

Tension/compression force transducer S-type
Models F2802, F2808

EN

Zug-/Druckkraftaufnehmer S-Typ
Typen F2802, F2808

DE



Example: Models F2802, F2808



Part of your business

EN Operating instructions models F2802, F2808 **Page** 3 - 24

DE Betriebsanleitung Typen F2802, F2808 **Seite** 25 - 48

© 07/2020 WIKA Alexander Wiegand SE & Co. KG

All rights reserved. / Alle Rechte vorbehalten.

WIKA® and tecsis® are registered trademarks in various countries.

WIKA® and tecsis® sind geschützte Marken in verschiedenen Ländern.

Prior to starting any work, read the operating instructions!

Keep for later use!

Vor Beginn aller Arbeiten Betriebsanleitung lesen!

Zum späteren Gebrauch aufbewahren!

Contents

1. General information	4
2. Design and function	5
2.1 Overview	5
2.2 Description	6
2.3 Scope of delivery	6
3. Safety	6
3.1 Explanation of symbols	6
3.2 Intended use	7
3.3 Improper use	8
3.4 Responsibility of the operator	8
3.5 Personnel qualification	9
3.6 Personal protective equipment	9
3.7 Labelling, safety marks	10
4. Transport, packaging and storage	11
4.1 Transport.	11
4.2 Packaging and storage	11
5. Commissioning, operation	12
5.1 Precautions before commissioning	12
5.2 Mounting instructions	12
5.3 Installation of the F2802 and F2808 tension/compression force transducer	13
5.4 Installation of the F2802 tension/compression force transducer with swivel	15
heads	15
5.5 Electrical connection.	17
5.6 Connecting an amplifier.	17
5.7 Pin assignment	17
6. Faults	18
7. Maintenance and cleaning	18
7.1 Maintenance	18
7.2 Cleaning	18
7.3 Recalibration	19
8. Dismounting, return and disposal	19
8.1 Dismounting	19
8.2 Return.	19
8.3 Disposal	19
9. Specifications	20
9.1 Approvals	23
Appendix: EU declaration of conformity	24

EN

1. General information

EN

- The tension/compression force transducers described in the operating instructions have been designed and manufactured using state-of-the-art technology. All components are subject to stringent quality and environmental criteria during production. Our management systems are certified to ISO 9001.
- These operating instructions contain important information on handling the instrument. Working safely requires that all safety instructions and work instructions are observed.
- Observe the relevant local accident prevention regulations and general safety regulations for the instrument's range of use.
- The operating instructions are part of the product and must be kept in the immediate vicinity of the instrument and readily accessible to skilled personnel at any time. Pass the operating instructions on to the next operator or owner of the instrument.
- Skilled personnel must have carefully read and understood the operating instructions prior to beginning any work.
- The general terms and conditions contained in the sales documentation shall apply.
- Subject to technical modifications.
- Factory calibrations / DKD/DakKS calibrations are carried out in accordance with international standards.

Further information:

- Internet address: www.wika.de
- Relevant data sheet: FO 51.48 (F2802)
FO 51.68 (F2808)
- Application consultant: Tel.: +49 9372 132-0
Fax: +49 9372 132-406
info@wika.de

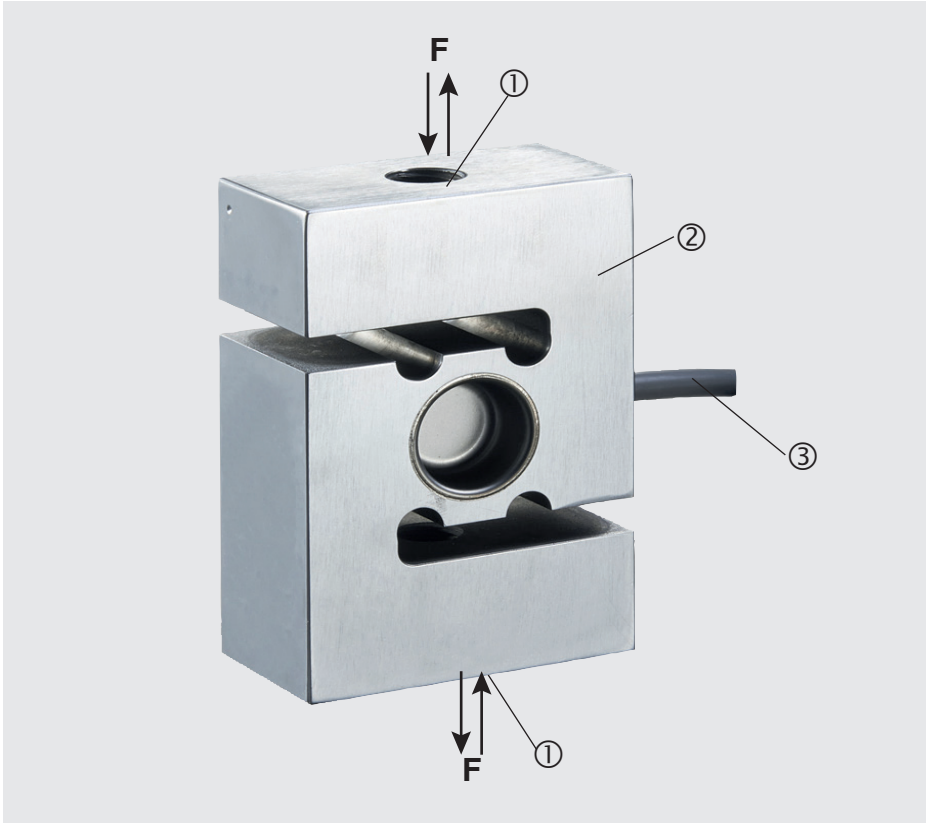
Abbreviations, definitions

2-wire	The two connection lines are used for the voltage supply. The measuring signal also provides the supply current.
3-wire	Two connection lines are used for the voltage supply. One connection line is used for the measuring signal.
UB+	Positive power supply terminal
UB-	Negative power supply terminal
S+	Positive output terminal
S-	Negative output terminal
Shield	Case

2. Design and function

2.1 Overview

- ① Force introduction
- ② Measuring spring
- ③ Electrical connection



2.2 Description

The tension/compression force transducer is designed for measuring static and dynamic tension/compression forces. The tension/compression force transducer consists of a measuring spring on which strain gauges (SGs) are applied. The measuring body is made of corrosion-resistant stainless steel and is elastically deformed by a tension/compression force introduced in the force direction. The resulting mechanical tensions are measured by the strain gauges and output as an electrical output signal. The strain gauges are arranged so that two of them are tensioned and the other two are compressed when a force is applied to the transducer. The pick-up circuit includes correction and compensation resistors to eliminate unwanted effects on the zero signal and characteristic value.

2.3 Scope of delivery

- Tension/compression force transducer
- Operating instructions

3. Safety

3.1 Explanation of symbols



WARNING!

... indicates a potentially dangerous situation that can result in serious injury or death, if not avoided.



CAUTION!

... indicates a potentially dangerous situation that can result in light injuries or damage to property or the environment, if not avoided.



Information

... points out useful tips, recommendations and information for efficient and trouble-free operation.

3.2 Intended use

The tension/compression force transducers are designed for measuring static and dynamic tension and/or compression forces.

Model	Version
F2802	Measuring ranges 0 ... 0.5 kN to 0 ... 50 kN
F2808	Measuring ranges 0 ... 5 N to 0 ... 2,000 N

These instruments have been designed and tested in accordance with the relevant safety regulations for electronic measuring instruments. Any usage outside of this is deemed to be improper. The perfect functioning and operational safety of the transducers can only be guaranteed when complying with the instructions given in the operating instructions. During its use, the legal and safety regulations (e.g. VDE 0100) required for the particular application must additionally be observed. This also applies accordingly when using accessories. Tension/compression force transducers are RoHS-compliant in accordance with directive 2011/65/EU. Faultless and safe operation of this transducer requires proper transport, professional storage, installation and mounting as well as careful operation and corrective maintenance.

The instrument has been designed and built solely for the intended use described here, and may only be used accordingly. Only use the device in applications that are within its technical performance limits (e.g. limit force, operating temperature range, ...). For performance limits, see chapter 9 „Technical data“. Improper handling or operation of the instrument outside of its technical specifications requires the instrument to be taken out of service immediately and inspected by an authorised service engineer.

Handle electronic precision measuring instruments with the required care (protect from humidity, impacts, strong magnetic fields, static electricity and extreme temperatures, do not insert any objects into the instrument or its openings). Plugs, wires and sockets must be protected from contamination.

The manufacturer shall not be liable for claims of any type based on operation contrary to the intended use.

3.3 Improper use

EN



WARNING!

Injuries through improper use

Improper use of the instrument can lead to hazardous situations and injuries.

- ▶ Refrain from unauthorised modifications to the instrument.

Any use beyond or different to the intended use is considered as improper use.

3.4 Responsibility of the operator

The instrument is used in the industrial sector. The operator is therefore responsible for legal obligations regarding safety at work.

The safety instructions within these operating instructions, as well as the safety, accident prevention and environmental protection regulations for the application area must be maintained.

The operator is obliged to maintain the product label in a legible condition.

To ensure safe working on the instrument, the operating company must ensure

- that suitable first-aid equipment is available and aid is provided whenever required.
- that the skilled electrical personnel are regularly instructed in all topics regarding work safety, first aid and environmental protection and know the operating instructions and in particular, the safety instructions contained therein.
- that the instrument is suitable for the particular application in accordance with its intended use.
- that personal protective equipment is available.

3.5 Personnel qualification



WARNING!

Risk of injury should qualification be insufficient

Improper handling can result in considerable injury and damage to equipment.

- ▶ The activities described in these operating instructions may only be carried out by skilled personnel who have the qualifications described below.

Skilled electrical personnel

Skilled electrical personnel are understood to be personnel who, based on their technical training, know-how and experience as well as their knowledge of country-specific regulations, current standards and directives, are capable of carrying out work on electrical systems and independently recognising and avoiding potential hazards. The skilled electrical personnel have been specifically trained for the work environment they are working in and know the relevant standards and regulations. The skilled electrical personnel must comply with current legal accident prevention regulations.

3.6 Personal protective equipment

The requirements for the required protective equipment result from the ambient conditions at the place of use, other products or the connection to other products.

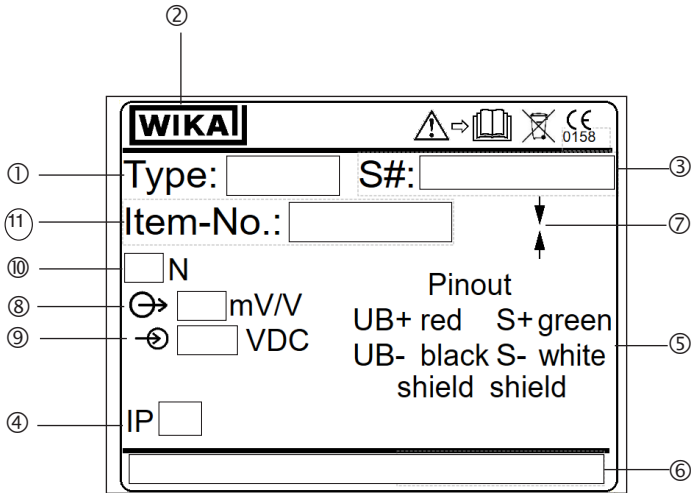
The requisite personal protective equipment must be provided by the operating company. The operator is in no way relieved of his obligations under labour law for the safety and the protection of workers' health.

The design of the personal protective equipment must take into account all operating parameters of the place of use.

3.7 Labelling, safety marks

Product label

EN



- ① Type
- ② Manufacturer logo
- ③ Serial number
- ④ Ingress protection per DIN EN 60529
- ⑤ Pin assignment
- ⑥ Manufacturer
- ⑦ Force direction
- ⑧ Supply voltage
- ⑨ Output signal
- ⑩ Measuring range
- ⑪ Item number

4. Transport, packaging and storage

4.1 Transport

Check the tension/compression force transducer for any damage that may have been caused by transport. Obvious damage must be reported immediately.



CAUTION!

Damage through improper transport

With improper transport, a high level of damage to property can occur.

- ▶ When unloading packed goods upon delivery as well as during internal transport, proceed carefully and observe the symbols on the packaging.
- ▶ With internal transport, observe the instructions in chapter 4.2 “Packaging and storage”.

As precision measuring instruments, transducers require careful handling during transport and mounting. Load impacts during transport (e.g. hitting a hard surface) can lead to permanent damage, resulting in measuring errors in the subsequent measuring operation.

4.2 Packaging and storage

Do not remove packaging until just before mounting.

Keep the packaging as it will provide optimum protection during transport (e.g. change in installation site, sending for repair).

Permissible conditions at the place of storage:

- Storage temperature: Follow the instructions given in chapter 9 “Specifications”
- Humidity: 35 ... 85 % relative humidity (non-condensing)

Avoid exposure to the following factors:

- Mechanical vibration, mechanical shock (putting it down hard)
- Dust, dirt, and other objects may not be deposited in such a way that they form a force shunt with the measuring spring, since this will falsify the measuring signal.

5. Commissioning, operation

5.1 Precautions before commissioning

EN

- Tension/compression force transducers are sensitive measuring instruments and must be handled with appropriate care.

5.2 Mounting instructions



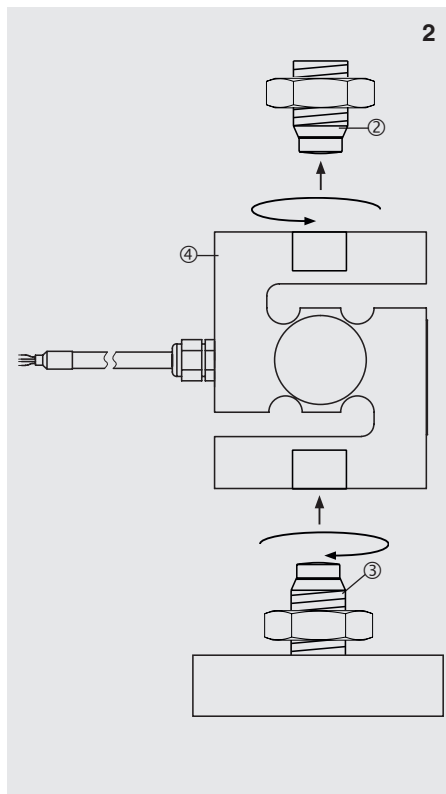
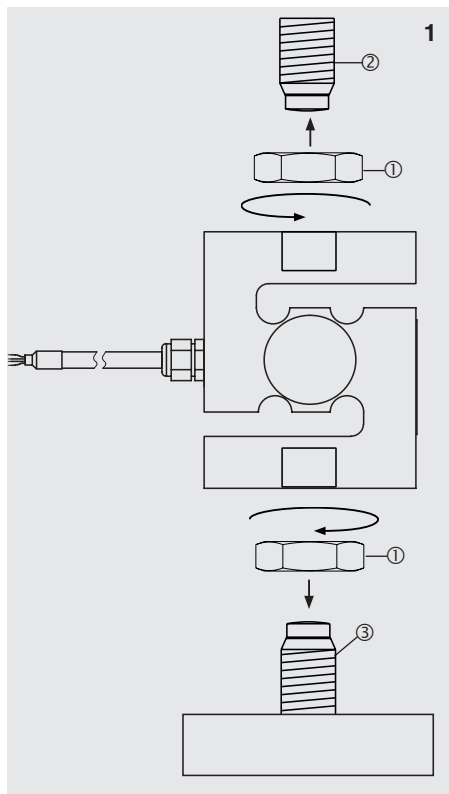
CAUTION!

Damage to the instrument through improper installation

- With the installation of the tension/compression force transducer, the installation position and the load direction must be considered.
- Torsional and transverse forces must be avoided. Transverse loads and lateral forces also include the corresponding components of the measurands that are introduced slanted.
- Torsional torques, eccentric loads and transverse loads or lateral forces cause measuring errors and may permanently damage the tension/compression force transducer.
- The installation of the tension/compression force transducer must not be made with any violent force.
- During installation of the tension/compression force transducer, the output signal (force value) must always be monitored to avoid mechanical overload.
- When subjected to loads in other devices, other than those planned in the application, a change in the zero signal may result in permanent damage.
- Do not use the tension/compression force transducer as a climbing aid.
- If high shear forces or lateral forces are to be expected, the use of swivel heads is recommended.

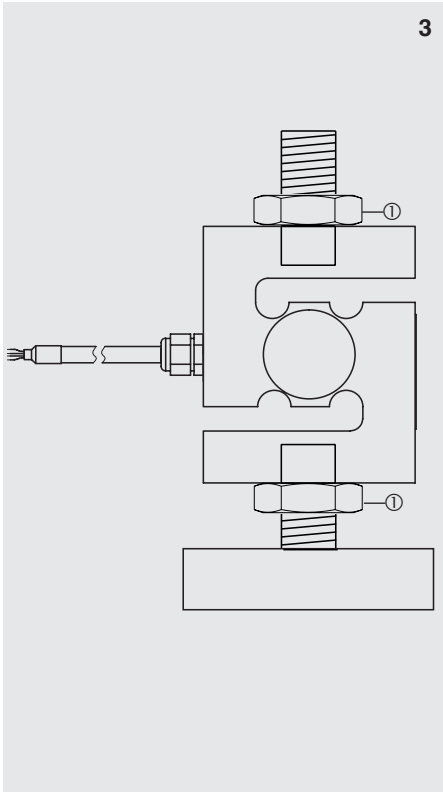
5.3 Installation of the F2802 and F2808 tension/compression force transducer

- ① Counter nuts (optional)
- ② Thread measuring object, matching part
- ③ Thread measuring object, matching part
- ④ Force transducer



If necessary, screw the counter nuts ① onto the threads of the measuring object ② and the counterpart of the measuring object ③.

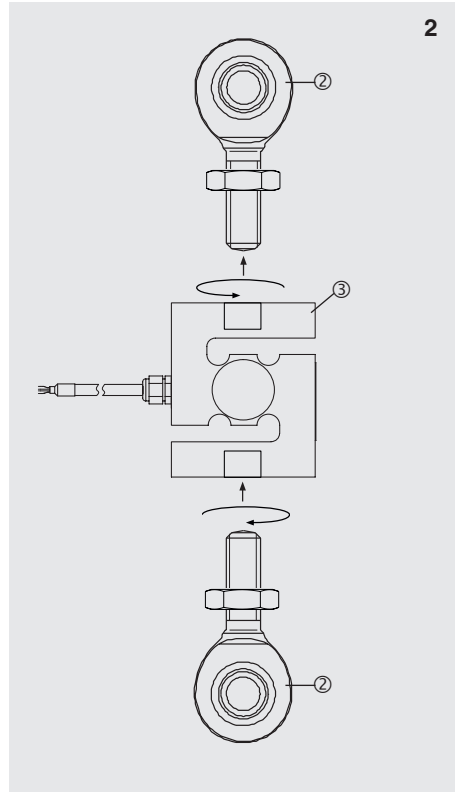
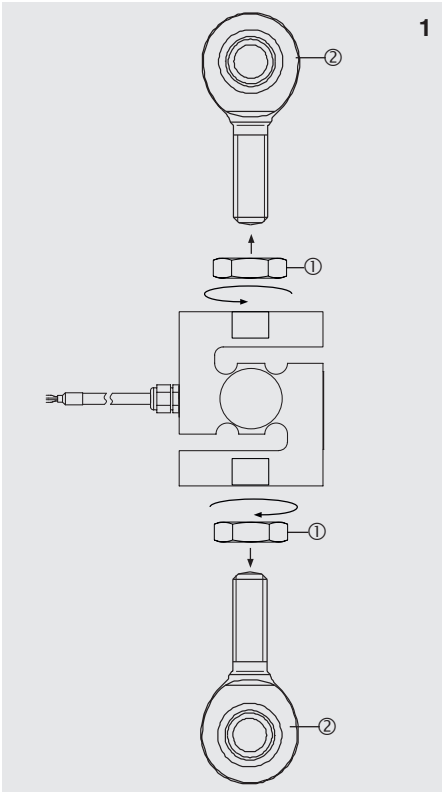
Screw the force transducer ④ onto the thread of the measuring object ② and onto the thread of the counterpart of the measuring object ③. If necessary, secure with counter nut ①. Observe the max. torque.



If necessary, secure with counter nut ①.
Observe the max. torque. On model
F2808, the counter nuts must not touch
the force transducer. Load force transducer.

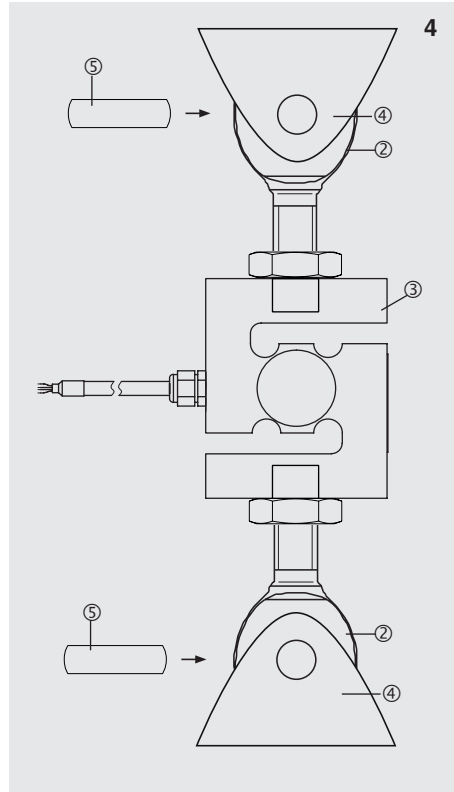
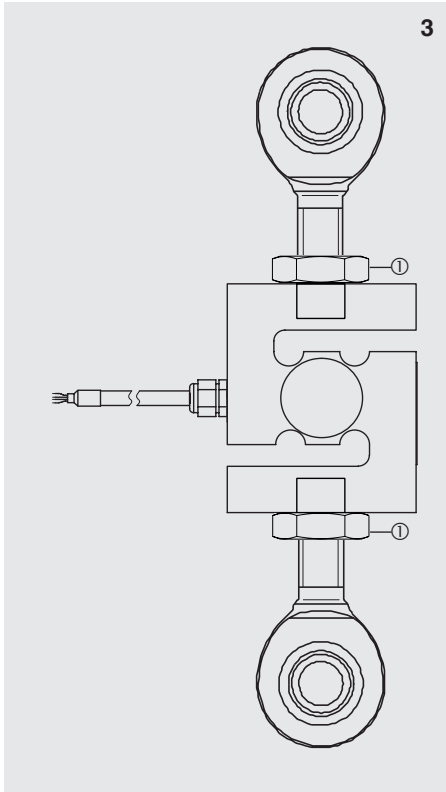
5.4 Installation of the F2802 tension/compression force transducer with swivel heads

- ① Counter nuts (optional)
- ② Swivel heads
- ③ Force transducer
- ④ Clamping system
- ⑤ Retaining bolt



If necessary, screw counter nuts ① on each thread of the swivel heads ②.

Screw the swivel heads ② into the force transducer ③.



Tighten counter nuts ①. Observe the max. torque.

Place the swivel heads ② in the clamping device ④ and fix with retaining bolts ⑤. The retaining bolts ⑤ must not restrict the free location of the force transducer ③. Load the force transducer ③.

5.5 Electrical connection

To prevent interferences from coupling into the system:

- Use only shielded and low-capacitance measuring cables.
- Ground the shield of the measuring cable.
- Connect the cable shield with the case of the tension/compression force transducer. In the cables of the accessories, the cable shield is connected by means of the knurled nut, thus connecting it to the case of the tension/compression force transducer.
- Do not install measuring cables in parallel to 3-phase-current cables and control cables.
- Avoid stray fields of transformers, motors and contactors.
- Transducers, amplifiers and processing or display units must not be grounded several times. Connect all instruments to the same protective conductor.

The pin assignment of the connector or of the cable can be found on the product label.

When using extensions, only shielded and low-capacitance cables should be used. The permitted maximum and minimum lengths of cable are defined in ISO 11898-2. Care should be taken about the shielding.

5.6 Connecting an amplifier

- The use of an amplifier is optionally possible.
- The amplifier is not included in delivery.
- The tension/compression force transducers described in these operating instructions output a signal in mV/V based on strain gauges.
- Any DC amplifiers and carrier amplifiers designed for strain gauge measuring systems can be used.

5.7 Pin assignment

Electrical connection - Cable assignment

Excitation voltage (+)	Red
Excitation voltage (-)	Black
Signal (+)	Green
Signal (-)	White
Shield ⊕	Shield

6. Faults

EN



CAUTION!

Physical injuries, damage to equipment

If faults cannot be eliminated by means of the measures listed, the tension/compression force transducer must be taken out of operation immediately.

- ▶ Contact the manufacturer.
- ▶ If a return is needed, please follow the instructions given in chapter 8.2 "Return".



For contact details see chapter 1 "General information" or the back page of the operating instructions.

7. Maintenance and cleaning



For contact details see chapter 1 "General information" or the back page of the operating instructions.

7.1 Maintenance

This instrument is maintenance-free.

Repairs must only be carried out by the manufacturer.
Only use original parts.

7.2 Cleaning

1. Prior to cleaning, disconnect the tension/compression force transducer from the voltage supply and dismount it.
2. Clean the tension/compression force transducer with a cloth.
Electrical connections must not come into contact with moisture!



CAUTION!

Damage to the instrument

Improper cleaning may lead to damage to the instrument!

- ▶ Do not use any aggressive cleaning agents.
- ▶ Do not use any hard or pointed objects for cleaning.

7.3 Recalibration

DKD/DAkkS certificate - official certificates:

We recommend that the tension/compression force transducer is recalibrated by the manufacturer at regular time intervals of approx. 24 months. The basic settings will be corrected if necessary.

8. Dismounting, return and disposal

8.1 Dismounting

Release the load from the tension/compression force transducer and disconnect from power. Remove the tension/compression force transducer from the mounting.

8.2 Return

Strictly observe the following when shipping the instrument:

All instruments delivered to WIKA must be free from any kind of hazardous substances (acids, bases, solutions, etc.) and must therefore be cleaned before being returned.

When returning the instrument, use the original packaging or a suitable transport packaging.

To avoid damage:

1. Wrap the instrument in an antistatic plastic film.
2. Place the instrument, along with shock-absorbent material, in the packaging.
Place shock-absorbent material evenly on all sides of the transport packaging.
3. If possible, place a bag containing a desiccant inside the packaging.
4. Label the shipment as carriage of a highly sensitive measuring instrument.



Information on returns can be found under the heading “Service” on our local website.

8.3 Disposal

Incorrect disposal can put the environment at risk.

Dispose of instrument components and packaging materials in an environmentally compatible way and in accordance with the country-specific waste disposal regulations.



Do not dispose of with household waste. Ensure a proper disposal in accordance with national regulations.

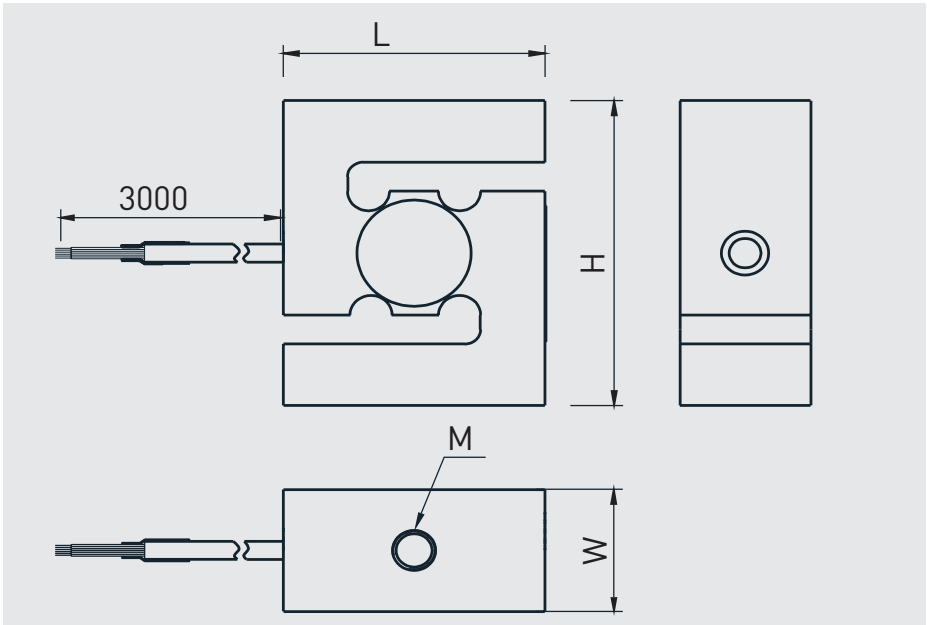
9. Specifications

Model F2802

Rated force F_{nom} kN	0.5, 1, 2, 5, 10, 20, 30, 50
Rated force F_{nom} kg	50, 100, 200, 500, 1,000, 2,000, 3,000, 5,000
Relative linearity error d_{lin}	
Steel	$\pm 0.03 \% F_{nom}$
Stainless steel	$\pm 0.05 \% F_{nom}$
Relative creep, 30 min.	
Steel	$\pm 0.03 \% F_{nom}$
Stainless steel	$\pm 0.05 \% F_{nom}$
Relative reversibility error v	
Steel	$\pm 0.03 \% F_{nom}$
Stainless steel	$\pm 0.05 \% F_{nom}$
Relative span in unchanged mounting position b_{rg}	
Steel	$\pm 0.03 \% F_{nom}$
Stainless steel	$\pm 0.05 \% F_{nom}$
Relative deviation of zero signal $d_{S,0}$	$\pm 2 \% F_{nom}$
Temperature effect on the zero signal TK_0	$\leq \pm 0.025 \% / 10^\circ C$
Temperature effect on the characteristic value TK_C	$\leq \pm 0.025 \% / 10^\circ C$
Limit force F_L	$150 \% F_{nom}$
Breaking force F_B	$200 \% F_{nom}$
Material of the measuring body	Stainless steel
Rated temperature range $B_{T, nom}$	$-10 \dots +40^\circ C$
Service temperature range $B_{T, G}$	$-20 \dots +80^\circ C$
Input resistance R_e	$385 \pm 30 \Omega$
Output resistance R_a	$350 \pm 5 \Omega$
Insulation resistance R_{is}	$\geq 5,000 M\Omega / DC 100 V$
Output signal (rated characteristic value) C_{nom}	$2.0 \pm 0.1 mV/V$
Electrical connection	Measuring cable $\varnothing 5 \times 3,000 mm$
Excitation voltage	$5 \dots 10V DC$
Ingress protection (per IEC/EN 60529)	IP65 ($< 5 kN$), IP67 ($\geq 5 kN$)
Weight in kg	
0.5 kN	0.3
1, 2 kN	0.5
50, 10 kN	0.5
20, 30 kN	1.3
50 kN	1.4

9. Specifications

Dimensions in mm



EN

Rated force in kN	Dimensions in mm			
	H	L	W	M
0.5	63.5	50.8	25.4	M8
1, 2	76.2	50.8	25.4	M12
5, 10	87.3	57.2	31	M12
20, 30	100	68.8	36.5	M24 x 2
50	114.3	76.2	36.5	M24 x 2

9. Specifications

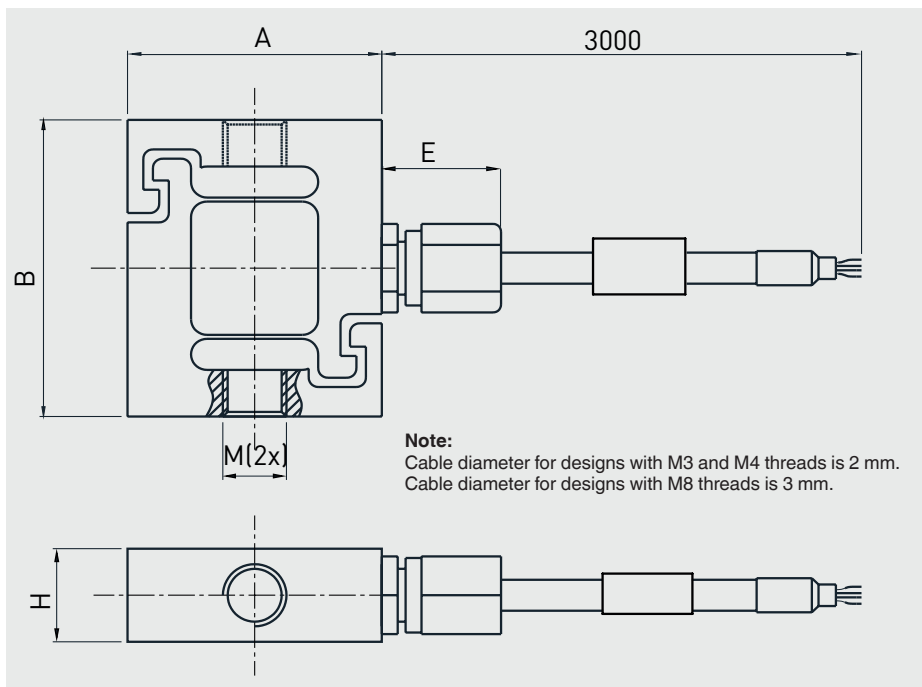
EN

Model F2808	
Rated force F_{nom} N	5 / 10 / 20 / 50 / 100 / 200 / 250 / 300 / 500 / 1,000 / 2,000
Relative linearity error d_{lin}	$\pm 0.15 \% F_{nom}$
Relative creep, 30 min.	$\pm 0.1 \% F_{nom}$
Relative reversibility error v	$\pm 0.1 \% F_{nom}$
Relative span in unchanged mounting position b_{rg}	$\pm 0.1 \% F_{nom}$
Relative deviation of zero signal $d_{S, 0}$	$\pm 2 \% F_{nom}$
Limit force F_L	150 % F_{nom}
Breaking force F_B	300 % F_{nom}
Material of the measuring body	Stainless steel
Rated temperature range $B_{T, nom}$	-10 ... +60 °C
Service temperature range $B_{T, G}$	-20 ... +80 °C
Input resistance R_e	380 \pm 30 Ω
Output resistance R_a	380 \pm 5 Ω
Insulation resistance R_{is}	$\geq 5,000$ M Ω /DC 100 V
Output signal (rated output) C_{nom}	
5 N	1.5 \pm 0.15 mV/V
≥ 10 N	2.0 \pm 0.2 mV/V
Electrical connection	
M3, M4	Cable $\varnothing 2$ x 3,000 mm
M8	Cable $\varnothing 3$ x 3,000 mm
Excitation voltage	DC 5 V (max. 7 V)
Ingress protection (per IEC/EN 60529)	IP66
Weight in kg	0.1

9. Specifications

EN

Dimensions in mm



Rated force in N	Dimensions in mm				
	M	H	A	B	E
5, 10, 20	M3	6	16	19.1	7.5
50, 100, 200, 300, 500	M4	6	16	19.1	13
250, 300, 500, 1,000, 2,000	M8	14	26	40	13

9.1 Approvals

Logo	Description	Country
	EU declaration of conformity ■ EMC directive ■ RoHS directive	European Union
	EAC ■ EMC directive	Eurasian Economic Community

ADPR1X9114114.02 04/2021 EN/DE



A division of the WIKAI Group

EU-Konformitätserklärung EU Declaration of Conformity

Dokument Nr.: ADEUKX300002.01
Document No.:

Wir erklären in alleiniger Verantwortung, dass die mit CE gekennzeichneten Produkte
We declare under our sole responsibility that the CE marked products

Typenbezeichnung: F2802*, F2808* (1)
Type Designation:

Beschreibung: Zug-/Druckkraftaufnehmer S-Type
Description: Tension/compression force transducer S-type

gemäß gültiger Betriebsanleitung:
according to the valid operating instructions: ADPR1X914114

die wesentlichen Schutzanforderungen der folgenden Richtlinien erfüllen: Harmonisierte Normen:
comply with the essential protection requirements of the directives: Harmonized standards:

2011/65/EU (2)	Gefährliche Stoffe (RoHS) <i>Hazardous substances (RoHS)</i>	EN 50581:2012
----------------	---	---------------

(1) * = mehrere alphanumerische Zeichen
* = *multiple alphanumeric letter*

(2) beinhaltet auch DELEGIERTE RICHTLINIE (EU) 2015/863
Including also DELEGATED DIRECTIVE (EU) 2015/863

Unterszeichnet für und im Namen von / *Signed for and on behalf of*

tecsis GmbH

Offenbach, 2019-05-29

Stefan Richter, Managing Director

Ralf Both, Engineering Manager

tecsis GmbH
Carl-Legien-Str. 40 - 44
63073 Offenbach am Main
Germany

Tel. +49 69 6806-0
Fax +49 69 6806-7786
E-Mail info@tecsis.de
www.tecsis.de

Sitz Offenbach - Offenbach am Main
Registernummer: HR B 40169
Geschäftsführer: Stefan Richter u. Thomas Steinbacher

Inhalt

1. Allgemeines	26
2. Aufbau und Funktion	27
2.1 Überblick	27
2.2 Beschreibung	28
2.3 Lieferumfang	28
3. Sicherheit	28
3.1 Symbolerklärung	28
3.2 Bestimmungsgemäße Verwendung	29
3.3 Fehlgebrauch	30
3.4 Verantwortung des Betreibers.	30
3.5 Personalqualifikation.	31
3.6 Persönliche Schutzausrüstung	31
3.7 Beschilderung, Sicherheitskennzeichnungen	32
4. Transport, Verpackung und Lagerung	33
4.1 Transport.	33
4.2 Verpackung und Lagerung	33
5. Inbetriebnahme, Betrieb	34
5.1 Vorkehrung vor der Inbetriebnahme.	34
5.2 Montagehinweise	34
5.3 Montage des Zug-/Druckkraftaufnehmers F2802 und F2808	35
5.4 Montage des Zug-/Druckkraftaufnehmers mit Gelenkköpfen F2802	37
5.5 Elektrischer Anschluss	39
5.6 Anschluss eines Messverstärkers	39
5.7 Anschlussbelegung	39
6. Störungen	40
7. Wartung und Reinigung	40
7.1 Wartung	40
7.2 Reinigung	40
7.3 Rekalibrierung	41
8. Demontage, Rücksendung und Entsorgung	41
8.1 Demontage	41
8.2 Rücksendung	41
8.3 Entsorgung	41
9. Technische Daten	42
9.1 Zulassungen	46
Anlage: EU-Konformitätserklärung	47

DE

1. Allgemeines

- Die in der Betriebsanleitung beschriebenen Zug-/Druckkraftaufnehmer werden nach dem aktuellen Stand der Technik konstruiert und gefertigt. Alle Komponenten unterliegen während der Fertigung strengen Qualitäts- und Umweltkriterien. Unsere Managementsysteme sind nach ISO 9001 zertifiziert.
- Diese Betriebsanleitung gibt wichtige Hinweise zum Umgang mit dem Gerät. Voraussetzung für sicheres Arbeiten ist die Einhaltung aller angegebenen Sicherheitshinweise und Handlungsanweisungen.
- Die für den Einsatzbereich des Gerätes geltenden örtlichen Unfallverhütungsvorschriften und allgemeinen Sicherheitsbestimmungen einhalten.
- Die Betriebsanleitung ist Produktbestandteil und muss in unmittelbarer Nähe des Gerätes für das Fachpersonal jederzeit zugänglich aufbewahrt werden. Betriebsanleitung an nachfolgende Benutzer oder Besitzer des Gerätes weitergeben.
- Das Fachpersonal muss die Betriebsanleitung vor Beginn aller Arbeiten sorgfältig durchgelesen und verstanden haben.
- Es gelten die allgemeinen Geschäftsbedingungen in den Verkaufsunterlagen.
- Technische Änderungen vorbehalten.
- Werkskalibrierungen / DKD/DAkkS-Kalibrierungen erfolgen nach internationalen Normen.

Weitere Informationen:

- Internet-Adresse: www.wika.de
- Zugehöriges Datenblatt: FO 51.48 (F2802)
FO 51.68 (F2808)
- Anwendungsberater: Tel.: +49 9372 132-0
Fax: +49 9372 132-406
info@wika.de

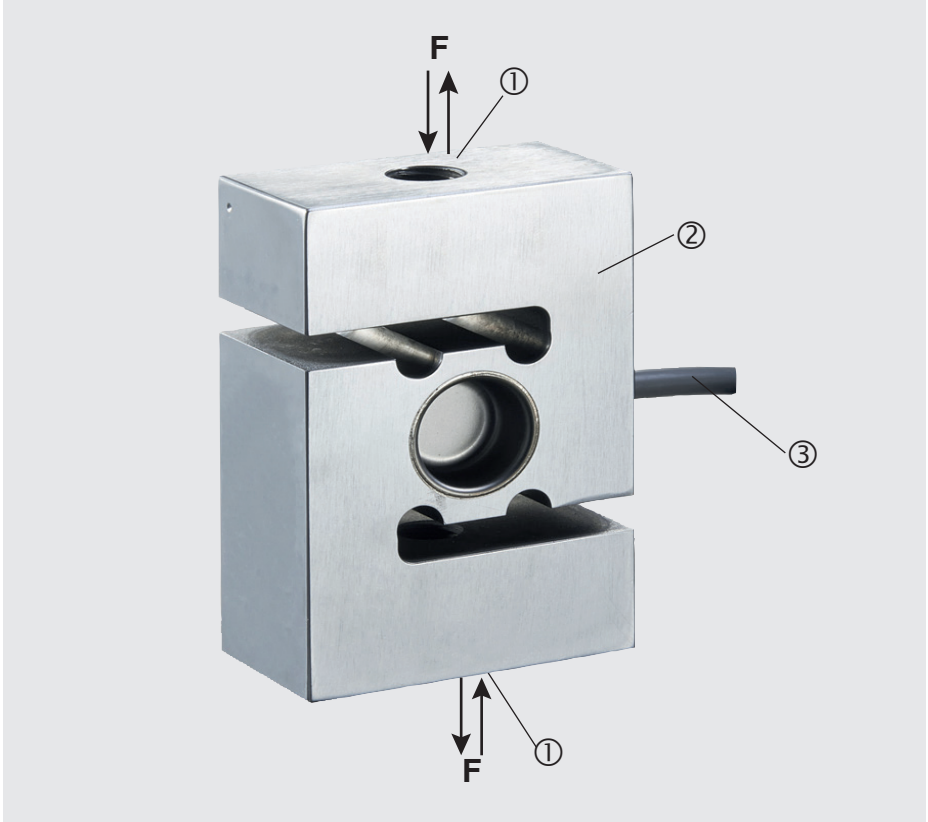
Abkürzungen, Definitionen

2-Leiter	Die zwei Anschlussleitungen dienen zur Spannungsversorgung. Der Speisestrom ist das Messsignal.
3-Leiter	Zwei Anschlussleitungen dienen zur Spannungsversorgung. Eine Anschlussleitung dient für das Messsignal.
UB+	Positiver Versorgungsanschluss
UB-	Negativer Versorgungsanschluss
S+	Positiver Messanschluss
S-	Negativer Messanschluss
Schirm	Gehäuse

2. Aufbau und Funktion

2.1 Überblick

- ① Krafteinleitung
- ② Messfeder
- ③ Elektrischer Anschluss



2.2 Beschreibung

Der Zug-/Druckkraftaufnehmer ist für das Messen statischer und dynamischer Zug-/Druckkräfte vorgesehen. Der Zug-/Druckkraftaufnehmer besteht aus einer Messfeder auf der Dehnungsmessstreifen (DMS) aufgebracht sind. Der Messkörper ist aus korrosionsbeständigem CrNi-Stahl gefertigt und wird durch in die Krafrichtung eingeleitete Zug-/Druckkraft elastisch verformt. Die entstehenden mechanischen Spannungen werden dabei durch die Dehnungsmessstreifen gemessen und als elektrisches Ausgangssignal ausgegeben. Die DMS sind so angeordnet, dass zwei von ihnen gedehnt und die zwei anderen gestaucht werden, wenn eine Kraft auf den Aufnehmer einwirkt. Die Aufnehmerschaltung enthält Korrektur- und Kompensationswiderstände, um unerwünschte Einflüsse auf Nullsignal und Kennwert zu beseitigen.

DE

2.3 Lieferumfang

- Zug-/Druckkraftaufnehmer
- Betriebsanleitung

3. Sicherheit

3.1 Symbolerklärung



WARNUNG!

... weist auf eine möglicherweise gefährliche Situation hin, die zum Tod oder zu schweren Verletzungen führen kann, wenn sie nicht gemieden wird.



VORSICHT!

... weist auf eine möglicherweise gefährliche Situation hin, die zu geringfügigen oder leichten Verletzungen bzw. Sach- und Umweltschäden führen kann, wenn sie nicht gemieden wird.



Information

... hebt nützliche Tipps und Empfehlungen sowie Informationen für einen effizienten und störungsfreien Betrieb hervor.

3.2 Bestimmungsgemäße Verwendung

Die Zug-/Druckkraftaufnehmer sind für das Messen statischer und dynamischer Zug- und/oder Druckkräfte vorgesehen.

Typ	Ausführung
F2802	Messbereiche 0 ... 0,5 kN bis 0 ... 50 kN
F2808	Messbereiche 0 ... 5 N bis 0 ... 2.000 N

Diese Geräte sind gemäß den Sicherheitsbestimmungen für elektronische Messgeräte gebaut und geprüft. Jeder darüber hinausgehende Gebrauch gilt als nicht bestimmungsgemäß. Die einwandfreie Funktion und Betriebssicherheit der Aufnehmer kann nur bei Einhaltung der Angaben in der Betriebsanleitung garantiert werden. Bei der Verwendung sind zusätzlich die für den jeweiligen Anwendungsfall erforderlichen Rechts- und Sicherheitsvorschriften zu beachten (z. B. VDE 0100). Sinngemäß gilt dies auch bei Verwendung von Zubehör. Zug-/Druckkraftaufnehmer sind RoHS-konform gem. Richtlinie 2011/65/EU. Der einwandfreie und sichere Betrieb dieses Aufnehmers setzt sachgemäßen Transport, fachgerechte Lagerung, Aufstellung und Montage sowie sorgfältige Bedienung und Instandhaltung voraus.

Das Gerät ist ausschließlich für den hier beschriebenen bestimmungsgemäßen Verwendungszweck konzipiert und konstruiert und darf nur dementsprechend verwendet werden. Das Gerät nur in Anwendungen verwenden, die innerhalb seiner technischen Leistungsgrenzen liegen (z. B. Grenzkraft, Gebrauchstemperaturbereich, ...). Leistungsgrenzen siehe Kapitel 9 „Technische Daten“. Eine unsachgemäße Handhabung oder ein Betreiben des Gerätes außerhalb der technischen Spezifikationen macht die sofortige Stilllegung und Überprüfung durch einen autorisierten Servicemitarbeiter erforderlich.

Elektronische Präzisionsmessgeräte mit erforderlicher Sorgfalt behandeln (vor Nässe, Stößen, starken Magnetfeldern, statischer Elektrizität und extremen Temperaturen schützen, keine Gegenstände in das Gerät bzw. Öffnungen einführen). Stecker, Litzen und Buchsen vor Verschmutzung schützen.

Ansprüche jeglicher Art aufgrund von nicht bestimmungsgemäßer Verwendung sind ausgeschlossen.

3.3 Fehlgebrauch



WARNUNG!

Verletzungen durch Fehlgebrauch

Fehlgebrauch des Gerätes kann zu gefährlichen Situationen und Verletzungen führen.

- ▶ Eigenmächtige Umbauten am Gerät unterlassen.

DE

Jede über die bestimmungsgemäße Verwendung hinausgehende oder andersartige Benutzung gilt als Fehlgebrauch.

3.4 Verantwortung des Betreibers

Das Gerät wird im gewerblichen Bereich eingesetzt. Der Betreiber unterliegt daher den gesetzlichen Pflichten zur Arbeitssicherheit.

Die Sicherheitshinweise dieser Betriebsanleitung, sowie die für den Einsatzbereich des Gerätes gültigen Sicherheits-, Unfallverhütungs- und Umweltschutzvorschriften einhalten.

Der Betreiber ist verpflichtet das Typenschild lesbar zu halten.

Für ein sicheres Arbeiten am Gerät muss der Betreiber sicherstellen,

- dass eine entsprechende Erste-Hilfe-Ausrüstung vorhanden ist und bei Bedarf jederzeit Hilfe zur Stelle ist.
- dass das Elektrofachpersonal regelmäßig in allen zutreffenden Fragen von Arbeitssicherheit, Erste Hilfe und Umweltschutz unterwiesen wird, sowie die Betriebsanleitung und insbesondere die darin enthaltenen Sicherheitshinweise kennt.
- dass das Gerät gemäß der bestimmungsgemäßen Verwendung für den Anwendungsfall geeignet ist.
- dass die persönliche Schutzausrüstung verfügbar ist.

3.5 Personalqualifikation



WARNUNG!

Verletzungsgefahr bei unzureichender Qualifikation

Unsachgemäßer Umgang kann zu erheblichen Personen- und Sachschäden führen.

- ▶ Die in dieser Betriebsanleitung beschriebenen Tätigkeiten nur durch Fachpersonal nachfolgend beschriebener Qualifikation durchführen lassen.

DE

Elektrofachpersonal

Das Elektrofachpersonal ist aufgrund seiner fachlichen Ausbildung, Kenntnisse und Erfahrungen sowie Kenntnis der landesspezifischen Vorschriften, geltenden Normen und Richtlinien in der Lage, Arbeiten an elektrischen Anlagen auszuführen und mögliche Gefahren selbstständig zu erkennen und zu vermeiden. Das Elektrofachpersonal ist speziell für das Arbeitsumfeld, in dem es tätig ist, ausgebildet und kennt die relevanten Normen und Bestimmungen. Das Elektrofachpersonal muss die Bestimmungen der geltenden gesetzlichen Vorschriften zur Unfallverhütung erfüllen.

3.6 Persönliche Schutzausrüstung

Anforderungen an benötigte Schutzausrüstung ergeben sich aus den Umgebungsbedingungen am Ort der Nutzung, anderen Produkten oder der Verknüpfung mit anderen Produkten.

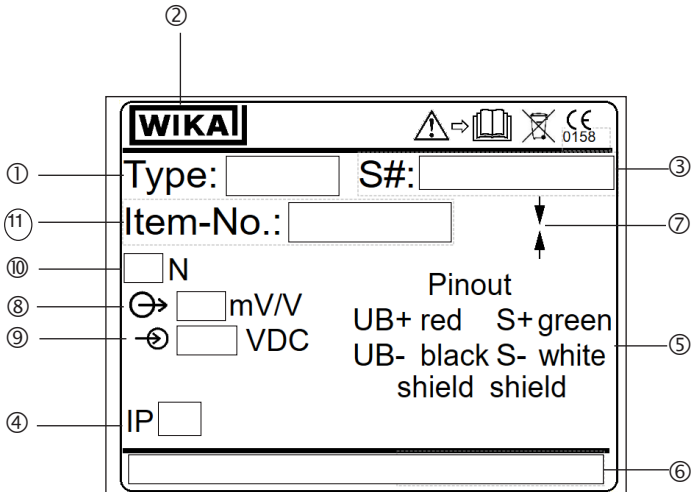
Die erforderliche persönliche Schutzausrüstung muss vom Betreiber zur Verfügung gestellt werden. Der Betreiber wird durch diese Vorschläge in keiner Weise von seinen arbeitsrechtlichen Pflichten zur Sicherheit und dem Schutz der Gesundheit der Arbeitnehmer entbunden.

Die Bemessung der persönlichen Schutzausrüstung muss unter Berücksichtigung aller Betriebsparameter des Einsatzortes erfolgen.

3.7 Beschilderung, Sicherheitskennzeichnungen

Typenschild

DE



- ① Typ
- ② Herstellerlogo
- ③ Seriennummer
- ④ Schutzart gem. DIN EN 60259
- ⑤ Anschlussbelegung
- ⑥ Hersteller
- ⑦ Krafttrichtung
- ⑧ Speisespannung
- ⑨ Ausgangssignal
- ⑩ Messbereich
- ⑪ Artikel-Nr,

4. Transport, Verpackung und Lagerung

4.1 Transport

Den Zug-/Druckkraftaufnehmer auf eventuell vorhandene Transportschäden untersuchen. Offensichtliche Schäden unverzüglich mitteilen.



VORSICHT!

Beschädigungen durch unsachgemäßen Transport

Bei unsachgemäßem Transport können Sachschäden in erheblicher Höhe entstehen.

- ▶ Beim Abladen der Packstücke bei Anlieferung sowie innerbetrieblichem Transport vorsichtig vorgehen und die Symbole auf der Verpackung beachten.
- ▶ Bei innerbetrieblichem Transport die Hinweise unter Kapitel 4.2 „Verpackung und Lagerung“ beachten.

Als Präzisionsmessgeräte verlangen die Aufnehmer beim Transport und der Montage eine sorgfältige Handhabung. Laststöße während des Transports (z. B. Aufschlag auf harten Untergrund) können zu bleibenden Schäden führen, die im späteren Messbetrieb zu Messfehlern führen.

4.2 Verpackung und Lagerung

Verpackung erst unmittelbar vor der Montage entfernen.

Die Verpackung aufbewahren, denn diese bietet bei einem Transport einen optimalen Schutz (z. B. wechselnder Einbauort, Reparatursendung).

Zulässige Bedingungen am Lagerort:

- Lagertemperatur: Hinweise unter Kapitel 9 „Technische Daten“
- Feuchtigkeit: 35 ... 85 % relative Feuchte (keine Betauung)

Folgende Einflüsse vermeiden:

- Mechanische Vibration, mechanischer Schock (hartes Aufstellen)
- Staub, Schmutz und sonstige Gegenstände dürfen sich nicht so ablagern, dass sie einen Kraftnebenschluss zur Messfeder bilden, da dadurch das Messsignal verfälscht wird.

5. Inbetriebnahme, Betrieb

5.1 Vorkehrung vor der Inbetriebnahme

- Zug-/Druckkraftaufnehmer sind empfindliche Messgeräte und entsprechend sorgsam zu behandeln.

DE

5.2 Montagehinweise



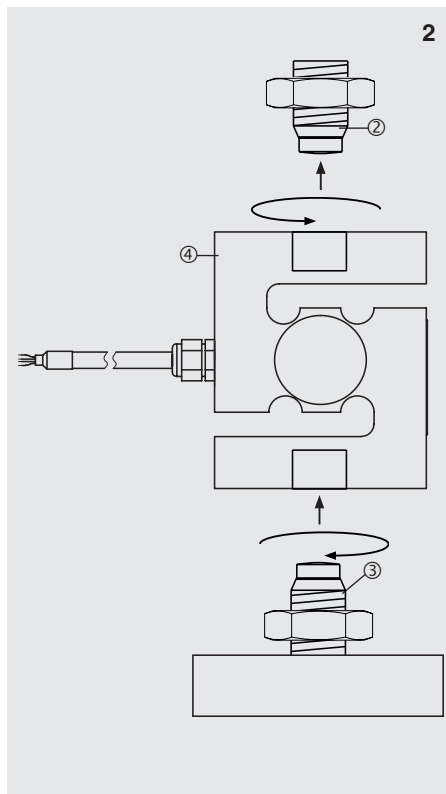
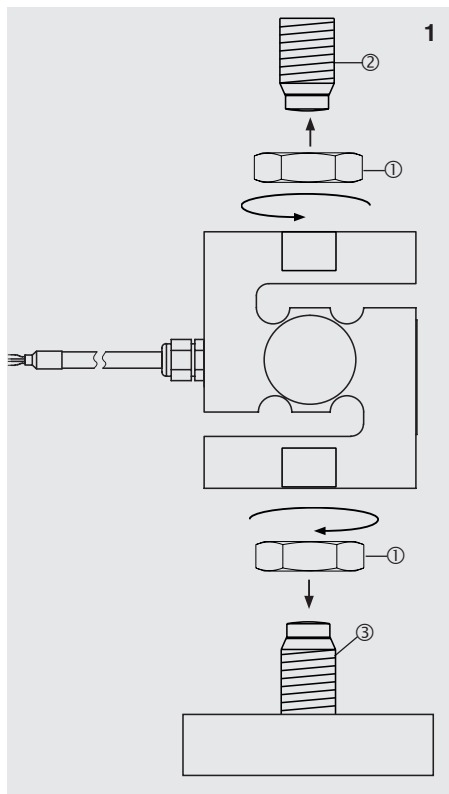
VORSICHT!

Beschädigung des Gerätes durch unsachgemäße Montage

- Beim Einbau des Zug-/Druckkraftaufnehmers ist auf die Einbaulage und die Belastungsrichtung zu achten.
- Torsions- und Querkräfte sind zu vermeiden. Zu den Querbelastungen und Seitenkräften gehören auch die entsprechenden Komponenten der eventuell schräg eingeleiteten Messgrößen.
- Torsionsmomente, außermittige Belastungen und Querbelastungen bzw. Seitenkräfte verursachen Messfehler und können den Zug-/Druckkraftaufnehmer bleibend schädigen.
- Die Montage des Zug-/Druckkraftaufnehmers darf nicht mit Gewalteinwirkung erfolgen.
- Während des Einbaus des Zug-/Druckkraftaufnehmers ist das Ausgangssignal (Kraftwert) stets zu überwachen, um eine mechanische Überlastung zu vermeiden.
- Bei Belastung in anderen Vorrichtungen als in der Applikation vorgesehen, kann eine Veränderung des Nullsignals eine dauerhafte Schädigung zur Folge haben.
- Den Zug-/Druckkraftaufnehmer nicht als Steighilfe verwenden.
- Sind hohe Querkräfte bzw. Seitenkräfte zu erwarten, empfiehlt sich der Einsatz von Gelenkköpfen.

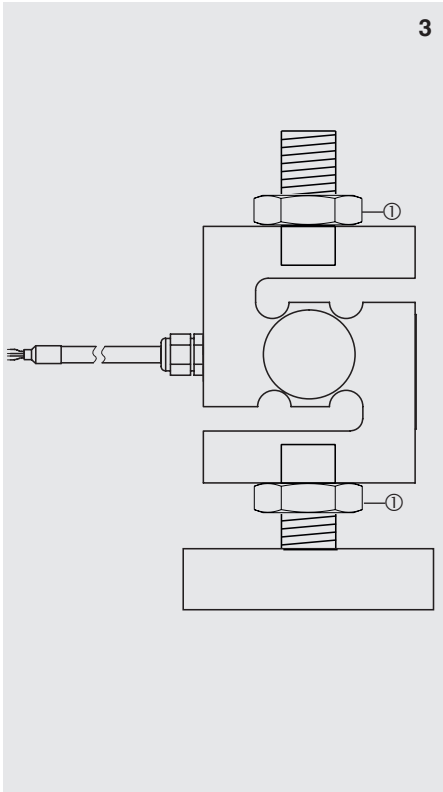
5.3 Montage des Zug-/Druckkraftaufnehmers F2802 und F2808

- ① Kontermuttern (optional)
- ② Gewinde Messobjekt
- ③ Gewinde Gegenstück Messobjekt
- ④ Kraftaufnehmer



Bei Bedarf Kontermuttern ① auf die Gewinde des Messobjektes ② und Gegenstück des Messobjektes ③ aufschrauben.

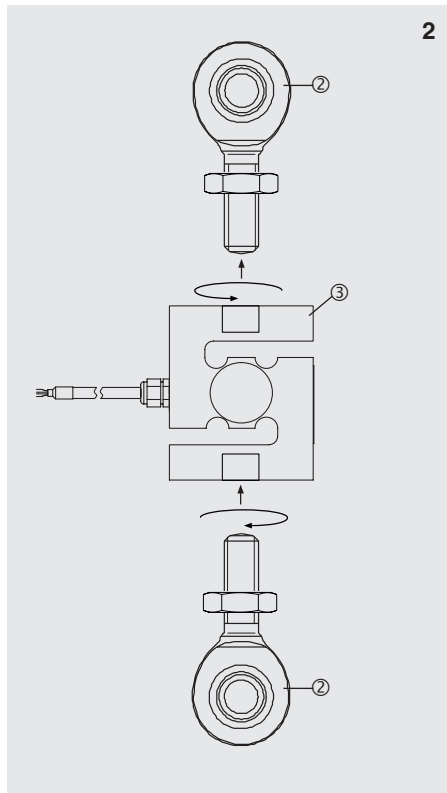
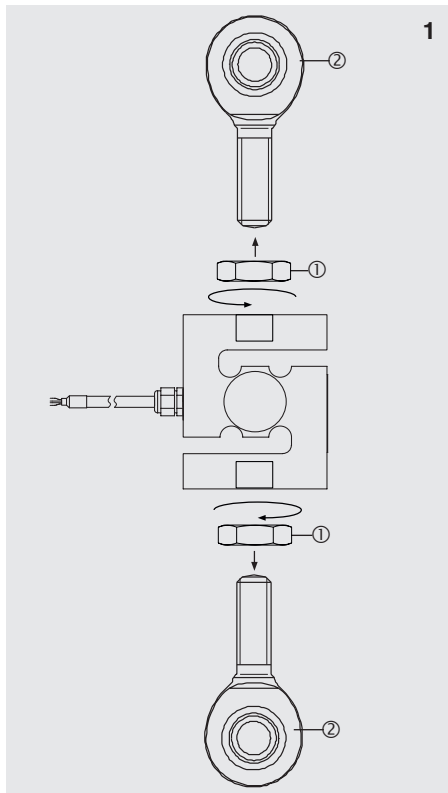
Kraftaufnehmer ④ auf das Gewinde des Messobjektes ② und auf das Gewinde des Gegenstückes des Messobjektes ③ aufschrauben. Bei Bedarf mit Kontermutter ① kontern. Max. Drehmoment beachten.



Bei Bedarf mit Kontermutter ① kontern.
Max. Drehmoment beachten. Bei dem Typ
F2808 dürfen die Kontermuttern nicht den
Kraftaufnehmer berühren. Kraftaufnehmer
belasten.

5.4 Montage des Zug-/Druckkraftaufnehmers mit Gelenkköpfen F2802

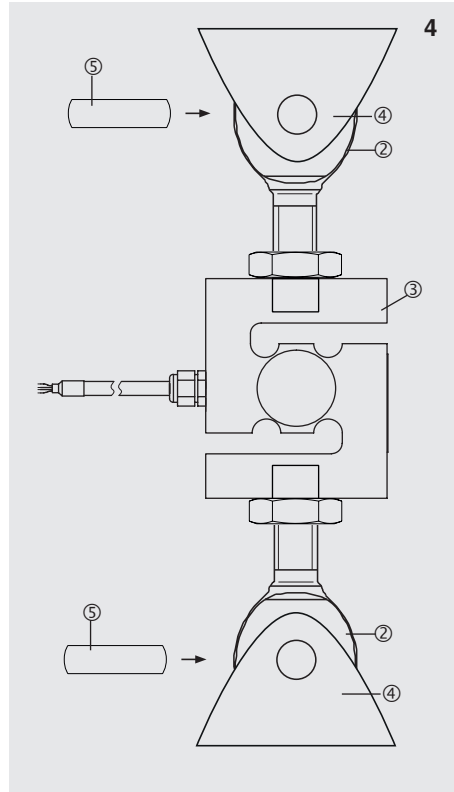
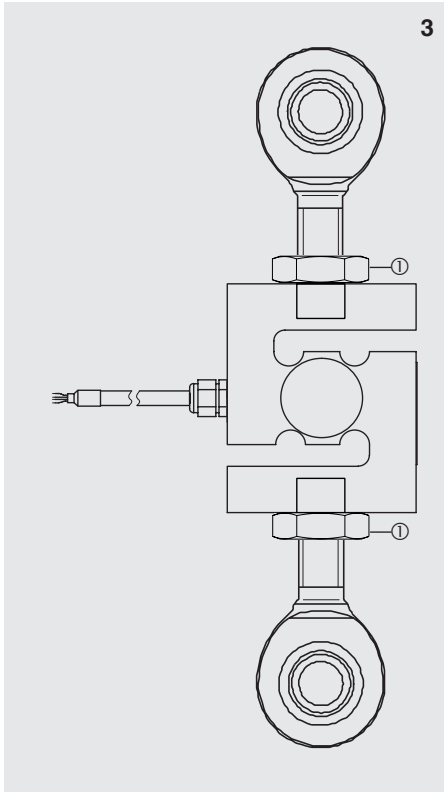
- ① Kontermuttern (optional)
- ② Gelenkköpfe
- ③ Kraftaufnehmer
- ④ Haltevorrichtung
- ⑤ Haltebolzen



DE

Bei Bedarf Kontermuttern ① auf je ein Gewinde der Gelenkköpfe ② aufschrauben.

Gelenkköpfe ② in den Kraftaufnehmer ③ einschrauben.



Kontermuttern ① kontern. Max. Drehmoment beachten.

Gelenkköpfe ② in Haltevorrichtungen ④ positionieren und mit Haltebolzen ⑤ fixieren. Die Haltebolzen ⑤ dürfen die freie Lagerung des Kraftaufnehmers ③ nicht beeinträchtigen. Kraftaufnehmer ③ belasten.

5.5 Elektrischer Anschluss

Um Einkopplungen von Störungen zu vermeiden:

- Nur abgeschirmte, kapazitätsarme Messkabel verwenden.
- Schirm des Messkabels erden.
- Kabelschirm mit dem Gehäuse des Zug-/Druckkraftaufnehmers verbinden. Bei den Zuhörkabeln ist der Kabelschirm mit der Rändelmutter und damit mit dem Gehäuse des Zug-/Druckkraftaufnehmers verbunden.
- Messkabel nicht parallel zu Starkstrom- und Steuerleitungen legen.
- Streufelder von Transformatoren sowie Motoren und Schützen vermeiden.
- Aufnehmer, Verstärker und Verarbeitungs- bzw. Anzeigeeinheit dürfen nicht mehrfach geerdet werden. Alle Geräte an den selben Schutzleiter anschließen.

Die Anschlussbelegung des Steckers oder des Kabels ist dem Typenschild zu entnehmen.

Beim Verlängern dürfen nur abgeschirmte und kapazitätsarme Kabel verwendet werden. Die erlaubten maximalen und minimalen Längen des Kabels sind in der ISO 11898-2 angegeben. Dabei ist auf die Abschirmung zu achten.

5.6 Anschluss eines Messverstärkers

- Die Verwendung eines Messverstärkers ist optional möglich.
- Der Messverstärker ist nicht im Lieferumfang enthalten.
- Die in dieser Betriebsanleitung beschriebenen Zug-/Druckkraftaufnehmer geben auf Basis von Dehnungsmessstreifen ein Signal in mV/V aus.
- Es können alle Gleichspannungsverstärker und Trägerfrequenzverstärker verwendet werden, die für DMS-Messsysteme ausgelegt sind.

5.7 Anschlussbelegung

Elektrischer Anschluss - Kabelbelegung

Speisespannung (+)	Rot
Speisespannung (-)	Schwarz
Signal (+)	Grün
Signal (-)	Weiß
Schirm ⊕	Schirm

6. Störungen



VORSICHT!

Körperverletzungen, Sachschäden

Können Störungen mit Hilfe der aufgeführten Maßnahmen nicht beseitigt werden, den Zug-/Druckkraftaufnehmer unverzüglich außer Betrieb setzen.

- ▶ Kontakt mit dem Hersteller aufnehmen.
- ▶ Bei notwendiger Rücksendung die Hinweise unter Kapitel 8.2 „Rücksendung“ beachten.



Kontaktdaten siehe Kapitel 1 „Allgemeines“ oder Rückseite der Betriebsanleitung.

DE

7. Wartung und Reinigung



Kontaktdaten siehe Kapitel 1 „Allgemeines“ oder Rückseite der Betriebsanleitung.

7.1 Wartung

Dieses Gerät ist wartungsfrei.

Reparaturen sind ausschließlich vom Hersteller durchzuführen.
Nur Originalteile verwenden.

7.2 Reinigung

1. Vor der Reinigung den Zug-/Druckkraftaufnehmer ordnungsgemäß von der Spannungsversorgung trennen und ausbauen.
2. Den Zug-/Druckkraftaufnehmer mit einem Tuch reinigen.
Elektrische Anschlüsse nicht mit Feuchtigkeit in Berührung bringen!



VORSICHT!

Beschädigung des Gerätes

Eine unsachgemäße Reinigung führt zur Beschädigung des Gerätes!

- ▶ Keine aggressiven Reinigungsmittel verwenden.
- ▶ Keine harten und spitzen Gegenstände zur Reinigung verwenden.

7.3 Rekalibrierung

DKD/DAkKS-Schein - amtliche Bescheinigungen:

Es wird empfohlen, den Zug-/Druckkraftaufnehmer in regelmäßigen Zeitabständen von ca. 24 Monaten durch den Hersteller rekalibrieren zu lassen. Die Grundeinstellungen werden wenn notwendig korrigiert.

8. Demontage, Rücksendung und Entsorgung

8.1 Demontage

Den Zug-/Druckkraftaufnehmer entlasten und vom Strom trennen. Den Zug-/Druckkraftaufnehmer aus der Einbausituation entfernen.

8.2 Rücksendung

Beim Versand des Gerätes unbedingt beachten:

Alle an WIKA gelieferten Geräte müssen frei von Gefahrstoffen (Säuren, Laugen, Lösungen, etc.) sein und sind daher vor der Rücksendung zu reinigen.

Zur Rücksendung des Gerätes die Originalverpackung oder eine geeignete Transportverpackung verwenden.

Um Schäden zu vermeiden:

1. Das Gerät in eine antistatische Plastikfolie einhüllen.
2. Das Gerät mit dem Dämmmaterial in der Verpackung platzieren.
Zu allen Seiten der Transportverpackung gleichmäßig dämmen.
3. Wenn möglich einen Beutel mit Trocknungsmittel der Verpackung beifügen.
4. Sendung als Transport eines hochempfindlichen Messgerätes kennzeichnen.



Hinweise zur Rücksendung befinden sich in der Rubrik „Service“ auf unserer lokalen Internetseite.

8.3 Entsorgung

Durch falsche Entsorgung können Gefahren für die Umwelt entstehen. Gerätekomponten und Verpackungsmaterialien entsprechend den landesspezifischen Abfallbehandlungs- und Entsorgungsvorschriften umweltgerecht entsorgen.



Nicht mit dem Hausmüll entsorgen. Für eine geordnete Entsorgung gemäß nationaler Vorgaben sorgen.

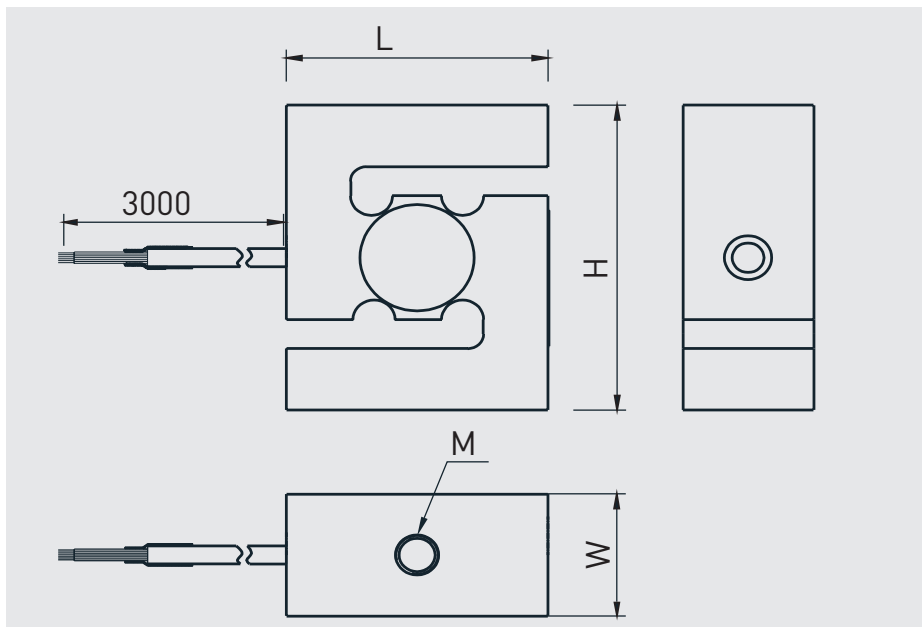
9. Technische Daten

Typ F2802	
Nennkraft F_{nom} kN	0,5, 1, 2, 5, 10, 20, 30, 50
Nennkraft F_{nom} kg	50, 100, 200, 500, 1.000, 2.000, 3.000, 5.000
Relative Linearitätsabweichung d_{lin}	
Stahl	$\pm 0,03 \% F_{nom}$
CrNi-Stahl	$\pm 0,05 \% F_{nom}$
Relatives Kriechen, 30 min.	
Stahl	$\pm 0,03 \% F_{nom}$
CrNi-Stahl	$\pm 0,05 \% F_{nom}$
Relative Umkehrspanne v	
Stahl	$\pm 0,03 \% F_{nom}$
CrNi-Stahl	$\pm 0,05 \% F_{nom}$
Relative Spannweite in unveränderter Einbaulage b_{rg}	
Stahl	$\pm 0,03 \% F_{nom}$
CrNi-Stahl	$\pm 0,05 \% F_{nom}$
Relative Abweichung des Nullsignals $d_{S, 0}$	$\pm 2 \% F_{nom}$
Temperatureinfluss auf das Nullsignal TK_0	$\leq \pm 0,025 \% / 10 \text{ }^\circ\text{C}$
Temperatureinfluss auf den Kennwert TK_C	$\leq \pm 0,025 \% / 10 \text{ }^\circ\text{C}$
Grenzkraft F_L	$150 \% F_{nom}$
Bruchkraft F_B	$200 \% F_{nom}$
Werkstoff des Messkörpers	CrNi-Stahl
Nenntemperaturbereich $B_{T, nom}$	-10 ... +40 $^\circ\text{C}$
Gebrauchstemperaturbereich $B_{T, G}$	-20 ... +80 $^\circ\text{C}$
Eingangswiderstand R_e	$385 \pm 30 \text{ } \Omega$
Ausgangswiderstand R_a	$350 \pm 5 \text{ } \Omega$
Isolationswiderstand R_{is}	$\geq 5.000 \text{ M}\Omega / \text{DC } 100 \text{ V}$
Ausgangssignal (Nennkennwert) C_{nom}	$2,0 \pm 0,1 \text{ mV/V}$
Elektrischer Anschluss	Messkabel $\varnothing 5 \times 3.000 \text{ mm}$
Spannungsversorgung	5 ... 10V DC
Schutzart (nach IEC/EN 60529)	IP65 (< 5 kN), IP67 ($\geq 5 \text{ kN}$)
Gewicht in kg	
0,5 kN	0,3
1, 2 kN	0,5
50, 10 kN	0,5
20, 30 kN	1,3
50 kN	1,4

DE

9. Technische Daten

Abmessungen in mm



DE

Nennkraft in kN	Abmessungen in mm			
	H	L	W	M
0,5	63,5	50,8	25,4	M8
1, 2	76,2	50,8	25,4	M12
5, 10	87,3	57,2	31	M12
20, 30	100	68,8	36,5	M24 x 2
50	114,3	76,2	36,5	M24 x 2

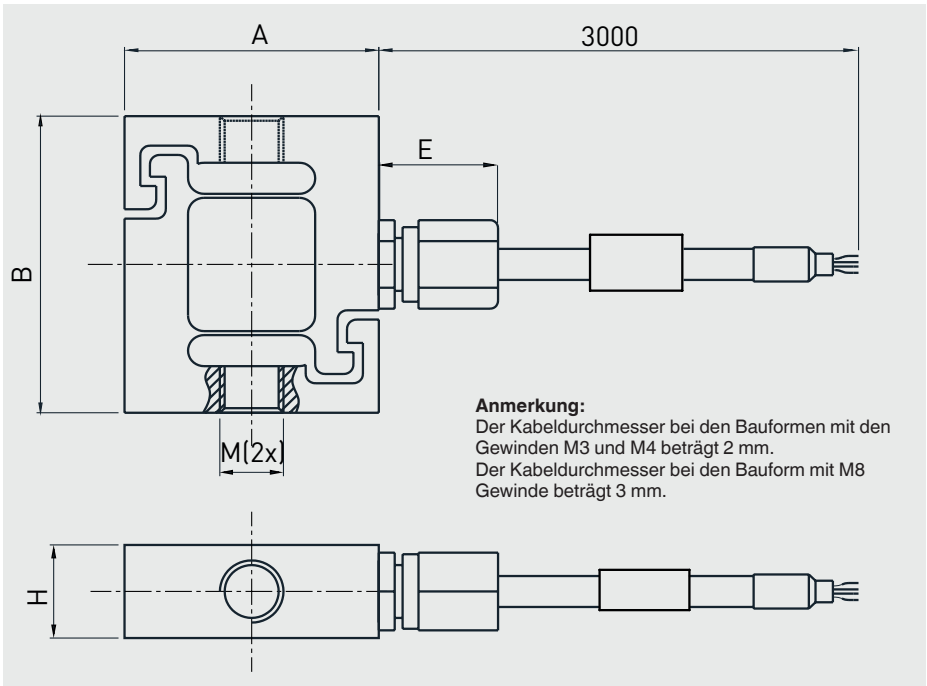
9. Technische Daten

Typ F2808	
Nennkraft F_{nom} N	5 / 10 / 20 / 50 / 100 / 200 / 250 / 300 / 500 / 1.000 / 2.000
Relative Linearitätsabweichung d_{lin}	$\pm 0,15 \% F_{nom}$
Relatives Kriechen, 30 min.	$\pm 0,1 \% F_{nom}$
Relative Umkehrspanne v	$\pm 0,1 \% F_{nom}$
Relative Spannweite in unveränderter Einbaulage b_{rg}	$\pm 0,1 \% F_{nom}$
Relative Abweichung des Nullsignals $d_{S, 0}$	$\pm 2 \% F_{nom}$
Grenzkraft F_L	$150 \% F_{nom}$
Bruchkraft F_B	$300 \% F_{nom}$
Werkstoff des Messkörpers	CrNi-Stahl
Nenntemperaturbereich $B_{T, nom}$	-10 ... +60 °C
Gebrauchstemperaturbereich $B_{T, G}$	-20 ... +80 °C
Eingangswiderstand R_e	$380 \pm 30 \Omega$
Ausgangswiderstand R_a	$380 \pm 30 \Omega$
Isolationswiderstand R_{is}	$\geq 5.000 M\Omega/DC 100 V$
Ausgangssignal (Nennkennwert) C_{nom}	
5 N	$1,5 \pm 0,15 mV/V$
$\geq 10 N$	$2,0 \pm 0,2 mV/V$
Elektrischer Anschluss	
M3, M4	Kabel $\varnothing 2 \times 3.000 mm$
M8	Kabel $\varnothing 3 \times 3.000 mm$
Spannungsversorgung	DC 5 V (max. 7 V)
Schutzart (nach IEC/EN 60529)	IP66
Gewicht in kg	0,1

DE


9. Technische Daten

Abmessungen in mm



Nennkraft in N	Abmessungen in mm				
	M	H	A	B	E
5, 10, 20	M3	6	16	19,1	7,5
50, 100, 200, 300, 500	M4	6	16	19,1	13
250, 300, 500, 1.000, 2.000	M8	14	26	40	13

9.1 Zulassungen

Logo	Beschreibung	Land
	EU-Konformitätserklärung <ul style="list-style-type: none">■ EMV-Richtlinie■ RoHS-Richtlinie	Europäische Union
	EAC <ul style="list-style-type: none">■ EMV-Richtlinie	Eurasische Wirtschaftsgemeinschaft

DE



A division of the WIKAL Group

EU-Konformitätserklärung EU Declaration of Conformity

Dokument Nr.: ADEUKX300002.01
Document No.:

Wir erklären in alleiniger Verantwortung, dass die mit CE gekennzeichneten Produkte
We declare under our sole responsibility that the CE marked products

Typenbezeichnung: F2802*, F2808* ⁽¹⁾
Type Designation:

Beschreibung: Zug-/Druckkraftaufnehmer S-Type
Description: Tension/compression force transducer S-type

gemäß gültiger Betriebsanleitung:
according to the valid operating instructions: ADPR1X914114

die wesentlichen Schutzanforderungen der folgenden Richtlinien erfüllen: Harmonisierte Normen:
comply with the essential protection requirements of the directives: Harmonized standards:

2011/65/EU ⁽²⁾	Gefährliche Stoffe (RoHS) Hazardous substances (RoHS)	EN 50581:2012
---------------------------	--	---------------

(1) * = mehrere alphanumerische Zeichen
* = multiple alphanumeric letter

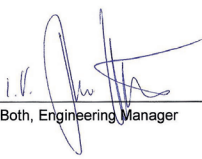
(2) beinhaltet auch DELEGIERTE RICHTLINIE (EU) 2015/863
Including also DELEGATED DIRECTIVE (EU) 2015/863

Untersignet für und im Namen von / Signed for and on behalf of

tecsis GmbH

Offenbach, 2019-05-29


Stefan Richter, Managing Director


Ralf Both, Engineering Manager

tecsis GmbH
Carl-Legien-Str. 40 - 44
63073 Offenbach am Main
Germany

Tel. +49 69 5906-0
Fax +49 69 5906-7768
E-Mail info@tecsis.de
www.tecsis.de

Stz: Offenbach - Offenbach am Main
Registernummer: HR B 40169
Geschäftsführer: Stefan Richter u. Thomas Steinbacher

ADPR1X914114.02 04/2021 EN/DE