

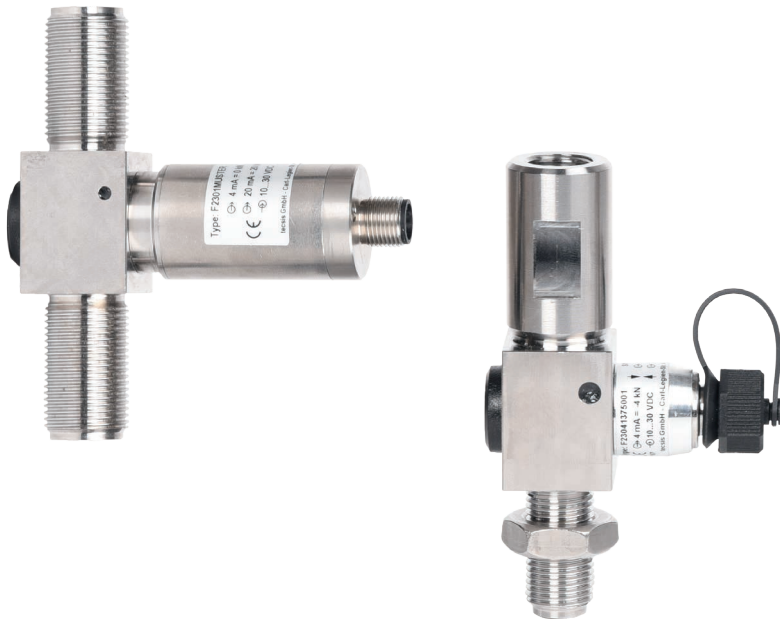
# Operating instructions Betriebsanleitung

Tension/compression force transducer  
Models F2301, F23C1, F23S1, F2303, F2304

EN

Zug-/Druckkraftaufnehmer  
Typen F2301, F23C1, F23S1, F2303, F2304

DE



Example: Models F2301, F2304



Part of your business

© 06/2020 WIKA Alexander Wiegand SE & Co. KG  
All rights reserved. / Alle Rechte vorbehalten.  
WIKA® and tecsis® are registered trademarks in various countries.  
WIKA® and tecsis® sind geschützte Marken in verschiedenen Ländern.

Prior to starting any work, read the operating instructions!  
Keep for later use!

Vor Beginn aller Arbeiten Betriebsanleitung lesen!  
Zum späteren Gebrauch aufbewahren!

# Contents

<b>1. General information</b>	<b>4</b>
<b>2. Design and function</b>	<b>5</b>
2.1 Overview models F2301, F23C1, F23S1 . . . . .	5
2.2 Overview model F2303 . . . . .	6
2.3 Overview model F2304 . . . . .	6
2.4 Description . . . . .	7
2.5 Scope of delivery . . . . .	7
<b>3. Safety</b>	<b>7</b>
3.1 Explanation of symbols . . . . .	7
3.2 Intended use . . . . .	8
3.3 Improper use . . . . .	9
3.4 Responsibility of the operator . . . . .	9
3.5 Personnel qualification . . . . .	10
3.6 Personal protective equipment . . . . .	10
3.7 Labelling, safety marks . . . . .	11
3.8 Ex marking . . . . .	12
3.9 Signal jump electronics . . . . .	13
<b>4. Transport, packaging and storage</b>	<b>14</b>
4.1 Transport . . . . .	14
4.2 Packaging and storage . . . . .	14
<b>5. Commissioning, operation</b>	<b>15</b>
5.1 Precautions before mounting . . . . .	15
5.2 Mounting instructions . . . . .	15
5.3 Mounting of models F2301, F23C1 and F23S1 . . . . .	16
5.4 Mounting of models F2301, F23C1 and F23S1 with swivel heads . . . . .	17
5.5 Mounting of model F2303 . . . . .	18
5.6 Mounting of model F2304 . . . . .	19
5.7 Electrical connection . . . . .	20
5.8 Electrical connection hazardous area . . . . .	23
<b>6. Faults</b>	<b>23</b>
<b>7. Maintenance and cleaning</b>	<b>24</b>
7.1 Maintenance . . . . .	24
7.2 Cleaning . . . . .	25
7.3 Recalibration . . . . .	25
<b>8. Dismounting, return and disposal</b>	<b>25</b>
8.1 Dismounting . . . . .	25
8.2 Return . . . . .	26
8.3 Disposal . . . . .	26
<b>9. Specifications</b>	<b>27</b>
9.1 Approvals . . . . .	34
9.2 Dimensions model F2301 . . . . .	35
9.3 Dimensions models F2301 (signal jump) and F23C1 . . . . .	37
9.4 Dimensions model F23S1 . . . . .	39
9.5 Dimensions model F2303 . . . . .	40
9.6 Dimensions model F2304 . . . . .	42
<b>10. Accessories</b>	<b>44</b>
10.1 Cable . . . . .	44
10.2 Swivel heads, dimensions in mm . . . . .	44
<b>Appendix: EU declaration of conformity</b>	<b>46</b>

## 1. General information

- The tension/compression force transducers described in the operating instructions have been designed and manufactured using state-of-the-art technology. All components are subject to stringent quality and environmental criteria during production. Our management systems are certified to ISO 9001.
- These operating instructions contain important information on handling the instrument. Working safely requires that all safety instructions and work instructions are observed.
- Observe the relevant local accident prevention regulations and general safety regulations for the instrument's range of use.
- The operating instructions are part of the product and must be kept in the immediate vicinity of the instrument and readily accessible to skilled personnel at any time. Pass the operating instructions on to the next operator or owner of the instrument.
- Skilled personnel must have carefully read and understood the operating instructions prior to beginning any work.
- The general terms and conditions contained in the sales documentation shall apply.
- Subject to technical modifications.
- Factory calibrations / DKD/DakKS calibrations are carried out in accordance with international standards.

Further information:

- Internet address: [www.wika.de](http://www.wika.de)
- Relevant data sheet: FO 51.17 (F2301, F23C1, F23S1)  
FO 51.47 (F2303)  
FO 51.47 (F2304)
- Application consultant: Tel.: +49 9372 132-0  
Fax: +49 9372 132-406  
[info@wika.de](mailto:info@wika.de)

### Abbreviations, definitions

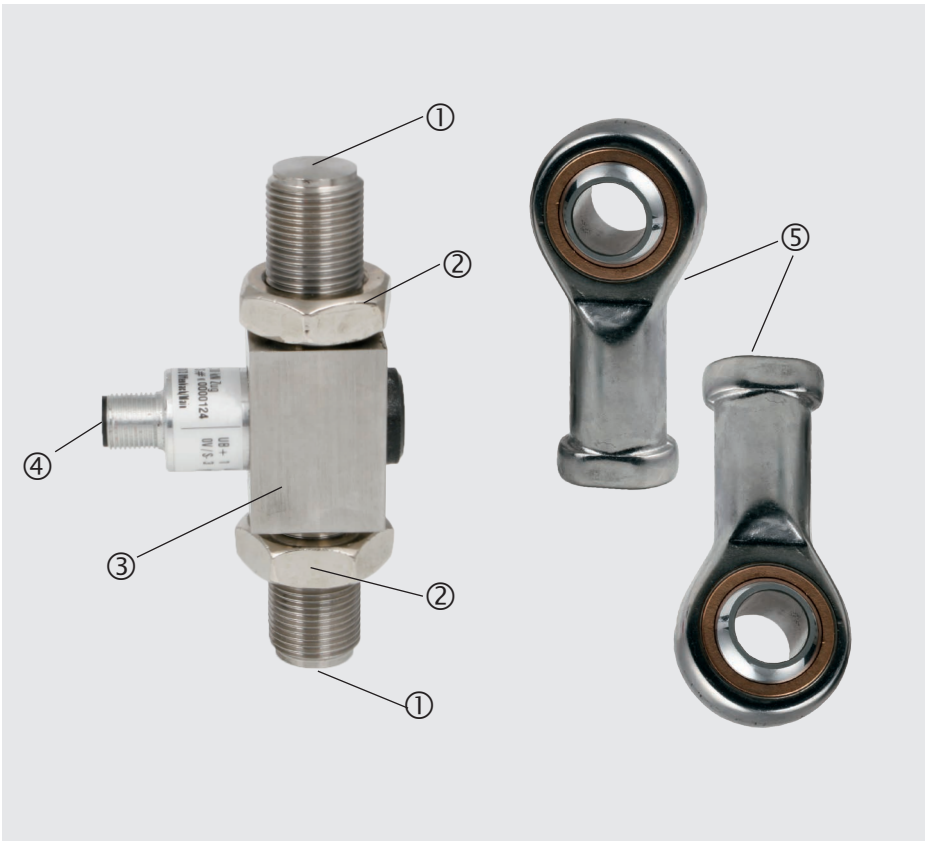
2-wire	The two connection lines are used for the voltage supply. The measuring signal also provides the supply current.
3-wire	Two connection lines are used for the voltage supply. One connection line is used for the measuring signal.
UB+	Positive power supply terminal
UB-	Negative power supply terminal
S+	Positive output terminal
S-	Negative output terminal
UR+	Positive power supply terminal for relay (signal jump)
UR-	Negative power supply terminal for relay (signal jump)
Shield	Case
x-pin	Pin assignment

## 2. Design and function

### 2. Design and function

#### 2.1 Overview models F2301, F23C1, F23S1

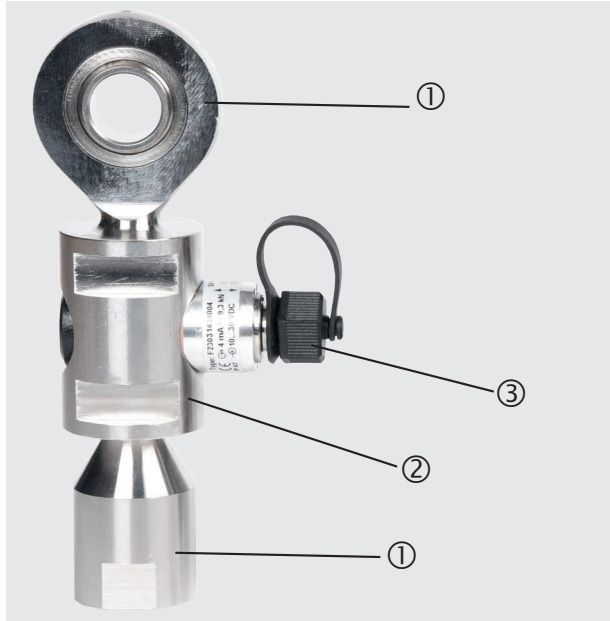
- ① Force introduction (spherical surface)
- ② Counter nut
- ③ Measuring tube
- ④ Electrical connection
- ⑤ Swivel heads (optional)



## 2. Design and function

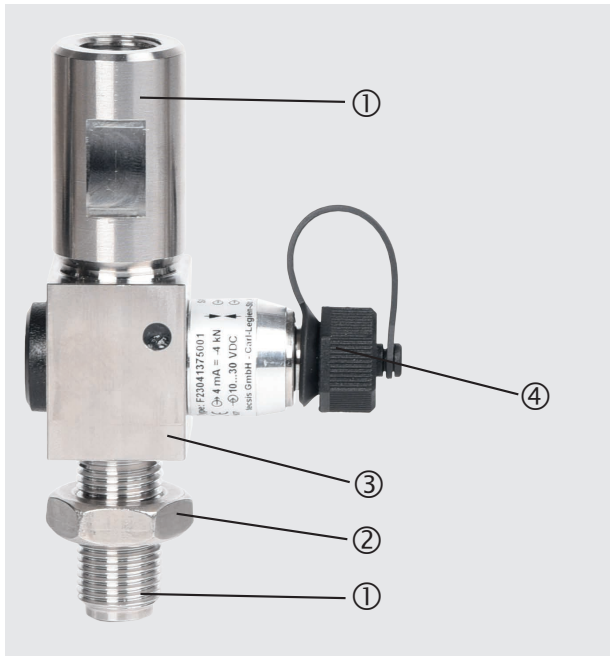
### 2.3 Overview model F2303

- ① Force introduction
- ② Measuring tube
- ③ Electrical connection



### 2.2 Overview model F2304

- ① Force introduction
- ② Counter nut
- ③ Measuring tube
- ④ Electrical connection



### 2.4 Description

The tension/compression force transducer is designed for measuring static and dynamic tension and/or compression forces. The tension/compression force transducer consists of a measuring tube and a welded thin-film sensor. The measuring body is made of stainless steel and is elastically deformed by a tension and/or compression force introduced in the force direction. The resulting mechanical tensions are measured by the installed thin-film sensor and output by an electrical output signal.

### 2.5 Scope of delivery

- Tension/compression force transducer
- Operating instructions

## 3. Safety

### 3.1 Explanation of symbols



#### **WARNING!**

... indicates a potentially dangerous situation that can result in serious injury or death, if not avoided.



#### **CAUTION!**

... indicates a potentially dangerous situation that can result in light injuries or damage to property or the environment, if not avoided.



#### **DANGER!**

... indicates a potentially dangerous situation in the hazardous area that can result in serious injury or death, if not avoided.



#### **Information**

... points out useful tips, recommendations and information for efficient and trouble-free operation.

## 3.2 Intended use

The tension/compression force transducers are designed for measuring static and dynamic tension and/or compression forces.

Defective instruments must be returned to the manufacturer.

Model	Version
<b>F2301</b>	
Option 1	Version with male threads
Option 2	Version with male threads and signal jump
<b>F23C1</b>	
Option 1	Version with male threads in acc. with ATEX directive 2014/34/EU ATEX approval per EN 60079-0:2012 and EN 60079-11:2012 (Ex ib) IECEx approval per IEC 60079-0:2011 (Ed.6) and IEC 60079-11:2011 (Ed. 6) (Ex ib)
Option 2	Version with male threads UL approval per UL 61010-1 and CSA C22.2 NO. 61010-1
<b>F23S1</b>	Version with male threads in acc. with requirements for functional safety in acc. with the Machinery Directive 2006/42/EC, applies only in combination with a safety control system, for example overload protection ELMS1
<b>F2303</b>	Version with swivel head and female thread
<b>F2304</b>	Version with male thread and female thread

These instruments have been designed and tested in accordance with the relevant safety regulations for electronic measuring instruments. Any usage outside of this is deemed to be improper. The perfect functioning and operational safety of the transducers can only be guaranteed when complying with the instructions given in the operating instructions. During its use, the legal and safety regulations (e.g. VDE 0100) required for the particular application must additionally be observed. This also applies accordingly when using accessories. Tension/compression force transducers are RoHS-compliant in accordance with Directive 2011/65/EU Art. 2 (2) and (4) d), e) and g). Faultless and safe operation of this transducer requires proper transport, professional storage, installation and mounting as well as careful operation and corrective maintenance.

The instrument has been designed and built solely for the intended use described here, and may only be used accordingly. The technical specifications contained in these operating instructions must be observed. Improper handling or operation of the instrument outside of its technical specifications requires the instrument to be taken out of



service immediately and inspected by an authorised service engineer. Handle electronic precision measuring instruments with the required care (protect from humidity, impacts, strong magnetic fields, static electricity and extreme temperatures, do not insert any objects into the instrument or its openings). Plugs and sockets must be protected from contamination.

The manufacturer shall not be liable for claims of any type based on operation contrary to the intended use.

### 3.3 Improper use



**WARNING!**  
**Injuries through improper use**

Improper use of the instrument can lead to hazardous situations and injuries.

- ▶ Refrain from unauthorised modifications to the instrument.

Any use beyond or different to the intended use is considered as improper use.

### 3.4 Responsibility of the operator

The instrument is used in the industrial sector. The operator is therefore responsible for legal obligations regarding safety at work.

The safety instructions within these operating instructions, as well as the safety, accident prevention and environmental protection regulations for the application area must be maintained.

The operator is obliged to maintain the product label in a legible condition.

To ensure safe working on the instrument, the operating company must ensure

- that suitable first-aid equipment is available and aid is provided whenever required.
- that the skilled electrical personnel are regularly instructed in all topics regarding work safety, first aid and environmental protection and know the operating instructions and in particular, the safety instructions contained therein.
- that the instrument is suitable for the particular application in accordance with its intended use.
- that personal protective equipment is available.

### 3.5 Personnel qualification



#### **WARNING!**

#### **Risk of injury should qualification be insufficient**

Improper handling can result in considerable injury and damage to equipment.

- ▶ The activities described in these operating instructions may only be carried out by skilled personnel who have the qualifications described below.

#### **Skilled electrical personnel**

Skilled electrical personnel are understood to be personnel who, based on their technical training, know-how and experience as well as their knowledge of country-specific regulations, current standards and directives, are capable of carrying out work on electrical systems and independently recognising and avoiding potential hazards. The skilled electrical personnel have been specifically trained for the work environment they are working in and know the relevant standards and regulations. The skilled electrical personnel must comply with current legal accident prevention regulations.

#### **Special knowledge for working with instruments for hazardous areas:**

The skilled electrical personnel must have knowledge of ignition protection types, regulations and provisions for equipment in hazardous areas.

Special operating conditions require further appropriate knowledge, e.g. of aggressive media.

### 3.6 Personal protective equipment

The requirements for the required protective equipment result from the ambient conditions at the place of use, other products or the connection to other products.

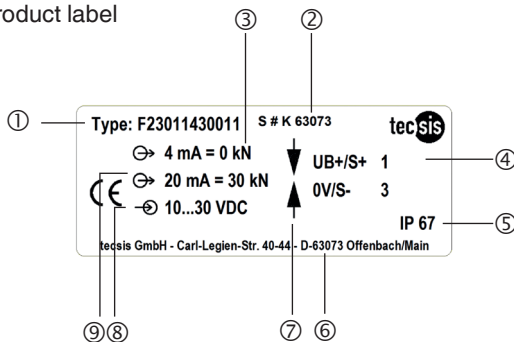
The requisite personal protective equipment must be provided by the operating company. The operator is in no way relieved of his obligations under labour law for the safety and the protection of workers' health.

The design of the personal protective equipment must take into account all operating parameters of the place of use.

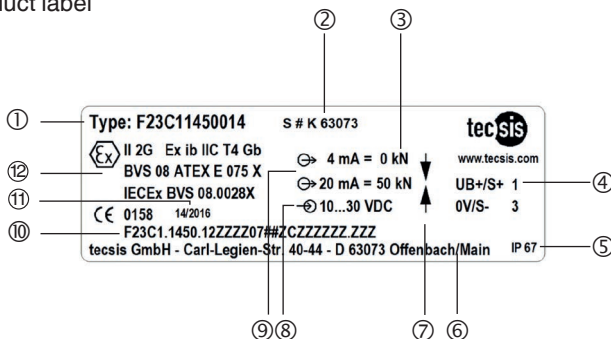
## 3.7 Labelling, safety marks

### Product label

Standard product label



ATEX product label



- ① Model
- ② Serial number, TAG number
- ③ Measuring range
- ④ Pin assignment
- ⑤ Ingress protection per DIN EN 60259
- ⑥ Address
- ⑦ Force direction (tension or compression force)
- ⑧ Power supply, excitation voltage for mV/V sensor
- ⑨ Output signal
- ⑩ Product code
- ⑪ Date of manufacture calendar week/year
- ⑫ Approval-related product information

## 3.8 Ex marking



### DANGER!

#### Danger to life due to loss of explosion protection

Non-observance of these instructions and their contents may result in the loss of explosion protection.

- ▶ Observe the safety instructions in this chapter and further explosion instructions in these operating instructions.
- ▶ Observe the information given in the applicable type examination certificate and the relevant country-specific regulations for installation and use in hazardous areas (e.g. IEC 60079-14, NEC, CEC).

It applies to ATEX instruments with classification: EN 60079-0:2012 / EN 60079-11:2012 (Ex ib).

Ex II 2G Ex ib IIC T4 Gb	$-25\text{ °C} < T_{\text{amb}} < +85\text{ °C}$
Ex II 2G Ex ib IIC T3 Gb	$-25\text{ °C} < T_{\text{amb}} < +100\text{ °C}$
Ex I M2 Ex ib I Mb	$-25\text{ °C} < T_{\text{amb}} < +85\text{ °C}$
Ex II 2G Ex ib IIC T4 Gb	$-40\text{ °C} < T_{\text{amb}} < +85\text{ °C}$
I M2 Ex ib I Mb	(only available with cable connection)

Check whether the classification is suitable for the application. Observe the relevant national regulations.

Certification body 0158

Type examination certificate IECEx BVS08.0028X / BVS 08 ATEX E 075 X

The normal installation instructions of the operating instructions shall apply.

### Special conditions for safe use

The tension/compression force transducers are suitable for use in the following ambient temperature ranges:

Model	Temperature class	Ambient temperature range
F*3C*.***.12*****	T4 T3	-25 °C to +85 °C -25 °C to +100 °C
F*3C*.***.14*****	Group I	-25 °C to +85 °C
F*3C*.***.15*****	T4	-25 °C to +85 °C
F*3C*.***.16*****	T4 T3	-40 °C to +85 °C -40 °C to +100 °C
F*3C*.***.17*****	T4 T3	-45 °C to +85 °C -45 °C to +100 °C
F*3C*.***.21*****	T4 and group I	-40 °C to +85 °C

The connection lead of the tension/compression force transducer models F\*3C\*.\*\*\*.15\*\*\*\*\* and F\*3C\*.\*\*\*.21\*\*\*\*\* must be permanently installed.

No modification must be made to instruments operated in connection with hazardous areas.

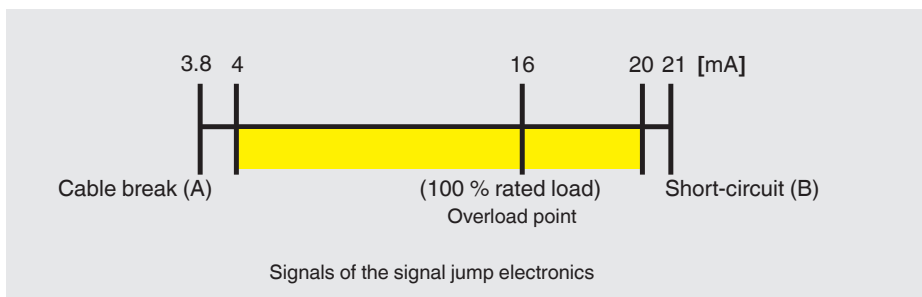
### 3.9 Signal jump electronics

#### Compliance with functional safety

An external safety control system independent of the transducer must monitor the safe functioning of the transducer. The functional test (signal step change) with a signal jump of 4 mA / 2 V is executed at an interval of 24 hours. The safety control system activates a relay, thus changing the output signal of the transducer in a defined manner.

If the expected change in the output signal occurs, it can be assumed that the entire signal path functions correctly. If this does not occur, then it can be concluded that there is a fault in the signal path.

Moreover, the measuring signal should be checked by the safety control system for the Min (A) and Max (B) signal value to ensure that any cable break or short-circuit that has occurred is detected. The default setting of the transducer with current output 4 ... 20 mA for overload detection is, for example:



With a fixed, set signal jump of, for example, 4 mA, then, in any operating state, the test cycle can be triggered by activating the test relay. The upper measuring range limit of 20 mA will never be reached and thus the testing of the signal jump is enabled.

### 4. Transport, packaging and storage

#### 4.1 Transport

Check the tension/compression force transducer for any damage that may have been caused by transport. Obvious damage must be reported immediately.



#### **CAUTION!**

#### **Damage through improper transport**

With improper transport, a high level of damage to property can occur.

- ▶ When unloading packed goods upon delivery as well as during internal transport, proceed carefully and observe the symbols on the packaging.
- ▶ With internal transport, observe the instructions in chapter 4.2 “Packaging and storage”.

As precision measuring instruments, transducers require careful handling during transport and mounting. Load impacts during transport (e.g. hitting a hard surface) can lead to permanent damage, resulting in measuring errors in the subsequent measuring operation.

#### 4.2 Packaging and storage

Do not remove packaging until just before mounting.

Keep the packaging as it will provide optimum protection during transport (e.g. change in installation site, sending for repair).

The measuring tube is made completely of stainless steel. The version of the accessory cables has an ingress protection of IP67. The ingress protection IP67 is only guaranteed in the plugged-in state. During storage the protection cap must always be on the electrical connection to avoid entry of moisture and dirt.

#### **Permissible conditions at the place of storage:**

- Storage temperature: -40 ... +85 °C
- Humidity: 35 ... 85 % relative humidity (non-condensing)

#### **Avoid exposure to the following factors:**

- Mechanical vibration, mechanical shock (putting it down hard)
- Dust, dirt, and other objects may not be deposited in such a way that they form a force shunt with the measuring tube, since this will falsify the measuring signal.

### 5. Commissioning, operation

#### 5.1 Precautions before mounting

- Tension/compression force transducers are sensitive measuring instruments and must be handled with appropriate care.
- Before installing the tension/compression force transducer, check whether the threaded bores of the installation position have been executed dimensionally accurately, thus guaranteeing problem-free mechanical installation of the tension/compression force transducer.
- Before installation, make sure that any drilling chips have been removed from the threaded bores.

#### 5.2 Mounting instructions



##### **CAUTION!**

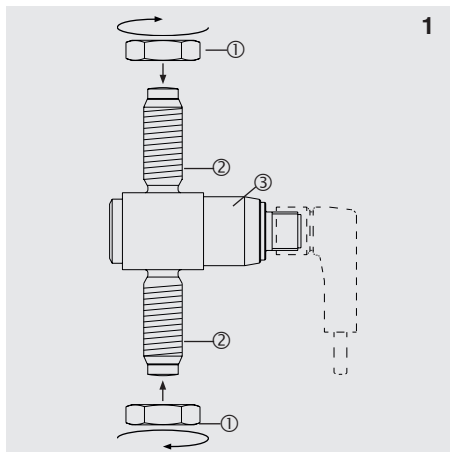
##### **Damage to the instrument through improper installation**

- With the installation of the force transducer, the installation position and the load direction must be considered.
- Torsional and shear forces must be avoided. Transverse loads and lateral forces also include the corresponding components of the measurands that are introduced slanted.
- Torsional moments, eccentric loads and transverse loads or lateral forces cause measuring errors and may permanently damage the tension/compression force transducer.
- The supplied counter nuts must never rest on the deformation element. A gap of at least 0.5 mm must be provided.
- The installation of the tension/compression force transducer must not be made with any violent force.
- During installation of the tension/compression force transducer, the output signal (force value) must always be monitored to avoid mechanical overload.
- When subjected to loads in other devices, other than those planned in the application, a change in the zero signal may result in permanent damage.
- Do not use the tension/compression force transducer as a climbing aid.
- If high shear forces or lateral forces are to be expected, the use of swivel heads is recommended (see chapter 10 "Accessories").

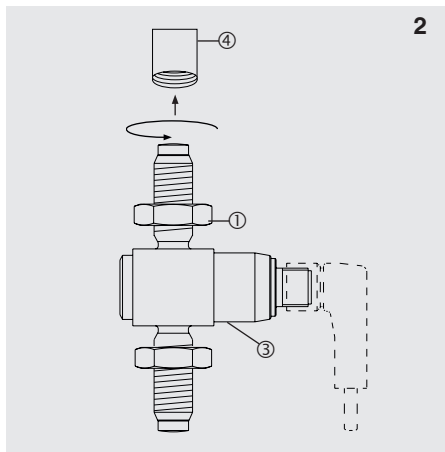
## 5. Commissioning, operation

### 5.3 Mounting of models F2301, F23C1 and F23S1

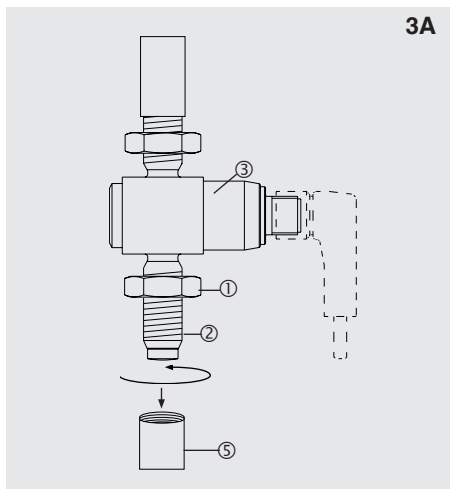
- ① Counter nut
- ② Thread
- ③ Force transducer
- ④ Measuring object
- ⑤ Measuring object, counterpart
- ⑥ Spherical surface



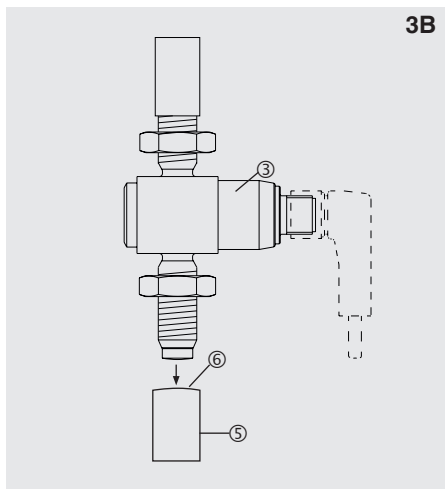
If necessary, screw counter nuts on each thread.



Screw the force transducer into the measuring object. If necessary, secure with locknut. Observe the max. torque.



Screw the counterpart of the measuring object onto the free thread. If necessary, secure with locknut. Observe the max. torque. Load the force transducer.



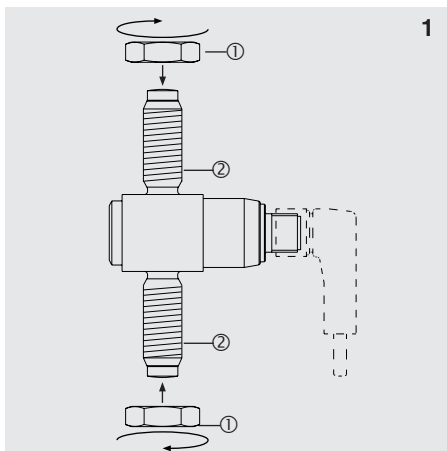
Position the counterpart of the measuring object against the spherical surface/face of the force transducer. Load the force transducer.



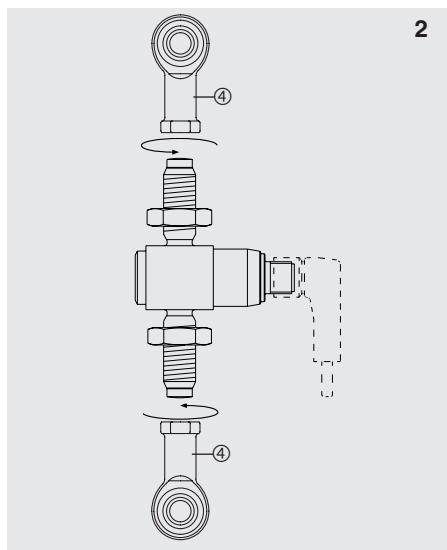
## 5. Commissioning, operation

### 5.4 Mounting of models F2301, F23C1 and F23S1 with swivel heads

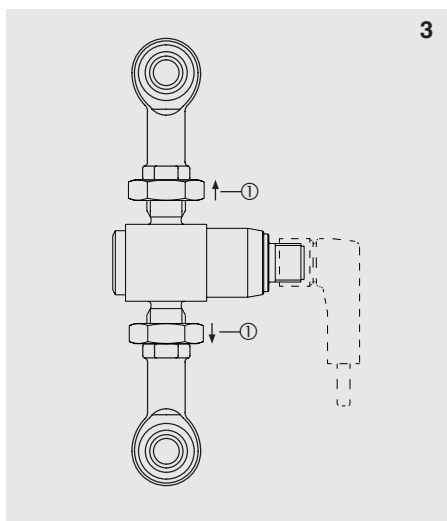
- ① Counter nut
- ② Thread
- ③ Force transducer
- ④ Swivel heads
- ⑤ Clamping system
- ⑥ Retaining bolt



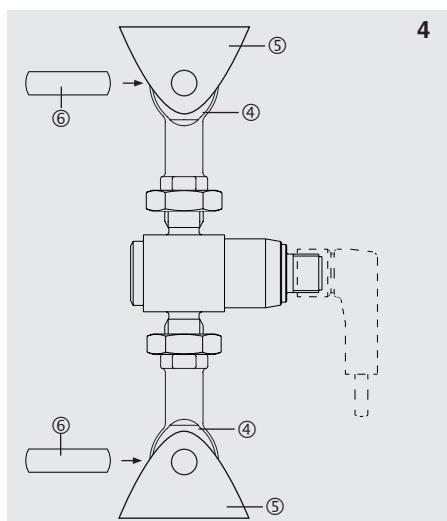
Screw counter nuts on the thread.



Screw swivel heads onto the thread.



Tighten counter nuts. Observe the max. torque.

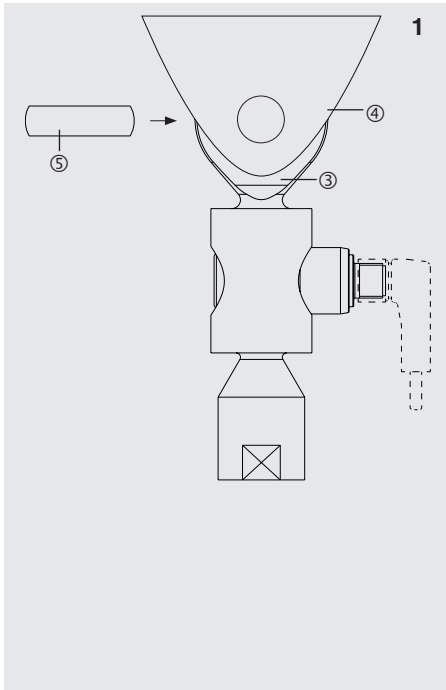


Place the swivel heads in the clamping device and fix with retaining bolts. The retaining bolts must not restrict the free location of the force transducer. Load the force transducer.

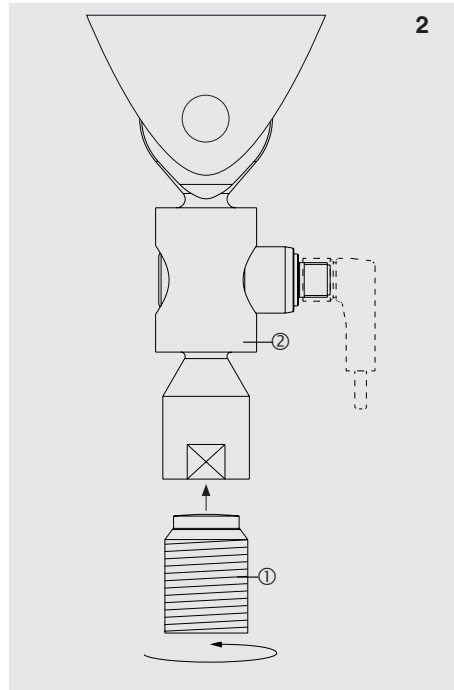
## 5.5 Mounting of model F2303

- ① Thread
- ② Force transducer
- ③ Swivel head
- ④ Clamping system
- ⑤ Retaining bolt

EN



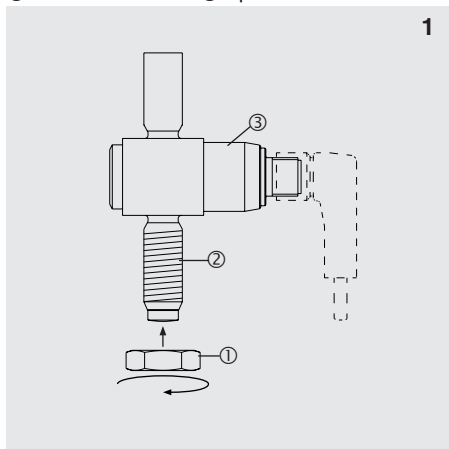
Place the swivel head in the clamping device and fix with retaining bolt. The retaining bolt must not restrict the free location of the force transducer.



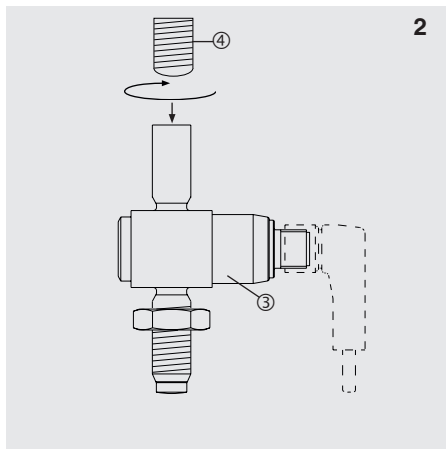
Screw force transducer onto thread of the measuring object. Observe the max. torque. Load the force transducer.

## 5.6 Mounting of model F2304

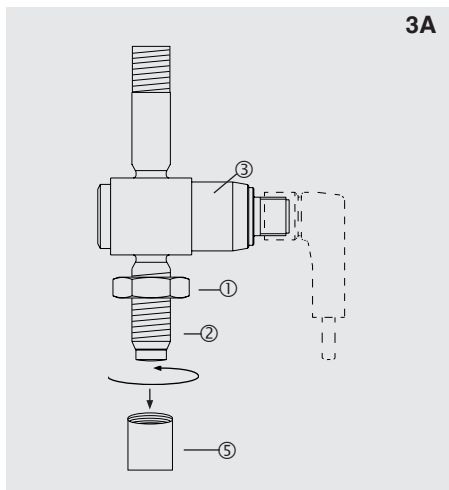
- ① Counter nut
- ② Thread
- ③ Force transducer
- ④ Measuring object
- ⑤ Measuring object, counterpart
- ⑥ Spherical surface



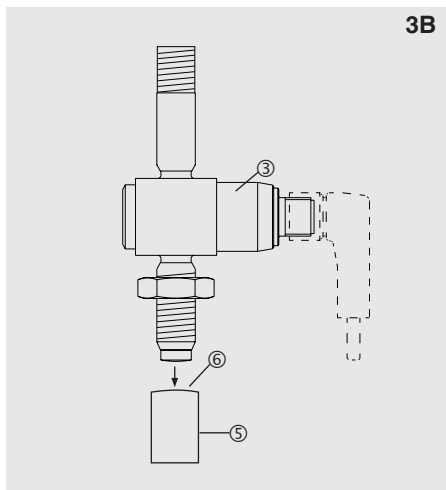
If necessary, screw a counter nut onto the thread.



Screw the force transducer to the measuring object.



Screw the counterpart of the measuring object onto the free thread. As necessary, secure with locknut. Observe the max. torque. Load the force transducer.



Position the counterpart of the measuring object against the spherical surface/face of the force transducer. Load the force transducer.

## 5. Commissioning, operation

### 5.7 Electrical connection

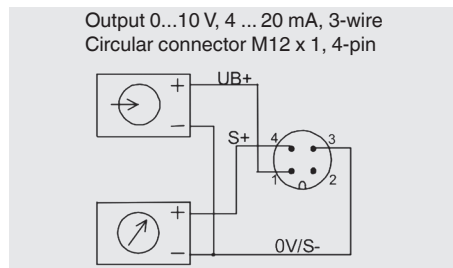
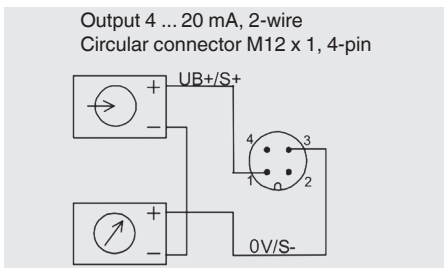
#### To prevent interferences from coupling into the system:

- Use only shielded and low-capacitance measuring cables (for cables, see chapter 10 “Accessories”).
- Ground the shield of the measuring cable.
- Connect the cable shield with the case of the tension/compression force transducer. In the cables of the accessories, the cable shield is connected by means of the knurled nut, thus connecting it to the case of the tension/compression force transducer (for cables, see chapter 10 “Accessories”).
- Do not install measuring cables in parallel to 3-phase-current cables and control cables.
- Avoid stray fields of transformers, motors and contactors.
- Transducers, amplifiers and processing or display units must not be grounded several times. Connect all instruments to the same protective conductor.

The pin assignment of the connector or of the cable can be found on the product label.

When using extensions, only shielded and low-capacitance cables should be used. The permitted maximum and minimum lengths of cable are defined in ISO 11898-2. Care should be taken about the shielding.

#### 5.7.1 Pin assignment of analogue output, models F2301, F2303, F2304



#### Circular connector M12 x 1, 4-pin

	4 ... 20 mA 2-wire	4 ... 20 mA 3-wire	0 ... 10 V 3-wire
UB+	1	1	1
0V/UB-	3	3	3
S+	1	4	4
S-	3	3	3
Shield ⊕	Case	Case	Case

## 5. Commissioning, operation

EN

Cable assignment		
Cable colour	2-wire	3-wire
Brown	UB+/S+	UB+
White	-	-
Blue	0V/S-	0V/S-
Black	-	S+

Only when using standard cable, e.g. EZE53X011016

### 5.7.2 Pin assignment model F23C1 ATEX/IECEX

Circular connector M12 x 1, 4-pin	
	ATEX Ex ib 4 ... 20 mA, 2-wire
UB+	1
0V/UB-	3
S+	1
S-	3
Shield ⊕	Case

Cable assignment	
Cable colour	2-wire
Brown	UB+/S+
White	-
Blue	0V/S-
Black	-

Only when using standard cable, e.g. EZE53X011016

### 5.7.3 Pin assignment model F2301 signal jump

Circular connector M12 x 1, 4-pin			
	4 ... 20 mA 2-wire	4 ... 20 mA 3-wire	0...10 V 3-wire
UB+	1	1	1
0V/UB-	3	3	3
UR+	2	2	2
UR-	4	3	3
S+	1	4	4
S-	3	3	3
Shield ⊕	Case	Case	Case

Cable assignment		
Cable colour	2-wire	3-wire
Brown	UB+/S+	UB+
White	UR+	UR+
Blue	0V/S-	0V/S-/UR-
Black	UR-	S+

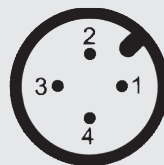
Only when using standard cable, e.g. EZE53X011016

## 5. Commissioning, operation

### 5.7.4 Pin assignment, analogue output redundant, opposing

#### Circular connector M12 x 1, 4-pin

	4 ... 20 mA / 20...4 mA (redundant)	
	Connector 1	Connector 2
UB+	1	1
0V/UB-	3	3
Signal: Channel 1	4	-
Signal: Channel 2	-	4
Shield ⊕	Case	Case



Circular connector  
M12 x 1, 4-pin

2-connector variant, for example, in combination with ELMS1 overload protection (F23S1). Version in acc. with requirements for functional safety per Machinery Directive 2006/42/EC.

### 5.7.5 Pin assignment, CANopen®

#### Circular connector M12 x 1, 5-pin

Shield ⊕	1
UB+ (CAN V+)	2
UB- (CAN GND)	3
Bus signal, CAN-High	4
Bus signal, CAN-Low	5



Circular connector  
M12 x 1, 5-pin

### 5.8 Electrical connection hazardous area

#### Electrical data of supply circuit or signal circuit:

- $UB+ = DC\ 9 \dots 30\ V$
- $I_{max} = 130\ mA$
- $P_{max} = 750\ mW$
- $C_i = 13.2\ nF$

For tension/compression force transducers with cable connection, the following values must be additionally taken into account:

- $C_L = 320\ nF/km$
- $L_L = 0.44\ mH/km$

The tension/compression force transducer with the ignition protection type “ib” must only be supplied with a repeater power supply.

For redundant versions of the tension/compression force transducer, separate cable leads should be provided. When connecting via a single cable, the requirements per IEC 60079-14 must be taken into account. Different intrinsically safe circuits must be separated in the cable via a shield. You must ensure that all shields are grounded. If two intrinsically safe circuits are connected to the tension/compression force transducer via a plug connection, the connector must be potted, and the spacing between the intrinsically safe circuits must be at least 1 mm. The cables must be protected against damage. Damaged cables must be replaced immediately.

## 6. Faults



### **DANGER!** **Danger to life from explosion**

Through working in flammable atmospheres, there is a risk of explosion which can cause death.

- ▶ Only rectify faults in non-flammable atmospheres!



### **CAUTION!** **Physical injuries, damage to equipment**

If faults cannot be eliminated by means of the measures listed, the tension/compression force transducer must be taken out of operation immediately.

- ▶ Contact the manufacturer.
- ▶ If a return is needed, please follow the instructions given in chapter 9.2 “Return”.

## 6. Faults / 7. Maintenance and cleaning



For contact details see chapter 1 “General information” or the back page of the operating instructions.

EN

Faults	Causes	Measures
No output signal	No or wrong power supply, current pulse	Rectify the power supply
	Cable break	Check the continuity
No or wrong output signal	Wrong pin assignment	Check pin assignment
Deviating zero point signal	Overload, last offset, wrong connection	Consult the manufacturer
Constant output signal when changing force	Mechanical overload, wrong pin assignment	Consult the manufacturer
Signal span varies	EMC interference sources in the environment; for example, frequency converter	Shield instrument; cable shield; remove source of interference
Signal span drops/too small	Mechanical overload	Consult the manufacturer

## 7. Maintenance and cleaning



For contact details see chapter 1 “General information” or the back page of the operating instructions.

### 7.1 Maintenance

This instrument is maintenance-free.

Repairs must only be carried out by the manufacturer.  
Only use original parts (see chapter 10 “Accessories”).



### 7.2 Cleaning

1. Prior to cleaning, disconnect the tension/compression force transducer from the voltage supply and dismount it.
2. Clean the tension/compression force transducer with a cloth.  
Electrical connections must not come into contact with moisture!



#### **CAUTION!**

#### **Damage to the instrument**

Improper cleaning may lead to damage to the instrument!

- ▶ Do not use any aggressive cleaning agents.
- ▶ Do not use any hard or pointed objects for cleaning.

### 7.3 Recalibration

#### **DKD/DAkkS certificate - official certificates:**

We recommend that the tension/compression force transducer is recalibrated by the manufacturer at regular time intervals of approx. 24 months. The basic settings will be corrected if necessary.

## 8. Dismounting, return and disposal

### 8.1 Dismounting

Release the load from the tension/compression force transducer and disconnect from power. Remove the tension/compression force transducer from the mounting.

## 8. Dismounting, return and disposal

### 8.2 Return

#### Strictly observe the following when shipping the instrument:

All instruments delivered to WIKA must be free from any kind of hazardous substances (acids, bases, solutions, etc.) and must therefore be cleaned before being returned.

When returning the instrument, use the original packaging or a suitable transport packaging.

#### To avoid damage:

1. Wrap the instrument in an antistatic plastic film.
2. Place the instrument, along with the shock-absorbent material, in the packaging. Place shock-absorbent material evenly on all sides of the transport packaging.
3. If possible, place a bag containing a desiccant inside the packaging.
4. Label the shipment as carriage of a highly sensitive measuring instrument.



Information on returns can be found under the heading “Service” on our local website.

### 8.3 Disposal

Incorrect disposal can put the environment at risk.

Dispose of instrument components and packaging materials in an environmentally compatible way and in accordance with the country-specific waste disposal regulations.



Do not dispose of with household waste. Ensure a proper disposal in accordance with national regulations.

## 9. Specifications

Model	F2301	F23S1
<b>Rated force <math>F_{nom}</math> kN</b>	1, 2, 3, 5, 10, 20, 30, 50, 100, 200, 300, 500	3, 5, 10, 20, 30, 50, 100
<b>Relative linearity error <math>d_{lin}^{1)}</math></b>	$\pm 0.5 \% F_{nom}$	
<b>Relative reversibility error</b>	$< 0.1 \% F_{nom}$	
<b>Relative creep, 30 min. at <math>F_{nom}</math></b>	$0.1 \% F_{nom}$	
<b>Temperature effect on</b>		
characteristic value $TK_c$	$0.4 \% F_{nom}/10 K$	
zero signal $TK_0$	$0.4 \% F_{nom}/10 K$	
<b>Limit force <math>F_L</math></b>	$150 \% F_{nom}$	
<b>Breaking force <math>F_B</math></b>	$300 \% F_{nom}$	
<b>Permissible vibration loading <math>F_{rb}</math></b>	$\pm 50 \% F_{nom}$ (in accordance with DIN 50100)	
<b>Rated displacement (typ.) <math>s_{nom}</math></b>		
<10 kN	< 0.02 mm	
<100 kN	< 0.2 mm	
<b>Material of the measuring body</b>	Corrosion-resistant stainless steel, ultrasound-tested 3.1 material (optionally 3.2)	
<b>Rated temperature range <math>B_{T, nom}</math></b>	-20 ... +80 °C	
<b>Service temperature range <math>B_{T, G}</math></b>	-30 ... +80 °C	
<b>Storage temperature range <math>B_{T, S}</math></b>	-40 ... +85 °C	
<b>Electrical connection</b>	Circular connector M12 x 1, 4-pin / CANopen® 5-pin	2-connector version M12 x 1, 4-pin
<b>Output signal (Rated characteristic value) <math>C_{nom}</math></b>	4 ... 20 mA, 2-wire 4 ... 20 mA, 3-wire or DC 0 ... 10 V, 3-wire (Optional redundant signal) CANopen® protocol in accordance with CiA 301, device profile 404, communication services LSS (CiA 305), configuration of the instrument address and baud rate Sync/Async, Node/Lifeguarding, heartbeat; zero and span $\pm 10 \%$ adjustable via entries in the object directory <sup>2)</sup>	Redundant, opposing, 4 ... 20 mA / 20 ... 4 mA, version in acc. with requirements for functional safety per Machinery Directive 2006/42/EC

## 9. Specifications

EN

Model	F2301	F23S1
<b>Current/power consumption</b>	Current output 4 ... 20 mA 2-wire: Signal current Current output 4 ... 20 mA 3-wire: < 8 mA Voltage output: < 8 mA CANopen®: <1 W	Current output 4 ... 20 mA: signal current
<b>Power supply</b>	DC 10 ... 30 V for current output DC 14 ... 30 V for voltage output DC 12 ... 30 V for CANopen®	DC 10 ... 30 V for current output
<b>Load</b>	≤ (UB – 10 V)/0.024 A for current output > 10 kΩ for voltage output	≤ (UB – 10 V)/0.020 A (channel 1) for current output ≤ (UB–7 V)/0.020 A (channel 2) for current output
<b>Ingress protection (per EN/IEC 60529)</b>	IP67	
<b>Vibration resistance (to DIN EN 60068-2-6)</b>	20 g, 100 h, 50 ... 150 Hz	
<b>Wiring protection</b>	Reverse polarity, overvoltage and short-circuit resistance	
<b>Interference emission</b>	DIN EN 55011	
<b>Immunity</b>	per DIN EN 61326-1/DIN EN 61326-2-3 (optionally EMC-protected versions)	
<b>Options</b>	Certificates, strength verifications, 3D-/CAD files (STEP, IGES) on request	

1) Relative linearity error is specified in acc. with Directive VDI/VDE/DKD 2638 Chap. 3.2.6.

2) Protocol in accordance with CiA 301, device profile 404, communication service LSS (CiA 305).

CANopen® and CiA® are registered community trademarks of CAN in Automation e. V.

ADPR1X914096.01 06/2020 EN/DE

# 9. Specifications

EN

Model	F23C1 ATEX/IECEX EX ib 1)	F2301 Signal jump
<b>Rated force <math>F_{nom}</math> kN</b>	1, 2, 3, 5, 10, 20, 30, 50, 100	
<b>Relative linearity error <math>d_{lin}^{2)}</math></b>	$\pm 0.5 \% F_{nom}$	
<b>Relative reversibility error <math>v</math></b>	$< 0.1 \% F_{nom}$	
<b>Relative creep</b>	$0.1 \% F_{nom}$	
<b>Temperature effect on</b>		
characteristic value $TK_C$	$0.4 \% F_{nom}/10 K$	
zero signal $TK_0$	$0.4 \% F_{nom}/10 K$	
<b>Limit force <math>F_L</math></b>	$150 \% F_{nom}$	
<b>Breaking force <math>F_B</math></b>	$300 \% F_{nom}$	
<b>Permissible vibration loading <math>F_{rb}</math></b>	$\pm 50 \% F_{nom}$ (in accordance with DIN 50100)	
<b>Rated displacement (typ.) <math>s_{nom}</math></b>		
<10 kN	< 0.02 mm	
<100 kN	< 0.2 mm	
<b>Material of the measuring body</b>	Corrosion-resistant stainless steel, ultrasound-tested 3.1 material (optionally 3.2)	
<b>Rated temperature <math>B_{T, nom}</math></b>	-20 ... +80 °C	
<b>Service temperature <math>B_{T, G}</math></b>	Ex II 2G Ex ib IICT4 Gb -25 °C < Tamb < +85 °C Ex II 2G Ex ib IIC T3 Gb -25 °C < Tamb < +100 °C Ex I M2 Ex ib I Mb -25 °C < Tamb < +85 °C Ex II 2G Ex ib IIC T4 Gb -40 °C < Tamb < +85 °C Ex I M2 Ex ib I Mb (only available with cable connection)	-30 ... +80 °C
<b>Storage temperature <math>B_{T, S}</math></b>	-40 ... +85 °C	
<b>Electrical connection</b>	Circular connector M12 x 1, 4-pin	
<b>Output signal (rated characteristic value) <math>C_{nom}</math></b>	4 ... 20 mA, 2-wire	4 ... 16 mA, 2-wire <sup>3)</sup> DC 2 ... 8 V, 3-wire <sup>3)</sup>
<b>Current/power consumption</b>	Current output 4 ... 20 mA 2-wire: Signal current	Current output 4 ... 20 mA 2-wire: Signal current Current output 4 ... 20 mA 3-wire: < 8 mA Voltage output: < 8 mA

ADPR1X914096.01 06/2020 EN/DE

## 9. Specifications

EN

Model	F23C1 ATEX/IECEX EX ib 1)	F2301 Signal jump
<b>Supply voltage</b>	DC 10 ... 30 V for voltage output	DC 10 ... 30 V for current output DC 14 ... 30 V for voltage output
<b>Load</b>	≤ (UB – 10 V)/0.024 A for current output > 10 kΩ for voltage output	
<b>Ingress protection (per IEC/EN 60529)</b>	IP67	
<b>Wiring protection</b>	Reverse polarity, overvoltage and short-circuit resistance	
<b>Vibration resistance</b>	20 g, 100 h, 50 ... 150 Hz per DIN EN 60068-2-6	
<b>Interference emission</b>	DIN EN 55011	
<b>Immunity</b>	In accordance with DIN EN 61326-1/DIN EN 61326-2-3 (optional EMC-strengthened versions)	
<b>Options</b>	Certificates, strength verifications, 3D-/CAD files (STEP, IGES) on request	

1) The force transducers with ignition protection type "ib" should only be powered using galvanically isolated repeater power supplies.

2) Relative linearity error is specified in acc. with Directive VDI/VDE/DKD 2638 Chap. 3.2.6.

3) Other signal jumps are realisable upon request.

## 9. Specifications

EN

Model	F2303
Rated force $F_{nom}$ kN	10, 18, 20, 34, 45
Relative linearity error $d_{lin}$ <sup>1)</sup>	$\pm 0.5 \% F_{nom}$
Relative reversibility error	$< 0.1 \% F_{nom}$
Relative creep, 30 min. at $F_{nom}$	$0.1 \% F_{nom}$
Temperature effect on	
characteristic value $TK_c$	$0.4 \% F_{nom} / 10 K$
zero signal $TK_0$	$0.4 \% F_{nom} / 10 K$
Limit force $F_L$	$150 \% F_{nom}$
Breaking force $F_B$	$300 \% F_{nom}$
Permissible vibration loading $F_{rb}$	$\pm 50 \% F_{nom}$ (in accordance with DIN 50100)
Rated displacement (typical) $s_{nom}$	$< 0.1 mm$
Material of the measuring body	Corrosion-resistant stainless steel, ultrasound-tested 3.1 material (optionally 3.2)
Rated temperature range $B_{T, nom}$	$-20 \dots +80 \text{ }^\circ C$
Service temperature range $B_{T, G}$	$-30 \dots +80 \text{ }^\circ C$
Storage temperature range $B_{T, S}$	$-40 \dots +85 \text{ }^\circ C$
Electrical connection	Circular connector M12 x 1, 4-pin
Output signal (Rated characteristic value) $C_{nom}$	4 ... 20 mA 2-wire, 4 ... 20 mA 3-wire, DC 0 ... 10 V 3-wire (optional redundant signal), CANopen <sup>®</sup> protocol in accordance with CiA 301, device profile 404, communication services LSS (CiA 305), configuration of the instrument address and baud rate Sync/Async, Node/Lifeguarding, heartbeat; zero and span $\pm 10 \%$ adjustable via entries in the object directory <sup>2)</sup>
Current/power consumption	Current output 4 ... 20 mA, 2-wire: signal current
Power supply	DC 10 ... 30 V for current output
Load	$\leq (UB - 10 V) / 0.024 A$ for current output
Ingress protection (per EN/IEC 60529)	IP67
Vibration resistance (to DIN EN 60068-2-6)	20 g, 100 h, 50 ... 150 Hz
Wiring protection	Reverse polarity, overvoltage and short-circuit resistance
Interference emission	DIN EN 55011
Immunity	per DIN EN 61326-1/DIN EN 61326-2-3 (optionally EMC-protected versions)
Options	Certificates, strength verifications, 3D-/CAD files (STEP, IGES) on request

1) Relative linearity error is specified in acc. with Directive VDI/VDE/DKD 2638 Chap. 3.2.6.

2) Protocol in accordance with CiA 301, device profile 404, communication service LSS (CiA 305).

## 9. Specifications

Model	F2304
Rated force $F_{nom}$ kN	1, 2.5, 7.5, 10, 20, 25
Relative linearity error $d_{lin}^{(2)}$	$\pm 0.5 \% F_{nom}$
Relative reversibility error	$< 0.1 \% F_{nom}$
Relative creep, 30 min. at $F_{nom}$	$0.1 \% F_{nom}$
Temperature effect on	
characteristic value $TK_c$	$0.4 \% F_{nom}/10 K$
zero signal $TK_0$	$0.4 \% F_{nom}/10 K$
Limit force $F_L$	$150 \% F_{nom}$
Breaking force $F_B$	$300 \% F_{nom}$
Permissible vibration loading $F_{rb}$	$\pm 50 \% F_{nom}$ (in accordance with DIN 50100)
Rated displacement (typical) $s_{nom}$	$< 0.1 mm$
Material of the measuring body	Corrosion-resistant stainless steel, ultrasound-tested 3.1 material (optionally 3.2)
Rated temperature range $B_{T, nom}$	$-20 \dots +80 \text{ }^\circ\text{C}$
Service temperature range $B_{T, G}$	$-30 \dots +80 \text{ }^\circ\text{C}$
Storage temperature range $B_{T, S}$	$-40 \dots +85 \text{ }^\circ\text{C}$
Electrical connection	Circular connector M12 x 1, 4-pin
Output signal (Rated characteristic value) $C_{nom}$	$4 \dots 20 mA$ , 2-wire
Current/power consumption	$4 \dots 20 mA$ 2-wire, $4 \dots 20 mA$ 3-wire, DC $0 \dots 10 V$ 3-wire (Optional redundant signal), CANopen <sup>®</sup> protocol in accordance with CiA 301, device profile 404, communication services LSS (CiA 305), configuration of the instrument address and baud rate Sync/Async, Node/Lifeguarding, heartbeat; zero and span $\pm 10 \%$ adjustable via entries in the object directory <sup>3)</sup>
Power supply	DC $10 \dots 30 V$ for current output
Load	$\leq (UB - 10 V)/0.024 A$ for current output
Ingress protection (per EN/IEC 60529)	IP67
Vibration resistance (to DIN EN 60068-2-6)	20 g, 100 h, 50 ... 150 Hz
Wiring protection	Reverse polarity, overvoltage and short-circuit resistance
Interference emission	DIN EN 55011



## 9. Specifications

<b>Model</b>	<b>F2304</b>
<b>Immunity</b>	per DIN EN 61326-1/DIN EN 61326-2-3 (optionally EMC-protected versions)
<b>Options</b>	Certificates, strength verifications, 3D-/CAD files (STEP, IGES) on request

EN

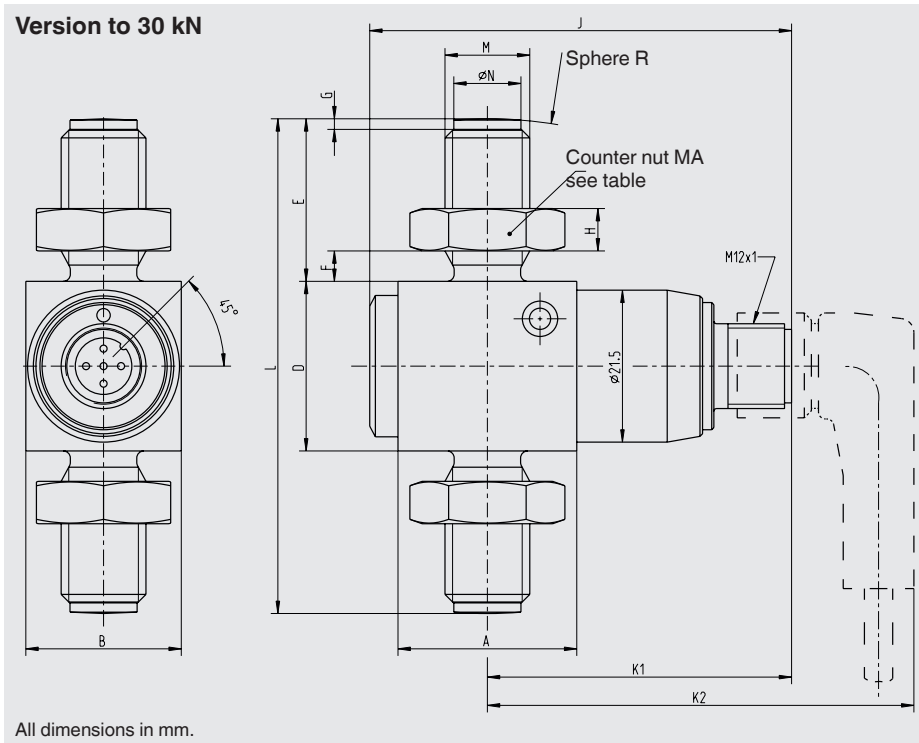
- 1) The force transducers with ignition protection type "ib" should only be powered using galvanically isolated repeater power supplies.
- 2) Relative linearity error is specified in acc. with Directive VDI/VDE/DKD 2638 Chap. 3.2.6.
- 3) Protocol in accordance with CiA 301, device profile 404, communication service LSS (CiA 305).  
CANopen® and CiA® are registered community trademarks of CAN in Automation e. V.



# 9. Specifications

## 9.2 Dimensions model F2301

EN



Rated force in kN	A	B	D	E	F	G	H	J	K1	K2	L
1, 2, 3	25.3	22	24	23	4.3	1.5	6	59.7	43	63	70
5	25.3	22	24	23	4.3	1.5	6	59.7	43	63	70
10	25.3	22	31	23	4.3	1.5	6	59.7	43	63	77
20	25.3	26	33	34	3.8	2	10	59.7	43	63	101
30	27.6	27.5	40	34	3.8	2	10	61.5	44	64	108

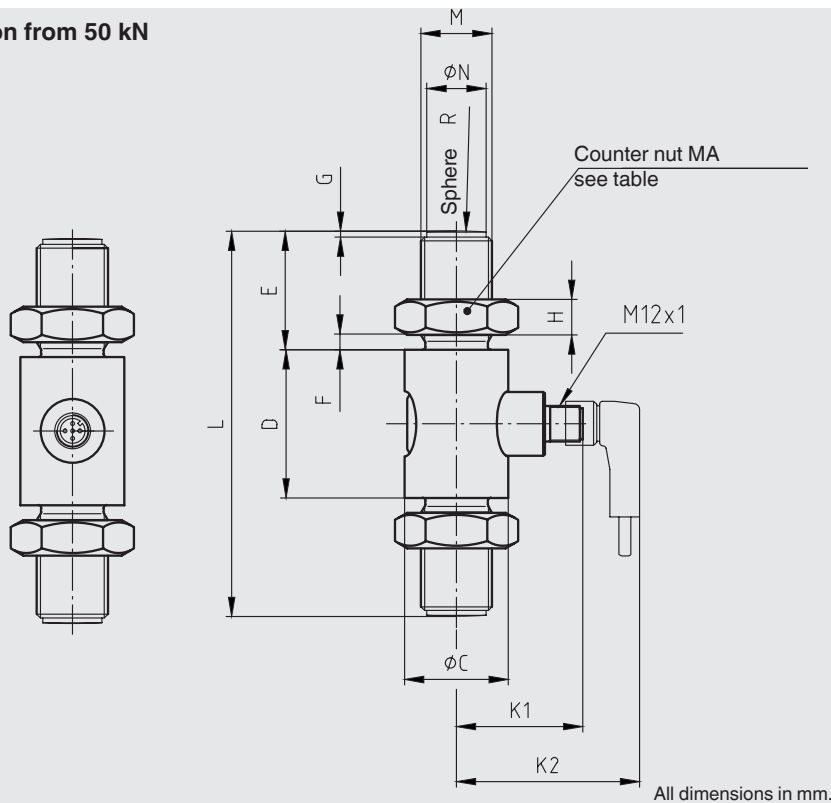
Rated force in kN	M	N -0.1	Sphere R	MA (Nm)	Rated displacement
1, 2, 3	M12	9.5	60	60	< 0.02
5	M12	9.5	60	60	< 0.02
10	M12	9.5	80	60	< 0.02
20	M20 x 1.5	17	100	300	< 0.2
30	M20 x 1.5	17	120	300	< 0.2

ADPR1X914096.01 06/2020 EN/DE

# 9. Specifications

EN

Version from 50 kN



Rated force in kN	C	D	E	F	G	H	K1	K2	L
50	35	50	40	5	2	12	43	62	130
100	54	54	68	10	3	19.5	44	64	190
200	67	67	82	12	3	22,5	45	65	231
300	73	73	98	14	3	28	49	69	269
500	94	94	113	17	3	32	59	79	320

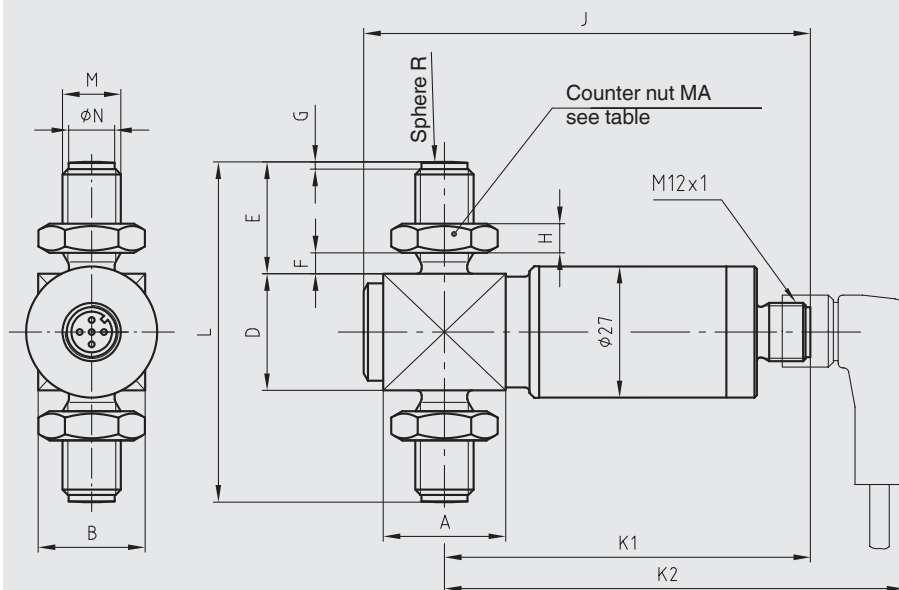
Rated force in kN	M	N -0.1	Sphere R	MA (Nm)	Rated displacement
50	M24 x 2	20	150	500	< 0.2
100	M39 x 3	34	200	2,500	< 0.2
200	M45 x 3	40	250	4,000	< 0.2
300	M56 x 4	50	300	6,000	< 0.2
500	M64 x 4	58	400	9,000	< 0.2

# 9. Specifications

## 9.3 Dimensions models F2301 (signal jump) and F23C1

EN

Version to 30 kN



All dimensions in mm.

Rated force in kN	A	B	D	E	F	G	H	J	K1	K2	L
5	25.2	22	24	23	4.3	1.5	6	89	72	91.5	70
10	25.2	22	31	23	4.3	1.5	6	89	72	91.5	77
20	25.2	26	33	34	3.8	2	10	91.5	73	91.5	101
30	27.5	27.5	40	34	3.8	2	10	91.5	73	92.5	108

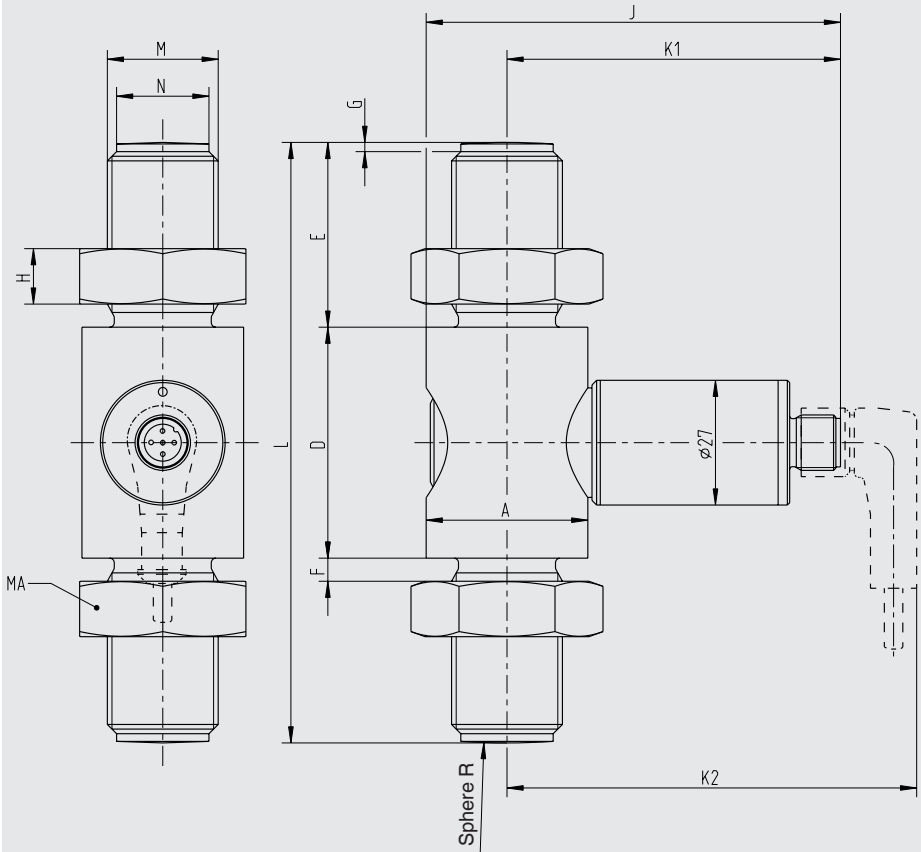
Rated force in kN	M	N -0.1	Sphere R	MA (Nm)
5	M12	9.5	60	60
10	M12	9.5	80	60
20	M20 x 1.5	17	100	300
30	M20 x 1.5	17	120	300

ADPR1X914096.01 06/2020 EN/DE

# 9. Specifications

EN

Version from 50 kN



All dimensions in mm.

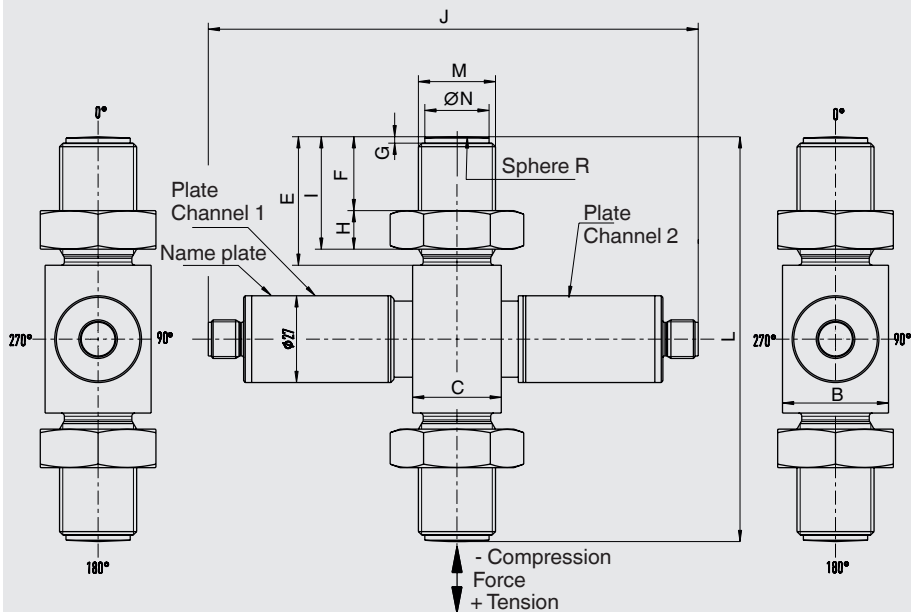
Rated force in kN	$\varnothing A$	D	E	F	G	H	J	K1	K2	L
50	35	50	40	5	2	12	91.5	73	90.2	130
100	54	54	68	10	3.7	19.5	91.5	71	91	197

Rated force in kN	M	N -0.1	Sphere R	MA (Nm)	Rated displacement
50	M24 x 2	20	150	500	< 0.2
100	M39 x 3	34	200	2,500	< 0.2

# 9. Specifications

## 9.4 Dimensions model F23S1

Version from 3 kN



All dimensions in mm.

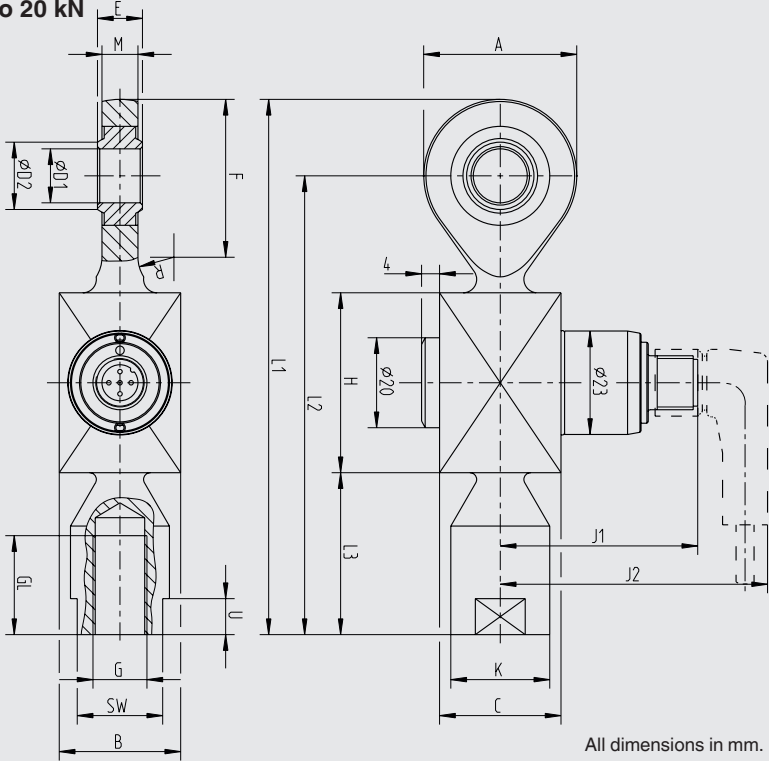
Rated force in kN	B	C	E	F	G	H	I	J	L	M	ØN -0.1	Sphere R
3-7	22	25.3	23	12.7	1.5	6	18.7	152.5	75	M12	9.5	60
6-13	25.3	25.3	26	13.5	1.5	8	21.5	152.5	85	M16 x 1.5	13	80
12-26	27.5	27.6	34	20.2	2	10	30.2	152.5	108	M20 x 1.5	17	120
18-40	33	27.6	40	23	2	12	35	152.5	126	M24 x 2	20	120
31-70	40	40	48	25	2	15	40	157.4	154	M30 x 2	26	150
67-151	60	60	78	47.8	3	19.7	67.5	177.4	223	M42 x 2	38	250

ADPR1X914096.01 06/2020 EN/DE

# 9. Specifications

## 9.5 Dimensions model F2303

Version up to 20 kN



All dimensions in mm.

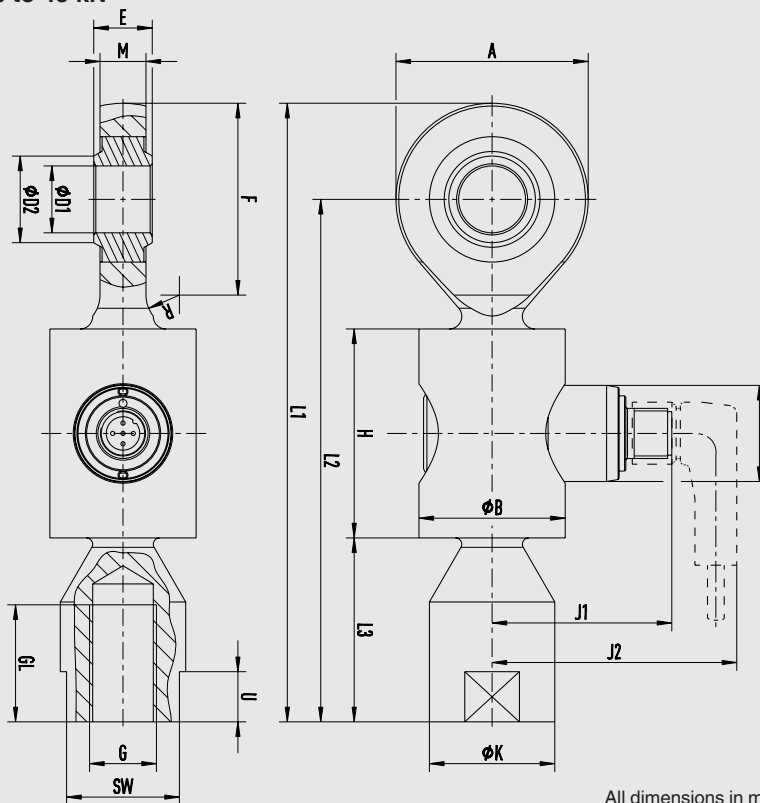
Rated force in kN	Version	A	B	C	ØD <sub>1</sub> - 0.008	ØD <sub>2</sub>	E	F	G	GL
10	female thread	34	27	27	12	15	10	35.1	M10 x 1.25	21
10	male thread	34	28	28.7	20	35	19	46	M20 x 1.5	24.5
18	female thread	34	27	27	12	15	10	35	M12 x 1.25	22
18	male thread	34	27	27	12	15	10	35	M20 x 1.25	22
20	male thread	34	28	28.7	20	35	19	46	M20 x 1.25	24.5

Rated force in kN	Version	H	J <sub>1</sub>	J <sub>2</sub>	ØK	L <sub>1</sub>	L <sub>2</sub>	L <sub>3</sub>	M	SW	U
10	female thread	40	44	63	22	119	102	36	8	19	8
10	male thread	33	44	63	-	117.5	92.5	30.5	14	19	-
18	female thread	40	44	63	22	119	102	36	8	19	8
18	male thread	40	44	63	-	119	102	36	8	19	-
20	male thread	33	44	63	-	117.5	92.5	30.5	14	19	-



## Version up to 45 kN



All dimensions in mm.

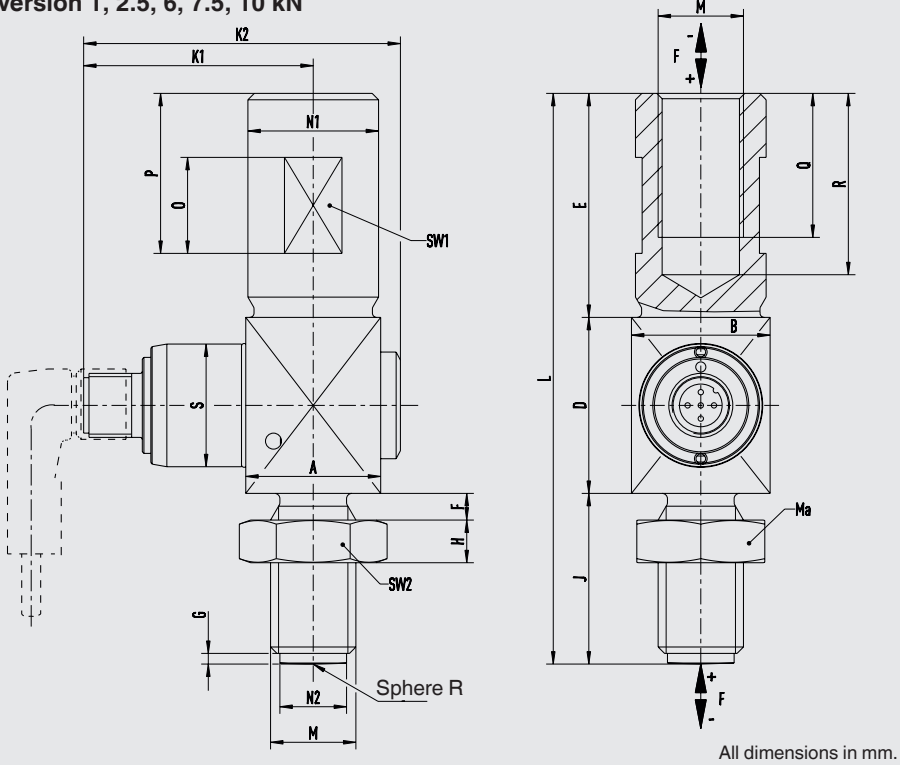
Rated force in kN	Version	A	$\phi B$	$\phi D_1 - 0.008$	$\phi D_2$	E	F	G	GL	H
34	female thread	46	35	17	20.7	14	46	M16 x 1.5	28	50
45	female thread	53	54	20	24.2	16	54	M20 x 1.5	33	54

Rated force in kN	Version	$J_1$	$J_2$	$\phi K$	$L_1$	$L_2$	$L_3$	M	SW	U
34	female thread	43	62	30	148	125	44	11	27	12
45	female thread	44	63	35	171	144.5	54	13	32	13

# 9. Specifications

## 9.6 Dimensions model F2304

Version 1, 2.5, 6, 7.5, 10 kN



All dimensions in mm.

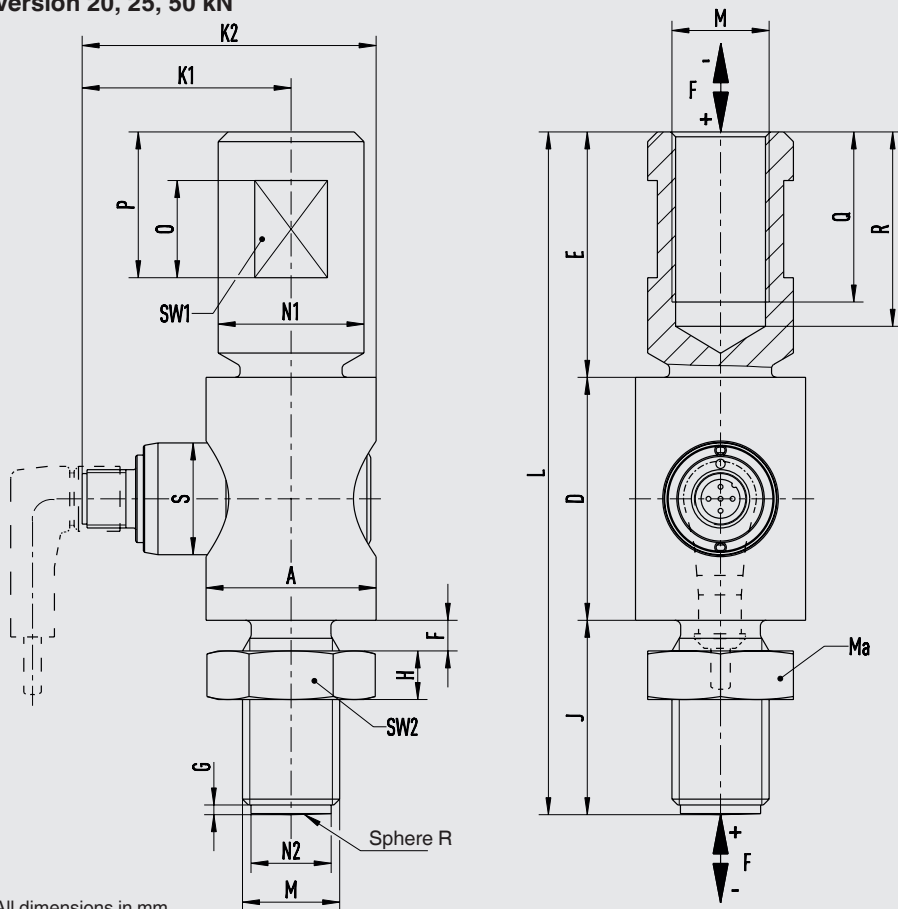
Rated force in kN	A	B	D	E	F	G	H	J	K1	K2	L	M	O	P
1	25.3	22	24	32	3.2	1.5	5	22	43	60	78	M10 x 1.25	14	23
2.5	25.3	22	24	33	4.3	1.5	6	24	43	60	81	M12 x 1.25	14	23
6	25.3	22	33	35	5	2	8	32	43	60	100	M16 x 1.5	18	23
7.5, 10	25.3	26	33	42	5	2	8	32	43	60	107	M16 x 1.5	18	30

Rated force in kN	Q	R	S	SW1	SW2	ØN1 <sub>0,1</sub>	ØN2 <sub>0,1</sub>	Sphere R	MA (Nm)	Rated displacement
1	21	25	21.5	13	17	14	7.6	60	60	< 0.5
2.5	22	26	21.5	15	19	16	9.4	60	60	< 0.5
6	23	28	21.5	22	24	24.5	12.5	100	60	< 0.5
7.5, 10	27	34	21.5	22	24	24.5	12.5	100	60	< 0.5

# 9. Specifications

EN

Version 20, 25, 50 kN



All dimensions in mm.

Rated force in kN	ØA	D	E	F	G	H	J	K1	K2	L	M	O	P	Q
20, 25	35	50	50.5	6.3	2	10	40	43	60.5	140.5	M20 x 1.5	20	30	35
50	35	50	50.5	5	2	12	70	43	57	170.5	M24 x 3	20	30	28

Rated force in kN	R	ØS	SW1	SW2	ØS	ØN1 <sub>0.1</sub>	ØN2 <sub>0.1</sub>	Sphere R	MA (Nm)	Rated displacement
20, 25	40	23	26	30	23	30	16.5	150	356	< 0.5
50	37	23	30	35	23	35	20	150	500	< 0.5

ADPR1X914096.01 06/2020 EN/DE

## 10. Accessories

WIKA accessories can be found online at [www.wika.com](http://www.wika.com).

EN

### 10.1 Cable

Cable with M12 x 1 connector

Cable socket M12 x 1		Order number		
		Length 2 m	Length 5 m	Length 10 m
4-pin with cable	straight	EZE53X011010	EZE53X011012	EZE53X011016
	angled	EZE53X011011	EZE53X011013	EZE53X011017
5-pin with cable	straight	EZE53X011043	EZE53X011044	EZE53X011047
	angled	EZE53X011045	EZE53X011046	EZE53X011071

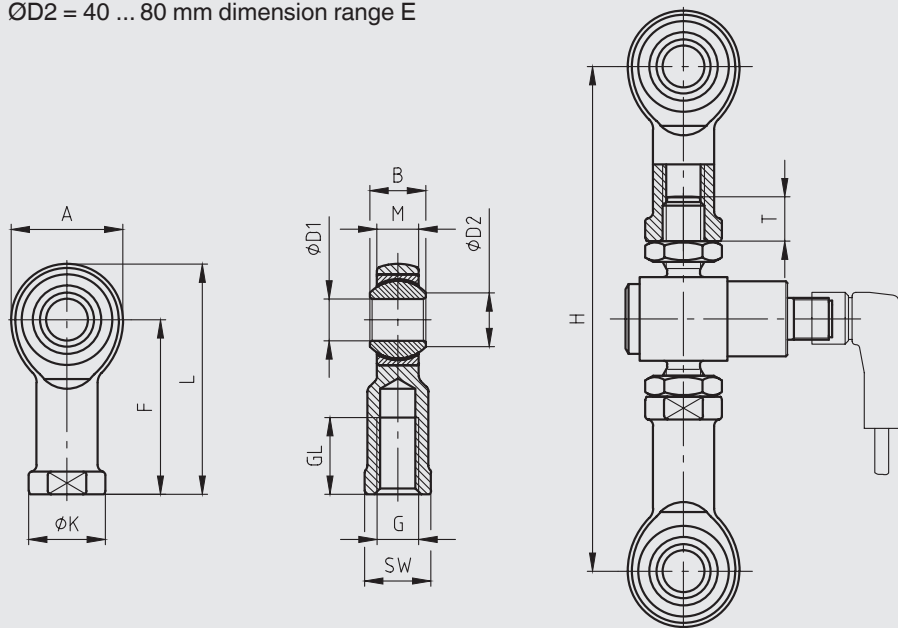
Other cable lengths and cable types are available on request.

### 10.2 Swivel heads, dimensions in mm

Accessory: Swivel heads in accordance with DIN ISO 12240-4

$\varnothing D1 = 12 \dots 25$  mm dimension range K

$\varnothing D2 = 40 \dots 80$  mm dimension range E



All dimensions in mm.

## 10. Accessories

EN

Rated force in kN	H	Minimum thread depth T
1, 2, 3, 5	148 ± 3	9.5
10	155 ± 3	9.5
20	219 ± 4	16
30	226 ± 4	16
50	276 ± 4	19.5
100	405 ± 7	31
200	466 ± 13	36
300	568 ± 11	45
500	665 ± 13	51

Rated force in kN	Weight in kg	A	B	ØD <sub>1</sub>	ØD <sub>2</sub>	F	G	GL	ØK	L	M	SW
1, 2, 3, 5, 10	0.115	32	16	12 H7	15.4	50	M12	22	22	55	12	19
20, 30	0.415	50	25	20 H7	24.3	77	M20 x 1.5	33	34	102	18	32
50	0.750	60	31	25H7	29.6	94	M24 x 2	42	42	124	22	36
100	2	92	28	40 <sub>-0.012</sub>	45	142	M39 x 3	65	65	188	23	55
200	3.5	112	35	50 <sub>-0.012</sub>	56	160	M45 x 3	68	75	216	30	65
300	8.6	160	49	70 <sub>-0.015</sub>	77.9	200	M56 x 4	80	98	280	42	85
500	12	180	55	80 <sub>-0.015</sub>	89.4	230	M64 x 4	85	110	320	47	100



Zertifiziert nach DIN EN ISO 9001:2009 DQS-Zertifikat-Reg. Nr. 004355 QM08  
 Cert. according to DIN EN ISO 9001:2008 DQS  
 Reg. No. 004355 QM0



**Declaration of EU-Conformity**  
*EU-Konformitätserklärung*

We **tec sis GmbH**  
 Wir Carl-Legien-Str. 40 - 44  
 63073 Offenbach  
 Germany

declare under our sole responsibility that the product is in conformity with requirements of the directives. The correspondingly labeled product is manufactured according of the listed directives and standards and is in accordance with the type-examination.

*erklären in alleiniger Verantwortung, dass das Produkt konform ist mit den Anforderungen der Richtlinien. Das entsprechend gekennzeichnete Produkt ist nach den aufgeführten Richtlinien und Normen hergestellt und stimmt mit der Baumusterprüfung überein.*

Product Name **Tension/Compression Load Cell**  
 Produktname *Zug/Druckkraftaufnehmer*

Product Type **F2301\*, F23S1\*, F23C1\*.XX\***  
 Typenbezeichnung *(\* = multiple alphanumeric letter, mehrere alphanumerische Zeichen; XX=12/14/15/16/17/21)*

Directives <i>Richtlinien</i>	EMC / EMV	RoHS	ATEX
EU-Directives <i>EU-Richtlinien</i>	2014/30/EU	2011/65/EU	2014/34/EU
Product Marking <i>Produktkennzeichnung</i>	CE	CE	CE 0158 II 2G Ex ib IIC T4/T3 Gb (XX=12/16/17) II 2G Ex ib IIC T4 Gb (XX=15) I M2 Ex ib I Mb (XX=14) II 2G Ex ib IIC T4 Gb (XX=21) I M2 Ex ib I Mb (XX=21)
	EN 61326-1:2013-07 EN 61326-2-3:2013-07 EN 61326-3-1:2008-11, mod.1 2009-04 EN 55011:2011-04	EN 50581:2012	EN 60079-0:2012 +A11:2013 EN 60079-11:2012
EC Type-Examination <i>EG-Baumusterprüfung</i>		---	BVS 08 ATEX E 075 X
Accredited Certification <i>Überwachungsinstanz</i>		---	DEKRA EXAM GmbH (0158) Germany

tec sis GmbH  
 Offenbach, 21.07.2017

Stefan Richter, Managing Director

tec sis GmbH  
 Carl-Legien-Str. 40-44  
 D-63073 Offenbach / Main  
 Tel.: +49 (0) 69 / 5806-0  
 Fax: +49 (0) 69 / 5806-77 88  
 E-Mail: info@tec sis.de - Internet: www.tec sis.de

Ralf Both, Engineering Manager

Sitz der Gesellschaft: Offenbach / Main  
 Registergericht: Offenbach / Main, HRB 40169  
 Geschäftsführer:  
 Reinhold Ost  
 Stefan Richter



A division of the WIKA Group



## EU-Konformitätserklärung EU Declaration of Conformity

**Dokument Nr.:** ADEUKX100008.02  
**Document No.:**

Wir erklären in alleiniger Verantwortung, dass die mit CE gekennzeichneten Produkte  
*We declare under our sole responsibility that the CE marked products*

**Typenbezeichnung:** F2303\*  
**Type Designation:**

**Beschreibung:** Kraftaufnehmer Zug/Druck  
**Description:** Force transducer tension/compression

gemäß gültigem Datenblatt: FO 51.46  
*according to the valid data sheet:*

die wesentlichen Schutzanforderungen der folgenden Richtlinien erfüllen:		Harmonisierte Normen:
<i>comply with the essential protection requirements of the directives:</i>		<i>Harmonized standards:</i>
2011/65/EU	Gefährliche Stoffe (RoHS) <i>Hazardous substances (RoHS)</i>	EN 50581:2012
2014/30/EU	Elektromagnetische Verträglichkeit (EMV) <sup>(1)</sup> <i>Electromagnetic Compatibility (EMC) <sup>(1)</sup></i>	EN 61326-1:2013-07 EN 61326-2-3:2013-07 EN 55011:2016 + A1:2017 (05-2018)

(1) Für optional eingebaute Transmitter oder Anzeigen gelten deren EU-Konformitätserklärungen und die darin gelisteten Normen.  
*For optional built-in transmitters and indicators their respective EU declarations of conformity and the therein listed standards apply.*

Unterzeichnet für und im Namen von / Signed for and on behalf of

**tecsis GmbH**

Offenbach, 2020-01-29

Stefan Richter, Managing Director

tecsis GmbH  
Carl-Legien-Str. 40 -44  
63073 Offenbach am Main  
Germany

Tel. +49 69 5906-0  
Fax +49 69 5906-7788  
E-Mail info@tecsis.de  
www.tecsis.de

Sitz Offenbach - Offenbach am Main  
Registernummer: HR B 40169  
Geschäftsführer: Stefan Richter u. Thomas Steinbacher



A division of the WIKAI Group

## EU-Konformitätserklärung EU Declaration of Conformity

**Dokument Nr.:** ADEUKX100009.01  
**Document No.:**

Wir erklären in alleiniger Verantwortung, dass die mit CE gekennzeichneten Produkte  
*We declare under our sole responsibility that the CE marked products*

**Typenbezeichnung:** F2304\*  
**Type Designation:**

**Beschreibung:** Zug-/Druckkraftaufnehmer  
**Description:** Tension/Compression force transducer

gemäß gültigem Datenblatt:  
*according to the valid data sheet:* FO 51.47

die wesentlichen Schutzanforderungen der folgenden Richtlinien erfüllen: **Harmonisierte Normen:**  
*comply with the essential protection requirements of the directives: Harmonized standards:*

2011/65/EU Gefährliche Stoffe (RoHS)  
2015/863 Hazardous substances (RoHS)

EN 50581:2012

2014/30/EU Elektromagnetische Verträglichkeit (EMV) <sup>(1)</sup>  
*Electromagnetic Compatibility (EMC) <sup>(1)</sup>*

EN 61326-1:2013  
EN 61326-2-3:2013  
EN 55011:2016 + A1:2017

(1) Für optional eingebaute Transmitter oder Anzeigen gelten deren EU-Konformitätserklärungen und die darin gelisteten Normen.  
*For optional built-in transmitters and indicators their respective EU declarations of conformity and the therein listed standards apply.*

Unterschrift für und im Namen von / Signed for and on behalf of

**tecsis GmbH**

Offenbach, 2020-06-03

  
Stefan Richter, Managing Director

tecsis GmbH  
Carl-Legien-Str. 40 - 44  
63073 Offenbach am Main  
Germany

Tel. +49 69 5806-0  
Fax +49 69 5806-7788  
E-Mail [info@tecsis.de](mailto:info@tecsis.de)  
[www.tecsis.de](http://www.tecsis.de)

Sitz Offenbach - Offenbach am Main  
Registernummer: HR B 40169  
Geschäftsführer: Stefan Richter u. Thomas Steinbacher



# Inhalt

<b>1. Allgemeines</b>	<b>50</b>
<b>2. Aufbau und Funktion</b>	<b>51</b>
2.1 Überblick Typen F2301, F23C1, F23S1	51
2.2 Überblick Typ F2303	52
2.3 Überblick Typ F2304	52
2.4 Beschreibung	53
2.5 Lieferumfang	53
<b>3. Sicherheit</b>	<b>53</b>
3.1 Symbolerklärung	53
3.2 Bestimmungsgemäße Verwendung	54
3.3 Fehlgebrauch	55
3.4 Verantwortung des Betreibers	55
3.5 Personalqualifikation	56
3.6 Persönliche Schutzausrüstung	56
3.7 Beschilderung, Sicherheitskennzeichnungen	57
3.8 Ex-Kennzeichnung	58
3.9 Signalhub-Elektronik	59
<b>4. Transport, Verpackung und Lagerung</b>	<b>60</b>
4.1 Transport	60
4.2 Verpackung und Lagerung	60
<b>5. Inbetriebnahme, Betrieb</b>	<b>61</b>
5.1 Vorkehrung vor der Montage	61
5.2 Montagehinweise	61
5.3 Montage Typen F2301, F23C1, F23S1	62
5.4 Montage Typen F2301, F23C1, F23S1 mit Gelenkköpfen	63
5.5 Montage Typ F2303	64
5.6 Montage Typ 2304	65
5.7 Elektrischer Anschluss	66
5.8 Elektrischer Anschluss Ex-Bereich	69
<b>6. Störungen</b>	<b>69</b>
<b>7. Wartung und Reinigung</b>	<b>70</b>
7.1 Wartung	70
7.2 Reinigung	71
7.3 Rekalibrierung	71
<b>8. Demontage, Rücksendung und Entsorgung</b>	<b>71</b>
8.1 Demontage	71
8.2 Rücksendung	72
8.3 Entsorgung	72
<b>9. Technische Daten</b>	<b>73</b>
9.1 Zulassungen	80
9.2 Typ F2301 Abmessungen	81
9.3 Typen F2301 (Signalhub) und F23C1 Abmessungen	83
9.4 Typ F23S1 Abmessungen	85
9.5 Typ F2303 Abmessungen	86
9.6 Typ F2304 Abmessungen	88
<b>10. Zubehör</b>	<b>90</b>
10.1 Kabel	90
10.2 Gelenkköpfe Abmessungen in mm	90
<b>Anlage: EU-Konformitätserklärung</b>	<b>92</b>

## 1. Allgemeines

- Die in der Betriebsanleitung beschriebenen Zug-/Druckkraftaufnehmer werden nach dem aktuellen Stand der Technik konstruiert und gefertigt. Alle Komponenten unterliegen während der Fertigung strengen Qualitäts- und Umweltkriterien. Unsere Managementsysteme sind nach ISO 9001 zertifiziert.
- Diese Betriebsanleitung gibt wichtige Hinweise zum Umgang mit dem Gerät. Voraussetzung für sicheres Arbeiten ist die Einhaltung aller angegebenen Sicherheitshinweise und Handlungsanweisungen.
- Die für den Einsatzbereich des Gerätes geltenden örtlichen Unfallverhütungsvorschriften und allgemeinen Sicherheitsbestimmungen einhalten.
- Die Betriebsanleitung ist Produktbestandteil und muss in unmittelbarer Nähe des Gerätes für das Fachpersonal jederzeit zugänglich aufbewahrt werden. Betriebsanleitung an nachfolgende Benutzer oder Besitzer des Gerätes weitergeben.
- Das Fachpersonal muss die Betriebsanleitung vor Beginn aller Arbeiten sorgfältig durchgelesen und verstanden haben.
- Es gelten die allgemeinen Geschäftsbedingungen in den Verkaufsunterlagen.
- Technische Änderungen vorbehalten.
- Werkskalibrierungen / DKD/DAkkS-Kalibrierungen erfolgen nach internationalen Normen.

Weitere Informationen:

- Internet-Adresse: [www.wika.de](http://www.wika.de)
- Zugehöriges Datenblatt: FO 51.17 (F2301, F23C1, F23S1)  
FO 51.47 (F2303)  
FO 51.47 (F2304)
- Anwendungsberater: Tel.: +49 9372 132-0  
Fax: +49 9372 132-406  
[info@wika.de](mailto:info@wika.de)

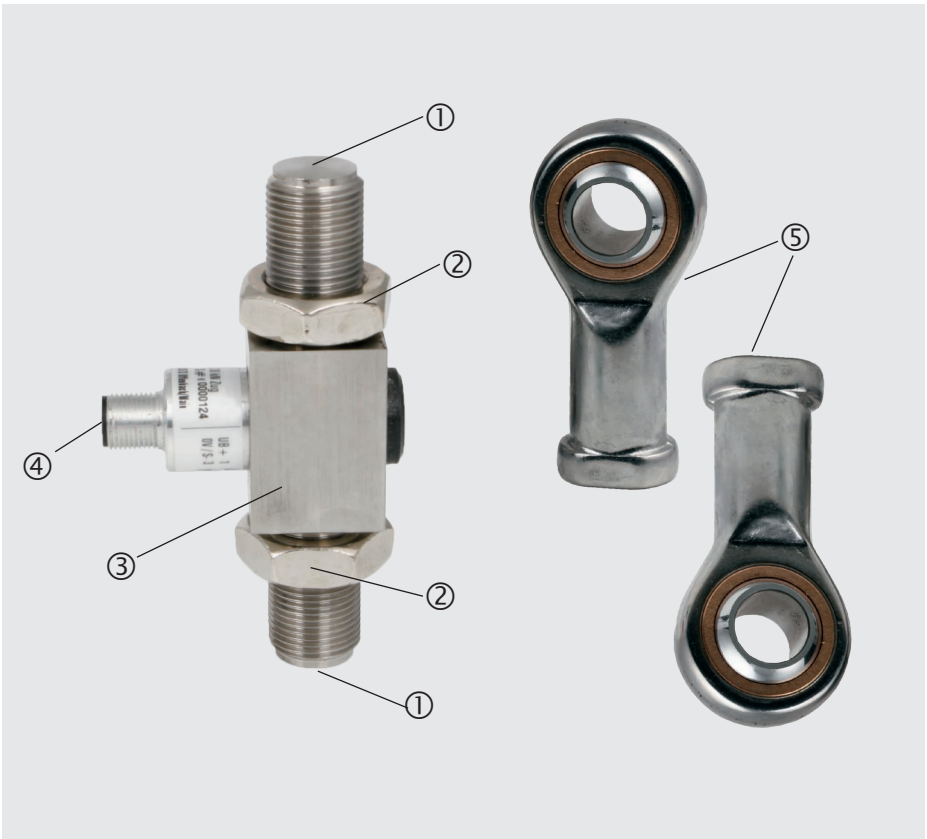
### Abkürzungen, Definitionen

2-Leiter	Die zwei Anschlussleitungen dienen zur Spannungsversorgung. Der Speisestrom ist das Messsignal.
3-Leiter	Zwei Anschlussleitungen dienen zur Spannungsversorgung. Eine Anschlussleitung dient für das Messsignal.
UB+	Positiver Versorgungsanschluss
UB-	Negativer Versorgungsanschluss
S+	Positiver Messanschluss
S-	Negativer Messanschluss
UR+	Positiver Versorgungsanschluss für Relais (Signalhub)
UR-	Negativer Versorgungsanschluss für Relais (Signalhub)
Schirm	Gehäuse
x-polig	Pinbelegung

### 2. Aufbau und Funktion

#### 2.1 Überblick Typen F2301, F23C1, F23S1

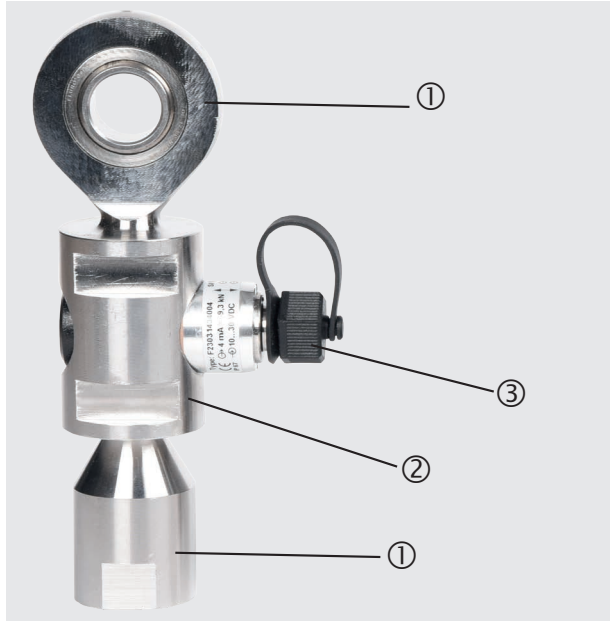
- ① Krafteinleitung (ballige Oberfläche)
- ② Kontermutter
- ③ Messfeder
- ④ Elektrischer Anschluss
- ⑤ Gelenkköpfe (optional)



## 2. Aufbau und Funktion

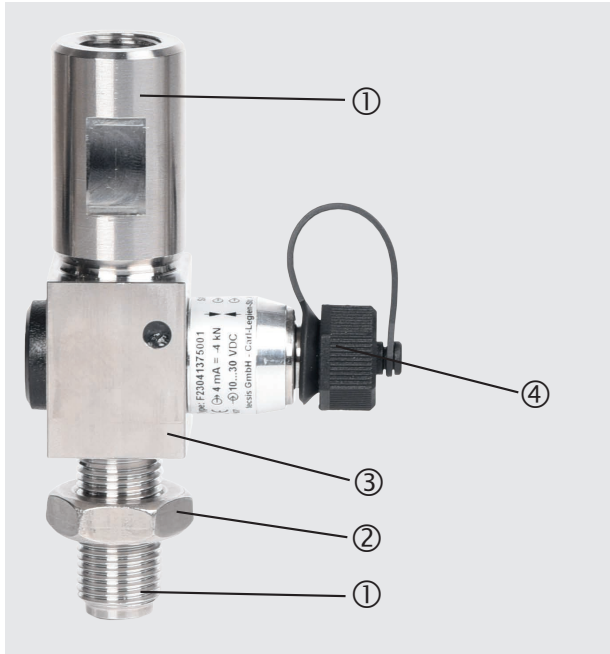
### 2.3 Überblick Typ F2303

- ① Krafeinleitung
- ② Messfeder
- ③ Elektrischer Anschluss



### 2.2 Überblick Typ F2304

- ① Krafeinleitung
- ② Kontermutter
- ③ Messfeder
- ④ Elektrischer Anschluss



### 2.4 Beschreibung

Der Zug-/Druckkraftaufnehmer ist für das Messen statischer und dynamischer Zug- und/oder Druckkräfte vorgesehen. Der Zug-/Druckkraftaufnehmer besteht aus einer Messfeder und einem eingeschweißten Dünnsensors. Der Messkörper ist aus nicht-rostendem CrNi-Stahl gefertigt und wird durch in Krafrichtung eingeleitete Zug- und/oder Druckkräfte elastisch verformt. Die entstehenden mechanischen Spannungen werden dabei durch den eingebauten Dünnsensors gemessen und durch ein elektrisches Ausgangssignal ausgegeben.

### 2.5 Lieferumfang

- Zug-/Druckkraftaufnehmer
- Betriebsanleitung

## 3. Sicherheit

### 3.1 Symbolerklärung



#### WARNUNG!

... weist auf eine möglicherweise gefährliche Situation hin, die zum Tod oder zu schweren Verletzungen führen kann, wenn sie nicht gemieden wird.



#### VORSICHT!

... weist auf eine möglicherweise gefährliche Situation hin, die zu geringfügigen oder leichten Verletzungen bzw. Sach- und Umweltschäden führen kann, wenn sie nicht gemieden wird.



#### GEFAHR!

... weist auf eine möglicherweise gefährliche Situation im explosionsgefährdeten Bereich hin, die zum Tod oder zu schweren Verletzungen führen kann, wenn sie nicht gemieden wird.



#### Information

... hebt nützliche Tipps und Empfehlungen sowie Informationen für einen effizienten und störungsfreien Betrieb hervor.

## 3.2 Bestimmungsgemäße Verwendung

Die Zug-/Druckkraftaufnehmer sind für das Messen statischer und dynamischer Zug- und/oder Druckkräfte vorgesehen.

Defekte Geräte sind an den Hersteller zurückzusenden.

DE

Typ	Ausführung
<b>F2301</b>	
Option 1	Ausführung mit Außengewinden
Option 2	Ausführung mit Außengewinden und Signalhub
<b>F23C1</b>	
Option 1	Ausführung mit Außengewinden gem. ATEX-Richtlinie 2014/34/EU ATEX-Zulassung nach EN 60079-0:2012 und EN 60079-11:2012 (Ex ib) IECEx-Zulassung nach IEC 60079-0:2011 (Ed.6) und IEC 60079-11:2011 (Ed. 6) (Ex ib)
Option 2	Ausführung mit Außengewinden UL-Zulassung nach UL 61010-1 und CSA C22.2 NO. 61010-1
<b>F23S1</b>	Ausführung mit Außengewinden gem. Anforderung nach funktionaler Sicherheit gem. Maschinenrichtlinie 2006/42/EG, gilt nur in Kombination mit einer sicheren Steuerung, bspw. ELMS1 Überlastsicherung
<b>F2303</b>	Ausführung mit Gelenkauge und Innengewinde
<b>F2304</b>	Ausführung mit Außengewinde und Innengewinde

Diese Geräte sind gemäß den Sicherheitsbestimmungen für elektronische Messgeräte gebaut und geprüft. Jeder darüber hinausgehende Gebrauch gilt als nicht bestimmungsgemäß. Die einwandfreie Funktion und Betriebssicherheit der Aufnehmer kann nur bei Einhaltung der Angaben in der Betriebsanleitung garantiert werden. Bei der Verwendung sind zusätzlich die für den jeweiligen Anwendungsfall erforderlichen Rechts- und Sicherheitsvorschriften zu beachten (z. B. VDE 0100). Sinngemäß gilt dies auch bei Verwendung von Zubehör. Zug-/Druckkraftaufnehmer sind RoHS-konform gem. Richtlinie 2011/65/EU Art. 2 Abs. (2) und Absatz (4) d), e) und g). Der einwandfreie und sichere Betrieb dieses Aufnehmers setzt sachgemäßen Transport, fachgerechte Lagerung, Aufstellung und Montage sowie sorgfältige Bedienung und Instandhaltung voraus.

Das Gerät ist ausschließlich für den hier beschriebenen bestimmungsgemäßen Verwendungszweck konzipiert und konstruiert und darf nur dementsprechend verwendet werden. Die technischen Spezifikationen in dieser Betriebsanleitung sind einzuhalten. Eine unsachgemäße Handhabung oder ein Betreiben des Gerätes außerhalb der technischen Spezifikationen macht die sofortige Stilllegung und Überprüfung durch

einen autorisierten Servicemitarbeiter erforderlich.

Elektronische Präzisionsmessgeräte mit erforderlicher Sorgfalt behandeln (vor Nässe, Stößen, starken Magnetfeldern, statischer Elektrizität und extremen Temperaturen schützen, keine Gegenstände in das Gerät bzw. Öffnungen einführen). Stecker und Buchsen vor Verschmutzung schützen.

Ansprüche jeglicher Art aufgrund von nicht bestimmungsgemäßer Verwendung sind ausgeschlossen.

### 3.3 Fehlgebrauch



#### **WARNUNG!**

#### **Verletzungen durch Fehlgebrauch**

Fehlgebrauch des Gerätes kann zu gefährlichen Situationen und Verletzungen führen.

- ▶ Eigenmächtige Umbauten am Gerät unterlassen.

Jede über die bestimmungsgemäße Verwendung hinausgehende oder andersartige Benutzung gilt als Fehlgebrauch.

### 3.4 Verantwortung des Betreibers

Das Gerät wird im gewerblichen Bereich eingesetzt. Der Betreiber unterliegt daher den gesetzlichen Pflichten zur Arbeitssicherheit.

Die Sicherheitshinweise dieser Betriebsanleitung, sowie die für den Einsatzbereich des Gerätes gültigen Sicherheits-, Unfallverhütungs- und Umweltschutzvorschriften einhalten.

Der Betreiber ist verpflichtet das Typenschild lesbar zu halten.

Für ein sicheres Arbeiten am Gerät muss der Betreiber sicherstellen,

- dass eine entsprechende Erste-Hilfe-Ausrüstung vorhanden ist und bei Bedarf jederzeit Hilfe zur Stelle ist.
- dass das Elektrofachpersonal regelmäßig in allen zutreffenden Fragen von Arbeitssicherheit, Erste Hilfe und Umweltschutz unterwiesen wird, sowie die Betriebsanleitung und insbesondere die darin enthaltenen Sicherheitshinweise kennt.
- dass das Gerät gemäß der bestimmungsgemäßen Verwendung für den Anwendungsfall geeignet ist.
- dass die persönliche Schutzausrüstung verfügbar ist.

### 3.5 Personalqualifikation



#### **WARNUNG!**

#### **Verletzungsgefahr bei unzureichender Qualifikation**

Unschlagmäßiger Umgang kann zu erheblichen Personen- und Sachschäden führen.

- ▶ Die in dieser Betriebsanleitung beschriebenen Tätigkeiten nur durch Fachpersonal nachfolgend beschriebener Qualifikation durchführen lassen.

#### **Elektrofachpersonal**

Das Elektrofachpersonal ist aufgrund seiner fachlichen Ausbildung, Kenntnisse und Erfahrungen sowie Kenntnis der landesspezifischen Vorschriften, geltenden Normen und Richtlinien in der Lage, Arbeiten an elektrischen Anlagen auszuführen und mögliche Gefahren selbstständig zu erkennen und zu vermeiden. Das Elektrofachpersonal ist speziell für das Arbeitsumfeld, in dem es tätig ist, ausgebildet und kennt die relevanten Normen und Bestimmungen. Das Elektrofachpersonal muss die Bestimmungen der geltenden gesetzlichen Vorschriften zur Unfallverhütung erfüllen.

#### **Besondere Kenntnisse bei Arbeiten mit Geräten für explosionsgefährdete Bereiche:**

Das Elektrofachpersonal muss Kenntnisse haben über Zündschutzarten, Vorschriften und Verordnungen für Betriebsmittel in explosionsgefährdeten Bereichen.

Spezielle Einsatzbedingungen verlangen weiteres entsprechendes Wissen, z. B. über aggressive Messstoffe.

### 3.6 Persönliche Schutzausrüstung

Anforderungen an benötigte Schutzausrüstung ergeben sich aus den Umgebungsbedingungen am Ort der Nutzung, anderen Produkten oder der Verknüpfung mit anderen Produkten.

Die erforderliche persönliche Schutzausrüstung muss vom Betreiber zur Verfügung gestellt werden. Der Betreiber wird durch diese Vorschläge in keinsten Weise von seinen arbeitsrechtlichen Pflichten zur Sicherheit und dem Schutz der Gesundheit der Arbeitnehmer entbunden.

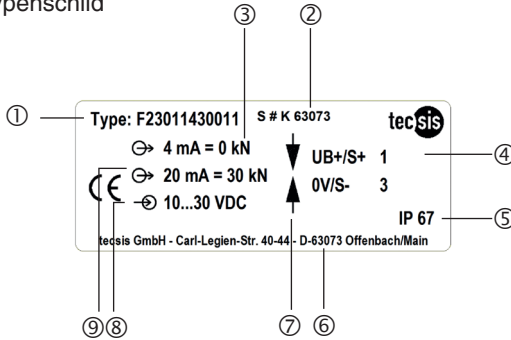
Die Bemessung der persönlichen Schutzausrüstung muss unter Berücksichtigung aller Betriebsparameter des Einsatzortes erfolgen.



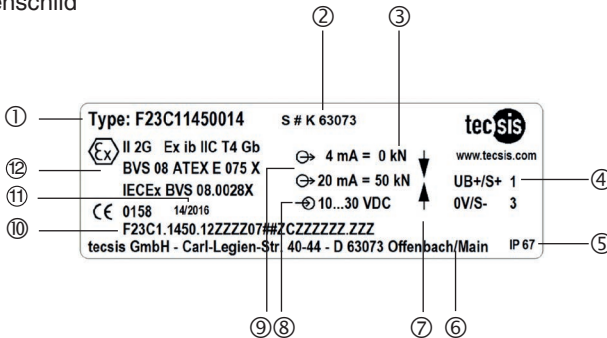
## 3.7 Beschilderung, Sicherheitskennzeichnungen

### Typenschild

Standard-Typenschild



ATEX-Typenschild



- ① Typ
- ② Seriennummer, TAG-Nummer
- ③ Messbereich
- ④ Anschlussbelegung
- ⑤ Schutzart gem. DIN EN 60259
- ⑥ Adresse
- ⑦ Kraftrichtung (Zug- oder Druckkraft)
- ⑧ Versorgungsspannung, Speisespannung bei mV/V-Sensor
- ⑨ Ausgangssignal
- ⑩ Produktcode
- ⑪ Herstellungsdatum Kalenderwoche/Jahr
- ⑫ Zulassungsrelevante Produktinformationen

## 3.8 Ex-Kennzeichnung



### GEFAHR!

#### Lebensgefahr durch Verlust des Explosionsschutzes

Die Nichtbeachtung dieser Inhalte und Anweisungen kann zum Verlust des Explosionsschutzes führen.

- ▶ Sicherheitshinweise in diesem Kapitel sowie weitere Explosionshinweise in dieser Betriebsanleitung beachten.
- ▶ Die Angaben der geltenden Baumusterprüfbescheinigung sowie die jeweiligen landesspezifischen Vorschriften zur Installation und Einsatz in explosionsgefährdeten Bereichen (z. B. IEC 60079-14, NEC, CEC) einhalten.

Sie gilt für ATEX-Geräte mit EN 60079-0:2012/ EN 60079-11:2012 (Ex ib).

Ex II 2G Ex ib IIC T4 Gb	-25 °C < T <sub>amb</sub> < +85 °C
Ex II 2G Ex ib IIC T3 Gb	-25 °C < T <sub>amb</sub> < +100 °C
Ex I M2 Ex ib I Mb	-25 °C < T <sub>amb</sub> < +85 °C
Ex II 2G Ex ib IIC T4 Gb	-40 °C < T <sub>amb</sub> < +85 °C
I M2 Ex ib I Mb	(nur mit Kabelanschluss verfügbar)

Überprüfen, ob die Einordnung für den Einsatzfall geeignet ist. Die jeweiligen nationalen Vorschriften und Bestimmungen beachten.

Zertifizierungsstelle 0158

Baumusterprüfbescheinigung IECEx BVS08.0028X / BVS 08 ATEX E 075 X

Es gelten die normalen Installationshinweise der Betriebsanleitung.

### Besondere Bedingungen für die sichere Anwendung

Die Zug-/Druckkraftaufnehmer sind zum Einsatz in folgenden Umgebungstemperaturbereichen geeignet:

Typ	Temperaturklasse	Umgebungstemperaturbereich
F*3C*.***.12*****	T4 T3	-25 °C bis +85 °C -25 °C bis +100 °C
F*3C*.***.14*****	Gruppe I	-25 °C bis +85 °C
F*3C*.***.15*****	T4	-25 °C bis +85 °C
F*3C*.***.16*****	T4 T3	-40 °C bis +85 °C -40 °C bis +100 °C
F*3C*.***.17*****	T4 T3	-45 °C bis +85 °C -45 °C bis +100 °C
F*3C*.***.21*****	T4 und Gruppe I	-40 °C bis +85 °C

Die Anschlussleitung der Zug-/Druckkraftaufnehmer Typ F\*3C\*.\*\*\*\*.15\*\*\*\*\* und F\*3C\*.\*\*\*\*.21\*\*\*\*\* muss fest verlegt werden.

An Geräten, die in Verbindung mit explosionsgefährdeten Bereichen betrieben werden, darf keine Veränderung vorgenommen werden.

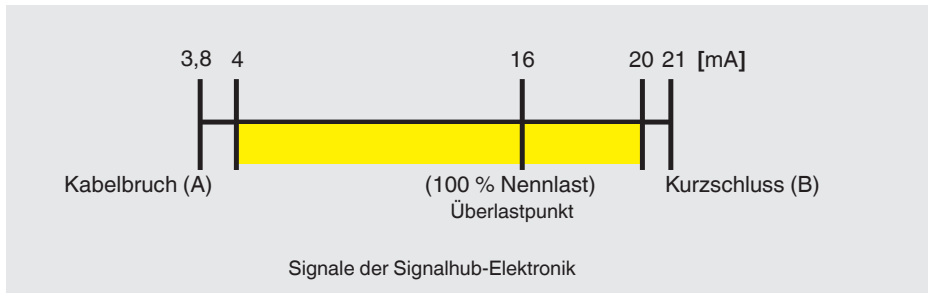
### 3.9 Signalhub-Elektronik

#### Einhaltung der funktionalen Sicherheit

Eine externe, von dem Aufnehmer unabhängige Sicherheitssteuerung muss die sichere Funktion des Aufnehmers überwachen. Der Funktionstest (Signalsprung) mit einem Signalhub von 4 mA / 2 V wird in einem Intervall von 24 Stunden ausgeführt. Die Sicherheitssteuerung aktiviert ein Relais und verändert damit definiert das Ausgangssignal des Aufnehmers.

Tritt die erwartete Änderung des Ausgangssignals auf, kann davon ausgegangen werden, dass der gesamte Signalweg korrekt funktioniert. Tritt sie nicht auf, kann auf einen Fehler in diesem Signalweg geschlossen werden.

Weiterhin soll das Messsignal durch die Sicherheitssteuerung auf Min-(A) und Max-(B) Signalwert überprüft werden, um einen evtl. auftretenden Leitungsbruch oder Kurzschluss zu erkennen. Die Standardeinstellung des Aufnehmers mit Stromausgang 4 ... 20 mA zur Überlasterkennung ist z. B.:



Mit einem fest eingestellten Signalhub von beispielsweise 4 mA kann dann in jedem Betriebszustand bei Aktivierung des Prüfrelais der Testzyklus ausgelöst werden. Die obere Messbereichsgrenze von 20 mA wird jedoch nicht erreicht und dadurch die Überprüfung des Signalhubs ermöglicht.

### 4. Transport, Verpackung und Lagerung

#### 4.1 Transport

Den Zug-/Druckkraftaufnehmer auf eventuell vorhandene Transportschäden untersuchen. Offensichtliche Schäden unverzüglich mitteilen.



#### **VORSICHT!**

#### **Beschädigungen durch unsachgemäßen Transport**

Bei unsachgemäßem Transport können Sachschäden in erheblicher Höhe entstehen.

- ▶ Beim Abladen der Packstücke bei Anlieferung sowie innerbetrieblichem Transport vorsichtig vorgehen und die Symbole auf der Verpackung beachten.
- ▶ Bei innerbetrieblichem Transport die Hinweise unter Kapitel 4.2 „Verpackung und Lagerung“ beachten.

Als Präzisionsmessgeräte verlangen die Aufnehmer beim Transport und der Montage eine sorgfältige Handhabung. Laststöße während des Transports (z. B. Aufschlag auf harten Untergrund) können zu bleibenden Schäden führen, die im späteren Messbetrieb zu Messfehlern führen.

#### 4.2 Verpackung und Lagerung

Verpackung erst unmittelbar vor der Montage entfernen.

Die Verpackung aufbewahren, denn diese bietet bei einem Transport einen optimalen Schutz (z. B. wechselnder Einbauort, Reparatursendung).

Die Messfeder ist vollständig aus Chrom-Nickel-Stahl hergestellt. Die Ausführung der Zubehörkabel entspricht ebenfalls der Schutzart IP67. Die Schutzklasse IP67 wird nur im gesteckten Zustand garantiert. Bei der Lagerung muss sich die Schutzkappe immer auf dem elektrischen Anschluss befinden, um einen Feuchtigkeitseintritt sowie Schmutz zu vermeiden.

#### **Zulässige Bedingungen am Lagerort:**

- Lagertemperatur: -40 ... +85 °C
- Feuchtigkeit: 35 ... 85 % relative Feuchte (keine Betauung)

#### **Folgende Einflüsse vermeiden:**

- Mechanische Vibration, mechanischer Schock (hartes Aufstellen)
- Staub, Schmutz und sonstige Gegenstände dürfen sich nicht so ablagern, dass sie einen Kraftnebenschluss zur Messfeder bilden, da dadurch das Messsignal verfälscht wird.

### 5. Inbetriebnahme, Betrieb

#### 5.1 Vorkehrung vor der Montage

- Zug-/Druckkraftaufnehmer sind empfindliche Messgeräte und entsprechend sorgsam zu behandeln.
- Vor der Montage des Zug-/Druckkraftaufnehmers prüfen, ob die Gewindebohrungen der Einbauposition maßhaltig ausgeführt wurden, so dass der problemlose mechanische Einbau des Zug-/Druckkraftaufnehmers gewährleistet ist.
- Vor der Montage darauf achten, dass die Bohrspäne aus den Gewindebohrungen entfernt wurden.

#### 5.2 Montagehinweise



##### **VORSICHT!**

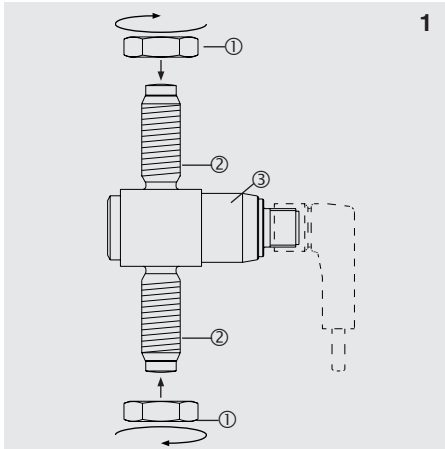
##### **Beschädigung des Gerätes durch unsachgemäße Montage**

- Beim Einbau der Kraftaufnehmer ist auf die Einbaulage und die Belastungsrichtung zu achten.
- Torsions- und Querkräfte sind zu vermeiden. Zu den Querbelastrungen und Seitenkräften gehören auch die entsprechenden Komponenten der eventuell schräg eingeleiteten Messgrößen.
- Torsionsmomente, außermittige Belastungen und Querbelastrungen bzw. Seitenkräfte verursachen Messfehler und können den Zug-/Druckkraftaufnehmer bleibend schädigen.
- Die mitgelieferten Kontermuttern dürfen in keinem Fall am Verformungskörper anliegen. Ein Spalt von 0,5 mm ist mindestens vorzusehen.
- Die Montage des Zug-/Druckkraftaufnehmers darf nicht mit Gewaltwirkung erfolgen.
- Während des Einbaus des Zug-/Druckkraftaufnehmers ist das Ausgangssignal (Kraftwert) stets zu überwachen, um eine mechanische Überlastung zu vermeiden.
- Bei Belastung in anderen Vorrichtungen als in der Applikation vorgesehen, kann eine Veränderung des Nullsignals eine dauerhafte Schädigung zur Folge haben.
- Den Zug-/Druckkraftaufnehmer nicht als Steighilfe verwenden.
- Sind hohe Querkräfte bzw. Seitenkräfte zu erwarten, empfiehlt sich der Einsatz von Gelenkköpfen (siehe Kapitel 10 „Zubehör“).

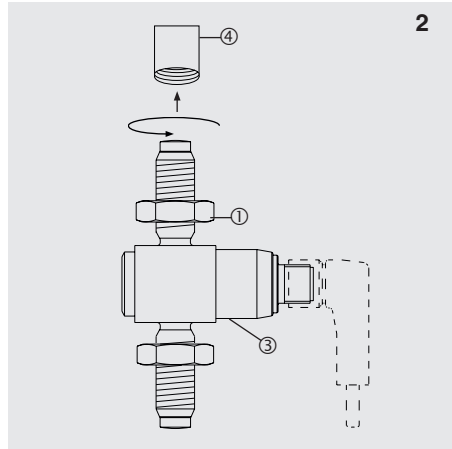
## 5.3 Montage Typen F2301, F23C1, F23S1

- ① Kontermutter
- ② Gewinde
- ③ Kraftaufnehmer
- ④ Messobjekt
- ⑤ Gegenstück Messobjekt
- ⑥ Ballige Oberfläche

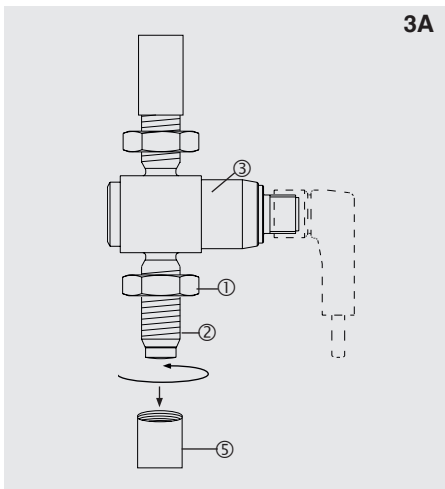
DE



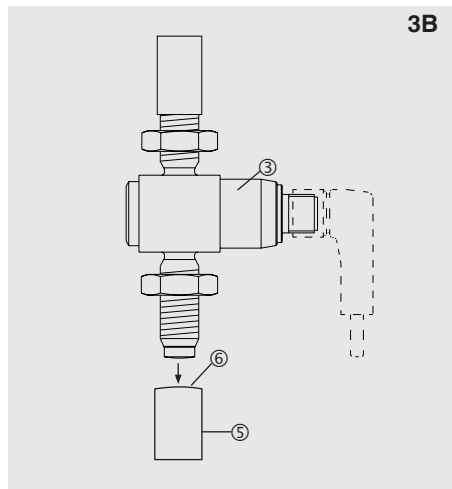
Bei Bedarf Kontermuttern auf je ein Gewinde aufschrauben.



Kraftaufnehmer in Messobjekt einschrauben. Bei Bedarf mit Kontermutter kontern. Max. Drehmoment beachten.



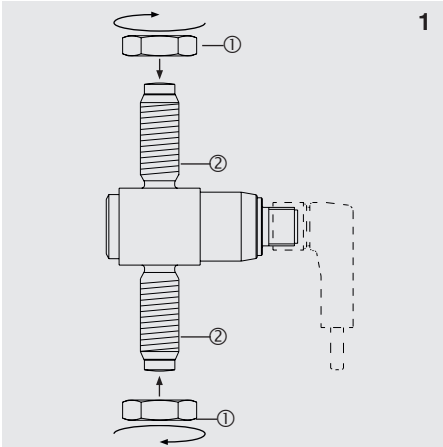
Gegenstück des Messobjekts auf freies Gewinde aufschrauben. Gegebenfalls mit Kontermutter kontern. Max. Drehmoment beachten. Kraftaufnehmer belasten.



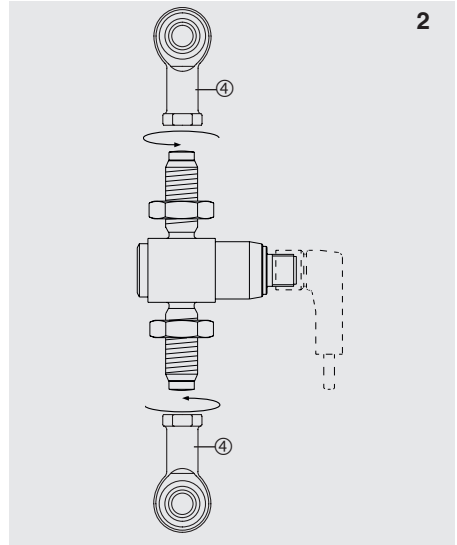
Gegenstück des Messobjekts gegen ballige Oberfläche/Stirnfläche des Kraftaufnehmers positionieren. Kraftaufnehmer belasten.

## 5.4 Montage Typen F2301, F23C1, F23S1 mit Gelenkköpfen

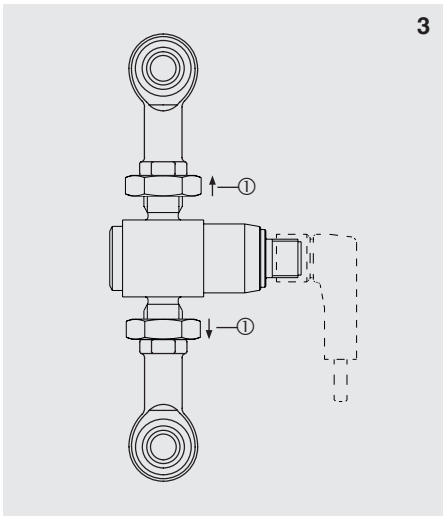
- ① Kontermutter      ④ Gelenkköpfe
- ② Gewinde          ⑤ Haltevorrichtung
- ③ Kraftaufnehmer   ⑥ Haltebolzen



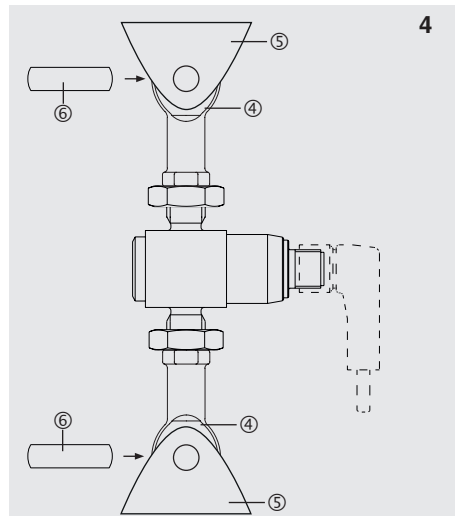
Kontermuttern auf Gewinde aufschrauben.



Gelenkköpfe auf Gewinde aufschrauben.



Kontermuttern kontern. Max. Drehmoment beachten.

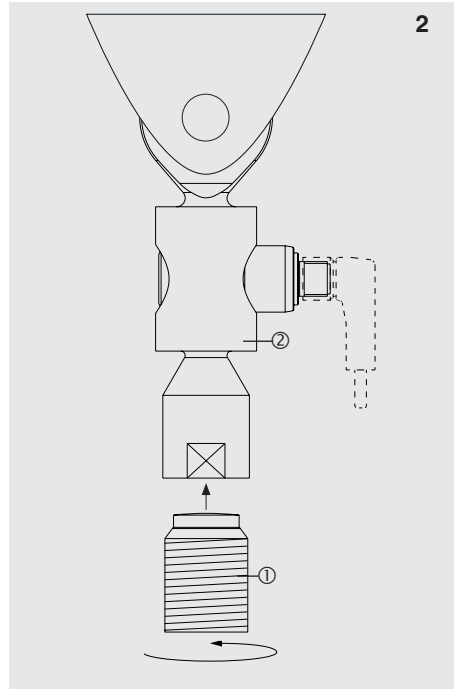
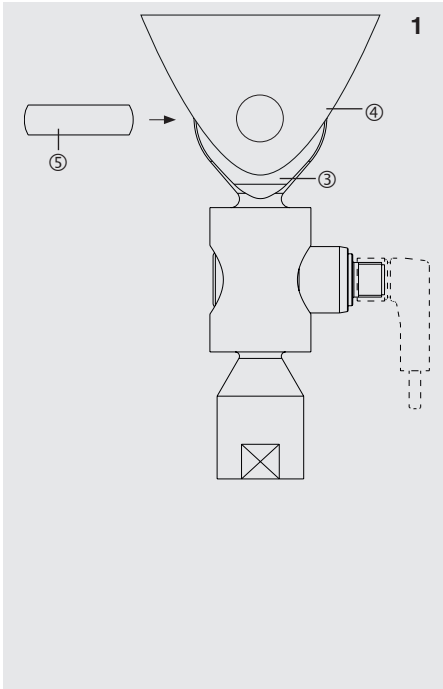


Gelenkköpfe in Haltevorrichtungen positionieren und mit Haltebolzen fixieren. Die Haltebolzen dürfen die freie Lagerung des Kraftaufnehmers nicht beeinträchtigen. Kraftaufnehmer belasten.

## 5.5 Montage Typ F2303

- ① Gewinde
- ② Kraftaufnehmer
- ③ Gelenkkopf
- ④ Haltevorrichtung
- ⑤ Haltebolzen

DE



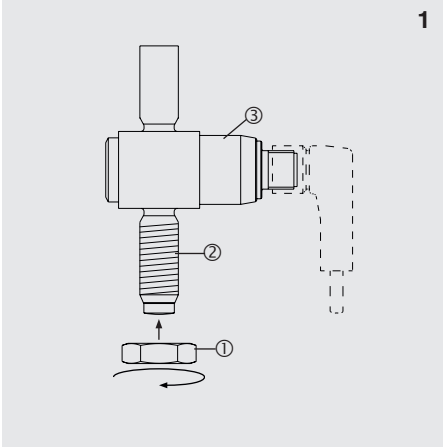
Gelenkkopf in Haltevorrichtungen positionieren und mit Haltebolzen fixieren. Der Haltebolzen darf die freie Lagerung des Kraftaufnehmers nicht beeinträchtigen.

Kraftaufnehmer auf Gewinde des Messobjekts aufschrauben. Max. Drehmoment beachten. Kraftaufnehmer belasten.

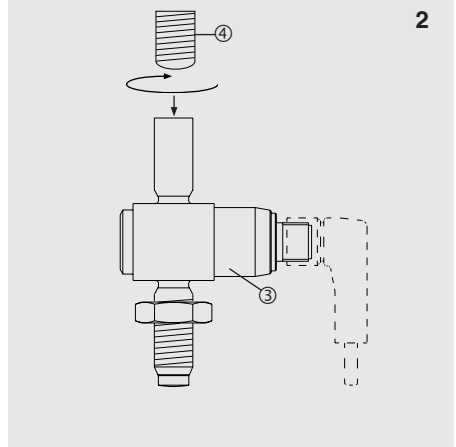


## 5.6 Montage Typ 2304

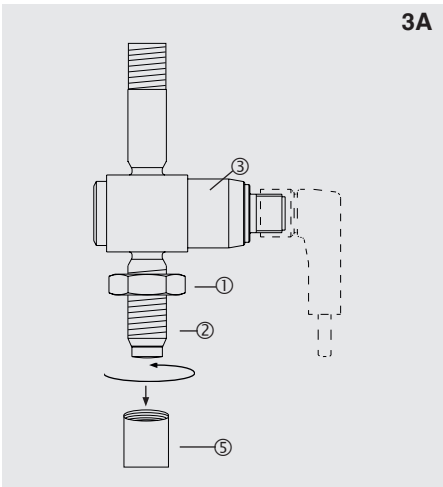
- ① Kontermutter
- ② Gewinde
- ③ Kraftaufnehmer
- ④ Messobjekt
- ⑤ Gegenstück Messobjekt
- ⑥ Ballige Oberfläche



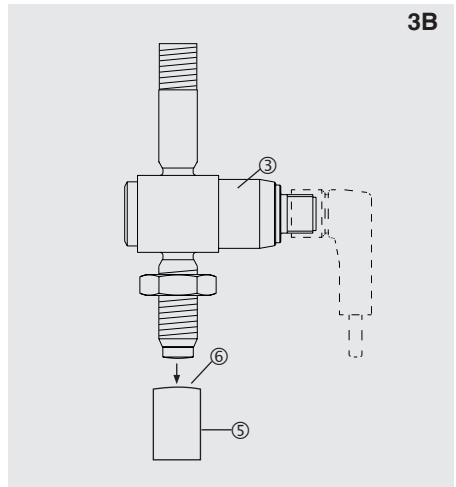
Bei Bedarf Kontermutter auf das Gewinde aufschrauben.



Kraftaufnehmer auf Messobjekt aufschrauben.



Gegenstück des Messobjekts auf freies Gewinde aufschrauben. Gegebenfalls mit Kontermutter kontern. Max. Drehmoment beachten. Kraftaufnehmer belasten.



Gegenstück des Messobjekts gegen ballige Oberfläche/Stirnfläche des Kraftaufnehmers positionieren. Kraftaufnehmer belasten.

## 5.7 Elektrischer Anschluss

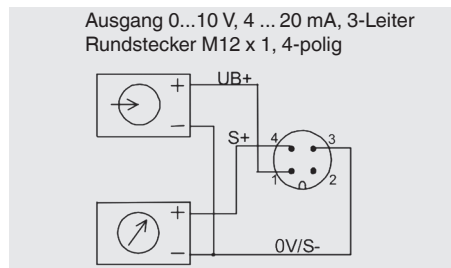
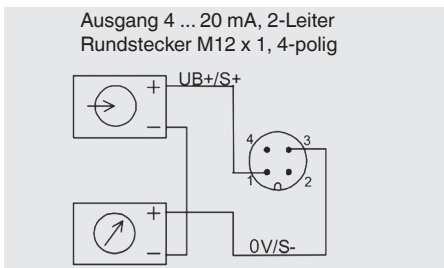
### Um Einkopplungen von Störungen zu vermeiden:

- Nur abgeschirmte, kapazitätsarme Messkabel verwenden (Kabel, siehe Kapitel 10 „Zubehör“).
- Schirm des Messkabels erden.
- Kabelschirm mit dem Gehäuse des Zug-/Druckkraftaufnehmers verbinden. Bei den Zubehörkabeln ist der Kabelschirm mit der Rändelmutter und damit mit dem Gehäuse des Zug-/Druckkraftaufnehmers verbunden (Kabel, siehe Kapitel 10 „Zubehör“).
- Messkabel nicht parallel zu Starkstrom- und Steuerleitungen legen.
- Streufelder von Transformatoren sowie Motoren und Schützen vermeiden.
- Aufnehmer, Verstärker und Verarbeitungs- bzw. Anzeigeeinheit dürfen nicht mehrfach geerdet werden. Alle Geräte an den selben Schutzleiter anschließen.

Die Anschlussbelegung des Steckers oder des Kabels ist dem Typenschild zu entnehmen.

Beim Verlängern dürfen nur abgeschirmte und kapazitätsarme Kabel verwendet werden. Die erlaubten maximalen und minimalen Längen des Kabels sind in der ISO 11898-2 angegeben. Dabei ist auf die Abschirmung zu achten.

### 5.7.1 Anschlussbelegung Analogausgang Typen F2301, F2303, F2304



#### Rundstecker M12 x 1, 4-polig

	4 ... 20 mA 2-Leiter	4 ... 20 mA 3-Leiter	0 ... 10 V 3-Leiter
UB+	1	1	1
0V/UB-	3	3	3
S+	1	4	4
S-	3	3	3
Schirm ⊕	Gehäuse	Gehäuse	Gehäuse

## 5. Inbetriebnahme, Betrieb

DE

Kabelbelegung		
Kabelfarbe	2-Leiter	3-Leiter
Braun	UB+/S+	UB+
Weiss	-	-
Blau	0V/S-	0V/S-
Schwarz	-	S+

Nur bei Verwendung der Standardkabel, z. B. EZE53X011016

### 5.7.2 Anschlussbelegung Typ F23C1 ATEX/IECEx

Rundstecker M12 x 1, 4-polig	
	ATEX Ex ib 4 ... 20 mA 2-Leiter
UB+	1
0V/UB-	3
S+	1
S-	3
Schirm ⊕	Gehäuse

Kabelbelegung	
Kabelfarbe	2-Leiter
Braun	UB+/S+
Weiss	-
Blau	0V/S-
Schwarz	-

Nur bei Verwendung der Standardkabel,  
z. B. EZE53X011016

### 5.7.3 Anschlussbelegung Typ F2301 Signalhub

Rundstecker M12 x 1, 4-polig			
	4 ... 20 mA 2-Leiter	4 ... 20 mA 3-Leiter	0...10 V 3-Leiter
UB+	1	1	1
0V/UB-	3	3	3
UR+	2	2	2
UR-	4	3	3
S+	1	4	4
S-	3	3	3
Schirm ⊕	Gehäuse	Gehäuse	Gehäuse

Kabelbelegung		
Kabelfarbe	2-Leiter	3-Leiter
Braun	UB+/S+	UB+
Weiss	UR+	UR+
Blau	0V/S-	0V/S-/UR-
Schwarz	UR-	S+

Nur bei Verwendung der Standardkabel, z. B. EZE53X011016

## 5. Inbetriebnahme, Betrieb

### 5.7.4 Anschlussbelegung Analogausgang redundant, gegenläufig

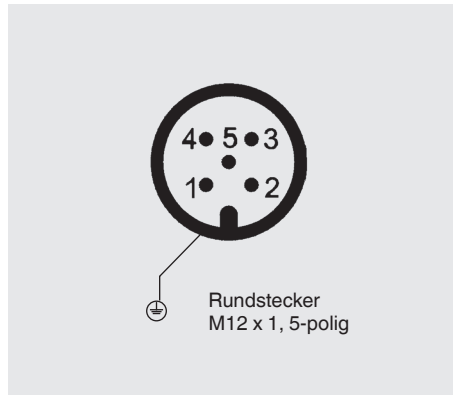
Rundstecker M12 x 1, 4-polig		
	4 ... 20 mA / 20...4 mA (redundant)	
	Stecker 1	Stecker 2
UB+	1	1
0V/UB-	3	3
Signal: Kanal 1	4	-
Signal: Kanal 2	-	4
Schirm ⊕	Gehäuse	Gehäuse



2-Stecker-Variante bspw. in Kombination mit ELMS1 Überlastsicherung (F23S1).  
Ausführung gem. Anforderung nach funktionaler Sicherheit gem. Maschinenrichtlinie  
2006/42/EG.

### 5.7.5 Anschlussbelegung CANopen®

Rundstecker M12 x 1, 5-polig	
Schirm ⊕	1
UB+ (CAN V+)	2
UB- (CAN GND)	3
Bus-Signal CAN-High	4
Bus-Signal CAN-Low	5



### 5.8 Elektrischer Anschluss Ex-Bereich

#### Elektrische Daten Versorgungs- bzw. Signalstromkreis:

- $UB_+ = DC\ 9 \dots 30\ V$
- $I_{max} = 130\ mA$
- $P_{max} = 750\ mW$
- $C_i = 13,2\ nF$

Bei Zug-/Druckkraftaufnehmern mit Kabelanschluss sind folgende Werte zusätzlich zu berücksichtigen:

- $C_L = 320\ nF/km$
- $L_L = 0,44\ mH/km$

Der Zug-/Druckkraftaufnehmer mit der Zündschutzart „ib“ darf nur mit Speisetrennern versorgt werden.

Bei redundanter Ausführung der Zug-/Druckkraftaufnehmer sind getrennte Kabelzuführungen vorzusehen. Bei einem Anschluss über ein einziges Kabel sind die Anforderungen nach IEC 60079-14 zu berücksichtigen. Unterschiedliche eigensichere Stromkreise sind im Kabel durch Schirmung zu trennen. Die Erdung aller Schirme ist sicherzustellen. Werden zwei eigensichere Stromkreise über einen Steckeranschluss mit dem Zug-/Druckkraftaufnehmer verbunden, so muss der Stecker vergossen sein und die Abstände zwischen den eigensicheren Stromkreisen müssen mindestens 1 mm betragen. Die Leitungen sind vor Beschädigung zu schützen. Beschädigte Kabel sind unverzüglich auszutauschen.

## 6. Störungen



#### **GEFAHR!** **Lebensgefahr durch Explosion**

Durch Arbeiten in entzündlichen Atmosphären besteht Explosionsgefahr, die zum Tod führen kann.

- ▶ Störungen nur in nicht-entzündlichen Atmosphären beseitigen!



#### **VORSICHT!** **Körperverletzungen, Sachschäden**

Können Störungen mit Hilfe der aufgeführten Maßnahmen nicht beseitigt werden, den Zug-/Druckkraftaufnehmer unverzüglich außer Betrieb setzen.

- ▶ Kontakt mit dem Hersteller aufnehmen.
- ▶ Bei notwendiger Rücksendung die Hinweise unter Kapitel 9.2 „Rücksendung“ beachten.



Kontaktdaten siehe Kapitel 1 „Allgemeines“ oder Rückseite der Betriebsanleitung.

DE

Störungen	Ursachen	Maßnahmen
Kein Ausgangssignal	Keine oder falsche Hilfsenergie, Stromstoß	Hilfsenergie korrigieren
	Leitungsbruch	Durchgang überprüfen
Kein oder falsches Ausgangssignal	Falsche Pinbelegung	Pinbelegung prüfen
Abweichendes Nullpunkt-Signal	Überlast, Last-Offset, falscher Anschluss	Rücksprache mit Hersteller
Gleichbleiben des Ausgangssignals bei Kraftänderung	Mechanische Überlastung, falsche Pinbelegung	Rücksprache mit Hersteller
Signalspanne schwankend	EMV-Störquellen in Umgebung, z. B. Frequenzumrichter	Gerät abschirmen; Leitungsabschirmung; Störquelle entfernen
Signalspanne fällt ab/zu klein	Mechanische Überlastung	Rücksprache mit Hersteller

## 7. Wartung und Reinigung



Kontaktdaten siehe Kapitel 1 „Allgemeines“ oder Rückseite der Betriebsanleitung.

### 7.1 Wartung

Dieses Gerät ist wartungsfrei.

Reparaturen sind ausschließlich vom Hersteller durchzuführen.  
Nur Originalteile verwenden (siehe Kapitel 10 „Zubehör“).

### 7.2 Reinigung

1. Vor der Reinigung den Zug-/Druckkraftaufnehmer ordnungsgemäß von der Spannungsversorgung trennen und ausbauen.
2. Den Zug-/Druckkraftaufnehmer mit einem Tuch reinigen.  
Elektrische Anschlüsse nicht mit Feuchtigkeit in Berührung bringen!



#### **VORSICHT!**

#### **Beschädigung des Gerätes**

Eine unsachgemäße Reinigung führt zur Beschädigung des Gerätes!

- ▶ Keine aggressiven Reinigungsmittel verwenden.
- ▶ Keine harten und spitzen Gegenstände zur Reinigung verwenden.

### 7.3 Rekalibrierung

#### **DKD/DAkkS-Schein - amtliche Bescheinigungen:**

Es wird empfohlen, den Zug-/Druckkraftaufnehmer in regelmäßigen Zeitabständen von ca. 24 Monaten durch den Hersteller rekalibrieren zu lassen. Die Grundeinstellungen werden wenn notwendig korrigiert.

## 8. Demontage, Rücksendung und Entsorgung

### 8.1 Demontage

Den Zug-/Druckkraftaufnehmer entlasten und vom Strom trennen. Den Zug-/Druckkraftaufnehmer aus der Einbausituation entfernen.

### 8.2 Rücksendung

#### Beim Versand des Gerätes unbedingt beachten:

Alle an WIKA gelieferten Geräte müssen frei von Gefahrstoffen (Säuren, Laugen, Lösungen, etc.) sein und sind daher vor der Rücksendung zu reinigen.

DE

Zur Rücksendung des Gerätes die Originalverpackung oder eine geeignete Transportverpackung verwenden.

#### Um Schäden zu vermeiden:

1. Das Gerät in eine antistatische Plastikfolie einhüllen.
2. Das Gerät mit dem Dämmmaterial in der Verpackung platzieren.  
Zu allen Seiten der Transportverpackung gleichmäßig dämmen.
3. Wenn möglich einen Beutel mit Trocknungsmittel der Verpackung beifügen.
4. Sendung als Transport eines hochempfindlichen Messgerätes kennzeichnen.



Hinweise zur Rücksendung befinden sich in der Rubrik „Service“ auf unserer lokalen Internetseite.

### 8.3 Entsorgung

Durch falsche Entsorgung können Gefahren für die Umwelt entstehen. Gerätekomponenten und Verpackungsmaterialien entsprechend den landesspezifischen Abfallbehandlungs- und Entsorgungsvorschriften umweltgerecht entsorgen.



Nicht mit dem Hausmüll entsorgen. Für eine geordnete Entsorgung gemäß nationaler Vorgaben sorgen.



## 9. Technische Daten

Typ	F2301	F23S1
Nennkraft $F_{nom}$ kN	1, 2, 3, 5, 10, 20, 30, 50, 100, 200, 300, 500	3, 5, 10, 20, 30, 50, 100
Relative Linearitätsabweichung $d_{lin}$ <sup>1)</sup>	$\pm 0,5 \% F_{nom}$	
Relative Umkehrspanne $v$	$< 0,1 \% F_{nom}$	
Relatives Kriechen, 30 min. bei $F_{nom}$	$0,1 \% F_{nom}$	
Temperatureinfluss auf		
den Kennwert $TK_C$	$0,4 \% F_{nom} / 10 K$	
das Nullsignal $TK_0$	$0,4 \% F_{nom} / 10 K$	
Grenzkraft $F_L$	$150 \% F_{nom}$	
Bruchkraft $F_B$	$300 \% F_{nom}$	
Zulässige Schwingbeanspruchung $F_{rb}$	$\pm 50 \% F_{nom}$ (nach DIN 50100)	
Nennmessweg (typisch) $s_{nom}$		
<10 kN	< 0,02 mm	
<100 kN	< 0,2 mm	
Material des Messkörpers	Korrosionsbeständiger CrNi-Stahl, ultraschallgeprüftes 3.1 Material (optional 3.2)	
Nenntemperaturbereich $B_{T, nom}$	$-20 \dots +80 \text{ }^\circ\text{C}$	
Gebrauchstemperaturbereich $B_{T, G}$	$-30 \dots +80 \text{ }^\circ\text{C}$	
Lagerungstemperaturbereich $B_{T, S}$	$-40 \dots +85 \text{ }^\circ\text{C}$	
Elektrischer Anschluss	Rundstecker M12 x 1 4-polig / CANopen <sup>®</sup> 5-polig	2-Steckervariante M12 x 1 4-polig
Ausgangssignal (Nennwert) $C_{nom}$	4 ... 20 mA, 2-Leiter 4 ... 20 mA, 3-Leiter oder DC 0 ... 10 V, 3-Leiter (Optional redundantes Signal) CANopen <sup>®</sup> Protokoll gemäß CiA 301, Geräteprofil 404, Kommunikationsdienst LSS (CiA 305), Konfiguration der Geräte-Adresse u. Baudrate Sync/Async, Node/Lifeguard- ding, Heartbeat; Nullpunkt und Spanne $\pm 10 \%$ einstellbar über Einträge ins Objektverzeichnis 2)	Redundant, gegenläufig 4 ... 20 mA / 20 ... 4 mA Ausführung gem. Anforderung nach funktionaler Sicherheit gem. Maschinen- richtlinie 2006/42/EG

## 9. Technische Daten

Typ	F2301	F23S1
<b>Strom/Leistungsaufnahme</b>	Stromausgang 4 ... 20 mA 2-Leiter: Signalstrom Stromausgang 4 ... 20 mA 3-Leiter: < 8 mA Spannungsausgang: < 8 mA CANopen®: <1 W	Stromausgang 4 ... 20 mA: Signalstrom
<b>Hilfsenergie</b>	DC 10 ... 30 V für Stromausgang DC 14 ... 30 V für Spannungsausgang DC 12 ... 30 V für CANopen®	DC 10 ... 30 V für Stromausgang
<b>Bürde</b>	≤ (UB – 10 V)/0,024 A für Stromausgang > 10 kΩ für Spannungsausgang	≤ (UB – 10 V)/0,020 A (Kanal 1) für Stromausgang ≤ (UB – 7 V)/0,020 A (Kanal 2) für Stromausgang
<b>Schutzart (nach EN/IEC 60529)</b>	IP67	
<b>Vibrationsbeständigkeit (nach DIN EN 60068-2-6)</b>	20 g, 100 h, 50 ... 150 Hz	
<b>Elektrische Schutzarten</b>	Verpolungs-, Überspannungs- und Kurzschlusschutz	
<b>Störemission</b>	DIN EN 55011	
<b>Störfestigkeit</b>	nach DIN EN 61326-1/DIN EN 61326-2-3 (optional EMV-geschützte Ausführungen)	
<b>Optionen</b>	Zeugnisse, Festigkeitsnachweise, 3D-/CAD Daten (STEP, IGES) auf Anfrage	

1) Relative Linearitätsabweichung ist gem. Richtlinie VDI/VDE/DKD 2638 Kap. 3.2.6 angegeben.

2) Protokoll gem. CiA 301, Geräteprofil 404, Kommunikationsdienst LSS (CiA 305).

CANopen® und CiA® sind registrierte Gemeinschaftsmarken des CAN in Automation e. V.

# 9. Technische Daten

DE

Typ	F23C1 ATEX/IECEX EX ib 1)	F2301 Signalhub
<b>Nennkraft <math>F_{nom}</math> kN</b>	1, 2, 3, 5, 10, 20, 30, 50, 100	
<b>Relative Linearitätsabweichung <math>d_{lin}</math> 2)</b>	$\pm 0,5 \% F_{nom}$	
<b>Relative Umkehrspanne v</b>	$< 0,1 \% F_{nom}$	
<b>Relatives Kriechen</b>	0,1 % $F_{nom}$	
<b>Temperatureinfluss auf</b>		
den Kennwert $TK_C$	0,4 % $F_{nom} / 10 K$	
das Nullsignal $TK_0$	0,4 % $F_{nom} / 10 K$	
<b>Grenzkraft <math>F_L</math></b>	150 % $F_{nom}$	
<b>Bruchkraft <math>F_B</math></b>	300 % $F_{nom}$	
<b>Zulässige Schwingbeanspruchung <math>F_{rb}</math></b>	$\pm 50 \% F_{nom}$ (nach DIN 50100)	
<b>Nennmessweg (typisch) <math>s_{nom}</math></b>		
<10 kN	< 0,02 mm	
<100 kN	< 0,2 mm	
<b>Material des Messkörpers</b>	Korrosionsbeständiger CrNi-Stahl, ultraschallgeprüftes 3.1 Material (optional 3.2)	
<b>Nenntemperatur <math>B_{T, nom}</math></b>	-20 ... +80 °C	
<b>Gebrauchstemperatur <math>B_{T, G}</math></b>	Ex II 2G Ex ib IICT4 Gb -25 °C < $T_{amb}$ < +85 °C Ex II 2G Ex ib IIC T3 Gb -25 °C < $T_{amb}$ < +100 °C Ex I M2 Ex ib I Mb -25 °C < $T_{amb}$ < +85 °C Ex II 2G Ex ib IIC T4 Gb -40 °C < $T_{amb}$ < +85 °C Ex I M2 Ex ib I Mb (nur mit Kabelanschluss verfügbar)	-30 ... +80 °C
<b>Lagerungstemperatur <math>B_{T, S}</math></b>	-40 ... +85 °C	
<b>Elektrischer Anschluss</b>	Rundsteckverbinder M12 x 1, 4-polig	
<b>Ausgangssignal (Nennkennwert) <math>C_{nom}</math></b>	4 ... 20 mA, 2-Leiter	4 ... 16 mA, 2-Leiter 3) DC 2 ... 8 V, 3-Leiter 3)

ADPR1X914096.01 06/2020 EN/DE

## 9. Technische Daten

Typ	F23C1 ATEX/IECEX EX ib 1)	F2301 Signalhub
<b>Strom/Leistungsaufnahme</b>	Stromausgang 4...20 mA 2-Leiter: Signalstrom	Stromausgang 4...20 mA 2-Leiter: Signalstrom Stromausgang 4...20 mA 3-Leiter: < 8 mA Spannungsausgang: < 8 mA
<b>Hilfsenergie</b>	DC 10 ... 30 V für Stromausgang	DC 10 ... 30 V für Stromausgang DC 14 ... 30 V für Spannungsausgang
<b>Bürde</b>	≤ (UB – 10 V)/0,024 A für Stromausgang > 10 kΩ für Spannungsausgang	
<b>Schutzart (nach IEC/EN 60529)</b>	IP67	
<b>Elektrische Schutzarten</b>	Verpolungs-, Überspannungs- und Kurzschlusschutz	
<b>Vibrationsbeständigkeit</b>	20 g, 100 h, 50 ... 150 Hz nach DIN EN 60068-2-6	
<b>Störemission</b>	DIN EN 55011	
<b>Störfestigkeit</b>	Nach DIN EN 61326-1/DIN EN 61326-2-3 (optional EMV-verstärkte Ausführungen)	
<b>Optionen</b>	Zeugnisse, Festigkeitsnachweise, 3D-/CAD Daten (STEP, IGES) auf Anfrage	

1) Die Kraftaufnehmer mit der Zündschutzart „ib“ dürfen nur mit potenzialgetrennten Speisegeräten versorgt werden.

2) Relative Linearitätsabweichung ist gem. Richtlinie VDI/VDE/DKD 2638 Kap. 3.2.6 angegeben.

3) Andere Signalhübe sind auf Anfrage realisierbar.

## 9. Technische Daten

DE

Typ	F2303
Nennkraft $F_{nom}$ kN	10, 18, 20, 34, 45
Relative Linearitätsabweichung $d_{lin}$ <sup>1)</sup>	$\pm 0,5 \% F_{nom}$
Relative Umkehrspanne $v$	$< 0,1 \% F_{nom}$
Relatives Kriechen, 30 min. bei $F_{nom}$	$0,1 \% F_{nom}$
Temperatureinfluss auf	
den Kennwert $TK_C$	$0,4 \% F_{nom} / 10 K$
das Nullsignal $TK_0$	$0,4 \% F_{nom} / 10 K$
Grenzkraft $F_L$	$150 \% F_{nom}$
Bruchkraft $F_B$	$300 \% F_{nom}$
Zulässige Schwingbeanspruchung $F_{rb}$	$\pm 50 \% F_{nom}$ (nach DIN 50100)
Nennmessweg (typisch) $s_{nom}$	$< 0,1 mm$
Material des Messkörpers	Korrosionsbeständiger CrNi-Stahl, ultraschallgeprüftes 3.1 Material (optional 3.2)
Nenntemperaturbereich $B_{T, nom}$	$-20 \dots +80 \text{ }^\circ C$
Gebrauchstemperaturbereich $B_{T, G}$	$-30 \dots +80 \text{ }^\circ C$
Lagerungstemperaturbereich $B_{T, S}$	$-40 \dots +85 \text{ }^\circ C$
Elektrischer Anschluss	Rundstecker M12x1, 4-polig
Ausgangssignal (Nennkennwert) $C_{nom}$	4 ... 20 mA, 2-Leiter, 4 ... 20 mA, 3-Leiter oder DC 0 ... 10 V, 3-Leiter, (optional redundantes Signal) CANopen <sup>®</sup> Protokoll gemäß CiA 301, Geräteprofil 404, Kommunikationsdienst LSS (CiA 305), Konfiguration der Geräte-Adresse u. Baudrate Sync/Async, Node/Lifeguarding, Heartbeat; Nullpunkt und Spanne $\pm 10 \%$ einstellbar über Einträge ins Objektverzeichnis <sup>2)</sup>
Strom/Leistungsaufnahme	Stromausgang 4 ... 20 mA 2-Leiter: Signalstrom
Hilfsenergie	DC 10 ... 30 V für Stromausgang
Bürde	$\leq (UB-10 V)/0,024 A$ für Stromausgang
Schutzart (nach EN/IEC 60529)	IP 67
Vibrationsbeständigkeit (nach DIN EN 60068-2-6)	20 g, 100 h, 50 ... 150 Hz
Elektrische Schutzarten	Verpolungs-, Überspannungs- und Kurzschlusschutz
Störemission	DIN EN 55011
Störfestigkeit	nach DIN EN 61326-1/DIN EN 61326-2-3 (optional EMV-geschützte Ausführungen)
Optionen	Zeugnisse, Festigkeitsnachweise, 3D-/CAD Daten (STEP, IGES) auf Anfrage

1) Relative Linearitätsabweichung ist gem. Richtlinie VDI/VDE/DK 2638 Kap. 3.2.6 angegeben.

2) Protokoll gem. CiA 301, Geräteprofil 404, Kommunikationsdienst LSS (CiA 305).

## 9. Technische Daten

Typ	F2304
Nennkraft $F_{nom}$ kN	1, 2,5, 7,5, 10, 20, 25
Relative Linearitätsabweichung $d_{lin}^{(2)}$	$\pm 0,5 \% F_{nom}$
Relative Umkehrspanne $v$	$< 0,1 \% F_{nom}$
Relatives Kriechen, 30 min. bei $F_{nom}$	$0,1 \% F_{nom}$
Temperatureinfluss auf	
den Kennwert $TK_C$	$0,4 \% F_{nom} / 10 \text{ K}$
das Nullsignal $TK_0$	$0,4 \% F_{nom} / 10 \text{ K}$
Grenzkraft $F_L$	$150 \% F_{nom}$
Bruchkraft $F_B$	$300 \% F_{nom}$
Zulässige Schwingbeanspruchung $F_{rb}$	$\pm 50 \% F_{nom}$ (nach DIN 50100)
Nennmessweg (typisch) $s_{nom}$	$< 0,1 \text{ mm}$
Material des Messkörpers	Korrosionsbeständiger CrNi-Stahl, ultraschallgeprüftes 3.1 Material (optional 3.2)
Nenntemperaturbereich $B_{T, nom}$	$-20 \dots +80 \text{ }^\circ\text{C}$
Gebrauchstemperaturbereich $B_{T, G}$	$-30 \dots +80 \text{ }^\circ\text{C}$
Lagerungstemperaturbereich $B_{T, S}$	$-40 \dots +85 \text{ }^\circ\text{C}$
Elektrischer Anschluss	Rundstecker M12 x 1, 4-polig
Ausgangssignal (Nennkennwert) $C_{nom}$	4 ... 20 mA, 2-Leiter, 4 ... 20 mA, 3-Leiter oder DC 0 ... 10 V, 3-Leiter, (Optional redundantes Signal), CANopen® Protokoll gemäß CiA 301, Geräteprofil 404, Kommunikationsdienst LSS (CiA 305), Konfiguration der Geräte-Adresse u. Baudrate Sync/ Async, Node/Lifeguarding, Heartbeat; Nullpunkt und Spanne $\pm 10 \%$ einstellbar über Einträge ins Objektverzeichnis <sup>3)</sup>
Strom/Leistungsaufnahme	Stromausgang 4 ... 20 mA, 2-Leiter: Signalstrom
Hilfsenergie	DC 10 ... 30 V für Stromausgang
Bürde	$\leq (UB - 10 \text{ V})/0,024 \text{ A}$ für Stromausgang
Schutzart (nach EN/IEC 60529)	IP67
Vibrationsbeständigkeit (nach DIN EN 60068-2-6)	20 g, 100 h, 50 ... 150 Hz
Elektrische Schutzarten	Verpolungs-, Überspannungs- und Kurzschlusschutz
Störemission	DIN EN 55011

## 9. Technische Daten

Typ	F2304
Störfestigkeit	nach DIN EN 61326-1/DIN EN 61326-2-3 (optional EMV-geschützte Ausführungen)
Optionen	Zeugnisse, Festigkeitsnachweise, 3D-/CAD Daten (STEP, IGES) auf Anfrage

1) Die Kraftaufnehmer mit der Zündschutzart „ib“ dürfen nur mit potenzialgetrennten Speisegeräten versorgt werden.






2) Relative Linearitätsabweichung ist gem. Richtlinie VDI/VDE/DKD 2638 Kap. 3.2.6 angegeben.

3) Protokoll gem. CiA 301, Geräteprofil 404, Kommunikationsdienst LSS (CiA 305).

CANopen® und CiA® sind registrierte Gemeinschaftsmarken des CAN in Automation e. V.

DE

## 9.1 Zulassungen

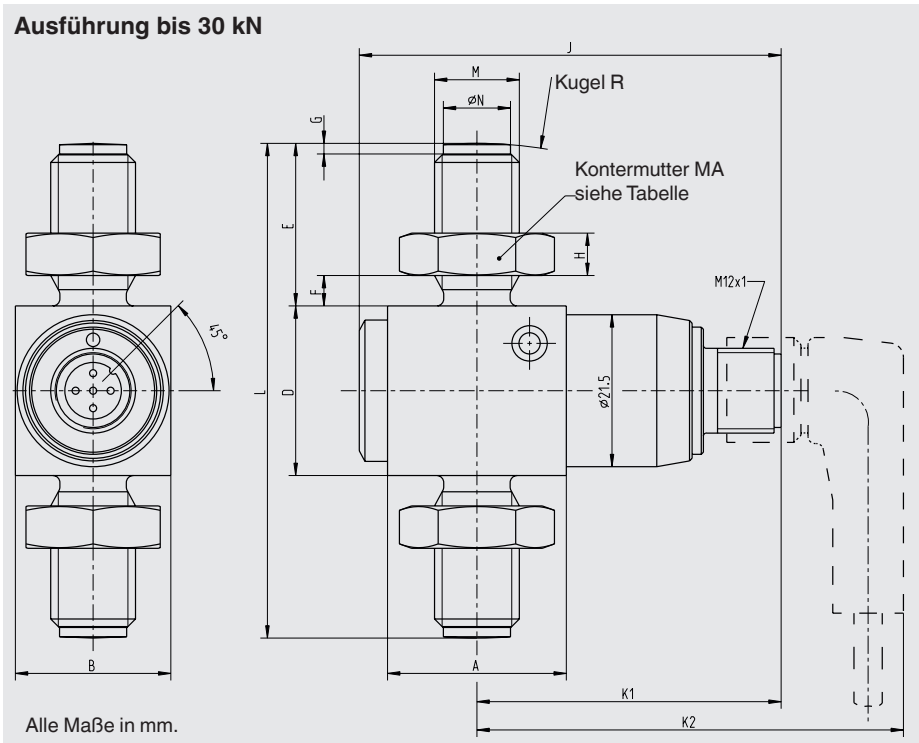
Logo	Beschreibung	Land
	<b>EU-Konformitätserklärung</b> ■ EMV-Richtlinie ■ RoHS-Richtlinie	Europäische Union
	<b>ATEX-Richtlinie (Option)</b> Explosionsgefährdete Bereiche Ex ib Ex II 2G Ex ib IIC T4 Gb $-25\text{ °C} < T_{\text{amb}} < +85\text{ °C}$ Ex II 2G Ex ib IIC T3 Gb $-25\text{ °C} < T_{\text{amb}} < +100\text{ °C}$ Ex I M2 Ex ib I Mb $-25\text{ °C} < T_{\text{amb}} < +85\text{ °C}$ Ex II 2G Ex ib IIC T4 Gb $-40\text{ °C} < T_{\text{amb}} < +85\text{ °C}$ I M2 Ex ib I Mb (nur mit Kabelanschluss verfügbar)	Europäische Union
	<b>IECEx (Option)</b> Explosionsgefährdete Bereiche Ex ib Ex ib IIC T4/T3 Gb $-25\text{ °C} < T_{\text{amb}} < +85\text{ °C}$ Ex ib IIC T4 Gb $-25\text{ °C} < T_{\text{amb}} < +100\text{ °C}$ Ex ib I Mb $-25\text{ °C} < T_{\text{amb}} < +85\text{ °C}$ Ex ib IIC T4 Gb $-40\text{ °C} < T_{\text{amb}} < +85\text{ °C}$	International
	<b>UL</b> Komponentenzulassung	USA und Kanada
	<b>EAC</b> ■ EMV-Richtlinie	Eurasische Wirtschaftsgemeinschaft

DE



# 9. Technische Daten

## 9.2 Typ F2301 Abmessungen

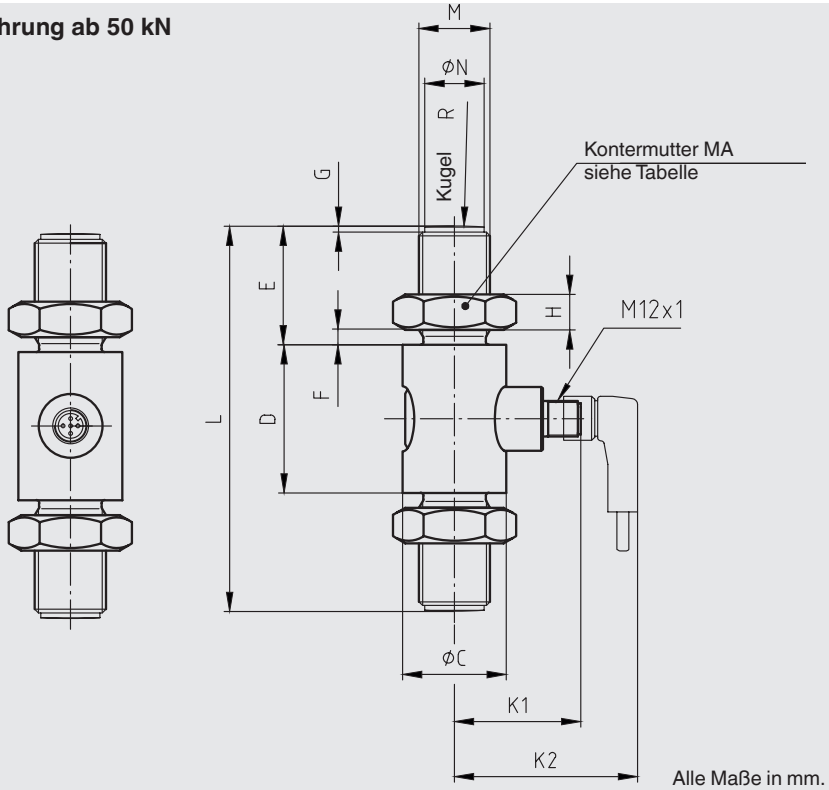


Nennkraft in kN	A	B	D	E	F	G	H	J	K1	K2	L
1, 2, 3	25,3	22	24	23	4,3	1,5	6	59,7	43	63	70
5	25,3	22	24	23	4,3	1,5	6	59,7	43	63	70
10	25,3	22	31	23	4,3	1,5	6	59,7	43	63	77
20	25,3	26	33	34	3,8	2	10	59,7	43	63	101
30	27,6	27,5	40	34	3,8	2	10	61,5	44	64	108

Nennkraft in kN	M	N -0,1	Kugel R	MA (Nm)	Nennmessweg
1, 2, 3	M12	9,5	60	60	< 0,02
5	M12	9,5	60	60	< 0,02
10	M12	9,5	80	60	< 0,02
20	M20 x 1,5	17	100	300	< 0,2
30	M20 x 1,5	17	120	300	< 0,2

ADPR1X914096.01 06/2020 EN/DE

## Ausführung ab 50 kN

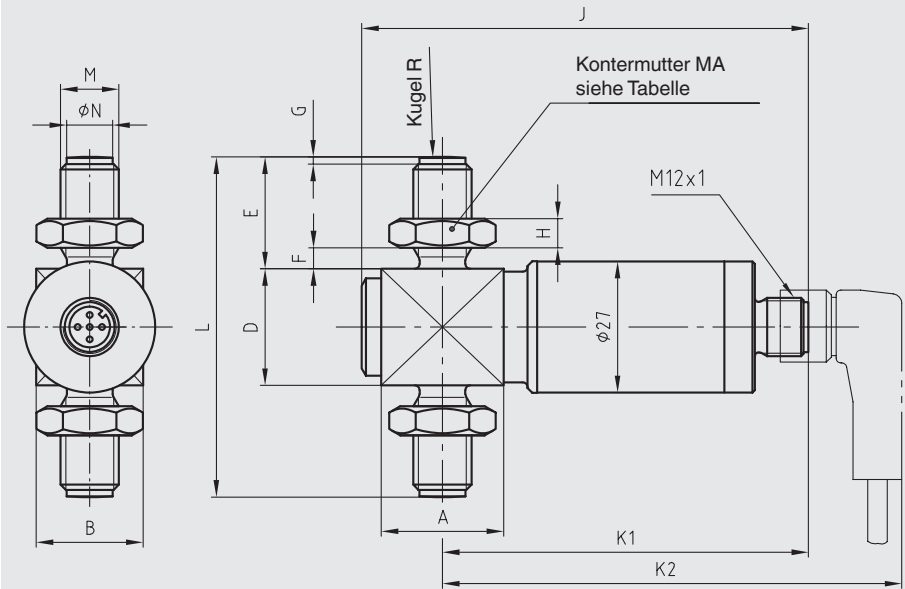


Nennkraft in kN	C	D	E	F	G	H	K1	K2	L
50	35	50	40	5	2	12	43	62	130
100	54	54	68	10	3	19,5	44	64	190
200	67	67	82	12	3	22,5	45	65	231
300	73	73	98	14	3	28	49	69	269
500	94	94	113	17	3	32	59	79	320

Nennkraft in kN	M	N -0,1	Kugel R	MA (Nm)	Nennmessweg
50	M24 x 2	20	150	500	< 0,2
100	M39 x 3	34	200	2.500	< 0,2
200	M45 x3	40	250	4.000	< 0,2
300	M56 x4	50	300	6.000	< 0,2
500	M64 x4	58	400	9.000	< 0,2

## 9.3 Typen F2301 (Signalhub) und F23C1 Abmessungen

Ausführung bis 30 kN

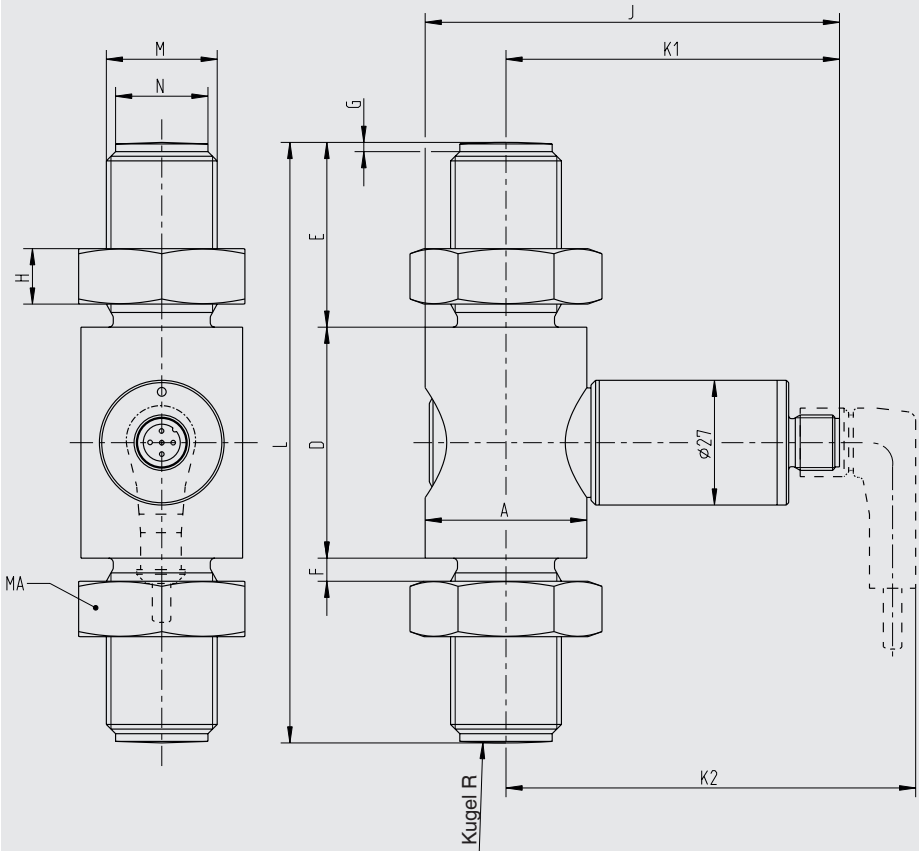


Alle Maße in mm.

Nennkraft in kN	A	B	D	E	F	G	H	J	K1	K2	L
5	25,2	22	24	23	4,3	1,5	6	89	72	91,5	70
10	25,2	22	31	23	4,3	1,5	6	89	72	91,5	77
20	25,2	26	33	34	3,8	2	10	91,5	73	91,5	101
30	27,5	27,5	40	34	3,8	2	10	91,5	73	92,5	108

Nennkraft in kN	M	N -0,1	Kugel R	MA (Nm)
5	M12	9,5	60	60
10	M12	9,5	80	60
20	M20 x 1,5	17	100	300
30	M20 x 1,5	17	120	300

## Ausführung ab 50 kN



Alle Maße in mm.

Nennkraft in kN	ØA	D	E	F	G	H	J	K1	K2	L
50	35	50	40	5	2	12	91,5	73	90,2	130
100	54	54	68	10	3,7	19,5	91,5	71	91	197

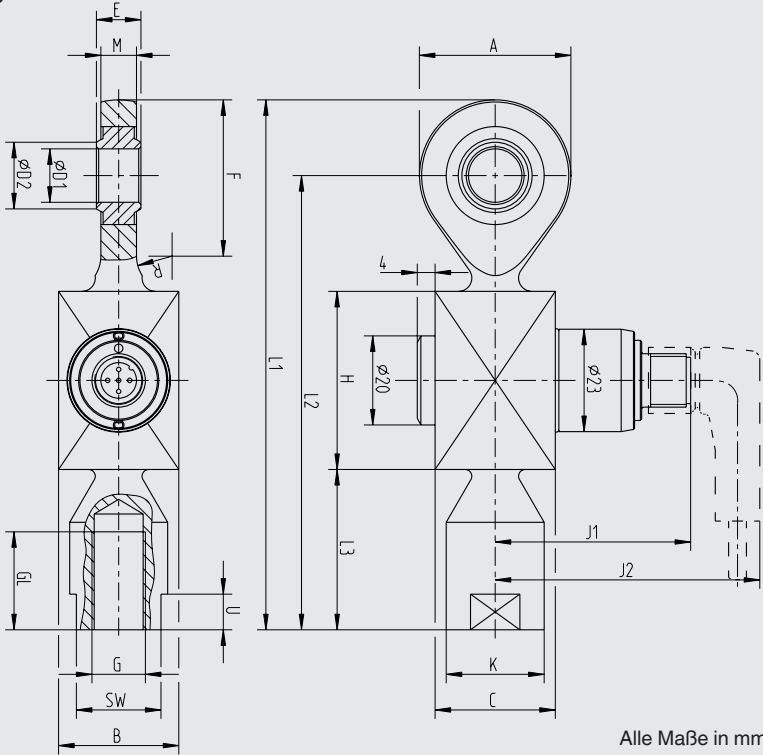
Nennkraft in kN	M	N -0,1	Kugel R	MA (Nm)	Nennmessweg
50	M24 x 2	20	150	500	< 0,2
100	M39 x 3	34	200	2.500	< 0,2



# 9. Technische Daten

## 9.5 Typ F2303 Abmessungen

Ausführung bis 20 kN



Alle Maße in mm.

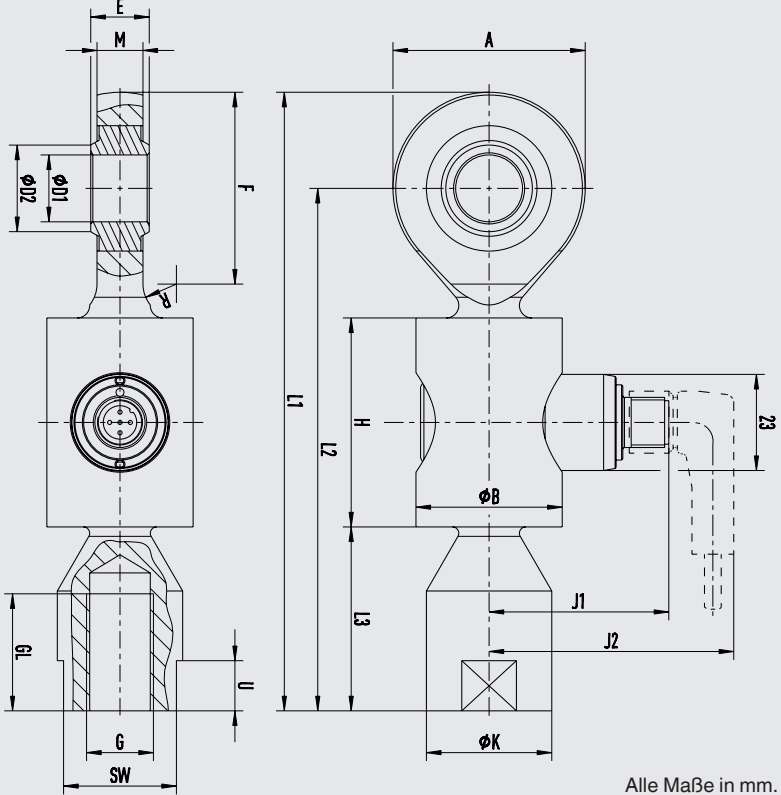
Nennkraft in kN	Ausführung	A	B	C	$\varnothing D_1$ 0,008	$\varnothing D_2$	E	F	G	GL
10	Innengewinde	34	27	27	12	15	10	35,1	M10 x 1,25	21
10	Außengewinde	34	28	28,7	20	35	19	46	M20 x 1,5	24,5
18	Innengewinde	34	27	27	12	15	10	35	M12 x 1,25	22
18	Außengewinde	34	27	27	12	15	10	35	M20 x 1,25	22
20	Außengewinde	34	28	28,7	20	35	19	46	M20 x 1,25	24,5

Nennkraft in kN	Ausführung	H	J <sub>1</sub>	J <sub>2</sub>	$\varnothing K$	L <sub>1</sub>	L <sub>2</sub>	L <sub>3</sub>	M	SW	U
10	Innengewinde	40	44	63	22	119	102	36	8	19	8
10	Außengewinde	33	44,4	63	-	117,5	92,5	30,5	14	19	-
18	Innengewinde	40	44	63	22	119	102	36	8	19	8
18	Außengewinde	40	44	63	-	119	102	36	8	19	-
20	Außengewinde	33	44,4	63	-	117,5	92,5	30,5	14	19	-

ADPR1X914096.01 06/2020 EN/DE

**Ausführung bis 45 kN**



Alle Maße in mm.

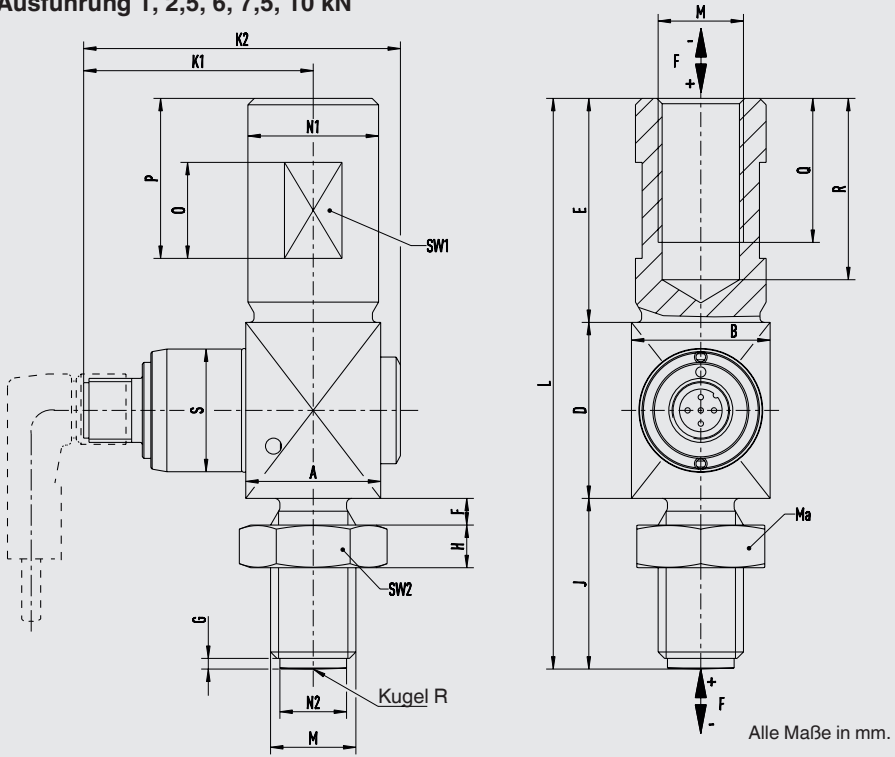
Nennkraft in kN	Ausführung	A	ØB	ØD <sub>1-0,008</sub>	ØD <sub>2</sub>	E	F	G	GL	H	J <sub>1</sub>
34	Innengewinde	46	35	17	20,7	14	46	M16 x 1,5	28	50	43
45	Innengewinde	53	54	20	24,2	16	54	M20 x 1,5	33	54	44

Nennkraft in kN	Ausführung	J <sub>2</sub>	ØK	L <sub>1</sub>	L <sub>2</sub>	L <sub>3</sub>	M	SW	U
34	Innengewinde	62	30	148	125	44	11	27	12
45	Innengewinde	63	35	171	144,5	54	13	32	13

ADPR1X914096.01 06/2020 EN/DE

## 9.6 Typ F2304 Abmessungen

Ausführung 1, 2,5, 6, 7,5, 10 kN



Nennkraft in kN	A	B	D	E	F	G	H	J	K1	K2	L	M
1	25,3	22	24	32	3,2	1,5	5	22	43	60	78	M10 x 1,25
2,5	25,3	22	24	33	4,3	1,5	6	24	43	60	81	M12 x 1,25
6	25,3	22	33	35	5	2	8	32	43	60	100	M16 x 1,5
7,5, 10	25,3	26	33	42	5	2	8	32	43	60	107	M16 x 1,5

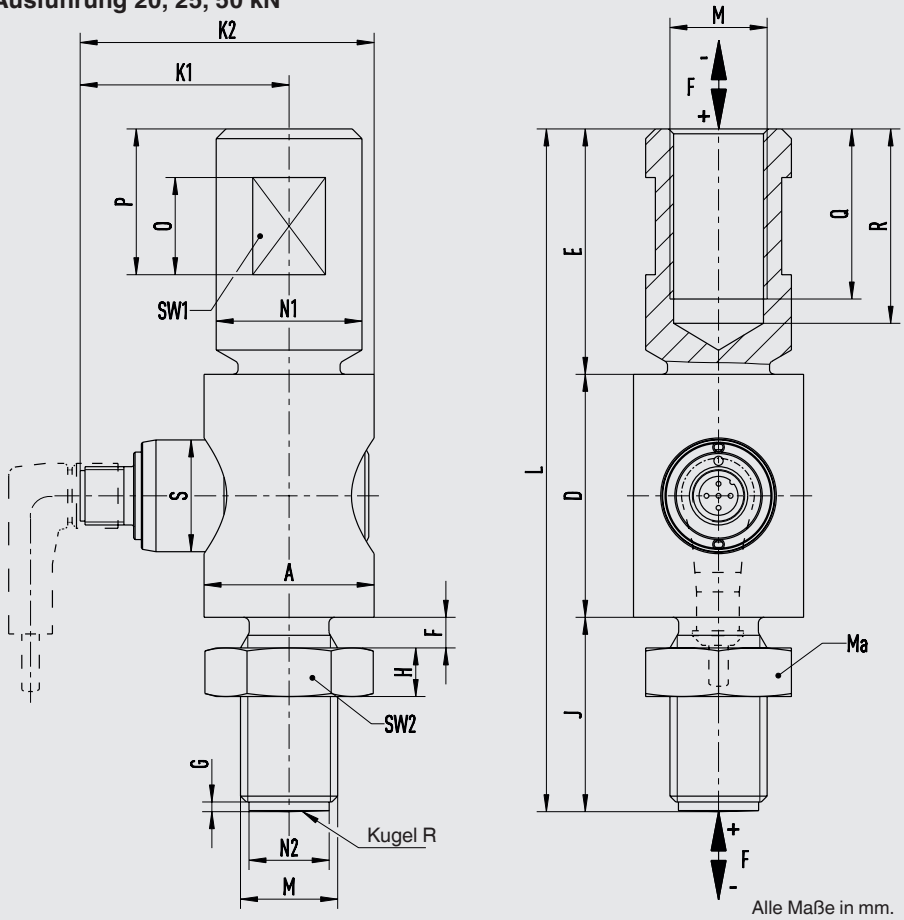
Nennkraft in kN	O	P	Q	R	S	SW1	SW2	ØN1 <sub>0,1</sub>	ØN2 <sub>0,1</sub>	Kugel R	MA (Nm)	Nennmessweg
1	14	23	21	25	21,5	13	17	14	7,6	60	60	< 0,5
2,5	14	23	22	26	21,5	15	19	16	9,4	60	60	< 0,5
6	18	23	23	28	21,5	22	24	24,5	12,5	100	60	< 0,5
7,5, 10	18	30	27	34	21,5	22	24	24,5	12,5	100	60	< 0,5



# 9. Technische Daten

DE

## Ausführung 20, 25, 50 kN



Nennkraft in kN	ØA	D	E	F	G	H	J	K1	K2	L	M	O	P
20, 25	35	50	50,5	6,3	2	10	40	43	60,5	140,5	M20 x 1,5	20	30
50	35	50	50,5	5	2	12	70	43	57	170,5	M24 x 3	20	30

Nennkraft in kN	Q	R	ØS	SW1	SW2	ØS	ØN1 <sub>0,1</sub>	ØN2 <sub>0,1</sub>	Kugel R	MA (Nm)	Nennmessweg
20, 25	35	40	23	26	30	23	30	16,5	150	356	< 0,5
50	28	37	23	30	35	23	35	20	150	500	< 0,5

ADPR1X914096.01 06/2020 EN/DE

## 10. Zubehör

WIKA-Zubehör finden Sie online unter [www.wika.de](http://www.wika.de).

### 10.1 Kabel

Kabel mit M12 x 1 Stecker

Kabeldose M12 x 1		Bestellnummer		
		Länge 2 m	Länge 5 m	Länge 10 m
4-polig mit Kabel	gerade	EZE53X011010	EZE53X011012	EZE53X011016
	gewinkelt	EZE53X011011	EZE53X011013	EZE53X011017
5-polig mit Kabel	gerade	EZE53X011043	EZE53X011044	EZE53X011047
	gewinkelt	EZE53X011045	EZE53X011046	EZE53X011071

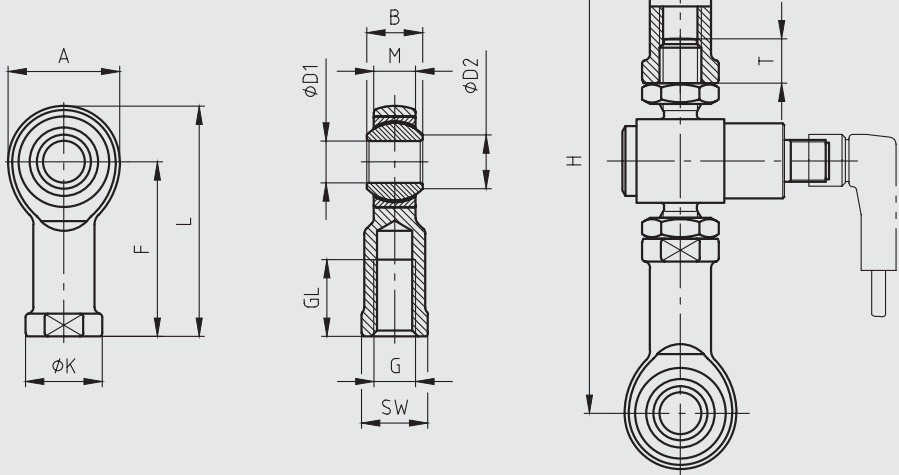
Andere Kabellängen und Kabelarten sind auf Anfrage erhältlich.

### 10.2 Gelenkköpfe Abmessungen in mm

Zubehör: Gelenkköpfe nach DIN ISO 12240-4

ØD1 = 12 ... 25 mm Maßreihe K

ØD2 = 40 ... 80 mm Maßreihe E



Alle Maße in mm.

# 10. Zubehör

DE

Nennkraft in kN	H	Mindesteinschraubtiefe T
1, 2, 3, 5	148 ± 3	9,5
10	155 ± 3	9,5
20	219 ± 4	16
30	226 ± 4	16
50	276 ± 4	19,5
100	405 ± 7	31
200	466 ± 13	36
300	568 ± 11	45
500	665 ± 13	51

Nennkraft in kN	Gewicht in kg	A	B	ØD <sub>1</sub>	ØD <sub>2</sub>	F	G	GL	ØK	L	M	SW
1, 2, 3, 5, 10	0,115	32	16	12 H7	15,4	50	M12	22	22	55	12	19
20, 30	0,415	50	25	20 H7	24,3	77	M20 x 1,5	33	34	102	18	32
50	0,750	60	31	25H7	29,6	94	M24 x 2	42	42	124	22	36
100	2	92	28	40 <sub>-0,012</sub>	45	142	M39 x 3	65	65	188	23	55
200	3,5	112	35	50 <sub>-0,012</sub>	56	160	M45 x 3	68	75	216	30	65
300	8,6	160	49	70 <sub>-0,015</sub>	77,9	200	M56 x 4	80	98	280	42	85
500	12	180	55	80 <sub>-0,015</sub>	89,4	230	M64 x 4	85	110	320	47	100



Zertifiziert nach DIN EN ISO 9001:2008 DQS-Zertifikat-Reg. Nr. 004355 QM08  
 Cert. according to DIN EN ISO 9001:2008 DQS  
 Rg. No. 004355 QM0



**Declaration of EU-Conformity**  
**EU-Konformitätserklärung**

We **tecsis GmbH**  
 Wir Carl-Legien-Str. 40 - 44  
 63073 Offenbach  
 Germany

declare under our sole responsibility that the product is in conformity with requirements of the directives. The correspondingly labeled product is manufactured according of the listed directives and standards and is in accordance with the type-examination.

erklären in alleiniger Verantwortung, dass das Produkt konform ist mit den Anforderungen der Richtlinien. Das entsprechend gekennzeichnete Produkt ist nach den aufgeführten Richtlinien und Normen hergestellt und stimmt mit der Baumusterprüfung überein.

Product Name **Tension/Compression Load Cell**  
 Produktname Zug/Druckkraftaufnehmer

Product Type **F2301\*, F23S1\*, F23C1\*.XX\***  
 Typenbezeichnung (\* = multiple alphanumeric letter, mehrere alphanumerische Zeichen; XX=12/14/15/16/17/21)

Directives Richtlinien	EMC / EMV	RoHS	ATEX
<b>EU-Directives</b> EU-Richtlinien	2014/30/EU	2011/65/EU	2014/34/EU
<b>Product Marking</b> Produktkennzeichnung	CE	CE	CE 0158 II 2G Ex ib IIC T4/T3 Gb (XX=12/16/17) II 2G Ex ib IIC T4 Gb (XX=15) I M2 Ex ib I Mb (XX=14) II 2G Ex ib IIC T4 Gb (XX=21) I M2 Ex ib I Mb (XX=21)
	EN 61326-1:2013-07 EN 61326-2-3:2013-07 EN 61326-3-1:2008-11, mod 1 2009-04 EN 55011:2011-04	EN 50581:2012	EN 60079-0: 2012 +A11:2013 EN 60079-11:2012
<b>EC Type-Examination</b> EG-Baumusterprüfung		---	BVS 08 ATEX E 075 X
<b>Accredited Certification</b> Überwachungsinstanz		---	DEKRA EXAM GmbH (0158) Germany

tecsis GmbH  
 Offenbach, 21.07.2017

Stefan Richter, Managing Director

tecsis GmbH  
 Carl-Legien-Str. 40-44  
 D-63073 Offenbach / Main  
 Tel.: +49 (0) 69 / 5806-0  
 Fax: +49 (0) 69 / 5806-77 88  
 E-Mail: info@tecsis.de - Internet: www.tecsis.de

Ralf Both, Engineering Manager

Sitz der Gesellschaft: Offenbach / Main  
 Registergericht: Offenbach / Main, HRB 40169  
 Geschäftsführer:  
 Reinhold Ost  
 Stefan Richter



## EU-Konformitätserklärung EU Declaration of Conformity

**Dokument Nr.:** ADEUKX100008.02  
**Document No.:**

Wir erklären in alleiniger Verantwortung, dass die mit CE gekennzeichneten Produkte  
*We declare under our sole responsibility that the CE marked products*

**Typenbezeichnung:** F2303\*  
**Type Designation:**

**Beschreibung:** Kraftaufnehmer Zug/Druck  
**Description:** Force transducer tension/compression

gemäß gültigem Datenblatt:  
*according to the valid data sheet:* FO 51.46

die wesentlichen Schutzanforderungen der folgenden Richtlinien erfüllen: Harmonisierte Normen:  
*comply with the essential protection requirements of the directives: Harmonized standards:*


2011/65/EU	Gefährliche Stoffe (RoHS) <i>Hazardous substances (RoHS)</i>	EN 50581:2012
2014/30/EU	Elektromagnetische Verträglichkeit (EMV) <sup>(1)</sup> <i>Electromagnetic Compatibility (EMC) <sup>(1)</sup></i>	EN 61326-1:2013-07 EN 61326-2-3:2013-07 EN 55011:2016 + A1:2017 (05-2018)

(1) Für optional eingebaute Transmitter oder Anzeigen gelten deren EU-Konformitätserklärungen und die darin gelisteten Normen.  
*For optional built-in transmitters and indicators their respective EU declarations of conformity and the therein listed standards apply.*

Unterzeichnet für und im Namen von / *Signed for and on behalf of*

**tecsis GmbH**

Offenbach, 2020-01-29

  
Stefan Richter, Managing Director

tecsis GmbH  
Carl-Legian-Str. 40 - 44  
63073 Offenbach am Main  
Germany

Tel. +49 69 5806-0  
Fax +49 69 5806-7788  
E-Mail info@tecsis.de  
www.tecsis.de

Sitz Offenbach - Offenbach am Main  
Registernummer: HR B 40169  
Geschäftsführer: Stefan Richter u. Thomas Steinbacher



## EU-Konformitätserklärung EU Declaration of Conformity

**Dokument Nr.:** ADEUKX100009.01  
**Document No.:**

Wir erklären in alleiniger Verantwortung, dass die mit CE gekennzeichneten Produkte  
*We declare under our sole responsibility that the CE marked products*

**Typenbezeichnung:** F2304\*  
**Type Designation:**

**Beschreibung:** Zug-/Druckkraftaufnehmer  
**Description:** Tension/Compression force transducer

gemäß gültigem Datenblatt:  
*according to the valid data sheet:* FO 51.47

die wesentlichen Schutzanforderungen der folgenden Richtlinien erfüllen: *Harmonisierte Normen:*  
*comply with the essential protection requirements of the directives: Harmonized standards:*

2011/65/EU Gefährliche Stoffe (RoHS)  
2015/863 Hazardous substances (RoHS)

EN 50581:2012

2014/30/EU Elektromagnetische Verträglichkeit (EMV) <sup>(1)</sup>  
Electromagnetic Compatibility (EMC) <sup>(1)</sup>

EN 61326-1:2013  
EN 61326-2-3:2013  
EN 55011:2016 + A1:2017

(1) Für optional eingebaute Transmitter oder Anzeigen gelten deren EU-Konformitätserklärungen und die darin gelisteten Normen.  
*For optional built-in transmitters and indicators their respective EU declarations of conformity and the therein listed standards apply.*

Unterschrift für und im Namen von / *Signed for and on behalf of*

**tecsis GmbH**

Offenbach, 2020-06-03

Stefan Richter, Managing Director

tecsis GmbH  
Carl-Legien-Str. 40 - 44  
63073 Offenbach am Main  
Germany

Tel. +49 69 5806-0  
Fax +49 69 5806-7788  
E-Mail [info@tecsis.de](mailto:info@tecsis.de)  
[www.tecsis.de](http://www.tecsis.de)

Sitz Offenbach - Offenbach am Main  
Registernummer: HR B 40169  
Geschäftsführer: Stefan Richter u. Thomas Steinbacher