

Digimatic Universal Bevel Protractor

Series 187

With data output

- With easy-to-read digital display.
- Automatic turn-off after 10 minutes, fixed reference points for easy adjustment.
- The measuring blade can be slid and clamped over the entire length.
- Fine adjustment for precise adjustment of arbitrary angle dimensions.
- With mounting facility on height gauges and tracers of series 192 via holder.

Functions	Series 187
ZERO/SET	●
PRESET	●
DATA/HOLD	●
Data/Output	●
Angle sexagesimal/decimal	●
ON/OFF	●

Specifications

Digital step	1' (0.01°)
Display	LCD with Character Height 6.5 mm
Max. permissible error	2' (0.03°)
Measuring range	-360° to 360°
Repeatability	1' (0.01°)
Delivery	in a box including battery
Battery life	approx. 2.000 hours

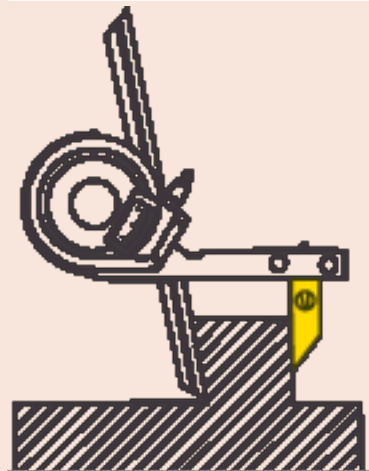
Standard accessories

No.	Description
187-106	Blade 150 mm
187-107	Blade 300 mm
950750	Holder for Height Gauges with 9 x 9 mm scriber shaft

187-106 for 187-501
187-107 for 187-502
950750 for 187-501, 187-502

Optional accessories

No.	Description
187-105	Acute angle attachment
905338	Data cable (1 m)
905409	Digimatic cable (2 m)
02AZD790F	Connecting cable U-Wave
06ADV380F	USB Input tool Direct cable (2 m)



Application with acute angle attachment

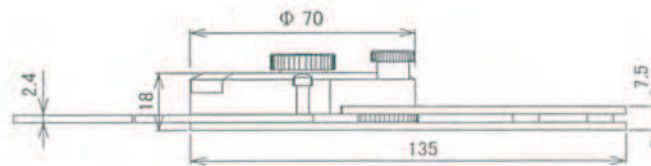
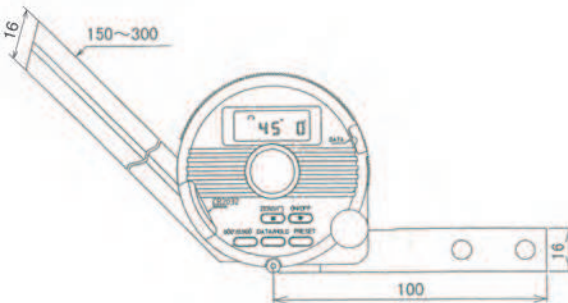
Consumable spares

No.	Description
055AA217D	Lithium battery CR-2032

Standard accessories for Inch

No.	Description
187-103	150 mm / 6" blade
187-104	300 mm / 12" blade
950749	Height gauge holder

187-103 for 187-551
187-104 for 187-552
950749 for 187-551, 187-552



Metric

No.	Blade length	Mass (g)
187-501	150 mm	624
187-502	300 mm	662

Inch

No.	Blade length	Mass (g)
187-551	6"	621
187-552	12"	659