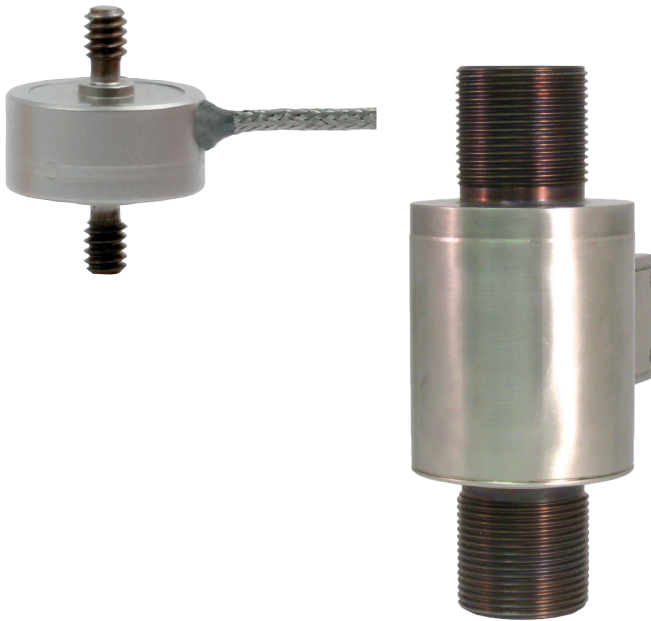


Tension/compression force transducer with external thread  
Models F2220, F2221, F2226

EN

Zug-/Druckkraftaufnehmer mit Außengewinde  
Typen F2220, F2221, F2226

DE



Models F2221, F2226



© 10/2020 WIKA Alexander Wiegand SE & Co. KG  
All rights reserved. / Alle Rechte vorbehalten.  
WIKA® is a registered trademark in various countries.  
WIKA® ist eine geschützte Marke in verschiedenen Ländern.

Prior to starting any work, read the operating instructions!  
Keep for later use!

Vor Beginn aller Arbeiten Betriebsanleitung lesen!  
Zum späteren Gebrauch aufbewahren!

# Contents

<b>1. General information</b>	<b>4</b>
<b>2. Design and function</b>	<b>5</b>
2.1 Overview models F2220, F2221 . . . . .	5
2.2 Overview model F2226 . . . . .	5
<b>3. Safety</b>	<b>6</b>
3.1 Explanation of symbols . . . . .	6
3.2 Description . . . . .	6
3.3 Scope of delivery . . . . .	6
3.4 Intended use . . . . .	7
3.5 Improper use . . . . .	8
3.6 Responsibility of the operator . . . . .	8
3.7 Personnel qualification . . . . .	9
3.8 Personal protective equipment . . . . .	9
3.9 Labelling, safety marks . . . . .	10
<b>4. Transport, packaging and storage</b>	<b>11</b>
4.1 Transport. . . . .	11
4.2 Packaging and storage . . . . .	11
<b>5. Commissioning, operation</b>	<b>12</b>
5.1 Precautions before commissioning . . . . .	12
5.2 Mounting instructions . . . . .	12
5.3 Installation of the tension/compression force transducer. . . . .	13
5.4 Installation of the tension/compression force transducer with swivel heads	14
5.5 Electrical connection. . . . .	15
5.6 Connecting an amplifier. . . . .	15
5.7 Pin assignment models F2220, F2221 . . . . .	15
5.8 Pin assignment model F2226 . . . . .	15
<b>6. Faults</b>	<b>16</b>
<b>7. Maintenance and cleaning</b>	<b>17</b>
7.1 Maintenance . . . . .	17
7.2 Cleaning . . . . .	17
7.3 Recalibration . . . . .	17
<b>8. Dismounting, return and disposal</b>	<b>18</b>
8.1 Dismounting . . . . .	18
8.2 Return. . . . .	18
8.3 Disposal . . . . .	18
<b>9. Specifications</b>	<b>19</b>
9.1 Approvals . . . . .	25
<b>10. Accessories</b>	<b>25</b>
10.1 Cable . . . . .	25
<b>Annex: EU declaration of conformity</b>	<b>26</b>

EN

## 1. General information

- The tension/compression force transducers described in the operating instructions have been designed and manufactured using state-of-the-art technology. All components are subject to stringent quality and environmental criteria during production. Our management systems are certified to ISO 9001.
- These operating instructions contain important information on handling the instrument. Working safely requires that all safety instructions and work instructions are observed.
- Observe the relevant local accident prevention regulations and general safety regulations for the instrument's range of use.
- The operating instructions are part of the product and must be kept in the immediate vicinity of the instrument and readily accessible to skilled personnel at any time. Pass the operating instructions on to the next operator or owner of the instrument.
- Skilled personnel must have carefully read and understood the operating instructions prior to beginning any work.
- The general terms and conditions contained in the sales documentation shall apply.
- Subject to technical modifications.
- Factory calibrations / DAkkS calibrations are carried out in accordance with international standards.

Further information:

- Internet address: [www.wika.de](http://www.wika.de)
- Relevant data sheet: FO 51.16 (F2220)  
FO 51.26 (F2221)  
FO 51.51 (F2226)
- Application consultant: Tel.: +49 9372 132-0  
Fax: +49 9372 132-406  
[info@wika.de](mailto:info@wika.de)

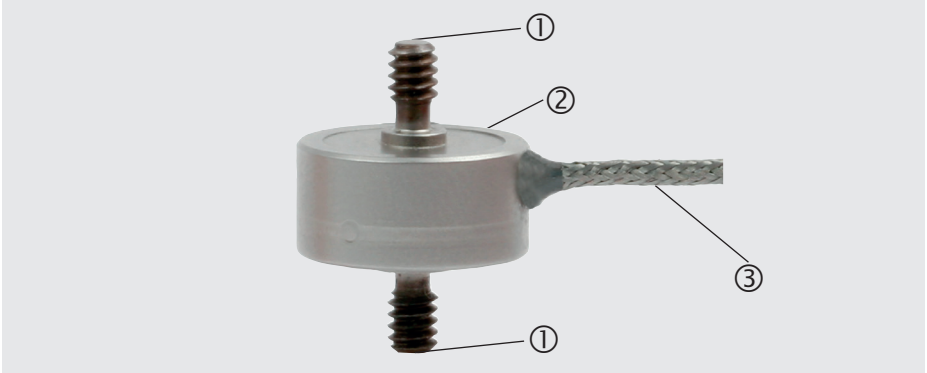
### Abbreviations, definitions

2-wire	The two connection lines are used for the voltage supply. The measuring signal also provides the supply current.
3-wire	Two connection lines are used for the voltage supply. One connection line is used for the measuring signal.
UB+	Positive power supply terminal
UB-	Negative power supply terminal
S+	Positive output terminal
S-	Negative output terminal
Shield	Case

### 2. Design and function

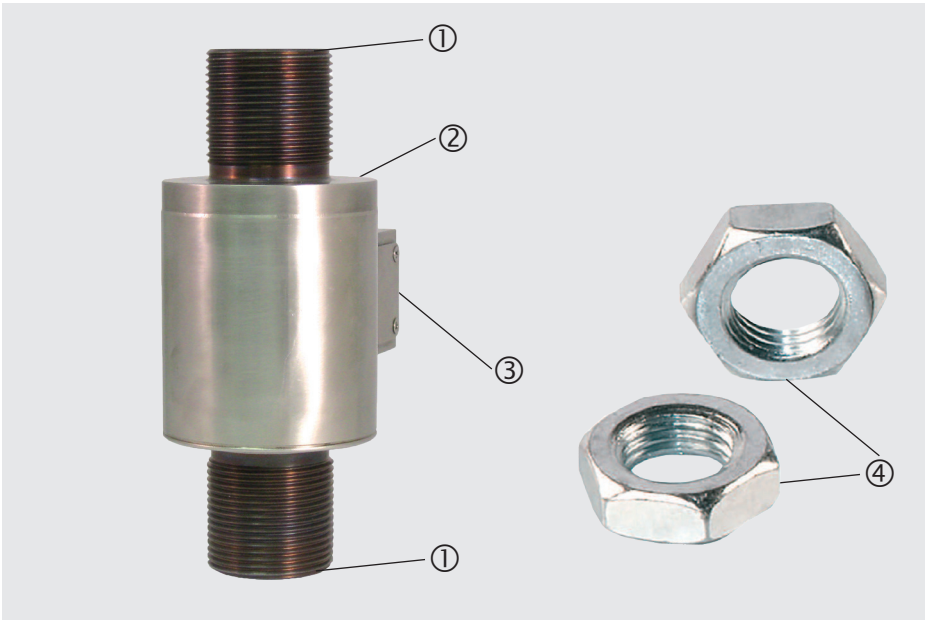
#### 2.1 Overview models F2220, F2221

- ① Force introduction
- ② Measuring spring
- ③ Electrical connection



#### 2.2 Overview model F2226

- ① Force introduction
- ② Measuring spring
- ③ Electrical connection
- ④ Counter nuts



### 2.3 Description

The tension/compression force transducer is designed for measuring static and dynamic tension/compression forces. The tension/compression force transducer consists of a measuring spring on which strain gauges (SGs) are applied. The measuring body is made of corrosion-resistant stainless steel and is elastically deformed by a tension/compression force introduced in the force direction. The resulting mechanical tensions are measured by the strain gauges and output as an electrical output signal. The strain gauges are arranged so that two of them are stretched and the other two are compressed when a force is applied to the transducer. The pick-up circuit includes correction and compensation resistors to eliminate unwanted effects on the zero signal and characteristic value.

EN

### 2.4 Scope of delivery

- Tension/compression force transducers
- Operating instructions

## 3. Safety

### 3.1 Explanation of symbols



#### **WARNING!**

... indicates a potentially dangerous situation that can result in serious injury or death, if not avoided.



#### **CAUTION!**

... indicates a potentially dangerous situation that can result in light injuries or damage to property or the environment, if not avoided.



#### **Information**

... points out useful tips, recommendations and information for efficient and trouble-free operation.

## 3.2 Intended use

The tension/compression force transducers are designed for measuring static and dynamic tension and/or compression forces.

Model	Version
F2220	Version for small measuring ranges 0 ... 10 N to 0 ... 5,000 N
F2221	Version for small measuring ranges 0 ... 10 N to 0 ... 50 kN
F2226	Version for measuring ranges 0 ... 10 kN to 0 ... 3,300 kN

These instruments have been designed and tested in accordance with the relevant safety regulations for electronic measuring instruments. Any usage outside of this is deemed to be improper. The perfect functioning and operational safety of the transducers can only be guaranteed when complying with the instructions given in the operating instructions. During its use, the legal and safety regulations (e.g. VDE 0100) required for the particular application must additionally be observed. This also applies accordingly when using accessories. Tension/compression force transducers are RoHS-compliant in accordance with Directive 2011/65/EU. Faultless and safe operation of this transducer requires proper transport, professional storage, installation and mounting as well as careful operation and corrective maintenance.

The instrument has been designed and built solely for the intended use described here, and may only be used accordingly. The technical specifications contained in these operating instructions must be observed. Improper handling or operation of the instrument outside of its technical specifications requires the instrument to be taken out of service immediately and inspected by an authorised service engineer.

Handle electronic precision measuring instruments with the required care (protect from humidity, impacts, strong magnetic fields, static electricity and extreme temperatures, do not insert any objects into the instrument or its openings). Connectors, stranded wires and sockets must be protected from contamination.

The manufacturer shall not be liable for claims of any type based on operation contrary to the intended use.

### 3.3 Improper use



#### **WARNING!**

#### **Injuries through improper use**

Improper use of the instrument can lead to hazardous situations and injuries.

- ▶ Refrain from unauthorised modifications to the instrument.

Any use beyond or different to the intended use is considered as improper use.

### 3.4 Responsibility of the operator

The instrument is used in the industrial sector. The operator is therefore responsible for legal obligations regarding safety at work.

The safety instructions within these operating instructions, as well as the safety, accident prevention and environmental protection regulations for the application area must be maintained.

The operator is obliged to maintain the product label in a legible condition.

To ensure safe working on the instrument, the operating company must ensure

- that suitable first-aid equipment is available and aid is provided whenever required.
- that the skilled electrical personnel are regularly instructed in all topics regarding work safety, first aid and environmental protection and know the operating instructions and in particular, the safety instructions contained therein.
- that the instrument is suitable for the particular application in accordance with its intended use.
- that personal protective equipment is available.



### 3.5 Personnel qualification



#### **WARNING!**

#### **Risk of injury should qualification be insufficient**

Improper handling can result in considerable injury and damage to equipment.

- ▶ The activities described in these operating instructions may only be carried out by skilled personnel who have the qualifications described below.

#### **Skilled electrical personnel**

Skilled electrical personnel are understood to be personnel who, based on their technical training, know-how and experience as well as their knowledge of country-specific regulations, current standards and directives, are capable of carrying out work on electrical systems and independently recognising and avoiding potential hazards. The skilled electrical personnel have been specifically trained for the work environment they are working in and know the relevant standards and regulations. The skilled electrical personnel must comply with current legal accident prevention regulations.

### 3.6 Personal protective equipment

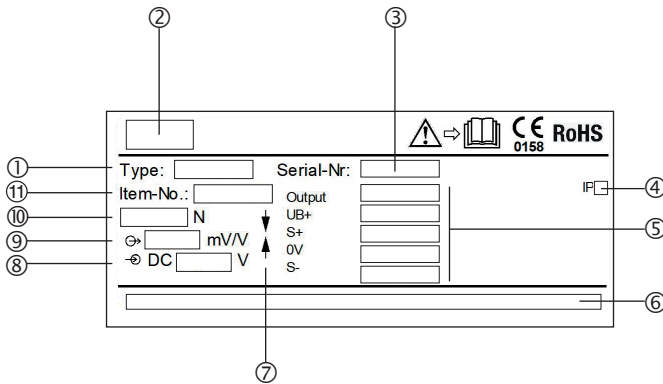
The requirements for the required protective equipment result from the ambient conditions at the place of use, other products or the connection to other products.

The requisite personal protective equipment must be provided by the operating company. The operator is in no way relieved of his obligations under labour law for the safety and the protection of workers' health.

The design of the personal protective equipment must take into account all operating parameters of the place of use.

## 3.7 Labelling, safety marks

### Product label



- ① Type
- ② Manufacturer logo
- ③ Serial number
- ④ Ingress protection per DIN EN 60529
- ⑤ Pin assignment
- ⑥ Manufacturer address
- ⑦ Force direction
- ⑧ Supply voltage
- ⑨ Output signal
- ⑩ Measuring range
- ⑪ Product code

### 4. Transport, packaging and storage

#### 4.1 Transport

Check the tension/compression force transducer for any damage that may have been caused by transport. Obvious damage must be reported immediately.



#### **CAUTION!**

#### **Damage through improper transport**

With improper transport, a high level of damage to property can occur.

- ▶ When unloading packed goods upon delivery as well as during internal transport, proceed carefully and observe the symbols on the packaging.
- ▶ With internal transport, observe the instructions in chapter 4.2 “Packaging and storage”.

As precision measuring instruments, transducers require careful handling during transport and mounting. Load impacts during transport (e.g. hitting a hard surface) can lead to permanent damage, resulting in measuring errors in the subsequent measuring operation.

#### 4.2 Packaging and storage

Do not remove packaging until just before mounting.

Keep the packaging as it will provide optimum protection during transport (e.g. change in installation site, sending for repair).

#### **Model F2226**

During storage the protection cap must always be on the electrical connection to avoid entry of moisture and dirt.

#### **Permissible conditions at the place of storage:**

- Storage temperature: Follow the instructions given in chapter 9 “Specifications”
- Humidity: 35 ... 85 % relative humidity (non-condensing)

#### **Avoid exposure to the following factors:**

- Mechanical vibration, mechanical shock (putting it down hard)
- Dust, dirt, and other objects may not be deposited in such a way that they form a force shunt with the measuring spring, since this will falsify the measuring signal.

### 5. Commissioning, operation

#### 5.1 Precautions before commissioning

EN

- Tension/compression force transducers are sensitive measuring instruments and must be handled with appropriate care.
- Before installing the tension/compression force transducer, check whether the threaded bores of the mounting position have been executed dimensionally accurately, thus guaranteeing problem-free mechanical installation of the tension/compression force transducer.
- Before installation, make sure that any drilling chips have been removed from the threaded bores.

#### 5.2 Mounting instructions



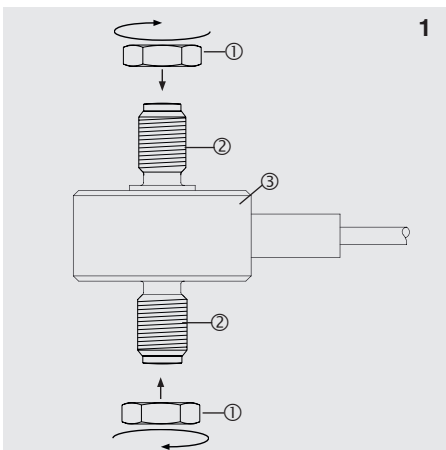
##### **CAUTION!**

##### **Damage to the instrument through improper installation**

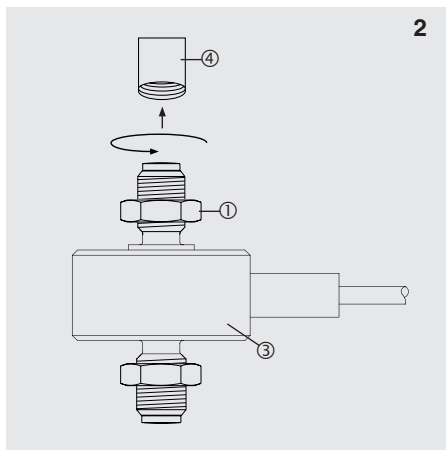
- Torsional moments, eccentric loads and transverse loads or lateral forces cause measuring errors and may permanently damage the tension/compression force transducer.
  - Incorrect loads can cause permanent damage, resulting in a zero signal deviation in the unloaded state.
- 
- ▶ With the installation of the tension/compression force transducer, the installation position and the load direction must be considered.
  - ▶ Torsional and shear forces must be avoided. Transverse loads and lateral forces also include the corresponding components of the measurands that are introduced slanted.
  - ▶ The installation of the tension/compression force transducer must not be made with any violent force.
  - ▶ During installation of the tension/compression force transducer, the output signal (force value) must always be monitored to avoid mechanical overload.
  - ▶ If high shear forces or lateral forces are to be expected, the use of swivel heads is recommended.
  - ▶ The supplied counter nuts for model F2226 must never rest on the deformation element. A gap of at least 0.5 mm must be provided.
  - ▶ With models F2220 and F2221, the device must not touch the deformation element.

## 5.3 Installation of the tension/compression force transducer

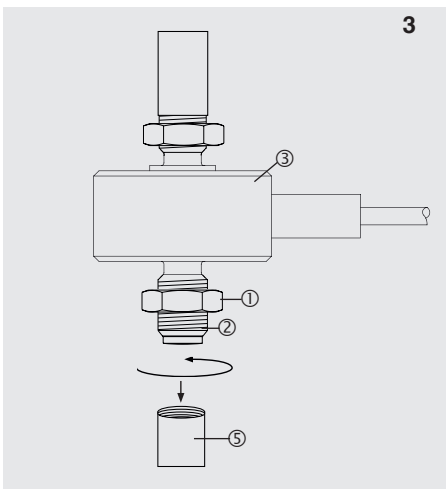
- ① Counter nuts (only model F2226)
- ② Thread
- ③ Force transducer
- ④ Measuring object
- ⑤ Measuring object, matching part



If necessary, screw counter nuts on each thread of the force transducer.



Screw the force transducer into the measuring object. If necessary, secure with counter nut. Observe the max. torque.



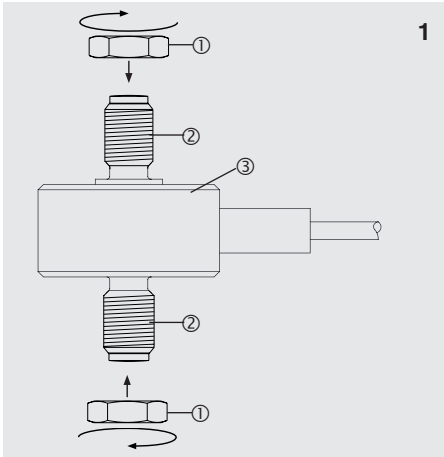
Screw the matching part of the measuring object onto the free thread. As necessary, secure with counter nut. Observe the max. torque. Load the force transducer.

## 5. Commissioning, operation

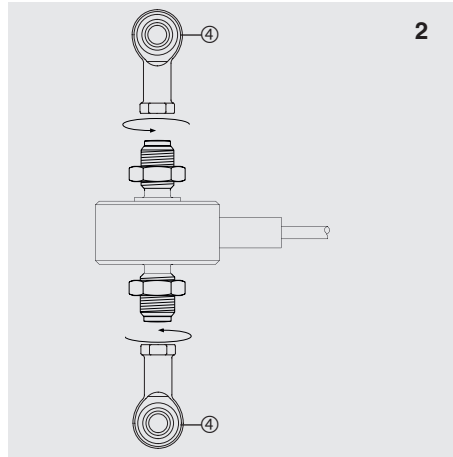
### 5.4 Installation of the tension/compression force transducer with swivel heads

- ① Counter nuts (only model F2226)    ③ Force transducer    ⑤ Clamping system  
② Thread    ④ Swivel heads    ⑥ Retaining bolt

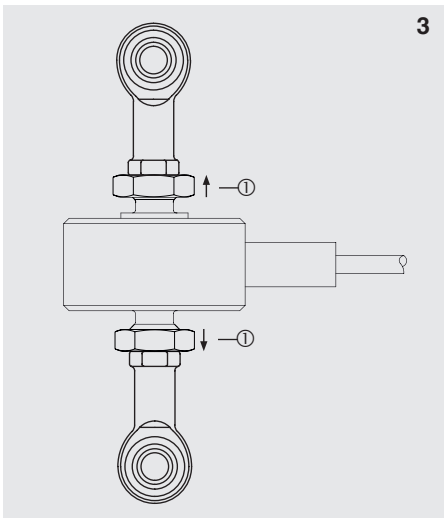
EN



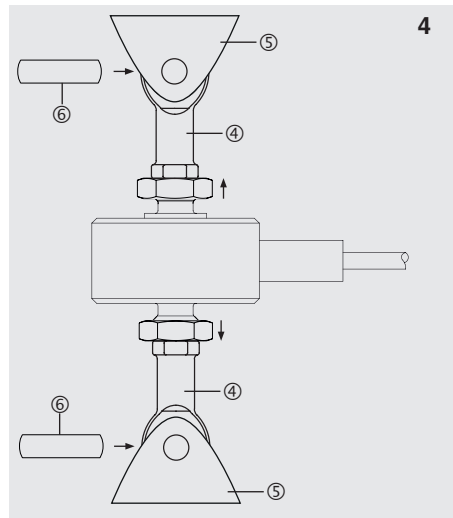
If necessary, screw counter nuts on each thread of the force transducer.



Screw swivel heads onto the thread.



Tighten counter nuts. Observe the max. torque.



Place the swivel heads in the clamping device and fix with retaining bolts. The retaining bolts must not restrict the free location of the force transducer. Load the force transducer.

## 5.5 Electrical connection

### To prevent interferences from coupling into the system:

- Use only shielded and low-capacitance measuring cables (for cables, see chapter 10 “Accessories”).
- Ground the shield of the measuring cable.
- Connect the cable shield with the case of the tension/compression force transducer. In the cables of the accessories, the cable shield is connected by means of the knurled nut, thus connecting it to the case of the tension/compression force transducer (for cables, see chapter 10 “Accessories”).
- Do not install measuring cables in parallel to 3-phase-current cables and control cables.
- Avoid stray fields of transformers, motors and contactors.
- Transducers, amplifiers and processing or display units must not be grounded several times. Connect all instruments to the same protective conductor.

The pin assignment of the connector or of the cable can be found on the product label.

When using extensions, only shielded and low-capacitance cables should be used. The permitted maximum and minimum lengths of cable are defined in ISO 11898-2. Care should be taken about the shielding.

## 5.6 Connecting an amplifier

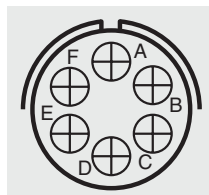
- The use of an amplifier is possible as an option.
- The amplifier is not included in delivery.
- The tension/compression force transducers described in these operating instructions output a signal in mV/V based on strain gauges.
- Any DC amplifiers and carrier amplifiers designed for strain gauge measuring systems can be used.

## 5.7 Pin assignment models F2220, F2221

Electrical connection - Cable assignment	
Excitation voltage (+)	Red
Excitation voltage (-)	Black
Signal (+)	White
Signal (-)	Green

## 5.8 Pin assignment model F2226

Electrical connection mV/V connector	
Excitation voltage (+)	Pin A&B
Excitation voltage (-)	Pin C&D
Signal (+)	Pin F
Signal (-)	Pin E



## 6. Faults

EN



**CAUTION!**

**Physical injuries, damage to equipment**

If faults cannot be eliminated by means of the measures listed, the tension/compression force transducer must be taken out of operation immediately.

- ▶ Contact the manufacturer.
- ▶ If a return is needed, please follow the instructions given in chapter 9.2 “Return”.



For contact details see chapter 1 “General information” or the back page of the operating instructions.

Faults	Causes	Measures
No output signal	No or wrong power supply, current pulse	Rectify the power supply
	Cable break	Check the continuity
No or wrong output signal	Wrong pin assignment	Check pin assignment
Deviating zero point signal	Overload, last offset, wrong connection	Consult the manufacturer
Constant output signal when changing force	Mechanical overload, wrong pin assignment	Consult the manufacturer
Signal span varies	EMC interference sources in the environment; for example, frequency converter	Shield instrument; cable shield; remove source of interference
Signal span drops/too small	Mechanical overload	Consult the manufacturer



### 7. Maintenance and cleaning



For contact details see chapter 1 “General information” or the back page of the operating instructions.

#### 7.1 Maintenance

This instrument is maintenance-free.

Repairs must only be carried out by the manufacturer.  
Only use original parts (see chapter 10 “Accessories”).

#### 7.2 Cleaning

1. Prior to cleaning, disconnect the tension/compression force transducer from the voltage supply and dismount it.
2. Clean the tension/compression force transducer with a cloth.  
Electrical connections must not come into contact with moisture!



#### **CAUTION!**

#### **Damage to the instrument**

Improper cleaning may lead to damage to the instrument!

- ▶ Do not use any aggressive cleaning agents.
- ▶ Do not use any hard or pointed objects for cleaning.

#### 7.3 Recalibration

#### **DAkkS certificate - official certificates:**

We recommend that the tension/compression force transducer is recalibrated by the manufacturer at regular time intervals of approx. 24 months. The basic settings will be corrected if necessary.

### 8. Dismounting, return and disposal

EN

#### 8.1 Dismounting

Release the load from the tension/compression force transducer and disconnect from power. Remove the tension/compression force transducer from the mounting.

#### 8.2 Return

**Strictly observe the following when shipping the instrument:**

All instruments delivered to WIKA must be free from any kind of hazardous substances (acids, bases, solutions, etc.) and must therefore be cleaned before being returned.

When returning the instrument, use the original packaging or a suitable transport packaging.

**To avoid damage:**

1. Wrap the instrument in an antistatic plastic film.
2. Place the instrument, along with the shock-absorbent material, in the packaging.  
Place shock-absorbent material evenly on all sides of the transport packaging.
3. If possible, place a bag containing a desiccant inside the packaging.
4. Label the shipment as carriage of a highly sensitive measuring instrument.



Information on returns can be found under the heading “Service” on our local website.

#### 8.3 Disposal

Incorrect disposal can put the environment at risk.

Dispose of instrument components and packaging materials in an environmentally compatible way and in accordance with the country-specific waste disposal regulations.



Do not dispose of with household waste. Ensure a proper disposal in accordance with national regulations.

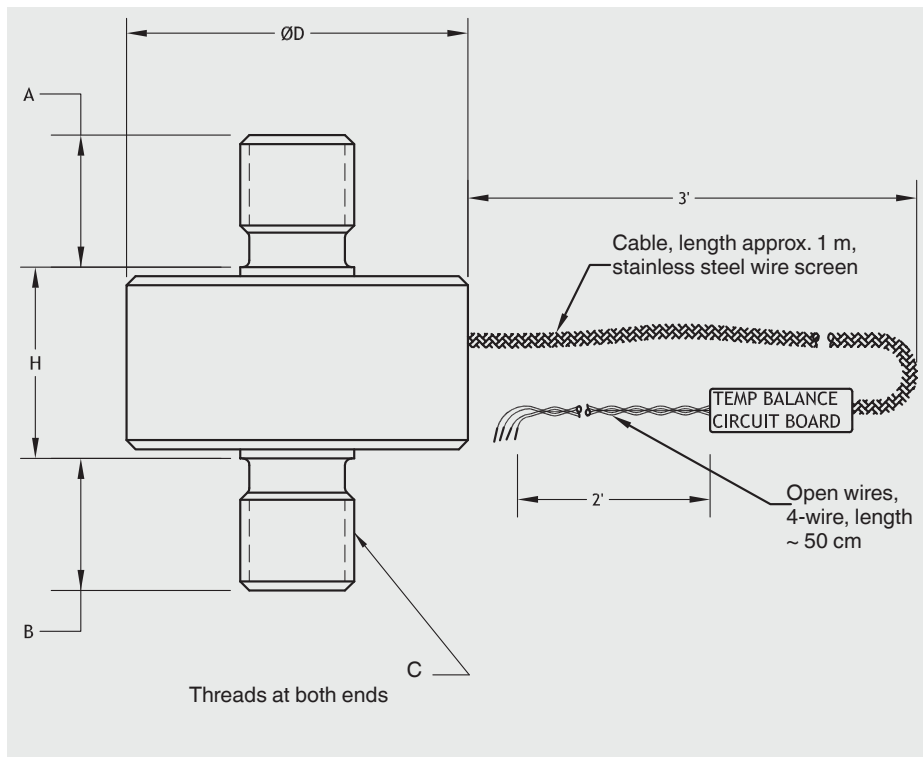
## 9. Specifications

Model F2220	
<b>Rated force <math>F_{nom}</math> N</b>	10 / 20 / 50 / 100 / 200 / 500 / 1,000 / 2,000 / 5,000
<b>Relative linearity error <math>d_{lin}</math></b>	
Tension or compression	$\pm 0.5 \% F_{nom}$
<b>Relative creep, 30 min.</b>	$< \pm 0.1 \% F_{nom}$
<b>Relative reversibility error <math>v</math></b>	$\pm 0.5 \% F_{nom}$
<b>Relative deviation of zero signal <math>d_{S, 0}</math></b>	$\pm 2 \% F_{nom}$
<b>Relative repeatability error in unchained mounting position <math>b_{rg}</math></b>	$\pm 0.1 \% F_{nom}$
<b>Temperature effect on zero signal <math>TK_0</math></b>	$< \pm 0.2 \% / 10 K$
<b>Temperature effect on characteristic value <math>TK_C</math></b>	$< \pm 0.4 \% / 10 K$
<b>Force limit <math>F_L</math></b>	$150 \% F_{nom}$
<b>Breaking force <math>F_B</math></b>	$> 300 \% F_{nom}$
<b>Permissible oscillation stress acc. to DIN 50100 <math>F_{rb}</math></b>	$70 \% F_{nom}$
<b>Rated displacement <math>s_{nom}</math></b>	$< 0.1 \text{ mm}$
<b>Material</b>	Stainless steel
<b>Rated temperature range <math>B_{T, nom}</math></b>	15 ... 70 °C (15 ... 250 °C) Others on request
<b>Operating temperature range <math>B_{T, G}</math></b>	-54 ... +121 °C
<b>Output signal (rated output) <math>C_{nom}</math></b>	2 mV/V (10 N 1.5 mV/V)
<b>Input-/output resistance <math>R_e/R_a</math></b>	350 $\Omega$
<b>Insulation resistance</b>	$> 2 \text{ G}\Omega$
<b>Electrical connection</b>	Cable (PTFE) 1.5 m, open wires, 4-wire, shielded
<b>Voltage supply</b>	
without amplifier	DC 2 ... 5 V (max. 5 V) for mV/V output
with cable amplifier	DC 12 ... 28 V for output 0(4) ... 20 mA, DC 0 ... 10 V
<b>Protection (acc. to IEC/EN 60529)</b>	IP65
<b>Weight</b>	5 g up to 30 g depending on rated force
<b>Calibration (standard)</b>	Positive in tension

# 9. Specifications

EN

## Dimensions in mm



Rated force in N	Dimensions in mm				
	ØD	H	A	B	C
10, 20, 50, 100, 200, 500	12.7	7.4	4.8	4.6	M3 x 0.5
1,000, 2,000, 5,000	19.1	9.7	7.9	7.9	M6 x 1.0

## 9. Specifications

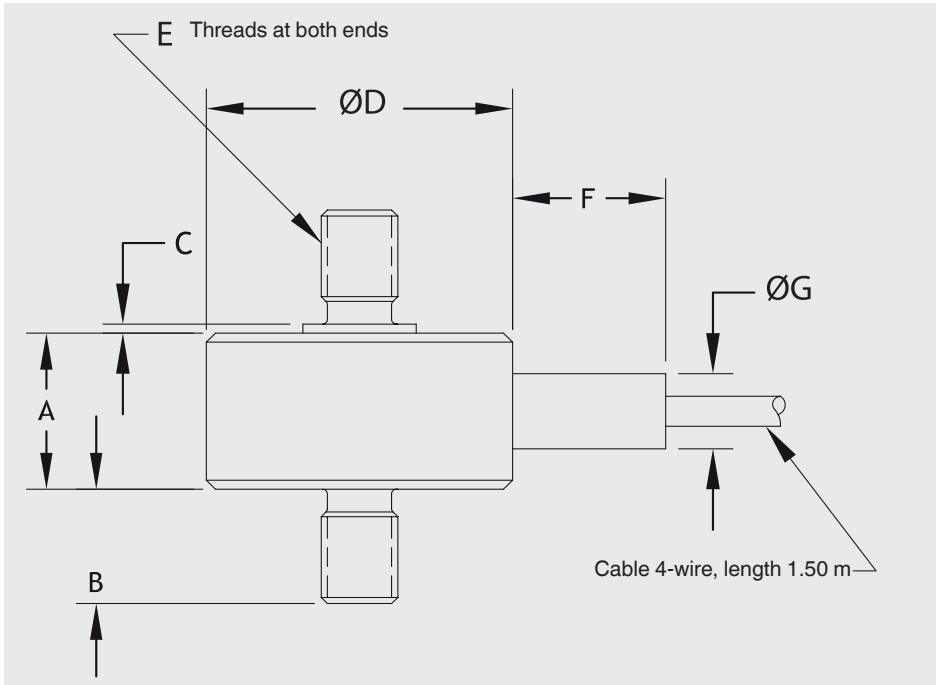
EN

Model F2221	
<b>Rated force <math>F_{nom}</math> N</b>	10 / 20 / 50 / 100 / 200 / 500 / 1,000 / 2,000 / 5,000 / 10,000 / 20,000 / 30,000 / 50,000
<b>Relative linearity error <math>d_{lin}</math></b>	
Tension or compression	$\pm 0.15\% F_{nom}$ up to 1,000 N $\pm 0.20\% F_{nom}$ from 2,000 N
<b>Relative deviation of zero signal <math>d_{S, 0}</math></b>	$\pm 2\% F_{nom}$
<b>Relative repeatability error in unchanging mounting position <math>b_{rg}</math></b>	$\pm 0.1\% F_{nom}$ with 10 N $\pm 0.05\% F_{nom}$ from 20 N
<b>Temperature effect on zero signal <math>TK_0</math></b>	$\leq \pm 0.1\% / 10\text{ K}$
<b>Temperature effect on characteristic value <math>TK_C</math></b>	$\leq \pm 0.1\% / 10\text{ K}$
<b>Force limit <math>F_L</math></b>	150 % $F_{nom}$
<b>Breaking force <math>F_B</math></b>	> 300 % $F_{nom}$
<b>Permissible oscillation stress acc. to DIN 50100 <math>F_{rb}</math></b>	70 % $F_{nom}$
<b>Material</b>	Stainless steel
<b>Rated temperature range <math>B_{T, nom}</math></b>	15 ... 71 °C (15 ... 250 °C) Others on request
<b>Operating temperature range <math>B_{T, G}</math></b>	-54 ... +121 °C
<b>Reference temperature <math>T_{ref}</math></b>	23 °C
<b>Output signal (rated output) <math>C_{nom}</math></b>	2,0 mV/V (10 N with 1,5 mV/V)
<b>Input-/output resistance <math>R_e/R_a</math></b>	350 $\Omega$
<b>Insulation resistance</b>	> 2 G $\Omega$
<b>Electrical connection</b>	Cable (PTFE) 1.5 m, open wires, 4-wire
<b>Voltage supply</b>	
without amplifier	DC 5 V with 50 N, DC 10 V from 100 N for mV/V output
with cable amplifier	DC 12 ... 28 V for output 0(4) ... 20 mA, DC 0 ... 10 V
<b>Protection (acc. to IEC/EN 60529)</b>	IP65
<b>Weight</b>	20 g up to 250 g depending on rated force

# 9. Specifications

## Dimensions in mm

EN



Rated force in N	Dimensions in mm						
	ØD	A	B	C	E	F	ØG
10, 20, 50	19.1	11.43 ± 0.8	6.35	1.5 max.	M4 x 0.7	7.87	4.83
100, 200, 500	25.4	13.21	6.35	0.76	M5 x 0.8	12.7	6.35
1,000, 2,000, 5,000	25.4	13.21	9.65	0.76	M6 x 1.0	12.7	6.35
10,000	25.4	18.3	12.7	0.76	M10 x 1.5	12.7	6.35
20,000	31.8	23.9	16.0	0.76	M12 x 1.5	12.7	9.65
30,000, 50,000	35.1	27.9	22.35	0.76	M20 x 1.5	12.7	9.65

ADPR1X914124.02 06/2021 EN/DE

# 9. Specifications

EN

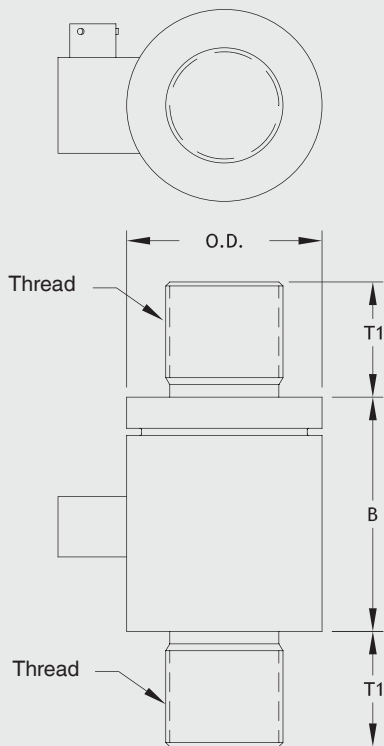
Model F2226		
Rated force $F_{nom}$ kN	10, 20, 30, 40, 50, 75, 100, 200	300, 500, 1,000, 1,500, 2,000, 2,200, 3,000, 3,300
Relative linearity error $d_{lin}$	$\leq \pm 0.15 \% F_{nom}$	$\leq \pm 0.20 \% F_{nom}$
Relative creep, 30 min.	$\leq \pm 0.1 \% F_{nom}$	
Relative reversibility error $v$	$\leq \pm 0.15 \% F_{nom}$	$\leq \pm 0.20 \% F_{nom}$
Relative span in unchanged mounting situation $b_{rg}$	$\leq \pm 0.05 \% F_{nom}$	
Relative deviation of zero signal $d_{S,0}$	$\leq \pm 1 \% F_{nom}$	
Temperature effect on the zero signal $TK_0$	$< \pm 0.05 \% \text{ of F.S./10 K}$	
Temperature effect on the characteristic value $TK_C$	$< \pm 0.05 \% \text{ Reading/10 K}$	
Limit force $F_L$	150 % $F_{nom}$	
Breaking force $F_B$	$> 300 \% F_{nom}$	
Permissible vibration loading per DIN 50100 $F_{rb}$	$\pm 70 \% F_{nom}$	
Rated displacement $s_{nom}$	$< 0.4 \text{ mm}$	
Material of the measuring body	Stainless steel	
Service temperature range $B_{T,G}$	$-54 \dots +121^\circ\text{C}$	
Rated temperature range $B_{T,nom}$	$15 \dots 71^\circ\text{C}$	
Output signal (rated characteristic value) $C_{nom}$	2 mV/V	
Input / Output resistance $R_e/R_a$	350 $\Omega$	
Insulation resistance $R_{is}$	$> 2 \text{ G}\Omega$	
Electrical connection	Coupler connector, 6-pin	
Voltage supply		
without amplifier	DC 2 ... 12 V (max. 15 V)	
with cable amplifier	DC 12 ... 28 V for output 0(4) ... 20 mA	
with integrated amplifier	DC 0 ... 10 V	
Protection (acc. to IEC/EN 60529)	IP66	
Options	<ul style="list-style-type: none"> <li>■ Force introduction components</li> <li>■ Integrated amplifier</li> <li>■ Extended temperature ranges</li> <li>■ Other thread sizes</li> <li>■ Other bridge resistance</li> <li>■ Connector / plug protection</li> <li>■ Internal / external thread</li> </ul>	

ADPR1X914124.02 06/2021 EN/DE

## 9. Specifications

### Dimensions in mm



EN



Rated force in kN	Dimensions in mm			
	Thread A	B	T1	Ø O.D.
10, 20	M16 x 2	66.0	24.1	38.1
30, 40, 50	M20 x 1.5	66.0	24.1	44.4
75	M24 x 2	66.0	31.8	44.4
100	M30 x 2	77.5	38.1	63.5
200	M45 x 3	77.5	38.1	63.5
300	M56 x 4	77.5	76.2	88.9
500	M56 x 4	77.5	76.2	88.9
1,000	M100 x 3	139.7	101.6	114.3
1,500	M100 x 3	139.7	114.3	127.0
2,000, 2,200	M120 x 4	146.1	127.0	139.7
3,000, 3,300	M150 x 4	139.7	171.5	168.4



### 9.1 Approvals

Logo	Description	Country
	<b>EU declaration of conformity</b> <ul style="list-style-type: none"><li>■ EMC directive</li><li>■ RoHS directive</li></ul>	European Union
	<b>EAC</b> <ul style="list-style-type: none"><li>■ EMC directive</li></ul>	Eurasian Economic Community

EN

## 10. Accessories

WIKA accessories can be found online at [www.wika.com](http://www.wika.com).



A division of the WIKAI Group

EN

## EU-Konformitätserklärung EU Declaration of Conformity

**Dokument Nr.:** ADEUKX300012.01  
**Document No.:**

Wir erklären in alleiniger Verantwortung, dass die mit CE gekennzeichneten Produkte  
*We declare under our sole responsibility that the CE marked products*

**Typenbezeichnung:** F2220\*, F2221\*, F2226\*  
**Type Designation:**

**Beschreibung:** Zug-/Druckaufnehmer mit Außengewinde  
**Description:** *Tension/compression force transducer with external thread*

gemäß gültigem Datenblatt:  
*according to the valid data sheet:* FO 51.16, FO 51.26, FO 51.51

die wesentlichen Schutzanforderungen der folgenden Richtlinien erfüllen: Harmonisierte Normen:  
*comply with the essential protection requirements of the directives: Harmonized standards:*

2011/65/EU Gefährliche Stoffe (RoHS)  
*Hazardous substances (RoHS)*

EN 50581:2012

\* gültig für passive Kraftaufnehmer, nicht für ggf. angeschlossene externe Verstärker  
*\* valid for passive force transducers, not for possibly connected external amplifiers*

Unterzeichnet für und im Namen von / Signed for and on behalf of

**tecsis GmbH**

Offenbach, 2020-12-17

  
Stefan Richter, Managing Director

  
Michael Kirsch, Quality Manager

tecsis GmbH  
Carl-Legien-Str. 40 - 44  
63073 Offenbach am Main

Tel. +49 69 5806-0  
Fax +49 69 5806-7788  
E-Mail [info@tecsis.de](mailto:info@tecsis.de)

Sitz Offenbach - Offenbach am Main  
Registernummer: HR B 40169  
Geschäftsführer: Stefan Richter u. Thomas Steinbacher

# Inhalt

<b>1. Allgemeines</b>	<b>28</b>
<b>2. Aufbau und Funktion</b>	<b>29</b>
2.1 Überblick Typen F2220, F2221 . . . . .	29
2.2 Überblick Typ F2226 . . . . .	29
<b>3. Sicherheit</b>	<b>30</b>
3.1 Symbolerklärung . . . . .	30
3.2 Beschreibung . . . . .	30
3.3 Lieferumfang . . . . .	30
3.4 Bestimmungsgemäße Verwendung . . . . .	31
3.5 Fehlgebrauch . . . . .	32
3.6 Verantwortung des Betreibers. . . . .	32
3.7 Personalqualifikation. . . . .	33
3.8 Persönliche Schutzausrüstung . . . . .	33
3.9 Beschilderung, Sicherheitskennzeichnungen . . . . .	34
<b>4. Transport, Verpackung und Lagerung</b>	<b>35</b>
4.1 Transport. . . . .	35
4.2 Verpackung und Lagerung . . . . .	35
<b>5. Inbetriebnahme, Betrieb</b>	<b>36</b>
5.1 Vorkehrung vor der Inbetriebnahme. . . . .	36
5.2 Montagehinweise . . . . .	36
5.3 Montage des Zug-/Druckkraftaufnehmers . . . . .	37
5.4 Montage des Zug-/Druckkraftaufnehmers mit Gelenkköpfen . . . . .	38
5.5 Elektrischer Anschluss . . . . .	39
5.6 Anschluss eines Messverstärkers . . . . .	39
5.7 Anschlussbelegung Typen F2220, F2221 . . . . .	39
5.8 Anschlussbelegung Typ F2226 . . . . .	39
<b>6. Störungen</b>	<b>40</b>
<b>7. Wartung und Reinigung</b>	<b>41</b>
7.1 Wartung . . . . .	41
7.2 Reinigung . . . . .	41
7.3 Rekalibrierung . . . . .	41
<b>8. Demontage, Rücksendung und Entsorgung</b>	<b>42</b>
8.1 Demontage . . . . .	42
8.2 Rücksendung . . . . .	42
8.3 Entsorgung . . . . .	42
<b>9. Technische Daten</b>	<b>43</b>
9.1 Zulassungen . . . . .	49
<b>10. Zubehör</b>	<b>49</b>
<b>Anlage: EU-Konformitätserklärung</b>	<b>50</b>

DE

ADPR1X914124.02.06/2021 EN/DE

## 1. Allgemeines

- Die in der Betriebsanleitung beschriebenen Zug-/Druckkraftaufnehmer werden nach dem aktuellen Stand der Technik konstruiert und gefertigt. Alle Komponenten unterliegen während der Fertigung strengen Qualitäts- und Umweltkriterien. Unsere Managementsysteme sind nach ISO 9001 zertifiziert.
- Diese Betriebsanleitung gibt wichtige Hinweise zum Umgang mit dem Gerät. Voraussetzung für sicheres Arbeiten ist die Einhaltung aller angegebenen Sicherheitshinweise und Handlungsanweisungen.
- Die für den Einsatzbereich des Gerätes geltenden örtlichen Unfallverhütungsvorschriften und allgemeinen Sicherheitsbestimmungen einhalten.
- Die Betriebsanleitung ist Produktbestandteil und muss in unmittelbarer Nähe des Gerätes für das Fachpersonal jederzeit zugänglich aufbewahrt werden. Betriebsanleitung an nachfolgende Benutzer oder Besitzer des Gerätes weitergeben.
- Das Fachpersonal muss die Betriebsanleitung vor Beginn aller Arbeiten sorgfältig durchgelesen und verstanden haben.
- Es gelten die allgemeinen Geschäftsbedingungen in den Verkaufsunterlagen.
- Technische Änderungen vorbehalten.
- Werkskalibrierungen / DAkKS-Kalibrierungen erfolgen nach internationalen Normen.

Weitere Informationen:

- Internet-Adresse: [www.wika.de](http://www.wika.de)
- Zugehöriges Datenblatt: FO 51.16 (F2220)  
FO 51.26 (F2221)  
FO 51.51 (F2226)
- Anwendungsberater: Tel.: +49 9372 132-0  
Fax: +49 9372 132-406  
[info@wika.de](mailto:info@wika.de)

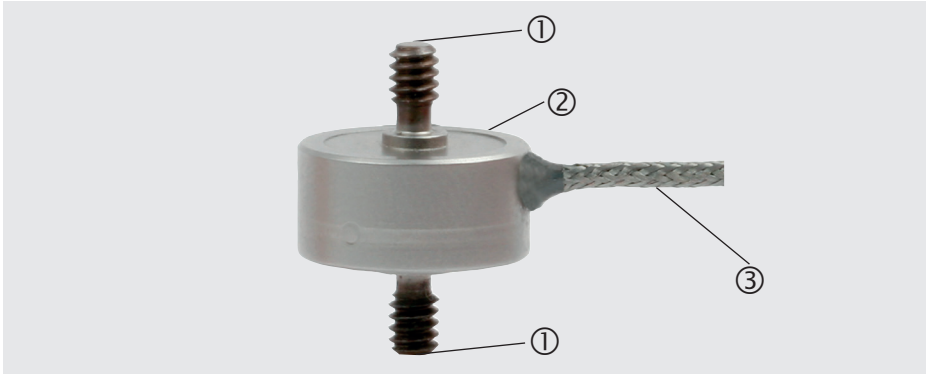
### Abkürzungen, Definitionen

2-Leiter	Die zwei Anschlussleitungen dienen zur Spannungsversorgung. Der Speisestrom ist das Messsignal.
3-Leiter	Zwei Anschlussleitungen dienen zur Spannungsversorgung. Eine Anschlussleitung dient für das Messsignal.
UB+	Positiver Versorgungsanschluss
UB-	Negativer Versorgungsanschluss
S+	Positiver Messanschluss
S-	Negativer Messanschluss
Schirm	Gehäuse

### 2. Aufbau und Funktion

#### 2.1 Überblick Typen F2220, F2221

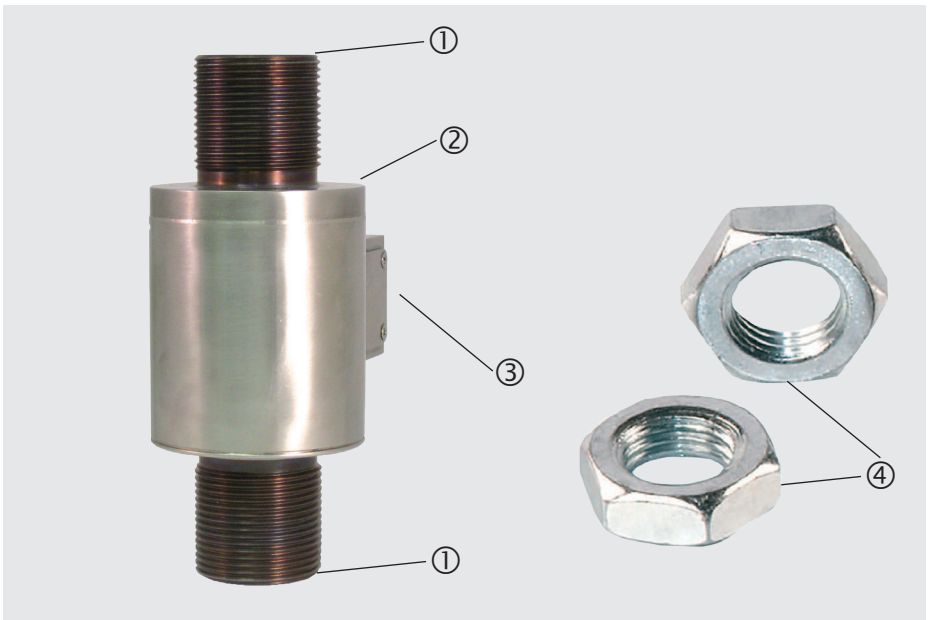
- ① Krafteinleitung
- ② Messfeder
- ③ Elektrischer Anschluss



DE

#### 2.2 Überblick Typ F2226

- ① Krafteinleitung
- ② Messfeder
- ③ Elektrischer Anschluss
- ④ Kontermuttern



### 2.3 Beschreibung

Der Zug-/Druckkraftaufnehmer ist für das Messen statischer und dynamischer Zug-/Druckkräfte vorgesehen. Der Zug-/Druckkraftaufnehmer besteht aus einer Messfeder auf der Dehnungsmessstreifen (DMS) aufgebracht sind. Der Messkörper ist aus korrosionsbeständigem CrNi-Stahl gefertigt und wird durch in die Krafrichtung eingeleitete Zug-/Druckkraft elastisch verformt. Die entstehenden mechanischen Spannungen werden dabei durch die Dehnungsmessstreifen gemessen und als elektrisches Ausgangssignal ausgegeben. Die DMS sind so angeordnet, dass zwei von ihnen gedehnt und die zwei anderen gestaucht werden, wenn eine Kraft auf den Aufnehmer einwirkt. Die Aufnehmerschaltung enthält Korrektur- und Kompensationswiderstände, um unerwünschte Einflüsse auf Nullsignal und Kennwert zu beseitigen.

DE

### 2.4 Lieferumfang

- Zug-/Druckkraftaufnehmer
- Betriebsanleitung

## 3. Sicherheit

### 3.1 Symbolerklärung



#### **WARNUNG!**

... weist auf eine möglicherweise gefährliche Situation hin, die zum Tod oder zu schweren Verletzungen führen kann, wenn sie nicht gemieden wird.



#### **VORSICHT!**

... weist auf eine möglicherweise gefährliche Situation hin, die zu geringfügigen oder leichten Verletzungen bzw. Sach- und Umweltschäden führen kann, wenn sie nicht gemieden wird.



#### **Information**

... hebt nützliche Tipps und Empfehlungen sowie Informationen für einen effizienten und störungsfreien Betrieb hervor.

## 3.2 Bestimmungsgemäße Verwendung

Die Zug-/Druckkraftaufnehmer sind für das Messen statischer und dynamischer Zug- und/oder Druckkräfte vorgesehen.

Typ	Ausführung
F2220	Ausführung für kleine Messbereiche 0 ... 10 N bis 0 ... 5.000 N
F2221	Ausführung für kleine Messbereiche 0 ... 10 N bis 0 ... 50 kN
F2226	Ausführung für Messbereiche 0 ... 10 kN bis 0 ... 3.300 kN

DE

Diese Geräte sind gemäß den Sicherheitsbestimmungen für elektronische Messgeräte gebaut und geprüft. Jeder darüber hinausgehende Gebrauch gilt als nicht bestimmungsgemäß. Die einwandfreie Funktion und Betriebssicherheit der Aufnehmer kann nur bei Einhaltung der Angaben in der Betriebsanleitung garantiert werden. Bei der Verwendung sind zusätzlich die für den jeweiligen Anwendungsfall erforderlichen Rechts- und Sicherheitsvorschriften zu beachten (z. B. VDE 0100). Sinngemäß gilt dies auch bei Verwendung von Zubehör. Zug-/Druckkraftaufnehmer sind RoHS-konform gem. Richtlinie 2011/65/EU. Der einwandfreie und sichere Betrieb dieses Aufnehmers setzt sachgemäßen Transport, fachgerechte Lagerung, Aufstellung und Montage sowie sorgfältige Bedienung und Instandhaltung voraus.

Das Gerät ist ausschließlich für den hier beschriebenen bestimmungsgemäßen Verwendungszweck konzipiert und konstruiert und darf nur dementsprechend verwendet werden. Die technischen Spezifikationen in dieser Betriebsanleitung sind einzuhalten. Eine unsachgemäße Handhabung oder ein Betreiben des Gerätes außerhalb der technischen Spezifikationen macht die sofortige Stilllegung und Überprüfung durch einen autorisierten Servicemitarbeiter erforderlich.

Elektronische Präzisionsmessgeräte mit erforderlicher Sorgfalt behandeln (vor Nässe, Stößen, starken Magnetfeldern, statischer Elektrizität und extremen Temperaturen schützen, keine Gegenstände in das Gerät bzw. Öffnungen einführen). Stecker, Litzen und Buchsen vor Verschmutzung schützen.

Ansprüche jeglicher Art aufgrund von nicht bestimmungsgemäßer Verwendung sind ausgeschlossen.

### 3.3 Fehlgebrauch



#### **WARNUNG!**

#### **Verletzungen durch Fehlgebrauch**

Fehlgebrauch des Gerätes kann zu gefährlichen Situationen und Verletzungen führen.

- ▶ Eigenmächtige Umbauten am Gerät unterlassen.

DE

Jede über die bestimmungsgemäße Verwendung hinausgehende oder andersartige Benutzung gilt als Fehlgebrauch.

### 3.4 Verantwortung des Betreibers

Das Gerät wird im gewerblichen Bereich eingesetzt. Der Betreiber unterliegt daher den gesetzlichen Pflichten zur Arbeitssicherheit.

Die Sicherheitshinweise dieser Betriebsanleitung, sowie die für den Einsatzbereich des Gerätes gültigen Sicherheits-, Unfallverhütungs- und Umweltschutzvorschriften einhalten.

Der Betreiber ist verpflichtet das Typenschild lesbar zu halten.

Für ein sicheres Arbeiten am Gerät muss der Betreiber sicherstellen,

- dass eine entsprechende Erste-Hilfe-Ausrüstung vorhanden ist und bei Bedarf jederzeit Hilfe zur Stelle ist.
- dass das Elektrofachpersonal regelmäßig in allen zutreffenden Fragen von Arbeitssicherheit, Erste Hilfe und Umweltschutz unterwiesen wird, sowie die Betriebsanleitung und insbesondere die darin enthaltenen Sicherheitshinweise kennt.
- dass das Gerät gemäß der bestimmungsgemäßen Verwendung für den Anwendungsfall geeignet ist.
- dass die persönliche Schutzausrüstung verfügbar ist.



### 3.5 Personalqualifikation



#### **WARNUNG!**

#### **Verletzungsgefahr bei unzureichender Qualifikation**

Unsachgemäßer Umgang kann zu erheblichen Personen- und Sachschäden führen.

- ▶ Die in dieser Betriebsanleitung beschriebenen Tätigkeiten nur durch Fachpersonal nachfolgend beschriebener Qualifikation durchführen lassen.

DE

### **Elektrofachpersonal**

Das Elektrofachpersonal ist aufgrund seiner fachlichen Ausbildung, Kenntnisse und Erfahrungen sowie Kenntnis der landesspezifischen Vorschriften, geltenden Normen und Richtlinien in der Lage, Arbeiten an elektrischen Anlagen auszuführen und mögliche Gefahren selbstständig zu erkennen und zu vermeiden. Das Elektrofachpersonal ist speziell für das Arbeitsumfeld, in dem es tätig ist, ausgebildet und kennt die relevanten Normen und Bestimmungen. Das Elektrofachpersonal muss die Bestimmungen der geltenden gesetzlichen Vorschriften zur Unfallverhütung erfüllen.

### 3.6 Persönliche Schutzausrüstung

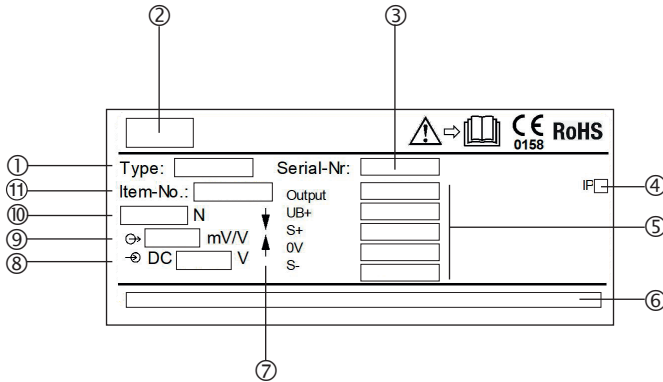
Anforderungen an benötigte Schutzausrüstung ergeben sich aus den Umgebungsbedingungen am Ort der Nutzung, anderen Produkten oder der Verknüpfung mit anderen Produkten.

Die erforderliche persönliche Schutzausrüstung muss vom Betreiber zur Verfügung gestellt werden. Der Betreiber wird durch diese Vorschläge in keiner Weise von seinen arbeitsrechtlichen Pflichten zur Sicherheit und dem Schutz der Gesundheit der Arbeitnehmer entbunden.

Die Bemessung der persönlichen Schutzausrüstung muss unter Berücksichtigung aller Betriebsparameter des Einsatzortes erfolgen.

## 3.7 Beschilderung, Sicherheitskennzeichnungen

### Typenschild



- ① Typ
- ② Herstellerlogo
- ③ Seriennummer
- ④ Schutzart gem. DIN EN 60529
- ⑤ Anschlussbelegung
- ⑥ Herstelleradresse
- ⑦ Krafterichtung
- ⑧ Speisespannung
- ⑨ Ausgangssignal
- ⑩ Messbereich
- ⑪ Produktcode

### 4. Transport, Verpackung und Lagerung

#### 4.1 Transport

Den Zug-/Druckkraftaufnehmer auf eventuell vorhandene Transportschäden untersuchen. Offensichtliche Schäden unverzüglich mitteilen.



#### **VORSICHT!**

#### **Beschädigungen durch unsachgemäßen Transport**

Bei unsachgemäßem Transport können Sachschäden in erheblicher Höhe entstehen.

- ▶ Beim Abladen der Packstücke bei Anlieferung sowie innerbetrieblichem Transport vorsichtig vorgehen und die Symbole auf der Verpackung beachten.
- ▶ Bei innerbetrieblichem Transport die Hinweise unter Kapitel 4.2 „Verpackung und Lagerung“ beachten.

Als Präzisionsmessgeräte verlangen die Aufnehmer beim Transport und der Montage eine sorgfältige Handhabung. Laststöße während des Transports (z. B. Aufschlag auf harten Untergrund) können zu bleibenden Schäden führen, die im späteren Messbetrieb zu Messfehlern führen.

#### 4.2 Verpackung und Lagerung

Verpackung erst unmittelbar vor der Montage entfernen.

Die Verpackung aufbewahren, denn diese bietet bei einem Transport einen optimalen Schutz (z. B. wechselnder Einbauort, Reparatursendung).

#### **Typ F2226**

Bei der Lagerung muss sich die Schutzkappe immer auf dem elektrischen Anschluss befinden, um einen Feuchtigkeitseintritt sowie Schmutz zu vermeiden.

#### **Zulässige Bedingungen am Lagerort:**

- Lagertemperatur: Hinweise unter Kapitel 9 „Technische Daten“
- Feuchtigkeit: 35 ... 85 % relative Feuchte (keine Betauung)

#### **Folgende Einflüsse vermeiden:**

- Mechanische Vibration, mechanischer Schock (hartes Aufstellen)
- Staub, Schmutz und sonstige Gegenstände dürfen sich nicht so ablagern, dass sie einen Kraftnebenschluss zur Messfeder bilden, da dadurch das Messsignal verfälscht wird.

### 5. Inbetriebnahme, Betrieb

#### 5.1 Vorkehrung vor der Inbetriebnahme

- Zug-/Druckkraftaufnehmer sind empfindliche Messgeräte und entsprechend sorgsam zu behandeln.
- Vor der Montage des Zug-/Druckkraftaufnehmers prüfen, ob die Gewindebohrungen der Einbauposition maßhaltig ausgeführt wurden, so dass der problemlose mechanische Einbau des Zug-/Druckkraftaufnehmers gewährleistet ist.
- Vor der Montage darauf achten, dass die Bohrspäne aus den Gewindebohrungen entfernt wurden.

#### 5.2 Montagehinweise



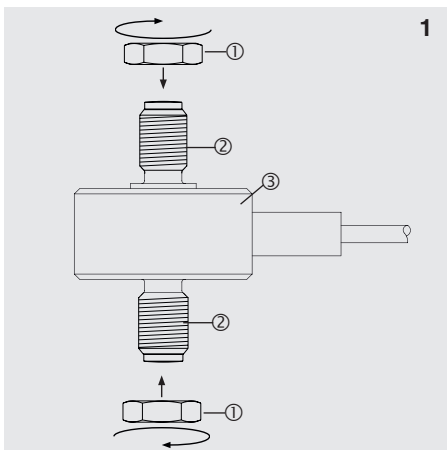
#### **VORSICHT!** **Beschädigung des Gerätes durch unsachgemäße Montage**

- Torsionsmomente, außermittige Belastungen und Querbelastrungen bzw. Seitenkräfte verursachen Messfehler und können den Zug-/Druckkraftaufnehmer bleibend schädigen.
- Eine Fehlbelastung kann zu dauerhaftem Schaden führen, der eine Nullpunktabweichung im unbelasteten Zustand zur Folge hat.
- ▶ Beim Einbau des Zug-/ Druckkraftaufnehmers ist auf die Einbaulage und die Belastungsrichtung zu achten.
- ▶ Torsions- und Querkräfte sind zu vermeiden. Zu den Querbelastrungen und Seitenkräften gehören auch die entsprechenden Komponenten der eventuell schräg eingeleiteten Messgrößen.
- ▶ Die Montage des Zug-/Druckkraftaufnehmers darf nicht mit Gewalteinwirkung erfolgen.
- ▶ Während des Einbaus des Zug-/Druckkraftaufnehmers ist das Ausgangssignal (Kraftwert) stets zu überwachen, um eine mechanische Überlastung zu vermeiden.
- ▶ Sind hohe Querkräfte bzw. Seitenkräfte zu erwarten, empfiehlt sich der Einsatz von Gelenkköpfen.
- ▶ Die mitgelieferten Kontermuttern bei Typ F2226 dürfen in keinem Fall am Verformungskörper anliegen. Ein Spalt von 0,5 mm ist mindestens vorzusehen.
- ▶ Bei den Typen F2220 und F2221 darf die Vorrichtung nicht am Verformungskörper anliegen.

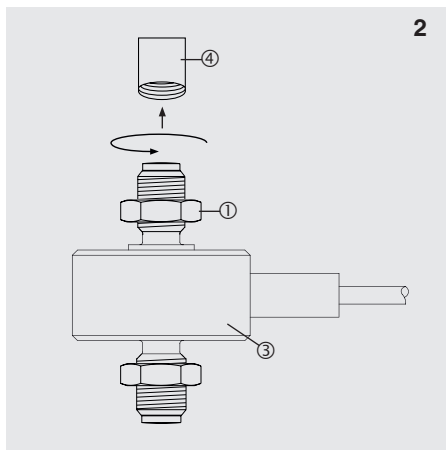
## 5.3 Montage des Zug-/Druckkraftaufnehmers

- ① Kontermuttern (nur Typ F2226)
- ② Gewinde
- ③ Kraftaufnehmer

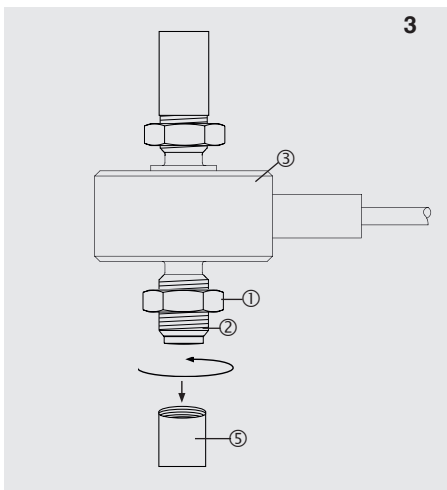
- ④ Messobjekt
- ⑤ Gegenstück Messobjekt



Bei Bedarf Kontermuttern auf je ein Gewinde des Kraftaufnehmers aufschrauben.



Kraftaufnehmer in Messobjekt einschrauben. Bei Bedarf mit Kontermutter kontern. Max. Drehmoment beachten.

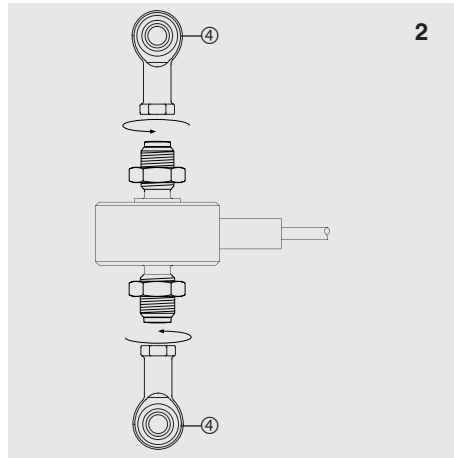
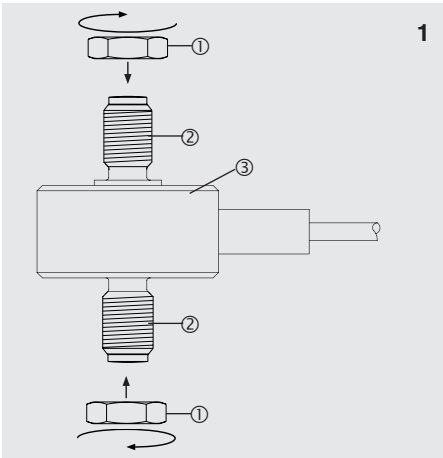


Gegenstück des Messobjekts auf freies Gewinde aufschrauben. Gegebenfalls mit Kontermutter kontern. Max. Drehmoment beachten. Kraftaufnehmer belasten.

## 5.4 Montage des Zug-/Druckkraftaufnehmers mit Gelenkköpfen

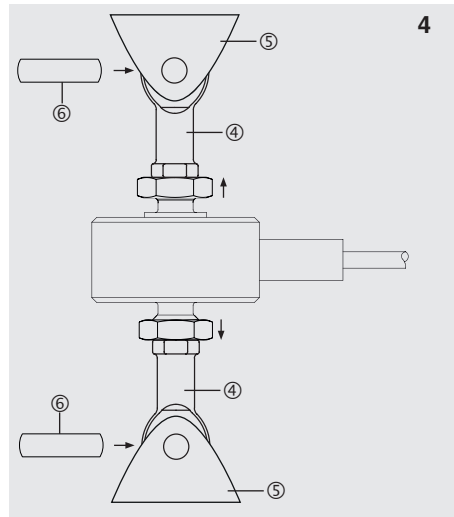
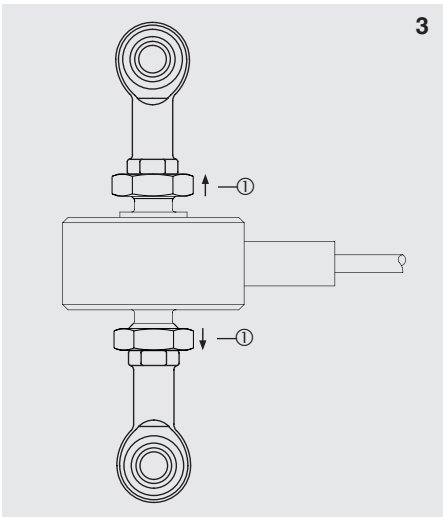
- ① Kontermuttern (nur Typ F2226)    ③ Kraftaufnehmer
- ② Gewinde
- ④ Gelenkköpfe
- ⑤ Haltevorrichtung
- ⑥ Haltebolzen

DE



Bei Bedarf Kontermuttern auf je ein Gewinde des Kraftaufnehmers aufschrauben.

Gelenkköpfe auf Gewinde aufschrauben.



Kontermuttern kontern. Max. Drehmoment beachten.

Gelenkköpfe in Haltevorrichtungen positionieren und mit Haltebolzen fixieren. Die Haltebolzen dürfen die freie Lagerung des Kraftaufnehmers nicht beeinträchtigen. Kraftaufnehmer belasten.

## 5.5 Elektrischer Anschluss

### Um Einkopplungen von Störungen zu vermeiden:

- Nur abgeschirmte, kapazitätsarme Messkabel verwenden (Kabel, siehe Kapitel 10 „Zubehör“).
- Schirm des Messkabels erden.
- Kabelschirm mit dem Gehäuse des Zug-/Druckkraftaufnehmers verbinden. Bei den Zubehörkabeln ist der Kabelschirm mit der Rändelmutter und damit mit dem Gehäuse des Zug-/Druckkraftaufnehmers verbunden (Kabel, siehe Kapitel 10 „Zubehör“).
- Messkabel nicht parallel zu Starkstrom- und Steuerleitungen legen.
- Streufelder von Transformatoren sowie Motoren und Schützen vermeiden.
- Aufnehmer, Verstärker und Verarbeitungs- bzw. Anzeigeeinheit dürfen nicht mehrfach geerdet werden. Alle Geräte an den selben Schutzleiter anschließen.

Die Anschlussbelegung des Steckers oder des Kabels ist dem Typenschild zu entnehmen.

Beim Verlängern dürfen nur abgeschirmte und kapazitätsarme Kabel verwendet werden. Die erlaubten maximalen und minimalen Längen des Kabels sind in der ISO 11898-2 angegeben. Dabei ist auf die Abschirmung zu achten.

## 5.6 Anschluss eines Messverstärkers

- Die Verwendung eines Messverstärkers ist optional möglich.
- Der Messverstärker ist nicht im Lieferumfang enthalten.
- Die in dieser Betriebsanleitung beschriebenen Zug-/Druckkraftaufnehmer geben auf Basis von Dehnungsmessstreifen ein Signal in mV/V aus.
- Es können alle Gleichspannungsverstärker und Trägerfrequenzverstärker verwendet werden, die für DMS-Messsysteme ausgelegt sind.

## 5.7 Anschlussbelegung Typen F2220, F2221

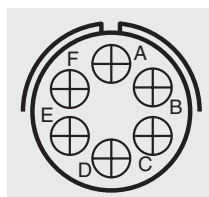
### Elektrischer Anschluss - Kabelbelegung

Speisespannung (+)	Rot
Speisespannung (-)	Schwarz
Signal (+)	Weiß
Signal (-)	Grün

## 5.8 Anschlussbelegung Typ F2226

### Elektrischer Anschluss mV/V - Stecker

Speisespannung (+)	Pin A&B
Speisespannung (-)	Pin C&D
Signal (+)	Pin F
Signal (-)	Pin E



## 6. Störungen



### VORSICHT!

#### Körperverletzungen, Sachschäden

Können Störungen mit Hilfe der aufgeführten Maßnahmen nicht beseitigt werden, den Zug-/Druckkraftaufnehmer unverzüglich außer Betrieb setzen.

- ▶ Kontakt mit dem Hersteller aufnehmen.
- ▶ Bei notwendiger Rücksendung die Hinweise unter Kapitel 9.2 „Rücksendung“ beachten.

DE



Kontaktdaten siehe Kapitel 1 „Allgemeines“ oder Rückseite der Betriebsanleitung.

Störungen	Ursachen	Maßnahmen
Kein Ausgangssignal	Keine oder falsche Hilfsenergie, Stromstoß	Hilfsenergie korrigieren
	Leitungsbruch	Durchgang überprüfen
Kein oder falsches Ausgangssignal	Falsche Anschlussbelegung	Anschlussbelegung prüfen
Abweichendes Nullpunkt-Signal	Überlast, Last-Offset, falscher Anschluss	Rücksprache mit Hersteller
Gleichbleiben des Ausgangssignals bei Kraftänderung	Mechanische Überlastung, falsche Anschlussbelegung	Rücksprache mit Hersteller
Spannung schwankend	EMV-Störquellen in Umgebung, z. B. Frequenzumrichter	Gerät abschirmen; Leitungsabschirmung; Störquelle entfernen
Spannung fällt ab/zu klein	Mechanische Überlastung	Rücksprache mit Hersteller



### 7. Wartung und Reinigung



Kontaktdaten siehe Kapitel 1 „Allgemeines“ oder Rückseite der Betriebsanleitung.

#### 7.1 Wartung

Dieses Gerät ist wartungsfrei.

Reparaturen sind ausschließlich vom Hersteller durchzuführen.  
Nur Originalteile verwenden (siehe Kapitel 10 „Zubehör“).

#### 7.2 Reinigung

1. Vor der Reinigung den Zug-/Druckkraftaufnehmer ordnungsgemäß von der Spannungsversorgung trennen und ausbauen.
2. Den Zug-/Druckkraftaufnehmer mit einem Tuch reinigen.  
Elektrische Anschlüsse nicht mit Feuchtigkeit in Berührung bringen!



#### **VORSICHT!**

#### **Beschädigung des Gerätes**

- Eine unsachgemäße Reinigung führt zur Beschädigung des Gerätes!
- ▶ Keine aggressiven Reinigungsmittel verwenden.
  - ▶ Keine harten und spitzen Gegenstände zur Reinigung verwenden.

#### 7.3 Rekalibrierung

#### **DAkS-Schein - amtliche Bescheinigungen:**

Es wird empfohlen, den Zug-/Druckkraftaufnehmer in regelmäßigen Zeitabständen von ca. 24 Monaten durch den Hersteller rekalibrieren zu lassen. Die Grundeinstellungen werden wenn notwendig korrigiert.

### 8. Demontage, Rücksendung und Entsorgung

#### 8.1 Demontage

Den Zug-/Druckkraftaufnehmer entlasten und vom Strom trennen. Den Zug-/Druckkraftaufnehmer aus der Einbausituation entfernen.

#### 8.2 Rücksendung

##### **Beim Versand des Gerätes unbedingt beachten:**

Alle an WIKA gelieferten Geräte müssen frei von Gefahrstoffen (Säuren, Laugen, Lösungen, etc.) sein und sind daher vor der Rücksendung zu reinigen.

Zur Rücksendung des Gerätes die Originalverpackung oder eine geeignete Transportverpackung verwenden.

##### **Um Schäden zu vermeiden:**

1. Das Gerät in eine antistatische Plastikfolie einhüllen.
2. Das Gerät mit dem Dämmmaterial in der Verpackung platzieren.  
Zu allen Seiten der Transportverpackung gleichmäßig dämmen.
3. Wenn möglich einen Beutel mit Trocknungsmittel der Verpackung beifügen.
4. Sendung als Transport eines hochempfindlichen Messgerätes kennzeichnen.



Hinweise zur Rücksendung befinden sich in der Rubrik „Service“ auf unserer lokalen Internetseite.

#### 8.3 Entsorgung

Durch falsche Entsorgung können Gefahren für die Umwelt entstehen. Gerätekomponenten und Verpackungsmaterialien entsprechend den landesspezifischen Abfallbehandlungs- und Entsorgungsvorschriften umweltgerecht entsorgen.



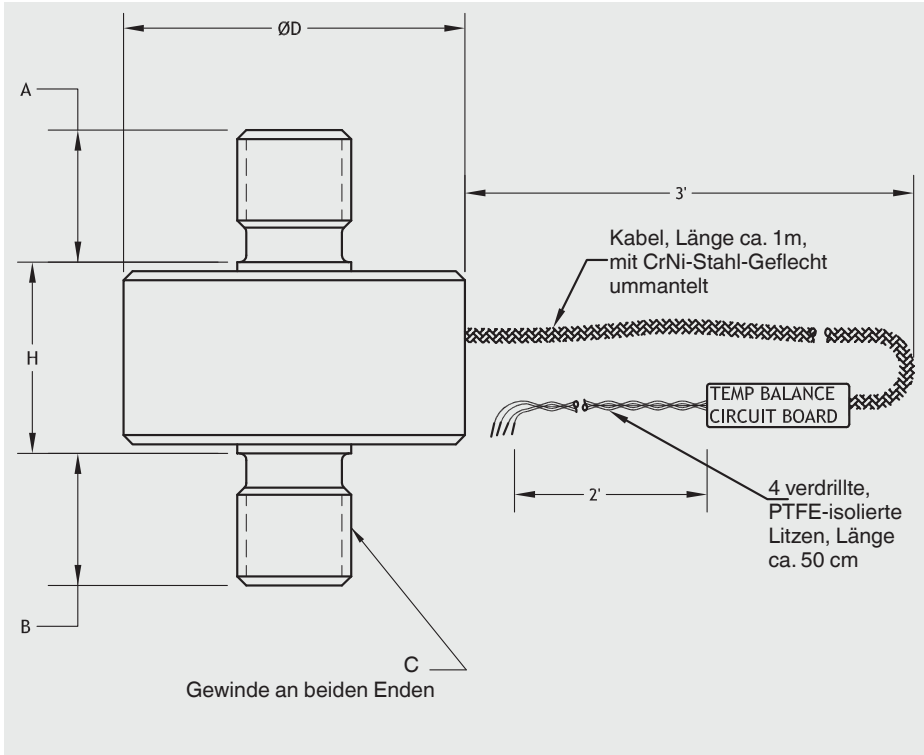
Nicht mit dem Hausmüll entsorgen. Für eine geordnete Entsorgung gemäß nationaler Vorgaben sorgen.

## 9. Technische Daten

DE

Typ F2220	
Nennkraft $F_{nom}$ N	10 / 20 / 50 / 100 / 200 / 500 / 1.000 / 2.000 / 5.000
Relative Linearitätsabweichung $d_{lin}$	
Zug oder Druck	$\pm 0,5 \% F_{nom}$
Relatives Kriechen, 30 min.	$\leq \pm 0,1 \% F_{nom}$
Relative Umkehrspanne $v$	$\pm 0,5 \% F_{nom}$
Relative Abweichung des Nullsignals $d_{s, 0}$	$\pm 2 \% F_{nom}$
Relative Spannweite in unveränderter Einbaustellung $b_{rg}$	$\pm 0,1 \% F_{nom}$
Temperatureinfluss auf das Nullsignal $TK_0$	$\leq \pm 0,2 \% / 10 K$
Temperatureinfluss auf den Kennwert $TK_C$	$\leq \pm 0,4 \% / 10 K$
Grenzkraft $F_L$	$150 \% F_{nom}$
Bruchkraft $F_B$	$> 300 \% F_{nom}$
Zulässige Schwingbeanspruchung nach DIN 50100 $F_{rb}$	$70 \% F_{nom}$
Material des Messkörpers	CrNi-Stahl
Nenntemperaturbereich $B_{T, nom}$	15 ... 70 °C (optional 15 ... 250 °C) Andere Temperaturbereiche auf Anfrage
Gebrauchstemperaturbereich $B_{T, G}$	-54 ... +121 °C
Ausgangssignal (Nennkennwert) $C_{nom}$	2 mV/V (10 N 1,5 mV/V)
Ein-/ Ausgangswiderstand $R_e/R_a$	350 $\Omega$
Isolationswiderstand $R_{is}$	$> 2 G\Omega$
Elektrischer Anschluss	geschirmtes Messkabel (PTFE) 1,5 m, freie Litzen, 4-Leiter
Spannungsversorgung	
ohne Messverstärker	DC 2 ... 5 V (max. 5 V) für mV/V-Ausgang
mit Kabelmessverstärker	DC 12 ... 28 V für Ausgang 0(4) ... 20 mA, DC 0 ... 10 V
Schutzart (nach IEC/EN 60529)	IP65
Gewicht	Ca. 5 g bis 30 g je nach Nennkraft

## Abmessungen in mm



Nennkraft in N	Abmessungen in mm				
	ØD	H	A	B	C
10, 20, 50, 100, 200, 500	12,7	7,4	4,8	4,6	M3 x 0,5
1.000, 2.000, 5.000	19,1	9,7	7,9	7,9	M6 x 1,0

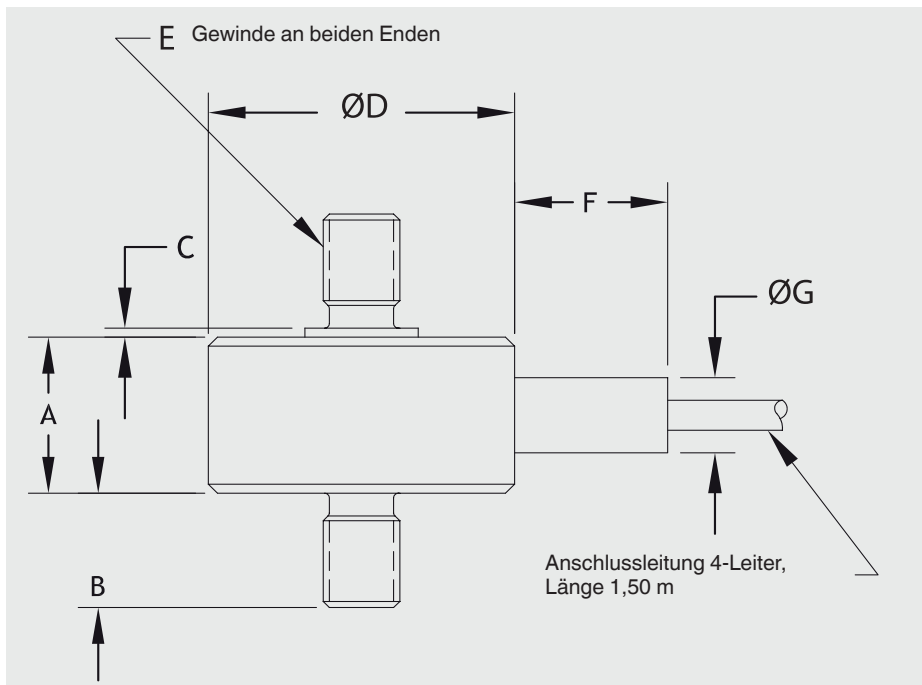
## 9. Technische Daten

DE

Typ F2221	
Nennkraft $F_{nom}$ N	10 / 20 / 50 / 100 / 200 / 500 / 1.000 / 2.000 / 5.000 / 10.000 / 20.000 / 30.000 / 50.000
Relative Linearitätsabweichung $d_{lin}$	
Zug oder Druck	$\pm 0,15 \% F_{nom}$ bis 1.000 N $\pm 0,20 \% F_{nom}$ ab 2.000 N
Relative Abweichung des Nullsignals $d_{S, 0}$	$\pm 2 \% F_{nom}$
Relative Spannweite in unveränderter Einbaustellung $b_{rg}$	$\pm 0,1 \% F_{nom}$ bei 10 N $\pm 0,05 \% F_{nom}$ ab 20 N
Temperatureinfluss auf das Nullsignal $TK_0$	$\leq \pm 0,1 \% / 10$ K
Temperatureinfluss auf den Kennwert $TK_C$	$\leq \pm 0,1 \% / 10$ K
Grenzkraft $F_L$	$150 \% F_{nom}$
Bruchkraft $F_B$	$> 300 \% F_{nom}$
Zulässige Schwingbeanspruchung nach DIN 50100 $F_{rb}$	$70 \% F_{nom}$
Material des Messkörpers	CrNi-Stahl
Nenntemperaturbereich $B_{T, nom}$	15 ... 71 °C (optional 15 ... 250 °C) Andere Temperaturbereiche auf Anfrage
Gebrauchstemperaturbereich $B_{T, G}$	-54 ... +121 °C
Referenztemperatur $T_{ref}$	23 °C
Ausgangssignal (Nennkennwert) $C_{nom}$	2,0 mV/V (10 N mit 1,5 mV/V)
Ein-/ Ausgangswiderstand $R_e/R_a$	350 $\Omega$
Isolationswiderstand $R_{is}$	$> 2$ G $\Omega$
Elektrischer Anschluss	Messkabel (PTFE) 1,5 m, freie Litzen, 4-Leiter
Spannungsversorgung	
ohne Messverstärker	DC 5 V bis 50 N, DC 10 V ab 100 N für mV/V-Ausgang
mit Kabelmessverstärker	DC 12 ... 28 V für Ausgang 0(4) ... 20 mA, DC 0 ... 10 V
Schutzart (nach IEC/EN 60529)	IP65
Gewicht	Ca. 20 g bis 250 g je nach Nennkraft

## Abmessungen in mm

DE



Nennkraft in N	Abmessungen in mm						
	$\varnothing D$	A	B	C	E	F	$\varnothing G$
10, 20, 50	19,1	11,43 ± 0,8	6,35	1,5 max.	M4 x 0,7	7,87	4,83
100, 200, 500	25,4	13,21	6,35	0,76	M5 x 0,8	12,7	6,35
1.000, 2.000, 5.000	25,4	13,21	9,65	0,76	M6 x 1,0	12,7	6,35
10.000	25,4	18,3	12,7	0,76	M10 x 1,5	12,7	6,35
20.000	31,8	23,9	16,0	0,76	M12 x 1,5	12,7	9,65
30.000, 50.000	35,1	27,9	22,35	0,76	M20 x 1,5	12,7	9,65

# 9. Technische Daten

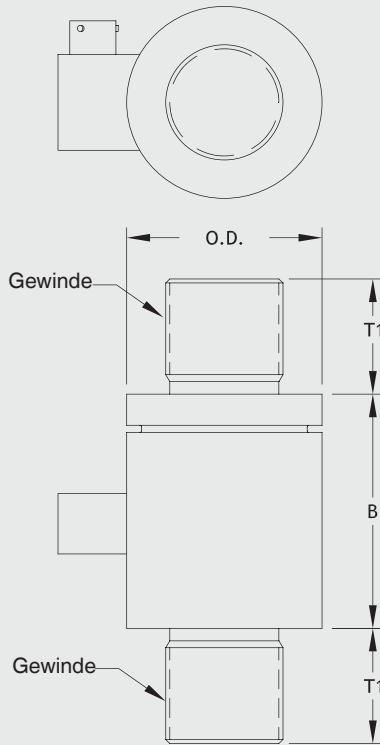
DE

Typ F2226		
Nennkraft $F_{nom}$ kN	10, 20, 30, 40, 50, 75, 100, 200	300, 500, 300, 500, 1.000, 1.500, 2.000, 2.200, 3.000, 3.300
Relative Linearitätsabweichung $d_{lin}$	$\leq \pm 0,15 \% F_{nom}$	$\leq \pm 0,20 \% F_{nom}$
Relatives Kriechen, 30 min.	$\leq \pm 0,1 \% F_{nom}$	
Relative Umkehrspanne $v$	$\leq \pm 0,15 \% F_{nom}$	$\leq \pm 0,20 \% F_{nom}$
Relative Spannweite in unveränderter Einbaustellung $b_{rg}$	$\leq \pm 0,05 \% F_{nom}$	
Relative Abweichung des Nullsignals $d_{S, 0}$	$\leq \pm 1 \% F_{nom}$	
Temperatureinfluss auf das Nullsignal $TK_0$	$< \pm 0,05 \% v.EW./10 K$	
Temperatureinfluss auf den Kennwert $TK_C$	$< \pm 0,05 \% v.IW./10 K$	
Grenzkraft $F_L$	$150 \% F_{nom}$	
Bruchkraft $F_B$	$> 300 \% F_{nom}$	
Zulässige Schwingbeanspruchung nach DIN 50100 $F_{rb}$	$\pm 70 \% F_{nom}$	
Nennmessweg $s_{nom}$	$< 0,4 \text{ mm}$	
Werkstoff des Messkörpers	CrNi-Stahl	
Gebrauchstemperaturbereich $B_{T, G}$	$-54 \dots +121^\circ\text{C}$	
Nenntemperaturbereich $B_{T, nom}$	$15 \dots 71^\circ\text{C}$	
Ausgangssignal (Nennkennwert) $C_{nom}$	$2 \text{ mV/V}$	
Ein-/ Ausgangswiderstand $R_e/R_a$	$350 \Omega$	
Isolationswiderstand $R_{is}$	$> 2 \text{ G}\Omega$	
Elektrischer Anschluss	Anschlusstecker, 6-polig	
Spannungsversorgung		
ohne Messverstärker	DC 10 V (max. 15 V)	
mit integriertem Messverstärker	DC 12 ... 28 V für Ausgang 0(4) ... 20 mA	
mit Kabelmessverstärker	DC 0 ... 10 V	
Schutzart (nach IEC/EN 60529)	IP66	
Optionen	<ul style="list-style-type: none"> <li>■ Krafteinleitungsteile</li> <li>■ Integrierter Messverstärker</li> <li>■ Erweiterte Temperaturbereiche</li> <li>■ Andere Gewindegrößen</li> <li>■ Anderer Brückenwiderstand</li> <li>■ Anschluss- / Steckerschutz</li> <li>■ Innen- / Außengewinde</li> </ul>	

ADPR1X914124.02 06/2021 EN/DE

## Abmessungen in mm

DE





Nennkraft in kN	Abmessungen in mm			
	Gewinde A	B	T1	Ø O.D.
10, 20	M16 x 2	66,0	24,1	38,1
30, 40, 50	M20 x 1,5	66,0	24,1	44,4
75	M24 x 2	66,0	31,8	44,4
100	M30 x 2	77,5	38,1	63,5
200	M45 x 3	77,5	38,1	63,5
300	M56 x 4	77,5	76,2	88,9
500	M56 x 4	77,5	76,2	88,9
1.000	M100 x 3	139,7	101,6	114,3
1.500	M100 x 3	139,7	114,3	127,0
2.000, 2.200	M120 x 4	146,1	127,0	139,7
3.000, 3.300	M150 x 4	139,7	171,5	168,4

ADPR1X914124.02 06/2021 EN/DE



### 9.1 Zulassungen

Logo	Beschreibung	Land
	<b>EU-Konformitätserklärung</b> <ul style="list-style-type: none"><li>■ EMV-Richtlinie</li><li>■ RoHS-Richtlinie</li></ul>	Europäische Union
	<b>EAC</b> <ul style="list-style-type: none"><li>■ EMV-Richtlinie</li></ul>	Eurasische Wirtschaftsgemeinschaft

**DE**

## 10. Zubehör

WIKA-Zubehör finden Sie online unter [www.wika.de](http://www.wika.de).



A division of the WIKAI Group

## EU-Konformitätserklärung EU Declaration of Conformity

**Dokument Nr.:** ADEUKX300012.01  
**Document No.:**

Wir erklären in alleiniger Verantwortung, dass die mit CE gekennzeichneten Produkte  
*We declare under our sole responsibility that the CE marked products*

**Typenbezeichnung:** F2220\*, F2221\*, F2226\*  
**Type Designation:**

**Beschreibung:** Zug-/Druckaufnehmer mit Außengewinde  
**Description:** Tension/compression force transducer with external thread

gemäß gültigem Datenblatt:  
*according to the valid data sheet:* FO 51.16, FO 51.26, FO 51.51

die wesentlichen Schutzanforderungen der folgenden Richtlinien erfüllen: Harmonisierte Normen:  
*comply with the essential protection requirements of the directives: Harmonized standards:*

2011/65/EU Gefährliche Stoffe (RoHS)  
*Hazardous substances (RoHS)*

EN 50581:2012

\* gültig für passive Kraftaufnehmer, nicht für ggf. angeschlossene externe Verstärker  
*\* valid for passive force transducers, not for possibly connected external amplifiers*

Unterszeichnet für und im Namen von / Signed for and on behalf of

**tecsis GmbH**

Offenbach, 2020-12-17

  
Stefan Richter, Managing Director

  
Michael Kirsch, Quality Manager

tecsis GmbH  
Carl-Legien-Str. 40 - 44  
63073 Offenbach am Main

Tel. +49 69 5806-0  
Fax +49 69 5806-7788  
E-Mail info@tecsis.de

Sitz Offenbach - Offenbach am Main  
Registernummer: HR B 40169  
Geschäftsführer: Stefan Richter u. Thomas Steinbacher