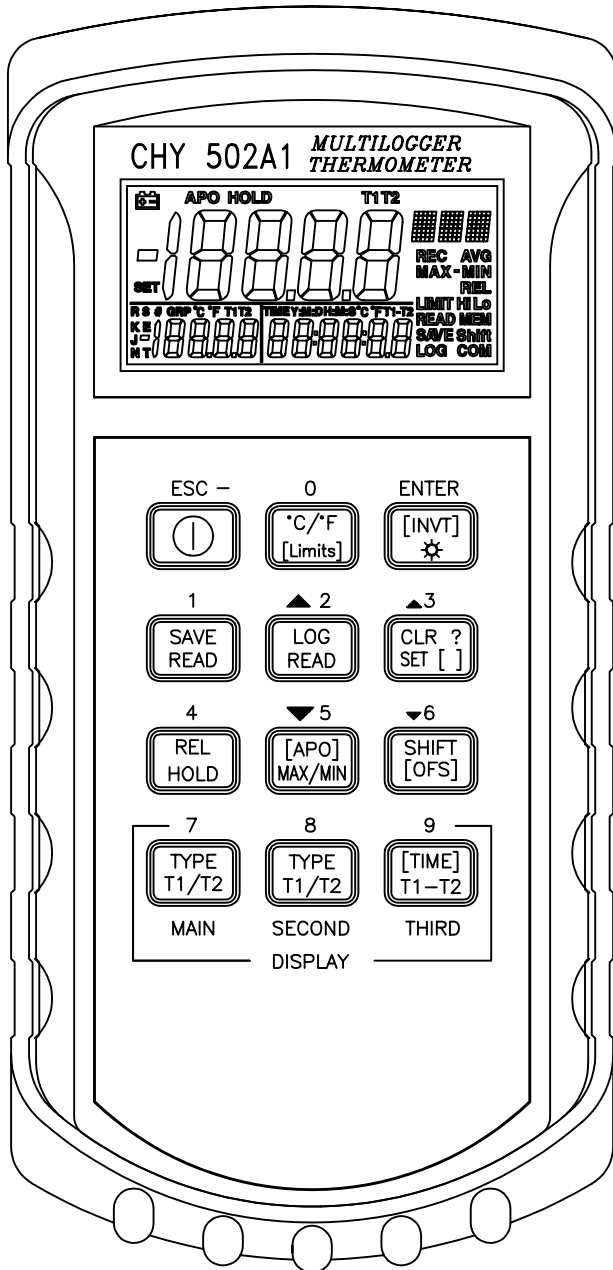
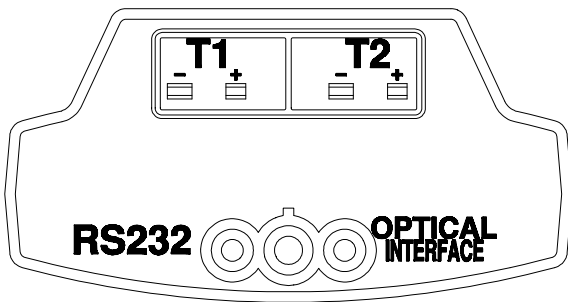


MULTITYPE THERMOMETER AND DATALOGGER (K/J/T/E/R/S/N TYPES) MODEL: 502A1



FEATURES:

Basic accuracy: 0.05%.

2 Channel Temperature Measuring:
T1, T2 for various thermocouples.

Triply display with set-able backlight:

MAIN for T1, T2.

With MAX, MIN, AVG, REL, HOLD function.

Warning beeper with Hi/Lo setting.

SECOND for T1, T2.

THIRD for T1-T2, TIME (with real time clock and calendar).

Data logger capacity:

Save data: 128 samples with real-time data.

Data logger: 16 sets, Maximum 1024 data capacity.

RS-232 interface with Windows software.

Easy Reads Data with down and up key on meter.

T/C Offset Adjust.

Resolution 0.1°C/1°C, 0.1°F/1°F.

TIME, Record interval, APO time setting.

Selectable Auto Power Off function.

CE-Mark Approval.

SPECIFICATIONS OF CHANNEL T1&T2

Thermocouple	Range
K-TYPE(0.1°, 1° for above 2000°F)	-200°C to 1372°C, -328°F to 2501°F
J-TYPE(0.1°, 1° for above 2000°F)	-210°C to 1200°C, -346°F to 2192°F
T-TYPE(0.1°)	-200°C to 400°C, -328°F to 752°F
E-TYPE(0.1°)	-210°C to 1000°C, -346°F to 1832°F
R-TYPE(1°)	0°C to 1767°C, 32°F to 3212°F
S-TYPE(1°)	0°C to 1767°C, 32°F to 3212°F
N-TYPE(0.1°, 1° for above 2000°F)	-50°C to 1300°C, -58°F to 2372°F

According to temperature standard ITS-90.

Accuracy:

K/J/T/E-TYPE

±(0.05% rdg + 0.3°C) on -50°C to 1370°C

±(0.05% rdg + 0.7°C) on -50°C to -210°C

±(0.05% rdg + 0.6°F) on -58°F to 2501°F

±(0.05% rdg + 1.4°F) on -58°F to -346°F

N-TYPE

±(0.05% rdg + 0.8°C) on -50°C to 0°C

±(0.05% rdg + 0.4°C) on 0°C to 1300°C

±(0.05% rdg + 1.6°F) on -58°F to 32°F

±(0.05% rdg + 0.8°F) on 32°F to 2372°F

R/S-TYPE

±(0.05% rdg + 2°C) on 0°C to 1767°C

±(0.05% rdg + 4°F) on 32°F to 3212°F

CHY FIREMATE CO., LTD.

NO.3, SHENGLI 1ST ST., XINTIAN VILLAGE,
RENDE DISTRICT, TAINAN CITY, TAIWAN R.O.C.

TEL: 886-6-2794811 FAX: 886-6-2700227

E-mail: chy@chy-meter.com