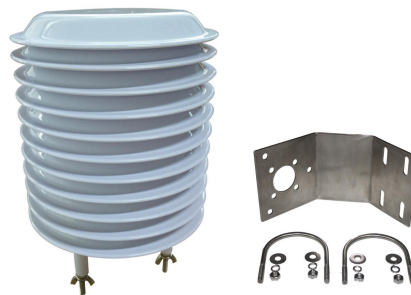


The Multi-Plate Radiation Shield protects temperature,relative humidity or barometric pressure sensors from error-producing solar radiation and precipitation. This shield relies on a combination of plate geometry, material and natural ventilation to provide effective shielding. The radiation shield reflect sunlight from any direction, prevent sun direct radiation and reflection on the ground to the sensor radiation, to protect the instrument from the effects of strong winds, rain, snow, etc.Freely through the air, making instrument work in ventilated environment, to ensure the accuracy of measured data.Products with high reflectivity and low thermal conductivity, resistance to ultraviolet ray function, can be used in extreme weather conditions.The product with breathing fan, make sure the screen inside and outside environment difference is minimal.

INSTALLATION TIPS

- Good air circulation around shield
- Away from large masses (asphalt, masts, solar panels) especially metal items
- Away from exhaust vents,electrical machinery and motors
- Away from standing water, water fountains and sprinklers



SPECIFICATIONS

Item	Specifications
Number of plates	7-20 plates optional,typ.:11,14,19
Color	White
Material	Anti-radiation engineering plastics & Stainless steel screw
Supply of fan	7-13.8VDC(typ.12VDC)
Rated power	1W
Operating temperature	-40℃-+75℃
Dimension	Inner diameter:62mm,Outer diameter:140mm/180mm Height:180mm(11 plates),220mm(14 plates),280mm(19 plates)
Optional accessories	Metal bracket(304SS),Embrace hoop screw(inner diameter:60mm,304SS)



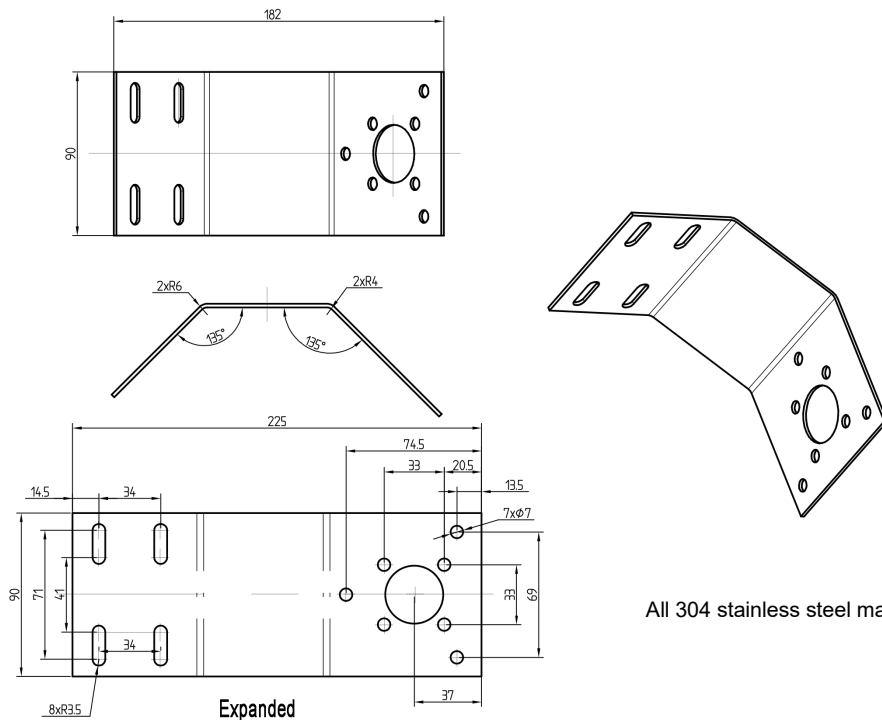
DIMENSION



Plates	Inner space(mm)	D1(mm)	H1(mm)	H2(mm)
7	ø62*50	140	89	approx.63
8	ø62*63	140	101	approx.63
9	ø62*75	140	114	approx.63
10	ø62*88	140	126	approx.63
11	ø62*100	140	139	approx.63
12	ø62*113	140	151	approx.63
13	ø62*125	140	164	approx.63
14	ø62*138	140	176	approx.63
15	ø62*150	140	189	approx.63
16	ø62*163	140	201	approx.63
17	ø62*175	140	214	approx.63
18	ø62*198	140	226	approx.63
19	ø62*200	140	239	approx.63
20	ø62*213	140	251	approx.63

BRACKET DIMENSION

Unit:mm



All 304 stainless steel material

ADAPTER WATERPROOF GLANDS



PG Glands	
Model	Cable/Sensor Diameter(mm)
PG7	3-6.5
PG9	4-8
PG11	5-10
PG13.5	6-12
PG16	10-13
PG19	12-15
PG21	13-18
PG25	16-21
PG29	18-25
PG36	22-32

NOTE: The default matching PG7, if you need other models, please confirm with us before order.

WATERPROOF GLANDS SPECIFICATIONS

PG cable glands



Item	D(mm)±0.1	B(mm)±0.1	D2(mm)±0.1	L(mm)±0.1	L1(mm)±0.1	L2(mm)±0.1
PG 7	12.4	17.6	19.5	30.3	8	4.6
PG 9	15.2	21.9	23.7	32.6	8	4.6
PG 11	18.2	23.73	26.1	34.4	8	5
PG 13.5	20	26.8	29.4	36.4	9	5
PG 16	22.2	28.8	31.9	37.5	10	5.3
PG19	23.9	28.9	31.9	40	10	5.3
PG 21	28.2	35.7	38.9	44.6	10	5.6

PARAMETER SELECTION TABLE

Remark	Series	Type	Outer diameter	Plates	Bracket	Base shape	
RK							
	95						
		08					
			A				140mm (typ.)
			B				180mm
				P*			Number of plates

					A		With mounting bracket
					B		Without mounting bracket
						G	Glands(default)
						C	Movable connector

Example: RK95-08AP11BG/PG7 Outer diameter:140mm, 11 plates, Without mounting bracket, Glands:PG7



Complies with applicable CE directives.

Specifications subject to change without notice. Version 3.0

Copyright © 2015 Hunan Rika Electronic Technology Co.,Ltd

Hunan Rika Electronic Technology Co., Ltd

Add:No 499# of Yingxin Road,
Yuhua District,Changsha,
Hunan,China



+86-731-85132979



info@rikasensor.com



www.rikasensor.com.cn