

RKL-02 Radar Liquid Level Transmitter antenna emitter narrow microwave pulse, the pulse in the space at the speed of light transmission, met on the surface of measured medium, some of its energy is reflected back, by the same antenna. Firing pulse and receives the pulse interval and the antenna to the surface of the measured medium is proportional to the distance, to calculate the distance on the surface of the antenna to the measured medium.

FEATURES

- Small beam Angle, the energy concentration, strong anti-interference, high accuracy and reliability
- Range of up to 70 meters, covering large reservoir and other water level measurement
- Good stability
- Multiple output signal is optional
- Transmitted power is extremely low, no harm to human body and environment
- False Echo Filtering
- Easy Installation



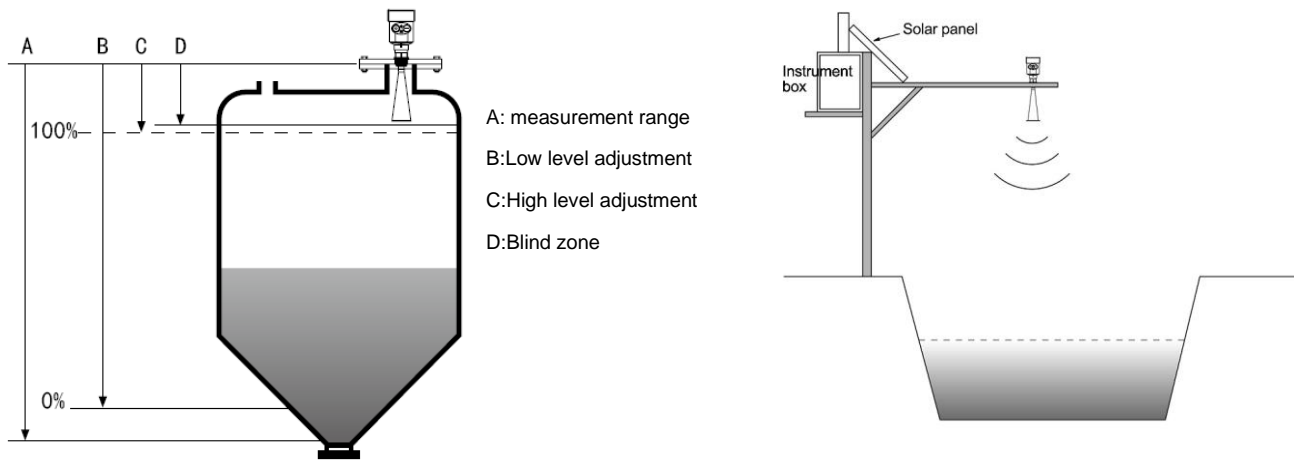
APPLICATIONS

- River water level measurement
- Lake water level measurement
- Shallow water level measurement
- Hydrographic survey
- Environmental protection

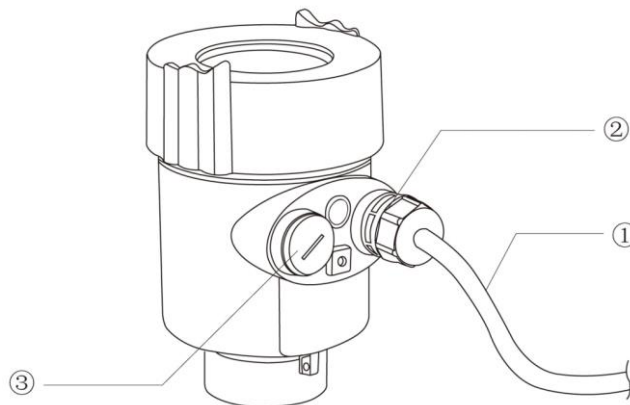
SPECIFICATIONS

Item	Technical specifications
Range	10m,30m,50m,70m
Output	4-20mA(2-wires), RS485(MODBUS-RTU)
Supply Voltage	12VDC,24VDC,220VAC
Process connection	G1_1/2,support flange
Working frequency	Range <30m: 6.8GHz , Range >30m/<70m: 26GHz
Accuracy	±3mm
Display	128*64LCD display resolution:1mm
Relay alarm	250VAC/30VDC@5A Optional
Ingress Protection	IP67
Medium temperature	-40~+150°C
Medium pressure	-100~100kPa
Operating Temperature	-40°C~ +85°C
Housing material	Aluminum alloy
Antenna material	304ss
Shock	10m/s ² @10~150Hz
Storage Condition	10°C-50°C@20%-90%RH

MOUNTING



Radar antenna launch microwave has a certain Angle, from the edge of the antenna to the surface between the measured medium, and launch a microwave beam radiation areas shall not be an obstacle.

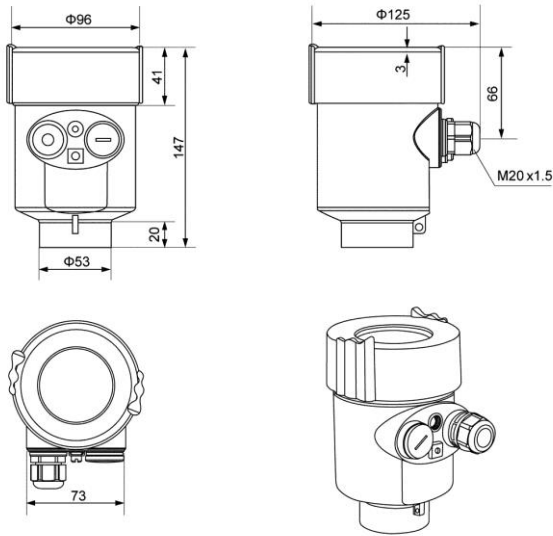


In order to ensure that products meet the requirements of IP67 rating, please make sure:

- The sealing head intact;
- The cable is not damaged;
- Ensure that the cable used in line with the requirements of electrical connection in the specification;
- Before entering the electrical interface, the cable bending down, to ensure that water will not flow into the shell, as shown ①;
- Please tighten the cable seal head, see ②;
- Please return the unused electrical interfaces to blind plugging plugging tight, see ③.

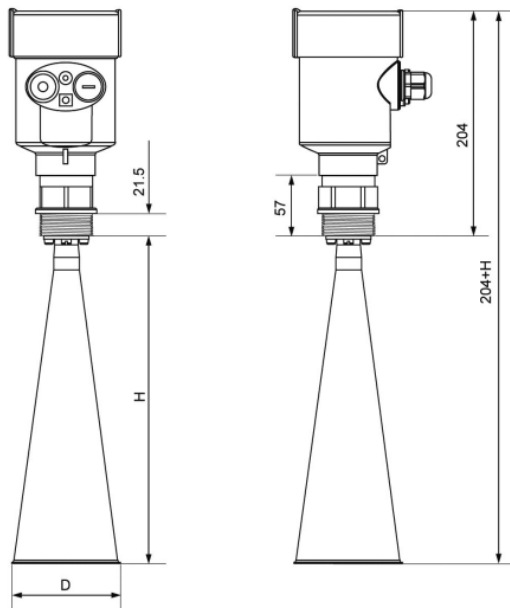
DIMENSION

Unit:mm

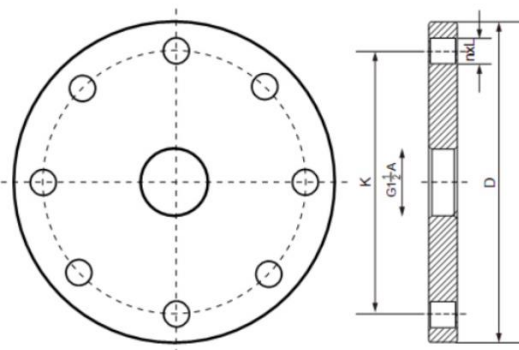


Housing dimension

D: Range <30m: Φ120mm
 Range >30m/<70m: Φ96mm
 H: 288mm
 Flange(optional): DN100



Flange	D	K	n	L
DN100	220	180	8	18



Flange dimension

PARAMETER SELECTION TABLE

Remark	Series	Range	Output	Process connection	
RKL					
	02				
		A			10m
		B			30m
		C			50m
		D			70m
		X			Other
			A		4-20mA(AC220V)
			B		4-20mA(DC24V)
			C		RS485 (DC12V)
			D		RS485 (AC220V)
			X		Other
				G	G1_1/2
				F	Flange DN100
				X	Other
				

Example: RKL-02BBG Range:30m, Supply:DC24V,Output:4-20mA, Process connection: G1_1/2



Complies with applicable CE directives.
 Specifications subject to change without notice. Version 3.1
 Copyright © 2015 Hunan Rika Electronic Tech Co.,Ltd

Hunan Rika Electronic Tech Co., Ltd

Add: 10th Bd, International Enterprise Center,
 No.268 Xinxing Rd, Yuhua Dist,Changsha,
 410116 Hunan, China.



+86-731-85132979



info@rikasensor.com



www.rikasensor.com