

8inch GPS/WAAS COLOR PLOTTER NAVIS 800/800F

- ◆ Designed in complete seal type
- ◆ Using SAMYUNG's updated digital electronic chart
- ◆ User friendly arranged front keyboard while working
- ◆ Dual frequency color fish finder.
- ◆ C-MAP NT+ Chart available (Option)
- ◆ Using user memory card

NEW



GPS/WAAS COLOR PLOTTER

NAVIS 800/800F

FEATURES

- Adoption of 8" TFT LCD color display enables better resolution.
- WGS-84 geodetic system automatically enables all the geodetic lines to automatically convert.
- Smooth conversion to other displays prevents the map from disappearing while ZOOM IN/OUT.
- 2(two) slots for C-Map NT cartridges are available for ocean going vessels.
- Smooth control of course-up, head-up, north-up, real motion function.
- Application of convenient common wire/wireless remote controller. (OPTION)

- Simultaneously adjustable LCD back light for night navigation.
- Latest electronic chart with wide range of updated technology offering a variety of information such as slime, rock, depth, trench, EEZ line, underwater cable line and the like.
- Highly efficient for fishing work by marking fishing zones.
- Combination with SAMYUNG autopilot system offers perfect autopiloting.
- Straight pursuit and ZOOM IN/OUT enabling users to make exact calculation of fish group at the sea bottom (NAVIS 800F)
- Use of 2(two) frequencies in common offering better judgment on minute fish groups. (NAVIS 800F)

SPECIFICATION

■ GPS RECEIVER

- Receiving frequency : L1 1575.42 MHz(C/A CODE)
- Receiving channel & tracking satellite : 18 channel & 18 satellite
- Receiving type : Digital 18 channel multi tracking type
- Receiving sensitivity : -130dBm

■ DGPS BEACON RECEIVER

- Receiving frequency : 283.5~325.0KHz
- Modulation : MSK(minimum shift keying)
- Bitrate : 50,100,200 bps

■ STANDARD (PLOTTER / NAVIS 800)

- Display : color VGA TFT LCD (8")
- Resolution : 640×480 pixels 256 color
- Projection : Mercator drawing
- Effective range : below 85° of latitude
- Scale 0.2 mile ~ 5,000 mile(1/2000~1/37,500,000)
- Tracking memory interval : 1sec~60minute(0.01~9.99NM) set-up
- Tracking capacity : 20,000 points , work log book (99 pages)
- Event mark : 21 kinds
 - Mark capacity : 10,000 points
 - capacity for user's drawing of shoreline : 8,000points
 - 16 land coloring
 - capacity for user's marking of shoreline : 1,000points
 - capacity for user's character of shoreline : 1,000points
 - capacity for tracking marking : 1,000points
 - capacity for memory of destination : 1,000points
 - capacity for memory of route : 20 routes (20 points/1 route)
- Display mode : normal, true-motion, course-up, north-up, head-up function
- Alarm : 1)arriving alarm 2)off-course alarm 3)anchor alarm 4)boundary alarm

■ STANDARD (FISHFINDER / NAVIS 800F)

- Operating frequency : 50/200KHz dual frequency, 600W
- Display color : 16colors
- Range of depth : 5~1,500M(depth of water,automatic output power control)
- Range of bottom(enlargement of tracing) : 10, 20, 40, 80M
(enlargement of flattened bottom) : 2.5, 5, 10, 20, 40, 80M
(partial enlargement) : 5, 10, 20, 40, 80M
- Screen shift speed : Stop, low speed, medium speed, fast speed, super fast speed.
- Information : depth ,schools of fish, water temperature
- Display of function : Sensitivity, attenuation, transmitting output, time marking, depth, variable scales, color patterns

■ GENERAL

- Interface : SAMYUNG, NMEA0183, FURUNO(CIF), JRC
- Power supply : DC 12V~36V, Power Consumption : 40W

COMPONENT

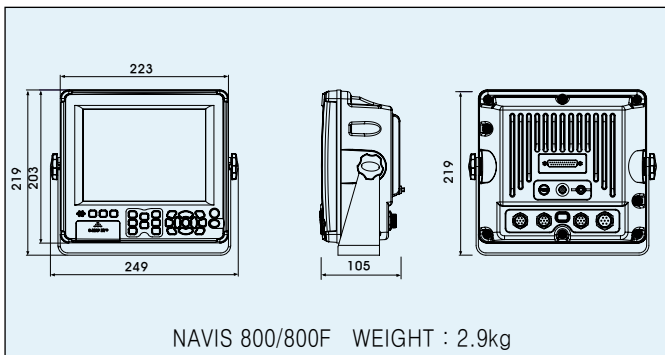
■ STANDARD

- (D)GPS LCD plotter 1SET
- GPS antenna 1SET
- Transducer for (NAVIS 800F) 1SET
- Installation materials, spare parts, manual 1LOT

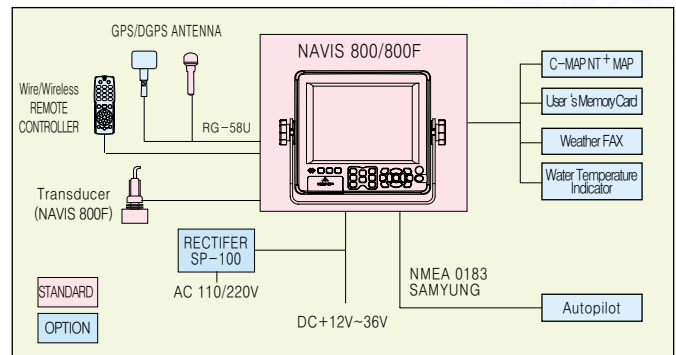
■ OPTION

- C-MAP NT+ MAP · Weather FAX · User's Memory Card · Rectifier
- DGPS antenna · Water Temperature Indicator · Wire/Wireless Remote controller

DEMENSIONS



CONFIGURATION



* Specification is subject to change without pre-notice



SAMYUNG ENC Co.,Ltd.

Head Office : 1123-17, Dongsam-Dong, Youngdo-Gu, Busan, Korea, 606-083

Tel : 82-51-601-5530(Rep.) Fax : 82-51-413-4446

A/S Center : 65-20, 2-Ga Namhang-Dong, Yungdo-Gu, Busan, Korea, 606-032

Tel : 82-51-601-5570~4(Rep.) Fax : 82-51-416-5515

Http : //www.samyungenc.com



ISO 9001:2000 / KS A 9001:2001
Certificate No. : RQM0645

