

Precision hand-held pressure indicator model CPH6400 GB

Präzisions-Hand-Held Druckmessgerät Typ CPH6400 D



Model CPH6400 precision hand-held pressure indicator with model CPT6400 reference pressure sensor and optional temperature sensor

GB	Operating instructions model CPH6400	Page	3 - 40
-----------	---	-------------	---------------

D	Betriebsanleitung Typ CPH6400	Seite	41 - 77
----------	--------------------------------------	--------------	----------------

© 2008 WIKA Alexander Wiegand SE & Co. KG
All rights reserved. / Alle Rechte vorbehalten.
WIKA® is a registered trademark in various countries.
WIKA® ist eine geschützte Marke in verschiedenen Ländern.

Prior to starting any work, read the operating instructions!
Keep for later use!

Vor Beginn aller Arbeiten Betriebsanleitung lesen!
Zum späteren Gebrauch aufbewahren!

Contents

1.	General information	4
2.	Safety	5
2.1	Intended use	5
2.2	Personnel qualification	6
2.3	Special hazards	7
2.4	Use of Lithium-Ion rechargeable batteries	8
2.5	Labelling / Safety marks	11
3.	Specifications	12
4.	Design and function	14
4.1	Short description / Description	14
4.2	Scope of delivery	14
4.3	Electrical connections to the CPH6400 digital indicator	15
4.4	CPT6400 reference pressure sensor	15
4.5	Power supply	17
4.6	Explanation of display and keypad	19
5.	Transport, packaging and storage	21
6.	Commissioning, operation	22
6.1	Requirements for test assemblies with the CPH6400	22
6.2	Instrument features	22
6.3	Explanation of the Display	23
6.4	Measuring modes	24
6.5	Pressure units	27
6.6	Measurement signal processing	27
6.7	TARE function	28
6.8	The function key, "FUNC"	28
7.	Maintenance, cleaning and recalibration	33
8.	Faults	34
9.	Dismounting, return and disposal	35
10.	Accessories	37
	Appendix 1: EC declaration of conformity for model CPH6400	38
	Appendix 2: EC declaration of conformity for model CPT6400	39

Declarations of conformity can be found online at www.wika.com.

1. General information

GB

- The precision hand-held pressure indicator described in the operating instructions has been manufactured using state-of-the-art technology.
All components are subject to stringent quality and environmental criteria during production. Our management systems are certified to ISO 9001 and ISO 14001.
- These operating instructions contain important information on handling the precision hand-held pressure indicator. Working safely requires that all safety instructions and work instructions are observed.
- Observe the relevant local accident prevention regulations and general safety regulations for the precision hand-held pressure indicator's range of use.
- The operating instructions are part of the product and must be kept in the immediate vicinity of the precision hand-held pressure indicator and readily accessible to skilled personnel at any time.
- Skilled personnel must have carefully read and understood the operating instructions, prior to beginning any work.
- The manufacturer's liability is void in the case of any damage caused by using the product contrary to its intended use, non-compliance with these operating instructions, assignment of insufficiently qualified skilled personnel or unauthorised modifications to the precision hand-held pressure indicator.
- The general terms and conditions contained in the sales documentation shall apply.
- Subject to technical modifications.
- Factory calibrations/DKD/DAkkS calibrations are carried out in accordance with international standards.
- Further information:
 - Internet address: www.wika.de / www.wika.com
 - Relevant data sheet: CT 14.01
 - Application consultant: Tel.: (+49) 9372/132-9986
Fax: (+49) 9372/132-8767
E-mail: testequip@wika.de

Explanation of symbols



WARNING!

... indicates a potentially dangerous situation that can result in serious injury or death, if not avoided.



CAUTION!

... indicates a potentially dangerous situation that can result in light injuries or damage to equipment or the environment, if not avoided.



Information

... points out useful tips, recommendations and information for efficient and trouble-free operation.



DANGER!

...identifies hazards caused by electric power. Should the safety instructions not be observed, there is a risk of serious or fatal injury.

2. Safety



WARNING!

Before installation, commissioning and operation, ensure that the correct reference pressure sensor has been selected for the precision hand-held pressure indicator in terms of measuring range, design and specific measuring conditions. Non-observance can result in serious injury and/ or damage to the equipment.



Further important safety instructions can be found in the individual chapters of these operating instructions.

2.1 Intended use

The model CPH6400 precision hand-held pressure indicator combines the benefits of a compact hand-held instrument with the precision of a laboratory calibration instrument. Thus everyday tasks in the field, such as measuring, testing or calibration of pressure measuring instruments, become particularly easy.

The precision hand-held pressure indicator has been designed and built solely for the intended use described here, and may only be used accordingly.

GB

The technical specifications contained in these operating instructions must be observed. Should the precision hand-held pressure indicator be improperly handled or operated outside of its technical specifications, it has to be taken out of service immediately and inspected by an authorised WIKA service engineer.

Handle electronic precision measuring instruments with the required care (protect from humidity, impacts, strong magnetic fields, static electricity and extreme temperatures, do not insert any objects into the instrument or its openings). Plugs and sockets must be protected from contamination.

If the precision hand-held pressure indicator is transported from a cold into a warm environment, the formation of condensation may result in the instrument malfunctioning. Before putting it back into operation, wait for the instrument temperature and the room temperature to equalise.

The manufacturer shall not be liable for claims of any type based on operation contrary to the intended use.

2.2 Personnel qualification



WARNING!

Risk of injury should qualification be insufficient!

Improper handling can result in considerable injury and damage to equipment.

The activities described in these operating instructions may only be carried out by skilled personnel who have the qualifications described below.

Skilled personnel

Skilled personnel are understood to be personnel who, based on their technical training, knowledge of measurement and control technology and on their experience and knowledge of country-specific regulations, current standards and directives, are capable of carrying out the work described and independently recognising potential hazards.

Special operating conditions require further appropriate knowledge, e.g. of aggressive media.

2.3 Special hazards



WARNING!

- Pressure sensors should only be fitted or removed when the system is free from pressure.
- Observe the working conditions in accordance with chapter "3. Specifications".
- Always operate the pressure indicator within its overload limits.
- Residual media in dismantled precision hand-held pressure indicators and/or their sensors, can result in a risk to persons, the environment and the equipment.
Take sufficient precautionary measures.
- Do not use this precision hand-held pressure indicator in safety or Emergency Stop devices. Incorrect use of the precision hand-held pressure indicator can result in injury.
- Should a failure occur, aggressive media with extremely high temperature and under high pressure or vacuum may be present at the precision hand-held pressure indicator and the sensors.
- Plan the wiring especially carefully when connecting to other devices. Under certain circumstances, internal connections in third-party devices (e.g. GND connected to the ground) can lead to impermissible voltages that could compromise or even destroy the function of the device itself or a device connected to it.
- To ensure problem-free operation, only operate the precision hand-held pressure indicator on battery power. Only use the mains lead for charging the batteries of the precision hand-held pressure indicator.
- Only use the sensor cable available from WIKA for the precision hand-held pressure indicator. Do not connect any cable over 3 m long to the CPH6400.
- The measurement signal of the reference (or test sample) can be influenced by large electromagnetic effects and the display of the signal may be lost completely.
- The display screen is made from glass. If there is any possibility of the screen breaking during operation, all personnel in the vicinity of the instrument must wear eye protection before and during its use.
- If the CPT6400 reference pressure sensor is used in applications with oil as a pressure medium, make sure it is not be used with flammable material or gases directly afterwards, since this can lead to dangerous explosions and a risk to personnel and machinery.



DANGER!

Danger of death caused by electric current

Upon contact with live parts, there is a direct danger of death.

- Recharging using a defective power supply unit (e.g. short circuit between the mains voltage and the output voltage) can result in life-threatening voltages at the precision hand-held pressure indicator!
- Only use the mains connector permitted by WIKA for the precision hand-held pressure indicator.
- Never use a damaged or worn-looking battery charger.

The safety of the operator may be endangered if, for example:

- there is visible damage to the instrument.
- the instrument is not working as specified.
- the instrument has been stored under unsuitable conditions for an extended period of time.

If there is any doubt, please return the instrument to the manufacturer for repair or maintenance.

2.4 Use of Lithium-Ion rechargeable batteries



WARNING!

Misusing Lithium-Ion batteries can lead to heating, explosion or ignition and result in serious injury. Follow the safety instructions listed below:

- Do not solder directly to the Lithium-Ion batteries.
- Do not incinerate or heat the Lithium-Ion batteries.
- The Lithium-Ion batteries must only ever be connected with the correct polarity.
- Never connect the positive terminal and the negative terminal of the Lithium-Ion batteries to each other with any metallic object (such as wire).
- Never carry or store the Lithium-Ion batteries together with necklaces, hairpins, or other metallic objects.



WARNING!

- Lithium-Ion batteries should never be punctured with nails nor hit with a hammer. In addition, Lithium-Ion batteries must never be trodden on or exposed to other strong shocks or vibrations.
- Lithium-Ion batteries must never come into contact with water or salt water. Moreover, they must never get wet.

**WARNING!**

Never take the Lithium-Ion battery apart nor alter it in any way. It contains safety and protection devices which, if damaged, may cause it to generate heat, explode or ignite.

**WARNING!**

Never place the Lithium-Ion batteries close to fires, ovens or other high temperature locations. Never leave the Lithium-Ion batteries in direct sunshine or use or store them inside cars in hot weather. Doing so may cause the Lithium-Ion batteries to generate heat, explode or ignite. Using the Lithium-Ion batteries in this manner may also result in a loss of performance and a shortened service life.

Never fit the Lithium-Ion batteries into equipment designed to be hermetically sealed. In some cases hydrogen or oxygen may be discharged from the cell, and thus damage the Lithium-Ion batteries, and lead to fire or explosion

**WARNING!**

The Lithium-Ion batteries must, without fail, no longer be used if, during operation, charging or storing they give off an unusual smell, feel hot, change colour, change shape, or appear abnormal in any other way. Contact your reseller if any of these problems are observed.

Never put the Lithium-Ion batteries in microwave ovens, high-pressure containers nor on induction cookers.

Should the Lithium-Ion batteries ever leak and the fluid come into contact with the eyes, do not under any circumstances rub the eyes. Rinse the eyes thoroughly with water and seek immediate medical attention. If the eyes are left untreated, damage to the eyes could occur.

**CAUTION!**

When the Lithium-Ion batteries wear out, insulate the terminals with adhesive tape or similar materials before disposal.



WARNING!

Follow the instructions listed below for charging the Lithium-Ion batteries. Failure to do so may cause the Lithium-Ion batteries to become hot, explode or ignite and result in serious injury.

- To charge the Lithium-Ion batteries, only ever use the specified WIKA battery charger.
- Never connect the Lithium-Ion batteries directly to a mains plug or to a car's cigarette lighter.
- Never leave the Lithium-Ion batteries in or near fire, nor in direct sunlight. If the Lithium-Ion batteries become hot, the built-in safety device is activated and overcharging prevented. Heating the Lithium-Ion batteries can damage the safety device and can thus lead them to heat up further, to cease to work or to ignite.



WARNING!

Never continue to charge the Lithium-Ion batteries if they do not fully recharge within the specified time. Doing so may cause the Lithium-Ion batteries to become hot, explode or ignite.

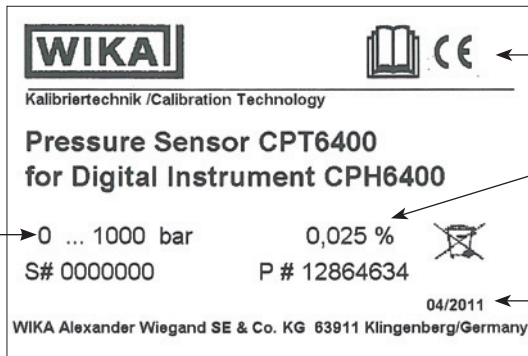
2.5 Labelling / Safety marks

2.5.1 Product label



For an explanation of symbols, see below.

Date of manufacture



For an explanation of symbols, see below.

Accuracy

Pressure range

Date of manufacture

2.5.2 Explanation of symbols



Before mounting and commissioning the instrument, ensure you read the operating instructions!



CE, Communauté Européenne

Instruments bearing this mark comply with the relevant European directives.



This marking on the instruments indicates that they must not be disposed of in domestic waste. The disposal is carried out by return to the manufacturer or by the corresponding municipal authorities. See directive 2002/96/EC.

3. Specifications

3. Specifications

Specifications		Precision hand-held pressure indicator model CPH6400 (complete measuring chain)									
Sensor technology		1 reference pressure sensor (interchangeable without tools) ¹⁾									
Measuring range	bar	0.4	1.6	6	16	40	100	250	600	1000	
Overpressure safety	bar	2	10	35	80	80	200	500	1200	1500	
Burst pressure	bar	2.4	12	42	96	400	800	1200	2400	3000	
Accuracy of the measuring chain		0.025 % FS ²⁾									
Measuring range	bar	1600	2500	4000	5000	6000					
Overpressure safety	bar	2300	3500	5000	6000	7000					
Burst pressure	bar	4000	6000	8000	10000	11000					
Accuracy of the measuring chain		0.1 % FS ²⁾									
Type of pressure		{In addition to the above-specified pressures; vacuum, bi-directional ranges and absolute pressures are available}									
Pressure units		bar, mbar, kPa, psi, mmHg, inHg and kg/cm ² (depending on the measuring range, selectable)									
Active temperature compensation	°C	10 ... 40									
Temperature measurement		only for 2-channel version									
■ Sensor type		Pt100, 4-wire									
■ Measuring range	°C	-10 ... +50									
■ Resolution	°C	0.01									
■ Accuracy	°C	0.05									
Permissible ambient temperature	°C	0 ... 50									
Calibration ²⁾		Factory calibration certificate (optional: DKD/DAkkS calibration certificate)									

Specifications		Reference pressure sensor model CPT6400									
Pressure connection		≤ 1000 bar: G ½ B; {various connection adapters on request} > 1000 bar: M16 x 1.5 female, with sealing cone									
Material		Stainless steel for wetted parts (for measuring ranges > 25 bar ... ≤ 1000 bar additional Elgiloy®) Synthetic oil (only for measuring ranges up to 25 bar)									
Internal transmission fluid											
Permissible temperature ranges											
■ Medium	°C	-20 ... +80									
■ Storage	°C	-40 ... +85									
Case		Stainless steel									
Electrical connection		Circular connector, 8-pin									
Ingress protection		IP 65 (with cable connected)									
Weight	g	approx. 220									
CE conformity											
■ Pressure equipment directive		97/23/EC, PS > 200 bar; module A, pressure accessory									
■ EMC directive		2004/108/EC, EN 61326 Emission (Group 1, Class B) and Immunity (industrial locations)									

1) Calibration data sets for up to 10 transmitters can be stored in each instrument (up to 10 calibration data sets)

2) Calibrated at 23 °C and in vertical mounting position with pressure connection facing downwards.

{ } Items in curved brackets are optional extras for an additional price.

3. Specifications

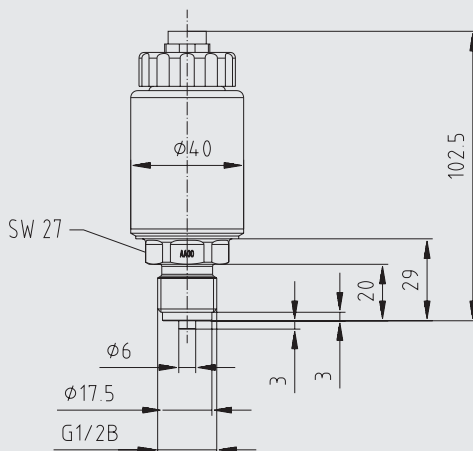
Specifications		Digital indicator model CPH6400
Display		Large graphic display, with backlighting (On/Off selectable)
Display resolution		up to 6 digits; selectable
Measuring rate (pressure)		5 values/sec
Functions		Min, Max memory, pressure rate, tare, offset-correction for gauge pressure ranges, data logger function
Data logger		- Cyclic data logger: automatic recording of up to 1000 values (500 pressure values and 500 temperature values) - Cycle time: adjustable from 1 ... 3600 seconds
Interface		USB
Permissible		
■ Relative humidity	% r. H.	0 ... 85 (non-condensing; at 50 °C)
■ Storage temperature	°C	-20 ... +60
Power supply		
■ Current supply		Internal Lithium-Ion rechargeable battery (charging time: < 6 h)
■ Battery operation	h	approx. 25
Case		Polyamide 12, membrane keyboard, transparent panels
Ingress protection		IP 65
Weight	g	approx. 480
CE conformity		
■ EMC directive		2004/108/EC, EN 61326 Emission (Group 1, Class B) and Immunity (portable measurement equipment)

GB

For further specifications see WIKA data sheet CT 14.01 and the order documentation.

Dimensions in mm

Reference pressure sensor CPT6400

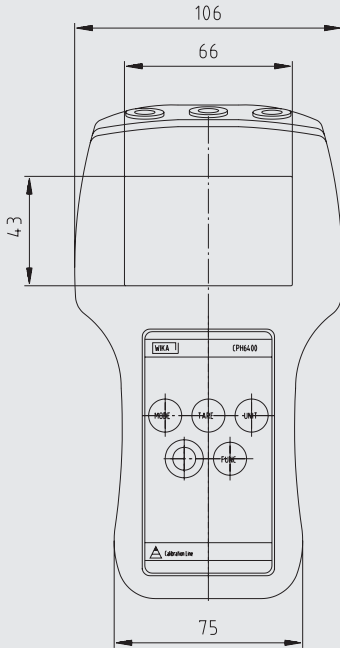


Dimensions in mm

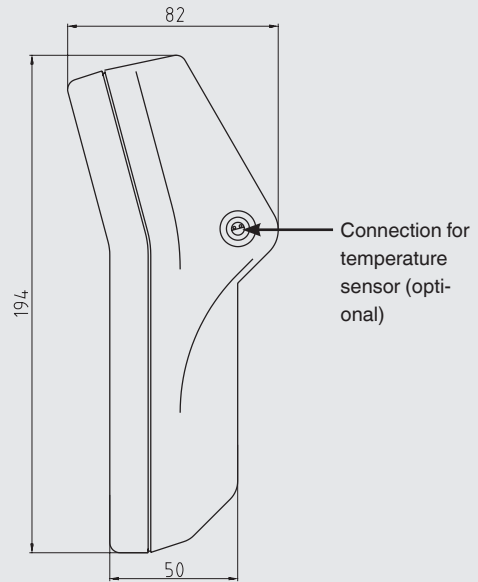
GB

Digital indicator CPH6400

Front view



Side view



4. Design and function

4.1 Short description / Description

The model CPH6400 precision hand-held pressure indicator combines the benefits of a compact hand-held instrument with the precision of a laboratory calibration instrument. Thus everyday tasks in the field, such as measuring, testing or calibration of pressure measuring instruments, become particularly easy.

4.2 Scope of delivery

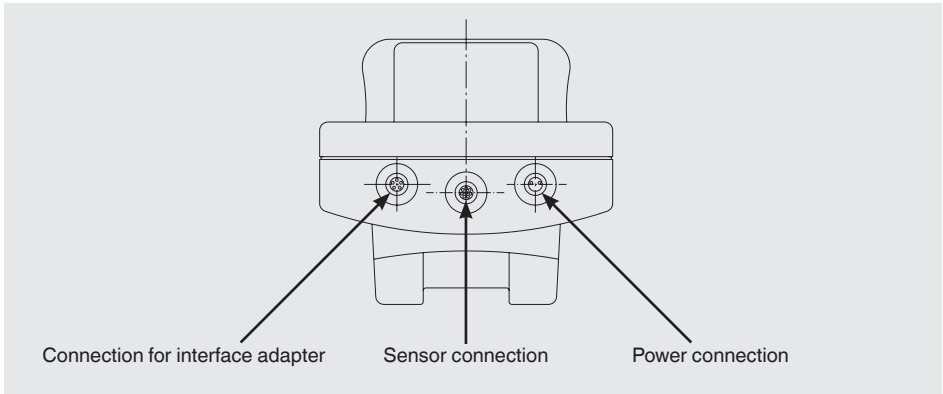
- Precision hand-held pressure indicator model CPH6400
- Battery charger
- 3.1 calibration certificate per DIN EN 10204
- Choice of sensors

Cross-check scope of delivery with delivery note.

4. Design and function

4.3 Electrical connections to the CPH6400 digital indicator

All electrical connections are located along the top edge of the CPH6400 (see picture below).



WARNING!

Only original WIKA components should be connected to any of the electrical connections. (Only the WIKA battery charger to the mains input/charger socket; and only a WIKA USB connecting cable to the interface socket).



DANGER!

The CPH6400 must be switched off before connecting or disconnecting any electrical connection. In addition, the supply voltage marked on the power supply unit must match the local mains voltage.

4.4 CPT6400 reference pressure sensor

For the CPH6400, there are many reference pressure sensors to choose from, (with measuring ranges from 400 mbar up to 1,000 bar with an accuracy of 0.025 %, and measuring ranges over 1,000 bar up to 6,000 bar with an accuracy of 0.1 %) which can be interchanged quickly and without tools. When the CPH6400 is switched on, the reference pressure sensor attached is recognised automatically, so that no further configuration is needed.



Up to ten CPT6400 reference pressure sensors are supported by one CPH6400.

4. Design and function

4.4.1 Connection of the model CPT6400 reference pressure sensor

GB



CAUTION!

Only use model CPT6400 reference pressure sensors! Using other sensors could damage both the precision hand-held pressure indicator and the reference pressure sensors.

Switch the CPH6400 off before changing sensors.

Before switching the instrument on, connect the sensor, otherwise it may not be correctly identified by the instrument. The identification of the model CPT6400 reference pressure sensors can take up to 60 seconds.

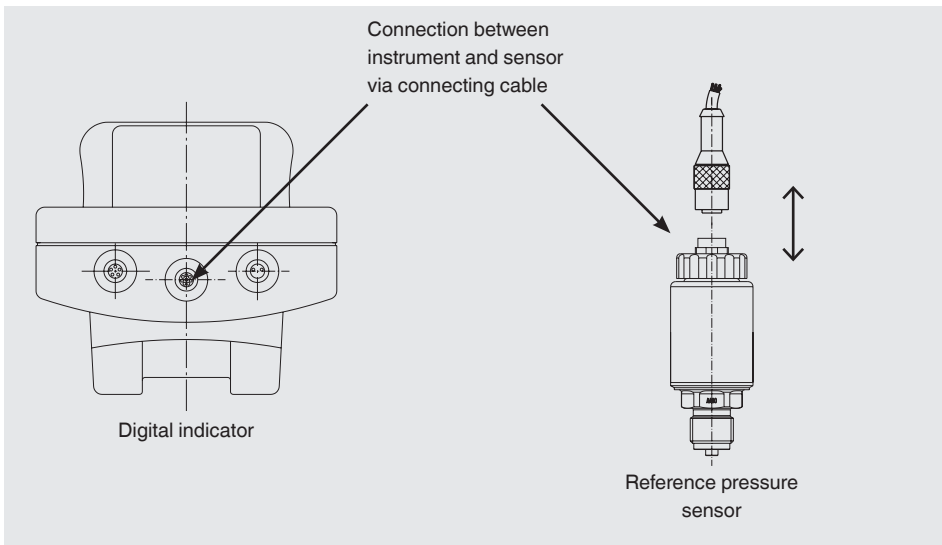
For gauge or relative pressure sensors, there is a pressure-equalising vent in the top of the sensor under the plastic cover. This vent (with integrated membrane) must remain clear, without fail!



CAUTION!

Only ever use the original WIKA connecting cable in the operation of CPT6400 reference pressure sensors.

The digital indicator and the reference pressure sensor are connected to each other electrically using a separate connecting cable. When exchanging the sensor, use the 8-pin plug connector at the sensor.



In order to make the electrical connection for a CPT6400 reference pressure sensor, bring together the corresponding cable plug connector to the sensor in line with the orientation guide and secure it using a connection sleeve (screw in the connection sleeve clockwise without too much force). To loosen the connection, the connection sleeve must be turned anti-clockwise. To disconnect the sensor do not pull the cable, but rather only on the connector body.

For the connection to the digital indicator, the other end of the cable must also be brought together in line with the orientation guide and secured using the connection sleeve (screw in the connection sleeve without too much force). To loosen the connection, the connection sleeve must be turned anti-clockwise. To disconnect the sensor do not pull the cable, but rather only on the connector body.

4.5 Power supply

The internal Lithium-Ion battery, which can be easily charged with the battery charger supplied with the equipment, serves as the power supply for the instrument.

The instrument is delivered with a charge level of 25 ... 50 % and should be fully charged once before being used.

The battery-level display is shown in the upper right of the screen (see chapter "4.6 Explanation of display and keypad").



When the mains lead/battery charger is connected to the CPH6400, the battery will be charged, even if the CPH6400 is switched off.



CAUTION!

The battery level during storage or shipping should be between 25 ... 50 %.

- When the battery charger is no longer being used, the mains plug should be disconnected from the mains socket. Do not leave the battery charger connected to the rechargeable battery for longer than one day, since overloading can shorten its service life.
- Should the rechargeable battery still not be fully charged after 24 hours, contact the manufacturer. When not being used, a fully-charged battery will lose its charge over time.
- Extreme temperatures have an adverse effect on battery charging. As a result, the battery may first need to be either cooled or warmed, as appropriate.

4. Design and function

- When the battery is nearly empty, the message "**low BAT**" appears in the display. With 0 % battery level, the equipment automatically switches itself off and must then be recharged using the battery charger.

GB

4.5.1 During charging



CAUTION!

The temperature range over which the Lithium-Ion battery can be charged is 10 °C ... 45 °C. Charging the Lithium-Ion battery at temperatures outside of this range may lead to heating or damage. In addition, the performance of the Lithium-Ion battery can be affected and the service life reduced.

4.5.2 Charging the Lithium-Ion batteries



WARNING!

In order to charge the Lithium-Ion battery, never use any device other than that specified by WIKA. When the Lithium-Ion battery is used in devices other than the specified device, the performance and service life of the Lithium-Ion battery may be reduced, and, should the device cause an abnormal current to flow, it may cause the Lithium-Ion battery to become hot, explode or ignite and result in serious injury.



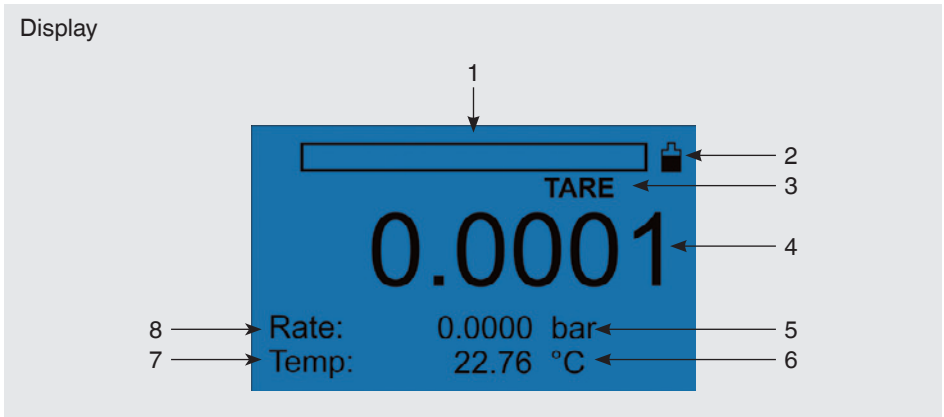
CAUTION!

The temperature range over which the Lithium-Ion battery can be discharged is -10 °C ... +60 °C. Use of the Lithium-Ion battery outside of this temperature range may affect the performance of the battery or may reduce its service life.

4. Design and function

4.6 Explanation of display and keypad

4.6.1 Display in measuring mode



GB

1 Bar graph

The bar graph displays from 0 ... 100 % of the measuring range of the currently connected sensor. It is 'filled' to x % based on the current pressure value and it gives information about the current load on the connected pressure sensor.

2 Battery level display

The battery level display indicates from 0 ... 100 % of the charge level. It is 'filled' to x % based on the current battery charge and it gives information about the current charge level of the battery.

3 TARE function (if activated)

4 Current measured pressure value

5 Current unit and type of pressure

- Gauge pressure: without identification;
- Absolute pressure: identified by an additional "ABS"

6 Temperature unit (2-channel version)

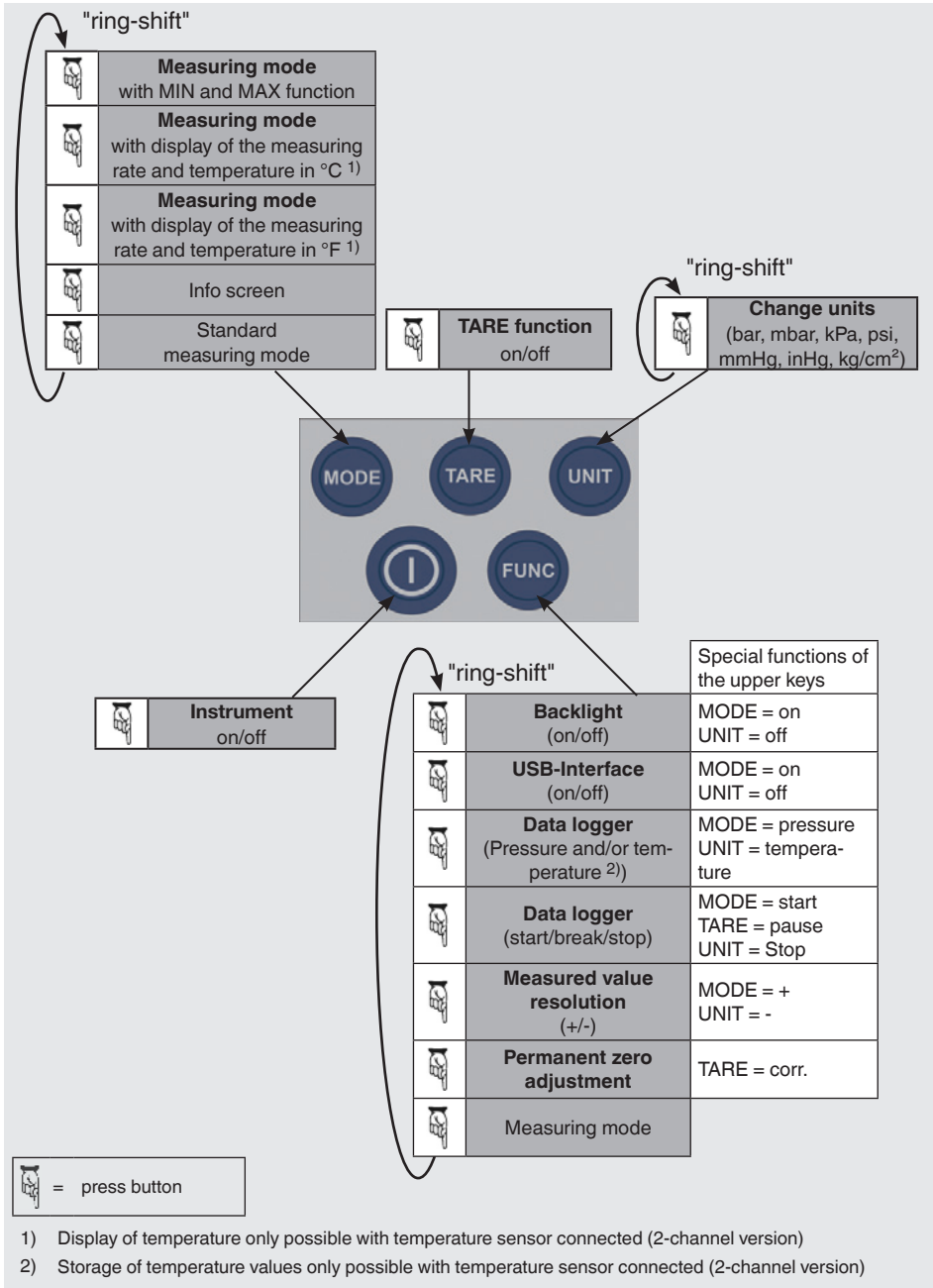
7 Current measured temperature via the external temperature sensor (2-channel version)

8 Display of the measuring rate

4. Design and function

4.6.2 Keypad

GB



5. Transport, packaging and storage

5.1 Transport

Check the precision hand-held pressure indicator for any damage that may have been caused by transport.

Obvious damage must be reported immediately.

5.2 Packaging

Do not remove packaging until just before mounting.

Keep the packaging as it will provide optimum protection during transport (e.g. change in installation site, sending for repair).

5.3 Storage

Permissible conditions at the place of storage:

- Storage temperature: -20 ... +60 °C
- Humidity: 0 ... 85 % relative humidity (non-condensing; at 50 °C)

Avoid exposure to the following factors:

- Direct sunlight or proximity to hot objects
- Mechanical vibration, mechanical shock (putting it down hard)
- Soot, vapour, dust and corrosive gases
- Potentially explosive environments, flammable atmospheres

Store the precision hand-held pressure indicator in its original packaging in a location that fulfils the conditions listed above. If the original packaging is not available, pack and store the precision hand-held pressure indicator as described below:

1. Wrap the precision hand-held pressure indicator in an antistatic plastic film.
2. Place the precision hand-held pressure indicator, along with shock-absorbent material, in the packaging.
3. If stored for a prolonged period of time (more than 30 days), place a bag containing a desiccant inside the packaging.



WARNING!

Before storing the precision hand-held pressure indicator, the reference pressure sensors or temperature sensors (following operation), remove any residual media. This is of particular importance if the medium is hazardous to health, e.g. caustic, toxic, carcinogenic, radioactive, etc.

6. Commissioning, operation

6.1 Requirements for test assemblies with the CPH6400

GB



Before starting any task, the device should be switched on briefly to determine that there is sufficient charge in the battery (battery level in %). The battery level is shown in the upper right of the screen in a device-status message. 100 % battery charge will enable approximately 25 hours of instrument operation.

Initially the test assembly must be physically assembled and connected electrically (see chapter "4.4.1 Connection of the model CPT6400 reference pressure sensor").

Before switching the CPH6400 on, ensure that the test assembly is not pressurised (system is vented to atmosphere) and that the equipment is correctly assembled and in the correct mounting position.



Only disconnect test and calibration installations once the system has been depressurised!

Particularly small measuring ranges (e.g. < 1 bar) are orientation dependent (i.e. the mounting position considerably influences the measurement signal). This can be compensated, if necessary, using the TARE function (see chapter "6.5 TARE function").

Absolute-pressure measuring ranges < 1 bar absolute are, by definition, in an overload condition at atmospheric pressure. Therefore the message "Sensor Overflow" appears in the display, indicating a pressure outside of the measuring range of the attached sensor. If the pressure is reduced, so that it falls within the permissible measuring range, then this message disappears from the display.

6.2 Instrument features

The precision hand-held pressure indicator features 3 operating modes:

- MEASURING MODE without additional function (standard measuring mode)
- MEASURING MODE with MIN and MAX function
- MEASURING MODE with display of the pressure rate (with 2-channel version with additional display of temperature)

6. Commissioning, operation

These different measuring modes are accessible via the **MODE** key.

Via the **UNIT** key, the current unit of pressure can easily be changed to one of the seven stored pressure units and the display resolution matched accordingly via the **FUNC** key.


The integrated data logger can be operated via the **FUNC** key and uploaded and displayed using the WIKA "PrintCal" PC software. In addition, "PrintCal" enables computer-assisted calibration of pressure measuring instruments including the generation of calibration certificates.

GB

For data transfer to a PC the model CPH6400 precision hand-held pressure indicator features a USB interface, which is activated and deactivated via the **FUNC** key.

6.3 Explanation of the Display

6.3.1 Device status messages shortly after powering-up the CPH6400

Directly after switching on the instrument via the  - key, the following Info screen appears for a short time:



Start-up Info screen

Following the status message, the display is shown for the measuring mode that was active before the last power-down.

6.4 Measuring modes

6.4.1 Standard measuring mode

GB

Approx. 3 seconds after switching on the CPH6400, with the CPT6400 reference pressure sensor connected correctly, the "Standard measuring mode" display appears (see figure below). It displays the current measured value, the unit and pressure type of the currently-connected pressure sensor and additionally a bar graph and the charge level of the rechargeable battery.



If the sensor has not been calibrated with the indicator, the message "Uncalibrated Sensor" will appear on the display. Use of the sensor is thus not permitted.



Standard measuring mode

1. Battery level display
2. Current pressure measured value
3. Current unit and type of pressure
4. Bar graph

6.4.2 Measuring mode incl. MIN/MAX function

Via the **MODE** key different functions can be superimposed, e.g. the **MIN** and **MAX** function (**MIN/MAX**).

Activation of the MIN/MAX function

Pressing the **MODE** key once* (directly within the standard measuring mode).

* If you are in a different measuring mode than the standard measuring mode, press the MODE key until the measuring mode with the MIN/MAX function appears on the display).



Measuring mode with MIN/MAX function

1. Battery level display
2. Current pressure measured value
3. Current unit and type of pressure
4. Minimum function
The Minimum function records and displays the lowest value since it was switched on and is reset by switching the instrument on/off.
5. Maximum function
The Maximum function records and displays the highest value since it was switched on and is reset by switching the instrument on/off.
6. Bar graph



Return to the standard measuring mode by pressing the MODE key several times.

6.4.3 Measuring mode incl. the display of the pressure rate and optional temperature

Via the **MODE** key different functions can be superimposed, e.g. the function: Pressure Rate (**RATE**).

With the 2-channel version of the CPH6400 an additional display of measured temperature can also be made, using an external Pt100 resistance thermometer. If there is no Pt100 resistance thermometer connected with this version, then the display shows "**Waiting**" instead of the temperature value.

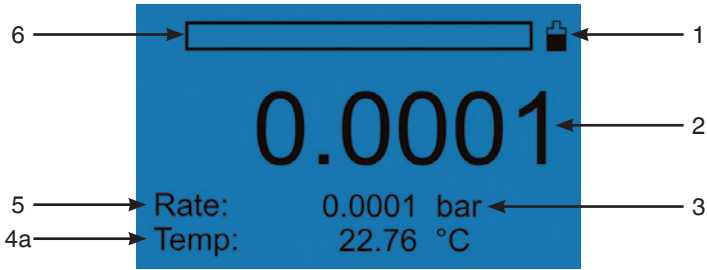
Activation of the Pressure Rate function **RATE** and optional temperature display

Pressing the **MODE** key twice* (directly within the standard measuring mode) displays the pressure rate and the temperature in °C.

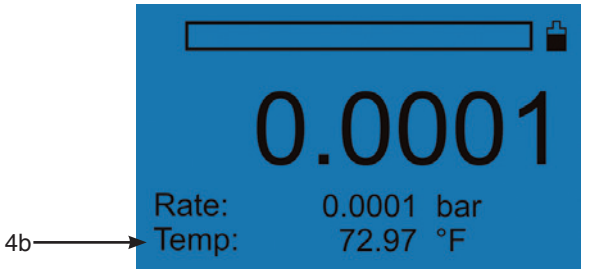
Pressing the **MODE** key three times with an external Pt100 resistance thermometer (directly within the standard measuring mode) displays the pressure rate and the temperature in °F.

* If you are in a different measuring mode than the standard measuring mode, press the **MODE** key until the measuring mode with the **Pressure Rate** function appears on the display).

GB



Measuring mode with display of the pressure rate
"RATE" and optional temperature in °C "TEMP"



Measuring mode with display of the pressure rate
"RATE" and optional temperature in °F "TEMP"

1. Battery level display
2. Current pressure measured value
3. Current unit and type of pressure
- 4a. Current temperature display in °C
- 4b. Current temperature display in °F
5. Current pressure rate (RATE):
The pressure rate visualises the current pressure change/sec.
6. Bar graph



Return to the standard measuring mode by pressing the MODE key several times.

6. Commissioning, operation

6.4.4 Info screen

Via the **MODE** key different functions can be superimposed, e.g. the function: Info (**INFO**).

Activation of the Info screen

Pressing the **MODE** key four times* (directly within the standard measuring mode)

GB

* If you are in a different measuring mode than the standard measuring mode, press the **MODE** key until the measuring mode with the **Info Screen** function appears on the display).

1	SerialNo:	0000-000
2	Version:	1.30 3.90
3	SensorNo:	OT11
4	P-Type:	rel
5	Class:	0.025
6	RangeStart:	0.00
7	RangeEnd:	1000.00
8	Cal-Dat.:	2011/02/16

Info screen

- 1) Serial number of the CPH6400
- 2) Current Firmware version in the instrument
- 3) Internal sensor number of the currently-connected sensor
- 4) Pressure type for the currently-connected sensor
- 5) Accuracy in % FS of the currently-connected sensor
- 6) Lower limit of the measuring range for the currently-connected sensor
- 7) Upper limit of the measuring range for the currently-connected sensor
- 8) Calibration date of the currently-connected sensor



Return to the standard measuring mode by pressing the **MODE key several times.**

6.5 Pressure units

Via the **UNIT** key, depending on the measuring range of the current pressure sensor, the units bar, mbar, kPa, psi, mmHg, inHg or kg/cm² can be selected.

Press the **UNIT** key until the required unit is displayed (ring-shift).

6.6 Measurement signal processing

The standard value for the filter for the measuring signal processing/smoothing is a factor of "3" and can only be altered, to a value between 1 and 5, using the WIKA "PrintCal" PC software.

1 = no filter, ... , 5 = high filter

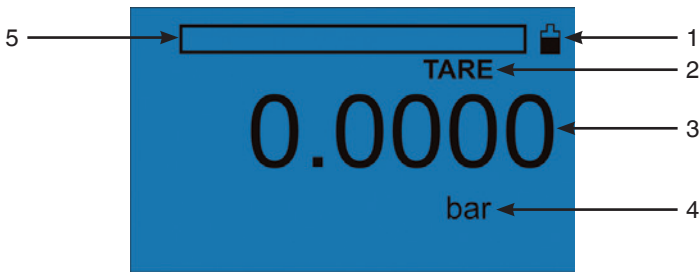
6. Commissioning, operation

6.7 TARE function

In the measuring mode you can carry out a zero point correction on overpressure sensors via the **TARE** function.

GB Activating the TARE function

Pressing the TARE key. This sets the current display to 0 and from then on all measurements are displayed in relation to the set **TARE** value. The legend **TARE**, displayed directly above the pressure unit, indicates that this function is active. Press the **TARE** key again to deactivate the **TARE** function.



Activated TARE function

1. Battery level display
2. Indication that the **TARE** function is active
3. Current pressure measured value
4. Current unit and type of pressure
5. Bar graph

6.8 The function key, "FUNC"

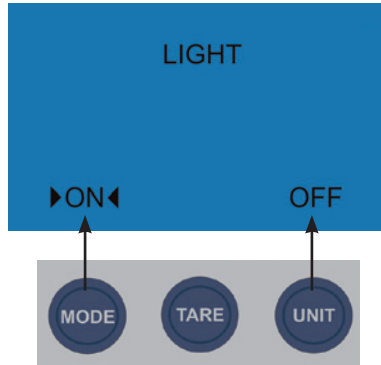
6.8.1 Backlighting (LIGHT)

Via the **FUNC** key various configurations can be achieved, e.g. the backlighting can be switched on and off.

Activation of the backlighting (LIGHT) menu item

Pressing the **FUNC** key once* (directly within the measuring mode).

* If you already are in a **FUNC** menu item, press the **FUNC** key until the "LIGHT" menu item appears.



In the "LIGHT" **FUNC** menu item, the backlighting can be switched on via the **MODE** key and switched off via the **UNIT** key.



Return to the standard measuring mode by pressing the FUNC key several times.

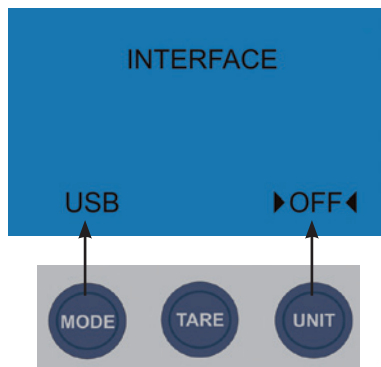
6.8.2 USB interface (INTERFACE)

Via the **FUNC** key various configurations can be achieved, e.g. the USB interface can be activated or deactivated.

Activating the USB interface menu item (INTERFACE)

Pressing the **FUNC** key twice* (directly within the measuring mode).

* If you already are in a **FUNC** menu item, press the **FUNC** key until the "INTERFACE" menu item appears.



In the "INTERFACE" **FUNC** menu item, the USB interface can be activated via the **MODE** key and deactivated via the **UNIT** key.

6. Commissioning, operation

The USB interface is deactivated by switching off the CPH6400. In order to activate the USB interface once again, follow the process described above.

GB



The WIKA "PrintCal" PC-Software is available as calibration and evaluation software.



Return to the standard measuring mode by pressing the FUNC key several times.

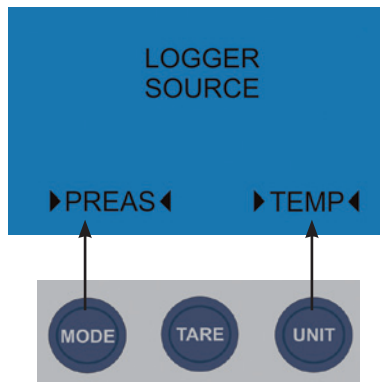
6.8.3 Data source for Data logger (LOGGER SOURCE)

Via the **FUNC** key various configurations can be achieved, e.g. the data source for the data logger can be selected.

Activating the Data Source for Data Logger menu item (LOGGER SOURCE)

Pressing the **FUNC** key three times* (directly within the measuring mode).

* If you already are in a **FUNC** menu item, press the **FUNC** key until the "**LOGGER SOURCE**" menu item appears.



In the "**LOGGER SOURCE**" **FUNC** menu item, the data source for the data logger can be selected. Via the **MODE** key pressure "**PREAS**" is selected, and via the **UNIT** key temperature "**TEMP**" is selected.



Return to the standard measuring mode by pressing the FUNC key several times.

6. Commissioning, operation

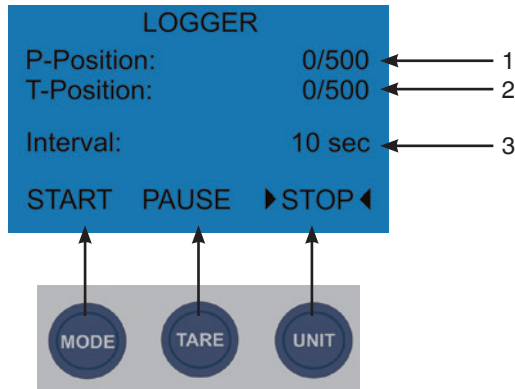
6.8.4 Data logger (LOGGER)

Via the **FUNC** key various configurations can be achieved, e.g. the integrated data logger can be operated.

Activating the Data Logger menu item (LOGGER)

Pressing the **FUNC** key four times* (directly within the measuring mode).

* If you already are in a **FUNC** menu item, press the **FUNC** key until the "LOGGER" menu item appears.



In the "LOGGER" **FUNC** menu item, the data recording can be started via the **MODE** key, paused via the **TARE** key and stopped via the **UNIT** key.

1. Currently stored points and max. possible number of stored points at pressure position P
2. Currently stored points and max. possible number of stored points at temperature position T
3. Cycle time (changeable via the WIKA "PrintCal" PC software)

FUNC Return to the standard measuring mode by pressing the **FUNC** key several times.



The WIKA "PrintCal" PC software is used to upload and display the saved logger data and also to configure the logger. Moreover "PrintCal" is also used to set the cycle time (see point 3) from 1 ... 3600 seconds.

6. Commissioning, operation

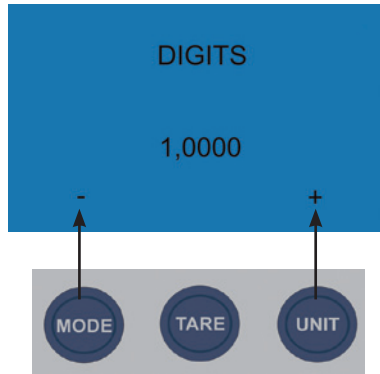
6.8.5 Display resolution (DIGITS)

Via the **FUNC** key various configurations can be achieved, e.g. the display resolution can be set.

GB Activating the Display Resolution menu item (DIGITS)

Pressing the **FUNC** key five times* (directly within the measuring mode).

* If you already are in a **FUNC** menu item, press the **FUNC** key until the "**DIGITS**" menu item appears.



In the "**DIGITS**" **FUNC** menu item, the displayed measured value resolution can be decreased via the **MODE** key and increased via the **UNIT** key. In total, up to 6 digits can be displayed.



Return to the standard measuring mode by pressing the FUNC key several times.

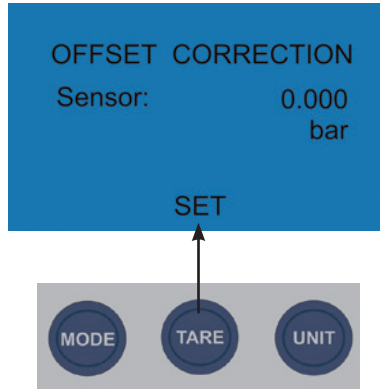
6.8.6 Zero point correction (only for gauge pressure ranges) (OFFSET CORRECTION)

Via the **FUNC** key various configurations can be achieved, e.g. the zero point correction of gauge pressure sensors.

Activation of the Zero Point Correction menu item (OFFSET CORRECTION)

Pressing the **FUNC** key six times* (directly within the measuring mode).

* If you already are in a **FUNC** menu item, press the **FUNC** key until the "**OFFSET CORRECTION**" menu item appears.



If the measured value of the CPH6400 is not equal to zero, with the connected gauge pressure sensor and vented test assembly, then the zero point for gauge pressure sensors can be corrected via the "OFFSET CORRECTION" FUNC menu item by pressing the **TARE** key.



Return to the standard measuring mode by pressing the FUNC key several times.

7. Maintenance, cleaning and recalibration

7.1 Maintenance

This precision hand-held pressure indicator and its sensors are maintenance-free. Repairs must only be carried out by the manufacturer.

7.2 Cleaning



CAUTION!

- Before cleaning, correctly disconnect the precision hand-held pressure indicator from the pressure supply, switch it off and disconnect it from the mains.
- Clean the precision hand-held pressure indicator with a moist cloth.
- Electrical connections must not come into contact with moisture.
- Residual media in dismantled precision hand-held pressure indicators or sensors can result in a risk to persons, the environment and equipment. Take sufficient precautionary measures.



For information on returning the precision hand-held pressure indicator see chapter "9.2 Return".

GB

7.3 Recalibration


DKD/DAkkS certificate - Certificates:

We recommend that the instrument is regularly recalibrated by the manufacturer, with time intervals of approx. 12 months. Every factory recalibration includes, additionally, an extensive free-of-charge check of all system parameters with respect to their compliance with the specification. The basic settings will be corrected if necessary.

8. Faults

Display	Causes	Measures
low BAT	The rechargeable battery's capacity is less than 10 %.	Recharge the internal rechargeable battery using the battery charger.
Sensor Overflow	The current pressure value is outside the measuring range of the model CPT6400 reference pressure sensor	Adjust the pressure immediately and appropriately.
No display or strange symbols, device is not responding to input	Malfunction during operation.	Switch off the instrument and switch on again after 5 seconds.
No display	The instrument is not detected by the PC.	Check whether the USB interface is connected correctly and USB is activated in the CPH6400 (see chapter 6.8.2)
No display	When switching the instrument on, after 10 seconds no measured value is displayed, but instead, the whole display is dark.	Recharge the internal rechargeable battery using the battery charger.
	The display is dark and the rechargeable battery cannot be charged via the battery charger.	Check that the battery charger is connected properly, and also check (using appropriately qualified personnel) that the power supply voltage is correct.

8.1 Reset to factory setting (RESET)

If the problems above cannot be solved using the recommended measures, then, by pressing the keys  and "FUNC" at the same time, a reset to the factory settings (RESET) can be made.

Following the completion of the "RESET" the CPH6400 must be switched off, and then turned on again after approx. five seconds.



CAUTION!

If faults cannot be eliminated by means of the measures listed above, the instrument must be shut down immediately, and it must be ensured that pressure and/or signal are no longer present, and it must be prevented from being inadvertently put back into service. In this case, contact the manufacturer. If a return is needed, follow the instructions given in chapter "9.2 Return".

9. Dismounting, return and disposal



WARNING!

Residual media in dismantled precision hand-held pressure indicators or sensors can result in a risk to persons, the environment and equipment.

Take sufficient precautionary measures.

9.1 Dismounting

Let the temperature sensor cool down sufficiently before dismantling!

Only disconnect the precision hand-held pressure indicator and reference pressure sensor once the system has been depressurised!

9.2 Return



WARNING!

Strictly observe when shipping the precision hand-held pressure indicator and the sensors:

All precision hand-held pressure indicators and sensors delivered to WIKA must be free from any kind of hazardous substances (acids, bases, solutions, etc.).

When returning the precision hand-held pressure indicators and the sensors, use the original packaging or a suitable transport package.

9. Dismounting, return and disposal

GB

To avoid damage:

1. Wrap the precision hand-held pressure indicator and the sensors in an antistatic plastic film.
2. Place the precision hand-held pressure indicator and sensors, along with the shock-absorbent material, in the packaging. Place shock-absorbent material evenly on all sides of the transport packaging.
3. If possible, place a bag containing a desiccant inside the packaging.
4. Label the shipment as transport of a highly sensitive measuring instrument.

Enclose the completed return form with the precision hand-held pressure indicator and sensors.



The return form is available on the internet:
www.wika.com / **Service** / **Return**

9.3 Disposal



WARNING!

Before the disposal of the precision hand-held pressure indicator, the reference pressure sensors or temperature sensors, remove any residual media. This is of particular importance if the medium is hazardous to health, e.g. caustic, toxic, carcinogenic, radioactive, etc.

Incorrect disposal can put the environment at risk.

Dispose of instrument components and packaging materials in an environmentally compatible way and in accordance with the country-specific waste disposal regulations.



This marking on the instruments indicates that they must not be disposed of in domestic waste. The disposal is carried out by return to the manufacturer or by the corresponding municipal authorities. See directive 2002/96/EC.

10. Accessories

Connection adapters

- Various pressure adapters
- "Minimess" quick-connect process connection system

GB

Connecting cable

- USB interface cable

Pressure generation

- Pneumatic test pumps
- Hydraulic test pumps

Calibration case

- Service cases
- Various test and service cases incl. pressure generation

Software

- PrintCal data-logger/calibration software

Current supply

- Battery charger

Temperature sensor

- Pt100 resistance thermometer

Miscellaneous

- 2-channel version (pressure and temperature measurement in a single instrument)
- DKD/DAkkS certified accuracy



GB

EG-Konformitätserklärung

EC Declaration of Conformity

Dokument Nr.:

11496721.02

Document No.:

11496721.02

Wir erklären in alleiniger Verantwortung, dass die mit CE gekennzeichneten Produkte

We declare under our sole responsibility that the CE marked products

Typ:

CPH6400

Model:

CPH6400

Beschreibung:

Präzisions-Hand-Held Druckmessgerät

gemäß gültigem Datenblatt:

CT 14.01

Description:

Precision hand-held pressure indicator

according to the valid data sheet:

CT 14.01

die grundlegenden Schutzanforderungen der folgenden Richtlinie(n) erfüllen:

2004/108/EG (EMV)

are in conformity with the essential protection requirements of the directive(s)

2004/108/EC (EMC)

Die Geräte wurden entsprechend den folgenden Normen geprüft:

EN 61326-1:2006

The devices have been tested according to the following standards:

EN 61326-1:2006

Unterszeichnet für und im Namen von / Signed for and on behalf of

WIKAL Alexander Wiegand SE & Co. KG

Klingenberg, 2011-12-15

Geschäftsbereich / Company division: MP-CT

Qualitätsmanagement / Quality management : MP-CT



 Alfred Häfner



 Harald Hartl

Unterschrift, autorisiert durch das Unternehmen / Signature authorized by the company

WIKAL Alexander Wiegand SE & Co. KG
 Alexander-Wiegand-Straße 30
 63911 Klingenberg
 Germany

Tel. +49 9372 132-0
 Fax +49 9372 132-406
 E-Mail info@wika.de
 www.wika.de

Kommanditgesellschaft: Sitz Klingenberg –
 Amtsgericht Aschaffenburg HRA 1819
 Komplementärin: WIKAL Verwaltungs SE & Co. KG –
 Sitz Klingenberg – Amtsgericht Aschaffenburg
 HRA 4625

Komplementärin:
 WIKAL International SE - Sitz Klingenberg -
 Amtsgericht Aschaffenburg HRB 10505
 Vorstand: Alexander Wiegand
 Vorsitzender des Aufsichtsrats: Dr. Max Eglh



EG-Konformitätserklärung

EC Declaration of Conformity

Dokument Nr.:

11600080.01

Wir erklären in alleiniger Verantwortung, dass die mit CE gekennzeichneten Produkte

Typ:

CPT6400

Beschreibung:

Transmitter
(für Hand-Held Druckmessgerät CPH6400)

gemäß gültigem Datenblatt:

CT 14.01

die grundlegenden Schutzanforderungen der folgenden Richtlinie(n) erfüllen:

97/23/EG (DGRL) ⁽¹⁾
2004/108/EG (EMV)

Die Geräte wurden entsprechend den folgenden Normen geprüft:

EN 61326-1:2006

(1) PS > 200 bar; Modul A, druckhaltendes Ausrüstungsteil

Document No.:

11600080.01

We declare under our sole responsibility that the CE marked products

Model:

CPT6400

Description:

Transmitter
(for Hand-Held Pressure Indicator CPH6400)

according to the valid data sheet:

CT 14.01

are in conformity with the essential protection requirements of the directive(s)

97/23/EC (PED) ⁽¹⁾
2004/108/EC (EMC)

The devices have been tested according to the following standards:

EN 61326-1:2006

(1) PS > 200 bar; Module A, pressure accessory

Unterzeichnet für und im Namen von / Signed for and on behalf of

WIKA Alexander Wiegand SE & Co. KG

Klingenberg, 2010-07-19

Geschäftsbereich / Company division: MP-CT

Qualitätsmanagement / Quality management: MP-CT

Alfred Häfner

Robert Bissert

Unterschrift, autorisiert durch das Unternehmen / Signature authorized by the company

WIKA Alexander Wiegand SE & Co. KG
Alexander-Wiegand-Straße 30
63011 Klingenberg
Germany

Tel. +49 9372 132-0
Fax: +49 9372 132-406
E-Mail: info@wika.de
www.wika.de

Kommanditgesellschaft: Sitz Klingenberg –
Amtsgericht Aschaffenburg HRA 1819
Komplementärin: WIKA Verwaltungs SE & Co. KG –
Sitz Klingenberg – Amtsgericht Aschaffenburg
HRA 4685

Komplementärin:
WIKA International SE - Sitz Klingenberg -
Amtsgericht Aschaffenburg HRB 10905
Vorstand: Alexander Wiegand
Vorsitzender des Aufsichtsrats: Dr. Max Egli

Inhalt

1.	Allgemeines	42
2.	Sicherheit	43
2.1	Bestimmungsgemäße Verwendung	43
2.2	Personalqualifikation	44
2.3	Besondere Gefahren	45
2.4	Verwendung des Lithium-Ionen-Akkus	46
2.5	Beschilderung / Sicherheitskennzeichnungen	49
3.	Technische Daten	50
4.	Aufbau und Funktion	52
4.1	Kurzbeschreibung / Beschreibung	52
4.2	Lieferumfang	52
4.3	Elektrische Anschlüsse am digitalen Anzeigegerät CPH6400	53
4.4	Referenz-Drucksensor Typ CPT6400	53
4.5	Spannungsversorgung	55
4.6	Erklärungen zur Anzeige und Tastatur	57
5.	Transport, Verpackung und Lagerung	59
6.	Inbetriebnahme, Betrieb	60
6.1	Anforderungen an Prüfaufbauten mit dem CPH6400	60
6.2	Geräte-Merkmale	60
6.3	Display Darstellungen	61
6.4	Messmodi	62
6.5	Druckeinheiten	65
6.6	Messsignalaufbereitung	65
6.7	TARA-Funktion	66
6.8	Die Funktionstaste „FUNC“	66
7.	Wartung, Reinigung und Rekalibrierung	71
8.	Störungen	72
9.	Demontage, Rücksendung und Entsorgung	73
10.	Zubehör	75
	Anlage 1: EG-Konformitätserklärung Typ CPH6400	76
	Anlage 2: EG-Konformitätserklärung Typ CPT6400	77

Konformitätserklärungen finden Sie online unter www.wika.de.

1. Allgemeines

- Das in der Betriebsanleitung beschriebene Präzisions-Hand-Held Druckmessgerät wird nach den neuesten Erkenntnissen gefertigt.
Alle Komponenten unterliegen während der Fertigung strengen Qualitäts- und Umweltkriterien. Unsere Managementsysteme sind nach ISO 9001 und ISO 14001 zertifiziert.
- Diese Betriebsanleitung gibt wichtige Hinweise zum Umgang mit dem Präzisions-Hand-Held Druckmessgerät. Voraussetzung für sicheres Arbeiten ist die Einhaltung aller angegebenen Sicherheitshinweise und Handlungsanweisungen.
- Die für den Einsatzbereich des Präzisions-Hand-Held Druckmessgerätes geltenden örtlichen Unfallverhütungsvorschriften und allgemeinen Sicherheitsbestimmungen einhalten.
- Die Betriebsanleitung ist Produktbestandteil und muss in unmittelbarer Nähe des Präzisions-Hand-Held Druckmessgerätes für das Fachpersonal jederzeit zugänglich aufbewahrt werden.
- Das Fachpersonal muss die Betriebsanleitung vor Beginn aller Arbeiten sorgfältig durchgelesen und verstanden haben.
- Die Haftung des Herstellers erlischt bei Schäden durch bestimmungswidrige Verwendung, Nichtbeachten dieser Betriebsanleitung, Einsatz ungenügend qualifizierten Fachpersonals sowie eigenmächtiger Veränderung am Präzisions-Hand-Held Druckmessgerät.
- Es gelten die allgemeinen Geschäftsbedingungen in den Verkaufsunterlagen.
- Technische Änderungen vorbehalten.
- Werkskalibrierungen / DKD/DAkkS-Kalibrierungen erfolgen nach internationalen Normen.
- Weitere Informationen:
 - Internet-Adresse: www.wika.de / www.wika.com
 - zugehöriges Datenblatt: CT 14.01
 - Anwendungsberater: Tel.: (+49) 9372/132-9986
Fax: (+49) 9372/132-8767
E-Mail: testequip@wika.de

Symbolerklärung



WARNUNG!

... weist auf eine möglicherweise gefährliche Situation hin, die zum Tod oder zu schweren Verletzungen führen kann, wenn sie nicht gemieden wird.



VORSICHT!

... weist auf eine möglicherweise gefährliche Situation hin, die zu geringfügigen oder leichten Verletzungen bzw. Sach- und Umweltschäden führen kann, wenn sie nicht gemieden wird.



Information

... hebt nützliche Tipps und Empfehlungen sowie Informationen für einen effizienten und störungsfreien Betrieb hervor.



GEFAHR!

...kennzeichnet Gefährdungen durch elektrischen Strom. Bei Nichtbeachtung der Sicherheitshinweise besteht die Gefahr schwerer oder tödlicher Verletzungen.

D

2. Sicherheit



WARNUNG!

Vor Montage, Inbetriebnahme und Betrieb sicherstellen, dass der richtige Referenz-Drucksensor am Präzisions-Hand-Held Druckmessgerät hinsichtlich Messbereich, Ausführung und spezifischen Messbedingungen ausgewählt wurde. Bei Nichtbeachten können schwere Körperverletzungen und/oder Sachschäden auftreten.



Weitere wichtige Sicherheitshinweise befinden sich in den einzelnen Kapiteln dieser Betriebsanleitung.

2.1 Bestimmungsgemäße Verwendung

Das Präzisions-Hand-Held Druckmessgerät Typ CPH6400 vereint die Vorteile eines kompakten Hand-Held Instrumentes mit der Präzision eines Labor-Kalibrierinstrumentes. Hierdurch gestalten sich alltägliche Aufgaben im Feld wie Messen, Prüfen oder Kalibrieren von Druckmessgeräten besonders einfach.

Das Präzisions-Hand-Held Druckmessgerät ist ausschließlich für den hier beschriebenen bestimmungsgemäßen Verwendungszweck konzipiert und konstruiert und darf nur dementsprechend verwendet werden.

D

Die technischen Spezifikationen in dieser Betriebsanleitung sind einzuhalten. Eine unsachgemäße Handhabung oder ein Betreiben des Präzisions-Hand-Held Druckmessgerätes außerhalb der technischen Spezifikationen macht die sofortige Stilllegung und Überprüfung durch einen autorisierten WIKA-Service Mitarbeiter erforderlich.

Elektronische Präzisionsmessgeräte mit erforderlicher Sorgfalt behandeln (vor Nässe, Stößen, starken Magnetfeldern, statische Elektrizität und extremen Temperaturen schützen, keine Gegenstände in das Gerät bzw. Öffnungen einführen). Stecker und Buchsen vor Verschmutzung schützen.

Wird das Präzisions-Hand-Held Druckmessgerät von einer kalten in eine warme Umgebung transportiert, so kann durch Kondensatbildung eine Störung der Gerätefunktion eintreten. Vor einer erneuten Inbetriebnahme die Angleichung der Gerätetemperatur an die Raumtemperatur abwarten.

Ansprüche jeglicher Art aufgrund von nicht bestimmungsgemäßer Verwendung sind ausgeschlossen.

2.2 Personalqualifikation



WARNUNG!

Verletzungsgefahr bei unzureichender Qualifikation!

Unsachgemäßer Umgang kann zu erheblichen Personen- und Sachschäden führen.

Die in dieser Betriebsanleitung beschriebenen Tätigkeiten nur durch Fachpersonal nachfolgend beschriebener Qualifikation durchführen lassen.

Fachpersonal

Das Fachpersonal ist aufgrund seiner fachlichen Ausbildung, seiner Kenntnisse der Mess- und Regelungstechnik und seiner Erfahrungen sowie Kenntnis der landesspezifischen Vorschriften, geltenden Normen und Richtlinien in der Lage, die beschriebenen Arbeiten auszuführen und mögliche Gefahren selbstständig zu erkennen.

Spezielle Einsatzbedingungen verlangen weiteres entsprechendes Wissen, z. B. über aggressive Medien.

2.3 Besondere Gefahren



WARNUNG!

- Drucksensor nur im drucklosem Zustand montieren bzw. demontieren.
- Betriebsparameter gemäß Kapitel „3. Technische Daten“ beachten.
- Druckmessgerät immer innerhalb des Überlastgrenzbereiches betreiben.
- Messstoffreste an ausgebauten Präzisions-Hand-Held Druckmessgeräten und/oder den Sensoren können zur Gefährdung von Personen, Umwelt und Einrichtung führen. Ausreichende Vorsichtsmaßnahmen ergreifen.
- Dieses Präzisions-Hand-Held Druckmessgerät nicht in Sicherheits- oder in Not-Aus-Einrichtungen benutzen. Fehlerhafte Anwendungen des Präzisions-Hand-Held Druckmessgerät können zu Verletzungen führen.
- Am Präzisions-Hand-Held Druckmessgerät und den Sensoren können im Fehlerfall aggressive Medien mit extremer Temperatur und unter hohem Druck oder Vakuum anliegen.
- Die Beschaltung beim Anschluss an andere Geräte besonders sorgfältig konzipieren. Unter Umständen können interne Verbindungen in Fremdgeräten (z.B. Verbindung GND mit Erde) zu nicht erlaubten Spannungspotentialen führen, die das Gerät selbst oder ein angeschlossenes Gerät in seiner Funktion beeinträchtigen oder sogar zerstören können.
- Um einen störungsfreien Betrieb zu gewährleisten, das Präzisions-Hand-Held Druckmessgerät nur im Akkubetrieb betreiben. Das Netzteil nur zum laden des Akkus vom Präzisions-Hand-Held Druckmessgerät verwenden
- Nur die von WIKA für das Präzisions-Hand-Held Druckmessgerät erhältliche Sensorkabel verwenden. Keine Leitungen länger 3 m an das CPH6400 anschließen.
- Das Messsignal der Referenz (bzw. des Prüflings) kann durch massive elektromagnetische Einstrahlung beeinflusst werden bzw. die Anzeige des Signals ganz ausbleiben.
- Die Displayfrontscheibe besteht aus Glas. Ist ein Zerschlagen der Scheibe während der Benutzung nicht vollständig auszuschließen, müssen alle Personen in der näheren Umgebung des Gerätes, vor und während der Benutzung eine Schutzbrille tragen.
- Wird der CPT6400 Referenz-Drucksensor bei Applikationen mit Druckmedium Öl verwendet, so ist ein anschließender Einsatz bei Brennstoffen oder Gasen auszuschließen, da dies zu gefährlichen Explosionen und Gefahr für Mensch und Maschine führen kann.



GEFAHR!

Lebensgefahr durch elektrischen Strom

Bei Berührung mit spannungsführenden Teilen besteht unmittelbare Lebensgefahr.

- Beim Laden mit einem defekten Netzgerät (z. B. Kurzschluss von Netzspannung zur Ausgangsspannung) können am Präzisions-Hand-Held Druckmessgerät lebensgefährliche Spannungen auftreten!
- Nur das von WIKA für das Präzisions-Hand-Held Druckmessgerät zugelassene Netzgerät verwenden.
- Kein schadhaftes oder abgenutztes Ladegerät verwenden.

D

Die Sicherheit des Benutzers kann durch das Gerät beeinträchtigt sein, wenn es zum Beispiel:

- sichtbare Schäden aufweist.
- nicht mehr wie vorgeschrieben arbeitet.
- längere Zeit unter ungeeigneten Bedingungen gelagert wurde.

In Zweifelsfällen das Gerät grundsätzlich an den Hersteller zur Reparatur bzw. Wartung einschicken.

2.4 Verwendung des Lithium-Ionen-Akkus



WARNUNG!

Unsachgemäße Verwendung des Lithium-Ionen-Akkus kann zur Erhitzung, Explosion oder Entzündung führen und schwere Verletzungen verursachen. Beachten Sie unbedingt die unten aufgelisteten Sicherheitshinweise:

- Löten Sie nicht direkt an den Lithium-Ionen-Akku.
- Der Lithium-Ionen-Akku darf weder verbrannt noch erhitzt werden.
- Der Lithium-Ionen-Akku darf nur richtig gepolt verbunden werden.
- Die positive Klemme und die negative Klemme des Lithium-Ionen-Akkus dürfen nicht über Metallobjekte (z. B. Kabel) miteinander verbunden werden.
- Der Lithium-Ionen-Akku darf nicht mit Halsketten, Haarnadeln oder anderen metallischen Objekten getragen oder gelagert werden.



WARNUNG!

- Der Lithium-Ionen-Akku darf weder mit Nägeln durchstoßen noch mit einem Hammer geschlagen werden. Außerdem ist es weder erlaubt, auf den Lithium-Ionen-Akku zu treten noch ihn anderen starken Stößen und Erschütterungen auszusetzen.

**WARNUNG!**

- Der Lithium-Ionen-Akku darf weder mit Wasser noch mit Salzwasser in Berührung kommen. Außerdem darf er nicht nass werden.

Der Lithium-Ionen-Akku darf weder auseinander gebaut noch verändert werden. Er ist mit Sicherheits- und Schutzeinrichtungen ausgestattet, die bei Beschädigung dazu führen können, dass dieser Hitze erzeugt, explodiert oder sich entzündet.

**WARNUNG!**

Der Lithium-Ionen-Akku darf nicht in der Nähe von Feuer, Öfen oder anderen Orten mit hohen Temperaturen liegen. Der Lithium-Ionen-Akku darf nicht in direktem Sonnenlicht liegen und bei heißem Wetter in Autos weder verwendet noch aufbewahrt werden. In diesem Fall könnte der Lithium-Ionen-Akku Hitze erzeugen, explodieren oder sich entzünden. Außerdem könnte dabei auch die Leistung und Lebensdauer des Lithium-Ionen-Akkus sinken.

Der Lithium-Ionen-Akku darf nicht in luftdicht abgeschlossene Geräte eingesetzt werden. In einigen Fällen könnte Wasserstoff oder Sauerstoff von der Zelle freigesetzt werden und so zur Beschädigung des Lithium-Ionen-Akkus, zu Feuer oder Explosion führen.

**WARNUNG!**

Der Lithium-Ionen-Akku darf absolut nicht mehr verwendet werden, falls er bei Einsatz, Aufladung oder Lagerung ungewöhnlich riecht, heiß ist, die Farbe oder Form wechselt oder in irgendeiner anderen Weise ungewöhnlich erscheint. Falls eines dieser Probleme auftreten sollte, sofort den jeweiligen Vertriebspartner kontaktieren.

Der Lithium-Ionen-Akku darf nicht in Mikrowellen-Herden, Hochdruck-Containern noch Induktionsherden platziert werden.

Falls der Lithium-Ionen-Akku undicht ist und die Flüssigkeit mit den Augen in Berührung kommen sollte, auf keinen Fall die Augen reiben. Spülen Sie die Augen gut mit Wasser aus und suchen Sie unverzüglich einen Arzt auf. Sollten die Augen nicht behandelt werden, können Verletzungen davon getragen werden.



VORSICHT!

Nach Verschleiß des Lithium-Ionen-Akkus müssen die Klemmen vor der Entsorgung mit Klebeband oder ähnlichem Material isoliert werden.

D



WARNUNG!

Beachten Sie unbedingt die unten aufgelisteten Hinweise beim Aufladen des Lithium-Ionen-Akkus. Andernfalls könnte sich der Lithium-Ionen-Akku erhitzen, explodieren oder entzünden und schwere Verletzungen verursachen.

- Verwenden Sie zum Aufladen des Lithium-Ionen-Akkus ausschließlich das von WIKA festgelegte Ladegerät.
- Schließen Sie den Lithium-Ionen-Akku weder direkt an eine Steckdose noch an den Zigarettenanzünder eines Autos an.
- Legen Sie den Lithium-Ionen-Akku weder in die Nähe von Feuer noch in direktes Sonnenlicht. Wenn der Lithium-Ionen-Akku heiß wird, wird die eingebaute Sicherheitseinrichtung aktiviert und verhindert ein Überladen. Das Erhitzen des Lithium-Ionen-Akkus kann die Sicherheitseinrichtung zerstören und kann dazu führen, dass dieser sich weiter erhitzt, kaputt geht oder sich entzündet.



WARNUNG!

Laden Sie den Lithium-Ionen-Akku nicht weiter auf, falls dieser nicht innerhalb der vorgegebenen Zeit vollständig aufgeladen ist. In diesem Fall könnte der Lithium-Ionen-Akku heiß werden, explodieren oder sich entzünden.

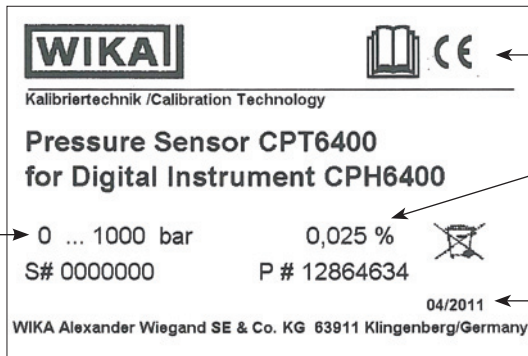
2.5 Beschilderung / Sicherheitskennzeichnungen

2.5.1 Typenschild



Symbolerklärung
siehe unten

Herstellungsdatum



Symbolerklärung
siehe unten

Genauigkeit

Herstellungsdatum

Druckbereich

2.5.2 Symbolerklärung



Vor Montage und Inbetriebnahme des Gerätes unbedingt die Betriebsanleitung lesen!



CE, Communauté Européenne

Geräte mit dieser Kennzeichnung stimmen überein mit den zutreffenden europäischen Richtlinien.



Bei Geräten mit dieser Kennzeichnung wird darauf hingewiesen, dass diese nicht in den Hausmüll entsorgt werden dürfen. Die Entsorgung erfolgt durch Rücknahme bzw. durch entsprechende kommunale Stellen. Siehe Richtlinie 2002/96/EG.

3. Technische Daten

Technische Daten		Präzisions-Hand-Held Druckmessgerät Typ CPH6400 (gesamte Messkette)								
Sensorik		1 Referenz-Drucksensor (ohne Werkzeug wechselbar) ¹⁾								
Messbereich	bar	0,4	1,6	6	16	40	100	250	600	1000
Überlastgrenze	bar	2	10	35	80	80	200	500	1200	1500
Berstdruck	bar	2,4	12	42	96	400	800	1200	2400	3000
Genauigkeit der Messkette		0,025 % FS ²⁾								
Messbereich	bar	1600	2500	4000	5000	6000				
Überlastgrenze	bar	2300	3500	5000	6000	7000				
Berstdruck	bar	4000	6000	8000	10000	11000				
Genauigkeit der Messkette		0,1 % FS ²⁾								
Druckart		{neben den o. g. Überdruckarten; auch Unterdruck, +/-, sowie Absolutdruck erhältlich}								
Druckeinheiten		bar, mbar, kPa, psi, mmHg, inHg und kg/cm ² (abhängig vom Messbereich frei wählbar)								
Aktive Temperaturkompensation	°C	10 ... 40								
Temperaturmessung		nur bei 2-Kanal-Version								
■ Fühlertyp		Pt100, 4-Leiter								
■ Messbereich	°C	-10 ... +50								
■ Auflösung	°C	0,01								
■ Genauigkeit	°C	0,05								
Zulässige Umgebungstemperatur	°C	0 ... 50								
Kalibrierung ²⁾		Werkskalibrierschein (optional: DKD/DAkS-Kalibrierschein)								

Technische Daten		Referenz-Drucksensor Typ CPT6400								
Druckanschluss		≤ 1000 bar: G ½ B; {diverse Anschlussadapter auf Anfrage} > 1000 bar: M16 x 1,5 innen, mit Dichtkonus								
Werkstoff		Messstoffberührte Teile CrNi-Stahl (bei Messbereichen > 25 bar ... ≤ 1000 bar zusätzlich Elgiloy®)								
Interne Übertragungsflüssigkeit		Synthetisches Öl (nur bei Messbereichen bis 25 bar)								
Zulässige Temperaturbereiche										
■ Messstoff	°C	-20 ... +80								
■ Lagerung	°C	-40 ... +85								
Gehäuse		CrNi-Stahl								
Elektrischer Anschluss		Rundstecker, 8-polig								
Schutzart		IP 65 (bei angeschlossenem Kabel)								
Gewicht	g	ca. 220								
CE-Konformität										
■ Druckgeräterichtlinie		97/23/EG, PS > 200 bar; Modul A, druckhaltendes Ausrüstungsteil								
■ EMV-Richtlinie		2004/108/EG, EN 61326 Emission (Gruppe 1, Klasse B) und Störfestigkeit (industrieller Bereich)								

1) Es werden bis zu 10 Transmitter pro Gerät unterstützt (bis zu 10 Kalibrierdatensätze).

2) Kalibriert bei 23 °C und bei senkrechter Einbaulage, Druckanschluss nach unten.

{ } Angaben in geschweiften Klammern beschreiben Mehrpreis lieferbare Sonderheiten.

3. Technische Daten

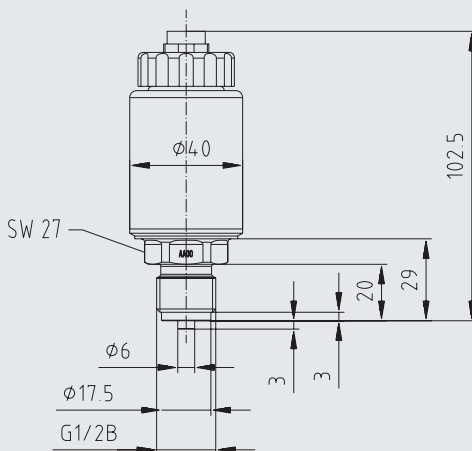
Technische Daten		Digitales Anzeigergerät Typ CPH6400
Anzeige		Großes Grafik-Display, mit Hintergrundbeleuchtung (abschaltbar)
Anzeigeauflösung		bis zu 6 Stellen; einstellbar
Messrate (Druck)		5 Werte/sec
Funktionen		Min-, Max-Speicher, Druckrate, Tara, Nullpunkt-Abgleich für Überdruckmessbereiche, Datenloggerfunktion
Datenlogger		- Zyklischer Datenlogger: automatische Aufzeichnung von bis zu 1000 Werten (500 Druckwerte und 500 Temperaturwerte) - Zykluszeit: wählbar von 1 ... 3600 Sekunden
Schnittstelle		USB
Zulässige		
■ Relative Feuchte	% r. F.	0 ... 85 (nicht betauend; bei 50 °C)
■ Lagertemperatur	°C	-20 ... +60
Hilfsenergie		
■ Stromversorgung		interner Lithium-Ionen Akku (Ladezeit: < 6 h)
■ Akku-Betriebsdauer	h	ca. 25
Gehäuse		Polyamid 12, Folientastatur, Klarsichtscheibe
Schutzart		IP 65
Gewicht	g	ca. 480
CE-Konformität		
■ EMV-Richtlinie		2004/108/EG, EN 61326 Emission (Gruppe 1, Klasse B) und Störfestigkeit (tragbares Messgerät)

D

Weitere technische Daten siehe WIKA Datenblatt CT 14.01 und Bestellunterlagen.

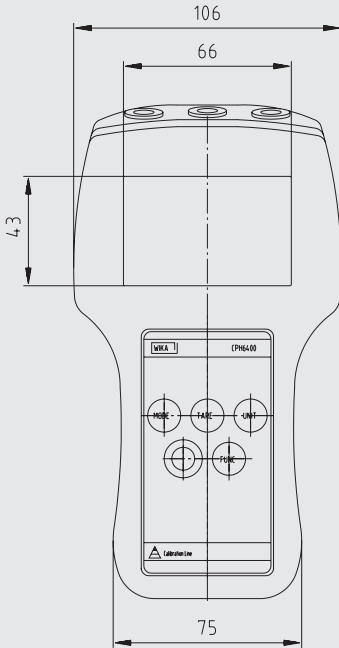
Abmessungen in mm

Referenz-Drucksensor CPT6400

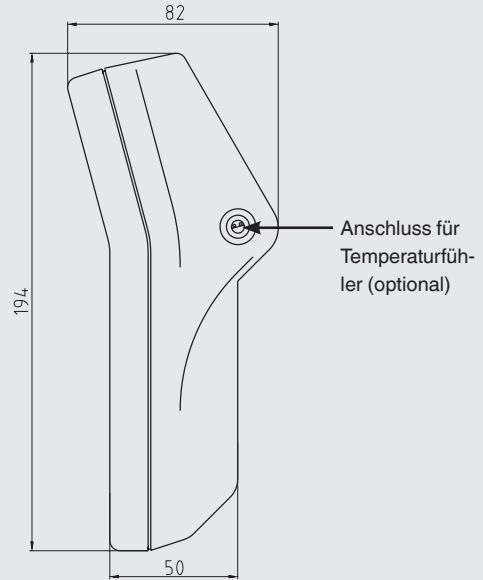


Abmessungen in mm

Digitales Anzeigergerät CPH6400
Ansicht von vorne



Ansicht von der Seite



4. Aufbau und Funktion

4.1 Kurzbeschreibung / Beschreibung

Das Präzisions-Hand-Held Druckmessgerät Typ CPH6400 vereint die Vorteile eines kompakten Hand-Held-Instrumentes mit der Präzision eines Labor-Kalibrierinstrumentes. Hierdurch gestalten sich alltägliche Aufgaben im Feld wie Messen, Prüfen oder Kalibrieren von Druckmessgeräten besonders einfach.

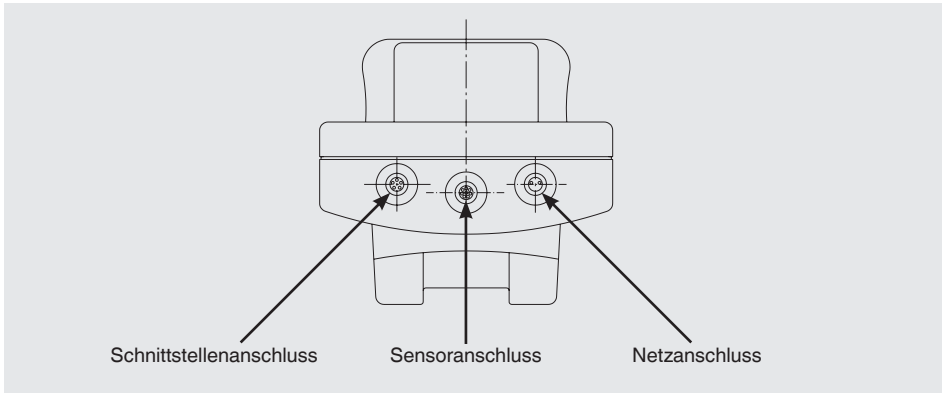
4.2 Lieferumfang

- Präzisions-Hand-Held Druckmessgerät Typ CPH6400
- Akku-Ladegerät
- Kalibrierzertifikat 3.1 nach DIN EN 10204
- Sensorik nach Wahl

Lieferumfang mit dem Lieferschein abgleichen.

4.3 Elektrische Anschlüsse am digitalen Anzeigergerät CPH6400

Am oberen Ende des CPH6400 befinden sich alle elektrischen Anschlüsse (siehe nachfolgende Abbildung).



D



WARNUNG!

An allen elektrischen Anschlussbuchsen dürfen nur Original WIKA-Komponenten angeschlossen werden. (An der Netz-/Ladebuchse nur das WIKA Ladegerät und an der Schnittstellenbuchse nur das WIKA USB-Schnittstellenkabel).



GEFAHR!

Alle elektrischen Verbindungen sind im ausgeschalteten Zustand des CPH6400 herzustellen bzw. zu trennen und es ist sicher zu stellen, dass die am Netzgerät angegebene Betriebsspannung mit der örtlichen Netzspannung übereinstimmt.

4.4 Referenz-Drucksensor Typ CPT6400

Für das CPH6400 stehen eine Vielzahl von Referenz-Drucksensoren mit Messbereichen von 400 mbar bis zu 1.000 bar mit einer Genauigkeit von 0,025 % und Messbereiche über 1.000 bar bis 6.000 bar mit einer Genauigkeit von 0,1 % zur Auswahl, die schnell und ohne Werkzeug am Gerät ausgetauscht werden können. Beim Einschalten des CPH6400 wird der angeschlossene Referenz-Drucksensor automatisch erkannt, so dass jegliche Konfiguration für ihn entfällt.



Es werden bis zu zehn CPT6400 Referenz-Drucksensoren von einem CPH6400 unterstützt.

4.4.1 Anschluss des Referenz-Drucksensors Typ CPT6400



VORSICHT!

Nur Referenz-Drucksensoren des Typs CPT6400 verwenden! Mit anderen Sensoren kann es zur Zerstörung des Präzisions-Hand-Held Druckmessgerätes und des Referenz-Drucksensors kommen.

Zum Sensorwechsel CPH6400 ausschalten.

Den Sensor vor dem Einschalten des Gerätes anstecken, sonst wird er vom Gerät evtl. nicht richtig erkannt. Die Identifikation des Referenz-Drucksensors Typ CPT6400 kann bis zu 60 Sekunden dauern.

Im oberen Teil des Sensorgehäuses unter der Kunststoffverschraubung befindet sich, bei Überdruck- bzw. relativ Drucksensoren, eine Öffnung für den Druckausgleich. Diese Öffnung (mit integrierter Membrane) muss unbedingt frei bleiben!

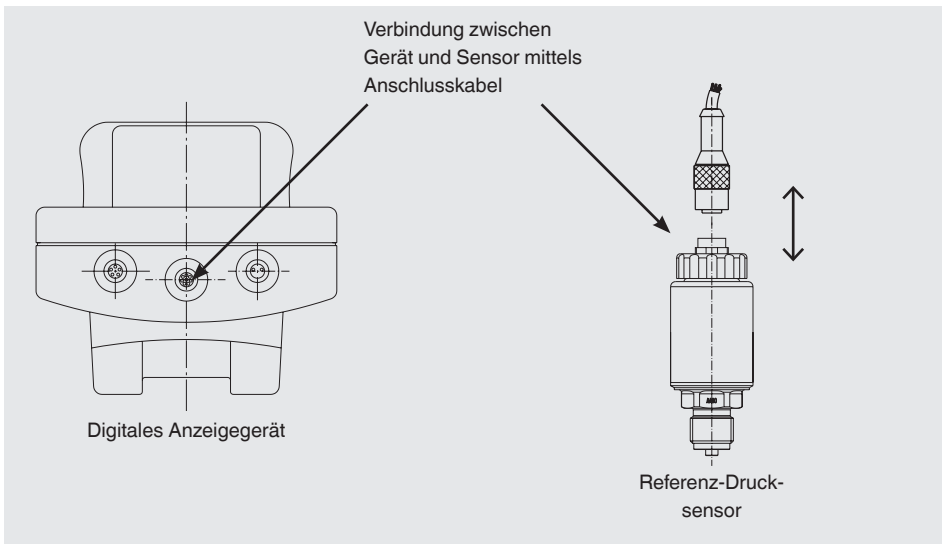
D



VORSICHT!

Nur das original WIKA Sensor-Anschlusskabel für den Betrieb des Referenz-Drucksensors CPT6400 verwenden.

Digitales Anzeigergerät und Referenz-Drucksensor werden mittels eines separaten Anschlusskabels elektrisch miteinander verbunden. Für den Sensorwechsel den 8-poligen Steckkontakt am Sensor benutzen.



Zum elektrischen Anschluss eines Referenz-Drucksensors Typ CPT6400 ist die entsprechende Steckverbindung des Kabels am Sensor gemäß der Orientierungsführung zusammenzustecken und durch die Überwurfhülse zu sichern (Überwurfhülse ohne größeren Kraftaufwand in Uhrzeigersinn drehen). Zum Lösen der Verbindung ist die Überwurfhülse gegen den Uhrzeigersinn zu drehen. Beim Abstecken des Sensors nicht am Kabel ziehen, sondern nur an der Steckerhülse.

Zum Anschluss am digitalen Anzeigegerät muss das andere Kabelende ebenfalls gemäß der Orientierungsführung zusammengesteckt und durch die Überwurfhülse gesichert werden (Überwurfhülse ohne größeren Kraftaufwand in Uhrzeigersinn drehen). Zum Lösen der Verbindung ist die Überwurfhülse gegen den Uhrzeigersinn zu drehen. Beim Abstecken des Anzeigegerätes nicht am Kabel ziehen, sondern nur an der Steckerhülse.

4.5 Spannungsversorgung

Die Spannungsversorgung des Gerätes erfolgt über den internen Lithium-Ionen Akku, der mit dem im Lieferumfang befindlichen Ladegerät einfach aufgeladen werden kann.

Das Gerät wird mit einem Akkuladestatus von 25 ... 50 % ausgeliefert und sollte vor dem Arbeitseinsatz zuerst einmal vollständig geladen werden.

Die Ladezustandsanzeige wird rechts oben im Display angezeigt (siehe Kapitel „4.6 Erklärung zur Anzeige und Tastatur“).



Ist das Netzladegerät am CPH6400 angeschlossen, so wird der Akku auch im ausgeschalteten Zustand des CPH6400 geladen.



VORSICHT!

Die Akkuladung sollte während der Lagerung oder der Versendung zwischen 25 ... 50 % liegen.

- Wenn das Ladegerät nicht mehr verwendet wird, Netzstecker aus der Steckdose ziehen. Den Akku nicht länger als einen Tag am Ladegerät angeschlossen lassen, da eine zu starke Aufladung seine Lebensdauer verkürzen kann.
- Sollte der Akku nach 24 Std. nicht vollständig geladen sein den Hersteller kontaktieren. Bei Nichtgebrauch entlädt sich ein voll aufgeladener Akku mit der Zeit.
- Extreme Temperaturen haben einen nachteiligen Einfluss auf das Laden des Akkus. Deshalb kann zunächst ein Abkühlen oder Aufwärmen des Akkus erforderlich sein.

- Wenn der Akku beinahe vollständig entladen ist, erscheint im Display der Hinweis „**low BAT**“. Bei 0 % Akkukapazität schaltet sich das Gerät automatisch ab und muss mit dem Ladegerät wieder geladen werden.

4.5.1 Während des Ladevorgangs

D



VORSICHT!

Der Temperaturbereich, in dem der Lithium-Ionen-Akku geladen werden kann beträgt 10 °C ... 45 °C. Den Lithium-Ionen-Akku außerhalb dieses Temperaturbereichs aufzuladen, kann zur Erhitzung oder Zerstörung führen. Außerdem kann dabei die Leistung des Lithium-Ionen-Akkus beeinträchtigt werden und die Lebensdauer reduzieren.

4.5.2 Entladung des Lithium-Ionen-Akkus



WARNUNG!

Verwenden Sie kein anderes Gerät als das von WIKA festgelegte, um den Lithium-Ionen-Akku zu entladen. Wenn der Lithium-Ionen-Akku in anderen als den von WIKA bestimmten Geräten verwendet wird, können die Leistung und die Lebensdauer des Lithium-Ionen-Akkus sinken und, falls das Gerät einen nicht normalen Stromfluss verursacht, kann sich der Lithium-Ionen-Akku erhitzen, explodieren oder entzünden und schwere Verletzungen verursachen.

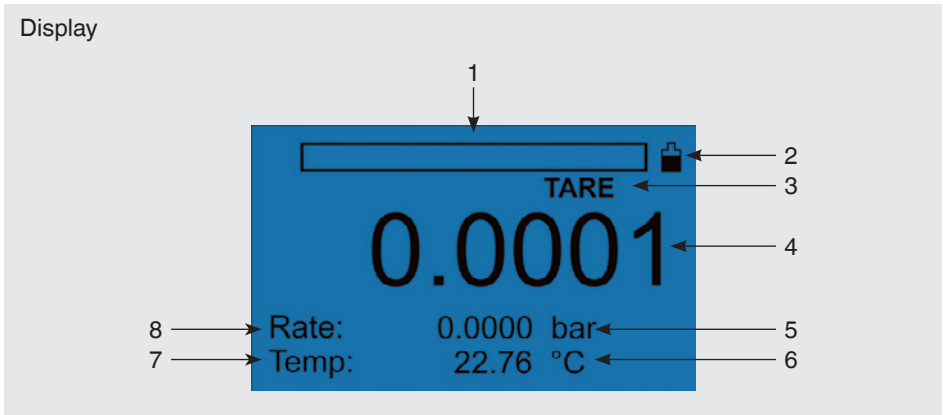


VORSICHT!

Der Temperaturbereich, in dem der Lithium-Ionen-Akku entladen werden kann beträgt -10 °C ... +60 °C. Der Einsatz des Lithium-Ionen-Akkus außerhalb dieses Temperaturbereichs kann die Leistung beeinträchtigen und die Lebensdauer reduzieren.

4.6 Erklärungen zur Anzeige und Tastatur

4.6.1 Anzeige im Messmodus



1 Bargraph

Der Bargraph stellt 0 ... 100 % des Messbereiches des aktuell angeschlossenen Sensors dar. Er ist entsprechend des aktuellen Druckwertes um x % gefüllt und liefert hierdurch eine Aussage über die momentane Auslastung des angeschlossenen Drucksensors.

2 Ladestandsanzeige

Die Ladestandsanzeige stellt 0 ... 100 % des Ladezustandes dar. Sie ist entsprechend dem aktuellen Ladezustand um x % gefüllt und liefert hierdurch eine Aussage über den momentanen Ladezustand des Akkus.

3 TARA-Funktion (falls aktiviert)

4 Aktuell gemessener Druckwert

5 Aktuelle Einheit und Druckart

- Überdruck: ohne Kennung;
- Absolutdruck: durch zusätzliches „ABS“ gekennzeichnet

6 Temperatureinheit (2-Kanal-Version)

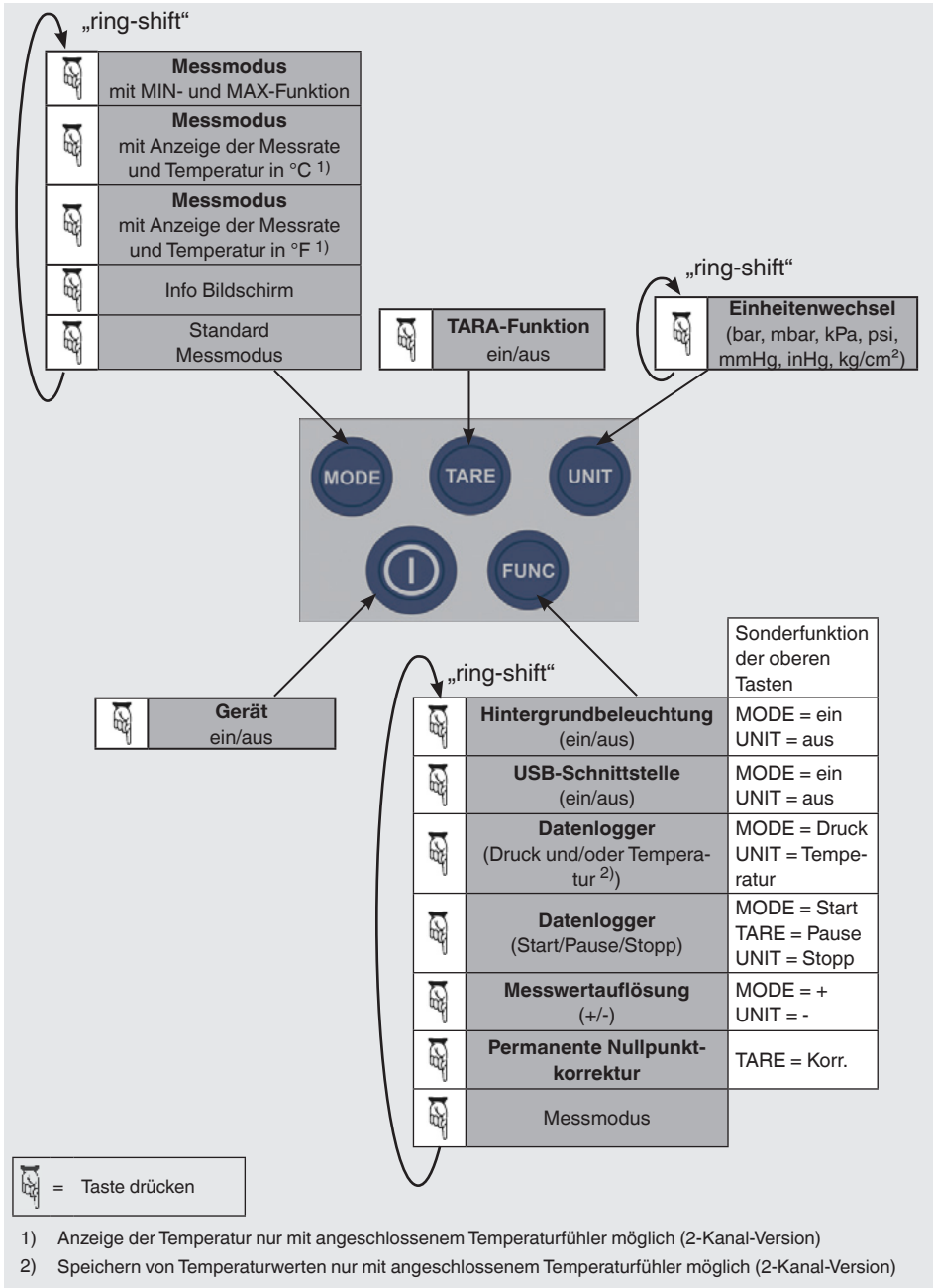
7 Aktuell über den externen Temperaturfühler gemessenen Temperatur (2-Kanal-Version)

8 Anzeige der Messrate

4. Aufbau und Funktion

4.6.2 Tastatur

D



113134-99.04 12/2012 GB/D

5. Transport, Verpackung und Lagerung

5.1 Transport

Präzisions-Hand-Held Druckmessgerät auf eventuell vorhandene Transportschäden untersuchen.

Offensichtliche Schäden unverzüglich mitteilen.

5.2 Verpackung

Verpackung erst unmittelbar vor der Montage entfernen.

Die Verpackung aufbewahren, denn diese bietet bei einem Transport einen optimalen Schutz (z. B. wechselnder Einbauort, Reparatursendung).

5.3 Lagerung

Zulässige Bedingungen am Lagerort:

- Lagertemperatur: -20 ... +60 °C
- Feuchtigkeit: 0 ... 85 % relative Feuchte (nicht betauend; bei 50 °C)

Folgende Einflüsse vermeiden:

- Direktes Sonnenlicht oder Nähe zu heißen Gegenständen
- Mechanische Vibration, mechanischer Schock (hartes Aufstellen)
- Ruß, Dampf, Staub und korrosive Gase
- Explosionsgefährdete Umgebung, entzündliche Atmosphären

Das Präzisions-Hand-Held Druckmessgerät in der Originalverpackung an einem Ort, der die oben gelisteten Bedingungen erfüllt, lagern. Wenn die Originalverpackung nicht vorhanden ist, dann das Präzisions-Hand-Held Druckmessgerät wie folgt verpacken und lagern:

1. Das Präzisions-Hand-Held Druckmessgerät in eine antistatische Plastikfolie einhüllen.
2. Das Präzisions-Hand-Held Druckmessgerät mit dem Dämmmaterial in der Verpackung platzieren.
3. Bei längerer Einlagerung (mehr als 30 Tage) einen Beutel mit Trocknungsmittel der Verpackung beilegen.



WARNUNG!

Vor der Einlagerung des Präzisions-Hand-Held Druckmessgerätes, des Referenz-Drucksensors oder Temperaturfühlers (nach Betrieb) alle anhaftenden Messstoffreste entfernen. Dies ist besonders wichtig, wenn der Messstoff gesundheitsgefährdend ist, wie z. B. ätzend, giftig, krebserregend, radioaktiv, usw.

6. Inbetriebnahme, Betrieb

6.1 Anforderungen an Prüfaufbauten mit dem CPH6400



Vor dem Arbeitsbeginn das Gerät kurz einschalten um festzustellen, ob der Akku über einen ausreichenden Ladezustand verfügt (Akkuladung in %). Die Akkuladung wird durch eine Geräte-Statusmeldung oben rechts im Display angezeigt. 100 % Akkuladung ermöglichen die Arbeit mit dem Gerät für ca. 25 Std.

Als erstes die Prüfaufbauten mechanisch und ggf. elektrisch verbinden/aufbauen (siehe Kapitel „4.4.1 Anschluss des Referenz-Drucksensors Typ CPT6400“).

Vor dem Einschalten des CPH6400 sicherstellen, dass sich der Prüfaufbau im drucklosen Zustand (System belüftet zu Atmosphäre) befindet und die Geräte die korrekte Einbaulage/Position aufweisen.



Prüf- und Kalibrieraufbauten nur im drucklosen Zustand montieren!

Besonders kleine Messbereiche z. B. < 1 bar sind Lageabhängig (d. h. die Lage beeinflusst maßgeblich das Messsignal). Dies kann, falls erforderlich, mittels der TARA-Funktion kompensiert werden (Siehe Kapitel „6.5 TARA-Funktion“).

Absolutdruck-Messbereiche < 1 bar absolut befinden sich an Atmosphäre in einem Überlastzustand. Deshalb erscheint im Display die Meldung „Sensor Overflow“ als Zeichen eines Druckes außerhalb des Messbereiches des angeschlossenen Sensors. Wird der Druck vermindert, so dass er innerhalb des zulässigen Messbereiches liegt, verschwindet die Meldung im Display.

6.2 Geräte-Merkmale

Das Präzisions-Hand-Held Druckmessgerät verfügt über 3 Arbeitsmodi:

- MESSMODUS ohne Zusatz-Funktion (Standard-Messmodus)
- MESSMODUS mit MIN- und MAX-Funktion
- MESSMODUS mit Anzeige der Druckrate (bei 2-Kanal-Version mit zusätzlicher Anzeige der Temperatur)

Diese verschiedenen Mess-Modi sind mittels **MODE**-Taste zugänglich.
Die aktuelle Druckeinheit einfach via **UNIT**-Taste in eine der sieben hinterlegten Druckeinheiten ändern und die Anzeigeauflösung via **FUNC**-Taste entsprechend anpassen.


Den integrierten Datenlogger via **FUNC**-Taste bedienen und mittels der WIKA PC-Software „PrintCal“ auslesen sowie darstellen. Außerdem ermöglicht „PrintCal“ die computerunterstützte Kalibrierung von Druckmessgeräten inkl. Generierung von Kalibrierzertifikaten.

D

Für den Datentransfer zu einem PC verfügt das Präzisions-Hand-Held Druckmessgerät Typ CPH6400 über eine USB-Schnittstelle, die via **FUNC**-Taste aktiviert bzw. deaktiviert wird.

6.3 Display Darstellungen

6.3.1 Geräte-Statusmeldung kurz nach dem Einschalten des CPH6400

Direkt nach dem Einschalten des Gerätes mittels  - Taste erscheint für einen kurzen Moment folgender Info-Bildschirm:



Einschalt-Info-Bildschirm

Nach der Statusmeldung erscheint die Oberfläche des vor dem Ausschalten verwendeten Messmodus.

6.4 Messmodi

6.4.1 Standard-Messmodus

Ca. drei Sekunden nach dem Einschalten des CPH6400 mit korrekt angeschlossenem Referenz-Drucksensor CPT6400 erscheint der Bildschirm „Standard-Messmodus“ (siehe nachfolgendes Bild). In ihm wird der aktuelle Messwert, die Einheit und Druckart des momentan angeschlossenen Drucksensors und zusätzlich ein Bargraph sowie der Akkuladestatus angezeigt.

D



Ist der Sensor nicht mit dem Anzeigerät kalibriert worden, wird dies durch die Meldung „Uncalibrated Sensor“ im Display angezeigt. Der Einsatz des Sensors ist dann nicht zulässig.



Standard-Messmodus

1. Ladestandsanzeige
2. Aktueller Druckmesswert
3. Aktuelle Einheit und Druckart
4. Bargraph

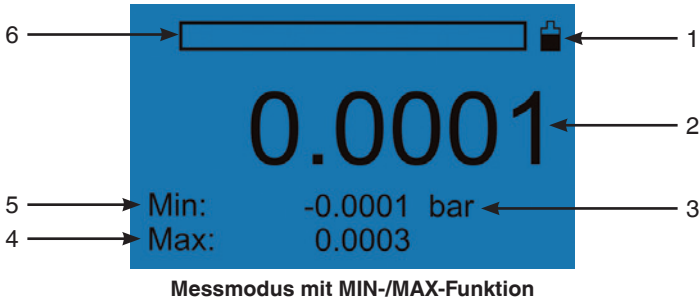
6.4.2 Messmodus inkl. MIN-/MAX-Funktion

Mittels der **MODE**-Taste lassen sich verschiedenen Funktionen einblenden, z. B. die **MIN**- und **MAX**-Funktion (**MIN/MAX**).

Aktivierung der MIN-/MAX-Funktion

1 x **MODE**-Taste drücken* (direkt aus dem Standard-Messmodus heraus).

* Befindet man sich in einem anderen Messmodus als dem Standard-Messmodus, ist die **MODE**-Taste mehrmals zu drücken bis der Messmodus mit der **MIN/MAX**-Funktion im Display erscheint.



1. Ladestandsanzeige
2. Aktueller Druckmesswert
3. Aktuelle Einheit und Druckart
4. Minimum-Funktion
Die Minimum-Funktion speichert und visualisiert den minimalen Wert seit dem Einschalten und wird durch ein Aus-/Einschalten des Gerätes zurückgesetzt.
5. Maximum-Funktion
Die Maximum-Funktion speichert und visualisiert den maximalen Wert seit dem Einschalten und wird durch ein Aus-/Einschalten des Gerätes zurückgesetzt.
6. Bargraph



Rückkehr in den Standard-Messmodus durch mehrfaches Drücken der MODE-Taste.

6.4.3 Messmodus inklusive Anzeige der Druckrate und opt. Temperatur

Mittels der **MODE**-Taste lassen sich verschiedenen Funktionen einblenden, z. B. die Funktion: Druckrate (**RATE**).

Bei der 2-Kanal-Version des CPH6400 erfolgt hier zusätzlich die Anzeige der, mit einem externen Pt100 Widerstandsthermometer, gemessenen Temperatur. Ist bei dieser Version kein Pt100 Widerstandsthermometer angeschlossen, so erscheint im Display anstelle des Temperaturwertes "**Waiting**".

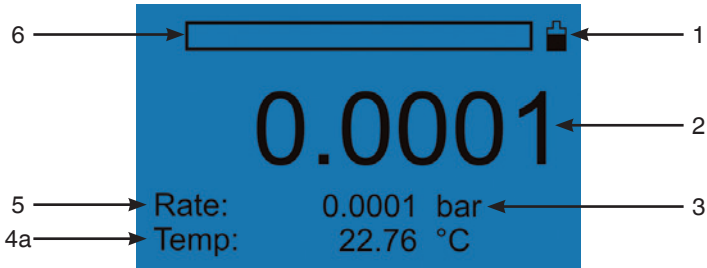
Aktivierung der Druckrate-Funktion **RATE** und opt. Temperaturanzeige

2 x **MODE**-Taste drücken* (direkt aus dem Standard-Messmodus heraus) zeigt die Druckrate und die Temperatur in °C an.

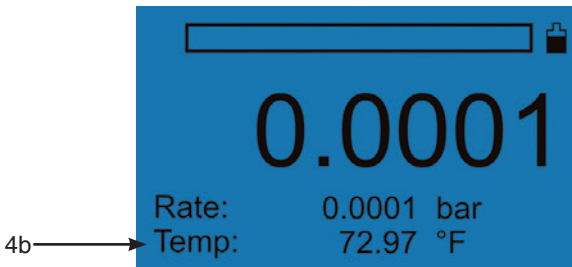
3 x **MODE**-Taste drücken mit einem externen Pt100 Widerstandsthermometer (direkt aus dem Standard-Messmodus heraus) zeigt die Druckrate und die Temperatur in °F an.

* Befindet man sich in einem anderen Messmodus als dem Standard-Messmodus, ist die **MODE**-Taste mehrmals zu drücken bis der Messmodus mit der **Druckraten**-Funktion im Display erscheint.

D



Messmodus mit Anzeige der Druckrate
"RATE" und opt. Temperatur in °C "TEMP"



Messmodus mit Anzeige der Druckrate
"RATE" und opt. Temperatur in °F "TEMP"

1. Ladestandsanzeige
2. Aktueller Druckmesswert
3. Aktuelle Einheit und Druckart
- 4a. Aktuelle Temperaturanzeige in °C
- 4b. Aktuelle Temperaturanzeige in °F
5. Aktuelle Druckrate (RATE):
Die Druckrate visualisiert die aktuelle Druckänderung/sek.
6. Bargraph



Rückkehr in den Standard-Messmodus durch mehrfaches Drücken der MODE-Taste.

6.4.4 Info-Bildschirm

Mittels der **MODE**-Taste lassen sich verschiedenen Funktionen einblenden, z. B. die Funktion: Info (**INFO**).

Aktivierung des Info-Bildschirmes

4 x **MODE**-Taste drücken* (direkt aus dem Standard-Messmodus heraus).

* Befindet man sich in einem anderen Messmodus als dem Standard-Messmodus, ist die **MODE**-Taste mehrmals zu drücken bis der Messmodus mit der **Info-Bildschirm** im Display erscheint.

1	SerialNo:	0000-000
2	Version:	1.30 3.90
3	SensorNo:	OT11
4	P-Type:	rel
5	Class:	0.025
6	RangeStart:	0.00
7	RangeEnd:	1000.00
8	Cal-Dat.:	2011/02/16

Info-Bildschirm

- 1) Serien-Nummer des CPH6400
- 2) Aktuelle Firmware Version auf dem Gerät
- 3) Interne Sensornummer des aktuell angeschlossenen Sensors
- 4) Druckart des aktuell angeschlossenen Sensors
- 5) Genauigkeit in % FS des aktuell angeschlossenen Sensors
- 6) Messbereichsanfang des aktuell angeschlossenen Sensors
- 7) Messbereichsende des aktuell angeschlossenen Sensors
- 8) Kalibrierdatum des aktuell angeschlossenen Sensors



Rückkehr in den Standard-Messmodus durch mehrfaches Drücken der **MODE-Taste.**

6.5 Druckeinheiten

Mittels der **UNIT**-Taste kann abhängig vom Messbereich des aktuellen Drucksensors die Einheit: bar, mbar, kPa, psi, mmHg, inHg oder kg/cm² gewählt werden.

So oft die **UNIT**-Taste drücken bis die gewünschte Einheit angezeigt wird (ring-shift).

6.6 Messsignalaufbereitung

Der Standardwert des Filters für die Messsignalaufbereitung/Glättung liegt bei Faktor "3" und kann nur mittels WIKA PC-Software „PrintCal“ zwischen 1 bis 5 verändert werden.

1 = kein Filter, ... , 5 = hoher Filter

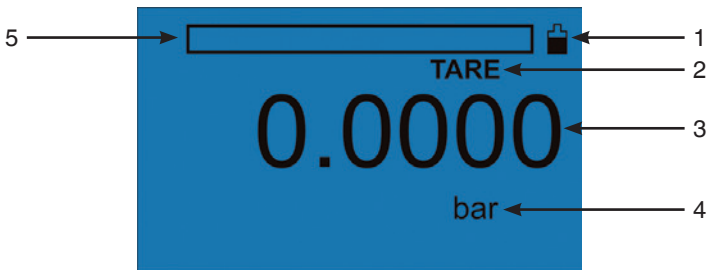
6.7 TARA-Funktion

Mittels der **TARE**-Taste lässt sich bei Überdrucksensoren im Messmodus eine Nullpunkt-korrektur vornehmen.

Aktivierung der TARA-Funktion

D

Drücken der **TARE**-Taste. Hierdurch wird die aktuelle Anzeige auf 0 gesetzt und alle Messungen werden von nun an relativ zu dem gesetzten **TARA**-Wert angezeigt. Der eingeblendete Schriftzug "**TARE**" direkt über dem Druckwert signalisiert die Aktivierung der Funktion. Erneutes drücken der **TARE**-Taste deaktiviert die **TARA**-Funktion.



Aktivierte TARA-Funktion

1. Ladestandsanzeige
2. Hinweis, dass die **TARA**-Funktion aktiv ist
3. Aktueller Druckmesswert
4. Aktuelle Einheit und Druckart
5. Bargraph

6.8 Die Funktionstaste „FUNC“

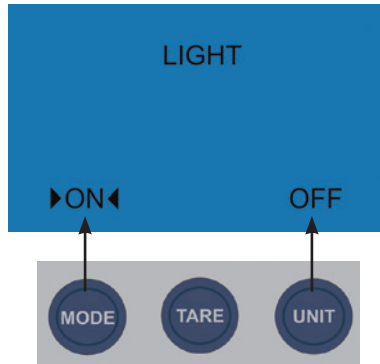
6.8.1 Hintergrundbeleuchtung (LIGHT)

Mittels der **FUNC**-Taste lassen sich diverse Konfigurationen vornehmen, z. B. die Hintergrundbeleuchtung ein- und ausschalten.

Aktivierung des Menüpunktes Hintergrundbeleuchtung (LIGHT)

1 x **FUNC**-Taste drücken* (direkt aus dem Messmodus heraus).

* Befindet man sich bereits in einem **FUNC**-Menüpunkt, **FUNC**-Taste bis zum Erscheinen des Menüpunktes "**LIGHT**" mehrmals drücken.



Im **FUNC**-Menüpunkt "**LIGHT**" kann die Hintergrundbeleuchtung mittels **MODE**-Taste eingeschaltet und mittels der **UNIT**-Taste wieder ausgeschaltet werden.



Rückkehr in den Standard-Messmodus durch mehrfaches Drücken der FUNC-Taste.

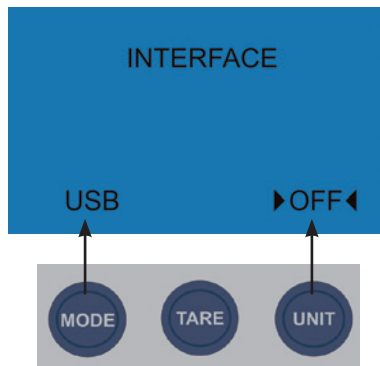
6.8.2 USB-Schnittstelle (**INTERFACE**)

Mittels der **FUNC**-Taste lassen sich diverse Konfigurationen vornehmen, z. B. die USB-Schnittstelle aktivieren oder deaktivieren.

Aktivierung des Menüpunktes USB-Schnittstelle (INTERFACE**)**

2 x **FUNC**-Taste drücken* (direkt aus dem Messmodus heraus).

* Befindet man sich bereits in einem **FUNC**-Menüpunkt, **FUNC**-Taste bis zum Erscheinen des Menüpunktes "**INTERFACE**" mehrmals drücken.



Im **FUNC**-Menüpunkt "**INTERFACE**" kann die USB-Schnittstelle mittels **MODE**-Taste aktiviert und mittels der **UNIT**-Taste wieder deaktiviert werden.

6. Inbetriebnahme, Betrieb

Die USB-Schnittstelle wird beim Ausschalten des CPH6400 deaktiviert. Um die USB-Schnittstelle erneut zu aktivieren, wie oben beschrieben vorgehen.



Als Kalibrier- und Auswertesoftware ist die WIKA PC-Software „PrintCal“ verfügbar.

D



Rückkehr in den Standard-Messmodus durch mehrfaches Drücken der FUNC-Taste.

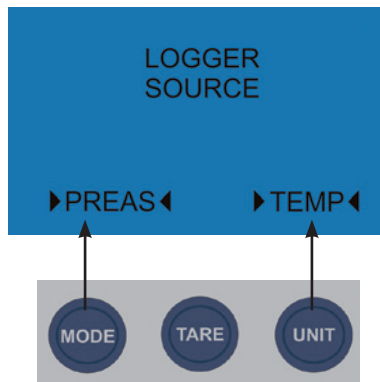
6.8.3 Datenquelle für Datenlogger (LOGGER SOURCE)

Mittels der **FUNC**-Taste lassen sich diverse Konfigurationen vornehmen, z. B. die Datenquelle für den Datenlogger auswählen.

Aktivierung des Menüpunktes Datenquelle für Datenlogger (LOGGER SOURCE)

3 x **FUNC**-Taste drücken* (direkt aus dem Messmodus heraus).

* Befindet man sich bereits in einem **FUNC**-Menüpunkt, **FUNC**-Taste bis zum Erscheinen des Menüpunktes "**LOGGER SOURCE**" mehrmals drücken.



Im **FUNC**-Menüpunkt "**LOGGER SOURCE**" kann die Datenquelle für den Datenlogger ausgewählt werden. Mittels **MODE**-Taste wird Druck "**PREAS**" und mittels der **UNIT**-Taste wird Temperatur "**TEMP**" gewählt.



Rückkehr in den Standard-Messmodus durch mehrfaches Drücken der FUNC-Taste.

6.8.4 Datenlogger (LOGGER)

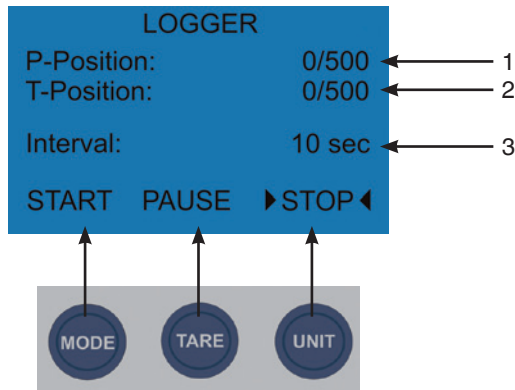
Mittels der **FUNC**-Taste lassen sich diverse Konfigurationen vornehmen, z. B. den integrierten Datenlogger bedienen.

Aktivierung des Menüpunktes Datenlogger (LOGGER)

4 x **FUNC**-Taste drücken* (direkt aus dem Messmodus heraus).

* Befindet man sich bereits in einem **FUNC**-Menüpunkt, **FUNC**-Taste bis zum Erscheinen des Menüpunktes "**LOGGER**" mehrmals drücken.

D



Im **FUNC**-Menüpunkt "**LOGGER**" kann die Datenaufzeichnung mittels **MODE**-Taste gestartet, mit der **TARE**-Taste unterbrochen und mittels der **UNIT**-Taste gestoppt werden.

1. Aktuell gespeicherte Punkte und max. Anzahl der möglichen Speicherpunkte bei Druck P-Position
2. Aktuell gespeicherte Punkte und max. Anzahl der möglichen Speicherpunkte bei Temperatur T-Position
3. Zykluszeit (via WIKA PC-Software „PrintCal“ veränderbar)



Rückkehr in den Standard-Messmodus durch mehrfaches Drücken der **FUNC-Taste.**



Für das Auslesen und Darstellen der gespeicherten Loggerdaten sowie die Konfiguration des Loggers existiert die WIKA PC-Software „PrintCal“. Außerdem lässt sich mittels „PrintCal“ die Zykluszeit (siehe Punkt: 3) von 1 ... 3600 Sekunden einstellen.

6.8.5 Anzeigauflösung (DIGITS)

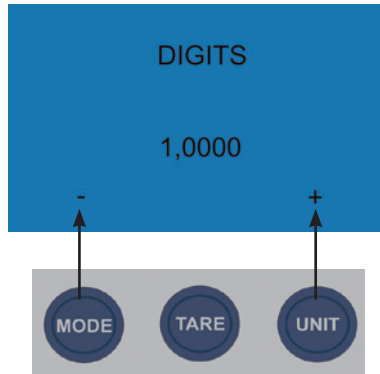
Mittels der **FUNC**-Taste lassen sich diverse Konfigurationen vornehmen, z. B. die Anzeigauflösung verstellen.

Aktivierung des Menüpunktes Anzeigauflösung (DIGITS)

5 x **FUNC**-Taste drücken* (direkt aus dem Messmodus heraus).

D

* Befindet man sich bereits in einem **FUNC**-Menüpunkt, **FUNC**-Taste bis zum Erscheinen des Menüpunktes "**DIGITS**" mehrmals drücken.



Im **FUNC**-Menüpunkt "**DIGITS**" kann die dargestellte Messwert-Auflösung mittels **MODE**-Taste vermindert und mittels der **UNIT**-Taste erhöht werden. Insgesamt sind bis zu 6 Stellen darstellbar.



Rückkehr in den Standard-Messmodus durch mehrfaches Drücken der **FUNC-Taste.**

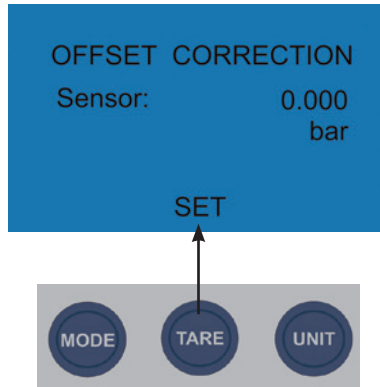
6.8.6 Nullpunktkorrektur (nur für Überdruckmessbereiche) (OFFSET CORRECTION)

Mittels der **FUNC**-Taste lassen sich diverse Konfigurationen vornehmen, z. B. die Nullpunktkorrektur von Überdrucksensoren.

Aktivierung des Menüpunktes Nullpunktkorrektur (OFFSET CORRECTION)

6 x **FUNC**-Taste drücken* (direkt aus dem Messmodus heraus).

* Befindet man sich bereits in einem **FUNC**-Menüpunkt, **FUNC**-Taste bis zum Erscheinen des Menüpunktes "**OFFSET CORRECTION**" mehrmals drücken.



Ist der Messwert des CPH6400 bei angeschlossenem Überdrucksensor und belüftetem Prüfaufbau ungleich Null, so kann der Nullpunkt mittels **FUNC**-Menüpunkt "**OFFSET CORRECTION**" bei Überdrucksensoren durch Drücken der **TARE**-Taste korrigiert werden.



Rückkehr in den Standard-Messmodus durch mehrfaches Drücken der FUNC-Taste.

7. Wartung, Reinigung und Rekalibrierung

7.1 Wartung

Dieses Präzisions-Hand-Held Druckmessgerät und seine Sensoren sind wartungsfrei. Reparaturen sind ausschließlich vom Hersteller durchzuführen.

7.2 Reinigung



VORSICHT!

- Vor der Reinigung das Präzisions-Hand-Held Druckmessgerät ordnungsgemäß von der Druckversorgung trennen, ausschalten und vom Netz trennen.
- Das Präzisions-Hand-Held Druckmessgerät mit einem feuchten Tuch reinigen.
- Elektrische Anschlüsse nicht mit Feuchtigkeit in Berührung bringen.
- Messstoffreste in ausgebauten Präzisions-Hand-Held Druckmessgerät oder Sensoren können zur Gefährdung von Personen, Umwelt und Einrichtung führen. Ausreichende Vorsichtsmaßnahmen ergreifen.



Hinweise zur Rücksendung des Präzisions-Hand-Held Druckmessgerätes siehe Kapitel „9.2 Rücksendung“.

7.3 Rekalibrierung

D

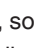
DKD/DAkkS-Schein - amtliche Bescheinigungen:

Es wird empfohlen, das Gerät in regelmäßigen Zeitabständen von ca. 12 Monaten durch den Hersteller rekalibrieren zu lassen. Jede werksseitige Rekalibrierung beinhaltet außerdem eine umfangreiche und kostenfreie Überprüfung aller Systemparameter auf Einhaltung der Spezifikationen. Die Grundeinstellungen werden wenn notwendig korrigiert.

8. Störungen

Anzeige	Ursache	Maßnahmen
low BAT	Die Akku-Ladekapazität ist kleiner 10 %.	Internen Akku mittels Ladegerät aufladen.
Sensor Overflow	Der aktuelle Druckwert ist außerhalb des Messbereiches vom Referenz-Drucksensor Typ CPT6400	Der Druck ist umgehend geeignet anzupassen.
Keine Anzeige bzw. wirre Zeichen, Gerät reagiert nicht auf Tastendruck	Funktionsstörungen während der Bedienung.	Gerät ausschalten und nach 5 Sekunden wieder einschalten.
Keine Anzeige	Das Gerät wird am PC nicht erkannt.	Prüfen, ob USB-Schnittstellenkabel korrekt angeschlossen und USB am CPH6400 aktiviert ist (Siehe Kapitel 6.8.2.)
Keine Anzeige	Nach dem Einschalten des Gerätes, erscheint nach 10 Sekunden kein Messwert, sondern der Bildschirm ist über die gesamte Fläche dunkel.	Internen Akku mittels Ladegerät aufladen.
	Der Bildschirm ist dunkel und der Akku lässt sich nicht mittels Ladegerät aufladen.	Überprüfen Sie, ob das Ladegerät richtig angeschlossen ist und lassen Sie durch autorisiertes Fachpersonal überprüfen, ob die Versorgungsspannung korrekt ist.

8.1 Auf Werkseinstellung zurücksetzen (RESET)

Können oben genannte Probleme nicht durch die empfohlenen Maßnahmen behoben werden, so kann durch das gleichzeitige Drücken der Tasten  und "FUNC" eine Rückstellung auf die Werkseinstellungen (**RESET**) vorgenommen werden.

Nach durchführen des "**RESET**" muss das CPH6400 ausgeschaltet und nach ca. fünf Sekunden wieder eingeschaltet werden.

D



VORSICHT!

Können Störungen mit Hilfe der oben aufgeführten Maßnahmen nicht beseitigt werden, ist das Gerät unverzüglich außer Betrieb zu setzen, sicherzustellen, dass kein Druck bzw. Signal mehr anliegt und gegen versehentliche Inbetriebnahme zu schützen. In diesem Fall Kontakt mit dem Hersteller aufnehmen. Bei notwendiger Rücksendung die Hinweise unter Kapitel „9.2 Rücksendung“ beachten.

9. Demontage, Rücksendung und Entsorgung



WARNUNG!

Messstoffreste in ausgebauten Präzisions-Hand-Held Druckmessgeräten oder Sensoren können zur Gefährdung von Personen, Umwelt und Einrichtung führen.

Ausreichende Vorsichtsmaßnahmen ergreifen.

9.1 Demontage

Den Temperaturfühler vor dem Ausbau ausreichend abkühlen lassen!

Präzisions-Hand-Held Druckmessgerät und Referenz-Drucksensor nur im drucklosen Zustand demontieren!

9.2 Rücksendung



WARNUNG!

Beim Versand des Präzisions-Hand-Held Druckmessgerätes und der Sensoren unbedingt beachten:

Alle an WIKA gelieferten Präzisions-Hand-Held Druckmessgeräte und Sensoren müssen frei von Gefahrstoffen (Säuren, Laugen, Lösungen, etc.) sein.

Zur Rücksendung des Präzisions-Hand-Held Druckmessgerätes und der Sensoren die Originalverpackung oder eine geeignete Transportverpackung verwenden.

Um Schäden zu vermeiden:

1. Das Präzisions-Hand-Held Druckmessgerät und die Sensoren in eine antistatische Plastikfolie einhüllen.
2. Das Präzisions-Hand-Held Druckmessgerät und die Sensoren mit dem Dämmmaterial in der Verpackung platzieren. Zu allen Seiten der Transportverpackung gleichmäßig dämmen.
- D** 3. Wenn möglich einen Beutel mit Trocknungsmittel der Verpackung beifügen.
4. Sendung als Transport eines hochempfindlichen Messgerätes kennzeichnen.

Dem Präzisions-Hand-Held Druckmessgerät und den Sensoren das Rücksendeformular ausgefüllt beifügen.



Das Rücksendeformular steht im Internet zur Verfügung:
www.wika.de / Service / Rücksendung

9.3 Entsorgung



WARNUNG!

Vor der Entsorgung des Präzisions-Hand-Held Druckmessgerätes, des Referenz-Drucksensors oder Temperaturfühlers alle anhaftenden Messstoffreste entfernen. Dies ist besonders wichtig, wenn der Messstoff gesundheitsgefährdend ist, wie z. B. ätzend, giftig, krebserregend, radioaktiv, usw.

Durch falsche Entsorgung können Gefahren für die Umwelt entstehen. Gerätekomponenten und Verpackungsmaterialien entsprechend den landesspezifischen Abfallbehandlungs- und Entsorgungsvorschriften umweltgerecht entsorgen.



Bei Geräten mit dieser Kennzeichnung wird darauf hingewiesen, dass diese nicht in den Hausmüll entsorgt werden dürfen. Die Entsorgung erfolgt durch Rücknahme bzw. durch entsprechende kommunale Stellen. Siehe Richtlinie 2002/96/EG.

10. Zubehör

Anschlussadapter

- Diverse Druckanschlussadapter
- Prozess-Schnellkupplungssystem „Minimes“

Anschlusskabel

- USB-Schnittstellenkabel

Druckerzeugung

- Pneumatische Prüfpumpen
- Hydraulische Prüfpumpen

Kalibrierkoffer

- Messkoffer
- Diverse Test- und Servicekoffer inkl. Druckerzeugung

Software

- Datenlogger-/Kalibriersoftware PrintCal

Stromversorgung

- Akku-Ladegerät

Temperaturfühler

- Pt100 Widerstandsthermometer

Sonstiges

- 2-Kanal-Version (Druck- und Temperaturmessung in einem Gerät)
- DKD/DAkkS-zertifizierte Genauigkeit



D

EG-Konformitätserklärung

EC Declaration of Conformity

Dokument Nr.:

11496721.02

Document No.:

11496721.02

Wir erklären in alleiniger Verantwortung, dass die mit CE gekennzeichneten Produkte

We declare under our sole responsibility that the CE marked products

Typ:

CPH6400

Model:

CPH6400

Beschreibung:

Präzisions-Hand-Held Druckmessgerät

Description:

Precision hand-held pressure indicator

gemäß gültigem Datenblatt:

CT 14.01

according to the valid data sheet:

CT 14.01

die grundlegenden Schutzanforderungen der folgenden Richtlinie(n) erfüllen:

2004/108/EG (EMV)

are in conformity with the essential protection requirements of the directive(s)

2004/108/EC (EMC)

Die Geräte wurden entsprechend den folgenden Normen geprüft:

EN 61326-1:2006

The devices have been tested according to the following standards:

EN 61326-1:2006

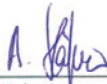
Unterschriftet für und im Namen von / Signed for and on behalf of

WIKAL Alexander Wiegand SE & Co. KG

Klingenberg, 2011-12-15

Geschäftsbereich / Company division: MP-CT

Qualitätsmanagement / Quality management : MP-CT



Alfred Häfner



Harald Hartl

Unterschrift, autorisiert durch das Unternehmen / Signature authorized by the company



EG-Konformitätserklärung

EC Declaration of Conformity

Dokument Nr.:

11600080.01

Wir erklären in alleiniger Verantwortung, dass die mit CE gekennzeichneten Produkte

Typ:

CPT6400

Beschreibung:

Transmitter
(für Hand-Held Druckmessgerät CPH6400)

gemäß gültigem Datenblatt:

CT 14.01

die grundlegenden Schutzanforderungen der folgenden Richtlinie(n) erfüllen:

97/23/EG (DGRL) ⁽¹⁾
2004/108/EG (EMV)

Die Geräte wurden entsprechend den folgenden Normen geprüft:

EN 61326-1:2006

(1) PS > 200 bar; Modul A, druckhaltendes Ausrüstungsteil

Document No.:

11600080.01

We declare under our sole responsibility that the CE marked products

Model:

CPT6400

Description:

Transmitter
(for Hand-Held Pressure Indicator CPH6400)

according to the valid data sheet:

CT 14.01

are in conformity with the essential protection requirements of the directive(s)

97/23/EC (PED) ⁽¹⁾
2004/108/EC (EMC)

The devices have been tested according to the following standards:

EN 61326-1:2006

(1) PS > 200 bar; Module A, pressure accessory

Unterzeichnet für und im Namen von / Signed for and on behalf of

WIKA Alexander Wiegand SE & Co. KG

Klingenberg, 2010-07-19

Geschäftsbereich / Company division: MP-CT

Qualitätsmanagement / Quality management: MP-CT


Alfred Häfner


Robert Bissert

Unterschrift, autorisiert durch das Unternehmen / Signature authorized by the company