

Operating instructions Betriebsanleitung

Gas density monitor, model GDM-63

EN

Gasdichtewächter, Typ GDM-63

DE



Gas density monitor

EN	Operating instructions model GDM-63	Page	3 - 22
-----------	--	-------------	---------------

DE	Betriebsanleitung Typ GDM-63	Seite	23 - 42
-----------	-------------------------------------	--------------	----------------

© 07/2021 WIKA Alexander Wiegand SE & Co. KG
All rights reserved. / Alle Rechte vorbehalten.
WIKA® is a registered trademark in various countries.
WIKA® ist eine geschützte Marke in verschiedenen Ländern.

Prior to starting any work, read the operating instructions!
Keep for later use!

Vor Beginn aller Arbeiten Betriebsanleitung lesen!
Zum späteren Gebrauch aufbewahren!

Contents

1. General information	4
2. Design and function	5
3. Safety	6
4. Transport, packaging and storage	11
5. Commissioning, operation	12
6. Faults	15
7. Maintenance, cleaning and recalibration	16
8. Dismounting, return and disposal	18
9. Specifications	19
10. Accessories	21

1. General information

- The instrument described in the operating instructions has been designed and manufactured using state-of-the-art technology. All components are subject to stringent quality and environmental criteria during production. Our management systems are certified to ISO 9001 and ISO 14001.
- These operating instructions contain important information on handling the instrument. Working safely requires that all safety instructions and work instructions are observed.
- Observe the relevant local accident prevention regulations and general safety regulations for the instrument's range of use.
- The operating instructions are part of the product and must be kept in the immediate vicinity of the instrument and readily accessible to skilled personnel at any time. Pass the operating instructions on to the next operator or owner of the instrument.
- Skilled personnel must have carefully read and understood the operating instructions prior to beginning any work.
- The general terms and conditions contained in the sales documentation shall apply.
- Subject to technical modifications.

2. Design and function

2.1 Overview



- ① Product label
- ② Electrical connection

2.2 Description

Switch contacts

The switch contacts permanently installed in the gas density monitor close or open at set limit values, depending on the switching function. Switching functions are: Normally closed, normally open, change-over contact.

The magnetic snap-action contacts are control switches which open or close connected electric circuits via a contact arm which is moved by the instrument pointer.

Optional recalibration valve

With regard to switchgear safety, asset protection and environmental protection, it is common to perform functional checks of the measuring instruments on a regular basis. Article 5 of EU regulation No. 517/2014 on fluorinated greenhouse gases, provides for checking of the leakage detection system at least every 6 years if it contains more than 22 kg SF₆ gas and the plant was commissioned after 01 January 2017. With the help of the optional, permanently welded recalibration valve, the gas density monitor can be shut off from the process and recalibrated without having to disassemble it. This not only reduces maintenance time but also minimises the risks of SF₆ gas emissions and potential leakages during recommissioning.

When connecting a test instrument (e.g. model ACS-10 or model BCS-10) to the recalibration valve, the gas density monitor is automatically disconnected from the gas compartment and a recalibration can be performed. The test instrument can then be disconnected from the recalibration valve and the connection to the gas compartment is re-established automatically.

The recalibration valve is also available as a retrofit solution for gas density monitors and other leakage detection systems already installed in the field, as model GLTC-CV, and can be mounted between the gas compartment and gas density monitor.

2.3 Scope of delivery

Cross-check scope of delivery with delivery note.

3. Safety

EN

3.1 Explanation of symbols



WARNING!

... indicates a potentially dangerous situation that can result in serious injury or death, if not avoided.



CAUTION!

... indicates a potentially dangerous situation that can result in light injuries or damage to property or the environment, if not avoided.



Information

... points out useful tips, recommendations and information for efficient and trouble-free operation.

3.2 Intended use

Wherever the gas density of SF₆ gas has to be indicated locally and, at the same time, circuits need to be switched, the model GDM-63 gas density monitor finds its use. Gas density monitors are modified contact pressure gauges, specially developed for the use of SF₆ gas. Temperature influences acting on the enclosed SF₆ gas are compensated by a compensation system.

The gas density monitors are specially designed for the respective application in switchgear (pure SF₆ gas, gas mixtures, calibration pressure, switch points ...). Before use, check whether this instrument is suitable for the intended application.

The insulation values (air gaps and creepage distances) are sized for the following ambient conditions in accordance with EN 61010-1:2010:

- Altitude up to 2,000 m
- Overvoltage category II
- Pollution degree 2
- Relative humidity: 0 ... 90 % non-condensing (per DIN 40040)
- The strength of the measuring instrument (enclosing non-metal parts) was tested with a reduced impact energy of 2 J corresponding to IK07 per EN 61010-1:2010. The IK code is included on the respective product label.

Only use the instrument in applications that lie within its technical performance limits (e.g. max. ambient temperature, material compatibility, ...).

→ For performance limits see chapter 9 “Specifications”.

This instrument is not permitted to be used in hazardous areas!

The instrument has been designed and built solely for the intended use described here, and may only be used accordingly.

The technical specifications contained in these operating instructions must be observed. Improper handling or operation of the instrument outside of its technical specifications requires the instrument to be taken out of service immediately and inspected by an authorised WIKA service engineer.

The manufacturer shall not be liable for claims of any type based on operation contrary to the intended use.

3.3 Improper use



WARNING!

Injuries through improper use

Improper use of the instrument can lead to hazardous situations and injuries.

- ▶ Refrain from unauthorised modifications to the instrument.
- ▶ Do not use the instrument within hazardous areas.

Any use beyond or different to the intended use is considered as improper use.

3.4 Responsibility of the operator

The instrument is used in the industrial sector. The operator is therefore responsible for legal obligations regarding safety at work.

The safety instructions within these operating instructions, as well as the safety, accident prevention and environmental protection regulations for the application area must be maintained.

The operator is obliged to maintain the product label in a legible condition.

To ensure safe working on the instrument, the operating company must ensure

- that suitable first-aid equipment is available and aid is provided whenever required.
- that the operating personnel are regularly instructed in all topics regarding work safety, first aid and environmental protection and know the operating instructions and, in particular, the safety instructions contained therein.
- that the instrument is suitable for the particular application in accordance with its intended use.
- that personal protective equipment is available.

3.5 Personnel qualification



WARNING!

Risk of injury should qualification be insufficient

Improper handling can result in considerable injury and damage to property.

- ▶ The activities described in these operating instructions may only be carried out by skilled personnel who have the qualifications described below.

Skilled personnel

Skilled personnel, authorised by the operator, are understood to be personnel who, based on their technical training, knowledge of measurement and control technology and on their experience and knowledge of country-specific regulations, current standards and directives, are capable of carrying out the work described and independently recognising potential hazards.

Specifically when using SF₆ gas

The plant operator must ensure that the handling of SF₆ gas is only carried out by a qualified company or by qualified persons who have been specially trained in accordance with IEC 62271-4 or IEC 60480, section 10.3.1.

3.6 Personal protective equipment

The personal protective equipment is designed to protect the skilled personnel from hazards that could impair their safety or health during work. When carrying out the various tasks on and with the instrument, the skilled personnel must wear personal protective equipment.

Follow the instructions displayed in the work area regarding personal protective equipment!

The requisite personal protective equipment must be provided by the operating company.



Safety goggles in accordance with EN 166, class 2, mechanical strength class S

Safety goggles must be worn during the entire period when working on hoses or gas containers (e.g. gas cylinders, tanks).

The safety goggles protect the eyes from any flying particles, escaping gas and liquid splashes.



Protective gloves against heat in accordance with EN ISO 13732-1 and against cold in accordance with EN ISO 13732-3

The protective gloves must be worn over the entire period when working on hoses, gas containers (e.g. gas cylinders, tanks) or components which heat up to over 60 °C [140 °F].

3.7 Handling of insulating gases and gas mixtures

SF₆ gas is a greenhouse gas which is listed in the Kyoto Protocol. SF₆ gas must not be released into the atmosphere, but must be collected in suitable containers.

Properties of insulating gases

- Colourless and odourless
- Chemically neutral
- Inert
- Not flammable
- Heavier than air
- No toxicity
- No damage to the ozone layer

Detailed information is given in IEC 60376 and IEC 61634.

Danger of suffocation caused by insulating gases and gas mixtures

High concentrations of gases can lead to asphyxiation, since breathable air is displaced from the lungs with the inhalation of gas.

Since SF₆ gas is heavier than air, it collects, especially, at ground level or lower-lying rooms below the reference level (e.g. cellars). This is particularly dangerous since SF₆ gas is colourless and odourless and thus may be imperceptible to people.

3.8 Danger caused by decomposition products

Insulating gas in electrical systems may contain decomposition products generated by electric arcs:

- Gaseous sulphur fluorides
- Sulphur hexafluorides
- Solid and atomized metal fluorides, metal sulphides, metal oxides
- Hydrogen fluoride
- Sulphur dioxide

Decomposition products can be harmful to health.

- They can cause poisoning by inhalation, ingestion or contact with the skin.
- They may be irritating to the eyes, the respiratory system or the skin and burn them.
- Inhalation of large quantities may damage the lungs.

Observe the following safety instructions in order to avoid danger from insulating gas:

- Wear personal protective equipment.
- Read the material safety data sheet of the gas supplier.
- With large leakage, evacuate the area quickly.
- Ensure good ventilation.
- Ensure the leak tightness of the equipment with a leak detector (e.g. model GIR-10).

3.9 Applicable standards and directives

Installation, assembly, commissioning:

- BGI 753 (SF₆ plants and equipment in Germany)
- IEC 62271-4 (Handling of SF₆ gas)
- IEC 60376 (New SF₆ gas, technical grade SF₆ gas)
- IEC 60480 (Used SF₆ gas)
- CIGRE report 276, 2005 (Practical SF₆ gas handling instructions)

Leakages during operation:

- IEC 60376 (New SF₆ gas, technical grade SF₆ gas)
- IEC 60480 (Used SF₆ gas)
- CIGRE 2002 ("SF₆ gas in the electrical industry")

Repair work and maintenance:

- IEC 62271-4 (Use and handling of SF₆ gas in high-voltage switchgear and controlgear)
- CIGRE 1991 (Handling of SF₆ gas)
- CIGRE report 276, 2005 (Practical SF₆ gashandling instructions)



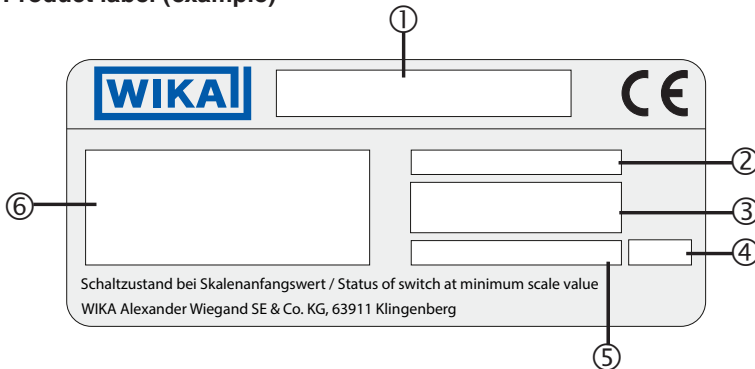
Information

SF₆ is a colourless and odourless, chemically neutral, inert and non-flammable gas which is approx. five times heavier than air, non-toxic and not harmful to the ozone layer.

Detailed information is given in IEC 60376 and IEC 61634.

3.10 Labelling, safety marks

Product label (example)



- ① Model designation
- ② Model designation of the switch contact
- ③ Switching thresholds
- ④ Date of manufacture
- ⑤ P# product number
- ⑥ Pin assignment

4. Transport, packaging and storage

4.1 Transport

Check the instrument for any damage that may have been caused by transport. Obvious damage must be reported immediately.



CAUTION!

Damage through improper transport

With improper transport, a high level of damage to property can occur.

- ▶ When unloading packed goods upon delivery as well as during internal transport, proceed carefully and observe the symbols on the packaging.
- ▶ With internal transport, observe the instructions in chapter 4.2 “Packaging and storage”.

4.2 Packaging and storage

Do not remove packaging until just before mounting.

Keep the packaging as it will provide optimum protection during transport (e.g. change in installation site, sending for repair).



WARNING!

Physical injuries and damage to property and the environment caused by hazardous decomposition products

Before storing the instrument, any residual decomposition products must be removed.

- ▶ For cleaning, see chapter 7.2 “Cleaning”

Permissible conditions at the place of storage:

- Storage temperature: -50 ... +60 °C [-58 ... +140 °F]
- Humidity: ≤ 90 % r. h. (non-condensing)

Avoid exposure to the following factors:

- Soot, vapour, dust and corrosive gases
- Hazardous environments, flammable atmospheres

Store the instrument in its original packaging in a location that fulfils the conditions listed above. If the original packaging is not available, pack and store the instrument as described below:

1. Place the instrument, along with the shock-absorbent material, in the packaging.
2. If stored for a prolonged period of time (more than 30 days), place a bag containing a desiccant inside the packaging.

5. Commissioning, operation

5.1 Mechanical mounting



CAUTION!

Physical injuries and damage to property and the environment through faulty instrument

Prior to commissioning, the instrument must be subjected to a visual inspection. Only use the instrument if it is in perfect condition with respect to safety.

EN

5.1.1 Requirements for the installation point

- For outdoor applications, the selected installation location has to be suitable for the specified ingress protection, so that the instrument is not exposed to impermissible weather conditions.
- The sealing faces at the instrument and at the measuring location have to be undamaged and clean.

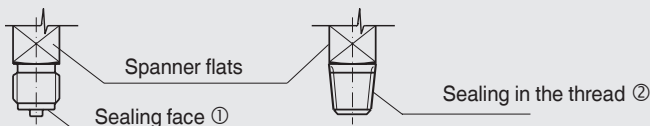
The measuring instruments must be mounted in the common mounting position per EN 837-1, with a max. permissible incline of 5° on all sides.

5.1.2 Installation

- With transport or storage, it can occur that gas density monitors warm up or cool down and this results in pointer movements. These pointer movements are caused by the compensation system. To make sure that the instruments have adapted sufficiently to ambient temperature, at least 2 hours at 20 °C [68 °F] must be allowed for adaptation to the temperature. Then, in the depressurised state, the pointer will sit within the tolerance bar.
- Corresponding to the general technical rules for pressure gauges (e.g. EN 837-2 “Selection and installation recommendations for pressure gauges”) when screwing in the instrument, the force required to do this must not be applied through the case, but only through the spanner flats provided for this purpose and using a suitable tool.
- When screwing in, do not tilt the threads.

For parallel threads, use flat gaskets, lens-type sealing rings or WIKA profile sealings at the sealing face ①. With tapered threads (e.g. NPT threads), sealing is made in the threads ②, using a suitable sealing material (EN 837-2).

The tightening torque depends on the sealing used. In order to orientate the measuring instrument so that it can be read as well as possible, a connection with LH-RH adjusting nut or union nut should be used. When a blow-out device is fitted to an instrument, it must be protected against being blocked by debris and dirt.



5. Commissioning, operation

5.1.3 Temperature load

The installation of the instrument should be made in such a way that the operating temperature, also considering the effects of convection and thermal radiation, neither exceeds nor falls below the permissible limits.

The influence of temperature on the indication and measurement accuracy must be observed.

5.2 Electrical mounting

- The instrument must be grounded via the process connection.
- For cable outlets, make sure that no moisture enters at the cable end.
- Connection details and switching functions are given on the product label. Connection terminals and ground terminal are appropriately marked.

5.2.1 Limit values for the contact load with resistive load

Limit values	
Maximum rated operating voltage U_{eff}	AC 250 V
Rated operating current	
Switch-on current	1 A
Switch-off current	1 A
Continuous current	0.6 A
Maximum switching power	30 W, 50 VA

Do not exceed the limit values. In order to permanently ensure safe operation, the following load values are recommended:

Voltage (per IEC 38)	Resistive load		Inductive load
	DC	AC	$\cos \varphi > 0.7$
230 V	100 mA	120 mA	65 mA
110 V	200 mA	240 mA	130 mA
48 V	300 mA	450 mA	200 mA
24 V	400 mA	600 mA	250 mA

The switching current must not be less than 20 mA with low voltages for switching reliability reasons.



For higher loads, and for instruments with liquid-filled cases, WIKA model 905.1X contact protection relays are recommended.

5. Commissioning, operation

Overcurrent protectors

The instruments do not provide for incorporated overcurrent protectors. Should protectors be required, the following values in accordance with EN 60947-5-1 are to be recommended.

- Voltage 24 V: 2 A
- Voltage 250 V: 1 A

EN

5.2.2 Contact protection measures

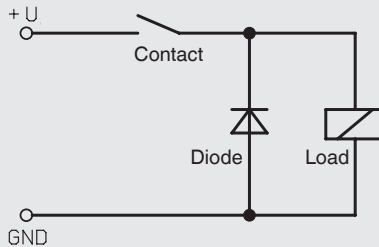
Mechanical contacts must not exceed the specified electrical values for switching current, switching voltage and switching power independent of each other, not even for a short time only.

For capacitive or inductive loads we recommend one of the following protective circuits:

Inductive load with DC voltage

With DC voltage the contact protection can be achieved via a free-wheeling diode, connected in parallel to the load. The polarity of the diode must be arranged so that it closes when the operating voltage is on.

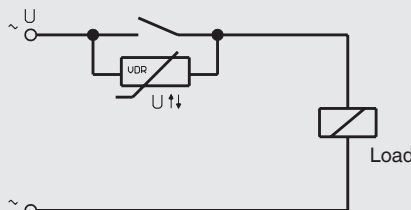
Example:
Contact protection measure with free-wheeling diode



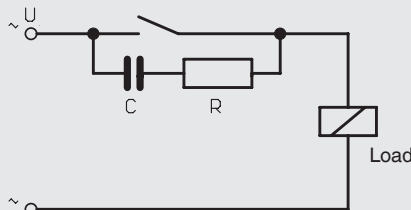
Inductive load with AC voltage

With AC voltage two protective measures are possible:

Example:
Contact protection measure with voltage-dependent VDR resistor



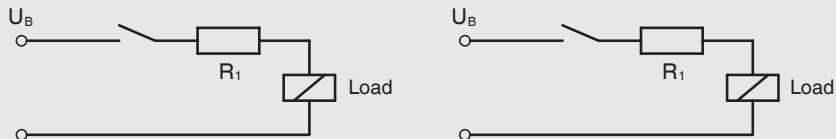
Example:
Contact protection measure with RC element



Capacitive load

With capacitive loads elevated switch-on currents arise. These can be reduced by series-connecting resistors in the supply line.

Examples: Contact protection measure with current-limiting resistor



EN

5.3 Switch point setting

The switch points have a fixed setting as standard and cannot be adjusted. Thus, an undesired adjustment of the switch points is excluded.



6. Faults



CAUTION!

Physical injuries and damage to property and the environment

If faults cannot be eliminated by means of the listed measures, the instrument must be taken out of operation immediately.

- ▶ Ensure that pressure or signal is no longer present and protect against accidental commissioning.
- ▶ Contact the manufacturer.
- ▶ If a return is needed, please follow the instructions given in chapter 9.2 "Return".



For contact details see chapter 1 "General information" or the back page of the operating instructions.

EN

Faults	Causes	Measures
Contact is no longer switching in accordance with the specification	Electrical connection is interrupted	Carry out a continuity test on the electrical connection leads
	Electrical load unsuitable for the switch contact model	Maintain the permissible electrical loads for the switch contact model
	Contact contaminated	
Switching status remains unchanged despite reaching the switch point/ reset point	Contacts defective (e.g. fused contact zone)	Replace instrument. Before recommissioning the new instrument, provide a protective circuit for the contact
No pointer movement despite change in pressure	Movement blocked	Replace instrument
Pointer movement, even though depressurised	Warming or cooling of the measuring instrument (no damage)	Let the instrument settle for 2 hours at 20 °C [68 °F]

For claims, the serial and product numbers must be stated. The serial number is printed on the dial, the product number on the product label. With claims, the atmospheric pressure and the temperature during the measurement must be given, as well as the data on the reference standard (model, class).

7. Maintenance, cleaning and recalibration

7.1 Maintenance

These gas density monitors are maintenance-free.

The indicator and switching function should be checked once or twice every year. For this the instrument must be disconnected from the gas compartment to check with a pressure testing device.

Repairs must only be carried out by the manufacturer.

The instruments must not be opened, since this can lead to indication and switch point errors.

7.2 Cleaning



CAUTION!

Physical injuries and damage to property and the environment

Improper cleaning may lead to physical injuries and damage to property and the environment. Decomposition products in the dismantled instrument can result in a risk to persons, the environment and equipment.

- ▶ Carry out the cleaning process as described below.

7. Maintenance, cleaning and recalibration

EN

1. Before cleaning, correctly disconnect the instrument from the pressure supply and switch off the current.
2. Use the requisite protective equipment.
3. Clean the instrument with a moist cloth.
Electrical connections must not come into contact with moisture!



CAUTION!

Damage to the instrument

Improper cleaning may lead to damage to the instrument!

- ▶ Do not use any aggressive cleaning agents.
- ▶ Do not use any hard or pointed objects for cleaning.

4. Wash or clean the dismantled instrument, in order to protect people and the environment from exposure to residual decomposition products.



Information on returns can be found under the heading “Service” on our local website.

7.3 Calibration

With regard to switchgear safety, asset protection and environmental protection, it is common to perform functional checks of the measuring instruments on a regular basis.

Article 5 of EU regulation No. 517/2014 on fluorinated greenhouse gases, provides for checking of the leakage detection system at least every 6 years if it contains more than 22 kg SF₆ gas and the plant was commissioned after 01 January 2017.

With the help of the optional, permanently welded recalibration valve, the gas density monitor can be shut off from the process and recalibrated without having to disassemble it. This not only reduces maintenance time but also minimises the risks of SF₆ gas emissions and potential leakages during recommissioning.

When connecting a test instrument (e.g. model ACS-10 or model BCS-10) to the recalibration valve, the gas density monitor is automatically disconnected from the gas compartment and a recalibration can be performed. The test instrument can then be disconnected from the recalibration valve and the connection to the gas compartment is re-established automatically.

The recalibration valve is also available as a retrofit solution for gas density monitors and other leakage detection systems already installed in the field, as model GLTC-CV, and can be mounted between the gas compartment and gas density monitor.

Calibration of the gas density monitor with test connection and shut-off valve



CAUTION!

Discontinuity in the monitoring function

During calibration, the gas density monitor must be isolated from the gas compartment being monitored. In the event of a leakage, no alarm will be able to be given.

- ▶ After calibration, remove the recalibration instrument used (e.g. model ACS-10 or BCS-10) from the calibration connection again.

EN

Tightening torque, test connection: 40 Nm \pm 10 %

1. Connect the test gas and test standard with the test connection.
 - Gas density monitor is isolated from the gas compartment.
2. Make the calibration.
3. Isolate the test gas and test standard from the test connection.
 - Gas density monitor is connected to the gas compartment.

8. Dismounting, return and disposal

8.1 Dismounting



WARNING!

Physical injuries and damage to property and the environment caused by hazardous decomposition products

Upon contact with hazardous decomposition products, there is a danger of physical injuries and damage to property and the environment.

- ▶ Wear the requisite protective equipment (see chapter 3.6 “Personal protective equipment”).

Before dismantling the instrument, evacuate the gas filling.

Only dismount the instrument when it is depressurised and free from current.

8.2 Return



WARNING!

Strictly observe the following when shipping the instrument:

All instruments delivered to WIKA must be free from any kind of hazardous substances (e.g. decomposition products) and must therefore be cleaned before being returned.

When returning the instrument, use the original packaging or a suitable transport packaging.

To avoid damage:

1. Place the instrument, along with the shock-absorbent material, in the packaging.
Place shock-absorbent material evenly on all sides of the transport packaging.
2. If possible, place a bag containing a desiccant inside the packaging.



Information on returns can be found under the heading “Service” on our local website.

EN

8.3 Disposal

Incorrect disposal can put the environment at risk.

Dispose of instrument components and packaging materials in an environmentally compatible way and in accordance with the country-specific waste disposal regulations.

9. Specifications

Specifications	
Nominal size	63
Calibration pressure P_E	To customer specification
Accuracy specifications	±1 % at an ambient temperature of 20 °C [68 °F] ±2.5 % at an ambient temperature of -20 ... +60 °C [-4 ... +140 °F] and with calibration pressure in accordance with reference isochore (reference diagram KALI-Chemie AG, Hanover, prepared by Dr. Döring 1979)
Scale range	<ul style="list-style-type: none"> ■ -1 ... +1 bar ■ -1 ... +3 bar
Permissible ambient temperature	
Operation	-20 ... +60 °C [-4 ... +140 °F], gaseous phase
Storage	-50 ... +60 °C [-58 ... +140 °F]
Process connection	G ¼ B per EN 837, back mount Stainless steel, spanner flats 14 mm
Pressure element	Stainless steel, welded Gas-tight: Leakage rate ≤ 1 · 10 ⁻⁸ mbar · l / s Test method: Helium mass spectrometry
Movement	Stainless steel Bimetal link (temperature compensation)
Dial	Aluminium The scale range is subdivided into red, yellow and green ranges
Pointer	Aluminium, black

9. Specifications

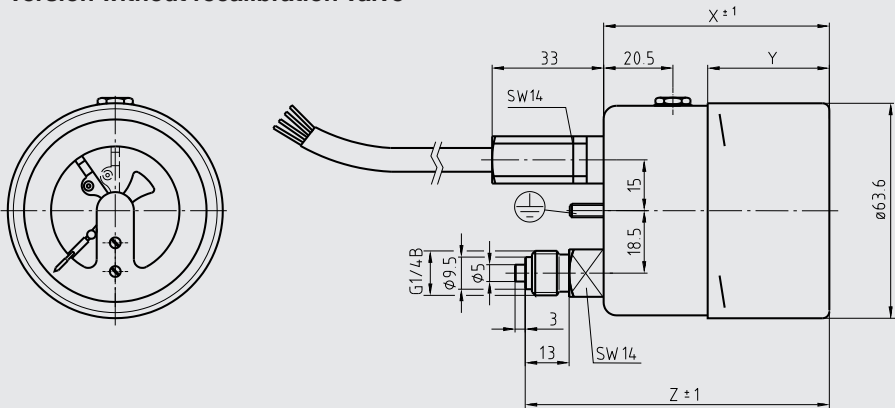
Specifications	
Case	<ul style="list-style-type: none"> ■ Stainless steel, with gas filling ■ Stainless steel, with filling liquid Gas-tight: Leakage rate $\leq 1 \cdot 10^{-5}$ mbar · l / s
Window	Laminated safety glass or clear non-splintering plastic
Ring	Bayonet ring, stainless steel, secured by means of 3 welding spots
Permissible air humidity	≤ 90 % r. h. (non-condensing)
Ingress protection	IP65 per IEC60529
Weight	
With gas filling	Approx. 0.8 kg
With fill fluid	Approx. 1.2 kg
High-voltage test 100 %	2 kV, 50 Hz, 1 s
Electrical connection	Cable outlet, length 1 m Cable bushing from glass
Number of switch contacts	1 or 2 magnetic snap-action contacts
Switching directions	Falling pressure or rising pressure
Switching functions	Normally open, normally closed or change-over contact
Circuits	Galvanically connected (not for change-over contact) or galvanically isolated
Switching accuracy	
Switch point = calibration pressure P_E	See accuracy specifications
Switch point \neq calibration pressure P_E	Parallel to the reference isochore of the calibration pressure
Max. switching voltage	AC 250 V
Switching power	With gas filling: 30 W / 50 VA, max. 1 A With fill fluid: 20 W / 20 VA, max. 1 A
Material of switch contacts	80 % Ag / 20 % Ni, gold-plated

For further specifications, see the order documentation.

EN


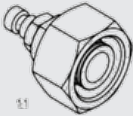
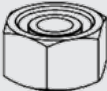

Dimensions in mm

Version without recalibration valve



EN

10. Accessories

Description		Order number
	Recalibration valve for retrofitting to gas density monitors and other leakage detection systems already installed in the field, model GLTC-CV Any arrangement of the test valve possible Other process connections on request	See WIKA data sheet SP 61.16
	Adapter from test connection (M26 x 1.5) to quick coupling	14146937
	Protective cap for test connection (M26 x 1.5)	14193772
	Calibration system for SF ₆ gas density measuring instruments	See WIKA data sheet SP 60.08



Inhalt

1. Allgemeines	24
2. Aufbau und Funktion	25
3. Sicherheit	26
4. Transport, Verpackung und Lagerung	31
5. Inbetriebnahme, Betrieb	32
6. Störungen	36
7. Wartung, Reinigung und Rekalibrierung	37
8. Demontage, Rücksendung und Entsorgung	39
9. Technische Daten	40
10. Zubehör	42

1. Allgemeines

- Das in der Betriebsanleitung beschriebene Gerät wird nach dem aktuellen Stand der Technik konstruiert und gefertigt. Alle Komponenten unterliegen während der Fertigung strengen Qualitäts- und Umweltkriterien. Unsere Managementsysteme sind nach ISO 9001 und ISO 14001 zertifiziert.
- Diese Betriebsanleitung gibt wichtige Hinweise zum Umgang mit dem Gerät. Voraussetzung für sicheres Arbeiten ist die Einhaltung aller angegebenen Sicherheitshinweise und Handlungsanweisungen.
- Die für den Einsatzbereich des Gerätes geltenden örtlichen Unfallverhütungsvorschriften und allgemeinen Sicherheitsbestimmungen einhalten.
- Die Betriebsanleitung ist Produktbestandteil und muss in unmittelbarer Nähe des Gerätes für das Fachpersonal jederzeit zugänglich aufbewahrt werden. Betriebsanleitung an nachfolgende Benutzer oder Besitzer des Gerätes weitergeben.
- Das Fachpersonal muss die Betriebsanleitung vor Beginn aller Arbeiten sorgfältig durchgelesen und verstanden haben.
- Es gelten die allgemeinen Geschäftsbedingungen in den Verkaufsunterlagen.
- Technische Änderungen vorbehalten.

2. Aufbau und Funktion

2.1 Überblick



- ① Typenschild
- ② Elektrischer Anschluss

2.2 Beschreibung

Schaltkontakte

Die im Gasdichtewächter fest eingebauten Schaltkontakte schließen oder öffnen bei eingestellten Grenzwerten je nach Schaltfunktion. Schaltfunktionen sind: Öffner, Schließer, Wechsler.

Die Magnetspringkontakte sind Hilfsstromschalter, die angeschlossene elektrische Stromkreise über einen vom Gerätezeiger bewegten Kontaktarm öffnen oder schließen.

Optionales Rekalibrierventil

In Bezug auf Schaltanlagensicherheit, Objektschutz und Umweltschutz ist es üblich, eine regelmäßige Funktionsprüfung der Messgeräte durchzuführen. Artikel 5 der EU-Verordnung Nr. 517/2014 über fluorierte Treibhausgase sieht eine Kontrolle des Leckage-Erkennungssystems rechtlich verpflichtend mindestens alle 6 Jahre vor, falls mehr als 22 kg SF₆-Gas enthalten sind und die Anlage nach dem 1. Januar 2017 in Betrieb genommen wurde.

Mit Hilfe des optionalen fest angeschweißten Rekalibrierventiles kann der Gasdichtewächter vom Prozess abgesperrt und rekalibriert werden, ohne diesen demontieren zu müssen. Dies reduziert neben der Wartungszeit auch die Gefahr durch Emissionen von SF₆-Gas und mögliche Leckagen bei der Wiederinbetriebnahme. Beim Anschluss eines Prüfgerätes (z.B. Typ ACS-10 oder Typ BCS-10) an das Rekalibrierventil, wird der Gasdichtewächter automatisch vom Gasraum getrennt und es kann eine Rekalibrierung erfolgen. Anschließend kann das Prüfgerät vom Rekalibrierventil abgekoppelt werden und die Verbindung zum Gasraum wird wieder automatisch hergestellt.

Das Rekalibrierventil ist auch als Nachrüstlösung für bereits im Feld installierte Gasdichtewächter und andere Leckageerkennungssysteme als Typ GLTC-CV verfügbar und kann zwischen den Gasraum und Gasdichtewächter montiert werden.

2.3 Lieferumfang

Lieferumfang mit dem Lieferschein abgleichen.

3. Sicherheit

DE

3.1 Symbolerklärung



WARNUNG!

... weist auf eine möglicherweise gefährliche Situation hin, die zum Tod oder zu schweren Verletzungen führen kann, wenn sie nicht gemieden wird.



VORSICHT!

... weist auf eine möglicherweise gefährliche Situation hin, die zu geringfügigen oder leichten Verletzungen bzw. Sach- und Umweltschäden führen kann, wenn sie nicht gemieden wird.



Information

... hebt nützliche Tipps und Empfehlungen sowie Informationen für einen effizienten und störungsfreien Betrieb hervor.

3.2 Bestimmungsgemäße Verwendung

Überall dort, wo die Gasdichte von SF₆-Gas vor Ort angezeigt werden muss und gleichzeitig Stromkreise geschaltet werden sollen, findet der Gasdichtewächter Typ GDM-63 seinen Einsatz.

Gasdichtewächter sind abgewandelte Kontaktmanometer, die speziell für die Verwendung von SF₆-Gas entwickelt wurden. Temperatureinflüsse die auf das eingeschlossene SF₆-Gas wirken, werden durch ein Kompensationssystem ausgeglichen.

Die Gasdichtewächter sind speziell für den jeweiligen Einsatzfall in der Schaltanlage ausgelegt (reines SF₆-Gas, Gasgemische, Eichdruck, Schaltpunkte...). Vor der Verwendung überprüfen, ob das vorliegende Gerät für den vorgesehenen Einsatzfall geeignet ist.

Die Isolationswerte (Luft - und Kriechstrecken) sind gemäß EN 61010-1:2010 für folgende Umgebungsbedingungen bemessen:

- Höhenlage bis 2.000 m
- Überspannungskategorie II
- Verschmutzungsgrad 2
- Relative Feuchte: 0 ... 90 % nicht betauend (nach DIN 40040)
- Die Festigkeit des Messgerätes (umhüllende, nicht metallische Teile) ist mit einer verringerten Schlagenergie von 2 J entsprechend IK07 gemäß EN 61010-1:2010 getestet worden. Der IK-Code ist dem jeweiligen Typenschild zu entnehmen.

Das Gerät nur in Anwendungen verwenden, die innerhalb seiner technischen Leistungsgrenzen liegen (z. B. max. Umgebungstemperatur, Materialverträglichkeit, ...).

→ Leistungsgrenzen siehe Kapitel 9 „Technische Daten“.

Dieses Gerät ist nicht für den Einsatz in explosionsgefährdeten Bereichen zugelassen!

Das Gerät ist ausschließlich für den hier beschriebenen bestimmungsgemäßen Verwendungszweck konzipiert und konstruiert und darf nur dementsprechend verwendet werden.

Die technischen Spezifikationen in dieser Betriebsanleitung sind einzuhalten. Eine unsachgemäße Handhabung oder ein Betreiben des Gerätes außerhalb der technischen Spezifikationen macht die sofortige Stilllegung und Überprüfung durch einen autorisierten WIKA-Servicemitarbeiter erforderlich.

Ansprüche jeglicher Art aufgrund von nicht bestimmungsgemäßer Verwendung sind ausgeschlossen.

3.3 Fehlgebrauch



WARNUNG!

Verletzungen durch Fehlgebrauch

Fehlgebrauch des Gerätes kann zu gefährlichen Situationen und Verletzungen führen.

- ▶ Eigenmächtige Umbauten am Gerät unterlassen.
- ▶ Gerät nicht in explosionsgefährdeten Bereichen einsetzen.

Jede über die bestimmungsgemäße Verwendung hinausgehende oder andersartige Benutzung gilt als Fehlgebrauch.

3.4 Verantwortung des Betreibers

Das Gerät wird im gewerblichen Bereich eingesetzt. Der Betreiber unterliegt daher den gesetzlichen Pflichten zur Arbeitssicherheit.

Die Sicherheitshinweise dieser Betriebsanleitung, sowie die für den Einsatzbereich des Gerätes gültigen Sicherheits-, Unfallverhütungs- und Umweltschutzvorschriften einhalten.

Der Betreiber ist verpflichtet das Typenschild lesbar zu halten.

Für ein sicheres Arbeiten am Gerät muss der Betreiber sicherstellen,

- dass eine entsprechende Erste-Hilfe-Ausrüstung vorhanden ist und bei Bedarf jederzeit Hilfe zur Stelle ist.
- dass das Bedienpersonal regelmäßig in allen zutreffenden Fragen von Arbeitssicherheit, Erste Hilfe und Umweltschutz unterwiesen wird, sowie die Betriebsanleitung und insbesondere die darin enthaltenen Sicherheitshinweise kennt.
- dass das Gerät gemäß der bestimmungsgemäßen Verwendung für den Anwendungsfall geeignet ist.
- dass die persönliche Schutzausrüstung verfügbar ist.

DE

3.5 Personalqualifikation



WARNUNG!

Verletzungsgefahr bei unzureichender Qualifikation

Unsachgemäßer Umgang kann zu erheblichen Personen- und Sachschäden führen.

- ▶ Die in dieser Betriebsanleitung beschriebenen Tätigkeiten nur durch Fachpersonal nachfolgend beschriebener Qualifikation durchführen lassen.

Fachpersonal

Das vom Betreiber autorisierte Fachpersonal ist aufgrund seiner fachlichen Ausbildung, seiner Kenntnisse der Mess- und Regelungstechnik und seiner Erfahrungen sowie Kenntnis der landesspezifischen Vorschriften, geltenden Normen und Richtlinien in der Lage, die beschriebenen Arbeiten auszuführen und mögliche Gefahren selbstständig zu erkennen.

Speziell beim Einsatz von SF₆-Gas

Der Betreiber muss sicherstellen, dass die Handhabung von SF₆-Gas durch ein hierzu qualifiziertes Unternehmen oder von gemäß IEC 62271-4 bzw. IEC 60480 Abschnitt 10.3.1 geschulten Mitarbeitern durchgeführt wird.

3.6 Persönliche Schutzausrüstung

Die persönliche Schutzausrüstung dient dazu, das Fachpersonal gegen Gefahren zu schützen, die dessen Sicherheit oder Gesundheit bei der Arbeit beeinträchtigen könnten. Beim Ausführen der verschiedenen Arbeiten an und mit dem Gerät muss das Fachpersonal persönliche Schutzausrüstung tragen.

Im Arbeitsbereich angebrachte Hinweise zur persönlichen Schutzausrüstung befolgen!

Die erforderliche persönliche Schutzausrüstung muss vom Betreiber zur Verfügung gestellt werden.



Schutzbrille nach EN 166 Klasse 2, mechanische Festigkeit Klasse S

Die Schutzbrille muss bei Arbeiten an Schläuchen oder Gasbehältern (z. B. Gaszylinder, Tanks) über die gesamte Dauer hinweg getragen werden. Die Schutzbrille schützt die Augen vor umherfliegenden Teilen, austretendem Gas und Flüssigkeitsspritzern.



Schutzhandschuhe gegen Wärme nach EN ISO 13732-1 und gegen Kälte nach EN ISO 13732-3

Die Schutzhandschuhe müssen bei Arbeiten an Schläuchen, Gasbehältern (z. B. Gaszylinder, Tanks) oder Teilen die sich auf über 60 °C [140 °F] erwärmen über die gesamte Dauer hinweg getragen werden.

DE

3.7 Umgang mit Isoliergasen und Gasgemischen

SF₆-Gas ist ein Treibhausgas, das im Kyoto-Protokoll gelistet ist. Das SF₆-Gas darf nicht in die Atmosphäre gelangen, sondern muss in geeigneten Behältern gesammelt werden.

Eigenschaften von Isoliergasen

- Farb- und geruchlos
- Chemisch neutral
- Inert
- Nicht entflammbar
- Schwerer als Luft
- Keine Toxizität
- Nicht ozonschädigend

Detaillierte Angaben befinden sich in der IEC 60376 und IEC 61634.

Erstickungsgefahr durch Isoliergase und Gasgemische

Hohe Konzentrationen von Gasen können zur Erstickung führen, da beim Einatmen von Gas die Atemluft aus den Lungen verdrängt wird.

Da SF₆-Gas schwerer ist als Luft, sammelt es sich insbesondere in Bodennähe oder tiefer gelegenen Räumen unterhalb des Bezugsniveaus an (z. B. Kellerräume). Dies ist besonders gefährlich, da SF₆-Gas farb- und geruchlos ist und somit vom Menschen nicht wahrgenommen wird.

3.8 Gefährdung durch Zersetzungsprodukte

Isoliergas in elektrischen Anlagen kann durch Lichtbogeneinwirkung Zersetzungsprodukte enthalten:

- Gasförmige Schwefelfluoride
- Schwefeloxyfluoride
- Feste staubförmige Metallfluoride, -sulfide und -oxide
- Fluorwasserstoff
- Schwefeldioxid

Zersetzungsprodukte können gesundheitsschädlich sein.

- Durch Einatmen, Verschlucken oder Hautberührung kann es zu einer Vergiftung kommen.
- Augen, Atmungsorgane oder die Haut kann gereizt und verätzt werden.
- Durch Einatmen größerer Mengen kann die Lunge geschädigt werden.

DE

Folgende Sicherheitshinweise beachten, um Gefahren durch Isoliergas zu vermeiden:

- Persönliche Schutzausrüstung tragen.
- Das Sicherheitsdatenblatt des Gaslieferanten lesen.
- Bei großen Leckagen schnell den Ort verlassen.
- Für gute Belüftung sorgen.
- Dichtigkeit der Betriebsmittel mit Lecksuchgerät sicherstellen (z. B. Typ GIR-10).

3.9 Geltende Normen und Richtlinien für SF₆-Gas Installation, Errichtung, Inbetriebnahme:

- BGI 753 (SF₆-Anlagen und Betriebsmittel in Deutschland)
- IEC 62271-4 (Handhabung von SF₆-Gas)
- IEC 60376 (neues SF₆-Gas, technisches SF₆-Gas)
- IEC 60480 (gebrauchtes SF₆-Gas)
- CIGRE report 276, 2005 (Practical SF₆ gas handling instructions)

Leckagen während des Betriebs:

- IEC 60376 (neues SF₆-Gas, technisches SF₆-Gas)
- IEC 60480 (gebrauchtes SF₆-Gas)
- CIGRE 2002 („SF₆ gas in the electrical industry“)

Reparaturarbeiten und Wartung:

- IEC 62271-4 (Use and handling of SF₆ gas in high-voltage switchgear and controlgear)
- CIGRE 1991 (Handhabung von SF₆-Gas)
- CIGRE report 276, 2005 (Practical SF₆ gas handling instructions)

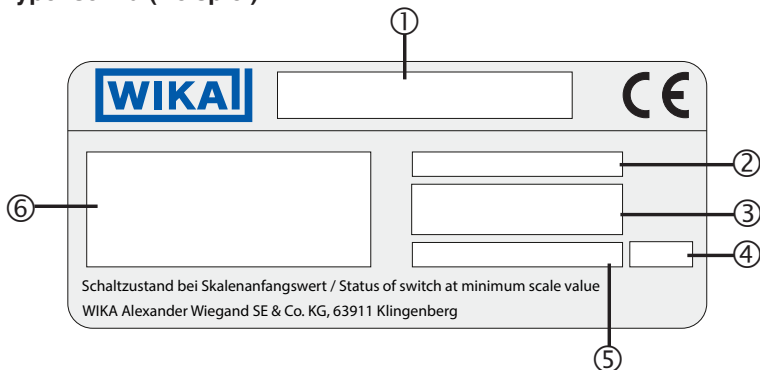


Information

SF₆-Gas ist farb- und geruchlos, chemisch neutral, inert, nicht entflammbar und etwa fünfmal schwerer als Luft, nicht toxisch und nicht ozonschädigend. Detaillierte Angaben befinden sich in der IEC 60376 und IEC 62271-4.

3.10 Beschilderung, Sicherheitskennzeichnungen

Typenschild (Beispiel)



DE

- ① Typbezeichnung
- ② Typbezeichnung des Schaltkontaktes
- ③ Schaltschwellen
- ④ Herstelldatum
- ⑤ P# Erzeugnisnummer
- ⑥ Anschlussbelegung

4. Transport, Verpackung und Lagerung

4.1 Transport

Gerät auf eventuell vorhandene Transportschäden untersuchen.
Offensichtliche Schäden unverzüglich mitteilen.



VORSICHT!

Beschädigungen durch unsachgemäßen Transport

Bei unsachgemäßem Transport können Sachschäden in erheblicher Höhe entstehen.

- ▶ Beim Abladen der Packstücke bei Anlieferung sowie innerbetrieblichem Transport vorsichtig vorgehen und die Symbole auf der Verpackung beachten.
- ▶ Bei innerbetrieblichem Transport die Hinweise unter Kapitel 4.2 „Verpackung und Lagerung“ beachten.

4.2 Verpackung und Lagerung

Verpackung erst unmittelbar vor der Montage entfernen.

Die Verpackung aufbewahren, denn diese bietet bei einem Transport einen optimalen Schutz (z. B. wechselnder Einbauort, Reparatursendung).



WARNUNG!

Körperverletzungen, Sach- und Umweltschäden durch gefährliche Zersetzungsprodukte

Vor der Einlagerung müssen alle anhaftenden Zersetzungsprodukte entfernt werden.

- ▶ Reinigung siehe Kapitel 7.2 „Reinigung“

DE

Zulässige Bedingungen am Lagerort:

- Lagertemperatur: -50 ... +60 °C [-58 ... +140 °F]
- Feuchtigkeit: ≤ 90 % r. F. (nicht kondensierend)

Folgende Einflüsse vermeiden:

- Ruß, Dampf, Staub und korrosive Gase
- Explosionsgefährdete Umgebung, entzündliche Atmosphären

Das Gerät in der Originalverpackung an einem Ort lagern, der die oben gelisteten Bedingungen erfüllt. Wenn die Originalverpackung nicht vorhanden ist, dann das Gerät wie folgt verpacken und lagern:

1. Das Gerät mit dem Dämmmaterial in der Verpackung platzieren.
2. Bei längerer Einlagerung (mehr als 30 Tage) einen Beutel mit Trocknungsmittel der Verpackung beilegen.

5. Inbetriebnahme, Betrieb

5.1 Mechanische Montage



VORSICHT!

Körperverletzungen, Sach- und Umweltschäden durch defektes Gerät

Vor der Inbetriebnahme das Gerät optisch prüfen. Das Gerät nur in sicherheitstechnisch einwandfreiem Zustand einsetzen.

5.1.1 Anforderungen an die Einbaustelle

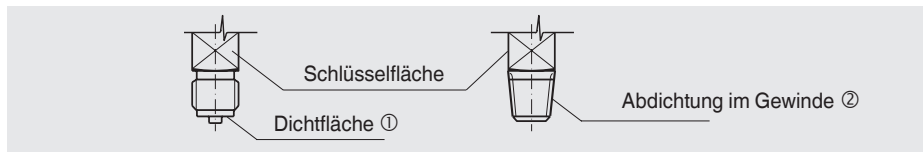
- Bei Anwendungen im Freien ist ein für die angegebene Schutzart geeigneter Aufstellort zu wählen, damit das Gerät keinen unzulässigen Witterungseinflüssen ausgesetzt ist.
- Dichtflächen am Gerät und an der Messstelle müssen unbeschädigt und frei von Verschmutzungen sein.

Die Messgeräte müssen gemäß EN 837-1 in der üblichen Einbaulage, mit einer max. zulässigen Neigung von 5° zu allen Seiten, montiert werden.

5.1.2 Installation

- Beim Transport oder der Lagerung kann es vorkommen, dass sich Gasdichtewächter erwärmen oder abkühlen und dies in Zeigerbewegungen resultiert. Diese Zeigerbewegungen werden durch das Kompensationssystem hervorgerufen. Um sicherzustellen, dass sich die Geräte ausreichend der Umgebungstemperatur angepasst haben, müssen sie min. 2 Std. bei 20 °C [68 °F] temperiert werden. Danach steht der Zeiger im drucklosen Zustand innerhalb des Toleranzbalkens.
- Entsprechend den allgemeinen technischen Regeln für Manometer (z.B. EN 837-2 „Auswahl und Einbauempfehlungen für Druckmessgeräte“) darf beim Einschrauben des Gerätes die dazu erforderliche Kraft nicht über das Gehäuse aufgebracht werden, sondern nur mit geeignetem Werkzeug über die dafür vorgesehene Schlüsselfläche.
- Beim Einschrauben die Gewindegänge nicht verkanten.

Für zylindrische Gewinde sind an der Dichtfläche ① Flachdichtungen, Dichtlinsen oder WIKA-Profilabdichtungen einzusetzen. Bei kegeligen Gewinden (z. B. NPT-Gewinde) erfolgt die Abdichtung im Gewinde ②, mit geeignetem Dichtungswerkstoff (EN 837-2). Das Anzugsmoment ist von der eingesetzten Dichtung abhängig. Um das Messgerät in die Stellung zu bringen, in der es sich am besten ablesen lässt, ist ein Anschluss mit Spannmuffe oder Überwurfmutter zu empfehlen. Sofern ein Gerät eine Entlastungsöffnung besitzt, muss diese vor Blockierung durch Geräteteile oder Schmutz geschützt sein.



5.1.3 Temperaturbelastung

Die Anbringung des Gerätes ist so auszuführen, dass die zulässige Betriebstemperatur, auch unter Berücksichtigung des Einflusses von Konvektion und Wärmestrahlung, weder unter- noch überschritten wird.

Der Temperatureinfluss auf die Anzeige- bzw. Messgenauigkeit ist zu beachten.

5.2 Elektrische Montage

- Das Gerät über den Prozessanschluss erden.
- Beim Kabelausgang sicherstellen, dass am Ende des Kabels keine Feuchtigkeit eintritt.
- Die Belegung der Anschlüsse und die Schaltfunktionen sind auf dem Typenschild am Gerät angegeben und die Anschlussklemmen sowie die Erdungsklemme sind entsprechend gekennzeichnet.

5. Inbetriebnahme, Betrieb

5.2.1 Grenzwerte für die Kontaktbelastung bei ohmscher Belastung

Grenzwerte	
Maximale Nennbetriebsspannung U_{eff}	AC 250 V
Nennbetriebsstrom	
Einschaltstrom	1 A
Ausschaltstrom	1 A
Dauerstrom	0,6 A
Maximale Schaltleistung	30 W, 50 VA

DE

Die Grenzwerte nicht überschreiten. Um dauerhaft eine sichere Funktion zu gewährleisten, sind folgende Belastungswerte empfohlen:

Spannung (nach IEC 38)

DC/AC	Ohmsche Belastung		Induktive Belastung
	DC	AC	$\cos \varphi > 0,7$
230 V	100 mA	120 mA	65 mA
110 V	200 mA	240 mA	130 mA
48 V	300 mA	450 mA	200 mA
24 V	400 mA	600 mA	250 mA

Bei niedrigen Spannungen darf der Schaltstrom aus Gründen der Schaltsicherheit nicht kleiner als 20 mA sein.



Für höhere Belastungen werden WIKA-Kontaktschutzrelais Typen 905.1X empfohlen.

Überstrom-Schutzeinrichtungen

In den Geräten sind keine Überstrom-Schutzeinrichtungen eingebaut. Falls Schutzeinrichtungen gefordert werden, sind folgende Werte nach EN 60947-5-1 zu empfehlen.

- Spannung 24 V: 2 A
- Spannung 250 V: 1 A

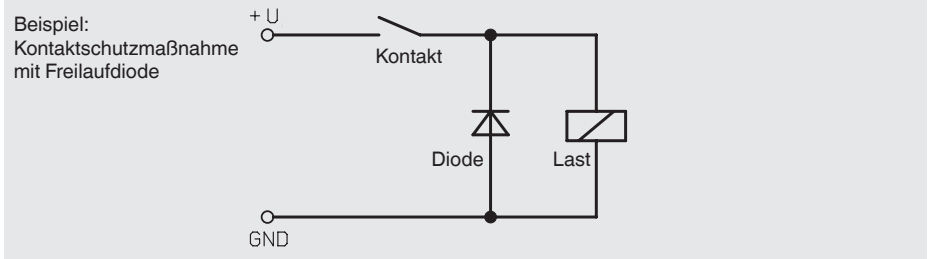
5.2.2 Kontaktschutzmaßnahmen

Mechanische Kontakte dürfen die angegebenen elektrischen Werte für Schaltstrom, Schaltspannung und Schaltleistung unabhängig voneinander, auch kurzzeitig, nicht überschreiten.

Für kapazitive oder induktive Lasten empfehlen wir eine der folgenden Schutzbeschaltungen:

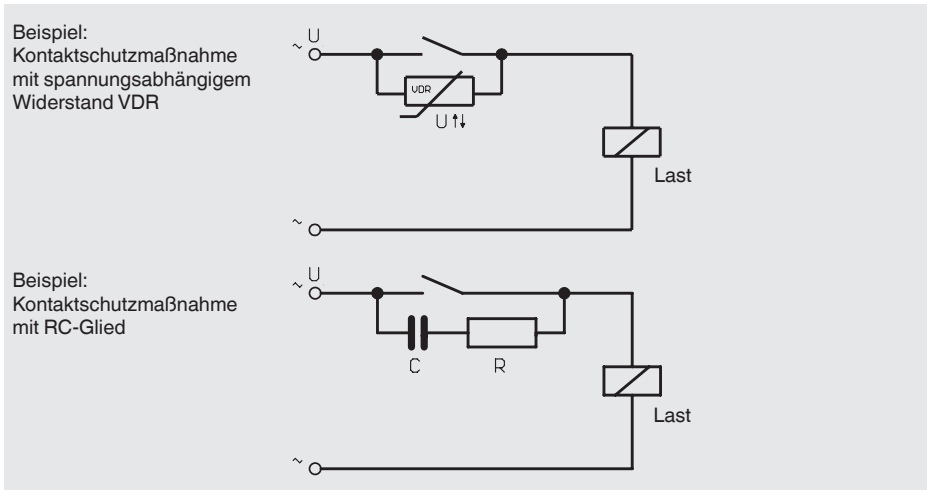
Induktive Last bei Gleichspannung

Bei Gleichspannung kann der Kontaktschutz durch eine parallel zur Last geschalteten Freilaufdiode erzielt werden. Die Polung der Diode muss so erfolgen, dass sie bei angelegter Betriebsspannung sperrt.



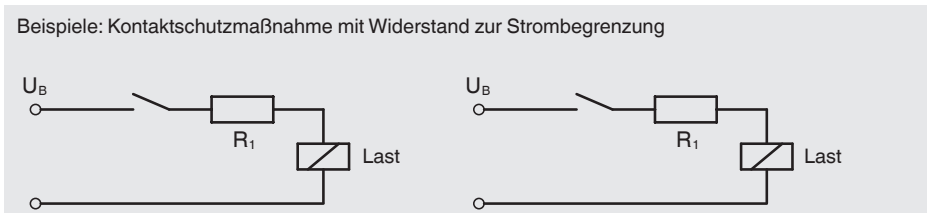
Induktive Last bei Wechselspannung

Bei Wechselspannung gibt es zwei mögliche Schutzmaßnahmen:



Kapazitive Last

Bei kapazitiven Lasten treten erhöhte Einschaltströme auf. Diese können durch Reihenschalten von Widerständen in der Zuleitung verringert werden.



5.3 Schaltpunkteinstellung

Die Schaltpunkte sind standardmäßig fest eingestellt und können nicht verstellt werden. Dadurch ist ein ungewolltes Verstellen der Schaltpunkte ausgeschlossen.

DE



6. Störungen



VORSICHT!

Körperverletzungen, Sach- und Umweltschäden

Können Störungen mit Hilfe der aufgeführten Maßnahmen nicht beseitigt werden, Gerät unverzüglich außer Betrieb setzen.

- ▶ Sicherstellen, dass kein Druck bzw. Signal mehr anliegt und gegen versehentliche Inbetriebnahme schützen.
- ▶ Kontakt mit dem Hersteller aufnehmen.
- ▶ Bei notwendiger Rücksendung die Hinweise unter Kapitel 9.2 „Rücksendung“ beachten.



Kontaktdaten siehe Kapitel 1 „Allgemeines“ oder Rückseite der Betriebsanleitung.

Störungen	Ursachen	Maßnahmen
Kontakt schaltet nicht mehr gemäß Spezifikation	Elektrische Verbindung ist unterbrochen	Durchgangsprüfung der elektrischen Anschlussleitungen durchführen
	Elektrische Last für den Schaltkontakt-Typ ungeeignet	Zulässige elektrische Lasten des Schaltkontakt-Typs einhalten
	Kontakt verunreinigt	

Störungen	Ursachen	Maßnahmen
Schaltzustand bleibt trotz Erreichen des Schaltpunktes/ Rückschaltpunktes unverändert	Kontakte defekt (z. B. Kontaktzone verschmolzen)	Gerät austauschen. Vor erneuter Inbetriebnahme des neuen Gerätes Schutzbeschaltung für den Kontakt vorsehen
Keine Zeigerbewegung trotz Druckänderung	Messwerk blockiert	Gerät austauschen
Zeigerbewegung obwohl drucklos	Erwärmung oder Abkühlung des Messgerätes (keine Störung)	Gerät 2 Stunden bei 20 °C [68 °F] temperieren

Bei Reklamationen sind die Fertigungs- und Erzeugnisnummern anzugeben. Die Fertigungsnummer ist auf dem Ziffernblatt angebracht, die Erzeugnisnummer auf dem Typenschild. Bei Reklamationen ist stets der Luftdruck und die Temperatur während der Messung anzugeben, ebenso die Daten des Vergleichsnormals (Typ, Klasse).

7. Wartung, Reinigung und Rekalibrierung

7.1 Wartung

Diese Gasdichtewächter sind wartungsfrei.

Eine Überprüfung der Anzeige und der Schaltfunktion sollte etwa 1 bis 2 mal pro Jahr erfolgen. Dazu ist das Gerät vom Gasraum zu trennen und mit einer Druckprüfvorrichtung zu kontrollieren.

Reparaturen sind ausschließlich vom Hersteller durchzuführen.

Die Geräte dürfen nicht geöffnet werden, da dadurch Anzeige- und Schaltpunktfehler entstehen.

7.2 Reinigung



VORSICHT!

Körperverletzungen, Sach- und Umweltschäden

Eine unsachgemäße Reinigung führt zu Körperverletzungen, Sach- und Umweltschäden. Zersetzungsprodukte im ausgebauten Gerät können zur Gefährdung von Personen, Umwelt und Einrichtung führen.

► Reinigungsvorgang wie folgt beschrieben durchführen.

1. Vor der Reinigung das Gerät ordnungsgemäß von der Druckversorgung trennen und stromlos schalten.
2. Notwendige Schutzausrüstung verwenden.
3. Das Gerät mit einem feuchten Tuch reinigen.
Elektrische Anschlüsse nicht mit Feuchtigkeit in Berührung bringen!



VORSICHT!

Beschädigung des Gerätes

Eine unsachgemäße Reinigung führt zur Beschädigung des Gerätes!

- ▶ Keine aggressiven Reinigungsmittel verwenden.
- ▶ Keine harten und spitzen Gegenstände zur Reinigung verwenden.

DE

4. Ausgebautes Gerät spülen bzw. säubern, um Personen und Umwelt vor Gefährdung durch anhaftende Zersetzungsprodukte zu schützen.



Hinweise zur Rücksendung befinden sich in der Rubrik „Service“ auf unserer lokalen Internetseite.

7.3 Kalibrierung

In Bezug auf Schaltanlagen-sicherheit, Objektschutz und Umweltschutz ist es üblich, eine regelmäßige Funktionsprüfung der Messgeräte durchzuführen. Artikel 5 der EU-Verordnung Nr. 517/2014 über fluorierte Treibhausgase sieht eine Kontrolle des Leckage-Erkennungssystems rechtlich verpflichtend mindestens alle 6 Jahre vor, falls mehr als 22 kg SF₆-Gas enthalten sind und die Anlage nach dem 1. Januar 2017 in Betrieb genommen wurde.

Mit Hilfe des optionalen fest angeschweißten Rekalibrierventiles kann der Gasdichtewächter vom Prozess abgesperrt und rekalibriert werden, ohne diesen demontieren zu müssen. Dies reduziert neben der Wartungszeit auch die Gefahr durch Emissionen von SF₆-Gas und mögliche Leckagen bei der Wiederinbetriebnahme. Beim Anschluss eines Prüfgerätes (z.B. Typ ACS-10 oder Typ BCS-10) an das Rekalibrierventil, wird der Gasdichtewächter automatisch vom Gasraum getrennt und es kann eine Rekalibrierung erfolgen. Anschließend kann das Prüfgerät vom Rekalibrierventil abgekoppelt werden und die Verbindung zum Gasraum wird wieder automatisch hergestellt.

Das Rekalibrierventil ist auch als Nachrüstlösung für bereits im Feld installierte Gasdichtewächter und andere Leckageerkennungssysteme als Typ GLTC-CV verfügbar und kann zwischen den Gasraum und Gasdichtewächter montiert werden.

Kalibrierung von Gasdichtewächter mit Prüfanschluss und Absperrventil



VORSICHT!

Unterbrechung der Überwachungsfunktion

Während der Kalibrierung ist der Gasdichtewächter vom zu überwachenden Gasraum getrennt. Im Falle einer Leckage kann kein Alarm ausgegeben werden.

- ▶ Nach der Kalibrierung das verwendete Rekalibriergerät (z.B. Typ ACS-10 oder BCS-10) vom Kalibrieranschluss wieder entfernen.

Anzugsmoment Prüfanschluss: 40 Nm \pm 10 %

1. Prüfgas und Prüfnormal mit Prüfanschluss verbinden.
 - Gasdichtewächter ist vom Gasraum getrennt.
2. Kalibrierung vornehmen.
3. Prüfgas und Prüfnormal vom Prüfanschluss trennen.
 - Gasdichtewächter ist mit Gasraum verbunden.

8. Demontage, Rücksendung und Entsorgung

8.1 Demontage



WARNUNG!

Körperverletzungen, Sach- und Umweltschäden durch gefährliche Zersetzungsprodukte

Bei Kontakt mit gefährlichen Zersetzungsprodukten besteht die Gefahr von Körperverletzungen, Sach- und Umweltschäden.

- Notwendige Schutzausrüstung tragen (siehe Kapitel 3.6 „Persönliche Schutzausrüstung“).

Vor der Demontage des Gerätes die Gasfüllung evakuieren.
Das Gerät nur im druck- und stromlosen Zustand demontieren.

8.2 Rücksendung



WARNUNG!

Beim Versand des Gerätes unbedingt beachten:

Alle an WIKA gelieferten Geräte müssen frei von Gefahrstoffen (z.B. Zersetzungsprodukten) sein und sind daher vor der Rücksendung zu reinigen.

Zur Rücksendung des Gerätes die Originalverpackung oder eine geeignete Transportverpackung verwenden.

Um Schäden zu vermeiden:

1. Das Gerät mit dem Dämmmaterial in der Verpackung platzieren.
Zu allen Seiten der Transportverpackung gleichmäßig dämmen.
2. Wenn möglich einen Beutel mit Trocknungsmittel der Verpackung beifügen.



Hinweise zur Rücksendung befinden sich in der Rubrik „Service“ auf unserer lokalen Internetseite.

8.3 Entsorgung

Durch falsche Entsorgung können Gefahren für die Umwelt entstehen. Gerätekomponenten und Verpackungsmaterialien entsprechend den landesspezifischen Abfallbehandlungs- und Entsorgungsvorschriften umweltgerecht entsorgen.

DE

9. Technische Daten

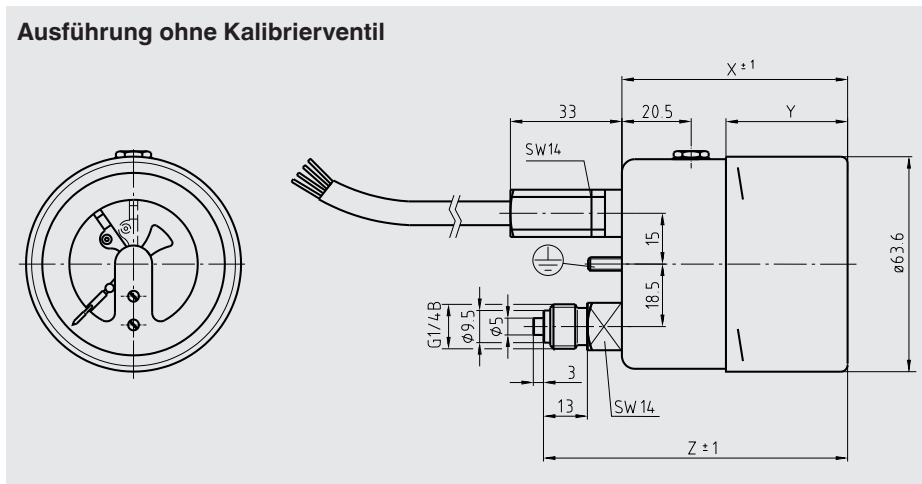
Technische Daten	
Nenngröße	63
Eichdruck P_E	Nach Kundenspezifikation
Genauigkeitsangaben	±1 % bei einer Umgebungstemperatur von 20 °C [68 °F] ±2,5 % bei einer Umgebungstemperatur von -20 ... +60 °C [-4 ... +140 °F] und bei Eichdruck nach Referenzisochore (Referenzdiagramm KALI-Chemie AG, Hannover, erstellt von Dr. Döring 1979)
Anzeigebereich	■ -1 ... +1 bar ■ -1 ... +3 bar
Zulässige Umgebungstemperatur	
Betrieb	-20 ... +60 °C [-4 ... +140 °F], Gasphase
Lagerung	-50 ... +60 °C [-58 ... +140 °F]
Prozessanschluss	G ¼ B nach EN 837, rückseitig CrNi-Stahl, Schlüsselfläche 14 mm
Messglied	CrNi-Stahl, geschweißt Gasdicht: Leckrate $\leq 1 \cdot 10^{-8}$ mbar · l / s Prüfmethode: Heliummassenspektrometrie
Messwerk	CrNi-Stahl Bimetallzugstange (Temperaturkompensation)
Zifferblatt	Aluminium Anzeigebereich ist rot, gelb und grün unterteilt
Zeiger	Aluminium, schwarz
Gehäuse	■ CrNi-Stahl, mit Gasfüllung ■ CrNi-Stahl, mit Füllflüssigkeit Gasdicht: Leckrate $\leq 1 \cdot 10^{-5}$ mbar · l / s
Sichtscheibe	Mehrschichten-Sicherheitsglas oder Acrylglas
Ring	Bajonettring, CrNi-Stahl, mit 3 Schweißpunkten gesichert
Zulässige Luftfeuchte	≤ 90 % r. F. (nicht kondensierend)
Schutzart	IP65 nach IEC60529

14502554.01.07/2021 EN/DE

Technische Daten	
Gewicht	
Mit Gasfüllung	Ca. 0,8 kg
Mit Füllflüssigkeit	Ca. 1,2 kg
Hochspannungstest 100 %	2 kV, 50 Hz, 1 s
Elektrischer Anschluss	Kabelausgang, Länge 1 m Kabeldurchführung aus Glas
Anzahl Schaltkontakte	1 oder 2 Magnetspringkontakte
Schalrichtungen	Fallender Druck oder steigender Druck
Schaltfunktionen	Schließer, Öffner oder Wechsler (max. 1 Schaltkontakt)
Stromkreise	Galvanisch verbunden (nicht für Wechsler) oder galvanisch getrennt
Schaltgenauigkeit	
Schaltpunkt = Eichdruck P_E	Siehe Genauigkeitsangaben
Schaltpunkt \neq Eichdruck P_E	Parallel zur Referenzisochore des Eichdruckes
Max. Schaltspannung	AC 250 V
Schaltleistung	Mit Gasfüllung: 30 W / 50 VA, max. 1 A Mit Füllflüssigkeit: 20 W / 20 VA, max. 1 A
Werkstoff der Schaltkontakte	80 % Ag / 20 % Ni, vergoldet

Weitere technische Daten siehe Bestellunterlagen.

Abmessungen in mm



10. Zubehör

DE

Beschreibung	Bestellnummer
 <p>Rekalibrierventil zum Nachrüsten für bereits im Feld installierte Gasdichtewächter und andere Leckageerkennungssysteme, Typ GLTC-CV Beliebige Anordnung des Prüfventils möglich Weitere Prozessanschlüsse auf Anfrage</p>	<p>Siehe WIKA Datenblatt SP 61.16</p>
 <p>Adapter von Prüfanschluss (M26 x 1,5) auf Schnellkupplung</p>	<p>14146937</p>
 <p>Schutzkappe für Prüfanschluss (M26 x 1,5)</p>	<p>14193772</p>
 <p>Kalibriersystem für SF₆-Gasdichtemessgeräte</p>	<p>Siehe WIKA Datenblatt SP 60.08</p>

