

Level sensor with reed measuring chain
Models RLT-1000, RLT-2000, RLT-3000

EN

Niveau-Messwertgeber mit Reed-Messkette
Typen RLT-1000, RLT-2000, RLT-3000

DE

Capteur de niveau avec chaîne de mesure Reed
Types RLT-1000, RLT-2000, RLT-3000

FR

Transmisores de nivel con cadena de medición Reed
Modelos RLT-1000, RLT-2000, RLT-3000

ES



Model RLT-1000



Model RLT-2000

WIKAL

Part of your business

EN	Operating instructions models RLT-1000, RLT-2000, RLT-3000	Page	3 - 22
DE	Betriebsanleitung Typen RLT-1000, RLT-2000, RLT-3000	Seite	23 - 42
FR	Mode d'emploi types RLT-1000, RLT-2000, RLT-3000	Page	43 - 62
ES	Manual de instrucciones modelos RLT-1000, RLT-2000, RLT-3000	Página	63 - 81

© 07/2018 WIKA Alexander Wiegand SE & Co. KG
 All rights reserved. / Alle Rechte vorbehalten.
 WIKA® is a registered trademark in various countries.
 WIKA® ist eine geschützte Marke in verschiedenen Ländern.

Prior to starting any work, read the operating instructions!
 Keep for later use!

Vor Beginn aller Arbeiten Betriebsanleitung lesen!
 Zum späteren Gebrauch aufbewahren!

Lire le mode d'emploi avant de commencer toute opération !
 A conserver pour une utilisation ultérieure !

¡Leer el manual de instrucciones antes de comenzar cualquier trabajo!
 ¡Guardar el manual para una eventual consulta!

Contents

1. General information	4
2. Design and function	5
3. Safety	6
4. Transport, packaging and storage	11
5. Commissioning, operation	11
6. Faults	15
7. Maintenance and cleaning	16
8. Dismounting, return and disposal	17
9. Specifications	18

Declarations of conformity can be found online at www.wika.com.

1. General information

1. General information

EN

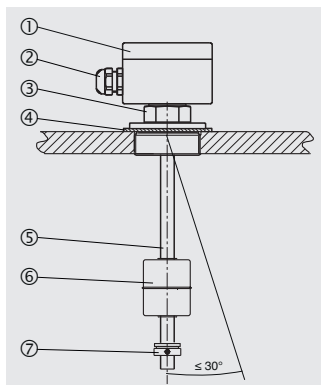
- The level sensors described in the operating instructions have been designed and manufactured using state-of-the-art technology. All components are subject to stringent quality and environmental criteria during production. Our management systems are certified to ISO 9001 and ISO 14001.
- These operating instructions contain important information on handling the instrument. Working safely requires that all safety instructions and work instructions are observed.
- Observe the relevant local accident prevention regulations and general safety regulations for the instrument's range of use.
- The operating instructions are part of the product and must be kept in the immediate vicinity of the instrument and readily accessible to skilled personnel at any time. Pass the operating instructions onto the next user or owner of the instrument.
- Skilled personnel must have carefully read and understood the operating instructions prior to beginning any work.
- The general terms and conditions contained in the sales documentation shall apply.
- Subject to technical modifications.
- Further information:
 - Internet address: www.wika.de / www.wika.com
 - Relevant data sheet: LM 50.01 (model RLT-2000)
LM 50.02 (model RLT-1000)
LM 50.05 (model RLT-3000)
 - Application consultant: Tel.: +49 9372 132-0
Fax: +49 9372 132-406
info@wika.de

2. Design and function

2. Design and function

2.1 Functional description

Level sensors work on the float principle with magnetic transmission. A permanent magnet built into the float ⑥ triggers, with its magnetic field, the resistance measuring chain built into the guide tube ⑤. The entire assembly corresponds to a 3-wire potentiometer circuit. The float ⑥ changes its height with the level of the medium it is monitoring. The measured resistance signal is proportional to the level. The measurement voltage is very finely stepped due to the contact separation of the resistance measuring chain and is thus virtually continuous.



- ① Connection housing
- ② Cable gland
- ③ Spanner flats for screwing in
- ④ Sealing
- ⑤ Guide tube
- ⑥ Float
- ⑦ Float stop

2.2 Scope of delivery

- Level sensor
- Operating instructions

Cross-check scope of delivery with delivery note.

3. Safety

3. Safety

EN

3.1 Explanation of symbols



DANGER!

... indicates a directly dangerous situation resulting in serious injury or death, if not avoided.



WARNING!

... indicates a potentially dangerous situation that can result in serious injury or death, if not avoided.



CAUTION!

... indicates a potentially dangerous situation that can result in light injuries or damage to property or the environment, if not avoided.



Information

... points out useful tips, recommendations and information for efficient and trouble-free operation.

3.2 Intended use

Level sensors are used exclusively for monitoring the levels of liquid media. The scope of application is defined by the technical performance limits and materials.

- The liquids must not have any large contamination or coarse particles and must not have a tendency to crystallise. Ensure that the wetted materials of the level sensor are sufficiently resistant to the medium being monitored. Not suitable for dispersions, abrasive liquids, highly viscous media and colours.

3. Safety

EN

- This instrument is not permitted to be used in hazardous areas!
- Do not operate the instrument in the direct vicinity of ferromagnetic environments (min. distance 100 mm).
- Do not operate the instrument in the immediate vicinity of strong electromagnetic fields or in the immediate vicinity of equipment that can be affected by magnetic fields (min. clearance 1 m).
- The level sensors must not be exposed to heavy mechanical strain (impact, bending, vibration).
- The technical specifications contained in these operating instructions must be observed. Improper handling or operation of the instrument outside of its technical specifications requires the instrument to be taken out of service immediately and inspected by an authorised WIKA service engineer.

The instrument has been designed and built solely for the intended use described here, and may only be used accordingly.

The manufacturer shall not be liable for claims of any type based on operation contrary to the intended use.



DANGER!

Work on containers involves the danger of intoxication and suffocation. No work is allowed to be carried out unless by taking suitable personal protective measures (e.g. respiratory protection apparatus, protective outfit etc.).

3. Safety

3.3 Improper use

Improper use is defined as any application that exceeds the technical performance limits or is not compatible with the materials.

EN



WARNING!

Injuries through improper use

Improper use of the instrument can lead to hazardous situations and injuries.

- ▶ Refrain from unauthorised modifications to the instrument.
- ▶ Do not use the instrument within hazardous areas.

Any use beyond or different to the intended use is considered as improper use.

Do not use this instrument in safety or emergency stop devices.

3.4 Responsibility of the operator

The instrument is used in the industrial sector. The operator is therefore responsible for legal obligations regarding safety at work.

The safety instructions within these operating instructions, as well as the safety, accident prevention and environmental protection regulations for the application area must be maintained.

To ensure safe working on the instrument, the operating company must ensure

- that suitable first-aid equipment is available and aid is provided whenever required.
- that the operating personnel are regularly instructed in all topics regarding work safety, first aid and environmental protection and know the operating instructions and in particular, the safety instructions contained therein.
- that the instrument is suitable for the particular application in accordance with its intended use.
- that following testing, improper use of the instrument is excluded.

3. Safety

3.5 Personnel qualification



WARNING!

Risk of injury should qualification be insufficient

Improper handling can result in considerable injury and damage to equipment.

- ▶ The activities described in these operating instructions may only be carried out by skilled personnel who have the qualifications described below.

Skilled personnel

Skilled personnel, authorised by the operator, are understood to be personnel who, based on their technical training, knowledge of measurement and control technology and on their experience and knowledge of country-specific regulations, current standards and directives, are capable of carrying out the work described and independently recognising potential hazards.

3.6 Personal protective equipment

The personal protective equipment is designed to protect the skilled personnel from hazards that could impair their safety or health during work. When carrying out the various tasks on and with the instrument, the skilled personnel must wear personal protective equipment.

Follow the instructions displayed in the work area regarding personal protective equipment!

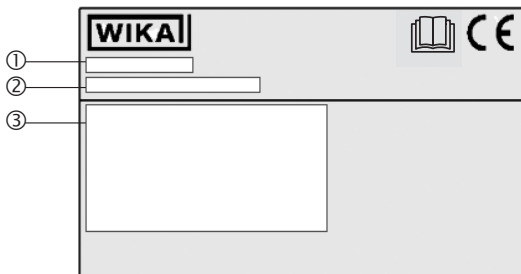
The requisite personal protective equipment must be provided by the operating company.

3. Safety

3.7 Labelling, safety marks

Product label (example)

EN



- ① Model
- ② P# product number
S# serial number
- ③ Electrical connection



Before mounting and commissioning the instrument, ensure you read the operating instructions!

4. Transport ... / 5. Commissioning, operation

EN

4. Transport, packaging and storage

4.1 Transport

Check the level sensor for any damage that may have been caused by transport. Obvious damage must be reported immediately.



CAUTION!

With improper transport, a high level of damage to property can occur.

- ▶ Observe the symbols on the packaging.
- ▶ Handle packed goods with care.

4.2 Packaging and storage

Do not remove packaging until just before commissioning.

Permissible conditions at the place of storage:

Storage temperature: -30 ... +80 °C (-22 ... +176 °F)

5. Commissioning, operation

- Observe all instructions given on the shipment packaging for removing the transportation safety devices.
- Remove the level sensor carefully from the packaging!
- When unpacking, check all components for any external damage.

5.1 Functional check

Prior to installation, a functional check of the level sensor can be carried out with a resistance measuring instrument or a multimeter (for instruments with 4 ... 20 mA output signal) and manual movement of the float.

5. Commissioning, operation

The following table describes the 3-wire resistance measurement and the expected measured values for the movement of the float, starting from the float stop in the direction of the tank opening.

EN

Resistance measurement of the wire colours	Measured value
BN – GN (R1) Brown – green	Resistance value rises proportionally with the position of the float.
WH – BN (R2) White – brown	Resistance value drops in inverse proportion to the position of the float.
GN – WH (Ri) Green – white	Overall resistance of the measuring chain remains almost constant, irrespective of the position of the float




WARNING!

Ensure that the functional check does not start any unintended processes.

5.2 Mounting preparation

Ensure that the sealing faces of the vessel or level sensor are clean and do not show any mechanical damage.

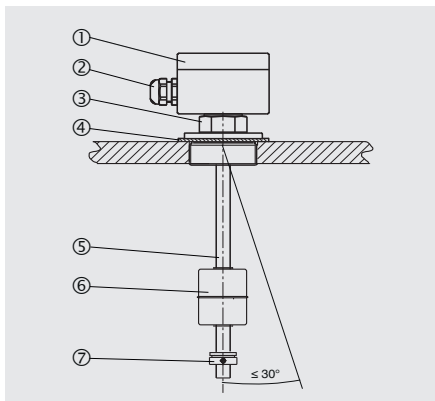
5.3 Mounting

- Observe the torque values of screws specified in pipefitting work.
- In the selection of the mounting material (sealings, screws, washers and nuts), take the process conditions into account. The suitability of the sealing must be specified with regard to the medium and its vapours. In addition, ensure it has corresponding corrosion resistance.
- The guide tube  should not be inclined more than a maximum of 30° to the vertical.
- Mount the level sensor correctly for the design of the process connection.

5. Commissioning, operation

EN

- If the opening of the process connection is too small for the float, the float must be removed before mounting.
 - Before removal, mark the position of the float stop ⑦ with a waterproof pen
 - Mark the mounting position of the float (e.g. "Up")
 - After the level sensor has been mounted, the float should be re-attached within the inside of the tank (pay attention to the mounting position!).
 - Secure the float stop ⑦ again at the marked point.



5. Commissioning, operation

5.4 Electrical connection

- The electrical connection must only be made by qualified skilled personnel.
- Wire the level sensor in accordance with the connection diagram of the electrical output (see product label). The connection terminals are appropriately marked.

EN

Electrical output	Connection diagram
3-wire potentiometer circuit	
4 ... 20 mA	

- Seal the cable bushing ② at the connection housing ① (see illustration in chapter 5.3 “Mounting”).



WARNING!

Malfunctions through voltage spikes due to running cables together with mains connection leads or due to large cable lengths.

This can lead to a malfunction in the plant and thus lead to injury to personnel or damage to equipment.

- ▶ Use shielded connection leads.
- ▶ Ground connection leads at one end.

Always observe the mounting and operating instructions of accessories when commissioning them.

6. Faults

6. Faults



The following table contains the most frequent causes of faults and the necessary countermeasures.

EN

Faults	Causes	Measures
Level sensor cannot be mounted at the planned place on the vessel	Process connection of the level sensor does not match the process connection of the vessel	Modification of the vessel
	Process connection at the vessel defective	Rework the thread or replace the screwed coupling
No signal, non-linear or undefined signals	Electrical connection incorrect	See chapter 5.4 "Electrical connection". Check assignment with the aid of the connection diagram.
	Measuring chain or 4 ... 20 mA evaluation electronics defective	Return to the manufacturer
	PLC evaluation defective	Functional check of the level sensor with resistance measuring instrument/ multimeter
Analogue transmitter shows signal < 4 mA or > 25 mA	Cable break or measuring chain damaged	Functional check of the level sensor, replacement as required



CAUTION! **Physical injuries and damage to property and the environment**

If faults cannot be eliminated by means of the listed measures, the instrument must be taken out of operation immediately.

- ▶ Ensure that there is no longer any pressure present and protect against being put into operation accidentally.
- ▶ Contact the manufacturer.
- ▶ If a return is needed, please follow the instructions given in chapter 8.2 "Return".

7. Maintenance and cleaning

7. Maintenance and cleaning

EN

7.1 Maintenance

When used properly, the level sensors work maintenance-free. They must be subjected to visual inspection within the context of regular maintenance, however, and included in the vessel pressure test.



DANGER!

Work on containers involves the danger of intoxication and suffocation. No work is allowed to be carried out unless by taking suitable personal protective measures (e.g. respiratory protection apparatus, protective outfit etc.).

Repairs must only be carried out by the manufacturer.



Perfect functioning of the level sensors can only be guaranteed when original accessories and spare parts are used.

7.2 Cleaning



CAUTION!

Physical injuries and damage to property and the environment

Improper cleaning may lead to physical injuries, damage to property and the environment and to damage to the instrument. Residual media in the dismantled instrument can result in a risk to persons, the environment and equipment.

- ▶ Rinse or clean the dismantled instrument.
- ▶ Sufficient precautionary measures must be taken.
- ▶ Do not use any aggressive cleaning agents.
- ▶ Do not use any hard or pointed objects for cleaning.

1. Prior to cleaning, properly disconnect the instrument from the process and the power supply.
2. Clean the instrument carefully with a moist cloth.
3. Electrical connections must not come into contact with moisture!

8. Dismounting, return and disposal

8. Dismounting, return and disposal



WARNING!

Physical injuries and damage to property and the environment through residual media

Residual media in the dismantled instrument can result in a risk to persons, the environment and equipment.

- ▶ Wash or clean the dismantled instrument, in order to protect persons and the environment from exposure to residual media.

8.1 Dismounting

Only disconnect the measuring instrument once the system has been depressurised and the power disconnected!

8.2 Return

Wash or clean the dismantled level sensor before returning it, in order to protect personnel and the environment from exposure to residual media.



Information on returns can be found under the heading “Service” on our local website.

8.3 Disposal

Incorrect disposal can put the environment at risk.

Dispose of instrument components and packaging materials in an environmentally compatible way and in accordance with the country-specific waste disposal regulations.

9. Specifications

9. Specifications

■ Model RLT-1000

Specifications

Output signal	<ul style="list-style-type: none">■ Variable resistance The overall resistance of the reed chain is approx. 1 ... 10 kΩ, depending on the measuring range Max. voltage < DC 40 V■ Current output, 4 ... 20 mA, 2-wire Power supply: DC 12 ... 32 V Load in Ω: \leq (power supply - 12 V) / 0.02 A
Accuracy, resolution	<ul style="list-style-type: none">■ 12 mm■ 10 mm■ 6 mm■ 3 mm
Permissible temperatures	
■ Medium	-30 ... +80 °C (-22 ... +176 °F) Option: -30 ... +120 °C (-22 ... +248 °F) ¹⁾
■ Ambient	-30 ... +80 °C (-22 ... +176 °F)
■ Storage	-30 ... +80 °C (-22 ... +176 °F)

1) Not with cable material: PVC, PUR; not with float outer diameter \varnothing D = 30 mm; not with connection housing 58 x 64 x 36 mm

9. Specifications

■ Model RLT-2000

Specifications	
Output signal	<ul style="list-style-type: none">■ Variable resistance The overall resistance of the reed chain is approx. 1 ... 10 kΩ, depending on the measuring range Max. voltage < DC 40 V■ Current output, 4 ... 20 mA, 2-wire Power supply: DC 12 ... 32 V Load in Ω: \leq (power supply - 12 V) / 0.02 A
Accuracy, resolution	<ul style="list-style-type: none">■ 12 mm■ 10 mm■ 6 mm■ 3 mm
Permissible temperatures	
■ Medium	PP: -10 ... +80 °C (14 ... 176 °F) PVDF (option): -10 ... +80 °C (14 ... 176 °F) Option: -30 ... +120 °C (-22 ... +248 °F)
■ Ambient	PP: -10 ... +80 °C (14 ... 176 °F) PVDF (option): -30 ... +80 °C (-22 ... +176 °F)
■ Storage	PP: -10 ... +80 °C (14 ... 176 °F) PVDF (option): -30 ... +80 °C (-22 ... +176 °F)

EN

9. Specifications

■ Model RLT-3000

Specifications	Level	Temperature
Output signal	<ul style="list-style-type: none"> ■ Current output, 4 ... 20 mA, 2-wire Power supply: DC 12 ... 32 V Load in Ω : \leq (power supply - 12 V) / 0.02 A	<ul style="list-style-type: none"> ■ Pt100, 2-wire ■ Pt1000, 2-wire ■ Current output, 4 ... 20 mA, 2-wire Power supply: DC 12 ... 32 V Load in Ω : \leq (power supply - 12 V) / 0.02 A
Accuracy	<ul style="list-style-type: none"> ■ 12 mm ■ 10 mm ■ 6 mm ■ 3 mm For reed-chain technology, the accuracy corresponds to the resolution.	Class B per DIN EN 60751, for Pt100 / Pt1000 0.5 %, for current output 4 ... 20 mA
Permissible temperatures	<ul style="list-style-type: none"> ■ Medium -30 ... +100 °C (-22 ... +212 °F) ■ Ambient -30 ... +80 °C (-22 ... +176 °F) ■ Storage -30 ... +80 °C (-22 ... +176 °F) 	

EN

9. Specifications

Overview of floats

Form	Outer Ø D	Height H	Operating pressure	Medium temperature	Density	Material
Cylinder	55 mm	65 mm	≤ 3 bar (≤ 43.5 psi)	≤ 120 °C (≤ 248 °F)	≥ 800 kg/m ³	PVDF
Cylinder	55 mm	55 mm	≤ 3 bar (≤ 43.5 psi)	≤ 80 °C (≤ 176 °F)	≥ 500 kg/m ³	PP
Cylinder	44 mm	44 mm	≤ 3 bar (≤ 43.5 psi)	≤ 80 °C (≤ 176 °F)	≥ 500 kg/m ³	PP
Cylinder	44 mm	52 mm	≤ 16 bar (≤ 232 psi)	≤ 120 °C (≤ 248 °F)	≥ 750 kg/m ³	1.4571 (316Ti)
Cylinder	30 mm	36 mm	≤ 10 bar (≤ 145 psi)	≤ 80 °C (≤ 176 °F)	≥ 850 kg/m ³	1.4571 (316Ti)
Cylinder	25 mm	17 mm	≤ 16 bar (≤ 232 psi)	≤ 80 °C (≤ 176 °F)	≥ 500 kg/m ³	Buna / NBR
Sphere	52 mm	52 mm	≤ 40 bar (≤ 580 psi)	≤ 120 °C (≤ 248 °F)	≥ 750 kg/m ³	1.4571 (316Ti)

For further specifications see WIKA data sheets LM 50.01, LM 50.02, LM 50.05 and the order documentation.

Inhalt

1. Allgemeines	24
2. Aufbau und Funktion	25
3. Sicherheit	26
4. Transport, Verpackung und Lagerung	31
5. Inbetriebnahme, Betrieb	31
6. Störungen	35
7. Wartung und Reinigung	36
8. Demontage, Rücksendung und Entsorgung	37
9. Technische Daten	38

Konformitätserklärungen finden Sie online unter www.wika.de.

1. Allgemeines

1. Allgemeines

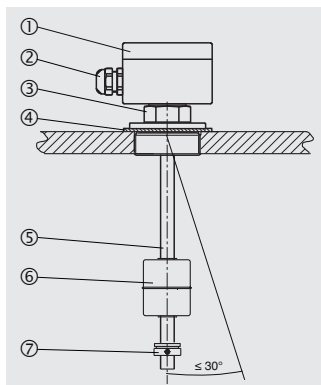
- Die in der Betriebsanleitung beschriebenen Niveau-Messwertgeber werden nach dem aktuellen Stand der Technik konstruiert und gefertigt. Alle Komponenten unterliegen während der Fertigung strengen Qualitäts- und Umweltkriterien. Unsere Managementsysteme sind nach ISO 9001 und ISO 14001 zertifiziert.
- Diese Betriebsanleitung gibt wichtige Hinweise zum Umgang mit dem Gerät. Voraussetzung für sicheres Arbeiten ist die Einhaltung aller angegebenen Sicherheitshinweise und Handlungsanweisungen.
- Die für den Einsatzbereich des Gerätes geltenden örtlichen Unfallverhütungsvorschriften und allgemeinen Sicherheitsbestimmungen einhalten.
- Die Betriebsanleitung ist Produktbestandteil und muss in unmittelbarer Nähe des Gerätes für das Fachpersonal jederzeit zugänglich aufbewahrt werden. Betriebsanleitung an nachfolgende Benutzer oder Besitzer des Gerätes weitergeben.
- Das Fachpersonal muss die Betriebsanleitung vor Beginn aller Arbeiten sorgfältig durchgelesen und verstanden haben.
- Es gelten die allgemeinen Geschäftsbedingungen in den Verkaufsunterlagen.
- Technische Änderungen vorbehalten.
- Weitere Informationen:
 - Internet-Adresse: www.wika.de / www.wika.com
 - Zugehöriges Datenblatt: LM 50.01 (Typ RLT-2000)
LM 50.02 (Typ RLT-1000)
LM 50.05 (Typ RLT-3000)
 - Anwendungsberater: Tel.: +49 9372 132-0
Fax: +49 9372 132-406
info@wika.de

2. Aufbau und Funktion

2. Aufbau und Funktion

2.1 Funktionsbeschreibung

Niveau-Messwertgeber arbeiten nach dem Schwimmerprinzip mit magnetischer Übertragung. Ein im Schwimmer ⑥ eingebauter Permanentmagnet betätigt durch sein Magnetfeld die im Gleitrohr ⑤ eingebaute Widerstandsmesskette. Der gesamte Aufbau entspricht einer 3-Leiter-Potentiometerschaltung. Der Schwimmer ⑥ verändert seine Höhenlage mit dem Flüssigkeitspegel des zu überwachenden Messstoffes. Das gemessene Widerstandssignal ist proportional zum Füllstand. Die Messspannung ist bedingt durch das Kontaktaster der Widerstandsmesskette sehr feinstufig und damit quasikontinuierlich.



- ① Anschlussgehäuse
- ② Kabelverschraubung
- ③ Schlüssel­fläche zum Einschrauben
- ④ Dichtung
- ⑤ Gleitrohr
- ⑥ Schwimmer
- ⑦ Schwimmeranschlag

2.2 Lieferumfang

- Niveau-Messwertgeber
- Betriebsanleitung

Lieferumfang mit dem Lieferschein abgleichen.

3. Sicherheit

3. Sicherheit

3.1 Symbolerklärung

DE



GEFAHR!

... weist auf eine unmittelbar gefährliche Situation hin, die zum Tod oder zu schweren Verletzungen führt, wenn sie nicht gemieden wird.



WARNUNG!

... weist auf eine möglicherweise gefährliche Situation hin, die zum Tod oder zu schweren Verletzungen führen kann, wenn sie nicht gemieden wird.



VORSICHT!

... weist auf eine möglicherweise gefährliche Situation hin, die zu geringfügigen oder leichten Verletzungen bzw. Sach- und Umweltschäden führen kann, wenn sie nicht gemieden wird.



Information

... hebt nützliche Tipps und Empfehlungen sowie Informationen für einen effizienten und störungsfreien Betrieb hervor.

3.2 Bestimmungsgemäße Verwendung

Niveau-Messwertgeber dienen ausschließlich der Füllstandsüberwachung von flüssigen Messstoffen. Der Einsatzbereich ergibt sich aus den technischen Leistungsgrenzen und Werkstoffen.

- Die Flüssigkeiten dürfen keine starken Verschmutzungen oder Grobteile aufweisen und nicht zum Auskristallisieren neigen. Es ist sicherzustellen, dass die messstoffberührten Werkstoffe des Niveau-Messwertgebers gegen den zu überwachenden Messstoff ausreichend beständig sind. Nicht geeignet für Dispersionen, abrasive Flüssigkeiten, hochviskose Medien und Farben.

3. Sicherheit

DE

- Dieses Gerät ist nicht für den Einsatz in explosionsgefährdeten Bereichen zugelassen!
- Gerät nicht in unmittelbarer Nähe von ferromagnetischer Umgebung (Abstand min. 100 mm) betreiben.
- Gerät nicht in unmittelbarer Nähe von starken elektromagnetischen Feldern bzw. in unmittelbarer Nähe von Einrichtungen betreiben, die durch Magnetfelder beeinflusst werden können (Abstand min. 1 m).
- Die Niveau-Messwertgeber dürfen keinen starken mechanischen Belastungen (Stoß, Verbiegen, Vibrationen) ausgesetzt werden.
- Die technischen Spezifikationen in dieser Betriebsanleitung sind einzuhalten. Eine unsachgemäße Handhabung oder ein Betreiben des Gerätes außerhalb der technischen Spezifikationen macht die sofortige Stilllegung und Überprüfung durch einen autorisierten WIKA-Servicemitarbeiter erforderlich.

Das Gerät ist ausschließlich für den hier beschriebenen bestimmungsgemäßen Verwendungszweck konzipiert und konstruiert und darf nur dementsprechend verwendet werden.

Ansprüche jeglicher Art aufgrund von nicht bestimmungsgemäßer Verwendung sind ausgeschlossen.



GEFAHR!

Beim Arbeiten an Behältern besteht Vergiftungs- oder Erstickungsgefahr. Arbeiten dürfen nur unter Anwendung geeigneter Personenschutzmaßnahmen (z. B. Atemschutzgerät, Schutzkleidung o. Ä.) durchgeführt werden.

3. Sicherheit

3.3 Fehlgebrauch

Als Fehlgebrauch gilt jede Verwendung, die die technischen Leistungsgrenzen überschreitet oder mit den Werkstoffen unverträglich ist.



WARNUNG!

Verletzungen durch Fehlgebrauch

Fehlgebrauch des Gerätes kann zu gefährlichen Situationen und Verletzungen führen.

- ▶ Eigenmächtige Umbauten am Gerät unterlassen.
- ▶ Gerät nicht in explosionsgefährdeten Bereichen einsetzen.

Jede über die bestimmungsgemäße Verwendung hinausgehende oder andersartige Benutzung gilt als Fehlgebrauch.

Dieses Gerät nicht in Sicherheits- oder in Not-Aus-Einrichtungen benutzen.

3.4 Verantwortung des Betreibers

Das Gerät wird im gewerblichen Bereich eingesetzt. Der Betreiber unterliegt daher den gesetzlichen Pflichten zur Arbeitssicherheit.

Die Sicherheitshinweise dieser Betriebsanleitung, sowie die für den Einsatzbereich des Gerätes gültigen Sicherheits-, Unfallverhütungs- und Umweltschutzvorschriften einhalten.

Für ein sicheres Arbeiten am Gerät muss der Betreiber sicherstellen,

- dass eine entsprechende Erste-Hilfe-Ausrüstung vorhanden ist und bei Bedarf jederzeit Hilfe zur Stelle ist.
- dass das Bedienpersonal regelmäßig in allen zutreffenden Fragen von Arbeitssicherheit, Erste Hilfe und Umweltschutz unterwiesen wird, sowie die Betriebsanleitung und insbesondere die darin enthaltenen Sicherheitshinweise kennt.
- dass das Gerät gemäß der bestimmungsgemäßen Verwendung für den Anwendungsfall geeignet ist.
- dass nach Prüfung ein Fehlgebrauch des Gerätes ausgeschlossen ist.

3.5 Personalqualifikation



WARNUNG!

Verletzungsgefahr bei unzureichender Qualifikation

Unsachgemäßer Umgang kann zu erheblichen Personen- und Sachschäden führen.

- ▶ Die in dieser Betriebsanleitung beschriebenen Tätigkeiten nur durch Fachpersonal nachfolgend beschriebener Qualifikation durchführen lassen.

DE

Fachpersonal

Das vom Betreiber autorisierte Fachpersonal ist aufgrund seiner fachlichen Ausbildung, seiner Kenntnisse der Mess- und Regelungstechnik und seiner Erfahrungen sowie Kenntnis der landesspezifischen Vorschriften, geltenden Normen und Richtlinien in der Lage, die beschriebenen Arbeiten auszuführen und mögliche Gefahren selbstständig zu erkennen.

3.6 Persönliche Schutzausrüstung

Die persönliche Schutzausrüstung dient dazu, das Fachpersonal gegen Gefahren zu schützen, die dessen Sicherheit oder Gesundheit bei der Arbeit beeinträchtigen könnten. Beim Ausführen der verschiedenen Arbeiten an und mit dem Gerät muss das Fachpersonal persönliche Schutzausrüstung tragen.

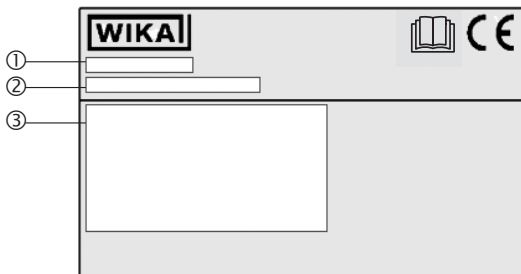
Im Arbeitsbereich angebrachte Hinweise zur persönlichen Schutzausrüstung befolgen!

Die erforderliche persönliche Schutzausrüstung muss vom Betreiber zur Verfügung gestellt werden.

3. Sicherheit

3.7 Beschilderung, Sicherheitskennzeichnungen

Typenschild (Beispiel)



DE

- ① Typ
- ② P# Erzeugnisnummer
S# Seriennummer
- ③ Elektrischer Anschluss



Vor Montage und Inbetriebnahme des Gerätes unbedingt die Betriebsanleitung lesen!

4. Transport, Verpackung und Lagerung

4.1 Transport

Niveau-Messwertgeber auf eventuell vorhandene Transportschäden untersuchen. Offensichtliche Schäden unverzüglich mitteilen.



VORSICHT!

Bei unsachgemäßem Transport können Sachschäden in erheblicher Höhe entstehen.

- ▶ Symbole auf der Verpackung beachten.
- ▶ Packstücke vorsichtig behandeln.

4.2 Verpackung und Lagerung

Verpackung erst unmittelbar vor der Inbetriebnahme entfernen.

Zulässige Bedingungen am Lagerort:

Lagertemperatur: -30 ... +80 °C (-22 ... +176 °F)

5. Inbetriebnahme, Betrieb

- Alle auf der Versandverpackung angegebenen Hinweise zum Entfernen der Transportsicherungen beachten.
- Den Niveau-Messwertgeber vorsichtig aus der Verpackung entnehmen!
- Beim Auspacken alle Teile auf äußerliche Beschädigungen überprüfen.

5.1 Funktionsprüfung

Vor der Montage kann eine Funktionsprüfung des Niveau-Messwertgebers mit einem Widerstandsmessgerät bzw. Multimeter bei Geräten mit 4 ... 20 mA-Ausgangssignal und manueller Schwimmerbewegung erfolgen.

5. Inbetriebnahme, Betrieb

Die nachfolgende Tabelle beschreibt die 3-Leiter-Widerstandsmessung und die erwarteten Messwerte bei der Bewegung des Schwimmers beginnend vom Schwimmeranschlag in Richtung Tanköffnung.

Widerstandsmessung der Aderfarben	Messwert
BN – GN (R1) Braun – Grün	Widerstandswert steigt proportional mit der Position des Schwimmers an.
WH – BN (R2) Weiß – Braun	Widerstandswert sinkt umgekehrt proportional mit der Position des Schwimmers.
GN – WH (Ri) Grün – Weiß	Gesamtwiderstand der Messkette bleibt unabhängig von der Schwimmerposition nahezu konstant




WARNUNG!

Sicherstellen, dass die Funktionsprüfung keine unbeabsichtigten Prozesse startet.

5.2 Montagevorbereitung

Sicherstellen, dass die Dichtflächen des Behälters bzw. des Niveau-Messwertgebers sauber sind und keine mechanische Beschädigung aufweisen.

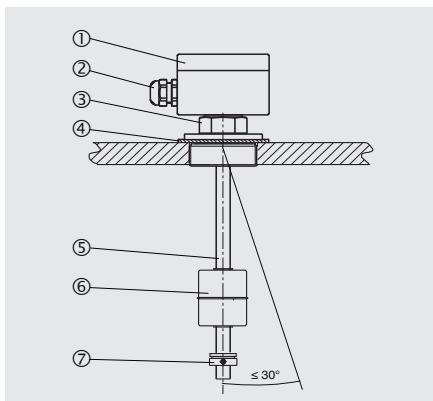
5.3 Montage

- Die im Rohrleitungsbau vorgeschriebenen Drehmomentwerte der Schrauben einhalten.
- Bei der Auswahl des Montagematerials (Dichtungen, Schrauben, Unterlegscheiben und Muttern) die Prozessbedingungen beachten. Die Eignung der Dichtung muss hinsichtlich Messstoff und dessen Dämpfen gegeben sein. Zusätzlich ist auf entsprechende Korrosionsbeständigkeit zu achten.
- Das Gleitrohr  darf maximal 30° zur Vertikalen geneigt sein.
- Niveau-Messwertgeber je nach Ausführung des Prozessanschlusses fachgerecht montieren.

5. Inbetriebnahme, Betrieb

- Ist die Öffnung des Prozessanschlusses zu klein für den Schwimmer, muss der Schwimmer vor der Montage entfernt werden.
 - Position des Schwimmeranschlages ⑦ vor dem Abbauen mit einem wasserfesten Stift markieren
 - Einbaulage des Schwimmers kennzeichnen (z. B. „Oben“)
 - Nach der Montage des Niveau-Messwertgebers ist der Schwimmer im Inneren des Tanks wieder anzubauen (Einbaulage beachten!).
 - Schwimmeranschlag ⑦ an der markierten Stelle wieder befestigen.

DE

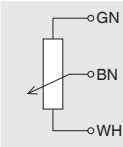
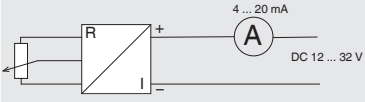


5. Inbetriebnahme, Betrieb

5.4 Elektrischer Anschluss

- Der elektrische Anschluss darf nur durch qualifiziertes Fachpersonal erfolgen.
- Niveau-Messwertgeber nach Anschlusschema des elektrischen Ausgangs (siehe Typenschild) verdrahten. Die Anschlussklemmen sind entsprechend gekennzeichnet.

DE

Elektrischer Ausgang	Anschlusschema
3-Leiter-Potentiometer-schaltung	
4 ... 20 mA	

- Die Kabeldurchführung ② am Anschlussgehäuse ① abdichten (siehe Abbildung in Kapitel 5.3 „Montage“).



WARNUNG!

Fehlfunktionen bei gemeinsamer Verlegung mit Netzanschlussleitungen oder bei großen Leitungslängen durch Spannungsspitzen.

Dies kann zu einer Fehlfunktion der Anlage und dadurch zu Personen- oder Sachschäden führen.

- ▶ Abgeschirmte Anschlussleitungen verwenden.
- ▶ Anschlussleitungen einseitig erden.

Zur Inbetriebnahme von Zubehör unbedingt die jeweilige Montage- und Betriebsanleitung beachten.

6. Störungen

6. Störungen



In der folgenden Tabelle sind die häufigsten Fehlerursachen und erforderliche Gegenmaßnahmen aufgeführt.

DE

Störungen	Ursachen	Maßnahmen
Niveau-Messwertgeber lässt sich nicht an der vorgesehenen Stelle am Behälter anbauen	Prozessanschluss des Niveau-Messwertgebers passt nicht zu dem Prozessanschluss des Behälters	Umbau des Behälters
	Prozessanschluss am Behälter defekt	Nacharbeiten des Gewindes oder Austauschen der Befestigungsmuffe
Keine, nicht-lineare oder undefinierte Signale	Elektrischer Anschluss falsch	Siehe Kapitel 5.4 „Elektrischer Anschluss“. Belegung mit Hilfe des Anschlussschemas prüfen.
	Messkette oder 4 ... 20 mA-Auswertelektronik defekt	Rücksendung ans Werk
	SPS-Auswertung defekt	Funktionsprüfung des Niveau-Messwertgebers mit Widerstandsmessgerät/Multimeter
Analogmessumformer zeigt Signal < 4 mA oder > 25 mA	Kabelbruch oder Messkette beschädigt	Funktionsprüfung des Niveau-Messwertgebers, Austausch nach Bedarf



VORSICHT!

Körperverletzungen, Sach- und Umweltschäden

Können Störungen mit Hilfe der aufgeführten Maßnahmen nicht beseitigt werden, Gerät unverzüglich außer Betrieb setzen.

- ▶ Sicherstellen, dass kein Druck mehr anliegt und gegen versehentliche Inbetriebnahme schützen.
- ▶ Kontakt mit dem Hersteller aufnehmen.
- ▶ Bei notwendiger Rücksendung die Hinweise unter Kapitel 8.2 „Rücksendung“ beachten.

7. Wartung und Reinigung

7. Wartung und Reinigung

7.1 Wartung

Die Niveau-Messwertgeber arbeiten bei bestimmungsgemäßem Gebrauch wartungsfrei. Sie sind jedoch im Rahmen der regelmäßigen Wartung einer Sichtkontrolle zu unterziehen und in die Druckprüfung des Behälters mit einzubeziehen.



GEFAHR!

Beim Arbeiten an Behältern besteht Vergiftungs- oder Erstickungsgefahr. Arbeiten dürfen nur unter Anwendung geeigneter Personenschutzmaßnahmen (z. B. Atemschutzgerät, Schutzkleidung o. Ä.) durchgeführt werden.

Reparaturen sind ausschließlich vom Hersteller durchzuführen.



Die Funktion der Niveau-Messwertgeber kann nur bei Verwendung von Originalzubehör und Ersatzteilen gewährleistet werden.

7.2 Reinigung



VORSICHT!

Körperverletzungen, Sach- und Umweltschäden

Eine unsachgemäße Reinigung führt zu Körperverletzungen, Sach- und Umweltschäden und zur Beschädigung des Gerätes. Messstoffreste im ausgebauten Gerät können zur Gefährdung von Personen, Umwelt und Einrichtung führen.

- ▶ Ausgebautes Gerät spülen bzw. säubern.
- ▶ Ausreichende Vorsichtsmaßnahmen sind zu ergreifen.
- ▶ Keine aggressiven Reinigungsmittel verwenden.
- ▶ Keine harten und spitzen Gegenstände zur Reinigung verwenden.

1. Vor der Reinigung das Gerät ordnungsgemäß vom Prozess und der Stromversorgung trennen.
2. Das Gerät vorsichtig mit einem feuchten Tuch reinigen.
3. Elektrische Anschlüsse nicht mit Feuchtigkeit in Berührung bringen!

8. Demontage, Rücksendung und Entsorgung



WARNUNG! **Körperverletzungen, Sach- und Umweltschäden durch Messstoffreste**

Messstoffreste im ausgebauten Gerät können zur Gefährdung von Personen, Umwelt und Einrichtung führen.

- ▶ Ausgebautes Gerät spülen bzw. säubern, um Personen und Umwelt vor Gefährdung durch anhaftende Messstoffreste zu schützen.

DE

8.1 Demontage

Messgerät nur im drucklosen und spannungsfreiem Zustand demontieren!

8.2 Rücksendung

Ausgebauten Niveau-Messwertgeber vor der Rücksendung spülen bzw. säubern, um Mitarbeiter und Umwelt vor Gefährdung durch anhaftende Messstoffreste zu schützen.



Hinweise zur Rücksendung befinden sich in der Rubrik „Service“ auf unserer lokalen Internetseite.

8.3 Entsorgung

Durch falsche Entsorgung können Gefahren für die Umwelt entstehen. Gerätekomponten und Verpackungsmaterialien entsprechend den landesspezifischen Abfallbehandlungs- und Entsorgungsvorschriften umweltgerecht entsorgen.

9. Technische Daten

9. Technische Daten

■ Typ RLT-1000

Technische Daten

Ausgangssignal	<ul style="list-style-type: none">■ Veränderlicher Widerstand Gesamtwiderstand der Reed-Kette beträgt je nach Messbereich ca. 1 ... 10 kΩ Max. Spannung < DC 40 V■ Stromausgang, 4 ... 20 mA, 2-Leiter Hilfsenergie: DC 12 ... 32 V Bürde in Ω: \leq (Hilfsenergie - 12 V) / 0,02 A
Genauigkeit, Auflösung	<ul style="list-style-type: none">■ 12 mm■ 10 mm■ 6 mm■ 3 mm
Zulässige Temperaturen	
■ Messstoff	-30 ... +80 °C (-22 ... +176 °F) Option: -30 ... +120 °C (-22 ... +248 °F) ¹⁾
■ Umgebung	-30 ... +80 °C (-22 ... +176 °F)
■ Lagerung	-30 ... +80 °C (-22 ... +176 °F)

1) Nicht mit Kabelmaterial: PVC, PUR; nicht mit Schwimmer-Außendurchmesser $\varnothing D = 30$ mm; nicht mit Anschlussgehäuse 58 x 64 x 36 mm

9. Technische Daten

■ Typ RLT-2000

Technische Daten	
Ausgangssignal	<ul style="list-style-type: none">■ Veränderlicher Widerstand Gesamtwiderstand der Reed-Kette beträgt je nach Messbereich ca. 1 ... 10 kΩ Max. Spannung < DC 40 V■ Stromausgang, 4 ... 20 mA, 2-Leiter Hilfsenergie: DC 12 ... 32 V Bürde in Ω: \leq (Hilfsenergie - 12 V) / 0,02 A
Genauigkeit, Auflösung	<ul style="list-style-type: none">■ 12 mm■ 10 mm■ 6 mm■ 3 mm
Zulässige Temperaturen	
■ Messstoff	PP: -10 ... +80 °C (14 ... 176 °F) PVDF (Option): -10 ... +80 °C (14 ... 176 °F) Option: -30 ... +120 °C (-22 ... +248 °F)
■ Umgebung	PP: -10 ... +80 °C (14 ... 176 °F) PVDF (Option): -30 ... +80 °C (-22 ... +176 °F)
■ Lagerung	PP: -10 ... +80 °C (14 ... 176 °F) PVDF (Option): -30 ... +80 °C (-22 ... +176 °F)

DE

9. Technische Daten

■ Typ RLT-3000

Technische Daten	Füllstand	Temperatur
Ausgangssignal	<ul style="list-style-type: none"> ■ Stromausgang, 4 ... 20 mA, 2-Leiter Hilfsenergie: DC 12 ... 32 V Bürde in Ω: $\leq (\text{Hilfsenergie} - 12 \text{ V}) / 0,02 \text{ A}$ 	<ul style="list-style-type: none"> ■ Pt100, 2-Leiter ■ Pt1000, 2-Leiter ■ Stromausgang, 4 ... 20 mA, 2-Leiter Hilfsenergie: DC 12 ... 32 V Bürde in Ω: $\leq (\text{Hilfsenergie} - 12 \text{ V}) / 0,02 \text{ A}$
Genauigkeit	<ul style="list-style-type: none"> ■ 12 mm ■ 10 mm ■ 6 mm ■ 3 mm <p>Für die Reed-Kettentechnik entspricht die Genauigkeit der Auflösung.</p>	<p>Klasse B nach DIN EN 60751, für Pt100 / Pt1000</p> <p>0,5 %, für Stromausgang 4 ... 20 mA</p>
Zulässige Temperaturen	<ul style="list-style-type: none"> ■ Messstoff -30 ... +100 °C (-22 ... +212 °F) ■ Umgebung -30 ... +80 °C (-22 ... +176 °F) ■ Lagerung -30 ... +80 °C (-22 ... +176 °F) 	

DE

9. Technische Daten

Übersicht Schwimmer

Form	Außen-Ø D	Höhe H	Betriebs- druck	Messstoff- temperatur	Dichte	Material
Zylinder	55 mm	65 mm	≤ 3 bar (≤ 43,5 psi)	≤ 120 °C (≤ 248 °F)	≥ 800 kg/m ³	PVDF
Zylinder	55 mm	55 mm	≤ 3 bar (≤ 43,5 psi)	≤ 80 °C (≤ 176 °F)	≥ 500 kg/m ³	PP
Zylinder	44 mm	44 mm	≤ 3 bar (≤ 43,5 psi)	≤ 80 °C (≤ 176 °F)	≥ 500 kg/m ³	PP
Zylinder	44 mm	52 mm	≤ 16 bar (≤ 232 psi)	≤ 120 °C (≤ 248 °F)	≥ 750 kg/m ³	1.4571 (316Ti)
Zylinder	30 mm	36 mm	≤ 10 bar (≤ 145 psi)	≤ 80 °C (≤ 176 °F)	≥ 850 kg/m ³	1.4571 (316Ti)
Zylinder	25 mm	17 mm	≤ 16 bar (≤ 232 psi)	≤ 80 °C (≤ 176 °F)	≥ 500 kg/m ³	Buna / NBR
Kugel	52 mm	52 mm	≤ 40 bar (≤ 580 psi)	≤ 120 °C (≤ 248 °F)	≥ 750 kg/m ³	1.4571 (316Ti)

Weitere technische Daten siehe WIKA-Datenblätter LM 50.01, LM 50.02, LM 50.05 und Bestellunterlagen.

Sommaire

1. Généralités	44
2. Conception et fonction	45
3. Sécurité	46
4. Transport, emballage et stockage	51
5. Mise en service, utilisation	51
6. Dysfonctionnements	55
7. Entretien et nettoyage	56
8. Démontage, retour et mise au rebut	57
9. Spécifications	58

Déclarations de conformité disponibles sur www.wika.fr.

1. Généralités

1. Généralités

- Les capteurs de niveau décrits dans le mode d'emploi sont conçus et fabriqués selon les dernières technologies en vigueur. Tous les composants sont soumis à des exigences environnementales et de qualité strictes durant la fabrication. Nos systèmes de gestion sont certifiés selon ISO 9001 et ISO 14001.
- Ce mode d'emploi donne des indications importantes concernant l'utilisation de l'instrument. Il est possible de travailler en toute sécurité avec ce produit en respectant toutes les consignes de sécurité et d'utilisation.
- Respecter les prescriptions locales de prévention contre les accidents et les prescriptions générales de sécurité en vigueur pour le domaine d'application de l'instrument.
- Le mode d'emploi fait partie de l'instrument et doit être conservé à proximité immédiate de l'instrument et accessible à tout moment pour le personnel qualifié. Transmettre le mode d'emploi à l'utilisateur ou propriétaire ultérieur de l'instrument.
- Le personnel qualifié doit, avant de commencer toute opération, avoir lu soigneusement et compris le mode d'emploi.
- Les conditions générales de vente mentionnées dans les documents de vente s'appliquent.
- Sous réserve de modifications techniques.
- Pour obtenir d'autres informations :
 - Consulter notre site Internet : www.wika.fr
 - Fiche technique correspondante : LM 50.01 (type RLT-2000)
LM 50.02 (type RLT-1000)
LM 50.05 (type RLT-3000)
 - Conseiller applications : Tel.: 0 820 951010 (0,15 €/min)
+33 1 787049-46
Fax: 0 891 035891 (0,35 €/min)
info@wika.fr

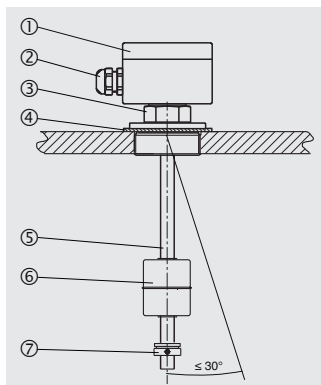
2. Conception et fonction

2. Conception et fonction

2.1 Description fonctionnelle

Les capteurs de niveau fonctionnent selon le principe du flotteur avec transmission magnétique. Un aimant permanent placé dans le flotteur ⑥ déclenche, avec son champ magnétique, la chaîne de mesure de résistance placée dans le tube de guidage ⑤. L'assemblage complet correspond à un circuit de potentiomètre 3 fils. Le flotteur ⑥ change de hauteur avec le niveau du fluide qu'il surveille. Le signal de résistance mesuré est proportionnel au niveau. La tension de mesure ainsi produite évolue avec le pas de la chaîne de mesure de résistance et est quasi-continue.

FR



- ① Boîtier de connexion
- ② Presse-étoupe
- ③ Surfaces de clé pour vissage
- ④ Etanchéité
- ⑤ Tube guide
- ⑥ Flotteur
- ⑦ Butée de flotteur

2.2 Détail de la livraison

- Transmetteur de niveau à flotteur
- Mode d'emploi

Comparer le détail de la livraison avec le bordereau de livraison.

3. Sécurité

3.1 Explication des symboles



DANGER !

... indique une situation dangereuse pouvant entraîner la mort ou des blessures graves si elle n'est pas évitée.



AVERTISSEMENT !

... indique une situation présentant des risques susceptibles de provoquer la mort ou des blessures graves si elle n'est pas évitée.



ATTENTION !

... indique une situation potentiellement dangereuse et susceptible de provoquer de légères blessures ou des dommages pour le matériel et pour l'environnement si elle n'est pas évitée.



Information

... met en exergue les conseils et recommandations utiles de même que les informations permettant d'assurer un fonctionnement efficace et normal.

3.2 Utilisation conforme à l'usage prévu

Les capteurs de niveau sont utilisés exclusivement pour surveiller les niveaux de fluides liquides. Le domaine d'application est défini par les limites techniques de performance et les matériaux.

- Les liquides doivent être exempts de toute contamination importante ou de particules en suspension grossières et ne doivent pas avoir tendance à cristalliser. Assurez-vous que les matériaux en contact avec le fluide du capteur de niveau soient suffisamment résistants au fluide qui est contrôlé. Ne convient pas aux milieux dispersés, liquides abrasifs, fluides hautement visqueux.

3. Sécurité

FR

- Cet instrument n'est pas certifié pour être utilisé en zones explosives !
- Ne pas utiliser l'instrument à proximité directe d'environnements ferromagnétiques (distance min. 100 mm).
- Ne pas utiliser l'instrument à proximité immédiate de champs électromagnétiques puissants ou d'appareils pouvant être perturbés par des champs magnétiques (distance min. 1 m).
- Les capteurs de niveau ne doivent pas être exposés à de fortes contraintes mécaniques (impacts, flexions, vibrations).
- Les spécifications techniques mentionnées dans ce mode d'emploi doivent être respectées. En cas d'utilisation non conforme ou de fonctionnement de l'instrument en dehors des spécifications techniques, un arrêt et contrôle doivent être immédiatement effectués par un collaborateur autorisé du service de WIKA.

Ces instruments sont conçus et construits exclusivement pour une utilisation conforme à l'usage prévu décrit ici, et ne doivent être utilisés qu'à cet effet.

Aucune réclamation ne peut être recevable en cas d'utilisation non conforme à l'usage prévu.



DANGER !

Le travail sur les conteneurs implique un danger d'intoxication et de suffocation. Aucun travail ne peut être effectué, sauf en prenant des mesures de protection personnelle appropriées (par exemple appareil de protection respiratoire, tenue de protection etc.).

3. Sécurité

3.3 Utilisation inappropriée

On définit un usage impropre comme étant toute application qui excède les limites techniques de performance ou étant incompatible avec les matériaux.



AVERTISSEMENT !

Blessures causées par une utilisation inappropriée

Une utilisation inappropriée peut conduire à des situations dangereuses et à des blessures.

- ▶ S'abstenir de modifications non autorisées sur l'instrument.
- ▶ Ne pas utiliser l'instrument en zone explosive.

Toute utilisation différente ou au-delà de l'utilisation prévue est considérée comme inappropriée.

Ne pas utiliser cet instrument dans des dispositifs de sécurité ou d'arrêt d'urgence.

3.4 Responsabilité de l'opérateur

L'instrument est prévu pour un usage dans le domaine industriel.

L'opérateur est de ce fait responsable des obligations légales en matière de sécurité du travail.

Les instructions de sécurité de ce mode d'emploi comme les réglementations liées à la sécurité, à la prévention des accidents et à la protection de l'environnement pour le domaine d'application doivent être respectées.

Afin de travailler en toute sécurité sur l'instrument, la société exploitante doit s'assurer

- qu'un équipement de premier secours adapté est disponible et que les premiers soins peuvent être dispensés sur place à tout moment en cas de besoin.
- que le personnel de service soit formé à intervalles réguliers sur tous les sujets concernant la sécurité du travail, les premiers secours et la protection de l'environnement et qu'il connaît le mode d'emploi et particulièrement les consignes de sécurité contenues dans celui-ci.

3. Sécurité

- que l'instrument est adapté à l'application en respect de l'usage prévu de l'instrument.
- qu'à la suite des essais, une utilisation impropre de l'instrument est exclue.

3.5 Qualification du personnel



AVERTISSEMENT !

Danger de blessure en cas de qualification insuffisante

Une utilisation non conforme peut entraîner d'importants dommages corporels et matériels.

- ▶ Les opérations décrites dans ce mode d'emploi ne doivent être effectuées que par un personnel ayant la qualification décrite ci-après.

Personnel qualifié

Le personnel qualifié, autorisé par l'opérateur, est, en raison de sa formation spécialisée, de ses connaissances dans le domaine de l'instrumentation de mesure et de régulation et de son expérience, de même que de sa connaissance des réglementations nationales et des normes en vigueur, en mesure d'effectuer les travaux décrits et d'identifier de façon autonome les dangers potentiels.

3.6 Equipement de protection individuelle

L'équipement de protection individuelle sert à protéger le personnel qualifié contre les dangers pouvant entraver la sécurité et la santé de ce dernier durant le travail. Le personnel qualifié doit porter l'équipement de protection individuelle lors de l'exécution des différents travaux sur et avec l'instrument.

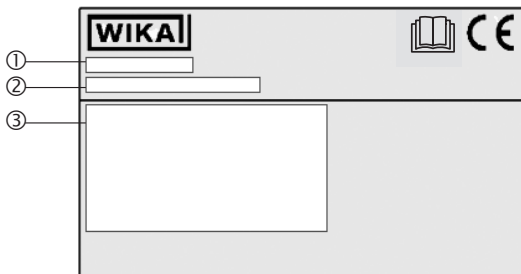
Respecter les indications concernant l'équipement de protection individuelle dans la zone de travail !

L'équipement de protection individuelle requis doit être mis à disposition par l'utilisateur.

3. Sécurité

3.7 Etiquetage, marquages de sécurité

Plaque signalétique (exemple)



FR

- ① Type
- ② P# numéro produit
S# numéro de série
- ③ Raccordement électrique



Lire impérativement le mode d'emploi avant le montage et la mise en service de l'instrument !

4. Transport ... / 5. Mise en service, utilisation

4. Transport, emballage et stockage

4.1 Transport

Vérifier s'il existe des dégâts sur le capteur de niveau qui pourraient être liés au transport. Communiquer immédiatement les dégâts constatés.



ATTENTION !

Un transport inapproprié peut donner lieu à des dommages importants.

- ▶ Observer les symboles présents sur l'emballage.
- ▶ Manipuler avec soin les marchandises emballées.

4.2 Emballage et stockage

N'enlever l'emballage qu'avant la mise en service.

Conditions admissibles sur le lieu de stockage :

Température de stockage : -30 ... +80 °C (-22 ... +176 °F)

5. Mise en service, utilisation

- Observer toutes les instructions données sur l'emballage d'expédition concernant le retrait des dispositifs de sécurité pour le transport.
- Sortir avec précaution le capteur de niveau de l'emballage !
- Lors du déballage, vérifier si les composants ne présentent aucune détérioration externe visible.

5.1 Contrôle de fonctionnement

Avant l'installation, une vérification du fonctionnement du capteur de niveau peut être effectuée avec un instrument de mesure de résistance ou un multimètre (pour les instruments ayant un signal de sortie de 4 ... 20 mA) et un mouvement manuel du flotteur.

5. Mise en service, utilisation

Le tableau suivant décrit la mesure de résistance à 3 fils et les valeurs de mesure attendue pour le mouvement du flotteur, en partant de la butée du flotteur dans la direction de l'ouverture de la cuve.

Mesure de résistance des couleurs de fil	Valeur mesurée
BN – GN (R1) Marron – vert	La valeur de résistance s'élève proportionnellement à la position du flotteur.
WH – BN (R2) Blanc – marron	La valeur de résistance baisse en proportion inverse à la position du flotteur.
GN – WH (Ri) Vert – blanc	La résistance totale de la chaîne de mesure demeure presque constante, quelle que soit la position du flotteur.



AVERTISSEMENT !

Assurez-vous que la vérification de fonctionnement ne lance pas des processus inopinés.

5.2 Préparation de l'installation

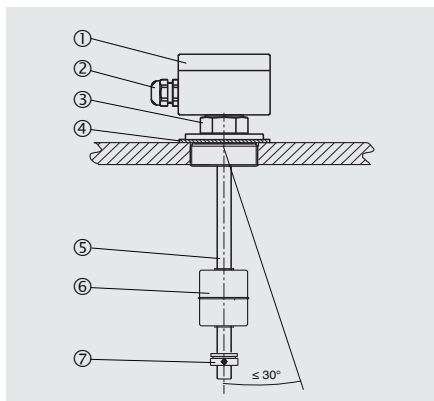
S'assurer que les surfaces d'étanchéité de la cuve ou du capteur de niveau sont propres et ne présentent aucun dommage mécanique.

5.3 Installation

- Observer les valeurs de couple des vis spécifiées dans le travail de tuyauterie.
- Concernant le choix du matériel d'installation (joints d'étanchéité, vis, rondelles et écrous), tenez compte des conditions de process. Il faut considérer l'adéquation du joint d'étanchéité par rapport au fluide et à ses vapeurs. En outre, assurez-vous qu'il possède une résistance à la corrosion correspondante.
- Le tube de guidage ⑤ ne doit pas être incliné de plus de 30° maximum par rapport à la verticale.
- Installer le capteur correctement pour la version du raccord process.

5. Mise en service, utilisation

- Si l'ouverture du raccord process est trop petite pour le flotteur, celui-ci doit être retiré avant l'installation.
 - Avant de le retirer, marquer la position de la butée de flotteur ⑦ avec un stylo résistant à l'eau
 - Marquer la position d'installation du flotteur (par exemple "vers le haut")
 - Après l'installation du capteur de niveau, le flotteur doit être refixé dans l'intérieur de la cuve (attention à la position de montage !).
 - Refixer la butée de flotteur ⑦ à l'endroit marqué.

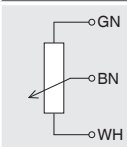
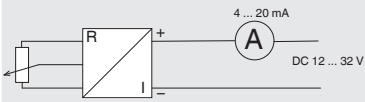


FR

5. Mise en service, utilisation

5.4 Raccordement électrique

- Les travaux de raccordement électrique ne doivent être effectués que par des personnels qualifiés.
- Raccorder le capteur de niveau en conformité avec le schéma de raccordement de la sortie électrique (voir la plaque signalétique). Les bornes de raccordement sont marquées en conséquence.

Sortie électrique	Schéma de raccordement
Circuit de potentiomètre 3 fils	
4 ... 20 mA	

- Fixer le passage de câble ② sur le boîtier de connexion ① (voir l'illustration au chapitre 5.3 "Installation").



AVERTISSEMENT !

Dysfonctionnements dus à des pics de tension parce que des câbles courent ensemble avec les lignes de raccordement secteur ou causés par d'importantes longueurs de câble.

Ceci peut conduire à un dysfonctionnement sur l'installation et conduire ainsi à des blessures du personnel ou des dommages matériels.

- ▶ Utiliser des câbles de raccordement blindés.
- ▶ Mettre à la terre les lignes de raccordement à une extrémité.

Toujours respecter le manuel d'installation et le mode d'emploi des accessoires avant de les mettre en service.

6. Dysfonctionnements

6. Dysfonctionnements



Le tableau suivant contient les causes de dysfonctionnements les plus fréquentes et les contre-mesures nécessaires.

Dysfonctionnements	Raisons	Mesures
Le capteur de niveau ne peut pas être installé à l'endroit prévu sur la cuve	Le raccord process du capteur de niveau ne correspond pas au raccord process de la cuve	Modification de la cuve
	Raccord process défectueux sur la cuve	Refaire le filetage ou remplacer la connexion vissée
Absence de signal, signaux linéaires ou indéfinis	Raccordement électrique incorrect	Voir chapitre 5.4 "Raccordement électrique". Vérifier l'affectation à l'aide du schéma de raccordement
	Chaîne de mesure ou électronique d'évaluation 4 ... 20 mA défectueuse	Retour au fabricant
	Evaluation PLC défectueuse	Vérification de fonctionnement du capteur de niveau avec un instrument de mesure de la résistance ou un multimètre
Le transmetteur analogique envoie un signal < 4 mA ou > 25 mA	Rupture de câble ou dommages sur la chaîne de mesure	Vérification du fonctionnement du capteur de niveau, remplacement si nécessaire

FR



ATTENTION !

Blessures physiques, dommages aux équipements et à l'environnement

Si les défauts ne peuvent pas être éliminés au moyen des mesures listées, l'instrument doit être mis hors service immédiatement.

- ▶ Assurez-vous qu'il n'y a plus aucune pression présente et empêchez toute remise en marche accidentelle.
- ▶ Contacter le fabricant.
- ▶ S'il est nécessaire de retourner l'instrument au fabricant, prière de respecter les indications mentionnées au chapitre 8.2 "Retour".

7. Entretien et nettoyage

7. Entretien et nettoyage

7.1 Entretien

Dans le cadre d'une utilisation adéquate, les capteurs de niveau ne nécessitent pas d'entretien. Ils doivent pourtant être soumis à une inspection visuelle dans le cadre d'un entretien régulier et être inclus dans le test de pression de cuve.

FR



DANGER !

Le travail sur les conteneurs implique un danger d'intoxication et de suffocation. Aucun travail ne peut être effectué, sauf en prenant des mesures de protection personnelle appropriées (par exemple appareil de protection respiratoire, tenue de protection etc.).

Les réparations ne doivent être effectuées que par le fabricant.



Le bon fonctionnement du capteur de niveau peut uniquement être garanti si des accessoires et pièces de rechange originaux sont utilisés.

7.2 Nettoyage



ATTENTION !

Blessures physiques, dommages aux équipements et à l'environnement

Un nettoyage inapproprié peut conduire à des blessures physiques, à des dommages aux équipements ou à l'environnement et à des dommages sur l'instrument.

Les restes de fluides se trouvant dans les instruments démontés peuvent mettre en danger les personnes, l'environnement ainsi que l'installation.

- ▶ Rincer ou nettoyer avec des moyens appropriés l'instrument qui a été démonté.
- ▶ Des mesures de sécurité suffisantes doivent être prises.
- ▶ Ne pas utiliser de détergents agressifs.
- ▶ Ne pas utiliser d'objets pointus ou durs pour le nettoyage.

1. Avant le nettoyage, débrancher correctement l'instrument du processus et de l'alimentation.
2. Nettoyer l'instrument soigneusement avec un chiffon humide.
3. Eviter tout contact des raccords électriques avec l'humidité !

8. Démontage, retour et mise au rebut



AVERTISSEMENT !

Blessures physiques et dommages aux équipements et à l'environnement liés aux résidus de fluides

Les restes de fluides se trouvant dans les instruments démontés peuvent mettre en danger les personnes, l'environnement ainsi que l'installation.

- ▶ Laver et décontaminer l'instrument démonté afin de protéger les personnes et l'environnement contre le danger lié aux résidus de fluides.

FR

8.1 Démontage

Déconnecter l'instrument de mesure seulement si le système a été mis hors pression et l'alimentation électrique a été coupée !

8.2 Retour

Laver ou nettoyer le capteur de niveau démonté avant de le retourner afin de protéger le personnel et l'environnement contre le danger lié aux restes de fluides adhérents.



Des informations relatives à la procédure de retour sont disponibles sur notre site Internet à la rubrique "Services".

8.3 Mise au rebut

Une mise au rebut inadéquate peut entraîner des dangers pour l'environnement.

Eliminer les composants des instruments et les matériaux d'emballage conformément aux prescriptions nationales pour le traitement et l'élimination des déchets et aux lois de protection de l'environnement en vigueur.

9. Spécifications

9. Spécifications

■ Type RLT-1000

Spécifications

Signal de sortie	<ul style="list-style-type: none">■ Résistance variable La résistance totale de la chaîne Reed est d'environ 1 ... 10 kΩ, en fonction de l'étendue de mesure Tension maximale < 40 VDC■ Sortie courant, 4 ... 20 mA, 2 fils Alimentation : 12 ... 32 VDC Charge en Ω : \leq (alimentation - 12 V) / 0,02 A
Précision, résolution	<ul style="list-style-type: none">■ 12 mm■ 10 mm■ 6 mm■ 3 mm
Températures admissibles	
■ Fluide	-30 ... +80 °C (-22 ... +176 °F) En option: -30 ... +120 °C (-22 ... +248 °F) ¹⁾
■ Ambiante	-30 ... +80 °C (-22 ... +176 °F)
■ Stockage	-30 ... +80 °C (-22 ... +176 °F)

1) Pas avec les matériaux de câble suivants : PVC, PUR ; pas avec diamètre extérieur du flotteur $\varnothing D = 30$ mm ; pas avec un boîtier de connexion de 58 x 64 x 36 mm

9. Spécifications

■ Type RLT-2000

Spécifications

Signal de sortie	<ul style="list-style-type: none">■ Résistance variable La résistance totale de la chaîne Reed est d'environ 1 ... 10 kΩ, en fonction de l'étendue de mesure Tension maximale < 40 VDC■ Sortie courant, 4 ... 20 mA, 2 fils Alimentation : 12 ... 32 VDC Charge en Ω : \leq (alimentation - 12 V) / 0,02 A
Précision, résolution	<ul style="list-style-type: none">■ 12 mm■ 10 mm■ 6 mm■ 3 mm
Températures admissibles	
■ Fluide	PP : -10 ... +80 °C (14 ... 176 °F) PVDF (en option) : -10 ... +80 °C (14 ... 176 °F) En option : -30 ... +120 °C (-22 ... +248 °F)
■ Ambiante	PP : -10 ... +80 °C (14 ... 176 °F) PVDF (en option) : -30 ... +80 °C (-22 ... +176 °F)
■ Stockage	PP : -10 ... +80 °C (14 ... 176 °F) PVDF (en option) : -30 ... +80 °C (-22 ... +176 °F)

FR

9. Spécifications

■ Type RLT-3000

Spécifications	Niveau	Température
Signal de sortie	<ul style="list-style-type: none"> ■ Sortie courant, 4 ... 20 mA, 2 fils Alimentation : 12 ... 32 VDC Charge en Ω : \leq (alimentation - 12 V) / 0,02 A 	<ul style="list-style-type: none"> ■ Pt100, 2 fils ■ Pt1000, 2 fils ■ Sortie courant, 4 ... 20 mA, 2-wire Alimentation : 12 ... 32 VDC Charge en Ω : \leq (alimentation - 12 V) / 0,02 A
Précision	<ul style="list-style-type: none"> ■ 12 mm ■ 10 mm ■ 6 mm ■ 3 mm <p>Pour la technologie de chaîne Reed, la précision correspond à la résolution.</p>	<p>Classe B selon DIN EN 60751, pour Pt100 / Pt1000 0,5 %, pour sortie en courant 4 ... 20 mA</p>
Températures admissibles		
■ Fluide	-30 ... +100 °C (-22 ... +212 °F)	
■ Ambiante	-30 ... +80 °C (-22 ... +176 °F)	
■ Stockage	-30 ... +80 °C (-22 ... +176 °F)	

FR

9. Spécifications

Vue générale des flotteurs

Forme	Ø D extérieur	Hau- teur H	Pression de service	Tempéra- ture fluide	Densité	Matériau
Cylindre	55 mm	65 mm	≤ 3 bar (≤ 43,5 psi)	≤ 120 °C (≤ 248 °F)	≥ 800 kg/m ³	PVDF
Cylindre	55 mm	55 mm	≤ 3 bar (≤ 43,5 psi)	≤ 80 °C (≤ 176 °F)	≥ 500 kg/m ³	PP
Cylindre	44 mm	44 mm	≤ 3 bar (≤ 43,5 psi)	≤ 80 °C (≤ 176 °F)	≥ 500 kg/m ³	PP
Cylindre	44 mm	52 mm	≤ 16 bar (≤ 232 psi)	≤ 120 °C (≤ 248 °F)	≥ 750 kg/m ³	1.4571 (316Ti)
Cylindre	30 mm	36 mm	≤ 10 bar (≤ 145 psi)	≤ 80 °C (≤ 176 °F)	≥ 850 kg/m ³	1.4571 (316Ti)
Cylindre	25 mm	17 mm	≤ 16 bar (≤ 232 psi)	≤ 80 °C (≤ 176 °F)	≥ 500 kg/m ³	Buna / NBR
Sphère	52 mm	52 mm	≤ 40 bar (≤ 580 psi)	≤ 120 °C (≤ 248 °F)	≥ 750 kg/m ³	1.4571 (316Ti)

FR

Pour de plus amples spécifications, voir le fiches techniques WIKA LM 50.01, LM 50.02, LM 50.05 et la documentation de commance.

Contenido

1. Información general	64
2. Diseño y función	65
3. Seguridad	66
4. Transporte, embalaje y almacenamiento	71
5. Puesta en servicio, funcionamiento	71
6. Errores	75
7. Mantenimiento y limpieza	76
8. Desmontaje, devolución y eliminación de residuos	77
9. Datos técnicos	78

Declaraciones de conformidad puede encontrar en www.wika.es.

1. Información general

1. Información general

- Los transmisores de nivel descritos en el manual de instrucciones están diseñados y fabricados conforme al estado actual de la técnica. Todos los componentes están sujetos a rigurosos criterios de calidad y medio ambiente durante la producción. Nuestros sistemas de gestión están certificados según ISO 9001 e ISO 14001.
- Este manual de instrucciones proporciona indicaciones importantes acerca del manejo del instrumento. Para un trabajo seguro, es imprescindible cumplir con todas las instrucciones de seguridad y manejo indicadas.
- Cumplir siempre las normativas sobre la prevención de accidentes y las normas de seguridad en vigor en el lugar de utilización del instrumento.
- El manual de instrucciones es una parte integrante del instrumento y debe guardarse en la proximidad del mismo para que el personal especializado pueda consultarlo en cualquier momento. Entregar el manual de instrucciones al usuario o propietario siguiente del instrumento.
- El personal especializado debe haber leído y entendido el manual de instrucciones antes de comenzar cualquier trabajo.
- Se aplican las condiciones generales de venta incluidas en la documentación de venta.
- Modificaciones técnicas reservadas.
- Para obtener más informaciones consultar:
 - Página web: www.wika.es
 - Hoja técnica correspondiente: LM 50.01 (modelo RLT-2000)
LM 50.02 (modelo RLT-1000)
LM 50.05 (modelo RLT-3000)
 - Servicio técnico: Tel.: +34 933 938 630
Fax: +34 933 938 666
info@wika.es

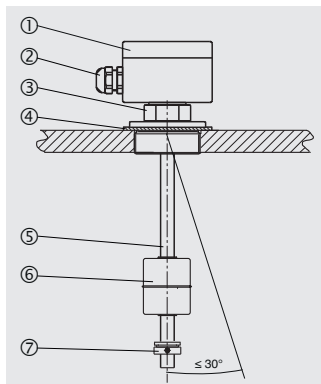
ES

2. Diseño y función

2. Diseño y función

2.1 Descripción del funcionamiento

Transmisores de nivel operan en base al principio de flotación con transmisión magnética. Un imán permanente incorporado al flotador ⑥ acciona con su campo magnético una cadena de medición de resistencias integrada en el tubo guía ⑤. Toda la estructura corresponde a un circuito de potenciómetro de 3 hilos. El flotador ⑥ modifica su posición en altura en función del nivel del medio a supervisar. La señal de resistencia medida es proporcional al nivel de llenado. La tensión de medición es de graduación muy fina y por lo tanto casi continua, debido a la rejilla de contacto de la cadena de medición de resistencias.



- ① Cabezal
- ② Prensaestopa
- ③ Superficie plana de ajuste para roscar
- ④ Obturación
- ⑤ Tubo guía
- ⑥ Flotador
- ⑦ Tope del flotador

2.2 Alcance del suministro

- Transmisor de nivel
- Manual de instrucciones

Comparar mediante el albarán si se han entregado todas las piezas.

3. Seguridad

3. Seguridad

3.1 Explicación de símbolos



¡PELIGRO!

... señala una situación inmediatamente peligrosa que causa la muerte o lesiones graves si no se evita.



¡ADVERTENCIA!

... indica una situación probablemente peligrosa que puede causar la muerte o lesiones graves si no se la evita.



¡CUIDADO!

... indica una situación probablemente peligrosa que puede causar lesiones leves o medianas, o daños materiales y medioambientales, si no se la evita.



Información

... destaca consejos y recomendaciones útiles así como informaciones para una utilización eficiente y libre de errores.

3.2 Uso conforme a lo previsto

Los transmisores de nivel sirven exclusivamente para vigilar el nivel de medios líquidos. El campo de aplicación resulta de sus límites técnicos y materiales.

- Lo líquidos no deben contener suciedad excesiva ni partículas gruesas, y tampoco deben ser propensos a cristalización. Debe asegurarse que los materiales del transmisor de nivel en contacto con el medio sean suficientemente resistentes al medio a supervisar. No adecuado para dispersiones, líquidos abrasivos, medios de alta viscosidad y colores.

3. Seguridad

- ¡Este dispositivo no está homologado para aplicaciones en zonas potencialmente explosivas!
- No operar cerca de las inmediaciones de entornos ferromagnéticos (distancia min. 100 mm).
- No operar el equipo cerca de campos electromagnéticos de gran intensidad o cerca de instalaciones que pueden verse afectadas por campos magnéticos (distancia mín 1 m).
- Los transmisores de nivel no deben someterse a cargas mecánicas intensas (golpe, torsión, vibraciones).
- Cumplir las especificaciones técnicas de este manual de instrucciones. Un manejo no apropiado o una utilización del instrumento no conforme a las especificaciones técnicas requiere la inmediata puesta fuera de servicio y la comprobación por parte de un técnico autorizado por WIKA.

ES

El instrumento ha sido diseñado y construido únicamente para la finalidad aquí descrita y debe utilizarse en conformidad a la misma.

No se admite ninguna reclamación debido a una utilización no conforme a lo previsto.



¡PELIGRO!

Existe peligro de intoxicación y de asfixia al trabajar en depósitos. Los trabajos deben realizarse solo con las medidas adecuadas de protección de las personas (p.ej. equipo respirador, ropa protectora, etc.).

3. Seguridad

3.3 Uso incorrecto

Se define como mal uso cualquier utilización que supere los límites técnicos o sea incompatible con los materiales.



¡ADVERTENCIA!

Lesiones por uso incorrecto

El uso incorrecto del dispositivo puede causar lesiones graves o la muerte.

- ▶ Abstenerse realizar modificaciones no autorizadas del dispositivo.
- ▶ No utilizar el dispositivo en zonas potencialmente explosivas.

ES

Cualquier uso que no sea el previsto para este dispositivo es considerado como uso incorrecto.

No utilizar este instrumento en sistemas de seguridad o dispositivos de parada de emergencia.

3.4 Responsabilidad del usuario

El dispositivo se utiliza en el sector industrial. Por lo tanto, el usuario está sujeto a las responsabilidades legales para la seguridad en el trabajo.

Se debe cumplir las notas de seguridad en este manual de instrucciones, así como la validez de las normas de seguridad de la unidad, de prevención de accidentes y protección del medio ambiente.

Para realizar un trabajo seguro en el instrumento el propietario ha de asegurarse de que,

- esté disponible un kit de primeros auxilios que siempre esté presente y ayude en caso necesario.
- los operadores reciban periódicamente instrucciones sobre todos los temas referidos a seguridad de trabajo, primeros auxilios y protección del medio ambiente, y conozcan además el manual de instrucciones y en particular las instrucciones de seguridad del mismo.
- el instrumento sea adecuado de acuerdo con el uso previsto para la aplicación.
- una vez examinado, quede excluido un uso no autorizado del dispositivo.

3. Seguridad

3.5 Cualificación del personal



¡ADVERTENCIA!

Riesgo de lesiones debido a una insuficiente cualificación

Un manejo no adecuado puede causar considerables daños personales y materiales.

- ▶ Las actividades descritas en este manual de instrucciones deben realizarse únicamente por personal especializado con la consiguiente cualificación.

Personal especializado

Debido a su formación profesional, a sus conocimientos de la técnica de regulación y medición así como a su experiencia y su conocimiento de las normativas, normas y directivas vigentes en el país de utilización el personal especializado autorizado por el usuario es capaz de ejecutar los trabajos descritos y reconocer posibles peligros por sí solo.

3.6 Equipo de protección individual

El equipo de protección individual protege al personal especializado contra peligros que puedan perjudicar la seguridad y salud del mismo durante el trabajo. El personal especializado debe llevar un equipo de protección individual durante los trabajos diferentes en y con el instrumento.

¡Cumplir las indicaciones acerca del equipo de protección individual en el área de trabajo!

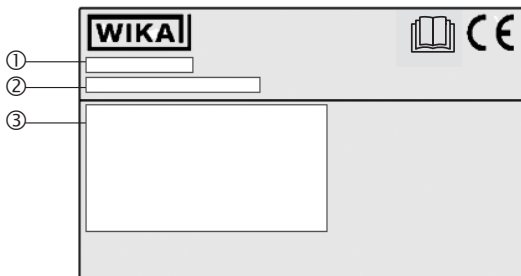
El propietario debe proporcionar el equipo de protección individual.

ES

3. Seguridad

3.7 Rótulos, marcajes de seguridad

Placa de identificación (ejemplo)



ES

- ① Modelo
- ② P# Número de producto
S# Número de serie
- ③ Conexión eléctrica



¡Es absolutamente necesario leer el manual de instrucciones antes del montaje y la puesta en servicio del instrumento!

4. Transporte, embalaje y almacenamiento

4.1 Transporte

Comprobar si el transmisor de nivel presenta eventuales daños causados en el transporte. Notificar daños obvios de forma inmediata.



¡CUIDADO!

Transportes inadecuados pueden causar daños materiales considerables.

- ▶ Observar los símbolos en el embalaje.
- ▶ Tratar los paquetes con cuidado.

4.2 Embalaje y almacenamiento

No quitar el embalaje hasta justo antes de la puesta en servicio.

Condiciones admisibles en el lugar de almacenamiento:

Temperatura de almacenamiento: -30 ... +80 °C (-22 ... +176 °F)

ES

5. Puesta en servicio, funcionamiento

- Observe todas las indicaciones en el embalaje de envío sobre la remoción de los seguros de transportes.
- ¡Quitar con cuidado el embalaje del transmisor de nivel!
- Durante el desembalaje, controlar si las piezas presentan daños exteriores.

5.1 Prueba de funcionamiento

Antes de realizar el montaje, en caso de instrumentos con señal de salida de 4 ... 20 mA y desplazamiento manual del flotador, puede efectuarse una comprobación de funcionamiento del transmisor de nivel mediante un instrumento de medición de resistencia o un multímetro.

5. Puesta en servicio, funcionamiento

La tabla siguiente describe la medición de resistencia de 3 hilos y los valores de medición esperados en caso de un desplazamiento del flotador desde el tope hacia la abertura en el tanque.

Medición de resistencia de los conductores de diferentes colores	Valor de medición
BN – GN (R1) Marrón – Verde	El valor de resistencia aumenta de forma proporcional a la posición del flotador.
WH – BN (R2) Blanco – Marrón	El valor de resistencia se reduce de forma inversamente proporcional a la posición del flotador.
GN – WH (Ri) Verde – Blanco	La resistencia total de la cadena de medición permanece constante independientemente de la posición del flotador

ES




¡ADVERTENCIA!

Asegurarse de que la comprobación de funcionamiento no inicie procesos no intencionados.

5.2 Preparación del montaje

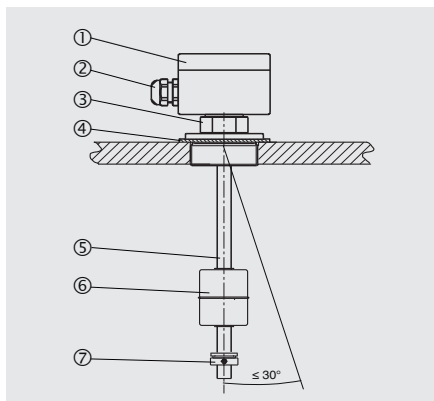
Asegurarse de que las superficies de sellado del depósito o del transmisor de nivel estén limpias y no presenten daños mecánicos.

5.3 Montaje

- Observar los pares de apriete de los tornillos especificados en la construcción de tubería.
- Al seleccionar los materiales de montaje (juntas, tornillos, arandelas y tuercas) tener en cuenta las condiciones del proceso. La junta debe ser apta con respecto al medio y a sus vapores. Además, hay que asegurarse que sea a prueba de corrosión.
- El tubo guía  debe ser inclinado de 30° como máximo respecto a la vertical.
- Montar el transmisor de nivel debidamente en función de la versión de la conexión a proceso.

5. Puesta en servicio, funcionamiento

- Si la abertura de la conexión a proceso es demasiado pequeña para el flotador, este último debe retirarse antes del montaje.
 - Marcar la posición del tope del flotador ⑦ con un rotulador indeleble antes del desmontaje
 - Marcar la posición de montaje del flotador (p. ej. "arriba")
 - Después del montaje del transmisor de nivel, se debe volver a montar el flotador en el interior del tanque (¡tener en cuenta la posición de montaje!).
 - Volver a fijar el tope del flotador ⑦ en el punto marcado.

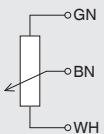
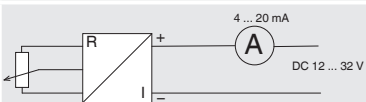


ES

5. Puesta en servicio, funcionamiento

5.4 Conexión eléctrica

- La conexión eléctrica sólo la puede realizar personal especializado y cualificado.
- Cablear el transmisor de nivel según el esquema de conexión de la salida eléctrica (véase la placa de identificación). Las bornes están marcados.

Salida eléctrica	Esquema de conexión
Circuito de potenciómetro de 3 hilos	
4 ... 20 mA	

- Sellar la entrada de cable ② en la caja de conexión ① (véase la ilustración en el capítulo 5.3 “Montaje”).



¡ADVERTENCIA!

Mal funcionamiento en caso de colocación junto con líneas de conexión de red o en caso de longitudes de cable grandes debido a picos de tensión.

Esto puede provocar un mal funcionamiento de la instalación y por lo tanto daños personales y materiales.

- ▶ Utilizar líneas de conexión blindadas.
- ▶ Poner a tierra las líneas de conexión en un lado.

Para la puesta en servicio de accesorios es absolutamente necesario observar el manual de instrucciones y las instrucciones de montaje correspondientes.

6. Errores

6. Errores



La tabla siguiente contiene las causas más frecuentes de fallos y las medidas de subsanación que se requieren.

Errores	Causas	Medidas
El transmisor de nivel no se puede montar en el lugar previsto del depósito	La conexión al proceso del transmisor de nivel no coincide con la conexión al proceso del depósito	Modificación del depósito
	Conexión a proceso en el depósito defectuoso	Repasar la rosca o cambiar el manguito de fijación
Ninguna señal, señales no lineales o señales indefinidas	Conexión eléctrica incorrecta	Véase el capítulo 5.4 "Conexión eléctrica". Comprobar la asignación mediante el esquema de conexión.
	Cadena de medición o sistema de evaluación electrónico 4 ... 20 mA defectuosos	Devolución a fábrica
	Evaluación PLC defectuosa	Comprobación de funcionamiento del transmisor de nivel mediante instrumento de medición de resistencia/multímetro
Transmisor analógico indica señal < 4 mA o > 25 mA	Rotura de cable o cadena de medición dañada	Comprobación de funcionamiento del transmisor de nivel, sustitución según necesidad

ES



¡CUIDADO!

Lesiones corporales, daños materiales y del medio ambiente

Si no se pueden solucionar los defectos mencionados se debe poner el dispositivo inmediatamente fuera de servicio.

- ▶ Asegurar que el instrumento ya no esté sometido a presión y protegerlo contra una puesta en marcha accidental.
- ▶ Contactar con el fabricante.
- ▶ En caso de devolución, observar las indicaciones del capítulo 8.2 "Devolución".

7. Mantenimiento y limpieza

7. Mantenimiento y limpieza

7.1 Mantenimiento

Los transmisores de nivel trabajan libres de mantenimiento si se usan conforme a lo previsto. Sin embargo, deben someterse a una inspección visual como parte del mantenimiento regular, e incluirse en la prueba de presión del depósito.



¡PELIGRO!

Existe peligro de intoxicación y de asfixia al trabajar en depósitos. Los trabajos deben realizarse solo con las medidas adecuadas de protección de las personas (p.ej. equipo respirador, ropa protectora, etc.).

ES

Todas las reparaciones solamente las debe efectuar el fabricante.



El funcionamiento del transmisor de nivel solo puede ser garantizado utilizando los accesorios y piezas de recambio originales.

7.2 Limpieza



¡CUIDADO!

Lesiones corporales, daños materiales y del medio ambiente

Una limpieza inadecuada provoca lesiones corporales, daños materiales y del medio ambiente y puede dañar el dispositivo. Medios residuales en el instrumento desmontado pueden causar riesgos para personas, medio ambiente e instalación.

- ▶ Lavar o limpiar el dispositivo desmontado.
- ▶ Tomar adecuadas medidas de precaución.
- ▶ No utilizar productos de limpieza agresivos.
- ▶ No utilizar ningún objeto puntiagudo o duro para la limpieza.

1. Antes de limpiar desconectar el instrumento debidamente del proceso y de la alimentación de corriente.
2. Limpiar el instrumento con cuidado con un trapo húmedo.
3. ¡No poner las conexiones eléctricas en contacto con la humedad!

8. Desmontaje, devolución y eliminación de residuos

8. Desmontaje, devolución y eliminación de residuos



¡ADVERTENCIA!

Lesiones corporales, daños materiales y del medio ambiente por medios residuales

Medios residuales en el instrumento desmontado pueden causar riesgos para personas, medio ambiente e instalación.

- ▶ Enjuagar y limpiar el dispositivo desmontado para proteger a las personas y el medio ambiente contra peligros por medios residuales adherentes.

8.1 Desmontaje

¡Desmontar el instrumento de medición sólo si no está sometido a tensión!

8.2 Devolución

Una vez desmontado el transmisor de nivel se debe enjuagar y limpiar antes de devolverlo para proteger a las personas y el medio ambiente contra medios residuales de medición.



Comentarios sobre el procedimiento de las devoluciones encuentra en el apartado “Servicio” en nuestra página web local.

8.3 Eliminación de residuos

Una eliminación incorrecta puede provocar peligros para el medio ambiente.

Eliminar los componentes de los instrumentos y los materiales de embalaje conforme a los reglamentos relativos al tratamiento de residuos y eliminación vigentes en el país de utilización.

ES

9. Datos técnicos

9. Datos técnicos

■ Modelo RLT-1000

Datos técnicos

Señal de salida	<ul style="list-style-type: none">■ Resistencia variable La resistencia total de la cadena Reed es, según el rango de medición, de aprox. 1 ... 10 kΩ Tensión máx.< DC 40 V■ Salida de corriente, 4 ... 20 mA, 2 hilos Alimentación auxiliar: DC 12 ... 32 V Carga en Ω: \leq (energía auxiliar - 12 V) / 0,02 A
Exactitud, resolución	<ul style="list-style-type: none">■ 12 mm■ 10 mm■ 6 mm■ 3 mm
Temperaturas admisibles	
■ Medio	-30 ... +80 °C (-22 ... +176 °F) Opcional: -30 ... +120 °C (-22 ... +248 °F) ¹⁾
■ Ambiente	-30 ... +80 °C (-22 ... +176 °F)
■ Almacenamiento	-30 ... +80 °C (-22 ... +176 °F)

1) No con material de cable: PVC, PUR; no con diámetro exterior del flotador $\varnothing D = 30$ mm;
no con cabezal 58 x 64 x 36 mm

9. Datos técnicos

■ Modelo RLT-2000

Datos técnicos

Señal de salida	<ul style="list-style-type: none">■ Resistencia variable La resistencia total de la cadena Reed es, según el rango de medición, de aprox. 1 ... 10 kΩ Tensión máx.< DC 40 V■ Salida de corriente, 4 ... 20 mA, 2 hilos Alimentación auxiliar: DC 12 ... 32 V Carga en Ω: \leq (energía auxiliar - 12 V) / 0,02 A
Exactitud, resolución	<ul style="list-style-type: none">■ 12 mm■ 10 mm■ 6 mm■ 3 mm
Temperaturas admisibles	
■ Medio	PP: -10 ... +80 °C (14 ... 176 °F) PVDF (opcional): -10 ... +80 °C (14 ... 176 °F) Opcional: -30 ... +120 °C (-22 ... +248 °F)
■ Ambiente	PP: -10 ... +80 °C (14 ... 176 °F) PVDF (opcional): -30 ... +80 °C (-22 ... +176 °F)
■ Almacenamiento	PP: -10 ... +80 °C (14 ... 176 °F) PVDF (opcional): -30 ... +80 °C (-22 ... +176 °F)

ES

9. Datos técnicos

■ Modelo RLT-3000

Datos técnicos	Nivel	Temperatura
Señal de salida	<ul style="list-style-type: none"> ■ Salida de corriente, 4 ... 20 mA, 2 hilos Alimentación auxiliar: DC 12 ... 32 V Carga en Ω: \leq (alimentación auxiliar - 12 V) / 0,02 A 	<ul style="list-style-type: none"> ■ Pt100, 2 hilos ■ Pt1000, 2 hilos ■ Salida de corriente, 4 ... 20 mA, 2 hilos Alimentación auxiliar: DC 12 ... 32 V Carga en Ω: \leq (alimentación auxiliar - 12 V) / 0,02 A
Exactitud	<ul style="list-style-type: none"> ■ 12 mm ■ 10 mm ■ 6 mm ■ 3 mm <p>Para la tecnología de cadena Reed, la exactitud corresponde a la resolución.</p>	<p>Clase B según DIN EN 60751, para Pt100 / Pt1000</p> <p>0,5 %, para salida de corriente 4 ... 20 mA</p>
Temperaturas admisibles		
<ul style="list-style-type: none"> ■ Medio ■ Ambiente ■ Almacenamiento 	<p>-30 ... +100 °C (-22 ... +212 °F)</p> <p>-30 ... +80 °C (-22 ... +176 °F)</p> <p>-30 ... +80 °C (-22 ... +176 °F)</p>	

ES

9. Datos técnicos

Vista general de los flotadores

Forma	Diámetro exterior D	Altura H	Presión de trabajo	Temperatura del medio	Densidad	Material
Cilindro	55 mm	65 mm	≤ 3 bar (≤ 43,5 psi)	≤ 120 °C (≤ 248 °F)	≥ 800 kg/m ³	PVDF
Cilindro	55 mm	55 mm	≤ 3 bar (≤ 43,5 psi)	≤ 80 °C (≤ 176 °F)	≥ 500 kg/m ³	PP
Cilindro	44 mm	44 mm	≤ 3 bar (≤ 43,5 psi)	≤ 80 °C (≤ 176 °F)	≥ 500 kg/m ³	PP
Cilindro	44 mm	52 mm	≤ 16 bar (≤ 232 psi)	≤ 120 °C (≤ 248 °F)	≥ 750 kg/m ³	1.4571 (316Ti)
Cilindro	30 mm	36 mm	≤ 10 bar (≤ 145 psi)	≤ 80 °C (≤ 176 °F)	≥ 850 kg/m ³	1.4571 (316Ti)
Cilindro	25 mm	17 mm	≤ 16 bar (≤ 232 psi)	≤ 80 °C (≤ 176 °F)	≥ 500 kg/m ³	Buna / NBR
Bola	52 mm	52 mm	≤ 40 bar (≤ 580 psi)	≤ 120 °C (≤ 248 °F)	≥ 750 kg/m ³	1.4571 (316Ti)

ES

Para más datos técnicos véase las hojas técnicas de WIKA LM 50.01, LM 50.02, LM 50.05 y la documentación de pedido.