

Opto Electronic Level Switch

Schaltverstärker Typ KSR-OPTO.250X.XX
Transducer Type KSR-OPTO.X1X300XXX.06XX
Transducer Type KSR-OPTO.0032
Transducer Type KSR-OPTO.0042

INSTRUCTION MANUAL

KSR KUEBLER Niveau-Messtechnik GmbH

Heinrich-Kuebler-Platz 1
69439 Zwingenberg am Neckar
Phone: 0 62 63/87-0
Fax: 0 62 63/87-99
E-Mail: info@ksr-kuebler.com
Internet: www.ksr-kuebler.com

CONTENT

	Page
1. WORKING PRINCIPLE	5
1.1 Used symbols	5
1.2 Quality	6
1.3 RANGE OF APPLICATION	7
1.4 Range of Application, Selection of products	8
1.5 Installation hints	9
1.5.1 Transducer Type KSR-OPTO.0042, connections for glass apparatus	9
1.5.2 Transducer Type KSR-OPTO.0032	9
1.5.3 Transducer Type Typ KSR-OPTO.X1X300XXX.06XX	10
2. SELECTION TABLE	11
2.1 Multi-part Transducer Type KSR-OPTO.X1X300XXX.06XX	12
2.1.1 Multi-part Transducer Type KSR-OPTO.X1X300XXX.0660	12
2.1.2 Multi-part Transducer Type KSR-OPTO.X1X300XXX.0680	12
2.1.3 Multi-part Transducer Type KSR-OPTO.X1X300XXX.0689	12
2.1.4 Multi-part Transducer Type KSR-OPTO.X1X300XXX.06XX	13
2.1.5 Construction details of Level and Interface sensors	13
2.2 One-piece Transducer Type KSR-OPTO.....0032	14
2.3 One-piece Transducer Type KSR-OPTO.....0042, completely made of glass	14
2.4 Amplifier 19" type KSR-OPTO.250X.X7	15
2.5 Amplifier in a damp-proofed housing type KSR-OPTO.250X.X1	17
3. PUTTING INTO OPERATION	18
3.1 Mechanical assembly of the transducer	18
3.1.1 Pressure and leage test	19
3.2 Mechanische Montage des Schaltverstärkers	20
3.3 Electrical connection transducer and amplifier	20
3.3.1 Connection diagram transducer and amplifier	21
3.3.2 Electrical Connection Transducer	22
3.3.3 Elektrischer Anschluss Schaltverstärker	22
3.4 Connection supply	23
3.5 Connection relays	23
3.6 Function control	23
4. OPERATION	24
4.1 Setting of fail-safe direction with switch S1	24
4.2 Calibration with CAL	25

4.3 Justage of time delay	26
4.4 TEST- Procedure	27
4.5 Operating characteristics relay signal	28
4.6 Operating characteristics relay failure	28
5. MAINTENANCE	28
6. GUARANTEE	28
7. RETURN-TO-MANUFACTURER	29
8. DISPOSAL	29
9. REPAIR	30
9.1 Repair Transducer	30
9.2 Replacing fuse of amplifier	30
9.3 Miscellaneous	30
10. TROUBLE SHOOTING	31
11. TECHNICAL DATA	32
11.1 Transducer	32
11.1.1 One-piece transducer	32
11.1.2 Multi-part transducer	33
11.2 Amplifier	34
12. SELECTION CODE	36
12.1 Type KSR-OPTO.0032 one-piece transducer	36
12.2 Type KSR-OPTO.0042 out of glass, one-piece transducer	37
12.3 Typ KSR-OPTO.X1X300XXX.06XX multi-part transducer	38
12.4 Typ KSR-OPTO.250X.XX Controller	41
13. EC-TYPE_EXAMINATION CERTIFICATES	42
13.1 EU DECLARATION OF CONFORMITY	55

1. WORKING PRINCIPLE

1.1 Used symbols



WARNUNG!

Indicates a potentially dangerous situation in a potentially explosive atmosphere, resulting in serious injury or death, if not avoided.



Non-observance of these instructions and their contents may result in the loss of explosion protection. Observe the European Use Directive (EN 60 079-10:2011 ff)

Observe the information given in the applicable type examination certificate and the relevant country-specific regulations for installation and use in potentially explosive atmospheres (e.g. IEC 60079-14:2012, NEC, CEC). Non-observance can result in serious injury and/or damage to equipment.

For hazardous media such as oxygen, acetylene, flammable or toxic gases or liquids, and refrigeration plants, compressors, etc., in addition to all standard regulations, the appropriate existing codes or regulations must also be followed.



SAFETY HINTS

Before installation, commissioning and operation, ensure that the appropriate instrument has been selected in terms of measuring range, design and specific measuring conditions.

Serious injuries and/or damage can occur should these not be observed.

When assembling or dismantling the transducer it is absolutely to be paid attention to the fact that the container is without pressure.

Attention: Risk of injury with insufficient qualification! Improper handling can result in considerable injury and damage to equipment. The activities described in these operating instructions may only be carried out by skilled personnel who have the qualifications described below. Keep unqualified personnel away from hazardous areas.

For hazardous media such as oxygen, acetylene, flammable or toxic gases or liquids, and refrigeration plants, compressors, etc., in addition to all standard regulations, the appropriate existing codes or regulations must also be followed.

To ensure safe working on the instrument, the operating company must ensure that suitable first-aid equipment is available and aid is provided whenever required that the operating personnel are regularly instructed in all topics regarding work safety, first aid and environmental protection and knows the operating instructions and, in particular, the safety instructions contained therein.

Residual media in dismantled instruments may result in a risk to people, the environment and the system. Take sufficient precautionary measures.

Do not use this instrument in safety or Emergency Stop devices. Incorrect use of the instrument can result in injury.

Should a failure occur, aggressive media with extremely high temperature and under high pressure or vacuum may be present at the instrument.

WARNING!



Danger of death caused by electric current Upon contact with live parts, there is a direct danger of death.

Electrical instruments may only be installed and mounted by skilled electrical personnel.

Operation using a defective power supply unit (e.g. short circuit from the mains voltage to the output voltage) may result in life-threatening voltages on the instrument!

1.2 Quality

All devices are produced within an approved QM-System under DIN EN ISO 9001.

1.3 RANGE OF APPLICATION

These devices are used for level detection. The conical tip of the sensor ensures really precise on-off performance level sensing. Its reaction is independent of various physical parameters of the liquid such as density, dielectric constant, conductivity, colour or refractive index. This allows the use for safe level switching as well as for precise level control applications. If there is any foam you even can decide whether to use the sensor for foam level or liquid level control, suppressing the influence of foam on switching.

If the sensor is supplied with a U-tip, it is able to sense changes in refractive index. So it can be used for example as an interface level switch for liquids.

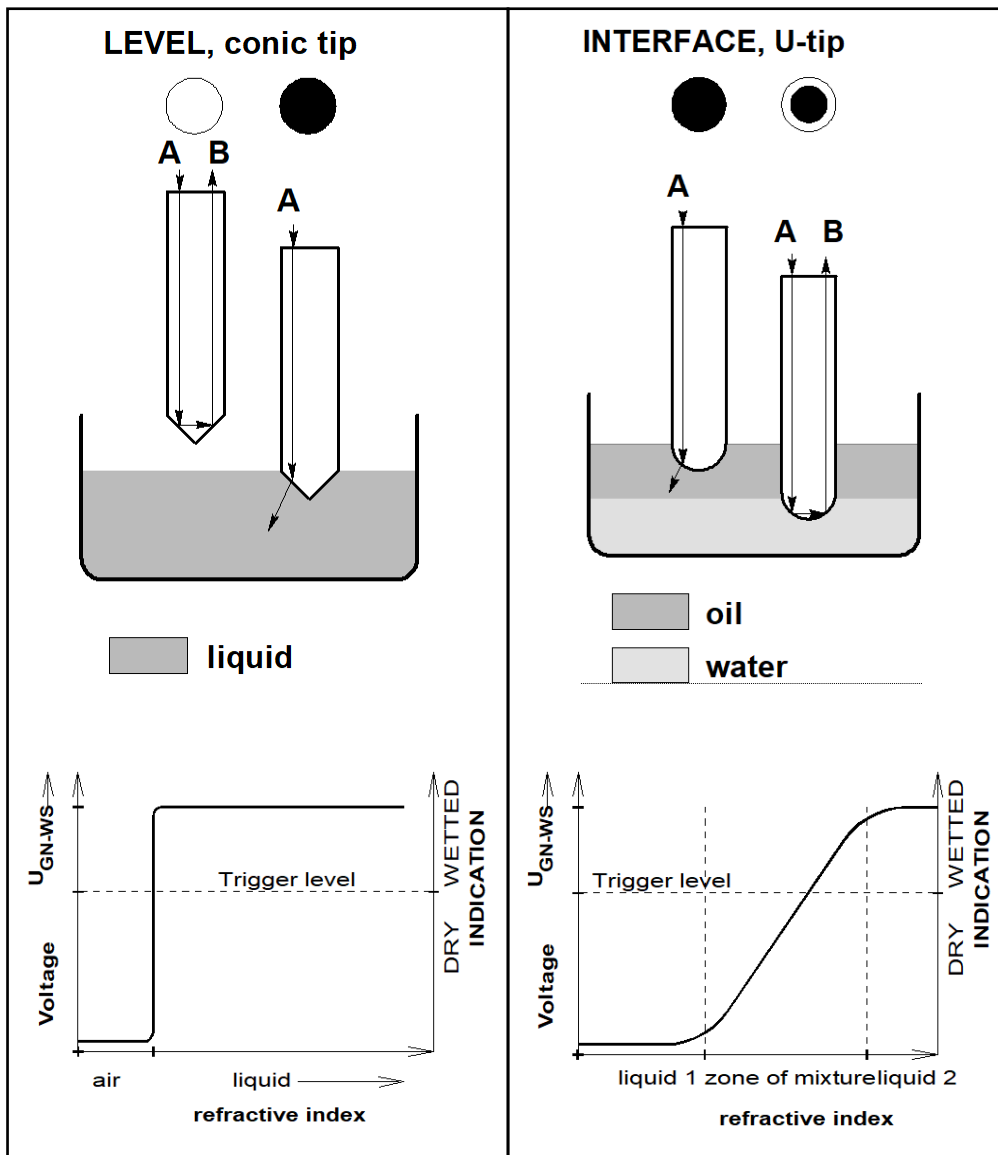


Fig. 1

1.4 Range of Application, Selection of products

Type	pressure / bar	temperature / °C
KSR-OPTO.0042	10*)	250
KSR-OPTO.0032	50	95
KSR-OPTO.X1X300XXX.06XX	250 (500)**)	400**)

*) depends on connection type **) Derating see following table

Short thread, material 1.4571

	temperature / °C		
	50	250	400
Druck / bar	250	195	175

Andere Werkstoffe auf Anfrage

langes Gewinde, Werkstoff 1.4571:

	temperature / °C	
	50	400
Pressure / bar	500	416

Other materials on request

Fig. 2

All these transducers need a switch amplifier type KSR-OPTO.250X.XX for power supply and switch state signalling.

For the multi-part transducers type KSR-OPTO.21X300XXX.06XX the following certificates apply:

- Ex class Ex ib op is IIC T6 (bis 60 °C) bzw. T5 (bis 75 °C), ZELM 06 ATEX 0299 zone 0 + zone 1



Transducer type KSR-OPTO.21X300XXX.06XX:



If medium touches parts consist of titanium, the operator has to take care that no metallic fittings can beat to the sensor parts and therefore could trigger a blow spark in the container.



Amplifier type KSR-OPTO.250X.XX:

It is not allowed to connect a hazardous live circuit and a SELV or PELV circuit on the potential-free contact sets at the same time.

1.5 Installation hints

The sensors may be installed in any direction, i. e. from top, bottom, sideways or inclined. In some special applications it is recommended to use following hints:

- High viscosity: sideways or from bottom
- Dry Running protection for pumps: If the pipes to or from the pump are installed horizontally use top mounting for fast detection of liquid
- Overfill prevention devices: Usually vertically from above

1.5.1 Transducer Type KSR-OPTO.0042, connections for glass apparatus

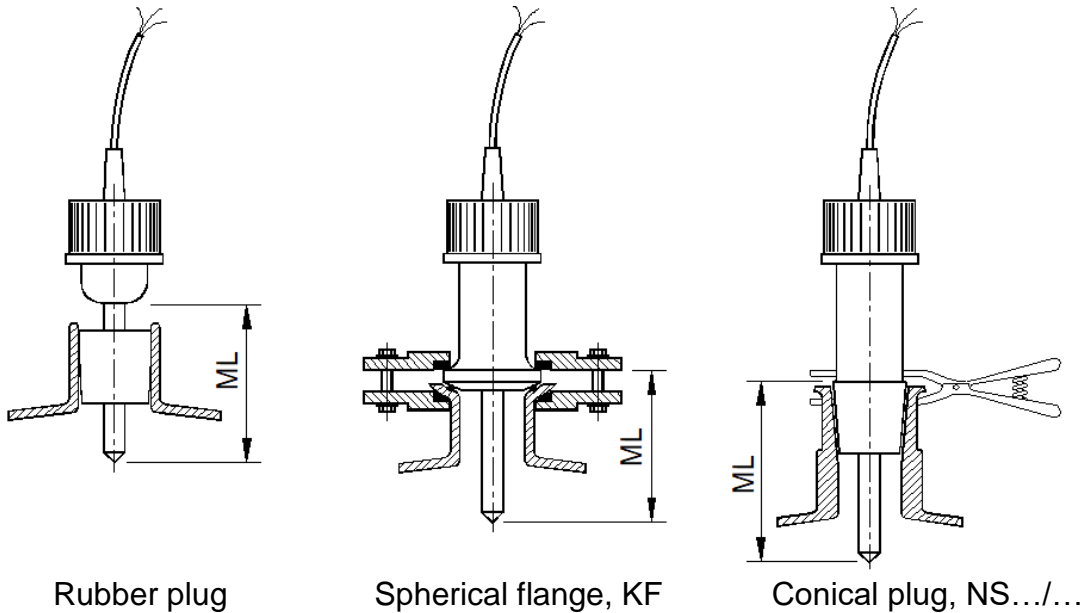
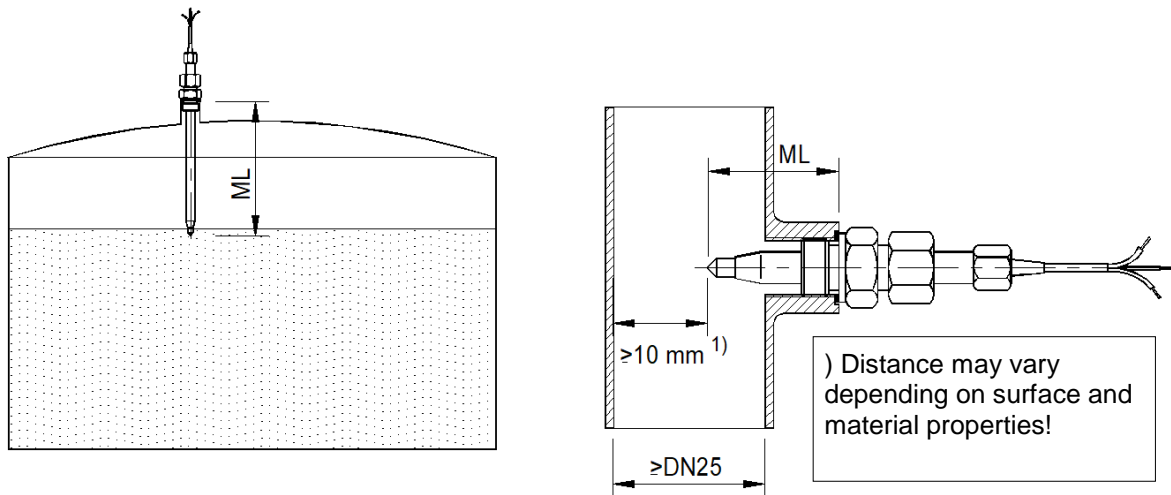


Fig. 3

1.5.2 Transducer Type KSR-OPTO.0032



Installation from top for storage tanks
ML max. 2000 mm, if required fixing
near the sensor tip is possible

Installation sideways into pipe or tank
wall, tip has to protrude beyond union
to avoid sensing of gas bubbles

Fig. 4

1.5.3 Transducer Type Typ KSR-OPTO.X1X300XXX.06XX

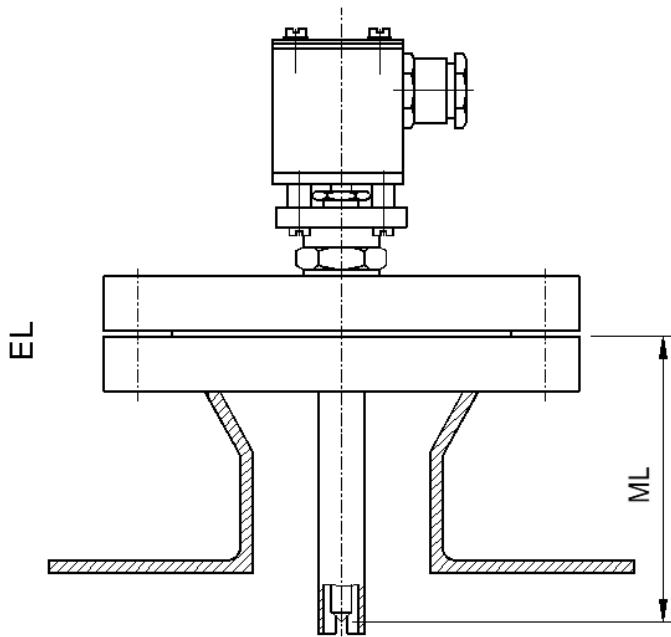


Fig. 5

Installation of Type KSR-OPTO.X1X300XXX.0680 from top with flange connection e. g. as Overfill Prevention Device. EL is measured between flange face and sensor tip.

Minimum flange size is DN25 PN6 or ANSI 1" 150 lbs and all face types may be used. Flange and sensor housing may be welded together especially for dangerous or toxic media.

In this case there is no hexagon at the sensor housing.

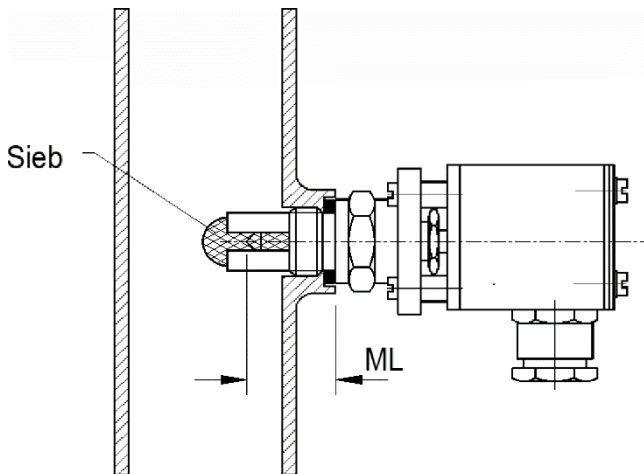


Abb. 6

Installation sideways into pipe or wall of Type KSR-OPTO.X1X300XXX.0660, e. g. in a pump's suction pipe.

It may be equipped with a sieve to reject gas bubbles from the sensor tip which ensures switching only when the pipe runs empty.

The Type KSR-OPTO.X1X300XXX.0660 shown here has a fixed measure ML of 25 mm..

2. SELECTION TABLE

Each Unit consists of a Transducer and a Controller (Switch Amplifier). The Transducer may be of one-piece or multi-part design. Ex types are generally constructed as multi-part types. Multi-part Transducers can be equipped with a heat-sink to expand the operating temperature range.

Standard versions

Design data		Measuring length ML [mm]	Transducer multi-part: KSR-OPTO.X1X300000.06XX, one-piece: KSR-OPTO....0032, KSR-OPTO....0042	Applicable amplifier
Temp. [°C]	Pressure [bar]			
-60/+250	5	50 - 250	KSR-OPTO.111X000XX.0042	KSR-OPTO.2501.XX
-30/+95	50	18 - 49	KSR-OPTO.11X300000.0032	KSR-OPTO.2501.XX
-30/+95	50	30 - 1500	KSR-OPTO.11X300XXX.0032	KSR-OPTO.2501.XX
-65/+250	250	25	KSR-OPTO.11X300000.0660/.0661	KSR-OPTO.2501.XX
-65/+250	250	50 - 960	KSR-OPTO.11X300XXX.0680/.0681	KSR-OPTO.2501.XX
-269/+400	250	25	KSR-OPTO.11X300000.0669/.0668	KSR-OPTO.2501.XX
-269/+400	250	50 - 960	KSR-OPTO.11X300XXX.0689/.0688	KSR-OPTO.2501.XX

Ex- versions

Design data		Measuring length ML [mm]	Transducer multi-part: KSR-OPTO.X1X300000.06XX, one-piece: KSR-OPTO....0032, KSR-OPTO....0042	Applicable amplifier
Temp. [°C]	Pressure [bar]			
-65/+250	250	25	KSR-OPTO.21X300000.0660/.0661	KSR-OPTO.2502.XX
-65/+250	250	50 - 960	KSR-OPTO.21X300XXX.0680/.0681	KSR-OPTO.2502.XX
-269/+400	250	25	KSR-OPTO.21X300000.0669/.0668	KSR-OPTO.2502.XX
-269/+400	250	50 - 960	KSR-OPTO.21X300XXX.0689/.0688	KSR-OPTO.2502.XX

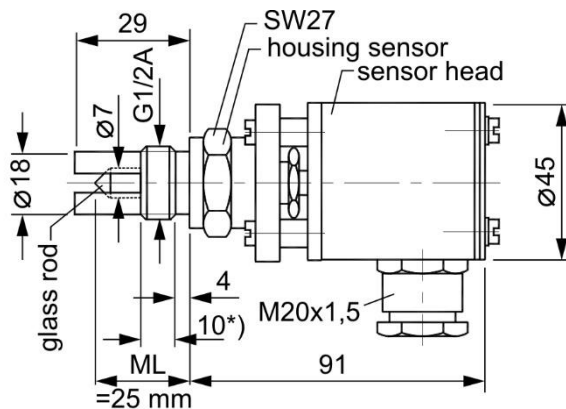
For X see selection code chapter 10.

Tab. 1

Amplifier may be constructed as 19" plug-in modules or built into a plastic housing with a clear cover.

2.1 Multi-part Transducer Type KSR-OPTO.X1X300XXX.06XX

2.1.1 Multi-part Transducer Type KSR-OPTO.X1X300XXX.0660

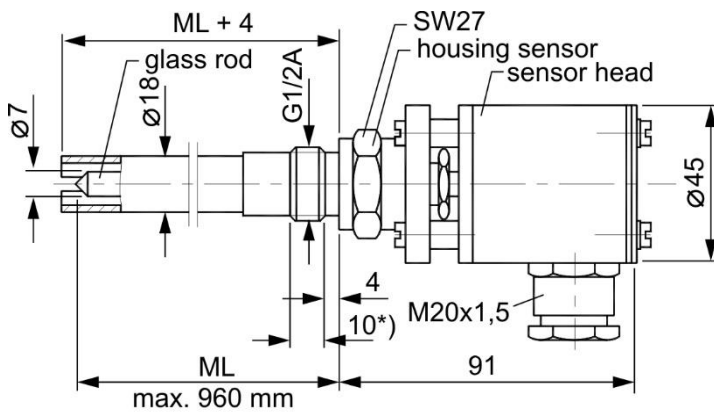


Fixed measuring length ML, no extension possible.
Protection fingers are part of the sensor housing.

Fig. 7

*) 16 for high pressure sensor

2.1.2 Multi-part Transducer Type KSR-OPTO.X1X300XXX.0680

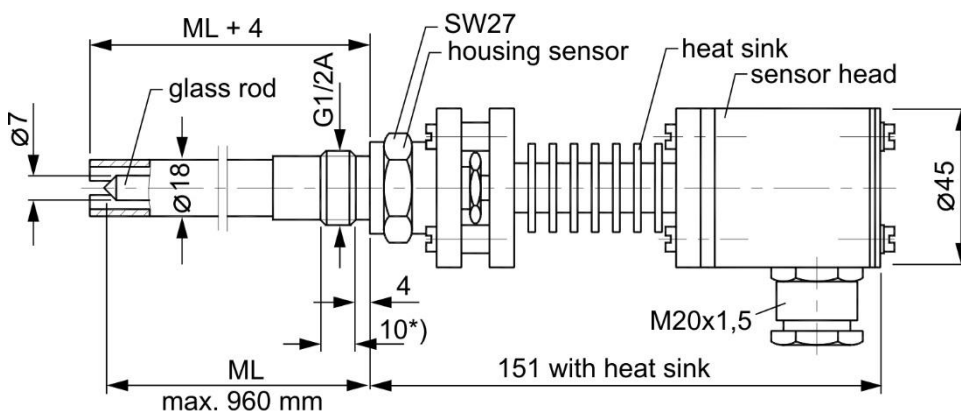


Measuring length ML from 50 to 960 mm.
Extension tube screwed into sensor housing.
Preferred lengths for ML: 50, 60, 80, 90, 100, 120, 150, 200, 300, 600 and 800 mm. Other lengths can also be supplied.

Fig. 8

*) 16 for high pressure sensor

2.1.3 Multi-part Transducer Type KSR-OPTO.X1X300XXX.0689

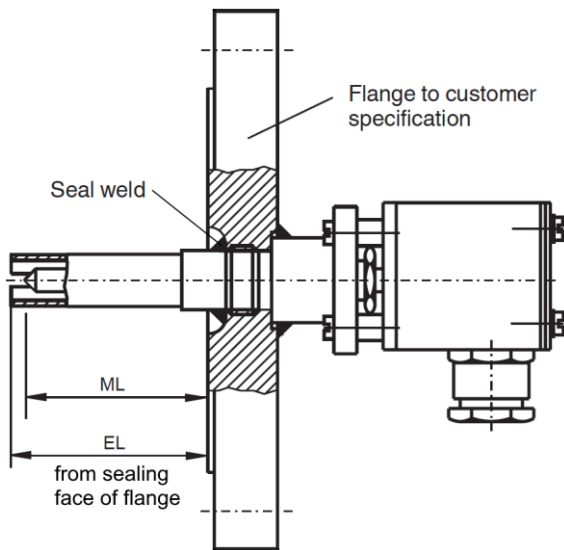


Extended temperature range with heat-sink. This may be combined with fixed ML 25 (35) mm and with extended types.

Fig. 9

*) 16 for high pressure sensor

2.1.4 Multi-part Transducer Type KSR-OPTO.X1X300XXX.06XX



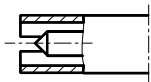
Connection with flanges from DN25 PN6
rsp. ANSI 1" 150 lbs and all types of face.

Tightness welding for dangerous or toxic
media is always combined with a sensor
housing without hexagon.
Insert length EL is calculated:

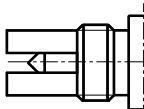
$$EL = ML - \text{flange thickness}$$

Fig. 10

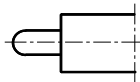
2.1.5 Construction details of Level and Interface sensors



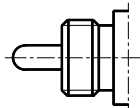
Level sensor with conical tip and Extension tube, measuring
length ML 50 - 960 mm
Type KSR-OPTO.X1X300XXX.068X



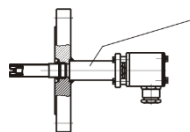
Level sensor with conical tip, measuring
length ML 25 mm
Type KSR-OPTO.X1X300XXX.066X



Interface sensor with U-tip and Extension tube, measuring
length ML 50 - 960 mm
Type KSR-OPTO.X1X300XXX.068X



Interface sensor with U-tip, measuring
length ML 25 mm
Type KSR-OPTO.X1X300XXX.066X



Execution with insulation elongation welded in flange

Fig. 11

2.2 One-piece Transducer Type KSR-OPTO.....0032

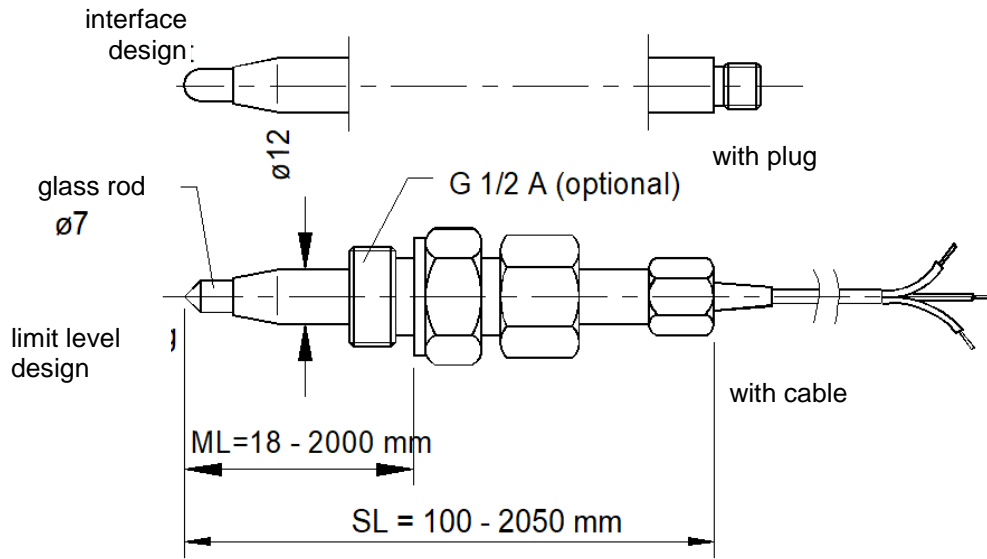
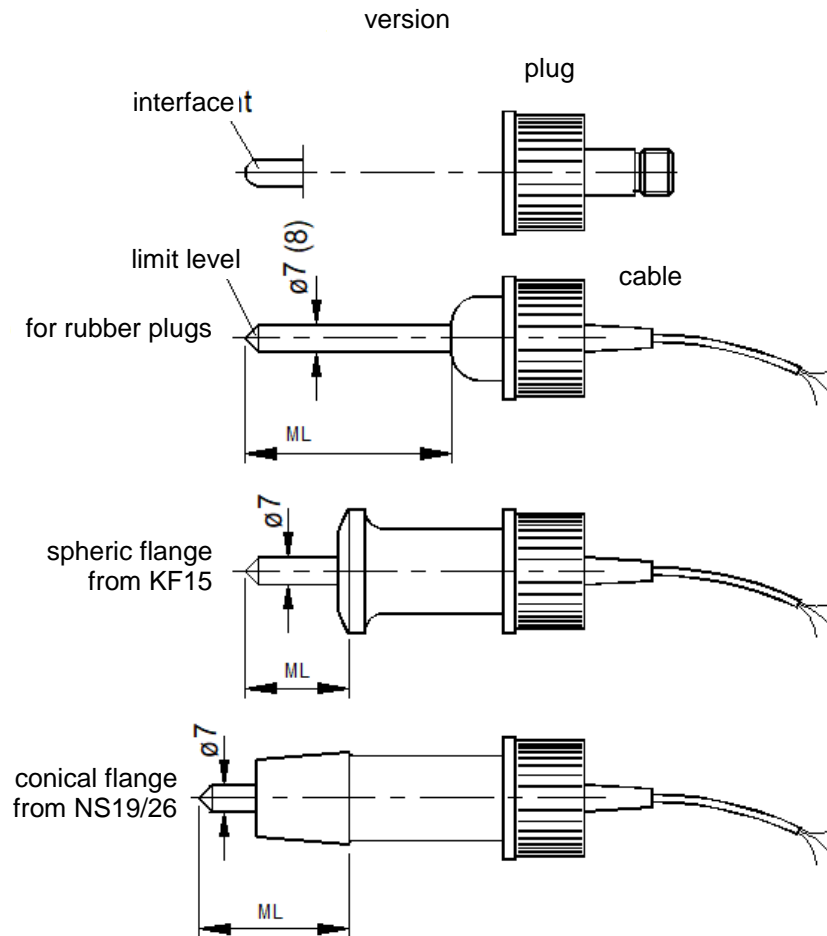


Fig. 12

2.3 One-piece Transducer Type KSR-OPTO.....0042, completely made of glass



ML max. 500 mm for all types 720.0042 = 500 mm

FIG. 13

2.4 Amplifier 19" type KSR-OPTO.250X.X7

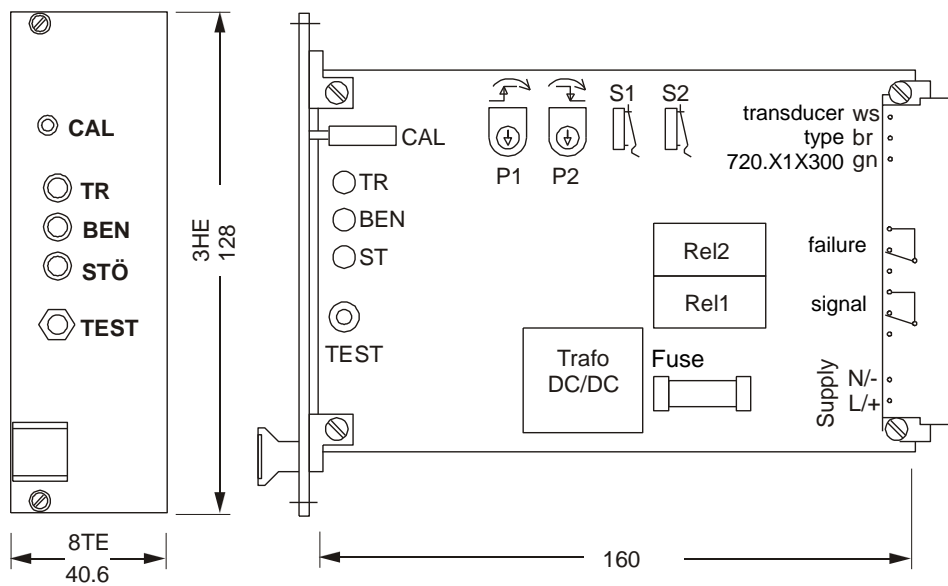


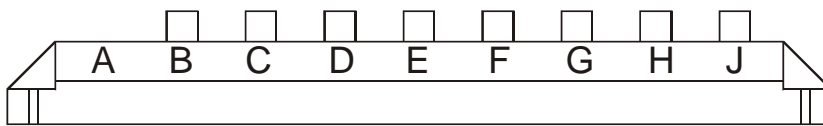
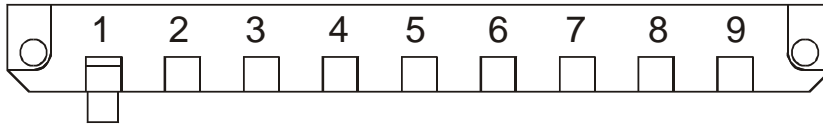
Abb. 14

For the version in an explosion proved type KSR-OPTO.2502.*7 the following points have in addition to be taken into account:

The amplifier is designed as a plug-in card for a 19" system. The plug-in card alone doesn't fulfill the ingress protection IP20 according to EN 60529:1991. It only is intended for the installation into a suitable rack which guarantees the minimum ingress protection IP20. Not used plug-in places have if necessary to be covered with blind plates. The distances and tracking distances particularly are between the individual plug-in cards as well as the intrinsic safe and not intrinsic safe circuits, the requirements on the wiring as well as the excess temperature and the dissipation power converted in the assemblies are to take into account according to EN 60079-11:2012. To avoid mistakes, the switch amplifiers are provided with an encoding system. It has to be made sure that the counter-strip is executed available and identically in the 19" rack.

The default coding has to be gathered from the following table:

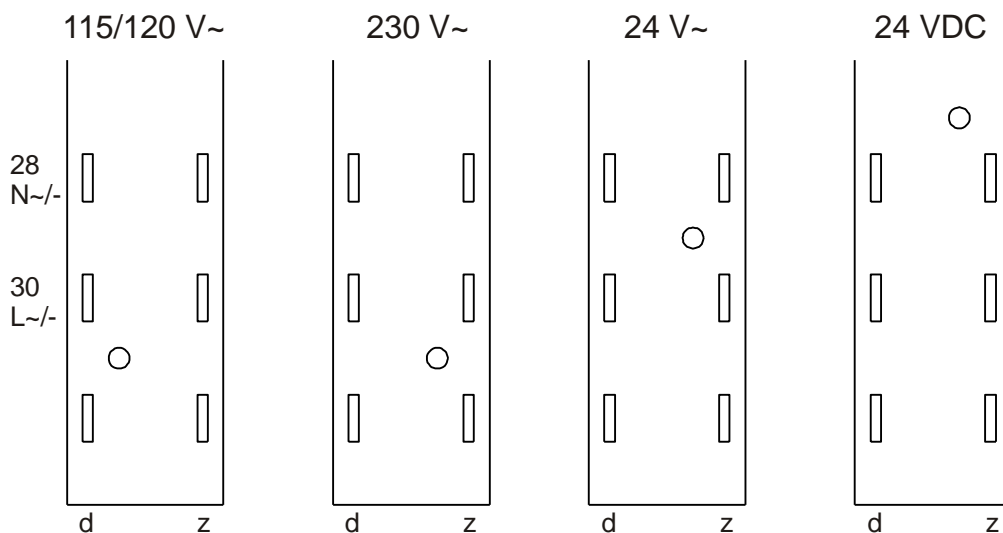
Supply version	Encoder-strip rack, provided at these positions with coding pins	Encoder-strip rack, provided at these positions with one coding pin
230 VAC	B-C-D-E-F-G-H-J	1
115/120 VAC	A, C-D-E-F-G-H-J	2
24 VAC	A-B, D-E-F-G-H-J	3
24 VDC	A-B-C, E-F-G-H-J	4



Example: 230 VAC supply version.

We exclusively recommend the use of suitable racks for the guarantee of the requirements to the company KSR Kuebler AG.

Alternatively the coding can take place directly in the female connector (rack side) and the associated male connector (amplifier side) after the following coding plan:



The coding pin is inserted with a tool captive in the appropriate place in the female connector and at the opposite side in the male connector is a drilling.

2.5 Amplifier in a damp-proofed housing type KSR-OPTO.250X.X1

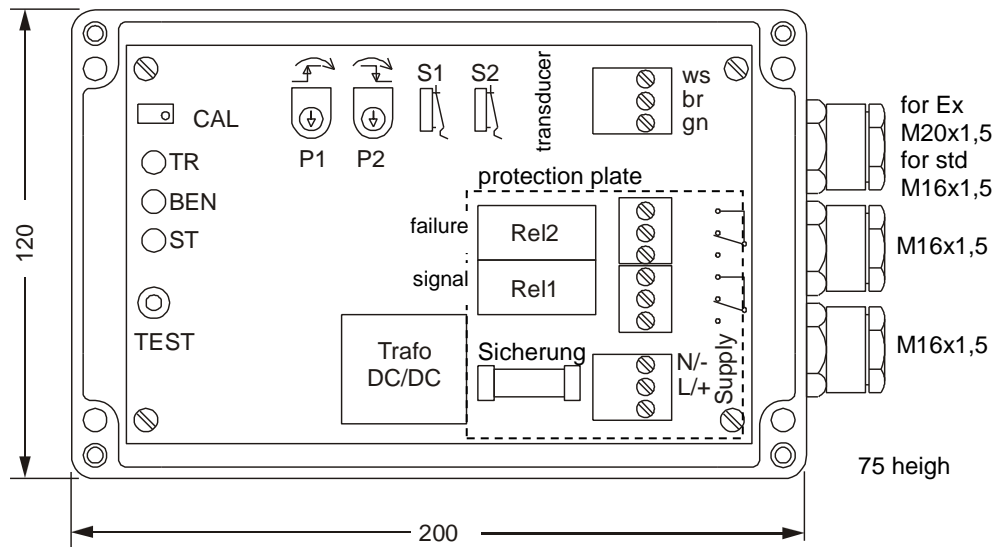
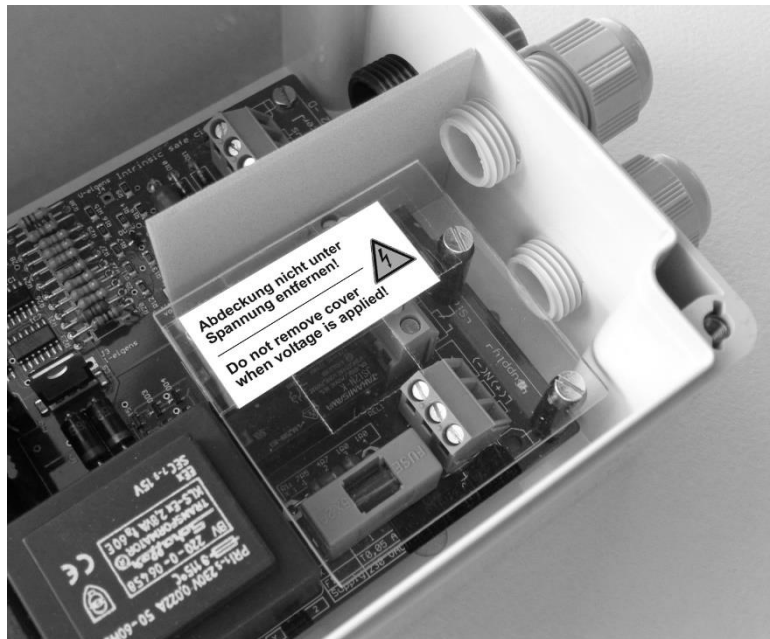


Fig. 15



Attention: please mount the cover after electrical installation! Only after this you may switch on power for supply and output circuit! Before removing cover (e. g. in case of replacing fuse) be sure that there is no power applied (supply and output circuit)!

3. PUTTING INTO OPERATION

Checking the completeness of the shipment

The completeness of the shipment has to be checked when unpacking. Provided that not agreed particularly, the device travels on the risk of the customer. Possible damages in transit can be immediately asserted under enclosing the documentation according to the legal regulations.

Intermediate Storage

If the assembly doesn't immediately take place after the delivery, the Level Gauge must be stored so much that no negative influences can have an effect. We recommend a dry storage place at temperatures below 0 degrees Celsius without additional other objects stacked on this.

Furthermore a check of the function can be carried out before the installation. The device attached provisionally and the glass tip are one and from dived to this for the test in a glass with liquid (justify if necessary in accordance with 4.2). The electrical connection only may be carried out by authorized specialist staff. The appropriate VDE regulations have to be taken into account.

Safety note operating conditions



Before further steps the customer has to check whether furthermore the operating conditions agreed on at the order are valid and the device is suitable for the scheduled purpose. This particularly applies to the features pressure, temperature and medium.

3.1 Mechanical assembly of the transducer



Safety note pressure balance

May work only after a complete pressure balance be carried out. Corresponding safety and environmental protective measures must be adhered to.

The glass tip should have a distance of at least 10 mm to an opposite wall after assembly having been carried out. This minimum distance can vary depending on geometry and surface composition of the wall.

KSR-OPTO.0032
einteilige

use a -screwed pipe e. g. G12S with thread G 1/2 A to screw into a union

KSR-OPTO.0042
einteilige

use the appropriate glass connection

KSR-OPTO.X1X300XXX.06XX
mehrteilige

screw it directly into a 1/2" union by using a metallic seal or in case of flanges mount it onto the appropriate counterpart. Please ensure that the spanner SW27 does not stress the transducer's screw heads.

Ex hint 'Use Directive'



The operator has to pay attention to the compliance with the European Use Directive 99/92/EC, harmonized Directive EN 60079-10:2011 pp..

Ex hint for operating type KSR-OPTO.21X300XXX.06XX in zone 0



If medium touched parts consist of titanium, the operator has to take care that no metallic fittings can beat to the sensor parts and therefore could trigger a blow spark in the container. Perhaps a protection cage has to be attached outside the container around the sensor head.

Ex hint ambient temperature

The operator has to provide that the ambient temperatures given in the manual are **not exceeded** in every installation situation of the transducer, with **Ex T6: +60 °C und T5: +75 °C**. Nor shall the lower ambient temperature at **Ex** fall below **-40 ° C in any case**.

Ex hint to the operating conditions for service with flammable measuring mixtures – which are non-explosive – and higher pressures

The operator has to provide it that the lower explosive limit is fallen below for certain with flammable measuring mixtures – which are non-explosive – and higher pressures. The formation of explosion capable atmosphere has to be prevented by stopping the evaporating of combustible liquids.

Safety note installation



The transducer should be assembled with caution and care, is particularly respected on the break risk of the glass. Measures for the protection of the transducer head have to be taken if a lateral load has to be expected. The customer has to provide the suitable choice of the seal materials and materials. The torque corresponds in the pipe line engineering for usual values. The transducer has to be installed unstressedly.

Safety note assembly



The transducer may not be charged at the side under any fuss when installing and in the built-in condition at the sensor head. Also see 7. repair. When screwing into a connection thread do not use the sensor head for turning.

3.1.1 Pressure and leakage test

Every device is subjected to a pressure examination in the work. If in the plant still a strength examination (system pressure examination) be required, pressure may not exceed the examining pressure means 1.5 times the indicated pressure on the type plate and the flange.



Attention: For all examinations and uses, in principle, these are Indicated on the type plate authoritatively!

3.2 Mechanische Montage des Schaltverstärkers

Amplifier in Makrolon housing

- prepare mounting holes acc. to Fig. 16
- detach the clear cover from the housing
- insert mounting screws from cover side into the mounting holes
- tighten the mounting screws

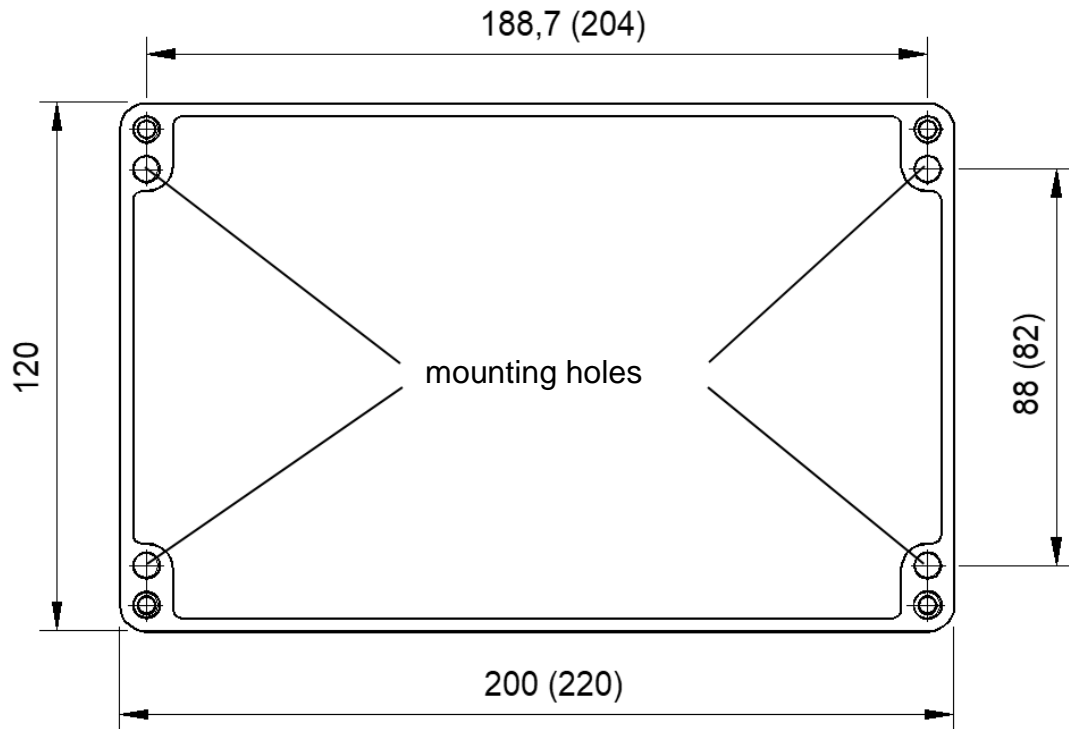


Fig. 16

3.3 Electrical connection transducer and amplifier



Safety note electrical installation

At the electrical installation the operator has to guarantee the compliance with all correct regulations.

The transducer and amplifier connections are both marked with the colors WS (white) respective 2d, BR (brown) respective 4d and GN (green) respective 6d. Connect them according to the connection plan.

The cable must not be shielded, however, should not be laid directly besides strong electrical interference sources either. Including line resistance, contact resistance goes the maximum line length and with that by the following table the maximum:

wire cross section [mm ²]	wiring distance [m]	wiring resistance [Ω]
0,5	175	6,3
0,75	300	7,2
1,0	400	7,2
1,5	600	7,2

Tab. 2

A complete resistance of 9Ω , inclusive of contact resistances, should not be exceeded since otherwise a failure signal is carried out. A max. inductance of $L_a \leq 0,5 \text{ mH}$ and a max. capacity all over are in addition at of keep $C_a \leq 3 \text{ } \mu\text{F}$ for (incl. the values of the switch amplifier).

3.3.1 Connection diagram transducer and amplifier

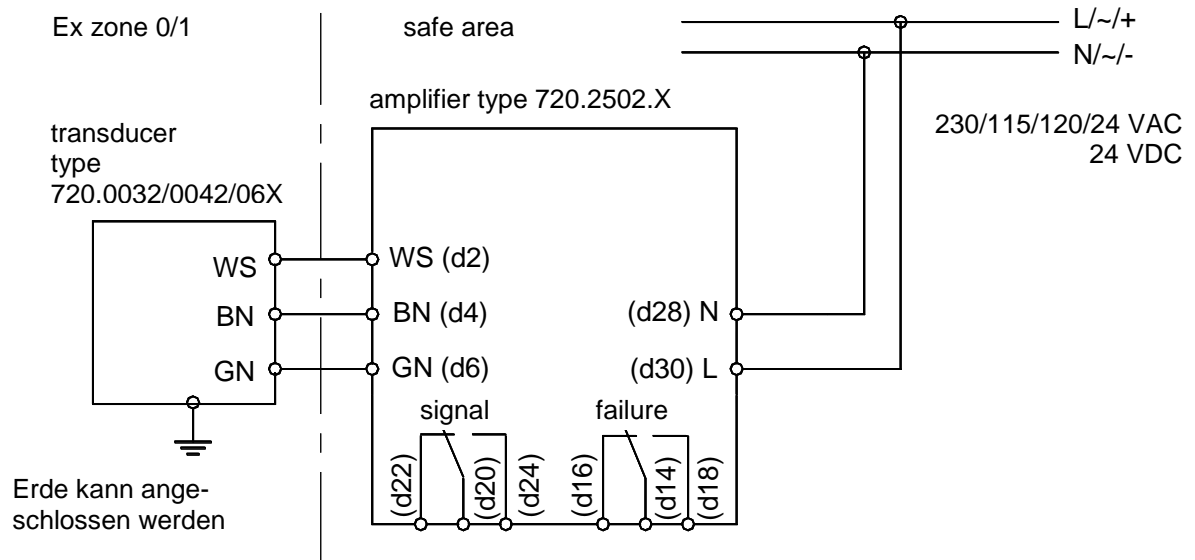


Fig. 17

Cable marked light blue or light blue colored to the measuring transducer by the switch amplifier must all over be installed at (intrinsic safe circuit). The switch amplifier has to be installed in safe area, the sensor body may be installed in zone 1 or 2.

Safety note electrical installation



After electrical installation the protective cover made of acryl is to be attach again!

3.3.2 Electrical Connection Transducer

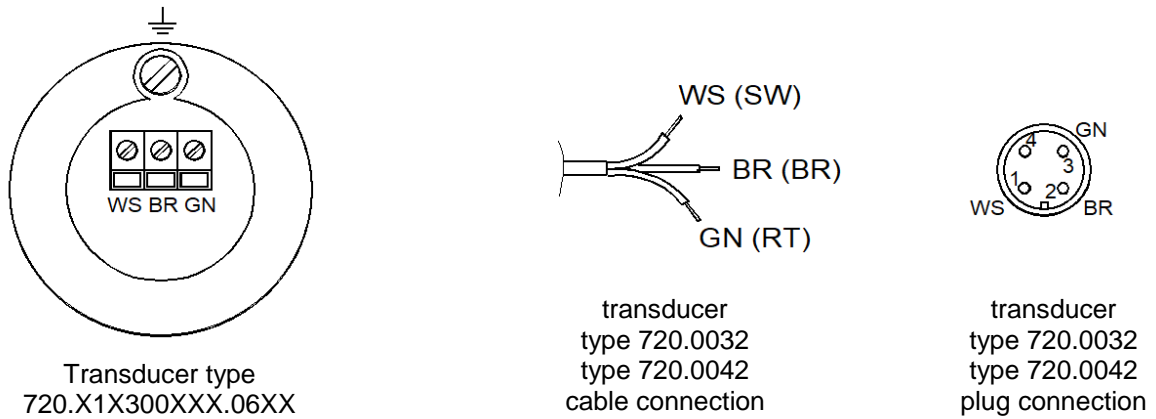


Fig. 18

Earthing type KSR-OPTO.21X300XXX.06XX

Earth can be connected at the internal earthing screw (is not necessary for intrinsic safe) or the connection is carried out via the metallic contact of the screwing thread with the container.

3.3.3 Elektrischer Anschluss Schaltverstärker

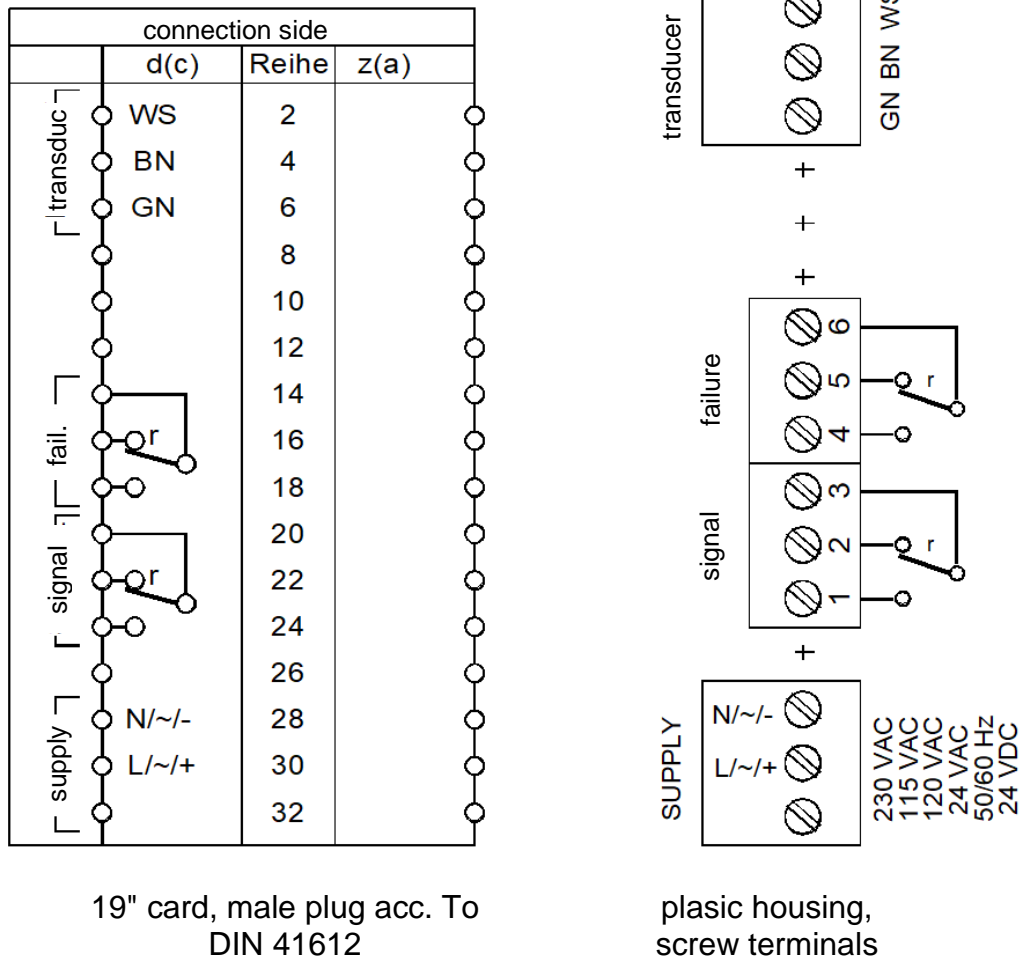


Fig. 19

At cards with male connector acc. to DIN 41612 D the contact row a corresponds to z of the type F and row c corresponds to d.

3.4 Connection supply

Whether the existing supply voltage agrees with the voltage version of the amplifier should be checked first. This is obvious from the marking on the circuit board.

230 V ~	KSR-OPTO.250X.1X
115/120 V ~	KSR-OPTO.250X.2X
24 V ~	KSR-OPTO.250X.3X
24 V =	KSR-OPTO.250X.4X
24 V = without isolation	KSR-OPTO.250X.7X

At the version built in a plastic housing the line terminals "supply" is marked with the operating voltage in addition and it is the connection to see directly from the imprint. The connection is carried out in accordance with fig. 17. The connections of the plug-in card are as follows:

d 28 (c28) = N (-)
d 30 (c30) = L (+)

If necessary, with 230 V AC an external circuit breaker can be installed which has at least a switching performance of 5 VA at 230 V AC. It should be well accessible. The supply cable should have at least a cross section of 0.75 mm² and be suited for 230 V AC (double isolation).

3.5 Connection relays

The signals "signal" and "failure" are provided for per a relay with change over contacts. These are potential-free and can be used for every arbitrary application. The connections can be seen directly from the imprint on the pboard.

Connections:

failure	signal	contact
4 / d18	1 / d24	Arbeitskontakt
5 / d16	2 / d22	Ruhekontakt
6 / d14	3 / d20	Wurzel

Tab. 3

3.6 Function control

After wiring been carried out and checked the supply can be switched on. One of the yellow LED's should come on now. By pressing the button "test" at closed switch S2 (time delay turned off) one of the two yellow LED shines approx. 1 s. After this the other yellow LED is flashing as long as the test button remains pressed. This shows that wiring and switch amplifiers are all right. If this should not be the case,

the justage instructions chapter 4.2 first following. If this should not lead to success, see trouble shooting chapter 7.

4. OPERATION

4.1 Setting of fail-safe direction with switch S1

Switch S1 is a wire-hook switch which may be shortened by soldering or permanent opened by cutting the switch wire.

High alarm (H)	S1 open, Signal relay released if sensor tip is immersed
Low alarm (L)	S1 closed Signal relay released if sensor tip is dry
Factory setting	S1 open

Table operating status, switch direction S1, LED reaction, relay reaction

operating status \	S1	yellow LED wet	yellow LED dry	signal relay
immersed (sensor tip in medium with higher refractive index)	open H high alarm	flashing	off	released
	closed L low alarm	permanent on	off	energized
dry (sensor tip in medium with lower refractive index)	open H high alarm	off	permanent on	energized
	closed L low alarm	off	flashing	released

Tab. 4

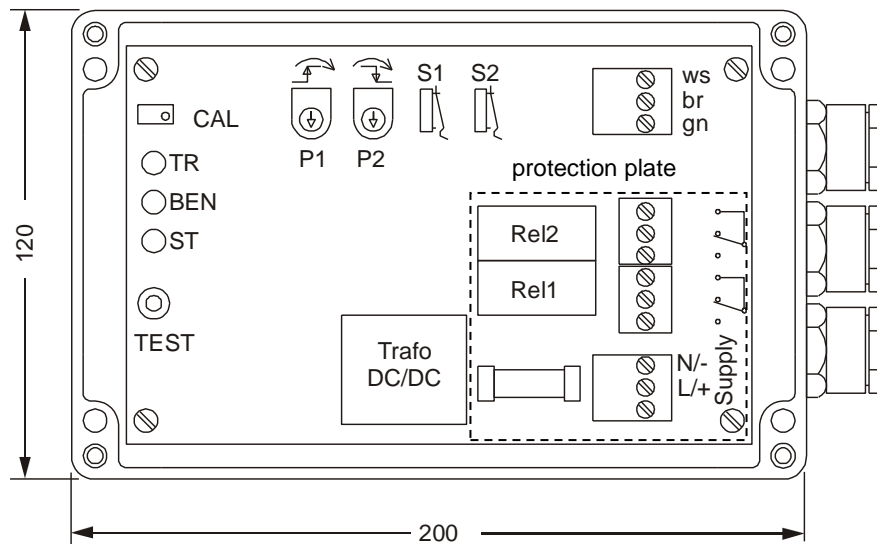


Abb. 20

4.2 Calibration with CAL

This is only required at the first putting into operation or after the wiring to compensate for all variable influences of the measuring equipment. Calibrate only when the sensor tip is in the medium with higher refractive index, e. g.:

- level limit: liquid / gas = calibrate when sensor tip is in the liquid
- interface e. g.: water / oil = calibrate when sensor tip is in oil

The photo transistor voltage can be measured between "GN" and "WS" of the transducer connection with a voltage instrument ($R_i \geq 10 \text{ M}\Omega$, measurement range 10 V=).

	voltage between GN / WS [V]	
	dry ¹⁾	immersed
level limit (conical tip)	0,2 - 1,0 ²⁾	4,5 - 6 ³⁾

- 1) do not adjust, only check this value
- 2) 0.2 V at short measuring lengths and clean conical tip, up to 1.0 V at larger measuring lengths and dirty conical tip.
- 3) adjust this value in the immersed condition only, the switching quality of the system sensor/amplifier can be influenced by variation of this value:
 - ca. 4,5 V = less drop sensitive, foam insensitive
 - ca. 5,0 V = normal low viscous, clean application, no influence of temperature- fluctuations of the medium up to ± 25 degrees Celsius
 - ca. 5,5 V = at strong temperature fluctuations of the medium up to ± 40 degrees Celsius
 - ca. 6,0 V = detektion of condensation, foam (must have stable, reproducible quality)

Tab. 5

	voltage between GN / WS [V]	
	medium with lower refractive index ¹⁾	medium with higher refractive index
interface (spheric shape)	0,2 - 3,0 ²⁾	4,5 - 6 ³⁾

- 1) do not adjust, only check this value
- 2) the tension takes off two media and at this measuring of the refractive index difference can therefore vary strongly.
- 3) adjust this value only when the sensor tip is immersed from the medium with higher refractive index. The switching quality of the system sensor/amplifier can be influenced by variation of this value.

To get a stable measuring it should be tried to adjust a difference as big as possible between these two values.

Tab. 6

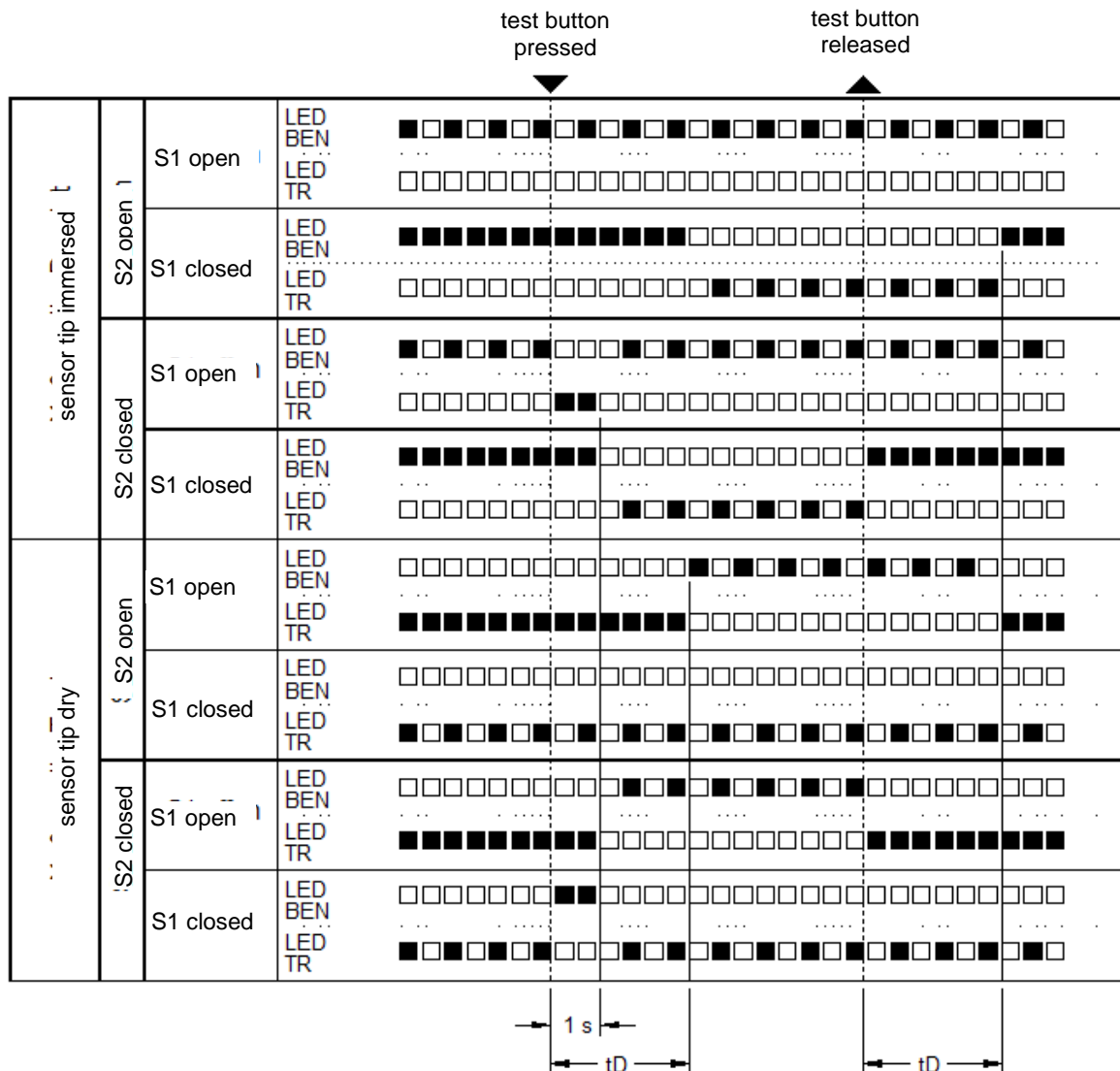
4.3 Justage of time delay

The switch S2 is a wire-hook switch and is to or switch off the delay of the signal relay which separated is adjustable for relay energize and release, e.g. at restless surface or strong fumigations or formations of bubbles in the liquid.

No time delay	- close S2 or shorten by soldering
With time delay	time to energize relay ($_ \uparrow$) with P1 as required (0-8 s) adjust release time ($_ \downarrow$) with P1 as required (0-8 s) adjust
Factory settings	S2 open, P1 and P2 middle position (ca. 3 - 4 s)

4.4 TEST- Procedure

Test expiry when pressing the test button



Legend: BEN = immersed TR = dry t_D = delay time to adjust with P1 and P2

□□□□□□ = LED off
 ■□□□□□ = LED flashes
 ■■■■■■ = LED permanent on

Fig. 21

Conditions:

- P1 and P2 middle position, ca. 3 - 4 s time delay if P2 is open
- transducer correct connected and in function
- no failure present

The time delay is, with S2 open, = switched on, must sufficiently be pushed for a long time the button so that the complete test can go off. No test can go off, the alarm was already entitled taken there is with S1 open, S2 open and sensor tip immersed. The same applies S1 closed, S2 open and sensor tip dry. Failure, LED red and a yellow one flashes, can go off no test at.

The test function makes possible a checking the measuring chain switch amplifier separately and e.g. post-connected signal amplifier, signaling devices, control devices or a correction device at a connected and operating transducer and a reliable information gives about the proper function of the circuit board.

4.5 Operating characteristics relay signal

See Tab. 4.

4.6 Operating characteristics relay failure

The relay failure is energized in the normal operation and releases under the following conditions (fail safe behavior):

- the supply voltage breaks down (>100 ms)
- the internal supply voltage for the intrinsic safe circuit breaks down
- short circuit (BR-WS) or interruption to IR-LED (BR)
- short circuit (GN-WS) or interruption to phototransistor (GN)

Behavior of the LED's see Tab. 4.

5. MAINTENANCE

The optoelectronic limit switch is maintenance-free in the rule. Stronger pollution is in the plant, however, recommends himself to make a maintenance instruction. Perhaps this can confine himself to an electrical measuring of the voltage between GN and WS of the transducer:

- immersed (BEN) in the rule 5 V *)
 - dry (TRO) in the rule 0,2 - 1 V *)
- *) see Tab. 5 + 6.

If the values adjusted at the putting into operation do not adapt, the condition of the glass tip should be checked. At pollution clean. Transducer send in at broken glass for the repair at the manufacturer (**Caution! Into original packing**).

Please, use to the cleaning of the switch amplifier plastic case only a damp cloth.
Clean not dripping wet!

6. GUARANTEE

We grant a guarantee period from 24 months on our products. Condition is the proper treatment and the use as agreed according to the operation instructions. The guarantee confines itself to material and construction faults at wear and spare parts.

The manufacturer takes on the responsibility about the execution as agreed in accordance with customer details. The customer takes on the responsibility about the assembly as agreed and use.

7. RETURN-TO-MANUFACTURER

Because of legal regulations for environmental and personnel protection, devices sent to KSR Kuebler, which have been in contact with liquids can only be transported, checked and repaired if this is possible without danger for personnel and environment.

KSR Kuebler can process your return only, if a declaration according this form is returned together with the product.

If the device has been in contact/operated with toxic, acid, inflammable or water-polluting media, we have to ask you to:

- check and clean, remove or neutralize any hazardous substances in the hollow rooms of the device.
- return an acknowledgment, what the medium was and if it is dangerous.

8. Disposal

The customer/enduser is obliged to take care for the disposal within the legal regulations

9. REPAIR

Spare parts recommended exclusively by us have to be used to the maintenance. Repairs must be coordinated in writing with us since otherwise our guarantee and responsibility goes out.

9.1 Repair Transducer

A repair of the transducer from operator side is not scheduled. If the operator liked to carry out a repair on own responsibility, he has to seek the consent of the manufacturer absolutely.

9.2 Replacing fuse of amplifier



Safety hint replacement fuse

The amplifier is to be separated safe from the net. In case of the field housing the plastic cover over the net section is to dismount. The fuse is to replace by a new one with a value printed on the board. In case of the field housing fasten the plastic cover again. Reconnect net. Pay attention to page 18!

Supply	KSR-OPTO.250X.XX
230 VAC	T 50 mA
115/120 VAC	T 100 mA
24 VAC	T 400 mA
24 VDC with Potential separation	see marking on PCB
24 VDC without Potential separation	T 400 mA

Tab. 7

9.3 Miscellaneous

Complete electronics is maintenance-free at use as agreed. If a defect should appear, the repair must be carried out at the manufacturer or of the operator with inspection control by a work expert in the case of a Ex device.



Ordering spare parts

At spare part orders absolutely exact type, series no. and commission no. the manufacturer indicate.

10. TROUBLE SHOOTING

FAILURE	POSSIBLE REASON	REMEDY
no function	Power supply been cancelled	Measure mains voltage, check fuse, check terminal screws (not soldering ends of the cable)
Flashing of the red and a yellow LED	transducer not connected Cable interrupted to the transducer Cable short-circuited to the transducer Cal. P3 adjusted too far about switching threshold	transducer connect up Connections and cables check Connections and cables check Adjusting in accordance with instructions 4.2
LED changes, signal relay changes, however no reaction of the outer circuit	Contacts of the RelaisREL 1 do not close/open	measure Relay contacts
The signal relay switches none over despite level change	P3 adjusted wrongly, (under switching point) transducer faulty (mechanical defects) (electrical defects) Glass tip facing too near at opposite surface	Justage acc. to manual 4.2 Carrying out circuit board test. Circuit board test faultless, glass top on damage or dirt approach search, clean or exchange if under change transducer see chapter 3.1.
Equipment reacts invers	S1 in a wrong position	S1 change position
Equipment reacts apparently not or too slowly to level change	S2 open, P1, P2 on the right stop, delay on	S2 close or P1, P2 turn anti-clockwise or wait until delay time has passed
Test button no reaction	S2 open, P1, P2 on the right stop, delay on	S2 close or P1, P2 on the left stop shift and leave S2 open. Pressing test button so long till the delay time has passed

Tab. 8

11. TECHNICAL DATA

11.1 Transducer

11.1.1 One-piece transducer

	Unit	KSR-OPTO.....0032	KSR-OPTO.....0042
Repeatability - level (conical tip) - refractive index (U-shape)	mm R.I.	$\pm 0,5$ $\pm 0,01$	$\pm 0,5$ $\pm 0,01$
Temperature - medium - ambient	$^{\circ}\text{C}$ $^{\circ}\text{C}$	$-30\dots+95$ ¹⁾ $-25\dots+95$	$-60\dots+250$ $-25\dots+95$
P_{proc}	bar	$0-50$ ¹⁾	$0-5$
Measuring length - standard - maximal	mm mm	$18-49$ 2050	50 500
Mechanical conn. - standard		pipe $\varnothing 12$ for union G $\frac{1}{2}$ A	glass plug KF, NS or acc. to customer's spec.
Material - sensor housing - sensor tip see Fig. 12, FIG. 13 - sealing		1.4571 quartz graphite	quartz glass quartz glass quartz glass
Weight	kg	$0,1$ $+5\text{g/cm elongation}$	$0,1$ $+1,3\text{g/cm elongation}$
Electr. connection		3 m PVC cable $3 \times 0,14 \text{ mm}^2$ or 4 pole plug	3 m PVC cable $3 \times 0,14 \text{ mm}^2$ or 4 pole plug
Cable outlet		safety against buckling	safety against buckling
Ingress protection acc. to EN 60529		IP 67	IP 67
Switch amplifier		type KSR-OPTO.2501.XX	type KSR-OPTO.2501.XX

1) special version on demand

Tab. 9

11.1.2 Multi-part transducer

Standard version KSR-OPTO.11X300XXX.06XX

	unit	value
Repeatability		
- level (conical tip)	mm	±0,5
- refractive index (U-shape)	R.I.	±0,02
Operating temperature	°C	-65 ... +250 (KSR-OPTO.11X300XXX.06X0/06X1) -269 ... +400 ²⁾ (KSR-OPTO.11X300XXX.06X9/06X8)
Temperature ambient	°C	-65 ... +95
Operating pressure	bar	0-250 ¹⁾²⁾
Measuring length		
- standard/max	mm	25 / 960
Mechanical conn.		
- standard		G ½ A
- other ⁷⁾		to costumer's spec.
Material		
- sensor housing ⁸⁾		1.4571... ⁸⁾
- sensor body		~1.4301
- dissipator		~1.4301
- glass tip		cladded core glass, quartz, sapphire
Weight	kg	0,77 (KSR-OPTO.11X300XXX.06X0/06X61) +9,3g/cm elong. 1,07 (KSR-OPTO.11X300XXX.06X9/06X68) +9,3g/cm elong.
Electrical connection		screw terminals with wire protection, 2,5 mm ²
Cable outlet		M20X1,5
Ingress protect. acc. to EN 60529		IP 65
Switch amplifier		amplifier type KSR-OPTO.2501.XX

Ex version KSR-OPTO.21X300XXX.06XX

	unit	value
Repeatability		
- level (conical tip)	mm	±0,5
- refractive index (U-shape)	R.I.	±0,02
Operating temperature	°C	-65 ... +250 (KSR-OPTO.11X300XXX.06X0/06X1) -269 ... +400 ²⁾ (KSR-OPTO.11X300XXX.06X9/06X8)
Temperature ambient	°C	T6: -40 ... +60, T5: -40 ... +75
Operating pressure	bar	0-250 ¹⁾²⁾
Measuring length		
- standard/max	mm	25 / 960
Mechanical conn.		
- standard		G ½ A
- other ⁷⁾		to costumer's spec.
Material		
- sensor housing ⁸⁾		1.4571... ⁸⁾
- sensor body		~1.4301
- dissipator		~1.4301
- glass tip		cladded core glass, quartz, sapphire
Weight	kg	0,77 (KSR-OPTO.21X300XXX.06X0/06X61) +9,3g/cm elong. 1,07 (KSR-OPTO.21X300XXX.06X9/06X68) +9,3g/cm elong.
Electrical connection		screw terminals with wire protection, 2,5 mm ²
Cable outlet		M20X1,5, blue
Ingress protect. acc. to EN 60529		IP 65
Certificates		II 1/2 G Ex ib op is IIC T6/T5 ³⁾
Switch amplifier		amplifier type KSR-OPTO.2502.XX ⁶⁾

Tab. 10

- 1) special designs differing (up to 500 bar)
- 2) Noticing derating diagram page 9
- 3) II 1/2 G Ex ib op is IIC T6/T5 ZELM 06 ATEX 0299
- 6) The certificates are valid only in connection with the switch amplifier mentioned above with the certificate no.
II (2) G [Ex ib] IIC ZELM 06 ATEX 0300

- 7) e. g. flanges acc. to DIN, ANSI, ..., also with leak-proof welding sensor housing/flange
- 8) all metallic materials in accordance with customer specification, no light metals, at titanium are to follow the special notes in chapter 3.1. Subject to alterations! Tab. 11

11.2 Amplifier

Standard version KSR-OPTO.2501.XX

	unit	value
Separate LED indicators for immersed (BEN)/dry (TRO)/ failure (STÖ)		yes
Functions - alarm, BEN or TRO flashes, depends on S1 - monitoring short-circuit and open-circuit to transducer, Fail-safe, LED failure flashes - test button, test of all circuit functions - time delay signal relays, energized or released		yes yes yes 0 - 8
Temperature ambient - 19" plug-in card - Plastics housing	°C °C	-25 ... +60 -40 ... +40
Power supply - AC-voltage - DC-voltage	V AC V DC	230±10 %, 24/115/120±15 % 24 ±25%
Mains frequency	Hz	48 ... 62
Power consumption	VA	5
Output - signal, relay, 1 x SPDT - failure, relay, 1 x SPDT	V/A/VA, V/A/W V/A/VA, V/A/W	250/3/100, 40/2/100 250/3/100, 40/2/100
Plastics housing - housing H x B x T - cable inlet - terminals - ingress protect. acc. to EN 60529 - weight	mm kg	200 x 120 x 75 3 x M20x1,5 screw terminals with wire protection IP 65 0,6
Cross section supply cable - Supply 230 V AC	mm ²	at least 0,75
19" plug-in card - printed circuit board - front plate - connecton male plug - weight	mm kg	160 x 100 3HE, 8TE DIN 41612 Form F (z, d) oder Form D (a, c) 0,31

Ex-version KSR-OPTO.2502.XX

	unit	value
Separate LED indicators for immersed (BEN)/dry (TRO)/ failure (STÖ)		yes
Functions - alarm, BEN or TRO flashes, depends on S1 - monitoring short-circuit and open-circuit to transducer, Fail-safe, LED failure flashes - test button, test of all circuit functions - time delay signal relays, energized or released		yes yes yes
Temperature ambient - 19" plug-in card - Plastics housing	°C °C	-25 ... +60 -40 ... +40
Power supply - AC-voltage - DC-voltage	V AC V DC	230±10 %, 24/115/120±15 % 24 ±25%
Mains frequency	Hz	48 ... 62
Power consumption	VA	5
Output - signal, relay, 1 x SPDT - failure, relay, 1 x SPDT	V/A/VA, V/A/W V/A/VA, V/A/W	250/3/100, 40/2/100 250/3/100, 40/2/100
Plastics housing - housing H x B x T - cable inlet - terminals - ingress protect. acc. to EN 60529 - weight	mm kg	200 x 120 x 75 2 x M20x1,5 1 x M20X1,5 blue screw terminals with wire protection IP 65 0,6
Cross section supply cable - Supply 230 V AC	mm ²	at least 0,75
19" plug-in card - printed circuit board - front plate - connecton male plug - ingress protection acc. to EN 60529 - weight	mm kg	160 x 100 3HE, 8TE DIN 41612 Form F (z, d) oder Form D (a, c) with coding, use only in housing with IP 20 0,31
Certificates - Ex		II (2) G [Ex ib] IIC ZELM 06 ATEX 0300

Tab. 12

Subject to alterations!

12. SELECTION CODE

12.1 Type KSR-OPTO.0032 one-piece transducer

T_{proc} -30...+95 °C

P_{proc} 0...50 bar

KSR-OPTO . 0032 X X X X

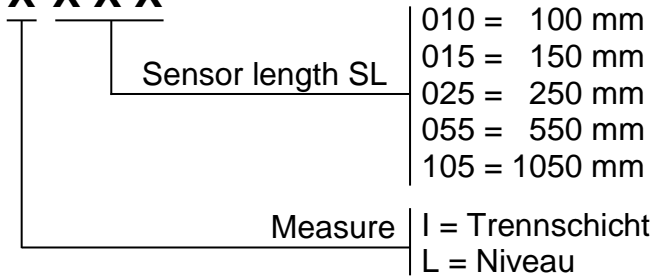


Fig. 22

Level (conical tip)

Sensor length SL [mm]	Type / Ordering-no.
100	KSR-OPTO0032L010
150	KSR-OPTO0032L015
250	KSR-OPTO0032L025
550	KSR-OPTO0032L055
1050	KSR-OPTO0032L105

Interface (U-tip)

Sensor length SL [mm]	Type / Ordering-no.
100	KSR-OPTO0032I010
150	KSR-OPTO0032I015
250	KSR-OPTO0032I025
550	KSR-OPTO0032I055
1050	KSR-OPTO0032I105

Tab. 13

12.2 Type KSR-OPTO.0042 out of glass, one-piece transducer

T_{proc} -60...+250 °C

P_{proc} 0...10 bar

KSR-OPTO. 0042 X V A R

Measure | I = Interface
L = Level

Selektionschlüssel:

X X X X

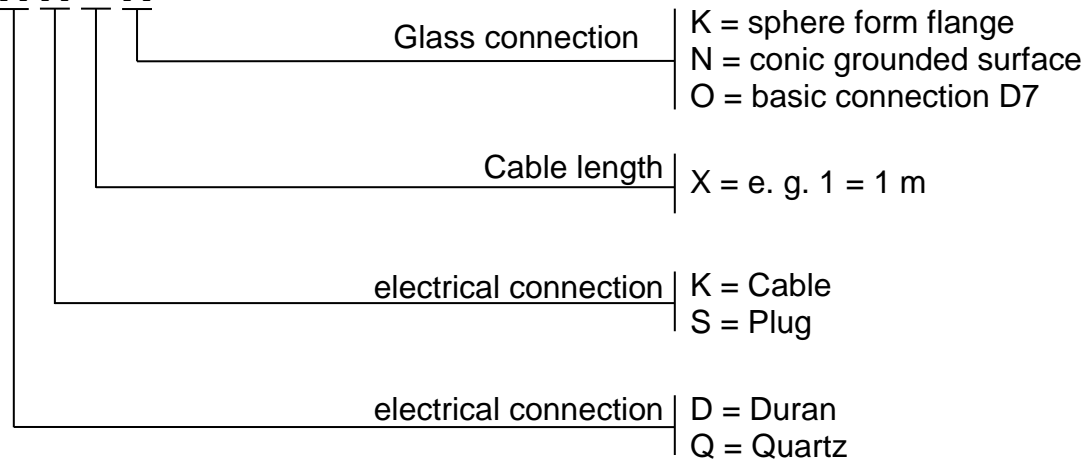


Fig. 23

Level (conical shape)

Measuring length ML [mm]	Type / Ordering-No.
50 - 250 (Duran)	KSR-OPTO0042LVAR
50 - 500 (Quarz)	KSR-OPTO0042LVAR

Interface (U-shape)

Measuring length ML [mm]	Type / Ordering-No.
50 - 250 (Duran)	KSR-OPTO0042IVAR
50 - 500 (Quarz)	KSR-OPTO0042IVAR

Tab. 14

12.3 Typ KSR-OPTO.X1X300XXX.06XX multi-part transducer

KSR-OPTO. | X | 1 | X | 3 | 0 | 0 | X | X | X | . | 0 | 6 | X | X |

Applic- ation	Standard	1	0	-65...+250 °C	T _{Proc}		
	Ex	2				1	-65... 250 °C + insulation elong.
Measure	Level	1	8	-269...+400 °C + insulat. elong.			
	Interface	2	9	-269...+400 °C			
Measuring length	Measuring length in cm e. g. 150 mm = 015	X	X	X		6	without, ML=25 mm
					8	with, ML=50-960 mm	

Fig. 24

Level (conical shape), Standard (not Ex)

Measuring length ML [mm]	Type
25	KSR-OPTO.111300000.0660
50	KSR-OPTO.111300005.0680
60	KSR-OPTO.111300006.0680
80	KSR-OPTO.111300008.0680
90	KSR-OPTO.111300009.0680
100	KSR-OPTO.111300010.0680
120	KSR-OPTO.111300012.0680
150	KSR-OPTO.111300015.0680
200	KSR-OPTO.111300020.0680
300	KSR-OPTO.111300030.0680
600	KSR-OPTO.111300060.0680
800	KSR-OPTO.111300080.0680

Level (conical shape), Ex

Measuring length ML [mm]	Type
25	KSR-OPTO.211300000.0660
50	KSR-OPTO.211300005.0680
60	KSR-OPTO.211300006.0680
80	KSR-OPTO.211300008.0680
90	KSR-OPTO.211300009.0680
100	KSR-OPTO.211300010.0680
120	KSR-OPTO.211300012.0680
150	KSR-OPTO.211300015.0680
200	KSR-OPTO.211300020.0680
300	KSR-OPTO.211300030.0680
600	KSR-OPTO.211300060.0680
800	KSR-OPTO.211300080.0680

Interface (U-shape), Standard (Not Ex)

Measuring length ML [mm]	Type
25	KSR-OPTO.112300000.0660
50	KSR-OPTO.112300005.0680
60	KSR-OPTO.112300006.0680
80	KSR-OPTO.112300008.0680
90	KSR-OPTO.112300009.0680
100	KSR-OPTO.112300010.0680
120	KSR-OPTO.112300012.0680
150	KSR-OPTO.112300015.0680
200	KSR-OPTO.112300020.0680
300	KSR-OPTO.112300030.0680
600	KSR-OPTO.112300060.0680
800	KSR-OPTO.112300080.0680

Interface (U-shape), Ex

Measuring length ML [mm]	Type
25	KSR-OPTO.212300000.0660
50	KSR-OPTO.212300005.0680
60	KSR-OPTO.212300006.0680
80	KSR-OPTO.212300008.0680
90	KSR-OPTO.212300009.0680
100	KSR-OPTO.212300010.0680
120	KSR-OPTO.212300012.0680
150	KSR-OPTO.212300015.0680
200	KSR-OPTO.212300020.0680
300	KSR-OPTO.212300030.0680
600	KSR-OPTO.212300060.0680
800	KSR-OPTO.212300080.0680

Tab. 15

Material and length variable types, level, conical tip, standard

ML [mm]	Material ²⁾	Type
25	variabel	KSR-OPTO.111300000.0660
XXX ¹⁾	1.4571	KSR-OPTO.111300XXX.0680
XXX ¹⁾	variabel	KSR-OPTO.111300XXX.0680

Material and length variable types, interface, U-shape, standard

ML [mm]	Material ²⁾	Type
25	variabel	KSR-OPTO.112300000.0660
XXX ¹⁾	1.4571	KSR-OPTO.112300XXX.0680
XXX ¹⁾	variabel	KSR-OPTO.112300XXX.0680

Material and length variable types, level, conical tip, Ex

ML [mm]	Material ²⁾	Type
25	variabel	KSR-OPTO.211300000.0660
XXX ¹⁾	1.4571	KSR-OPTO.211300XXX.0680
XXX ¹⁾	variabel	KSR-OPTO.211300XXX.0680

Material and length variable types, interface, U-shape, Ex

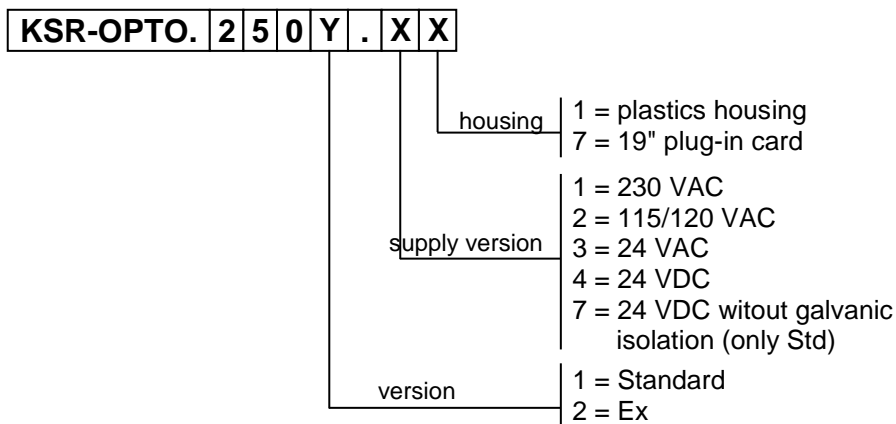
ML [mm]	Material ²⁾	Type
25	variabel	KSR-OPTO.212300000.0660
XXX ¹⁾	1.4571	KSR-OPTO.212300XXX.0680
XXX ¹⁾	variabel	KSR-OPTO.212300XXX.0680

Tab. 15

¹⁾ max. 960 mm

²⁾ ATEX: all stainless austenitic steels acc. to DIN 17440 (old) and ASTM, Ni and its alloys, Copper and its alloys, Tantalum, Titanium (see also hint in this manual on page 7).

12.4 Typ KSR-OPTO.250X.XX Controller



Attention: version 720.250Y.7X (supply version 7) is not available as explosion proof version.

Fig. 25

Plastics housing, standard (not Ex)

Supply	Type/Ordering-no.
230 V AC	KSR-OPTO.2501.11
115/120 V AC	KSR-OPTO.2501.21
24 V AC	KSR-OPTO.2501.31
24 V DC with galvanic isolation	KSR-OPTO.2501.41
24 V DC without galvanic isolation	KSR-OPTO.2501.71

Plastics housing, Ex

Supply	Type/Ordering-no.
230 V AC	KSR-OPTO.2502.11
115/120 V AC	KSR-OPTO.2502.21
24 V AC	KSR-OPTO.2502.31
24 V DC with galvanic isolation	KSR-OPTO.2502.41

19" plug-in card, standard (not Ex)

Supply	Type/Ordering-no.
230 V AC	KSR-OPTO.2501.17
115/120 V AC	KSR-OPTO.2501.27
24 V AC	KSR-OPTO.2501.37
24 V DC with galvanic isolation	KSR-OPTO.2501.47
24 V DC without galvanic isolation	KSR-OPTO.2501.77

19" plug-in card, Ex

Supply	Type/Ordering-no.
230 V AC	KSR-OPTO.2502.17
115/120 V AC	KSR-OPTO.2502.27
24 V AC	KSR-OPTO.2502.37
24 V DC with galvanic isolation	KSR-OPTO.2502.47

Tab. 16

13. EC-TYPE_EXAMINATION CERTIFICATES



Prüf- und Zertifizierungsstelle

ZELM Ex



(1) EG-Baumusterprüfbescheinigung

- (2) Geräte und Schutzsysteme zur bestimmungsgemäßen Verwendung in explosionsgefährdeten Bereichen – **Richtlinie 94/9/EG**
- (3) EG-Baumusterprüfbescheinigungsnummer

ZELM 06 ATEX 0299

- (4) Gerät: **Messwandler Typ KSR-OPTO.21*.06XX**
- (5) Hersteller: **KSR KUEBLER Niveau-Messtechnik AG**
- (6) Anschrift: **D-69439 Zwingenberg**
- (7) Die Bauart dieses Gerätes sowie die verschiedenen zulässigen Ausführungen sind in der Anlage zu dieser Baumusterprüfbescheinigung festgelegt.
- (8) Die Prüf- und Zertifizierungsstelle ZELM Ex bescheinigt als benannte Stelle Nr. 0820 nach Artikel 9 der Richtlinie des Rates der Europäischen Gemeinschaften vom 23. März 1994 (94/9/EG) die Erfüllung der grundlegenden Sicherheits- und Gesundheitsanforderungen für die Konzeption und den Bau von Geräten und Schutzsystemen zur bestimmungsgemäßen Verwendung in explosionsgefährdeten Bereichen gemäß Anhang II der Richtlinie.
- Die Ergebnisse der Prüfung sind in dem vertraulichen Prüfbericht Nr. ZELM Ex 0490615468 festgelegt.
- (9) Die grundlegenden Sicherheits- und Gesundheitsanforderungen werden erfüllt durch Übereinstimmung mit

EN 50 014: 1997+A1+A2

EN 50 020: 1994

EN 50 284: 1999


- (10) Falls das Zeichen "X" hinter der Bescheinigungsnummer steht, wird auf besondere Bedingungen für die sichere Anwendung des Gerätes in der Anlage zu dieser Bescheinigung hingewiesen.
- (11) Diese EG-Baumusterprüfbescheinigung bezieht sich nur auf Konstruktion, Überprüfung und Tests des spezifizierten Gerätes oder Schutzsystems in Übereinstimmung mit Richtlinie 94/9/EG. Weitere Anforderungen der Richtlinie können für das Herstellungsverfahren und die Lieferung dieses Gerätes oder Schutzsystems gelten. Diese sind von vorliegender Bescheinigung nicht abgedeckt.
- (12) Die Kennzeichnung des Gerätes muß die folgenden Angaben enthalten:



II 1/2 G EEx ib IIC T5, T6

Zertifizierungsstelle ZELM Ex

Braunschweig, 19.07.2006


Dipl.-Ing. Harald Zelm



Seite 1/3

EG-Baumusterprüfbescheinigungen ohne Unterschrift und ohne Stempel haben keine Gültigkeit.
Diese EG-Baumusterprüfbescheinigung darf nur unverändert weiterverbreitet werden.
Auszüge oder Änderungen bedürfen der Genehmigung der Prüf- und Zertifizierungsstelle ZELM Ex

Prüf- und Zertifizierungsstelle ZELM Ex • Siekgraben 56 • D-38124 Braunschweig



Prüf- und Zertifizierungsstelle

ZELM Ex



(13)

Anlage

(14) **EG-Baumusterprüfbescheinigung ZELM 06 ATEX 0299**

(15) Beschreibung des Gerätes

Der Messwandler Typ KSR-OPTO.21*.06XX dient zur Grenzstanderfassung in Behältern für brennbare und nichtbrennbare Flüssigkeiten bei Anschluss an den separat bescheinigten Schaltverstärker Typ KSR-OPTO.2502.XX. Er besteht aus dem Messkörper mit eigensicherer Elektronik, dem Messfühler mit Lichtleiter und wahlweise zusätzlich aus einem Kühlrippenteil und/oder einer Verlängerung.

Der Messwandler darf auch in die Trennwand zwischen den gefährdeten Bereichen der Kategorie 1G und Kategorie 2G errichtet werden.

Die Einsatzbedingungen im Betrieb mit brennbaren Messmedien - die nicht explosionsfähig sind - und höhere Drücken sind der Bedienungsanleitung zu entnehmen.

Die Zeichen „*“ bzw. „XX“ in der Typenbezeichnung stehen für eine siebenstellige bzw. zweistellige Zahlenkombination, die zulässige Varianten identifiziert und durch festgelegte Zahlen ersetzt werden.

Elektrische Daten

Signal-Stromkreis in Zündschutzart Eigensicherheit EEx ib IIC
Nur zum Anschluss an einen bescheinigten eigensicheren Eingangs-Stromkreis.
Höchstwerte: U: = 9,7 V DC
I: = 149 mA
P: = 1 W

Die wirksame innere Kapazität und Induktivität sind vernachlässigbar klein.

zulässige Umgebungstemperatur in Abhängigkeit von der Temperaturklasse:

Untere Umgebungs-temperaturgrenze	Obere Umgebungs-temperaturgrenze	Temperatur-klasse
-40 °C	+60 °C	T 6
-40 °C	+75 °C	T 5

Gehäuseschutzgrad mindestens IP 65 gemäß EN 60529:1991

Hinweis :

Die Bedienungsanleitung ist zu beachten.

Insbesondere gilt dies für die Hinweise zur Errichtung in der Trennwand zwischen den gefährdeten Bereichen der Kategorie 1G und 2G hinsichtlich der Einsatzbedingungen und Materialeignung sowie zur Einbeziehung in Potentialausgleich und Erdung.

Seite 2/3

EG-Baumusterprüfbescheinigungen ohne Unterschrift und ohne Stempel haben keine Gültigkeit.
Diese EG-Baumusterprüfbescheinigung darf nur unverändert weiterverbreitet werden.
Auszüge oder Änderungen bedürfen der Genehmigung der Prüf- und Zertifizierungsstelle ZELM Ex

Prüf- und Zertifizierungsstelle ZELM Ex • Siekgraben 56 • D-38124 Braunschweig



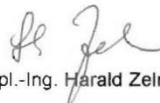
Prüf- und Zertifizierungsstelle
ZELM Ex



Anlage zur EG-Baumusterprüfbescheinigung ZELM 06 ATEX 0299

- (16) Prüfbericht Nr.
ZELM Ex 0490615468
- (17) Besondere Bedingungen
nicht zutreffend
- (18) Grundlegende Sicherheits- und Gesundheitsanforderungen
durch Normen erfüllt

Zertifizierungsstelle ZELM Ex


Dipl.-Ing. Harald Zelm



Braunschweig, 19.07.2006

Seite 3/3

EG-Baumusterprüfbescheinigungen ohne Unterschrift und ohne Stempel haben keine Gültigkeit.
Diese EG-Baumusterprüfbescheinigung darf nur unverändert weiterverbreitet werden.
Auszüge oder Änderungen bedürfen der Genehmigung der Prüf- und Zertifizierungsstelle ZELM Ex
Prüf- und Zertifizierungsstelle ZELM Ex • Siekgraben 56 • D-38124 Braunschweig

1. Ergänzung

(Ergänzung gemäß EG-Richtlinie 94/9 Anhang III Ziffer 6)

ZELM ex

zur EG-Baumusterprüfbescheinigung

ZELM 06 ATEX 0299

Gerät: **Messwandler Typ KSR-OPTO.21*.06XX**

Hersteller: **KSR KUEBLER Niveau-Messtechnik AG**


Anschrift: **D-69439 Zwingenberg**

Beschreibung der Ergänzung

In der 1. Ergänzung zur EG-Baumusterprüfbescheinigung ZELM 06 ATEX 0299 wurde die Übereinstimmung mit den aktuellen Normen geprüft.

Die Änderungen betreffen die Zündschutzart und die Kennzeichnung.

Der Messwandler Typ KSR-OPTO.21*.06XX darf künftig auch entsprechend dieser 1. Ergänzung gefertigt und wie folgt gekennzeichnet werden:

 II 1/2 G Ex ib op is IIC T5, T6

Die elektrischen Daten und alle übrigen Daten bleiben unverändert und gelten auch weiterhin.

Prüfbericht Nr.

ZELM Ex 0781019807

Grundlegende Sicherheits- und Gesundheitsanforderungen

Die grundlegenden Sicherheits- und Gesundheitsanforderungen werden weiterhin erfüllt durch Übereinstimmung mit folgenden Normen:

EN 60079-0:2009 EN 60079-11:2007
EN 60079-26:2007 EN 60079-28:2007

Braunschweig, 22. 10. 2010

ZELM ex

Zertifizierungs-
stelle



Zertifizierungsstelle ZELM EX
Dipl.-Ing. Harald Zelm

ZELM ex

Seite 1 von 1

EG-Baumusterprüfbescheinigungen ohne Unterschrift und ohne Stempel haben keine Gültigkeit.
Diese EG-Baumusterprüfbescheinigung darf nur unverändert weiterverbreitet werden.
Auszüge oder Änderungen bedürfen der Genehmigung der Prüf- und Zertifizierungsstelle ZELM EX

ZELM ex
Prüf- und Zertifizierungsstelle
Siekgraben 56 · D-38124 Braunschweig

2. Ergänzung

(Ergänzung gemäß EG-Richtlinie 94/9 Anhang III Ziffer 6)

ZELM ex

zur EG-Baumusterprüfbescheinigung

ZELM 06 ATEX 0299

Gerät: **Messwandler Typ KSR-OPTO.21*.06XX**
 Hersteller: **KSR KUEBLER Niveau-Messtechnik AG**
 Anschrift: **D-69439 Zwingenberg**

Beschreibung der Ergänzung

Die 2. Ergänzung betrifft Zusammenfassungen der Rahmenbedingungen sowie die Änderung des Typenschlüssels und der Kennzeichnung. Der Typenschlüssel lautet künftig:

KSR-OPTO. 2 1 X 3 0 0 X X X . 0 6 X X											
Ex	2										
	Niveau	1									
Messung	Trennsch. 2										
Messlänge	Messlänge ML XXX in cm z.B. 150 mm = 015		X	X	X				6	ohne, ML=25 mm	Verlängerung
						8	mit, ML=50-960 mm				
											T _{Proc}
											0 -65...+250 °C
											1 -65... 250 °C + Isolierstrecke
											8 -269...+400 °C + Isolierstrecke
											9 -269...+400 °C

Die Angaben zur Prozesstemperatur T_{Proc} sind nicht Gegenstand dieser EG-Baumusterprüfbescheinigung. Es gelten die Angaben des Herstellers, die auf dem Typenschild vermerkt sind. Die Betriebsanleitung ist zu beachten. Der Messwandler Typ KSR-OPTO.21X300XXX.06XX darf künftig nur noch entsprechend dieser 2. Ergänzung gefertigt und gekennzeichnet werden. Die elektrischen Daten und alle übrigen Daten bleiben unverändert und gelten auch weiterhin.

Prüfbericht Nr.

ZELM Ex 0501325979

Grundlegende Sicherheits- und Gesundheitsanforderungen

Die grundlegenden Sicherheits- und Gesundheitsanforderungen werden weiterhin erfüllt durch Übereinstimmung mit folgenden Normen:

EN 60079-0:2009 EN 60079-11:2007
 EN 60079-26:2007 EN 60079-28:2007

Braunschweig, 2013-04-29

ZELM ex

Zertifizierungs-
stelle



Zertifizierungsstelle ZELM ex
 Dipl.-Ing. Harald Zelm

ZELM ex

Seite 1 von 1

EG-Baumusterprüfbescheinigungen ohne Unterschrift und ohne Stempel haben keine Gültigkeit. Diese EG-Baumusterprüfbescheinigung darf nur unverändert weiterverbreitet werden. Auszüge oder Änderungen bedürfen der Genehmigung der Prüf- und Zertifizierungsstelle ZELM ex.

ZELM ex
 Prüf- und Zertifizierungsstelle
 Siekgraben 56 · D-38124 Braunschweig

3. Ergänzung

(Ergänzung gemäß EG-Richtlinie 94/9 Anhang III Ziffer 6)

ZELM ex

zur EG-Baumusterprüfbescheinigung

ZELM 06 ATEX 0299

Gerät: **Messwandler Typ KSR-OPTO.21X300XXX.06XX**
Hersteller: **KSR KUEBLER Niveau-Messtechnik AG**
Anschrift: **Heinrich-Kuebler-Platz 1, D-69439 Zwingenberg am Neckar**

Beschreibung der Ergänzung

Die 3. Ergänzung betrifft die Überprüfung des Gerätes auf Übereinstimmung mit den aktuellen Normen.

Die Betriebsanleitung ist zu beachten. Der Messwandler Typen KSR-OPTO.21X300XXX.06XX dürfen künftig auch entsprechend dieser 3. Ergänzung gefertigt werden. Die Kennzeichnung, die elektrischen Daten und alle übrigen Daten bleiben unverändert und gelten auch weiterhin.

Prüfbericht Nr.

ZELM Ex 15313191026

Grundlegende Sicherheits- und Gesundheitsanforderungen

Die grundlegenden Sicherheits- und Gesundheitsanforderungen werden weiterhin erfüllt durch Übereinstimmung mit folgenden Normen:

EN 60079-0:2012 EN 60079-11:2012
EN 60079-26:2007 EN 60079-28:2007

Braunschweig, 2014-03-07

ZELM ex

Zertifizierungs-
stelle



Zertifizierungsstelle ZELM ex
Dipl.-Ing. Harald Zelm



Seite 1 von 1

EG-Baumusterprüfbescheinigungen ohne Unterschrift und ohne Stempel haben keine Gültigkeit.
Diese EG-Baumusterprüfbescheinigung darf nur unverändert weiterverbreitet werden. Auszüge
oder Änderungen bedürfen der Genehmigung der Prüf- und Zertifizierungsstelle ZELM ex.

ZELM ex
Prüf- und Zertifizierungsstelle
Siekgraben 56 · D-38124 Braunschweig



Prüf- und Zertifizierungsstelle

ZELM Ex



(1) **EG-Baumusterprüfbescheinigung**

- (2) Geräte und Schutzsysteme zur bestimmungsgemäßen Verwendung in explosionsgefährdeten Bereichen – **Richtlinie 94/9/EG**
(3) EG-Baumusterprüfbescheinigungsnummer

ZELM 06 ATEX 0300

- (4) Gerät: **Schaltverstärker Typ KSR-OPTO.2502.XX**
(5) Hersteller: **KSR KUEBLER Niveau-Messtechnik AG**
(6) Anschrift: **D-69439 Zwingenberg**

(7) Die Bauart dieses Gerätes sowie die verschiedenen zulässigen Ausführungen sind in der Anlage zu dieser Baumusterprüfbescheinigung festgelegt.

(8) Die Prüf- und Zertifizierungsstelle ZELM Ex bescheinigt als benannte Stelle Nr. 0820 nach Artikel 9 der Richtlinie des Rates der Europäischen Gemeinschaften vom 23. März 1994 (94/9/EG) die Erfüllung der grundlegenden Sicherheits- und Gesundheitsanforderungen für die Konzeption und den Bau von Geräten und Schutzsystemen zur bestimmungsgemäßen Verwendung in explosionsgefährdeten Bereichen gemäß Anhang II der Richtlinie.

Die Ergebnisse der Prüfung sind in dem vertraulichen Prüfbericht Nr. ZELM Ex 0500615469 festgelegt.

(9) Die grundlegenden Sicherheits- und Gesundheitsanforderungen werden erfüllt durch Übereinstimmung mit

EN 50014: 1997+A1+A2

EN 50020: 1994

(10) Falls das Zeichen "X" hinter der Bescheinigungsnummer steht, wird auf besondere Bedingungen für die sichere Anwendung des Gerätes in der Anlage zu dieser Bescheinigung hingewiesen.

(11) Diese EG-Baumusterprüfbescheinigung bezieht sich nur auf Konstruktion, Überprüfung und Tests des spezifizierten Gerätes oder Schutzsystems in Übereinstimmung mit Richtlinie 94/9/EG. Weitere Anforderungen der Richtlinie können für das Herstellungsverfahren und die Lieferung dieses Gerätes oder Schutzsystems gelten. Diese sind von vorliegender Bescheinigung nicht abgedeckt.


(12) Die Kennzeichnung des Gerätes muß die folgenden Angaben enthalten:



II (2) G [EEx ib] IIC

Zertifizierungsstelle ZELM Ex

Braunschweig, 19.07.2006


Dipl.-Ing. Harald Zelm



Seite 1/3

EG-Baumusterprüfbescheinigungen ohne Unterschrift und ohne Stempel haben keine Gültigkeit.
Diese EG-Baumusterprüfbescheinigung darf nur unverändert weiterverbreitet werden.
Auszüge oder Änderungen bedürfen der Genehmigung der Prüf- und Zertifizierungsstelle ZELM Ex

Prüf- und Zertifizierungsstelle ZELM Ex • Siekgraben 56 • D-38124 Braunschweig



Anlage

(13)

(14) **EG-Baumusterprüfbescheinigung ZELM 06 ATEX 0300**

(15) Beschreibung des Gerätes

Der Schaltverstärker Typ KSR-OPTO.2502.XX dient zur Aufbereitung und Übertragung der Signale aus dem eigensicheren Messstromkreis in die Relaiskontaktstromkreise.

Das Symbol „X“ in der Typenbezeichnung steht für zulässige Varianten des Schaltverstärkers und wird durch festgelegte Ziffern ersetzt.

Der zulässige Umgebungstemperaturbereich beträgt -40 bis $+60^{\circ}\text{C}$.

Elektrische Daten

Versorgung:

Typ KSR-OPTO.2502.1X

230 VAC $\pm 10\%$, 2,8 VA
sicherheitstechnische Maximalspannung $U_m = 253$ V
bzw.

Typ KSR-OPTO.2502.2X

115/120 VAC $\pm 15\%$, 2,8 VA
sicherheitstechnische Maximalspannung $U_m = 140$ V
bzw.

Typ KSR-OPTO.2502.3X

24 VAC $\pm 15\%$, 2,8 VA
sicherheitstechnische Maximalspannung $U_m = 33$ V
bzw.

Typ KSR-OPTO.2502.4X

24 VDC $\pm 25\%$, 2,8 W
sicherheitstechnische Maximalspannung $U_m = 33$ V

Messstromkreis

in Zündschutzart Eigensicherheit EEx ib IIC

Höchstwerte: $U_o = 9,6$ V
 $I_o = 149$ mA
 $P_o = 1$ W

höchstzul. äußere Kapazität $C_o = 3$ μF
höchstzul. äußere Induktivität $L_o = 0,5$ mH

Kontaktstromkreise

Der Schaltverstärker enthält zwei Kontaktstromkreise
(Störung und Signal)

Höchstwerte je Kontaktstromkreis:

Wechselspannung: $U_{\max} = 253$ V $I_{\max} = 3$ A ($U_m = 253$ V)

Gleichspannung: $U_{\max} = 40$ V $I_{\max} = 2$ A ($U_m = 125$ V)

$S_{\max} = 100$ VA

Seite 2/3

EG-Baumusterprüfbescheinigungen ohne Unterschrift und ohne Stempel haben keine Gültigkeit.
Diese EG-Baumusterprüfbescheinigung darf nur unverändert weiterverbreitet werden.
Auszüge oder Änderungen bedürfen der Genehmigung der Prüf- und Zertifizierungsstelle ZELM Ex

Prüf- und Zertifizierungsstelle ZELM Ex • Siekgraben 56 • D-38124 Braunschweig



Prüf- und Zertifizierungsstelle
ZELM Ex



Anlage zur EG-Baumusterprüfbescheinigung ZELM 06 ATEX 0300

Der eigensichere Messstromkreis ist von allen weiteren Stromkreisen bis zu einem Scheitelwert der Nennspannungen von 375 V sicher galvanisch getrennt.

Die Zuordnung der Abschlüsse zu den entsprechenden Stromkreisen ist entsprechend der jeweiligen Ausführung der Betriebsanleitung zu entnehmen.

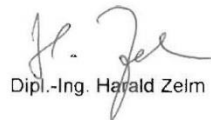
Hinweis :

Die Bedienungsanleitung ist zu beachten.

- (16) Prüfbericht Nr.
ZELM Ex 0500615469
- (17) Besondere Bedingungen
nicht zutreffend
- (18) Grundlegende Sicherheits- und Gesundheitsanforderungen
durch Normen erfüllt

Zertifizierungsstelle ZELM Ex

Braunschweig, 19.07.2006


Dipl.-Ing. Harald Zelm



Seite 3/3

EG-Baumusterprüfbescheinigungen ohne Unterschrift und ohne Stempel haben keine Gültigkeit.
Diese EG-Baumusterprüfbescheinigung darf nur unverändert weiterverbreitet werden.
Auszüge oder Änderungen bedürfen der Genehmigung der Prüf- und Zertifizierungsstelle ZELM Ex

Prüf- und Zertifizierungsstelle ZELM Ex • Siekgraben 56 • D-38124 Braunschweig

1. Ergänzung

(Ergänzung gemäß EG-Richtlinie 94/9 Anhang III Ziffer 6)

ZELM ex

zur EG-Baumusterprüfbescheinigung

ZELM 06 ATEX 0300

Gerät: **Schaltverstärker Typ KSR-OPTO.2502.XX**

Hersteller: **KSR KUEBLER Niveau-Messtechnik AG**

Anschrift: **D-69439 Zwingenberg**

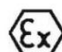
Beschreibung der Ergänzung

Im Rahmen der 1. Ergänzung zur EG-Baumusterprüfbescheinigung ZELM 06 ATEX 0300 wurde der innere Aufbau des Betriebsmittels geringfügig modifiziert, sowie die Übereinstimmung mit den aktuellen Normen geprüft.

Das Explosionsschutzkonzept des Betriebsmittels wird durch diese Änderungen nicht beeinträchtigt und gilt weiterhin.

Die Zündschutzart, alle übrigen Daten sowie die besonderen Bedingungen bleiben unverändert und gelten auch für diese 1. Ergänzung.

Die Kennzeichnung des Betriebsmittels ändert sich wie folgt:

 II (2) G [Ex ib] IIC

Das Betriebsmittel darf künftig auch unter Berücksichtigung dieser 1. Ergänzung gefertigt werden.

Prüfbericht Nr.

ZELM Ex 0791019808

Grundlegende Sicherheits- und Gesundheitsanforderungen

Die grundlegenden Sicherheits- und Gesundheitsanforderungen werden weiterhin erfüllt durch Übereinstimmung mit folgenden Normen:

EN 60079-0:2009 EN 60079-11:2007

Braunschweig, 22.10.2010

ZELM ex

Zertifizierungs-
stelle



Zertifizierungsstelle ZELM ex
Dipl.-Ing. Harald Zelm

ZELM ex

Seite 1 von 1

EG-Baumusterprüfbescheinigungen ohne Unterschrift und ohne Stempel haben keine Gültigkeit.
Diese EG-Baumusterprüfung darf nur unverändert weiterverarbeitet werden.
Auszüge oder Änderungen bedürfen der Genehmigung der Prüf- und Zertifizierungsstelle ZELM ex

ZELM ex
Prüf- und Zertifizierungsstelle
Siekgraben 56 · D-38124 Braunschweig

2. Ergänzung

(Ergänzung gemäß EG-Richtlinie 94/9 Anhang III Ziffer 6)

ZELM ex

zur EG-Baumusterprüfbescheinigung

ZELM 06 ATEX 0300

Gerät: **Schaltverstärker Typ KSR-OPTO.2502.XX**
Hersteller: **KSR KUEBLER Niveau-Messtechnik AG**
Anschrift: **D-69439 Zwingenberg**

Beschreibung der Ergänzung

Die 2. Ergänzung zur EG-Baumusterprüfbescheinigung ZELM 06 ATEX 0300 betrifft Zusammenfassungen der Rahmenbedingungen.

Die Zündschutzart, die elektrischen und alle übrigen Daten bleiben unverändert und gelten auch für diese 2. Ergänzung.

Der Schaltverstärker Typ KSR-OPTO.2502.XX darf künftig nur noch unter Berücksichtigung dieser 2. Ergänzung gefertigt werden.

Prüfbericht Nr.

ZELM Ex 0511325980

Grundlegende Sicherheits- und Gesundheitsanforderungen

Die grundlegenden Sicherheits- und Gesundheitsanforderungen werden weiterhin erfüllt durch Übereinstimmung mit folgenden Normen:

EN 60079-0:2009 EN 60079-11:2007

Braunschweig, 2013-04-29

ZELM ex

Zertifizierungs-
stelle



Zertifizierungsstelle ZELM ex
Dipl.-Ing. Harald Zelm



Seite 1 von 1

EG-Baumusterprüfbescheinigungen ohne Unterschrift und ohne Stempel haben keine Gültigkeit.
Diese EG-Baumusterprüfbescheinigung darf nur unverändert weiterverbreitet werden. Auszüge
oder Änderungen bedürfen der Genehmigung der Prüf- und Zertifizierungsstelle ZELM ex.

ZELM ex
Prüf- und Zertifizierungsstelle
Siekgraben 56 · D-38124 Braunschweig

3. Ergänzung

(Ergänzung gemäß EG-Richtlinie 94/9 Anhang III Ziffer 6)

ZELM ex

zur EG-Baumusterprüfbescheinigung

ZELM 06 ATEX 0300

Gerät: **Schaltverstärker Typ KSR-OPTO.2502.XX**
Hersteller: **KSR Kuebler Niveau-Messtechnik AG**
Anschrift: **Heinrich-Kuebler-Platz 1, D-69439 Zwingenberg am Neckar**

Beschreibung der Ergänzung

Im Rahmen der 3. Ergänzung wurden Änderungen am inneren Aufbau des Gerätes berücksichtigt, die elektrischen Daten der Versorgung angepasst, der Umgebungstemperaturbereich konkretisiert und das Gerät auf Übereinstimmung mit den aktuellen Normen geprüft.

Die elektrischen Daten der Versorgung ändern sich. Zusammenfassend sind alle elektrischen Daten nochmals aufgeführt.

Elektrische Daten

Versorgung: **Typ KSR-OPTO.2502.1X**
230 VAC \pm 10%, 5 VA
sicherheitstechnische Maximalspannung $U_m = 253$ V
bzw.
Typ KSR-OPTO.2502.2X
115/120 VAC \pm 15%, 5 VA
sicherheitstechnische Maximalspannung $U_m = 140$ V
bzw.
Typ KSR-OPTO.2502.3X
24 VAC \pm 15%, 5 VA
sicherheitstechnische Maximalspannung $U_m = 33$ V
bzw.
Typ KSR-OPTO.2502.4X
24 VDC \pm 25%, 5 W
sicherheitstechnische Maximalspannung $U_m = 33$ V

Messstromkreis: in Zündschutzart Eigensicherheit Ex ib IIC

Höchstwerte:

$U_o \leq$	9,6	V
$I_o \leq$	149	mA
$P_o \leq$	1	W
höchstzulässige äußere Kapazität	$C_o \leq$	3 μ F
höchstzulässige äußere Induktivität	$L_o \leq$	0,5 mH

Seite 1 von 2

EG-Baumusterprüfbescheinigungen ohne Unterschrift und ohne Stempel haben keine Gültigkeit. Diese EG-Baumusterprüfbescheinigung darf nur unverändert weiterverbreitet werden. Auszüge oder Änderungen bedürfen der Genehmigung der Prüf- und Zertifizierungsstelle ZELM EX.

ZELM ex
Prüf- und Zertifizierungsstelle
Siekgraben 56 · D-38124 Braunschweig

**3. Ergänzung
zur EG-Baumusterprüfbescheinigung ZELM 06 ATEX 0300**

ZELM ex

Kontaktstromkreise:	Der Schaltverstärker enthält zwei Kontaktstromkreise (Störung und Signal)
Höchstwerte je Kontaktstromkreis:	
Wechselspannung:	$U_{\max} = 253 \text{ V}$ $I_{\max} = 3 \text{ A}$ $U_m = 253 \text{ V}$
Gleichspannung:	$U_{\max} = 40 \text{ V}$ $I_{\max} = 2 \text{ A}$ $U_m = 125 \text{ V}$ $S_{\max} = 100 \text{ VA}$

Der eigensichere Messstromkreis ist von allen weiteren Stromkreisen bis zu einem Scheitelwert der Nennspannungen von 375 V sicher galvanisch getrennt.

Die Zuordnung der Anschlüsse zu den entsprechenden Stromkreisen ist entsprechend der jeweiligen Ausführung der Betriebsanleitung zu entnehmen.

Der Umgebungstemperaturbereich für die Variante KSR-OPTO.2502.X1 ist: $-40 \text{ °C} \leq T_{\text{amb}} \leq 40 \text{ °C}$

Der Umgebungstemperaturbereich für die Variante KSR-OPTO.2502.X7 ist: $-25 \text{ °C} \leq T_{\text{amb}} \leq 60 \text{ °C}$

Die Kennzeichnung, sowie alle übrigen Angaben bleiben unverändert und gelten auch weiterhin.

Die Schaltverstärker Typ KSR-OPTO.2502.XX dürfen künftig auch unter Berücksichtigung dieser Ergänzung gefertigt werden.

Prüfbericht Nr.

ZELM Ex 15213191027

Grundlegende Sicherheits- und Gesundheitsanforderungen

Die grundlegenden Sicherheits- und Gesundheitsanforderungen werden erfüllt durch Übereinstimmung mit folgenden Normen:

EN 60079-0:2012

EN 60079-11:2012

Braunschweig, 2014-03-07

ZELM ex

Zertifizierungs-
stelle

Zertifizierungsstelle ZELM ex
Dipl.-Ing. Harald Zelm



Seite 2 von 2

EG-Baumusterprüfbescheinigungen ohne Unterschrift und ohne Stempel haben keine Gültigkeit. Diese EG-Baumusterprüfbescheinigung darf nur unverändert weiterverbreitet werden. Auszüge oder Änderungen bedürfen der Genehmigung der Prüf- und Zertifizierungsstelle ZELM ex.

ZELM ex
Prüf- und Zertifizierungsstelle
Siekgraben 56 · D-38124 Braunschweig

13.1 EU Declaration of Conformity



EU-Konformitätserklärung EU Declaration of Conformity

Dokument Nr.: 1131_02
Document No.:

Wir erklären in alleiniger Verantwortung, dass die mit CE gekennzeichneten Produkte
We declare under our sole responsibility that the CE marked products

Typenbezeichnung: OLS-S ; OLS-H
Type Designation:

Beschreibung: Optoelektronischer Füllstandsschalter, Standard- und Hochdruckausführung
Description: Optoelectronic level switch, standard and high-pressure version

die grundlegenden Schutzanforderungen der folgenden Richtlinien erfüllen: Harmonisierte Normen:
comply with the essential protection requirements of the directives: Harmonized standards:

2011/65/EU	Gefährliche Stoffe (RoHS) Hazardous substances (RoHS)	EN 50581:2012
2014/30/EU	Elektromagnetische Verträglichkeit ⁽¹⁾ Electromagnetic Compatibility ⁽¹⁾	EN 61326-1:2013 EN 61326-2-3:2013

⁽¹⁾ Emission (Gruppe 1, Klasse A) und Störfestigkeit (industrieller Bereich).
Emission (group 1, class A) and immunity (industrial application).

Unterzeichnet für und im Namen von / Signed for and on behalf of

KSR Kuebler Niveau-Messtechnik AG

Zwingenberg, 2017-06-14

Thomas Gerling, Vorstand / CEO
KSR Kuebler Niveau-Messtechnik AG

KSR/KUEBLER Niveau-Messtechnik AG
Heinrich-Kuebler-Platz 1
69439 Zwingenberg
Deutschland

Tel.: +49 6263 87-0
Fax: +49 6263 87-99
E-Mail: info@ksr-kuebler.com
www.ksr-kuebler.com

Amtsgericht Mannheim HRB 714806
Vorsitz des Aufsichtsrates: Dirk Fellermann
Vorstand: Thomas Gerling (Vorsitzender)
Gerichtsstand: Mosbach/Baden

EU-Konformitätserklärung EU Declaration of Conformity

Dokument Nr.: 1116_02
Document No.:

Wir erklären in alleiniger Verantwortung, dass die mit CE gekennzeichneten Produkte
We declare under our sole responsibility that the CE marked products

Typenbezeichnung: KSR-OPTO.21X300XXX.06XX
Type Designation:

Beschreibung: Messwandler
Description: Transducer

die grundlegenden Schutzanforderungen der folgenden Richtlinien erfüllen: Harmonisierte Normen:
comply with the essential protection requirements of the directives: Harmonized standards:

2011/65/EU	Gefährliche Stoffe (RoHS) <i>Hazardous substances (RoHS)</i>	EN 50581:2012
2014/30/EU	Elektromagnetische Verträglichkeit ⁽¹⁾ <i>Electromagnetic Compatibility⁽¹⁾</i>	EN 61326-1:2013 EN 61326-2-3:2013
2014/34/EU	Explosionsschutz (ATEX) ⁽²⁾⁽³⁾ <i>Explosion protection (ATEX)⁽²⁾⁽³⁾</i>	

Zertifiziert nach / *Certified to*
EN 60079-0:2012
EN 60079-11:2012
EN 60079-26:2007
EN 60079-28:2007



II 1/2 G Ex ib op is IIC T5, T6


Entspricht auch / *Also complies with*
EN 60079-0:2012+A11:2013
EN 60079-26:2015
EN 60079-28:2015

- (1) Emission (Gruppe 1, Klasse A) und Störfestigkeit (industrieller Bereich)
Emission (group 1, class A) and immunity (industrial application)
- (2) EG-Baumusterprüfbescheinigung ZELM 06 ATEX 0299 von ZELM EX, Siekgraben 56, 38124 Braunschweig (Reg.-Nr. 0820).
EC type examination certificate ZELM 06 ATEX 0299 of ZELM EX, Siekgraben 56, 38124 Braunschweig (Reg.no. 0820).
- (3) Notifizierte Stelle: IBExU Institut für Sicherheitstechnik GmbH, Fuchsmühlenweg 7, 09599 Freiberg (Reg.-Nr. 0637).
Notified Body: IBExU Institut für Sicherheitstechnik GmbH, Fuchsmühlenweg 7, 09599 Freiberg (Reg. no. 0637).

Unterzeichnet für und im Namen von / *Signed for and on behalf of*

KSR Kuebler Niveau-Messtechnik AG

Zwingenberg, 2017-06-13


Thomas Gerling, Vorstand / *CEO*
KSR Kuebler Niveau-Messtechnik AG

KSR KUEBLER Niveau-Messtechnik AG
Heinrich-Kuebler-Platz 1
69439 Zwingenberg
Deutschland

Tel.: +49 6263 87-0
Fax: +49 6263 87-99
E-Mail: info@ksr-kuebler.com
www.ksr-kuebler.com

Amtsgericht Mannheim HRB 714806
Vorsitz des Aufsichtsrates: Dirk Fellermann
Vorstand: Thomas Gerling (Vorsitzender)
Gerichtsstand: Mosbach/Baden

EU-Konformitätserklärung
EU Declaration of Conformity

Dokument Nr.: 1134_02
Document No.:

Wir erklären in alleiniger Verantwortung, dass die mit CE gekennzeichneten Produkte
We declare under our sole responsibility that the CE marked products

Typenbezeichnung: OSA-S
Type Designation:

Beschreibung: Schaltverstärker
Description: Switching amplifier

die grundlegenden Schutzanforderungen der folgenden Richtlinien erfüllen: Harmonisierte Normen:
comply with the essential protection requirements of the directives: Harmonized standards:


2011/65/EU	Gefährliche Stoffe (RoHS) Hazardous substances (RoHS)	EN 50581:2012
2014/30/EU	Elektromagnetische Verträglichkeit ⁽¹⁾ Electromagnetic Compatibility ⁽¹⁾	EN 61326-1:2013 EN 61326-2-3:2013
2014/35/EU	Niederspannungsrichtlinie Low Voltage Directive	EN 61010-1:2010

⁽¹⁾ Emission (Gruppe 1, Klasse A) und Störfestigkeit (industrieller Bereich).
Emission (group 1, class A) and immunity (industrial application).

Unterzeichnet für und im Namen von / Signed for and on behalf of

KSR Kuebler Niveau-Messtechnik AG

Zwingenberg, 2017-06-14


Thomas Gerling, Vorstand / CEO
KSR Kuebler Niveau-Messtechnik AG

KSR KUEBLER Niveau-Messtechnik AG
Heinrich-Kuebler-Platz 1
69439 Zwingenberg
Deutschland

Tel.: +49 6263 87-0
Fax: +49 6263 87-99
E-Mail: info@ksr-kuebler.com
www.ksr-kuebler.com

Amtsgericht Mannheim HRB 714806
Vorsitz des Aufsichtsrates: Dirk Fellermann
Vorstand: Thomas Gerling (Vorsitzender)
Gerichtsstand: Mosbach/Baden

EU-Konformitätserklärung
EU Declaration of Conformity

Dokument Nr.: 1117_02
Document No.:

Wir erklären in alleiniger Verantwortung, dass die mit CE gekennzeichneten Produkte
We declare under our sole responsibility that the CE marked products

Typenbezeichnung: KSR-OPTO.2502.XX
Type Designation:

Beschreibung: Schaltverstärker
Description: Switching Amplifier

die grundlegenden Schutzanforderungen der folgenden Richtlinien erfüllen: *comply with the essential protection requirements of the directives:* Harmonisierte Normen: *Harmonized standards:*

2011/65/EU	Gefährliche Stoffe (RoHS) <i>Hazardous substances (RoHS)</i>	EN 50581:2012
2014/30/EU	Elektromagnetische Verträglichkeit ⁽¹⁾ <i>Electromagnetic Compatibility⁽¹⁾</i>	EN 61326-1:2013 EN 61326-2-3:2013
2014/35/EU	Niederspannungsrichtlinie <i>Low Voltage Directive</i>	EN 61010-1:2010
2014/34/EU	Explosionsschutz (ATEX) ⁽²⁾⁽³⁾ <i>Explosion protection (ATEX)⁽²⁾⁽³⁾</i>	

Zertifiziert nach / *Certified to*
EN 60079-0:2012
EN 60079-11:2012



II (2) G [Ex ib] IIC

Entspricht auch / *Also complies with*
EN 60079-0:2012+A11:2013

- (1) Emission (Gruppe 1, Klasse A) und Störfestigkeit (industrieller Bereich)
Emission (group 1, class A) and immunity (industrial application)
- (2) EG-Baumusterprüfbescheinigung ZELM 06 ATEX 0300 von ZELM EX, Siekgraben 56, 38124 Braunschweig (Reg.-Nr. 0820),
EC type examination certificate ZELM 06 ATEX 0300 of ZELM EX, Siekgraben 56, 38124 Braunschweig (Reg.no. 0820).
- (3) Notifizierte Stelle: IBExU Institut für Sicherheitstechnik GmbH, Fuchsmühlenweg 7, 09599 Freiberg (Reg.-Nr. 0637).
Notified Body: IBExU Institut für Sicherheitstechnik GmbH, Fuchsmühlenweg 7, 09599 Freiberg (Reg. no. 0637).

Unterzeichnet für und im Namen von / *Signed for and on behalf of*

KSR Kuebler Niveau-Messtechnik AG

Zwingenberg, 2017-06-13

Thomas Gerling, Vorstand / CEO
KSR Kuebler Niveau-Messtechnik AG

KSR KUEBLER Niveau-Messtechnik AG
Heinrich-Kuebler-Platz 1
69439 Zwingenberg
Deutschland

Tel.: +49 6263 87-0
Fax: +49 6263 87-99
E-Mail: info@ksr-kuebler.com
www.ksr-kuebler.com

Amtsgericht Mannheim HRB 714806
Vorsitz des Aufsichtsrates: Dirk Fellerermann
Vorstand: Thomas Gerling (Vorsitzender)
Gerichtsstand: Mosbach/Baden