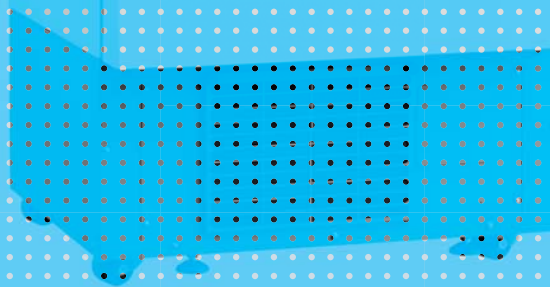


Register your instrument!  
[www.eppendorf.com/myeppendorf](http://www.eppendorf.com/myeppendorf)



# CryoCube F440n, F440h

Operating manual

Copyright© 2021 Eppendorf AG, Germany. All rights reserved, including graphics and images. No part of this publication may be reproduced without the prior permission of the copyright owner.

Eppendorf® and the Eppendorf Brand Design are registered trademarks of Eppendorf AG, Germany.

CryoCube® and VisioNize® logo are registered trademarks of Eppendorf AG, Germany.

Registered trademarks and protected trademarks are not marked in all cases with ® or ™ in this manual.

U.S. Patents are listed on [www.eppendorf.com/ip](http://www.eppendorf.com/ip)

## Table of contents

<b>1</b>	<b>Operating instructions</b>	<b>7</b>
1.1	Using this manual	7
1.2	Danger symbols and danger levels	7
1.2.1	Danger symbols	7
1.2.2	Danger levels	7
1.3	Symbols used	8
1.4	Version overview	8
<b>2</b>	<b>Safety</b>	<b>9</b>
2.1	Intended use	9
2.2	Warnings for intended use	9
2.2.1	Devices with flammable refrigerant	10
2.3	User profile	10
2.4	Personal protective equipment	11
2.5	Information on product liability	11
2.6	Maintenance and repairs	11
2.7	Electromagnetic compatibility	12
2.7.1	Europe	12
2.7.2	U.S.A.	12
2.8	Warning symbols on the device	12
<b>3</b>	<b>Product description</b>	<b>15</b>
3.1	Product overview CryoCube F440n and CryoCube F440h	15
3.1.1	General view	15
3.1.2	Interior view	17
3.1.3	Interfaces	18
3.2	Features	19
3.3	Models	19
3.4	Alarms	20
3.5	Delivery package	20
3.6	Accessories	21
3.6.1	Back-up systems	21
3.6.2	Chart recorder	21
3.6.3	Racks for ULT upright freezers	21
3.6.4	Cardboard boxes and box dividers	22
3.6.5	Eppendorf Storage Box	22
<b>4</b>	<b>Installation</b>	<b>25</b>
4.1	Selecting the location	25
4.2	Preparing installation	26
4.2.1	Unpacking the device	26
4.2.2	Checking the delivery	26
4.2.3	Transporting the device to the location	26
4.2.4	Setting up the device	27
4.3	Removing the transport clips from the inner shelves	27
4.4	Changing a shelf position	28
4.5	Connecting the device to the voltage supply	29
4.6	Connecting the device to external systems	29

4.6.1	Remote alarm interface . . . . .	29
4.6.2	RS-485 interface . . . . .	30
4.7	Switching on the device . . . . .	31
4.7.1	Enabling the back-up circuit. . . . .	31
4.7.2	Switching the device on at the mains/power switch. . . . .	32
4.8	Basic device settings . . . . .	32
<b>5</b>	<b>Operation . . . . .</b>	<b>33</b>
5.1	Opening the outer door. . . . .	33
5.1.1	Opening the outer door. . . . .	33
5.2	Loading the device . . . . .	34
5.3	Locking the outer door . . . . .	35
5.3.1	Locking the outer door . . . . .	35
5.4	Pressure compensation. . . . .	36
5.5	Switching off the device . . . . .	36
5.5.1	Deactivating the battery back-up circuit. . . . .	36
5.5.2	Disconnecting the device from the voltage supply. . . . .	37
<b>6</b>	<b>Software . . . . .</b>	<b>39</b>
6.1	Overview of the control panel . . . . .	39
6.2	Checking parameters . . . . .	40
6.2.1	Displaying the set temperature for the interior of the device. . . . .	40
6.2.2	Displaying the alarm limits for the interior temperature . . . . .	40
6.2.3	Displaying the alarm delay time . . . . .	40
6.3	Working with a lock code . . . . .	40
6.3.1	Unlocking and locking the device. . . . .	40
6.3.2	Activating and changing the lock code. . . . .	41
6.3.3	Deactivating the lock code . . . . .	42
6.4	Programming parameters. . . . .	42
6.4.1	Setting the set temperature value for the interior. . . . .	42
6.4.2	Setting an offset for the set temperature in the interior . . . . .	43
6.4.3	Setting alarm limits . . . . .	43
6.4.4	Setting an alarm delay time . . . . .	44
<b>7</b>	<b>Maintenance . . . . .</b>	<b>45</b>
7.1	Service options . . . . .	45
7.2	Service schedule . . . . .	45
7.3	Defrosting the device . . . . .	45
7.4	Cleaning and decontamination . . . . .	46
7.4.1	Cleaning the device. . . . .	46
7.4.2	Cleaning and decontaminating the control panel. . . . .	47
7.4.3	Removing the inner door . . . . .	47
7.4.4	Installing the inner door again . . . . .	48
7.4.5	Cleaning the seals . . . . .	48
7.4.6	Cleaning the air filter and the air intake grille . . . . .	48
7.4.7	Decontaminating the interior . . . . .	49
7.5	Fuses . . . . .	49
7.6	Checking the alarm . . . . .	49
7.6.1	Checking indicator lights and the signal tone. . . . .	49
7.6.2	Checking the alarm in the case of a mains/power outage . . . . .	49

7.7	Safety checklist . . . . .	50
<b>8</b>	<b>Troubleshooting . . . . .</b>	<b>53</b>
8.1	General errors . . . . .	53
8.1.1	Outer door . . . . .	53
8.1.2	Air filter . . . . .	53
8.2	Software error messages . . . . .	53
8.3	Mains/power outage . . . . .	54
8.4	Heating up of the interior . . . . .	54
<b>9</b>	<b>Transport, storage and disposal . . . . .</b>	<b>55</b>
9.1	Decommissioning . . . . .	55
9.2	Transport . . . . .	55
9.2.1	Preparing the device for transport . . . . .	56
9.2.2	Transporting the device . . . . .	57
9.3	Shipment . . . . .	58
9.3.1	Shipping regulations . . . . .	58
9.3.2	Shipping the device . . . . .	58
9.4	Disposal . . . . .	59
<b>10</b>	<b>Technical data . . . . .</b>	<b>61</b>
10.1	Power supply . . . . .	61
10.2	Ambient conditions . . . . .	61
10.2.1	Operation . . . . .	61
10.3	Dimensions . . . . .	62
10.3.1	External dimensions . . . . .	62
10.3.2	Internal dimensions . . . . .	63
10.4	Weight . . . . .	64
10.5	Interfaces . . . . .	64
10.6	Temperature control . . . . .	64
10.6.1	Temperature range . . . . .	64
10.6.2	Cooling of the refrigeration cycle . . . . .	64
10.6.3	Refrigerant . . . . .	64
10.7	Additional specifications . . . . .	65
10.7.1	Capacity and carrying capacity . . . . .	65
10.7.2	Material . . . . .	65
<b>11</b>	<b>Ordering information . . . . .</b>	<b>67</b>
11.1	Accessories . . . . .	67
11.1.1	Back-up systems . . . . .	67
11.1.2	Chart recorder . . . . .	67
11.1.3	Shelf . . . . .	67
11.1.4	Racks for ULT upright freezers . . . . .	68
11.1.5	Cardboard boxes and box dividers . . . . .	68
11.1.6	Eppendorf Storage Boxes . . . . .	69
11.1.7	VisioNize system . . . . .	69
	<b>Index . . . . .</b>	<b>70</b>



## 1 Operating instructions











### 1.1 Using this manual

- ▶ Read this operating manual completely before using the device for the first time. Observe the instructions for use of the accessories where applicable.
- ▶ This operating manual is part of the product. Please keep it in a place that is easily accessible.
- ▶ Enclose this operating manual when transferring the device to third parties.
- ▶ The current version of the operating manual for all available languages can be found on our webpage [www.eppendorf.com/manuals](http://www.eppendorf.com/manuals).

### 1.2 Danger symbols and danger levels

#### 1.2.1 Danger symbols

The safety instructions in this manual have the following danger symbols and danger levels:

	<b>Risk of tipping over</b>		<b>Electric shock</b>
	<b>Highly flammable substances</b>		<b>Explosive substances</b>
	<b>Low temperatures</b>		<b>Biohazard</b>
	<b>Heavy load</b>		<b>Risk of crushing</b>
	<b>Hazard point</b>		<b>Material damage</b>

#### 1.2.2 Danger levels

<b>DANGER</b>	<i>Will</i> lead to severe injuries or death.
<b>WARNING</b>	<i>May</i> lead to severe injuries or death.
<b>CAUTION</b>	May lead to light to moderate injuries.
<b>NOTICE</b>	May lead to material damage.

### 1.3 Symbols used

Depiction	Meaning
1. 2.	Actions in the specified order
▶	Actions without a specified order
•	List
<i>Text</i>	Display or software texts
<b>i</b>	Additional information

### 1.4 Version overview

Version	Date	Change
00	April 2021	Created new



## 2 Safety

### 2.1 Intended use

CryoCube ULT freezers are designed to provide an ultra-low temperature environment for storing scientific research materials. They allow for storage of samples at ultra-low temperatures of -50 °C to -86 °C and at a maximum ambient temperature of 32 °C.

All country-specific safety requirements for operating electrical equipment in laboratories must be observed.

### 2.2 Warnings for intended use

---



**DANGER! Risk of severe injury from tipping the device over during transport**

If the device tips over and falls on someone, that person sustains fatal injuries.

- ▶ Transport the device with a sufficient number of helpers.
- ▶ Observe the transport instructions in the operating manual.



**DANGER! Risk of severe injury from climbing onto the device**

The device cannot carry the weight of a person. If the device tips over and falls on someone, that person sustains fatal injuries.

The device may become damaged.

- ▶ Do not climb onto the device.
- ▶ Do not pull yourself up on the device or the outer door.



**WARNING! Risk of explosion**

- ▶ Do not operate the device in areas where work with explosive substances is carried out.
- ▶ Do not store explosive or highly reactive substances in the device.
- ▶ Do not use the device to store substances that may generate an explosive atmosphere.
- ▶ Do not store any aerogenic substances in the device, e.g., dry ice.



**WARNING! Lethal voltages inside the device.**

Touching high-voltage parts can cause an electric shock. Electric shocks can cause heart injury and respiratory paralysis.

- ▶ Ensure that the housing is closed and undamaged.
- ▶ Do not remove the housing.
- ▶ Make sure that no liquids enter the device.

Only authorized service staff may open the device.

**WARNING! Electric shock due to damage to the device or unsuitable power cable**

If you touch a damaged or unsuitable mains/power cord, you may experience an electric shock. Electric shocks cause injuries to the heart, respiratory paralysis and burns.

- ▶ If the supplied mains/power cord is defective, replace it with a mains/power cord and a plug of the same type.

**WARNING! Damage to health due to infectious liquids and pathogenic germs.**

- ▶ When handling infectious liquids and pathogenic germs, observe the national regulations, the biosafety level of your laboratory, and the manufacturers' Safety Data Sheets and application notes.
- ▶ Wear your personal protective equipment.
- ▶ For comprehensive regulations about handling germs or biological material of risk group II or higher, please refer to the "Laboratory Biosafety Manual" (source: World Health Organization, Laboratory Biosafety Manual, in the currently valid version).

**CAUTION! Risk of burns from direct contact with cold surfaces.**

The temperature inside the device is low. Direct contact with the interior or samples can cause skin burns.

- ▶ Wear cold protection gloves when loading and unloading the device.

### 2.2.1 Devices with flammable refrigerant

**WARNING! Risk of fire due to escaping flammable refrigerants (R-170 and R-290)**

Refrigerant may leak out if a refrigeration cycle is faulty. The refrigerants R-170 and R-290 are flammable and can form explosive mixtures with the ambient air.

- ▶ Ensure adequate ventilation of the location.
- ▶ Observe the regulations of the owner.
- ▶ Do not allow the device to be maintained or repaired by anyone except authorized service technicians. Components may only be replaced with original spare parts of the same type.

### 2.3 User profile

The device and accessories may only be operated by trained and skilled personnel.

Before using the device, read the operating manual and the instructions for use of the accessories carefully and familiarize yourself with the device's mode of operation.

## 2.4 Personal protective equipment

Personal protective equipment protects your life and your health.

- ▶ Always wear the personal protective equipment required for the biosafety level and by the laboratory regulations.
- ▶ Always wear protective clothing, protective gloves, and safety boots.
- ▶ If additional protective equipment is required, this is indicated above the respective instruction.

## 2.5 Information on product liability

In the following cases, the designated protection of the device may be affected. The liability for any resulting damage or personal injury is then transferred to the owner:

- The device is not used in accordance with the operating manual.
- The device is used outside of its intended use.
- The device is used with accessories or consumables that are not recommended by Eppendorf.
- The device is maintained or repaired by persons not authorized by Eppendorf AG.
- The user makes unauthorized changes to the device.

## 2.6 Maintenance and repairs

Service technicians authorized by Eppendorf AG are appropriately trained and certified by Eppendorf AG.

- ▶ Do not allow the device to be maintained by anyone except service technicians who are authorized by Eppendorf AG.

For more information, please contact your Eppendorf partner or visit [www.eppendorf.com](http://www.eppendorf.com).

- ▶ Do not allow the device to be maintained by anyone except service technicians who are accredited according to the national and local laws and safety regulations. Service technicians must hold valid certificates.

Australia, Queensland: the legal regulations state that service technicians require a valid gas work license for working on the refrigeration cycle.

Eppendorf AG uses high-quality components for the device which are manufactured especially for this purpose. These components ensure the safe function of the device. Eppendorf AG provides original spare parts for the service and repair of the device.

- ▶ Components may only be replaced by original spare parts of the same type.

**Safety**

CryoCube F440n, F440h  
English (EN)

**2.7 Electromagnetic compatibility****2.7.1 Europe**



This is a class A product. In a domestic environment this product may cause radio interference in which case the user may be required to take adequate measures.




**2.7.2 U.S.A.**

Any modification or changes made to this device, unless explicitly approved by Eppendorf, will invalidate the authorization of this device. Operation of an unauthorized device is prohibited under Section 302 of the Communications Act of 1934, as amended, and Subpart I of Part 2 of Chapter 47 of the Code of Federal Regulations.

This equipment has been tested and found to comply with the limits for a Class A digital device, pursuant to Part 15 of the FCC Rules. These limits are designed to provide reasonable protection against harmful interference when the equipment is operated in a commercial environment. This equipment generates, uses, and can radiate radio frequency energy and, if not installed and used in accordance with the operating manual, may cause harmful interference to radio communications. Operation of this equipment in a residential area is likely to cause harmful interference in which case the user will be required to correct the interference at his own expense.


**2.8 Warning symbols on the device**

Warning symbol	Meaning
	Danger from flammable refrigerant R-170.
	Danger from flammable refrigerant R-290.



Warning symbol	Meaning
<p style="text-align: center;">THIS EPPENDORF FREEZER IS FITTED WITH A CASCADE REFRIGERATION SYSTEM. SERVICE AND REPAIRS MUST BE CARRIED OUT BY A REFRIGERATION SPECIALIST APPROVED BY YOUR SUPPLIER. ANY REPAIRS CARRIED OUT BY UNAUTHORISED ENGINEERS COULD CAUSE SERIOUS DAMAGE TO THE SYSTEM AND MAY AFFECT YOUR WARRANTY.</p>	<p>The device may only be serviced and repaired by a qualified refrigeration specialist who has been authorized by Eppendorf AG.</p> <p>If the device is serviced or repaired by an unauthorized person, liability on the part of Eppendorf AG shall cease immediately.</p>
<p style="text-align: center;"><b>ELECTRICAL SAFETY TEST</b></p> <p>DATE/INITIALS <input type="text"/></p> <p>APPL/REF No. <input type="text"/></p> <p>NEXT TEST DATE <input type="text"/></p> <p style="text-align: center;"><b>PASSED</b></p>	<p>The device has passed the electrical safety test.</p>
<p style="text-align: center;"><b>RoHS Compliant</b> Directive 2011/65/EU</p>	<p>The device complies with the "Restriction of Hazardous Substances (RoHS)" directive 2011/65/EU.</p>
<p style="text-align: center;"><b>WARNING</b> <b>THIS EQUIPMENT</b> <b>MUST BE EARTHED</b></p>	<p>Only connect the device to a mains/power connection with PE conductor.</p>
	<p>Notice of a hazard point. Read the operating manual.</p>
	<p>Risk of electric shock. Disconnect the mains/power cord from the voltage supply before removing the cover.</p>
	<p>Risk of electric shock.</p>

**Safety**

CryoCube F440n, F440h  
English (EN)

Warning symbol	Meaning
<div style="border: 1px solid black; padding: 5px;"> <p><b>ICE FORMATION ON SEAL!</b> After prolonged or frequent opening of the freezer, humidity or ice may form on the door seal and the case frame. Ice formation may impair the function of the high-efficiency door seal.</p> <ul style="list-style-type: none"> <li>• Wipe off humidity before closing the door.</li> <li>• Remove ice from the sealing surfaces.</li> </ul> <p><b>VACUUM INSIDE FREEZER!</b> After closing the outer door, a vacuum can occur inside the freezer. The outer door can no longer be opened.</p> <ul style="list-style-type: none"> <li>• To speed up pressure compensation, press the <i>auto vent</i> button.</li> <li>• Wait until pressure compensation has taken place, then operate the handle.</li> </ul> </div> <div style="display: flex; align-items: center; justify-content: center; margin-top: 10px;">  </div>	<p>Notice of a hazard point. Read the operating manual: Risk of crushing when closing the outer door.</p> <p><b>Ice formation on seal</b></p> <p>After prolonged or frequent opening of the freezer, humidity or ice may form on the door seal and the case frame. Ice formation may impair the function of the high-efficiency door seal.</p> <ul style="list-style-type: none"> <li>• Wipe off humidity before closing the door.</li> <li>• Remove ice from the sealing surfaces.</li> </ul> <p><b>Vacuum inside freezer</b></p> <p>After closing the outer door, a vacuum can occur in the freezer. The outer door can no longer be opened.</p> <ul style="list-style-type: none"> <li>• To speed up pressure compensation, press the <i>auto vent</i> button.</li> <li>• Wait until pressure compensation has taken place, then operate the door handle.</li> </ul>

The warning symbols inside the device can only be accessed by authorized service technicians.

Warning symbol	Meaning
	<p>Danger due to flammable materials</p>
	<p>Danger due to flammable gas, class 2</p>

### 3 Product description

#### 3.1 Product overview CryoCube F440n and CryoCube F440h

##### 3.1.1 General view

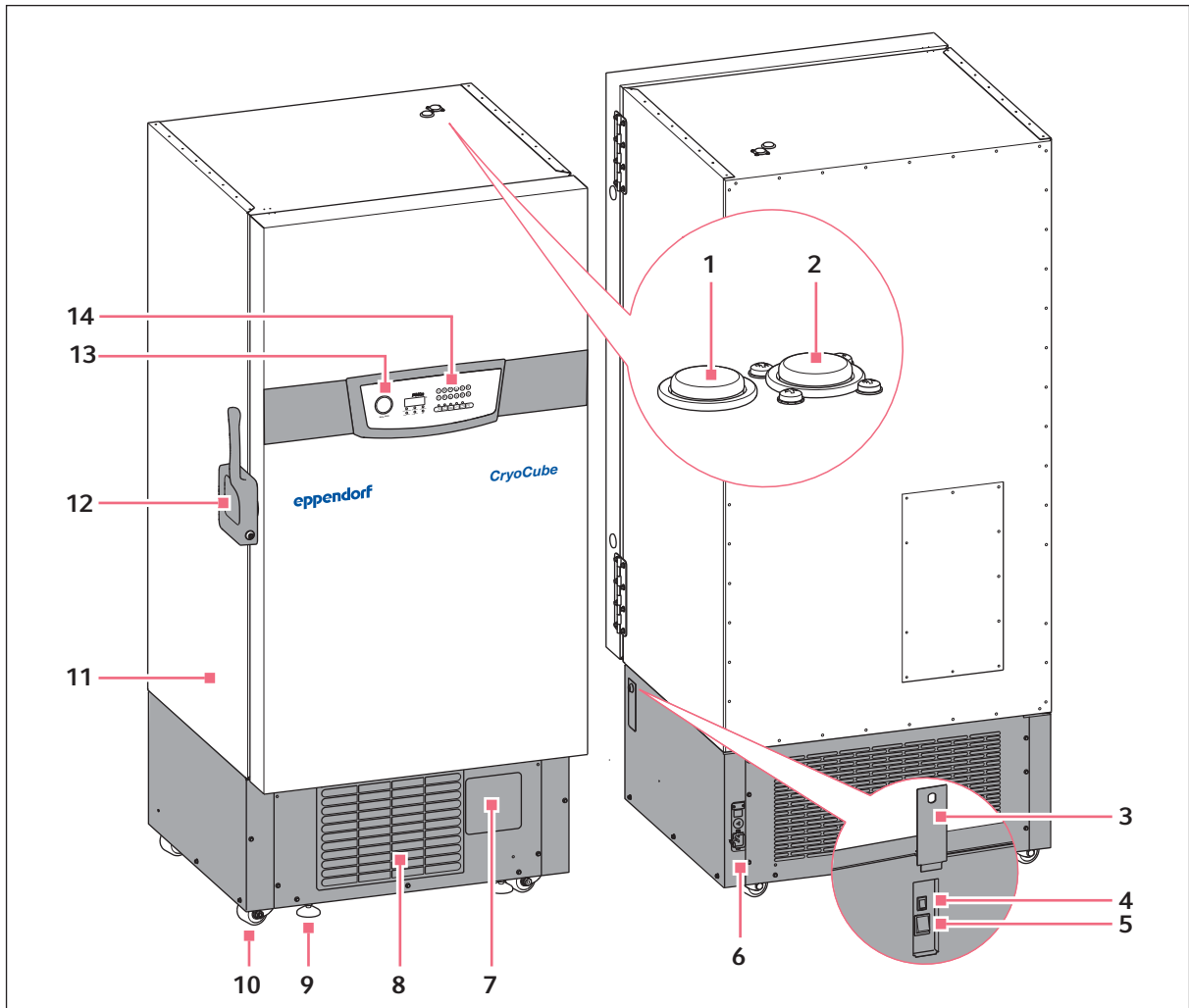


Fig. 3-1: Front and rear side

- 1 Access port**  
For external sensors
- 2 Access port**  
For external sensors or an optional back-up system
- 3 Switch locking plate**  
Lockable plate cover for the mains/power switch and the battery switch
- 4 Battery switch**  
For activating the back-up circuit
- 5 Mains/power switch**  
For switching the device on and off
- 6 Interfaces**
- 7 Space for an optional chart recorder**
- 8 Air filter**
- 9 Leveling foot**
- 10 Heavy-duty castor**
- 11 Name plate**
- 12 Handle with cylinder lock**
- 13 *auto vent* key**  
Automatic pressure compensation
- 14 Operator panel with display**



3.1.2 Interior view

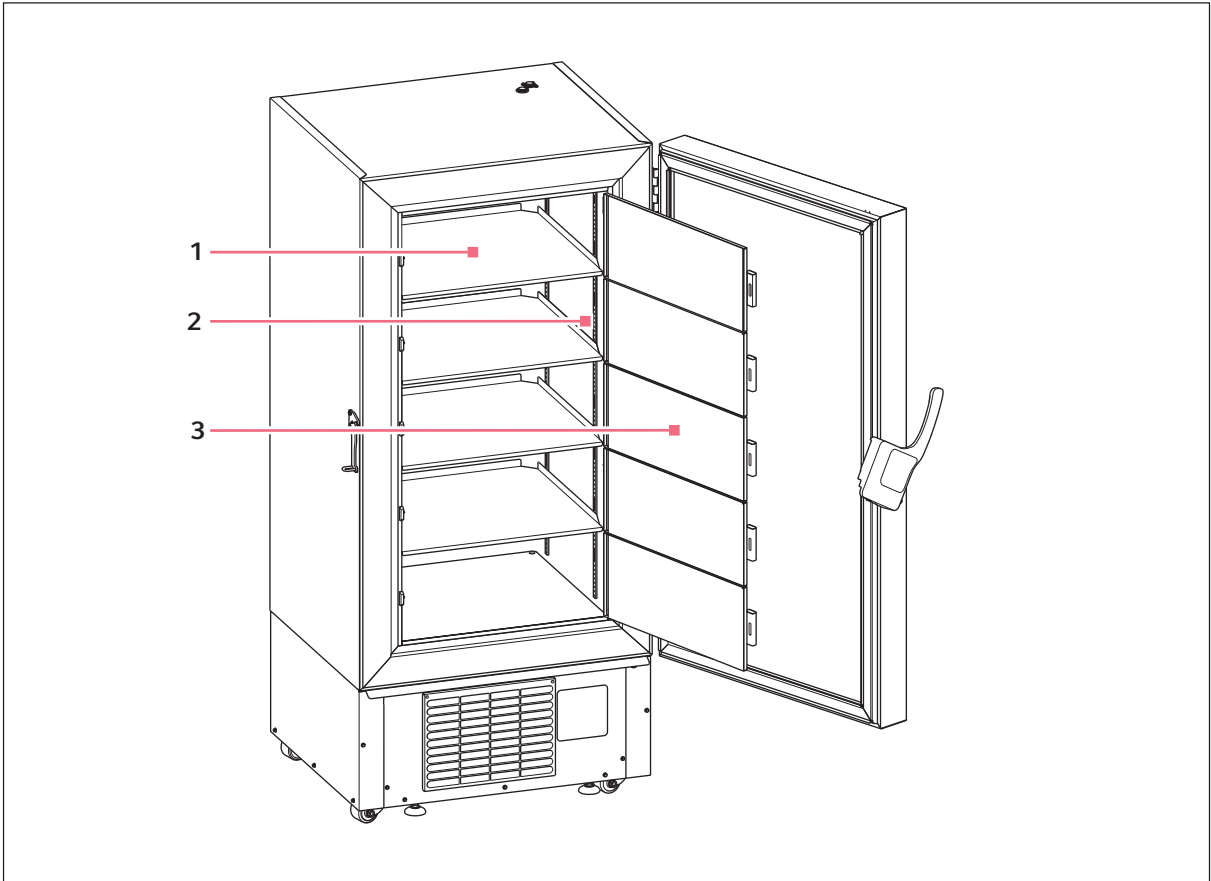


Fig. 3-2: Interior view

1 Shelf

3 Inner door

2 Pilaster column

### 3.1.3 Interfaces

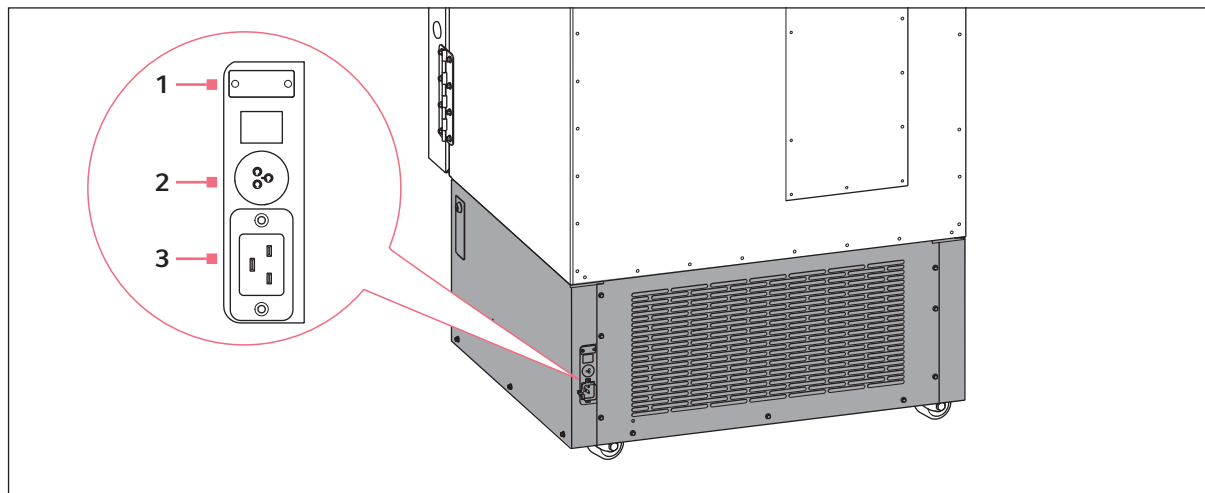


Fig. 3-3: Interfaces

**1 RS-485 serial interface**

Not included in the delivery package  
Connection to the VisioNize box (optional accessories)

**2 BMS remote alarm interface**

Connection to a building management system

**3 Mains/power connection**

Connection for the mains/power cord

Only devices which meet the requirements of the IEC 950/EN 62368-1 (UL 1950) standards may be connected to the interfaces.

### 3.2 Features

The CryoCube is a ULT freezer for storing biological samples.

The device has a two-stage cascade refrigeration system with two closed refrigeration cycles. The refrigeration cycles are air-cooled.

The device is operated using the control panel. The control panel consists of a display, softkeys and indicator lights.

The device communicates with external systems over the interfaces. Alarms and other parameters are transmitted.

The outer door of the device is locked and unlocked via a handle. The handle is equipped with a cylinder lock that can be used to lock the outer door. The outer door of the device can be additionally secured with an optional padlock.

The device features automatic pressure compensation. Automatic pressure compensation occurs as soon as the outer door is closed. Afterwards, the outer door can be opened again. Pressure compensation can also be accelerated via the *auto vent* button.

The device has 5 compartments and 5 inner doors. With the inner doors closed, cold air loss is minimized and ice formation inside the device is reduced.

The device has 4 shelves. The position of the inner shelves can be changed. You can order and mount additional shelves.

The device is equipped with a switch locking plate. The mains/power switch and the battery switch are located behind this lockable cover.

An air filter is located below the outer door. The air filter protects the condenser and the assemblies behind it against contamination and dust.

The device can be moved easily and safely on its 4 heavy-duty castors. Leveling feet ensure the stability and horizontal alignment of the device.

### 3.3 Models

Name	Door handle	Number of compartments	Cooling	Insulation
CryoCube F440n	left	5	Air cooling	Polyurethane foam
CryoCube F440h	left	5	Air cooling	Polyurethane foam and vacuum insulation panels

## 3.4 Alarms

When a safety-relevant situation has been reached, the device triggers an alarm. The user must immediately eliminate the cause of the alarm.

Alarms consist of a signal tone on site, an indicator light on the control panel, an alarm message on the control panel and forwarding of the alarm to a building management system. As soon as the cause of the alarm has been eliminated, all alarm signals will stop.

### Alarm: Interior temperature

- The temperature in the interior exceeds the alarm limit for the maximum or minimum temperature in the interior.
- The alarm is triggered when the delay time has elapsed. The delay time can be defined.
- The signal tone sounds on the device.
- The **temp alarm** indicator light lights up.
- The alarm is forwarded to a building management system.
- The alarm cannot be deactivated.

### Alarm: Mains/power outage

- The mains/power supply to the device is interrupted. The battery back-up circuit is switched on and triggers the alarm.
- The signal tone sounds on the device.
- The **power fail** indicator light lights up.
- The display shows the interior temperature and flashes at intervals of 10 s.
- The alarm is forwarded to a building management system.
- The alarm cannot be deactivated.

### Alarm: Battery

- The battery voltage is too low.
- The **battery-low** indicator light lights up.
- The alarm cannot be deactivated.

### Alarm: System error

- The signal tone sounds on the device.
- The **fault** indicator light lights up.
- The alarm cannot be deactivated.

### Alarm: Clean the air filter

- The air filter has to be cleaned.
- The **filter-clean** indicator light flashes.
- The alarm cannot be deactivated.

## 3.5 Delivery package

Your device has been equipped according to your specifications.

- ▶ Check the exact delivery package based on your delivery note.

## 3.6 Accessories

Optional accessories can be ordered separately. Information regarding accessories is available on our webpage: [www.eppendorf.com](http://www.eppendorf.com).

### 3.6.1 Back-up systems

In the event of a mains/power outage, the battery-powered back-up system will start and cool the interior for a limited period of time. The back-up system is connected through the access port.

The following back-up systems are available:

- CO<sub>2</sub> back-up system for temperatures from -50 °C to -70 °C.
- LN<sub>2</sub> back-up system for temperatures down to -85 °C.

### 3.6.2 Chart recorder

The chart recorder records the interior temperature on a disk over a period of 7 days. The port for connection of the chart recorder is available in the device.

Pens and disks for chart recorders are available.

### 3.6.3 Racks for ULT upright freezers

Racks serve to store and sort samples in boxes, microplates and deepwell plates.

Racks are placed on the inner shelves inside the device. The racks are used to store boxes. Stainless steel racks provide space for 136 mm × 136 mm boxes. Aluminum racks can be used to store boxes up to 133 mm × 133 mm.

Racks are available with drawers or with open sides. The design of the racks ensures an even temperature in the entire rack.

### 3.6.4 Cardboard boxes and box dividers

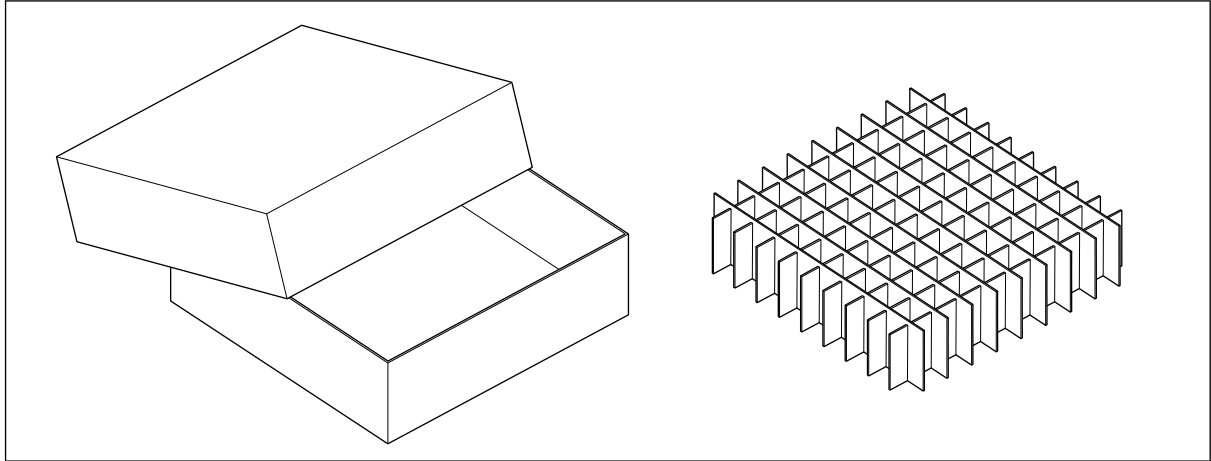


Fig. 3-4: Cardboard box and box divider

Cardboard boxes serve to store samples in tubes at temperatures down to  $-86^{\circ}\text{C}$ . Cardboard boxes have a waterproof coating.

To sort your samples, you can insert box dividers into the cardboard boxes. Eppendorf AG cardboard boxes and box dividers are compatible with each other.

### 3.6.5 Eppendorf Storage Box

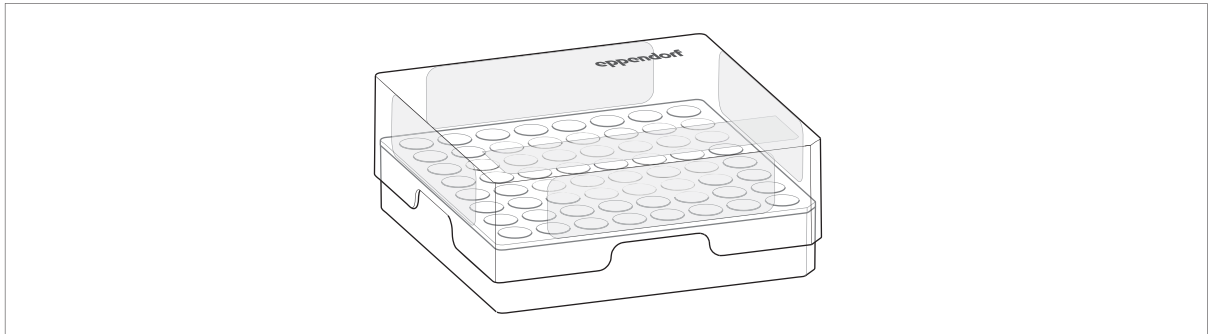


Fig. 3-5: Eppendorf Storage Box

Eppendorf Storage Boxes serve to store samples in tubes at temperatures down to  $-86^{\circ}\text{C}$ .

Eppendorf Storage Boxes are made of polypropylene (PP) and are autoclavable.

### **3.6.6 Shelves**

There are additional shelves available for the device.

### **3.6.7 Temperature sensors**

You can install an additional temperature sensor in the device to check the interior temperature using an external alarm system. The temperature sensor cable can be routed inside the device through the access openings.





## 4 Installation

### 4.1 Selecting the location

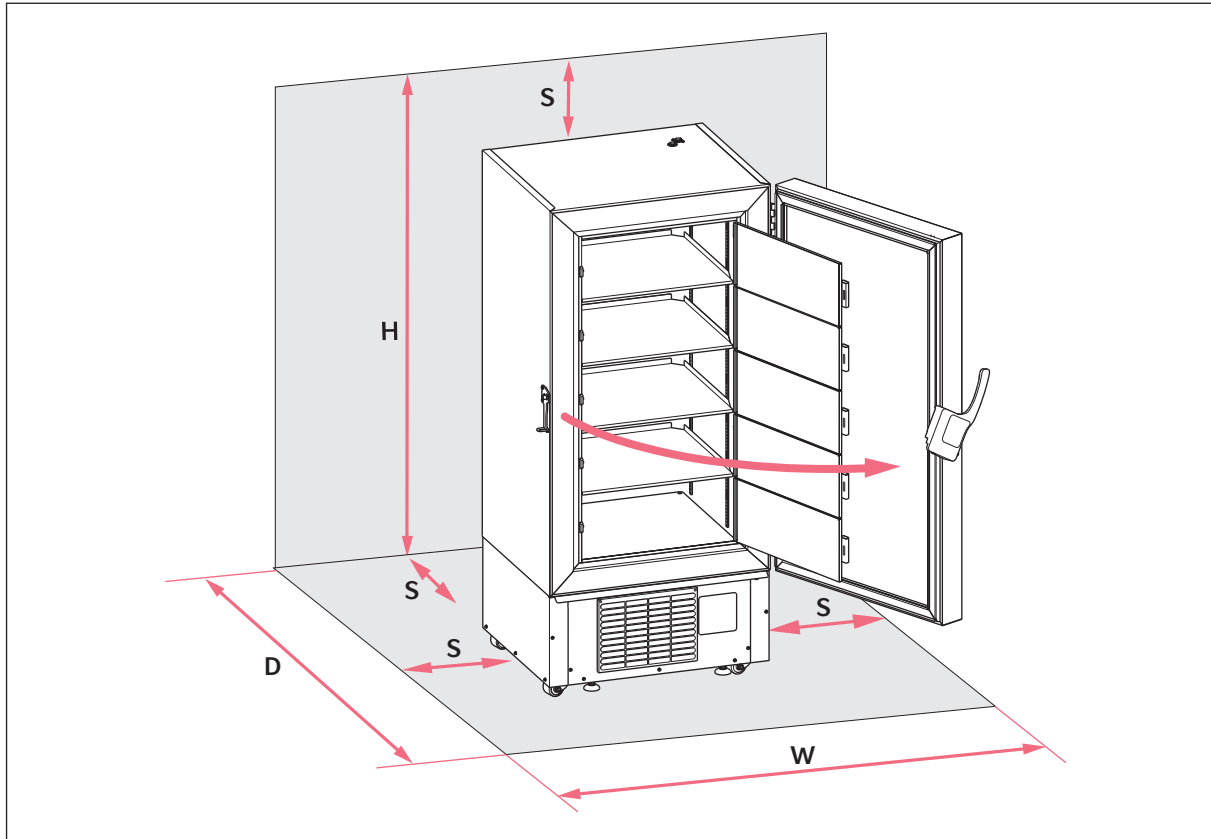


Fig. 4-1: Footprint CryoCube F440n

**D 1834 mm**

**S 150 mm**

**H 2100 mm**

**W 1176 mm**

Information on ambient conditions, dimensions and weights can be found in the technical data.

#### Location in general

- The ambient conditions match the specifications set out in the Technical data chapter.
- The location is well ventilated or air-conditioned.
- The location is not next to heat sources.
- The location is protected against sparks and open fire.
- The floor space corresponds to the technical data.
- The floor is level, vibration-free and designed for the weight of the device.

**Installation**

CryoCube F440n, F440h  
English (EN)

**Electrical connection**

- Mains/power connection in accordance with the name plate
- The mains/power switch of the device and the disconnecting device of the power system circuit (e.g., residual current circuit breaker) are accessible during operation.



Contact your safety officer for information on further requirements when installing the device.

**4.2 Preparing installation****4.2.1 Unpacking the device**

1. Check the packaging for damage.
2. Unpack the device in accordance with the unpacking instructions.

**4.2.2 Checking the delivery**

1. Check the delivery for completeness.
2. Check the device and accessories for transport damage.
3. Do not commission the device if the packing or the device is damaged. Contact Eppendorf AG customer service or your Eppendorf partner.

**4.2.3 Transporting the device to the location**

Personal protective equipment

- Protective clothing, safety shoes

Prerequisites

- The location meets the requirements.

- ▶ Transport the device to the location (see *Transport on p. 55*).

#### 4.2.4 Setting up the device



**CAUTION! Risk of cut injuries due to sharp-edged components**

When aligning the leveling feet, cut injuries can result from sharp-edged components on the bottom of the device.

- ▶ Wear protective gloves when setting up the device.

Personal protective equipment

- Protective clothing, protective gloves, safety shoes

Prerequisites

- The device is in its intended position.

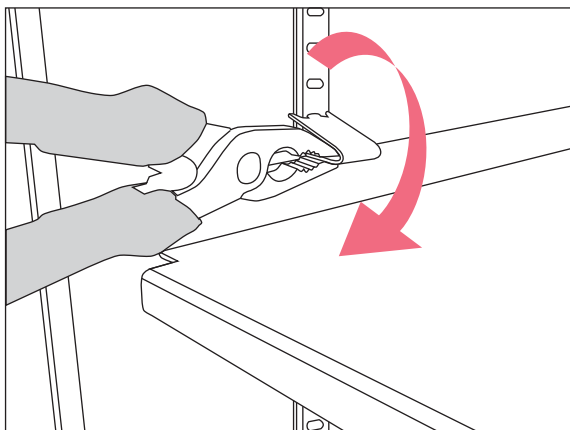
1. Attach anti-slipping pads to the underside of the leveling feet.
2. Rotate the leveling feet down.
3. Remove the transport protections on the outside and inside of the device.

#### 4.3 Removing the transport clips from the inner shelves

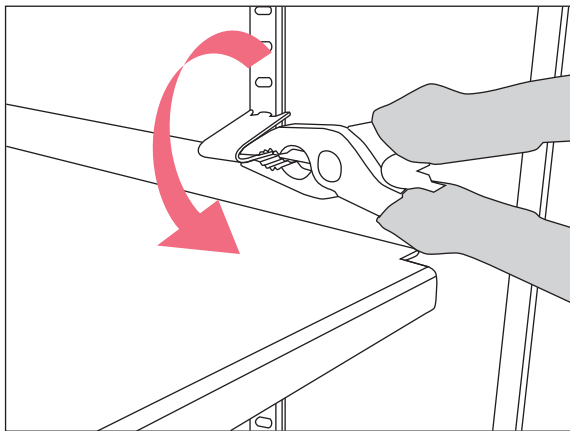
The device is supplied with the inner shelves installed. The inner shelves are secured for transport with transport clips. Each inner shelf is secured with 2 transport clips.

Tools and auxiliary equipment

- Pliers



1. Use pliers to hold the lower part of the assembly clip.
2. Carefully turn the pliers clockwise for removing the assembly clips on the left side.



3. Carefully turn the pliers counter-clockwise for removing the assembly clips on the right side.
4. Take off the assembly clip.

#### 4.4 Changing a shelf position

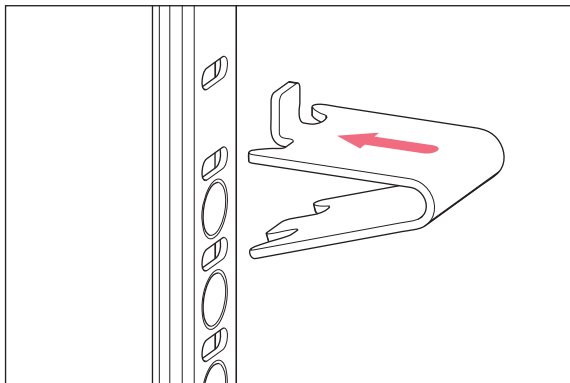


**CAUTION! Risk of burns from direct contact with cold surfaces.**

The temperature inside the device is low. Direct contact with the interior or samples can cause skin burns.

- ▶ Wear cold protection gloves when loading and unloading the device.

You can change the position of the shelves. You can mount additional shelves.



1. Insert the upper part of the shelf clip into the bore above.
2. Insert the bracket of the shelf clip into the bore of the pilaster rail.
3. You need 4 shelf clips to safely mount a shelf. Mount one shelf clip in each pilaster rail.
4. Place the shelf on the shelf clips.

Fig. 4-2: Pilaster rail and shelf clip

## 4.5 Connecting the device to the voltage supply



### WARNING! Danger due to incorrect voltage supply.

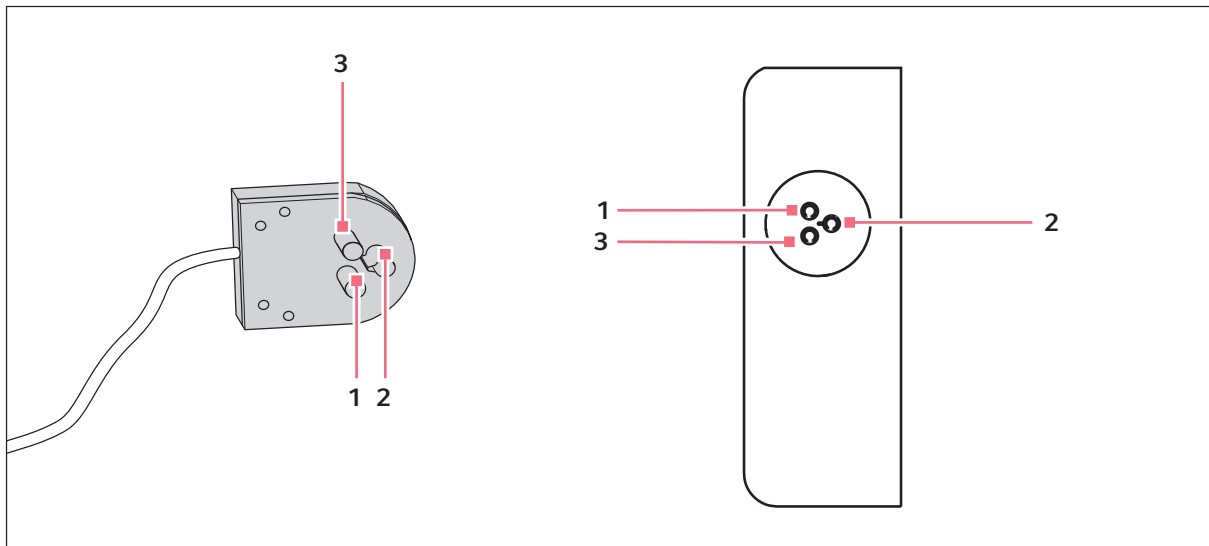
- ▶ Only connect the device to voltage sources which correspond with the electrical requirements specified on the name plate.
- ▶ Only use earth/grounded sockets with a protective earth conductor.
- ▶ Only use the mains/power cord supplied.

### Prerequisites

- Mains/power connection in accordance with the name plate
1. If several mains/power cords are included, select the mains/power cord according to the mains/power supply voltage.
  2. Connect the mains/power cord at the rear of the device.
  3. Fasten the safety clamp.  
If the device is moved, the mains/power cord cannot be pulled out of the device.

## 4.6 Connecting the device to external systems

### 4.6.1 Remote alarm interface



1 Pin 1 on socket 1

3 Pin 3 on socket 3

2 Pin 2 on socket 2

You can connect the device to a building management system via the remote alarm interface.

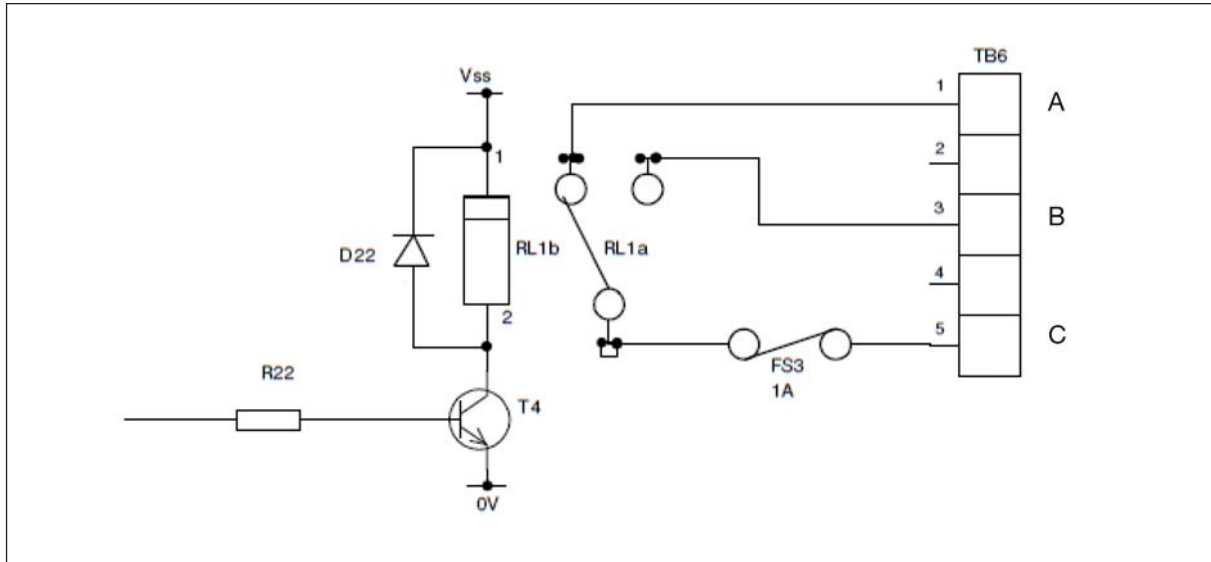
## Installation

CryoCube F440n, F440h  
English (EN)

The following alarms are forwarded to the building management system:

- Mains/power outage
- Interior temperature too high or too low

The plug is included in the delivery package. Connections must have double or reinforced insulation as described in DIN EN 61010-1.



**A** Fault when closed

**C** Fault common

**B** Fault when open

Switching state	Pin assignment	
No alarm	Pin 1 is electrically connected with Pin 2	Pin 3 is not connected
Alarm	Pin 1 is electrically connected with Pin 3	Pin 2 is not connected

### 4.6.2 RS-485 interface

The RS-485 interface is not included in the delivery package. It can be retrofitted for optional connection to the VisioNize box. If you have any questions, contact your local Eppendorf partner.

## 4.7 Switching on the device



### **WARNING! Electric shock due to damage to the device or the mains/power cord.**

- ▶ Only switch on the device if the device and the mains/power cord are undamaged.
- ▶ Only operate devices which have been installed or repaired properly.
- ▶ In the event of danger, disconnect the device from the mains/power supply voltage. Disconnect the mains/power plug from the device or the earth/grounded socket. Use the isolating device intended for this purpose (e.g., the emergency switch in the laboratory).



### **NOTICE! Damage to electronic components due to condensation.**

Condensate may form in the device when it has been transported from a cool environment to a warmer environment.

- ▶ After installing the device, wait for at least 6 h. Only then connect the device to the mains/power line.



### **NOTICE! Improper door sealing due to ice**

Humidity inside the device causes ice formation. Ice causes damage to the seals of the inner and outer doors.

1. Dry the device completely, especially all seals.
2. Switch on the device afterwards.

### 4.7.1 Enabling the back-up circuit

The back-up circuit is battery-powered. In the event of a mains/power outage, the battery will supply power to the control panel and the alarm for 72 hours.

Tools and auxiliary equipment

- Key for the switch locking plate

Prerequisites

- The device has been installed and connected according to the operating manual.
- The device has been acclimatized for at least 6 h.

1. Unlock the switch locking plate and remove the cover.
2. Switch on the battery switch.

The back-up circuit is activated.

- An alarm is triggered in the event of a mains/power outage.
- In the event of a mains/power outage, power will still be supplied to the control panel.
- The software settings are saved in the event of a mains/power outage.
- The battery is charged with mains power. The battery is fully charged after approx. 24 hours.

3. Fit the cover and lock it.

**Installation**

CryoCube F440n, F440h  
English (EN)

**4.7.2 Switching the device on at the mains/power switch**

Tools and auxiliary equipment

- Key for the switch locking plate

Prerequisites

- The device has been installed and connected according to the operating manual.
- The device has been acclimatized for at least 6 h.
- The interior, seals and doors are dry.

1. Unlock the switch locking plate and remove the cover.
2. Switch on the mains/power switch.
  - The display shows the software version number. If the software version number is not displayed, press and hold the E softkey.
  - The compressor starts running after a short time delay.
3. Fit the cover and lock it.

**4.8 Basic device settings**

For the initial operation of the device, set the following values.

1. Set the interior set temperature (see p. 42).
2. Set the alarm limits (see p. 43).
3. Set a delay time for the alarm (see p. 44).
4. To regulate and document access to the device, you can enable the user management (see p. 40).



## 5 Operation

### 5.1 Opening the outer door

#### 5.1.1 Opening the outer door



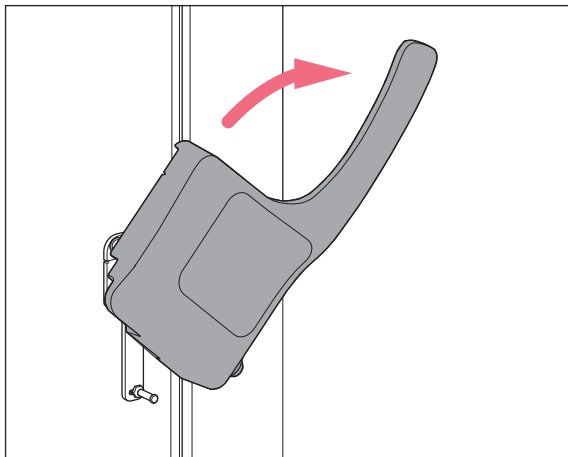
#### **CAUTION! Hand injuries**

There are moving parts on the inside of the door handle.

- ▶ Do not touch the inside of the door handle.

#### Prerequisites

- Pressure compensation has finished.



1. Unlock and remove the padlock, where applicable.
2. Unlock the cylinder lock, where applicable. To do so, insert the key into the cylinder lock, press it lightly and turn it.
3. Pull the door handle forward and down until it stops.
4. To open the outer door, pull the door handle towards you.

## 5.2 Loading the device



### **CAUTION! Risk of head injury due to open inner door**

If the upper inner doors are opened you can hit your head on the inner doors.

- ▶ Only open one inner door at a time.
- ▶ Immediately close the inner door after completing your work.



### **NOTICE! Longer pull-down time because the device is loaded too early**

The pull-down time is the time needed for the device to cool the interior from the ambient temperature to the set temperature.

If you load the device during the cooling phase, the pull-down time will be longer. The pull-down time specified in the technical data cannot be achieved.

1. Allow the device to cool down from ambient temperature to the set temperature.
2. Place the samples in the device after the device has reached the set temperature.



The interior temperature of the device increases when loading it:

- Outer and inner doors are open.
- The sample temperature differs from the interior temperature.

- ▶ To minimize the temperature increase in the interior, load the device step by step.

### Prerequisites

- Racks and accessories have been placed in the compartments.
- Device, racks and accessories have reached the set temperature.

1. Open the outer door.
2. Open the inner door of the compartment in which you want to place the samples.
3. Place the samples in the device.

Information on the maximum carrying capacity of the inner shelves can be found in the technical data.

4. Close the inner door.
5. Close the outer door.

## 5.3 Locking the outer door

### 5.3.1 Locking the outer door



**CAUTION! Risk of hand being crushed when closing the outer door**

- ▶ Do not place your fingers between the device and the outer door.
- ▶ Lock the door handle slowly and carefully.



**CAUTION! Risk of fingers being crushed when closing the inner doors.**

Incorrect handling of the inner doors can cause crushing injuries.

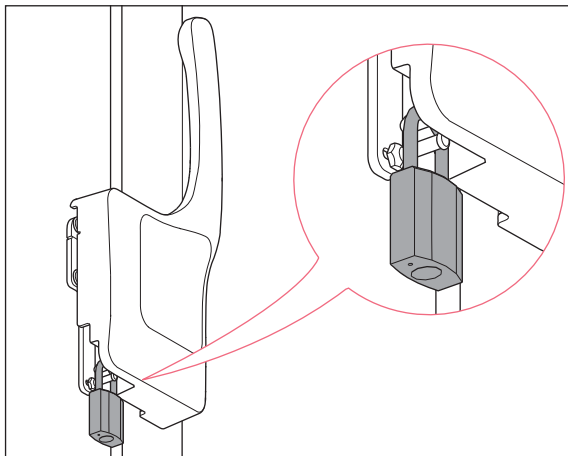
- ▶ Only grasp the inner doors by the handle.
- ▶ Always open only one inner door.



**NOTICE! Damage to the door handle due to incorrect closing of the outer door.**

Closing the outer door while the door handle is in the upright position damages the door handle.

1. Pull the door handle forward and down first.
2. Then close the outer door.



1. Close the outer door.
2. Lock the outer door. To do so, press the door handle up.  
Automatic pressure compensation takes place as soon as the outer door is closed.
3. Check if the door handle is fully engaged in locked position.
4. Lock the cylinder lock, where applicable. To do so, insert the key into the cylinder lock, press it lightly and turn it
5. Mount the padlock and lock it, where applicable.



If the door handle is not properly engaged and there is negative pressure in the interior, the outer door seems to be closed. As soon as the negative pressure is balanced by pressure compensation, the outer door can open unintentionally by itself. In order to avoid this, the door handle must be fully engaged in closed position.

## 5.4 Pressure compensation

If you leave the outer door open for a while, the temperature in the interior will increase. After closing the outer door, the air in the interior will cool down and the atmospheric pressure will decrease. Negative pressure may occur in the device. If negative pressure occurs, the outer door can no longer be opened.

Pressure compensation takes place automatically to reestablish ambient pressure in the device. Pressure compensation starts as soon as the outer door is closed.

- ▶ To speed up pressure compensation, press the *auto vent* key.  
When pressing the *auto vent* key, pressure compensation takes 1 to 2 minutes.

## 5.5 Switching off the device



**WARNING! Electric shock due to damage to the device or the mains/power cord.**

- ▶ Only switch on the device if the device and the mains/power cord are undamaged.
  - ▶ Only operate devices which have been installed or repaired properly.
  - ▶ In the event of danger, disconnect the device from the mains/power supply voltage. Disconnect the mains/power plug from the device or the earth/grounded socket. Use the isolating device intended for this purpose (e.g., the emergency switch in the laboratory).
- 

### 5.5.1 Deactivating the battery back-up circuit

Tools and auxiliary equipment

- Key for the switch locking plate

1. Unlock the switch locking plate and remove the cover.
2. Switch off the battery switch.

The battery back-up circuit is disabled.

- No alarm is triggered in the event of a mains/power outage.
- During a mains/power outage, there will be no power supply to the control panel.
- The battery is not charged.

## 5.5.2 Disconnecting the device from the voltage supply

Tools and auxiliary equipment

- Key for the switch locking plate

1. Unlock the switch locking plate and remove the cover.
2. Switch off the battery switch.

The battery back-up circuit is disabled.

- No alarm is triggered in the event of a mains/power outage.
  - During a mains/power outage, there will be no power supply to the control panel.
  - The battery is not charged.
3. Switch off the mains/power switch.
  4. Pull the mains/power plug out of the earth/grounded socket.



## 6 Software

### 6.1 Overview of the control panel

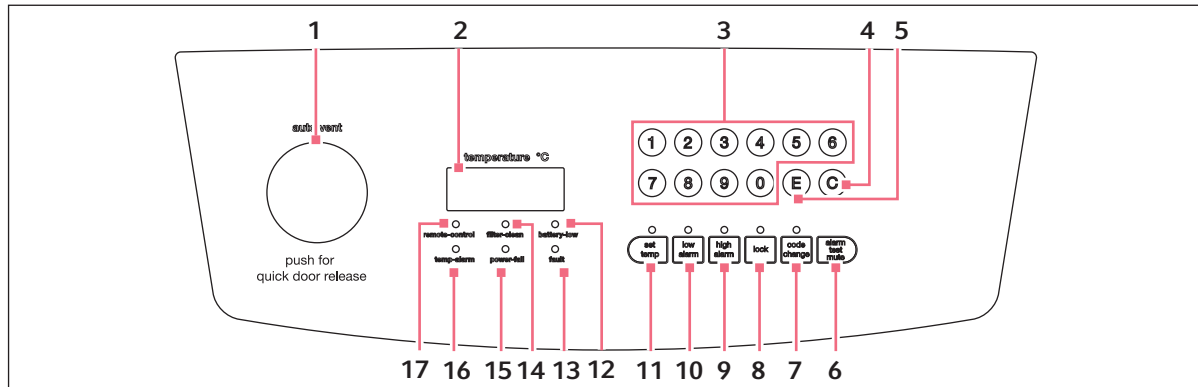


Fig. 6-1: Control panel

- |  |   |
|--|---|
| <p><b>1 auto vent key</b><br/>Automatic pressure compensation</p> <p><b>2 Display</b><br/>During operation the display shows the actual temperature in the interior.</p> <p><b>3 Numerical keys</b><br/>Access functions. Enter values.</p> <p><b>4 C key</b><br/>Delete entry.</p> <p><b>5 E key</b><br/>Confirm the entry.<br/>In addition: Display the software version number.</p> <p><b>6 alarm test mute softkey</b><br/>Deactivate the signal tone. Test the signal tone.</p> <p><b>7 code change softkey</b><br/>Change the lock code.</p> <p><b>8 lock softkey</b><br/>Lock or unlock the control panel</p> <p><b>9 high alarm softkey</b><br/>Display and adjust the alarm limit for the maximum interior temperature.</p> | <p><b>10 low alarm softkey</b><br/>Display and adjust the alarm limit for the minimum interior temperature.</p> <p><b>11 set temp softkey</b><br/>Display and adjust the set interior temperature.</p> <p><b>12 battery-low indicator light</b><br/>Lights up or flashes if the voltage in the back-up circuit is too low.<br/>Lights up if no mains/power supply voltage is available.</p> <p><b>13 fault indicator light</b><br/>Lights up when a system error has occurred.</p> <p><b>14 filter clean indicator light</b><br/>Lights up if the air filter needs to be cleaned.</p> <p><b>15 power fail indicator light</b><br/>Flashes if no mains/power supply voltage is supplied to the device.<br/>The signal tone sounds while the indicator light is flashing.</p> <p><b>16 temp alarm indicator light</b><br/>Lights up if an alarm limit for the interior temperature has been exceeded.</p> <p><b>17 remote control indicator light</b><br/>Lights up if the device is controlled by means of a computer.</p> |
|--|---|

## 6.2 Checking parameters

### 6.2.1 Displaying the set temperature for the interior of the device

- ▶ Press the **set temp** softkey.

The set temperature for the interior of the device is displayed.

The factory setting is -80 °C.

### 6.2.2 Displaying the alarm limits for the interior temperature

- ▶ To display the alarm limit for the maximum interior temperature, press the **high alarm** softkey.
- ▶ To display the alarm limit for the minimum interior temperature, press the **low alarm** softkey.

The display shows the alarm limit.

### 6.2.3 Displaying the alarm delay time

- ▶ To display the delay time for the on-site alarm, press the **8** softkey.
- ▶ To display the delay time for the remote alarm, press the **9** softkey.

The delay time is displayed.

## 6.3 Working with a lock code

To prevent unauthorized programming of the device, you can use a four-digit lock code.

### 6.3.1 Unlocking and locking the device

#### Unlocking the device

Prerequisites

- The lock code is activated.

1. Press the **lock** softkey.

If the **lock** indicator light flashes, a lock code has been set.

2. Enter the lock code.

The actual temperature is displayed.

The **lock** indicator light glows. The device is in programming mode. The parameters can be changed.



## Locking the device

### Prerequisites

- The lock code is activated.

3. After programming is completed, press the **lock** softkey.

The **lock** indicator light goes out. The device is no longer in programming mode. The parameters are saved.



If you press a softkey, e.g., **set temp**, while the **lock** indicator light is flashing, ---- appears on the display. The control panel is locked.

### 6.3.2 Activating and changing the lock code



#### **NOTICE! No software access due to lost lock code**

If you lose the lock code, reprogramming of the device will no longer be possible. The lock code will have to be reset by an authorized service technician.

- ▶ Keep the lock code in a safe place.

In the factory setting, the lock code is deactivated. To activate or change the lock code, proceed as follows.

1. Press the **lock** softkey.
2. When the **lock** indicator light flashes, enter the lock code.  
The **lock** indicator light glows. The device is in programming mode. The parameters can be changed.
3. Press the **code change** softkey.  
The **code change** indicator light flashes. The display is empty.
4. Enter a lock code using the numerical keys.  
The lock code is displayed.
5. Check the lock code on the display.
6. To delete the entry, press softkey **C**.
7. Confirm the entry. To do so, press softkey **E**.  
The **code change** indicator light goes out.  
The new lock code is active.
8. Exit programming mode. To do so, press the **lock** softkey.  
The **lock** indicator light goes out. The device is no longer in programming mode. The parameters are saved.

### 6.3.3 Deactivating the lock code

To deactivate the lock code, set it to **0000**.

1. Press the **lock** softkey.  
The **lock** indicator light flashes.
2. Enter the current lock code.  
The actual temperature is displayed.  
The **lock** indicator light glows. The device is in programming mode. The parameters can be changed.
3. Press the **code change** softkey.  
The **code change** indicator light flashes. The display is empty.
4. Enter the lock code **0000** using the numerical keys.  
Entering the lock code **0000** will deactivate the lock code.  
The lock code *0000* is displayed.
5. Check the lock code on the display.
6. To delete the entry, press softkey **C**.
7. Confirm the entry. To do so, press softkey **E**.  
The **code change** indicator light goes out.  
The new lock code is deactivated.
8. Exit programming mode. To do so, press the **lock** softkey.  
The **lock** indicator light goes out. The device is no longer in programming mode. The parameters are saved.

## 6.4 Programming parameters

### 6.4.1 Setting the set temperature value for the interior

You can set the set temperature for the interior of the device to a range from -50 °C to -86 °C.

Prerequisites

- The device is not protected by a lock code.

1. Press the **lock** softkey.  
The **lock** indicator light lights up. The device is in programming mode. The parameters can be changed.
2. Press the **set temp** softkey.  
The **set temp** indicator light flashes. *0* is displayed.
3. Enter the set temperature with the numerical keys.  
The set temperature is displayed. The set temperature is automatically displayed as a negative value.
4. To delete the entry, press the **C** softkey.
5. Confirm the entry. To do so, press the **E** softkey.  
The **set temp** indicator light goes out.
6. Exit programming mode. To do so, press the **lock** softkey.  
The **lock** indicator light goes out. The parameters are saved.

## 6.4.2 Setting an offset for the set temperature in the interior

You can set an offset between 0 °C and -5 °C for the set temperature value in the interior. The offset is added to the set temperature. The device temperature cannot fall below -86 °C.

### Prerequisites

- The device is not protected by a lock code.

1. Press the **lock** softkey.

The **lock** indicator light lights up. The device is in programming mode. The parameters can be changed.

2. Press the **C** softkey.

3. Enter the offset using the numerical keys.

The offset is displayed.

To deactivate the offset, enter the value 0.

4. To delete the entry, press the **C** softkey.

5. Confirm the entry. To do so, press the **E** softkey.

6. Exit programming mode. To do so, press the **lock** softkey.

The **lock** indicator light goes out. The parameters are saved.

## 6.4.3 Setting alarm limits

You can set alarm limits for the interior temperature. If the interior temperature exceeds an alarm limit, an alarm will be triggered.

	Minimum value	Maximum value
Alarm limit for the minimum temperature in the interior	-91 °C	5 °C below the set temperature
Alarm limit for the maximum temperature in the interior	5 °C above the set temperature	-10 °C

### Prerequisites

- The device is not protected by a lock code.

1. Press the **lock** softkey.

The **lock** indicator light lights up. The device is in programming mode. The parameters can be changed.

2. To set the alarm limit for the maximum interior temperature, press the **high alarm** softkey.

The **high alarm** indicator light flashes. The display shows 0.

3. To set the alarm limit for the minimum interior temperature, press the **low alarm** softkey.

The **low alarm** indicator light flashes. 0 is displayed.

4. Enter the alarm limit using the numerical keys.

The display shows the alarm limit.

5. To delete the entry, press the **C** softkey.

**Software**

CryoCube F440n, F440h  
English (EN)

6. Confirm the entry. To do so, press the **E** softkey.  
The **high alarm** indicator light goes out.
7. Exit programming mode. To do so, press the **lock** softkey.  
The **lock** indicator light goes out. The parameters are saved.

**6.4.4 Setting an alarm delay time**

You can set a delay time for the "Interior temperature too high" and "Interior temperature too low" alarms. The delay time can be set for the on-site alarm and the remote alarm.

	Minimum value	Maximum value	Factory setting
On-site alarm	0 min	40 min	30 min
Remote alarm	0 min	40 min	30 min

If you set the delay time to 0 min, the delay time will automatically be set to 15 s.

**Prerequisites**

- The device is not protected by a lock code.

1. Press the **lock** softkey.  
The **lock** indicator light lights up. The device is in programming mode. The parameters can be changed.
2. To set the delay for the on-site alarm, press the **8** softkey.
3. To set the delay for the remote alarm, press the **9** softkey.  
The *PP* value is displayed.
4. Enter the delay time using the numerical keys.  
The delay time is displayed.
5. To delete the entry, press the **C** softkey.
6. Confirm the entry. To do so, press the **E** softkey.  
--- is displayed. The value is saved.
7. If the entered value is outside the thresholds, the message *EE* is displayed. Repeat the entry.
8. Exit programming mode. To do so, press the **lock** softkey.  
The **lock** indicator light goes out. The parameters are saved.

## 7 Maintenance

### 7.1 Service options

Eppendorf recommends having your device checked and maintained by trained specialist personnel at regular intervals.

Eppendorf offers you tailor-made service solutions for the preventive maintenance, qualification and calibration of your device. For information, offers and contact options, please visit [www.eppendorf.com/epservices](http://www.eppendorf.com/epservices).

### 7.2 Service schedule

Service	Service cycle
Defrost the device.	As required
Clean the interior and exterior of the device.	As required
Clean the seals.	Once a month
Clean the air filter and the air intake grille.	Every 3 months under normal ambient conditions. Clean more frequently if the surroundings are very dusty or dirty.

### 7.3 Defrosting the device



**CAUTION! Risk of slipping due to melt water**

Puddles may form on the laboratory floor when defrosting the device.

- ▶ Wipe up melt water immediately.



**NOTICE! Risk of device damage due to scraping off ice**

Removing ice with a sharp object may damage the device.

- ▶ Wait until the ice has thawed by itself.



**NOTICE! Improper door sealing due to ice**

Humidity inside the device causes ice formation. Ice causes damage to the seals of the inner and outer doors.

1. Dry the device completely, especially all seals.
2. Switch on the device afterwards.

#### Tools and auxiliary equipment

- Personal protective equipment: Cold protection gloves, protective goggles, dust protection mask
- Material for absorbing the melted water
- "Defrosting device" notice sign

#### Prerequisites

- The samples have been transferred to another ULT freezer.
  - The device is switched off and disconnected from the mains/power line (see p. 36).
1. Put up the notice sign.
  2. Open the outer and inner doors.
  3. Wait until the ice has thawed.
  4. Wipe up the melted water.
  5. Dry the device completely, especially all seals.

## 7.4 Cleaning and decontamination

---



### **DANGER! Electric shock.**

- ▶ Switch off the device and disconnect the mains/power plug before commencing any service or cleaning procedures.
- 



### **NOTICE! Damage due to aggressive chemicals.**

- ▶ Do not use any aggressive chemicals on the device or its accessories, such as strong and weak bases, strong acids, acetone, formaldehyde, halogenated hydrocarbons or phenol.
  - ▶ If the device has been contaminated by aggressive chemicals, clean it immediately using a mild cleaning agent.
- 

### 7.4.1 Cleaning the device

#### Tools and auxiliary equipment

- Water
- Mild cleaning agent
- Soft, lint-free cloth

#### Prerequisites

- For cleaning the interior: The device is switched off and disconnected from the mains/power line.
  - The device is defrosted.
1. Moisten the lint-free cloth with water and cleaning agent.
  2. Clean the surfaces.

## 7.4.2 Cleaning and decontaminating the control panel

Tools and auxiliary equipment

- Laboratory cleaner
- Lint-free cloth
- Decontamination agent: 70 % ethanol, 1% sodium hypochlorite solution, Dismozon pur, Hexaquart S, Biozid ZF or a decontamination agent made of 70 % isopropyl alcohol and 30 % distilled water

1. To lock the control panel, press the **lock** softkey.
2. Moisten the lint-free cloth with laboratory cleaner or disinfectant.
3. Wipe the control panel with the cloth.
4. Unlock the locked control panel.

## 7.4.3 Removing the inner door

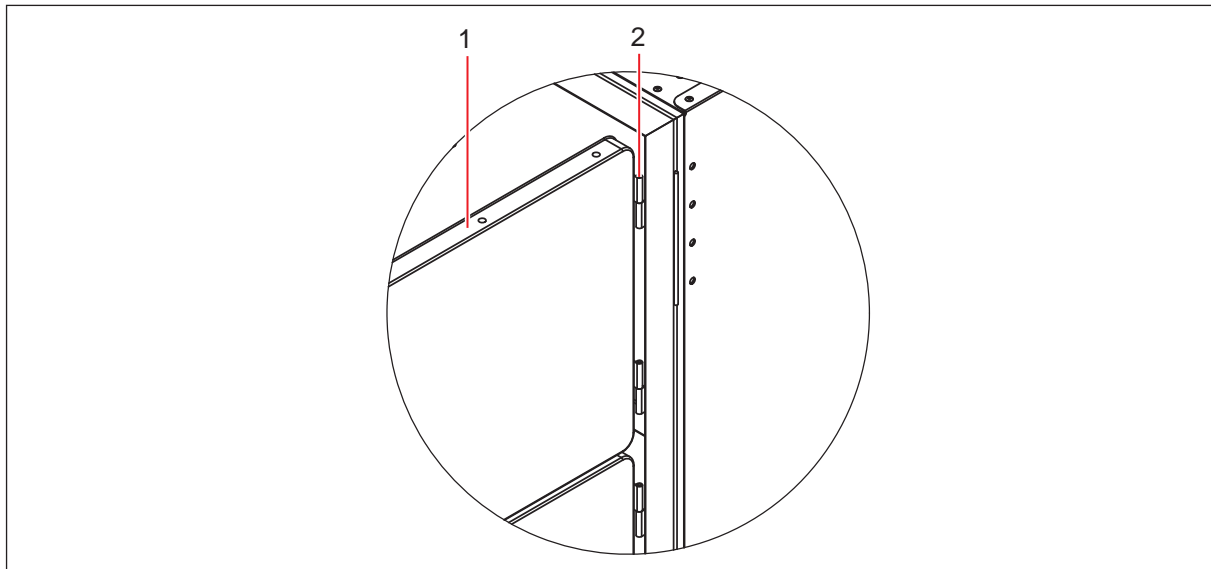


Fig. 7-1: Lifting out the inner door

### 1 Inner door

### 2 Lift-off hinge

1. Fully open the outer door of the freezer.
2. Fully open the inner door.
3. Lift the inner door out of the hinges and carefully set it aside.
4. Clean the inner door.

#### 7.4.4 Installing the inner door again

1. Fully open the outer door of the freezer.
2. Fit the inner door on the hinge pins and close it.
3. Check that the inner door seal sits firmly around the edge of the freezer.
4. Close the outer door.

#### 7.4.5 Cleaning the seals

Tools and auxiliary equipment

- Dry soft lint-free cloth

1. Wipe the seal with a soft, lint-free cloth.
2. Wipe the contact surface for the seal with a soft, lint-free cloth.

#### 7.4.6 Cleaning the air filter and the air intake grille



##### **WARNING! Risk of burns and electric shock**

When the air intake grille is disassembled, access to the refrigeration system is no longer secured. Parts of the refrigeration system are live and become very hot. Electric shock and burns may occur.

- ▶ Do not reach through the opening.



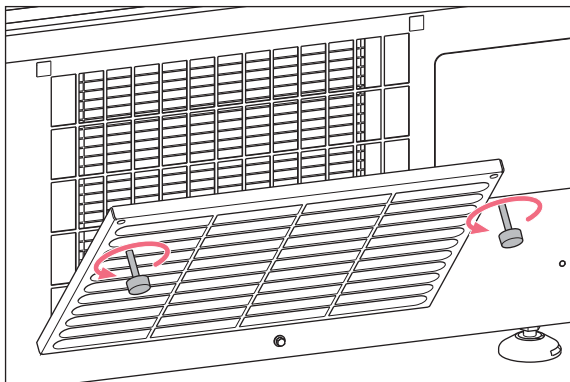
##### **NOTICE! Refrigeration failure due to blocked air filter**

If the air filter is blocked, the refrigerant will not be liquefied. This will damage the compressor.

- ▶ Regularly check that the air flow into the device is not obstructed.

Tools and auxiliary equipment

- Vacuum cleaner
- Warm water



1. Loosen the rotary knobs on the air intake grille. The air intake grille folds down.
2. Remove the air intake grille.
3. Clean the air intake grille with a vacuum cleaner or alternatively with a soft brush.
4. Remove the coarse dirt from the air filter by vacuuming or tapping it.
5. Clean the air filter with warm water.
6. Let the air filter dry.
7. Insert the air filter.
8. Insert the air intake grille and fold it upwards. Tighten the rotary knobs.



### 7.4.7 Decontaminating the interior

The interior is made of stainless steel.

Tools and auxiliary equipment

- Decontamination agent consisting of 70 % isopropyl alcohol and 30 % distilled water
- Soft, lint-free cloth

Prerequisites

- The device is switched off and disconnected from the mains/power line.
- The device is defrosted.

1. Moisten the lint-free cloth with decontamination agent.
2. Clean the surfaces using the lint-free cloth.  
The surfaces are dampened with a decontamination agent.
3. Allow the decontamination agent to take effect.
4. Wipe off the decontamination agent with deionized water.
5. Allow the surfaces to dry.

## 7.5 Fuses

Fuses may only be replaced by authorized service technicians. Users must not replace the fuses.

## 7.6 Checking the alarm

### 7.6.1 Checking indicator lights and the signal tone

- ▶ Press the **alarm test/mute** softkey.

As long as the **alarm test/mute** softkey is pressed, all indicator lights are lit. The signal tone sounds.  
The display shows 8888.

### 7.6.2 Checking the alarm in the case of a mains/power outage

Prerequisites

- The back-up circuit is activated.

- ▶ Switch off the device using the mains/power switch.

The **power fail** indicator light lights up.

The display shows the interior temperature and flashes at intervals of 10 s.

The signal tone sounds on the device.

If the device is connected to a building management system via the remote alarm interface, the alarm is forwarded to the building management system.

## **7.7 Safety checklist**

1. Fill in the safety checklist prior to repair or service of the device.
2. Hand a copy of the safety checklist to the authorized service technician.



1. Freezer contents Yes No  
Risk of infection Yes No  
Risk of toxicity Yes No  
Risk from radioactive sources Yes No

(List all potentially hazardous materials that have been stored in this unit.)  
Notes:

2. Contamination of the unit:  
Unit interior Yes No  
No contamination Yes No  
Decontaminated Yes No  
Contaminated Yes No  
Others

3. Instructions for safe repair/maintenance of the unit:  
a) The unit is safe to work on Yes No  
b) There is some danger (see below) Yes No  
Procedure to be adhered to in order to reduce safety risk indicated in b) below.

Date :  
Signature :  
Address, Division :  
Telephone :

Product name :  
Model :  
Serial number :  
Date of installation :

*Please decontaminate the unit yourself before calling the service engineer.*



## 8 Troubleshooting

### 8.1 General errors

If you are unable to resolve the error with the suggested measures, please contact your Eppendorf partner. The address can be found on our website: [www.eppendorf.com](http://www.eppendorf.com).

#### 8.1.1 Outer door

Problem	Cause	Solution
The outer door cannot be opened.	• The door handle is locked.	▶ Unlock the door handle.
	• The <i>auto vent</i> valve is blocked. The negative pressure in the interior is preventing the outer door from being opened.	▶ Wait until pressure compensation has taken place. Balancing the pressure takes 1 to 2 hours. ▶ After opening the outer door, remove the ice from the <i>auto vent</i> valve.
The keyboard is not responding.	• The keyboard is faulty.	▶ Switch the device off and back on. ▶ Contact your Eppendorf partner.

#### 8.1.2 Air filter

Problem	Cause	Solution
The <b>filter clean</b> indicator light lights up.	• The air filter is contaminated.	▶ Clean the air filter.

## 8.2 Software error messages

Problem	Cause	Solution
Code <i>E-01</i> The device triggers an alarm.	• The temperature sensor for measuring the interior temperature does not work.	▶ Contact your Eppendorf partner.
Code <i>E-02</i> The device triggers an alarm.	• The temperature sensor at the condenser does not work.	
Code <i>E-03</i> The device triggers an alarm.	• The temperature sensor at the heat exchanger does not work.	
Code <i>E-04</i>	• The temperature at the condenser is too high.	▶ Clean the air filter. ▶ Establish an ambient temperature that complies with the technical data. ▶ Contact your Eppendorf partner.

### 8.3 Mains/power outage

During a mains/power outage, no mains/power supply is supplied to the device. The device will trigger the "Mains/power outage" alarm . All danger signals go out once the device is supplied with power again.

The interior temperature may rise during a longer mains/power outage.

- If the interior temperature is below the alarm limit for the maximum temperature in the interior after the mains/power outage, the device continues to operate normally.
- If the interior temperature is above the alarm limit for the maximum interior temperature, the "Interior temperature" alarm is triggered after the delay time has elapsed.

### 8.4 Heating up of the interior

In case of a mechanical or electrical defect, the temperature inside the device may rise after some time. The temperature inside the device rises when the doors of the device are open and warm ambient air enters the device.

When the temperature inside the device exceeds the alarm limit, the "Interior temperature" alarm is triggered.

Open the outer doors and inner doors as briefly as possible to avoid that the temperature inside the device rises. In case of a malfunction, the back-up systems keeps the interior temperature stable over a longer period of time.

## 9 Transport, storage and disposal

### 9.1 Decommissioning

#### Prerequisites

- Racks and samples have been transferred to another ULT freezer.
1. Disable the back-up circuit (see p. 36).
  2. Disconnect the device from the voltage supply (see p. 37).
  3. Remove the safety clamp of the mains/power cord. Remove the mains/power cord from the device.
  4. Defrost the device (see p. 45).
  5. Decontaminate the device (see p. 46).

### 9.2 Transport



---

**DANGER! Risk of severe injury from tipping the device over during transport**

If the device tips over and falls on someone, that person sustains fatal injuries.

- ▶ Transport the device with a sufficient number of helpers.
- ▶ Observe the transport instructions in the operating manual.



---

**CAUTION! Risk of foot injury due to little ground clearance**

Feet can easily get trapped under the device.

- ▶ Wear safety shoes with steel toes.



---

**CAUTION! Risk of cut injuries due to sharp-edged components**

When working on the air intake grille and on the leveling feet, cut injuries can be caused by sharp-edged components on the bottom of the device.

- ▶ Wear protective gloves to avoid cut injuries.



---

**NOTICE! Risk of device damage due to lifting the device without the original pallet**

Lifting the device without the original pallet will damage the base of the device.

1. Place the device on the original pallet.
2. Secure the device.
3. Use a transport aid to lift the device.

**Transport, storage and disposal**

CryoCube F440n, F440h

English (EN)

**NOTICE! Damage to the compressor and refrigeration cycle during transport**

Tilting the device or transporting it in a horizontal position will damage the compressors and the refrigeration cycle. Refrigerant and oil may leak out.

Shocks may dislodge the compressors from the brackets.

- ▶ Transport the device in upright position.
- ▶ Move the device with due caution and care. Do not knock the device into anything.
- ▶ Protect the device from impacts.
- ▶ After setting up the device, wait for 6 h before switching it on.

**NOTICE! Damage to the door handle due to too high loads**

Pulling or pushing the device on the door handle during transport may damage the door handle.

- ▶ Grip the device at the housing to pull or push it.

**NOTICE! Transport damage to the control panel**

The control panel protrudes from the door. The control panel may become damaged during transport.

- ▶ Only transport the device with the transport protection attached to the control panel.

---

## 9.2.1 Preparing the device for transport

Tools and auxiliary equipment

- Open-end wrench

Prerequisites

- Racks and samples have been transferred to another ULT freezer.

1. Secure the shelves with transport clips (see p. 27).
2. Disable the back-up circuit (see p. 36).
3. Disconnect the device from the voltage supply (see p. 37).
4. Remove the safety clamp of the mains/power cord. Remove the mains/power cord from the device.
5. Screw the leveling feet up with the open-end wrench.



## 9.2.2 Transporting the device

Personal protective equipment

- Protective clothing, safety shoes

Tools and auxiliary equipment

- Transport aid
- Original pallet

### On level ground

1. Grasp the device by the housing and wheel it to its new location.  
Do not grasp the device by the door handle.

### Sloping surfaces

2. Transport the device sideways over ramps.
3. Do not transport the device over ramps at an angle > 17 % (10°).

### Narrow passageways

4. Open the door of the device 180°.
5. Transport the device, with one side panel to the front, through the passageway.  
If the passageway is too narrow for the device, housing parts may have to be disassembled. Contact your local Eppendorf partner for more information.

### Lifting the device

6. Wheel the device onto the original pallet in accordance with the unpacking instructions.
7. Secure the device.
8. Lift the device with a transport aid.

### Outside of buildings

9. Lift the device, see step 6 – 8.
10. Transport the device to the new location using a transport aid.  
The heavy-duty castors are not suitable for transport outside of buildings.



If you need help to transport the device, contact the authorized service.

## 9.3 Shipment

### 9.3.1 Shipping regulations

ULT freezers that contain more than 100 g of flammable refrigerant are classified as refrigerating machines containing flammable, non-toxic, liquefied gas (UN no. 3358).

The device contains more than 100 g of flammable refrigerant and must not be transported by air freight.

### 9.3.2 Shipping the device



**WARNING! Risk of personal injury due to contamination.**

People may get contaminated if you store or ship a contaminated device.

- ▶ Clean and decontaminate the device before shipping or storage.



**NOTICE! Risk of damage due to incorrect packing.**

Eppendorf AG is not liable for any damage caused by improper packing.

- ▶ Only store and transport the device in its original packing.
  - ▶ If you do not have the original packing, request the original packing from Eppendorf AG.
- 

#### Prerequisites

- The device has been taken out of operation.
- The device has been cleaned and decontaminated.
- The original packing is available.

1. Download the "Decontamination certificate for product returns" from the [www.eppendorf.com](http://www.eppendorf.com) webpage.
2. Complete the decontamination certificate.
3. Pack the device.
4. Put the decontamination certificate into the packing.
5. Ship the device according to the shipment regulations.



For service and repairs, send the device to Eppendorf AG or to an authorized service partner.

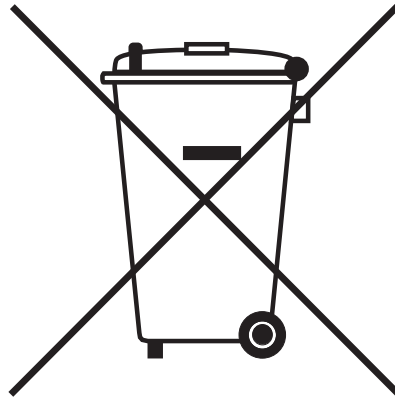
## 9.4 Disposal

Observe the relevant legal regulations when disposing of the product.

### Information on the disposal of electrical and electronic devices in the European Community:

Within the European Community, the disposal of electrical devices is regulated by national regulations based on EU Directive 2012/19/EU pertaining to waste electrical and electronic equipment (WEEE).

According to these regulations, any devices supplied after August 13, 2005, in the business-to-business sphere, to which this product is assigned, may no longer be disposed of in municipal or domestic waste. They are marked with the following symbol to indicate this:



Do not dispose of batteries as household waste. Dispose of batteries in accordance with the local regulations.

As the disposal regulations may differ from one country to another within the EU, please contact your supplier for more information.

**Transport, storage and disposal**

CryoCube F440n, F440h

English (EN)

## 10 Technical data

### 10.1 Power supply

Mains/power supply voltage and frequency	CryoCube F440n	230 V, 50 Hz 115 V, 60 Hz 208 V, 60 Hz
	CryoCube F440h	230 V, 50 Hz 115 V, 60 Hz
Current consumption	CryoCube F440n	230 V (50 Hz) 7 A 115 V (60 Hz) 11 A 208 V (60 Hz) 7 A
	CryoCube F440h	230 V (50 Hz) 7 A 115 V (60 Hz) 11 A
Electromagnetic compatibility (EMC)	The device meets the following requirements: <ul style="list-style-type: none"> <li>• IEC/EN 61326-1</li> <li>• EN 55011 (CISPR 11)</li> <li>• FCC Part 15 – Class A</li> </ul>	
Overvoltage category	II	
Degree of pollution	2	

## 10.2 Ambient conditions

### 10.2.1 Operation

Ambience	For indoor use only
Altitude of operation	Up to 2000 m
Ambient temperature	15 °C – 32 °C
Relative humidity	Maximum 80 %, non-condensing
Atmospheric pressure	80 kPa – 106 kPa

## 10.3 Dimensions

### 10.3.1 External dimensions

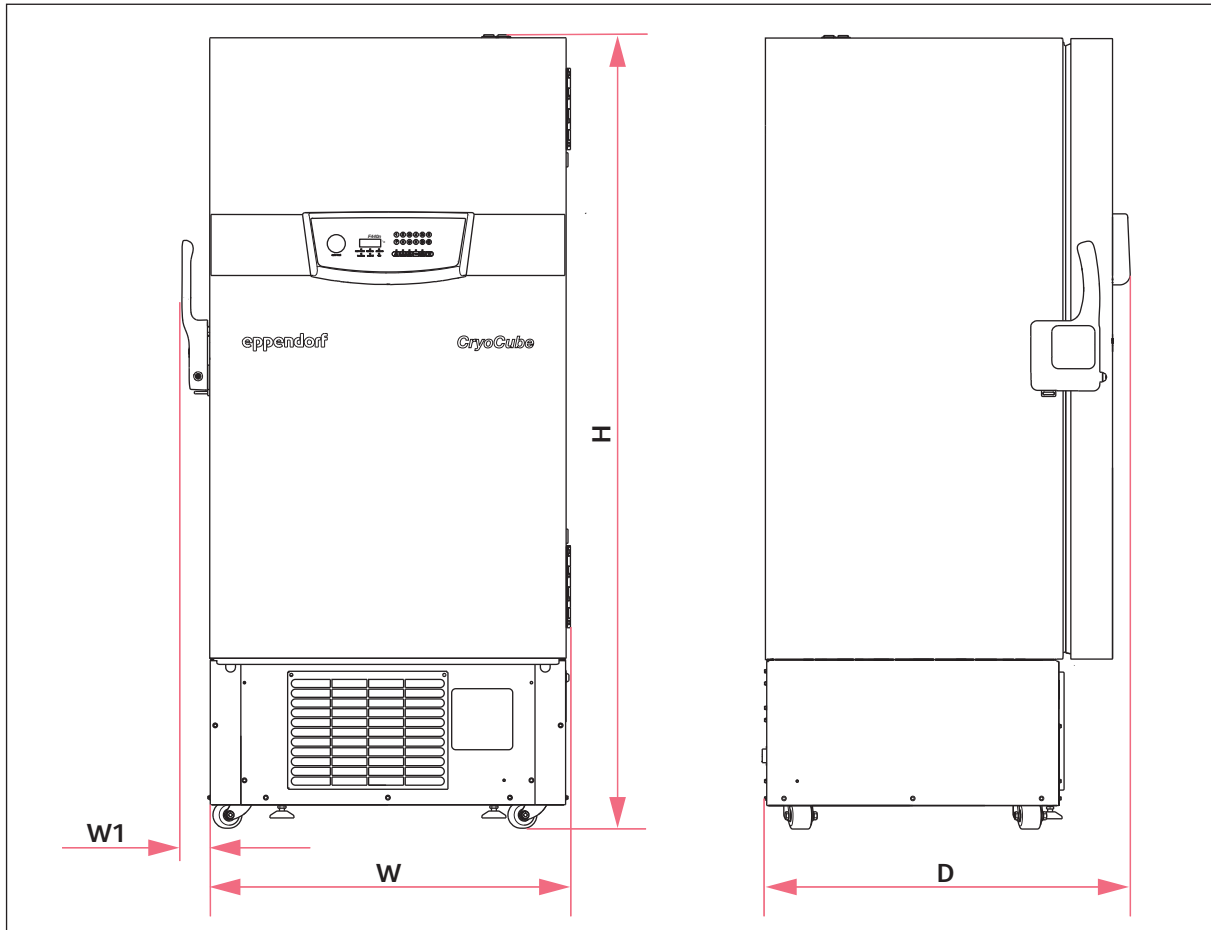


Fig. 10-1: External dimensions of CryoCube F440n and CryoCube F440h

**D 898 mm**

**W 876 mm**

**H 1950 mm**

**W1 68 mm**

### 10.3.2 Internal dimensions

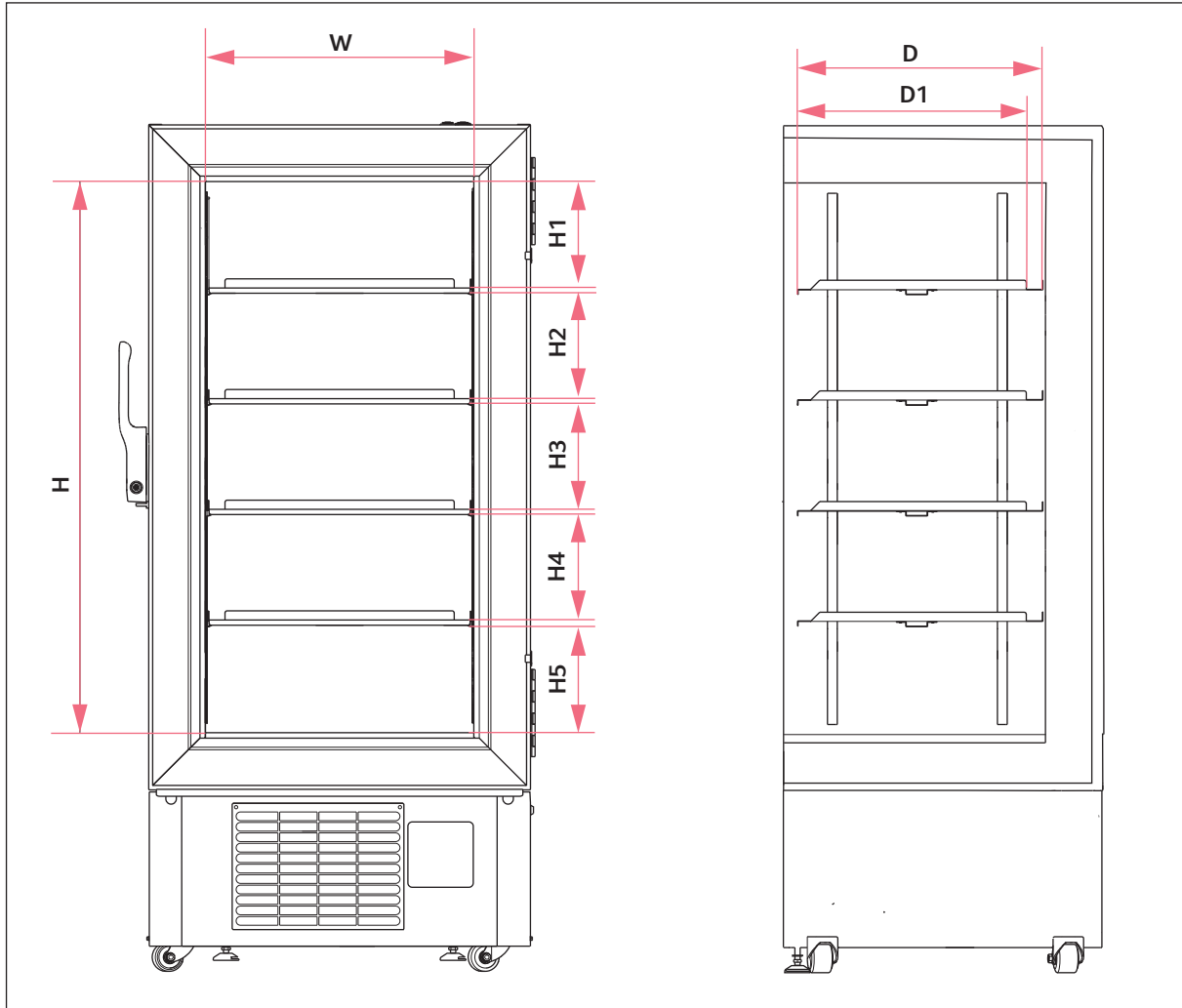


Fig. 10-2: Internal dimensions CryoCube F440n and CryoCube F440h

D 600 mm

D1 575 mm

H 1265 mm

H1 245,5 mm

H2-H4 242 mm

H5 245,5 mm

W 616 mm

## 10.4 Weight

	Device	Packaged device
CryoCube F440n	267 kg	308 kg
CryoCube F440h	286 kg	327 kg

## 10.5 Interfaces

BMS	Remote alarm
Serial interface	RS-485 (optional accessories for connection to the VisioNize box)

Only connect devices which comply with the IEC 62368-1 (UL 62368-1) standards to the interfaces.

## 10.6 Temperature control

### 10.6.1 Temperature range

Setting range	-50 °C to -86 °C
---------------	------------------

### 10.6.2 Cooling of the refrigeration cycle

CryoCube F440n CryoCube F440h	Air cooling
----------------------------------	-------------

### 10.6.3 Refrigerant

Device	Refrigeration cycle 1	Refrigeration cycle 2
CryoCube F440n (115 V)	R-290	R-170
CryoCube F440n (208 V)	R-290	R-170
CryoCube F440n (230 V)	R-290	R-170
CryoCube F440h (115 V)	R-290	R-170
CryoCube F440h (230 V)	R-290	R-170

Refrigerant	Compounds
R-170	Ethane
R-290	Propane



## 10.7 Additional specifications

### 10.7.1 Capacity and carrying capacity

Capacity	440 L
Carrying capacity per inner shelf	50.5 kg (with an evenly distributed load)
Carrying capacity per device	252.5 kg

### 10.7.2 Material

Outer door insulation	Vacuum insulation panels (only CryoCube F440h) Polyurethane foam
Device insulation	Vacuum insulation panels (only CryoCube F440h) Polyurethane foam
Interior	Stainless steel (304 2B)



## 11 Ordering information

### 11.1 Accessories

#### 11.1.1 Back-up systems

Order no. (International)	Description
	<b>CO2 back-up system</b>
U9043-0006	120 V - 220 V/60 Hz
U9043-0008	230 V/50 Hz
	<b>LN2 back-up system</b>
U9044-0006	120 V - 220 V/60 Hz
U9044-0008	230 V/ 50 Hz

#### 11.1.2 Chart recorder

Order no. (International)	Description
	<b>Chart recorder type 1</b>
P0625-2100	Connection to mains/power supply in the ULT freezer
	<b>Discs for chart recorder type 1</b>
P0625-2110	-100 °C – -50 °C 60 pieces
	<b>Pens for chart recorder type 1</b>
K0660-0051	3 pieces

#### 11.1.3 Shelf

Order no. (International)	Description
	<b>Shelf</b>
F651999580	1 piece
	<b>Shelf support for shelf post</b>
F651999690	4 pieces CryoCube F440

### 11.1.4 Racks for ULT upright freezers

Order no. (International)	Description
	<b>Rack with drawers</b> material stainless steel
6001 022.210	for 16 boxes, box height 53 mm
6001 022.910	for 12 boxes, box height 63 mm
6001 022.310	for 8 boxes, box height 78 mm
6001 022.410	for 8 boxes, box height 103 mm
	<b>Rack with side access</b> material stainless steel
6001 021.210	for 16 boxes, box height 53 mm
6001 021.910	for 12 boxes, box height 63 mm
6001 021.310	for 8 boxes, box height 78 mm
6001 021.410	for 8 boxes, box height 103 mm
6001 021.110	with compartments for 24 deepwell plates up to 53 mm
	<b>Rack with drawers</b>
K0641-1900	Drawer height 53 mm
K0641-1890	Drawer height 76 mm
K0641-1880	Drawer height 102 mm

### 11.1.5 Cardboard boxes and box dividers

Order no. (International)	Description
	<b>Cardboard box</b>
B50-SQ	width 133 mm, depth 133 mm, height 50 mm
B75-SQ	width 133 mm, depth 133 mm, height 75 mm
B95-SQ	width 133 mm, depth 133 mm, height 100 mm
	<b>Box divider</b>
D49	for 7 × 7 vessels, maximum vessel diameter 17.4 mm
D64	for 8 × 8 vessels, maximum vessel diameter 15 mm
D81	for 9 × 9 vessels, maximum vessel diameter 13 mm
D100	for 10 × 10 vessels, maximum vessel diameter 11.8 mm

### 11.1.6 Eppendorf Storage Boxes

Order no. (International)	Description
0030 140.508	<b>Eppendorf Storage Box 10 × 10, 2 inch</b> height 52.8 mm, for 100 cryogenic tubes with internal thread 3 pieces
0030 140.516	<b>Eppendorf Storage Box 9 × 9, 2 inch</b> height 52.8 mm, for 81 screw cap (cryogenic) tubes 1 mL - 2 mL 3 pieces
0030 140.524	<b>Eppendorf Storage Box 8 × 8, 2 inch</b> height 52.8 mm, for 64 micro test tubes 1 mL - 2 mL 3 pieces
0030 140.532	<b>Eppendorf Storage Box 5 × 5, 2.5 inch</b> height 63.5 mm, for 25 micro test tubes 5 mL 4 pieces
0030 140.540	<b>Eppendorf Storage Box 9 × 9, 3 inch</b> height 76.2 mm, for 81 screw cap (cryogenic) tubes 3 mL 2 pieces
0030 140.567	<b>Eppendorf Storage Box 9 × 9, 4 inch</b> height 101.6 mm, for 81 screw cap (cryogenic) tubes 4 mL - 5 mL 2 pieces
0030 140.583	<b>Eppendorf Storage Box 5 × 5, 5 inch</b> height 127 mm, for 25 conical tubes 15 mL 2 pieces
0030 140.591	<b>Eppendorf Storage Box 3 × 3, 5 inch</b> height 127 mm, for 9 conical tubes 50 mL and 4 conical tubes 15 mL 2 pieces
0030 140.613	<b>Eppendorf Storage Box 5 × 5, 3 inch</b> height 76.2 mm, for 25 screw cap tubes 5 mL 2 pieces
0030 140.729	<b>Eppendorf Storage Box 3 × 3, 3.5 inch</b> height 88,9 mm, for 9 conical tubes 25 mL and 4 micro test tubes 5 mL 2 pieces

### 11.1.7 VisioNize system

Further information about the Eppendorf VisioNize system can be found on the [www.eppendorf.com](http://www.eppendorf.com) webpage. Contact your local Eppendorf partner for more information.

**Index****A**

Alarm .....20

**B**

Battery switch

Switching off .....36

Switching on .....31

**D**

Degree of pollution .....61

Device

Switching off .....37

Switching on .....32

Disposal .....59

**E**

Electromagnetic compatibility (EMC) .....61

**S**

Switching off

Back-up circuit .....36

Battery switch .....36

Device .....37

Switching on

Back-up circuit .....31

Battery switch .....31

Device .....32

**T**

Technical data

Ambient conditions .....61

Operation .....61

Temperature sensors .....23

**W**

Weight .....64



# Evaluate Your Manual

Give us your feedback.

[www.eppendorf.com/manualfeedback](http://www.eppendorf.com/manualfeedback)

**Your local distributor: [www.eppendorf.com/contact](http://www.eppendorf.com/contact)**

Eppendorf AG · Barkhausenweg 1 · 22339 Hamburg · Germany  
[eppendorf@eppendorf.com](mailto:eppendorf@eppendorf.com) · [www.eppendorf.com](http://www.eppendorf.com)