



## CONTENTS

<b>GENERAL</b> .....	<b>2</b>	<b>PACKING</b> .....	<b>31</b>
<b>SYSTEM SET-UP</b> .....	<b>3</b>	<b>ADJUSTMENT</b> .....	<b>32</b>
<b>OPERATING FEATURES</b> .....	<b>4</b>	<b>PC BOARD</b>	
<b>REALIGNMENT</b> .....	<b>5</b>	<b>DISPLAY UNIT (X54-3430-20)</b> .....	<b>36</b>
<b>INSTALLATION</b> .....	<b>11</b>	<b>TX-RX UNIT (X57-6910-XX)</b> .....	<b>38</b>
<b>DISASSEMBLY FOR REPAIR</b> .....	<b>14</b>	<b>SCHEMATIC DIAGRAM</b> .....	<b>42</b>
<b>CIRCUIT DESCRIPTION</b> .....	<b>17</b>	<b>BLOCK DIAGRAM</b> .....	<b>46</b>
<b>SEMICONDUCTOR DATA</b> .....	<b>22</b>	<b>LEVEL DIAGRAM</b> .....	<b>48</b>
<b>COMPONENTS DESCRIPTION</b> .....	<b>23</b>	<b>TERMINAL FUNCTION</b> .....	<b>50</b>
<b>PARTS LIST</b> .....	<b>24</b>	<b>SPECIFICATION</b> .....	<b>51</b>
<b>EXPLODED VIEW</b> .....	<b>30</b>		

## GENERAL

### INTRODUCTION

#### SCOPE OF THIS MANUAL

This manual is intended for use by experienced technicians familiar with similar types of commercial grade communications equipment. It contains all required service information for the equipment and is current as of this publication date. Changes which may occur after publication are covered by either Service Bulletins or Manual Revisions, which are issued as required.

### ORDERING REPLACEMENT PARTS

When ordering replacement parts or equipment information, the full part identification number should be included. This applies to all parts : components, kits, and chassis. If the part number is not known, include the chassis or kit number of which it is a part and a sufficient description of the required component for proper identification.

### PERSONAL SAFETY

The following precautions are recommended for personal safety :

- DO NOT transmit if someone is within two feet (0.6 meter) of the antenna.
- DO NOT transmit until all RF connectors are secure and any open connectors are properly terminated.
- SHUT OFF this equipment when near electrical blasting caps or while in an explosive atmosphere.
- All equipment should be properly grounded before power-up for safe operation.
- This equipment should be serviced by only qualified technicians.

### PRE-INSTALLATION CONSIDERATIONS

#### 1. UNPACKING

Unpack the radio from its shipping container and check for accessory items. If any item is missing, please contact KENWOOD immediately.

#### 2. LICENSING REQUIREMENTS

Federal regulations require a station license for each radio installation (mobile or base) be obtained by the equipment owner. The licensee is responsible for ensuring transmitter power, frequency, and deviation are within the limits permitted by the station license.

Transmitter adjustments may be performed only by a licensed technician holding an FCC first, second or general class commercial radiotelephone operator's license. There is no license required to install or operate the radio.

### 3. PRE-INSTALLATION CHECKOUT

#### 3-1. Introduction

Each radio is adjusted and tested before shipment. However, it is recommended that receiver and transmitter operation be checked for proper operation before installation.

#### 3-2. Testing

The radio should be tested complete with all cabling and accessories as they will be connected in the final installation. Transmitter frequency, deviation, and power output should be checked, as should receiver sensitivity, squelch operation, and audio output. Signalling equipment operation should be verified.

### 4. PLANNING THE INSTALLATION

#### 4-1. General

Inspect the vehicle and determine how and where the radio antenna and accessories will be mounted.

Plan cable runs for protection against pinching or crushing wiring, and radio installation to prevent overheating.

#### 4-2. Antenna

The favored location for an antenna is in the center of a large, flat conductive area, usually at the roof center. The trunk lid is preferred, bond the trunk lid and vehicle chassis using ground straps to ensure the lid is at chassis ground.

#### 4-3. Radio

The universal mount bracket allows the radio to be mounted in a variety of ways. Be sure the mounting surface is adequate to support the radio's weight. Allow sufficient space around the radio for air cooling. Position the radio close enough to the vehicle operator to permit easy access to the controls when driving.

#### 4-4. DC Power and wiring

1. This radio may be installed in negative ground electrical systems only. Reverse polarity will cause the cable fuse to blow. Check the vehicle ground polarity before installation to prevent wasted time and effort.
2. Connect the positive power lead directly to the vehicle battery positive terminal. Connecting the Positive lead to any other positive voltage source in the vehicle is not recommended.
3. Connect the ground lead directly to the battery negative terminal.
4. The cable provided with the radio is sufficient to handle the maximum radio current demand. If the cable must be extended, be sure the additional wire is sufficient for the current to be carried and length of the added lead.

## GENERAL / SYSTEM SET-UP

### 5. INSTALLATION PLANNING – CONTROL STATIONS

#### 5-1. Antenna system

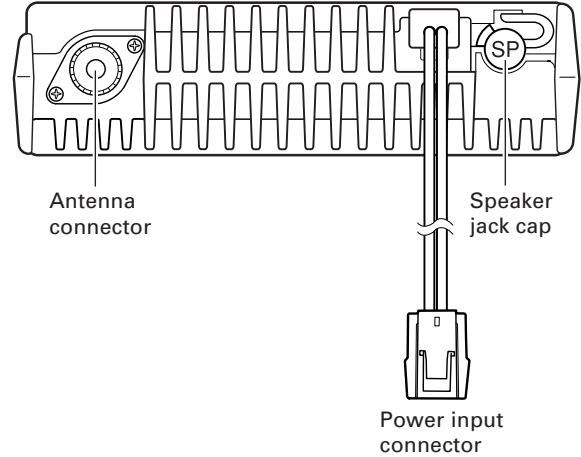
Control station. The antenna system selection depends on many factors and is beyond the scope of this manual. Your KENWOOD dealer can help you select an antenna system that will best serve your particular needs.

#### 5-2. Radio location

Select a convenient location for your control station radio which is as close as practical to the antenna cable entry point. Secondly, use your system's power supply (which supplies the voltage and current required for your system). Make sure sufficient air can flow around the radio and power supply to allow adequate cooling.

### NOTE

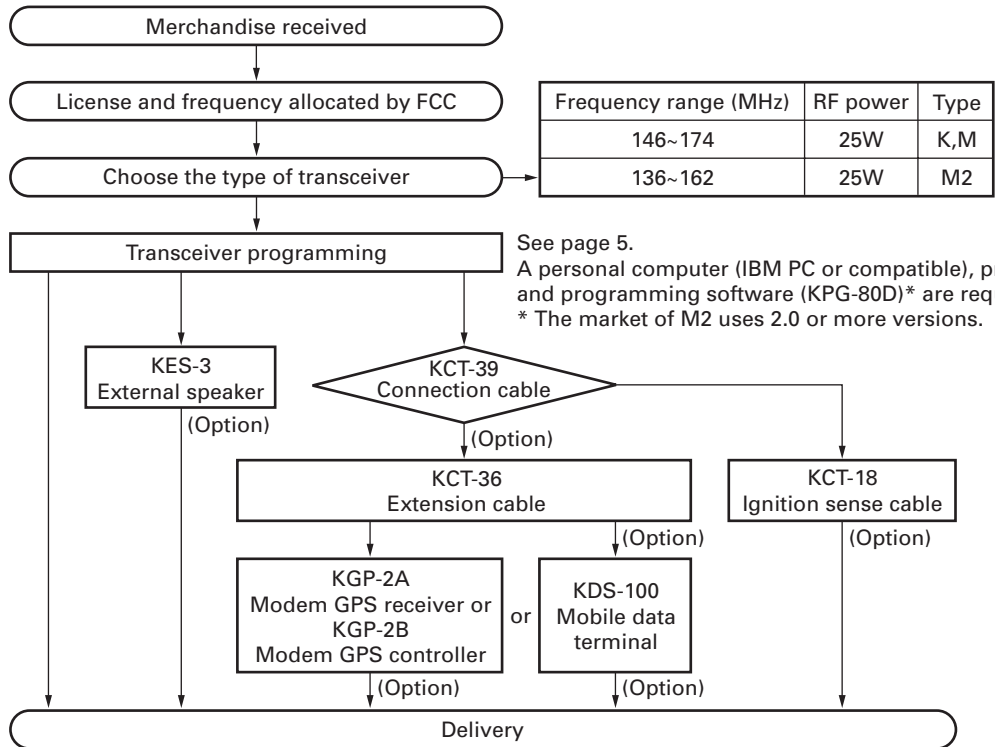
If you do not intend to use the 3.5-mm jack for the external speaker, fit the supplied speaker-jack cap to stop dust and sand from getting in.



### SERVICE

This radio is designed for easy servicing. Refer to the schematic diagrams, printed circuit board views, and alignment procedures contained in this manual.

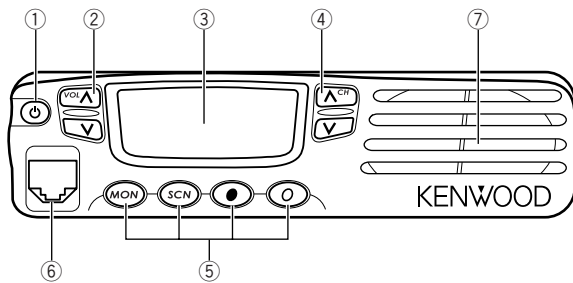
### SYSTEM SET-UP



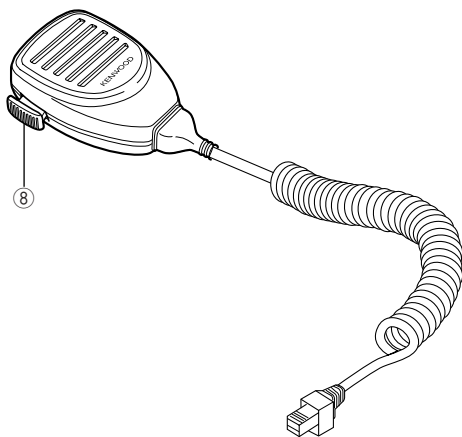
## OPERATING FEATURES

### 1. Controls and Functions

#### 1-1. Front Panel



#### 1-2. Microphone



##### ① ⏻ (Power) switch

Press to switch the transceiver ON. Press and hold for approximately 1 second to switch the transceiver OFF.

##### ② VOL ▲ / ▼ keys (left side)

Press to increase or decrease the volume level.

##### ③ Display

Refer to right.

##### ④ CH ▲ / ▼ keys (right side)

Press to increase or decrease the channel number.

##### ⑤ MON / SCN / ● / ○ keys

PF (Programmable Function) keys. Press each key to activate its programmable function.

##### ⑥ Microphone jack

Insert the microphone plug into this jack.

##### ⑦ Speaker

Internal speaker.

##### ⑧ PTT switch

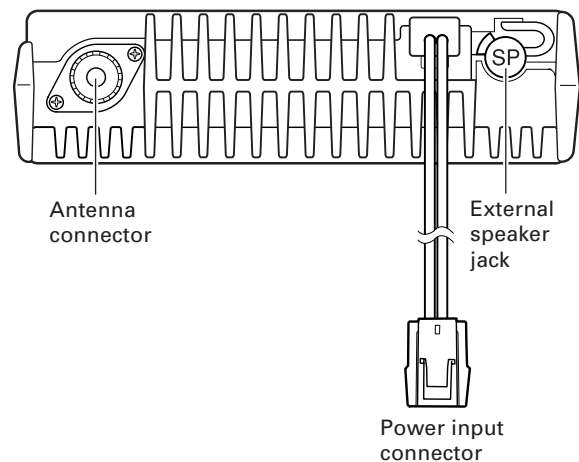
Press this switch, then speak into the microphone to call a station.

#### 1-3. Display



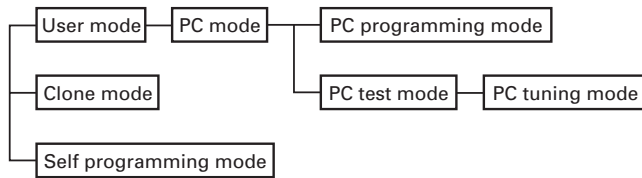
Indicator	Description
<b>TX</b>	Appears while transmitting.
	Appears when trunking is activated.
	Appears while monitoring the selected channel (squelch is off).
<b>CALL</b>	Appears when making a call using Code Squelch or Selective Call. Appears and blinks when receiving a Code Squelch call.
<b>SCN</b>	Appears while scanning.
<b>AUX</b>	Appears when the AUX port has been activated or when the Scrambler function has been selected.
<b>TA</b>	Appears while using the Talk Around function.
<b>P</b>	The selected channel is set as a Priority channel.
<b>A</b>	The selected channel is added to the scanning sequence.
<b>BUSY</b>	Appears when a signal is detected on the currently selected channel.
	Appears when the transceiver keys have been locked, using the Key Lock function.
	Displays the currently selected group and channel number, or the channel name.

#### 1-4. Rear Panel



## REALIGNMENT

### 1. Modes



Mode	Function
User mode	For normal use.
PC mode	Used for communication between the radio and PC (IBM compatible).
PC programming mode	Used to read and write frequency data and other features to and from the radio.
PC test mode	Used to check the radio using the PC. This feature is included in the FPU.
PC tuning mode	Used to tune the radio using the PC.
Clone mode	Used to transfer programming data from one radio to another.
Self programming mode	You can program the frequency, signalling and other functions using only the radio.

### 2. How to Enter Each Mode

Mode	Operation
User mode	Power ON
PC mode	Received commands from PC
Clone mode	[CH DOWN]+Power ON (Two seconds)
Self programming mode	[MON]+Powr ON (Two seconds)

### 3. PC Mode

#### 3-1. Preface

The TK-7100 transceiver is programmed using a personal computer, a programming interface (KPG-46) and programming software (KPG-80D).

The programming software can be used with an IBM PC or compatible. Figure 1 shows the setup of an IBM PC for programming.

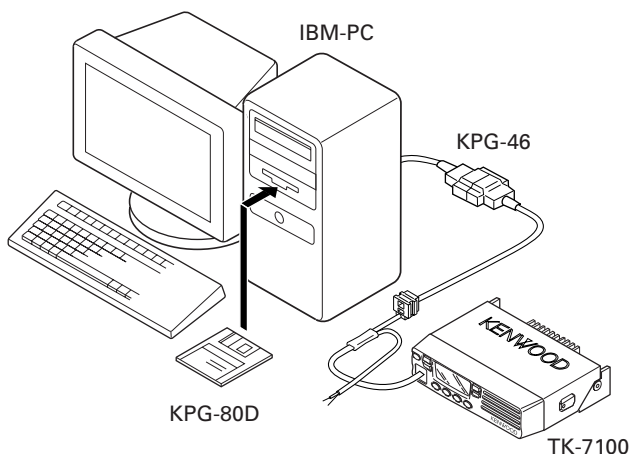


Fig. 1

#### 3-2. Connection Procedure

1. Connect the TK-7100 to the personal computer with the interface cable.
2. When the Power is switched on, user mode can be entered immediately. When the PC sends a command, the radio enters PC mode. When data is transmitted from transceiver, the TX indicator blink. When data is received by the transceiver, the BUSY indicator blink. In the PC mode, " PC " is displayed on the LCD.

#### 3-3. KPG-46 Description

##### (PC programming interface cable : Option)

The KPG-46 is required to interface the TK-7100 to the computer. It has a circuit in its D-subconnector (25-pin) case that converts the RS-232C logic level to the TTL level.

The KPG-46 connects the modular microphone jack of the TK-7100 to the computers RS-232C serial port.

#### 3-4. Programming Software Description

KPG-80D is the programming software for TK-7100 supplied on three 3.5" floppy diskettes. This software runs under Windows 98, ME, Windows 2000 or XP on an IBM-PC or compatible machine.

The data can be input to or read from TK-7100 and edited on the screen. The programmed or edited data can be printed out. It is also possible to tune the transceiver.

### 4. Clone Mode

Programming data can be transferred from one radio to another by connecting them via their modular microphone jacks. The operation is as follows (the transmit radio is the master and the receive radio is the slave).

#### Note :

Clone mode should be enabled.

1. Turn the master TK-7100 power ON with the [CH DOWN] key held down (2 seconds), " CLONE " is displayed on the LCD.
2. Power on the slave TK-7100.
3. Connect the cloning cable (No. E30-3382-05) to the modular microphone jacks on the master and slave.
4. Press the [MON] key on the master TK-7100 transceiver. The data of the master is sent to the slave. While the master is sending data, [TX] icon blinked. While the slave is receiving the data, " PC " is displayed and [BUSY] icon blinked. When cloning of data is completed, the master displays "END", and the master [TX] icon turned off, and the slave automatically operates in the User mode. The slave can then be operated by the same program as the master.
5. The other slave can be continuously cloned. Carry out the operation in step 2 to 4.

## REALIGNMENT

### 4-1. Adding the data password.

If the data password is set in the optional feature menu, you must enter the password (Master transceiver) to activate a clone mode.

You can use 1, 2, 3, and 4 to configure the password. The maximum length of the password is 6 digits.

1. [CH DOWN]+Power ON.
2. "CLN LOCK" is displayed on the LCD.
3. Enter the password using 1 : [MON] key, 2 : [SCN] key, 3 : [●] key and 4 : [○] key.
4. Press [CH DOWN] key.
5. If the password matches, the transceiver enters a clone mode and "CLONE" is displayed. Otherwise, transceiver beeps and returns to the password input mode.

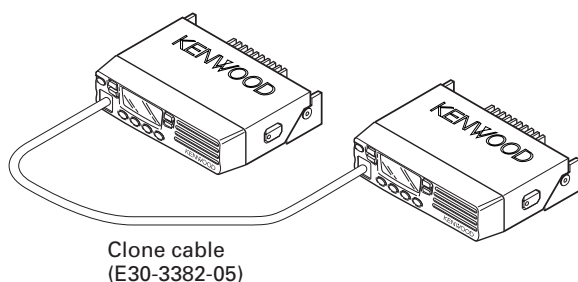
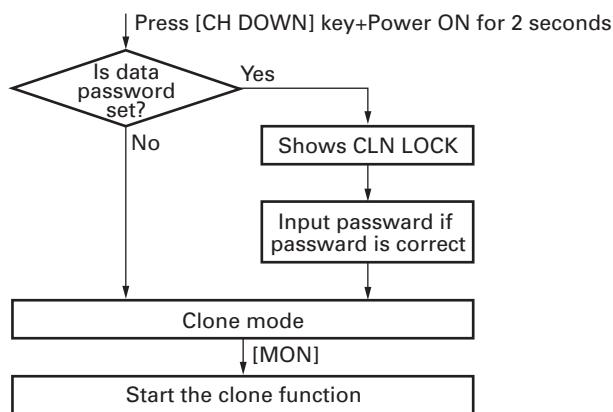


Fig. 2

### ■ Flow Chart (Master radio)



## 5. Self Programming Mode

Write mode for frequency data and signalling, etc. To be used ONLY by the authorized service person maintaining the user's equipment. After programming, reset the FPU to the "Self- Programming" disabled mode. Radios CANNOT be delivered to the end-user in the self-programming mode.

### 5-1. Enter to the Self Programming Mode

Hold down the [MON] key and turn the power switch on. When enter the self programming mode, "SELF" is displayed.

### 5-2. Adding the Data Password

If the data password is set in the optional feature menu, you must enter the password to activate a self programming mode.

You can use 1, 2, 3 and 4 to configure the password. The maximum length of the password is 6 digits.

1. [MON]+Power ON.
2. "SELFLOCK" is displayed on the LCD.
3. Enter the password using 1 : [MON] key, 2 : [SCN] key, 3 : [●] key and 4 : [○] key.
4. Press [CH DOWN] key.
5. If the password matches, the transceiver enters a self programming mode and "SELF" is displayed. Otherwise, transceiver beeps and returns to the password input mode.

### Note :

This mode (self programming mode) cannot be set when it has been disabled with the FPU.

### 5-3. Channel Setting Mode

Each channel can be setup in its action mode by using the panel keys.

- Pressing [MON] when "SELF" is displayed, sets channel setting mode.
- Select an item set using [●] then change the selection with the [CH UP] or [CH DOWN].
- The data displayed using [SCN] is stored in the memory and then proceeds to the next item.
- Pressing [●] proceeds to the next item without storing it in the memory.
- Press [MON] to set the display to "SELF" and return to reset (default) status.

The setup items for channel setting mode are listed below.

No.	Function	Choices	Display	Remarks
	Select channel	1~64	1- 1. 1- 64.	● key : Group/Channel selection
	Select group	1~8	1.- 1 8.- 1	● key : Group/Channel selection
1	RX frequency	Step 2.5kHz~ 1MHz	STP 250 STP 1M	Display when an item is selected or a step is changed (about 0.5 seconds). ○ key : Select the frequency step
		Blank 100.0000~ 550.0000MHz	R.----- R.150.0000	○ key : Hold 1 second to frequency on/blank switching. The right most dot indicates 50Hz digit. (On=5, Off=0)

## REALIGNMENT

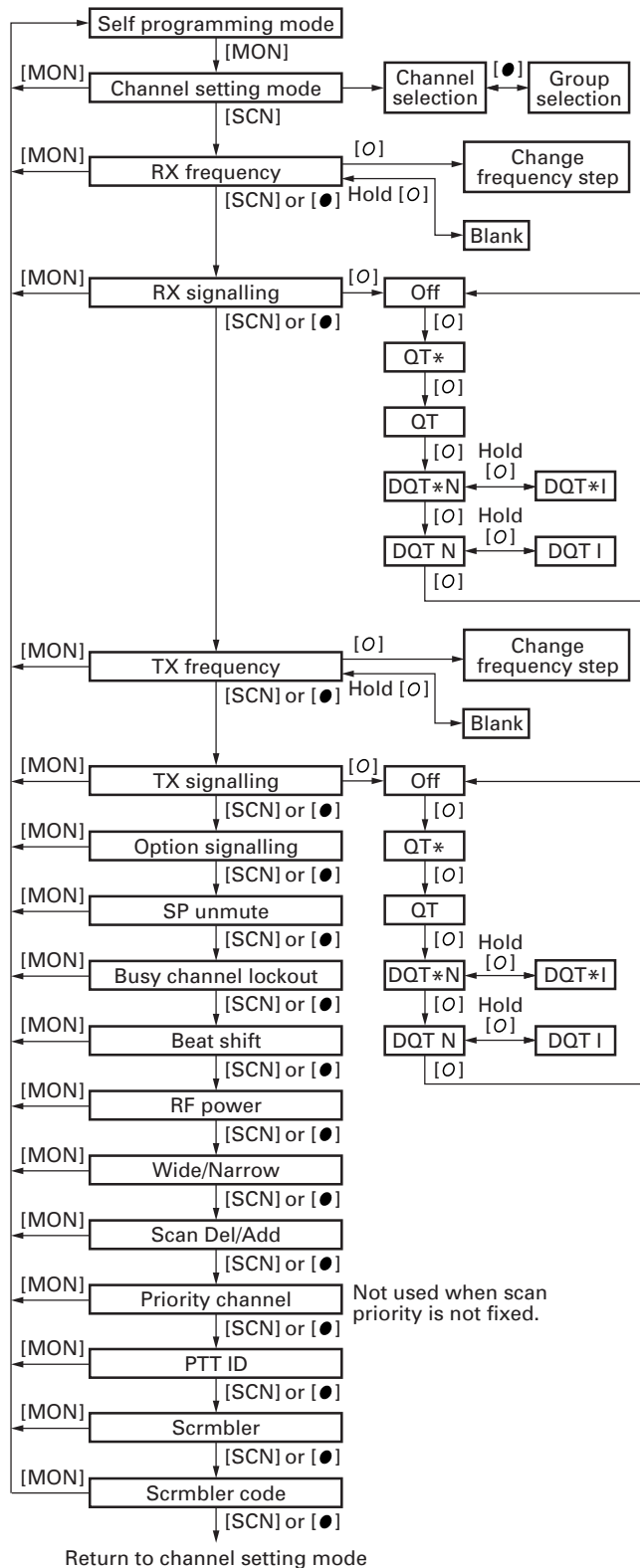
No.	Function	Choices	Display	Remarks
2	RX signalling	Off	-----	○ key : Off/QT/DQT switching
		QT 67.0~254.1 (0.1Hz step mode)	QT 67.0* QT 254.1*	
		QT 67.0~250.3 (EIA mode)	QT 67.0 QT 250.3	
		DQT 000~777 Normal (1 step mode)	DQT000N* DQT777N*	
		DQT 023~754 Normal (Standard table mode)	DQT023N DQT754N	
		DQT 000~777 Inverse (1 setp mode)	DQT000I* DQT777I*	○ key : Hold 1 second to switch between Normal/Inverse.
		DQT 023~754 Inverse (Standard table mode)	DQT023I DQT754I	
3	TX frequency	Step 2.5kHz~1MHz	STP 250 STP 1M	Display when an item is selected or a step is changed (about 0.5 seconds). ○ key : Select the frequency step
		Blank 100.0000~550.0000MHz	T.----- T.150.0000	○ key : Hold 1 second to frequency on/blank switching. The right most dot indicates 50Hz digit. (On=5, Off=0)
4	TX signalling	Off	-----	○ key : Off/QT/DQT switching
		QT 67.0~254.1 (0.1Hz step mode)	QT 67.0* QT 254.1*	
		QT 67.0~250.3 (EIA mode)	QT 67.0 QT 250.3	
		DQT 000~777 Normal (1 step mode)	DQT000N* DQT777N*	
		DQT 023~754 Normal (Standard table mode)	DQT023N DQT754N	

No.	Function	Choices	Display	Remarks			
		DQT 000~777 Inverse (1 setp mode)	DQT000I* DQT777I*	○ key : Hold 1 second to switch between Normal/Inverse.			
		DQT 023~754 Inverse (Standard table mode)	DQT023I DQT754I				
		5	Option signalling		Off DTMF	NONE DTMF	Default
		6	SP unmute		Carrier	S.UM CARR	
QT/DQT	S.UM QTDO			Not used when QT/DQT decode is not set.			
Carrier+DTMF	S.UM C+DT			Not used when option signalling is none.			
		QT/DQT+ DTMF	S.UM Q+DT	Not used when option signalling is none.			
		7	Busy channel lockout	Off	BCL OFF	Default	
Carrier	BCL CARR						
QT/DQT	BCL QTDO			If QT/DQT decode is not set, it cannot be selected.			
		DTMF	BCL DTMF	If option signalling is set to off, it cannot be selected.			
		8	Beat	No	SHFT NO	Default	
Yes	SHFT YES						
9	RF power	High power	PWR H	Default			
		Low power	PWR L				
10	Wide/ Narrow	Wide	WIDE	Default			
		Narrow	NARROW				
11	Scan Del/Add	Delete	SCAN DEL				
		Add	SCAN ADD	Default			
12	Priority channel	No	P.CH NO	Default			
		Yes	P.CH YES	Not used when scan priority is not fixed.			
13	PTT ID	Off	P.ID OFF	Default			
		Begin of TX	P.ID BOT				
		End of TX	P.ID EOT				
		Both	P.ID BOTH				
14	Scrambler	Off	SCR OFF	Default			
		No	SCR ON				
15	Scrambler code	1~16	SCR 1	Default			
			SCR 16				

- Finish beep will sound when displayed data is stored.
- The settings for scrambler and scrambler code can only be selected when voice scrambler board is installed.

## REALIGNMENT

### Flow Chart

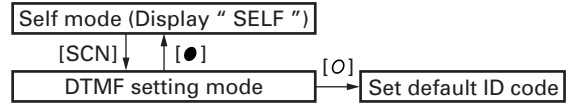


### 5-4. DTMF Setting Mode

Each radio can be setup in its action mode by using the panel keys.

- Pressing [SCN] when " SELF " is displayed, sets the DTMF setting mode.
- The data displayed using [SCN] is stored in the memory.
- Pressing [●] to without storing it in the memory.
- Press [O] to default status.

### Flow Chart



The setup items for DTMF setting mode are listed below.

No.	Function	Choices	Display	Remarks
1	ID code	000~9999999999 (Code squelch)	ID	Display when an item is selected (about 0.5 seconds).
			1 2 3 4 5 6 7 8	Display of the current setting (If it is 8 or more digits, scroll it).
			-----9 8 7	Display when a code is input (Input it with DTMF key only).
			-----0 0 0	○ key : Set to default data
		0000~9999 (Selective call) (*1)	ID	Display when an item is selected (about 0.5 seconds).
			---- 1 2 3 4 (*1)	Display of the current setting (Input the code with DTMF key only).
		-----0 0 0 (*1)	○ key : Set to default data	

- Finish beep will sound when displayed data is stored.
- (\*1) : ID code range is from 3 to 4 digits when selective call is selected.

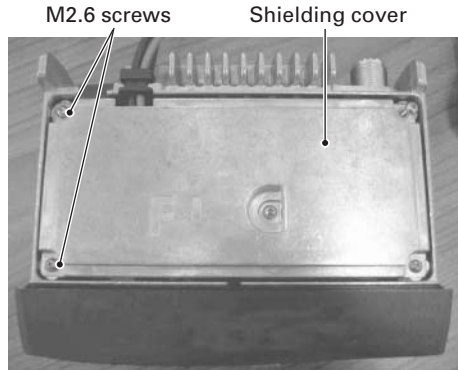


## REALIGNMENT

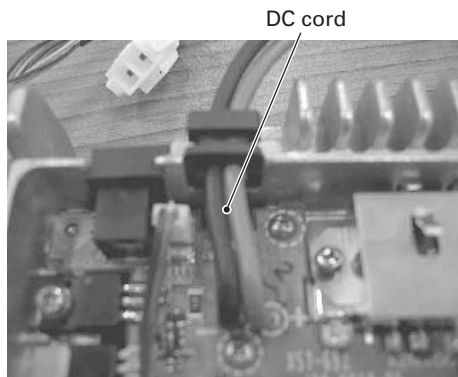
### 6. Accessory Connection Cable (KCT-39)

The KCT-39 is an accessory connection cable for connecting external equipment. The connector has 15 pins and the necessary signal lines are selected for use.

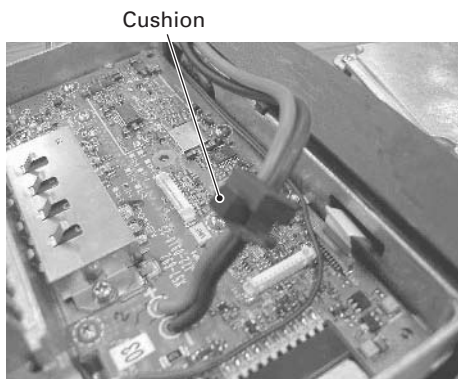
1. Unscrew the five M2.6 screws (N87-2614 -46), then remove the shielding cover (F10-2491-03).



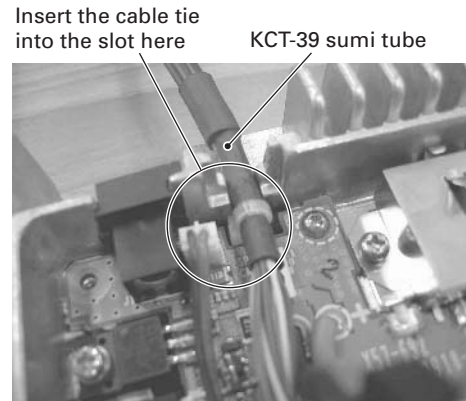
2. Lift the DC cord (E30 -3448 -05) and remove the cushion (G13 -2003 -04) from the chassis.



3. Attach a new cushion (G13-1960 -08) to the DC bush.



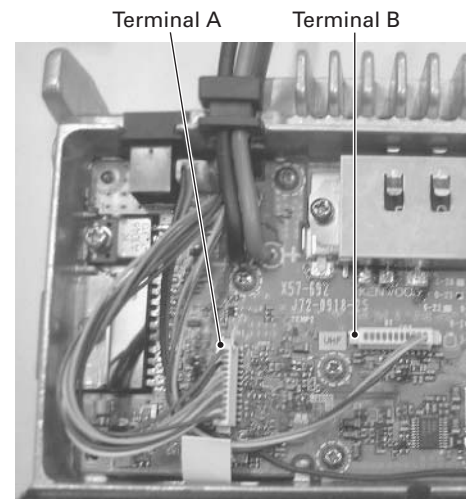
4. Place the KCT-39 sumi tube along the chassis and insert the cable tie into the TX-RX PCB slot, as shown in the diagram below.



5. Align the KCT -39 cable to the left side of the DC cord, then place the DC cord back into its slot along the chassis (over the top of the KCT-39 sumi tube).

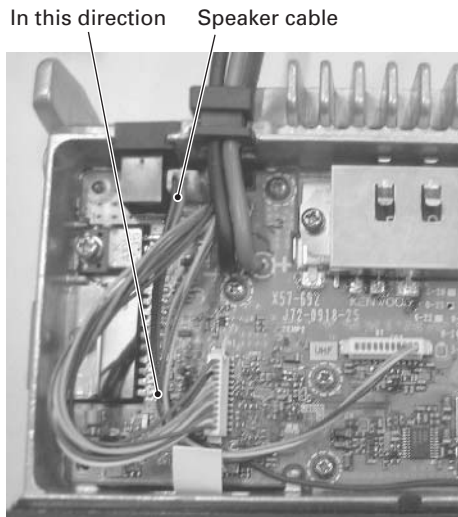


6. Twist the large grouping of wires of the KCT-39 cable twice, then connect it to Terminal A of the PCB. Connect the remaining grouping of wires of the KCT -39 cable to Terminal B.



## REALIGNMENT

7. Align the terminal B KCT -39 cable underneath the terminal A cable align the speaker cable (T07 -1082 -05) below both KCT-39 cables.



10. Connect the KCT-39 to the external accessory by inserting the crimp terminal ( ❶ ) into the square plug ( ❷ ), both of which are supplied with the KCT-39.

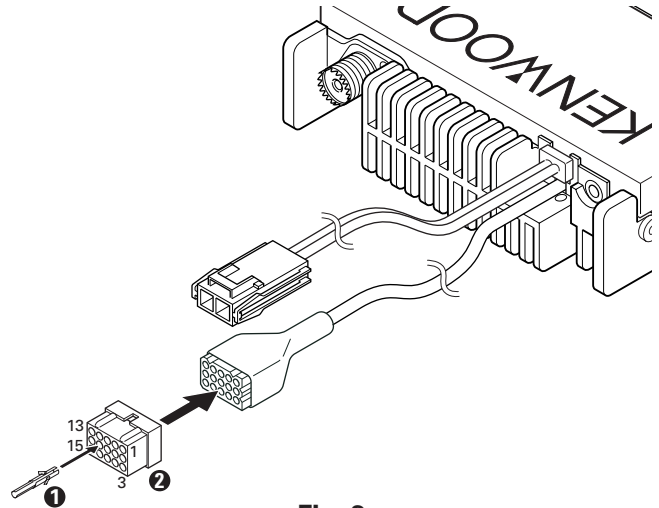
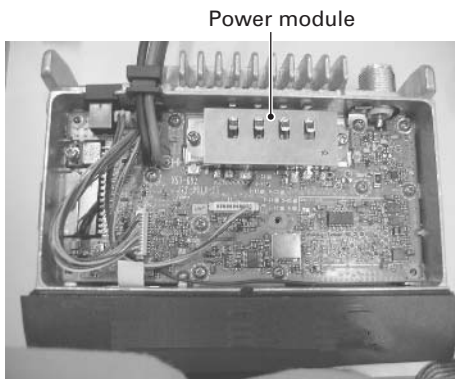
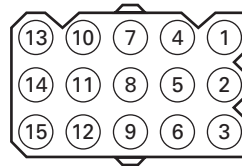


Fig. 3

8. Align all cable to the left side so as to avoid the Power Module Area. Mount the shielding cover and secure it with the five M2.6 screws.



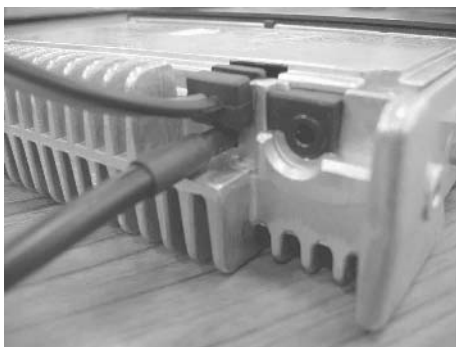
### ■ Accessory Port Function



No.	Color	Internal connector	Name
1	Red	CN2-1	SB
2	Pink	CN3-1	IGN
3	Black	CN2-3	GND
4	Brown	CN3-3	DETO
5	Orange	CN3-2	DATAI
6	Yellow	CN2-8	FNC4
7	Green	CN2-7	FNC3
8	Blue	CN2-9	FNC5
9	Purple	CN2-12	FNC8
10	Gray	CN2-10	FNC6
11	White	CN2-11	FNC7
12	NC	NC	
13	NC	NC	
14	Sky blue	CN2-6	FNC2
15	Turquoise	CN2-5	FNC1

9. After everything has been properly mounted, the KCT-39 sumi tube should look similar to that as shown in the diagram below.

Exterior back view of KCT-39



## REALIGNMENT / INSTALLATION

### 7. Ignition Sense Cable (KCT-18)

The KCT-18 is an optional cable for enabling the ignition function. The ignition function lets you turn the power to the transceiver on and off with the car ignition key.

#### 7-2. Connecting the KCT-18 to the Transceiver

1. Install the KCT-39 in the transceiver. (See the KCT-39 section)
2. Insert the KCT-18 lead terminal (❶) into pin 2 of the KCT-39 (❷).

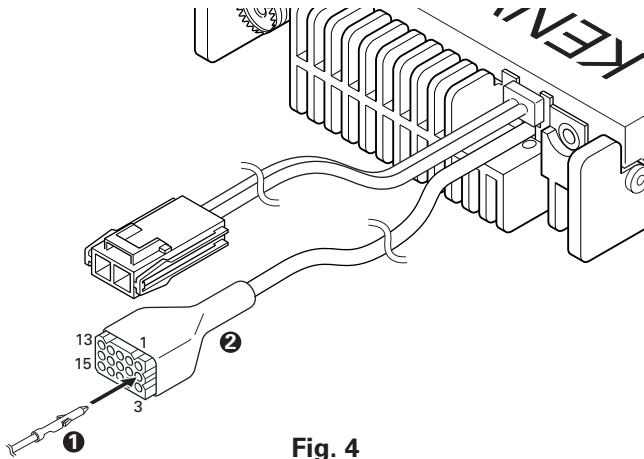


Fig. 4

#### 7-3. Modifying the Transceiver

Modify the transceiver as follows to turn the power on and off with the ignition key.

1. Remove the resistor R71 of the TX-RX unit.

#### ■ Setting With the KPG-80D

Select "External Devices" from the "Edit" menu and enable the "Ignition Sense".

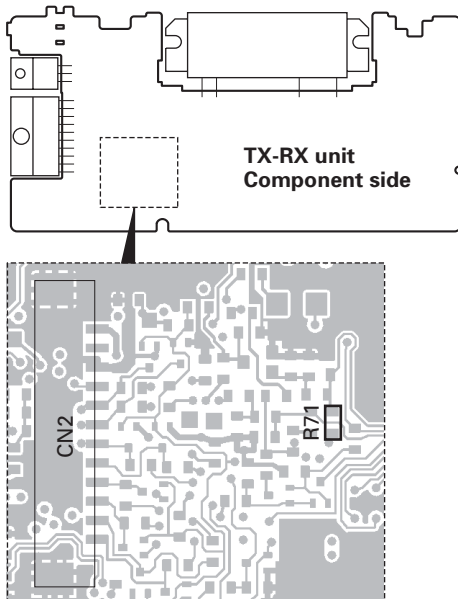


Fig. 5

### 1. Optional Board

#### 1-1. Voice Scrambler Board Connection

##### ■ Modification

1. Remove the cabinet and shielding cover from the transceiver.
2. Delete R202 and R267 on the TX-RX unit.

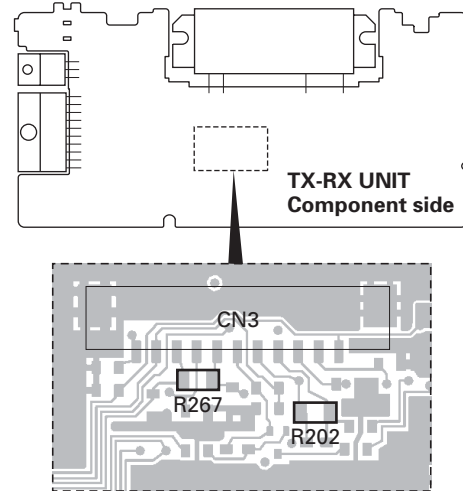


Fig. 1

##### ■ Connection

The functions of pins of CN2 and CN3 on the TX-RX unit are shown in the TERMINAL FUNCTION section (page 50).

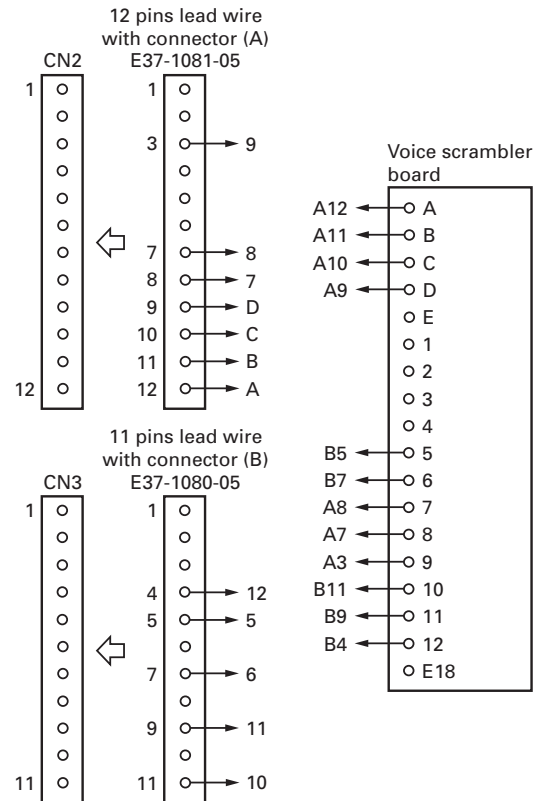


Fig. 2

## INSTALLATION

### ■ Pins Connection

Voice scrambler functions	12 pins lead wire with connector (A)	11 pins lead wire with connector (B)
A	A-12	-
B	A-11	-
C	A-10	-
D	A-9	-
5	-	B-5
6	-	B-7
7	A-8	-
8	A-7	-
9	A-3	-
10	-	B-11
11	-	B-9
12	-	B-4

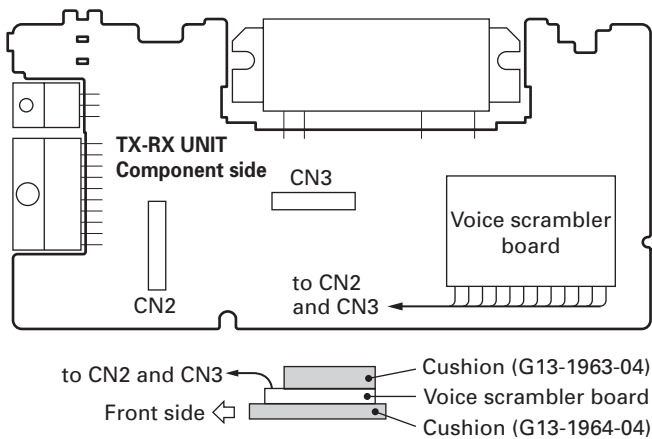


Fig. 3

### ■ Setting With the KPG-80D

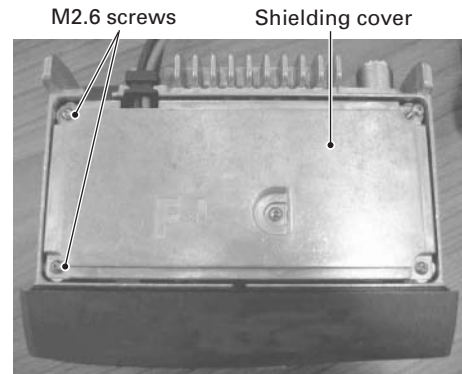
Select "External Devices" from the "Edit" menu and set the "Scrambler".

#### Note :

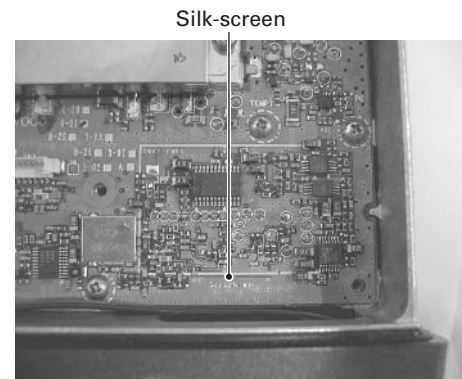
The voice scrambler board is connected subsequent to the de-emphasis circuit.

### 2. SmarTrunk

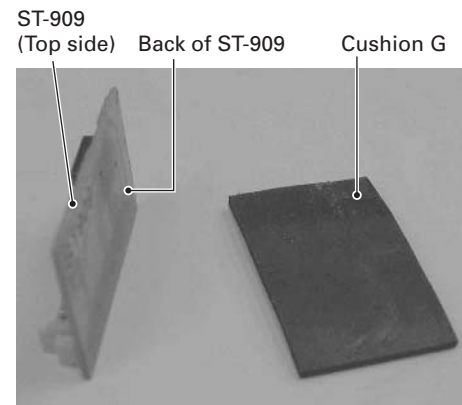
1. Unscrew the five M2.6 screws (N87-2614 -46), then remove the shielding cover (F10-2491-03).



2. The SmarTrunk Board is to be mounted in the silk-screened area.

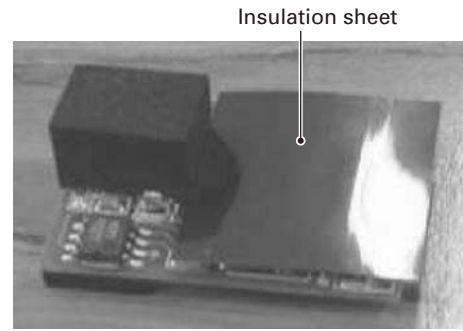
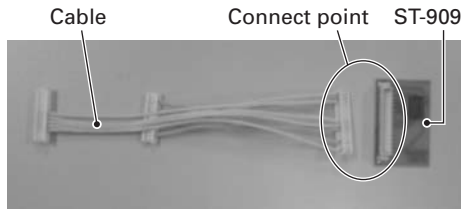


3. Adhere one side of the 27 x 17.5 x 1mm cushion G (G13-2005 -04) to the underside of the ST-909.

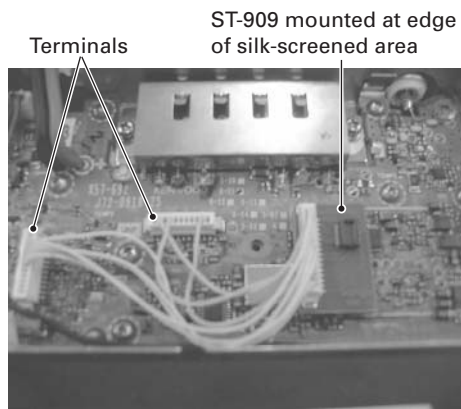


## INSTALLATION

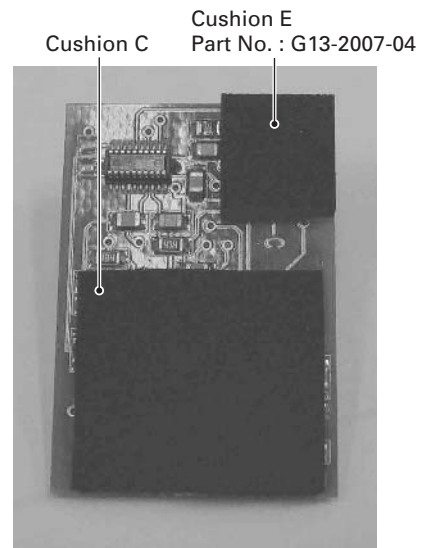
4. Connect the cable (E37 -1117 -05) to the topside of the ST-909.



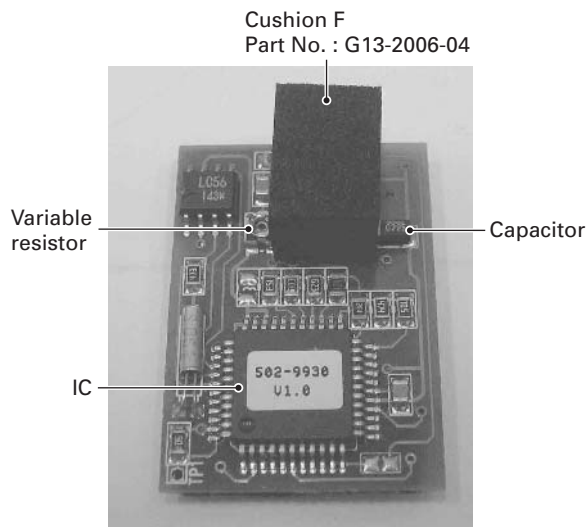
5. Mount the ST-909 onto the TX-RX PCB using the adhesive cushion on the underside of the ST-909, onto the left edge of the silk-screen area. Connect the cables to the two terminals.



7. Adhere the 10 x 10 x 2.5 mm cushion E (G13-2007 -04) and the supplied 20 x 20 x 1mm cushion C to the underside of the ST-865KW4 as shown in the diagram below.



6. Adhere the 13 x 9 x 8 mm cushion F (G13-2006-04) to the top side of the ST-865KW4, between the variable resistor (R18) and the capacitor (C19), then place the supplied insulation sheet over the integrated circuit (IC).



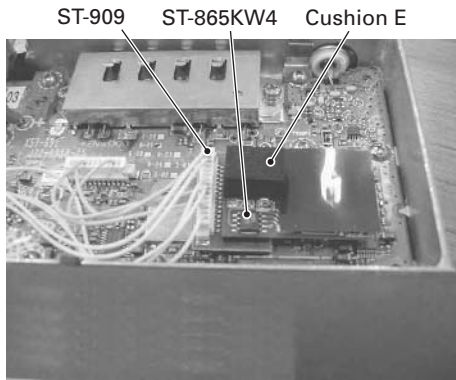
### Note :

- For the SmarTrunk option, cushion C and the insulation sheet are included in the package.
- For TK-7100 & TK-8100 series, cushion A is not used. Cushion A is replaced by cushion F.
- Cushion B is replaced by cushion E.

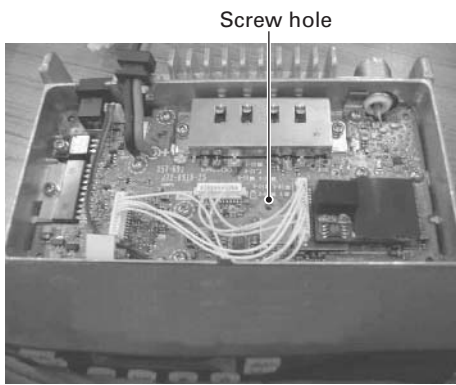
# TK-7100

## INSTALLATION / DISASSEMBLY FOR REPAIR

- Align the connector on the underside of the ST-865KW4 with the connector on the top side of the ST-909, then press down on cushion E to secure them.



- Flatten the cable so as to avoid potential damage when mounting the shielding cover. Mount the shielding cover and secure it with the five M2.6 screws.



### Note :

- ST-909 and ST-865KW4 are available from SmarTrunk Systems, Inc.

### ■ Setting With the KPG-80D

Select "External Devices" from the "Edit" menu and set the "SmarTrunk".

- When you remove the panel, turn the transceiver up side down. Detach the panel by lifting the tabs as shown below.

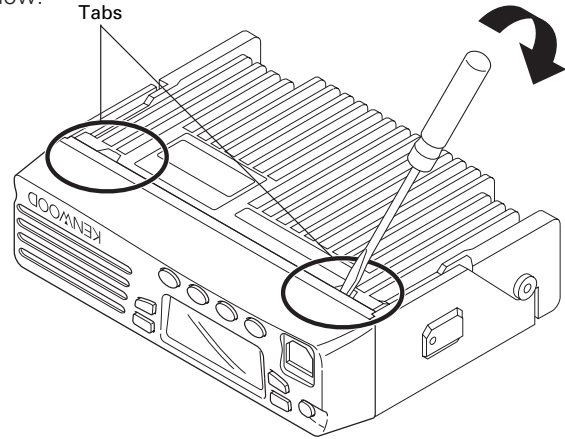


Fig. 1

- To remove the cabinet, first turn the transceiver up side down. Detach the cabinet by prying the tabs as shown below.

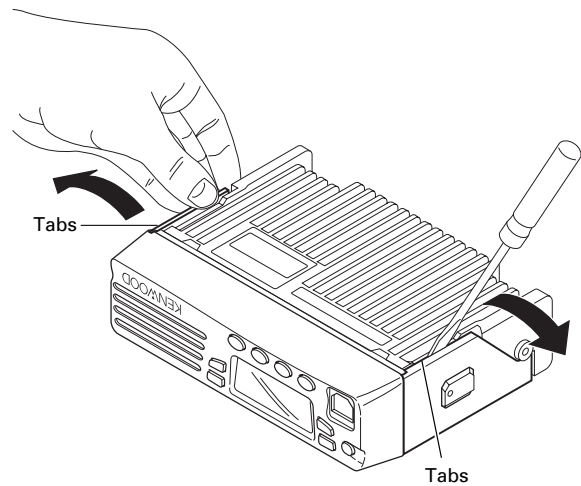


Fig. 2

- When mounting the front panel, match the 4 tabs of the chassis with the panel, being sure they attach securely.

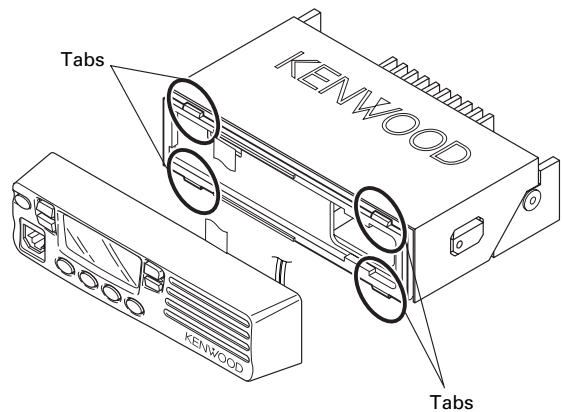
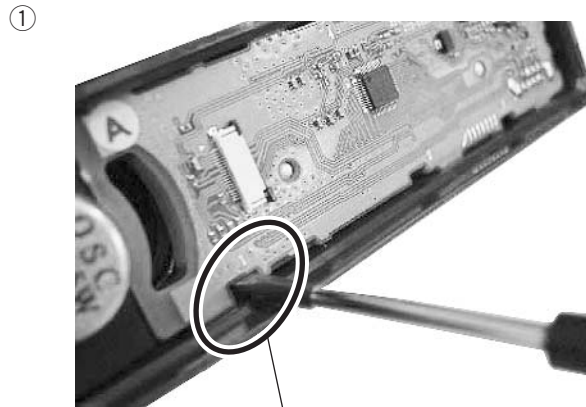


Fig. 3

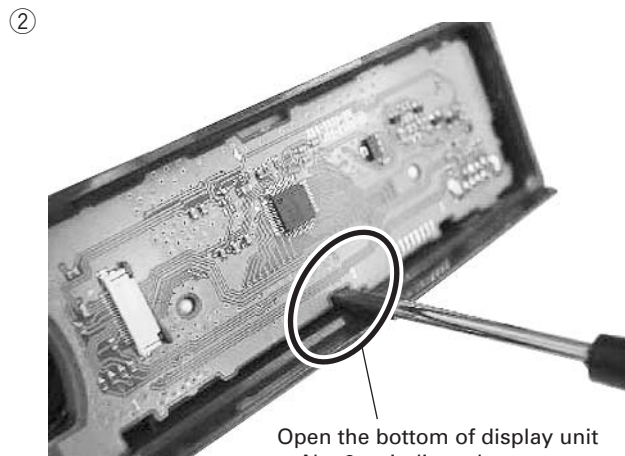
## DISASSEMBLY FOR REPAIR

### 4-1. Remove the display unit

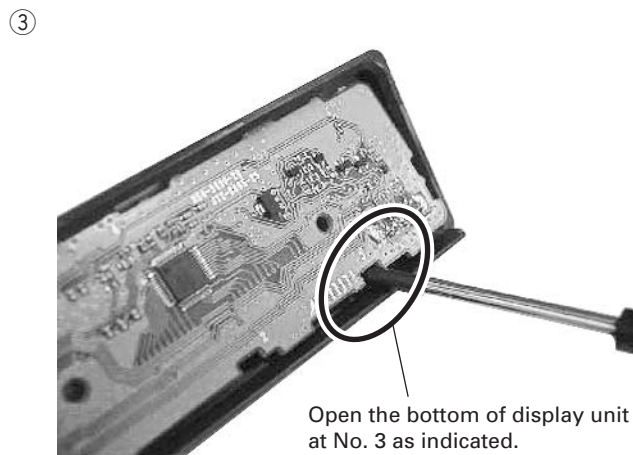
To remove the display unit from the panel, follow the correct procedures shown (A regular screw driver is needed as illustrated).



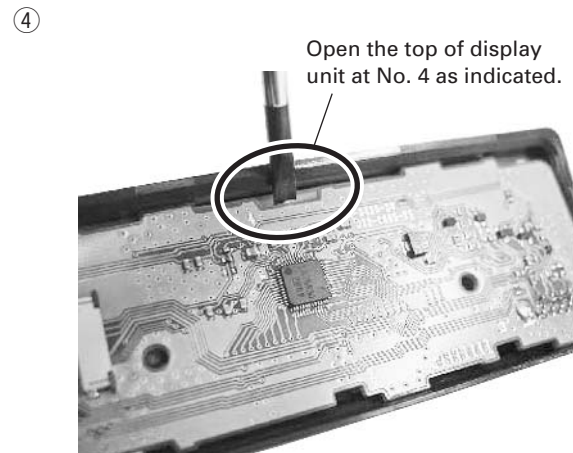
Open the bottom of display unit at No. 1 as indicated.



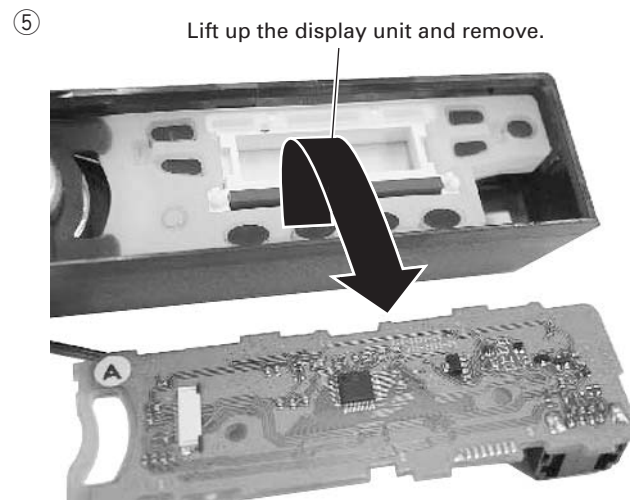
Open the bottom of display unit at No. 2 as indicated.



Open the bottom of display unit at No. 3 as indicated.



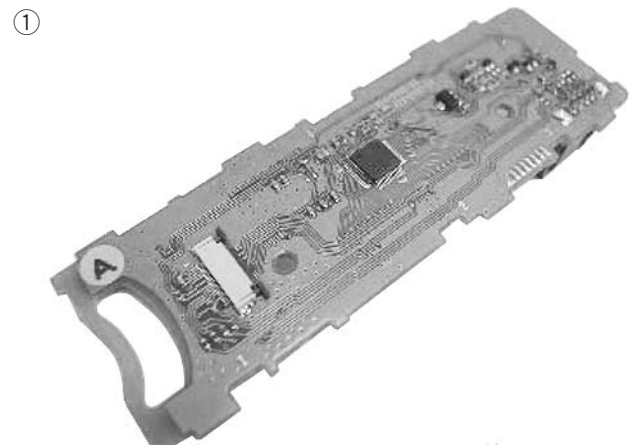
Open the top of display unit at No. 4 as indicated.



Lift up the display unit and remove.

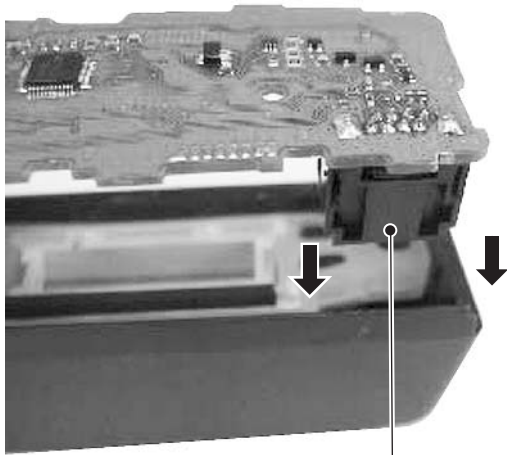
### 4-2. Mount the display unit

To mount the display unit on the panel, follow the correct procedures shown to ensure easy display unit assembly and good fitting onto the panel.



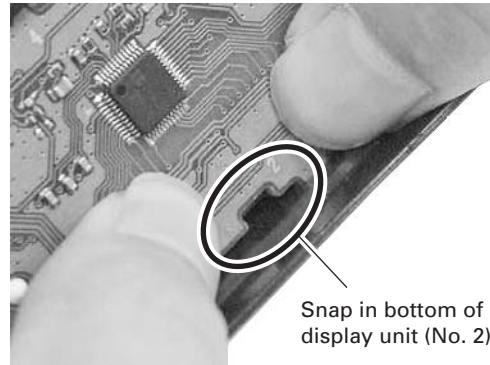
## DISASSEMBLY FOR REPAIR

②



Insert phone jack into panel first.

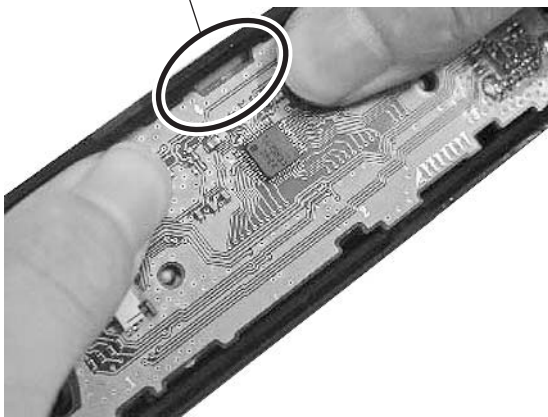
⑤



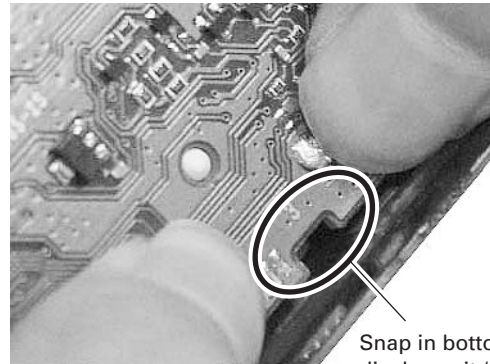
Snap in bottom of display unit (No. 2).

③

Snap in top of display unit (No. 4).

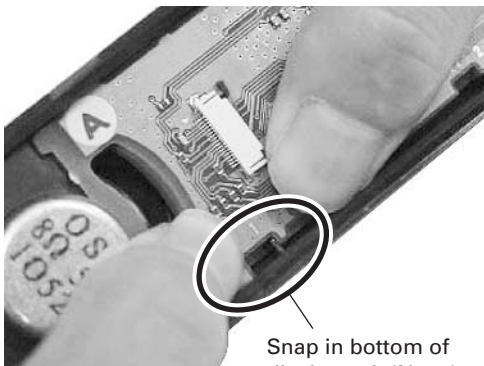


⑥



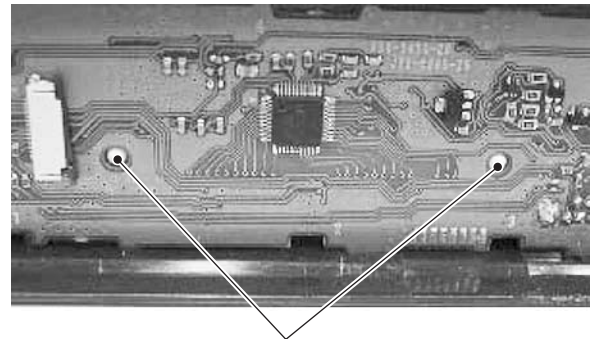
Snap in bottom of display unit (No. 3).

④



Snap in bottom of display unit (No. 1).

⑦



Ensure that display unit holes locator is properly located on the illumination guide locators as shown.

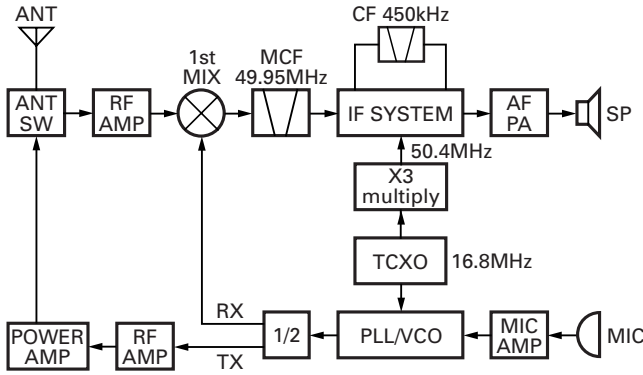


## CIRCUIT DESCRIPTION

### Frequency Configuration

The receiver utilizes double conversion. The first IF is 49.95MHz and the second IF is 450kHz. The first local oscillator signal is supplied from the PLL circuit.

The PLL circuit in the transmitter generates the necessary frequencies. Figure 1 shows the frequencies.



**Fig. 1 Frequency configuration**

### Receiver System

The receiver is double conversion superheterodyne. The frequency configuration is shown in Figure 1.

#### ■ Front-end RF Amplifier

An incoming signal from the antenna is applied to an RF amplifier (Q353) after passing through a transmit/receive switch circuit (D603, D604 are off) and a band pass filter (L357, L356 and varactor diodes : D353, D354). After the signal is amplified (Q353), the signal is filtered through a band pass filter (L354, L355 and varactor diodes: D351, D352) to eliminate unwanted signals before it is passed to the first mixer.

The voltage of these diodes are controlled by tracking the CPU (IC101) center frequency of the band pass filter. (See Fig. 2)

#### ■ First Mixer

The signal from the RF amplifier is heterodyned with the first local oscillator signal from the PLL frequency synthesizer circuit at the first mixer (Q352) to create a 49.95MHz first intermediate frequency (1st IF) signal. The first IF signal is then fed through one pair of monolithic crystal filter (MCF : XF351) to further remove spurious signals.

#### ■ IF Amplifier

The first IF signal is amplified by Q351, and the enters IC301 (FM processing IC). The signal is heterodyned again with a second local oscillator signal within IC301 to create a 450kHz second IF signal. The second IF signal is then fed through a 450kHz ceramic filter (Wide : CF301, Narrow : CF302) to further eliminate unwanted signals before it is amplified and FM detected in IC301.

Item	Rating
Nominal center frequency	49.95MHz
Pass bandwidth	±5.0kHz or more at 3dB
35dB stop bandwidth	±20.0kHz or less
Ripple	1.0dB or less
Insertion loss	5.0dB or less
Guaranteed attenuation	80dB or more at fo±1MHz Spurious : 40dB or more within fo±1MHz
Terminal impedance	350Ω / 5.5pF

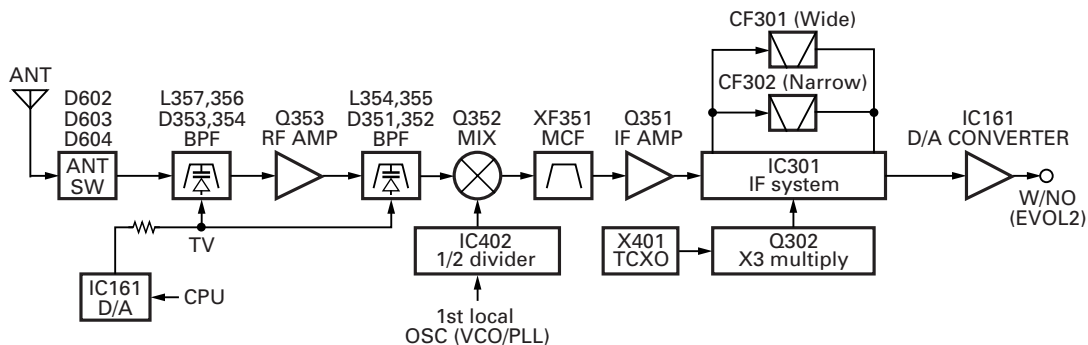
**Table 1 Crystal filter (L71-0591-05) : XF351**

Item	Rating
Nominal center frequency	450kHz
6dB bandwidth	±6.0kHz or more
50dB bandwidth	±12.5kHz or less
Ripple	2.0dB or less
Insertion loss	6.0dB or less
Guaranteed attenuation	35.0dB or more within fo±100kHz
Terminal impedance	2.0kΩ

**Table 2 Ceramic filter (L72-0993-05) : CF301**

Item	Rating
Nominal center frequency	450kHz
6dB bandwidth	±4.5kHz or more
50dB bandwidth	±10.0kHz or less
Ripple	2.0dB or less
Insertion loss	6.0dB or less
Guaranteed attenuation	60.0dB or more within fo±100kHz
Terminal impedance	2.0kΩ

**Table 3 Ceramic filter (L72-0999-05) : CF302**



**Fig. 2 Receiver system**

## CIRCUIT DESCRIPTION

### Wide/Narrow Switching Circuit

The Wide port (pin 65) and Narrow port (pin 64) of the CPU is used to switch between ceramic filters. When the Wide port is high, the ceramic filter SW diodes (D303, D302) cause CF301 to turn on to receive a Wide signal.

When the Narrow port is high, the ceramic filter SW diodes (D303, D302) cause CF302 to turn on to receive a Narrow signal.

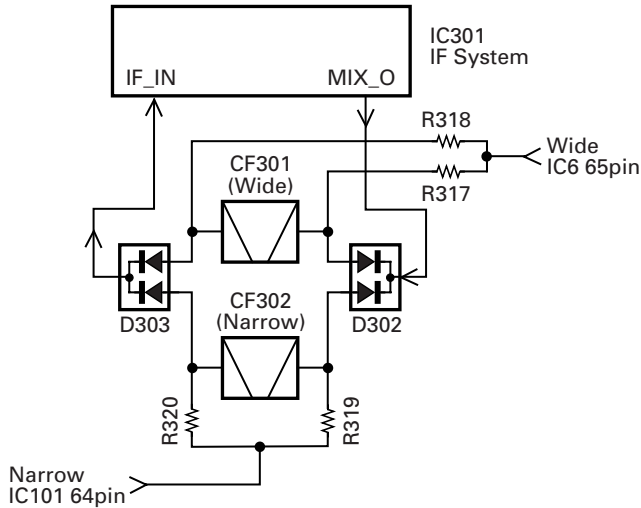


Fig. 3 Wide/Narrow switching circuit

### AF Signal System

The detection signal from IF IC (IC301) goes to D/A converter (IC161) to adjust the gain and is output to AF filter (IC251) for characterizing the signal. The AF signal output from IC251 and the DTMF signal, BEEP signal are summed and the resulting signal goes to the D/A converter (IC161). The AFO output level is adjusted by the D/A converter. The signal output from the D/A converter is input to the audio power amplifier (IC252). The AF signal from IC252 switches between the internal speaker and speaker jack (J1) output.

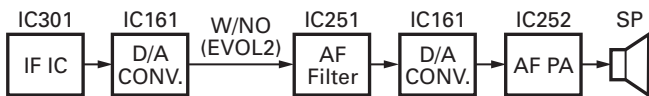


Fig. 4 AF signal system

### Squelch Circuit

The detection output from the FM IF IC (IC301) passes through a noise amplifier (Q301) to detect noise. A voltage is applied to the CPU (IC101). The CPU controls squelch according to the voltage (SQIN) level. The signal from the RSSI pin of IC301 is monitored. The electric field strength of the receive signal can be known before the SQIN voltage is input to the CPU, and the scan stop speed is improved.

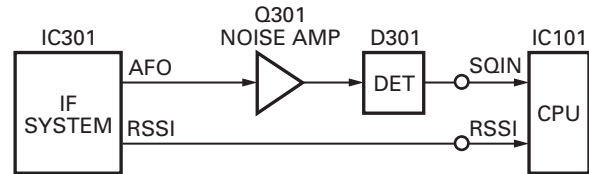


Fig. 5 Squelch circuit

### PLL Frequency Synthesizer

The PLL circuit generates the first local oscillator signal for reception and the RF signal for transmission.

#### PLL

The frequency step of the PLL circuit is 5 or 6.25kHz. A 16.8MHz reference oscillator signal is divided at IC401 by a fixed counter to produce the 5 or 6.25kHz reference frequency. The voltage controlled oscillator (VCO) output signal is buffer amplified by Q410, then divided in IC401 by a dual-module programmable counter. The divided signal is compared in phase with the 5 or 6.25kHz reference signal in the phase comparator in IC401. The output signal from the phase comparator is filtered through a low-pass filter and passed to the VCO to control the oscillator frequency. (See Fig. 6)

#### VCO

The operating frequency is generated by Q406 in transmit mode and Q405 in receive mode. The oscillator frequency is controlled by applying the VCO control voltage, obtained from the phase comparator, to the varactor diodes (D405 and D406 in transmit mode and D403 and D404 in receive mode). The TX/RX pin is set low in receive mode causing Q408 and Q407 to turn Q406 off, and turn Q405 on. The TX/RX pin is set high in transmit mode. The outputs from Q405 and Q406 are amplified by Q410 and sent to the RF amplifiers.

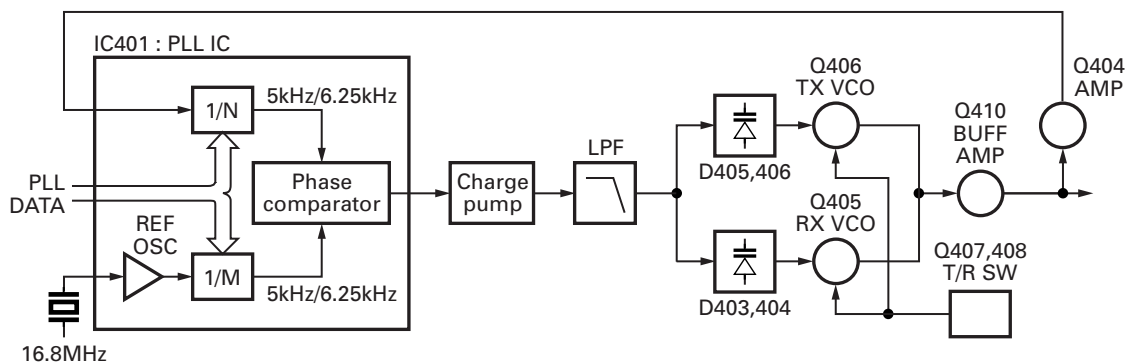


Fig. 6 PLL circuit

## CIRCUIT DESCRIPTION

### ■ Unlock Circuit

During reception, the 8RC signal goes high, the 8TC signal goes low, and Q34 turns on. Q33 turns on and a voltage is applied to the collector (8R). During transmission, the 8RC signal goes low, the 8TC signal goes high and Q36 turns on. Q35 turns on and a voltage is applied to 8T.

The CPU in the control unit monitors the PLL (IC401) LD signal directly. When the PLL is unlocked during transmission, the PLL LD signal goes low. The CPU detects this signal and makes the 8TC signal low. When the 8TC signal goes low, no voltage is applied to 8T, and no signal is transmitted.

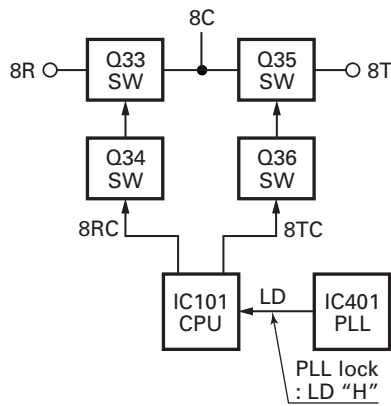


Fig. 7 Unlock circuit

### Transmitter System

#### ■ Outline

The transmitter circuit produces and amplifies the desired frequency directly. It FM-modulates the carrier signal by means of a varicap diode.

#### ■ Power Amplifier Circuit

The transmit output signal from the VCO passes through the transmission/reception selection diode (D409) and amplified by Q501 and Q502. The amplified signal goes to the power amplifier (IC502) through a low-pass filter. The low-pass filter removes unwanted high-frequency harmonic components, and the resulting signal is goes the antenna terminal.

#### ■ APC Circuit

The automatic transmission power control (APC) circuit detects the power amplifier (IC502) output with a diode (D606, D607) and applies a voltage to IC501. IC501 compares the APC control voltage (PC) generated by the D/A converter (IC161) and DC amplifier (IC203) with the detection output voltage. IC501 generates the voltage to control IC502 and stabilizes transmission output.

The APC circuit is configured to protect over current of IC502 due to fluctuations of the load at the antenna end and to stabilize transmission output at voltage and temperature variations.

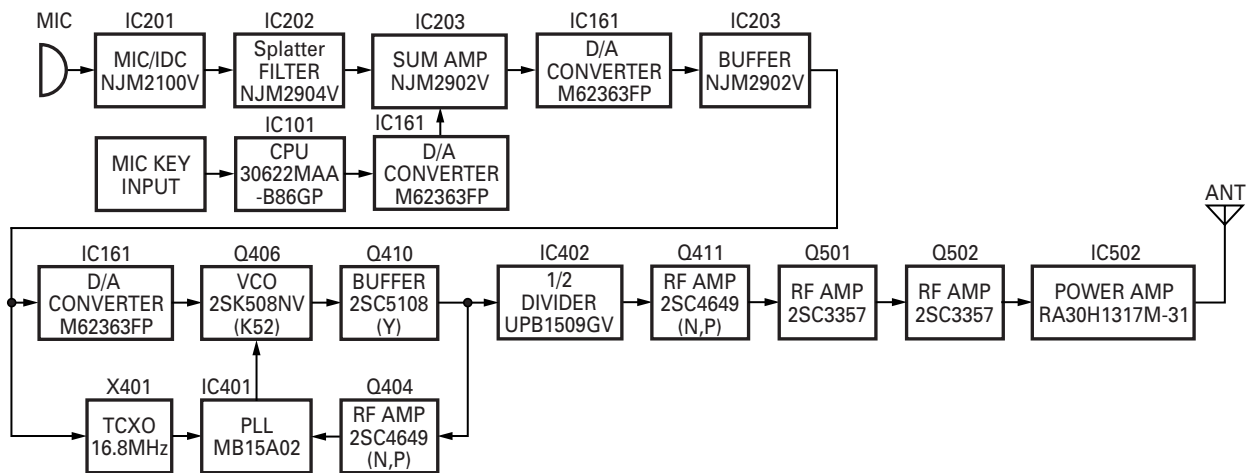


Fig. 8 Transmitter system

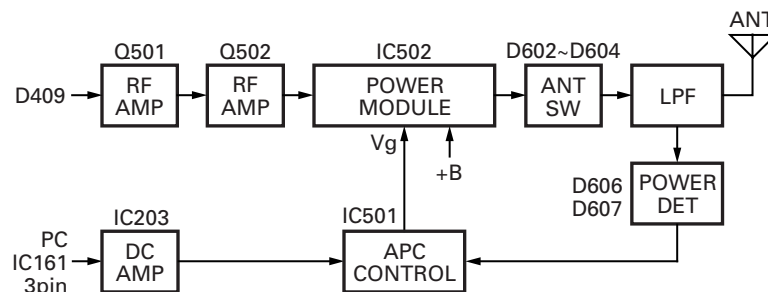


Fig. 9 APC circuit

## CIRCUIT DESCRIPTION

### Control Circuit

The CPU carries out the following tasks:

- 1) Controls the WIDE, NARROW, TX/RX outputs.
- 2) Adjusts the AF signal level of the AF filter (IC251) and turns the filter select compounder on or off.
- 3) Controls the display unit.
- 4) Controls the PLL (IC401).
- 5) Controls the D/A converter (IC161) and adjusts the volume, modulation and transmission power.

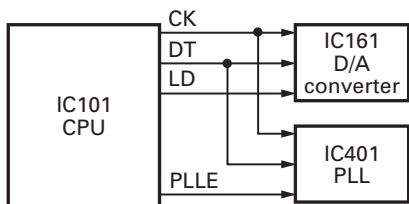


Fig. 10 Control circuit

### Memory Circuit

The transceiver has a 64k-bit EEPROM (IC66). The EEPROM contains adjustment data. The CPU (IC101) controls the EEPROM through three serial data lines.

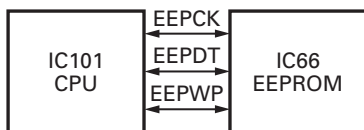


Fig. 11 Memory circuit

### Display Circuit

The CPU (IC101) controls the display LCD and LEDs. When power is on, the CPU will use the MBL line to control the LCD illumination and key backlight LEDs.

The dimmer function is controlled by the switch Q11. The LCD controller (IC2) controls the functions of the LCD through the CE, CK, DI lines from the CPU.

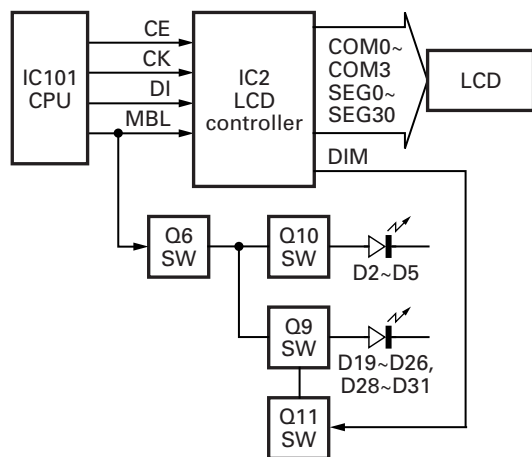


Fig. 12 Display circuit

### Key Matrix Circuit

The TK-7100 front panel has function keys. Each of them is connected to a cross point of a matrix of the KMI1 to KMO2 ports of the microprocessor. The KMO1 to KMO2 ports are always high, while the KMI1 to KMI4 ports are always low.

The microprocessor monitors the status of the KMI1 to KMO2 ports. If the state of one of the ports changes, the microprocessor assumes that the key at the matrix point corresponding to that port has been pressed.

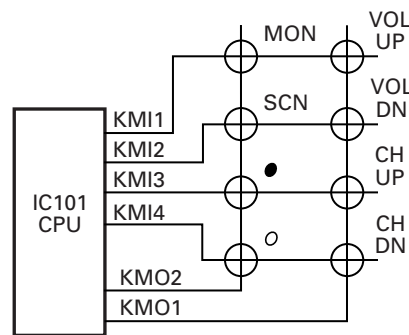


Fig. 13 Key matrix circuit

### Encode

The QT and DQT signals are output from QT/DQT of the CPU (IC101) and summed with the external pin DI line by the summing amplifier (IC203) and the resulting signal goes to the D/A converter (IC161). The DTMF signal is output from DTMF of the CPU and goes to the D/A converter (IC161). The signal is summed with a MIC signal by the summing amplifier (IC203), and the resulting signal goes to the D/A converter (IC161).

The D/A converter (IC161) adjusts the MO level and the balance between the MO and QT/DQT levels. Part of a QT/DQT signal is summed with MO and the resulting signal goes to the VCOMOD pin of the VCO. This signal is applied to a varicap diode in the VCO for direct FM modulation.

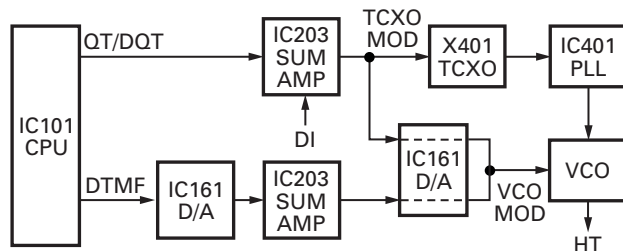


Fig. 14 Encode

## CIRCUIT DESCRIPTION

### ■ Decode

#### • QT/DQT/DTMF

The signal (W/NO (EVOL2)) goes to SIGNAL (pin 88) of CPU (IC101). The QT/DQT signal will pass through the low-pass filters in the CPU (IC101) and be decoded within the CPU (IC101). The DTMF signal will be decoded within the CPU (IC101).



Fig. 15 Decode

### ■ D/A Converter

The D/A converter (IC161) is used to adjust MO modulation, AF volume, TV voltage, FC reference voltage, and PC POWER CONTROL voltage level.

Adjustment values are sent from the CPU as serial data. The D/A converter has a resolution of 256 and the following relationship is valid:

$$\text{D/A output} = (\text{Vin} - \text{VDAREF}) / 256 \times n + \text{VDAREF}$$

Vin: Analog input

VDAREF: D/A reference voltage

n: Serial data value from the microprocessor (CPU)

### Power Supply Circuit

When the power switch on the display unit is pressed, the power port on the display unit which is connected port 17 (POWER), goes low, then port 82 (SBC) goes high, Q32 turns on, SB SW (Q31) turns on and power (SB) is supplied to the radio.

When the DC power supplied to the radio, the voltage regulator IC (IC33) supply into the CPU VDD and reset voltage detect IC (IC34). IC34 will generate signal (RESET) in to the reset terminal on the CPU (IC101) to carry out a power ON reset. Also, CPU (IC101) is checking on port 91 (Battery Voltage). If DC power is less than about 9.5V, the radio is unable to power on.

When the DC power voltage decreases from normal voltage, the INT voltage detector IC (IC35) will set to high on CPU port 18 (INT) if B line will became less than about 9.5V. Then CPU send to EEPROM (IC66) the backup data and go into STOP mode.

This circuit has an overvoltage protection circuit. If a DC voltage of 18V or higher is applied to the base of Q61, this voltage turns Q61 on and turns Q32 and SB off.

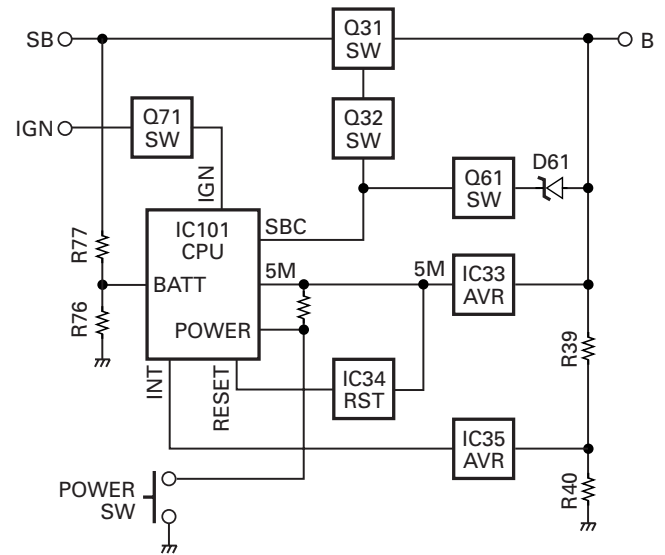


Fig. 16 Power supply circuit

## SEMICONDUCTOR DATA

## Microprocessor : 30622MAA-B86GP (TX-RX Unit IC101)

## ■ Terminal Function

Pin No.	Name	I/O	Function
1	QT/DQT	O	QT/DQT output.
2	DTMF/MSK	O	DTMF/MSK/BEEP output
3	PLLE	O	PLL IC chip select.
4,5	NC	I	
6	GND	-	GND.
7	CNVSS	-	CNVss for flash.
8	EVLDD	O	E-volume LD.
9	BSHIFT	O	Beat shift.
10	RESET	-	Reset.
11	XOUT	-	X'tal (14.318MHz).
12	VSS	-	GND.
13	XIN	-	X'tal (14.318MHz).
14	VCC	-	+5V.
15	GND	-	GND (Input only).
16	NC	I	
17	POWER	I	Power key input.
18	INT	I	μcom stop.
19	NC	I	
20	TX/RX	O	TX/RX.
21	UL	O	PLL unlock detect.
22~25	NC	I	
26	EEPWP	O	EEPROM write protect
27	EEPCK	O	EEPROM clock (N ch open drain).
28	EEPDT	I/O	EEPROM data (N ch open drain).
29	FNC1	I/O	Function P1/TxD for flash.
30	FNC2	I/O	Function P2/RxD for flash.
31	CLKFLS	I	SCLK for flash.
32	BSYFLS	O	Busy for flash.
33	TXD	O	To FPU.
34	RXD	I	From FPU.
35	PTT	I	PTT key.
36	HOOK	I	Hook.
37,38	NC	I	
39	EMPFLS	I/O	EPM for flash.
40~42	NC	I	
43	FNC3	I/O	Function port 3.
44	CEFLS	I/O	CE for flash.
45,46	FNC4, FNC5	I/O	Function port 4, 5
47,48	FNC7, FNC6	I/O	Function port 7, 6.
49	FNC8	I/O	Function port 8.
50	AFM	O	AF mute.
51	SPM	O	Speaker mute.

Pin No.	Name	I/O	Function
52	AMPSW	O	AF AMP switch.
53	DT	O	Common data.
54	CK	O	Common clock.
55,56	NC	I	
57~59	DST1~DST3	I	Destination 1~3
60	VCC	-	+5V.
61	NC	I	
62	VSS	-	GND.
63	NC	I	
64	NARROW	O	
65	WIDE	O	
66~68	NC	I	
69	CL	O	Clock for LCD.
70	CE	O	Chip enable for LCD.
71	DI	O	Transfer data to LCD.
72	IGN	I	Ignition.
73	MICMT1	O	Mic 1 mute.
74	MICEM	O	Mic 2 mute.
75	MICMT2	O	Mic 3 mute.
76	8RC	O	8R control.
77	8TC	O	8T control.
78	CM	I/O	Mic key check.
79~81	NC	I	
82	SBC	O	Battery switch.
83	KMI2	I	Key matrix 2.
84	KMI1	I	Key matrix 1.
85	KMI3	I	Key matrix 3.
86	KMI4	I	Key matrix 4.
87	NC	I	
88	SIGNAL	I	DTMF/QT/DQT input.
89	TEMP2	I	Temperature 2.
90	TEMP1	I	Temperature 1.
91	BATT	I	Battery voltage.
92	RSSI	I	RSSI input.
93	SQIN	I	Squelch input.
94	AVSS	-	GND.
95	NC	I	
96	VREF	-	+5V.
97	AVCC	-	+5V.
98	NC	I	
99	KMO1	O	Key matrix output 1.
100	KMO2	O	Key matrix output 2.

## COMPONENTS DESCRIPTION

### Display Unit (X54-3430-20)

Ref. No.	Parts name	Description
IC2	IC	LCD controller
Q6	Transistor	DC switch
Q9	Transistor	LCD backlit switch
Q10	Transistor	Key backlit switch
Q11	Transistor	Dimmer function switch
D2~5	LED	Key & LCD backlit
D17	Diode	DC switch
D18	Diode	DC controller
D19~26	LED	Key & LCD backlit
D27	Diode	Surge absorption
D28~31	LED	Key & LCD backlit

### TX-RX Unit (X57-6910-XX)

Ref. No.	Parts name	Description
IC31	IC	Voltage regulator (8C)
IC32	IC	Voltage regulator (5C)
IC33	IC	Voltage regulator (5M)
IC34	IC	Voltage detector reset
IC35	IC	Voltage detector int
IC66	IC	EEPROM
IC101	IC	CPU
IC161	IC	Digital potentiometer
IC201	IC	MIC amplifier / IDC
IC202	IC	MIC amplifier / Splatter filter
IC203	IC	Buffer amplifier / SUM amplifier / DC amplifier / 1/2 Vcc
IC251	IC	Audio filter
IC252	IC	Audio amplifier
IC301	IC	FM demodulation
IC401	IC	PLL synthesizer
IC402	IC	Divider (Hetero)
IC501	IC	APC controller
IC502	IC	Power module
Q1	FET	TX AF
Q31	Transistor	DC switch (SB) / Active when power is on
Q32	FET	DC switch (SB) / Active when power is on
Q33,34	Transistor	DC switch (8R) / Active while RX
Q35,36	Transistor	DC switch (8T) / Active while TX
Q61	Transistor	Over voltage detection / Active when PS voltage is more than 18V
Q71	Transistor	Ignition / Ignition sens
Q86,87	Transistor	Beat shift / Active while beat shift is on
Q201	Transistor	AF amplifier / MIC mute / Emergency MIC mute
Q202	FET	Emergency MIC mute / Active when MICEM is H

Ref. No.	Parts name	Description
Q251	Transistor	Buffer amplifier / RX audio
Q252,253	FET	AF mute / Active while AFM is H
Q254	Digital transistor	AF mute / Active while SPM is H
Q255	Transistor	AF mute / Active while AMPSW is H
Q301	Transistor	Noise amplifier / SQL amplifier
Q302	Transistor	Buffer amplifier / 16.8MHz 3rd over tone
Q351	Transistor	IF amplifier
Q352	FET	Mixer
Q353	FET	RF amplifier / LNA
Q354	Transistor	PC/TV SW
Q402,403	Transistor	Charge pump
Q404	Transistor	RF amplifier / PLL F in
Q405	FET	RX VCO
Q406	FET	TX VCO
Q407	FET	T/R switch
Q408	Transistor	T/R switch
Q410	Transistor	Buffer amplifier / Output of VCO
Q411	Transistor	RF amplifier / Output of VCO
Q440	Transistor	Lipple filter
Q501,502	Transistor	RF amplifier
D1	Diode	Surge absorption / CM
D2	Diode	Surge absorption / HOOK
D3	Diode	Surge absorption / PTT
D4~11	Diode	Surge absorption / FNC1~8
D31	Diode	Reverse connection protection
D32	Poly switch	Current protection
D61	Diode	Over voltage detection
D201	Diode	OR gate / MIC mute, AGC
D202	Diode	AGC
D251	Diode	Limiter
D301	Diode	Detection
D302,303	Diode	IF switch (Wide/Narrow)
D351~354	Varicap	RF BPF tuning
D401	Diode	Lipple filter
D402	Diode	Voltage dropped
D403,404	Varicap	RX VCO
D405,406	Varicap	TX VCO
D407	Varicap	Modulation
D408	Diode	Lipple filter
D409	Diode	RF switch (TX/RX)
D501,502	Diode	Temperature compensation
D503	Diode	Voltage protection
D602~604	Diode	ANT switch
D606,607	Diode	APC voltage detect
D608,609	Diode	Temperature compensation

# TK-7100

## PARTS LIST

\* New Parts.  $\Delta$  indicates safety critical components.

Parts without **Parts No.** are not supplied.

Les articles non mentionnés dans le **Parts No.** ne sont pas fournis.

Teile ohne **Parts No.** werden nicht geliefert.

L : Scandinavia

Y : PX (Far East, Hawaii)

Y : AAFES (Europe)

K : USA

T : England

X : Australia

P : Canada

E : Europe

M : Other Areas

### TK-7100, DISPLAY UNIT (X54-3430-20)

#### TX-RX UNIT (X57-6910-XX)

Ref. No.	Address	New parts	Parts No.	Description	Destination
<b>TK-7100</b>					
1	1B		A01-2178-02	CABINET	
2	3B	*	A10-4080-01	CHASSIS	
3	3A		A62-1074-03	PANEL ASSY	
5	3A		B11-1299-02	ILLUMINATION GUIDE (LCD)	
6	3A		B38-0878-05	LCD	
7	2C	*	B62-1778-00	INSTRUCTION MANUAL	
7	2C	*	B62-1779-00	INSTRUCTION MANUAL	M2,K
8	3B	*	B72-2235-04	MODEL NAME PLATE	M
8	3B	*	B72-2236-04	MODEL NAME PLATE	M2
8	3B	*	B72-2237-04	MODEL NAME PLATE	K
10	3B		E04-0167-05	RF COAXIAL PECEPTACLE (M)	
11	3A	*	E29-1197-15	INTER CONNECTOR (LCD)	
12	1C		E30-3339-05	DC CORD ACCESSORY	
13	2B		E30-3448-05	DC CORD (RADIO)	
14	3A		E37-0962-05	SPEAKER CABLE	
15	2A		E37-1041-05	FLAT CABLE (TX/RX-DISPLAY)	
-			E37-1080-05	PROCESSED CABLE (B)	
-			E37-1081-05	PROCESSED CABLE (A)	
-		*	E37-1117-05	PROCESSED CABLE	
20	2B		F10-2414-03	SHIELDING PLATE (POWER MODULE)	
21	2B	*	F10-2491-02	SHIELDING COVER (TX/RX)	
22	2B	*	F10-2498-03	SHIELDING CASE (POWER MODULE)	
23	1C		F51-0016-05	FUSE (6*30) ACCESSORY	
25	2B		G02-0887-03	EARTH SPRING (ANTENNA TERMINAL)	
26	2B		G10-0792-14	FIBROUS SHEET (POWER MODULE)	
-		*	G13-1963-04	CUSHION	
-		*	G13-1964-04	CUSHION	
30	3B	*	G13-2003-04	CUSHION (DC CORD)	
-		*	G13-2005-04	CUSHION (G)	
-		*	G13-2006-04	CUSHION (F)	
-		*	G13-2007-04	CUSHION (E)	
34	1B		G53-1524-02	PACKING (CABINET)	
35	3B		G53-1525-03	PACKING (PANEL)	
36	2B		G53-1542-03	PACKING	
38	1C		H02-0617-02	INNER PACKING CASE	
39	2D		H10-6636-13	POLYSTYRENE FOAMED FIXTURE	
40	3C		H10-6639-03	POLYSTYRENE FOAMED FIXTURE	
41	1C		H25-0103-04	PROTECTION BAG (125/250/0.07)	
42	2D		H25-2320-04	PROTECTION BAG	
43	3D		H52-1699-12	ITEM CARTON CASE	M
43	D	*	H52-2032-02	ITEM CARTON CASE	M2,K
45	1C		J19-1584-05	MIC HOLDER ACCESSORY	K
46	1D		J29-0662-03	BRACKET ACCESSORY	
48	3A		K29-9262-01	KEY TOP	
A	2B		N67-3008-46	PAN HEAD SEMS SCREW W	
B	2B,3B		N87-2606-46	BRAZIER HEAD TAPTITE SCREW	
C	1B,2B		N87-2614-46	BRAZIER HEAD TAPTITE SCREW	
50	1C		N99-0395-05	SCREW SET ACCESSORY	
52	3A		T07-0739-05	SPEAKER	
53	1D		T91-0624-05	MICROPHONE ACCESSORY	K

Ref. No.	Address	New parts	Parts No.	Description	Destination
<b>DISPLAY UNIT (X54-3430-20)</b>					
D2-5			B30-2205-05	LED (YG)	
D19-26			B30-2205-05	LED (YG)	
D28-31			B30-2205-05	LED (YG)	
C4			CC73GCH1H101J	CHIP C 100PF J	
C6			CK73GB1H103K	CHIP C 0.010UF K	
C15,16			CC73GCH1H101J	CHIP C 100PF J	
C18			CK73FB1A105K	CHIP C 1.0UF K	
C19			CK73GB1H681K	CHIP C 680PF K	
C22,23			CK73GB1H102K	CHIP C 1000PF K	
C24			CK73GB1H103K	CHIP C 0.010UF K	
C25			CK73GB1H102K	CHIP C 1000PF K	
C27,28			CK73GB1H102K	CHIP C 1000PF K	
C30			CK73GB1H103K	CHIP C 0.010UF K	
C31-33			CK73GB1H102K	CHIP C 1000PF K	
CN1			E40-6005-05	FLAT CABLE CONNECTOR	
J1			E08-0877-05	MODULAR JACK	
L1			L92-0138-05	FERRITE CHIP	
CP1			R90-0724-05	MULTI-COMP 1K X4	
R4-9			RK73GB1J102J	CHIP R 1.0K J 1/16W	
R10,11			RK73GB1J272J	CHIP R 2.7K J 1/16W	
R21-23			RK73GB1J103J	CHIP R 10K J 1/16W	
R24			RK73GB1J474J	CHIP R 470K J 1/16W	
R25			RK73GB1J473J	CHIP R 47K J 1/16W	
R26			RK73GB1J392J	CHIP R 3.9K J 1/16W	
R33			RK73FB2A560J	CHIP R 56 J 1/10W	
R34			RK73GB1J101J	CHIP R 100 J 1/16W	
R36			RK73FB2A560J	CHIP R 56 J 1/10W	
R37			RK73GB1J100J	CHIP R 10 J 1/16W	
R38,39			RK73FB2A390J	CHIP R 39 J 1/10W	
R40			RK73FB2A473J	CHIP R 47K J 1/10W	
D17			MA2S111	DIODE	
D18			DA204U	DIODE	
D27			DA221	DIODE	
IC2			LC75834W	MOS IC	
Q6			KRC102S	DIGITAL TRANSISTOR	
Q9			2SB1132(Q,R)	TRANSISTOR	
Q10			KRA225S	DIGITAL TRANSISTOR	
Q11			RN47A4	TRANSISTOR	
<b>TX-RX UNIT (X57-6910-XX) -20 : K,M -21 : M2</b>					
C10			CK73GB1H102K	CHIP C 1000PF K	
C13-23			CK73GB1H471K	CHIP C 470PF K	
C26-28			CK73GB1H221K	CHIP C 220PF K	
C29			CK73GB1H471K	CHIP C 470PF K	
C30			CK73GB1H102K	CHIP C 1000PF K	
C33			CK73GB1H102K	CHIP C 1000PF K	
C34			C92-0721-05	ELECTRO 330UF 25WV	
C35-38			CK73GB1H102K	CHIP C 1000PF K	
C39,40			CK73GB1C104K	CHIP C 0.10UF K	
C41			C92-0795-05	CHIP-TAN 22UF 10WV	



## PARTS LIST

TX-RX UNIT (X57-6910-XX)

Ref. No.	Address	New parts	Parts No.	Description	Desti- nation	Ref. No.	Address	New parts	Parts No.	Description	Desti- nation
C42			CK73GB1H103K	CHIP C 0.010UF K		C258-261			CK73GB1H103J	CHIP C 0.010UF J	
C43-45			C92-0795-05	CHIP-TAN 22UF 10WV		C262			CK73GB1H102K	CHIP C 1000PF K	
C48			CK73GB1A105K	CHIP C 1.0UF K		C263,264			CK73GB1C333K	CHIP C 0.033UF K	
C49,50			CK73GB1H103K	CHIP C 0.010UF K		C265,266			CK73GB1C104K	CHIP C 0.10UF K	
C51			C92-0560-05	CHIP-TAN 10UF 6.3WV		C267			CK73GB1A474K	CHIP C 0.47UF K	
C52,53			CK73GB1H102K	CHIP C 1000PF K		C268			CK73GB1C104K	CHIP C 0.10UF K	
C54,55			CK73GB1C104K	CHIP C 0.10UF K		C269			CK73GB1A105K	CHIP C 1.0UF K	
C56			CK73GB1H102K	CHIP C 1000PF K		C270			C92-0507-05	CHIP-TAN 4.7UF 6.3WV	
C61			CK73GB1H102K	CHIP C 1000PF K		C271			CK73GB1H332K	CHIP C 3300PF K	
C66			CK73GB1H102K	CHIP C 1000PF K		C272			CK73GB1H102K	CHIP C 1000PF K	
C72			CK73GB1H102K	CHIP C 1000PF K		C273			CK73GB1A105K	CHIP C 1.0UF K	
C77,78			CK73GB1H102K	CHIP C 1000PF K		C274			CK73FB1C224K	CHIP C 0.22UF K	
C82			CK73GB1H102K	CHIP C 1000PF K		C275			CK73GB1A105K	CHIP C 1.0UF K	
C83			CK73GB1C104K	CHIP C 0.10UF K		C276,277			CK73GB1H102K	CHIP C 1000PF K	
C87			CC73GCH1H180J	CHIP C 18PF J		C278			CK73GB1C104K	CHIP C 0.10UF K	
C88,89			CC73GCH1H060B	CHIP C 6.0PF B		C279			C92-0516-05	CHIP-TAN 4.7UF 16WV	
C90			CC73GCH1H180J	CHIP C 18PF J		C280			C92-0040-05	CHIP-ELE 47UF 16WV	
C97,98			CK73GB1H102K	CHIP C 1000PF K		C281			CK73GB1H102K	CHIP C 1000PF K	
C101			CK73GB1H102K	CHIP C 1000PF K		C282			C92-0722-05	ELECTRO 470UF 16WV	
C102			CK73GB1C104K	CHIP C 0.10UF K		C283			CK73GB1H102K	CHIP C 1000PF K	
C103			CK73GB1H102K	CHIP C 1000PF K		C301			C92-0507-05	CHIP-TAN 4.7UF 6.3WV	
C104			CK73GB1C104K	CHIP C 0.10UF K		C302			CK73GB1H102K	CHIP C 1000PF K	
C151			CK73GB1H182K	CHIP C 1800PF K		C303			CK73GB1H472K	CHIP C 4700PF K	
C152			CK73GB1H392K	CHIP C 3900PF K		C304,305			CC73GCH1H331J	CHIP C 330PF J	M,K
C161			CK73GB1H102K	CHIP C 1000PF K		C304,305			CC73GCH1H391J	CHIP C 390PF J	M2
C162			C92-0507-05	CHIP-TAN 4.7UF 6.3WV		C306			CK73GB1H102K	CHIP C 1000PF K	
C163			CK73GB1H102K	CHIP C 1000PF K		C307			CK73GB1E223K	CHIP C 0.022UF K	
C164			C92-0560-05	CHIP-TAN 10UF 6.3WV		C308			CK73GB1H102K	CHIP C 1000PF K	
C201			CK73GB1C104K	CHIP C 0.10UF K		C309			CK73GB1E223K	CHIP C 0.022UF K	
C202			CK73GB1H102K	CHIP C 1000PF K		C310			CK73FB1C334K	CHIP C 0.33UF K	
C203			CK73GB1C273K	CHIP C 0.027UF K		C311,312			CK73GB1C104K	CHIP C 0.10UF K	
C204			C92-0514-05	CHIP-TAN 2.2UF 10WV		C313			C92-0662-05	CHIP-TAN 15UF 6.3WV	
C205			CK73GB1C104K	CHIP C 0.10UF K		C314			CK73GB1H103K	CHIP C 0.010UF K	
C206			CK73GB1H102K	CHIP C 1000PF K		C315-318			CK73GB1C104K	CHIP C 0.10UF K	
C207			CK73GB1C223K	CHIP C 0.022UF K		C319			CC73GCH1H101J	CHIP C 100PF J	
C208			CK73GB1H103K	CHIP C 0.010UF K		C322			CC73GCH1H560J	CHIP C 56PF J	
C210			CK73GB1C104K	CHIP C 0.10UF K		C323			CC73GCH1H271J	CHIP C 270PF J	
C211			CK73GB1H821K	CHIP C 820PF K		C324			CK73GB1H103K	CHIP C 0.010UF K	
C212			CK73GB1H122K	CHIP C 1200PF K		C326			CK73GB1H103K	CHIP C 0.010UF K	
C213			CK73GB1H332K	CHIP C 3300PF K		C350			CK73GB1H471K	CHIP C 470PF K	
C214			CC73GCH1H151J	CHIP C 150PF J		C351			CC73GCH1H330J	CHIP C 33PF J	
C215			CK73GB1C104K	CHIP C 0.10UF K		C353			CK73GB1H103K	CHIP C 0.010UF K	
C217,218			C92-0560-05	CHIP-TAN 10UF 6.3WV		C355			CC73GCH1H150J	CHIP C 15PF J	
C220			C92-0507-05	CHIP-TAN 4.7UF 6.3WV		C357			CK73GB1H103K	CHIP C 0.010UF K	
C221			CK73GB1C104K	CHIP C 0.10UF K		C358			CK73GB1H102K	CHIP C 1000PF K	
C225			C92-0004-05	CHIP-TAN 1.0UF 16WV		C359			CC73GCH1H080B	CHIP C 8.0PF B	
C226			CK73GB1H472K	CHIP C 4700PF K		C360-362			CK73GB1H102K	CHIP C 1000PF K	
C227			CK73GB1E103K	CHIP C 0.010UF K		C363			CK73GB1H103K	CHIP C 0.010UF K	
C228			C92-0560-05	CHIP-TAN 10UF 6.3WV		C364			CK73GB1H102K	CHIP C 1000PF K	
C229			C92-0507-05	CHIP-TAN 4.7UF 6.3WV		C366			CK73GB1C104K	CHIP C 0.10UF K	
C230			CK73GB1C104K	CHIP C 0.10UF K		C367			CC73GCH1H101J	CHIP C 100PF J	M,K
C231,232			CK73GB1H102K	CHIP C 1000PF K		C367			CC73GCH1H151J	CHIP C 150PF J	M2
C233			C92-0507-05	CHIP-TAN 4.7UF 6.3WV		C368			CC73GCH1H220J	CHIP C 22PF J	
C250			CK73GB1C104K	CHIP C 0.10UF K		C369			CC73GCH1H0R5B	CHIP C 0.5PF B	M2
C251			C92-0714-05	CHIP-TAN 4.7UF 6.3WV		C369			CC73GCH1H040B	CHIP C 4.0PF B	M,K
C252			CC73GCH1H390J	CHIP C 39PF J		C370			CK73GB1H102K	CHIP C 1000PF K	
C253,254			CK73GB1A105K	CHIP C 1.0UF K		C371			CC73GCH1H020B	CHIP C 2.0PF B	
C255			CK73GB1H822K	CHIP C 8200PF K		C372			CK73GB1H102K	CHIP C 1000PF K	
C256			CK73GB1E183K	CHIP C 0.018UF K		C373			CC73GCH1H040B	CHIP C 4.0PF B	M,K
C257			CK73GB1C393K	CHIP C 0.039UF K		C374			CC73GCH1H220J	CHIP C 22PF J	

K : TK-7100 K M : TK-7100 M M2 : TK-7100 M2

## PARTS LIST

### TX-RX UNIT (X57-6910-XX)

Ref. No.	Address	New parts	Parts No.	Description	Destination	Ref. No.	Address	New parts	Parts No.	Description	Destination
C375-380			CK73GB1H102K	CHIP C 1000PF K		C463,464			CK73GB1H102K	CHIP C 1000PF K	
C382			CC73GCH1H220J	CHIP C 22PF J		C465			CC73GCH1H220J	CHIP C 22PF J	
C383			CK73GB1H102K	CHIP C 1000PF K		C466			CC73GCH1H101J	CHIP C 100PF J	
C384			CC73GCH1H010B	CHIP C 1.0PF B		C467			CK73GB1H102K	CHIP C 1000PF K	
C386			CC73GCH1H240J	CHIP C 24PF J	M,K	C468			CK73GB1H221K	CHIP C 220PF K	
C386			CC73GCH1H270J	CHIP C 27PF J	M2	C471			CC73GCH1H100C	CHIP C 10PF C	M,K
C387			CK73GB1H102K	CHIP C 1000PF K		C471			CC73GCH1H120J	CHIP C 12PF J	M2
C388			CC73GCH1H040B	CHIP C 4.0PF B	M,K	C501,502			CK73GB1H102K	CHIP C 1000PF K	
C388			CC73GCH1H060B	CHIP C 6.0PF B	M2	C503			CC73GCH1H101J	CHIP C 100PF J	
C389			CK73GB1H102K	CHIP C 1000PF K		C504-507			CK73GB1H102K	CHIP C 1000PF K	
C401-403			CC73GCH1H101J	CHIP C 100PF J		C509			CC73GCH1H150J	CHIP C 15PF J	
C404			C92-0662-05	CHIP-TAN 15UF 6.3WV		C510			CC73GCH1H080B	CHIP C 8.0PF B	
C406			CK73GB1H102K	CHIP C 1000PF K		C511-514			CK73GB1H102K	CHIP C 1000PF K	
C408			CC73GCH1H220J	CHIP C 22PF J		C515			CC73GCH1H270J	CHIP C 27PF J	
C409			CK73GB1C104K	CHIP C 0.10UF K		C516			C93-0557-05	CHIP C 7.0PF D	M,K
C410			C92-0560-05	CHIP-TAN 10UF 6.3WV		C517			C93-0559-05	CHIP C 9.0PF D	M,K
C411			CK73GB1C104K	CHIP C 0.10UF K		C517			C93-0563-05	CHIP C 18PF J	M2
C412			C92-0560-05	CHIP-TAN 10UF 6.3WV		C518			C93-0558-05	CHIP C 8.0PF D	M,K
C413			CK73GB1H103K	CHIP C 0.010UF K		C518			C93-0560-05	CHIP C 10PF D	M2
C414			CK73GB1C104K	CHIP C 0.10UF K		C522			CK73FB1H102K	CHIP C 1000PF K	
C416-418			CK73GB1H102K	CHIP C 1000PF K		C524			C92-0004-05	CHIP-TAN 1.0UF 16WV	
C421,422			CK73GB1H471K	CHIP C 470PF K		C525			CK73GB1H102K	CHIP C 1000PF K	
C423			C92-0555-05	CHIP-TAN 0.047UF 35WV		C545			CK73GB1H102K	CHIP C 1000PF K	
C424			C92-0004-05	CHIP-TAN 1.0UF 16WV		C546			CK73GB1H221K	CHIP C 220PF K	
C425			C92-0001-05	CHIP C 0.1UF 35WV		C556			CK73GB1H102K	CHIP C 1000PF K	
C426			CC73GCH1H120J	CHIP C 12PF J	M2	C557,558			CK73GB1H103K	CHIP C 0.010UF K	
C426			CC73GCH1H270J	CHIP C 27PF J	M,K	C559			CK73GB1C104K	CHIP C 0.10UF K	
C427			CC73GCH1H040B	CHIP C 4.0PF B	M2	C560			CK73GB1H102K	CHIP C 1000PF K	
C427			CC73GCH1H080B	CHIP C 8.0PF B	M,K	C574			CK73GB1C104K	CHIP C 0.10UF K	
C428			CK73GB1H471K	CHIP C 470PF K		C576			C92-0719-05	ELECTRO 47UF 25WV	
C429			CC73GCH1H010B	CHIP C 1.0PF B	M,K	C601			CC73GCH1H120J	CHIP C 12PF J	M,K
C429			CC73GCH1H020B	CHIP C 2.0PF B	M2	C601			CC73GCH1H180J	CHIP C 18PF J	M2
C430,431			CC73GCH1H050B	CHIP C 5.0PF B		C603			C93-0603-05	CHIP C 1000PF K	
C432			CC73GCH1H0R5B	CHIP C 0.5PF B		C604			C93-0554-05	CHIP C 4.0PF C	
C434			CC73GCH1H330J	CHIP C 33PF J	M2	C605			C93-0564-05	CHIP C 22PF J	M,K
C434			CK73GB1H471K	CHIP C 470PF K	M,K	C605			C93-0565-05	CHIP C 27PF J	M2
C435			CC73GCH1H050B	CHIP C 5.0PF B	M2	C606			CC73GCH1H0R5B	CHIP C 0.5PF B	
C435			CC73GCH1H100C	CHIP C 10PF C	M,K	C607			CC73GCH1H010B	CHIP C 1.0PF B	M2
C436			CC73GCH1H0R5B	CHIP C 0.5PF B		C607			CC73GCH1H020B	CHIP C 2.0PF B	M,K
C437			CK73GB1H471K	CHIP C 470PF K		C608			C93-0565-05	CHIP C 27PF J	
C438			CC73GCH1H020B	CHIP C 2.0PF B		C610			CC73GCH1H0R5B	CHIP C 0.5PF B	
C439			CC73GCH1H060B	CHIP C 6.0PF B	M,K	C611			CC73GCH1H020B	CHIP C 2.0PF B	
C439,440			CC73GCH1H060B	CHIP C 6.0PF B	M2	C612			C93-0557-05	CHIP C 7.0PF D	
C440			CC73GCH1H070B	CHIP C 7.0PF B	M,K	C615			C93-0562-05	CHIP C 15PF J	
C441			CC73GCH1H0R5B	CHIP C 0.5PF B		C616,617			CK73GB1H102K	CHIP C 1000PF K	
C442			C92-0560-05	CHIP-TAN 10UF 6.3WV		TC351			C05-0399-05	CERAMIC TRIMMER CAP (6PF)	
C444			CK73GB1H471K	CHIP C 470PF K		TC352			C05-0245-05	CERAMIC TRIMMER CAP (10PF)	
C448,449			CK73GB1H471K	CHIP C 470PF K		TC401,402			C05-0245-05	CERAMIC TRIMMER CAP (10PF)	
C450			C92-0568-05	CHIP-TAN 22UF 10WV		J1			E11-0425-05	3.5D PHONE JACK (3P)	
C451,452			CK73GB1H471K	CHIP C 470PF K		CN1			E40-6268-05	FLAT CABLE CONNECTOR	
C453			CK73GB1H221K	CHIP C 220PF K		CN2			E40-5702-05	PIN ASSY	
C454			CC73GCH1H060B	CHIP C 6.0PF B		CN3			E40-6292-05	PIN ASSY	
C455			CC73GCH1H030B	CHIP C 3.0PF B		CN5			E40-3246-05	PIN ASSY	
C456			CC73GCH1H020B	CHIP C 2.0PF B		CN301-304			E23-1081-05	TERMINAL	
C457			CK73GB1H102K	CHIP C 1000PF K		CN501-503			E23-1081-05	TERMINAL	
C458			CK73GB1H221K	CHIP C 220PF K		CF301			L72-0993-05	CERAMIC FILTER	
C459			CK73GB1H102K	CHIP C 1000PF K		CF302			L72-0999-05	CERAMIC FILTER	
C460			CC73GCH1H180J	CHIP C 18PF J		L101			L92-0443-05	FERRITE CHIP	
C461			CK73GB1H102K	CHIP C 1000PF K		L201			L92-0443-05	FERRITE CHIP	
C462			CC73GCH1H100C	CHIP C 10PF C							

## PARTS LIST

TX-RX UNIT (X57-6910-XX)

Ref. No.	Address	New parts	Parts No.	Description	Desti-nation	Ref. No.	Address	New parts	Parts No.	Description	Desti-nation
L301			L34-4554-05	COIL		R70			RK73GB1J473J	CHIP R 47K J 1/16W	
L302			L41-3385-08	SMALL FIXED INDUCTOR		R71			RK73GB1J472J	CHIP R 4.7K J 1/16W	
L303,304			L40-3381-86	SMALL FIXED INDUCTOR (0.33UH)		R72			RK73GB1J105J	CHIP R 1.0M J 1/16W	
L351			L41-8285-08	SMALL FIXED INDUCTOR		R73			RK73GB1J104J	CHIP R 100K J 1/16W	
L352			L41-5685-08	SMALL FIXED INDUCTOR		R74			RK73GB1J473J	CHIP R 47K J 1/16W	
L354-356			L34-4612-05	AIR-CORE COIL	M,K	R75			RK73GB1J102J	CHIP R 1.0K J 1/16W	
L354-356			L34-4613-05	AIR-CORE COIL	M2	R76			RK73GH1J183D	CHIP R 18K D 1/16W	
L357			L34-4611-05	AIR-CORE COIL		R77	*		RK73GH1J134D	CHIP R 130K D 1/16W	
L401			L92-0443-05	FERRITE CHIP		R78			RK73GB1J102J	CHIP R 1.0K J 1/16W	
L403			L41-1005-08	SMALL FIXED INDUCTOR		R81			RK73GB1J473J	CHIP R 47K J 1/16W	
L404			L92-0442-05	FERRITE CHIP		R82			R92-1252-05	CHIP R 0 OHM J 1/16W	
L405			L92-0443-05	FERRITE CHIP		R86			R92-1252-05	CHIP R 0 OHM J 1/16W	
L406,407			L40-2702-86	SMALL FIXED INDUCTOR (27UH)	M,K	R87			RK73GB1J102J	CHIP R 1.0K J 1/16W	
L406,407			L40-2785-92	SMALL FIXED INDUCTOR (270NH)	M2	R91,92			RK73GB1J102J	CHIP R 1.0K J 1/16W	
L408			L40-2778-67	SMALL FIXED INDUCTOR (27NH)	M,K	R93			RK73GB1J822J	CHIP R 8.2K J 1/16W	
L408			L40-3978-67	SMALL FIXED INDUCTOR (39NH)	M2	R94			RK73GB1J123J	CHIP R 12K J 1/16W	
L409-412			L40-2702-86	SMALL FIXED INDUCTOR (27UH)	M,K	R101,102			RK73GB1J473J	CHIP R 47K J 1/16W	
L409-412			L40-2785-92	SMALL FIXED INDUCTOR (270NH)	M2	R103-106			RK73GB1J102J	CHIP R 1.0K J 1/16W	
L413			L40-3978-67	SMALL FIXED INDUCTOR (39NH)	M,K	R107,108			RK73GB1J473J	CHIP R 4.7K J 1/16W	
L413			L40-6878-67	SMALL FIXED INDUCTOR (68NH)	M2	R109			RK73GB1J152J	CHIP R 1.5K J 1/16W	
L414			L40-2785-92	SMALL FIXED INDUCTOR (270NH)	M2	R110			RK73GB1J473J	CHIP R 47K J 1/16W	
L414,415			L40-4791-86	SMALL FIXED INDUCTOR (4.7UH)	M,K	R111			RK73GB1J102J	CHIP R 1.0K J 1/16W	
L415			L40-1085-92	SMALL FIXED INDUCTOR (100NH)	M2	R112,113			RK73GB1J473J	CHIP R 47K J 1/16W	
L416,417			L92-0443-05	FERRITE CHIP		R114-119			RK73GB1J102J	CHIP R 1.0K J 1/16W	
L418			L40-6875-92	SMALL FIXED INDUCTOR (68NH)	M2	R120			R92-1252-05	CHIP R 0 OHM J 1/16W	
L418			L41-3375-06	SMALL FIXED INDUCTOR	M,K	R122,123			R92-1252-05	CHIP R 0 OHM J 1/16W	
L419			L41-1085-06	SMALL FIXED INDUCTOR		R124			RK73GB1J473J	CHIP R 47K J 1/16W	
L420			L41-1585-06	SMALL FIXED INDUCTOR		R125-128			RK73GB1J102J	CHIP R 1.0K J 1/16W	
L421			L41-1085-06	SMALL FIXED INDUCTOR		R129			R92-1252-05	CHIP R 0 OHM J 1/16W	
L422			L41-5675-06	SMALL FIXED INDUCTOR		R130,131			RK73GB1J102J	CHIP R 1.0K J 1/16W	
L501,502			L41-6875-08	SMALL FIXED INDUCTOR		R151			RK73GB1J103J	CHIP R 10K J 1/16W	
L503			L34-4669-05	AIR-CORE COIL		R152			RK73GB1J472J	CHIP R 4.7K J 1/16W	
L509			L34-4667-05	AIR-CORE COIL		R161			RK73GB1J122J	CHIP R 1.2K J 1/16W	
L601			L34-4668-05	AIR-CORE COIL		R162			RK73GB1J152J	CHIP R 1.5K J 1/16W	
L603,604			L34-4670-05	AIR-CORE COIL		R163			RK73GB1J473J	CHIP R 47K J 1/16W	
L605			L34-4667-05	AIR-CORE COIL		R164-166			RK73GB1J102J	CHIP R 1.0K J 1/16W	
X86			L77-1934-05	CRYSTAL RESONATOR (14.31818MHZ)		R201			RK73GB1J681J	CHIP R 680 J 1/16W	
X401			L77-1868-15	TCXO (16.8MHZ)		R202			R92-0670-05	CHIP R 0 OHM	
XF351			L71-0591-05	MCF (49.95MHZ/UM-4)		R203			RK73GB1J104J	CHIP R 100K J 1/16W	
						R204			RK73GB1J183J	CHIP R 18K J 1/16W	
R1			RK73GB1J101J	CHIP R 100 J 1/16W		R205			RK73GB1J821J	CHIP R 820 J 1/16W	
R2			R92-1252-05	CHIP R 0 OHM J 1/16W		R206			RK73GB1J101J	CHIP R 100 J 1/16W	
R3			RK73GB1J102J	CHIP R 1.0K J 1/16W		R207			RK73GB1J754J	CHIP R 750K J 1/16W	
R4			RK73GB1J332J	CHIP R 3.3K J 1/16W		R208			RK73GB1J152J	CHIP R 1.5K J 1/16W	
R5			RK73GB1J223J	CHIP R 22K J 1/16W		R209			RK73GB1J244J	CHIP R 240K J 1/16W	
R31			RK73GB1J472J	CHIP R 4.7K J 1/16W		R210			RK73GB1J183J	CHIP R 18K J 1/16W	
R32			R92-1201-05	CHIP R 220 J 1/2W		R211,212			RK73GB1J823J	CHIP R 82K J 1/16W	
R33			RK73GB1J473J	CHIP R 47K J 1/16W		R213			RK73GB1J334J	CHIP R 330K J 1/16W	
R34			RK73GB1J472J	CHIP R 4.7K J 1/16W		R214,215			RK73GB1J683J	CHIP R 68K J 1/16W	
R35			RK73GB1J473J	CHIP R 47K J 1/16W		R216			RK73GB1J274J	CHIP R 270K J 1/16W	
R36			RK73GB1J152J	CHIP R 1.5K J 1/16W		R217			RK73GB1J224J	CHIP R 220K J 1/16W	
R37			R92-1252-05	CHIP R 0 OHM J 1/16W		R218			RK73GB1J823J	CHIP R 82K J 1/16W	
R38			RK73GB1J334J	CHIP R 330K J 1/16W		R219			RK73GB1J184J	CHIP R 180K J 1/16W	
R39			RK73GB1J474J	CHIP R 470K J 1/16W		R220,221			RK73GH1J153D	CHIP R 15K D 1/16W	
R40			RK73GB1J394J	CHIP R 390K J 1/16W		R222			RK73GB1J102J	CHIP R 1.0K J 1/16W	
R41			RK73GB1J334J	CHIP R 330K J 1/16W		R223			RK73GB1J472J	CHIP R 4.7K J 1/16W	
R61			RK73GB1J471J	CHIP R 470 J 1/16W		R224			RK73GB1J102J	CHIP R 1.0K J 1/16W	
R62			RK73GB1J102J	CHIP R 1.0K J 1/16W		R225			RK73GB1J154J	CHIP R 150K J 1/16W	
R66,67			RK73GB1J473J	CHIP R 47K J 1/16W		R226			RK73GB1J104J	CHIP R 100K J 1/16W	
R68,69			RK73GB1J102J	CHIP R 1.0K J 1/16W		R227			RK73GB1J223J	CHIP R 22K J 1/16W	

K : TK-7100 K M : TK-7100 M M2 : TK-7100 M2

## PARTS LIST

### TX-RX UNIT (X57-6910-XX)

Ref. No.	Address	New parts	Parts No.	Description	Destination	Ref. No.	Address	New parts	Parts No.	Description	Destination
R228			RK73GB1J103J	CHIP R 10K J 1/16W		R354			RK73GB1J331J	CHIP R 330 J 1/16W	
R229			RK73GB1J684J	CHIP R 680K J 1/16W		R355			RK73GB1J471J	CHIP R 470 J 1/16W	M,K
R230			RK73GB1J124J	CHIP R 120K J 1/16W		R355,356			RK73GB1J102J	CHIP R 1.0K J 1/16W	M2
R231			RK73GB1J683J	CHIP R 68K J 1/16W		R356			RK73GB1J102J	CHIP R 1.0K J 1/16W	M,K
R232			RK73GB1J912J	CHIP R 9.1K J 1/16W		R358			RK73GB1J470J	CHIP R 47 J 1/16W	
R233			RK73GB1J682J	CHIP R 6.8K J 1/16W		R359			RK73GB1J224J	CHIP R 220K J 1/16W	
R249-251			RK73GB1J473J	CHIP R 47K J 1/16W		R360			RK73GB1J474J	CHIP R 470K J 1/16W	
R252			RK73GB1J474J	CHIP R 470K J 1/16W		R361			RK73GB1J470J	CHIP R 47 J 1/16W	M,K
R253			R92-1252-05	CHIP R 0 OHM J 1/16W		R361			RK73GB1J560J	CHIP R 56 J 1/16W	M2
R254			RK73GB1J681J	CHIP R 680 J 1/16W		R362			RK73GB1J474J	CHIP R 470K J 1/16W	
R255,256			RK73GB1J562J	CHIP R 5.6K J 1/16W		R363			RK73GB1J154J	CHIP R 150K J 1/16W	
R257			RK73GB1J105J	CHIP R 1.0M J 1/16W		R364			R92-1252-05	CHIP R 0 OHM J 1/16W	
R258			RK73GB1J272J	CHIP R 2.7K J 1/16W		R365			RK73GB1J104J	CHIP R 100K J 1/16W	
R259			RK73GB1J123J	CHIP R 12K J 1/16W		R366			RK73GB1J471J	CHIP R 470 J 1/16W	
R260			RK73GB1J224J	CHIP R 220K J 1/16W		R367			RK73GB1J470J	CHIP R 47 J 1/16W	
R261			RK73GB1J124J	CHIP R 120K J 1/16W		R368			RK73GB1J104J	CHIP R 100K J 1/16W	
R262			RK73GB1J183J	CHIP R 18K J 1/16W		R369			R92-1252-05	CHIP R 0 OHM J 1/16W	
R263			RK73GH1J913D	CHIP R 91K D 1/16W		R370			RK73GB1J151J	CHIP R 150 J 1/16W	
R264			RK73GH1J124D	CHIP R 120K D 1/16W		R371			RK73GB1J474J	CHIP R 470K J 1/16W	
R265			RK73GH1J562D	CHIP R 5.6K D 1/16W		R372			RK73GB1J124J	CHIP R 120K J 1/16W	M2
R266			RK73GB1J562J	CHIP R 5.6K J 1/16W		R372			RK73GB1J224J	CHIP R 220K J 1/16W	M,K
R267			R92-0670-05	CHIP R 0 OHM		R373			RK73GB1J684J	CHIP R 680K J 1/16W	
R268			RK73GB1J102J	CHIP R 1.0K J 1/16W		R374			RK73GB1J124J	CHIP R 120K J 1/16W	M2
R269			RK73GB1J823J	CHIP R 82K J 1/16W		R374			RK73GB1J184J	CHIP R 180K J 1/16W	M,K
R270			RK73GB1J272J	CHIP R 2.7K J 1/16W		R375,376			RK73GB1J104J	CHIP R 100K J 1/16W	
R271			RK73GB1J561J	CHIP R 560 J 1/16W		R378			RK73GB1J100J	CHIP R 10 J 1/16W	M2
R272			RK73GB1J152J	CHIP R 1.5K J 1/16W		R378			R92-1252-05	CHIP R 0 OHM J 1/16W	M,K
R273			RK73GB1J472J	CHIP R 4.7K J 1/16W		R379			RK73GB1J104J	CHIP R 100K J 1/16W	
R274,275			RK73GB1J153J	CHIP R 15K J 1/16W		R401-403			RK73GB1J102J	CHIP R 1.0K J 1/16W	
R276			RK73GB1J473J	CHIP R 47K J 1/16W		R404			RK73GB1J103J	CHIP R 10K J 1/16W	
R277			RK73GB1J683J	CHIP R 68K J 1/16W		R405			R92-1252-05	CHIP R 0 OHM J 1/16W	
R278			RK73GB1J123J	CHIP R 12K J 1/16W		R407			RK73GB1J152J	CHIP R 1.5K J 1/16W	
R279			RK73GB1J472J	CHIP R 4.7K J 1/16W		R408			RK73GB1J100J	CHIP R 10 J 1/16W	
R280			RK73GB1J391J	CHIP R 390 J 1/16W		R409			RK73GB1J104J	CHIP R 100K J 1/16W	
R281			R92-0670-05	CHIP R 0 OHM		R410			RK73GB1J103J	CHIP R 10K J 1/16W	M2
R301,302			RK73GB1J472J	CHIP R 4.7K J 1/16W		R410			RK73GB1J822J	CHIP R 8.2K J 1/16W	M,K
R303			RK73GB1J223J	CHIP R 22K J 1/16W		R411			RK73GB1J562J	CHIP R 5.6K J 1/16W	
R304			RK73GB1J472J	CHIP R 4.7K J 1/16W		R412,413			RK73GB1J103J	CHIP R 10K J 1/16W	
R305			RK73GB1J182J	CHIP R 1.8K J 1/16W		R414			RK73GB1J471J	CHIP R 470 J 1/16W	
R306			RK73GB1J274J	CHIP R 270K J 1/16W		R415			R92-1252-05	CHIP R 0 OHM J 1/16W	
R308			RK73GB1J334J	CHIP R 330K J 1/16W		R416			RK73GB1J471J	CHIP R 470 J 1/16W	
R309			RK73GB1J332J	CHIP R 3.3K J 1/16W		R417			RK73GB1J224J	CHIP R 220K J 1/16W	
R310			RK73GB1J102J	CHIP R 1.0K J 1/16W		R418,419			RK73GB1J102J	CHIP R 1.0K J 1/16W	
R311			RK73GB1J333J	CHIP R 33K J 1/16W		R420			RK73GB1J272J	CHIP R 2.7K J 1/16W	
R312			RK73GB1J473J	CHIP R 47K J 1/16W		R421			RK73GB1J152J	CHIP R 1.5K J 1/16W	
R313			RK73GB1J104J	CHIP R 100K J 1/16W		R422			RK73GB1J103J	CHIP R 10K J 1/16W	
R314			RK73GB1J222J	CHIP R 2.2K J 1/16W		R423			RK73GB1J331J	CHIP R 330 J 1/16W	M2
R315			RK73GB1J183J	CHIP R 18K J 1/16W		R423,424			RK73GB1J221J	CHIP R 220 J 1/16W	M,K
R316			RK73GB1J223J	CHIP R 22K J 1/16W		R424			RK73GB1J221J	CHIP R 220 J 1/16W	M2
R317-320			RK73GB1J103J	CHIP R 10K J 1/16W		R425,426			RK73GB1J473J	CHIP R 47K J 1/16W	
R321			RK73GB1J223J	CHIP R 22K J 1/16W		R427			RK73GB1J104J	CHIP R 100K J 1/16W	
R322			RK73GB1J101J	CHIP R 100 J 1/16W		R428			RK73GB1J473J	CHIP R 47K J 1/16W	
R323			RK73GB1J224J	CHIP R 220K J 1/16W		R429,430			RK73GB1J101J	CHIP R 100 J 1/16W	
R324			R92-1252-05	CHIP R 0 OHM J 1/16W		R431			RK73GB1J104J	CHIP R 100K J 1/16W	
R325			RK73GB1J333J	CHIP R 33K J 1/16W		R432			RK73GB1J102J	CHIP R 1.0K J 1/16W	
R349			RK73GB1J473J	CHIP R 47K J 1/16W		R433			RK73GB1J472J	CHIP R 4.7K J 1/16W	
R350			RK73GB1J273J	CHIP R 27K J 1/16W		R434			R92-1252-05	CHIP R 0 OHM J 1/16W	
R351			RK73GB1J471J	CHIP R 470 J 1/16W		R435			RK73GB1J101J	CHIP R 100 J 1/16W	
R352			RK73GB1J101J	CHIP R 100 J 1/16W		R436			RK73GB1J124J	CHIP R 120K J 1/16W	
R353			RK73GB1J104J	CHIP R 100K J 1/16W		R437			RK73GB1J102J	CHIP R 1.0K J 1/16W	

## PARTS LIST

TX-RX UNIT (X57-6910-XX)

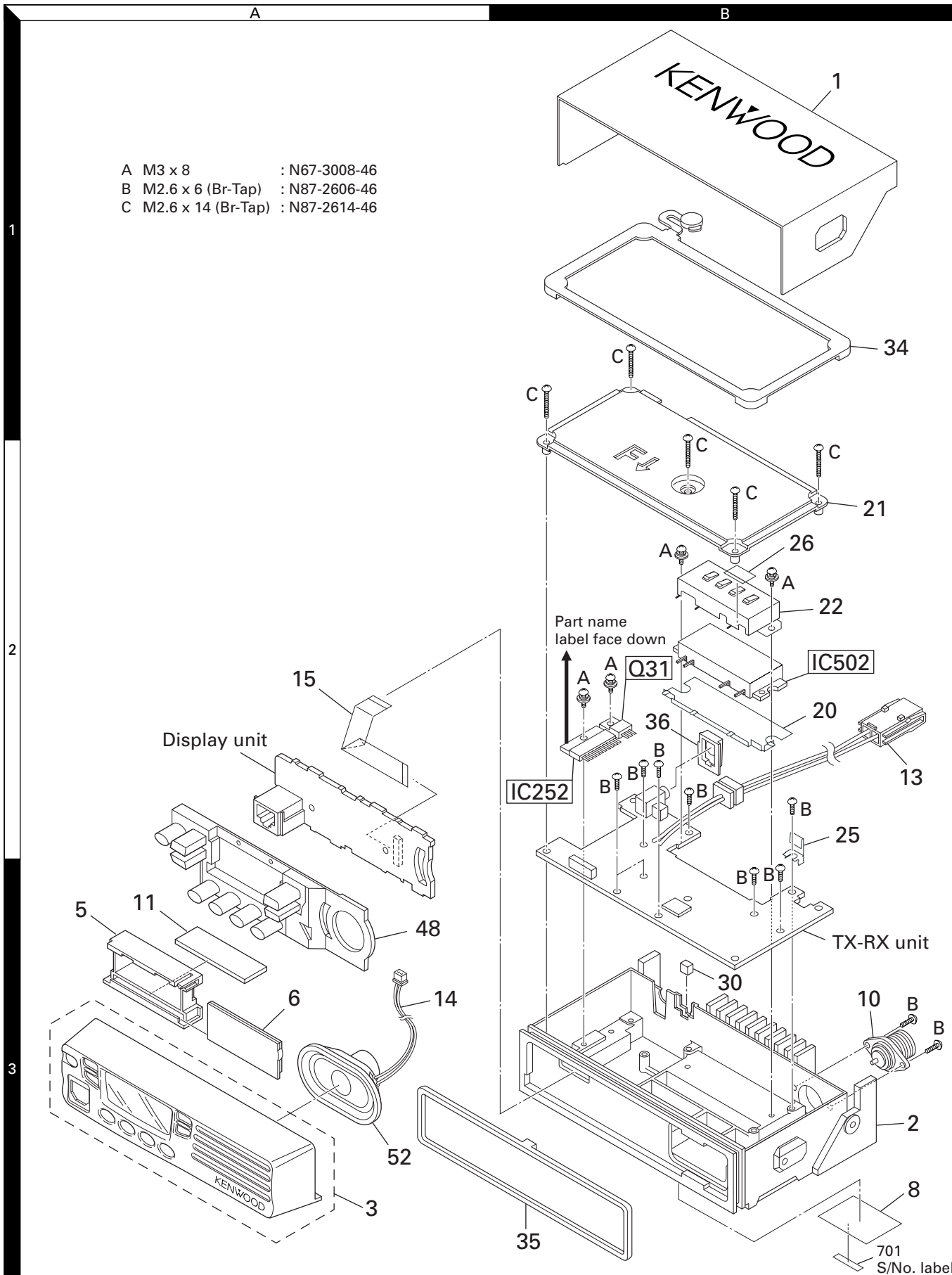
Ref. No.	Address	New parts	Parts No.	Description	Destination	Ref. No.	Address	New parts	Parts No.	Description	Destination
R438			RK73GB1J223J	CHIP R 22K J 1/16W		D604			XB15A709	DIODE	M2
R439			RK73GB1J473J	CHIP R 47K J 1/16W		D606,607			MA742	DIODE	
R440-442			RK73GB1J101J	CHIP R 100 J 1/16W		D608,609			1SS355	DIODE	
R443			RK73GB1J222J	CHIP R 2.2K J 1/16W		IC31			KIA7808AF	ANALOG IC	
R444			RK73GB1J102J	CHIP R 1.0K J 1/16W		IC32,33			NJM78L05UA	BI-POLAR IC	
R501			RK73GB1J102J	CHIP R 1.0K J 1/16W		IC34,35			PST9140NR	MOS IC	
R502			RK73GB1J271J	CHIP R 270 J 1/16W		IC66			AT24C64A10SI18	ROM IC	
R503			RK73GB1J180J	CHIP R 18 J 1/16W		IC101	*		30622MAA-B86GP	MPU	
R504			RK73GB1J271J	CHIP R 270 J 1/16W		IC161			M62363FP	MOS IC	
R505			RK73GB1J222J	CHIP R 2.2K J 1/16W		IC201			NJM2100V	MOS IC	
R506			RK73GB1J103J	CHIP R 10K J 1/16W		IC202			NJM2904V	MOS IC	
R507			RK73GB1J100J	CHIP R 10 J 1/16W		IC203			NJM2902V	MOS IC	
R508			RK73GB1J222J	CHIP R 2.2K J 1/16W		IC251			NJM2902V	MOS IC	
R509			RK73GB1J330J	CHIP R 33 J 1/16W		IC252	2B		LA4600	BI-POLAR IC	
R510			RK73GB1J152J	CHIP R 1.5K J 1/16W		IC301			TK14489V	BI-POLAR IC	
R511			RK73FB2A470J	CHIP R 47 J 1/10W		IC401			MB15A02	MOS IC	
R512			RK73FB2A100J	CHIP R 10 J 1/10W		IC402			UPB1509GV	BI-POLAR IC	
R513			RK73FB2A222J	CHIP R 2.2K J 1/10W		IC501			TA75W01FU	MOS IC	
R514			R92-0686-05	CHIP R 33 J 1/2W		IC502	2B		RA30H1317M-31	MOS IC	
R515			RK73FB2A221J	CHIP R 220 J 1/10W		Q1			2SK1824	FET	
R516			RK73FB2A220J	CHIP R 22 J 1/10W		Q31	2B		KTA1046(Y)	TRANSISTOR	
R517			RK73FB2A221J	CHIP R 220 J 1/10W		Q32			2SK1824	FET	
R518			RK73EB2B470J	CHIP R 47 J 1/8W		Q33			2SA1745(6,7)	TRANSISTOR	
R519			RK73GB1J822J	CHIP R 8.2K J 1/16W		Q34			KRC102S	DIGITAL TRANSISTOR	
R520			RK73GB1J102J	CHIP R 1.0K J 1/16W		Q35			KTA1664(Y)	TRANSISTOR	
R521			RK73GB1J101J	CHIP R 100 J 1/16W		Q36			KRC102S	DIGITAL TRANSISTOR	
R522			R92-1252-05	CHIP R 0 OHM J 1/16W		Q61			KRC404RTK	DIGITAL TRANSISTOR	
R526			R92-1261-05	CHIP R 150 J 1/2W		Q71			KRC414RTK	DIGITAL TRANSISTOR	
R527			RK73GB1J334J	CHIP R 330K J 1/16W		Q86,87			2SK1824	FET	
R528,529			RK73GB1J103J	CHIP R 10K J 1/16W		Q201			2SC4919	TRANSISTOR	
R530			RK73GB1J392J	CHIP R 3.9K J 1/16W		Q202			2SJ243	FET	
R531			RK73GB1J473J	CHIP R 47K J 1/16W		Q251			2SC4617(S)	TRANSISTOR	
R532,533			R92-1252-05	CHIP R 0 OHM J 1/16W		Q252,253			2SK1824	FET	
R601,602			RK73GB1J223J	CHIP R 22K J 1/16W		Q254			DTC363EU	DIGITAL TRANSISTOR	
R603			RK73GB1J473J	CHIP R 47K J 1/16W		Q255			KRC102S	DIGITAL TRANSISTOR	
R605			RK73GB1J473J	CHIP R 47K J 1/16W		Q301			2SC2412K	TRANSISTOR	
R606			RK73GB1J102J	CHIP R 1.0K J 1/16W		Q302			2SC4617(S)	TRANSISTOR	
R800			R92-1061-05	JUMPER REST 0 OHM		Q351			2SC5108(Y)	TRANSISTOR	
D1-11			DA221	DIODE		Q352,353			3SK255	FET	
D31			ZSH5MA27	SURGE ABSORBER		Q354			2SK1824	FET	
D32			1812L110PR	VARIATOR		Q402			2SA1832(GR)	TRANSISTOR	
D61			O2DZ18(X,Y)	ZENER DIODE		Q403			2SC4738(GR)	TRANSISTOR	
D201			DAN222	DIODE		Q404			2SC4649(N,P)	TRANSISTOR	
D202			1SS372	DIODE		Q405,406			2SK508NV(K52)	FET	
D251			MA742	DIODE		Q407			2SJ243	FET	
D301			MA742	DIODE		Q408			KRX102U	TRANSISTOR	
D302,303			DAN222	DIODE		Q410			2SC5108(Y)	TRANSISTOR	
D351-354			HVC350B	VARIABLE CAPACITANCE DIODE		Q411			2SC4649(N,P)	TRANSISTOR	
D401			MA2S111	DIODE		Q440			2SC4617(S)	TRANSISTOR	
D402			HZU5ALL	DIODE		Q501,502			2SC3357	TRANSISTOR	
D403-406			MA2S304	VARIABLE CAPACITANCE DIODE		TH97,98			B57331V2104J	THERMISTOR	
D407			MA360	VARIABLE CAPACITANCE DIODE		TH301			B57331V2104J	THERMISTOR	
D408			MA2S111	DIODE		TH351			B57331V2104J	THERMISTOR	M2
D409			DAN235E	DIODE							
D501			1SS355	DIODE							
D502			DA221	DIODE							
D503			O2DZ5.1(Y)	ZENER DIODE							
D602			MA4PH633	DIODE							
D603			XB15A709	DIODE	M,K						

K : TK-7100 K M : TK-7100 M M2 : TK-7100 M2

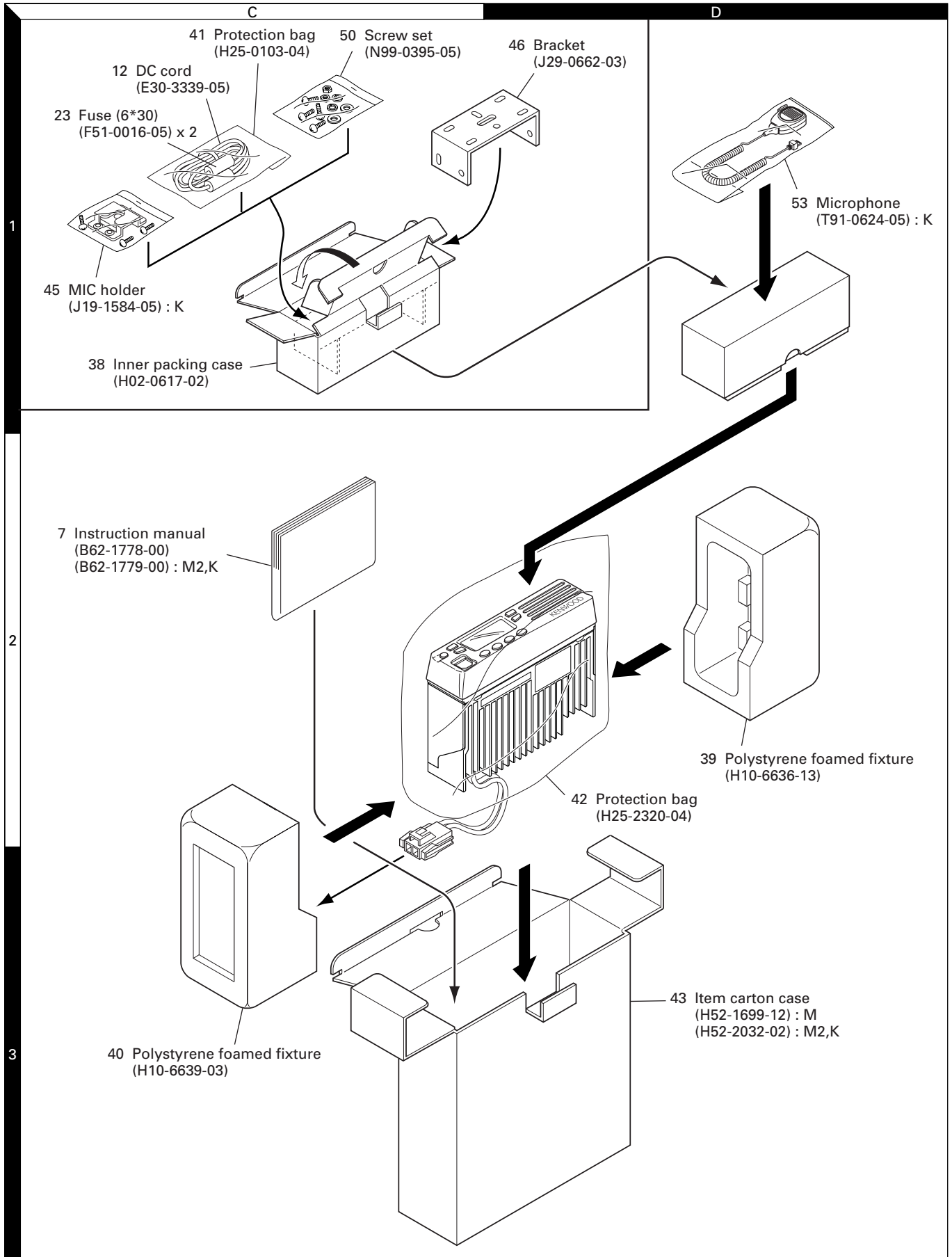
# TK-7100

## EXPLODED VIEW

- A M3 x 8 : N67-3008-46  
 B M2.6 x 6 (Br-Tap) : N87-2606-46  
 C M2.6 x 14 (Br-Tap) : N87-2614-46



## PACKING



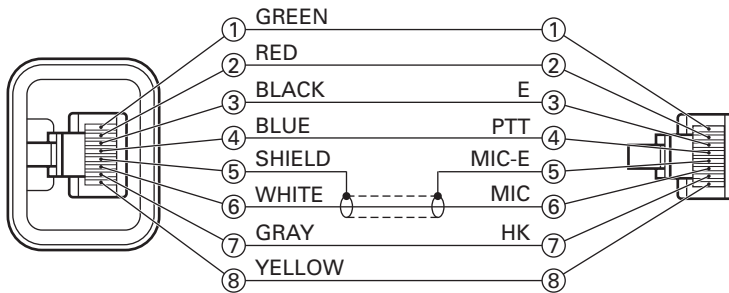
Parts with the exploded numbers larger than 700 are not supplied.

## ADJUSTMENT

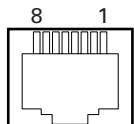
### Test Equipment Required for Alignment

Test Equipment	Major Specifications	
1. Standard Signal Generator (SSG)	Frequency Range Modulation Output	136 to 175MHz Frequency modulation and external modulation -127dBm/0.1μV to greater than -7dBm/100mV
2. Power Meter	Input Impedance Operation Frequency Measurement Capability	50Ω 136 to 175MHz or more Vicinity of 100W
3. Deviation Meter	Frequency Range	136 to 175MHz
4. Digital Volt Meter (DVM)	Measuring Range Accuracy	1 to 20V DC High input impedance for minimum circuit loading
5. Oscilloscope		DC through 30MHz
6. High Sensitivity Frequency Counter	Frequency Range Frequency Stability	10Hz to 1000MHz 0.2ppm or less
7. Ammeter		20A
8. AF Volt Meter (AF VTVM)	Frequency Range Voltage Range	50Hz to 10kHz 1mV to 3V
9. Audio Generator (AG)	Frequency Range Output	20Hz to 20kHz or more 0 to 1V
10. Distortion Meter	Capability Input Level	3% or less at 1kHz 50mV to 10Vrms
11. 4Ω Dummy Load		Approx. 4Ω, 10W or more
12. Regulated Power Supply		13.6V, approx. 20A (adjustable from 9 to 17V) Useful if ammeter reequipped
13. Spectrum Analyzer	Center frequency	50KHz to 600MHz
14. Tracking Generator	Output Voltage	100mV or more

### Test cable for microphone input (E30-3360-08)



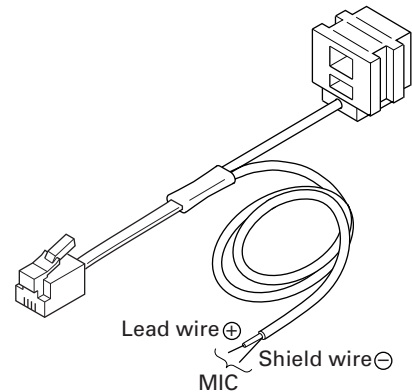
### MIC connector (Front view)



- 1 : BLC
- 2 : PSB
- 3 : E
- 4 : PTT
- 5 : ME
- 6 : MIC
- 7 : HOOK
- 8 : CM

### Tuning cable (E30-3383-05)

Adapter cable (E30-3383-05) is required for injecting an audio if PC tuning is used. See "PC Mode" section for the connection.



### Test Frequency (MHz)

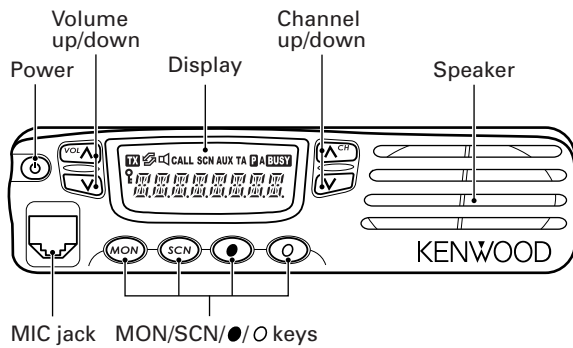
Channel	K,M		M2	
	TX	RX	TX	RX
1 : Center	160.100	160.050	149.100	149.050
2 : Low	146.100	146.050	136.100	136.050
3 : High	173.900	173.950	161.900	161.950
4	160.000	160.000	149.000	149.000
5	160.200	160.200	149.200	149.200
6	160.400	160.400	149.400	149.400



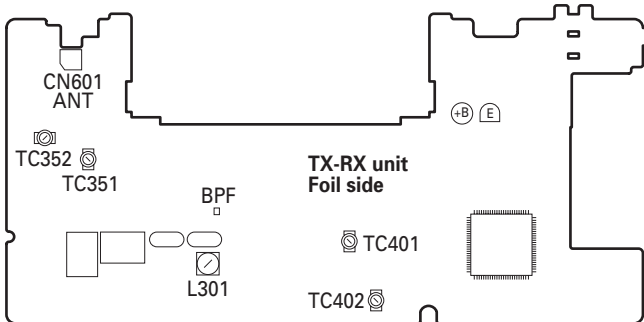
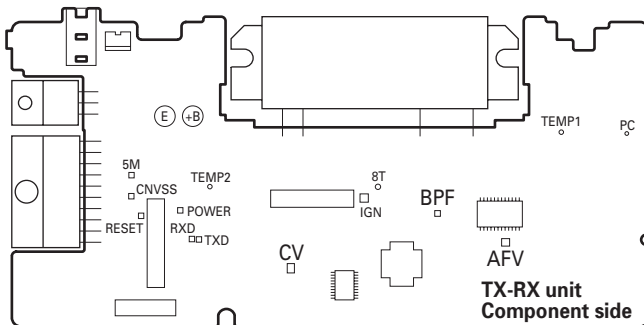
## ADJUSTMENT

### Adjustment Location

#### ■ Switch



#### ■ Adjustment Points



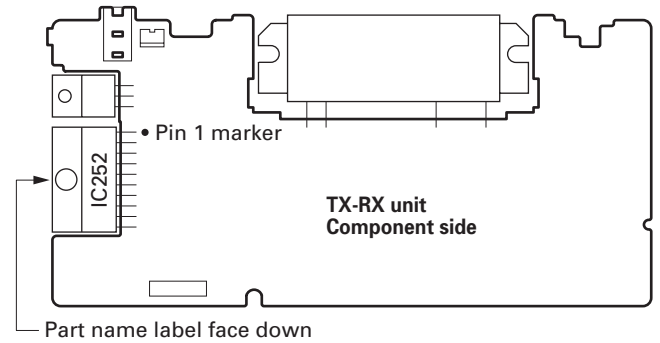
#### ■ Notes

##### • EEPROM

The tuning data (Deviation, Squelch, etc.) for the EEPROM, is stored in memory. When parts are changed, re-adjust the transceiver.

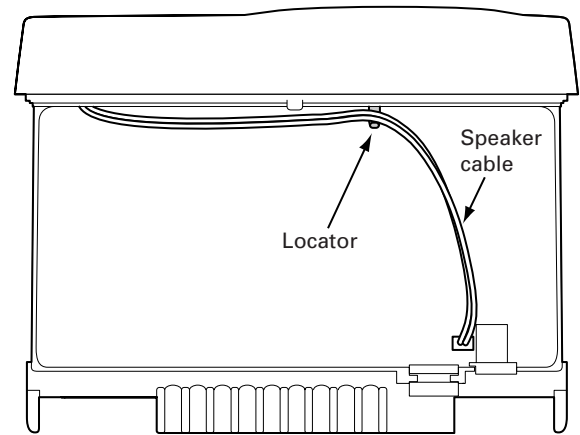
##### • AF PA IC (IC252)

How to mounting the IC252.



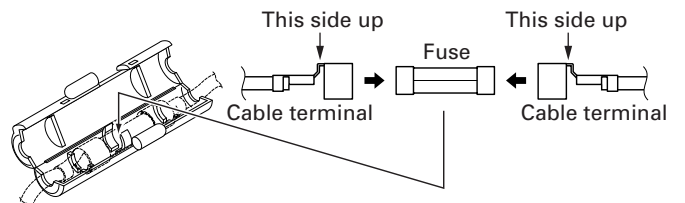
##### • Speaker Cable

The speaker cable should be formed before mounting the shield cover as below.



##### • Fuse

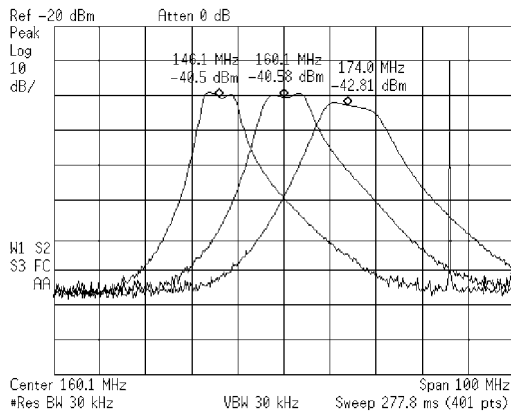
To mount the fuse, the cable terminal direction must be as follow.



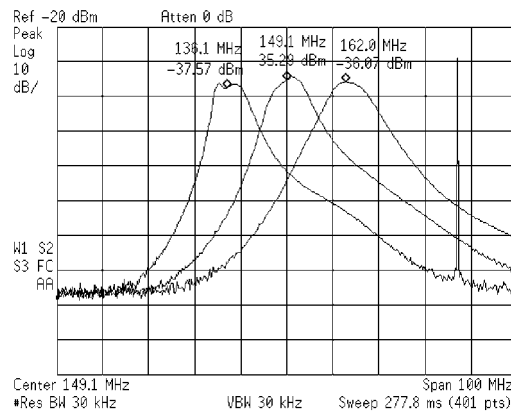
## ADJUSTMENT

### PCB Section

Item	Condition	Measurement		Adjustment		Specifications/ Remarks
		Test equipment	Terminal	Parts	Method	
1. Setting	1) Power supply voltage DC Power supply terminal : 13.6V					
2. VCO lock voltage	1) CH : TX high	Digital voltmeter	CV	TC402	5.5V	±0.1V
	2) CH : RX high			TC401	5.5V	±0.1V
	3) CH : TX low				Check	0.7V or more
	4) CH : RX low				Check	0.7V or more
3. IF coil	1) CH : RX center (Wide) 2) SSG output : -53dBm (501μV) Mod : 1kHz, Dev : 3kHz	SSG Digital voltmeter	AFV	L301	3.25~3.35V (DC)	
4. RF bandpass filter	1) CH : RX center (Wide) CH : RX low (Wide) CH : RX high (Wide) 2) Track generator output : -30dBm Connect the spectrum analyzer to BPF terminal	Track generator Spectrum analyzer	ANT BPF	TC351 TC352	Adjust the BPF waveform to Fig. 1	



K,M



M2

Fig. 1

### Receiver Section

Item	Condition	Measurement		Adjustment		Specifications/ Remarks
		Test equipment	Terminal	Parts	Method	
1. Sensitivity	1) CH : RX low (Wide/Narrow) CH : RX center (Wide/Narrow) CH : RX high (Wide/Narrow) 2) SSG output : -118dBm (0.28μV) (Wide) : -116dBm (0.35μV) (Narrow) Mod : 1kHz Dev : ±3.0kHz (Wide) Dev : ±1.5kHz (Narrow)	SSG Oscilloscope AF V.M Distortion meter	ANT EXT. SP		Check	SINAD : 12dB or higher
2. Squelch 9	1) CH : RX low (Wide) CH : RX center (Wide/Narrow) CH : RX high (Wide) 2) SSG output : -115dBm (0.4μV) (Wide) : -114dBm (0.45μV) (Narrow) Mod : 1kHz Dev : ±3.0kHz (Wide) Dev : ±1.5kHz (Narrow)			PC key	Adjust to open the squelch	

## ADJUSTMENT

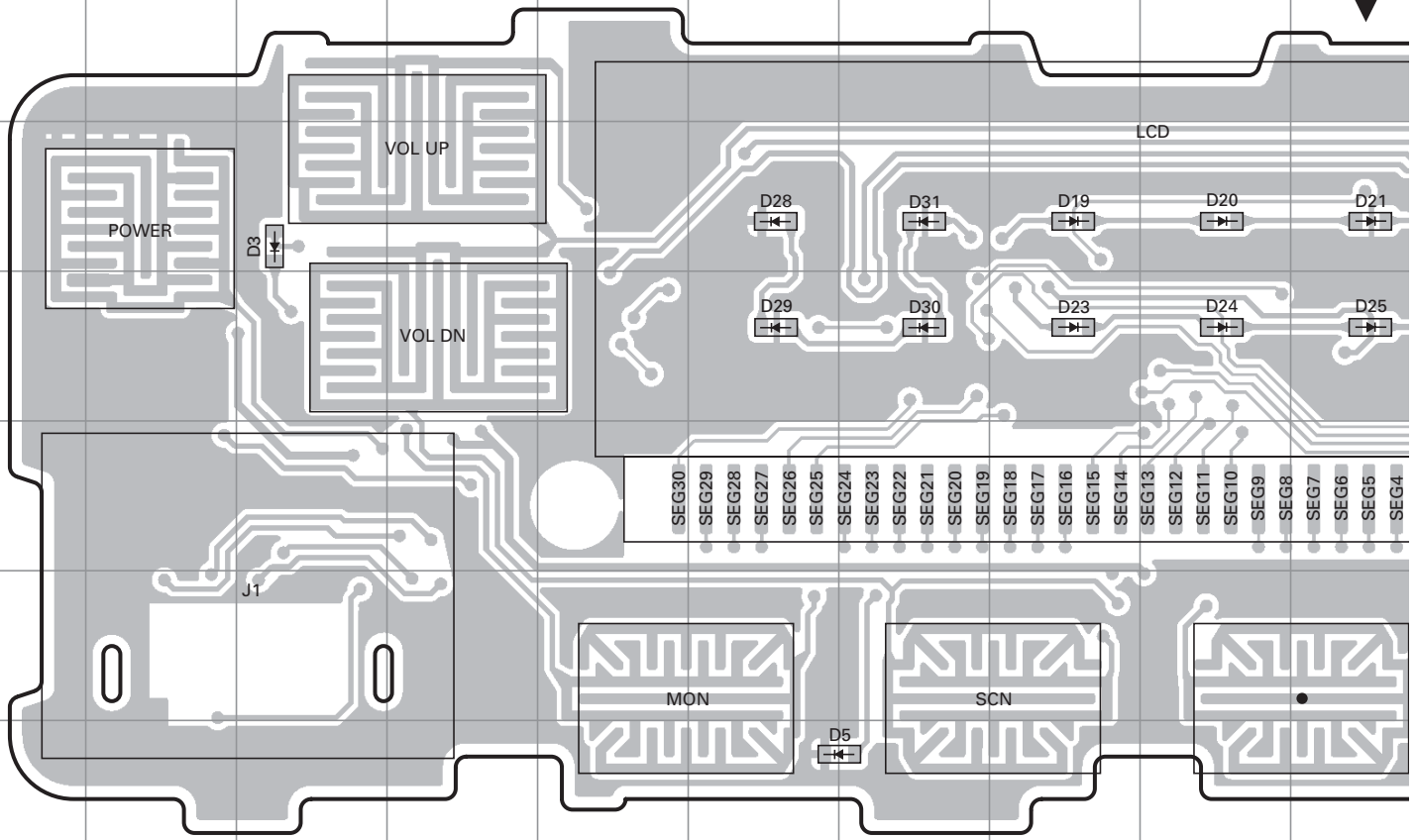
Item	Condition	Measurement		Adjustment		Specifications/ Remarks
		Test equipment	Terminal	Parts	Method	
3. Squelch 1	1) CH : RX low (Wide) CH : RX center (Wide/Narrow) CH : RX high (Wide) 2) SSG output : -120dBm (0.22 $\mu$ V) (Wide) : -119dBm (0.25 $\mu$ V) (Narrow) Mod : 1kHz Dev : $\pm$ 3.0kHz (Wide) Dev : $\pm$ 1.5kHz (Narrow)			PC key	Adjust to open the squelch	

## Transmitter Section

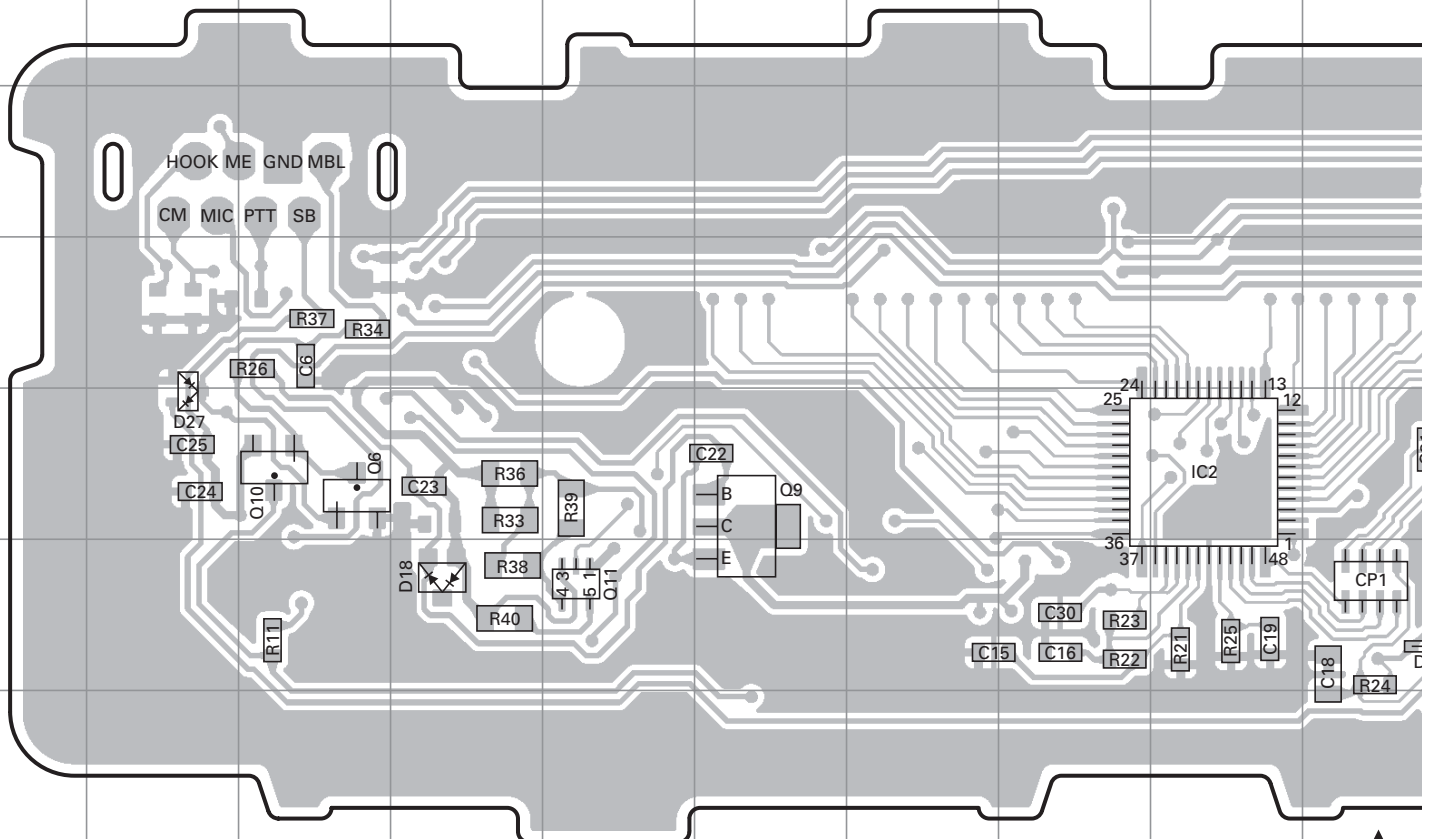
Item	Condition	Measurement		Adjustment		Specifications/ Remarks
		Test equipment	Terminal	Parts	Method	
1. Frequency	1) CH : TX center 2) Transmit	Frequency counter	ANT	PC key	Adjust to center frequency	Within $\pm$ 100Hz
2. Maximum power check	1) CH : TX high 2) Transmit	Power meter			28W	$\pm$ 1W
3. High power	1) CH : TX low CH : TX low' CH : TX center CH : TX high' CH : TX high 2) Transmit				25W	$\pm$ 1.0W
4. Low power	1) CH : TX low CH : TX low' CH : TX center CH : TX high' CH : TX high 2) Transmit				5W	$\pm$ 1.0W
5. DQT balance	1) CH : TX low (Wide) CH : TX center (Wide/Narrow) CH : TX high (Wide) 2) Transmit				Modulation analyzer or Linear detector (LPF : 3kHz) Oscilloscope	
6. MAX balance	1) CH : TX low (Wide) CH : TX center (Wide/Narrow) CH : TX high (Wide) 2) AG : 1kHz/50mV 3) Transmit	Modulation analyzer or Linear detector (LPF : 15kHz) Oscilloscope AG	ANT MIC		$\pm$ 4.0kHz (Wide) $\pm$ 2.0kHz (Narrow) According to the large +, -	$\pm$ 50Hz
7. MIC sensitivity	1) CH : TX center (Wide/Narrow) 2) AG : 1kHz/5mV 3) Transmit	AF V.M			Check	$\pm$ 3kHz $\pm$ 0.2kHz (Wide) $\pm$ 1.5kHz $\pm$ 0.1kHz (Narrow)
8. DQT deviation	1) CH : TX low (Wide) CH : TX center (Wide/Narrow) CH : TX high (Wide) 2) Transmit	Modulation analyzer or Linear detector (LPF : 3kHz) Oscilloscope			$\pm$ 0.75kHz (Wide) $\pm$ 0.35kHz (Narrow)	$\pm$ 0.05kHz
9. QT deviation	1) CH : TX low (Wide) CH : TX center (Wide/Narrow) CH : TX high (Wide) 2) Transmit				$\pm$ 0.75kHz (Wide) $\pm$ 0.35kHz (Narrow)	$\pm$ 0.05kHz
10. DTMF deviation	1) CH : TX center (Wide/Narrow) 2) Transmit				$\pm$ 3.0kHz (Wide) $\pm$ 1.5kHz (Narrow)	$\pm$ 0.2kHz

# TK-7100 PC BOARD

**DISPLAY UNIT (X54-3430-20) Component side view (J72-0885-09)**

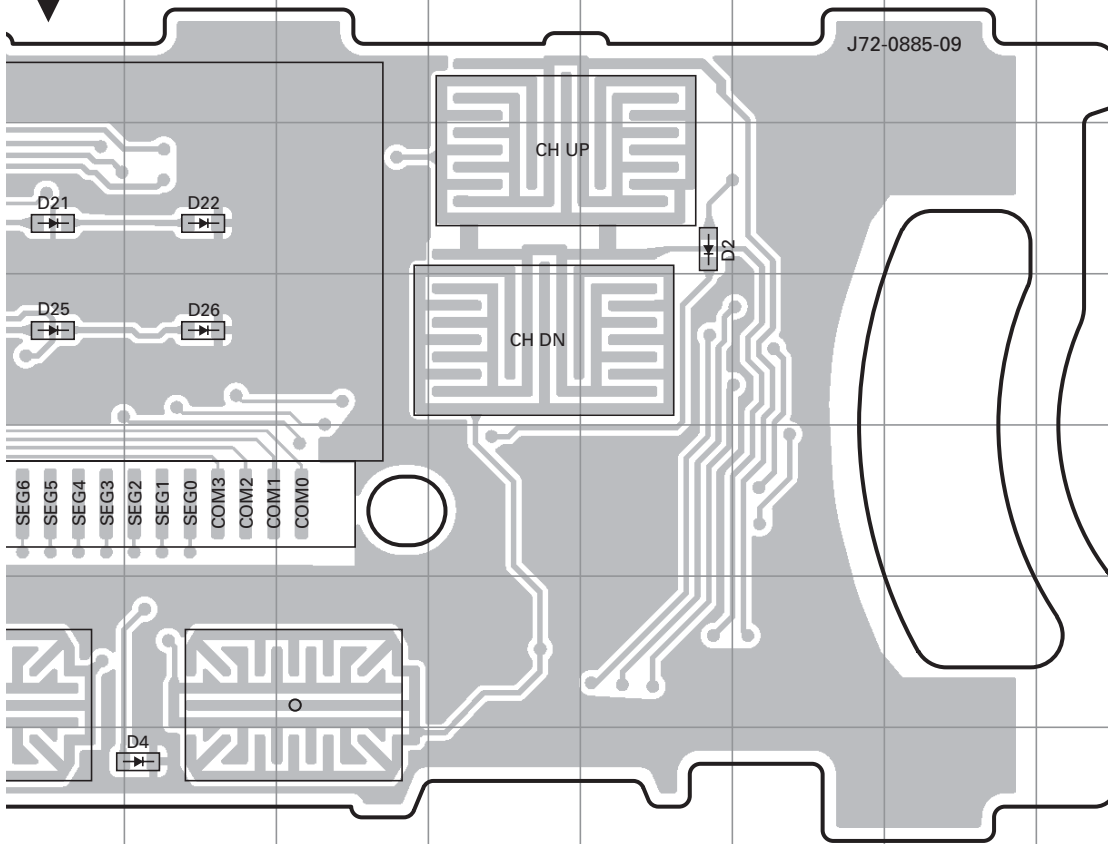


**DISPLAY UNIT (X54-3430-20) Foil side view (J72-0885-09)**

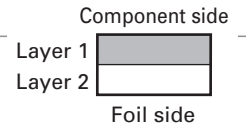


# PC BOARD TK-7100

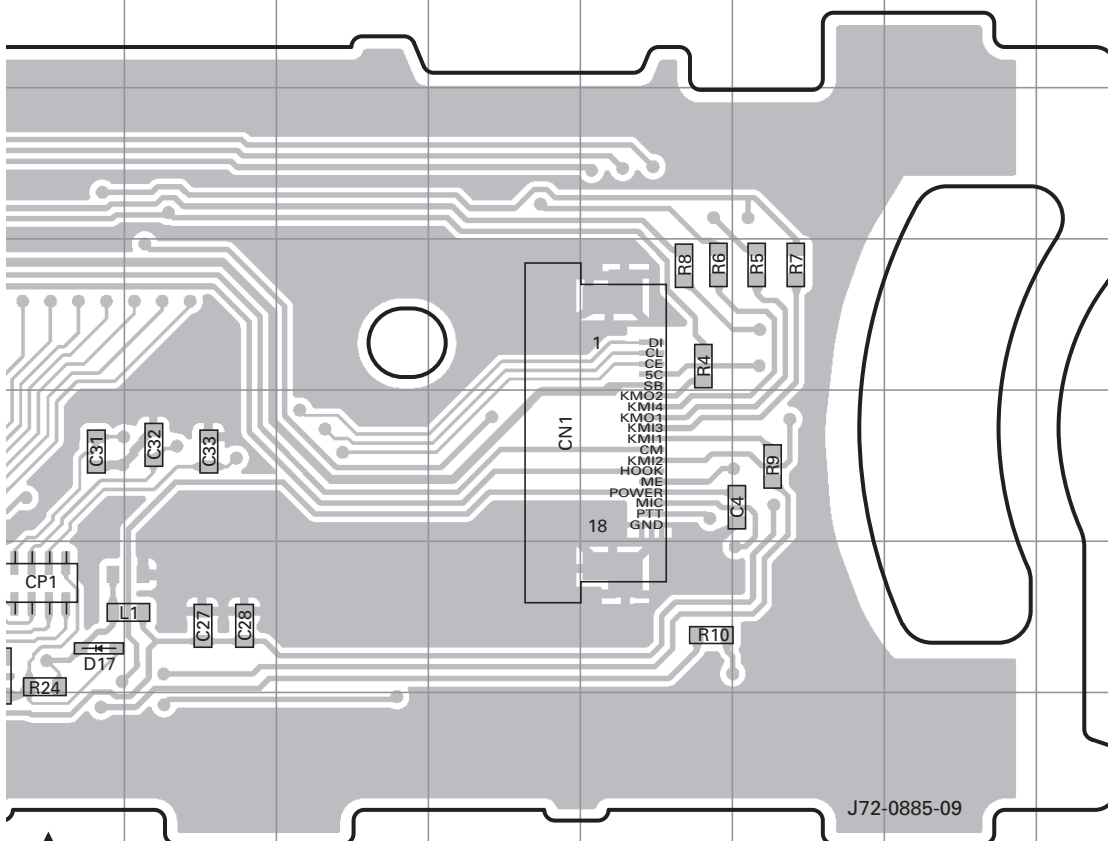
DISPLAY UNIT (X54-3430-20) Component side view (J72-0885-09)



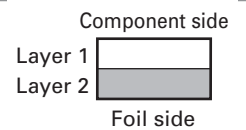
Ref. No.	Address	Ref. No.	Address
D2	3N	D23	4H
D3	3C	D24	4I
D4	7K	D25	4J
D5	7G	D26	4K
D19	3H	D28	3F
D20	3I	D29	4F
D21	3J	D30	4G
D22	3K	D31	3G



DISPLAY UNIT (X54-3430-20) Foil side view (J72-0885-09)



Ref. No.	Address	Ref. No.	Address
IC2	11I	Q11	12E
Q6	11C	D17	12J
Q9	11F	D18	12D
Q10	11C	D27	11B

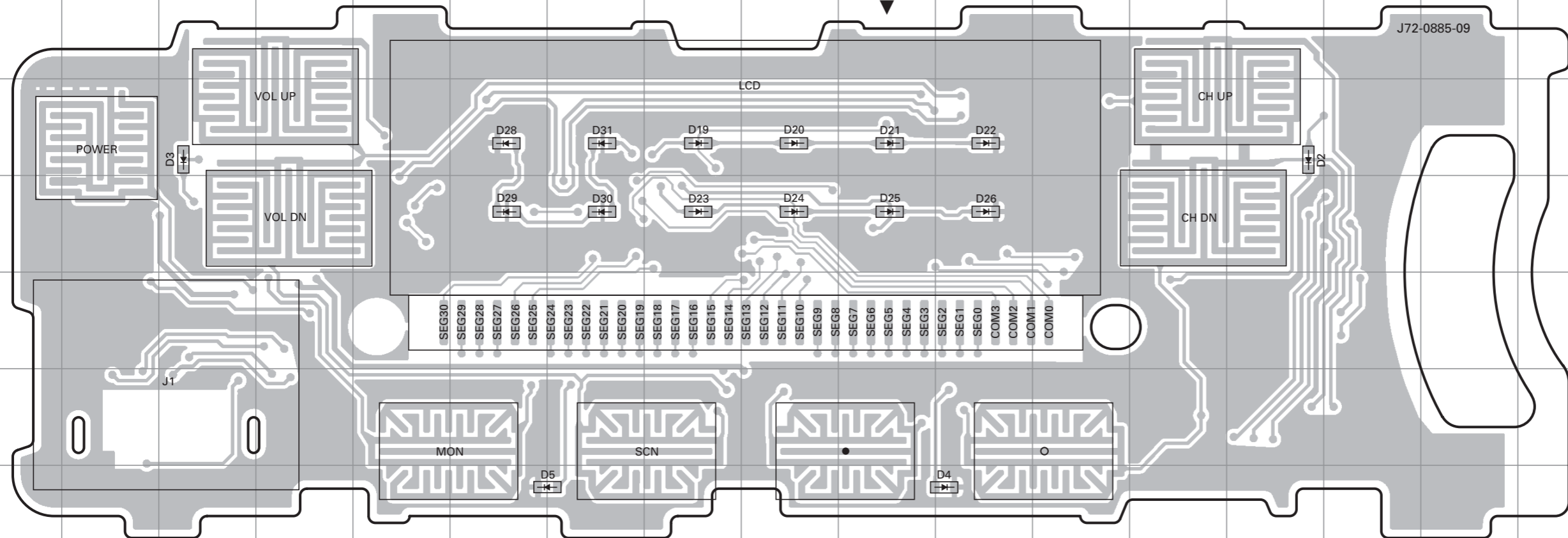


# TK-7100 PC BOARD

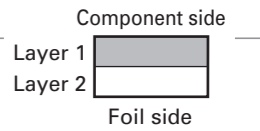
# PC BOARD TK-7100

DISPLAY UNIT (X54-3430-20) Component side view (J72-0885-09)

DISPLAY UNIT (X54-3430-20) Component side view (J72-0885-09)

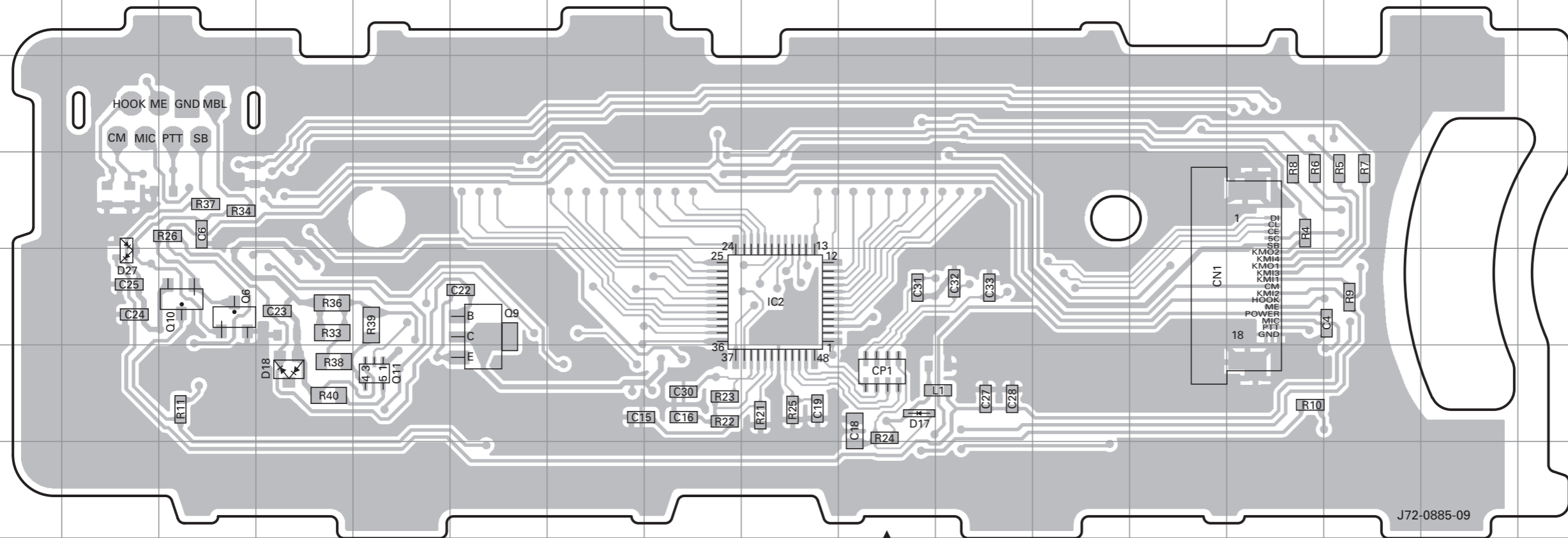


Ref. No.	Address	Ref. No.	Address
D2	3N	D23	4H
D3	3C	D24	4I
D4	7K	D25	4J
D5	7G	D26	4K
D19	3H	D28	3F
D20	3I	D29	4F
D21	3J	D30	4G
D22	3K	D31	3G

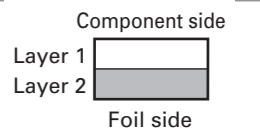


DISPLAY UNIT (X54-3430-20) Foil side view (J72-0885-09)

DISPLAY UNIT (X54-3430-20) Foil side view (J72-0885-09)



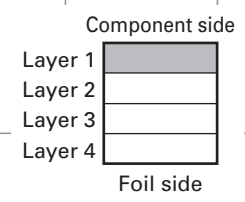
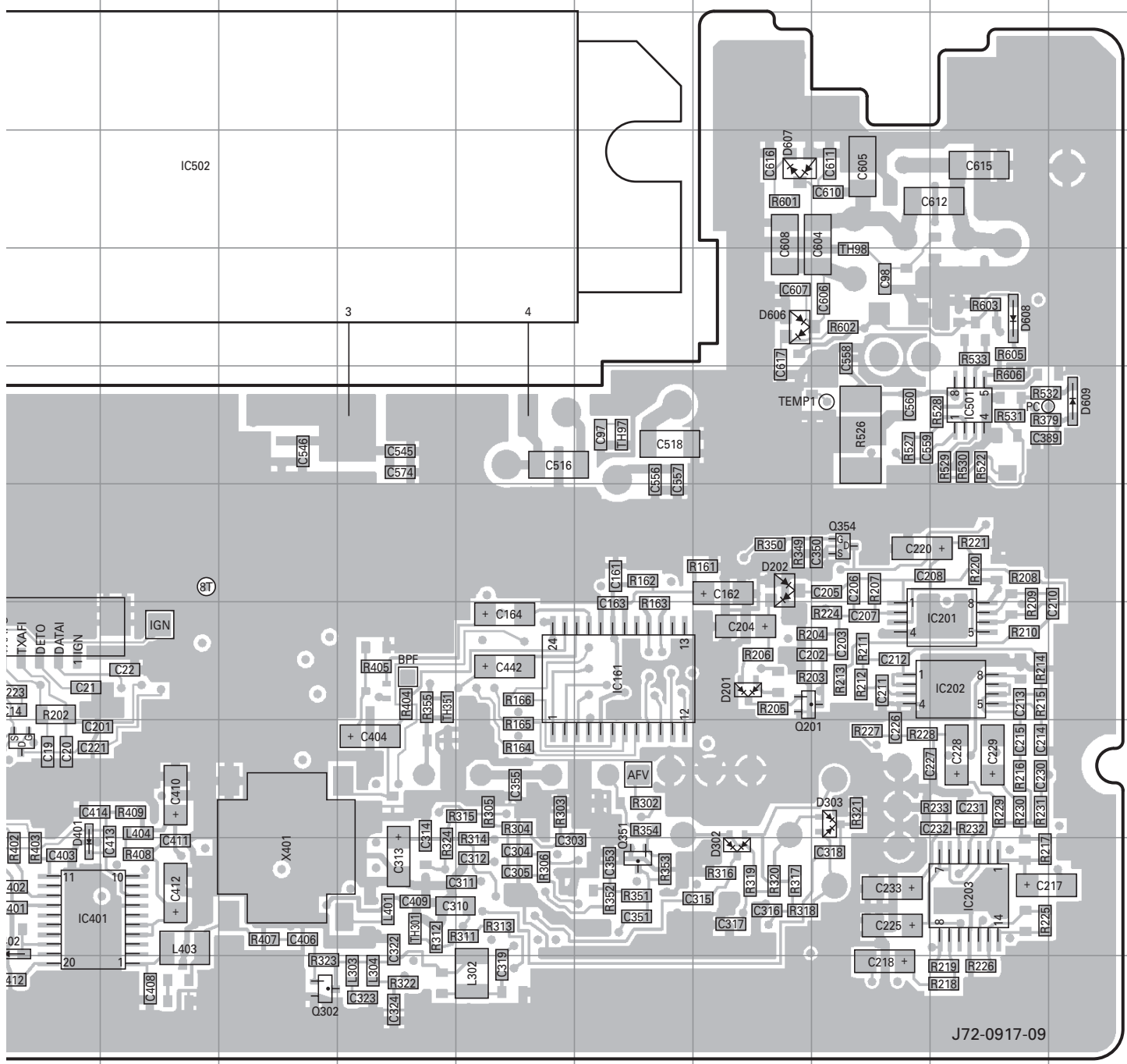
Ref. No.	Address	Ref. No.	Address
IC2	11I	Q11	12E
Q6	11C	D17	12J
Q9	11F	D18	12D
Q10	11C	D27	11B





# PC BOARD TK-7100

TX-RX UNIT (X57-6910-XX) -20 : K,M -21 : M2  
Component side view (J72-0917-09)







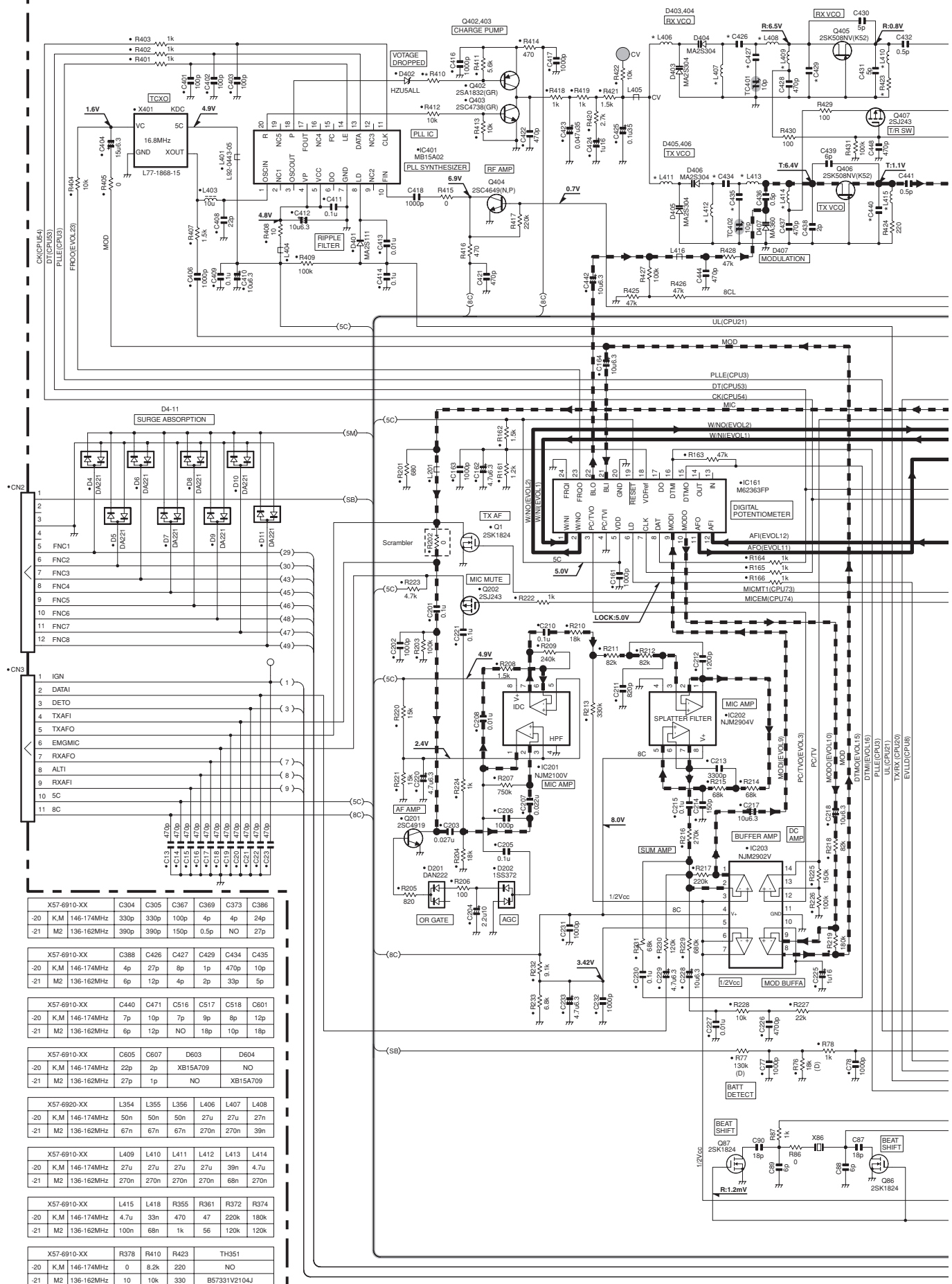






# TK-7100 SCHEMATIC DIAGRAM

TX-RX UNIT (X57-6910-XX)

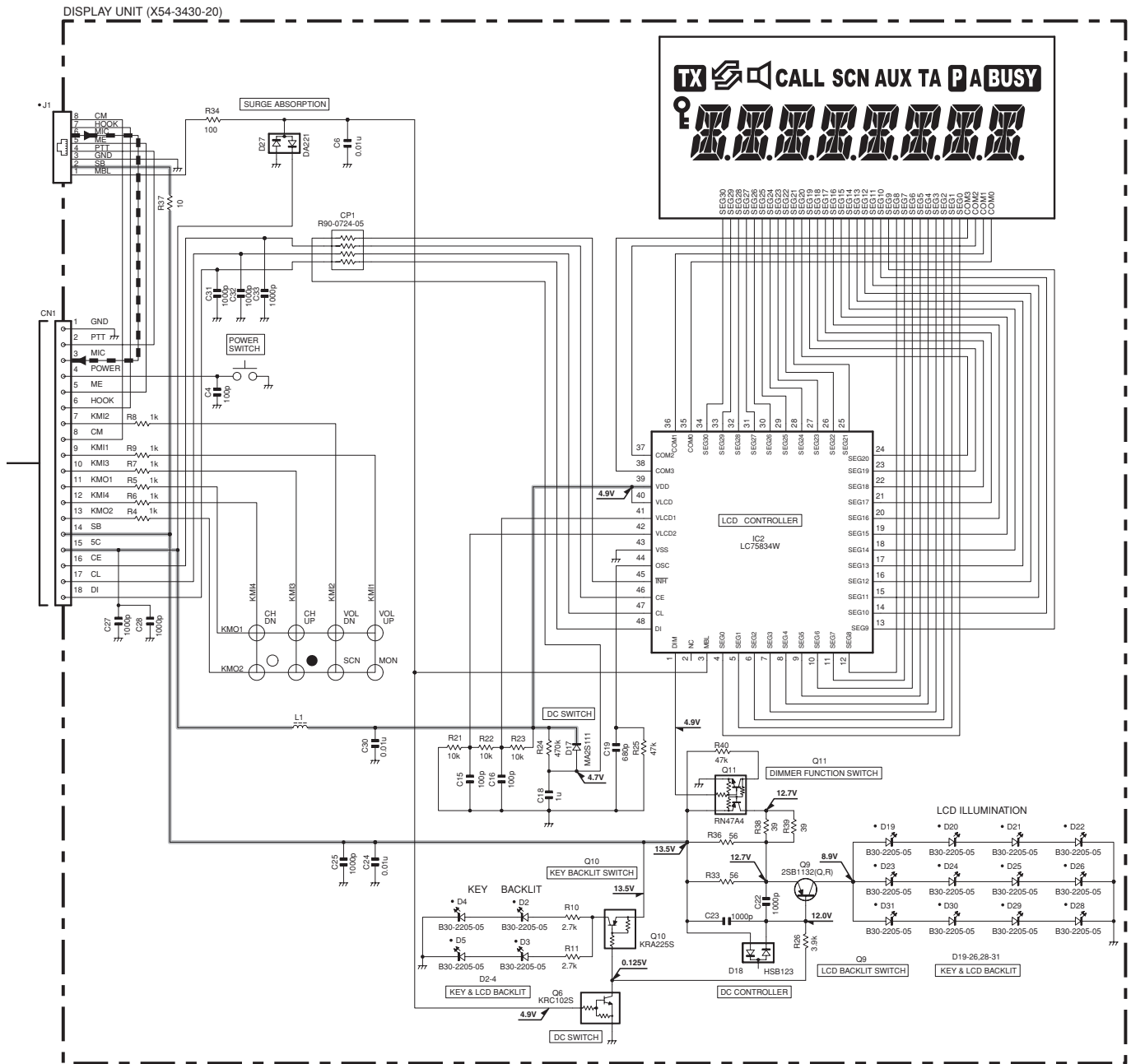


X57-6910-XX	C304	C305	C367	C369	C373	C386
-20 K/M	146-174MHz	330p	330p	100p	4p	24p
-21 M2	136-162MHz	390p	390p	150p	0.5p	NO
X57-6910-XX	C388	C426	C427	C429	C434	C435
-20 K/M	146-174MHz	4p	27p	8p	1p	470p
-21 M2	136-162MHz	6p	12p	4p	2p	33p
X57-6910-XX	C440	C471	C516	C517	C518	C601
-20 K/M	146-174MHz	7p	10p	7p	9p	8p
-21 M2	136-162MHz	6p	12p	NO	18p	10p
X57-6910-XX	C605	C607	D603	D604		
-20 K/M	146-174MHz	22p	2p	XB15A709	NO	
-21 M2	136-162MHz	27p	1p	NO	XB15A709	
X57-6920-XX	L354	L355	L356	L406	L407	L408
-20 K/M	146-174MHz	50n	50n	50n	27u	27u
-21 M2	136-162MHz	67n	67n	67n	270n	39n
X57-6910-XX	L409	L410	L411	L412	L413	L414
-20 K/M	146-174MHz	27u	27u	27u	27u	39n
-21 M2	136-162MHz	270n	270n	270n	68n	270n
X57-6910-XX	L415	L418	R355	R361	R372	R374
-20 K/M	146-174MHz	4.7u	33n	470	47	220k
-21 M2	136-162MHz	100n	68n	1k	56	120k
X57-6910-XX	R378	R410	R423	TH351		
-20 K/M	146-174MHz	0	8.2k	220	NO	
-21 M2	136-162MHz	10	10k	330	B57331V2104J	





# SCHEMATIC DIAGRAM TK-7100



**Note :** The components marked with a dot (•) are parts of layer 1.



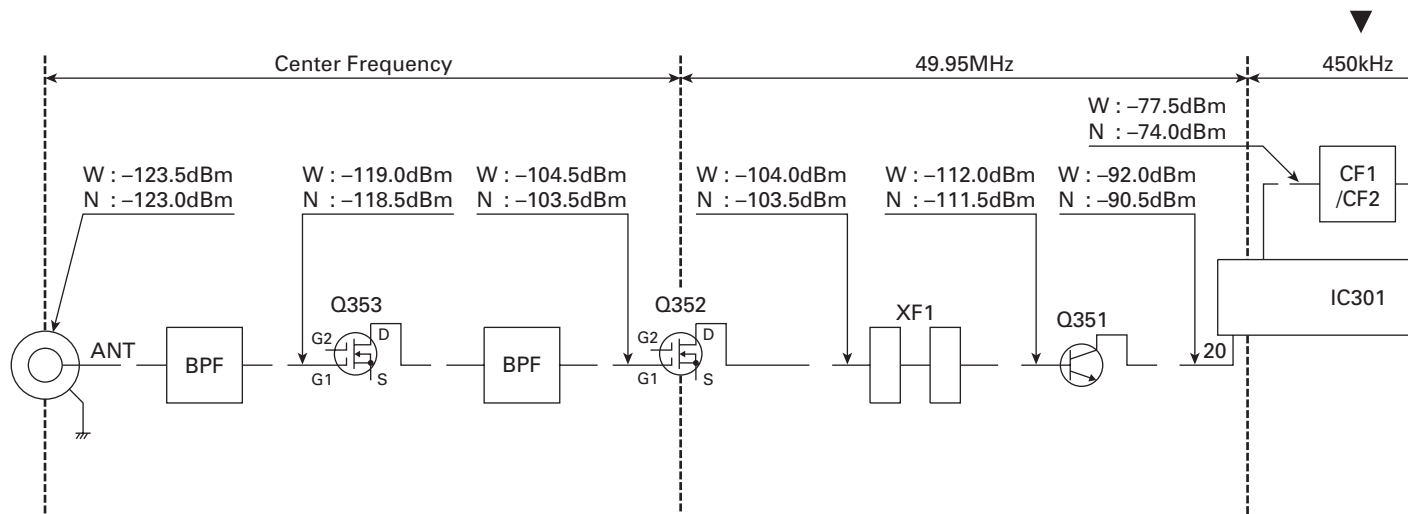






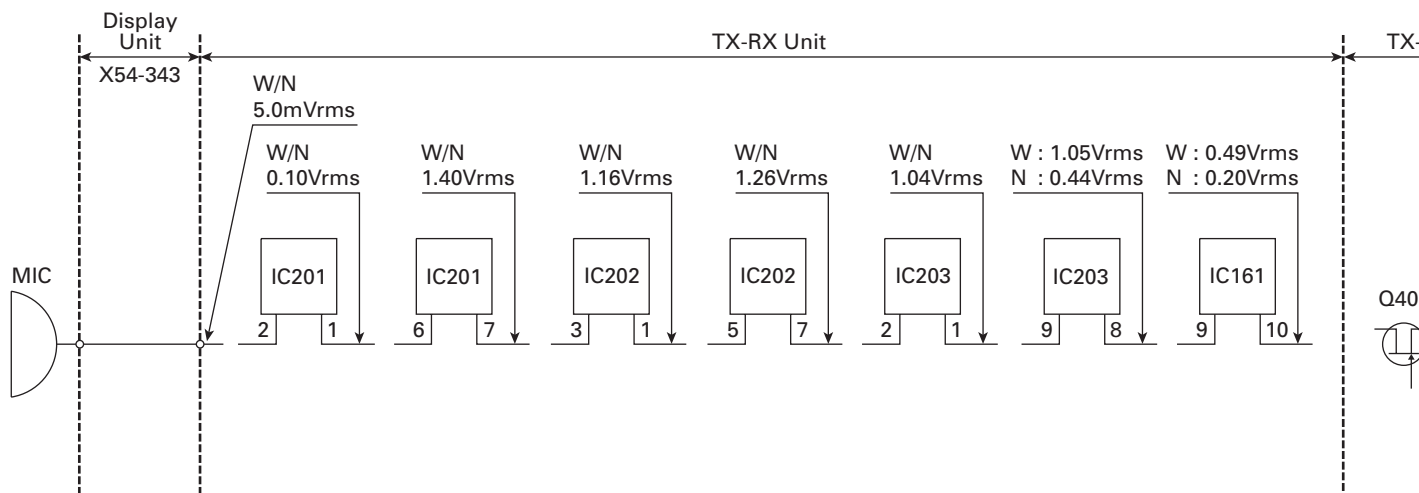
## LEVEL DIAGRAM

### Receiver Section



To make measurements in the RF section, connect the RF level meter. In the RF section, use a 0.01 $\mu$ F coupling capacitor. (The display shows the SSG input value required to obtain 12dB SINAD)

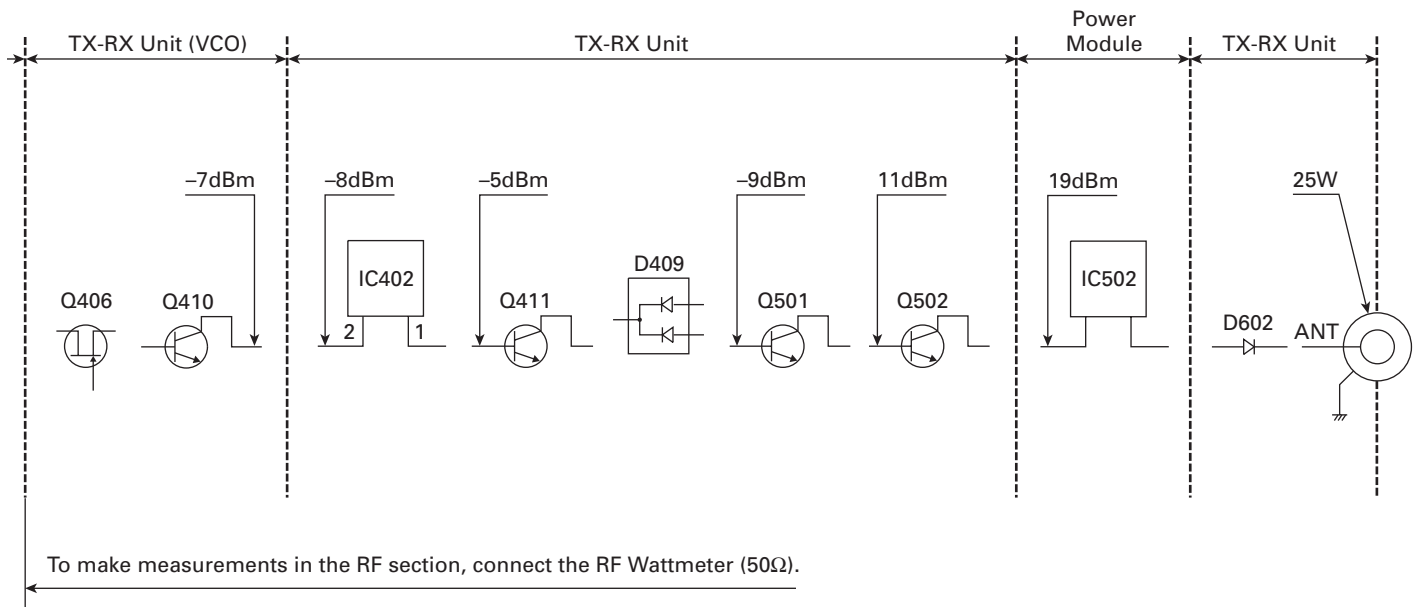
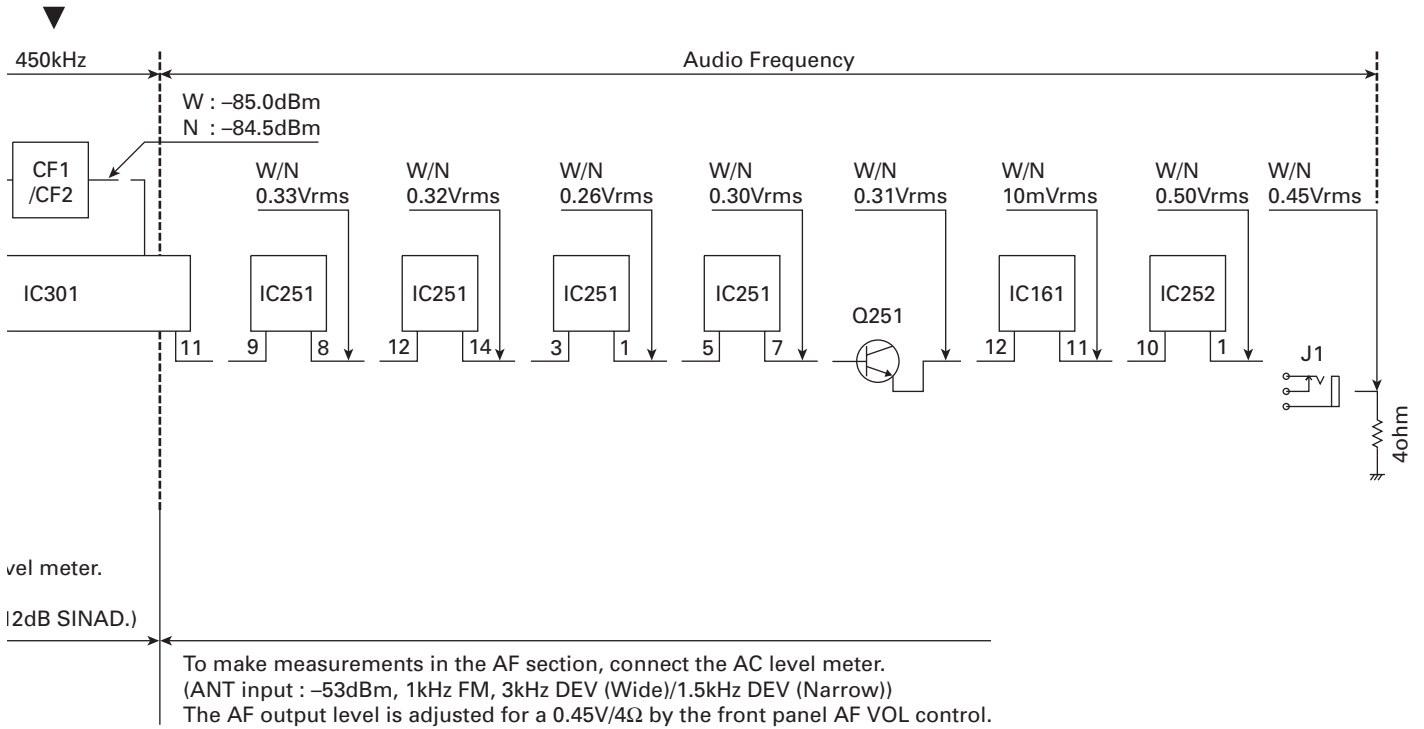
### Transmitter Section



To make measurements in the AF section, connect the AC level meter. AG is set so that MIC input becomes 3kHz/1.5kHz (Wide/Narrow) DEV at 1kHz MOD.

To m:

## LEVEL DIAGRAM



## TERMINAL FUNCTION

### CN1

No.	Name	I/O	Function
1	DI		Data
2	CL		Clock
3	CE		Chip enable
4	5C		5V
5	SB		Switched B
6	KMO2	O	Key matrix output 2
7	KMI4	I	Key matrix input 4
8	KMO1	O	Key matrix output 1
9	KMI3	I	Key matrix input 3
10	KMI1	I	Key matrix input 1
11	CM		MIC data detection
12	KMI2	I	Key matrix input 2
13	HOOK		Hook detection/RXD
14	ME		MIC ground
15	POWER		Power switch
16	MIC	I	MIC signal input
17	PTT		PTT/TXD
18	GND		Ground

### CN2

No.	Name	I/O	Function
1	SB	O	Battery voltage DC supply
2	NC	-	-
3	GND	O	Ground
4	DETO2	O	FM detector output
5	FNC1	I/O	Programable I/O (programmed by FPU)
6	FNC2	I/O	Programable I/O (programmed by FPU)
7	FNC3	I/O	Programable I/O (programmed by FPU)
8	FNC4	I/O	Programable I/O (programmed by FPU)
9	FNC5	I/O	Programable I/O (programmed by FPU)
10	FNC6	I/O	Programable I/O (programmed by FPU)
11	FNC7	I/O	Programable I/O (programmed by FPU)
12	FNC8	I/O	Programable I/O (programmed by FPU)

### Function Port Assignment

KDS100, KGP-2A/2B		
	Name	I/O
FNC1	-	-
FNC2	-	-
FNC3	Data Channel	I
FNC4	PTT	I
FNC5	Carrier Operated Relay	O
FNC6	Audio Mute	I
FNC7	Mic Mute	I
FNC8	TX Relay	O
SmarTrunk II		
	Name	I/O
FNC1	TXD	O
FNC2	RXD	I
FNC3	Reset	O
FNC4	-	-
FNC5	-	-
FNC6	-	-
FNC7	-	-
FNC8	-	-
Scrambler		
	Name	I/O
FNC1	-	-
FNC2	-	-
FNC3	TX Relay	O
FNC4	Scrambler	O
FNC5	Scrambler Code1 (1)	O
FNC6	Scrambler Code2 (2)	O
FNC7	Scrambler Code3 (4)	O
FNC8	Scrambler Code4 (8)	O

Port Function is Low Active. (Exclude : Scrambler Code)

### CN3

No.	Name	I/O	Function
1	IGN	I	Ignition sens input
2	DATAI	I	External transmit signal input
3	DETO	O	FM detector output
4	TXAFI	I	TX audio input from scrambler board
5	TXAFO	O	TX audio output to scrambler board
6	EMGMIC	I	Emergency MIC input (1kHz/1.2mVrms)
7	RXAFO	O	RX audio output to scrambler board
8	ALTI	I	External alert tone signal input
9	RXAFI	I	RX audio input from scrambler board
10	5C	O	5V DC power supply (50mA MAX)
11	8C	O	8V DC power supply (50mA MAX)

## SPECIFICATIONS

### GENERAL

Frequency Range .....	K,M : 146 to 174MHz	M2 : 136 to 162MHz
Channels / Groups .....	64CH / 8GRP	
Channel Spacing .....	Wide : 25kHz	Narrow : 12.5kHz
PLL Channel Stepping .....	2.5, 5, 6.25, 7.5kHz	
Operating Voltage .....	13.6V DC $\pm$ 15%	
Current Drain .....	Less than 0.4A on standby	
	Less than 1.0A on receive	
	Less than 8.0A on transmit	
Operating Temperature Range .....	-30°C to +60°C	
Dimensions & Weight .....	160 W x 43 H x 107 D mm, 1.0kg	
Channel Frequency Spread .....	K,M : 28MHz	M2 : 26MHz

### RECEIVER (Measurements made per EIA standard EIA/TIA-603)

Sensitivity (12dB SINAD) .....	Wide : 0.28 $\mu$ V	Narrow : 0.35 $\mu$ V
Selectivity .....	Wide : 75dB	Narrow : 65dB
Intermodulation .....	Wide : 70dB	Narrow : 60dB
Spurious Response .....	75dB	
Audio Power Output .....	4.0W	
Frequency Stability .....	$\pm$ 2.5ppm	

### TRANSMITTER (Measurements made per EIA standard EIA/TIA-603)

RF Power Output .....	High : 25W	Low : 5W
Spurious and Harmonics .....	70dB	
Modulation .....	Wide : 16K0F3E	Narrow : 11K0F3E
FM Noise .....	Wide : 45dB	Narrow : 40dB
Audio Distortion .....	Less than 3%	
Frequency Stability .....	$\pm$ 2.5ppm	

# TK-7100

## **KENWOOD CORPORATION**

2967-3, Ishikawa-machi, Hachioji-shi, Tokyo, 192-8525 Japan

### **KENWOOD U.S.A. CORPORATION**

P.O. BOX 22745, 2201 East Dominguez Street, Long Beach, CA 90801-5745, U.S.A.

### **KENWOOD ELECTRONICS CANADA INC.**

6070 Kestrel Road, Mississauga, Ontario, Canada L5T 1S8

### **KENWOOD ELECTRONICS DEUTSCHLAND GMBH**

Rembrücker Str. 15, 63150 Heusenstamm, Germany

### **KENWOOD ELECTRONICS BELGIUM N.V.**

Leuvensesteenweg 248 J, 1800 Vilvoorde, Belgium

### **KENWOOD ELECTRONICS FRANCE S.A.**

13, Boulevard Ney, 75018 Paris, France

### **KENWOOD ELECTRONICS U.K. LIMITED**

KENWOOD House, Dwight Road, Watford, Herts., WD18 9EB United Kingdom

### **KENWOOD ELECTRONICS EUROPE B.V.**

Amsterdamseweg 37, 1422 AC Uithoorn, The Netherlands

### **KENWOOD ELECTRONICS ITALIA S.p.A.**

Via G. Sirtori, 7/9 20129 Milano, Italy

### **KENWOOD IBERICA S.A.**

Bolivia, 239-08020 Barcelona, Spain

### **KENWOOD ELECTRONICS AUSTRALIA PTY. LTD.**

(A.C.N. 001 499 074)

16 Giffnock Avenue, Centrecourt Estate, North Ryde, N.S.W. 2113 Australia

### **KENWOOD ELECTRONICS (HONG KONG) LTD.**

Unit 3712-3724, Level 37, Tower one Metroplaza, 223 Hing Fong Road, Kwai Fong, N.T., Hong Kong

### **KENWOOD ELECTRONICS SINGAPORE PTE LTD.**

1 Genting Lane #07-00 Kenwood Building, Singapore 349544

