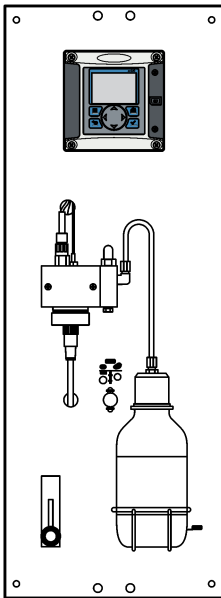




DOC023.98.93069

# Polymetron 9586 Oxygen Scavenger Analyzer

05/2018, Edition 6



**Basic User Manual**  
**Allgemeines Benutzerhandbuch**  
**Manuale di base per l'utente**  
**Manuel d'utilisation de base**  
**Manual básico del usuario**  
**Manual básico do utilizador**  
**基本用户手册**  
**Základní uživatelská příručka**  
**Basisgebruikershandleiding**  
**Podstawowa instrukcja obsługi**  
**Allmän användarhandbok**  
**Peruskäyttöohje**  
**Alapvető felhasználói kézikönyv**  
**Начальное руководство пользователя**  
**Temel Kullanıcı Kılavuzu**

English .....	3
Deutsch .....	24
Italiano .....	47
Français .....	70
Español .....	93
Português .....	116
中文 .....	138
Čeština .....	158
Nederlands .....	180
Polski .....	202
Svenska .....	225
Suomi .....	246
Magyar .....	268
Русский .....	290
Türkçe .....	314

## Table of contents

[Specifications](#) on page 3

[General information](#) on page 5

[Installation](#) on page 7

[Startup](#) on page 16

[User interface and navigation](#) on page 16

[Operation](#) on page 19

[Maintenance](#) on page 21

[Troubleshooting](#) on page 22

[Replacement parts and accessories](#) on page 22

## Expanded manual version

For additional information, refer to the expanded version of this manual, which is available on the manufacturer's website.

## Specifications

Specifications are subject to change without notice.


### Panel

Specification	Details
Dimensions	817 x 300 x 140 mm (32.2 x 11.8 x 5.5 in)
Weight	14.6 kg (32.15 lbs)
Sample flow rate	10—15 liters/hour
Working pressure	0.5—6 bar (7—87 psi)
Ambient temperature	0—60 °C (-32—140 °F)
Relative humidity	10—90%
Working electrode	Platinum
Counter electrode	Stainless steel
Reference	Ag / AgCl / KCl 0.1 M
Measuring cell	Acrylic
Sample conditioner	DIPA (diisopropylamine)
European standards	EN 61326 Class A for EMC; EN 601010-1 for low voltage safety
International standards	cETLus

### Sensor

Specification	Details
Measuring range	0—500 ppb hydrazine; 0—100 ppb carbohydrazide
Sensitivity	< 0.2 ppb
Repeatability	1 ppb or ± 2% of measurement whichever is the greater
Detection limit	≤ 1 ppb
Response time	< 60 seconds
Sample temperature measurement range	5—45 °C (41—113 °F)

## Controller

Specification	Details
Component description	Microprocessor-controlled and menu-driven controller that operates the sensor and displays measured values.
Operating temperature	-20 to 60 °C (-4 to 140 °F); 95% relative humidity, non-condensing with sensor load <7 W; -20 to 50 °C (-4 to 104 °F) with sensor load <28 W
Storage temperature	-20 to 70 °C (-4 to 158 °F); 95% relative humidity, non-condensing
Enclosure <sup>1</sup>	NEMA 4X/IP66 metal enclosure with a corrosion-resistant finish
Power requirements	<p><b>AC powered controller:</b> 100-240 VAC ±10%, 50/60 Hz; Power 50 VA with 7 W sensor/network module load, 100 VA with 28 W sensor/network module load (optional Modbus, RS232/RS485, Profibus DPV1 or HART network connection).</p> <p><b>24 VDC powered controller:</b> 24 VDC—15%, + 20%; Power 15 W with 7 W sensor/network module load, 40 W with 28 W sensor/network module load (optional Modbus, RS232/RS485, Profibus DPV1 or HART network connection).</p>
Altitude requirements	Standard 2000 m (6562 ft) ASL (Above Sea Level)
Pollution degree/Installation category	Pollution Degree 2; Installation Category II
Outputs	Two analog (0-20 mA or 4-20 mA) outputs. Each analog output can be assigned to represent a measured parameter such as pH, temperature, flow or calculated values. Optional module supplies three additional analog outputs (5 total).
Relays	Four SPDT, user-configured contacts, rated 250 VAC, 5 Amp resistive maximum for the AC powered controller and 24 VDC, 5A resistive maximum for the DC powered controller. Relays are designed for connection to AC Mains circuits (i.e., whenever the controller is operated with 115 - 240 VAC power) or DC circuits (i.e., whenever the controller is operated with 24 VDC power).
Dimensions	½ DIN—144 x 144 x 180.9 mm (5.7 x 5.7 x 7.12 in.)
Weight	1.7 kg (3.75 lb)
EMC requirements	EN61326-1: EMC Directive <i>Note: This is a Class A product. In a domestic environment this product may cause radio interference in which case the user may be required to take adequate measures.</i>
 Korean registration	<p><b>User Guidance for EMC Class A Equipment</b></p> <p>업무용을 위한 EMC 등급 A 장치에 대한            사용자 지침            사용자안내문            A 급 기기 ( 업무용 방송통신기자재 )            이 기기는 업무용 (A 급) 전자파적합기기로서 판매자 또는 사용자는 이 점을 주의하시기 바라며, 가정외의 지역에서 사용하는 것을 목적으로 합니다.</p>
CE compliance	EN61010-1: LVD Directive
Digital communication	Optional Modbus, RS232/RS485, Profibus DPV1 or HART network connection for data transmission
Data logging	Secure Digital Card (32 GB maximum) or special RS232 cable connector for data logging and performing software updates. The controller will keep approximately 20,000 data points per sensor.
Warranty	2 years

<sup>1</sup> Units that have the Underwriters Laboratories (UL) certification are intended for indoor use only and do not have a NEMA 4X/IP66 rating.

## General information

In no event will the manufacturer be liable for direct, indirect, special, incidental or consequential damages resulting from any defect or omission in this manual. The manufacturer reserves the right to make changes in this manual and the products it describes at any time, without notice or obligation. Revised editions are found on the manufacturer's website.

## Safety information

### NOTICE

The manufacturer is not responsible for any damages due to misapplication or misuse of this product including, without limitation, direct, incidental and consequential damages, and disclaims such damages to the full extent permitted under applicable law. The user is solely responsible to identify critical application risks and install appropriate mechanisms to protect processes during a possible equipment malfunction.

Please read this entire manual before unpacking, setting up or operating this equipment. Pay attention to all danger and caution statements. Failure to do so could result in serious injury to the operator or damage to the equipment.

Make sure that the protection provided by this equipment is not impaired. Do not use or install this equipment in any manner other than that specified in this manual.

### Use of hazard information

#### ▲ DANGER

Indicates a potentially or imminently hazardous situation which, if not avoided, will result in death or serious injury.

#### ▲ WARNING

Indicates a potentially or imminently hazardous situation which, if not avoided, could result in death or serious injury.

#### ▲ CAUTION






Indicates a potentially hazardous situation that may result in minor or moderate injury.



### NOTICE

Indicates a situation which, if not avoided, may cause damage to the instrument. Information that requires special emphasis.

## Precautionary labels

Read all labels and tags attached to the instrument. Personal injury or damage to the instrument could occur if not observed. A symbol on the instrument is referenced in the manual with a precautionary statement.

	This is the safety alert symbol. Obey all safety messages that follow this symbol to avoid potential injury. If on the instrument, refer to the instruction manual for operation or safety information.
	This symbol indicates that a risk of electrical shock and/or electrocution exists.
	This symbol indicates the presence of devices sensitive to Electro-static Discharge (ESD) and indicates that care must be taken to prevent damage with the equipment.
	This symbol, when noted on a product, indicates the instrument is connected to alternate current.
	Electrical equipment marked with this symbol may not be disposed of in European domestic or public disposal systems. Return old or end-of-life equipment to the manufacturer for disposal at no charge to the user.

	<p>Products marked with this symbol indicates that the product contains toxic or hazardous substances or elements. The number inside the symbol indicates the environmental protection use period in years.</p>
	<p>Products marked with this symbol indicates that the product conforms to relevant South Korean EMC standards.</p>

## Certification

### Canadian Radio Interference-Causing Equipment Regulation, IECS-003, Class A:

Supporting test records reside with the manufacturer.

This Class A digital apparatus meets all requirements of the Canadian Interference-Causing Equipment Regulations.

### FCC Part 15, Class "A" Limits

Supporting test records reside with the manufacturer. The device complies with Part 15 of the FCC Rules. Operation is subject to the following conditions:

1. The equipment may not cause harmful interference.
2. The equipment must accept any interference received, including interference that may cause undesired operation.

Changes or modifications to this equipment not expressly approved by the party responsible for compliance could void the user's authority to operate the equipment. This equipment has been tested and found to comply with the limits for a Class A digital device, pursuant to Part 15 of the FCC rules. These limits are designed to provide reasonable protection against harmful interference when the equipment is operated in a commercial environment. This equipment generates, uses and can radiate radio frequency energy and, if not installed and used in accordance with the instruction manual, may cause harmful interference to radio communications. Operation of this equipment in a residential area is likely to cause harmful interference, in which case the user will be required to correct the interference at their expense. The following techniques can be used to reduce interference problems:

1. Disconnect the equipment from its power source to verify that it is or is not the source of the interference.
2. If the equipment is connected to the same outlet as the device experiencing interference, connect the equipment to a different outlet.
3. Move the equipment away from the device receiving the interference.
4. Reposition the receiving antenna for the device receiving the interference.
5. Try combinations of the above.

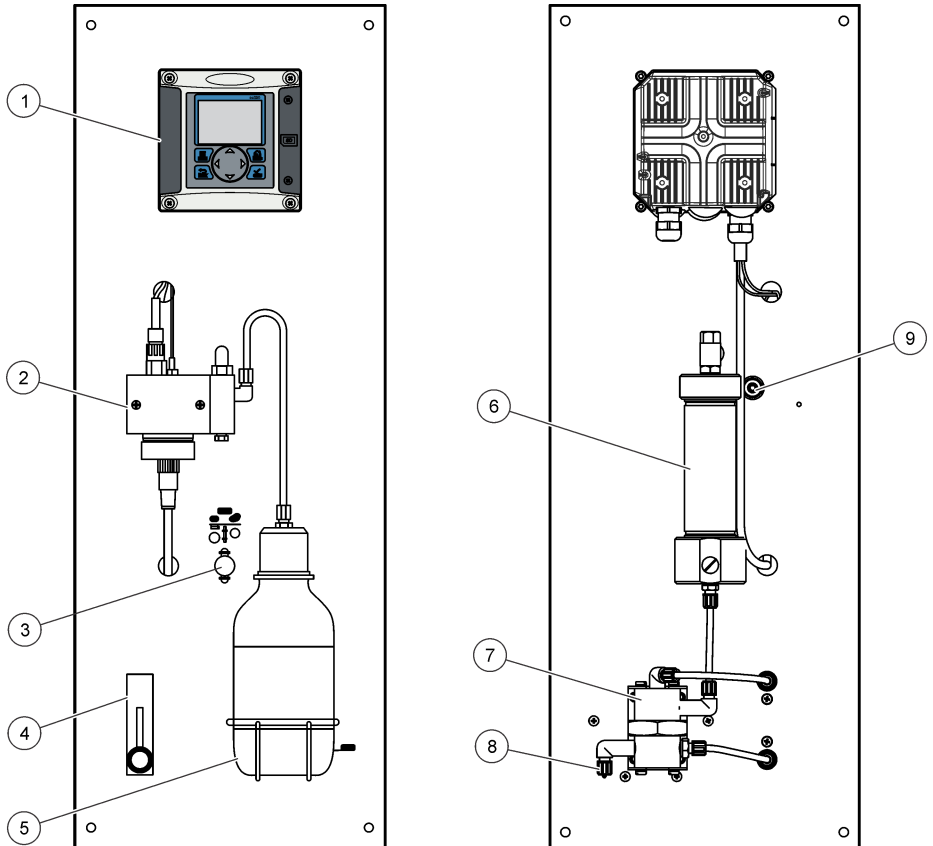
## Product components

Make sure that all components have been received. If any items are missing or damaged, contact the manufacturer or a sales representative immediately.

## Product overview

The analyzer is designed to continuously measure the amount of oxygen scavengers (hydrazine or carbohydrazide) in water.

**Figure 1 Front and rear view**



1 Controller	6 Chemical zero cartridge (option)
2 Measuring cell	7 Pressure regulator
3 Chemical zero on/off (option)	8 Sample in, 4/6 mm tube
4 Flow meter	9 Sample drain, 6/8 mm tube, atmospheric pressure
5 Sample conditioning bottle (DIPA)	

## Installation

### ▲ CAUTION



Multiple hazards. Only qualified personnel must conduct the tasks described in this section of the document.

## Analyzer mounting

### ⚠ CAUTION

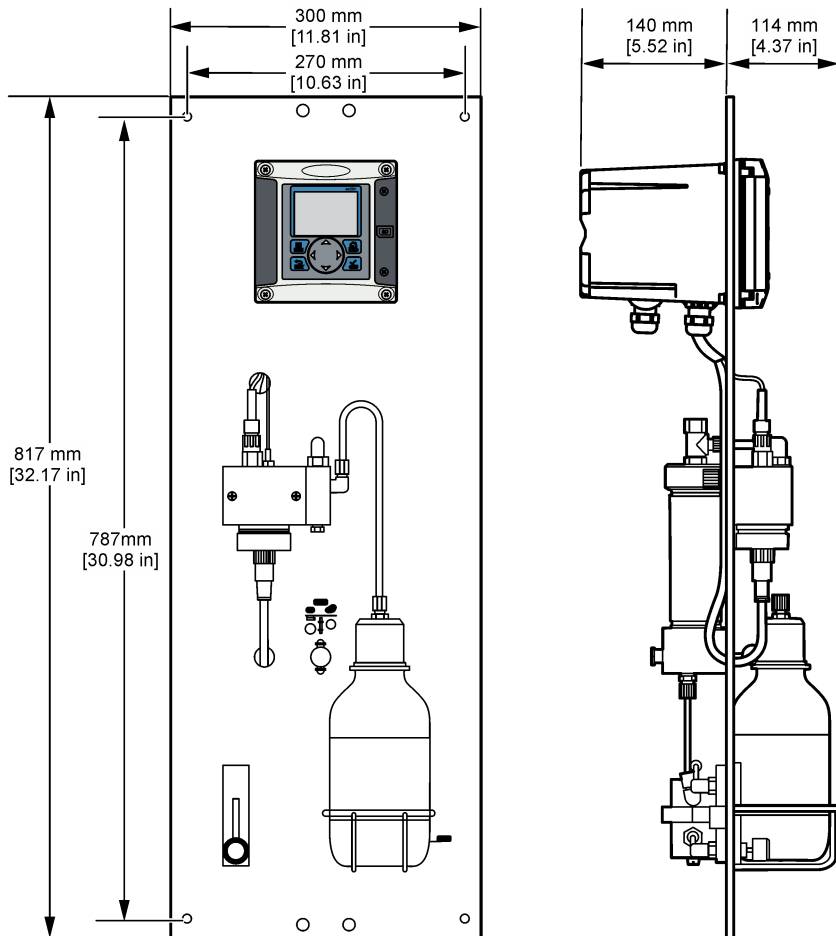
Personal injury hazard. Instruments or components are heavy. Use assistance to install or move. Make sure that the wall mounting is able to hold 4 times the weight of the equipment.

### NOTICE

The analyzer must be aligned vertically to guarantee accuracy.

Attach the analyzer to a stable, vertical surface. Use a level to make sure that the analyzer is completely vertical. Refer to the guidelines that follow.

- Put the instrument in a location that has access for operation, service and calibration.
- Make sure that there is good view of the display and controls.
- Keep the instrument away from a heat source.
- Keep the instrument away from vibrations.
- Keep the sample tubing as short as possible to minimize the response time.
- Make sure that there is no air in the sample supply line.



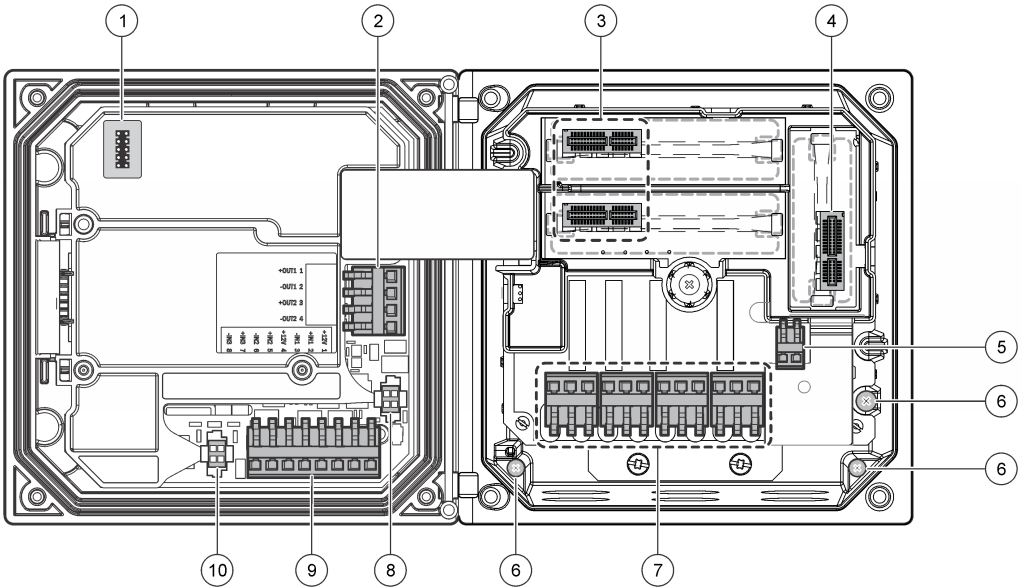


## Wiring overview

Figure 2 shows an overview of the wiring connections inside the controller with the high voltage barrier removed. The left side of the figure shows the back side of the controller cover.

**Note:** Remove connector caps from the connectors before module installation.

**Figure 2** Wiring connections overview



1 Service cable connection	5 AC and DC power connector <sup>2</sup>	9 Discrete input wiring connector <sup>2</sup>
2 4-20 mA output <sup>2</sup>	6 Ground terminals	10 Digital sensor connector <sup>2</sup>
3 Sensor module connector	7 Relay connections <sup>2</sup>	
4 Communication module connector (e.g., Modbus, Profibus, HART, optional 4-20 mA module, etc.)	8 Digital sensor connector <sup>2</sup>	

### High-voltage barrier

High-voltage wiring for the controller is located behind the high-voltage barrier in the controller enclosure. The barrier must remain in place except when installing modules or when a qualified installation technician is wiring for power, alarms, outputs or relays. Do not remove the barrier while power is applied to the controller.

### Wiring for power

#### ⚠ WARNING



Potential Electrocution Hazard. Always disconnect power to the instrument when making electrical connections.

<sup>2</sup> Terminals can be removed for improved access.

## ⚠ WARNING



Potential Electrocutation Hazard. If this equipment is used outdoors or in potentially wet locations, a **Ground Fault Interrupt** device must be used for connecting the equipment to its mains power source.

## ⚠ DANGER



Electrocutation Hazard. Do not connect AC power to a 24 VDC powered model.

## ⚠ WARNING



Potential Electrocutation Hazard. A protective earth (PE) ground connection is required for both 100-240 VAC and 24 VDC wiring applications. Failure to connect a good PE ground connection can result in shock hazards and poor performance due to electromagnetic interferences. ALWAYS connect a good PE ground to the controller terminal.

## NOTICE

Install the device in a location and position that gives easy access to the disconnect device and its operation.

The controller can be purchased as either a 100-240 VAC powered model or a 24 VDC powered model. Follow the appropriate wiring instructions for the purchased model.

The controller can be wired for line power by hard-wiring in conduit or wiring to a power cord. Regardless of the wire used, the connections are made at the same terminals. A local disconnect designed to meet local electrical code is required and must be identified for all types of installation. In hard-wired applications, the power and safety ground service drops for the instrument must be 18 to 12 AWG. Make sure that the field wiring insulation is rated 80 °C (176 °F) minimum.

### Notes:

- The voltage barrier must be removed before making any electrical connections. After making all connections, replace the voltage barrier before closing the controller cover.
- A sealing type strain relief and a power cord less than 3 meters (10 feet) in length with three 18-gauge conductors (including a safety ground wire) can be used to maintain the NEMA 4X/IP66 environmental rating.
- Controllers can be ordered with AC power cords pre-installed. Additional power cords may also be ordered.
- The DC power source that supplies power to the 24 VDC powered controller must maintain voltage regulation within the specified 24 VDC-15% +20% voltage limits. The DC power source must also provide adequate protection against surges and line transients.

### Wiring procedure

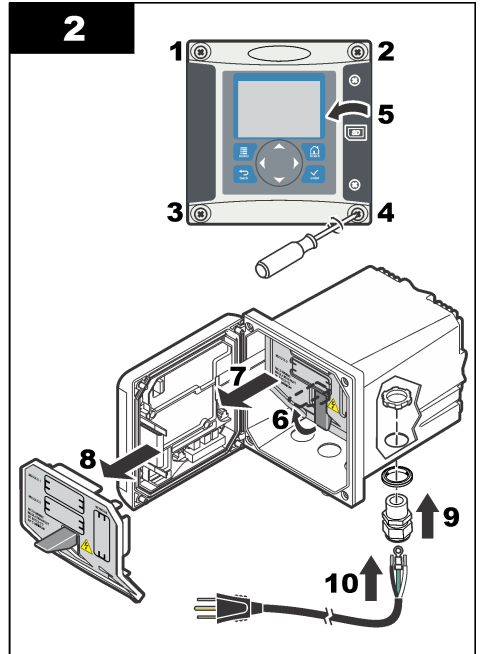
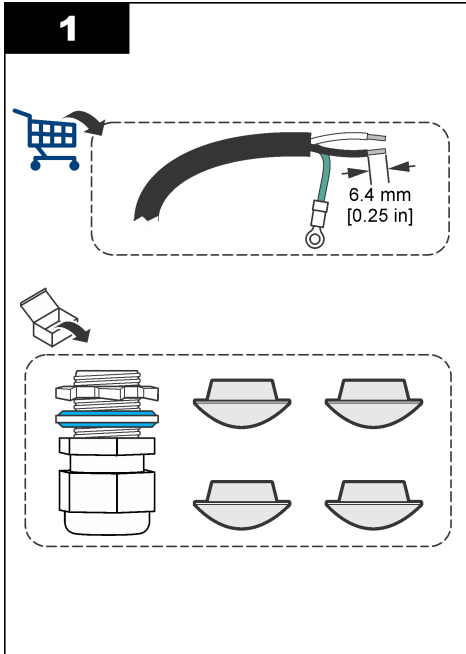
Refer to the illustrated steps that follow and [Table 1](#) or [Table 2](#) to wire the controller for power. Insert each wire into the appropriate terminal until the insulation is seated against the connector with no bare wire exposed. Tug gently after insertion to make sure that there is a secure connection. Seal any unused openings in the controller box with conduit opening sealing plugs.

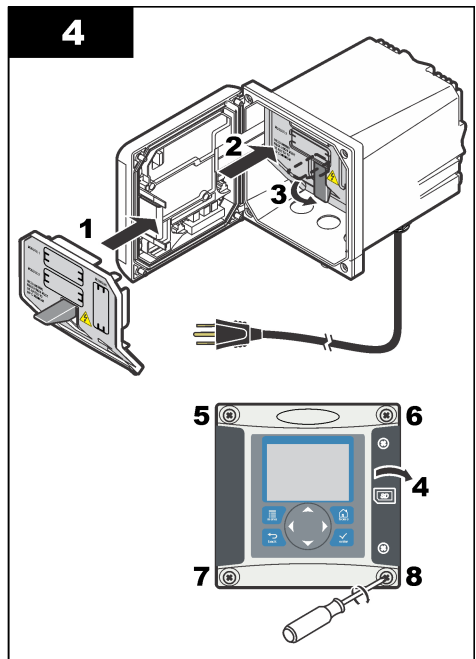
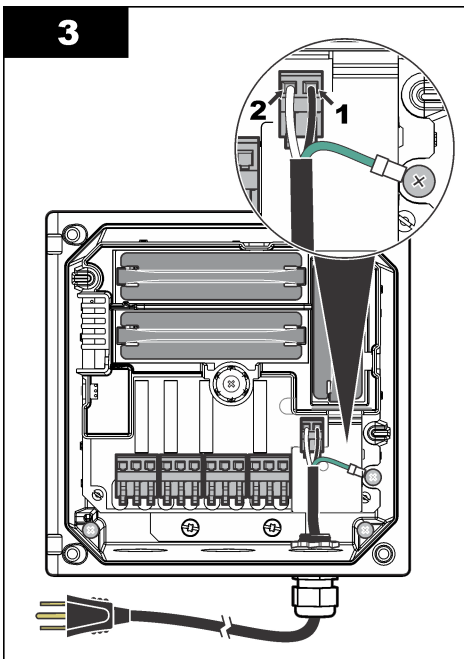
**Table 1 AC power wiring information (AC powered models only)**

Terminal	Description	Color—North America	Color—EU
1	Hot (L1)	Black	Brown
2	Neutral (N)	White	Blue
—	Protective Earth (PE) Ground lug	Green	Green with yellow stripe

**Table 2 DC power wiring information (DC powered models only)**

Terminal	Description	Color—North America	Color—EU
1	+24 VDC	Red	Red
2	24 VDC return	Black	Black
—	Protective Earth (PE) Ground lug	Green	Green with yellow stripe





## Alarms and relays

The controller is equipped with four unpowered, single pole relays rated 100-250 VAC, 50/60 Hz, 5 amp resistive maximum. Contacts are rated 250 VAC, 5 amp resistive maximum for the AC powered controller and 24 VDC, 5A resistive maximum for the DC powered controller. The relays are not rated for inductive loads.

### Wiring relays

<b>▲ WARNING</b>	
	Potential Electrocutation Hazard. Always disconnect power to the instrument when making electrical connections.
<b>▲ WARNING</b>	
	Potential fire hazard. The relay contacts are rated 5A and are not fused. External loads connected to the relays must have current limiting devices provided to limit current to < 5 A.
<b>▲ WARNING</b>	
	Potential fire hazard. Do not daisy-chain the common relay connections or jumper wire from the mains power connection inside the instrument.
<b>▲ WARNING</b>	
	Potential electrocution hazard. In order to maintain the NEMA/IP environmental ratings of the enclosure, use only conduit fittings and cable glands rated for at least NEMA 4X/IP66 to route cables in to the instrument.

### AC line (100—250 V) powered controllers

## ⚠ WARNING



Potential electrocution hazard. AC mains powered controllers (115 V–230 V) are designed for relay connections to AC mains circuits (i.e., voltages greater than 16 V-RMS, 22.6 V-PEAK or 35 VDC).

The wiring compartment is not designed for voltage connections in excess of 250 VAC.

### 24 VDC powered controllers

## ⚠ WARNING



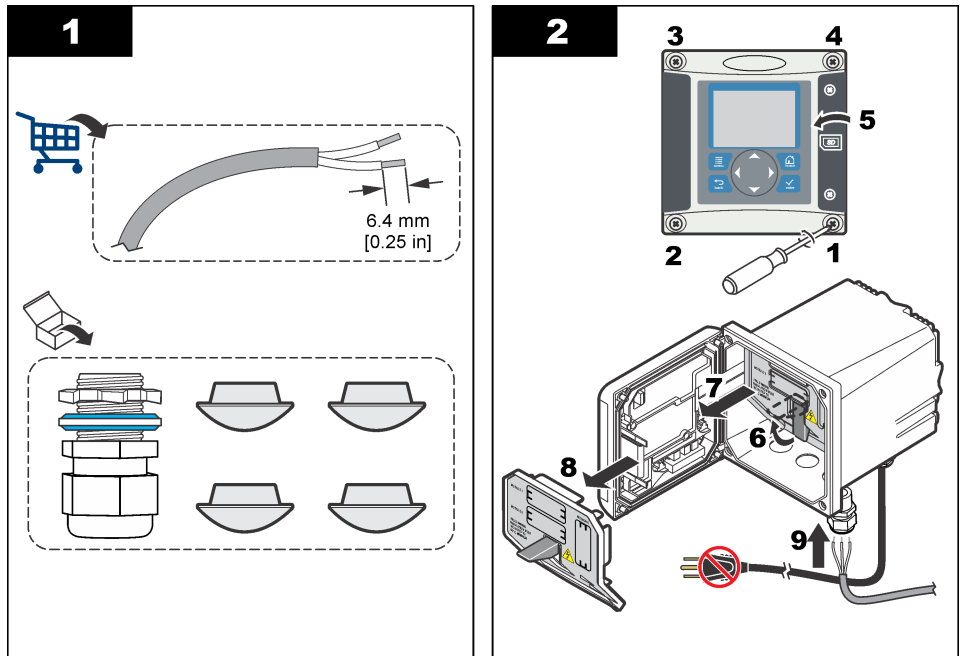
Potential electrocution hazard. 24 V powered controllers are designed for relay connections to low voltage circuits (i.e., voltages less than 16 V-RMS, 22.6 V-PEAK or 35 VDC).

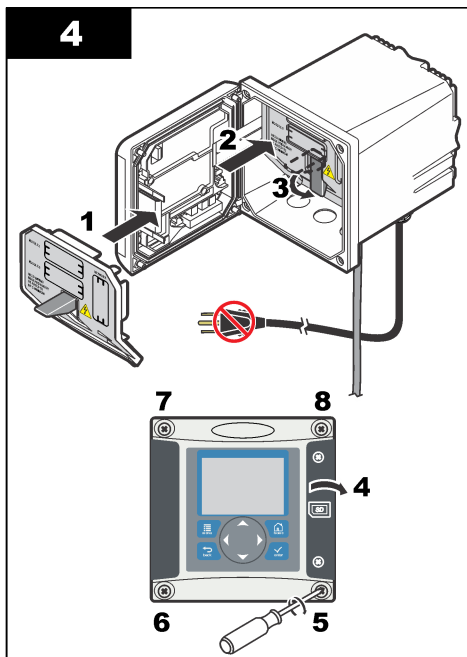
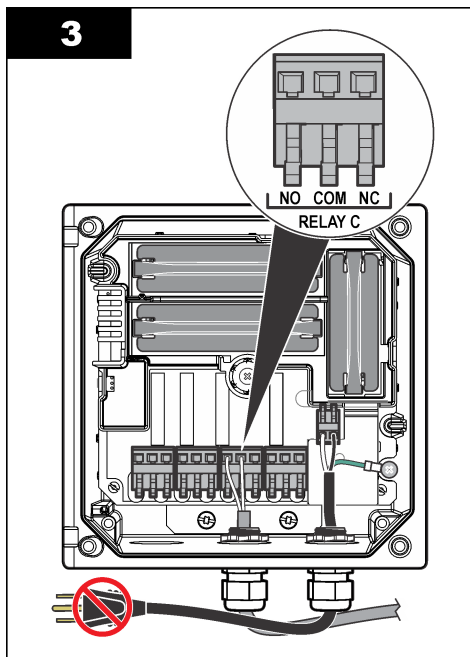
The 24 VDC controller relays are designed for the connection to low voltage circuits (i.e., voltages less than 30 V-RMS, 42.2 V-PEAK or 60 VDC). The wiring compartment is not designed for voltage connections above these levels.

The relay connector accepts 18–12 AWG wire (as determined by load application). Wire gauge less than 18 AWG is not recommended. Make sure that the field wiring insulation is rated 80 °C (176 °F) minimum.

The Normally Open (NO) and Common (COM) relay contacts will be connected when an alarm or other condition is active. The Normally Closed (NC) and Common relay contacts will be connected when an alarm or other condition is inactive (unless the Fail Safe is set to Yes) or when power is removed from the controller.

Most relay connections use either the NO and COM terminals or the NC and COM terminals. The numbered installation steps show connection to the NO and COM terminals.





### Analog output connections

#### ▲ WARNING



Potential Electrocution Hazard. Always disconnect power to the instrument when making electrical connections.

#### ▲ WARNING



Potential electrocution hazard. In order to maintain the NEMA/IP environmental ratings of the enclosure, use only conduit fittings and cable glands rated for at least NEMA 4X/IP66 to route cables in to the instrument.

Two isolated analog outputs (1 and 2) are provided (Figure 3). Such outputs are commonly used for analog signaling or to control other external devices.

Make wiring connections to the controller as shown in Figure 3 and Table 3.

**Note:** Figure 3 shows the back of the controller cover and not the inside of the main controller compartment.

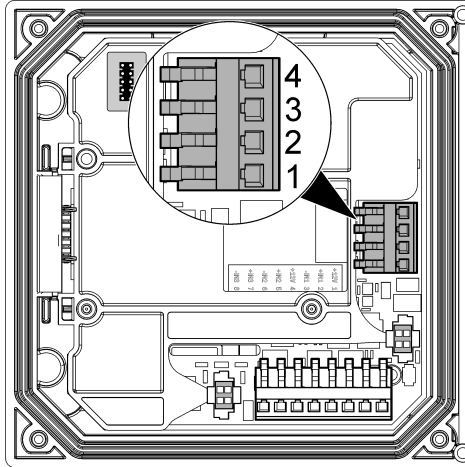
**Table 3 Output connections**

Recorder wires	Circuit board position
Output 2–	4
Output 2+	3
Output 1–	2
Output 1+	1

1. Open the controller cover.
2. Feed the wires through the strain relief.
3. Adjust the wire as necessary and tighten the strain relief.

4. Make connections with twisted-pair shielded wire and connect the shield at the controlled component end or at the control loop end.
  - Do not connect the shield at both ends of the cable.
  - Use of non-shielded cable may result in radio frequency emission or susceptibility levels higher than allowed.
  - Maximum loop resistance is 500 ohm.
5. Close the controller cover and tighten the cover screws.
6. Configure outputs in the controller.

**Figure 3 Analog output connections**



### **Connect the optional digital communication output**

The manufacturer supports Modbus RS485, Modbus RS232, Profibus DPV1 and HART communication protocols. The optional digital output module is installed in the location indicated by item 4 in [Figure 2](#) on page 9. Refer to the instructions supplied with the network module for more details.

### **Plumb the sample and drain lines**

Connect the sample and drain lines to the fittings on the back of the panel.

1. Connect the sample line to the inlet 4/6-mm OD tube fitting.
2. Connect a drain line to the drain 6/8-mm OD tube fitting. Keep the drain line as short as possible at atmospheric pressure.

## Install the reagents

### ▲ WARNING



Chemical exposure hazard. Obey laboratory safety procedures and wear all of the personal protective equipment appropriate to the chemicals that are handled. Refer to the current safety data sheets (MSDS/SDS) for safety protocols.



1. Fill the empty sample conditioning bottle with DIPA (diisopropylamine) and enter the hazardous reagent information on the blank label attached to the bottle.
2. Install the sample conditioning bottle on the front of the analyzer.
3. Connect the supplied tube to the measuring cell. Install the tube completely into the bottle of conditioning solution. Make sure that the tube fittings are tight to prevent leakage of fumes from the conditioning bottle into the atmosphere.
4. If the chemical zero cartridge is used, install the cartridge on the rear of the analyzer.

## Startup

Make sure that the flow rate and pressure do not exceed the values in [Specifications](#) on page 3.

1. Open the valve on the sample line to let sample flow through the analyzer.
2. Turn the knob on the flow meter to set the flow rate.
3. Examine the plumbing for leaks and stop any leaks if found.
4. Apply power to the controller.
5. Make the applicable menu selections when the controller starts.

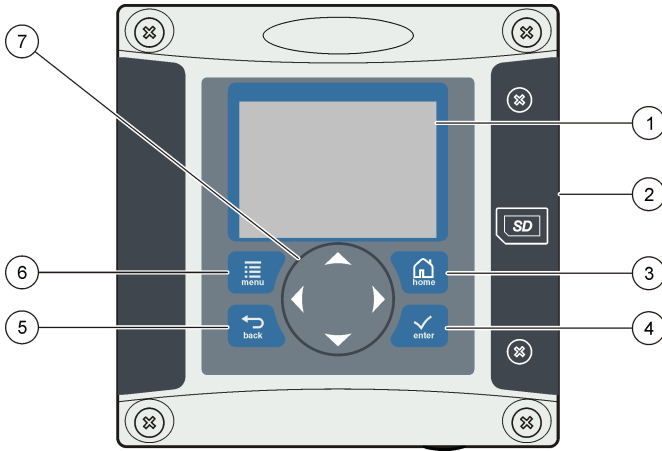
## User interface and navigation

### User interface

The keypad has four menu keys and four directional keys as shown in [Figure 4](#).



**Figure 4 Keypad and front panel overview**



1 Instrument display	5 <b>BACK</b> key. Moves back one level in the menu structure.
2 Cover for secure digital memory card slot	6 <b>MENU</b> key. Moves to the Settings Menu from other screens and submenus.
3 <b>HOME</b> key. Moves to the Main Measurement screen from other screens and submenus.	7 Directional keys. Used to navigate through the menus, change settings, and increment or decrement digits.
4 <b>ENTER</b> key. Accepts input values, updates, or displayed menu options.	

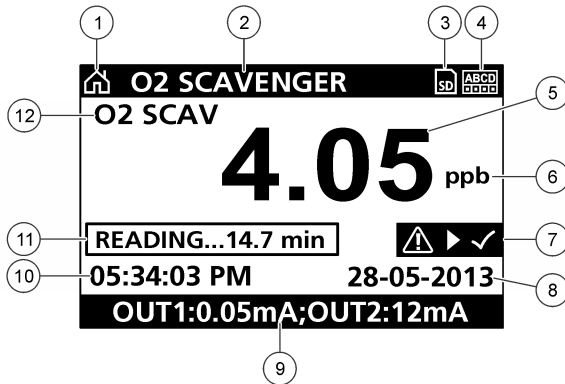
Inputs and outputs are set up and configured through the front panel using the keypad and display screen. This user interface is used to set up and configure inputs and outputs, create log information and calculated values, and calibrate sensors. The SD interface can be used to save logs and update software.

## Display

Figure 5 shows an example of the main measurement screen with the sensor connected to the controller.

The front panel display screen shows sensor measurement data, calibration and configuration settings, errors, warnings and other information.

**Figure 5 Example of Main Measurement screen**



1 Home screen icon	7 Warning status bar
2 Sensor name	8 Date
3 SD Memory card icon	9 Analog output values
4 Relay status indicator	10 Time
5 Measurement value	11 Progress bar
6 Measurement unit	12 Measurement parameter

**Table 4 Icon descriptions**

Icon	Description
Home screen	The icon may vary depending on the screen or menu being displayed. For example, if an SD card is installed, an SD card icon appears here when the user is in the SD Card Setup menu.
SD memory card	This icon appears only if an SD card is in the reader slot. When a user is in the SD Card Setup menu, this icon appears in the upper left corner.
Warning	A warning icon consists of an exclamation point within a triangle. Warning icons appear on the right of the main display below the measurement value. Push the <b>ENTER</b> key then select the device to view any problems associated with that device. The warning icon will no longer be displayed once all problems have been corrected or acknowledged.
Error	An error icon consists of an exclamation point within a circle. When an error occurs, the error icon and the measurement screen flash alternately in the main display. To view errors, push the <b>MENU</b> key and select <b>Diagnostics</b> . Then select the device to view any problems associated with that device.

### Additional display formats

- From the Main Measurement screen push the **UP** and **DOWN** arrow keys to switch between measurement parameters
- From the Main Measurement screen push the **RIGHT** arrow key to switch to a split display of up to 4 measurement parameters. Push the **RIGHT** arrow key to include additional measurements. Push the **LEFT** arrow key as needed to return to the Main Measurement screen
- From the Main Measurement screen push the **LEFT** arrow key to switch to the graphical display (see [Graphical display](#) on page 18 to define the parameters). Push the **UP** and **DOWN** arrow keys to switch measurement graphs

### Graphical display

The graph shows concentration and temperature measurements for each channel in use. The graph supplies easy monitoring of trends and shows changes in the process.

1. From the graphical display screen use the up and down arrow keys to select a graph and push the **HOME** key.
2. Select an option:

Option	Description
<b>MEASUREMENT VALUE</b>	Set the measurement value for the selected channel. Select between Auto Scale and Manually Scale. For manual scaling enter the minimum and maximum measurement values
<b>DATE &amp; TIME RANGE</b>	Select the date and time range from the available options

## Operation

### Configure the sensor

Use the CONFIGURE menu to enter identification information for the sensor and to change options for data handling and storage.

1. Push the **menu** key, select SENSOR SETUP>CONFIGURE.
2. Use the arrow keys to select an option and push **enter**. To enter numbers, characters or punctuation, push and hold the **up** or **down** arrow keys. Push the **right** arrow key to advance to the next space.

Option	Description
<b>EDIT NAME</b>	Changes the name that corresponds to the sensor on the top of the measure screen. The name is limited to 16 characters in any combination of letters, numbers, spaces or punctuation.
<b>SENSOR S/N</b>	Allows the user to enter the serial number of the sensor, limited to 16 characters in any combination of letters, numbers, spaces or punctuation.
<b>MEAS UNITS</b>	Changes the measurement units—Select the unit from the list available.
<b>TEMP UNITS</b>	Sets the temperature units to °C (default) or °F
<b>FILTER</b>	Sets a time constant to increase signal stability. The time constant calculates the average value during a specified time—0 (no effect, default) to 60 seconds (average of signal value for 60 seconds). The filter increases the time for the sensor signal to respond to actual changes in the process.
<b>LOG SETUP</b>	Sets the time interval for data storage in the data log—5, 30 seconds, 1, 2, 5, 10, 15 (default), 30, 60 minutes.
<b>RESET DEFAULTS</b>	Sets the configuration menu to the default settings. All sensor information is lost.

## Calibration

### About sensor calibration

The sensor characteristics slowly shift over time and cause the sensor to lose accuracy. The sensor must be calibrated regularly to maintain accuracy. The calibration frequency varies with the application and is best determined by experience.

### Temperature calibration

It is recommended to calibrate the temperature sensor once a year. Calibrate the temperature sensor before calibrating the measurement sensor.

1. Measure the temperature of the water with an accurate thermometer or independent instrument.
2. Push the **menu** key and select SENSOR SETUP>CALIBRATE.
3. If the pass code is enabled in the security menu for the controller, enter the pass code.
4. Select 1 PT TEMP CAL and push **enter**.
5. The raw temperature value is displayed. Push **enter**.

6. Enter the correct value if different from that displayed and push **enter**.
7. Push **enter** to confirm the calibration. The temperature offset is displayed.

### Zero calibration

The zero value has been factory calibrated. Use the zero calibration procedure to define the unique zero point of the sensor.

1. If the sample concentration is < 10 ppb, for best results it is recommended to use the optional zero calibration cartridge (refer to [Replacement parts and accessories](#) on page 22) and leave the sensor in place. Otherwise remove the sensor from the process and rinse in distilled water.
2. Push the **menu** key and select SENSOR SETUP>CALIBRATE.
3. If the pass code is enabled in the security menu for the controller, enter the pass code.
4. Select ZERO CAL and push **enter**.
5. Select the option for the output signal during calibration:

Option	Description
<b>ACTIVE</b>	The instrument sends the current measured output value during the calibration procedure.
<b>HOLD</b>	The sensor output value is held at the current measured value during the calibration procedure.
<b>TRANSFER</b>	A preset output value is sent during calibration. Refer to the controller user manual to change the preset value.

6. If not using the optional zero calibration cartridge place the clean sensor in a hydrazine free solution such as ultra pure water, push **enter**.
7. Wait for up to one hour for the value to stabilize and push **enter**.
8. Review the calibration result:
  - PASS—the sensor is calibrated and the offset is displayed.
  - FAIL—the calibration is outside of accepted limits. Clean the sensor and retry. Refer to [Troubleshooting](#) on page 22 for more information.
9. If the calibration passed, push **enter** to continue.
10. If the option for operator ID is set to YES in the CAL OPTIONS menu, enter an operator ID. Refer to [Change calibration options](#) on page 21.
11. On the NEW SENSOR screen, select whether the sensor is new:

Option	Description
<b>YES</b>	The sensor was not calibrated previously with this controller. The days of operation and previous calibration curves for the sensor are reset.
<b>NO</b>	The sensor was calibrated previously with this controller.

12. If not using the optional zero calibration cartridge return the sensor to the process and push **enter**. The output signal returns to the active state and the measured sample value is shown on the measure screen.

**Note:** If the output mode is set to hold or transfer, select the delay time when the outputs return to the active state.

### Calibration with the process sample

The sensor can remain in the process sample.

1. Push the **menu** key and select SENSOR SETUP>CALIBRATE.
2. If the pass code is enabled in the security menu for the controller, enter the pass code.
3. Select SAMPLE CAL and push **enter**.

- Select the option for the output signal during calibration:

Option	Description
<b>ACTIVE</b>	The instrument sends the current measured output value during the calibration procedure.
<b>HOLD</b>	The sensor output value is held at the current measured value during the calibration procedure.
<b>TRANSFER</b>	A preset output value is sent during calibration. Refer to the controller user manual to change the preset value.

- With the sensor in the process sample, push **enter**. The measured value is shown. Wait for the value to stabilize and push **enter**.
- With a certified secondary verification instrument measure the concentration value of the sample. To avoid impurities in the sample take the measurement before the sample enters the flow chamber. Use the arrow keys to enter this value if different from the value displayed and push **enter**.
- Review the calibration result:
  - PASS**—the sensor is calibrated and the calibration factor is displayed.
  - FAIL**—the calibration is outside of accepted limits. Clean the sensor and retry. Refer to [Troubleshooting](#) on page 22 for more information.
- If the calibration passed, push **enter** to continue.
- If the option for operator ID is set to YES in the CAL OPTIONS menu, enter an operator ID. Refer to [Change calibration options](#) on page 21.
- On the NEW SENSOR screen, select whether the sensor is new:

Option	Description
<b>YES</b>	The sensor was not calibrated previously with this controller. The days of operation and previous calibration curves for the sensor are reset.
<b>NO</b>	The sensor was calibrated previously with this controller.

- With the sensor still in the process push **enter**. The output signal returns to the active state and the measured sample value is shown on the measure screen.

**Note:** If the output mode is set to hold or transfer, select the delay time when the outputs return to the active state.

## Change calibration options

The user can set a calibration reminder or include an operator ID with calibration data from this menu.

- Push the **menu** key and select SENSOR SETUP>CALIBRATE.
- If the pass code is enabled in the security menu for the controller, enter the pass code.
- Select CAL OPTIONS and push **enter**.
- Use the arrow keys to select an option and push **enter**.

Option	Description
<b>CAL REMINDER</b>	Sets a reminder for the next calibration in days, months or years—select the required delay from the list.
<b>OP ID ON CAL</b>	Includes an operator ID with calibration data—YES or NO (default). The ID is entered during the calibration.

## Maintenance

### ▲ DANGER

Multiple hazards. Only qualified personnel must conduct the tasks described in this section of the document.

# Cleaning and decontamination

## ⚠ DANGER

Always remove power from the controller before performing maintenance activities.

The analyzer does not normally require any cleaning or decontamination. If needed, clean the exterior of the instrument with a moist cloth and a mild soap solution. Never use cleaning agents such as turpentine, acetone or similar products to clean the instrument, including the display and any accessories.

# Troubleshooting

## Warning list

A warning icon consists of an exclamation point within a triangle. Warning icons appear on the right of the main display below the measurement value. A warning does not affect the operation of menus, relays and outputs. To view warnings, push the **menu** key and select DIAGNOSTICS. Then select the device to view any problems associated with that device. The warning icon will no longer be displayed once the problem has been corrected or acknowledged.

A list of possible warnings is shown in [Table 5](#).

**Table 5 Warning list for oxygen scavenger sensors**

Warning	Description	Resolution
O2 SCAVENGER TOO HIGH	The measured value is > 10000 ppm	Make sure that the oxygen scavenger (hydrazine or carbohydrazide) level in the process water is within the operating limits of the sensor. Calibrate or replace the sensor.
O2 SCAVENGER TOO LOW	The measured value is < 0 ppm	Calibrate or replace the sensor.
TEMP TOO HIGH	The measured temperature is > 50 °C	Reduce sample temperature.
TEMP TOO LOW	The measured temperature is < 0 °C	Increase sample temperature.
CURRENT TOO HIGH	The measured current > 200 mA	Make sure that the oxygen scavenger (hydrazine or carbohydrazide) level in the process water is within the operating limits of the sensor. Calibrate or replace the sensor.
CURRENT TOO LOW	The measured current < -0.5 mA	Calibrate or replace the sensor.
CAL OVERDUE	The Cal Reminder time has expired	Calibrate the sensor.
REPLACE SENSOR	The sensor has been in operation > 365 days	Replace the sensor cartridge and calibrate the sensor. If the calibration result is pass, reset the membrane days in the DIAG/TEST menu.
NOT CALIBRATED	The sensor has not been calibrated	Calibrate the sensor.
CAL IN PROGRESS	A calibration was started but not completed	Return to calibration.

# Replacement parts and accessories

Refer to the replacement parts and accessories section of the controller documentation for controller parts and accessories.

**Note:** Product and article numbers may vary for some selling regions. Contact the appropriate distributor or refer to the company website for contact information.

### Spare parts kit for 2 years - 09186=A=8000

Description	Quantity	Item no.
Filter	6	363877,06000
Reference electrode	1	368429,00000
Venturi injection nozzle	1	359090,00024
O-Ring for Venturi injection nozzle	1	356099,05090
Plastic cleaning beads	7	588801,75008
4 × 6 mm PE tubing	2 meters	151575,00006

### Measuring cell

Description	Item no.
Measuring cell	09186=A=0100
Reference electrode	368429,00000
Working electrode	09186=A=0300
Inlet elbow fitting G1/8 DN 4/6	359103,10070
Outlet fitting G1/8 DN6/8	359103,10055
Plug NPT1/8	431=201=018
Conditioning bottle with equipment	09186=A=0200
Brown glass bottle	490=010=011
Porous cartridge	09073=C=0340
Fitting G1/8 DN4/6	359103,10065
Equipped flow rate controller	09186=A=0400
Inlet fitting G1/4 DN4/6	587=006=002
Short elbow fitting G1/4 DN4/6	359103,10072
Long elbow fitting G1/4 DN4/6	587=906=002
Flow meter	694=000=001
Elbow fitting NPT1/8 DN4/6	359103,10170

### Accessories

Description	Item no.
Cartridge for chemical zero calibration	09186=A=0600

# Inhaltsverzeichnis

[Spezifikationen](#) auf Seite 24

[Allgemeine Informationen](#) auf Seite 26

[Installation](#) auf Seite 28

[Inbetriebnahme](#) auf Seite 38

[Benutzeroberfläche und Navigation](#) auf Seite 38

[Betrieb](#) auf Seite 41

[Wartung](#) auf Seite 44

[Fehlerbehebung](#) auf Seite 44

[Ersatzteile und Zubehör](#) auf Seite 45

## Erweiterte Version des Handbuchs

Zusätzliche Informationen finden Sie in der ausführlichen Version dieser Bedienungsanleitung auf der Website des Herstellers.

## Spezifikationen

Die Spezifikationen können ohne Vorankündigung Änderungen unterliegen.

### Panel

Spezifikation	Details
Abmessungen	817 x 300 x 140 mm (32,2 x 11,8 x 5,5 in)
Gewicht	14,6 kg (32,15 lbs)
Probenflussrate	10—15 l/h
Betriebsdruck	0,5—6 bar (7—87 psi)
Umgebungstemperatur	0—60 °C (-32—140 °F)
Relative Feuchtigkeit	10—90%
Arbeitselektrode	Platin
Zählwerkelektrode	Edelstahl
Referenz	Ag / AgCl / KCl 0,1 M
Messzelle	Acryl
Probenkonditionierer	DIPA (Diisopropylamin)
Europäische Standards	EN 61326 für EMV-Klasse A; EN 601010-1 für Niederspannungssicherheit
Internationale Standards	cETLus

### Sensor

Spezifikation	Details
Messbereich	0—500 ppb Hydrazin; 0—100 ppb Carbohydrazid
Empfindlichkeit	< 0,2 ppb
Wiederholbarkeit	1 ppb oder $\pm 2\%$ der Anzeige, je nachdem, welcher Wert größer ist
Erfassungsgrenze	< 1 ppb
Reaktionszeit	< 60 Sekunden
Temperaturmessbereich Probe	5—45 °C (41—113 °F)



## Controller

Spezifikation	Details
Beschreibung der Bauteile	Mikroprozessor- und menügesteuerter Controller, der Sensoren ansteuert und Messwerte anzeigt.
Betriebstemperatur	-20 bis 60° C (-4 bis 140 F); 95 % relative Luftfeuchtigkeit, nicht kondensierend mit Sensorleistung <7 W; -20 bis 50° C (-4 bis 104° F) mit Sensorlast <28 W
Lagerungstemperatur	-20 bis 70° C (-4 bis 158° F), 95 % relative Luftfeuchtigkeit, nicht kondensierend
Gehäuse <sup>1</sup>	NEMA 4X/IP66 Metallgehäuse mit korrosionsbeständiger Oberfläche
Stromversorgung	<b>Controller mit Wechselspannungsversorgung:</b> 100-240 V~ ±10 %, 50/60 Hz; Leistung 50 VA bei Sensor-/Netzwerkmodullast von 7 W, 100 VA bei Sensor-/Netzwerkmodullast von 28 W (Modbus-, RS232/RS485-, Profibus DPV1- oder HART-Netzwerkverbindung optional).
	<b>Controller mit 24-Volt-Gleichstromversorgung:</b> 24 V= -15 % + 20 %; Leistung 15 W bei Sensor-/Netzwerkmodullast von 7 W, 40 W bei Sensor-/Netzwerkmodullast von 28 W (Modbus-, RS232/RS485-, Profibus DPV1- oder HART-Netzwerkverbindung optional).
Höhenanforderungen	Standardmäßig 2000 m ü. M. (über Meeresspiegel)
Verschmutzungsgrad / Installationskategorie	Verschmutzungsgrad 2; Einbaukategorie II
Ausgänge	Zwei Analogausgänge (0-20 mA oder 4-20 mA). Jeder analoge Ausgang lässt sich Messgrößen wie pH, Temperatur, Durchfluss oder berechneten Werten zuordnen. Das optionale Modul wendet drei zusätzliche analoge Ausgänge an (insgesamt 5).
Relais	Für SPDT, benutzerkonfigurierte Kontakte, mit folgenden Nennwerten: 250 V~, max. Schaltlast 5 A bei wechselstrombetriebenen Controllern bzw. 24 V=, max. Schaltlast 5 A bei gleichstrom betriebenen Controllern. Relais sind für den Anschluss an das Stromnetz (bei Betrieb des Controllers mit 115 - 240 VAC) oder eine Gleichspannungsversorgung (bei Betrieb des Controllers mit 24 VDC) ausgelegt.
Abmessungen	½ DIN—144 x 144 x 180,9 mm (5,7 x 5,7 x 7,12 Zoll)
Gewicht	1,7 kg / 3,75 lb
EMV-Anforderungen	EN61326-1: EMV-Richtlinie <i>Hinweis: Dies ist ein Produkt der Klasse A. In Haushalsumgebungen kann dieses Produkt Funkstörungen verursachen, die dazu führen können, dass der Benutzer Gegenmaßnahmen ergreifen muss.</i>
 Korean registration	<b>User Guidance for EMC Class A Equipment</b> 업무용을 위한 EMC 등급 A 장치에 대한 사용자 지침 사용자안내문 A 급 기기 ( 업무용 방송통신기자재 ) 이 기기는 업무용 ( A 급 ) 전자파적합기기로서 판매자 또는 사용자는 이 점을 주의하시기 바라며 , 가정외의 지역에서 사용하는 것을 목적으로 합니다.
CE-Konformität	EN61010-1: Niederspannungsrichtlinie
Digitale Kommunikation	Optionaler Modbus-, RS232/RS485-, Profibus DPV1- oder HART-Netzwerkanschluss für die Datenübertragung

<sup>1</sup> Geräte mit einer Zertifizierung von Underwriters Laboratories (UL) eignen sich nur zur Verwendung in geschlossenen Räumen und verfügen nicht über die Schutzart NEMA 4X/IP66.

Spezifikation	Details
Datenprotokollierung	Secure Digital-Speicherkarte (maximal 32 GB) oder spezieller RS(232-Kabelanschluss für Datenprotokollierung und Software-Updates. Der Controller speichert ca. 20.000 Datenpunkte pro Sensor.
Garantie	2 Jahre

## Allgemeine Informationen

Der Hersteller ist nicht verantwortlich für direkte, indirekte, versehentliche oder Folgeschäden, die aus Fehlern oder Unterlassungen in diesem Handbuch entstanden. Der Hersteller behält sich jederzeit und ohne vorherige Ankündigung oder Verpflichtung das Recht auf Verbesserungen an diesem Handbuch und den hierin beschriebenen Produkten vor. Überarbeitete Ausgaben der Bedienungsanleitung sind auf der Hersteller-Webseite erhältlich.

## Sicherheitshinweise

### HINWEIS

Der Hersteller ist nicht für Schäden verantwortlich, die durch Fehlanwendung oder Missbrauch dieses Produkts entstehen, einschließlich, aber ohne Beschränkung auf direkte, zufällige oder Folgeschäden, und lehnt jegliche Haftung im gesetzlich zulässigen Umfang ab. Der Benutzer ist selbst dafür verantwortlich, schwerwiegende Anwendungsrisiken zu erkennen und erforderliche Maßnahmen durchzuführen, um die Prozesse im Fall von möglichen Gerätefehlern zu schützen.

Bitte lesen Sie dieses Handbuch komplett durch, bevor Sie dieses Gerät auspacken, aufstellen oder bedienen. Beachten Sie alle Gefahren- und Warnhinweise. Nichtbeachtung kann zu schweren Verletzungen des Bedieners oder Schäden am Gerät führen.

Stellen Sie sicher, dass die durch dieses Messgerät bereitgestellte Sicherheit nicht beeinträchtigt wird. Verwenden bzw. installieren Sie das Messsystem nur wie in diesem Handbuch beschrieben.

## Bedeutung von Gefahrenhinweisen

### ▲ GEFAHR

Kennzeichnet eine mögliche oder drohende Gefahrensituation, die, wenn sie nicht vermieden wird, zum Tod oder zu schweren Verletzungen führt.

### ▲ WARNUNG

Kennzeichnet eine mögliche oder drohende Gefahrensituation, die, wenn sie nicht vermieden wird, zum Tod oder zu schweren Verletzungen führen kann.

### ▲ VORSICHT



Kennzeichnet eine mögliche Gefahrensituation, die zu geringeren oder moderaten Verletzungen führen kann.






### HINWEIS

Kennzeichnet eine Situation, die, wenn sie nicht vermieden wird, das Gerät beschädigen kann. Informationen, die besonders beachtet werden müssen.

## Warnaufkleber

Lesen Sie alle am Gerät angebrachten Aufkleber und Hinweise. Nichtbeachtung kann Verletzungen oder Beschädigungen des Geräts zur Folge haben. Im Handbuch werden auf die am Gerät angebrachten Symbole in Form von Warnhinweisen verwiesen.

	Dies ist das Sicherheits-Warnsymbol. Befolgen Sie alle Sicherheitshinweise im Zusammenhang mit diesem Symbol, um Verletzungen zu vermeiden. Wenn es am Gerät angebracht ist, beachten Sie die Betriebs- oder Sicherheitsinformationen im Handbuch.
	Dieses Symbol weist auf die Gefahr eines elektrischen Schlages hin, der tödlich sein kann.

	Dieses Symbol zeigt das Vorhandensein von Geräten an, die empfindlich auf elektrostatische Entladung reagieren. Es müssen Vorsichtsmaßnahmen getroffen werden, um die Geräte nicht zu beschädigen.
	Dieses Symbol weist darauf hin, dass das Instrument an Wechselstrom angeschlossen werden muss.
	Elektrogeräte, die mit diesem Symbol gekennzeichnet sind, dürfen nicht im normalen öffentlichen Abfallsystem entsorgt werden. Senden Sie Altgeräte an den Hersteller zurück. Dieser entsorgt die Geräte ohne Kosten für den Benutzer.
	Produkte, die mit diesem Symbol gekennzeichnet sind, enthalten toxische oder gefährliche Substanzen oder Elemente. Die Ziffer in diesem Symbol gibt den Umweltschutzzeitraum in Jahren an.
	Produkte, die mit diesem Symbol gekennzeichnet sind, entsprechen den EMV-Standards Südkoreas.

## Zertifizierungen

### Kanadische Vorschriften zu Störungen verursachenden Einrichtungen, IECS-003, Klasse A:

Entsprechende Prüfprotokolle hält der Hersteller bereit.

Dieses digitale Gerät der Klasse A erfüllt alle Vorgaben der kanadischen Normen für Interferenz verursachende Geräte.

### FCC Teil 15, Beschränkungen der Klasse "A"

Entsprechende Prüfprotokolle hält der Hersteller bereit. Das Gerät entspricht Teil 15 der FVV-Vorschriften. Der Betrieb unterliegt den folgenden Bedingungen:

1. Das Gerät darf keine Störungen verursachen.
2. Das Gerät muss jegliche Störung, die es erhält, einschließlich jener Störungen, die zu unerwünschtem Betrieb führen, annehmen.

Änderungen oder Modifizierungen an diesem Gerät, die nicht ausdrücklich durch die für die Einhaltung der Standards verantwortliche Stelle bestätigt wurden, können zur Aufhebung der Nutzungsberechtigung für des Geräts führen. Dieses Gerät wurde geprüft, und es wurde festgestellt, dass es die Grenzwerte für digitale Geräte der Klasse A entsprechend Teil 15 der FCC-Vorschriften einhält. Diese Grenzwerte bieten beim Einsatz der Ausrüstung in gewerblichen Umgebungen einen ausreichenden Schutz gegen Verletzungen. Dieses Gerät erzeugt und nutzt hochfrequente Energie und kann diese auch abstrahlen, und es kann, wenn es nicht in Übereinstimmung mit der Bedienungsanleitung installiert und eingesetzt wird, schädliche Störungen der Funkkommunikation verursachen. Der Betrieb dieses Geräts in Wohngebieten kann schädliche Störungen verursachen. In diesem Fall muss der Benutzer die Störungen auf eigene Kosten beseitigen. Probleme mit Interferenzen lassen sich durch folgende Methoden mindern:

1. Trennen Sie das Gerät von der Stromversorgung, um sicherzugehen, dass dieser die Störungen nicht selbst verursacht.
2. Wenn das Gerät an die gleiche Steckdose angeschlossen ist wie das gestörte Gerät, schließen Sie das störende Gerät an eine andere Steckdose an.
3. Vergrößern Sie den Abstand zwischen diesem Gerät und dem gestörten Gerät.
4. Ändern Sie die Position der Empfangsantenne des gestörten Geräts.
5. Versuchen Sie auch, die beschriebenen Maßnahmen miteinander zu kombinieren.

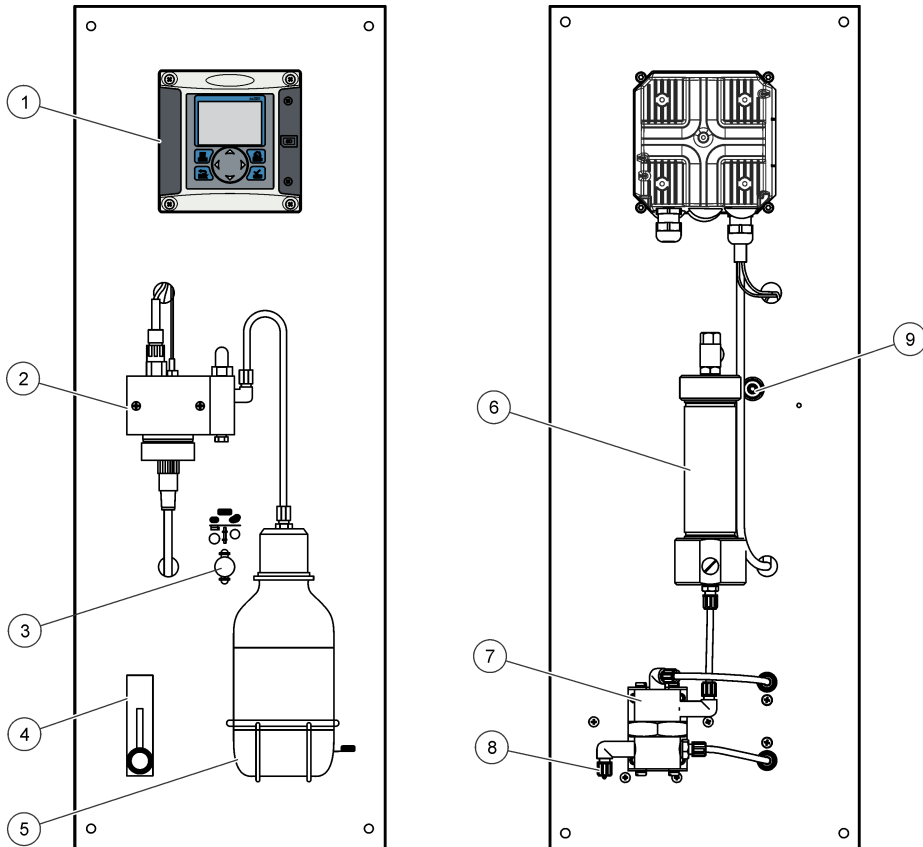
## Produktkomponenten

Stellen Sie sicher, dass Sie alle Teile erhalten haben. Wenn Komponenten fehlen oder beschädigt sind, kontaktieren Sie bitte den Hersteller oder Verkäufer.

## Produktübersicht

Der Analysator wurde für die kontinuierliche Messung der Sauerstoffaufnahmemenge (Hydrazin oder Carbohydrazid) im Wasser entwickelt.

Abbildung 1 Vorder- und Rückansicht



1 Controller	6 Kartusche für chemische Null-Kalibrierung (optional)
2 Messzelle	7 Druckregler
3 Chemische Null-Kalibrierung ein/aus (optional)	8 Probeneingang, 4/6-mm-Schlauch
4 Durchflusssensor	9 Probenablauf, 6/8-mm-Schlauch, Atmosphärendruck
5 Flasche für Probenkonditionierung (DIPA)	

## Installation

### ▲ VORSICHT



Mehrere Gefahren. Nur qualifiziertes Personal sollte die in diesem Kapitel des Dokuments beschriebenen Aufgaben durchführen.

## Montage des Analysators

### **▲ VORSICHT**

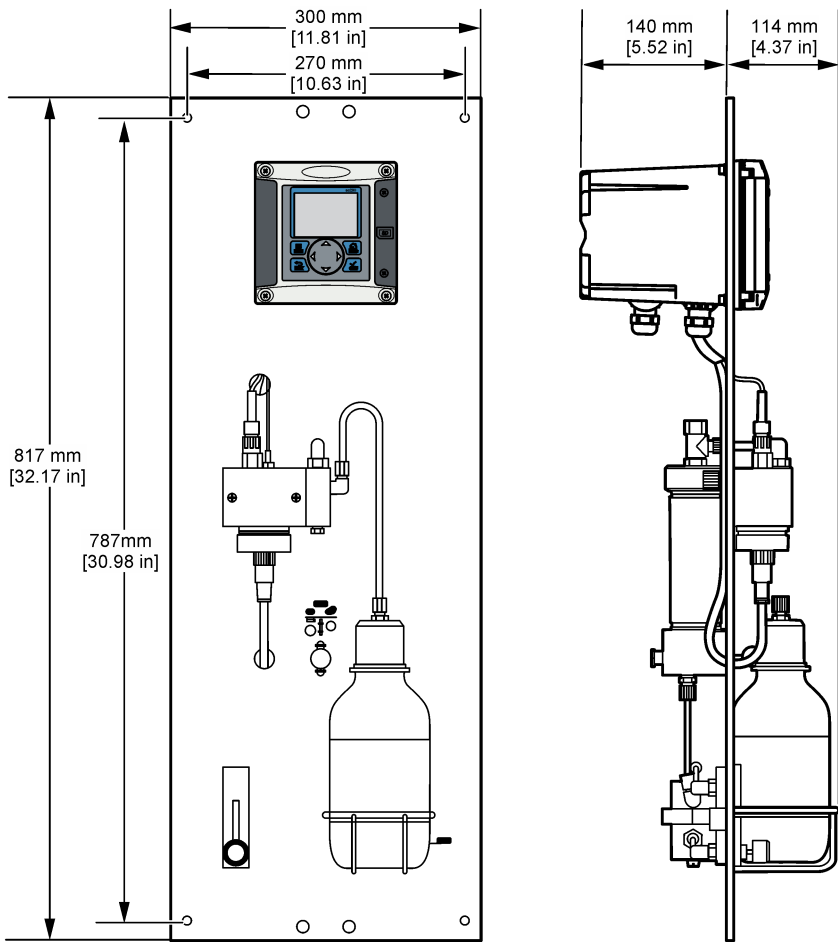
Verletzungsgefahr. Die Geräte oder Komponenten sind schwer. Bewegen oder installieren Sie diese nicht allein. Vergewissern Sie sich, dass die Wandbefestigung das vierfache Gewicht der Ausrüstung tragen kann.

### **HINWEIS**

Der Analysator muss vertikal ausgerichtet sein, damit die Messpräzision gewährleistet ist.

Bringen Sie den Analysator auf einer stabilen, vertikalen Oberfläche an. Verwenden Sie eine Wasserwaage, um sicherzustellen, dass der Analysator vollkommen waagrecht steht. Beachten Sie die folgenden Hinweise.

- Stellen Sie das Gerät an einem Ort auf der ausreichend Platz für den Betrieb, die Wartung und die Kalibrierung bietet.
- Vergewissern Sie sich, dass die Anzeige und die Bedienelement gut sichtbar sind.
- Halten Sie das Instrument von Wärmequellen fern.
- Setzen Sie das Instrument keinen Vibrationen aus.
- Halten Sie die Probenleitung so kurz wie möglich, um die Reaktionszeit so kurz wie möglich zu halten.
- Vergewissern Sie sich, dass sich keine Luft in der Probezufuhrleitung befindet.

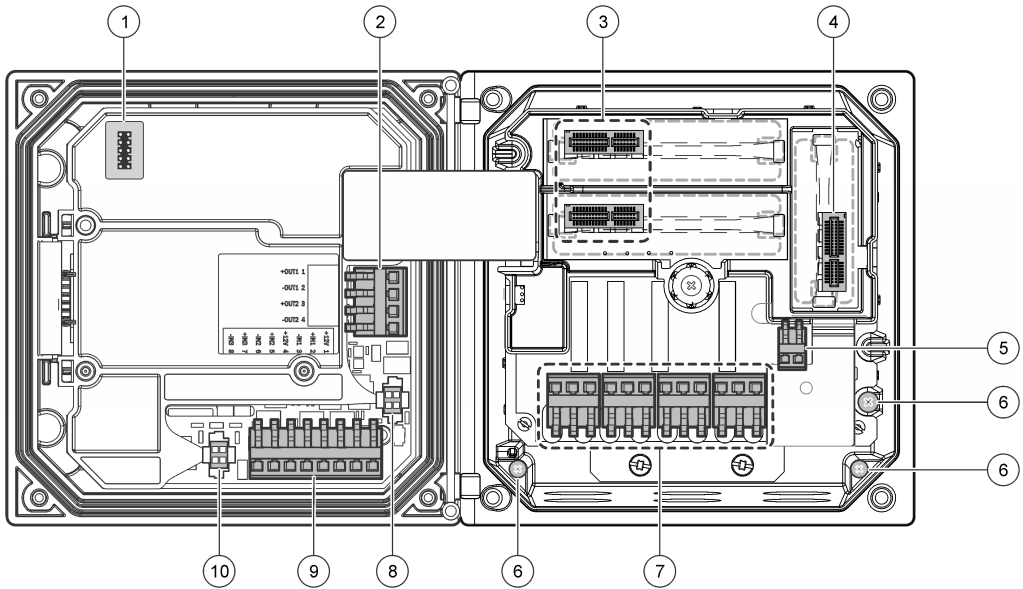


## Verdrahtungsübersicht

Abbildung 2 zeigt einen Überblick über die Kabelverbindungen im Innenraum des Controllers bei abgenommener Schutzabdeckung. Auf der linken Seite wird die Rückseite der Controller-Abdeckung dargestellt.

**Hinweis:** Entfernen Sie vor der Installation von Modulen die Kappen von den Anschlüssen.

**Abbildung 2 Übersicht der Drahtanschlüsse**



1 Servicekabelanschlüsse	5 Anschluss für Wechsel- und Gleichspannungsversorgung <sup>2</sup>	9 Klemmen für die diskreten Eingänge <sup>2</sup>
2 Ausgang 4-20 mA <sup>2</sup>	6 Masseklemmen	10 Anschluss für Digitalsensor <sup>2</sup>
3 Anschluss für Sensormodul	7 Relaiskontakte <sup>2</sup>	
4 Anschluss für Kommunikationsmodul (Modbus, Profibus, HART, optionales 4-20-mA-Modul usw.)	8 Anschluss für Digitalsensor <sup>2</sup>	

### Hochspannungs-Schutzabdeckung

Die Hochspannungskabel für den Controller befinden sich im Controllergehäuse hinter der Hochspannungs-Schutzabdeckung. Die Schutzabdeckung darf nicht entfernt werden, außer beim Einbau von Modulen oder beim elektrischen Anschluss von Spannungsversorgung, Alarmen, Ausgängen oder Relais durch einen qualifizierten Techniker. Die Schutzabdeckung darf nicht entfernt werden, während Spannung am Controller anliegt.

### Drähte für Stromanschluss

<b>⚠ WARNUNG</b>	
	Potenzielle Stromschlaggefahr. Stellen Sie stets die Spannungsversorgung am Gerät ab, wenn elektrische Anschlüsse durchgeführt werden.
<b>⚠ WARNUNG</b>	
	Potenzielle Stromschlaggefahr. Wenn dieses Gerät im Freien oder an potenziell feuchten Standorten eingesetzt wird, muss ein FI-Schutzschalter zum Anschluss an die Netzversorgung verwendet werden.

<sup>2</sup> Die Anschlüsse können für besseren Zugang entfernt werden.

## ⚠ GEFAHR



Gefahr durch elektrischen Schlag. Schließen Sie ein mit 24 VDC betriebenes Modell nicht an Wechselstrom an.

## ⚠ WARNUNG



Potenzielle Stromschlaggefahr. Bei 100-240 VAC- und 24 VDC-Geräten muss ein Erdungsschutzleiter (PE) angeschlossen werden. Ohne ausreichenden Erdungsschutz besteht Stromschlaggefahr, und das Gerät kann wegen elektromagnetischer Störungen nicht richtig funktionieren. Schließen Sie **IMMER** einen Erdungsschutzleiter an der Steuerungsklemme an.

## HINWEIS

Installieren Sie das Gerät an einem Standort und in einer Position, wo es zur Bedienung und zum Abschalten/Abklemmen gut zugänglich ist.

Der Controller ist entweder als Modell mit einem auf 100–240 V~ ausgelegten Wechselstromanschluss oder als Modell mit einem 24-V-Gleichspannungsanschluss erhältlich. Folgen Sie den für das von Ihnen erworbene Modell zutreffenden Verkabelungsanweisungen.

Sie können den Controller entweder über ein Netzkabel an die Stromversorgung anschließen oder ihn mit einer Leitung fest verdrahten. Der Anschluss erfolgt unabhängig vom Leitertyp immer an denselben Klemmen. Für alle Installationsarten ist eine entsprechend den örtlichen elektrischen Vorschriften ausgelegte externe Abschaltungsmöglichkeit anzubringen. Bei Anwendungen mit fester Verkabelung der Spannungsversorgung muss ein Masseableiter mit einem Querschnitt von 0,8 bis 3,0 mm<sup>2</sup> (AWG 18 bis 12) verwendet werden. Stellen Sie sicher, dass die Isolierung der Feldverdrahtung für mindestens 80 °C (176 °F) ausgelegt ist.

### Hinweise:

- Die Hochspannungs-Schutzabdeckung muss entfernt werden, bevor elektrische Kabel angeschlossen werden können. Nachdem alle Kabel angeschlossen wurden, muss die Schutzabdeckung vor dem Schließen der Controller-Abdeckung wieder angebracht werden.
- NEMA-Schutzart 4X/IP66 kann durch eine dichtende Zugentlastung und ein Netzkabel mit einer maximalen Länge von 3 m und drei Leitern mit einem Querschnitt von 0,80 mm<sup>2</sup> (AWG 18) (einschließlich Schutzkontaktleiter) erzielt werden.
- Controller können mit vorinstalliertem Wechselstromnetzkabel bestellt werden. Darüber hinaus können zusätzliche Netzkabel bestellt werden.
- Die Gleichspannungsquelle, die den mit 24 V Gleichspannung betriebenen Controller versorgt, muss den Spannungsabfall innerhalb der spezifizierten Schranken von 24 V = -15 %/+20 % halten können. Außerdem muss die Gleichspannungsquelle einen angemessenen Schutz vor Überspannungen und Stromstößen bieten.

### Verdrahtung

Siehe die folgenden illustrierten Schritte und [Tabelle 1](#) oder [Tabelle 2](#), um den Controller an eine Stromquelle anzuschließen. Stecken Sie die einzelnen Leiter in die entsprechenden Klemmen, bis die Isolierung an der Klemme anliegt und kein blanker Leiter sichtbar ist. Ziehen Sie nach dem Einstecken vorsichtig, um sicherzustellen, dass die Verbindung sicher ist. Versehen Sie alle nicht benötigten Verschraubungen mit Blindstopfen.

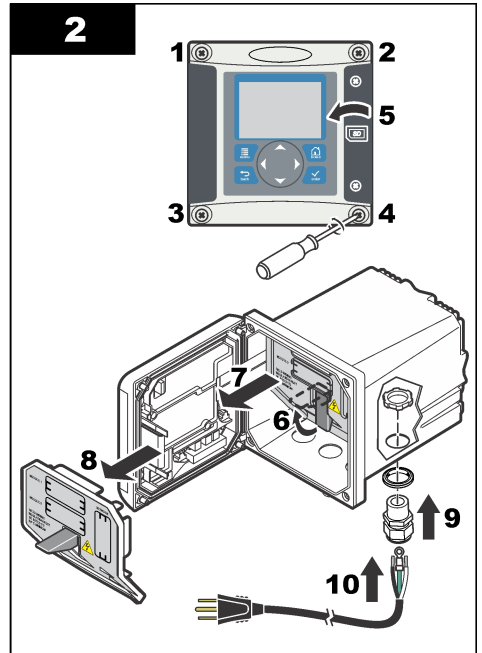
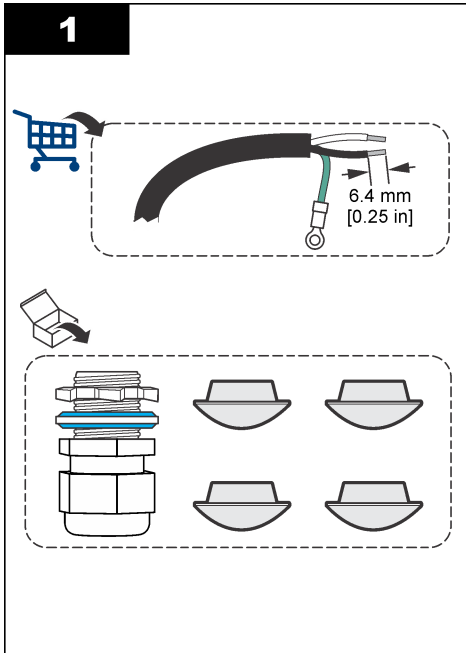
**Tabelle 1 Klemmenbelegung bei Wechselspannungsversorgung (nur für Modelle mit Wechselstromanschluss)**

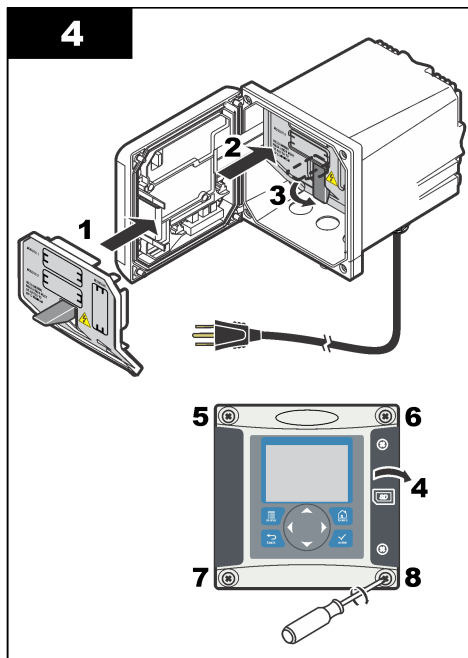
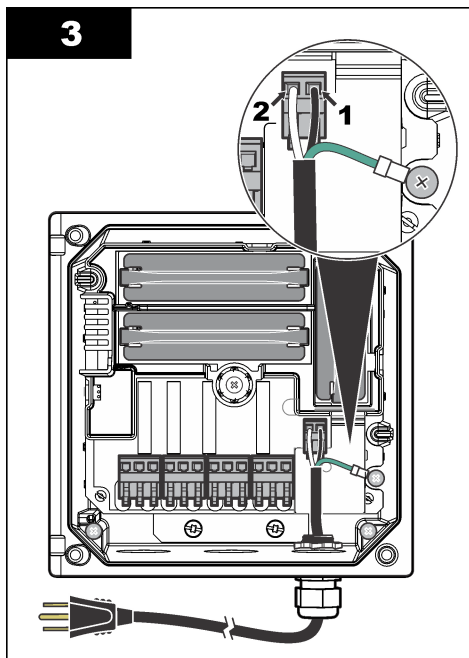
Anschlussklemme	Beschreibung	Farbe – Nordamerika	Farbe – EU
1	Phase (L1)	Schwarz	Braun
2	Nullleiter (N)	Weiß	Blau
—	Kabelschuh für Schutzerde	Grün	Grün mit gelbem Streifen



**Tabelle 2 Klemmenbelegung bei Gleichspannungsversorgung (nur für Modelle mit Gleichspannungsanschluss)**

Anschlussklemme	Beschreibung	Farbe – Nordamerika	Farbe – EU
1	+24 VDC	Rot	Rot
2	24 VDC-Rückführung	Schwarz	Schwarz
—	Kabelschuh für Schutz Erde	Grün	Grün mit gelbem Streifen









### Alarmer und Relais

Der Controller verfügt über vier potenzialfreie, einpolige Relais-Kontakte 100–250 V~, 50/60 Hz, 5 A maximal. Die Kontakte haben folgende Nennwerte: 250 V~, max. Schaltlast 5 A bei wechselstrombetriebenen Controllern bzw. 24 V=, max. Schaltlast 5 A bei gleichstrom betriebenen Controllern. Die Relais sind nicht für induktive Lasten vorgesehen.

### Verdrachten von Relais

<b>⚠ WARNUNG</b>	
	Potenzielle Stromschlaggefahr. Stellen Sie stets die Spannungsversorgung am Gerät ab, wenn elektrische Anschlüsse durchgeführt werden.
<b>⚠ WARNUNG</b>	
	Potenzielle Brandgefahr Die Relaiskontakte haben einen Nennstrom von 5 A und besitzen keine Sicherung. Externe Lasten, die an den Relais angeschlossen werden, müssen eine Strombegrenzung aufweisen, die den Strom auf < 5 A begrenzt.
<b>⚠ WARNUNG</b>	
	Potenzielle Brandgefahr Gemeinsame Relaisverbindungen oder der Brückendraht vom Stromnetzanschluss im Innern des Geräts dürfen nicht verkettet werden.
<b>⚠ WARNUNG</b>	
	Potenzielle Stromschlaggefahr. Um die NEMA/IP-Umweltbedingungen des Gehäuses zu wahren, benutzen Sie zur Verlegung von Kabeln im Geräteinnern nur Rohranschlussstücke und Kabeldurchführungen, die mindestens NEMA 4X/IP66 erfüllen.

### Controller mit Wechselspannungsversorgung (100–250 V)

## ⚠️ WARNUNG



Potenzielle Stromschlaggefahr. Die Relais von Controllern mit Anschluss an das Stromnetz (115 - 230 V) sind für den Anschluss an das Stromnetz (d. h. Spannungen oberhalb von 16 V Effektivspannung, 22,6 V Spitzenspannung bzw. 35 V Gleichspannung) ausgelegt.

Das Anschlussfach ist nicht für Spannungen über 250 V~ ausgelegt.

### Controller mit Gleichspannungsversorgung (24 V=)

## ⚠️ WARNUNG



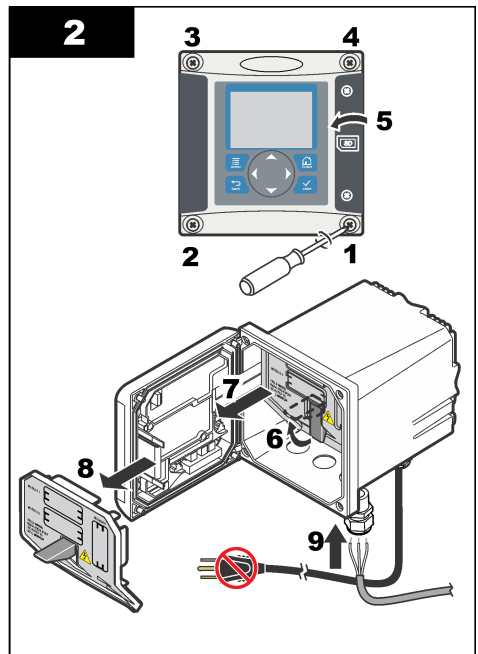
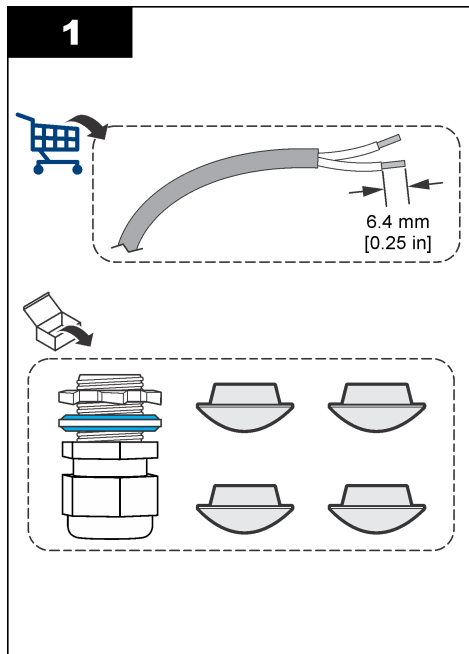
Potenzielle Stromschlaggefahr. Die Relais von mit 24 Volt Gleichspannung betriebenen Controllern sind für den Anschluss an Niederspannungskreise (d. h. Spannungen unterhalb von 16 V Effektivspannung, 22,6 V Spitzenspannung bzw. 35 V Gleichspannung) ausgelegt.

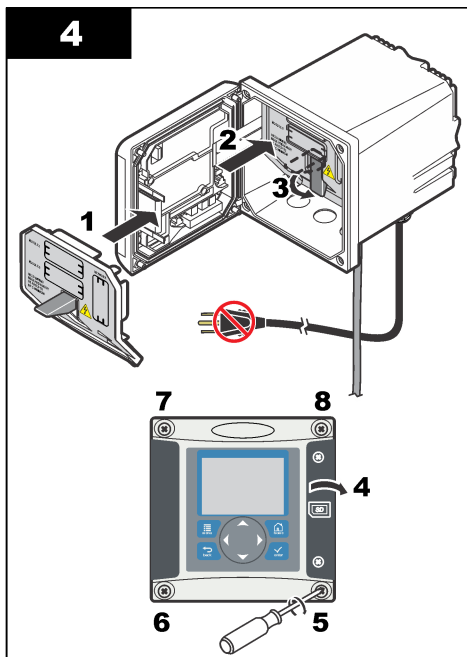
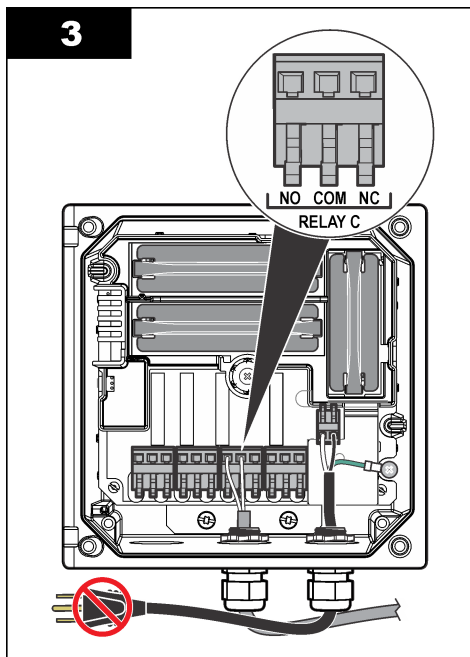
Die Relais von mit 24 Volt Gleichspannung betriebenen Controllern sind für den Anschluss an Niederspannungskreise ausgelegt (Spannungen unterhalb von 30 V Effektivspannung, 42,2 V Spitzenspannung bzw. 60 V Gleichspannung). Die Relaiskontakte sind nicht für den Anschluss an höhere als die angegebenen Spannungen ausgelegt.

Die Anschlussklemmen für die Relaiskontakte sind für Kabelquerschnitte von 0,8 bis 3 mm<sup>2</sup> (18 bis 12 AWG) ausgelegt. Ein Querschnitt von weniger als 0,8 mm<sup>2</sup> (AWG18) ist nicht zu empfehlen. Stellen Sie sicher, dass die Isolierung der Feldverdrahtung für mindestens 80 °C (176 °F) ausgelegt ist.

Die Anschlüsse NO (engl. <:glq>Normally Open<:grq>) und COM (engl. <:glq>Common<:grq>) werden miteinander verbunden, wenn eine Alarm- oder sonstige Bedingung vorliegt. Die Anschlüsse NC (engl. <:glq>Normally Closed<:grq>) und COM werden miteinander verbunden, wenn keine Alarm- oder sonstige Bedingung vorliegt, es sei denn, die Ausfallsicherung wurde aktiviert.

Die meisten Relaisverbindungen verwenden die Anschlüsse NO und COM bzw. NC und COM. In den nummerierten Installationsschritten werden die Verbindungen bei Verwendung der Anschlüsse NO und COM beschrieben.





### Anschlüsse des analogen Ausgangs

#### ⚠️ WARNUNG



Potenzielle Stromschlaggefahr. Stellen Sie stets die Spannungsversorgung am Gerät ab, wenn elektrische Anschlüsse durchgeführt werden.

#### ⚠️ WARNUNG



Potenzielle Stromschlaggefahr. Um die NEMA/IP-Umweltbedingungen des Gehäuses zu wahren, benutzen Sie zur Verlegung von Kabeln im Geräteinnern nur Rohranschlussstücke und Kabeldurchführungen, die mindestens NEMA 4X/IP66 erfüllen.

Zwei isolierte Analogausgänge (1 und 2) stehen zur Verfügung ([Abbildung 3](#)). Solche Ausgänge werden häufig für Analogsignale oder zur Steuerung anderer externer Geräte verwendet.

Erstellen Sie die Anschlüsse für den Controller wie in [Abbildung 3](#) und [Tabelle 3](#) beschrieben.

**Hinweis:** [Abbildung 3](#) zeigt die Rückseite der Controllerabdeckung, nicht das Innere des Hauptgehäuses des Controllers.

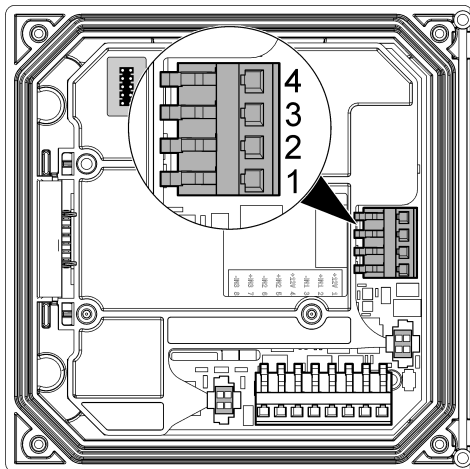
**Tabelle 3 Belegung der Ausgänge**

Verdrahtung Aufzeichnungsgerät	Position Schaltplatte
Ausgang 2-	4
Ausgang 2+	3
Ausgang 1-	2
Ausgang 1+	1

1. Öffnen Sie die Abdeckung des Controllers.
2. Führen Sie die Drähte durch die Zugentlastung.
3. Längen Sie die Drähte nach Bedarf ab, und ziehen Sie die Zugentlastung fest.

4. Verwenden Sie für den Anschluss abgeschirmte Twisted-Pair-Kabel, und schließen Sie den Schirm entweder am Ende der geregelten Komponente oder am Ende des Regelkreises an.
  - Schließen Sie den Schirm NICHT an beiden Kabelenden an!
  - Die Verwendung nicht abgeschirmter Kabel kann zu unzulässig hohen Hochfrequenzemissionen oder Störeffindlichkeiten führen.
  - Der maximale Schleifen-Widerstand beträgt 500 Ohm.
5. Schließen Sie die Abdeckung des Controllers, und ziehen Sie die Schrauben fest.
6. Konfigurieren Sie die Ausgänge im Controller.

**Abbildung 3 Anschlüsse des analogen Ausgangs**



### **Anschließen des optionalen digitalen Kommunikationsausgangs**

Der Hersteller unterstützt die Kommunikations-Protokolle Modbus RS485, Modbus RS232, Profibus DPV1 und HART. Das optionale Digitalausgangsmodul wird an der Position eingebaut, die in [Abbildung 2](#) auf Seite 31 mit 4 angegeben ist. Weitere Einzelheiten finden Sie in den Anweisungen, die mit dem Netzwerkmodul mitgeliefert werden.

### **Verlegen der Proben- und Ablaufleitungen**

Verbinden Sie die Proben- und Ablaufleitungen mit den Anschlüssen an der Rückseite des Panels.

1. Verbinden Sie die Probenleitung mit dem Anschluss des 4/6-mm-OD-Schlauchs.
2. Verbinden Sie die Ablaufleitung mit dem Anschluss des 6/8-mm-OD-Ablaufschlauchs. Halten Sie die Ablaufleitung bei Atmosphärendruck so kurz wie möglich.

## Reagenzien einsetzen

### ▲ WARNUNG



Gefahr von Kontakt mit Chemikalien. Halten Sie sich an die Sicherheitsmaßnahmen im Labor, und tragen Sie Schutzkleidung entsprechend den Chemikalien, mit denen Sie arbeiten. Beachten Sie die Sicherheitsprotokolle in den aktuellen Material Sicherheitsdatenblättern (MSDS/SDB).



1. Füllen Sie die leere Flasche für die Probenkonditionierung mit DIPA (Di-Isopropylamin) und vermerken Sie die gefährlichen Reagenz Informationen auf dem schwarzen Etikett der Flasche.
2. Montieren Sie die Flasche für die Probenkonditionierung auf der Vorderseite des Analysators.
3. Verbinden Sie den mitgelieferten Schlauch mit der Messzelle. Führen Sie den Schlauch vollständig in die Flasche mit der Konditionierungslösung ein. Vergewissern Sie sich, dass die Schlauchanschlüsse fest sind, um das Austreten von Dämpfen aus der Flasche mit der Konditionierungslösung in die Atmosphäre zu verhindern.
4. Wenn die Kartusche für chemische Null-Kalibrierung verwendet wird, setzen Sie die Kartusche an der Rückseite des Analysators ein.

## Inbetriebnahme

Vergewissern Sie sich, dass die Flussrate und der Druck die in [Spezifikationen](#) auf Seite 24 angegebenen Werte nicht überschreiten.

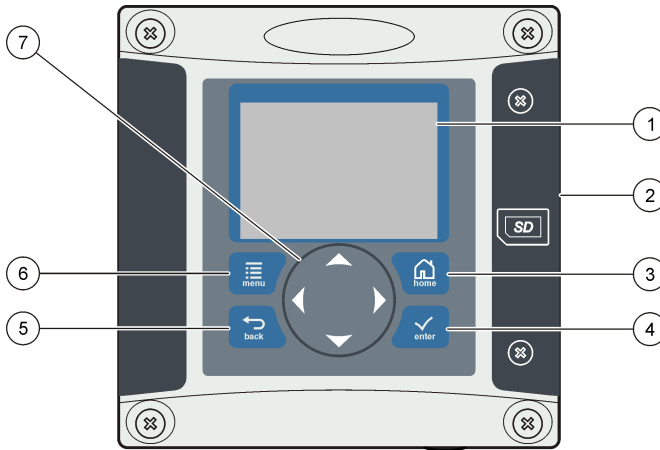
1. Öffnen Sie das Ventil an der Probenleitung, damit Probe durch den Analysator fließt.
2. Drehen Sie den Knopf am Durchflussmesser, um die Flussrate einzustellen.
3. Untersuchen Sie die Leitungen auf Lecks und beseitigen Sie eventuell gefundene Lecks.
4. Verbinden Sie den Controller mit der Stromversorgung.
5. Treffen Sie die entsprechende Menüauswahl, wenn der Controller startet.

## Benutzeroberfläche und Navigation

### Benutzeroberfläche

Das Tastenfeld umfasst vier Menütasten und vier Pfeiltasten (siehe [Abbildung 4](#)).

**Abbildung 4 Überblick über das Tastenfeld und die Frontplatte des Controllers**



1 Instrumentenanzeige	5 <b>BACK</b> -Taste. Führt in den Menüebenen um eine Stufe zurück.
2 Abdeckung des Steckplatzes für SD-Speicherkarten	6 <b>MENU</b> -Taste. Hiermit navigieren Sie von einem beliebigen Bildschirm oder Untermenü zum Einstellungsmenü.
3 <b>HOME</b> -Taste. Hiermit kehren Sie von einem beliebigen Bildschirm oder Untermenü wieder zum Haupt-Messbildschirm zurück.	7 Pfeiltasten. Hiermit können Sie durch die Menüs navigieren, Einstellungen ändern oder den Wert von Ziffern vergrößern und verkleinern.
4 <b>ENTER</b> -Taste. Durch Drücken dieser Taste werden eingegebene Werte, Aktualisierungen oder angezeigte Menüoptionen übernommen.	

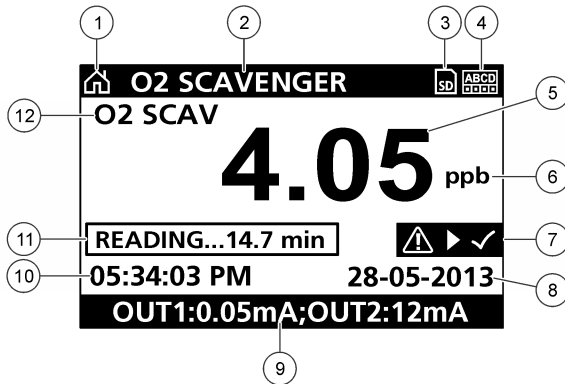
Die Einrichtung und Konfiguration der Ein- und Ausgänge erfolgt über das Tastenfeld und das Display an der Frontplatte. Über diese Benutzeroberfläche können Ein- und Ausgänge eingerichtet und konfiguriert, Protokolldaten und berechnete Werte erstellt sowie Sensoren kalibriert werden. Über die SD-Speicherkartenschnittstelle können Protokolle gespeichert und Software-Aktualisierungen durchgeführt werden.

## Display

[Abbildung 5](#) zeigt ein Beispiel des Haupt-Messbildschirms, wobei der Sensor an den Controller angeschlossen ist.

Auf dem Display an der Frontplatte werden Sensormessdaten, Kalibrierungs- und Konfigurationseinstellungen, Fehler, Warnungen und andere Informationen angezeigt.

Abbildung 5 Beispiel des Haupt-Messbildschirms



1 Symbol des Startbildschirms	7 Statusleiste der Warnmeldungen
2 Sensorbezeichnung	8 Datum
3 SD-Speicherkarten-Symbol	9 Werte des analogen Ausgangs
4 Anzeige des Relaisstatus	10 Uhrzeit
5 Messwert	11 Statusbalken
6 Messeinheit	12 Messparameter

Tabelle 4 Symbolbeschreibung

Symbol	Beschreibung
Bildschirmanzeige Home	Dieses Symbol hängt vom angezeigten Bildschirm oder Menü ab. Wenn beispielsweise eine SD-Speicherkarte installiert ist, wird an dieser Stelle ein SD-Speicherkartensymbol angezeigt, wenn Sie sich im Menü „SD Card Setup“ (SD-Karteneinstellungen) befinden.
SD-Speicherkarte	Dieses Symbol wird nur angezeigt, wenn sich eine SD-Speicherkarte im Steckplatz befindet. Wenn das Menü „SD Card Setup“ (SD-Karteneinstellungen) geöffnet ist, wird dieses Symbol in der linken oberen Ecke angezeigt.
Warnung	Warnsymbole bestehen aus einem Ausrufezeichen innerhalb eines Dreiecks. Warnsymbole erscheinen auf der rechten Seite der Hauptanzeige, unterhalb des Messwerts. Drücken Sie die <b>ENTER</b> -Taste, wählen Sie dann das Gerät aus, für das eine Warnmeldung ausgegeben wurde, um festzustellen, welche Probleme an diesem Gerät aufgetreten sind. Wenn alle Probleme behoben oder bestätigt wurden, wird das Warnsymbol nicht länger angezeigt.
Fehler	Fehlersymbole bestehen aus einem Ausrufezeichen innerhalb eines Kreises. Wenn ein Fehler auftritt, blinken das Fehlersymbol und die Messanzeige abwechselnd auf dem Display. Um die Fehler anzuzeigen, drücken Sie die <b>MENU-Taste und wählen DIAGNOSTICS (Diagnose)</b> . Wählen Sie das Gerät aus, um festzustellen, welche Probleme an diesem Gerät aufgetreten sind.

### Zusätzliche Anzeigenformate

- Drücken Sie auf der Hauptbildschirmanzeige Messung die Pfeiltasten **NACH OBEN** und **NACH UNTEN**, um zwischen Konzentrations- und Temperaturmessung zu wechseln.
- Drücken Sie auf dem Haupt-Messbildschirm die **RECHTE** Pfeiltaste, um die Bildschirmanzeige aufzuteilen und gleichzeitig bis zu 4 Messparameter anzuzeigen. Drücken Sie die **RECHTE** Pfeiltaste, um zusätzlichen Messungen anzuzeigen. Drücken Sie die **LINKE** Pfeiltaste, um zum Haupt-Messbildschirm zurückzukehren.
- Drücken Sie auf dem Haupt-Messbildschirm die **LINKE** Pfeiltaste, um auf die Grafikanzeige zu wechseln (siehe [Grafikanzeige](#) auf Seite 41 für die Definition der Parameter). Drücken Sie die



Pfeiltasten **NACH OBEN** und **NACH UNTEN**, um zwischen den verschiedenen Messungskurven zu wechseln.

## Grafikanzeige

Die Grafik zeigt die Konzentration und Messtemperatur für jeden genutzten Kanal. Die Grafik ermöglicht eine einfache Überwachung der Verläufe und zeigt Veränderungen innerhalb des Prozesses an.

1. Mithilfe der Auf- und Abwärtspfeiltasten von der Grafikbildschirmanzeige aus die Grafik auswählen und die **HOME**-Taste drücken.
2. Eine Option auswählen:

Option	Beschreibung
<b>MEASUREMENT VALUE (Messwert)</b>	Den Messwert für den ausgewählten Kanal einstellen. Wählen Sie zwischen „Auto Scale“ (automatisch Skalieren) und „Manually Scale“ (manuell Skalieren). Zum manuelle Skalieren die Mindest- und Höchstmesswerte eingeben
<b>DATUM &amp; UHRZEITBREICH</b>	Aus den verfügbaren Optionen den Datum- und Uhrzeitbereich wählen

## Betrieb

### Sensor konfigurieren

Verwenden Sie das Konfigurationsmenü CONFIGURE, um eine Identifizierungsinformation für den Sensor einzugeben und die Optionen für die Datenverwaltung und -speicherung zu ändern.

1. Die **Menü**-Taste drücken und **SENSOR SETUP>CONFIGURE** (Sensoreinstellung>Konfigurieren) auswählen.
2. Mit den Pfeiltasten eine Option wählen und mit **Enter** bestätigen. Zur Eingabe der Zahlen, Zeichen oder Satzzeichen die Pfeiltasten **nach oben** oder **nach unten** drücken und halten. Mit der **rechten** Pfeiltaste zum nächsten Feld gehen.

Option	Beschreibung
<b>EDIT NAME</b>	Definiert den dem Sensor zugewiesenen Namen, der oben in der Messanzeige erscheint. Der Name kann maximal 16 Zeichen bestehen und Buchstaben, Zahlen, Leerzeichen und Satzzeichen enthalten.
<b>SENSOR-S/N</b>	Ermöglicht dem Benutzer die Eingabe einer Sensor-Seriennummer. Die Nummer kann maximal aus 16 Zeichen bestehen und Buchstaben, Zahlen, Leerzeichen und Satzzeichen enthalten.
<b>MEAS UNITS</b>	Ändert die Maßeinheit—Wählen Sie eine Maßeinheit aus der Liste aus.
<b>TEMP UNITS</b>	Legt die Temperatureinheit fest: °C (Standard) oder °F
<b>FILTER</b>	Definiert eine Zeitkonstante zur Verbesserung der Signalstabilität. Die Zeitkonstante berechnet den Durchschnittswert innerhalb eines festgelegten Zeitraums zwischen 0 (keine Wirkung, Standard) und 60 Sekunden (Durchschnitt des Signalwerts für 60 Sekunden). Der Filter erhöht die Ansprechzeit des Sensorsignals auf aktuelle Prozessänderungen.
<b>LOG SETUP</b>	Legt das Zeitintervall für die Datenspeicherung im Datenprotokoll fest— 5 oder 30 Sekunden und 1, 2, 5, 10, 15 (Standard), 30 oder 60 Minuten.
<b>RESET DEFAULTS</b>	Setzt das Konfigurationsmenü auf die Standardeinstellungen zurück. Alle Sensorinformationen gehen verloren.

# Kalibrierung

## Hinweise zur Sensorkalibrierung

Im Laufe der Zeit verändert sich die Sensoreigenschaften, wodurch der Sensor an Genauigkeit verliert. Um die gewünschte Genauigkeit zu erhalten, muss der Sensor regelmäßig kalibriert werden. Die Häufigkeit der Kalibrierung hängt von der Anwendung ab und sollte anhand der praktischen Erfahrungen bestimmt werden.

## Kalibrierung der Temperatur

Es wird empfohlen, den Temperatursensor einmal jährlich zu kalibrieren. Zuerst den Temperatursensor und anschließend den Messsensor kalibrieren.

1. Messen Sie die Temperatur des Wassers mit einem Präzisionsthermometer oder einem unabhängigen Messinstrument.
2. Die **Menü**-Taste drücken und SENSOR SETUP>CALIBRATE (Sensoreinstellung>Kalibrieren) auswählen.
3. Wenn der Pass Code im Sicherheitsmenü des Controllers aktiviert wurde, geben Sie den Pass Code ein.
4. Wählen Sie 1 PT TEMP CAL (1 PT Temperatur kalibrieren) und bestätigen Sie mit **Enter**.
5. Der Rohwert für die Temperatur wird angezeigt. Drücken Sie **Enter**.
6. Geben Sie den richtigen Wert ein, falls er vom angezeigten Wert abweicht und drücken Sie **Enter**.
7. Zur Bestätigung der Kalibrierung **Enter** drücken. Der Offset-Wert für die Temperatur wird angezeigt.

## Null-Kalibrierung

Der Nullpunkt wurde im Werk kalibriert. Nutzen Sie die Nullpunkt-Kalibrierung, um den eindeutigen Nullpunkt des Sensors festzulegen.

1. Wenn die Probenkonzentration < 10 ppb ist, wird empfohlen, die optionale Kartusche für die Null-Kalibrierung (siehe [Ersatzteile und Zubehör](#) auf Seite 45) zu verwenden und den Sensor nicht zu entfernen. Andernfalls den Sensor aus dem Prozess herausnehmen und mit destilliertem Wasser abspülen.
2. Die **Menü**-Taste drücken und SENSOR SETUP>CALIBRATE (Sensoreinstellung>Kalibrieren) auswählen.
3. Wenn der Pass Code im Sicherheitsmenü des Controllers aktiviert wurde, geben Sie den Pass Code ein.
4. Wählen Sie ZERO CAL (Null-Kalibrierung) und drücken Sie **Enter**.
5. Wählen Sie die Option für das Ausgangssignal während der Kalibrierung:

Option	Beschreibung
<b>ACTIVE</b>	Das Gerät übermittelt während der Kalibrierung den aktuellen Messwert.
<b>HOLD</b>	Das Gerät hält den aktuellen Messwert während der Kalibrierung.
<b>TRANSFER</b>	Das Gerät sendet während der Kalibrierung einen vorher eingestellten Ausgangswert. Für die Änderung des voreingestellten Wertes beziehen Sie sich bitte auf das Benutzerhandbuch des Controllers.

6. Wird die optionale Kartusche für die Null-Kalibrierung nicht verwendet, setzen Sie den sauberen Sensor in eine hydrazinfreie Lösung, wie z. B. Reinstwasser. Drücken Sie anschließend **Enter**.
7. Warten Sie max. 1 Stunde, bis der Wert konstant ist. Drücken Sie dann **Enter**.
8. Kontrollieren Sie das Kalibrierungsergebnis:
  - PASS—der Sensor ist kalibriert und der Offset-Wert wird angezeigt.

- FAIL—die Kalibrierung ist außerhalb der zugelassenen Grenzwerte. Reinigen Sie den Sensor und wiederholen Sie den Vorgang. Für detaillierte Informationen beziehen Sie sich bitte auf [Fehlerbehebung](#) auf Seite 44.
- Nach erfolgter Kalibrierung bitte **Enter** drücken, um fortzufahren.
  - Ist die Option für die Bediener-ID im Menü CAL OPTIONS (Kalibrierungsoptionen) auf YES eingestellt, geben Sie eine Bediener-ID ein. Beziehen Sie sich auf [Kalibrierungsoptionen ändern](#) auf Seite 44.
  - In der Bildschirmanzeige NEW SENSOR legen Sie fest, ob der Sensor neu ist:

Option	Beschreibung
YES	Der Sensor wurde vorher nicht an diesem Controller kalibriert. Die Betriebsdauer in Tagen und die vorherigen Kalibrierungskurven für den Sensor werden zurückgesetzt.
NO	Der Sensor wurde vorher an diesem Controller kalibriert.

- Setzen Sie den Sensor in den Prozess zurück, wenn die optionale Kartusche für die Null-Kalibrierung nicht benötigt wird. Drücken Sie dann **Enter**. Das Ausgangssignal kehrt wieder in den aktiven Zustand zurück und der Messwert der Probe wird in der Messungsanzeige angezeigt.

*Hinweis: Wenn der Ausgangsmodus auf Halten oder Ersatzwert eingestellt war, wählen Sie eine Verzögerungszeit, nach deren Ablauf die Ausgänge wieder in den aktiven Zustand zurückkehren sollen.*

## Kalibrierung mit einer Prozessprobe

Der Sensor kann in der Prozessprobe bleiben.

- Die **Menü**-Taste drücken und SENSOR SETUP>CALIBRATE (Sensoreinstellung>Kalibrieren) auswählen.
- Wenn der Pass Code im Sicherheitsmenü des Controllers aktiviert wurde, geben Sie den Pass Code ein.
- Wählen Sie SAMPLE CAL (Probenkalibrierung) und drücken Sie **Enter**.
- Wählen Sie die Option für das Ausgangssignal während der Kalibrierung:

Option	Beschreibung
ACTIVE	Das Gerät übermittelt während der Kalibrierung den aktuellen Messwert.
HOLD	Das Gerät hält den aktuellen Messwert während der Kalibrierung.
TRANSFER	Das Gerät sendet während der Kalibrierung einen vorher eingestellten Ausgangswert. Für die Änderung des voreingestellten Wertes beziehen Sie sich bitte auf das Benutzerhandbuch des Controllers.

- Mit dem Sensor in der Prozessprobe **Enter** drücken. Der gemessene Wert wird angezeigt. Wenn der Wert konstant ist, **Enter** drücken.
- Messen Sie den Konzentrationswert der Probe mit einem zweiten zertifizierten Prüfgerät. Die Messung durchführen, bevor die Probe in die Flusskammer eintritt, um Verunreinigungen zu vermeiden. Geben Sie diesen Wert mit den Pfeiltasten ein, wenn er von dem angezeigten Wert abweicht und drücken Sie **Enter**.
- Kontrollieren Sie das Kalibrierungsergebnis:
  - PASS—der Sensor ist kalibriert und der Kalibrierungsfaktor wird angezeigt.
  - FAIL—die Kalibrierung ist außerhalb der zugelassenen Grenzwerte. Reinigen Sie den Sensor und wiederholen Sie den Vorgang. Für detaillierte Informationen beziehen Sie sich bitte auf [Fehlerbehebung](#) auf Seite 44.
- Nach erfolgter Kalibrierung bitte **Enter** drücken, um fortzufahren.
- Ist die Option für die Bediener-ID im Menü CAL OPTIONS (Kalibrierungsoptionen) auf YES eingestellt, geben Sie eine Bediener-ID ein. Beziehen Sie sich auf [Kalibrierungsoptionen ändern](#) auf Seite 44.

10. In der Bildschirmanzeige NEW SENSOR legen Sie fest, ob der Sensor neu ist:

Option	Beschreibung
--------	--------------

- |     |   |
|-----|---|
| YES | Der Sensor wurde vorher nicht an diesem Controller kalibriert. Die Betriebsdauer in Tagen und die vorherigen Kalibrierungskurven für den Sensor werden zurückgesetzt. |
| NO  | Der Sensor wurde vorher an diesem Controller kalibriert.  |

11. Mit dem Sensor im Prozess **Enter** drücken. Das Ausgangssignal kehrt wieder in den aktiven Zustand zurück und der Messwert der Probe wird in der Messungsanzeige angezeigt.

*Hinweis: Wenn der Ausgangsmodus auf Halten oder Ersatzwert eingestellt war, wählen Sie eine Verzögerungszeit, nach deren Ablauf die Ausgänge wieder in den aktiven Zustand zurückkehren sollen.*

### Kalibrierungsoptionen ändern

Der Bediener kann eine Kalibrierungserinnerung einstellen oder eine Bediener-ID mit Kalibrierungsdaten aus diesem Menü einfügen.

1. Die **Menü**-Taste drücken und SENSOR SETUP>CALIBRATE (Sensoreinstellung>Kalibrieren) auswählen.
2. Wenn der Pass Code im Sicherheitsmenü des Controllers aktiviert wurde, geben Sie den Pass Code ein.
3. Wählen Sie CAL OPTIONS (Kalibrierungsoptionen) und drücken Sie **Enter**.
4. Mit den Pfeiltasten eine Option wählen und mit **Enter** bestätigen.

Option	Beschreibung
--------	--------------

- |              |  |
|--------------|--|
| CAL REMINDER | Geben Sie ein Datum (Tag, Monat oder Jahr) für die nächste Kalibrierung ein. Wählen Sie den gewünschten Zeitraum aus der Liste aus.  |
| OP ID ON CAL | Kennzeichnet die Kalibrierungswerte mit einer Bediener-ID - YES oder NO (Standard). Die ID wird während der Kalibrierung eingegeben. |

## Wartung

### ▲ GEFAHR

Mehrere Gefahren. Nur qualifiziertes Personal sollte die in diesem Kapitel des Dokuments beschriebenen Aufgaben durchführen.

## Reinigung und Dekontamination

### ▲ GEFAHR

Trennen Sie den Controller vor der Durchführung von Wartungsarbeiten immer von der Stromversorgung.

Normalerweise muss der Analysator nicht gereinigt oder dekontaminiert werden. Bei Bedarf das Instrument außen mit einem feuchten Tuch und einer sanften Seifenlösung reinigen. Niemals Reinigungsmittel wie Terpentinöl, Azeton oder ähnliche Produkte für die Reinigung des Instruments, des Displays oder anderer Zubehörteile verwenden.

## Fehlerbehebung

### Liste der Warnungen

Warnsymbole bestehen aus einem Ausrufezeichen innerhalb eines Dreiecks. Warnsymbole erscheinen auf der rechten Seite der Hauptanzeige unterhalb des Messwerts. Eine Warnung hat keine Auswirkungen auf Menüs, Relais und Ausgänge. Um die Warnungen anzuzeigen, drücken Sie die **Menü-Taste** und wählen DIAGNOSE. Wählen Sie das Gerät aus, um festzustellen, welche Probleme an diesem Gerät aufgetreten sind. Wenn alle Probleme behoben oder bestätigt wurden, wird das Warnsymbol nicht länger angezeigt.

Eine Liste der möglichen Warnmeldungen ist in [Tabelle 5](#) aufgeführt.

**Tabelle 5 Warnliste für Sauerstoffaufnehmer**

Warnung	Beschreibung	Lösung
O2 SCAVENGER TOO HIGH	Der Defaultwert ist > 10000 ppm.	Prüfen Sie, ob der Füllpegel des Sauerstoffaufnehmers (Hydrazin oder Carbohydrazid) in dem Prozesswasser innerhalb der Betriebsgrenzwerte des Sensors liegt. Sensor kalibrieren oder austauschen.
O2 SCAVENGER TOO LOW	Der gemessene Wert ist < 0 ppm	Sensor kalibrieren oder austauschen.
TEMP TOO HIGH	Die gemessene Temperatur beträgt > 50 °C	Probentemperatur reduzieren.
TEMP TOO LOW	Die gemessene Temperatur beträgt < 0 °C	Probentemperatur erhöhen.
CURRENT TOO HIGH	Der gemessene Strom ist > 200 mA.	Prüfen Sie, ob der Füllpegel des Sauerstoffaufnehmers (Hydrazin oder Carbohydrazid) in dem Prozesswasser innerhalb der Betriebsgrenzwerte des Sensors liegt. Sensor kalibrieren oder ersetzen.
CURRENT TOO LOW	Der gemessene Strom ist < -0,5 mA.	Sensor kalibrieren oder ersetzen.
KAL ÜBERF.	Die Zeit für die Kalibrierungserinnerung ist abgelaufen	Kalibrieren Sie den Sensor.
REPLACE SENSOR	Der Sensor ist seit mehr als 365 Tagen in Betrieb	Tauschen Sie die Sensorkartusche aus und kalibrieren Sie den Sensor. Wenn das Kalibrierungsergebnis positiv ist, setzen Sie den Tageswert für die Membrane im Menü DIAG/TEST (Diagnose Test) zurück.
NICHT KALIBRIERT	Der Sensor wurde nicht kalibriert	Kalibrieren Sie den Sensor.
CAL IN PROGRESS	Eine Kalibrierung wurde gestartet, aber noch nicht abgeschlossen	Kehren Sie zur Kalibrierung zurück.

## Ersatzteile und Zubehör

Für Informationen über Ersatz- und Zubehörteile für den Controller beziehen Sie sich bitte auf den entsprechenden Abschnitt im Handbuch des Controllers.

**Hinweis:** Produkt- und Artikelnummern können je nach Region variieren. Wenden Sie sich an den zuständigen Händler oder schlagen Sie die Kontaktinformationen auf der Webseite des Unternehmens nach.

### Ersatzteilkit für 2 Jahre - 09186=A=8000

Beschreibung	Menge	Teile-Nr.
Filter	6	363877,06000
Referenzelektrode	1	368429,00000
Venturi-Düse	1	359090,00024
O-Ring für Venturi-Düse	1	356099,05090
Reinigungsperlen aus Kunststoff	7	588801,75008
4 × 6 mm PE-Rohr	2 Meter	151575,00006

## Messzelle

<b>Beschreibung</b>	<b>Teile-Nr.</b>
Messzelle	09186=A=0100
Referenzelektrode	368429,00000
Arbeitselektrode	09186=A=0300
Winkelanschluss Einlass G1/8 DN 4/6	359103,10070
Anschluss Auslass G1/8 DN6/8	359103,10055
NPT-Gewinde 1/8	431=201=018
Flasche für Konditionierer mit Zubehör	09186=A=0200
Braunglasflasche	490=010=011
Poröse Kartusche	09073=C=0340
Anschluss G1/8 DN4/6	359103,10065
Flussratenregler komplett	09186=A=0400
Anschluss Einlass G1/4 DN4/6	587=006=002
Kurzer Winkelanschluss G1/4 DN4/6	359103,10072
Langer Winkelanschluss G1/4 DN4/6	587=906=002
Durchflusssensor	694=000=001
Winkelanschluss NPT1/8 DN4/6	359103,10170

## Zubehörvorrichtungen

<b>Beschreibung</b>	<b>Teile-Nr.</b>
Kartusche für chemische Null-Kalibrierung	09186=A=0600

## Sommario

[Specifiche](#) a pagina 47

[Informazioni generali](#) a pagina 49

[Installazione](#) a pagina 51

[Avviamento](#) a pagina 61

[Interfaccia utente e navigazione](#) a pagina 61

[Funzionamento](#) a pagina 64

[Manutenzione](#) a pagina 67

[Risoluzione dei problemi](#) a pagina 67

[Parti di ricambio e accessori](#) a pagina 68

## Versione manuale completo

Per ulteriori informazioni, fare riferimento alla versione completa di questo manuale disponibile sul sito Web del produttore.

## Specifiche

Le specifiche sono soggette a modifica senza preavviso.


### Pannello

Specifiche	Dettagli
Dimensioni	817 x 300 x 140 mm (32,2 x 11,8 x 5,5 pollici)
Peso	14,6 kg (32,15 lb)
Portata campione	10—15 litri/ora
Pressione operativa	0,5—6 bar (7—87 psi)
Temperatura ambiente	0—60°C (-32—140°F)
Umidità relativa	10—90%
Elettrodo operativo	Platino
Controelettrodo	Acciaio inossidabile
Codice	Ag / AgCl / KCl 0.1 M
Cella di misurazione	Acrilico
Sostanza condizionamento campione	DIPA (diisopropilammina)
Normative europee	EN 61326 Classe A per EMC; EN 601010-1 per sicurezza in bassa tensione
Normative internazionali	cETLus

### Sensore

Specifiche	Dettagli
Intervallo di misura	Idrazina 0—500 ppb; carboidrazina 0—100 ppb
Sensibilità	< 0,2 ppb
Ripetibilità	± 1 ppb o ± 2% della lettura, comunque il maggiore
Soglia di rilevamento	≤ 1 ppb
Tempo di risposta	< 60 secondi
Intervallo di misura della temperatura del campione	5 - 45°C (41 - 113°F)

## Controller

Specifiche	Dettagli
Descrizione dei componenti	Controller con microprocessore e interfaccia che gestisce il sensore e visualizza i valori misurati.
Temperatura operativa	Da -20 a 60 °C (da -4 a 140 °F); 95% di umidità relativa, senza condensa con carico del sensore <7 W; da -20 a 50 °C (da -4 a 104 °F) con carico del sensore <28 W
Temperatura di stoccaggio	Da -20 a 70 °C (da -4 a 158 °F); 95% di umidità relativa, senza condensa
Corpo esterno <sup>1</sup>	Telaio in metallo NEMA 4X/IP66 con finitura anticorrosione
Requisiti di alimentazione	<b>Controller con alimentazione CA:</b> 100-240 Vca ±10%, 50/60 Hz; potenza 50 VA con 7 W per carico modulo di rete/sensore, 100 VA con 28 W per carico modulo di rete/sensore (collegamento di rete opzionale Modbus, RS232/RS485, Profibus DPV1 o HART).
	<b>Controller con alimentazione a 24 V cc:</b> 24 Vcc - 15%, +20%; potenza 15 W con 7 W per carico modulo di rete/sensore, 40 W con 28 W per carico modulo di rete/sensore (collegamento di rete opzionale Modbus, RS232/RS485, Profibus DPV1 o HART).
Requisiti di altitudine	Standard 2000 m (6562 piedi) slm (sul livello del mare)
Grado di inquinamento/categoria installazione	Grado di inquinamento 2; categoria installazione II
Uscite	Due uscite analogiche (0-20 mA o 4-20 mA). Le uscite possono essere assegnate affinché rappresentino un parametro misurato quale pH, temperatura, portata o valori calcolati. Il modulo opzionale fornisce tre uscite analogiche aggiuntive (5 in totale).
Relè	Quattro contatti SPDT configurati dall'utente da 250 Vca, 5 Amp resistivi massimo per il controller con alimentazione CA e 24 Vcc, 5 Amp resistivi massimo per il controller con alimentazione CC. I relè sono realizzati per il collegamento a circuiti di alimentazione CA (ovvero, quando il controller viene utilizzato con alimentazione da 115 - 240 Vca) o a circuiti CC (ad esempio, quando il controller viene utilizzato con alimentazione da 24 Vcc).
Dimensioni	½ DIN - 144 x 144 x 180,9 mm (5,7 x 5,7 x 7,12 pollici)
Peso	1,7 kg (3,75 libbre)
Requisiti EMC	EN61326-1: Direttiva EMC <b>Nota:</b> Questo è un prodotto di Classe A. In un ambiente domestico questo prodotto può causare interferenze radio per cui l'utente è tenuto a adottare adeguate misure preventive.
 Korean registration	<b>User Guidance for EMC Class A Equipment</b> 업무용을 위한 EMC 등급 A 장치에 대한 사용자 지침 사용자안내문 A 급 기기 ( 업무용 방송통신기자재 ) 이 기기는 업무용 ( A 급 ) 전자파적합기기로서 판매자 또는 사용자는 이 점을 주의하시기 바라며, 가정외의 지역에서 사용하는 것을 목적으로 합니다.
Compatibilità CE	EN61010-1: Direttiva sulla bassa tensione
Comunicazioni digitali	Collegamento di rete opzionale per la trasmissione dati Modbus, RS232/RS485, Profibus DPV1 o HART

<sup>1</sup> Le unità provviste di certificazione Underwriters Laboratories (UL) sono previste per l'uso in ambienti chiusi e non hanno una classificazione NEMA 4X/IP66.



Specifiche	Dettagli
Registrazione dati	Scheda SD (massimo 32 GB) o connettore cavo speciale RS232 per la registrazione dati e per gli aggiornamenti software. Il controller è in grado di gestire circa 20.000 punti dati per sensore.
Garanzia	2 anni

## Informazioni generali

In nessun caso, il produttore potrà essere ritenuto responsabile per danni diretti, indiretti o accidentali per qualsiasi difetto o omissione relativa al presente manuale. Il produttore si riserva il diritto di apportare eventuali modifiche al presente manuale e ai prodotti ivi descritti in qualsiasi momento senza alcuna notifica o obbligo preventivi. Le edizioni riviste sono presenti nel sito Web del produttore.

## Informazioni sulla sicurezza

### AVVISO

Il produttore non sarà da ritenersi responsabile in caso di danni causati dall'applicazione errata o dall'uso errato di questo prodotto inclusi, a puro titolo esemplificativo e non limitativo, i danni incidentali e consequenziali; inoltre declina qualsiasi responsabilità per tali danni entro i limiti previsti dalle leggi vigenti. La responsabilità relativa all'identificazione dei rischi critici dell'applicazione e all'installazione di meccanismi appropriati per proteggere le attività in caso di eventuale malfunzionamento dell'apparecchiatura compete unicamente all'utilizzatore.

Prima di disimballare, installare o utilizzare l'apparecchio, si prega di leggere l'intero manuale. Si raccomanda di leggere con attenzione e rispettare le istruzioni riguardanti note di pericolosità. La non osservanza di tali indicazioni potrebbe comportare lesioni gravi all'operatore o danni all'apparecchio.

Assicurarsi che i dispositivi di sicurezza insiti nell'apparecchio siano efficaci all'atto della messa in servizio e durante l'utilizzo dello stesso. Non utilizzare o installare questa apparecchiatura in modo diverso da quanto specificato nel presente manuale.

### Indicazioni e significato dei segnali di pericolo

#### ▲ PERICOLO

Indica una situazione di pericolo potenziale o imminente che, se non evitata, causa lesioni gravi anche mortali.

#### ▲ AVVERTENZA

Indica una situazione di pericolo potenziale o imminente che, se non evitata, potrebbe comportare lesioni gravi, anche mortali.

#### ▲ ATTENZIONE



Indica una situazione di pericolo potenziale che potrebbe comportare lesioni lievi o moderate.






### AVVISO

Indica una situazione che, se non evitata, può danneggiare lo strumento. Informazioni che richiedono particolare attenzione da parte dell'utente.

### Etichette precauzionali

Leggere sempre tutte le indicazioni e le targhette di segnalazione applicate all'apparecchio. La mancata osservanza delle stesse può infatti causare lesioni personali o danni allo strumento. Un simbolo sullo strumento è indicato nel manuale unitamente a una frase di avvertenza.

	Questo è il simbolo di allarme sicurezza. Seguire tutti i messaggi di sicurezza dopo questo simbolo per evitare potenziali lesioni. Se sullo strumento, fare riferimento al manuale delle istruzioni per il funzionamento e/o informazioni sulla sicurezza.
	Questo simbolo indica un rischio di scosse elettriche e/o elettrocuzione.

	Questo simbolo indica la presenza di dispositivi sensibili alle scariche elettrostatiche (ESD, Electrostatic Discharge) ed è pertanto necessario prestare la massima attenzione per non danneggiare l'apparecchiatura.
	Questo simbolo, quando applicato su un prodotto, indica che lo strumento è collegato a corrente alternata.
	Le apparecchiature elettriche contrassegnate con questo simbolo non possono essere smaltite attraverso sistemi domestici o pubblici europei. Restituire le vecchie apparecchiature al produttore il quale si occuperà gratuitamente del loro smaltimento.
	I prodotti contrassegnati dal presente simbolo contengono sostanze o elementi tossici o pericolosi. Il numero all'interno del simbolo indica il periodo di utilizzo senza rischio per l'ambiente, espresso in anni.
	I prodotti contrassegnati con questo simbolo sono conformi alla direttiva EMC per la Corea del Sud.

## Certificazioni

### Canadian Radio Interference-Causing Equipment Regulation, IECS-003, Class A:

Le registrazioni dei test di supporto sono disponibili presso il produttore.

Questo apparecchio digitale di Classe A soddisfa tutti i requisiti di cui agli Ordinamenti canadesi sulle apparecchiature causanti interferenze.

### FCC Parte 15, Limiti Classe "A"

Le registrazioni dei test di supporto sono disponibili presso il produttore. Il presente dispositivo è conforme alla Parte 15 della normativa FCC. Il funzionamento è subordinato alle seguenti condizioni:

1. L'apparecchio potrebbe non causare interferenze dannose.
2. L'apparecchio deve tollerare tutte le interferenze subite, comprese quelle causate da funzionamenti inopportuni.

Modifiche o cambiamenti eseguiti sull'unità senza previa approvazione da parte dell'ente responsabile della conformità potrebbero annullare il diritto di utilizzare l'apparecchio. Questo apparecchio è stato testato ed è conforme con i limiti per un dispositivo digitale di Classe A, secondo la Parte 15 delle normative FCC. Questi limiti garantiscono un'adeguata protezione contro qualsiasi interferenza che potrebbe derivare dall'utilizzo dell'apparecchio in ambiente commerciale.

L'apparecchiatura produce, utilizza e può irradiare energia a radiofrequenza e, se non installata e utilizzata in accordo a quanto riportato nel manuale delle istruzioni, potrebbe causare interferenze nocive per le radiocomunicazioni. L'utilizzo di questa apparecchiatura in una zona residenziale può provocare interferenze dannose; in tal caso, l'utente dovrà eliminare l'interferenza a proprie spese. Per ridurre i problemi di interferenza, è possibile utilizzare le seguenti tecniche:

1. Scollegare l'apparecchio dalla sua fonte di potenza per verificare che sia la fonte dell'interferenza o meno.
2. Se l'apparecchio è collegato alla stessa uscita del dispositivo in cui si verifica l'interferenza, collegare l'apparecchio ad un'uscita differente.
3. Spostare l'apparecchio lontano dal dispositivo che riceve l'interferenza.
4. Posizionare nuovamente l'antenna di ricezione dell'apparecchio che riceve le interferenze.
5. Provare una combinazione dei suggerimenti sopra riportati.

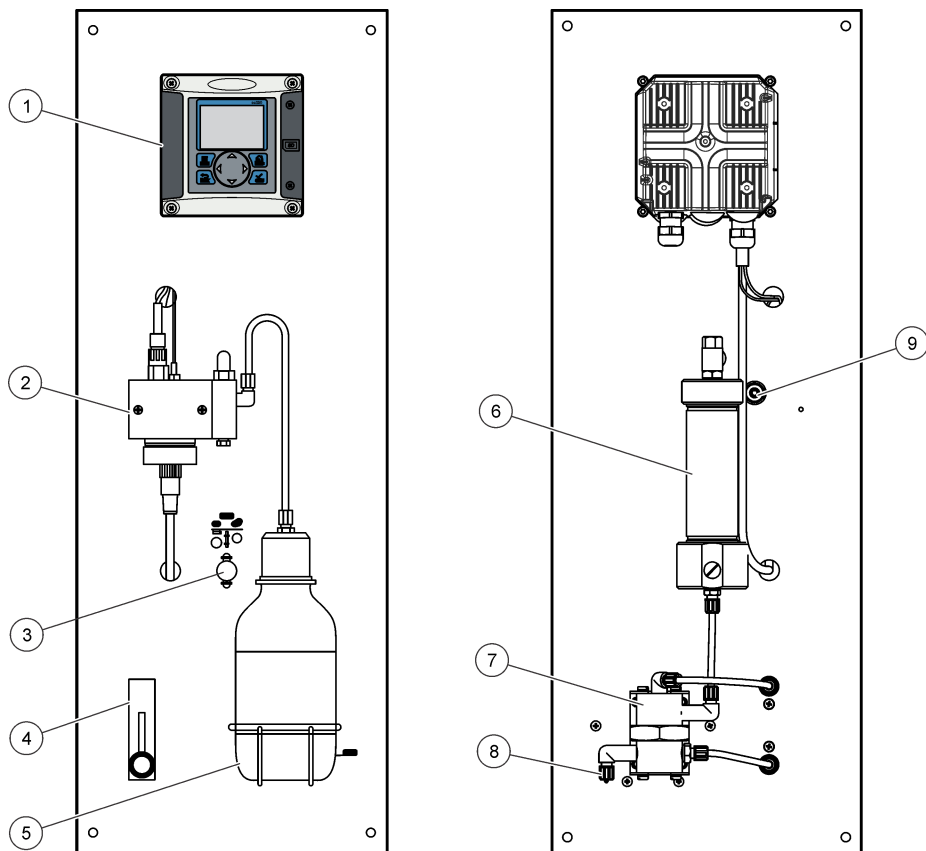
## Componenti del prodotto

Accertarsi che tutti i componenti siano stati ricevuti. In caso di componenti mancanti o danneggiati, contattare immediatamente il produttore o il rappresentante.

## Descrizione del prodotto

L'analizzatore è progettato per la misurazione continua della quantità di assorbitori di ossigeno (idrazina o carboidrazina) presente nell'acqua.

Figura 1 Vista frontale e posteriore



1 Controller	6 Cartuccia calibrazione zero chimico (opzione)
2 Cella di misurazione	7 Regolatore di pressione
3 Attivazione/disattivazione calibrazione zero chimico (opzione)	8 Ingresso campione, tubo di 4/6 mm
4 Flussometro	9 Scarico campione, tubo di 6/8 mm, pressione atmosferica
5 Flacone condizionamento campione (DIPA)	

## Installazione

### ⚠ ATTENZIONE



Pericoli multipli. Gli interventi descritti in questa sezione del documento devono essere eseguiti solo da personale qualificato.

## Montaggio dell'analizzatore

### **▲ ATTENZIONE**

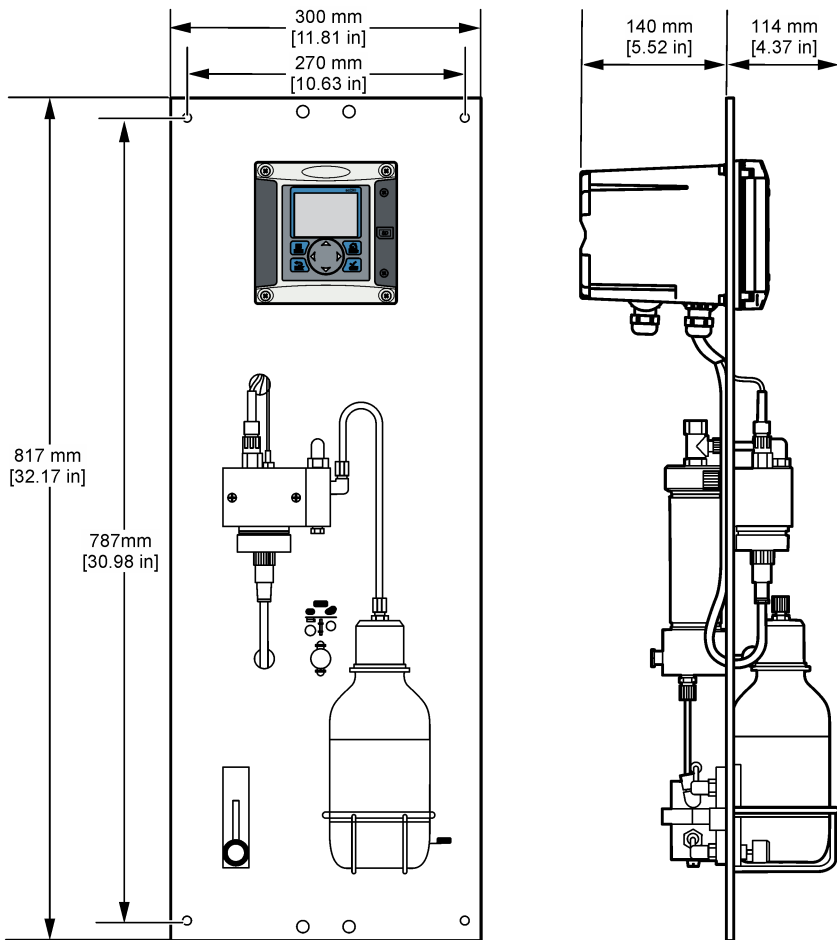
Pericolo di lesioni personali. Gli strumenti o i componenti sono pesanti. Per l'installazione o lo spostamento richiedere assistenza. Verificare che il fissaggio a parete sia in grado di sostenere un peso 4 volte superiore a quello dell'apparecchio.

### **AVVISO**

Per garantire misurazioni precise, l'analizzatore deve essere installato in posizione perfettamente verticale.

Fissare l'analizzatore ad una superficie stabile e verticale. Utilizzare una livella per assicurarsi che l'analizzatore sia in posizione completamente verticale. Fare riferimento alle linee guida seguenti.

- Mettere lo strumento in una posizione che consenta l'accesso per il funzionamento, la manutenzione e la calibrazione.
- Assicurarsi che ci sia una buona visuale del display e dei controlli.
- Tenere lo strumento lontano da sorgenti di calore.
- Tenere lo strumento lontano dalle vibrazioni.
- Il tubo di campionamento deve essere il più corto possibile per ridurre al minimo il tempo di risposta.
- Assicurarsi che non ci sia aria nella tubazione di mandata del campione.

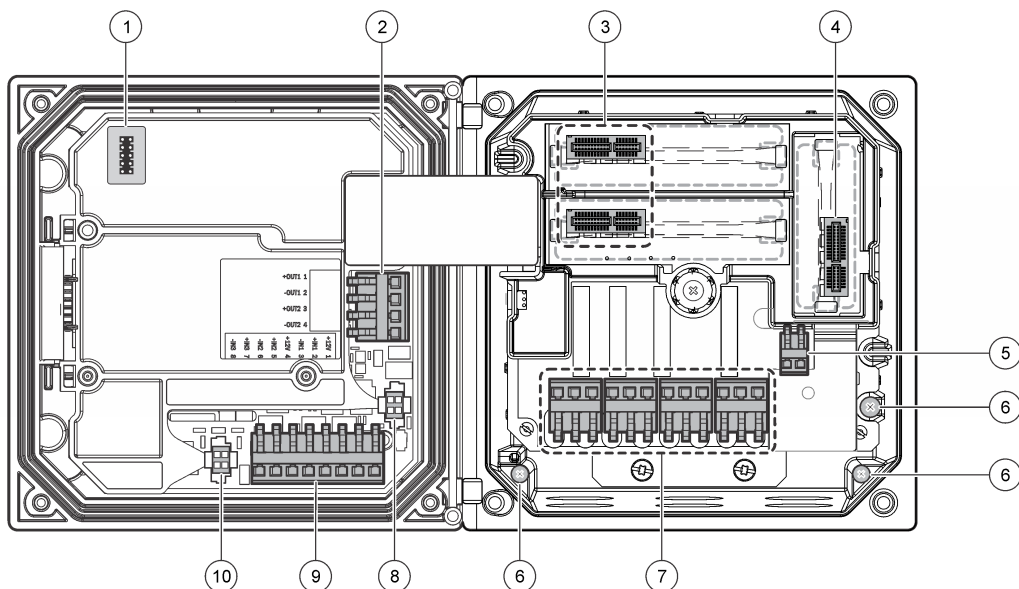


## Panoramica del cablaggio

La [Figura 2](#) mostra una panoramica dei collegamenti per il cablaggio interno del controller senza protezione per l'alta tensione. Il lato sinistro della figura mostra il lato posteriore del coperchio del controller.

**Nota:** prima di installare il modulo rimuovere i cappucci dai connettori.

**Figura 2** Panoramica dei collegamenti per il cablaggio



1 Collegamento cavo di servizio	5 Connettore alimentazione CA e CC <sup>2</sup>	9 Connettore del cablaggio di ingresso discreto <sup>2</sup>
2 Uscita 4–20 mA <sup>2</sup>	6 Morsetti di messa a terra	10 Connettore sensore digitale <sup>2</sup>
3 Connettore modulo sensore	7 Collegamento dei relè <sup>2</sup>	
4 Connettore modulo per le comunicazioni (ad esempio, Modbus, Profibus, HART, modulo opzionale da 4-20 mA e così via)	8 Connettore sensore digitale <sup>2</sup>	

### Protezione per l'alta tensione

Il cablaggio dell'alta tensione del controller si trova dietro la protezione per l'alta tensione nel carter del controller. La protezione deve restare in posizione, eccetto durante l'installazione dei moduli o quando un tecnico di installazione qualificato effettua il cablaggio per alimentazione, allarmi, uscite o relè. Non rimuovere la protezione per l'alta tensione mentre il controller è alimentato.

### Modalità di cablaggio

#### ▲ AVVERTENZA



Rischio potenziale di scossa elettrica. Quando si eseguono collegamenti elettrici, scollegare sempre l'alimentazione allo strumento.

#### ▲ AVVERTENZA



Rischio potenziale di scossa elettrica. Se questo apparecchio viene usato all'esterno o in luoghi potenzialmente umidi, è necessario utilizzare un **interruttore automatico differenziale** per collegare l'apparecchio alla sorgente di alimentazione principale.

<sup>2</sup> I morsetti possono essere rimossi per migliorare l'accesso.

## ⚠ PERICOLO



Rischio di scossa elettrica. Non collegare l'alimentazione CA a un modello alimentato a 24 V CC.

## ⚠ AVVERTENZA



Rischio potenziale di scossa elettrica. È necessario un collegamento a terra di protezione (PE) per le applicazioni con cablaggio a 100-240 V CA e 24 V CC. Il non collegamento a una buona messa a terra può provocare rischio di scossa e prestazioni insoddisfacenti a causa della presenza di interferenze elettromagnetiche. Collegare SEMPRE una buona messa a terra (PE) al terminale del controller.

## AVVISO

Installare il dispositivo in un luogo e in una posizione che fornisce facile accesso per la disconnessione e il funzionamento del dispositivo.

Il controller può essere acquistato con alimentazione da 100-240 Vca o da 24 Vcc. In base al modello acquistato, leggere le istruzioni di cablaggio appropriate.

Il controller può essere configurato per l'alimentazione dalla rete elettrica tramite cablaggio in canalina oppure tramite cablaggio con un cavo di alimentazione. Indipendentemente dal filo utilizzato, i collegamenti devono essere effettuati sugli stessi terminali. Uno scollegamento locale progettato per la conformità alle norme vigenti sull'elettricità è necessario e deve essere identificato per tutti i tipi di installazione. Nelle applicazioni cablate, l'alimentazione e le derivazioni a terra di sicurezza per il dispositivo devono essere comprese tra 18 e 12 AWG. Assicurarsi che l'isolamento dei cablaggi in campo abbia un valore nominale di almeno 80 °C (176 °F).

### Note:

- La protezione per l'alta tensione deve essere rimossa prima di effettuare qualsiasi collegamento elettrico. Dopo aver eseguito tutti i collegamenti e prima di riposizionare il coperchio del controller, reinstallare la protezione per l'alta tensione.
- È possibile utilizzare un passacavi di tipo sigillato e un cavo di alimentazione di lunghezza inferiore a 3 metri (10 piedi) con tre conduttori da 18 Gauge (incluso un cavo di messa a terra di sicurezza) per la conformità agli standard NEMA 4X/IP66.
- I controller possono essere ordinati con cavi di alimentazione CA preinstallati. È possibile ordinare cavi di alimentazione aggiuntivi.
- La sorgente di alimentazione CC che alimenta il controller da 24 Vcc deve mantenere una regolazione di tensione nei limiti di 24 Vcc-15% +20%. La sorgente di alimentazione CC inoltre deve fornire una protezione adeguata contro sovracorrente e disturbi della linea.

### Procedura di cablaggio

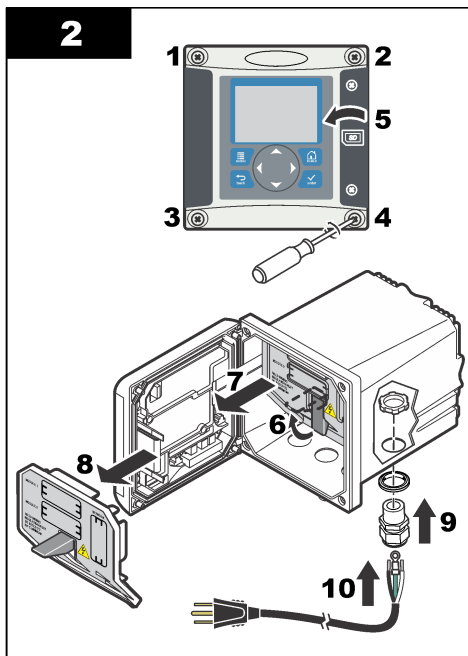
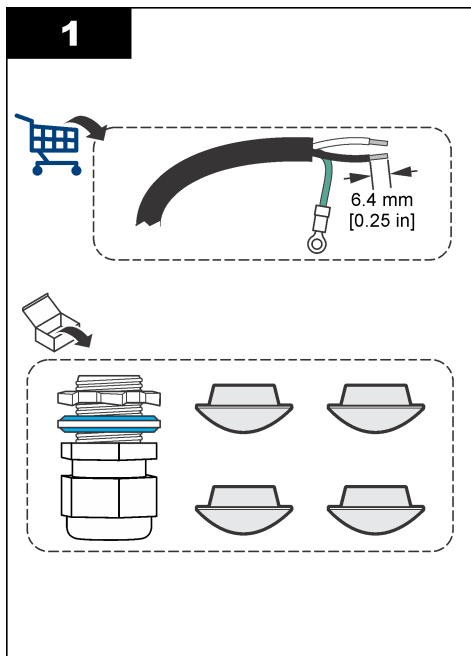
Consultare la procedura illustrata di seguito e [Tabella 1](#) o [Tabella 2](#) per collegare il controller all'alimentazione. Inserire ciascun filo nel terminale appropriato fino a ottenere l'isolamento del connettore senza alcun filo scoperto esposto. Tirare gentilmente dopo l'inserimento per assicurarsi che il collegamento sia saldo. Sigillare tutte le aperture inutilizzate nella scatola del controller con gli otturatori dell'apertura del condotto.

**Tabella 1 Informazioni sul cablaggio dell'alimentazione CA (solo per i modelli con alimentazione CA)**

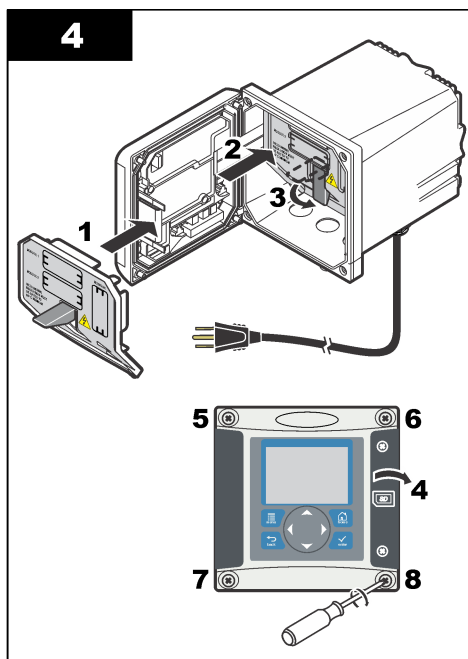
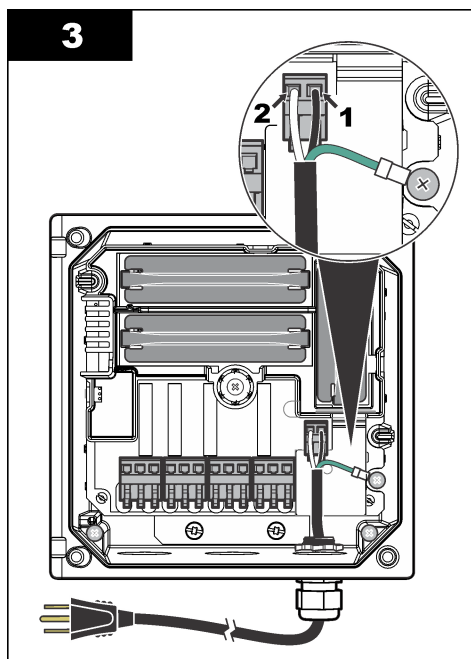
Terminale	Descrizione	Colore-America del Nord	Colore - UE
1	Fase (L1)	Nero	Marrone
2	Neutro (N)	Bianco	Blu
—	Capocorda di messa a terra Protective Earth (PE)	Verde	Verde con banda gialla

**Tabella 2 Informazioni sul cablaggio dell'alimentazione CC (solo per i modelli con alimentazione CC)**

Terminale	Descrizione	Colore - America del Nord	Colore - EU
1	+24 VCC	Rosso	Rosso
2	Ritorno 24 Vcc	Nero	Nero
—	Capocorda di messa a terra Protective Earth (PE)	Verde	Verde con banda gialla







### Allarmi e relé

Il controller dispone di quattro relé a polo singolo non alimentati da 100-250 Vca, 50/60 Hz, 5 Amp resistivi massimo. I contatti sono da 250 Vca, 5 Amp resistivi massimo per il controller con alimentazione CA e 24 Vcc, 5 Amp resistivi massimo per il controller con alimentazione CC. I relé non sono conformi a carichi induttivi.

### Cablaggio relé

<b>⚠ AVVERTENZA</b>	
	Rischio potenziale di scossa elettrica. Quando si eseguono collegamenti elettrici, scollegare sempre l'alimentazione allo strumento.
<b>⚠ AVVERTENZA</b>	
	Rischio potenziale di incendio. I contatti relé hanno una corrente nominale di 5 A e non presentano fusibili. Carichi esterni collegati ai relé devono presentare dei dispositivi di limitazione della corrente per limitare la corrente a meno di 5 A.
<b>⚠ AVVERTENZA</b>	
	Rischio potenziale di incendio. Non collegare a margherita i collegamenti relé comuni o il cablaggio dei ponticelli dal collegamento dell'alimentazione principale all'interno dello strumento.
<b>⚠ AVVERTENZA</b>	
	Rischio potenziale di scossa elettrica. Per mantenere i rating ambientali NEMA/IP dell'alloggiamento, utilizzare solo raccordi dei condotti e ghiandole dei cavi con protezione di almeno NEMA 4X/IP66 per instradare i cavi allo strumento.

Controller alimentati tramite **linea CA (100 - 250 V)**

## ⚠ AVVERTENZA



Rischio potenziale di scossa elettrica. I controller con alimentazione di rete CA (115 V-230 V) sono predisposti per collegamenti tramite relè alle reti di alimentazione CA (ovvero, tensioni superiori a 16 V-RMS, 22,6 V-PEAK o 35 Vcc).

L'alloggiamento del cablaggio non è progettato per collegamenti che superano i 250 Vca.

### Controller con alimentazione a 24 Vcc

## ⚠ AVVERTENZA



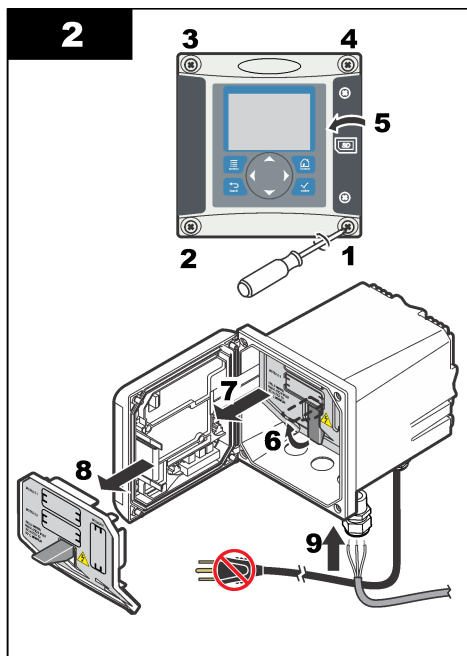
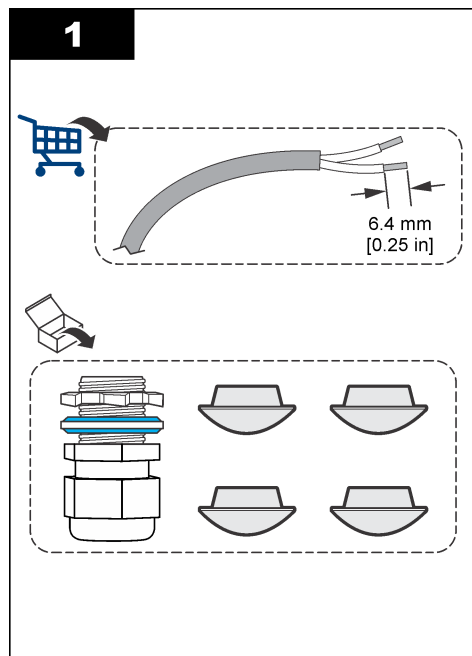
Rischio potenziale di scossa elettrica. I relè dei controller con alimentazione a 24 V sono progettati per il collegamento a circuiti a bassa tensione (ovvero tensioni inferiori a 16 V-RMS, 22,6 V-PEAK o 35 Vcc).

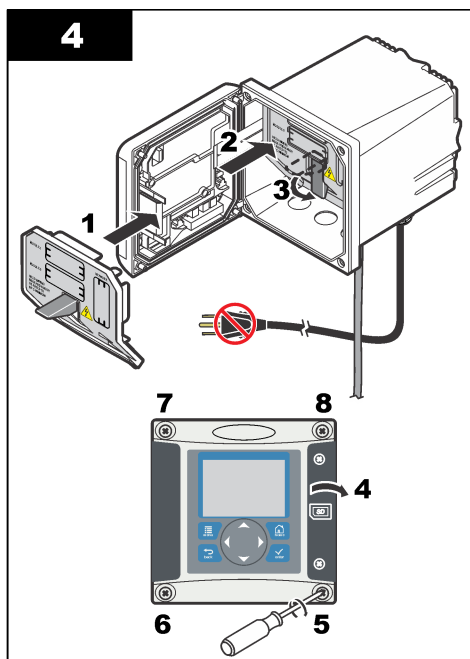
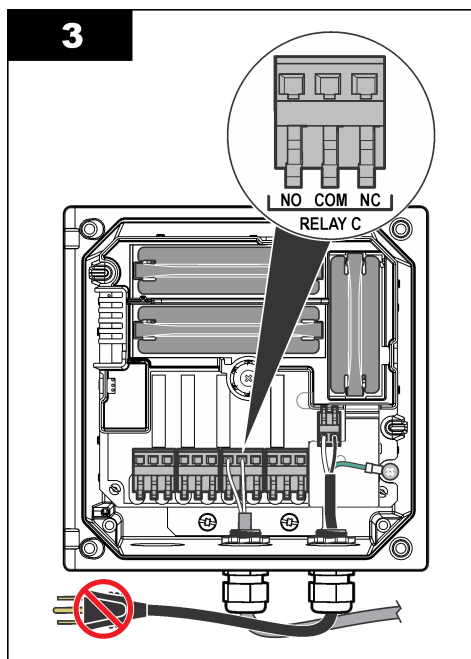
I relè del controller da 24 Vcc sono progettati per il collegamento a circuiti a bassa tensione (ovvero tensioni inferiori a 30 V-RMS, 42,2 V-PEAK o 60 Vcc). L'alloggiamento del cablaggio non è progettato per collegamenti con tensione superiore ai livelli specificati.

Il connettore del relè è compatibile con un cablaggio da 18-12 AWG (come stabilito dall'applicazione di carico). Si sconsiglia di utilizzare fili di dimensione inferiore a 18 AWG. Assicurarsi che l'isolamento dei cablaggi in campo abbia un valore nominale di almeno 80 °C (176 °F).

I contatti dei relè Normalmente aperti (NO) e Comuni (COM) saranno collegati quando è attiva una condizione di allarme o di altro tipo. I contatti dei relè Normalmente chiusi (NC) e Comuni saranno collegati quando un allarme o un'altra condizione non è attiva (a meno che il sistema di autoeliminazione guasti non sia impostato su Si) o quando viene tolta l'alimentazione dal controller.

La maggior parte dei collegamenti utilizza i morsetti NO e COM oppure i morsetti NC e COM. I seguenti passaggi numerati della procedura di installazione mostrano il collegamento ai morsetti NO e COM.





### Collegamenti dell'uscita analogica

#### ⚠ AVVERTENZA



Rischio potenziale di scossa elettrica. Quando si eseguono collegamenti elettrici, scollegare sempre l'alimentazione allo strumento.

#### ⚠ AVVERTENZA



Rischio potenziale di scossa elettrica. Per mantenere i rating ambientali NEMA/IP dell'alloggiamento, utilizzare solo raccordi dei condotti e ghiandole dei cavi con protezione di almeno NEMA 4X/IP66 per instradare i cavi allo strumento.

Sono disponibili due uscite analogiche isolate (1 e 2) (Figura 3). Queste uscite vengono solitamente utilizzate per la segnalazione analogica o per controllare altri dispositivi esterni.

Collegare i cavi del controller come mostrato nella Figura 3 e nella Tabella 3.

**Nota:** la Figura 3 mostra il lato posteriore del coperchio del controller e non la parte interna dell'alloggiamento principale del controller.

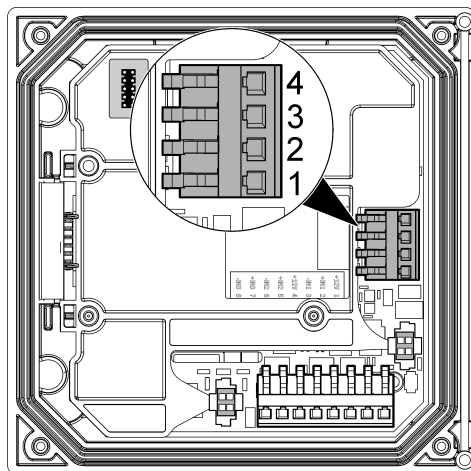
Tabella 3 Collegamenti uscita

Fili del registratore	Posizione scheda circuiti
Uscita 2-	4
Uscita 2+	3
Uscita 1-	2
Uscita 1+	1

1. Aprire il coperchio del controller.
2. Far passare i fili attraverso il passacavi.
3. Se necessario, regolare il filo e stringere il passacavi.

4. Creare i collegamenti con filo schermato intrecciato e collegare la schermatura all'estremità del componente o del loop di controllo.
  - Non collegare la schermatura a entrambe le estremità del cavo.
  - L'uso di un cavo non schermato può determinare emissioni in radiofrequenza o livelli di suscettività più elevati di quelli consentiti.
  - La resistenza loop massima è 500 Ohm.
5. Chiudere il coperchio del controller e serrare le relative viti.
6. Configurare le uscite del controller.

**Figura 3 Collegamenti uscita analogica**



### **Collegamento dell'uscita digitale per le comunicazioni opzionale**

Sono supportati i protocolli per le comunicazioni Modbus RS485, Modbus RS232, Profibus DPV1 e HART II. Il modulo di uscita digitale opzionale si trova nella posizione indicata dalla voce 4 nella [Figura 2](#) a pagina 54. Per ulteriori informazioni, fare riferimento alle istruzioni fornite con il modulo di rete.

### **Collegamento delle tubazioni dei campioni e di scarico**

Collegare il campione e le tubazioni di scarico sul retro del pannello.

1. Collegare la tubazione del campione al raccordo di ingresso del tubo con diametro esterno da 4/6 mm.
2. Collegare una tubazione di scarico al raccordo del tubo di scarico con diametro esterno da 6/8 mm. Mantenere la tubazione di scarico più corta possibile a pressione atmosferica.

## Installazione dei reagenti

### ▲ AVVERTENZA



Pericolo di esposizione ad agenti chimici. Rispettare le procedure di sicurezza del laboratorio e indossare tutte le apparecchiature protettive appropriate per le sostanze chimiche utilizzate. Fare riferimento alle attuali schede di sicurezza (MSDS/SDS) per i protocolli di sicurezza.

1. Riempire il flacone di condizionamento del campione con diisopropilammina (DIPA) e annotare i informazioni reagente pericoloso sull'etichetta bianca applicata sul flacone.
2. Installare il flacone di condizionamento del campione sul lato anteriore dell'analizzatore.
3. Collegare il tubo fornito con la cella di misurazione. Installare l'intero tubo nel flacone della soluzione di condizionamento. Assicurarsi che le tubazioni siano serrate per evitare perdite di vapore dal flacone di condizionamento nell'atmosfera.
4. Se viene utilizzata la cartuccia di calibrazione zero chimico, installarla nella parte posteriore dell'analizzatore.

## Avviamento

Assicurarsi che la portata e la pressione del flusso non superino i valori delle [Specifiche](#) a pagina 47.

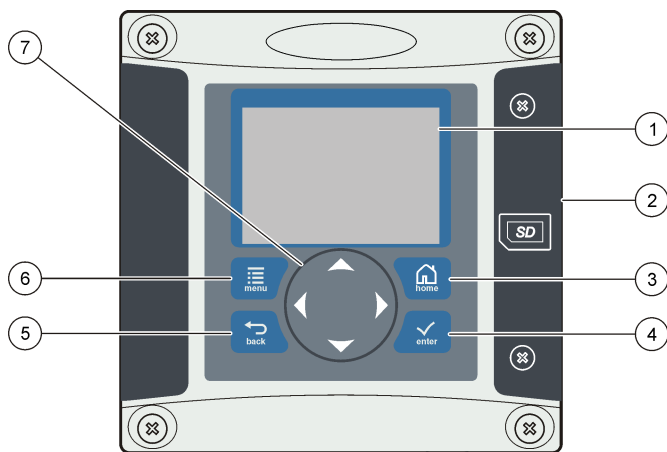
1. Aprire la valvola della tubazione del campione per consentire al campione di scorrere attraverso l'analizzatore.
2. Ruotare la manopola sul flussometro per impostare la portata.
3. Controllare che non ci siano perdite dalle tubazioni e riparare eventuali perdite rilevate.
4. Alimentare il controller.
5. All'avvio del controller, selezionare i menu appropriati.

## Interfaccia utente e navigazione

### Interfaccia utente

Il tastierino dispone di quattro tasti menu e quattro tasti direzionali, come mostrato nella [Figura 4](#).

**Figura 4** Panoramica del tastierino e del pannello anteriore



1 Display dello strumento	5 Tasto <b>INDIETRO</b> . Torna indietro di un livello nella struttura del menu.
2 Coperchio dello slot per schede SD	6 Tasto <b>MENU</b> . Consente di passare al menu Settings (Impostazioni) da altre schermate e sottomenu.
3 Tasto <b>HOME</b> . Consente di passare alla schermata di misurazione principale da altre schermate e sottomenu.	7 Tasti direzionali. Consentono di navigare tra i menu, modificare le impostazioni e aumentare o ridurre le cifre.
4 Tasto <b>INVIO</b> . Consente di accettare valori di input, aggiornamenti o le opzioni di menu visualizzate.	

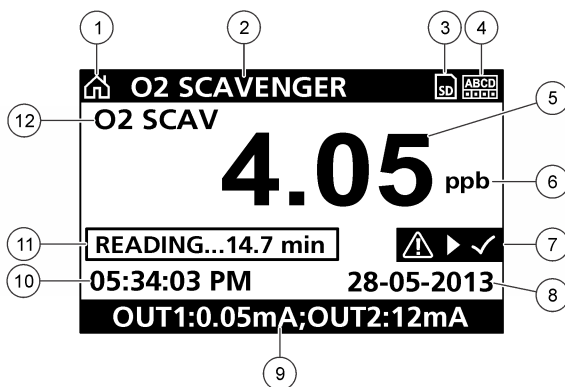
Gli ingressi e le uscite vengono impostati e configurati dal pannello anteriore, tramite il tastierino e lo schermo. Questa interfaccia utente viene utilizzata per impostare e configurare gli ingressi e le uscite, creare informazioni di registro e valori calcolati e per calibrare i sensori. L'interfaccia SD può essere utilizzata per salvare i registri e per aggiornare il software.

## Display

La [Figura 5](#) mostra un esempio di schermata di misurazione principale con il sensore collegato al controller.

Lo schermo mostra i dati di misurazione del sensore, le impostazioni di calibrazione e di configurazione, errori, avvertenze e altre informazioni.

**Figura 5 Esempio di schermata di misurazione principale**



1 Icona della schermata iniziale	7 Barra di stato avvertenza
2 Nome del sensore	8 Data
3 Icona della scheda di memoria SD	9 Valori dell'uscita analogica
4 Indicatore di stato del relè	10 Filtro
5 Valore misura	11 Barra di avanzamento
6 Unità misura	12 Parametro misurato

**Tabella 4 Descrizioni delle icone**

Icona	Descrizione
Schermata Home	L'icona può variare in base alla schermata o al menu visualizzato. Ad esempio, se è installata una scheda SD, viene visualizzata la relativa icona quando l'utente accede al menu Configur. scheda SD.
Scheda di memoria SD	Questa icona viene visualizzata solo se nello slot del lettore è presente una scheda SD. Quando l'utente accede al menu Configur. scheda SD, questa icona viene visualizzata nell'angolo superiore sinistro.
Avvertimento	Un'icona di avvertenza è rappresentata mediante un punto esclamativo all'interno di un triangolo. Le icone di avvertenza appaiono sul lato destro della schermata principale sotto il valore di misurazione. Premere il tasto <b>ENTER</b> (Invio) quindi selezionare il dispositivo per visualizzare eventuali problemi ad esso associati. Dopo avere visualizzato o risolto tutti i problemi, l'icona di avvertenza scompare.
Errore	Un'icona di errore è rappresentata mediante un punto esclamativo all'interno di un cerchio. Quando si verifica un errore, la relativa icona e la schermata di misurazione lampeggiano alternativamente sulla schermata principale. Per visualizzare gli errori, premere il tasto <b>MENU</b> e selezionare <b>Diagnostics</b> (Diagnostica). Quindi selezionare il dispositivo per visualizzare eventuali problemi ad esso associati.

### Formati di visualizzazione aggiuntivi

- Dalla schermata di misurazione principale premere i tasti freccia **sù** e **giù** per spostarsi tra i vari parametri di misurazione
- Dalla schermata di misurazione principale, premere il tasto freccia **destra** per visualizzare uno schermo suddiviso con un massimo di 4 parametri di misurazione. Premere il tasto freccia **destra** per includere altre misurazioni. Premere ripetutamente il tasto freccia **sinistra** per tornare alla schermata di misurazione principale
- Dalla schermata di misurazione principale premere il tasto freccia **sinistra** per passare alla visualizzazione grafica (vedere [Visualizzazione grafica](#) a pagina 64 per definire i parametri). Premere i tasti freccia **sù** e **giù** per passare ai grafici di misurazione

## Visualizzazione grafica

Il grafico mostra le misurazioni della concentrazione e della temperatura per ogni canale utilizzato. Inoltre, consente il facile monitoraggio delle tendenze e mostra le variazioni nel processo.

1. Dalla schermata grafica usare i tasti freccia sù e giù per selezionare un grafico, quindi premere il tasto **home**.
2. Selezionare un'opzione:

Opzione	Descrizione
<b>VALORE MISURAZ.</b>	Consente di impostare il valore di misurazione del canale selezionato. Scegliere tra Auto Scale (Ridimensionamento automatico) e Manually Scale (Ridimensionamento manuale). Per il ridimensionamento manuale digitare i valori di misurazione minimo e massimo
<b>INTERV. DATA E ORA</b>	Selezionare l'intervallo data e ora dalle opzioni disponibili

## Funzionamento

### Configurazione del sensore

Utilizzare il menu CONFIGURE (Configura) per inserire i dati di identificazione del sensore e modificare le opzioni per la gestione e la conservazione dei dati.

1. Premere il tasto **menu**, selezionare SENSOR SETUP (Configurazione sensore) >CONFIGURE (Configura).
2. Utilizzare i tasti freccia per selezionare un'opzione e premere **invio**. Per inserire numeri, caratteri e segni di punteggiatura, tenere premuto il tasto freccia **su** o **giù**. Premere il tasto freccia **destra** per spostarsi allo spazio successivo.

Opzione	Descrizione
<b>MODIFICA NOME</b>	Consente di modificare il nome del sensore visualizzato sulla parte superiore della schermata di misurazione. Il nome è limitato a 16 caratteri in una combinazione qualsiasi di lettere, numeri, spazi e punteggiatura.
<b>S/N SENSORE</b>	Consente all'utente di inserire il numero di serie del sensore, limitato a 16 caratteri in una combinazione qualsiasi di lettere, numeri, spazi e punteggiatura.
<b>UNITÀ MISURA</b>	Consente di modificare le unità di misura. Selezionare l'unità dall'elenco disponibile.
<b>UNITÀ TEMP.</b>	Imposta le unità di temperatura in °C (predefinito) o °F
<b>FILTRO</b>	Imposta una costante di tempo per aumentare la stabilità del segnale. La costante di tempo calcola il valore medio durante un tempo specificato: da 0 (nessun effetto, valore predefinito) a 60 secondi (media del valore di segnale per 60 secondi). Il filtro aumenta il tempo di risposta del segnale del sensore alle modifiche del processo.
<b>LOG SETUP (IMPOST REGISTRO)</b>	Imposta l'intervallo di tempo per la memorizzazione dei dati nel registro: 5, 30 secondi, 1, 2, 5, 10, 15 (predefinito), 30, 60 minuti.
<b>RESET PREDEFINITI</b>	Imposta il menu di configurazione con i valori predefiniti. Tutte le informazioni sul sensore vanno perse.

## Calibrazione

### Informazioni sulla calibrazione del sensore

Nel corso del tempo, le caratteristiche del sensore cambiano e ne compromettono la precisione. Il sensore deve essere calibrato regolarmente per garantirne la precisione. La frequenza di calibrazione varia in base all'applicazione ed è determinata dall'esperienza.



## Calibrazione della temperatura

Si raccomanda di calibrare il sensore della temperatura una volta all'anno. Calibrare il sensore della temperatura prima di calibrare il sensore di misura.

1. Misurare la temperatura dell'acqua con un termometro accurato o uno strumento indipendente.
2. Premere il tasto **menu** e selezionare SENSOR SETUP (Configurazione sensore)>CALIBRATE (Calibra).
3. Se è impostata una password nel menu di sicurezza per il controller, digitarla.
4. Selezionare 1 PT TEMP CAL (Calibrazione temperatura 1 punto) e premere **invio**.
5. Viene visualizzato il valore della temperatura. Premere **invio**.
6. Digitare il valore corretto se diverso da quello visualizzato e premere **invio**.
7. Premere **invio** per confermare la calibrazione. Viene visualizzato l'offset della temperatura.

## Calibrazione zero

Il valore zero è stato calibrato in fabbrica. Utilizzare la procedura di calibrazione zero per definire il punto di zero assoluto del sensore.

1. Se la concentrazione del campione è < 10 ppb, per ottenere risultati ottimali si consiglia di utilizzare la cartuccia opzionale per la calibrazione zero (consultare [Parti di ricambio e accessori](#) a pagina 68) e lasciare il sensore in posizione. Altrimenti, rimuovere il sensore dal processo e sciacquarlo in acqua distillata.
2. Premere il tasto **menu** e selezionare SENSOR SETUP (Configurazione sensore)>CALIBRATE (Calibra).
3. Se è impostata una password nel menu di sicurezza per il controller, digitarla.
4. Selezionare ZERO CAL (Calibrazione zero) e premere **invio**.
5. Selezionare l'opzione per il segnale di output durante la calibrazione:

Opzione	Descrizione
<b>ATTIVO</b>	Lo strumento invia il valore di output misurato corrente durante la procedura di calibrazione.
<b>HOLD (MANTIENI)</b>	Il valore di output del sensore viene tenuto al valore misurato corrente durante la procedura di calibrazione.
<b>TRANSFER (TRASFERISCI)</b>	Un valore di output predefinito viene inviato durante la calibrazione. Per modificare il valore predefinito, fare riferimento al manuale dell'utente del controller.

6. Se non si utilizza la cartuccia opzionale per la calibrazione zero, immergere il sensore pulito in una soluzione priva di idrazina, come l'acqua ultrapura, e premere **invio**.
7. Attendere per almeno un'ora che il valore si stabilizzi quindi premere **invio**.
8. Risultato della calibrazione:
  - PASS (Riuscita) — il sensore è calibrato e viene visualizzato l'offset.
  - FAIL (Fallita) — la calibrazione non rientra nei limiti accettati. Pulire il sensore e riprovare. Per ulteriori informazioni, fare riferimento a [Risoluzione dei problemi](#) a pagina 67.
9. Se la calibrazione è riuscita, premere **invio** per continuare.
10. Se l'opzione ID operatore è impostata a Sì nel menu CAL OPTIONS (Opzioni calibrazione), digitare l'ID operatore. Fare riferimento a [Cambiare le opzioni di calibrazione](#) a pagina 67.
11. Sulla schermata NEW SENSOR (Nuovo sensore), selezionare se il sensore è nuovo.

Opzione	Descrizione
<b>YES (Sì)</b>	Il sensore non è stato calibrato precedentemente con questo controller. I giorni di funzionamento e le curve di calibrazione precedenti per il sensore sono ripristinati.
<b>NO</b>	Il sensore è stato calibrato precedentemente con questo controller.

12. Se non si utilizza la cartuccia opzionale per la calibrazione zero, riportare il sensore nel processo e premere **invio**. Il segnale di output torna allo stato attivo e il valore del campione misurato viene mostrato sulla schermata di misurazione.

**Nota:** Se la modalità di output è impostata su Hold o Transfer, selezionare il tempo di ritardo quando gli output tornano allo stato attivo.

## Calibrazione con il campione di processo

Il sensore può rimanere nel campione di processo.

1. Premere il tasto **menu** e selezionare SENSOR SETUP (Configurazione sensore)>CALIBRATE (Calibra).
2. Se è impostata una password nel menu di sicurezza per il controller, digitarla.
3. Selezionare SAMPLE CAL (Calibrazione campione) e premere **invio**.
4. Selezionare l'opzione per il segnale di output durante la calibrazione:

Opzione	Descrizione
<b>ATTIVO</b>	Lo strumento invia il valore di output misurato corrente durante la procedura di calibrazione.
<b>HOLD (MANTIENI)</b>	Il valore di output del sensore viene tenuto al valore misurato corrente durante la procedura di calibrazione.
<b>TRANSFER (TRASFERISCI)</b>	Un valore di output predefinito viene inviato durante la calibrazione. Per modificare il valore predefinito, fare riferimento al manuale dell'utente del controller.

5. Con il sensore immerso nel campione di processo, premere **invio**. Viene visualizzato il valore misurato. Attendere che il valore si stabilizzi quindi premere **invio**.
6. Misurare la concentrazione del campione utilizzando un secondo strumento di verifica certificato. Per evitare impurità nel campione, eseguire la misurazione prima che il campione entri nella cella di flusso. Utilizzare i tasti freccia per immettere il valore se diverso da quello visualizzato e premere **invio**.
7. Risultato della calibrazione:
  - PASS (Riuscita) — il sensore è calibrato e viene visualizzato il fattore di calibrazione.
  - FAIL (Fallita) —la calibrazione non rientra nei limiti accettati. Pulire il sensore e riprovare. Per ulteriori informazioni, fare riferimento a [Risoluzione dei problemi](#) a pagina 67.
8. Se la calibrazione è riuscita, premere **invio** per continuare.
9. Se l'opzione per ID operatore è impostata a Sì nel menu CAL OPTIONS (Opzioni calibrazione), digitare un ID operatore. Fare riferimento a [Cambiare le opzioni di calibrazione](#) a pagina 67.
10. Nella schermata NEW SENSOR (Nuovo sensore), selezionare se il sensore è nuovo:

Opzione	Descrizione
<b>YES (Sì)</b>	Il sensore non è stato calibrato precedentemente con questo controller. I giorni di funzionamento e le curve di calibrazione precedenti per il sensore sono ripristinati.
<b>NO</b>	Il sensore è stato calibrato precedentemente con questo controller.

11. Con il sensore ancora immerso nel processo, premere **invio**. Il segnale di output torna allo stato attivo e il valore del campione misurato viene mostrato sulla schermata di misurazione.

**Nota:** Se la modalità di output è impostata su Hold o Transfer, selezionare il tempo di ritardo quando gli output tornano allo stato attivo.

## Cambiare le opzioni di calibrazione

L'utente può utilizzare questo menu per impostare una promemoria per la calibrazione oppure includere un ID operatore nei dati di calibrazione.

1. Premere il tasto **menu** e selezionare SENSOR SETUP (Configurazione sensore) >CALIBRATE (Calibra).
2. Se è impostata una password per il controller nel menu sicurezza, digitarla.
3. Selezionare CAL OPTIONS (Opzioni calibrazione) e premere **invio**.
4. Utilizzare i tasti freccia per selezionare un'opzione e premere **invio**.

Opzione	Descrizione
<b>PROMEM CALIBRAZIONE</b>	Imposta un promemoria per la calibrazione successiva in giorni, mesi o anni. Selezionare dall'elenco l'intervallo desiderato.
<b>OP ID SU CALIB</b>	Include un ID operatore nei dati di calibrazione: SÌ o NO (predefinito). L'ID viene inserito durante la calibrazione.

## Manutenzione

### ▲ PERICOLO

Rischi multipli. Gli interventi descritti in questa sezione del documento devono essere eseguiti solo da personale qualificato.

## Pulizia e decontaminazione

### ▲ PERICOLO

Staccare sempre l'alimentazione dal controller prima di procedere alle attività di manutenzione.

L'analizzatore non richiede normalmente alcuna pulizia o decontaminazione. Se necessario, pulire la superficie esterna dello strumento con un panno umido e una soluzione detergente neutra. Non utilizzare mai agenti di pulizia come trementina, acetone o altri prodotti simili per pulire lo strumento, incluso il display e gli eventuali accessori.

## Risoluzione dei problemi

### Elenco avvisi

Un'icona di avvertenza si presenta con un punto esclamativo all'interno di un triangolo. Le icone di avvertenza appaiono sul lato destro della schermata principale sotto il valore di misurazione. Un messaggio di avviso non influenza il funzionamento di menu, relè e output. Per visualizzare gli avvisi, premere il tasto **menu** e selezionare DIAGNOSTICS (Diagnostica). Quindi selezionare il dispositivo per visualizzare eventuali problemi ad esso associati. Dopo avere visualizzato o risolto il problema, l'icona di avvertenza scompare.

Un elenco di possibili avvertimenti è mostrato nella [Tabella 5](#).

**Tabella 5** Elenco dei messaggi di avvertimento per i sensori degli assorbitori di ossigeno

Avvertimento	Descrizione	Risoluzione
DEPUR O2 TROPPO ALTO	Il valore misurato è > 10000 ppm	Accertarsi che il livello dell'assorbitore di ossigeno (idrazina o carboidrazina) presente nelle acque di processo rientri nei limiti operativi del sensore. Calibrare o sostituire il sensore.
DEPUR O2 TROPPO BASSO	Il valore misurato è < 0 ppm	Calibrare o sostituire il sensore.
TEMP TROPPO ALTA	La temperatura misurata è >50 °C	Ridurre la temperatura del campione.

**Tabella 5 Elenco dei messaggi di avvertimento per i sensori degli assorbitori di ossigeno (continua)**

Avvertimento	Descrizione	Risoluzione
TEMP TOO LOW (TEMP TROPPO BASSA)	La temperatura misurata è < 0 °C	Aumentare la temperatura del campione.
CORRENTE TROPPO ALTA	La corrente misurata è > 200 mA	Accertarsi che il livello dell'assorbitore di ossigeno (idrazina o carboidrazina) presente nelle acque di processo rientri nei limiti operativi del sensore. Calibrare o sostituire il sensore.
CORRENTE TROPPO BASSA	La corrente misurata è < -0,5 mA	Calibrare o sostituire il sensore.
CALIBRAZ SCADUTA	Il tempo del Promemoria di calibrazione (Cal Reminder) è scaduto	Calibrare il sensore.
REPLACE SENSOR (SOSTITUIRE SENSORE)	Il sensore è stato utilizzato per > 365 giorni	Sostituire la cartuccia sonda e calibrare il sensore. Se il risultato della calibrazione è positivo, resettare i giorni della membrana nel menu DIAG/TEST.
NON CALIBRATO	Il sensore non è stato calibrato	Calibrare il sensore.
CALIB IN CORSO	Una calibrazione è stata avviata, ma non è stata completata	Tornare alla calibrazione.

## Parti di ricambio e accessori

Per le parti e gli accessori del controller consultare la sezione Parti di ricambio e accessori della documentazione del controller.

**Nota:** *Prodotti e numeri articolo possono variare in funzione del paese di commercializzazione. Contattare il distributore appropriato o fare riferimento al sito Web dell'azienda per dati di contatto.*

### Kit parti di ricambio per 2 anni - 09186=A=8000

Descrizione	Quantità	Articolo n.
Filtro	6	363877,06000
Elettrodo di riferimento	1	368429,00000
Ugello di iniezione Venturi	1	359090,00024
O-Ring per ugello di iniezione Venturi	1	356099,05090
Granuli di plastica per pulizia	7	588801,75008
Tubo PE 4 x 6 mm	2 metri	151575,00006

### Cella di misura

Descrizione	Articolo n.
Cella di misura	09186=A=0100
Elettrodo di riferimento	368429,00000
Elettrodo operativo	09186=A=0300
Raccordo a gomito di ingresso G1/8 DN 4/6	359103,10070
Raccordo di uscita G1/8 DN6/8	359103,10055

## Cella di misura (continua)

Descrizione	Articolo n.
Presca NPT1/8	431=201=018
Flacone condizionamento con dispositivo	09186=A=0200
Flacone di vetro marrone	490=010=011
Cartuccia porosa	09073=C=0340
Raccordo G1/8 DN4/6	359103,10065
Controller velocità flusso in dotazione	09186=A=0400
Raccordo di ingresso G1/4 DN4/6	587=006=002
Raccordo a gomito corto G1/4 DN4/6	359103,10072
Raccordo a gomito lungo G1/4 DN4/6	587=906=002
Flussometro	694=000=001
Raccordo a gomito NPT1/8 DN4/6	359103,10170

## Accessori

Descrizione	Articolo n.
Cartuccia per la calibrazione dello zero chimico	09186=A=0600

# Table des matières

[Spécifications](#) à la page 70

[Généralités](#) à la page 72

[Installation](#) à la page 75

[Démarrage](#) à la page 84

[Interface utilisateur et navigation](#) à la page 84

[Fonctionnement](#) à la page 87

[Entretien](#) à la page 90

[Recherche de panne](#) à la page 90

[Pièces de rechange et accessoires](#) à la page 91

## Version enrichie de ce manuel

Pour de plus amples informations, consultez la version enrichie de ce manuel, accessible sur le site Web du fabricant.

## Spécifications

Les spécifications peuvent faire l'objet de modifications sans préavis.


### Panneau

Spécification	Détails
Dimensions	817 x 300 x 140 mm (32,2 x 11,8 x 5,5 po)
Poids	14,6 kg (32,15 lbs)
Débit échantillon	10—15 litres/heure
Pression de fonctionnement	0,5—6 bar (7—87 psi)
Température ambiante	0—60 °C (-32—140 °F)
Humidité relative	10—90%
Électrode de travail	Platine
Électrode du compteur	Acier inoxydable
Référence	Ag / AgCl / KCl 0.1 M
Cellule de mesure	Acrylique
Conditionneur d'échantillon	DIPA (diisopropylamine)
Normes européennes	EN 61326 Classe A pour CEM ; EN 601010-1 pour la sécurité basse tension
Normes internationales	cETLus

### Capteur

Spécification	Détails
Plage de mesure	0—500 ppb hydrazine ; 0—100 ppb carbohydrazide
Sensibilité	< 0,2 ppb
Répétabilité	1 ppb ou $\pm$ 2% de la mesure (le plus grand des deux)
Limite de détection	$\leq$ 1 ppb
Temps de réponse	< 60 secondes
Plage de mesure de température de l'échantillon	5—45 °C (41—113 °F)

## Contrôle

Spécification	Détails
Description des composants	Transmetteur piloté par microprocesseur et par menus qui gère le fonctionnement des capteurs et affiche les valeurs mesurées
Température de fonctionnement	De -20 à 60 °C (-4 à 140 °F) ; 95 % d'humidité relative, sans condensation, avec charge de capteur inférieure à 7 W ; de -20 à 50 °C (-4 à 104 °F) avec charge de capteur inférieure à 28 W
Température de stockage	De -20 à 70 °C (-4 à 158 °F) ; 95 % d'humidité relative, sans condensation
Boîtier <sup>1</sup>	Boîtier métallique NEMA 4X/IP66 avec finition résistante à la corrosion
Alimentation	<b>Transmetteur alimenté en courant alternatif</b> : 100-240 VCA ±10 %, 50/60 Hz ; puissance 50 VA avec charge de module de réseau/de capteur 7 W, 100 VA avec charge de module de réseau/de capteur 28 W (en option, connexion réseau Modbus RS232/RS485, Profibus DPV1 ou HART).
	<b>Transmetteur alimenté en courant continu 24 VCC</b> : 24 VCC—15 %, + 20 % ; puissance 15 W avec charge de module de réseau/de capteur 7 W, 40 W avec charge de module de réseau/de capteur 28 W (en option, connexion réseau Modbus RS232/RS485, Profibus DPV1 ou HART).
Altitude	Altitude standard de 2000 mètres (6562 ft) au-dessus du niveau de la mer (ASL)
Degré de pollution/catégorie de l'installation	Degré de pollution 2 ; Catégorie d'installation II
Sorties	Deux sorties analogiques (0-20 mA ou 4-20 mA). Il est possible de configurer chaque sortie analogique afin qu'elle représente un paramètre mesuré, tel que le pH, la température, le débit ou des valeurs calculées. Le module en option fournit trois sorties analogiques supplémentaires (pour un total de 5).
Relais	Quatre contacts configurés par l'utilisateur présentant une tension nominale de 250 VCA et un courant résistif maximal de 5 A pour le transmetteur alimenté en courant alternatif, et une tension nominale de 24 VCC et un courant résistif maximal de 5 A pour le transmetteur alimenté en courant continu. Les relais sont conçus pour être connectés à l'alimentation secteur (lorsque le transmetteur fonctionne en 115 - 240 VCA) ou aux circuits en courant continu (lorsque le transmetteur fonctionne en 24 VCC).
Dimensions	½ DIN - 144 x 144 x 180,9 mm (5.7 x 5.7 x 7.12 in.)
Poids	1,7 kg (3,75 lb)
Exigences EMC	EN61326-1: Directive CEM <b>Remarque</b> : Ce produit appartient à la classe A. Dans un environnement domestique ce produit peut provoquer des interférences radio auquel cas l'utilisateur peut être amené à prendre des mesures adéquates.
 Korean registration	<b>User Guidance for EMC Class A Equipment</b> 업무용을 위한 EMC 등급 A 장치에 대한 사용자 지침 사용자안내문 A 급 기기 ( 업무용 방송통신기자재 ) 이 기기는 업무용 (A 급) 전자파적합기기로서 판매자 또는 사용자는 이 점을 주의하시기 바라며, 가정외의 지역에서 사용하는 것을 목적으로 합니다.
Conformité CE	EN61010-1: Directive basse tension

<sup>1</sup> Les unités disposant de la certification Underwriters Laboratories (UL) sont prévues pour une utilisation en intérieur uniquement et ne sont pas certifiées NEMA 4X/IP66.

Spécification	Détails
Communication numérique	Connexion réseau Modbus, RS232/RS485, Profibus DPV1 ou HART en option pour la transmission de données
Journalisation des données	Carte SD sécurisée (32 Go maximum) ou connecteur de câble RS232 spécial pour l'enregistrement des données et l'exécution des mises à jour logicielles. Le transmetteur conserve environ 20 000 points de données par capteurs.
Garantie	2 ans

## Généralités

En aucun cas le constructeur ne saurait être responsable des dommages directs, indirects, spéciaux, accessoires ou consécutifs résultant d'un défaut ou d'une omission dans ce manuel. Le constructeur se réserve le droit d'apporter des modifications à ce manuel et aux produits décrits à tout moment, sans avertissement ni obligation. Les éditions révisées se trouvent sur le site Internet du fabricant.

## Consignes de sécurité

### AVIS

Le fabricant décline toute responsabilité quant aux dégâts liés à une application ou un usage inappropriés de ce produit, y compris, sans toutefois s'y limiter, des dommages directs ou indirects, ainsi que des dommages consécutifs, et rejette toute responsabilité quant à ces dommages dans la mesure où la loi applicable le permet. L'utilisateur est seul responsable de la vérification des risques d'application critiques et de la mise en place de mécanismes de protection des processus en cas de défaillance de l'équipement.

Veuillez lire l'ensemble du manuel avant le déballage, la configuration ou la mise en fonctionnement de cet appareil. Respectez toutes les déclarations de prudence et d'attention. Le non-respect de cette procédure peut conduire à des blessures graves de l'opérateur ou à des dégâts sur le matériel.

Assurez-vous que la protection fournie avec cet appareil n'est pas défaillante. N'utilisez ni n'installez cet appareil d'une façon différente de celle décrite dans ce manuel.

### Interprétation des indications de risques

#### ▲ DANGER

Indique une situation de danger potentiel ou imminent qui, si elle n'est pas évitée, entraîne des blessures graves, voire mortelles.

#### ▲ AVERTISSEMENT

Indique une situation de danger potentiel ou imminent qui, si elle n'est pas évitée, peut entraîner des blessures graves, voire mortelles.

#### ▲ ATTENTION

Indique une situation de danger potentiel qui peut entraîner des blessures mineures ou légères.

### AVIS








Indique une situation qui, si elle n'est pas évitée, peut occasionner l'endommagement du matériel. Informations nécessitant une attention particulière.

### Étiquettes de mise en garde

Lisez toutes les informations et toutes les étiquettes apposées sur l'appareil. Des personnes peuvent se blesser et le matériel peut être endommagé si ces instructions ne sont pas respectées. Un



symbole sur l'appareil est référencé dans le manuel et accompagné d'une déclaration de mise en garde.

	Ceci est le symbole d'alerte de sécurité. Se conformer à tous les messages de sécurité qui suivent ce symbole afin d'éviter tout risque de blessure. S'ils sont apposés sur l'appareil, se référer au manuel d'utilisation pour connaître le fonctionnement ou les informations de sécurité.
	Ce symbole indique qu'il existe un risque de choc électrique et/ou d'électrocution.
	Ce symbole indique la présence d'appareils sensibles aux décharges électrostatiques et indique que des précautions doivent être prises afin d'éviter d'endommager l'équipement.
	Ce symbole, apposé sur un produit, indique que l'instrument est raccordé au courant alternatif.
	Le matériel électrique portant ce symbole ne doit pas être mis au rebut dans les réseaux domestiques ou publics européens. Retournez le matériel usé ou en fin de vie au fabricant pour une mise au rebut sans frais pour l'utilisateur.
	Ce symbole, apposé sur les produits, indique que le produit contient des substances ou éléments toxiques ou dangereux. Le numéro à l'intérieur du symbole indique la période d'utilisation en années pour la protection de l'environnement.
	Ce symbole, apposé sur les produits, indique que le produit est conforme aux normes CEM appropriées de la Corée du Sud.

## Certification

### Règlement canadien sur les équipements causant des interférences radio, IECS-003, Classe A:

Les données d'essai correspondantes sont conservées chez le constructeur.

Cet appareil numérique de classe A respecte toutes les exigences du Règlement sur le matériel brouilleur du Canada.

### FCC part 15, limites de classe A :

Les données d'essai correspondantes sont conservées chez le constructeur. L'appareil est conforme à la partie 15 de la réglementation FCC. Le fonctionnement est soumis aux conditions suivantes :

1. Cet équipement ne peut pas causer d'interférence nuisible.
2. Cet équipement doit accepter toutes les interférences reçues, y compris celles qui pourraient entraîner un fonctionnement inattendu.

Les modifications de cet équipement qui n'ont pas été expressément approuvées par le responsable de la conformité aux limites pourraient annuler l'autorité dont l'utilisateur dispose pour utiliser cet équipement. Cet équipement a été testé et déclaré conforme aux limites définies pour les appareils numériques de classe A, conformément à la section 15 de la réglementation FCC. Ces limites sont conçues pour offrir une protection raisonnable contre des interférences nuisibles lorsque l'appareil est utilisé dans un environnement commercial. Cet équipement génère, utilise et peut irradier l'énergie des fréquences radio et, s'il n'est pas installé ou utilisé conformément au mode d'emploi, il peut entraîner des interférences dangereuses pour les communications radio. Le fonctionnement de cet équipement dans une zone résidentielle risque de causer des interférences nuisibles, dans ce cas l'utilisateur doit corriger les interférences à ses frais. Les techniques ci-dessous peuvent permettre de réduire les problèmes d'interférences :

1. Débrancher l'équipement de la prise de courant pour vérifier s'il est ou non la source des perturbations
2. Si l'équipement est branché sur le même circuit de prises que l'appareil qui subit des interférences, branchez l'équipement sur un circuit différent.
3. Éloigner l'équipement du dispositif qui reçoit l'interférence.
4. Repositionner l'antenne de réception du périphérique qui reçoit les interférences.
5. Essayer plusieurs des techniques ci-dessus à la fois.

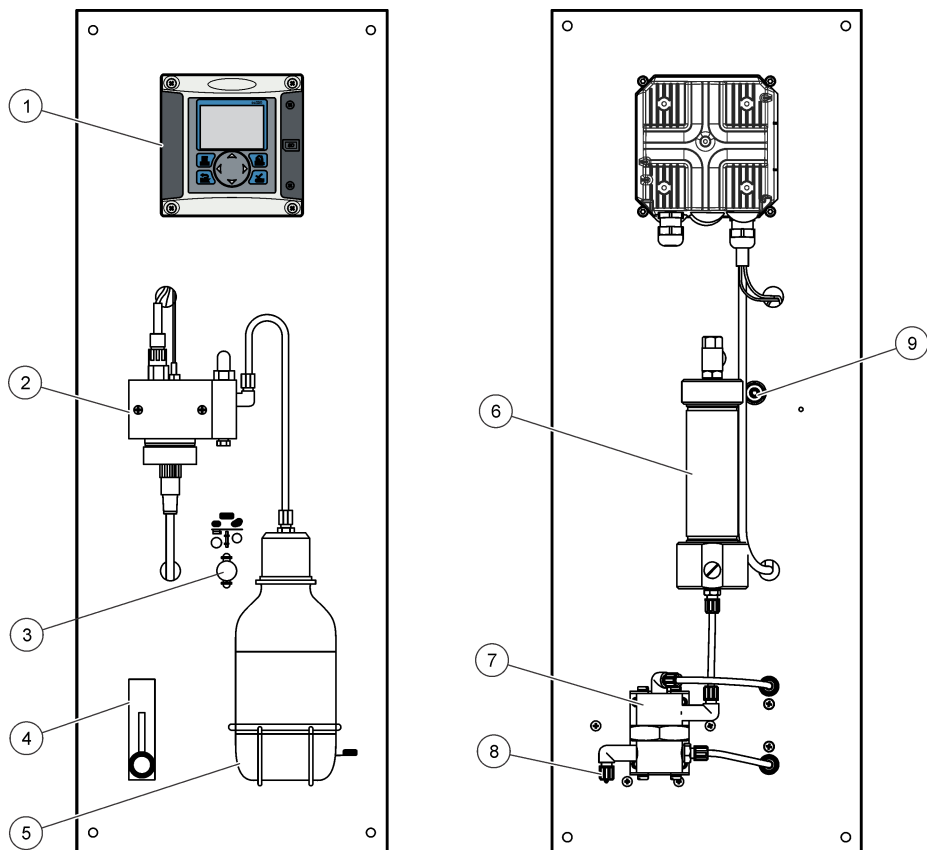
## **Composants du produit**

Assurez-vous d'avoir bien reçu tous les composants. Si des éléments manquent ou sont endommagés, contactez immédiatement le fabricant ou un représentant commercial.

## Présentation du produit

L'analyseur est conçu pour la mesure continue de la quantité de fixateurs d'oxygène (hydrazine ou carbohydrazide) dans l'eau.

Figure 1 Vue de face et de dos



1 Contrôleur	6 Cartouche zéro chimique (option)
2 Cellule de mesure	7 Régulateur de pression
3 Marche/arrêt zéro chimique (option)	8 Entrée d'échantillon, tube de 4/6 mm
4 Débitmètre	9 Vidange d'échantillon, tube de 6/8 mm, pression atmosphérique
5 Bouteille de conditionnement d'échantillon (DIPA)	

## Installation

### ▲ ATTENTION



Dangers multiples. Seul le personnel qualifié doit effectuer les tâches détaillées dans cette section du document.

## Montage de l'analyseur

### ▲ ATTENTION

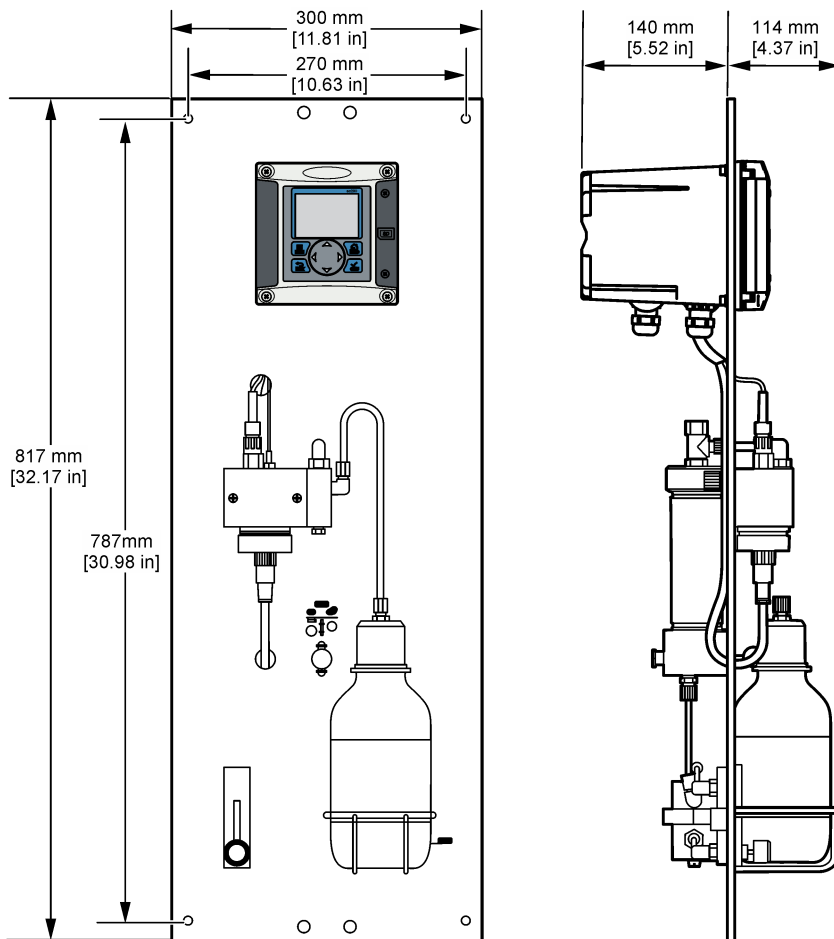
Risque de blessures. Les instruments ou les composants sont lourds. Ne les installez ou ne les déplacez pas tout seul. Vérifiez que le montage mural est capable de supporter 4 fois le poids de l'équipement.

### AVIS

L'analyseur doit être aligné verticalement pour garantir la précision.

Fixez l'analyseur à une surface stable et verticale. Utilisez un niveau pour vous assurer que l'analyseur est parfaitement à la verticale. Reportez-vous aux instructions suivantes.

- Placez l'instrument dans un emplacement disposant d'un accès pour utilisation, réparation et étalonnage.
- Assurez-vous de bien voir l'écran et les contrôles.
- Ne placez pas l'instrument à proximité d'une source de chaleur.
- Placez l'instrument à distance de vibrations.
- Réduisez le plus possible le tuyau d'échantillonnage afin de minimiser le temps de réponse.
- Assurez-vous que la conduite d'échantillon est exempte d'air.

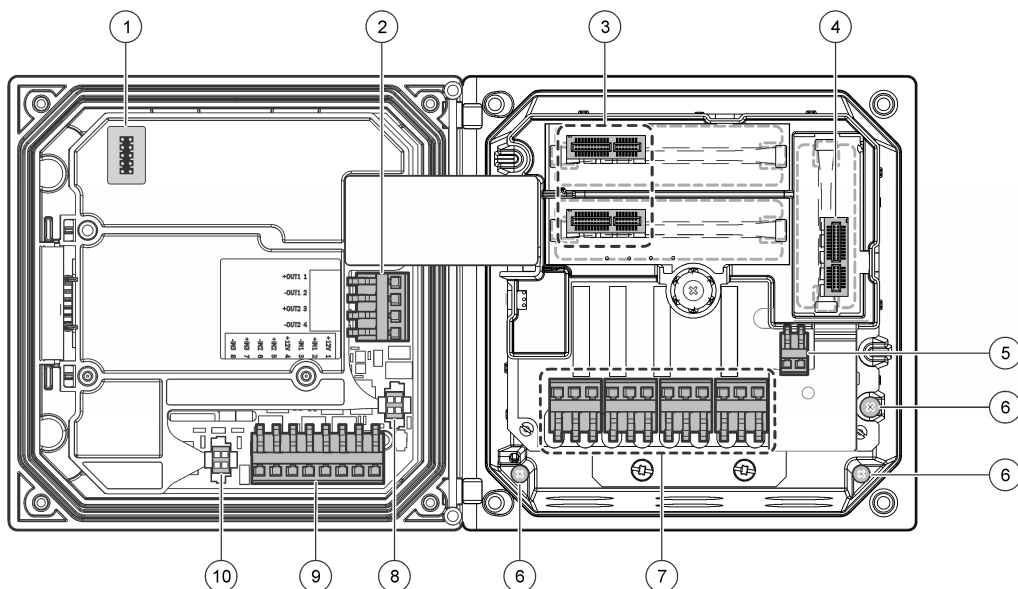


## Présentation du câblage

La **Figure 2** illustre le branchement des câbles dans le contrôleur lorsque l'écran de protection haute tension est retiré. Le côté gauche de la figure représente l'arrière de la façade du contrôleur.

**Remarque :** Retirez les obturateurs des connecteurs avant installation des modules.

**Figure 2** Présentation des connexions pour câblage



1 Connexion de service	5 Connecteur d'alimentation CA et CC <sup>2</sup>	9 Connecteur du câblage d'entrée distincte <sup>2</sup>
2 Sortie 4-20 mA <sup>2</sup>	6 Cosses de masse	10 Connecteur de capteur numérique <sup>2</sup>
3 Connecteur de module de capteur	7 Connexions de relais <sup>2</sup>	
4 Connecteur de module de communication (par exemple, Modbus, Profibus, HART ou module 4-20 mA en option)	8 Connecteur de capteur numérique <sup>2</sup>	

### Écran de protection haute tension

Les câbles haute tension du contrôleur sont situés derrière l'écran de protection haute tension, dans le boîtier du contrôleur. Cet écran doit rester en place, sauf lors de l'installation de modules ou l'installation par un technicien qualifié du câblage d'alimentation, d'alarmes, de sorties ou de relais. Ne retirez pas l'écran lorsque le contrôleur est sous tension.

### Câblage pour l'alimentation

#### ⚠ AVERTISSEMENT



Risque potentiel d'électrocution Coupez systématiquement l'alimentation de l'appareil lors de branchements électriques.

<sup>2</sup> Les cosses peuvent être retirées pour un accès plus facile.

## ⚠ AVERTISSEMENT



Risque potentiel d'électrocution Si cet équipement est utilisé à l'extérieur ou dans des lieux potentiellement humides, un dispositif de **disjoncteur de fuite à la terre** doit être utilisé pour le branchement de l'équipement à sa source d'alimentation secteur.

## ⚠ DANGER



Risque d'électrocution Ne branchez pas l'alimentation secteur sur un modèle alimenté en 24 VCC.

## ⚠ AVERTISSEMENT



Risque potentiel d'électrocution Le branchement à la terre de protection (PE) est obligatoire pour les applications de câblage 100-240 VCA et 24 VCC. L'absence d'un bon branchement à la terre (PE) peut conduire à un risque de choc électrique et à des mauvaises performances suite aux interférences électromagnétiques. Raccordez TOUJOURS la borne du transmetteur à un bon branchement à la terre.

## AVIS

Installez l'appareil dans un emplacement et une position permettant d'accéder facilement à l'appareil débranché et à son fonctionnement.

Deux modèles de contrôleur sont disponibles : un modèle alimenté en courant alternatif de 100-240 V et un modèle alimenté en courant continu de 24 V. Suivez les instructions de câblage correspondant au modèle acheté.

Le contrôleur peut être connecté à l'alimentation électrique par passage des câbles dans un conduit ou par connexion à un cordon d'alimentation. Quel que soit le câble utilisé, les connexions sont effectuées au niveau des mêmes bornes. Un sectionneur local se conformant au code électrique local est exigé et doit être utilisé pour tous les types d'installation. Dans les applications câblées, la section des points de raccordement de l'alimentation et de la prise de terre de sécurité pour l'appareil doit être comprise entre 18 et 12 AWG (0,8 mm<sup>2</sup> et 3,3 mm<sup>2</sup>) Assurez-vous que l'isolant du fil de masse est classé pour 80 °C (176 °F) minimum.

### Remarques :

- Retirer l'écran de protection haute tension avant de réaliser des branchements électriques. Après avoir effectué tous les branchements, remplacez l'écran de protection haute tension avant de fermer la façade du contrôleur.
- Un protecteur de cordon étanche et un cordon d'alimentation d'une longueur inférieure à 3 m (10 ft) avec trois conducteurs de calibre 18 (comprenant le câble de mise à la terre) peut être utilisé afin d'assurer la classification environnementale définie par la NEMA 4X/IP66.
- Vous pouvez commander des contrôleurs dont les cordons d'alimentation pour courant alternatif sont déjà installés. Vous pouvez également commander des cordons d'alimentation supplémentaires.
- La source d'alimentation continue du contrôleur alimenté par un courant continu de 24 V doit maintenir la régulation de tension dans les limites de tension spécifiées, à savoir 24 VCC -15 % +20 %. La source d'alimentation continue doit également offrir une protection appropriée contre les surcharges et les perturbations de courant.

### Procédure de câblage

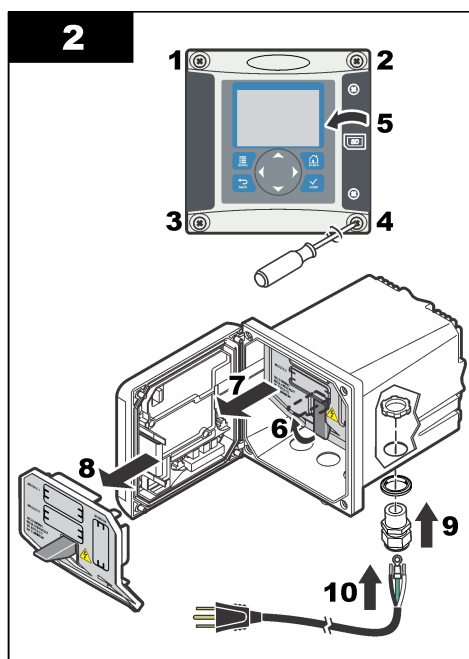
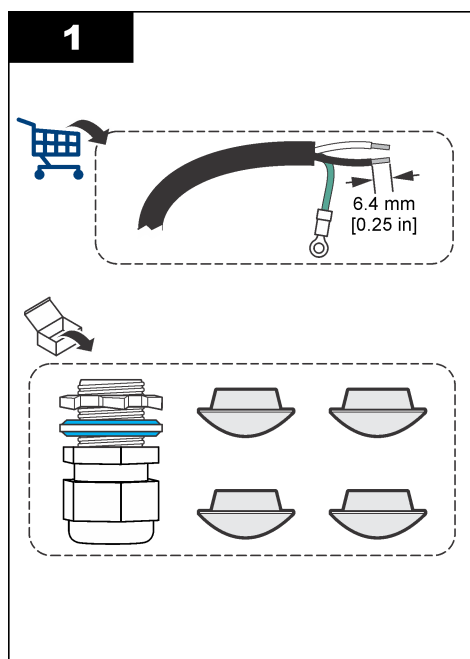
Reportez-vous aux étapes illustrées ci-dessous et à [Tableau 1](#) ou [Tableau 2](#) pour connecter le transmetteur à l'alimentation. Insérez chaque câble dans la borne correspondante jusqu'à ce que l'isolant touche le connecteur, de sorte à ne laisser aucune partie dénudée visible. Tirez légèrement après l'insertion afin de vérifier que le branchement a été bien effectué. Sceller toutes les ouvertures non utilisées dans la boîte du contrôleur avec des obturateurs pour conduit.

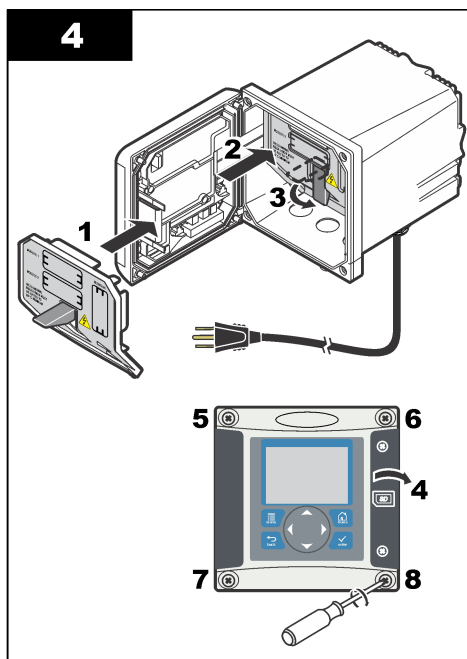
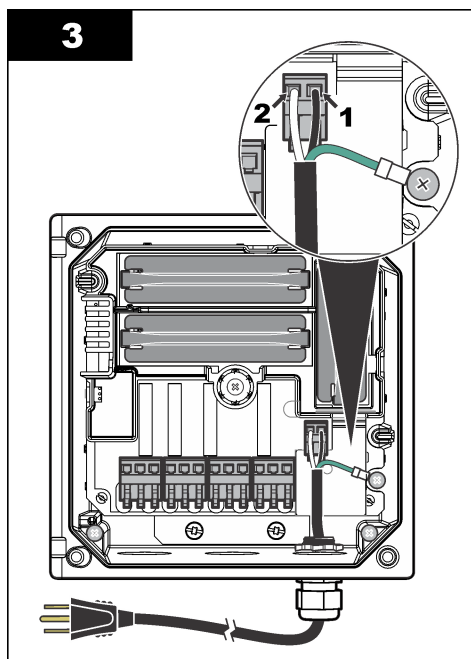
**Tableau 1 Informations relatives au câblage pour un branchement à une alimentation en courant alternatif (uniquement pour les modèles alimentés en courant alternatif)**

Borne	Description	Couleur (Amérique du Nord)	Couleur (UE)
1	Phase (L1)	Noir	Marron
2	Neutre (N)	Blanc	Bleu
—	Cosse du fil de masse à la terre	Vert	Vert avec des bandes jaunes

**Tableau 2 Informations relatives au câblage pour un branchement à une alimentation en courant continu (uniquement pour les modèles alimentés en courant continu)**

Borne	Description	Couleur (Amérique du Nord)	Couleur (UE)
1	+24 V CC	Rouge	Rouge
2	Retour de 24 V CC	Noir	Noir
—	Cosse du fil de masse à la terre	Vert	Vert avec des bandes jaunes





## Alarmes et relais

Le contrôleur est équipé de quatre relais unipolaires autonomes de tension nominale 100-250 VCA, 50/60 Hz, courant résistif de 5 ampères maximum. Les contacts présentent une tension nominale de 250 VCA et un courant résistif maximal de 5 ampères pour le contrôleur alimenté en courant alternatif, et une tension nominale de 24 VCC et un courant résistif maximal de 5 ampères pour le contrôleur alimenté en courant continu. Les relais ne présentent aucune valeur nominale pour les charges inductives.

## Câblage des relais

### ⚠ AVERTISSEMENT



Risque potentiel d'électrocution Coupez systématiquement l'alimentation de l'appareil lors de branchements électriques.

### ⚠ AVERTISSEMENT



Risque d'incendie potentiel! Les contacts de relais ont une valeur nominale de 5 A et ne contiennent pas de fusible. Les charges externes connectées aux relais doivent être pourvues de dispositifs limiteurs de courant < 5 A.

### ⚠ AVERTISSEMENT



Risque d'incendie potentiel! Ne raccordez pas en guirlande les connexions relais standard ou le câble volant à partir de la connexion secteur située dans l'appareil.

### ⚠ AVERTISSEMENT



Risque potentiel d'électrocution Afin que les caractéristiques nominales du boîtier restent conformes aux normes environnementales NEMA/IP, n'utilisez, pour acheminer les câbles vers l'intérieur de l'appareil, que des raccords de conduit et des passe-câbles dont la valeur nominale correspond au moins à la valeur NEMA 4X/IP66.

## Contrôleurs alimentés en courant alternatif (100-250 V)



## ⚠ AVERTISSEMENT



Risque potentiel d'électrocution. Les transmetteurs alimentés sur secteur en courant alternatif (115 V - 230 V) sont conçus pour un raccordement de type relais à des circuits en courant alternatif (tension inférieure à une tension efficace de 16 V, à une tension de crête de 22,6 V ou à une tension en courant continu de 35 V).

Le compartiment de câblage n'est pas conçu pour un raccordement à une alimentation supérieure à 250 VCA.

### Contrôleurs alimentés en 24 VCC

## ⚠ AVERTISSEMENT



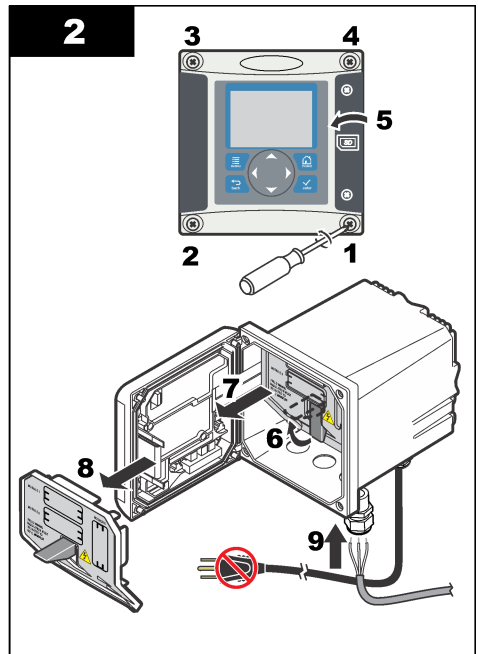
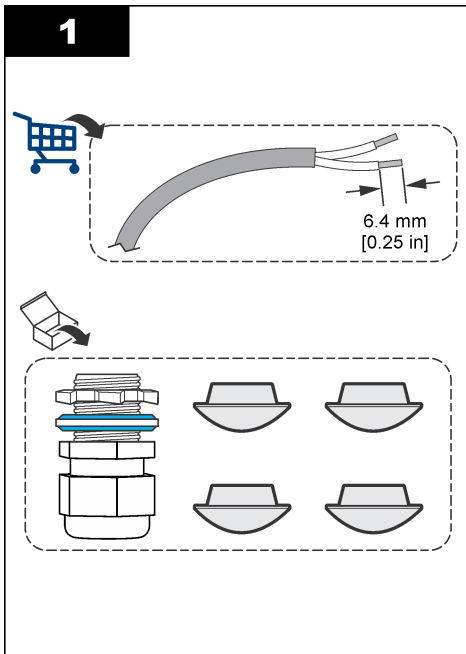
Risque potentiel d'électrocution. Les transmetteurs alimentés en 24 V sont conçus pour un raccordement de type relais à des circuits basse tension (tension inférieure à une tension efficace de 16 V, à une tension de crête de 22,6 V ou à une tension en courant continu de 35 V).

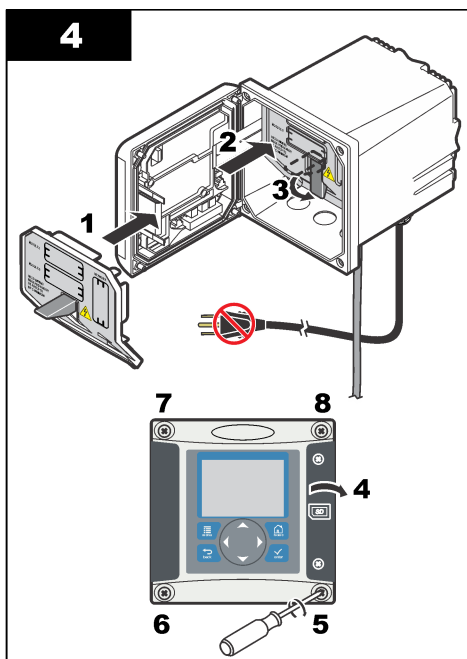
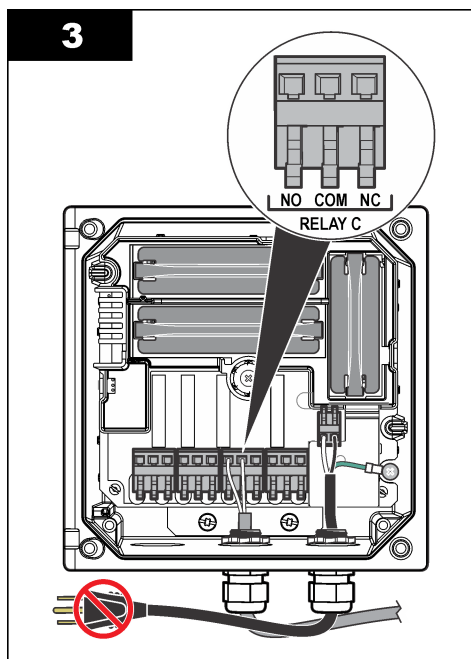
Les relais du transmetteur 24 VCC sont conçus pour un raccordement à des circuits basse tension (tension inférieure à une tension efficace de 30 V, à une tension de crête de 42,2 V ou à une tension en courant continu de 60 V). Le compartiment de câblage n'est pas conçu pour un raccordement à une alimentation supérieure à ces niveaux.

Le connecteur de relais admet le câble de 18 à 12 AWG. (comme l'indique l'application de charge). Il est déconseillé d'utiliser des fils de calibre inférieur à 18 AWG. Assurez-vous que l'isolant du fil de masse est classé pour 80 °C (176 °F) minimum.

Les contacts de relais NO (Normally Open, normalement ouverts) et Com (Common, communs) sont reliés en cas d'alarme ou d'autre situation. Connecter les contacts de relais normalement fermés (NF) et communs (COM) si une alarme ou une autre condition est inactive (à moins que la sécurité intégrée soit activée) ou si le contrôleur est mis hors tension.

La plupart des connexions réseau utilisent soit les bornes NO et COM, soit les bornes NF et COM. Suivez les étapes d'installation numérotées pour connecter les bornes NO et COM.





### Connexions de sortie analogique

#### ▲ AVERTISSEMENT



Risque potentiel d'électrocution Coupez systématiquement l'alimentation de l'appareil lors de branchements électriques.

#### ▲ AVERTISSEMENT



Risque potentiel d'électrocution Afin que les caractéristiques nominales du boîtier restent conformes aux normes environnementales NEMA/IP, n'utilisez, pour acheminer les câbles vers l'intérieur de l'appareil, que des raccords de conduit et des passe-câbles dont la valeur nominale correspond au moins à la valeur NEMA 4X/IP66.

Deux sorties analogiques isolées (1 et 2) sont prévues (Figure 3). Ce type de sortie est généralement utilisé pour la transmission des signaux de mesure ou pour le contrôle d'autres appareils externes.

Connectez les câbles au contrôleur de la façon indiquée dans les Figure 3 et Tableau 3.

**Remarque :** Figure 3 représente l'arrière de la façade du contrôleur et non l'intérieur du compartiment principal de ce dernier.

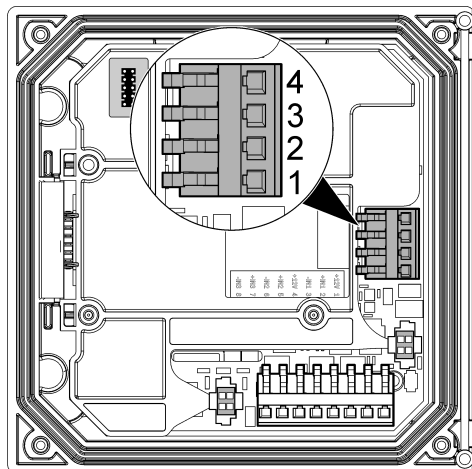
Tableau 3 Connexions de sortie

Câbles d'enregistreur	Position des cartes de circuits imprimés
Sortie 2-	4
Sortie 2+	3
Sortie 1-	2
Sortie 1+	1

1. Ouvrez la façade du contrôleur.
2. Faites passer les câbles par le serre-câble.

3. Revoyez la position des câbles si nécessaire et serrez le serre-câble.
4. Effectuez les connexions avec le fil blindé torsadé et reliez le blindage à l'extrémité du composant contrôlé ou à l'extrémité de la boucle de contrôle.
  - Ne pas connecter le blindage aux deux extrémités du câble.
  - L'utilisation d'un câble non blindé peut résulter en l'émission de fréquences radio ou en des niveaux de susceptibilité plus élevés que permis.
  - La résistance de boucle maximale est de 500 ohms.
5. Fermez la façade du contrôleur et serrez-en les vis.
6. Configurez les sorties dans le contrôleur.

**Figure 3 Connexions de sortie analogique**



### **Connexion de la sortie de communication numérique en option**

Le contrôleur prend en charge les protocoles de communication Modbus RS485, Modbus RS232, Profibus DPV1 et HART. Le module de sortie numérique en option est installé à l'endroit indiqué par le numéro 4 [Figure 2](#) à la page 77 Reportez-vous aux instructions fournies avec le module de réseau pour plus d'informations.

### **Raccordement des conduites d'échantillon et de vidange**

Raccordez les conduites d'échantillon et de vidange aux raccords à l'arrière du panneau.

1. Raccordez la conduite d'échantillon au raccord de tube d'entrée (diamètre extérieur de 4/6 mm).
2. Raccordez une conduite de vidange au raccord de tube de vidange (diamètre extérieur de 6/8 mm). Réduisez autant que possible la longueur de la conduite de vidange à la pression atmosphérique.

## Installation des réactifs

### ▲ AVERTISSEMENT



Risque d'exposition chimique. Respectez les procédures de sécurité du laboratoire et portez tous les équipements de protection personnelle adaptés aux produits chimiques que vous manipulez. Consultez les fiches de données de sécurité (MSDS/SDS) à jour pour connaître les protocoles de sécurité applicables.

1. Remplissez la bouteille de conditionnement d'échantillon vide avec de la diisopropylamine (DIPA) et saisissez les informations de réactifs dangereux sur l'étiquette vierge attachée à la bouteille.
2. Installez la bouteille de conditionnement d'échantillon à l'avant de l'analyseur.
3. Raccordez le tube fourni à la cellule de mesure. Placez entièrement le tube dans la bouteille de solution de conditionnement. Assurez-vous que les raccords de tube sont bien étanches pour éviter toute fuite de vapeurs de la bouteille de conditionnement dans l'atmosphère.
4. Si la cartouche zéro chimique est utilisée, placez-la à l'arrière de l'analyseur.

## Démarrage

Assurez-vous que le débit et la pression ne dépassent pas les valeurs des [Spécifications](#) à la page 70.

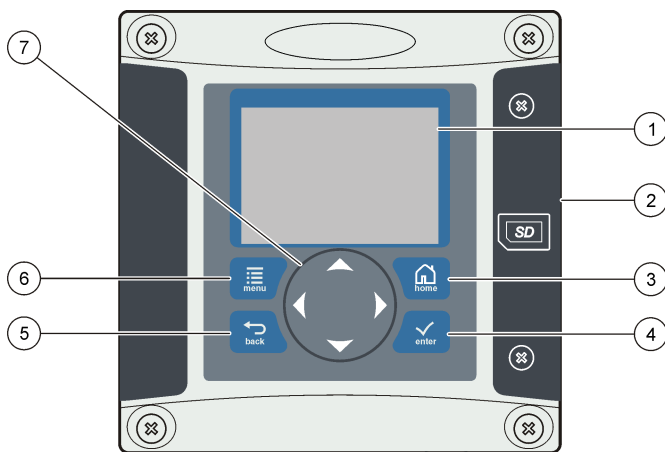
1. Ouvrez la vanne de la conduite d'échantillon pour laisser le flux d'échantillon s'écouler à travers l'analyseur.
2. Tournez le bouton du débitmètre pour régler le débit.
3. Vérifiez la plomberie à la recherche de fuites et, le cas échéant, colmatez les fuites.
4. Mettez le transmetteur sous tension.
5. Procédez aux sélections de menu applicables au démarrage du contrôleur.

## Interface utilisateur et navigation

### Interface utilisateur

Le clavier comporte quatre touches de menu et quatre touches directionnelles (voir [Figure 4](#)).

**Figure 4 Présentation du clavier et du panneau avant**



<p><b>1</b> Afficheur de l'instrument</p>	<p><b>5</b> Touche <b>BACK</b> (Retour). Remonte d'un niveau dans la structure du menu.</p>
<p><b>2</b> Capot recouvrant la fente d'insertion de la carte SD</p>	<p><b>6</b> Touche <b>MENU</b>. Permet d'accéder au menu Paramètres à partir des écrans et des sous-menus.</p>
<p><b>3</b> Touche <b>HOME</b> (Accueil). Permet d'accéder à l'écran de mesure principal à partir d'autres écrans ou sous-menus.</p>	<p><b>7</b> Touches directionnelles. Utilisées pour accéder aux menus, modifier des paramètres et incrémenter ou décrémenter des chiffres.</p>
<p><b>4</b> Touche <b>ENTER</b> (Entrée). Permet de valider les valeurs saisies, les mises à jour ou les options de menu affichées.</p>	

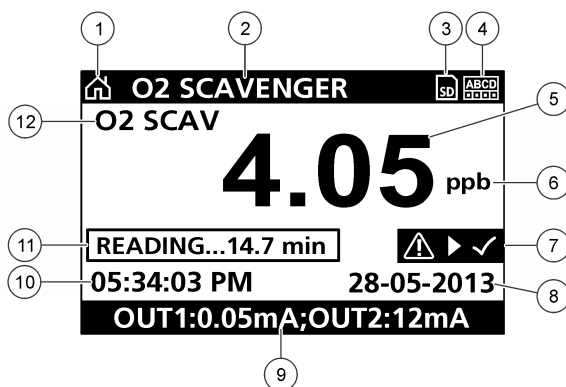
Les entrées et les sorties sont configurées via la face avant à l'aide du clavier et de l'écran d'affichage. Cette interface utilisateur est utilisée pour configurer les entrées et les sorties, consigner les informations et les valeurs calculées et étalonner les capteurs. L'interface SD peut être utilisée pour transférer des enregistrements et mettre à jour des logiciels.

## Affichage

La [Figure 5](#) présente l'écran de mesure principal lorsque le capteur est connecté au contrôleur.

L'écran du panneau avant comporte notamment les données de mesure du capteur, les paramètres d'étalonnage et de configuration, les erreurs et les avertissements.

**Figure 5 Exemple d'écran de mesure principal**



1 Icône de l'écran d'accueil	7 Barre d'état d'avertissement
2 Repère du capteur	8 Date
3 Icône de la carte mémoire SD	9 Valeurs de sortie analogique
4 Voyant d'état du relais	10 Heure
5 Valeur de mesure	11 Barre de progression
6 Unité de mesure	12 Paramètre de mesure

**Tableau 4 Description des icônes**

Icône	Désignation
Écran d'accueil	L'icône peut varier selon l'écran ou le menu affiché. Par exemple, si une carte SD est installée, une icône de carte SD apparaît ici lorsque l'utilisateur est dans le menu Configuration carte SD.
Carte mémoire SD	L'icône apparaît seulement si une carte SD est dans le lecteur. Lorsqu'un utilisateur se trouve dans le menu Configuration carte SD, cette icône apparaît dans l'angle supérieur gauche de l'écran.
Avertissement	Une icône d'avertissement se présente sous la forme d'un triangle contenant un point d'exclamation. Des icônes d'avertissement apparaissent à droite de l'écran principal au-dessous de la valeur de mesure. Appuyez sur le bouton <b>ENTREE</b> , puis sélectionnez l'appareil pour voir tout problème associé à celui-ci. L'icône d'avertissement ne s'affiche plus lorsque tous les problèmes ont été corrigés ou validés.
Erreur	Une icône d'erreur se présente sous la forme d'un cercle contenant un point d'exclamation. Lorsqu'une erreur se produit, l'icône d'erreur et l'écran de mesure clignotent alternativement sur l'écran principal. Pour voir les erreurs, appuyez sur le bouton <b>MENU</b> et sélectionnez <b>Diagnostics</b> . Sélectionner ensuite l'appareil pour voir les éventuels problèmes associés à cet appareil.

### Formats d'affichage supplémentaires

- A partir de l'écran de mesure principal, appuyez sur les touches fléchées **HAUT** et **BAS** pour alterner entre les paramètres de mesure.
- A partir de l'écran de mesure principal, appuyez sur la touche fléchée **DROITE** pour passer à un affichage partagé contenant un maximum de 4 paramètres de mesure. Appuyez sur la touche fléchée **DROITE** pour inclure des mesures supplémentaires. Appuyez sur la touche fléchée **GAUCHE** au besoin pour revenir à l'écran de mesure principal.
- A partir de l'écran de mesure principal, appuyez sur la touche fléchée **GAUCHE** pour passer à l'interface graphique (voir la section [Interface graphique](#) à la page 87 pour définir les

paramètres). Appuyez sur les touches fléchées **HAUT** et **BAS** pour alterner entre les graphiques de mesure.

## Interface graphique

Le graphique montre les mesures de concentration et de température pour chaque canal utilisé. Le graphique facilite la surveillance des tendances et affiche les modifications relatives au traitement.

1. A partir de l'écran d'interface graphique, utilisez les touches fléchées haut et bas pour sélectionner un graphique et appuyez sur le bouton **ACCUEIL**.
2. Sélectionner une option :

Option	Désignation
<b>VALEUR DE MESURE</b>	Permet de définir la valeur de mesure liée au canal sélectionné. Choisissez entre Echelle auto et Echelle manuelle. Pour la mise à l'échelle manuelle, saisissez les valeurs de mesure minimum et maximum
<b>PLAGE DATE ET HEURE</b>	Sélectionner la plage de date et d'heure parmi les options disponibles

## Fonctionnement

### Configuration du capteur

Utilisez le menu CONFIGURER pour saisir les informations d'identification du capteur et pour modifier les options de gestion et de stockage des données.

1. Appuyez sur la touche **menu** et sélectionnez CONFIG. CAPTEUR>CONFIGURER.
2. Utilisez les touches fléchées pour sélectionner une option et appuyez sur **entrée**. Pour saisir les numéros, les caractères ou la ponctuation, appuyez et maintenez enfoncé les touches fléchées **haut** ou **bas**. Appuyez sur la touche fléchée **droite** pour passer à l'espace suivant.

Option	Désignation
<b>EDITER NOM</b>	Modifie le nom correspondant au capteur en haut de l'écran de mesure. Le nom est limité à 16 caractères avec n'importe quelle combinaison de lettres, chiffres, espaces ou ponctuation.
<b>N/S CAPTEUR</b>	Permet à l'utilisateur d'entrer le numéro de série du capteur, limité à 16 caractères avec toutes combinaisons de lettres, chiffres, espaces ou ponctuations.
<b>UNITES MESURE</b>	Change les unités de la mesure — Sélectionnez l'unité dans la liste disponible.
<b>UNIT. TEMPER.</b>	Règle les unités de température en °C (par défaut) ou °F
<b>FILTRE</b>	Définit une constante de temps pour augmenter la stabilité du signal. La constante de temps calcule la valeur moyenne pendant une durée spécifiée — 0 (aucun effet, par défaut) à 60 secondes (moyenne de la valeur du signal sur 60 secondes). Le filtre augmente le temps de réponse du signal du capteur aux variations effectives du processus.
<b>LOG SETUP (PARAMETRAGE DU JOURNAL)</b>	Définit l'intervalle de stockage des données dans le journal — 5, 30 secondes, 1, 2, 5, 10, 15 (par défaut), 30, 60 minutes.
<b>RETABLIR DEFAULTS</b>	Rétablit le menu de configuration aux paramètres par défaut. Toutes les informations de capteur sont perdues.

# Étalonnage

## A propos de l'étalonnage de capteur

Les caractéristiques du capteur dérivent lentement au cours du temps et peuvent entraîner une inexactitude du capteur. Le capteur doit être étalonné régulièrement pour conserver son exactitude. La fréquence d'étalonnage dépend de l'application et le mieux est de la déterminer par l'expérience.

### Étalonnage température

Il est recommandé d'étalonner le capteur de température une fois par an. Étalonnez le capteur de température avant d'étalonner le capteur de mesure.

1. Mesurer la température de l'eau avec un thermomètre ou un instrument indépendant précis.
2. Appuyez sur la touche **menu** et sélectionnez CONFIG. CAPTEUR>ÉTALONNER.
3. Si le mot de passe est activé dans le menu sécurité du contrôleur, saisissez le mot de passe.
4. Sélectionnez ÉTAL. TEMP 1 PT et appuyez sur **entrée**.
5. La valeur de température brute est affichée. Appuyez sur **entrée**.
6. Saisissez la valeur correcte si elle est différente de celle qui est affichée et appuyez sur **entrée**.
7. Appuyez sur **entrée** pour confirmer l'étalonnage. Le décalage de température est affiché.

### Étalonnage du zéro

La valeur du zéro a été étalonnée en usine. Utilisez la procédure d'étalonnage du zéro pour définir le point zéro unique du capteur.

1. Si la concentration de l'échantillon est < 10 ppb, pour de meilleurs résultats il est recommandé d'utiliser la cartouche d'étalonnage du zéro en option (reportez-vous à [Pièces de rechange et accessoires](#) à la page 91) et de laisser le capteur en position. Dans le cas contraire, retirez le capteur du processus et rincez-le dans l'eau déminéralisée.
2. Appuyez sur la touche **menu** et sélectionnez CONFIG. CAPTEUR>ÉTALONNER.
3. Si le mot de passe est activé dans le menu sécurité du contrôleur, saisissez le mot de passe.
4. Sélectionnez ÉTAL. ZÉRO et appuyez sur **entrée**.
5. Sélectionnez l'option de sortie du signal pendant l'étalonnage :

Option	Désignation
ACTIVE	L'instrument envoie la valeur de sortie mesurée pendant la procédure d'étalonnage.
HOLD (Suspension)	La valeur de sortie du capteur est maintenue à la dernière valeur mesurée pendant la procédure d'étalonnage.
TRANSFER (Transfert)	Une valeur de sortie prédéfinie est envoyée pendant l'étalonnage. Consultez le manuel d'utilisation du transmetteur pour changer la valeur prédéfinie.

6. Si vous n'utilisez pas la cartouche d'étalonnage du zéro en option, placez le capteur propre dans une solution exempte d'hydrazine comme de l'eau ultra pure, puis appuyez sur **entrée**.
7. Attendez jusqu'à une heure pour que la valeur se stabilise, puis appuyez sur **entrée**.
8. Consultez le résultat d'étalonnage :
  - PASS — le capteur est étalonné et le décalage est affiché.
  - FAIL — l'étalonnage est en dehors des limites acceptées. Nettoyez le capteur et réessayez. Pour en savoir plus, reportez-vous à la section [Recherche de panne](#) à la page 90.
9. Si l'étalonnage a réussi, appuyez sur **entrée** pour continuer.
10. Si l'option pour l'identifiant opérateur est réglée sur OUI dans le menu OPTIONS ÉTAL., saisissez un identifiant opérateur. Voir [Modification des options d'étalonnage](#) à la page 90.



11. Sur l'écran NOUVEAU CAPTEUR, sélectionnez si le capteur est neuf :

Option	Désignation
OUI	Le capteur n'a pas été étalonné précédemment avec ce contrôleur. Le nombre de jours de fonctionnement et les courbes d'étalonnage précédentes pour le capteur sont remis à zéro.
NON	Le capteur a été étalonné précédemment avec ce contrôleur.

12. Si vous n'utilisez pas la cartouche d'étalonnage du zéro en option, remettez le capteur dans le processus et appuyez sur **entrée**. Le signal de sortie revient dans l'état actif et la valeur d'échantillon mesurée apparaît sur l'écran de mesure.  
*Remarque : Si le mode de sortie est sur maintien ou transfert, sélectionnez la temporisation lors du retour des sorties à l'état actif.*

## Étalonnage avec la solution de processus

Le capteur peut rester dans l'échantillon du processus.

- Appuyez sur la touche **menu** et sélectionnez CONFIG. CAPTEUR>ÉTALONNER.
- Si le mot de passe est activé dans le menu sécurité du contrôleur, saisissez le mot de passe.
- Sélectionnez ÉTAL. ÉCHANTILLON et appuyez sur **entrée**.
- Sélectionnez l'option de sortie du signal pendant l'étalonnage :

Option	Désignation
ACTIVE	L'instrument envoie la valeur de sortie mesurée pendant la procédure d'étalonnage.
HOLD (Suspension)	La valeur de sortie du capteur est maintenue à la dernière valeur mesurée pendant la procédure d'étalonnage.
TRANSFER (Transfert)	Une valeur de sortie prédéfinie est envoyée pendant l'étalonnage. Consultez le manuel d'utilisation du transmetteur pour changer la valeur prédéfinie.

- Avec le capteur dans l'échantillon de processus, appuyez sur **entrée**. La valeur mesurée apparaît. Attendez que la valeur se stabilise et appuyez sur **entrée**.
- Avec un instrument de vérification secondaire certifié, mesurez la valeur de concentration de l'échantillon. Pour éviter les impuretés dans l'échantillon, effectuez la mesure avant que l'échantillon n'entre dans la chambre de circulation. Utilisez les touches fléchées pour saisir cette valeur si elle est différente de la valeur affichée et appuyez sur **entrée**.
- Consultez le résultat d'étalonnage :
  - PASS — le capteur est étalonné et le facteur d'étalonnage est affiché.
  - FAIL — l'étalonnage est en dehors des limites acceptées. Nettoyez le capteur et réessayez. Pour en savoir plus, reportez-vous à la section [Recherche de panne](#) à la page 90.
- Si l'étalonnage a réussi, appuyez sur **entrée** pour continuer.
- Si l'option pour l'identifiant opérateur est réglée sur OUI dans le menu OPTIONS ÉTAL., saisissez un identifiant opérateur. Voir [Modification des options d'étalonnage](#) à la page 90.
- Sur l'écran NOUVEAU CAPTEUR, sélectionnez si le capteur est neuf :

Option	Désignation
OUI	Le capteur n'a pas été étalonné précédemment avec ce contrôleur. Le nombre de jours de fonctionnement et les courbes d'étalonnage précédentes pour le capteur sont remis à zéro.
NON	Le capteur a été étalonné précédemment avec ce contrôleur.

11. Avec le capteur encore dans le processus, appuyez sur **entrée**. Le signal de sortie revient dans l'état actif et la valeur d'échantillon mesurée apparaît sur l'écran de mesure.  
*Remarque : Si le mode de sortie est sur maintien ou transfert, sélectionnez la temporisation lors du retour des sorties à l'état actif.*

## Modification des options d'étalonnage

L'utilisateur peut définir un rappel d'étalonnage ou inclure un identifiant opérateur avec les données d'étalonnage à partir de ce menu.

1. Appuyez sur la touche **menu** et sélectionnez CONFIG. CAPTEUR>ÉTALONNER.
2. Si le mot de passe est activé dans le menu sécurité du contrôleur, saisissez le mot de passe.
3. Sélectionnez OPTIONS ÉTAL. et appuyez sur **entrée**.
4. Utilisez les touches fléchées pour sélectionner une option et appuyez sur **entrée**.

Option	Désignation
RAPPEL ETAL	Définit un rappel pour le prochain étalonnage en jours, mois ou années — sélectionnez le délai requis dans la liste.
ID OP SUR ÉTAL	Inclut un identifiant opérateur avec les données d'étalonnage — OUI ou NON (par défaut). L'identifiant est saisi pendant l'étalonnage.

## Entretien

### ▲ DANGER

Dangers multiples. Seul le personnel qualifié doit effectuer les tâches détaillées dans cette section du document.

## Nettoyage et décontamination

### ▲ DANGER

Coupez toujours l'alimentation du transmetteur avant de procéder à toute opération de maintenance.

Généralement, l'analyseur n'a besoin d'aucun nettoyage ni décontamination. Si nécessaire, nettoyez l'extérieur de l'instrument avec un chiffon humide et une solution savonneuse douce. N'utilisez jamais de produits de nettoyage comme la térébenthine, l'acétone ou des produits similaires pour nettoyer l'instrument, y compris l'écran et les accessoires.

## Recherche de panne

### Liste d'avertissements

Une icône d'avertissement se présente sous la forme d'un triangle comprenant un point d'exclamation. Des icônes d'avertissement apparaissent à droite de l'écran principal au-dessous de la valeur de mesure. Un avertissement n'affecte pas le fonctionnement des menus, relais et sorties. Pour voir les avertissements, appuyez sur la touche **menu** et sélectionnez DIAGNOSTICS. Sélectionner ensuite l'appareil pour voir les éventuels problèmes associés à cet appareil. L'icône d'avertissement ne s'affiche plus lorsque le problème a été corrigé ou validé.

La liste des avertissements possibles est présentée dans le [Tableau 5](#).

**Tableau 5 Liste d'avertissements pour les capteurs de fixation d'oxygène**

Avertissement	Désignation	Résolution
O2 SCAVENGER TROP HAUT	La valeur mesurée est > 10000 ppm	Assurez-vous que le niveau de fixateur d'oxygène (hydrazine ou carbohydrazine) dans l'eau du processus se trouve dans les limites de fonctionnement du capteur. Étalonnez ou remplacez le capteur.
O2 SCAVENGER TROP BAS	La valeur mesurée est < 0 ppm	Étalonnez ou remplacez le capteur.
TEMP TROP HAUTE	La température mesurée est > 50 °C	Réduire la température de l'échantillon.

**Tableau 5 Liste d'avertissements pour les capteurs de fixation d'oxygène (suite)**

Avertissement	Désignation	Résolution
TEMP TROP BASSE	La température mesurée est < 0 °C	Augmenter la température de l'échantillon.
COURANT TROP ELEVE	Le courant mesuré est > 200 mA	Assurez-vous que le niveau de fixateur d'oxygène (hydrazine ou carbohydrazine) dans l'eau du processus se trouve dans les limites de fonctionnement du capteur. Étalonner ou remplacer le capteur.
COURANT TROP FAIBLE	Le courant mesuré est < -0,5 mA	Étalonner ou remplacer le capteur.
RETARD ETAL	Le délai de rappel d'étalonnage est écoulé	Étalonner le capteur.
REPL. CAPTEUR	Le capteur a fonctionné > 365 jours	Remplacer la cartouche du capteur et étalonner le capteur. Si le résultat d'étalonnage est Réussite, réinitialiser le nombre de jours de membrane dans le menu DIAG/TEST.
NON ETALONNE	Le capteur n'a pas été étalonné.	Étalonner le capteur.
ETAL EN COURS	Un étalonnage a été commencé mais n'a pas été achevé	Revenir à l'étalonnage.

## Pièces de rechange et accessoires

Reportez-vous à la section des pièces de rechange et accessoires de la documentation du contrôleur pour connaître les pièces de rechange et les accessoires.

**Remarque :** Les numéros de référence de produit et d'article peuvent dépendre des régions de commercialisation. Prenez contact avec le distributeur approprié ou consultez le site web de la société pour connaître les personnes à contacter.

### Kit de pièces de rechange pour 2 ans - 09186=A=8000

Désignation	Quantité	Article n°
Filtre	6	363877,06000
Électrode de référence	1	368429,00000
Buse d'injection Venturi	1	359090,00024
Joint torique pour buse d'injection Venturi	1	356099,05090
Perles de nettoyage en plastique	7	588801,75008
Tube en PE 4 × 6 mm	2 mètres	151575,00006

### Cellule de mesure

Désignation	Article n°
Cellule de mesure	09186=A=0100
Électrode de référence	368429,00000
Électrode de travail	09186=A=0300
Raccord coudé d'entrée G1/8 DN 4/6	359103,10070
Raccord de sortie G1/8 DN6/8	359103,10055
Bouchon NPT1/8	431=201=018

## Cellule de mesure (suite)

Désignation	Article n°
Bouteille de conditionnement avec équipement	09186=A=0200
Bouteille en verre marron	490=010=011
Cartouche poreuse	09073=C=0340
Raccord G1/8 DN4/6	359103,10065
Contrôleur de débit équipé	09186=A=0400
Raccord d'entrée G1/4 DN4/6	587=006=002
Raccord coudé court G1/4 DN4/6	359103,10072
Raccord coudé long G1/4 DN4/6	587=906=002
Débitmètre	694=000=001
Raccord coudé NPT1/8 DN4/6	359103,10170

## Accessoires

Désignation	Article n°
Cartouche pour étalonnage du zéro chimique	09186=A=0600

## Tabla de contenidos

[Especificaciones](#) en la página 93

[Información general](#) en la página 95

[Instalación](#) en la página 97

[Inicio](#) en la página 107

[Interfaz del usuario y navegación](#) en la página 107

[Funcionamiento](#) en la página 110

[Mantenimiento](#) en la página 113

[Solución de problemas](#) en la página 113

[Piezas de repuesto y accesorios](#) en la página 114

## Versión ampliada del manual

Para obtener más información, consulte la versión expandida de este manual de usuario que se encuentra disponible en el sitio web del fabricante.

## Especificaciones

Las especificaciones están sujetas a cambios sin previo aviso.


### Panel

Especificación	Detalles
Dimensiones	817 x 300 x 140 mm (32.2 x 11.8 x 5.5 pulg)
Peso	14.6 kg (32.15 libras)
Caudal del flujo de muestras	10—15 litros/hora
Presión de funcionamiento	0.5—6 bares (7—87 psi)
Temperatura ambiente	0—60 °C (-32—140 °F)
Humedad relativa	10—90%
Electrodo de trabajo	Platino
Contraelectrodo	Acero inoxidable
Referencia	Ag / AgCl / KCl 0.1 M
Celda de medición	Acrílico
Acondicionador de muestra	DIPA (diisopropilamina)
Normas europeas	EN 61326 Clase A para EMC; EN 601010-1 para seguridad de baja tensión
Normas internacionales	cETLus

### Sensor

Especificación	Detalles
Intervalo de medición	0—500 ppb hidracina; 0—100 ppb carbohidrazida
Sensibilidad	< 0.2 ppb
Repetibilidad	1 ppb o $\pm$ 2% de medición, el valor que sea superior
Límite de detección	$\leq$ 1 ppb
Tiempo de respuesta	< 60 segundos
Intervalo de medición de temperatura de la muestra	5—45 °C (41—113 °F)

## Controlador

Especificación	Detalles
Descripción del componente	Controlador gestionado por menús y controlado por un microprocesador que permite el funcionamiento del sensor y muestra los valores medidos.
Temperatura de funcionamiento	-20 - 60 °C (-4 - 140 °F); 95% de humedad relativa, sin condensación con carga del sensor inferior a 7 W; -20 - 50 °C (-4 - 104 °F) con carga del sensor inferior a 28 W
Temperatura de almacenamiento	-20 - 70 °C (-4 - 158 °F); 95% de humedad relativa, sin condensación
Carcasa <sup>1</sup>	Carcasa de metal NEMA 4X/IP66 con acabado resistente a la corrosión
Requisitos de energía eléctrica	<b>Controlador con alimentación CA:</b> 100-240 VAC ± 10%, 50/60 Hz; alimentación de 50 VA con carga de módulo de red/sensor de 7 W, 100 VA con carga de módulo de red/sensor de 28 W (conexión de red opcional Modbus RS232/RS485, Profibus DPV1 o HART).
	<b>Controlador con alimentación de 24 VDC:</b> 24 VDC—15%, + 20%; alimentación de 15 V con carga de módulo de red/sensor de 7 W, 40 W con carga de módulo de red/sensor de 28 W (conexión de red opcional Modbus RS232/RS485, Profibus DPV1 o HART).
Requerimientos de altitud	Estándar de 2.000 m (6.562 pies) sobre el nivel del mar
Grado de contaminación / Categoría de instalación	Grado de polución 2; Categoría de instalación II
Salidas	Dos salidas analógicas (0-20 mA o 4-20 mA). Todas las salidas analógicas pueden asignarse para representar un parámetro medido, por ejemplo pH, temperatura, caudal o valores calculados. El módulo opcional proporciona tres salidas analógicas adicionales (5 en total).
Relés	Cuatro contactos SPDT configurados por el usuario, limitados a 250 VAC, 5A (carga resistiva) para el controlador de alimentación CA y a 24 VDC, 5 A (carga resistiva) con alimentación CC. Los relés están diseñados para la conexión a circuitos de alimentación CA (cuando el controlador funciona con alimentación 115 - 240 VAC) o circuitos CC (cuando el controlador funciona con alimentación 24 VDC).
Dimensiones	Según ½ DIN: 144 x 144 x 180,9 mm (5,7 x 5,7 x 7,12 pulg.)
Peso	1.7 kg (3.75 libras)
Requisitos EMC	EN61326-1: Directiva EMC <b>Nota:</b> Este es un producto de clase A. En un entorno doméstico, el producto puede provocar interferencias radioeléctricas, en cuyo caso puede que el usuario deba adoptar las medidas oportunas.
 Korean registration	<b>User Guidance for EMC Class A Equipment</b> 업무용을 위한 EMC 등급 A 장치에 대한 사용자 지침 사용자안내문 A 급 기기 ( 업무용 방송통신기자재 ) 이 기기는 업무용 (A 급) 전자파적합기기로서 판매자 또는 사용자는 이 점을 주의하시기 바라며, 가정외의 지역에서 사용하는 것을 목적으로 합니다.
Conformidad CE	EN61010-1: Directiva de baja tensión
Comunicación digital	Conexión de red Modbus, RS232/RS485, Profibus DPV1 o HART opcional para la transmisión de datos

<sup>1</sup> Las unidades con certificación de Underwriters Laboratories (UL) están destinadas únicamente para su uso en interiores y no cuentan con la clasificación NEMA 4X/IP66.

Especificación	Detalles
Registro de datos	Tarjeta Secure Digital (32 GB como máximo) o conector de cable RS232 especial para la conexión de datos y actualizaciones de software. El controlador conservará aproximadamente 20.000 entradas de datos por sensor.
Garantía	2 años

## Información general

En ningún caso el fabricante será responsable de ningún daño directo, indirecto, especial, accidental o resultante de un defecto u omisión en este manual. El fabricante se reserva el derecho a modificar este manual y los productos que describen en cualquier momento, sin aviso ni obligación. Las ediciones revisadas se encuentran en la página web del fabricante.

## Información de seguridad

### AVISO

El fabricante no es responsable de ningún daño debido a un mal uso de este producto incluyendo, sin limitación, daños directos, fortuitos o circunstanciales y reclamaciones sobre los daños que no estén recogidos en la legislación vigente. El usuario es el responsable de la identificación de los riesgos críticos y de tener los mecanismos adecuados de protección de los procesos en caso de un posible mal funcionamiento del equipo.

Lea todo el manual antes de desembalar, instalar o trabajar con este equipo. Ponga atención a todas las advertencias y avisos de peligro. El no hacerlo puede provocar heridas graves al usuario o daños al equipo.

Asegúrese de que la protección proporcionada por el equipo no está dañada. No utilice ni instale este equipo de manera distinta a lo especificado en este manual.

### Uso de la información sobre riesgos

#### ▲ PELIGRO

Indica una situación potencial o de riesgo inminente que, de no evitarse, provocará la muerte o lesiones graves.

#### ▲ ADVERTENCIA

Indica una situación potencial o inminentemente peligrosa que, de no evitarse, podría provocar la muerte o lesiones graves.

#### ▲ PRECAUCIÓN



Indica una situación potencialmente peligrosa que podría provocar una lesión menor o moderada.






### AVISO

Indica una situación que, si no se evita, puede provocar daños en el instrumento. Información que requiere especial énfasis.

### Etiquetas de precaución

Lea todas las etiquetas y rótulos adheridos al instrumento. En caso contrario, podrían producirse heridas personales o daños en el instrumento. El símbolo que aparezca en el instrumento se comentará en el manual con una declaración de precaución.

	Este es un símbolo de alerta de seguridad. Obedezca todos los mensajes de seguridad que se muestran junto con este símbolo para evitar posibles lesiones. Si se encuentran sobre el instrumento, consulte el manual de instrucciones para obtener información de funcionamiento o seguridad.
	Este símbolo indica que hay riesgo de descarga eléctrica y/o electrocución.

	Este símbolo indica la presencia de dispositivos susceptibles a descargas electrostáticas. Asimismo, indica que se debe tener cuidado para evitar que el equipo sufra daño.
	Este símbolo, cuando aparece en un producto, indica que el instrumento está conectado a corriente alterna.
	En Europa, el equipo eléctrico marcado con este símbolo no se debe desechar mediante el servicio de recogida de basura doméstica o pública. Devuelva los equipos viejos o que hayan alcanzado el término de su vida útil al fabricante para su eliminación sin cargo para el usuario.
	Los productos marcados con este símbolo contienen sustancias o elementos tóxicos o peligrosos. El número dentro del símbolo especifica el período de uso con protección medioambiental en años.
	Los productos marcados con este símbolo son productos que cumplen las normas EMC (compatibilidad electromagnética) de Corea del Sur relevantes.

## Certificación

### Reglamentación canadiense sobre equipos que provocan interferencia, IECS-003, Clase A

Registros de pruebas de control del fabricante.

Este aparato digital de clase A cumple con todos los requerimientos de las reglamentaciones canadienses para equipos que producen interferencias.

### FCC Parte 15, Límites Clase "A"

Registros de pruebas de control del fabricante. Este dispositivo cumple con la Parte 15 de las normas de la FCC estadounidense. Su operación está sujeta a las siguientes dos condiciones:

1. El equipo no puede causar interferencias perjudiciales.
2. Este equipo debe aceptar cualquier interferencia recibida, incluyendo las interferencias que pueden causar un funcionamiento no deseado.

Los cambios o modificaciones a este equipo que no hayan sido aprobados por la parte responsable podrían anular el permiso del usuario para operar el equipo. Este equipo ha sido probado y encontrado que cumple con los límites para un dispositivo digital Clase A, de acuerdo con la Parte 15 de las Reglas FCC. El objetivo de estos límites es ofrecer una protección razonable frente a interferencias dañinas cuando el equipo se utiliza en un entorno comercial. Este equipo genera, utiliza y puede irradiar energía de radio frecuencia, y si no es instalado y utilizado de acuerdo con el manual de instrucciones, puede causar una interferencia dañina a las radio comunicaciones. La operación de este equipo en un área residencial es probable que produzca interferencia dañina, en cuyo caso el usuario será requerido para corregir la interferencia bajo su propio cargo. Pueden utilizarse las siguientes técnicas para reducir los problemas de interferencia:

1. Desconecte el equipo de su fuente de alimentación para verificar si éste es o no la fuente de la interferencia.
2. Si el equipo está conectado a la misma toma eléctrica que el dispositivo que experimenta la interferencia, conecte el equipo a otra toma eléctrica.
3. Aleje el equipo del dispositivo que está recibiendo la interferencia.
4. Cambie la posición de la antena del dispositivo que recibe la interferencia.
5. Trate combinaciones de las opciones descritas.

## Componentes del producto

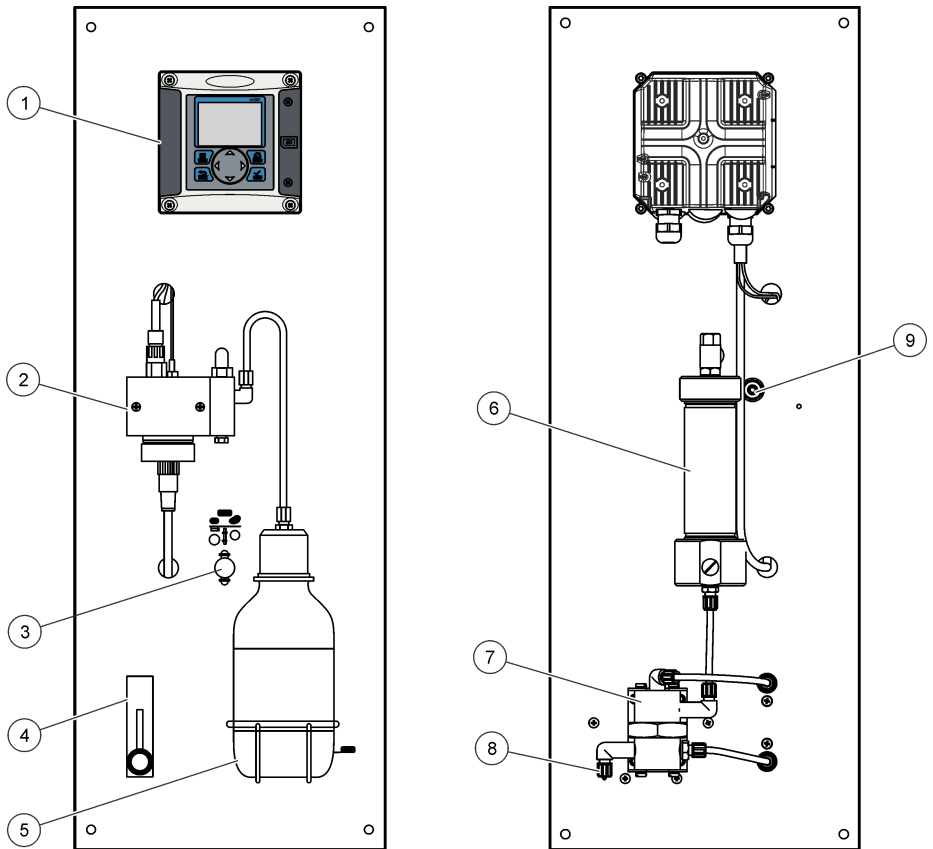
Asegúrese de haber recibido todos los componentes. Si faltan artículos o están dañados, póngase en contacto con el fabricante o el representante de ventas inmediatamente.



## Descripción general del producto

El analizador se ha diseñado para medir de forma continuada la cantidad de eliminadores de oxígeno (hidracina o carbohidrazida) en el agua.

Figura 1 Vista frontal y posterior



1 Controlador	6 Cartucho de calibración a cero química (opción)
2 Celda de medición	7 Regulador de presión
3 Activación/desactivación de calibración a cero química (opción)	8 Entrada de muestra, tubo de 4/6 mm
4 Medidor de flujo	9 Drenaje de muestra, tubo de 6/8 mm, presión atmosférica
5 Frasco de acondicionamiento de muestra (DIPA)	

## Instalación

### ⚠ PRECAUCIÓN



Peligros diversos. Sólo el personal cualificado debe realizar las tareas descritas en esta sección del documento.

## Montaje del analizador

### ▲ PRECAUCIÓN

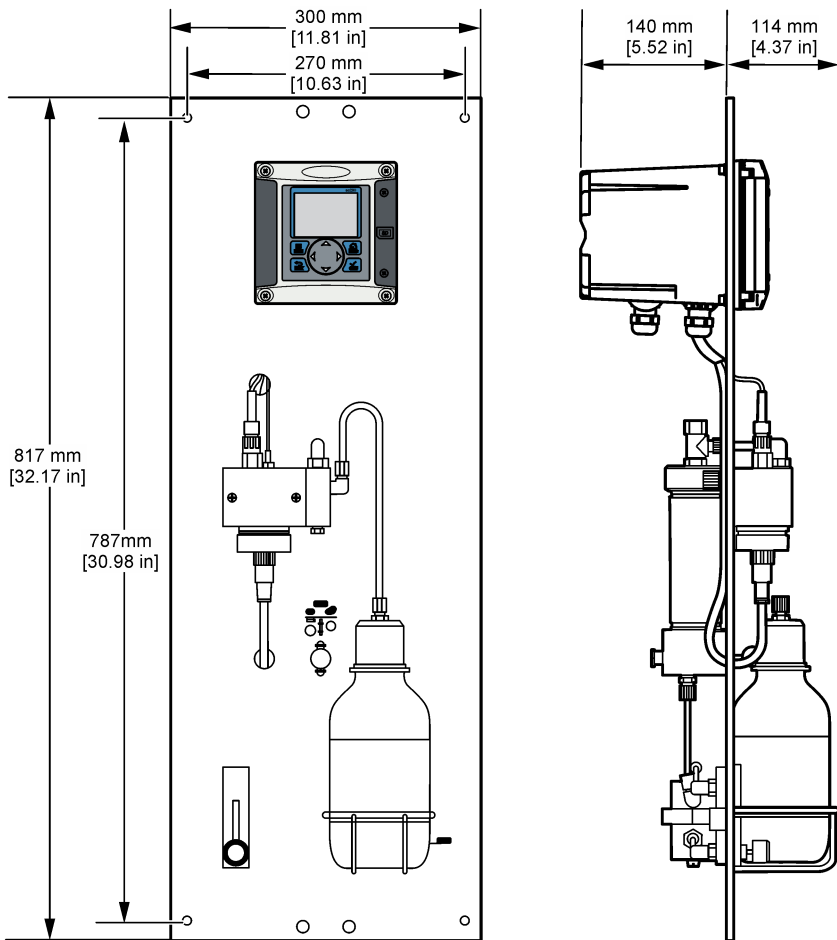
Peligro de lesión personal. Los instrumentos o los componentes son pesados. Pida ayuda para instalarlos o moverlos. Asegúrese de que el soporte de pared puede soportar un peso 4 veces superior al del equipo.

### AVISO

El analizador debe estar alineado verticalmente para garantizar la precisión.

Fije el analizador a una superficie vertical y estable. Utilice un nivel para garantizar que el analizador está completamente vertical. Consulte las directrices que se recogen a continuación.

- Coloque el instrumento en un lugar que permita el acceso para la operación, el servicio y la calibración.
- Asegúrese de que la visibilidad de la pantalla y de los controles es buena.
- Mantenga el instrumento alejado de fuentes de calor.
- Mantenga el instrumento alejado de vibraciones.
- Mantenga la tubería de muestra tan corta como sea posible para minimizar el tiempo de respuesta.
- Asegúrese de que no queda aire en la línea de alimentación de muestra.

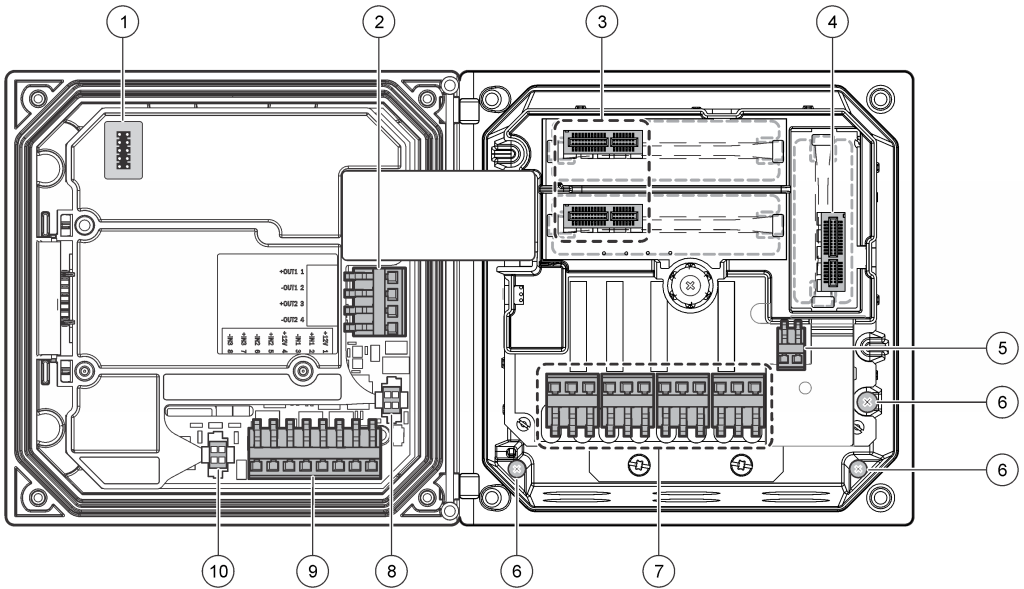


## Descripción general del cableado

En [Figura 2](#) se muestra una descripción general de las conexiones de cableado del interior del controlador sin la barrera de alto voltaje. En la parte izquierda de la figura se muestra la parte posterior de la cubierta del controlador.

**Nota:** Retire los tapones del controlador de los conectores antes de la instalación del módulo.

Figura 2 Descripción general de las conexiones de cableado



1 Conexión del cable de servicio	5 Conector de alimentación CA y CC <sup>2</sup>	9 Conector de cableado de entrada discreta <sup>2</sup>
2 Salida de 4-20 mA <sup>2</sup>	6 Terminales de toma de tierra	10 Conector de sensor digital <sup>2</sup>
3 Conector del módulo de sensor	7 Conexiones de relé <sup>2</sup>	
4 Conector del módulo de comunicación (p. ej., Modbus, Profibus, HART, módulo de 4-20 mA opcional, etc.)	8 Conector de sensor digital <sup>2</sup>	

### Barrera de alto voltaje

El cableado de alto voltaje para el controlador se encuentra detrás de la barrera de alto voltaje en la carcasa del controlador. La barrera debe permanecer en su lugar excepto durante la instalación de módulos o cuando un técnico de instalación cualificado esté realizando el cableado de alimentación, alarmas, salidas o relés. No retire la barrera al conectar la alimentación al controlador.

### Cableado para la conexión

#### ⚠ ADVERTENCIA



Possible peligro de electrocución. Desconecte siempre el instrumento del suministro eléctrico antes de realizar conexiones eléctricas.

#### ⚠ ADVERTENCIA



Possible peligro de electrocución. Si este equipo se utiliza en exteriores o en lugares potencialmente húmedos, debe usarse un **interruptor de fallo a tierra** para conectar el equipo a la alimentación eléctrica.

<sup>2</sup> Los terminales se pueden retirar para mejorar el acceso.

## ⚠ PELIGRO



Peligro de electrocución. No conecte la alimentación de CA a un modelo con alimentación de 24 VCC.

## ⚠ ADVERTENCIA



Posible peligro de electrocución. Se requiere una conexión a tierra de protección tanto para aplicaciones de cableado de 100-240 VCA como de 24 VCC. La falta de una correcta conexión a tierra de protección puede conllevar peligro de descarga eléctrica y mal funcionamiento debido a interferencias electromagnéticas. Haga SIEMPRE una buena conexión a tierra de protección a la terminal del controlador.

## AVISO

Instale el dispositivo en un lugar y una posición que facilite el acceso al dispositivo de desconexión y su operación.

Puede adquirir un modelo de controlador con alimentación 100-240 VAC o alimentación 24 VDC. Siga las instrucciones de cableado adecuadas para el modelo adquirido.

El controlador se puede conectar a una línea de alimentación a través de un conducto de conexión física o de un cable de alimentación. Independientemente del tipo de conexión utilizado, las conexiones se realizan a los mismos terminales. Se necesita una desconexión local diseñada para cumplir con el código eléctrico local y debe identificarse para todos los tipos de instalación. En aplicaciones de conexión física, las caídas del servicio de tierra de seguridad y electricidad para el instrumento deben ser de 18 a 12 AWG. Asegúrese de que el aislamiento del cableado de campo es apto como mínimo para 80 °C (176 °F).

### Notas:

- La barrera de voltaje se debe retirar antes de realizar cualquier conexión eléctrica. Una vez realizadas todas las conexiones, vuelva a colocar la barrera de voltaje antes de cerrar la cubierta del controlador.
- Para mantener las especificaciones ambientales de NEMA 4X/IP66, se pueden utilizar clemas de sellado y un cable de alimentación de menos de 3 metros (10 pies) con conductores de 18 hilos (incluido un cable de tierra de seguridad).
- Los controladores se pueden pedir con cables de alimentación CA preinstalados. También se pueden pedir cables de alimentación adicionales.
- La fuente de alimentación CC que suministra alimentación al controlador de 24 VDC debe mantener la regulación de voltaje dentro de los límites de voltaje especificados de 24 VDC - 15% + 20%. La fuente de alimentación CC debe proporcionar también la protección adecuada frente a subidas de tensión e irregularidades de la línea.

### Procedimiento de cableado

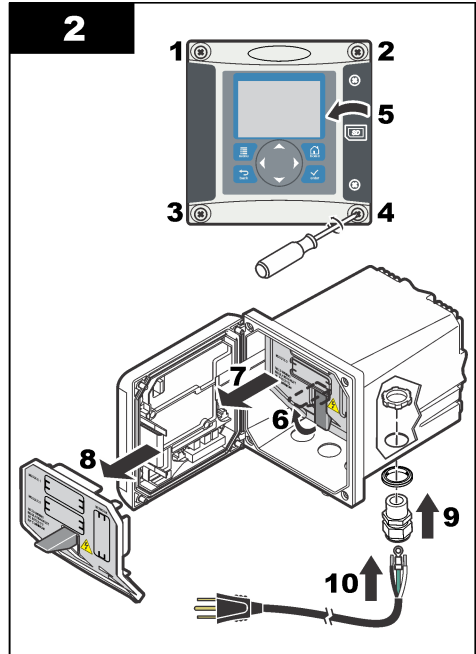
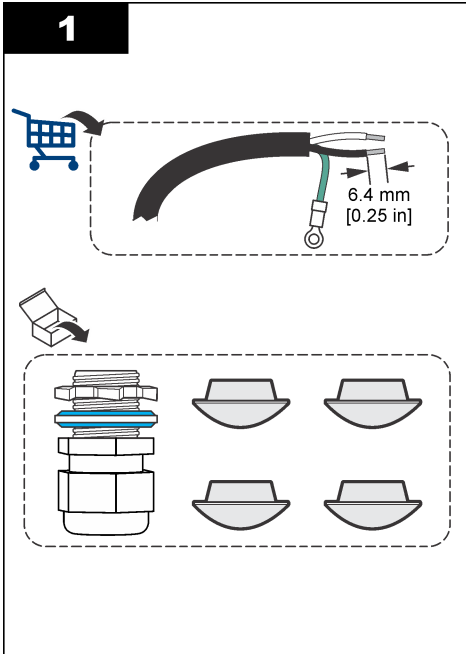
Consulte los pasos ilustrados que se incluyen en la [Tabla 1](#) o [Tabla 2](#) para conectar el controlador a la alimentación. Inserte cada cable en el terminal adecuado hasta que el conector esté totalmente aislado sin ningún cable pelado expuesto. Tire suavemente después de realizar la conexión para garantizar que es segura. Selle cualquier apertura no usada en la caja del controlador con tapones de sellado de apertura de conducto.

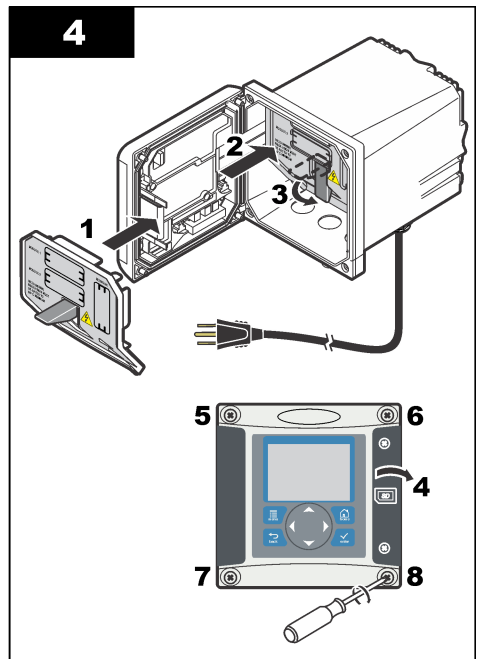
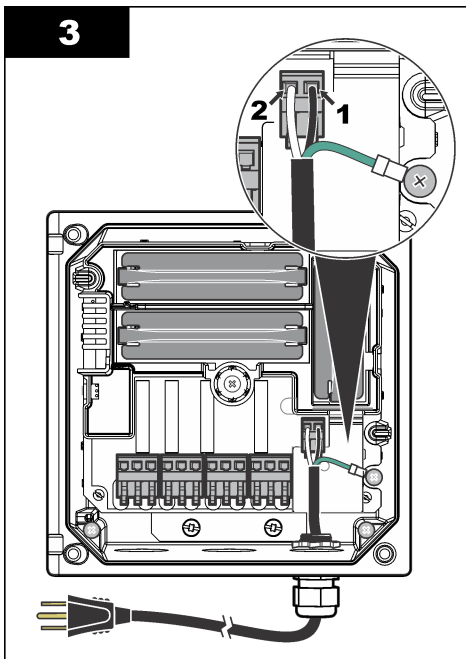
**Tabla 1 Información de cableado de energía CA (solo modelos con CA)**

Terminal	Descripción	Color (Norteamérica)	Color: UE
1	Fase (L1)	Negro	Marrón
2	Neutral (N)	Blanco	Azul
—	Terminal con toma de tierra de protección	Verde	Verde y amarillo

**Tabla 2 Información de cableado de alimentación CC (sólo módulos con alimentación CC)**

Terminal	Descripción	Color: Norteamérica	Color: UE
1	+24 VDC	Rojo	Rojo
2	Retorno de 24 VDC	Negro	Negro
—	Terminal con toma de tierra de protección	Verde	Verde y amarillo





### Alarmas y relés

El controlador está equipado con cuatro relés normalmente cerrados de un solo polo (contacto seco) limitados a 100-250 VAC, 50/60 Hz y 5A (carga resistiva). Los contactos están limitados a 250 VAC, 5A (carga resistiva) para el controlador de alimentación CA y a 24 V CC, 5A (carga resistiva) con alimentación CC. Los relés no tienen ninguna limitación para las cargas inductivas.

### Cableado de relés

<b>⚠ ADVERTENCIA</b>	
	Posible peligro de electrocución. Desconecte siempre el instrumento del suministro eléctrico antes de realizar conexiones eléctricas.
<b>⚠ ADVERTENCIA</b>	
	Posible peligro de fuego. Los contactos de relé están limitados a 5 A y no tienen fusibles. Las cargas externas conectadas a los relés deben tener dispositivos de limitación de corriente para limitarla a < 5 A.
<b>⚠ ADVERTENCIA</b>	
	Posible peligro de fuego. No conecte entre sí las conexiones comunes de relé o coloque un puente a las conexiones de alimentación en el interior del instrumento.
<b>⚠ ADVERTENCIA</b>	
	Posible peligro de electrocución. Para mantener las clasificaciones ambientales NEMA/IP de la carcasa, utilice solo conexiones de conductos y prensacables que cumplan como mínimo con el estándar NEMA 4X/IP66 para introducir los cables en el instrumento.

### Controladores con alimentación de línea CA (100—250 V)

## ⚠ ADVERTENCIA



Posible peligro de electrocución. Los controladores con alimentación CA (115 V–230 V) están diseñados para la conexión de relés a circuitos de alimentación CA (es decir, voltajes superiores a 16 V-RMS, 22,6 V-PEAK o 35 VDC).

El compartimento de cableado no está diseñado para conexiones con voltaje superior a 250 VAC.

### Controladores con alimentación 24 VDC

## ⚠ ADVERTENCIA



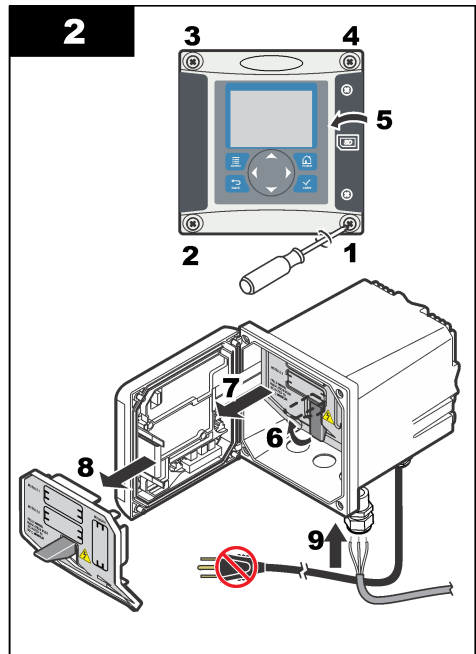
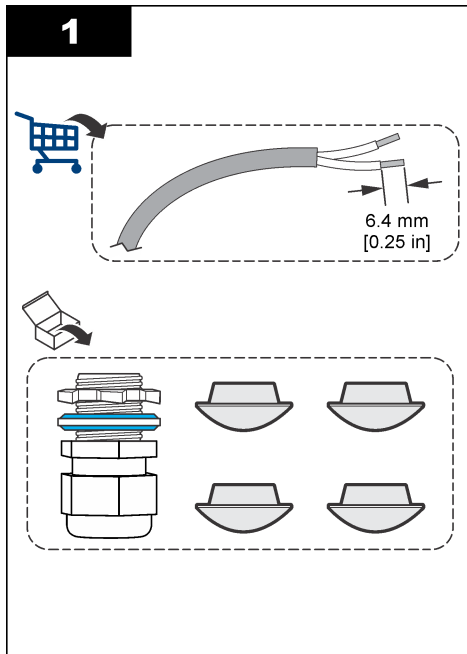
Posible peligro de electrocución. Los controladores con alimentación de 24 V están diseñados para la conexión de relés a circuitos de bajo voltaje (es decir, voltajes inferiores a 16 V-RMS, 22,6 V-PEAK o 35 VDC).

Los relés de controladores de 24 VDC están diseñados para su conexión a circuitos de bajo voltaje (es decir, voltajes inferiores a 30 V-RMS, 42,2 V-PEAK o 60 VDC). El compartimento de cableado no está diseñado para conexiones con voltaje superior a estos niveles.

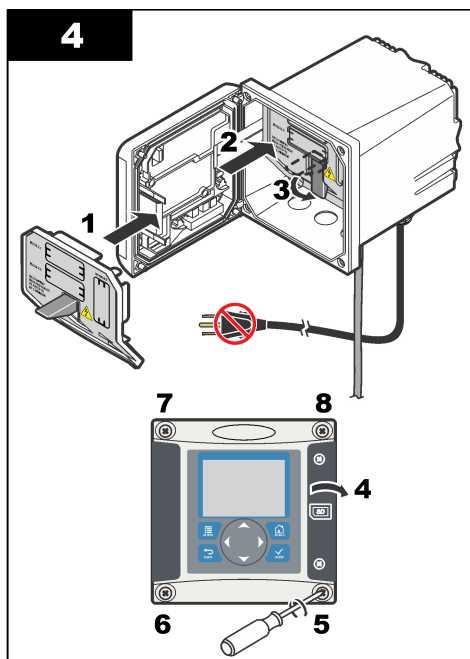
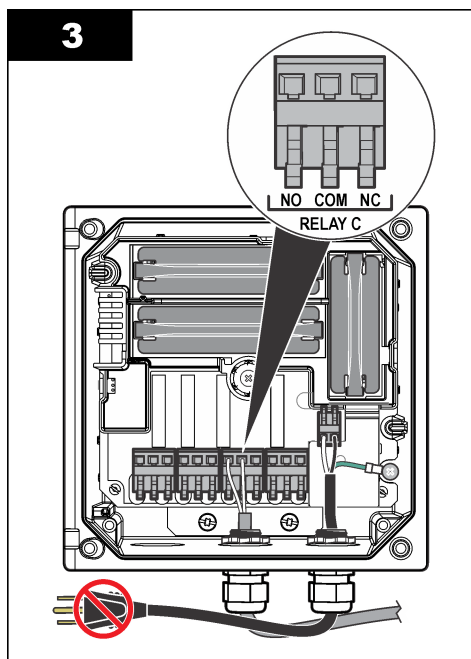
El conector de relé acepta un cable de 18 a 12 AWG (según lo determinado por aplicación de carga). No se recomienda la utilización de cables con calibre menor a 18 AWG. Asegúrese de que el aislamiento del cableado de campo es apto como mínimo para 80 °C (176 °F).

Los contactos de relé normalmente abiertos (NA) y comunes (COM) se conectan cuando se activa una alarma u otra condición. Los contactos de relé Normalmente abierto (NO) y Comunes (COM) se conectarán cuando haya una condición de alarma o de otro tipo inactiva (a menos que Fail Safe (A PRUEBA DE ERRORES) esté configurado como Sí) o cuando se desconecta la alimentación del controlador.

La mayoría de las conexiones de relé utilizan los terminales NO y COM o NC y COM. Los pasos de instalación numerados muestran la conexión de terminales NO y COM.







### Conexiones de salida analógica

#### ⚠ ADVERTENCIA



Posible peligro de electrocución. Desconecte siempre el instrumento del suministro eléctrico antes de realizar conexiones eléctricas.

#### ⚠ ADVERTENCIA



Posible peligro de electrocución. Para mantener las clasificaciones ambientales NEMA/IP de la carcasa, utilice solo conexiones de conductos y prensacables que cumplan como mínimo con el estándar NEMA 4X/IP66 para introducir los cables en el instrumento.

Se proporcionan dos salidas analógicas aisladas (1 y 2) (Figura 3). Estas salidas se suelen utilizar para la emisión de señales analógicas o para controlar otros dispositivos externos.

Realice las conexiones de cableado como se muestra en Figura 3 y Tabla 3.

**Nota:** Figura 3 muestra la parte posterior de la cubierta del controlador y no el interior del compartimento principal del controlador.

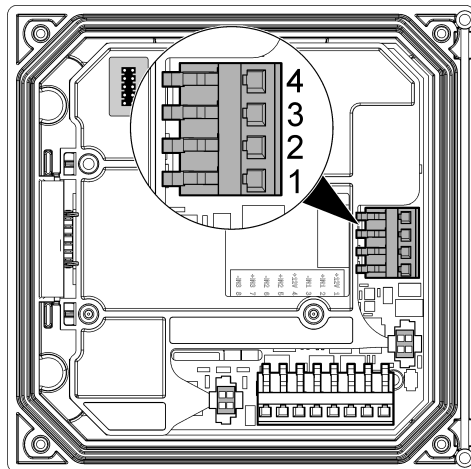
Tabla 3 Conexiones de salida

Cables del registrador	Posición de la placa de circuito
Salida 2-	4
Salida 2+	3
Salida 1-	2
Salida 1+	1

1. Abra la cubierta del controlador.
2. Introduzca los cables en las clemas.
3. Ajuste el cable según sea necesario y fije las clemas.

4. Realice las conexiones con cable blindado de par trenzado y conecte la protección al extremo del componente controlado y en el extremo del bucle de control.
  - No conecte la protección a ambos extremos del cable.
  - La utilización de cable no blindado puede causar emisiones de radiofrecuencia o niveles de sensibilidad mayores a lo permitido.
  - La resistencia máxima del bucle es de 500 ohmios.
5. Cierre la cubierta del controlador y apriete los tornillos de la misma.
6. Configure las salidas en el controlador.

**Figura 3 Conexiones de salida analógica**



### **Conexión de la salida de comunicación digital opcional**

El fabricante admite los protocolos de comunicación Modbus RS485, Modbus RS232, Profibus DPV1 y HART. El módulo de salida digital opcional se debe instalar en la ubicación indicada en el punto 4 de la [Figura 2](#) en la página 100. Para obtener más información, consulte las instrucciones suministradas con el módulo de red.

### **Conexión de los tubos de drenaje y de muestra**

Conecte la muestra y los tubos de drenaje en las tomas de la parte posterior del panel.

1. Conecte la línea de muestra en la toma del tubo de entrada de diámetro exterior de 4/6 mm.
2. Conecte el tubo de drenaje a la toma del tubo de drenaje de diámetro exterior de 6/8 mm. Mantenga el tubo de drenaje lo más corto posible a presión atmosférica.

## Instalación de los reactivos

### ▲ ADVERTENCIA



Peligro por exposición a productos químicos. Respete los procedimientos de seguridad del laboratorio y utilice el equipo de protección personal adecuado para las sustancias químicas que vaya a manipular. Consulte los protocolos de seguridad en las hojas de datos de seguridad actuales (MSDS/SDS).

1. Llene el frasco de acondicionamiento de muestra con DIPA (diisopropilamina) e introduzca la información de reactivos peligrosos en la etiqueta en blanco pegada al frasco.
2. Instale el frasco de acondicionamiento de muestra en la parte frontal del analizador.
3. Conecte el tubo suministrado en la celda de medición. Instale el tubo completamente en el interior del frasco de la solución de acondicionamiento. Asegúrese de que las tomas del tubo están apretadas para evitar fugas a la atmósfera de gases procedentes del frasco de acondicionamiento.
4. Si se utiliza un cartucho de calibración a cero química, instálelo en la parte posterior de analizador.

## Inicio

Asegúrese de que el caudal y la presión no sobrepasen los valores del apartado [Especificaciones](#) en la página 93.

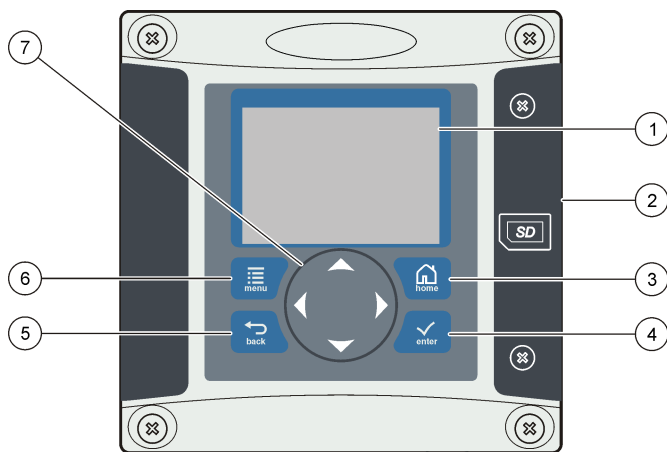
1. Abra la válvula de la línea de muestra para que el flujo de la muestra pase por el analizador.
2. Gire el mando del medidor de flujo para establecer el caudal.
3. Examine las tuberías para detectar la presencia de fugas, y si hubiera alguna, deténgala.
4. Establezca la alimentación de corriente al controlador.
5. Realice las correspondientes selecciones en el menú cuando se inicie el controlador.

## Interfaz del usuario y navegación

### Interfaz del usuario

El teclado tiene cuatro teclas de menú y cuatro teclas de navegación como se muestra en la [Figura 4](#).

**Figura 4 Descripción general del teclado y del panel frontal**



1 Pantalla del instrumento	5 Tecla <b>BACK</b> . Retrocede un nivel en la estructura del menú.
2 Cubierta para la ranura de tarjeta de memoria Secure Digital	6 Tecla <b>MENU</b> . Se desplaza al menú de configuración desde otras pantallas y submenús.
3 Tecla <b>HOME</b> . Se desplaza hasta la pantalla principal de medición desde otras pantallas y submenús.	7 Teclas de navegación Se utilizan para navegar a través de los menús y aumentar o reducir los dígitos.
4 Tecla <b>ENTER</b> . Acepta los valores introducidos, actualizaciones u opciones de menú mostradas.	

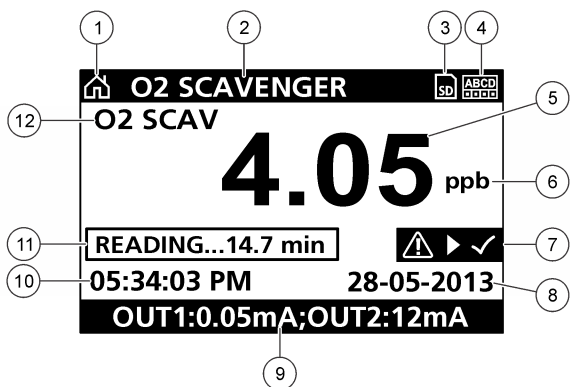
Las entradas y salidas se configuran mediante el panel frontal con el teclado y la pantalla de visualización. Esta interfaz de usuario se utiliza para configurar las entradas y salidas, crear información de registro y valores calculados, así como para calibrar los sensores. La interfaz de SD se puede utilizar para guardar registros y actualizar en software.

## Pantalla

En el apartado [Figura 5](#) se recoge un ejemplo de la pantalla de medición principal con el sensor conectado al controlador.

La pantalla de visualización del panel frontal muestra los datos de medición del sensor, los ajustes de calibración y configuración, errores, advertencias y otra información.

**Figura 5 Ejemplo de la pantalla principal de medición**



1 Icono de la pantalla de inicio	7 Barra de estado de advertencia
2 Nombre del sensor	8 Fecha
3 Icono de la tarjeta de memoria SD	9 Valores de salida analógica
4 Indicador de estado de relé	10 Hora
5 Valor de medición	11 Barra de progreso
6 Unidad de medición	12 Parámetro de medición

**Tabla 4 Descripciones de los iconos**

Icono	Descripción
Pantalla de inicio	El icono puede variar en función de la pantalla o el menú que se muestre. Por ejemplo, si hay una tarjeta SD instalada, aquí aparece un icono de tarjeta SD cuando el usuario está en el menú SD Card Setup (Configuración de tarjeta SD).
Tarjeta de memoria SD	Este icono sólo aparece si hay una tarjeta SD en la ranura del lector. Cuando un usuario está en el menú SD Card Setup (Configuración de tarjeta SD), este icono aparece en la esquina superior izquierda.
Advertencia	El icono de advertencia consiste en un signo de exclamación dentro de un triángulo. Los iconos de advertencia aparecen en el lado derecho de la pantalla de principal debajo del valor de medición. Pulse la tecla <b>ENTER</b> (Intro) y después seleccione el dispositivo para ver cualquier problema asociado con dicho dispositivo. El icono de advertencia dejará de aparecer cuando se hayan corregido o confirmado todos los problemas.
Error	El icono de error consiste en un signo de exclamación dentro de un círculo. Cuando se produce un error, el icono de error y la pantalla de medición parpadean de forma alterna en la pantalla principal. Para ver los errores, pulse la tecla <b>MENÚ</b> (Menú) y seleccione <b>Diagnostics</b> (Diagnóstico). A continuación, seleccione el dispositivo para ver cualquier problema asociado con dicho dispositivo.

### Formatos de visualización adicionales

- En la pantalla de medición principal, pulse las teclas de flecha **ARRIBA** y **ABAJO** para alternar entre los parámetros de medición.
- En la pantalla de medición principal, pulse la tecla de flecha **DERECHA** para cambiar a una pantalla dividida con hasta cuatro (4) parámetros de medición. Pulse la tecla de flecha **DERECHA** para incluir mediciones adicionales. Pulse la tecla de flecha **IZQUIERDA** si es necesario para volver a la pantalla de medición principal.
- En la pantalla de medición principal, pulse la tecla de flecha **IZQUIERDA** para cambiar a la pantalla gráfica (consulte [Pantalla gráfica](#) en la página 110 para definir los parámetros). Pulse las teclas de flecha arriba y abajo para cambiar a los gráficos de medición.

## Pantalla gráfica

El gráfico muestra las mediciones de concentración y temperatura de cada canal en uso. El gráfico proporciona una supervisión fácil de las tendencias y muestra los cambios en el proceso.

1. En la pantalla gráfica, use las teclas de flecha arriba y abajo para seleccionar un gráfico y pulse la tecla **HOME** (Inicio).
2. Seleccione una opción:

Opción	Descripción
<b>MEASUREMENT VALUE (VALOR DE MEDICIÓN)</b>	Configure el valor de medición para el canal seleccionado. Seleccione entre AUTO SCALE (ESCALA AUTOMÁTICA) y MANUALLY SCALE (ESCALA MANUAL). En el caso de la escala manual, introduzca los valores de medición mínimo y máximo
<b>DATE &amp; TIME RANGE (INTERVALO DE FECHA Y HORA)</b>	Seleccione el intervalo de fecha y hora de entre las opciones disponibles

## Funcionamiento

### Configuración del sensor

Use el menú CONFIGURE (CONFIGURAR) para introducir la información de identificación del sensor y cambiar opciones relativas a la manipulación y al almacenamiento de los datos.

1. Pulse la tecla **menu** (Menú) y seleccione SENSOR SETUP (CONFIGURACIÓN DE SENSOR) > CONFIGURE (CONFIGURAR).
2. Use las teclas de flecha para seleccionar una opción y pulse **enter** (Intro). Para introducir números, caracteres o signos de puntuación, pulse y mantenga pulsadas las teclas de flecha **arriba** y **abajo**. Pulse la tecla de flecha **derecha** para ir al siguiente espacio.

Opción	Descripción
<b>EDIT NAME (EDITAR NOMBRE)</b>	Cambia el nombre que corresponde al sensor en la parte superior de la pantalla de medición. El nombre puede contener hasta 16 caracteres en cualquier combinación de letras, números, espacios o signos de puntuación.
<b>SENSOR S/N (N.º DE SERIE DEL SENSOR)</b>	Permite al usuario ingresar el número de serie del sensor, limitado a 16 caracteres en cualquier combinación de letras, números, espacios o signos de puntuación.
<b>MEAS UNITS (UNIDADES DE MEDIDA)</b>	Cambia las unidades de medida; seleccione la unidad en la lista disponible.
<b>TEMP UNITS (UNIDADES DE TEMPERATURA)</b>	Configura las unidades de temperatura en °C (configuración predeterminada) o °F.
<b>FILTER (FILTRO)</b>	Configura una constante de tiempo para incrementar la estabilidad de la señal. La constante de tiempo calcula el valor promedio durante un tiempo determinado: desde 0 (sin efecto, configuración predeterminada) hasta 60 segundos (promedio de valor de la señal para 60 segundos). El filtro incrementa el tiempo de la señal del sensor para responder a los cambios reales del proceso.
<b>LOG SETUP (CONFIGURACIÓN DE REGISTRO)</b>	Configura el intervalo de tiempo para el almacenamiento de datos en el registro de datos: 5, 30 segundos, 1, 2, 5, 10, 15 (configuración predeterminada), 30, 60 minutos.
<b>RESET DEFAULTS (RESTABLECER VALORES PREDETERMINADOS)</b>	Configura el menú de configuración a los valores predeterminados. Se perderá toda la información del sensor.

## Calibración

### Acerca de la calibración del sensor

Las características del sensor cambian lentamente con el tiempo y hacen que se pierda precisión. El sensor se debe calibrar periódicamente para mantener la precisión. La frecuencia de calibración varía con la aplicación y la mejor manera de determinarla es mediante la experiencia.

### Calibración de temperatura

Se recomienda calibrar el sensor de temperatura una vez al año. Calibre el sensor de temperatura antes de calibrar el sensor de medición.

1. Mida la temperatura del agua con un termómetro de precisión o un instrumento independiente.
2. Pulse la tecla **menu** (Menú) y seleccione SENSOR SETUP (CONFIGURACIÓN DE SENSOR) > CALIBRATE (CALIBRAR).
3. Si la contraseña de fábrica está habilitada en el menú de seguridad del controlador, introduzca la contraseña.
4. Seleccione 1 PT TEMP CAL (CALIBRACIÓN DE TEMPERATURA DE 1 PUNTO) y pulse **enter** (Intro).
5. Aparece el valor de temperatura bruto. Pulse **enter** (Intro).
6. Introduzca el valor correcto si es diferente del valor mostrado y pulse **enter** (Intro).
7. Pulse **enter** (Intro) para confirmar la calibración. Aparece el offset de temperatura.

### Calibración a cero

El valor de cero se ha calibrado de fábrica. Use el procedimiento de calibración a cero para definir el punto de cero único del sensor.

1. Si la concentración de la muestra es < 10 ppb, para obtener unos resultados óptimos se recomienda usar el cartucho de calibración a cero opcional (consulte [Piezas de repuesto y accesorios](#) en la página 114) y dejar el sensor en su ubicación. En caso contrario, quitar el sensor del proceso y enjuagar con agua destilada.
2. Pulse la tecla **menu** (Menú) y seleccione SENSOR SETUP (CONFIGURACIÓN DE SENSOR) > CALIBRATE (CALIBRAR).
3. Si la contraseña de fábrica está habilitada en el menú de seguridad del controlador, introduzca la contraseña.
4. Seleccione ZERO CAL (CALIBRACIÓN A CERO) y pulse **enter** (Intro).
5. Seleccione la opción de la señal de salida durante la calibración:

Opción	Descripción
<b>ACTIVE (ACTIVO)</b>	Durante el proceso de calibración el instrumento envía el valor de medición actual de salida.
<b>HOLD (MANTENER)</b>	Durante el proceso de calibración el valor de salida del sensor se mantiene en el valor de medición actual.
<b>TRANSFER (TRANSFERIR)</b>	Durante la calibración se envía un valor de salida predeterminado. Consulte el manual del usuario del controlador para cambiar el valor predeterminado.

6. Si no se usa el cartucho de calibración a cero opcional, coloque el sensor limpio en una solución sin hidracina como agua ultrapura y pulse **enter** (Intro).
7. Espere una hora a que el valor se establezca y pulse **enter** (Intro).
8. Revise el resultado de la calibración:
  - PASS (CORRECTA): el sensor se ha calibrado y se muestra el offset.
  - FAIL (ERROR): la calibración está fuera de los límites aceptados. Limpie el sensor y vuelva a intentarlo. Consulte [Solución de problemas](#) en la página 113 para obtener más información.
9. Si la calibración es correcta, pulse **enter** (Intro) para continuar.

10. Si la opción del ID de operador se configura como YES (SÍ) en el menú CAL OPTIONS (OPCIONES DE CALIBRACIÓN), introduzca un ID de operador. Consulte [Cambio de las opciones de calibración](#) en la página 113.

11. En la pantalla NEW SENSOR (NUEVO SENSOR), seleccione si el sensor es nuevo:

Opción	Descripción
YES (SÍ)	El sensor no fue calibrado anteriormente con este controlador. Los días de funcionamiento y las curvas de calibraciones anteriores del sensor están restablecidas.
NO	El sensor fue calibrado anteriormente con este controlador.

12. Si no se usa el cartucho de calibración a cero opcional, vuelva a colocar el sensor en el proceso y pulse **enter** (Intro). Se vuelve a activar la señal de salida y en la pantalla de medición aparece el valor de medición de la muestra.

*Nota:* En caso que la modalidad de salida esté configurada en Retenido o Transferencia, seleccione el tiempo de demora cuando las salidas se vuelven a activar.

## Calibración con la muestra del proceso

El sensor puede permanecer en la muestra de proceso.

1. Pulse la tecla **menu** (Menú) y seleccione SENSOR SETUP (CONFIGURACIÓN DE SENSOR) > CALIBRATE (CALIBRAR).
2. Si la contraseña de fábrica está habilitada en el menú de seguridad del controlador, introduzca la contraseña.
3. Seleccione SAMPLE CAL (CALIBRACIÓN DE MUESTRA) y pulse **enter** (Intro).
4. Seleccione la opción de la señal de salida durante la calibración:

Opción	Descripción
ACTIVE (ACTIVO)	Durante el proceso de calibración el instrumento envía el valor de medición actual de salida.
HOLD (MANTENER)	Durante el proceso de calibración el valor de salida del sensor se mantiene en el valor de medición actual.
TRANSFER (TRANSFERIR)	Durante la calibración se envía un valor de salida predeterminado. Consulte el manual del usuario del controlador para cambiar el valor predeterminado.

5. Con el sensor en la muestra de proceso, pulse **enter** (Intro). Aparecerá el valor de la medición. Espere a que el valor se estabilice y pulse **enter** (Intro).
6. Con un instrumento de verificación secundario certificado, mida el valor de concentración de la muestra. Para evitar impurezas en la muestra, realice la medición antes de que la muestra entre en la cámara de flujo. Use las teclas de flecha para introducir este valor si es diferente del valor mostrado y pulse **enter** (Intro).
7. Revise el resultado de la calibración:
  - PASS (CORRECTA): el sensor se ha calibrado y se muestra el factor de calibración.
  - FAIL (ERROR): la calibración está fuera de los límites aceptados. Limpie el sensor y vuelva a intentarlo. Consulte [Solución de problemas](#) en la página 113 para obtener más información.
8. Si la calibración es correcta, pulse **enter** (Intro) para continuar.
9. Si la opción del ID de operador se configura como YES (SÍ) en el menú CAL OPTIONS (OPCIONES DE CALIBRACIÓN), introduzca un ID de operador. Consulte [Cambio de las opciones de calibración](#) en la página 113.
10. En la pantalla NEW SENSOR (NUEVO SENSOR), seleccione si el sensor es nuevo:

Opción	Descripción
YES (SÍ)	El sensor no fue calibrado anteriormente con este controlador. Los días de funcionamiento y las curvas de calibraciones anteriores del sensor están restablecidas.
NO	El sensor fue calibrado anteriormente con este controlador.



11. Con el sensor todavía la muestra de proceso, pulse **enter** (Intro). Se vuelve a activar la señal de salida y en la pantalla de medición aparece el valor de medición de la muestra.

**Nota:** En caso que la modalidad de salida esté configurada en Retenido o Transferencia, seleccione el tiempo de demora cuando las salidas se vuelven a activar.

## Cambio de las opciones de calibración

El usuario puede configurar un recordatorio de calibración o incluir un ID de operador con datos de calibración desde este menú.

1. Pulse la tecla **menu** (Menú) y seleccione SENSOR SETUP (CONFIGURACIÓN DE SENSOR) > CALIBRATE (CALIBRAR).
2. Si la contraseña de fábrica está habilitada en el menú de seguridad del controlador, introduzca la contraseña.
3. Seleccione CAL OPTIONS (OPCIONES DE CALIBRACIÓN) y pulse **enter** (Intro).
4. Use las teclas de flecha para seleccionar una opción y pulse **enter** (Intro).

Opción	Descripción
<b>CAL REMINDER (RECORDATORIO DE CALIBRACIÓN)</b>	Configura un recordatorio para la siguiente calibración en días, meses o años; seleccione el retardo necesario en la lista.
<b>OP ID ON CAL (ID DE OPERADOR PARA CALIBRACIÓN)</b>	Incluye un ID de operador con datos de calibración: YES (Sí) o NO (valor predeterminado). La identificación se ingresa durante la calibración.

## Mantenimiento

### ▲ PELIGRO

Peligros diversos. Sólo el personal cualificado debe realizar las tareas descritas en esta sección del documento.

## Limpieza y descontaminación

### ▲ PELIGRO

Desenchufe siempre el controlador antes de realizar cualquier labor de mantenimiento.

El analizador no necesita normalmente ningún tipo de limpieza o descontaminación. En caso necesario, limpie el exterior del instrumento con un paño húmedo y una solución jabonosa suave. No use nunca agentes de limpieza como turpentina, acetona o productos similares para limpiar el instrumento, incluida la pantalla y cualquier accesorio.

## Solución de problemas

### Lista de advertencias

El icono de advertencia consiste en un signo de exclamación dentro de un triángulo. Los iconos de advertencia aparecen en el lado derecho de la pantalla de principal debajo del valor de medición. Una advertencia no afecta el funcionamiento de los menús, relés y salidas. Para ver las advertencias, pulse la tecla **menu** (Menú) y seleccione DIAGNOSTICS (DIAGNÓSTICO). A continuación, seleccione el dispositivo para ver cualquier problema asociado con dicho dispositivo. El icono de advertencia dejará de aparecer cuando se haya corregido o confirmado el problema.

En la [Tabla 5](#) aparece una lista de advertencias posibles.

**Tabla 5 Lista de advertencias de los sensores de eliminador de oxígeno**

Advertencia	Descripción	Resolución:
O2 SCAVENGER TOO HIGH (CAPT O2 MUY ALTO)	El valor de la medición es > 10000 ppm	Asegúrese de que el nivel del eliminador de oxígeno (hidracina o carbohidrazida) en el agua de proceso se halla dentro de los límites de funcionamiento del sensor. Calibre o cambie el sensor.
O2 SCAVENGER TOO LOW (CAPT O2 MUY BAJO)	El valor de la medición es < 0 ppm	Calibre o cambie el sensor.
TEMP TOO HIGH (TEMPERATURA DEMASIADO ALTA)	La medición de la temperatura es > 50 °C	Reduzca la temperatura de la muestra.
TEMP TOO LOW (TEMPERATURA DEMASIADO BAJA)	La medición de la temperatura es < 0 °C	Aumente la temperatura de la muestra.
CURRENT TOO HIGH (CORRIENTE MUY ALTA)	La corriente medida es > 200 mA	Asegúrese de que el nivel del eliminador de oxígeno (hidracina o carbohidrazida) en el agua de proceso se halla dentro de los límites de funcionamiento del sensor. Calibre o cambie el sensor.
CURRENT TOO LOW (CORRIENTE MUY BAJA)	La corriente medida es > 0.5 mA	Calibre o cambie el sensor.
CAL OVERDUE (TIEMPO PARA CALIBRACIÓN EXCEDIDO)	Ha expirado el tiempo del recordatorio de calibración	Calibre el sensor.
REPLACE SENSOR (CAMBIAR SENSOR)	El sensor ha estado en funcionamiento más de 365 días	Reemplace el cartucho del sensor y calibre el sensor. Si la calibración es aprobada, reinicie los días de la membrana en el menú DIAG/TEST (DIAG/PRUEBA).
NOT CALIBRATED (SIN CALIBRAR)	El sensor no ha sido calibrado	Calibre el sensor.
CAL IN PROGRESS (CALIBRACIÓN EN CURSO)	La calibración no ha terminado	Vuelva al proceso de calibración.

## Piezas de repuesto y accesorios

Consulte la sección de piezas de repuesto y accesorios de la documentación del controlador para obtener información sobre las piezas y los accesorios del controlador.

**Nota:** Los números de producto y artículo pueden variar en algunas regiones de ventas. Comuníquese con el distribuidor correspondiente o visite el sitio Web de la compañía para obtener la información de contacto.

### Kit de piezas de repuesto para 2 años - 09186=A=8000

Descripción	Cantidad	Referencia
Filtro	6	363877,06000
Electrodo de referencia	1	368429,00000
Tobera de inyección de Venturi	1	359090,00024
Junta tórica para tobera de inyección de Venturi	1	356099,05090
Cuentas de limpieza de plástico	7	588801,75008
Tubo de PE de 4 × 6 mm	2 metros	151575,00006

## Celda de medición

Descripción	Referencia
Celda de medición	09186=A=0100
Electrodo de referencia	368429,00000
Electrodo de trabajo	09186=A=0300
Conector de codo de entrada G1/8 DN 4/6	359103,10070
Conector de salida G1/8 DN6/8	359103,10055
Enchufe NPT1/8	431=201=018
Frasco de acondicionamiento con equipo	09186=A=0200
Frasco de cristal marrón	490=010=011
Cartucho poroso	09073=C=0340
Conector G1/8 DN4/6	359103,10065
Equipado con controlador de caudal de flujo	09186=A=0400
Conector de entrada G1/4 DN4/6	587=006=002
Conector de codo corto G1/4 DN4/6	359103,10072
Conector de codo largo G1/4 DN4/6	587=906=002
Medidor de flujo	694=000=001
Conector de codo NPT1/8 DN4/6	359103,10170

## Accesorios

Descripción	Referencia
Cartucho para calibración cero de sustancias químicas	09186=A=0600

# Índice

Especificações na página 116

Informação geral na página 118

Instalação na página 120

Arranque na página 129

Interface do utilizador e navegação na página 129

Funcionamento na página 132

Manutenção na página 135

Resolução de problemas na página 135

Acessórios e peças de substituição na página 136

## Versão alargada do manual

Para obter mais informações, consulte a versão detalhada deste manual, disponível no website do fabricante.

## Especificações

As especificações podem ser alteradas sem aviso prévio.


### Panel

Especificação	Detalhes
Dimensões	817 x 300 x 140 mm (32,2 x 11,8 x 5,5 pol.)
Peso	14,6 kg (32,15 lbs)
Taxa de fluxo das amostras	10—15 litros/hora
Pressão de funcionamento	0,5—6 bar (7—87 psi)
Temperatura ambiente	0—60 °C (-32—140 °F)
Humidade relativa	10—90%
Eléctrodo de trabalho	Platina
Contra-eléctrodo	Aço inoxidável
Referência	Ag / AgCl / KCl 0,1 M
Célula de medição	Acrílico
Condicionador de amostra	DIPA (di-isopropilamina)
Normas europeias	EN 61326 Classe A para CEM; EN 601010-1 para segurança de baixa tensão
Normas internacionais	Normas internacionais

### Sensor

Especificação	Detalhes
Intervalo de medida	0—500 ppb hidrazina; 0—100 ppb carbohidrazida
Sensibilidade	< 0,2 ppb
Repetitividade	1 ppb ou $\pm$ 2% da medida, o que for maior
Limite de detecção	$\leq$ 1 ppb
Tempo de resposta	< 60 segundos
Intervalo da medição da temperatura da amostra	5—45 °C (41—113 °F)

## Controlador

Especificação	Detalhes
Descrição dos componentes	O controlador controlado por microprocessador e por menus que opera o sensor e apresenta valores de medição.
Temperatura de funcionamento	-20 a 60 °C; 95% de humidade relativa, sem condensação com carga do sensor <7 W; -20 a 50 °C com carga do sensor <28 W
Temperatura de armazenamento	-20 a 70 °C; 95% de humidade relativa, sem condensação
Invólucro <sup>1</sup>	Estrutura metálica de NEMA 4X/IP66 com acabamento resistente à corrosão
Requisitos de energia	<b>Controlador com alimentação AC:</b> 100-240 V AC ±10%, 50/60 Hz; potência de 50 VA com carga de módulo de sensor/rede de 7 W, 100 VA com carga de módulo de sensor/rede de 28 W (ligação de rede Modbus, RS232/RS485, Profibus DPV1 ou HART opcional).
	<b>Controlador com alimentação de 24 V DC:</b> 24 V DC—15%, + 20%; potência de 15 W com carga de módulo de sensor/rede de 7 W, 40 W com carga de módulo de sensor/rede de 28 W (ligação de rede Modbus, RS232/RS485, Profibus DPV1 ou HART opcional).
Requisitos de altitude	padrão 2000 m (6562 pés) ACM (Acima do Nível do Mar)
Nível de poluição/Categoria de instalação	Grau de poluição 2; Categoria de instalação II
Saídas	Duas saídas analógicas (0-20 mA ou 4-20 mA). Cada saída analógica pode ser atribuída para representar um parâmetro medido como, por exemplo, pH, temperatura, fluxo ou valores calculados. O módulo opcional disponibiliza três saídas analógicas adicionais (total de 5).
Relés	Quatro contactos SPDT configurados pelo utilizador, com tensão de 250 V AC, uma resistência máxima de 5 Amps para o controlador com alimentação AC e 24 V DC e uma resistência máxima de 5 A para o controlador com alimentação DC. Os relés foram concebidos para ligação a circuitos com corrente CA (isto é, sempre que o controlador é utilizado com potência CA de 115 - 240 V CA) ou circuitos CC (isto é, sempre que o controlador é utilizado com uma potência de 24 V CC).
Dimensões	½ DIN—144 x 144 x 180,9 mm (5,7 x 5,7 x 7,12 pol.)
Peso	1,7 kg
Requisitos de CEM	EN61326-1: Directiva EMC <i>Nota: Trata-se de um produto de Classe A. Em ambientes domésticos, este produto poderá provocar interferências. Se for o caso, poderá ser necessário tomar medidas adequadas.</i>
 Korean registration	<b>User Guidance for EMC Class A Equipment</b> 업무용을 위한 EMC 등급 A 장치에 대한 사용자 지침 사용자안내문 A 급 기기 ( 업무용 방송통신기자재 ) 이 기기는 업무용 (A 급) 전자파적합기기로서 판매자 또는 사용자는 이 점을 주의하시기 바라며, 가정외의 지역에서 사용하는 것을 목적으로 합니다.
Conformidade CE	EN61010-1: Directiva sobre Baixa Tensão
Comunicação digital	Ligação de rede Modbus, RS232/RS485, Profibus DPV1 ou HART opcional para transmissão de dados

<sup>1</sup> As unidades com certificação da Underwriters Laboratories (UL) destinam-se exclusivamente a ser utilizadas no interior e não têm classificação NEMA 4X/IP66.

Especificação	Detalhes
Registo de dados	Conector de cabo Secure Digital Card (máximo de 32 GB) ou RS232 especial para registo de dados e efectuar actualizações de software. O controlador irá manter aproximadamente 20 000 pontos de dados por sensor.
Garantia	2 anos

## Informação geral

Em caso algum o fabricante será responsável por quaisquer danos directos, indirectos, especiais, accidentais ou consequenciais resultantes de qualquer incorrecção ou omissão deste manual. O fabricante reserva-se o direito de, a qualquer altura, efectuar alterações neste manual ou no produto nele descrito, sem necessidade de o comunicar ou quaisquer outras obrigações. As edições revistas encontram-se disponíveis no website do fabricante.

## Informações de segurança

### ATENÇÃO

O fabricante não é responsável por quaisquer danos resultantes da aplicação incorrecta ou utilização indevida deste produto, incluindo, mas não limitado a, danos directos, incidentais e consequenciais, não se responsabilizando por tais danos ao abrigo da lei aplicável. O utilizador é o único responsável pela identificação de riscos de aplicação críticos e pela instalação de mecanismos adequados para a protecção dos processos na eventualidade de uma avaria do equipamento.

Leia este manual até ao fim antes de desembalar, programar ou utilizar o aparelho. Dê atenção a todos os avisos relativos a perigos e precauções. A não leitura destas instruções pode resultar em lesões graves para o utilizador ou em danos para o equipamento.

Certifique-se de que a protecção oferecida por este equipamento não é comprometida. Não o utilize ou instale senão da forma especificada neste manual.

### Uso da informação de perigo

#### ▲ PERIGO

Indica uma situação de risco potencial ou eminente que, se não for evitada, resultará em morte ou lesão grave.

#### ▲ ADVERTÊNCIA

Indica uma situação de perigo potencial ou eminente que, caso não seja evitada, poderá resultar na morte ou em ferimentos graves.

#### ▲ AVISO



Indica uma situação de risco potencial, que pode resultar em lesão ligeira a moderada.






### ATENÇÃO

Indica uma situação que, caso não seja evitada, poderá causar danos no instrumento. Informação que requer ênfase especial.

## Etiquetas de precaução

Leia todos os avisos e etiquetas do instrumento. A sua não observação pode resultar em lesões para as pessoas ou em danos para o aparelho. Um símbolo no aparelho é referenciado no manual com uma frase de precaução.

	Este é o símbolo de alerta de segurança. Observe todas as mensagens de segurança que seguem este símbolo para evitar potenciais lesões. Caso se encontre no instrumento, consulte o manual de instruções para obter informações de operação ou segurança.
	Este símbolo indica que existe um risco de choque eléctrico e/ou electrocussão.

	Este símbolo indica a presença de dispositivos sensíveis a descargas electrostáticas (DEE) e indica que é necessário ter cuidado para evitar danos no equipamento.
	Este símbolo, quando presente num produto, indica que o instrumento está ligado a corrente alternada.
	O equipamento eléctrico marcado com este símbolo não pode ser eliminado nos sistemas europeus de recolha de lixo doméstico e público. Devolva os equipamentos antigos ou próximos do final da sua vida útil ao fabricante para que os mesmos sejam eliminados sem custos para o utilizador.
	Os produtos marcados com este símbolo indicam que o produto contém substâncias ou elementos tóxicos ou perigosos. O número no interior do símbolo indica o período de uso da protecção ambiental em anos.
	Os produtos assinalados com este símbolo indicam que o produto está em conformidade com as normas relevantes sul coreanas de compatibilidade electromagnética.

## Certificação

### Regulamento Canadano de Equipamentos Causadores de Interferências, IECS-003, Classe A:

Os registos de suporte dos testes estão na posse do fabricante.

Este aparelho de Classe A obedece a todos os requisitos dos Regulamentos Canadianos de Equipamentos Causadores de Interferências.

#### Parte 15 das Normas FCC, Limites da Classe “A”

Os registos de suporte dos testes estão na posse do fabricante. Este aparelho está conforme com a Parte 15 das Normas FCC. O funcionamento está sujeito às duas condições seguintes:

1. O equipamento não provoca interferências nocivas.
2. O equipamento deve aceitar qualquer interferência recebida, incluindo interferências susceptíveis de determinar um funcionamento indesejado.

Alterações ou modificações efectuadas nesta unidade que não sejam expressamente aprovadas pela entidade responsável pela conformidade podem retirar ao utilizador a legitimidade de usar o aparelho. Este equipamento foi testado e considerado conforme relativamente aos limites para os dispositivos digitais de Classe A, de acordo com a Parte 15 das Normas FCC. Estes limites destinam-se a conferir uma protecção razoável contra interferências nocivas quando o equipamento é operado em ambiente comercial. Este equipamento gera, utiliza e pode irradiar energia de radiofrequência e, se não for instalado e utilizado em conformidade com o manual de instruções, poderá provocar interferências nocivas com comunicações por rádio. É provável que a utilização deste equipamento numa zona residencial provoque interferências nocivas. Neste caso, o utilizador deverá corrigi-las às suas próprias expensas. As técnicas a seguir podem ser utilizadas para diminuir os problemas de interferência:

1. Desligue o aparelho da corrente e verifique se esta é ou não a fonte de interferência.
2. Se o aparelho estiver ligado à mesma tomada que o dispositivo que apresenta interferências, ligue-o a uma tomada diferente.
3. Afaste o equipamento do dispositivo que está a receber a interferência.
4. Reposicione a antena de recepção do dispositivo que está a receber a interferência.
5. Experimente combinações das sugestões anteriores.

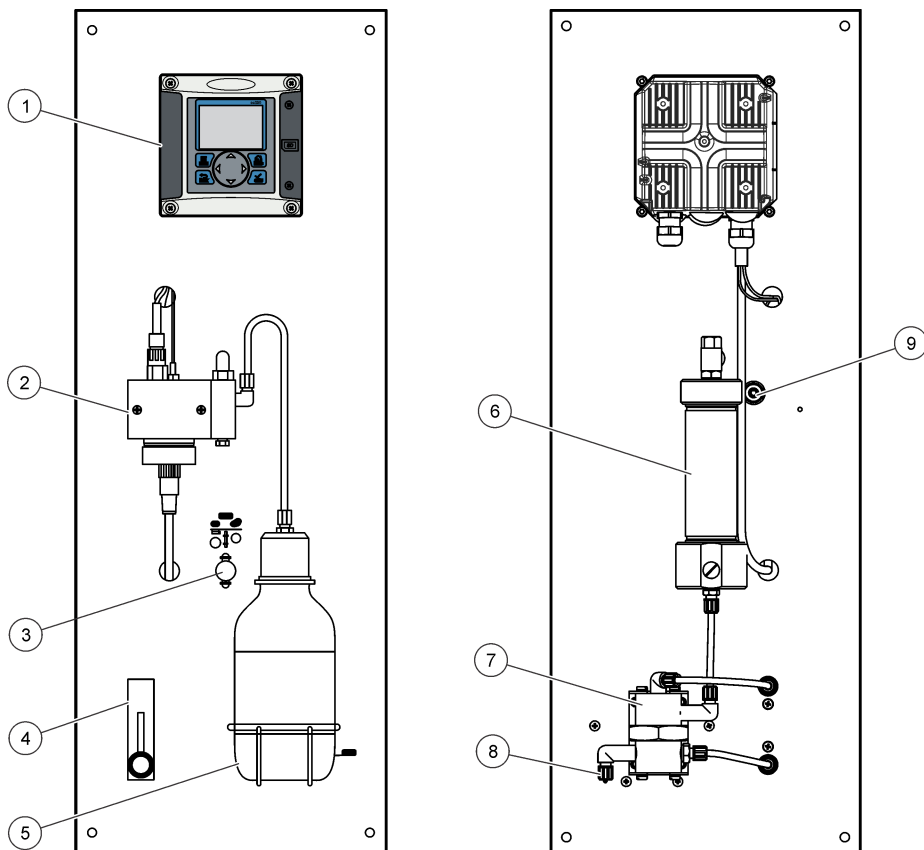
## Componentes do produto

Certifique-se de que recebeu todos os componentes. Se algum destes itens estiver em falta ou apresentar danos, contacte imediatamente o fabricante ou um representante de vendas.

## Descrição geral do produto

O analisador foi concebido para medir de forma contínua a quantidade de removedores de oxigénio (hidrazina ou carboidrazida) na água.

Figura 1 Vista frontal e traseira



1 Controlador	6 Cartucho de calibração de zero químico (opção)
2 Célula de medição	7 Regulador de pressão
3 Ligar/desligar calibração de zero químico (opção)	8 Entrada da amostra, tubo de 4/6 mm
4 Fluxómetro	9 Drenagem da amostra, tubo de 6/8 mm, pressão atmosférica
5 Garrafa de condicionamento da amostra (DIPA)	

## Instalação

### ▲ AVISO



Vários perigos. Apenas pessoal qualificado deverá realizar as tarefas descritas nesta secção do documento.



## Montagem do analisador

### ▲ AVISO

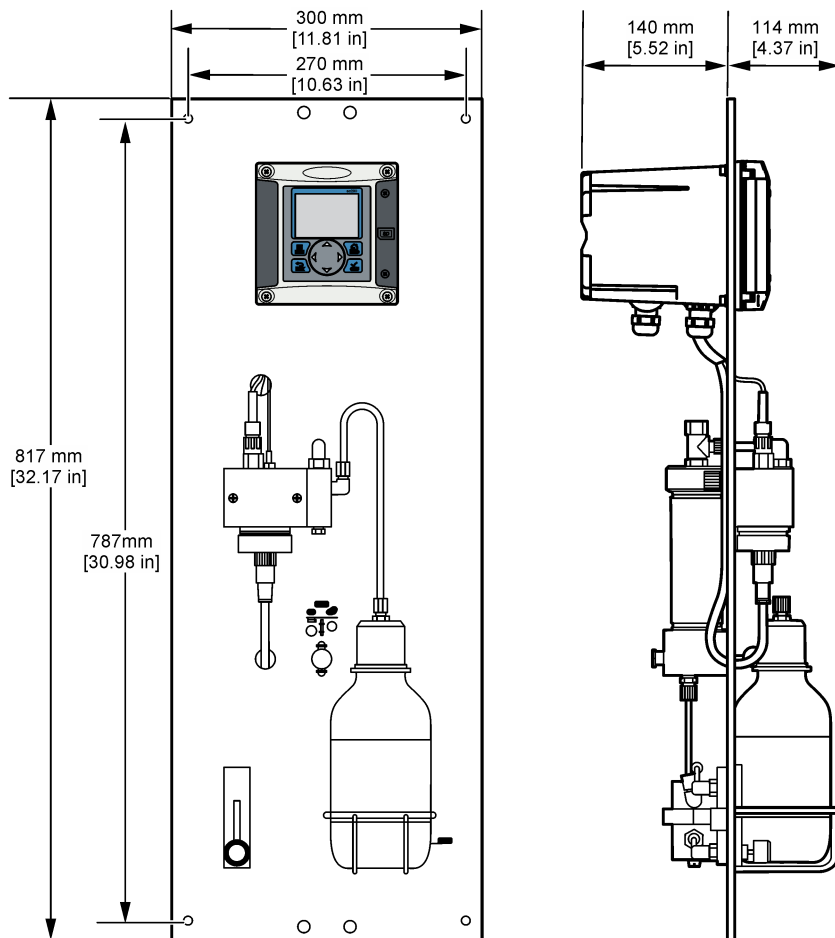
Perigo de lesões pessoais. Os instrumentos ou componentes são pesados. Peça ajuda para instalar ou mover os instrumentos ou componentes. Certifique-se de que a montagem de parede aguenta um peso 4 vezes superior ao do equipamento.

### ATENÇÃO

O analisador deve estar alinhado na vertical para garantir a precisão.

Coloque o analisador numa superfície estável e vertical. Utilize um nível para se certificar de que o analisador se encontra completamente na vertical. Consulte as directrizes que se seguem.

- Coloque o instrumento num local adequado com acesso para utilização, assistência e calibragem.
- Certifique-se de que existe uma boa visibilidade do ecrã e dos controlos.
- Mantenha o instrumento afastado de fontes de calor.
- Mantenha o instrumento afastado de vibrações.
- Mantenha a tubagem de amostra o mais curta possível para minimizar o tempo de resposta.
- Certifique-se de que não existe ar na linha de fornecimento da amostra.

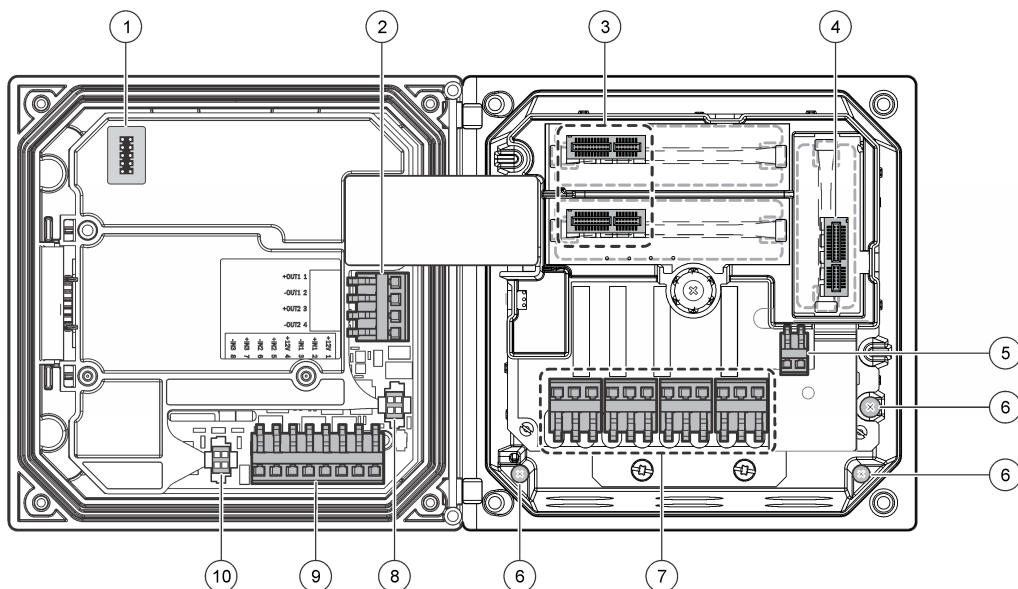


## Descrição geral da cablagem

Figura 2 mostra uma visão geral das ligações de cablagem dentro do controlador com a barreira de alta tensão removida. O lado esquerdo da figura mostra a parte de trás da tampa do controlador.

**Nota:** Remova as capas do conector antes de proceder à instalação do módulo.

Figura 2 Descrição geral das ligações de cablagem



1 Ligação do cabo de serviço	5 Conector de alimentação CA e CC <sup>2</sup>	9 Conector dos fios da entrada discreta <sup>2</sup>
2 Saída de 4 a 20 mA <sup>2</sup>	6 Terminais de ligação à terra	10 Conector do sensor digital <sup>2</sup>
3 Conector do módulo do sensor	7 Ligações dos relés <sup>2</sup>	
4 Conector do módulo de comunicação (por exemplo, Modbus, Profibus, HART, módulo 4-20 mA opcional, etc.)	8 Conector do sensor digital <sup>2</sup>	

### Barreira de alta tensão

A cablagem de alta tensão para o controlador encontra-se por trás da barreira de alta tensão na estrutura do controlador. A barreira deve permanecer no local excepto quando instalar módulos, ou quando um técnico de instalação qualificado estiver a ligar a potência, alarmes ou relés. Não retire a barreira quando estiver a ser aplicada potência ao controlador.

### Ligação à corrente

#### ⚠ ADVERTÊNCIA



Perigo potencial de electrocussão. Desligue sempre a energia do instrumento quando efectuar ligações eléctricas.

<sup>2</sup> Para um melhor acesso, os terminais podem ser removidos.

## ⚠ ADVERTÊNCIA



Perigo potencial de electrocussão. Caso este equipamento seja usado no exterior ou em locais potencialmente húmidos, deve ser utilizado um dispositivo **Interruptor de falha de terra** para ligar o equipamento à sua fonte de potência principal.

## ⚠ PERIGO



Perigo de electrocussão. Não ligue a potência AC a um modelo que trabalha com 24 VDC.

## ⚠ ADVERTÊNCIA



Perigo potencial de electrocussão. Uma ligação terra (PE) de protecção é necessária para ambas as aplicações de fio 100-240 VAC e 24 VDC. A falha de ligação a uma boa ligação terra PE pode resultar em choques perigosos e desempenho fraco devido a interferências electromagnéticas. Ligue SEMPRE o terminal de controlo a uma boa ligação terra PE.

## ATENÇÃO

Instale o dispositivo num local e posição que dê acesso fácil ao dispositivo de desligar e o seu funcionamento.

O controlador pode ser adquirido como um modelo com capacidade de 100-240 VAC ou de 24 VDC. Siga as instruções de cablagem adequadas para o modelo adquirido.

O controlador pode ser ligado à corrente eléctrica através de acessórios de ligação ou de um cabo de alimentação. Seja qual for o fio utilizado, as ligações são efectuadas nos mesmos terminais. É necessário um sistema de desactivação local concebido para cumprir o código eléctrico local e deve estar identificado para todos os tipos de instalação. Nas aplicações ligadas por cabos, as quebras do serviço de potência e terra para o instrumento devem ser de 18 a 12 AWG. Certifique-se de que o isolamento da cablagem da instalação esteja classificada para o mínimo de 80 °C (176 °F).

### Notas:

- Antes de efectuar quaisquer ligações eléctricas, é necessário remover a barreira de tensão. Depois de efectuar todas as ligações, coloque de novo a barreira de tensão antes de fechar a tampa do controlador.
- Pode ser utilizado um redutor de tensão tipo selagem e um cabo de alimentação com menos de 3 metros de comprimento com três condutores de 18 (incluindo um fio de terra de segurança) para manter a classificação ambiental de NEMA 4X/IP66.
- Os controladores podem ser encomendados com cabos de alimentação AC previamente instalados. Podem ser igualmente encomendados cabos de alimentação adicionais.
- A fonte de alimentação DC que fornece energia ao controlador com alimentação de 24 VDC deve manter a regulação da tensão dentro dos limites de tensão de 24 VDC-15% +20% especificados. A fonte de alimentação DC deve também fornecer uma protecção adequada contra sobrecargas e transitórios na linha.

### Procedimento de cablagem

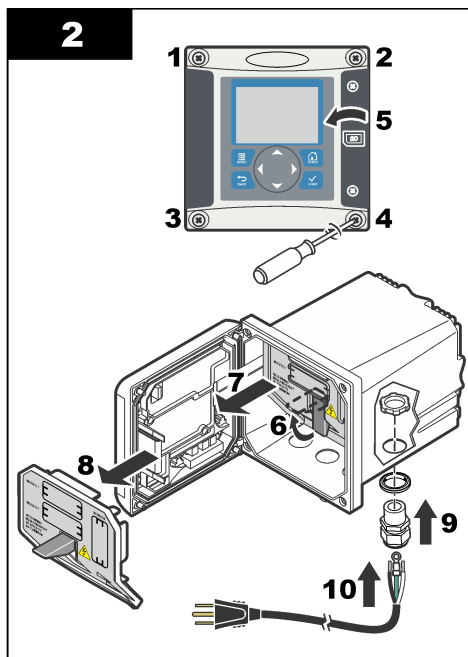
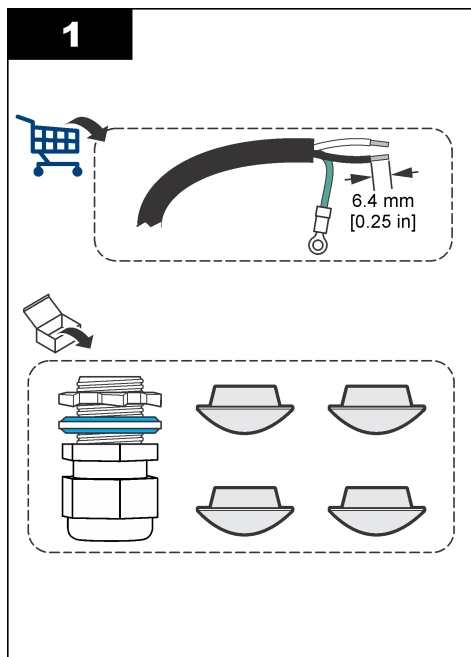
Consulte os passos ilustrados que se seguem e [Tabela 1](#) ou [Tabela 2](#) para ligar o sensor à alimentação. Insira cada fio ao terminal adequado até o isolamento entrar em contacto com o conector e sem fios descarnados expostos. Puxe suavemente após a inserção para se certificar que a ligação é segura. Vede quaisquer aberturas não usadas na caixa do controlador com as tampas de enchimento da abertura das ligações.

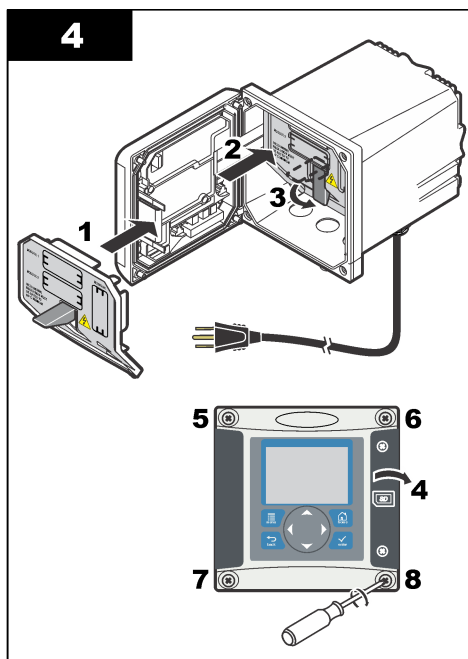
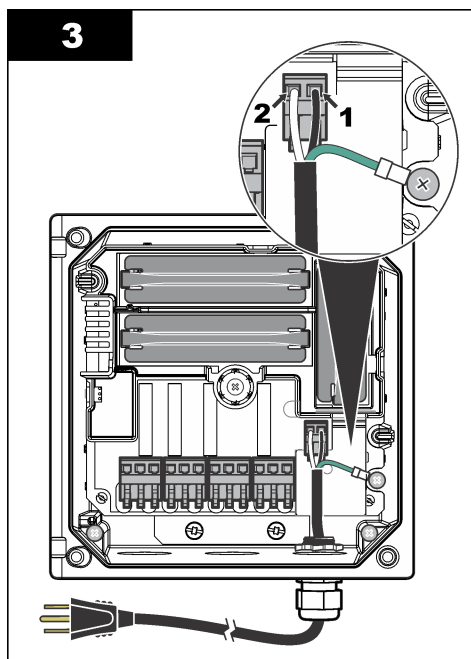
**Tabela 1 Informações sobre ligação à corrente AC (apenas para modelos com alimentação AC)**

Terminal	Descrição	Cor – América do Norte	Cor – UE
1	Quente (L1)	Preto	Castanho
2	Neutro (N)	Branco	Azul
—	Lingueta de terra da ligação à terra de protecção (PE)	Verde	Verde com faixa amarela

**Tabela 2 Informações sobre ligação à corrente DC (apenas para modelos com alimentação DC)**

Terminal	Descrição	Cor – América do Norte	Cor – UE
1	+24 V DC	Vermelho	Vermelho
2	Retorno de 24 V DC	Preto	Preto
—	Lingueta de terra da ligação à terra de protecção (PE)	Verde	Verde com faixa amarela






### Alarmes e relés


O controlador está equipado com quatro relés de pólos simples, sem potência, com uma tensão que varia entre 100 e 250 V AC, 50/60 Hz e uma resistência máxima de 5 amps. Os contactos têm uma tensão de 250 V AC, uma resistência máxima de 5 amps para o controlador com alimentação AC e 24 V DC e uma resistência máxima de 5 A para o controlador com alimentação DC. Os relés não são adequados para cargas indutivas.

### Relés de ligação

<b>⚠ ADVERTÊNCIA</b>	
	Perigo potencial de electrocussão. Desligue sempre a energia do instrumento quando efectuar ligações eléctricas.

<b>⚠ ADVERTÊNCIA</b>	
	Perigo potencial de incêndio. Os contactos do relé têm uma potência de 5 A e não estão ligados. As cargas externas ligadas aos relés devem ter dispositivos de limitação de corrente fornecidos para limitar uma corrente para < 5 A.

<b>⚠ ADVERTÊNCIA</b>	
	Perigo potencial de incêndio. Não efectue ligações de relé comuns ou fios de ligação provisória à ligação à corrente eléctrica dentro do instrumento.

<b>⚠ ADVERTÊNCIA</b>	
	Perigo potencial de electrocussão. Para manter as classificações ambientais NEMA/IP da estrutura, utilize apenas acessórios de ligação e caixas de empanque para cabos concebidos para, pelo menos, NEMA 4X/IP66 para encaminhar cabos para o instrumento.

### Controladores com alimentação com linha AC (100—250 V)

## ⚠ ADVERTÊNCIA



Perigo potencial de electrocussão. Os controladores com alimentação de corrente CA sc200 (115 V–230 V) foram concebidos para ligações de relés a circuitos de corrente CA (i.e., tensões superiores a 16 V-RMS, 22,6 V-PEAK ou 35 V CC).

O compartimento de ligação não foi concebido para montagens em tensão superiores a 250 VAC.

### Controladores com alimentação de 24 VDC

## ⚠ ADVERTÊNCIA



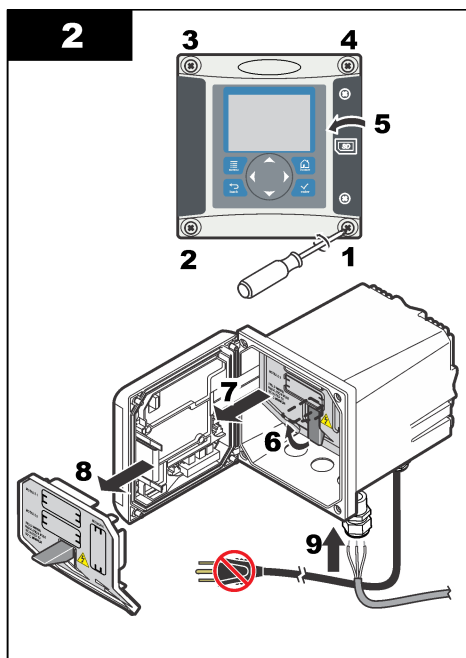
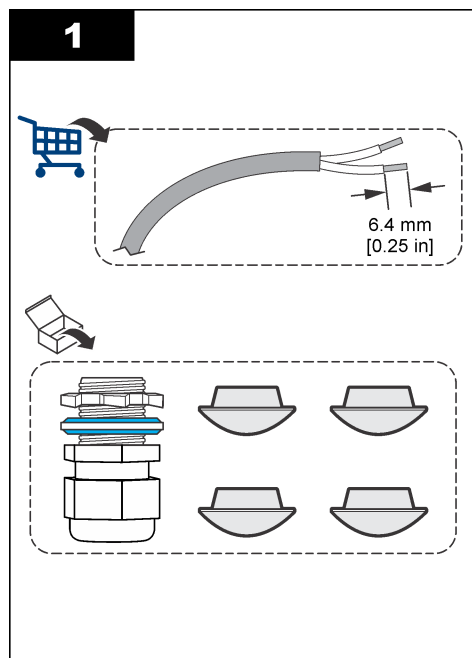
Perigo potencial de electrocussão. Os controladores com alimentação de corrente de 24 V p foram concebidos para ligações de relés a circuitos de baixa tensão (i.e., tensões inferiores a 16 V-RMS, 22,6 V-PEAK ou 35 V CC).

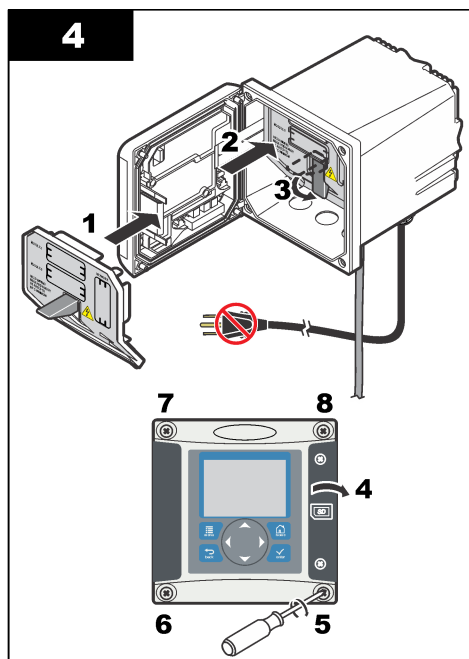
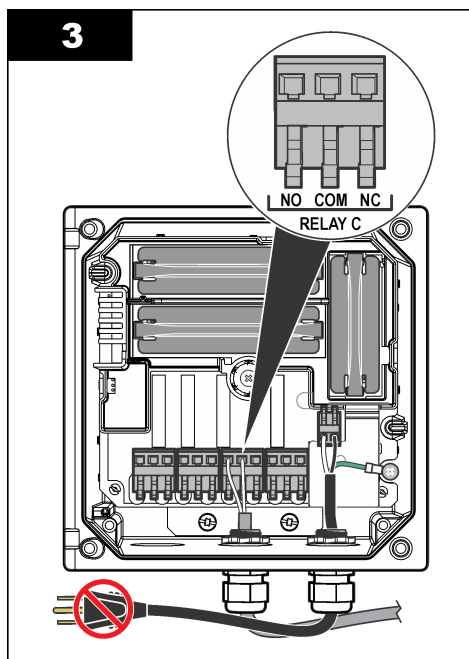
Os relés do controlador de 24 VDC foram concebidos para ligação a circuitos de baixa tensão (isto é, tensões inferiores a 30 V-RMS, 42,2 V-PEAK ou 60 VDC). O compartimento de ligação não foi concebido para montagens em tensão superiores a estes valores.

O conector de relé aceita fios de 18-12 AWG (como determinado pela aplicação de carga). Não é recomendada uma espessura de fio inferior a 18 AWG. Certifique-se de que o isolamento da cablagem da instalação esteja classificada para o mínimo de 80 °C (176 °F).

Os contactos de relé Normalmente aberto (NO) e Comum (COM) serão ligados quando um alarme ou outra condição estiver activa. Os contactos de relé Normalmente fechado (NC) e Comum serão ligados quando um alarme ou outra condição estiver inactiva (a menos que o Sistema à prova de falhas esteja definido para Sim) ou quando a alimentação é removida do controlador.

A maioria das ligações de relé utilizam terminais NO e COM ou os terminais NC e COM. Os passos da instalação numerada mostram a ligação aos terminais NO e COM.





### Ligações de saída analógica

#### ⚠ ADVERTÊNCIA



Perigo potencial de electrocussão. Desligue sempre a energia do instrumento quando efectuar ligações eléctricas.

#### ⚠ ADVERTÊNCIA



Perigo potencial de electrocussão. Para manter as classificações ambientais NEMA/IP da estrutura, utilize apenas acessórios de ligação e caixas de empanque para cabos concebidos para, pelo menos, NEMA 4X/IP66 para encaminhar cabos para o instrumento.

São fornecidas duas saídas analógicas isoladas (1 e 2) (Figura 3). Estas saídas são normalmente utilizadas para sinalização analógica ou controlar outros dispositivos externos.

Efectue as ligações de fios do controlador, tal como indicado em Figura 3 e em Tabela 3.

**Nota:** Figura 3 mostra a parte de trás da tampa do controlador e não o interior do compartimento do controlador principal.

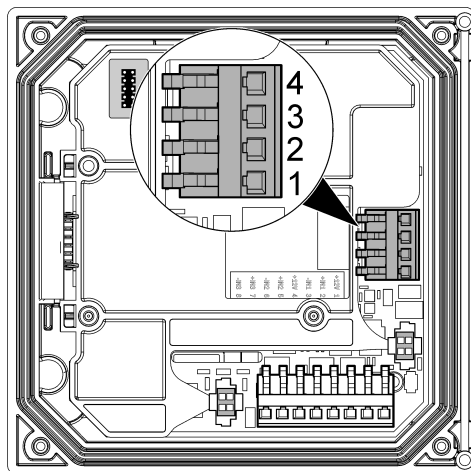
Tabela 3 Ligações de saída

Fios do gravador	Posição da placa do circuito
Saída 2-	4
Saída 2+	3
Saída 1-	2
Saída 1+	1

1. Abra a tampa do controlador.
2. Direcione os fios através do redutor de tensão.
3. Ajuste o fio conforme necessário e aperte o redutor de tensão.

4. Faça as ligações com o fio blindado de par trançados e ligue a blindagem à extremidade do componente controlado ou na extremidade do circuito de comando.
  - Não ligue a blindagem a ambas as extremidades do cabo.
  - A utilização de cabos não blindados pode resultar em níveis de emissão de frequência de rádio ou de susceptibilidade superiores ao permitido.
  - A resistência máxima de ciclo é de 500 ohm.
5. Feche a tampa do controlador e aperte os parafusos da tampa.
6. Configure as saídas no controlador.

**Figura 3** Ligações de saída analógica



### Ligue a saída de comunicação digital opcional

O fabricante suporta os protocolos de comunicação Modbus RS485, Modbus RS232, Profibus DPV1 e HART. O módulo de saída digital opcional está instalado na localização indicada pelo item 4 em [Figura 2](#) na página 122. Para mais informações, consulte as instruções fornecidas com o módulo de rede.

### Ligar as linhas da amostra e de drenagem

Ligue as linhas da amostra e de drenagem às ligações existentes na parte traseira do painel.

1. Ligue a linha da amostra à ligação do tubo OD de 4/6 mm de entrada.
2. Ligue a linha de drenagem à ligação do tubo OD de 6/8 mm de drenagem. Mantenha a linha de drenagem o mais curta possível e à pressão atmosférica.



## Instalação dos reagentes

### ▲ ADVERTÊNCIA



Perigo de exposição a produtos químicos. Siga os procedimentos de segurança do laboratório e utilize todo o equipamento de protecção pessoal adequado aos produtos químicos manuseados. Consulte as fichas de dados sobre segurança de materiais (MSDS/SDS) para protocolos de segurança.

1. Encha a garrafa de condicionamento vazio com DIPA (diisopropilamina) e introduza os informações reagente perigosos na etiqueta em branco afixada na garrafa.
2. Instale a garrafa de condicionamento da amostra na parte da frente do analisador.
3. Ligue o tubo fornecido à célula de medição. Instale o tubo completamente no interior da garrafa de solução de condicionamento. Certifique-se de que as ligações do tubo se encontram apertadas para evitar fugas de fumos da garrafa de condicionamento para a atmosfera.
4. Se utilizar o cartucho de zero químico, instale-o na parte traseira do analisador.

## Arranque

Certifique-se de que a taxa de fluxo e a pressão não excedem os valores indicados em [Especificações](#) na página 116.

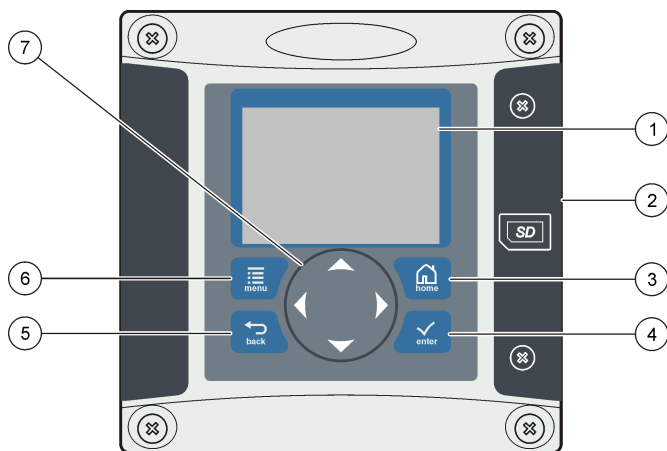
1. Abra a válvula na linha da amostra para permitir que a amostra flua através do analisador.
2. Rode o botão existente no medidor de fluxo para regular a taxa de fluxo.
3. Examine as canalizações quanto à existência de fugas e repare as fugas eventualmente encontradas.
4. Forneça alimentação ao controlador.
5. Efectue as selecções de menu aplicáveis quando o controlador for iniciado.

## Interface do utilizador e navegação

### Interface do utilizador

O teclado tem quatro teclas de menu e quatro setas de direcção, tal como indicado em [Figura 4](#).

**Figura 4** Visão geral do teclado e do painel frontal



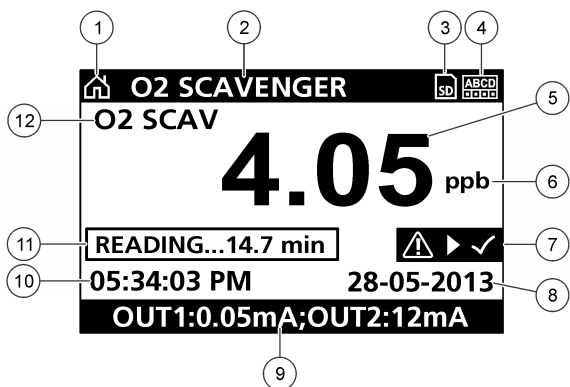
1 Ecrã do instrumento	5 Tecla <b>VOLTAR</b> . Retrocede um nível na estrutura do menu.
2 Tampa da ranhura do cartão Secure Digital Memory	6 Tecla <b>MENU</b> . Muda para o Menu de configurações a partir de outros ecrãs e submenus.
3 Tecla <b>INÍCIO</b> . Muda para o ecrã Medição principal de outros ecrãs e submenus.	7 Teclas de direcção. Utilizado para navegar pelos menus, alterar definições e aumentar ou diminuir dígitos.
4 Tecla <b>ENTER</b> . Aceita valores introduzidos, actualizações ou opções de menu apresentadas.	

As entradas e saídas são especificadas e configuradas através do painel frontal utilizando o teclado e o ecrã. Esta interface de utilizador é utilizada para configurar entradas e saídas, criar informações de registo e valores calculados, bem como calibrar sensores. A interface SD pode ser utilizada para guardar registos e actualizar software.

## Ecrã

A [Figura 5](#) apresenta um exemplo do ecrã de medição principal com o sensor ligado ao controlador. O ecrã do painel frontal mostra os dados de medição do sensor, definições de calibração e configuração, erros, avisos e outras informações.

**Figura 5 Exemplo do ecrã de medição principal**



1 Ícone do ecrã inicial	7 Barra de estado de aviso
2 Nome do sensor	8 Data
3 Ícone do cartão de memória SD	9 Valores de saída analógica
4 Indicador do estado do relé	10 Hora
5 Valor de medição	11 Barra de progresso
6 Unidade de medição	12 Parâmetro de medição

**Tabela 4 Descrições dos ícones**

Ícone	Descrição
Ecrã inicial	O ícone pode variar, dependendo do ecrã ou menu apresentado. Por exemplo, se estiver instalado um cartão SD, é apresentado aqui um cartão SD quando o utilizador está no menu Config. do cartão SD.
Cartão de memória SD	Este ícone só é apresentado se estiver um cartão SD na ranhura do leitor. Quando um utilizador se encontra no menu Config. do cartão SD, este ícone é apresentado no canto superior esquerdo.
Aviso	Um ícone de aviso consiste num ponto de exclamação dentro de um triângulo. Os ícones de aviso são apresentados à direita do ecrã principal sob o valor de medição. Pressione a tecla <b>ENTER</b> e, em seguida, seleccione o dispositivo para visualizar quaisquer problemas associados ao mesmo. O ícone de aviso deixará de ser apresentado assim que todos os problemas tenham sido corrigidos ou reconhecidos.
Erro	Um ícone de erro consiste num ponto de exclamação dentro de um círculo. Quando ocorre um erro, o ícone de erro e o ecrã de medição piscam alternadamente no ecrã principal. Para visualizar os erros, pressione a tecla <b>MENU</b> e seleccione <b>Diagnostics</b> (Diagnóstico). Em seguida, seleccione o dispositivo para visualizar quaisquer problemas associados a esse dispositivo.

### Formatos de visualização adicionais

- A partir do ecrã de medição principal, pressione as teclas de seta **PARA CIMA** e **PARA BAIXO** para alternar entre os parâmetros de medição
- A partir do ecrã de medição principal, pressione a tecla de seta **PARA A DIREITA** para mudar para uma visualização dividida com até 4 parâmetros de medição. Pressione a tecla de seta **PARA A DIREITA** para incluir medições adicionais. Pressione a tecla de seta **PARA A ESQUERDA**, conforme necessário, para regressar ao ecrã de medição principal
- A partir do ecrã de medição principal, pressione a tecla de seta **PARA A ESQUERDA** para mudar para a visualização gráfica (consulte [Visualização gráfica](#) na página 132 para definir os

parâmetros). Pressione as teclas **PARA CIMA** e **PARA BAIXO** para alternar entre gráficos de medição

## Visualização gráfica

O gráfico demonstra as medições de temperatura e concentração para cada canal em utilização. O gráfico permite uma fácil monitorização das tendências e mostra as alterações no processo.

1. A partir do ecrã de visualização gráfica utilize as setas para cima e para baixo para seleccionar um gráfico e pressione a tecla **HOME**.
2. Selecciona uma opção:

Opção	Descrição
<b>MEASUREMENT VALUE (VALOR DA MEDIÇÃO)</b>	Define o valor de medição do canal seleccionado. Selecciona entre Auto Scale (Dim. Auto) e Manually Scale (Dimens. Manual). Para um dimensionamento manual introduza os valores mínimo e máximo de medição
<b>DATE &amp; TIME RANGE (INTERVALO DATA/HORA)</b>	Selecciona o intervalo de data e hora a partir das opções disponíveis

## Funcionamento

### Configurar o sensor

Utilize o menu **CONFIGURE** (Configurar) para introduzir informação de identificação para o sensor e alterar opções para o processamento e armazenamento de dados.

1. Prima a tecla **menu** e selecciona **SENSOR SETUP** (Configuração do sensor)>**CONFIGURE** (Configurar).
2. Utilize as teclas de seta para seleccionar uma opção e prima **enter**. Para introduzir números, caracteres ou pontuação, mantenha premidas as teclas de seta **para cima** ou **para baixo**. Prima a tecla de seta **para a direita** para avançar para o espaço seguinte.

Opção	Descrição
<b>EDIT NAME (Editar nome)</b>	Muda o nome que corresponde ao sensor no topo do ecrã de medição. O nome tem um limite máximo de 16 caracteres, sendo possível qualquer combinação de letras, números, espaços ou pontuação.
<b>SENSOR S/N (N/s do sensor)</b>	Permite ao utilizador introduzir o número de série do sensor, limitado a 16 caracteres em qualquer combinação de letras, números, espaços ou pontuação.
<b>MEAS UNITS (unidades de med.)</b>	Altera as unidades de medição—Selecciona a unidade a partir da lista disponível.
<b>TEMP UNITS (Unidades de temperatura)</b>	Define as unidades de temperatura como °C (predefinição) ou °F
<b>FILTER (Filtro)</b>	Define uma constante de tempo para aumentar a estabilidade do sinal. A constante temporal calcula o valor médio durante um período especificado—0 (nenhum efeito, predefinição) a 60 segundos (média do valor do sinal durante 60 segundos). O filtro aumenta o tempo em que o sinal do sensor deve responder às alterações do processo.
<b>LOG SETUP (Configuração do registo)</b>	Define o intervalo de tempo para armazenamento de dados no registo de dados—5, 30 segundos, 1, 2, 5, 10, 15 (predefinição), 30, 60 minutos.
<b>RESET DEFAULTS (Repor predefinições)</b>	Define o menu de configuração para as predefinições. Todas as informações sobre o sensor foram perdidas.

## Calibração

### Sobre o sensor de calibração

As características do sensor mudam lentamente ao longo do tempo e permitem que o sensor perca precisão. O sensor deve ser calibrado regularmente para manter a precisão. A frequência de calibração varia com a aplicação e é melhor determinada pela experiência.

### Calibração de temperatura

Recomenda-se calibrar o sensor de temperatura uma vez por ano. Calibre o sensor de temperatura antes de calibrar o sensor de medição.

1. Meça a temperatura da água com um termómetro preciso ou um instrumento independente.
2. Prima a tecla **menu** e seleccione SENSOR SETUP (Configuração do sensor)>CALIBRATE (Calibrar).
3. Se o código de acesso estiver activado no menu de segurança para o controlador, introduza o código de acesso.
4. Seleccione 1 PT TEMP CAL (Calibração de temperatura de 1 ponto) e prima **enter**.
5. É apresentado o valor bruto da temperatura. Prima **enter**.
6. Introduza o valor correcto, se diferir do valor apresentado, e prima **enter**.
7. Prima **enter** para confirmar a calibração. O desvio de temperatura é apresentado.

### Calibração zero

O valor de zero foi calibrado em fábrica. Use o procedimento de calibração zero para definir o único ponto zero do sensor.

1. Se a concentração da amostra for < 10 ppb, para obter melhores resultados recomenda-se a utilização do cartucho de calibração zero opcional (consulte a secção [Acessórios e peças de substituição](#) na página 136) e deixe o sensor no respectivo local. Caso contrário, remova o sensor do processo e lave com água destilada.
2. Prima a tecla **menu** e seleccione SENSOR SETUP (Configuração do sensor)>CALIBRATE (Calibrar).
3. Se o código de acesso estiver activado no menu de segurança para o controlador, introduza o código de acesso.
4. Seleccione ZERO CAL (Calibração zero) e prima **enter**.
5. Seleccione a opção para o sinal de saída durante a calibração:

Opção	Descrição
<b>ACTIVE (Activo)</b>	O instrumento envia o valor de saída actual medido durante o procedimento de calibração.
<b>HOLD (Manter)</b>	O valor de saída do sensor é mantido no valor actual medido durante o procedimento de calibração.
<b>TRANSFER (Transferir)</b>	Um valor de saída predefinido é enviado durante a calibração. Consulte o manual do utilizador do controlador para alterar o valor predefinido.

6. Se não utilizar o cartucho de calibração zero opcional, coloque o sensor limpo numa solução sem hidrazina como, por exemplo, água ultra pura, e prima **enter**.
7. Aguarde até uma hora para que o valor estabilize e prima **enter**.
8. Reveja o resultado da calibração:
  - PASS (Aprovado)—o sensor está calibrado e o desvio é apresentado.
  - FAIL (Falha)—a calibração encontra-se fora dos limites aceitáveis. Limpe o sensor e tente novamente. Consulte a secção [Resolução de problemas](#) na página 135 para obter mais informações.
9. Se a calibração for aprovada, prima **enter** para continuar.

10. Se a opção de ID do operador estiver definida como YES (Sim) no menu CAL OPTIONS (Opções de calibração), introduza uma ID do operador. Consulte a secção [Alterar as opções de calibração](#) na página 135.
11. No ecrã NEW SENSOR (Novo sensor), seleccione se o sensor é novo:

Opção	Descrição
<b>YES (Sim)</b>	O sensor não foi calibrado anteriormente com este controlador. Os dias da operação e as curvas da calibração anterior do sensor são repostos.
<b>NO (Não)</b>	O sensor foi calibrado anteriormente com este controlador.

12. Caso não utilize o cartucho de calibração zero opcional, volte a colocar o sensor no processo e prima **enter**. O sinal de saída regressa ao estado activo e o valor da amostra medida é apresentado do ecrã de medição.

*Nota:* Se o modo de saída estiver definido para manter ou transferir, seleccione o tempo de atraso quando as saídas voltarem ao estado activo.

## Calibração com a amostra de processo

O sensor pode permanecer na amostra de processo.

1. Prima a tecla **menu** e seleccione SENSOR SETUP (Configuração do sensor)>CALIBRATE (Calibrar).
2. Se o código de acesso estiver activado no menu de segurança para o controlador, introduza o código de acesso.
3. Seleccione SAMPLE CAL (Calibração de amostra) e prima **enter**.
4. Seleccione a opção para o sinal de saída durante a calibração:

Opção	Descrição
<b>ACTIVE (Activo)</b>	O instrumento envia o valor de saída actual medido durante o procedimento de calibração.
<b>HOLD (Manter)</b>	O valor de saída do sensor é mantido no valor actual medido durante o procedimento de calibração.
<b>TRANSFER (Transferir)</b>	Um valor de saída predefinido é enviado durante a calibração. Consulte o manual do utilizador do controlador para alterar o valor predefinido.

5. Com o sensor na amostra do processo, prima **enter**. É apresentado o valor medido. Espere que o valor estabilize e prima **enter**.
6. Com um instrumento de verificação secundário certificado, meça o valor da concentração da amostra. Para evitar impurezas na amostra, realize a medição antes da amostra entrar na câmara de fluxo. Use as teclas de seta para introduzir este valor se diferir do valor exibido e prima **enter**.
7. Reveja o resultado da calibração:
  - PASS (Aprovado)—o sensor é calibrado e o factor de calibração é apresentado.
  - FAIL (Falha)—a calibração encontra-se fora dos limites aceitáveis. Limpe o sensor e tente novamente. Consulte a secção [Resolução de problemas](#) na página 135 para obter mais informações.
8. Se a calibração for aprovada, prima **enter** para continuar.
9. Se a opção de ID do operador estiver definida como YES (Sim) no menu CAL OPTIONS (Opções de calibração), introduza uma ID do operador. Consulte a secção [Alterar as opções de calibração](#) na página 135.

10. No ecrã NEW SENSOR (Novo sensor), selecione se o sensor é novo:

Opção	Descrição
<b>YES (Sim)</b>	O sensor não foi calibrado anteriormente com este controlador. Os dias da operação e as curvas da calibração anterior do sensor são repostos.
<b>NO (Não)</b>	O sensor foi calibrado anteriormente com este controlador.

11. Com o sensor ainda no processo, prima **enter**. O sinal de saída regressa ao estado activo e o valor da amostra medida é apresentado do ecrã de medição.

**Nota:** Se o modo de saída estiver definido para manter ou transferir, selecione o tempo de atraso quando as saídas voltarem ao estado activo.

## Alterar as opções de calibração

O utilizador pode definir um lembrete de calibração ou incluir uma ID de operador com dados de calibração neste menu.

1. Prima a tecla **menu** e selecione SENSOR SETUP (Configuração do sensor)>CALIBRATE (Calibrar).
2. Se o código de acesso estiver activado no menu de segurança para o controlador, introduza o código de acesso.
3. Selecione CAL OPTIONS (Opções de calibração) e prima **enter**.
4. Use as teclas de seta para seleccionar uma opção e prima **enter**.

Opção	Descrição
<b>CAL REMINDER (Lembrete de calibração)</b>	Define um lembrete para a próxima calibração em dias, meses ou anos —selecione o atraso necessário na lista.
<b>OP ID ON CAL (ID do Op. na cal.)</b>	Inclui uma ID de operador com os dados de calibração—YES (Sim) ou NO (Não) (predefinição). A ID é introduzida durante a calibração.

## Manutenção

### ▲ PERIGO

Vários perigos. Apenas pessoal qualificado deverá realizar as tarefas descritas nesta secção do documento.

## Limpeza e descontaminação

### ▲ PERIGO

Desligue sempre a alimentação do controlador antes de efectuar as actividades de manutenção.

Geralmente, o analisador não necessita de qualquer limpeza ou descontaminação. Se necessário, limpe o exterior do instrumento com um pano húmido e uma solução de sabão neutro. Nunca utilize agentes de limpeza como terebintina, acetona ou produtos semelhantes para limpar o instrumento, incluindo o monitor e quaisquer acessórios.

## Resolução de problemas

### Lista de avisos

Um ícone de aviso consiste num ponto de exclamação dentro de um triângulo. Os ícones de aviso são apresentados à direita do ecrã principal sob o valor de medição. Um aviso não afecta o funcionamento dos menus, relés e saídas. Para visualizar avisos, prima a tecla **menu** e selecione DIAGNOSTICS (Diagnósticos). Em seguida, selecione o dispositivo para visualizar quaisquer problemas associados a esse dispositivo. O ícone de aviso deixará de ser apresentado assim que o problema tenha sido corrigido ou reconhecido.

Em seguida, é apresentada uma lista dos possíveis avisos na [Tabela 5](#).

**Tabela 5 Lista de avisos para sensores de remoção de oxigénio**

Aviso	Descrição	Resolution (Resolução)
O2 SCAVENGER TOO HIGH (Removedor de O2 demasiado alto)	O valor medido é > 10000 ppm	Certifique-se de que o nível do removedor de oxigénio (hidrazina ou carbohidrazida) na água de processo está dentro dos limites de funcionamento do sensor. Calibre ou substitua o sensor.
O2 SCAVENGER TOO LOW (Removedor de O2 demasiado baixo)	O valor medido é < 0 ppm	Calibre ou substitua o sensor.
TEMP TOO HIGH (Temp. demasiado alta)	A temperatura medida é > 50 °C	Reduza a temperatura da amostra.
TEMP TOO LOW (Temp. demasiado baixa)	A temperatura medida é < 0 °C	Aumente a temperatura da amostra.
CURRENT TOO HIGH (Corrente demasiado alta)	A corrente medida é > 200 mA	Certifique-se de que o nível do removedor de oxigénio (hidrazina ou carbohidrazida) na água de processo está dentro dos limites de funcionamento do sensor. Calibre ou substitua o sensor.
CURRENT TOO LOW (Corrente demasiado baixa)	A corrente medida é < -0,5 mA	Calibre ou substitua o sensor.
CAL OVERDUE (Cal. exp.)	O tempo do lembrete de calibração expirou	Calibrar o sensor.
REPLACE SENSOR (Substituir sensor)	O sensor foi utilizado há > 365 dias	Substitua o cartucho do sensor e calibre o sensor. Se o resultado da calibração for aprovada, reponha os dias da membrana no menu DIAG/TEST (Diagnóstico/teste).
NOT CALIBRATED (Não calibrado)	O sensor não foi calibrado	Calibrar o sensor.
CAL IN PROGRESS (Cal. em and.)	A calibração foi iniciada mas não concluída	Voltar à calibração.

## Acessórios e peças de substituição

Consulte a secção referente às peças de substituição e acessórios da documentação do controlador para obter as peças e acessórios do mesmo.

**Nota:** Os número do produto e do artigo podem variar nalgumas regiões de venda. Para mais informações de contacto, contacte o distribuidor apropriado ou consulte o site web da empresa.

### Kit de peças sobresselentes para 2 anos - 09186=A=8000

Descrição	Quantidade	Item n.º
Filtro	6	363877,06000
Eléctrodo de referência	1	368429,00000
Bocal de injeção Venturi	1	359090,00024
Junta circular para bocal de injeção Venturi	1	356099,05090
Esferas de limpeza em plástico	7	588801,75008
Tubagem de 4 × 6 mm em PE	2 metros	151575,00006



## Célula de medição

Descrição	Item n.º
Célula de medição	09186=A=0100
Eléctrodo de referência	368429,00000
Eléctrodo de trabalho	09186=A=0300
Encaixe de entrada em cotovelo G1/8 DN 4/6	359103,10070
Encaixe de saída G1/8 DN6/8	359103,10055
Tampa NPT1/8	431=201=018
Garrafa de condicionamento com equipamento	09186=A=0200
Garrafa de vidro castanha	490=010=011
Cartucho poroso	09073=C=0340
Encaixe G1/8 DN4/6	359103,10065
Controlador de taxa de fluxo equipado	09186=A=0400
Encaixe de entrada G1/4 DN4/6	587=006=002
Encaixe em cotovelo curto G1/4 DN4/6	359103,10072
Encaixe em cotovelo longo G1/4 DN4/6	587=906=002
Fluxómetro	694=000=001
Encaixe em cotovelo NPT1/8 DN4/6	359103,10170

## Acessórios

Descrição	Item n.º
Cartucho para calibração zero química	09186=A=0600

# 目录

规格 第 138 页

基本信息 第 139 页

安装 第 142 页

启动 第 150 页

用户界面及导航 第 150 页

操作 第 153 页

维护 第 155 页

故障排除 第 155 页

更换零配件 第 156 页

## 扩展手册版本

更多信息请参阅制造商网站上提供的本手册的扩充版本。

## 规格

规格如有更改，恕不另行通知。


### 面板

规格	详细信息
尺寸	817 x 300 x 140 mm (32.2 x 11.8 x 5.5 in)
重量	14.6 kg (32.15 lbs)
样品流速	10—15 升/小时
工作压力	0.5—6 巴 (7—87 psi)
环境温度	0—60 °C (-32—140 °F)
相对湿度	10—90%
工作电极	铂金
对电极	不锈钢
基准	Ag / AgCl / KCl 0.1 M
测量元件	丙烯酸
样本调节剂	DIPA (二异丙胺)
欧洲标准	针对电磁兼容性的 EN 61326 A 级标准；针对低压安全性的 EN 601010-1 标准
国际标准	cETLus

### 传感器

规格	详细信息
测量范围	0—500 ppb 联胺；0—100 ppb 碳酰肼
灵敏度	< 0.2 ppb
重复性	1 ppb 或测量值的 $\pm 2\%$ ，取二者中较大数值
检测限值	$\leq 1$ ppb
响应时间	< 60 秒
样品温度测量范围	5—45 °C (41—113 °F)

## 控制器

规格	详细信息
组件说明	微处理器控制及菜单驱动的控制器的可操作传感器和显示测量值。
工作温度	-20 至 60 °C (-4 至 140 °F)；95% 相对湿度，传感器负载 <7 W 且无冷凝；-20 至 50 °C (-4 至 104 °F)，传感器负载 <28 W
存储温度	-20 至 70 °C (-4 至 158 °F)；95% 相对湿度，无冷凝
外壳 <sup>1</sup>	NEMA 4X/IP66 防护等级的金属外壳，带防腐蚀饰面
电源要求	<b>交流电源供电的控制器：</b> 100-240 VAC ±10%，50/60 Hz；功率：50 VA，带 7 W 传感器/网络模块负载；100 VA，带 28 W 传感器/网络模块负载（可选装 Modbus、RS232/RS485、Profibus DPV1 或 HART 网络连接）。 <b>24 VDC 电源供电的控制器：</b> 24 VDC—15%、+ 20%；功率：15 W，带 7 W 传感器/网络模块负载；40 W，带 28 W 传感器/网络模块负载（可选装 Modbus、RS232/RS485、Profibus DPV1 或 HART 网络连接）。
海拔要求	标准 2000m (6562ft) ASL（海平面上）
污染程度/安装类别	污染程度 2；安装类别 II
输出	两个模拟（0-20 mA 或 4-20 mA）输出。每个模拟输出都可分配代表一个实测参数，比如 pH 值、温度、流量或计算值等。可选模块另外提供三个模拟输出（共 5 个）。
继电器	四个 SPDT 型用户可配置触点，交流电源供电的控制器触点额定最大阻性为 250 VAC、5A，直流供电的控制器触点额定最大阻性为 24 VDC、5A。继电器可连接到交流电路（即无论何时，控制器可在 115 至 240 V 交流电源下工作）或直流电路（即无论何时，控制器可在 24 V 直流电源下工作）。
尺寸	½ DIN—144 x 144 x 180.9 mm (5.7 x 5.7 x 7.12 in.)
重量	1.7 kg (3.75 lb)
EMC 要求	EN61326-1: EMC 规定 <b>注：</b> 本产品为 A 类产品。在家庭环境中，本产品可能导致无线电干扰，在这种情况下可能要求用户采取适当的措施。
 Korean registration	<b>User Guidance for EMC Class A Equipment</b> 업무용을 위한 EMC 등급 A 장치에 대한 사용자 지침 사용자안내문 A 급 기기 ( 업무용 방송통신기자재 ) 이 기기는 업무용 (A 급 ) 전자파적합기기로서 판매자 또는 사용자는 이 점을 주의하시기 바 라며, 가정외의 지역에서 사용하는 것을 목적으로 합니다.
CE 认证	EN61010-1: 依据低电压指令 (LVD)
数字通信	可选 Modbus、RS232/RS485、Profibus DPV1 或 HART 网络连接，用于传输数据
数据记录	安全数字卡（最大 32 GB）或专用 RS232 电缆接头，用于记录数据、更新软件。控制器将为每个传感器保存约 20000 个数据点。
保修	2 年

## 基本信息

对于因本手册中的任何不足或遗漏造成的直接、间接、特别、附带或结果性损失，制造商概不负责。制造商保留随时更改本手册和手册中描述的产品的权利，如有更改恕不另行通知或承担有关责任。修订版可在制造商的网站上找到。

<sup>1</sup> 拥有美国保险商实验室 (UL) 认证的单元仅适用于室内使用，无 NEMA 4X/IP66 评级。

## 安全信息

### 注意

对于误用和滥用造成的产品损坏，制造商概不负责，包括但不限于：直接、附带和间接的损坏，并且对于适用法律允许的最大程度的损坏也不承担任何责任。用户唯一的责任是识别重大应用风险和安装适当的系统，以在设备可能出现故障时保护整个操作过程。

请在拆开本设备包装、安装或使用本设备前，完整阅读本手册。特别要注意所有的危险警告和注意事项。否则，可能会对操作者造成严重的人身伤害，或者对设备造成损坏。

确保设备提供的保护没有受损。请勿以本手册指定方式之外的其它方式使用或安装本设备。

### 危险品使用信息

#### ▲ 危险

表示潜在的或紧急的危险情况，如果不加以避免，将会导致死亡或严重伤害。

#### ▲ 警告

表示潜在或非常危险的情形，如不可避免，可能导致严重的人身伤亡。

#### ▲ 警告








表示潜在的危险情形，可能导致轻度或中度人身伤害。

### 注意

表明如不加以避免则会导致仪器损坏的情况。需要特别强调的信息。

### 预防标签

请阅读贴在仪器上的所有标签和标记。如未遵照这些安全标签的指示操作，则可能造成人身伤害或仪器损坏。仪器上的符号在手册中通过警告说明参考。

	这是安全警报标志。请遵守此标志后面的所有安全信息，以避免可能造成的伤害。如果仪器上有此标志，则请参见仪器手册，了解操作或安全信息。
	此标志指示存在电击和/或触电死亡危险。
	此标志指示存在静电释放（ESD）敏感的设备，且必须小心谨慎以避免设备损坏。
	产品上出现该符号时，表明仪器已连接交流电。
	标有此符号的电气设备在欧洲不能通过家庭或公共垃圾系统进行处理。请将老旧或报废设备寄回至制造商处进行处置，用户无需承担费用。
	带有该符号的产品表明该产品包含有毒或危险的物质或成分。该符号内的数字表明环保使用期限(年)。
	标记该符号的产品表示该产品符合韩国的相关标准。

### 认证

加拿大无线电干扰产生设备法规（Canadian Radio Interference-Causing Equipment Regulation），IECS-003，A类：

制造商支持测试记录留存。

此 A 类数字设备符合加拿大干扰产生设备法规的所有要求。

### **FCC 第 15 部分，“A”类限制**

制造商支持测试记录留存。该设备符合 FCC 规定第 15 部分的要求。设备操作满足以下两个条件：

1. 本设备不会造成有害干扰。
2. 本设备必须接受任何接收到的干扰，包括可能导致意外操作的干扰。

若未经负责出具符合声明的一方明确同意擅自对本设备进行改动或改装，可能会导致取消用户操作该设备的权限。本设备已经过测试，符合 FCC 规定第 15 部分中确定的 A 类数字设备限制。这些限制专门提供当设备在商业环境下工作时针对有害干扰的合理保护。该设备产生、使用和放射无线电射频能量，如果不按照说明手册的要求对其进行安装和使用，可能会对无线电通讯造成有害干扰。本设备在居民区工作时可能会产生有害干扰，这种情况下用户须自行承担费用消除这种干扰。以下方法可用于减少干扰问题：

1. 断开设备的电源，以便确证它是干扰源与否。
2. 如果设备与遭受干扰的仪器连接到相同的插座，将设备连接到其他插座。
3. 将设备从接受干扰的仪器边上移开。
4. 重新定位受干扰仪器的接收天线。
5. 同时尝试以上多项措施。

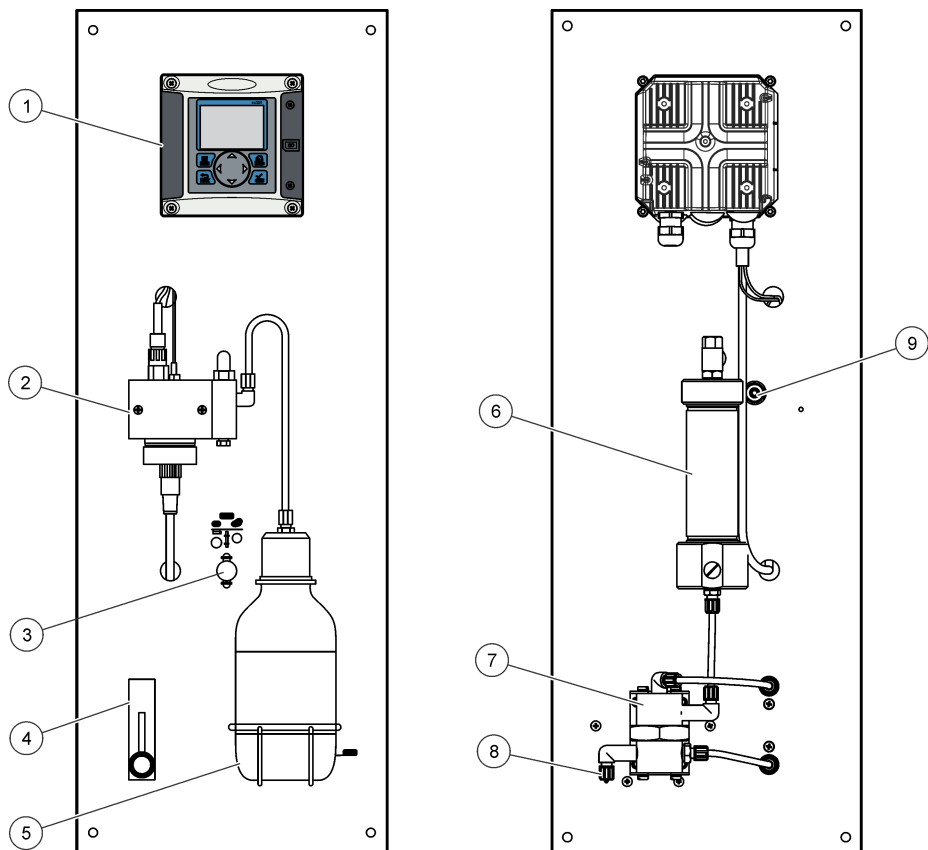
## **产品组件**

确保已收到所有组件。如有任何物品丢失或损坏，请立即联系制造商或销售代表。

## 产品概述

该分析仪设计用于连续测量水中氧清除剂（联氨或碳酰肼）的含量。

图 1 正面和背面视图



1 控制器	6 化学物品零滤筒（可选）
2 测量元件	7 压力调节器
3 化学品归零开启/关闭（可选）	8 样品进口，4/6 mm 导管
4 流量计	9 样品排放，6/8 mm 导管，大气压力
5 样本调整瓶（二异丙醇胺）	

## 安装

### ▲ 警告



多种危险。只有合规的专业人员才能从事文档中本部分所述的任务。

## 分析仪安装

### ▲警告

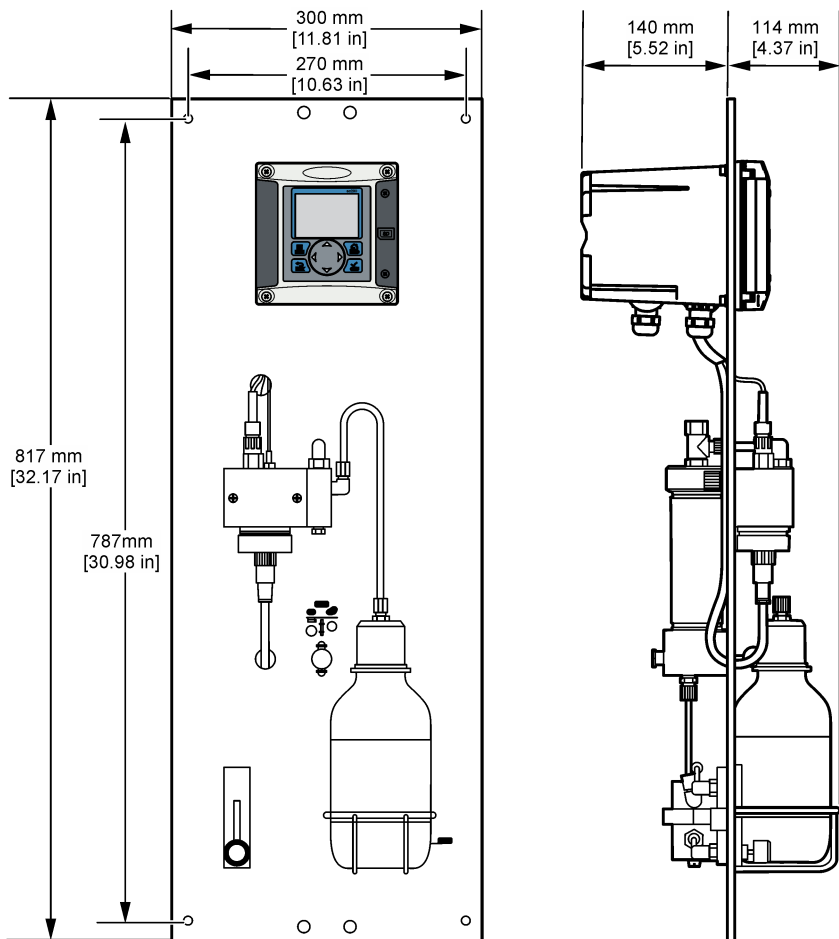
存在人身伤害危险。仪器或部件很重。使用协助资源进行安装或移动。确保墙式安装能够承受设备 4 倍的重量。

### 注意

为确保准确度，分析仪务必垂直对齐。

将分析仪放置到稳固的垂直面上。使用水平仪确保分析仪完全垂直。请参阅应遵守的指南。

- 将仪器放置在便于操作、维修和校准的位置。
- 确保能够良好地查看显示屏和控制装置。
- 确保仪器远离火源。
- 确保仪器不受振动。
- 确保样品管线尽量短，以最大程度加快响应时间。
- 确保样品供给管线中没有空气进入。

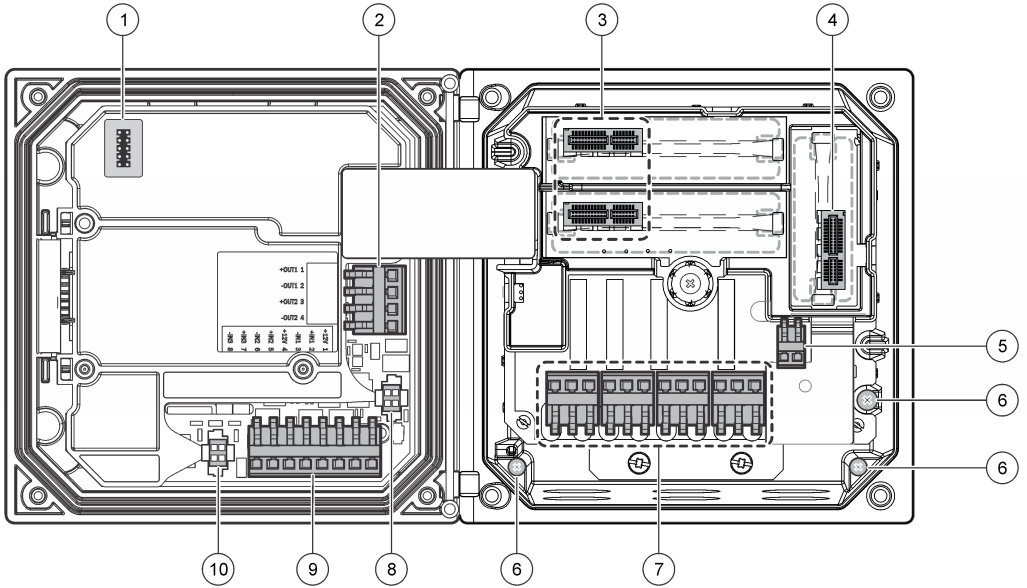


## 布线概述

图 2 显示在卸下高电压防护层的情况下，控制器内部接线连接概览。图左侧显示控制器盖的背部。

**注：** 在模块安装前取下连接器上的接头盖帽。

图 2 接线连接概览



1 维修服务电缆连接	5 交流和直流电源连接器 <sup>2</sup>	9 <sup>2</sup>
2 4-20 mA 输出 <sup>2</sup>	6 接地端子	10 数字传感器连接器 <sup>2</sup>
3 传感器模块连接器	7 继电器连接 <sup>2</sup>	
4 通信模块连接器（如 Modbus、Profibus、HART、可选装 4-20 mA 模块等）	8 数字传感器连接器 <sup>2</sup>	

## 高电压防护层

控制器的高电压配线位于控制器外壳中高电压防护层的后面。除非安装了模块或合格的安装技术人员布线电源、报警、输出或继电器，否则必须配备防护层。在对控制器上电时，不要卸下防护层。

## 电源接线

### ⚠ 警告



可能存在电击致命危险。进行任何电气连接时，请务必断开仪器的电源。

### ⚠ 警告



可能存在电击致命危险。如果此设备在户外或在可能潮湿的场所使用，则必须使用**防高压触电**装置将此设备连接到其电源。

<sup>2</sup> 可以卸下端子以方便进入。



## ⚠ 危险



存在电击致命危险。请勿将交流电源连接到 24V 直流电源型号中。

## ⚠ 警告



可能存在电击致命危险。100-240 VAC 和 24 VDC 的布线应用均需要接地 (PE) 地线。由于存在电磁干扰，未连接接地良好的地线可能导致电击致命危险及设备性能差。始终将接地良好的地线连接到控制器端子。

## 注意

请将设备安装在便于切断设备开关和其操作的场所和位置。

控制器有 100-240V 交流供电的型号或 24V 直流供电的型号可供选购。请遵照所购型号的相关接线说明操作。

控制器可采取导线管硬接线连接电源或连接到电源线。不管使用的电线如何，都将在相同端子进行连接。为符合当地的电气规范，应有本地断开设计，且应视为针对所有的安装类型。在硬接线应用中，仪器的电源线和安全接地线必须为 18 至 12 AWG。请确保现场所用电缆线的绝热性不低于 80 度或 176 华氏度。

### 注：

- 在进行任何电气连接前，必须拆除电压防护层。进行所有连接后，在闭合控制器盖前将电压防护层放回原位。
- 为了保持 NEMA 4X/IP66 环境防护等级，可使用密封型抗拉装置和长度小于 3 米（10 英尺）带三个 18-gauge 导子的电源线（包括一根安全地线）。
- 可订购带预安装交流电源线的控制器。也可订购其他电源线。
- 为 24V 直流供电的控制器供电的直流电流必须稳压在指定的 24 VDC-15% +20% 电压限度内。直流电源还必须提供充分的浪涌和线路瞬态保护。

### 接线程序

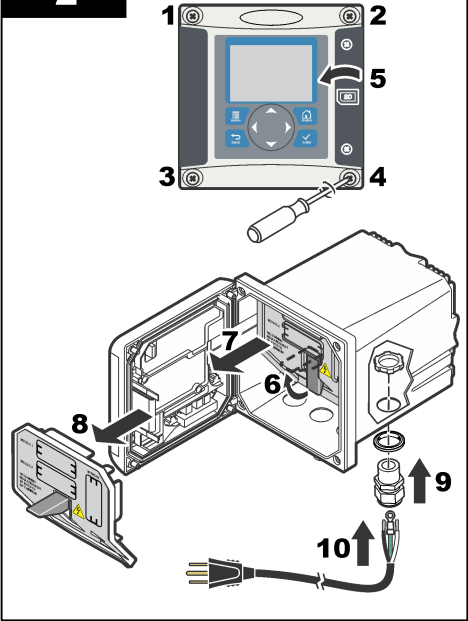
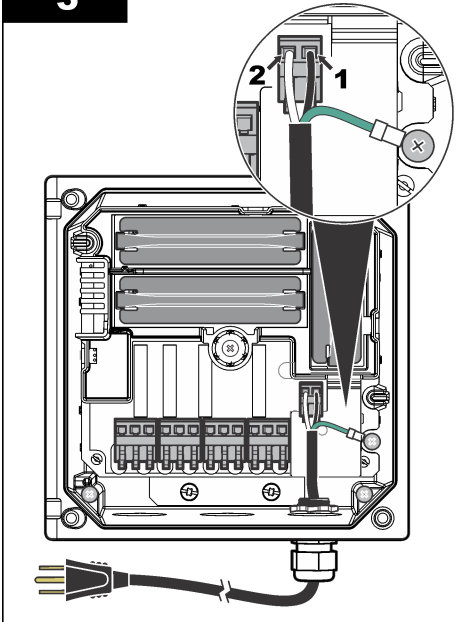
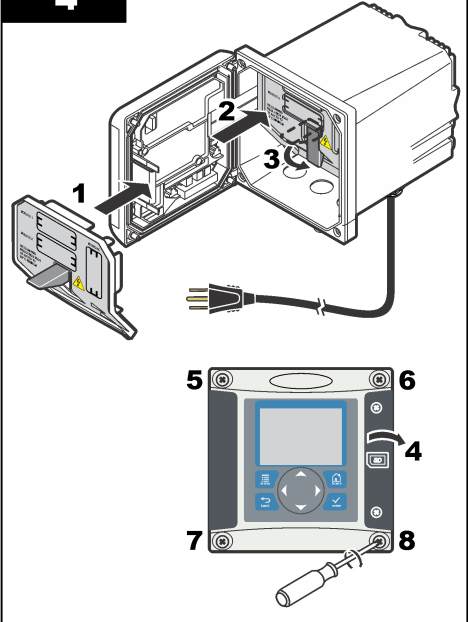
请参阅所示步骤及表 1 或表 2 来连接控制器的电源线。将所有电线插入相应的端子，直到对连接器绝缘且无裸线暴露在外为止。插入之后轻轻拉拔，以确保牢固连接。用导管开口密封塞密封所有控制器上不使用的开口。

表 1 交流电源接线信息（仅限使用交流电源的型号）

端子	说明	色彩—北美	色彩—欧盟
1	火线 (L1)	黑色	棕色
2	中性线 (N)	白色	蓝色
—	保护性地线 (PE) 接地片	绿色	带有黄色条纹的绿色

表 2 直流电源接线信息（仅限直流供电型号）





端子	说明	色彩 - 北美	颜色—欧盟
1	+24 VDC	红色	红色
2	24 VDC 逆流	黑色	黑色
—	保护性地线 (PE) 接地片	绿色	带有黄条纹的绿色

**1****2****3****4**

### 报警和继电器

控制器配备四个未加电、单极继电器，额定最大阻性为 100-250 VAC，50/60 Hz，5A。交流供电的控制器触点的额定最大阻性为 250 VAC、5A，而直流供电的控制器触点的额定最大阻性为 24 VDC、5A。继电器无额定电感负载。

## 继电器接线


<b>▲ 警告</b>	
	可能存在电击致命危险。进行任何电气连接时，请务必断开仪器的电源。
<b>▲ 警告</b>	
	可能存在火灾危险。继电器触点的额定电流为 5A，且不会熔化。连接到继电器的外部负载必须配备限流装置，将电流限制为 5A 以下。
<b>▲ 警告</b>	
	可能存在火灾危险。日常不要束缚公共继电器连接或仪器内电源连接的跳线。
<b>▲ 警告</b>	
	可能存在电击致命危险。为了保持外壳的 NEMA/IP 环境保护等级，仅限使用至少为 NEMA 4X/IP66 防护等级的导线管配件和电缆衬垫，以将电缆接入仪器。

### 交流线路 (100—250 V) 供电的控制器

<b>▲ 警告</b>	
	可能存在电击危险。交流电源供电的控制器 (115 V—230 V) 设计用于将继电器连接至交流电源电路（例如，电压高于 16 V-RMS、22.6 V-PEAK 或 35 VDC）。

接线室不得进行超过 250V 的交流电压连接。

### 24V 直流供电的控制器

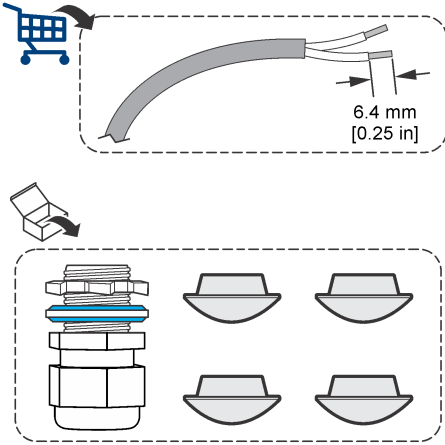
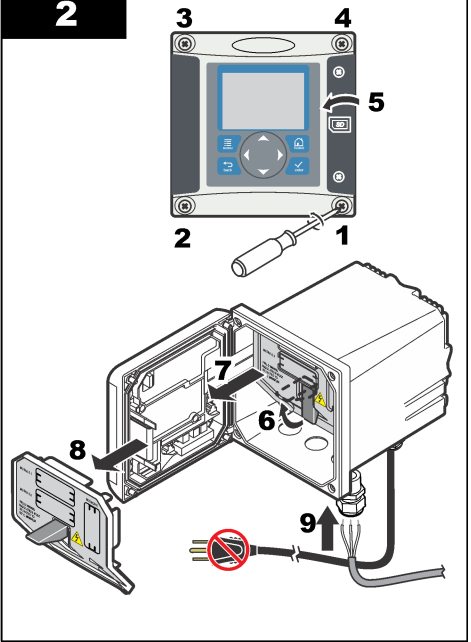
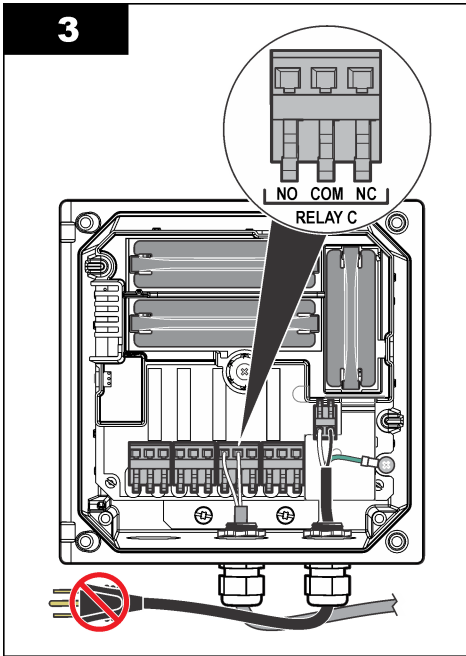
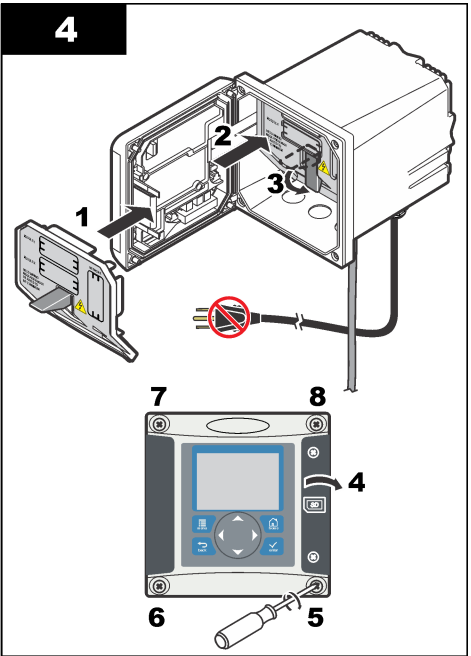
<b>▲ 警告</b>	
	可能存在电击危险。工作电压 24 V 的控制器设计用于将继电器连接至低电压电路（例如，电压低于 16 V-RMS、22.6 V-PEAK 或 35 VDC）。

24 VDC 控制器继电器可连接到低压电路（比如电压低于 30 V-RMS、42.2 V-PEAK 或 60 VDC）。接线室不得进行超过上述水平的电压连接。

中继器接头使用 18-12 AWG 电线（由负载情况决定）。不推荐使用线号小于 18 AWG 的电线。请确保现场所用电缆线的绝热性不低于 80 度或 176 华氏度。

激活警报或其他状态后，“常开”(NO) 和“公共”(COM) 继电器触点将连接起来。去激活警报或其他状态后（除非“Fail Safe（失效安全）”设为“是”），或断开控制器的电源后，“常关”(NC) 和“公共”(COM) 继电器触点将连接起来。

大多数继电器连接使用 NO 和 COM 端子或 NC 和 COM 端子。编号的安装步骤说明如何连接到 NO 和 COM 端子。

**1****2****3****4**

## 模拟输出连接

### 警告



可能存在电击致命危险。进行任何电气连接时，请务必断开仪器的电源。

### 警告



可能存在电击致命危险。为了保持外壳的 NEMA/IP 环境防护等级，仅限使用至少为 NEMA 4X/IP66 防护等级的导线管配件和电缆衬垫，以将电缆接入仪器。

设备配有两个独立的模拟输出（1 和 2）（图 3）。这些输出常用于模拟信号或控制其他外部设备。对控制器进行配线连接，如图 3 和表 3 所示。

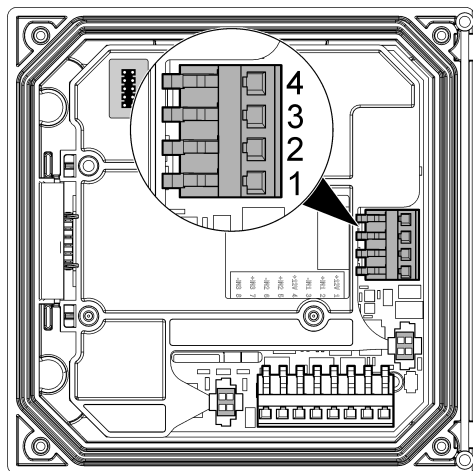
**注：**图 3 显示控制器盖的背部，而不是主控制器室的内部。

表 3 输出连接

记录器电线	电路板位置
输出 2-	4
输出 2+	3
输出 1-	2
输出 1+	1

1. 打开控制器盖。
2. 通过抗拉装置插入电线。
3. 在必要时调整电线，并紧固抗拉装置。
4. 使用双绞屏蔽线进行连接，以及连接受控组件末端或控制环路末端的屏蔽罩。
  - 请勿连接电缆两端的屏蔽罩。
  - 使用非屏蔽电缆可能会导致射频发射或磁化级别高于所允许的范围。
  - 最大环路电阻为 500 欧姆。
5. 合上控制器盖并紧固盖用螺钉。
6. 配置控制器中的输出。

图 3 模拟输出连接



## 连接可选数字通信输出



制造商支持 Modbus RS485、Modbus RS232、Profibus DPV1 和 HART 通信协议。可选数字输出模块安装在图 2 第 144 页 中第 4 项指明的位置。请参阅网络模块随附的说明，了解更多详情。

## 装设采样和排放管线

将采样和排放管线连接到面板背面的接头上。

1. 将采样管线连接至外径为 4/6 mm 的进样管接头。
2. 将排放管线连接至外径为 6/8 mm 的排放管接头。确保排放管线尽量短，压力为大气压力。

## 安装试剂

<b>▲ 警告</b>	
 	化学品暴露风险。遵守实验室安全规程，穿戴适用于所处理化学品的所有个人防护装备。有关安全规程，请参阅当前安全数据表(MSDS/SDS)。

1. 在空样品调节瓶中装入二异丙胺（DIPA），并在贴在调节瓶上的空白标签上记录危险的试剂详情。
2. 在分析仪前部安装样品调整瓶。
3. 将提供的导管连至测量元件。将导管完全安装到调节溶液瓶中。确保导管接头已拧紧，以避免调整瓶中的烟气漏到大气中。
4. 如果使用化学物品零滤筒，则将其安装在分析仪后部。

## 启动

确保流速和压力均不超过 规格 第 138 页 中的规定值。

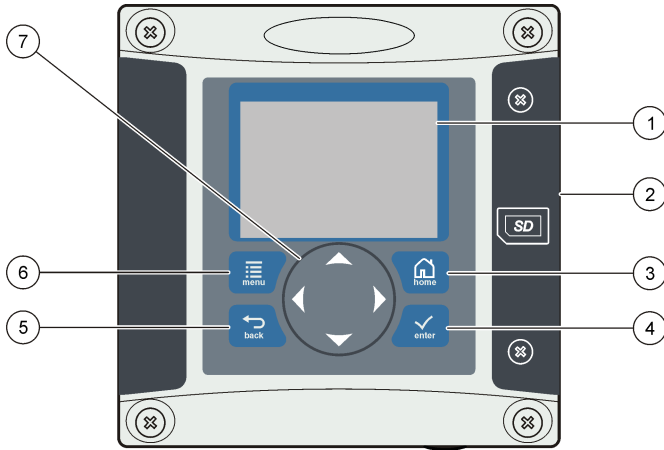
1. 打开样品管线的阀门，让样品流经分析器。
2. 旋转流量计上的旋钮，设置流速。
3. 检查管线中是否存在泄漏问题，如果发现有泄漏，则解决该问题。
4. 接通控制器电源。
5. 启动控制器后，选择适用的菜单选项。

## 用户界面及导航

### 用户界面

键盘有四个菜单键和四个方向键（如图 4 所示）。

图 4 键盘和面板概览



<p><b>1</b> 仪器显示屏</p>	<p><b>5</b> <b>Back</b> 键。在菜单层次结构中后退一层。</p>
<p><b>2</b> 安全数码存储卡插槽盖</p>	<p><b>6</b> <b>Menu</b> 键。从其他屏幕和子菜单转到 <b>Settings Menu</b> (设置菜单)。</p>
<p><b>3</b> <b>HOME</b> 键。从其他屏幕和子菜单转到 <b>Main Measurement</b> (主测量) 屏幕。</p>	<p><b>7</b> 方向键。用于导航菜单、更改设置及增加或减小数字。</p>
<p><b>4</b> <b>ENTER</b> 键。接受输出值、更新或显示的菜单选项。</p>	

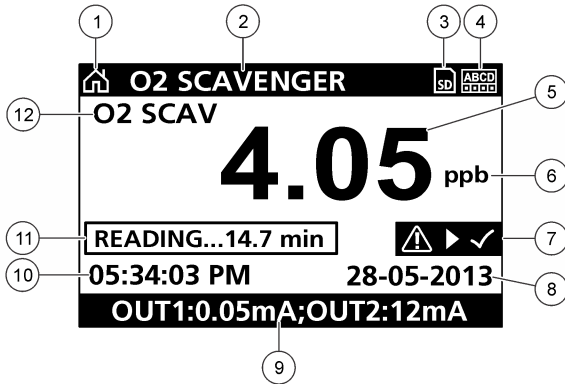
用户可通过面板使用键盘和显示屏设置和配置输入和输出。此用户界面用于设置和配置输入和输出、创建日志信息与计算值以及校准传感器。SD 接口可用于保存日志及更新软件。

## 显示屏

图 5 显示当传感器连接到控制器时的主测量屏示例。

面板显示屏显示传感器测量数据、校准和配置设置、错误、警告和其他信息。

图 5 主测量屏示例



1 Home (起始) 屏幕图标	7 警告状态条
2 传感器名称	8 日期
3 SD 内存卡图标	9 模拟输出数值
4 继电器状态指示器	10 时间
5 测量值	11 进度条
6 测量单位	12 测量参数

表 4 图标说明

图标	说明
Home (起始) 屏幕	该图标可能因显示的屏幕或菜单而有所不同。例如，如果安装了 SD 卡，当用户进入“SD Card Setup (SD 卡设置)”菜单时，SD 卡图标会显示在该位置。
SD 内存卡	只有在 SD 卡插入读卡器插槽时，才会显示此图标。当用户进入“SD Card Setup (SD 卡设置)”菜单时，此图标显示在左上角。
警告	警告图标是三角形，中间带有感叹号。警告图标出现在主显示屏右侧的测量值下方。按 <b>ENTER</b> 回车键，然后选择设备以查看与设备相关的任何问题。当已经纠正或确认所有问题时，不再显示警告图标。
错误	错误图标是圆圈，中间带有感叹号。出现错误时，错误图标和测量屏幕在主显示屏内交替闪烁。要查看错误，按 <b>MENU (菜单)</b> 键并选择 <b>Diagnostics (诊断)</b> 。然后选择设备，以查看与该设备相关的任何问题。

### 其他显示格式

- 从主测量屏幕按**向上**和**向下**箭头键在测量参数之间切换。
- 从主测量屏幕按**向右**箭头键切换为分屏显示最多 4 个测量参数。按**向右**箭头键包含其他测量值。根据需要按**向左**箭头键返回主测量屏幕。
- 从主测量屏幕按**向左**箭头键切换为图形显示（请参阅 **图形显示** 第 152 页 定义参数）。按**向上**和**向下**箭头键切换测量图。

### 图形显示

图形显示每个在用通道的浓度和温度测量值。图形方便监控趋势并显示制程变化。



1. 从图形显示屏幕使用向上和向下箭头键选择图形并按 **HOME (主页)** 键。
2. 选择一个选项:

选项	说明
<b>MEASUREMENT VALUE (测量值)</b>	设置所选通道的测量值。在 <b>AUTO SCALE (自动缩放)</b> 和 <b>MANUALLY SCALE (手动缩放)</b> 之间选择。要采用手动缩放, 输入最小和最大测量值。
<b>DATE &amp; TIME RANGE (日期和时间范围)</b>	从可用选项中选择日期和时间范围。

## 操作

### 配置传感器

使用 **CONFIGURE (配置)** 菜单输入传感器的识别信息并更改数据处理和储存选项。

1. 按**菜单**键, 选择 **SENSOR SETUP (传感器设置) > CONFIGURE (配置)**。
2. 使用箭头键选择一个选项并按 **Enter**。要输入数字、字符或标点, 按住**向上**或**向下**箭头键。按**向右**箭头键转到下一空格。

选项	说明
<b>EDIT NAME (编辑名称)</b>	更改测量屏幕顶端上传感器对应的名称。名称最多可包含 <b>16</b> 个字符, 可以是字母、数字、空格或标点的任意组合。
<b>传感器序列号</b>	允许用户输入传感器序列号, 限于字母、数字、空格或标点任何组合的 <b>16</b> 个字符。
<b>MEAS UNITS (测量单位)</b>	更改测量单位 — 从提供的列表选择单位。
<b>TEMP UNITS (温度单位)</b>	将温度单位设为 <b>°C (默认值)</b> 或 <b>°F</b>
<b>FILTER (过滤器)</b>	设置时间常数, 以增加信号的稳定性。时间常数可计算特定时间内的平均值— <b>0 (无影响, 默认值)</b> 至 <b>60 秒 (60 秒的信号平均值)</b> 。过滤器将增加传感器信号响应过程中实际变化的时间。
<b>LOG SETUP (日志设置)</b>	设置数据日志中数据存储的时间间隔— <b>5 秒、30 秒、1 分钟、2 分钟、5 分钟、10 分钟、15 分钟 (默认值)、30 分钟和 60 分钟</b> 。
<b>重置默认值</b>	将配置菜单设为默认设置。此时, 所有的传感器信息将会丢失。

## 校准

### 关于传感器校准

传感器特性会随着时间的推移缓慢变化, 并导致传感器丧失准确性。必须定期校准传感器以保持准确性。校准频率根据应用而有所不同, 且最好根据经验确定校准频率。

### 温度校准

建议每年校准一次温度传感器。先校准温度传感器再校准测量传感器。

1. 使用精确的温度计或单独的仪器测量水温。
2. 按**菜单**键并选择 **SENSOR SETUP (传感器设置) > CALIBRATE (校准)**。
3. 如果控制器安全菜单设有密码, 则输入密码。
4. 选择 **1 PT TEMP CAL (1 点温度校准)** 并按 **Enter**。
5. 显示原始温度数值。按 **Enter**。
6. 如果与显示值不同, 则输入正确数值并按 **Enter**。
7. 按 **Enter** 确认校准。显示温度偏移。

## 零校准

零值已经过工厂校准。使用零校准程序定义传感器的唯一零点。

1. 如果样本浓度 < 10 ppb，则建议最好选用零校准滤筒（参考[更换零配件](#) 第 156 页），并将传感器留在原地不动。否则应从处理液中拆除传感器，并用蒸馏水冲洗。
2. 按**菜单**键并选择 SENSOR SETUP（传感器设置）>CALIBRATE（校准）。
3. 如果控制器安全菜单设有密码，则输入密码。
4. 选择 ZERO CAL（零校准）并按 **Enter**。
5. 在校准过程中选择输出信号的选项：

选项	说明
ACTIVE（有效）	仪器在校准过程中发送当前测量的输出值。
HOLD（保持）	传感器输出值在校准过程中保持为当前测量值。
TRANSFER（转换）	在校准过程中发送预设的输出值。要更改预设值，请参阅控制器用户手册。

6. 如果不选用零校准滤筒，请将干净的传感器放入不含联氨的溶液中，如超纯水中，按 **Enter**。
7. 等待一小时，直到数值稳定，并按 **Enter**。
8. 查看校准结果：
  - PASS（成功）- 传感器已校准并显示偏差。
  - FAIL（失败）—校准超出可接受范围。清理传感器并重试。有关详细信息，请参考[故障排除](#) 第 155 页。
9. 如果校准合格，则按 **Enter** 继续。
10. 如果在 CAL OPTIONS（校准选项）菜单中将操作员 ID 的选项设置为 YES（是），则输入操作员 ID。请参阅 [更改校准选项](#) 第 155 页。
11. 在 NEW SENSOR（新传感器）屏幕上，选择传感器是否是新的：

选项	说明
是	传感器之前未通过此控制器校准。传感器的运行天数和之前的校准曲线将重置。
否	传感器之前已通过此控制器校准。

12. 如未选用零校准滤筒，请将传感器放回处理液中，并按 **Enter**。输出信号恢复激活状态，且测量屏幕上将显示测量的试样值。  
**注：** 如果输出模式设为保持或转换，则选择输出恢复激活状态的延迟时间。

## 处理样本校准

传感器可留在处理样本中。

1. 按**菜单**键并选择 SENSOR SETUP（传感器设置）>CALIBRATE（校准）。
2. 如果控制器安全菜单设有密码，则输入密码。
3. 选择 SAMPLE CAL（样本校准）并按 **Enter**。
4. 在校准过程中选择输出信号的选项：

选项	说明
ACTIVE（有效）	仪器在校准过程中发送当前测量的输出值。
HOLD（保持）	传感器输出值在校准过程中保持为当前测量值。
TRANSFER（转换）	在校准过程中发送预设的输出值。要更改预设值，请参阅控制器用户手册。

5. 当传感器位于处理样本中时，按 **Enter**。显示测量值。等待数值稳定并按 **Enter**。
6. 用合格的二次验证仪器测量样本的浓度值。为防止样本中混入杂质，请在样本进入流室前进行测量。如果数值与显示的不同，则使用箭头键输入该数值并按 **Enter**。
7. 查看校准结果：

- PASS（成功）- 传感器已校准，显示校准系数。
- FAIL（失败）—校准超出可接受范围。清理传感器并重试。有关详细信息，请参考[故障排除](#)第 155 页。

8. 如果校准合格，则按 **Enter** 继续。

9. 如果在 CAL OPTIONS（校准选项）菜单中将操作员 ID 的选项设置为 YES（是），则输入操作员 ID。请参阅 [更改校准选项](#) 第 155 页。

10. 在 NEW SENSOR（新传感器）屏幕上，选择传感器是否是新的：

选项	说明
是	传感器之前未通过此控制器校准。传感器的运行天数和之前的校准曲线将重置。
否	传感器之前已通过此控制器校准。

11. 当传感器仍在处理过程中时，按 **Enter**。输出信号恢复激活状态，且测量屏幕上将显示测量的试样值。

**注：** 如果输出模式设为保持或转换，则选择输出恢复激活状态的延迟时间。

## 更改校准选项

用户可以从该菜单中设置校准提示或添加操作员 ID 和校准数据。

1. 按**菜单**键并选择 SENSOR SETUP（传感器设置）>CALIBRATE（校准）。
2. 如果控制器的安全菜单设有密码，则输入密码。
3. 选择 CAL OPTIONS（校准选项）并按 **Enter**。
4. 使用箭头键选择一个选项并按 **Enter**。

选项	说明
校准提示	设置提示下一次校准的时间，可用天数、月数或年数表示——从列表中选择需要延迟的时间。
校准操作员 ID	包括操作员 ID 和校准数据 — YES（是）或 NO（否）（默认设置）。在校准过程中输入 ID。

## 维护

### ▲ 危险

多种危险。只有具备资格的专业人员才能从事本节所述任务。

## 清洗与去污

### ▲ 危险

在进行维护操作前，请务必切断控制器的电源。

分析仪一般不要求清洗或去污。如有必要，请用湿布和温和肥皂水清洁仪器表面。不得使用松节油、丙酮等清洁剂以及类似产品清洗一起，包括清洗显示屏和配件。

## 故障排除

### 警告列表

警告图标是三角形，中间带有感叹号。警告图标出现在主显示屏右侧的测量值下方。警告不会影响菜单操作、继电器和电流输出。要查看警告，按**菜单**键并选择 DIAGNOSTICS（诊断）。然后选择设备以查看与该设备相关的任何问题。已经纠正或确认问题时，不再显示警告图标。

可能的警告列表如[表 5](#)所示。

表 5 氧清除剂传感器警告列表

警告	说明	解决方法
O2 SCAVENGER 过高	测量值大于 10000 ppm	确保制程水中的氧清除剂（联氨或碳酰肼）含量位于传感器操作极限之内。校准或更换传感器。
O2 SCAVENGER 过低	测量值小于 0 ppm	校准或更换传感器。
TEMP TOO HIGH（温度太高）	测量温度大于 50 °C	降低样本温度。
TEMP TOO LOW（温度过低）	测量温度小于 0 °C	增加样本温度。
电流过高	测量电流 > 200 mA	确保制程水中的氧清除剂（联氨或碳酰肼）含量位于传感器操作极限之内。校准或更换传感器。
电流过低	测量电流 < -0.5 mA	校准或更换传感器。
校准过期	“校准提示”时间到期	校准传感器。
REPLACE SENSOR（更换传感器）	传感器运行已超过 365 天	更换传感器仓并校准传感器。如果校准结果合格，请在 DIAG/TEST（诊断/测试）菜单中重设薄膜使用天数。
未校准	传感器尚未校准	校准传感器。
校准进行中	校准已开始但尚未完成	返回到校准。

## 更换零配件

请参见控制器文档的更换零配件章节查询控制器零配件。

**注：** 不同区域销售的产品和料号可能有所不同。请与相关分销商联系或参阅公司网站上的联系信息。

### 2 年备件包 - 09186=A=8000

说明	数量	物品编号
过滤器	6	363877,06000
基准电极	1	368429,00000
文丘里喷嘴	1	359090,00024
文丘里喷嘴 O 型圈	1	356099,05090
塑料清洁球	7	588801,75008
4 × 6 mm PE 管道	2 米	151575,00006

### 测量信元

说明	物品编号
测量信元	09186=A=0100
基准电极	368429,00000
工作电极	09186=A=0300
入口弯管接头 G1/8 DN 4/6	359103,10070
出口接头 G1/8 DN6/8	359103,10055
塞子 NPT1/8	431=201=018
设备和调整瓶	09186=A=0200
棕色玻璃瓶	490=010=011

## 测量信元 (续)

说明	物品编号
多孔滤筒	09073=C=0340
接头 G1/8 DN4/6	359103,10065
配备的流速控制器	09186=A=0400
入口接头 G1/4 DN4/6	587=006=002
短弯管接头 G1/4 DN4/6	359103,10072
长弯管接头 G1/4 DN4/6	587=906=002
流量计	694=000=001
弯管接头 NPT1/8 DN4/6	359103,10170

## 配件

说明	物品编号
化学物品零校准滤筒	09186=A=0600

# Obsah

[Technické údaje](#) na straně 158

[Obecné informace](#) na straně 160

[Instalace](#) na straně 162

[Spuštění](#) na straně 171

[Uživatelské rozhraní a navigační tlačítka](#)  
na straně 171

[Provoz](#) na straně 174

[Údržba](#) na straně 177

[Řešení problémů](#) na straně 177

[Náhradní díly a příslušenství](#) na straně 178

## Rozšířená verze příručky

Další informace najdete v rozšířené verzi tohoto návodu, který je dostupný na webových stránkách výrobce.

## Technické údaje

Technické údaje podléhají změnám bez předchozího upozornění.

### Panel

Technické parametry	Podrobnosti
Rozměry	817 x 300 x 140 mm (32,2 x 11,8 x 5,5 in)
Hmotnost	14,6 kg (32,15 lbs)
Rychlost průtoku vzorku	10–15 litrů/hodinu
Pracovní tlak	0,5 - 6 bar (7 - 87 psi)
Teplota prostředí	0–60 °C (32–140 °F)
Relativní vlhkost	10–90 %
Pracovní elektroda	Platina
Protější elektroda	Nerezová ocel
Referenční elektroda	Ag / AgCl / KCl 0.1 M
Měřicí elektroda	Akryl
Roztok pro přípravu vzorku	DIPA (diizopropylamin)
Evropské standardy	EN 61326, třída A pro EMC; EN 601010-1 pro bezpečnost nízkonapěťových zařízení
Mezinárodní standardy	cETLus

### Senzor

Technické parametry	Podrobnosti
Měřicí rozsah	0–500 ppb hydrazinu; 0–100 ppb karbohydrazidu
Citlivost	< 0,2 ppb
Opakovatelnost	1 ppb nebo $\pm 2$ % měření podle toho, která hodnota je vyšší
Mez detekce	$\leq 1$ ppb
Doba odezvy	< 60 sekundy
Rozsah měření teplot vzorku	5–45 °C (41–113 °F)

## Kontrolér

Specifikace	Podrobnosti
Popis komponent	Mikroprocesorově řízený kontrolér ovládaný systémem nabídek, který ovládá senzor a zobrazuje naměřené hodnoty.
Provozní teplota	-20 až 60 °C (-4 až 140 F); 95% relativní vlhkost, bez kondenzace při zátěži senzoru <7 W; -20 až 50 °C (-4 až 104 F) při zátěži senzoru <28 W
Skladovací teplota	-20 až 70 °C (-4 až 158 F); 95% relativní vlhkost, bez kondenzace
Kryt <sup>1</sup>	Kovová skříň třídy NEMA 4X/IP66 s povrchovou úpravou proti korozi
Požadavky na napájení	<p><b>Kontrolér napájený střídavým proudem:</b> 100-240 V ±10%, 50/60 Hz; příkon 50 VA při zátěži senzorového/síťového modulu 7 W, 100 VA při zátěži senzorového/síťového modulu 28 W (volitelně síťové připojení Modbus, RS232/RS485, Profibus DPV1 nebo HART).</p> <p><b>Kontrolér napájený stejnosměrným proudem o napětí 24 V:</b> 24 V—15%, + 20; příkon 15 W při zátěži senzorového/síťového modulu 7 W, 40 W při zátěži senzorového/síťového modulu 28 W (volitelně síťové připojení Modbus, RS232/RS485, Profibus DPV1 nebo HART).</p>
Požadavky na nadmořskou výšku	Standardně 2000 m (6562 stop) nad mořem.
Kategorie stupně znečištění/instalace	Stupeň znečištění 2; kategorie instalace II
Výstupy	Dva analogové výstupy (0-20 mA nebo 4-20 mA). Každý analogový výstup může představovat měřený parametr, jako například pH, teplotu, průtok nebo vypočítané hodnoty. Volitelný modul obsahuje tři další analogové výstupy (celkem 5).
Relé	Čtyři uživatelem konfigurované kontakty SPDT jsou dimenzované na 250 VAC, max. 5 A u kontroléru na střídavý proud a na 24 VDC, max. 5 A u kontroléru na stejnosměrný proud. Relé se přiřazují přípojkám k obvodům vedení střídavého proudu (tj. když provozujete kontrolér s napájením 115 - 240 VAC) nebo obvodům stejnosměrného proudu (tj. když provozujete kontrolér s napájením 24 VDC).
Rozměry	1/2 DIN—144 x 144 x 180,9 mm (5,7 x 5,7 x 7,12 palce)
Hmotnost	1.7 kg (3.75 libry)
Požadavky EMC	EN61326-1: Směrnice EMC <b>Poznámka:</b> Toto je produkt Třídy A. V domácím prostředí může tento výrobek způsobit rádiové rušení. V takovém případě by měl uživatel učinit náležitá opatření.
 Korean registration	<p><b>User Guidance for EMC Class A Equipment</b></p> <p>업무용을 위한 EMC 등급 A 장치에 대한            사용자 지침            사용자안내문            A 급 기기 ( 업무용 방송통신기자재 )            이 기기는 업무용 (A 급) 전자파적합기기로서 판매자 또는 사용자는 이 점을 주의하시기 바라며, 가정외의 지역에서 사용하는 것을 목적으로 합니다.</p>
Soulad s ustanoveními EK	EN61010-1: Směrnice pro nízké napětí
Digitální komunikace	Volitelně síťové připojení Modbus, RS232/RS485, Profibus DPV1 nebo HART pro přenos dat

<sup>1</sup> Jednotky, které mají certifikaci Underwriters Laboratories (UL), jsou určeny pouze pro vnitřní použití a nemají klasifikaci NEMA 4X/IP66.

Specifikace	Podrobnosti
Protokolování dat	Karta SD (Secure Digital) s kapacitou max. 32 GB nebo speciální kabelový konektor RS232 pro protokolování dat a aktualizování softwaru. Kontrolér uchovává přibližně 20 000 datových bodů pro každý senzor.
Záruka	2 roky

## Obecné informace

Výrobce není v žádném případě zodpovědný za nepřímé, zvláštní, náhodné či následné škody, které jsou výsledkem jakékoli chyby nebo opomenutí v této příručce. Výrobce si vyhrazuje právo provádět v této příručce a výrobcích v ní popisovaných změny, a to kdykoliv, bez předchozích oznámení či jakýchkoli následných závazků. Revidovaná vydání jsou dostupná na internetových stránkách výrobce.

## Bezpečnostní informace

### UPOZORNĚNÍ

Výrobce neodpovídá za škody způsobené nesprávnou aplikací nebo nesprávným použitím tohoto produktu včetně (nikoli pouze) přímých, náhodných a následných škod a zřídka se odpovědnosti za takové škody v plném rozsahu, nalikol to umožňuje platná legislativa. Uživatel je výhradně zodpovědný za určení kritických rizik aplikace a za instalaci odpovídajících mechanismů ochrany procesů během potenciální nesprávné funkce zařízení.

Před vybalením, montáží a uvedením přístroje do provozu si prosím pozorně přečtěte celý tento návod. Zvláštní pozornost věnujte všem upozorněním na možná nebezpečí a výstražným informacím. V opačném případě může dojít k vážným poraněním obsluhy a poškození přístroje.

Ujistěte se, že nedošlo k poškození obalu tohoto zařízení a přístroj nepoužívejte a neinstalujte jinak, než jak je uvedeno v tomto návodu.

### Informace o možném nebezpečí

#### ▲ NEBEZPEČÍ

Označuje možnou nebo bezprostředně rizikovou situaci, jež může v případě, že jí nezabráníte, vést k usmrcení nebo vážnému zranění.

#### ▲ VAROVÁNÍ

Upozorňuje na možné nebo skryté nebezpečné situace, jež by bez vhodných preventivních opatření mohly vést k úmrtí nebo vážnému poranění.

#### ▲ POZOR



Upozorňuje na možnou nebezpečnou situaci, jež by mohla mít za následek menší nebo mírné poranění.

### UPOZORNĚNÍ






Označuje situaci, která může způsobit poškození přístroje, pokud se nezabrání jejím vzniku. Upozorňuje na informace vyžadující zvláštní pozornost.

## Bezpečnostní štítky

Přečtěte si všechny štítky a etikety na přístroji. V opačném případě může dojít k poranění osob nebo poškození přístroje. Odkazy na symboly na přístroji naleznete v návodu spolu s výstražnou informací.

	Toto je symbol bezpečnostního upozornění. Řiďte se všemi bezpečnostními oznámeními s tímto symbolem, abyste předešli možnému zranění. Pokud je umístěn na přístroji, podívejte se do referenční příručky na informace o funkci a bezpečnosti.
	Symbol upozorňuje na možnost úrazu nebo usmrcení elektrickým proudem.



	Tento symbol označuje přítomnost zařízení citlivého na elektrostatický výboj a znamená, že je třeba dbát opatrnosti, aby nedošlo k poškození zařízení.
	Pokud je na produktu uveden tento symbol, je zařízení připojeno ke střídavému proudu.
	Elektrické zařízení označené tímto symbolem se nesmí likvidovat v evropských systémech domácího nebo veřejného odpadu. Staré nebo vysloužilé zařízení vraťte výrobci k bezplatné likvidaci.
	Výrobky označené tímto symbolem obsahují toxické nebo nebezpečné látky či prvky. Číslo uvnitř symbolu označuje délku životnosti v letech, z hlediska ochrany životního prostředí.
	Produkty označené tímto symbolem jsou v souladu s příslušnými jihokorejskými směrnici o elektromagnetické kompatibilitě.

## Certifikace

### Kanadské předpisy o zařízeních způsobujících rušení, IECS-003, Třída A:

Záznamy o testech jsou uloženy u výrobce.

Tento digitální přístroj třídy A splňuje všechny požadavky kanadských předpisů o zařízeních způsobujících rušení.

### FCC Část 15, meze třídy "A"

Záznamy o testech jsou uloženy u výrobce. Zařízení splňuje požadavky uvedené v části 15 pravidel FCC. Jeho provoz je dovolen jen při splnění následujících podmínek:

1. Zařízení nemůže způsobit škodlivé rušení.
2. Zařízení musí akceptovat veškeré přijaté rušení, včetně rušení, které může působit nežádoucí provoz.

Změny nebo úpravy tohoto zařízení, které nebyly výslovně schváleny stranou odpovědnou za vyhovění normám, mohou způsobit neplatnost oprávnění uživatele provozovat toto zařízení. Toto zařízení bylo testováno a bylo zjištěno, že vyhovuje limitům digitálního zařízení Třídy A na základě části 15 pravidel FCC. Uvedené meze byly stanoveny za účelem poskytnutí dostatečné ochrany před škodlivým rušením, je-li zařízení v provozu v komerčním prostředí. Toto zařízení vytváří, používá a může vyzařovat vysokofrekvenční energii a jestliže není instalováno a používáno v souladu s návodem k použití, může působit rušení radiových komunikací. Provoz tohoto zařízení v obytných oblastech může pravděpodobně působit škodlivé rušení. V tomto případě uživatel bude muset odstranit rušení na své vlastní náklady. Ke snížení problémů způsobených rušením lze použít následující postupy:

1. Odpojením zařízení od elektrické sítě se přesvědčte, zda zařízení je či není zdrojem poruch.
2. Pokud je zařízení připojeno do stejné zásuvky jako zařízení trpící rušením, zapojte jej do jiné zásuvky.
3. Zařízení posuňte dále od rušeného přístroje.
4. Změňte polohu přijímací antény zařízení, jež rušení přijímá.
5. Vyzkoušejte případně kombinaci několika uvedených opatření.

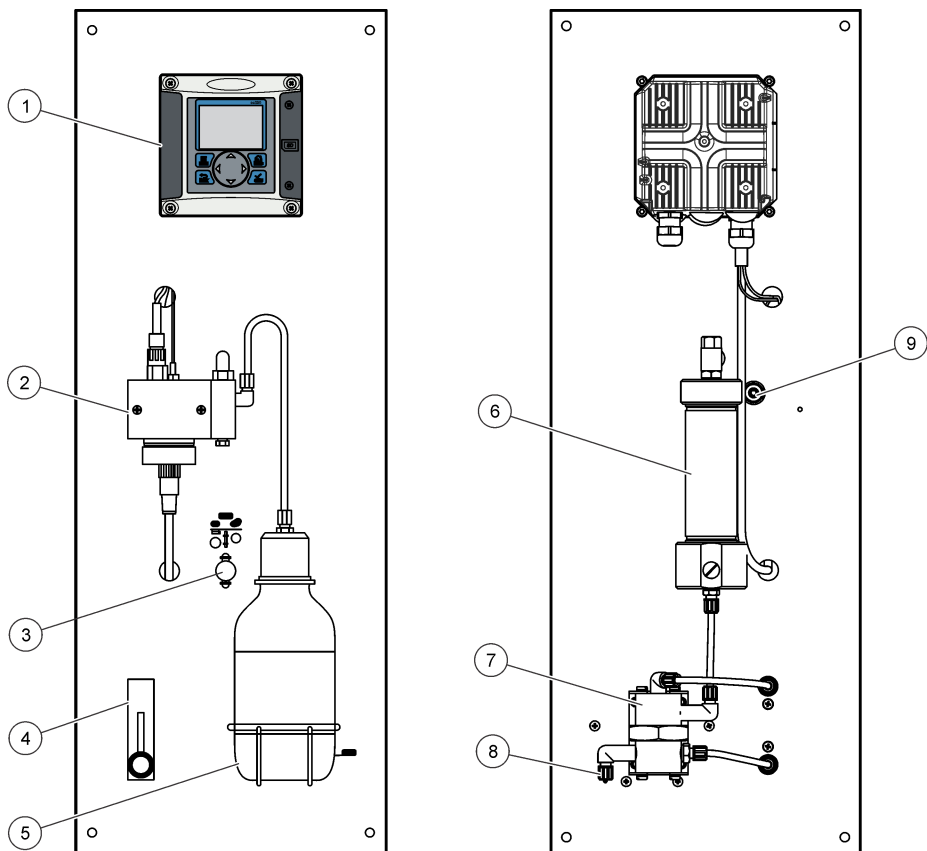
## Součásti výrobku

Ujistěte se, že byly dodány všechny součásti. V případě, že některé položky chybí nebo jsou poškozené, se ihned obraťte na výrobce nebo příslušného obchodního zástupce.

## Popis výrobku

Analyzátor je navržen tak, aby neustále měřil množství absorbérů kyslíku (hydrazinu nebo karbohydrazidu) ve vodě.

Obr. 1 Pohled zepředu a zezadu



1 Kontrolér	6 Zásobník s charakteristikou chemická nula (možnost)
2 Měřicí elektroda	7 Regulátor tlaku
3 Chemická nula zapnuta/vypnuta (možnost)	8 Vstup vzorku, hadice 4/6 mm
4 Průtokoměr	9 Odtok vzorku, hadice 6/8 mm, atmosférický tlak
5 Láhev pro přípravu vzorku (DIPA)	

## Instalace

### ▲ POZOR



Různá nebezpečí. Práce uvedené v tomto oddíle dokumentu smí provádět pouze dostatečně kvalifikovaný personál.

## Montáž analyzáru

### ▲ POZOR

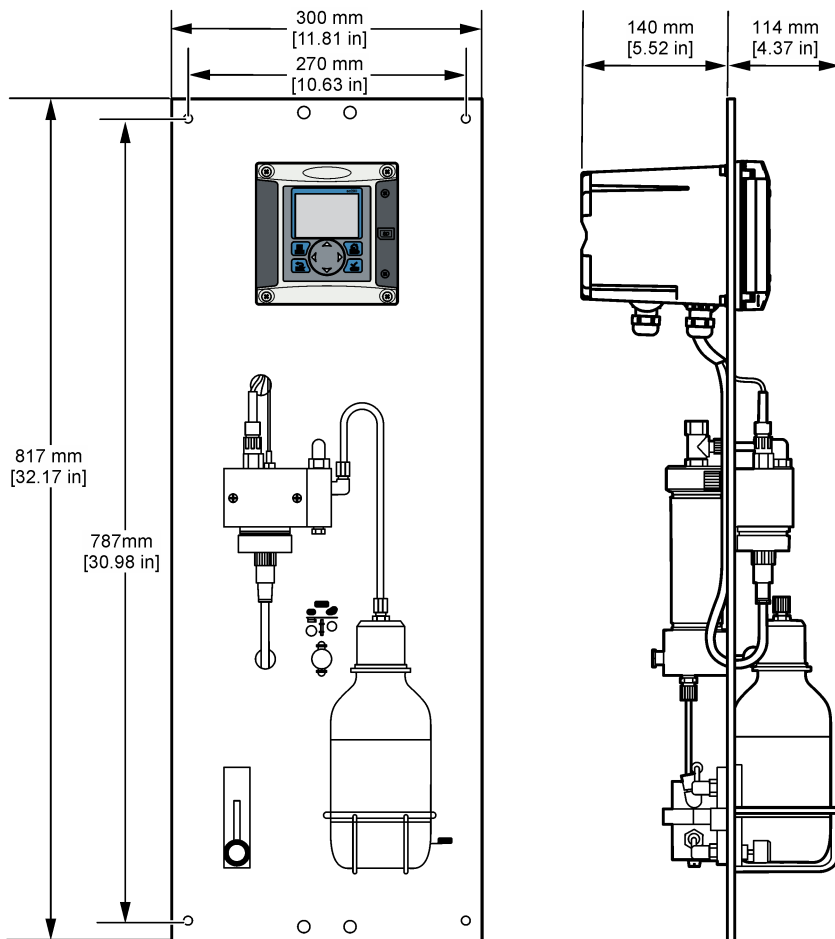
Nebezpečí poranění osob. Přístroje nebo součásti jsou těžké. Při instalaci nebo přemísťování použijte pomoc jiné osoby. Ujistěte se, že je montáž na stěnu schopna udržet čtyřnásobek hmotnosti zařízení.

### UPOZORNĚNÍ

Analyzáru musí být svisle zarovnaný, aby byla zaručena přesnost měření.

Připevněte analyzáru ke stabilnímu, svislému povrchu. Úplně svislou polohu analyzáru ověřte pomocí vodováhy. Prostudujte si následující pokyny.

- Umístěte přístroj na místo, kde je k němu zajištěn přístup pro ovládání, servisní činnosti a kalibraci.
- Ujistěte se, že je dobře vidět na displej a ovládací prvky.
- Udržujte přístroj mimo dosah zdrojů tepla.
- Udržujte přístroj mimo dosah vibrací.
- Hadice vzorků udržujte co nejkratší, aby se minimalizovala doba odezvy.
- Ujistěte se, že v přívodu není žádný vzduch.

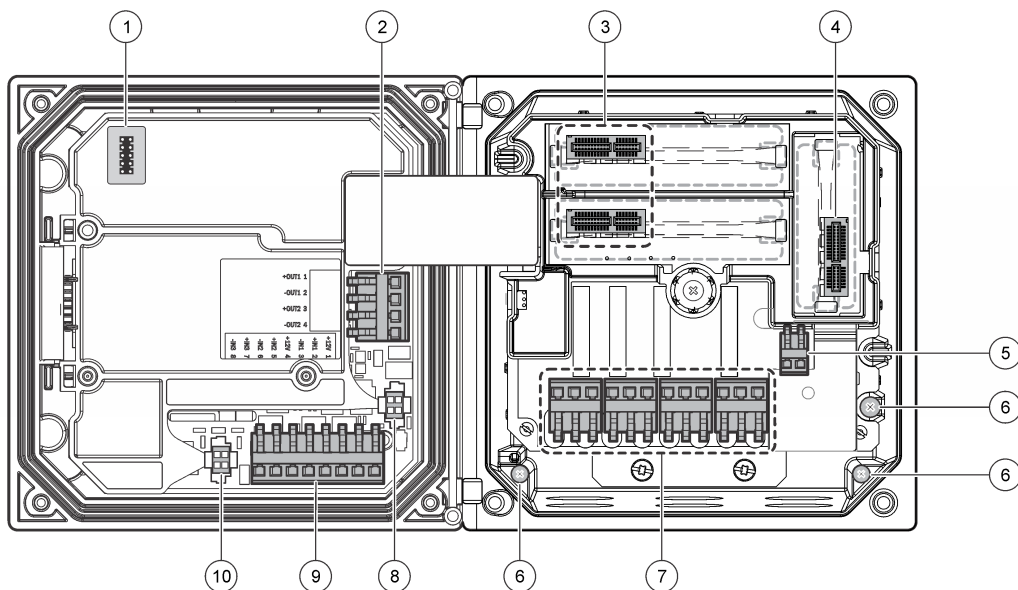


## Přehled zapojení

Obr. 2 obsahuje přehled zapojovacích přípojek uvnitř kontroléru s vyjmutou vysokonapěťovou zábranou. Levá strana obrázku ukazuje zadní stranu krytu kontroléru.

**Poznámka:** Před instalací modulu sejměte krytky konektorů.

Obr. 2 Přehled kabelového připojení



1 Připojení servisního kabelu	5 Konektor napájení střídavým a stejnosměrným proudem <sup>2</sup>	9 Konektor zapojení samostatných vstupů <sup>2</sup>
2 Výstup 4–20 mA <sup>2</sup>	6 Zemnicí svorky	10 Konektor digitálního senzoru <sup>2</sup>
3 Konektor sensorového modulu	7 Připojky relé <sup>2</sup>	
4 Konektor komunikačního modulu (například Modbus, Profibus, HART, volitelný modul 4–20 mA)	8 Konektor digitálního senzoru <sup>2</sup>	

### Vysokonapěťová zábrana

Vedení vysokého napětí je umístěno za vysokonapěťovou zábranou uvnitř skříně přístroje. Bariéra musí zůstat na místě s výjimkou případů instalace modulů nebo vedení pro napájení, alarmy, výstupy nebo relé nebo síťových karet kvalifikovaným instalačním technikem. Neodstraňujte zábranu, je-li kontrolér napájen elektrickou energií.

### Zapojení napájení

#### ⚠ VAROVÁNÍ



Nebezpečí poranění el. proudem. Před elektrickými instalacemi přístroj odpojte od elektrické sítě.

<sup>2</sup> Zemnicí svorky mohou být odstraněny pro lepší přístup.

## ⚠ VAROVÁNÍ



Nebezpečí poranění el. proudem. Pokud se toto zařízení používá mimo kryté prostory nebo na potenciálně vlhkých místech, musí se k připojení zařízení k hlavnímu zdroji napájení použít **proudový chránič**.

## ⚠ NEBEZPEČÍ



Nebezpečí smrtelného úrazu elektrickým proudem. Model na stejnosměrný proud 24 V nepřipojujte na zdroj střídavého napětí.

## ⚠ VAROVÁNÍ



Nebezpečí poranění el. proudem. Pro obě vedení o napětí 100–240 V střídavých a 24 V stejnosměrných se vyžaduje připojení ochranného uzemnění (PE). V opačném případě hrozí nebezpečí elektrických rázů a nepříznivého ovlivnění funkce přístroje v důsledku elektromagnetických poruch. Svorkovnici kontroléru proto **VŽDY** připojte k dostatečnému uzemňovací vedení.

## UPOZORNĚNÍ

Instalujte zařízení v místech a polohách, které umožňují snadný přístup pro odpojení zařízení a pro jeho obsluhu.

Kontrolér lze zakoupit buď jako model napájený střídavým proudem o napětí 100/240 V nebo jako model napájený stejnosměrným proudem o napětí 24 V. Při provádění elektrické instalace se řiďte pokyny týkajícími se zakoupeného modelu.

Kontrolér lze připojit na zdroj elektrické energie buďto napevno, vodiči uloženými v instalačním kanálu, nebo pomocí elektrické šňůry. Nezávisle na použitém druhu instalace se připojení přístroje provádí na tytéž výstupní svorky. Systém vyžaduje – nezávisle na druhu instalace – možnost místního odpojení od sítě provedenou ve shodě s místními elektrickými předpisy. Zařízení s připojením napevno musejí být vybavena elektrickými a bezpečnostními vodiči o síle 18 až 12 AWG. Ujistěte se, že venkovní izolace elektroinstalace je minimálně 80 °C (176 °F).

### Poznámky:

- Před připojováním elektrických kabelů odpojte napěťovou zábranu. Po vytvoření všech přípojek znovu připojte napěťovou zábranu a teprve poté uzavřete kontrolér krytem.
- V souladu s požadavky na krytí 4X/IP66 podle předpisu NEMA můžete použít odlehčovací objímku těsnícího typu a napájecí kabel kratší než 3 metry se třemi vodiči o síle 18 AWG (včetně bezpečnostního zemního vodiče).
- Kontroléry lze objednat s předinstalovaným elektrickým kabelem pro střídavý proud. Objednat lze i další napájecí kabely.
- Zdroj stejnosměrného proudu napájející kontrolér na 24 V musí vyhovovat předpisům vyžadujícím rozmezí napětí 24 V mezi –15 % a +20 %. Tento zdroj musí rovněž poskytovat dostatečnou ochranu proti rázům a kolísání sítě.

### Postup zapojení

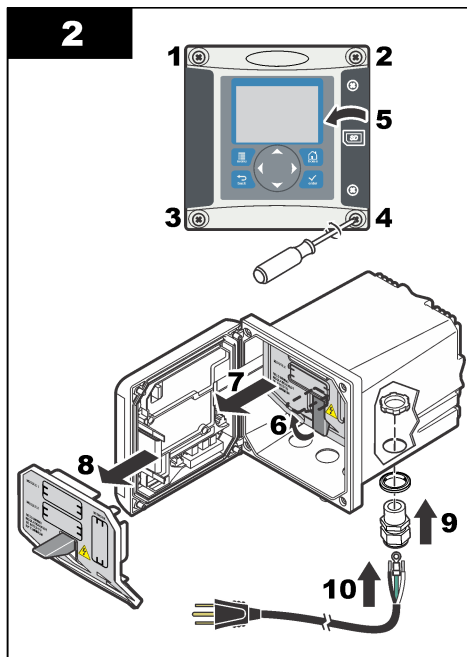
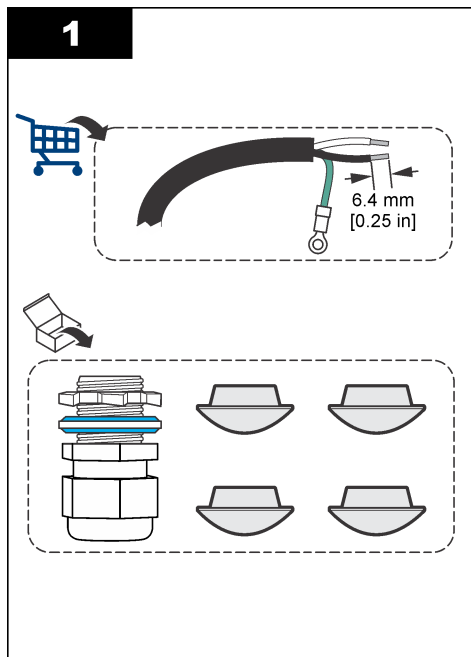
Při zapojení kontroléru do elektrické sítě se řiďte následujícím obrázkovým návodem a stránkami [Tabulka 1](#) nebo [Tabulka 2](#). Zasuňte každý vodič do příslušné koncovky tak hluboko, aby izolace přiléhala na konektor a holý vodič nevyčníval. Po vložení za vodič jemně zatáhněte a přesvědčte se tak, že je pevně uchycen. Všechny nepoužité otvory ve skříni přístroje zaslepte pomocí těsnících zátek na obvodové otvory.

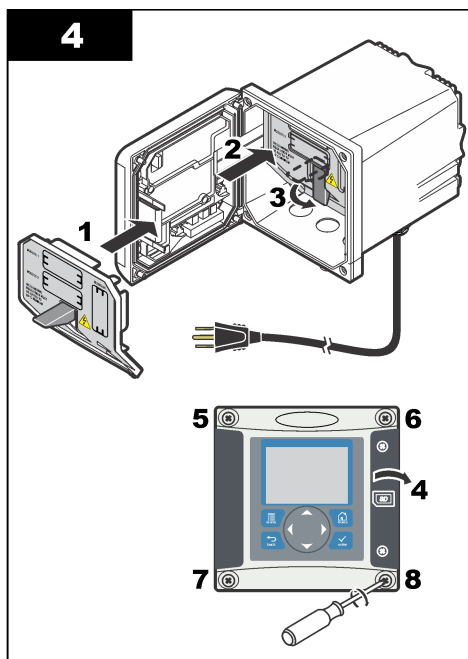
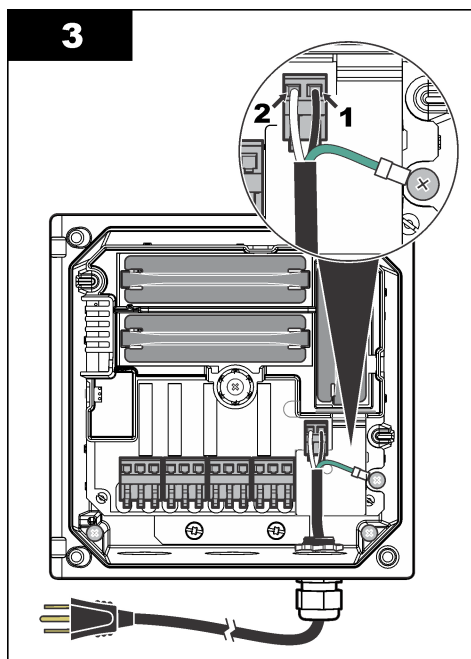
**Tabulka 1 Připojení k napájení střídavým proudem (platí pouze pro model napájený střídavým proudem)**

Svorky	Popis	Barva – Severní Amerika	Barva – EU
1	Fáze (L1)	Černá	Hnědý
2	Nulový vodič (N)	Bílý	Modrý
—	Okno ochranného zemnění (PE)	Zelená	Zelený se žlutým proužkem

**Tabulka 2 Připojení napájení stejnosměrným proudem (platí pouze pro model napájený stejnosměrným proudem)**

Svorky	Popis	Barva – Severní Amerika	Barva – EU
1	+24 VDC	Červená	Červená
2	Zpětné napájení 24 V stejnosměrných	Černá	Černá
—	Oko ochranného zemnění (PE)	Zelená	Zelený se žlutým proužkem





### Poplachové funkce a relé

Kontrolér je vybaven čtyřmi nenapájenými, jednopólovými relé dimenzovanými na 100–250 VAC, 50/60 Hz, max. 5 A. Kontakty jsou dimenzované na 250 VAC, max. 5 A u kontroléru na střídavý proud a na 24 VDC, max. 5 A u kontroléru na stejnosměrný proud. Relé nejsou dimenzovaná na indukční zátěže.

### Propojovací relé

#### ▲ VAROVÁNÍ



Nebezpečí poranění el. proudem. Před elektrickými instalacemi přístroj odpojte od elektrické sítě.

#### ▲ VAROVÁNÍ



Potenciální nebezpečí požáru. Kontakty relé jsou dimenzované pro 5 A a nejsou opatřeny pojistkou. Externí zátěže připojené k relé musejí mít proudový omezovač nastavený na hodnotu nižší než 5 A.

#### ▲ VAROVÁNÍ



Potenciální nebezpečí požáru. Nepoužívejte sériové zapojení pro běžné spoje relé nebo propojovací vodič od přípojky elektrické sítě uvnitř přístroje.

#### ▲ VAROVÁNÍ



Nebezpečí poranění el. proudem. V souladu s požadavky na krytí skříně podle předpisu NEMA je nutné pro přívod kabelů do přístroje použít elektroinstalační tvarovky a kabelové vodiče dimenzované pro krytí alespoň NEMA 4X/IP66

### Kontroléry napájené z vedení střídavého proudu (100—250 V)

## ⚠ VAROVÁNÍ



Nebezpečí poranění el. proudem. Kontroléry napájené střídavým proudem (115 V–230 V) jsou konstruovány pro reléové připojení do obvodů střídavého proudu (např. napětí vyšší než 16 V-RMS, 22,6 V-PEAK nebo 35 VDC).

Elektrické vybavení relé není navrženo na připojení napětí vyššího než 250 VAC.

### Kontroléry napájené stejnosměrným proudem o napětí 24 V

## ⚠ VAROVÁNÍ



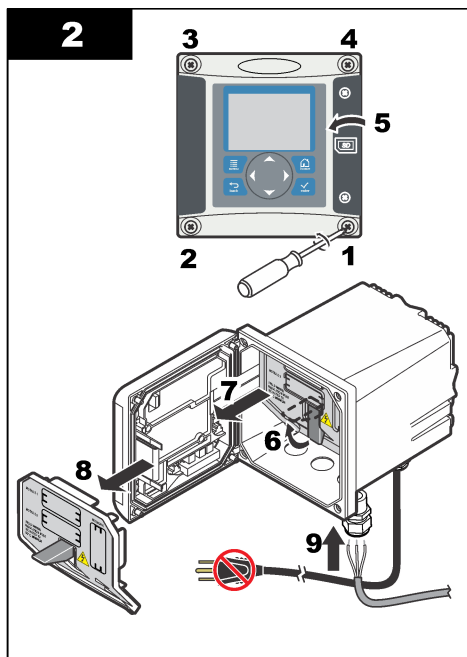
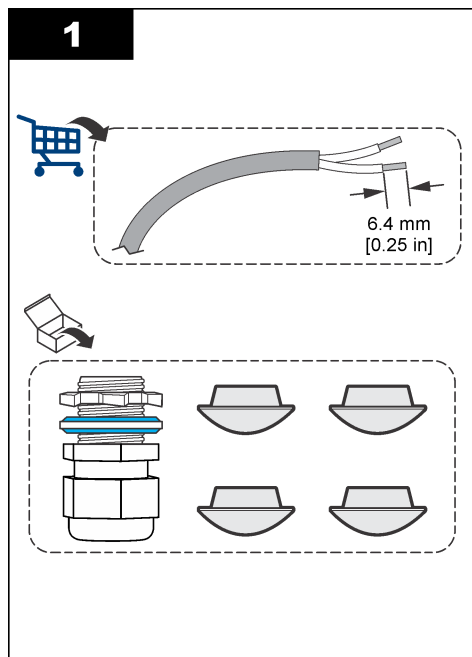
Nebezpečí poranění el. proudem. Kontroléry s napájením 24 V jsou konstruovány pro reléové připojení do obvodů s nízkým napětím (např. napětí nižší než 16 V-RMS, 22,6 V-PEAK nebo 35 VDC).

Relé kontroléru na 24 V stejnosměrného proudu je určeno pro připojení k nízkonapětovým obvodům (tj. napětí nižší než 30 V-RMS, 42,2 V-PEAK nebo 60 VDC). Elektrické vybavení relé není navrženo na připojení napětí vyššího než tyto mezní hodnoty.

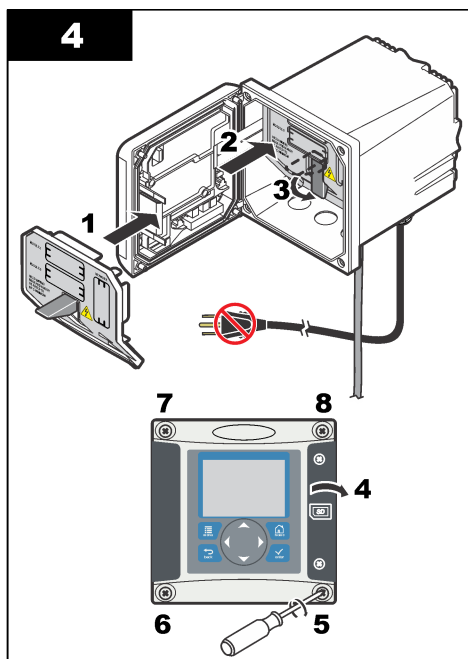
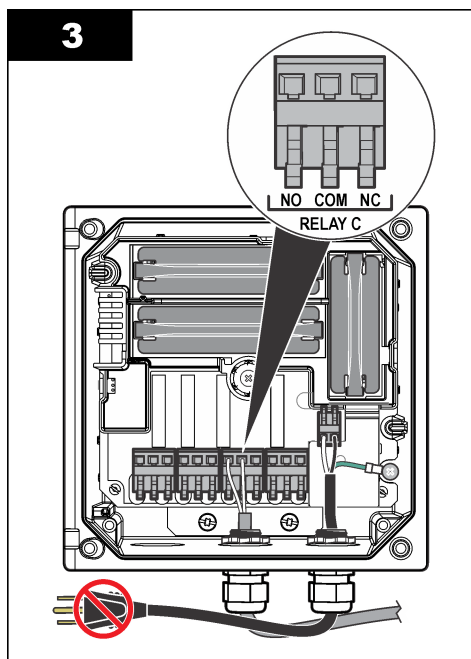
Připojka relé vyžaduje vodiče o síle 18 až 12 AWG (podle zatížení provozu). Vodiče o síle menší než 18 AWG se nedoporučují. Ujistěte se, že venkovní izolace elektroinstalace je minimálně 80 °C (176 °F).

Je-li poplachový nebo jiný stav aktivní, jsou kontakty normálně otevřeného (NO) a obecného (COM) relé spojeny. Není-li poplachový nebo jiný stav aktivní (pokud není pojistka proti selhání nastavena na hodnotu Ano) nebo je-li přístroj zbaven proudu, jsou spojeny kontakty relé normálně uzavřeného (NC) a obecného.

Většina přípojek relé používá vývody NO a COM nebo vývody NC a COM. Číslovaný postup instalace popisuje připojení k vývodům NO a COM.







### Připojky analogových výstupů

#### ⚠ VAROVÁNÍ



Nebezpečí poranění el. proudem. Před elektrickými instalacemi přístroj odpojte od elektrické sítě.

#### ⚠ VAROVÁNÍ



Nebezpečí poranění el. proudem. V souladu s požadavky na krytí skříně podle předpisu NEMA je nutné pro přívod kabelů do přístroje použít elektroinstalační tvarovky a kabelové vodiče dimenzované pro krytí alespoň NEMA 4X/IP66

K dispozici jsou dva oddělené analogové výstupy (1 a 2) (Obr. 3). Tyto výstupy se běžně používají pro analogové signály nebo pro řízení jiných externích zařízení.

Vytvořte kabelová připojení ke kontroléru podle vyobrazení Obr. 3 a Tabulka 3.

**Poznámka:** Obr. 3 zobrazuje zadní stranu krytu kontroléru, nikoli však vnitřek hlavního prostoru kontroléru.

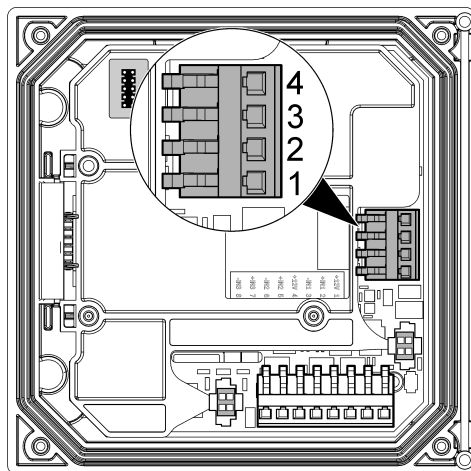
**Tabulka 3 Připojky výstupů**

Vodiče zapisovacího přístroje	Poloha na rozvodovém panelu
výstup 2-	4
výstup 2+	3
výstup 1-	2
výstup 1+	1

1. Otevřete víko přístroje.
2. Protáhněte vodiče odlehčovací objímkou.
3. Podle potřeby přizpůsobte vodiče a utáhněte odlehčovací objímku.

4. K připojení použijte pár zakroucených stíněných kabelů a stínění připevněte ke konci řízené komponenty, nebo ke konci řídicí smyčky.
  - Stínění nepřipojujte k oběma koncům kabelu.
  - Použití nestíněných vodičů může způsobovat vysílání vysokofrekvenčního záření a zvýšené hladiny susceptibility nad povolenou mez.
  - Maximální odpor smyčky je 500 ohmů.
5. Přiklopte víko přístroje a utáhněte šrouby krytu.
6. Nakonfigurujte výstupy v kontroléru.

**Obr. 3 Připojky analogových výstupů**



### **Připojení volitelného digitálního komunikačního výstupu**

Výrobce podporuje komunikační protokoly Modbus RS485, Modbus RS232, Profibus DPV1 a HART. Volitelný modul digitálního výstupu se instaluje v místě označeném číslem 4 na [Obr. 2](#) na straně 164. Podrobnosti o tomto připojení naleznete v návodu dodávaném se síťovým modulem.

### **Připojení potrubí vzorku a odtoku**

Připojte potrubí vzorku a odtoku k zadní straně panelu.

1. Potrubí vzorku připojte k armatuře přívodní hadice s největším průměrem 4/6 mm.
2. Odtokové potrubí připojte k armatuře odtokové hadice s největším průměrem 4/6 mm. Odtokové potrubí ponechte co nejkratší při atmosférickém tlaku.

## Instalace činidel

### ▲ VAROVÁNÍ



Nebezpečí expozice chemikáliím. Dodržujte laboratorní bezpečnostní postupy a noste veškeré osobní ochranné pomůcky vyžadované pro manipulaci s příslušnými chemikáliemi. Viz aktuální datové bezpečnostní listy (MSDS/SDS).

1. Naplňte prázdnou láhev pro přípravu vzorku látkou DIPA (diizopropylaminem) a zadejte informace o nebezpečném činidle na prázdný štítek připevněný k láhvi.
2. Láhev pro přípravu připevněte k přední části analyzáru.
3. Připojte dodanou hadici k měřicímu článku. Hadici úplně vložte do láhve s přípravným roztokem. Ujistěte se, že instalační materiál hadice těsní, aby z láhve pro přípravu neunikaly výpary do atmosféry.
4. Používáte-li zásobník s charakteristikou chemické nuly, nainstalujte zásobník na zadní část analyzáru.

## Spuštění

Zkontrolujte, zda průtoková rychlost a tlak nepřekračují hodnoty, které uvádí [Technické údaje](#) na straně 158.

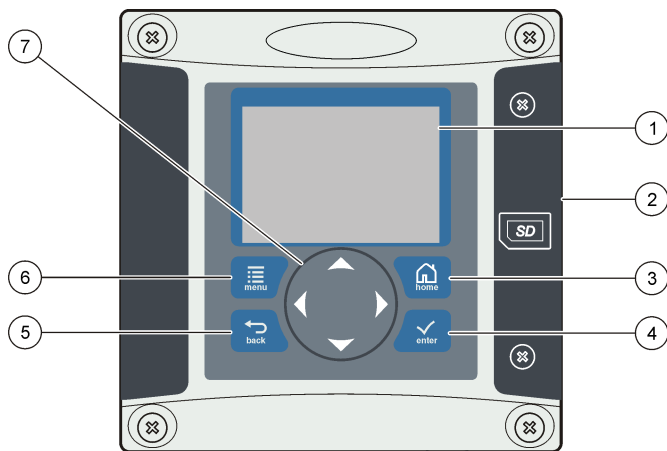
1. Otevřete ventil na vedení vzorku a nechte vzorek protékat analyzátozem.
2. Otáčením knoflíku na průtokoměru nastavte rychlost průtoku.
3. Zkontrolujte, zda na potrubí nedochází k únikům, a odstraňte příčiny jakýchkoliv zjištěných úniků.
4. Zaveďte proud do kontroléru
5. Při spuštění kontroléru proveďte příslušné volby v nabídce.

## Uživatelské rozhraní a navigační tlačítka

### Uživatelské rozhraní

Klávesnice má čtyři tlačítka nabídky a čtyři směrová tlačítka, viz [Obr. 4](#).

**Obr. 4** Přehled o klávesnici a předním panelu



1 Displej přístroje	5 Tlačítko <b>BACK</b> (Zpět). Návrat v programové nabídce (menu) na předchozí úroveň
2 Kryt slotu paměťové karty SD (Secure Digital)	6 Tlačítko <b>MENU</b> (Nabídka). Stisknutím přejdete z jiných obrazovek a podnabídek do Nabídky nastavení.
3 Tlačítko <b>HOME</b> (Domů). Stisknutím přejdete z jiných obrazovek a podnabídek na obrazovku Hlavní měření.	7 Směrová tlačítka. Používají se pro navigaci v nabídkách, změnu nastavení a zvyšování nebo snižování číselných hodnot.
4 Tlačítko <b>ENTER</b> . Potvrzuje vstupní hodnoty, aktualizace nebo zobrazené volby nabídky.	

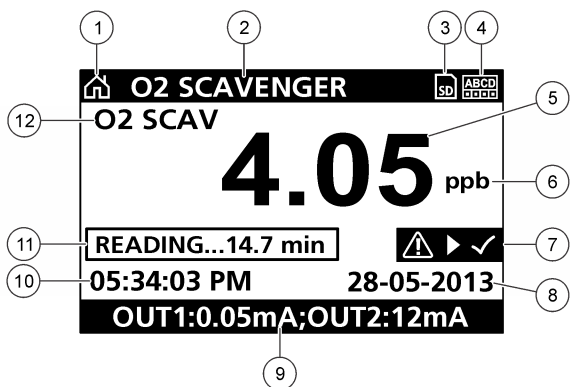
Vstupy a výstupy se nastavují a konfiguruje na předním panelu pomocí klávesnice a displeje. Toto uživatelské rozhraní se používá pro nastavení a konfiguraci vstupů a výstupů, vytváření protokolovaných informací a vypočítaných hodnot a také pro kalibraci senzorů. Rozhraní SD lze použít pro uložení protokolů a aktualizaci softwaru.

## Displej

**Obr. 5** zobrazuje příklad obrazovky hlavního měření se snímačem připojeným ke kontroléru.

Displej na předním panelu zobrazuje měřicí data senzoru, kalibraci a nastavení konfigurace, chyby, varování a další informace.

## Obr. 5 Příklad obrazovky Hlavní měření



1 Ikona výchozí obrazovky	7 Pruh pro upozornění
2 Název senzoru	8 Date (Datum)
3 Ikona paměťové karty SD	9 Hodnoty analogového výstupu
4 Indikátor stavu relé	10 Time (Čas)
5 Naměřená hodnota	11 Pruh postupu
6 Jednotka měření	12 Parametr měření

Tabulka 4 Popisy ikon

Ikona / klávesa	Popis
Výchozí obrazovka	Ikona je různá v závislosti na zobrazené obrazovce nebo nabídce. Je-li například instalovaná karta SD a uživatel se nachází v nabídce Nastavení SD karty, zobrazí se zde ikona karty SD.
Paměťová karta SD	Tato ikona se zobrazuje pouze v případě, že ve slotu čtečky je zasunutá karta SD. Když se uživatel nachází v nabídce Nastavení SD karty, zobrazí se tato ikona v levém horním rohu.
Varování	Varovná ikona má podobu trojúhelníku s vykřičníkem. Výstražné ikony se objevují na pravé straně hlavního displeje pod jednotkou měření. Stiskněte tlačítko <b>ENTER</b> a po svolení přístroje můžete sledovat problém, který se u něj vyskytl. Jakmile budou všechny problémy odstraněny nebo zjištěny, výstražná ikona se již nebude zobrazovat.
Porucha	Chybová ikona má podobu kruhu s vykřičníkem. Když se vyskytne chyba, začne na hlavním displeji střídavě blikat chybová ikona a obrazovka měření. Abyste viděli chybu, stiskněte tlačítko <b>MENU</b> a zvolte <b>Diagnostics</b> (Diagnostika). Potom vyberte přístroj, abyste mohli sledovat problém, který se u něj vyskytl.

## Další formáty zobrazení

- Na obrazovce hlavního měření můžete přepínat mezi jednotlivými parametry měření stisknutím šipky **NAHORU** a **DOLŮ**
- Na obrazovce hlavního měření můžete pomocí šipky **DOPRAVA** přepnout na dělené zobrazení až 4 měřených parametrů. Stisknutím šipky **DOPRAVA** vložíte další parametry. Stisknutím šipky **DOLEVA** se dle potřeby můžete vrátit na obrazovku hlavního měření
- Na obrazovce hlavního měření můžete stisknutím šipky **DOLEVA** přepnout na grafické zobrazení (viz **Grafické zobrazení** na straně 174 jak definovat parametry). Stisknutím šipek **NAHORU** a **DOLŮ** můžete přepínat mezi grafy měření

## Grafické zobrazení

Graf ukazuje naměřené koncentrace a teploty pro každý používaný kanál. Graf umožňuje snadné monitorování trendů a zobrazuje změny v procesu.

1. Na obrazovce grafického zobrazení použijte šipky nahoru a dolů pro zvolení grafu a stiskněte klávesu **HOME** (Domů).
2. Vyberte některou z možností:

Volba	Popis
<b>MEASUREMENT VALUE (NAMĚŘENÁ HODNOTA)</b>	Nastavte naměřenou hodnotu pro vybraný kanál. Zvolte automatickou nebo manuální stupnici. Pro manuální stupnici zadejte minimální a maximální naměřené hodnoty
<b>DATE &amp; TIME RANGE (ROZSAH DATA A ČASU)</b>	Zvolte rozsah data a času z dostupných možností

## Provoz

### Konfigurace senzoru

Pokud chcete zadat identifikační informace pro snímač a změnit možnosti pro manipulaci s daty a jejich uchování, použijte nabídku CONFIGURE (Konfigurovat).

1. Stiskněte klávesu **menu** a zvolte možnost **SENSOR SETUP** (Nastavení snímače) > **CONFIGURE** (Konfigurovat).
2. Pro volbu možnosti použijte klávesy s šipkami a stiskněte **enter**. Pokud chcete zadat čísla, znaky nebo znaménka, stiskněte a podržte klávesy s šipkami **up** (nahoru) nebo **down** (dolů). Pokud se chcete přesunout na další políčko, stiskněte klávesu se šipkou **right** (vpravo).

Volba	Popis
<b>EDIT NAME (Upravit název)</b>	Změní název, který odpovídá sondě v horní části obrazovky měření. Název může mít maximálně 16 znaků v jakékoliv kombinaci písmen, čísel, mezer a znamének.
<b>SENSOR S/N (Výrobní číslo snímače)</b>	Umožňuje uživateli zadat výrobní číslo snímače, které je omezeno na 16 znaků v jakékoliv kombinaci písmen, čísel, mezer a znamének.
<b>MEAS UNITS (Jednotky měření)</b>	Změní jednotky měření – vyberte jednotku ze seznamu dostupných jednotek.
<b>TEMP UNITS</b>	Nastaví jednotky teploty na °C (výchozí) nebo °F
<b>FILTER (Filtr)</b>	Nastaví časovou konstantu pro zvýšení stability signálu. Časová konstanta vypočítá průměrnou hodnotu během vymezeného času – 0 (žádný efekt, výchozí) až 60 sekund (průměrná hodnota signálu po dobu 60 sekund). Filtr zvyšuje dobu, po kterou může signál snímače reagovat na aktuální změny v procesu.
<b>LOG SETUP (Nastavení logování)</b>	Nastaví časový interval pro uchování dat v záznamech dat – 5, 30 sekund, 1, 2, 5, 10, 15 (výchozí), 30, 60 minut.
<b>RESET DEFAULTS (RESETOVAT NA VÝCHOZÍ NASTAVENÍ)</b>	Nastaví nabídku konfigurace na výchozí nastavení. Všechny informace snímače budou ztraceny.

## Kalibrace

### O kalibraci snímače

Vlastnosti snímače se postupem času pozvolna mění, což způsobuje ztrátu přesnosti. Aby byla zachována přesnost snímače, musí být pravidelně kalibrován. Jak často je nutné snímač kalibrovat se liší podle aplikace a nejlépe to poznáte podle zkušenosti.

## Teplotní kalibrace

Doporučuje se kalibrovat teplotní snímač jednou ročně. Kalibraci teplotního snímače proveďte před kalibrací snímače měření.

1. Teplotu vody změřte pomocí přesného teploměru nebo pomocí nezávislého přístroje.
2. Stiskněte klávesu **menu** a vyberte možnost SENSOR SETUP (NASTAVENÍ SNÍMAČE) > CALIBRATE (KALIBROVAT).
3. Pokud je zapnutý vstupní kód do zabezpečené nabídky pro kontrolér, je nutné zadat vstupní kód.
4. Vyberte možnost 1 PT TEMP CAL (TEPLOTNÍ KALIBRACE SNÍMAČE 1 PT) a stiskněte klávesu **enter**.
5. Zobrazí se neupravená hodnota teploty. Stiskněte klávesu **enter**.
6. Zadejte správnou hodnotu, pokud se liší od té zobrazené, a stiskněte klávesu **enter**.
7. Kalibraci potvrďte stisknutím klávesy **enter**. Zobrazí se posun teploty.

## Kalibrace nuly

Nulová hodnota byla kalibrována ve výrobním závodě. Proces nulové kalibrace slouží k definování specifického nulového bodu snímače.

1. Je-li koncentrace vzorku < 10 ppb, pro dosažení nejlepších výsledků se doporučuje použít volitelný zásobník pro nulovou kalibraci (viz [Náhradní díly a příslušenství](#) na straně 178) a ponechat snímač na místě. Jinak snímač vyjměte z procesního prostředí a opláchněte destilovanou vodou.
2. Stiskněte klávesu **menu** a vyberte možnost SENSOR SETUP (NASTAVENÍ SNÍMAČE) > CALIBRATE (KALIBROVAT).
3. Pokud je zapnutý vstupní kód do zabezpečené nabídky pro kontrolér, je nutné zadat vstupní kód.
4. Vyberte možnost ZERO CAL (NULOVÁ KALIBRACE) a stiskněte klávesu **enter**.
5. Zvolte možnost pro výstupní signál během kalibrace:

Volba	Popis
<b>AKTIVNÍ</b>	Přístroj odešle během procesu kalibrace aktuální naměřenou výstupní hodnotu.
<b>POZASTAVENÍ</b>	Výstupní hodnota sondy je držena během kalibrace na aktuální naměřené hodnotě.
<b>PŘENOS</b>	Během kalibrace je odeslána přednastavená výstupní hodnota. Pokud potřebujete změnit přednastavenou hodnotu, podívejte se do uživatelské příručky kontroléru.

6. Nepoužíváte-li volitelný zásobník pro nulovou kalibraci, umístěte čistý snímač do roztoku bez obsahu hydrazinu, jako je například ultra čistá voda, a stiskněte klávesu **enter**.
7. Počkejte maximálně jednu hodinu, dokud se hodnota nestabilizuje, a stiskněte klávesu **enter**.
8. Zkontrolujte výsledek kalibrace:
  - PASS (Kalibrace provedena) – snímač je zkalibrován a připraven k měření vzorků.
  - FAIL (Selhání) – hodnota je mimo přijatelný rozsah. Očistěte senzor a opakujte pokus. Další informace naleznete v [Řešení problémů](#) na straně 177.
9. Pokud byla kalibrace provedena a chcete pokračovat, stiskněte klávesu **enter**.
10. Pokud je ID obsluhy v nabídce CAL OPTIONS (MOŽNOSTI KALIBRACE) nastaveno na hodnotu YES (ANO), zadejte ID obsluhy. Viz [Změňte možnosti kalibrace](#) na straně 176.
11. Na obrazovce NEW SENSOR (NOVÝ SNÍMAČ) zvolte, zda je snímač nový:

Volba	Popis
<b>ANO</b>	Snímač nebyl dříve kalibrován s tímto řadičem. Doba provozu a předchozí kalibrační křivky snímače jsou resetovány.
<b>NE</b>	Snímač byl dříve kalibrován s tímto řadičem.

12. Nepoužíváte-li volitelný zásobník pro nulovou kalibraci, vraťte snímač do procesního prostředí a stiskněte klávesu **enter**. Výchozí signál se vrátí do aktivního stavu a na obrazovce měření se zobrazí naměřená hodnota vzorku.

**Poznámka:** Pokud je výchozí režim nastaven na uchování či přenos, zvolte dobu prodlení, během které se výstupy vrátí do aktivního stavu.

## Kalibrace pomocí provozního vzorku

Snímač může zůstat v procesním vzorku.

1. Stiskněte klávesu **menu** a vyberte možnost SENSOR SETUP (NASTAVENÍ SNÍMAČE) > CALIBRATE (KALIBROVAT).
2. Pokud je zapnutý vstupní kód do zabezpečené nabídky pro kontrolér, je nutné zadat vstupní kód.
3. Vyberte možnost SAMPLE CAL (VÝPOČET VZORKU) a stiskněte klávesu **enter**.
4. Zvolte možnost pro výstupní signál během kalibrace:

Volba	Popis
<b>AKTIVNÍ</b>	Přístroj odešle během procesu kalibrace aktuální naměřenou výstupní hodnotu.
<b>POZASTAVENÍ</b>	Výstupní hodnota sondy je držena během kalibrace na aktuální naměřené hodnotě.
<b>PŘENOS</b>	Během kalibrace je odeslána přednastavená výstupní hodnota. Pokud potřebujete změnit přednastavenou hodnotu, podívejte se do uživatelské příručky kontroléru.

5. Až bude snímač v provozním vzorku, stiskněte klávesu **enter**. Zobrazí se naměřená hodnota. Počkejte, dokud se hodnota nestabilizuje a stiskněte klávesu **enter**.
6. Změřte hodnotu koncentrace vzorku pomocí certifikovaného sekundárního ověřovacího přístroje. Aby ve vzorku nebyly nečistoty, proveďte měření ještě předtím, než vzorek vstoupí do průtokové komory. Pomocí kláves se šipkami zadejte tuto hodnotu, pokud se liší od zobrazené hodnoty, a stiskněte klávesu **enter**.
7. Zkontrolujte výsledek kalibrace:
  - PASS (KALIBRACE PROVEDENA) – snímač je zkalibrován a připraven k měření vzorků.
  - FAIL (SELHÁNÍ) – hodnota je mimo přijatelný rozsah. Očistěte senzor a opakujte pokus. Další informace naleznete v [Řešení problémů](#) na straně 177.
8. Pokud byla kalibrace provedena a chcete pokračovat, stiskněte klávesu **enter**.
9. Pokud je ID obsluhy v nabídce CAL OPTIONS (MOŽNOSTI KALIBRACE) nastaveno na hodnotu YES (ANO), zadejte ID obsluhy. Viz [Změňte možnosti kalibrace](#) na straně 176.
10. Na obrazovce NEW SENSOR (NOVÝ SNÍMAČ) zvolte, zda je snímač nový:

Volba	Popis
<b>ANO</b>	Snímač nebyl dříve kalibrován s tímto řadičem. Doba provozu a předchozí kalibrační křivky snímače jsou resetovány.
<b>NO (NE)</b>	Snímač byl dříve kalibrován s tímto řadičem.

11. Když je snímač v provozním vzorku, stiskněte klávesu **enter**. Výchozí signál se vrátí do aktivního stavu a na obrazovce měření se zobrazí naměřená hodnota vzorku.

**Poznámka:** Pokud je výchozí režim nastaven na uchování či přenos, zvolte dobu prodlení, během které se výstupy vrátí do aktivního stavu.

## Změňte možnosti kalibrace

Z této nabídky může uživatel nastavit organizér kalibrace nebo začlenit ID obsluhy s daty kalibrace.

1. Stiskněte klávesu **menu** a vyberte možnost SENSOR SETUP (NASTAVENÍ SNÍMAČE) > CALIBRATE (KALIBROVAT).
2. Pokud je zapnutý vstupní kód do zabezpečené nabídky pro kontrolér, je nutné zadat vstupní kód.



3. Vyberte položku CAL OPTIONS (MOŽNOSTI KALIBRACE) a stiskněte klávesu **enter**.
4. Pomocí kláves se šipkami vyberte možnost a stiskněte klávesu **enter**.

Volba	Popis
<b>CAL REMINDER (Organizér kalibrace)</b>	Nastavuje organizér pro příští kalibraci ve dnech, měsících nebo letech – požadované zpoždění vyberte ze seznamu.
<b>OP ID ON CAL (ID obsluhy kalibrace)</b>	Zahrne ID obsluhy s daty kalibrace – YES (ANO) nebo NO (NE) (výchozí). Během kalibrace je zadáno ID.

## Údržba

### ⚠ NEBEZPEČÍ

Různá nebezpečí. Práce uvedené v tomto oddíle dokumentu smí provádět pouze dostatečně kvalifikovaný personál.

## Čištění a dekontaminace

### ⚠ NEBEZPEČÍ

Před každým prováděním údržby odpojte kontrolér ze zdroje napájení.

Analyzátor obvykle nevyžaduje žádné čištění ani dekontaminaci. Navlhčenou utěrkou a jemným mýdlovým roztokem očistěte vnější části přístroje. K čištění měřicího přístroje včetně displeje a příslušenství nikdy nepoužívejte čisticí prostředky, jako je např. terpentýn, aceton a podobné látky.

## Řešení problémů

### Seznam varování

Varovná ikona má podobu trojúhelníku s vykřičníkem. Výstražné ikony se objevují na pravé straně hlavního displeje pod jednotkou měření. Varování neovlivní provoz nabídek, vysílání a výstupů. Chcete-li zobrazit výstrahy, stiskněte klávesu **menu** a vyberte možnost DIAGNOSTICS (DIAGNOSTIKA). Potom vyberte přístroj, abyste mohli sledovat problém, který se u něj vyskytl. Jakmile bude problém odstraněn nebo zjištěn, výstražná ikona se již nebude zobrazovat.

Seznam možných varování je uveden v [Tabulka 5](#).

**Tabulka 5 Seznam výstrah pro snímače absorbérů kyslíku**

Varování	Popis	Řešení
O2 SCAVENGER TOO HIGH (ABSORBÉR KYSLÍKU PŘÍLIŠ VYSOKÝ)	Naměřená hodnota je > 10000 ppm	Ujistěte se, že se hladina absorbéru kyslíku (hydrazinu nebo karbohydrazidu) v procesní vodě nachází v rozmezí provozního limitu snímače. Zkalibrujte nebo vyměňte snímač.
O2 SCAVENGER TOO LOW (ABSORBÉR KYSLÍKU PŘÍLIŠ NÍZKÝ)	Naměřená hodnota je < 0 ppm	Zkalibrujte nebo vyměňte snímač.
TEMP TOO HIGH (Teplota příliš vysoká)	Naměřená teplota je > 50 °C	Snižte teplotu vzorku.
TEMP TOO LOW (Příliš nízká teplota)	Naměřená teplota je < 0 °C	Zvyšte teplotu vzorku.
CURRENT TOO HIGH (Proud příliš vysoký)	Naměřený proud > 200 mA	Ujistěte se, že se hladina absorbéru kyslíku (hydrazinu nebo karbohydrazidu) v procesní vodě nachází v rozmezí provozního limitu snímače. Zkalibrujte nebo vyměňte snímač.

**Tabulka 5 Seznam výstrah pro snímače absorberů kyslíku (pokračování)**

Varování	Popis	Řešení
CURRENT TOO LOW (Proud příliš nízký)	Naměřený proud < -5 mA	Zkalibrujte nebo vyměňte snímač.
CAL OVERDUE (Prošlá kalibrace)	Čas pro organizér kalibrace vypršel	Kalibrujte snímač.
VYMĚNIT SNÍMAČ	Snímač je v provozu více než 365 dní	Vyměňte vložku snímače a proveďte kalibraci snímače. Pokud kalibrace proběhne úspěšně, vynulujte počet dnů provozu membrány v nabídce DIAG/TEST (Diagnostika/test).
NOT CALIBRATED (Není kalibrován)	Snímač nebyl kalibrován.	Kalibrujte snímač.
PROBÍHÁ KALIBRACE	Kalibrace byla zahájena, ale ne dokončena	Vraťte se ke kalibraci.

## Náhradní díly a příslušenství

Informace o dílech a příslušenství kontroléru naleznete v části o náhradních dílech a příslušenství kontroléru.

**Poznámka:** Čísla produktů a položek se mohou v některých prodejních oblastech lišit. Obratě se na příslušného distributora, kontaktní informace naleznete na webových stránkách společnosti.

### Sada náhradních dílů na 2 roky – 09186=A=8000

Popis	Množství	Položka č.
Filtr	6	363877,06000
Referenční elektroda	1	368429,00000
Vstřikovací tryska Venturi	1	359090,00024
O-kroužek pro vstřikovací trysku Venturi	1	356099,05090
Plastové čisticí korálky	7	588801,75008
PE potrubí 4 × 6 mm	2 metry	151575,00006

### Měřicí elektroda

Popis	Položka č.
Měřicí elektroda	09186=A=0100
Referenční elektroda	368429,00000
Pracovní elektroda	09186=A=0300
Vstupní ohnutá armatura G1/8 DN 4/6	359103,10070
Výstupní armatura G1/8 DN6/8	359103,10055
Zátka NPT1/8	431=201=018
Láhev pro přípravu s vybavením	09186=A=0200
Hnědá skleněná láhev	490=010=011
Porézní zásobník	09073=C=0340
Armatura G1/8 DN4/6	359103,10065

**Měřicí elektroda (pokračování)**

<b>Popis</b>	<b>Položka č.</b>
Osazený kontrolér průtoku	09186=A=0400
Vstupní armatura G1/4 DN4/6	587=006=002
Krátká ohnutá armatura G1/4 DN4/6	359103,10072
Dlouhá ohnutá armatura G1/4 DN4/6	587=906=002
Průtokoměr	694=000=001
Ohnutá armatura NPT1/8 DN4/6	359103,10170

**Příslušenství**

<b>Popis</b>	<b>Položka č.</b>
Zásobník pro kalibraci chemické nuly	09186=A=0600

# Inhoudsopgave

[Specificaties](#) op pagina 180

[Bediening](#) op pagina 196

[Algemene informatie](#) op pagina 182

[Onderhoud](#) op pagina 199

[Installatie](#) op pagina 184

[Foutenopsporing](#) op pagina 199

[Opstarten](#) op pagina 193

[Reserveonderdelen en accessoires](#) op pagina 200

[Gebruikersinterface en navigatie](#) op pagina 193

## Uitgebreide versie van de handleiding

Raadpleeg de uitgebreide versie van deze handleiding, die beschikbaar is op de website van de fabrikant, voor informatie.

## Specificaties

Specificaties kunnen zonder kennisgeving vooraf worden gewijzigd.


### Paneel

Specificatie	Gegevens
Afmetingen	817 x 300 x 140 mm
Gewicht	14,6 kg
Monsterdebiet	10—15 liter/uur
Bedrijfsdruk	0,5—6 bar
Omgevingstemperatuur	0—60 °C
Relatieve vochtigheid	10—90%
Werkelektrode	Platina
Tellerelektrode	Roestvrij staal
Referentie	Ag / AgCl / KCl 0,1 M
Meetcel	Acryl
Monsterconditioner	DIPA (diisopropylamine)
Europese normen	EN 61326 Klasse A voor EMC; EN 601010-1 voor laagspanningsveiligheid
Internationale normen	cETLus

### Sensor

Specificatie	Gegevens
Meetbereik	0—500 ppb hydrazine; 0—100 ppb carbohydrazide
Gevoeligheid	< 0,2 ppb
Herhaalbaarheid	1 ppb of $\pm 2\%$ van de meting, welk van de twee het grootst is
Detectielimiet	$\leq 1$ ppb
Responstijd	< 60 seconden
Meetbereik monstertemperatuur	5—45 °C

## Controller

Specificatie	Gegevens
Componentomschrijving	Microprocessorgestuurde en menugestuurde controller die de sensor aanstuurt en meetwaarden weergeeft.
Temperatuurbereik gebruik	-20 tot 60 °C (-4 tot 140 °F); 95% relatieve vochtigheid, niet-condenserend bij sensorbelasting <7 W; -20 tot 50 °C (-4 tot 104 °F) bij sensorbelasting <28 W
Temperatuurbereik opslag	-20 tot 70 °C (-4 tot 158 °F); 95% relatieve vochtigheid, niet-condenserend
Behuizing <sup>1</sup>	Metalen behuizing met corrosiebestendige toplaag volgens NEMA 4X/IP66
Voeding	<p><b>Controller met AC-voeding:</b> 100-240 V AC ±10%, 50/60 Hz; vermogen 50 VA bij 7 W sensor/netwerkmodule-belasting, 100 VA bij 28 W sensor/netwerkmodule-belasting (optioneel Modbus, RS232/RS485, Profibus DPV1 of HART-netwerkaansluiting).</p> <p><b>Controller met 24 V DC-voeding</b> 24 V DC—15%, + 20%; vermogen 15 W bij 7 W sensor/netwerkmodule-belasting, 40 W bij 28 W sensor/netwerkmodule-belasting (optioneel Modbus, RS232/RS485, Profibus DPV1 of HART-netwerkaansluiting).</p>
Gebruikshoogte	Standaard 2000 m boven NAP
Vervuilingsgraad/installatiecategorie	Vervuilingsgraad 2; installatiecategorie II
Uitgangen	Twee analoge uitgangen (0-20 mA of 4-20 mA). Elke analoge uitgang kan worden toegewezen voor een gemeten parameter, zoals pH, temperatuur, flow of berekende waarden. De module kan optioneel drie extra analoge uitgangen (5 in totaal) voeden.
Relais	Vier SPDT, door de gebruiker te configureren contacten van 250 V AC, 5 A resistief maximaal voor de controller met AC-voeding en met 24 V DC-voeding, 5 A resistief maximaal voor de controller met DC-voeding. Relais zijn bedoeld voor aansluiting op AC-netspanningscircuits (d.w.z. wanneer de controller werkt op een spanning van 115 - 240 V AC) of DC-circuits (d.w.z. wanneer de controleer op een spanning van 24 V DC werkt).
Afmetingen	½ DIN—144 x 144 x 180,9 mm (5,7 x 5,7 x 7,12 inch)
Gewicht	1,7 kg
EMC-vereisten	EN61326-1: EMC-richtlijn <b>Opmerking:</b> Dit is een product van klasse A. In een woonomgeving kan dit product radio-interferentie veroorzaken waar de gebruiker mogelijk maatregelen tegen moet treffen.
 Korean registration	<p><b>User Guidance for EMC Class A Equipment</b></p> <p>업무용을 위한 EMC 등급 A 장치에 대한            사용자 지침            사용자안내문            A 급 기기 ( 업무용 방송통신기자재 )            이 기기는 업무용 ( A 급 ) 전자파적합기기로서 판매자 또는 사용자는 이 점을 주의하시기 바라며 , 가정외의 지역에서 사용하는 것을 목적으로 합니다.</p>
CE-markering	EN61010-1: LVD-richtlijn
Digitale communicatie	Optionele Modbus, RS232/RS485, Profibus DPV1 of HART-netwerkaansluiting voor datatransmissie

<sup>1</sup> Eenheden die zijn voorzien van het Underwriters Laboratories (UL)-certificaat zijn uitsluitend bedoeld voor binnenopstelling en voldoen niet aan NEMA 4X/IP66-classificatie.

Specificatie	Gegevens
Het loggen van gegevens	Secure Digital-kaart (max. 32 GB) of speciale RS232-kabelconnector voor logboekregistratie en software-updates. De controller slaat circa 20.000 gegevenspunten per sensor op.
Garantie	2 jaar

## Algemene informatie

De fabrikant kan onder geen enkele omstandigheid aansprakelijk worden gesteld voor directe, indirecte, speciale, incidentele of continue schade die als gevolg van enig defect of onvolledigheid in deze handleiding is ontstaan. De fabrikant behoudt het recht om op elk moment, zonder verdere melding of verplichtingen, in deze handleiding en de producten die daarin worden beschreven, wijzigingen door te voeren. Gewijzigde versies zijn beschikbaar op de website van de fabrikant.

## Veiligheidsinformatie

### LET OP

De fabrikant is niet verantwoordelijk voor enige schade door onjuist toepassen of onjuist gebruik van dit product met inbegrip van, zonder beperking, directe, incidentele en gevolgschade, en vrijwaart zich volledig voor dergelijke schade voor zover dit wettelijk is toegestaan. Uitsluitend de gebruiker is verantwoordelijk voor het identificeren van kritische toepassingsrisico's en het installeren van de juiste mechanismen om processen te beschermen bij een mogelijk onjuist functioneren van apparatuur.

Lees deze handleiding voor het uitpakken, installeren of gebruiken van het instrument. Let op alle waarschuwingen. Wanneer u dit niet doet, kan dit leiden tot ernstig persoonlijk letsel of schade aan het instrument.

Controleer voor gebruik of het instrument niet beschadigd is. Het instrument mag op geen andere wijze gebruikt worden dan als in deze handleiding beschreven.

### Gebruik van gevarencinformatie

#### ▲ GEVAAR

Geeft een potentieel gevaarlijke of dreigende situatie aan die, als deze niet kan worden voorkomen, kan resulteren in dodelijk of ernstig letsel.

#### ▲ WAARSCHUWING

Geeft een potentieel of op handen zijnde gevaarlijke situatie aan, die als deze niet wordt vermeden, kan leiden tot dood of ernstig letsel.

#### ▲ VOORZICHTIG



Geeft een mogelijk gevaarlijke situatie aan die kan resulteren in minder ernstig letsel of lichte verwondingen.

### LET OP

Duidt een situatie aan die (indien niet wordt voorkomen) kan resulteren in beschadiging van het apparaat. Informatie die speciaal moet worden benadrukt.

## Waarschuwinglabels

Lees alle labels en etiketten die op het instrument zijn bevestigd. Het niet naleven van deze waarschuwingen kan leiden tot letsel of beschadiging van het instrument. In de handleiding wordt door middel van een veiligheidsvoorschrift uitleg gegeven over een symbool op het instrument.

	Dit is het symbool voor veiligheidswaarschuwingen. Volg alle veiligheidsberichten op die after dit symbool staan, om mogelijk letsel te voorkomen. Als u dit symbool op het apparaat ziet, moet u de instructiehandleiding raadplegen voor informatie over de werking of veiligheid.
	Dit symbool geeft aan dat er een risico op een elektrische schok en/of elektrocutie bestaat.

	Dit symbool wijst op de aanwezigheid van apparaten die gevoelig zijn voor elektrostatische ontlading en geeft aan dat voorzichtigheid betracht dient te worden om schade aan de apparatuur te voorkomen.
	Wanneer dit symbool op een product staat, geeft dit aan dat het instrument aangesloten is op wisselstroom.
	Elektrische apparatuur gemarkeerd met dit symbool mag niet worden afgevoerd via Europese systemen voor afvoer van huishoudelijk of openbaar afval. Oude apparatuur of apparatuur aan het einde van zijn levensduur kan naar de fabrikant worden geretourneerd voor kosteloze verwerking.
	Als dit symbool op het product staat, betekent dit dat het giftige of gevaarlijke stoffen of elementen bevat. Het getal in het symbool geeft de ecologische gebruiksduur in jaren aan.
	Als dit symbool op het product staat, betekent dit dat het product voldoet aan relevante EMC-standaarden van Zuid-Korea.

## Certificering

### IECS-003 certificering ten aanzien van radio-inteferentie, Klasse A:

Aanvullende informatie en testresultaten zijn via de fabrikant verkrijgbaar.

Dit Klasse A instrument voldoet aan alle eisen van de Canadese norm IECS-003.

### FCC deel 15, Klasse "A" bepalingen

Aanvullende informatie en testresultaten zijn via de fabrikant verkrijgbaar. Dit instrument voldoet aan Deel 15 van de FCC-voorschriften. Het gebruik van dit instrument is aan de volgende voorwaarden onderworpen:

1. Het instrument mag geen schadelijke storingen veroorzaken.
2. Het instrument moet elke willekeurige ontvangen storing accepteren, inclusief storingen die mogelijk een ongewenste invloed kunnen hebben.

Door veranderingen of aanpassingen aan dit toestel die niet uitdrukkelijk zijn goedgekeurd door de partij verantwoordelijk voor certificering, kan de certificering van dit instrument, komen te vervallen. Dit apparaat is getest en voldoet aan de normen voor een elektrisch instrument van Klasse A, volgens Deel 15 van de FCC-voorschriften. Deze voorwaarden zijn opgesteld dat ze een goede bescherming bieden tegen hinderlijke storingen wanneer het instrument in een bedrijfsgerelateerde toepassing wordt gebruikt. Dit instrument produceert, gebruikt en kan radiogolven uitstralen. Wanneer het niet geïnstalleerd en gebruikt wordt volgens de handleiding, hinderlijke storing voor radiocommunicatie veroorzaken. Werking van het instrument in een huiselijke omgeving zal waarschijnlijk zorgen voor hinderlijke storing, in welk geval de gebruiker de storing dient te verhelpen. Om storingen op te lossen kan het volgende geprobeerd worden:

1. Ontkoppel het instrument van zijn stroombron om te controleren of deze stroombron al dan niet de storing veroorzaakt.
2. Als het instrument op hetzelfde stopcontact is aangesloten als het apparaat dat storing ondervindt, dient u het apparaat op een ander stopcontact aan te sluiten.
3. Plaats het apparaat weg van het apparaat waarop de storing van toepassing is.
4. Verplaats de ontvangstantenne voor het apparaat dat de storing ontvangt.
5. Probeer verschillende combinaties van de hierbovengenoemde suggesties.

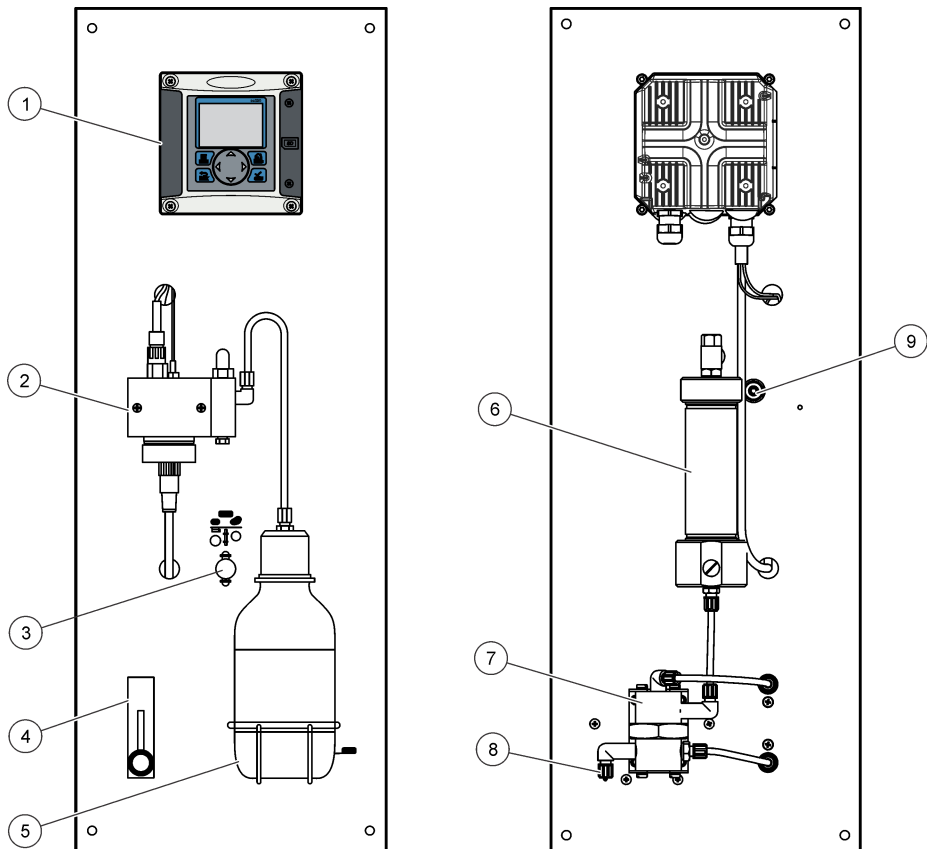
## Productcomponenten

Controleer of alle componenten zijn ontvangen. Neem onmiddellijk contact op met de fabrikant of een verkoopvertegenwoordiger in geval van ontbrekende of beschadigde onderdelen.

## Productoverzicht

De analysator is ontworpen om voortdurend de hoeveelheid zuurstofabsorberende middelen (hydrazine of carbohydraze) in water te meten.

Afbeelding 1 Voor- en achteraanzicht



1 Controller	6 Cartridge voor chemisch nulstellen (optie)
2 Meetcel	7 Drukregelaar
3 Chemisch nulstellen aan/uit (optie)	8 Monster in, 4/6mm-leiding
4 Stromingsmeter	9 Monsteraftappunt, 6/8mm-leiding, atmosferische druk
5 Fles voor conditioneren monster (DIPA)	

## Installatie

### ▲ VOORZICHTIG



Diverse gevaren. Alleen bevoegd personeel mag de in dit deel van het document beschreven taken uitvoeren.



## Bevestiging van de analyser

### ⚠ VOORZICHTIG

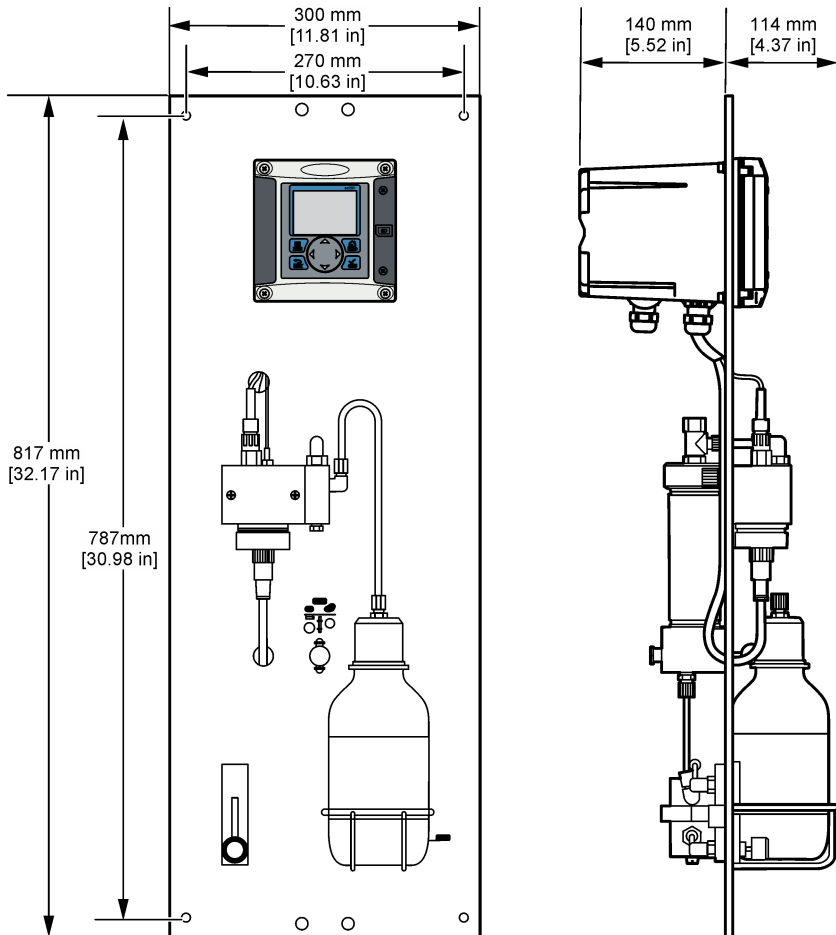
Risico op persoonlijk letsel. De instrumenten of onderdelen zijn zwaar. Schakel assistentie in bij het installeren of verplaatsen. Zorg ervoor dat de wandmontage vier keer het gewicht van de apparatuur kan dragen.

### LET OP

De analysator moet verticaal uitgelijnd zijn om de nauwkeurigheid te garanderen.

Bevestig de analyser op een stabiel verticaal oppervlak. Gebruik een waterpas om er zeker van te zijn dat de analyser geheel verticaal staat. Raadpleeg de volgende richtlijnen.

- Plaats het instrument op een plaats die toegankelijk is voor bediening, onderhoud en kalibratie.
- Zorg dat het display en de bedieningsknoppen goed zichtbaar zijn.
- Houd het instrument uit de buurt van warmtebronnen.
- Houd het instrument uit de buurt van trillingen.
- Houd de monsterslangen zo kort mogelijk om de responstijd te minimaliseren.
- Controleer of er geen lucht in de monstertoevoerleiding zit.

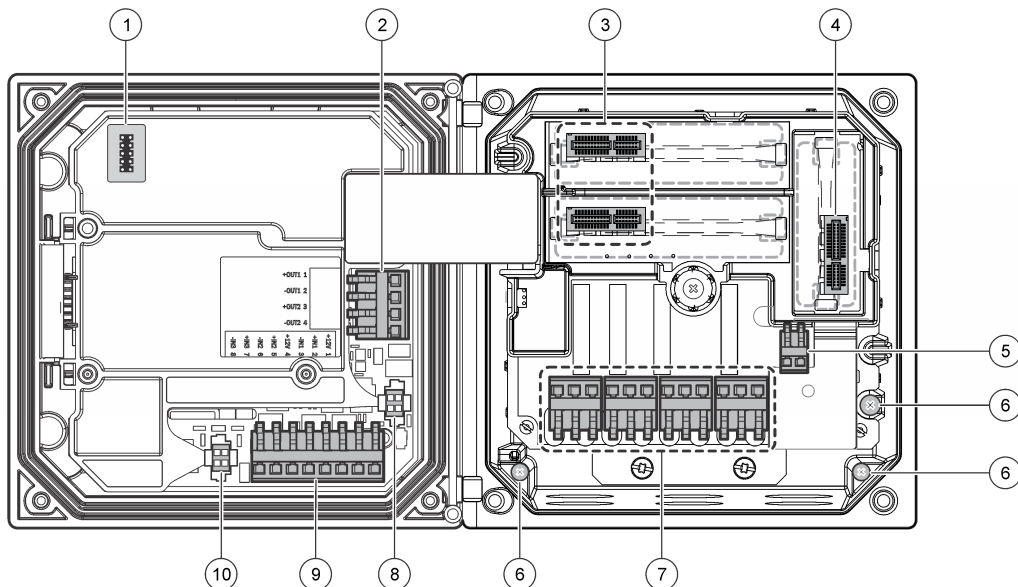


## Bedradingsoverzicht

Afbeelding 2 toont een overzicht van de bedringsaansluitingen in de controller wanneer de hoogspanningsbarrière is verwijderd. De linkerzijde van de afbeelding toont de achterzijde van het controllerdekseel.

**Opmerking:** Verwijder de afdekkingen van de connectoren voordat u de module installeert.

Afbeelding 2 Overzicht van bedringsaansluitingen



1 Servicekabelaansluiting	5 AC- en DC-voedingsconnector <sup>2</sup>	9 Bedringsconnector van discrete ingangen <sup>2</sup>
2 Uitgang 4-20 mA <sup>2</sup>	6 Aardingsklemmen	10 Connector voor digitale sensor <sup>2</sup>
3 Connector voor sensormodule	7 Relaisaansluitingen <sup>2</sup>	
4 Connector voor communicatiemodule (bijv. Modbus, Profibus, HART, optioneel 4-20 mA-module, etc.)	8 Connector voor digitale sensor <sup>2</sup>	

### Hoogspanningsbarrière

De hoogspanningskabels voor de controller worden achter de hoogspanningsbarrière in de behuizing van de controller geleid. Behalve tijdens het installeren van modules of als een bevoegde installatietechnicus bedradingen voor netvoeding, alarmen, uitgangen of relais aanbrengt, moet de barrière op zijn plaats blijven. Verwijder de barrière niet wanneer de controller onder spanning staat.

### Voedingsbedrading

#### ⚠ WAARSCHUWING



Potentieel gevaar van elektrische schok. Bij het aanbrengen van elektrische verbindingen dient men altijd de stroom naar het instrument los te koppelen.

<sup>2</sup> Aansluitingen kunnen worden verwijderd voor gemakkelijkere toegang.

## ⚠ WAARSCHUWING



Potentieel gevaar van elektrische schok. Als dit apparaat buiten of op mogelijke natte locaties wordt gebruikt, moet een apparaat voor **stroomonderbreking** worden gebruikt om het apparaat op de stroomvoorziening aan te sluiten.

## ⚠ GEVAAR



Elektrocutiegevaar. Niet de wisselstroom aan een model verbinden die 24 VDC gebruikt.

## ⚠ WAARSCHUWING



Potentieel gevaar van elektrische schok. Voor bedradingstoepassingen van 100-240 VAC en 24 VDC wordt een beschermende aardingsverbinding vereist. Het verzuim op een goede aardingsverbinding aan te sluiten kan in gevaar op schok resulteren en een slechte prestatie leveren wegens elektromagnetische storingen. Sluit **ALTIJD** een goede aarding op de aansluitingsklem van de controller aan.

## LET OP

Installeer het apparaat op een locatie en in een positie waardoor eenvoudige toegang wordt verkregen om het apparaat en de werking ervan uit te schakelen.

De controller is verkrijgbaar als model voor voeding met 100-240 VAC of met 24 VDC. Volg de juiste bedradinginstructies voor het aangeschafte model.

De controller kan op de netvoeding worden aangesloten door middel van een vaste bedrading in een kabelbuis of door middel van een netsnoer. Onafhankelijk van de gebruikte bedrading wordt de bedrading met dezelfde aansluitklemmen verbonden. Om aan de plaatselijke elektriciteitscode te voldoen wordt een plaatselijke loskoppeling vereist en deze moet voor alle types installatie worden geïdentificeerd. Bij vaste bedrading moeten de huisaansluitingen van de net- en veiligheidsaarde voor het instrument worden uitgevoerd met een draad van 18 tot 12 AWG. Zorg ervoor dat de isolatie van de veldbekabeling minimaal tegen 80 °C (176 °F) bestand is.

### Opmerkingen:

- De spanningsbarrière moet worden verwijderd, voordat er enige elektrische aansluiting tot stand wordt gebracht. Breng de spanningsbarrière na het aansluiten opnieuw aan voordat u het deksel van de controller sluit.
- Er mag een trekontlasting met afdichting en een netsnoer met een lengte van max. 3 meter (10 ft) met 18-gauge geleiders (inclusief een veiligheidsaarddraad) worden gebruikt om aan de omgevingsclassificatie NEMA 4X/IP66 te voldoen.
- Controllers kunnen worden besteld met voorgemonteerde AC-netsnoeren. Er kunnen ook extra netsnoeren worden besteld.
- De DC-voedingsbron die de DC-controller met 24 VDC voedt, moet de spanning tussen de voorgeschreven spanningsgrenzen van 24 VDC-15% +20% houden. De DC-voedingsbron moet tevens voldoende bescherming bieden tegen spanningspieken en spanningsverschillen.

### Bedradingprocedure

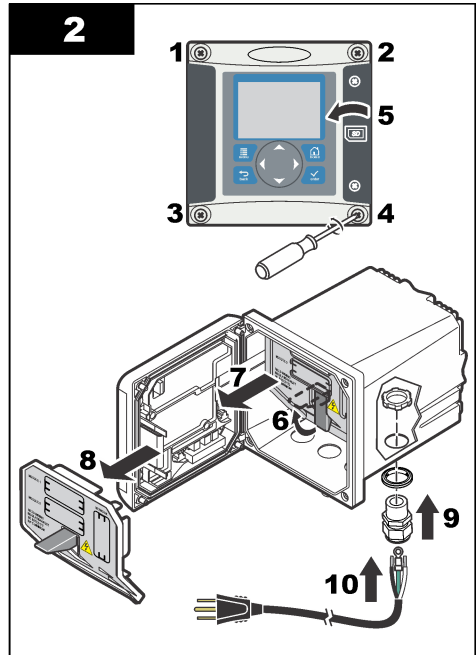
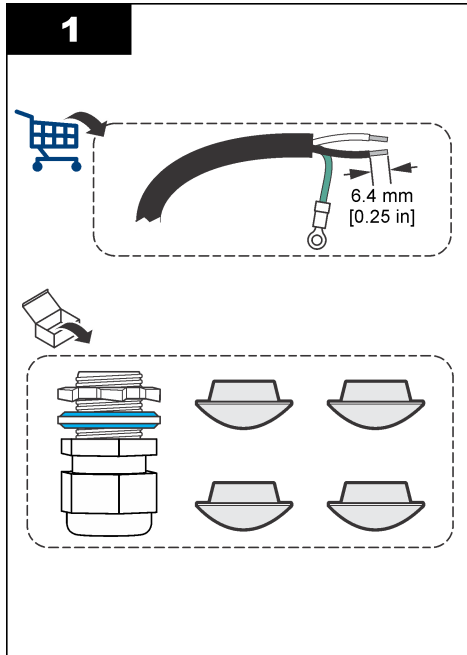
Volg de hieronder afgebeelde stappen en raadpleeg [Tabel 1](#) of [Tabel 2](#) voor het aansluiten van de voedingsdraden op de controller. Steek elke draad zo ver in de juiste aansluitklem dat de isolatie tegen de connector zit en er geen draadgedeelte blootligt. Na het aanbrengen voorzichtig aandrukken, zodat er een goede aansluiting is. Sluit ongebruikte openingen in de controllerbox af met afdichtpluggen voor de doorvoeropeningen.

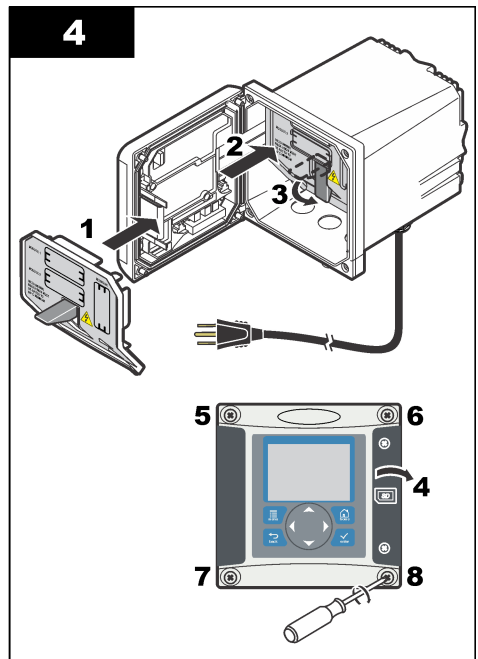
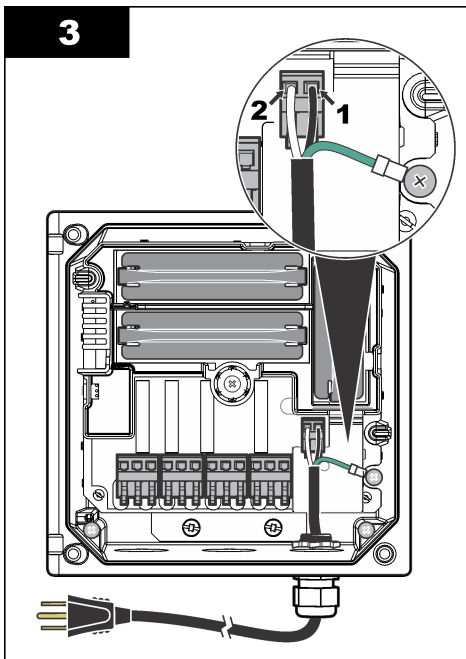
**Tabel 1 Informatie over de AC-voedingsbedrading (uitsluitend modellen met AC-voeding)**

Klem	Beschrijving	Kleur—Noord-Amerika	Kleur – EU
1	Warm (L1)	Zwart	Bruin
2	Neutraal (N)	Wit	Blauw
—	Aardingsstrip van de veiligheidsaarde (PE)	Groen	Groen met gele streep

**Tabel 2 Informatie over de DC-voedingsbedrading (uitsluitend modellen met DC-voeding)**

Klem	Beschrijving	Kleur – Noord-Amerika	Kleur—EU
1	+24 V DC	Rood	Rood
2	24 V DC retour	Zwart	Zwart
—	Aardingsstrip van de veiligheidsaarde (PE)	Groen	Groen met gele streep





### Alarmen en relais

De controller is uitgerust met vier potentiaalvrije enkelpolige relais met een maximale ohmse belasting van 100-250 VAC, 50/60 Hz, 5 A. De contacten hebben een maximale ohmse belasting van 250 VAC, 5 A bij de met wisselstroom gevoede controller en een maximale ohmse belasting van 24 VDC, 5 A bij de met gelijkspanning gevoede controller. De relais zijn niet berekend op inductieve belastingen.

### Bedrading van relais

#### ⚠ WAARSCHUWING



Potentieel gevaar van elektrische schok. Bij het aanbrengen van elektrische verbindingen dient men altijd de stroom naar het instrument los te koppelen.

#### ⚠ WAARSCHUWING



Potentieel brandgevaar. De relaiscontacten kunnen worden belast met een nominale stroom van 5 A en zijn niet afgezekerd. Op de relais aangesloten externe belastingen moeten zijn voorzien van stroombegeerders die de stroom tot < 5 A beperken.

#### ⚠ WAARSCHUWING



Potentieel brandgevaar. Schakel de gemeenschappelijke relaisaansluitingen of de jumperdraad van de voedingsaansluiting binnen in het instrument niet in serie.

#### ⚠ WAARSCHUWING



Potentieel gevaar van elektrische schok. Om de NEMA/IP-classificatie van de behuizing te behouden, mogen er voor het leggen van kabels in het instrument uitsluitend doorvoertules en kabelwartels worden gebruikt die ten minste voldoen aan NEMA 4X/IP66.

### AC-gevoede (100—250 V) controllers

## ▲ WAARSCHUWING



Potentieel gevaar van elektrische schok. Controllers met AC-voeding (115 V - 230 V) zijn ontworpen voor relisaansluitingen op AC-netvoedingen (d.w.z. spanning hoger dan 16 V-RMS, 22,6 V-PIEK of 35 VDC).

Het bedradingscompartiment is niet berekend op spanningsaansluitingen van meer dan 250 VAC.

### 24 VDC-gevoede controllers

## ▲ WAARSCHUWING



Potentieel gevaar van elektrische schok. Controllers met 24 V zijn ontworpen voor relisaansluitingen op laagspanningscircuits (d.w.z. spanning lager dan 16 V-RMS, 22,6 V-PIEK of 35 VDC).

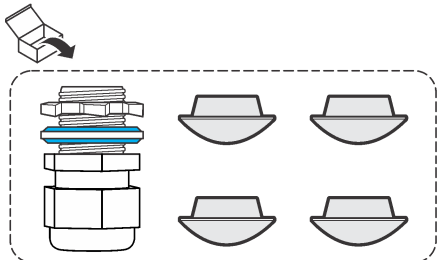
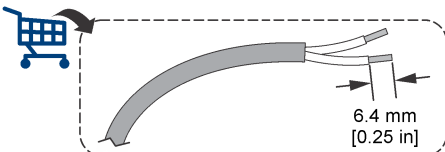
De relais van de 24 V DC-controllers zijn ontworpen voor aansluiting op laagspanningscircuits (d.w.z. spanning lager dan 30 V-RMS, 42,2 V-PIEK of 60 V DC). Het bedradingscompartiment is niet berekend op spanningsaansluitingen boven deze niveaus.

De relaisconnector is geschikt voor 18-12 AWG-draad (afhankelijk van de belastingstoepassing). Draadmaten van minder dan 18 AWG worden niet aanbevolen. Zorg ervoor dat de isolatie van de veldbekabeling minimaal tegen 80 °C (176 °F) bestand is.

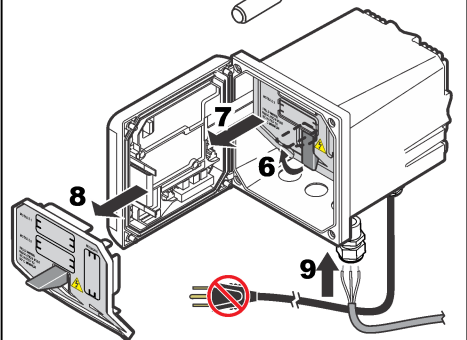
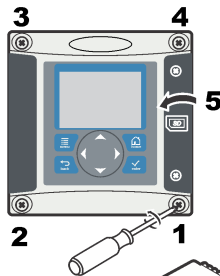
De normaal open (NO, maakcontact) en gemeenschappelijke (COM) relaiscontacten spreken aan als er een alarm- of andere conditie actief is. De normaal gesloten (NC, verbreekcontact) en gemeenschappelijke (COM) relaiscontacten spreken aan als een alarm- of andere conditie inactief is (tenzij de Fail-Safe-functie op Ja is ingesteld) of wanneer de voeding van de controller wordt uitgeschakeld.

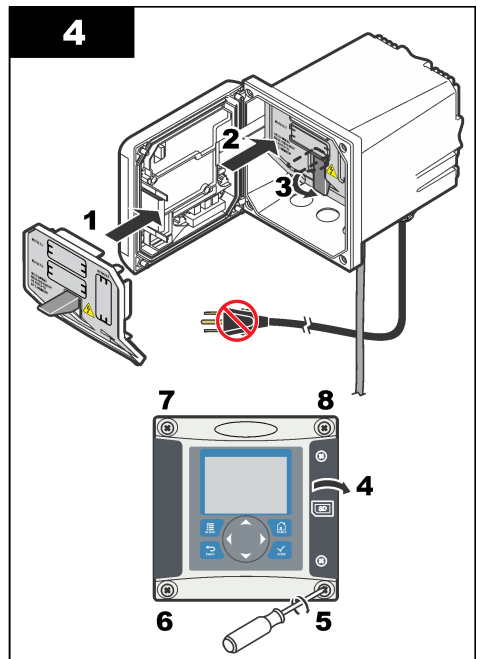
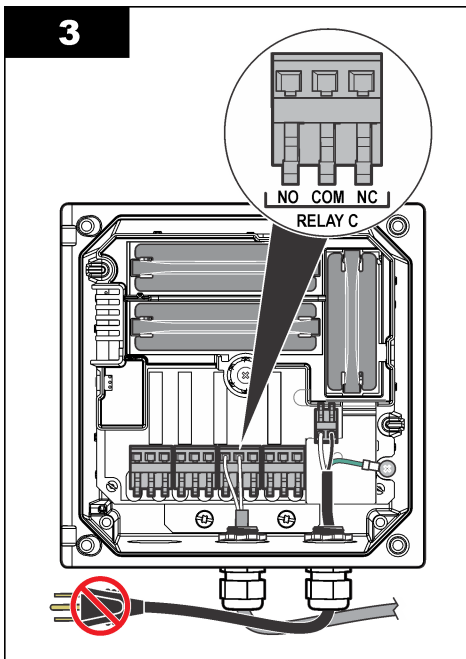
De meeste relisaansluitingen gebruiken hetzij NO- en COM-klemmen of NC- en COM-klemmen. De genummerde installatiestappen geven de aansluiting op de NO- en COM-klemmen weer.

1



2





### Analoge uitgangsaansluitingen

#### ⚠ WAARSCHUWING



Potentieel gevaar van elektrische schok. Bij het aanbrengen van elektrische verbindingen dient men altijd de stroom naar het instrument los te koppelen.

#### ⚠ WAARSCHUWING



Potentieel gevaar van elektrische schok. Om de NEMA/IP-classificatie van de behuizing te behouden, mogen er voor het leggen van kabels in het instrument uitsluitend doorvoertules en kabelwartels worden gebruikt die ten minste voldoen aan NEMA 4X/IP66.

Er zijn twee geïsoleerde analoge uitgangen (1 en 2) aanwezig (Afbeelding 3). Dergelijke uitgangen worden meestal gebruikt voor analoge signalering of voor het bedienen van externe apparaten..

Sluit de bedrading aan op de controller zoals weergegeven in Afbeelding 3 en Tabel 3.

**Opmerking:** Afbeelding 3 toont de achterzijde van het controllerdeksel en niet de binnenzijde van het compartiment van de hoofdcontroller.

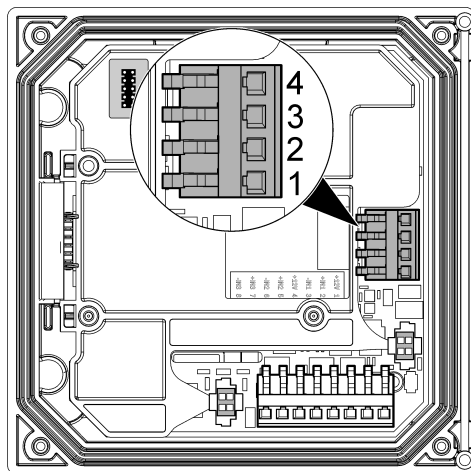
Tabel 3 Uitgangsaansluitingen

Recorderbedrading	Positie op de printplaat
Uitgang 2-	4
Uitgang 2+	3
Uitgang 1-	2
Uitgang 1+	1

1. Open het deksel van de controller.
2. Leid de bedrading door de trekontlasting.
3. Pas de draad indien nodig aan en zet de trekontlasting vast.

4. Maak de recorderaansluitingen met gedraaide afgeschermd bedrading en sluit de afscherming aan op het bestuurd onderdeeldeinde of bij het regelluseinde.
  - Verbind de afscherming niet aan beide uiteinden van de kabel.
  - Gebruik van een niet afgeschermd kabel kan zorgen voor storingen en verschil in meetwaarden.
  - De maximale lusweerstand is 500 ohm.
5. Sluit het deksel van de controller en draai de schroeven van het deksel aan.
6. Configureer de uitgangen in de controller.

### Afbeelding 3 Analoge uitgangsaansluitingen



### De optionele digitale communicatie-uitgang aansluiten

De communicatieprotocollen Modbus RS485, Modbus RS232, Profibus DPV1 en HART worden ondersteund. De optionele digitale uitgangsmodule wordt geïnstalleerd op de locatie die wordt aangegeven door item 4 in [Afbeelding 2](#) op pagina 186. Raadpleeg de instructies die met de netwerkmodule worden meegeleverd voor meer details.

### Monster- en afvoerleidingen aansluiten

Sluit de monster- en afvoerleidingen aan op de koppelingen aan de achterzijde van het paneel.

1. Sluit de monsterleiding aan op de koppeling van de inlaatleiding met een buitendiameter van 4/6 mm.
2. Sluit een afvoerleiding aan op de koppeling van de afvoerleiding met een buitendiameter van 6/8 mm. Houd de afvoerleiding zo kort mogelijk bij atmosferische druk.



## Plaatsen van de reagentia

### ⚠ WAARSCHUWING



Gevaar van blootstelling aan chemicaliën. Volg alle laboratorium technische veiligheidsvoorschriften op en draag alle persoonlijke beschermingsuitrustingen die geschikt zijn voor de gehanteerde chemicaliën. Raadpleeg de huidige veiligheidsinformatiebladen (MSDS/SDS) voor veiligheidsprotocollen.

1. Vul de lege conditioneringsfles voor monsters met DIPA (diisopropylamine) en voer de gevaarlijke reagens informatie in op het blanco label dat aan de fles bevestigd is.
2. Plaats de monsterconditioneringsfles aan de voorzijde van de analyser.
3. Sluit de meegeleverde slang aan op de meetkuvet. Plaats de slang geheel in de fles met conditioneringsoplossing. Zorg dat de slangfittingen strak zitten om te voorkomen dat er dampen uit de conditioneringsfles in de omgeving lekken.
4. Als de chemische nulpatroon wordt gebruikt, moet de patroon aan de achterzijde van de analyser worden geplaatst.

## Opstarten

Zorg dat het debiet en de druk de waarden in [Specificaties](#) op pagina 180 niet overschrijden.

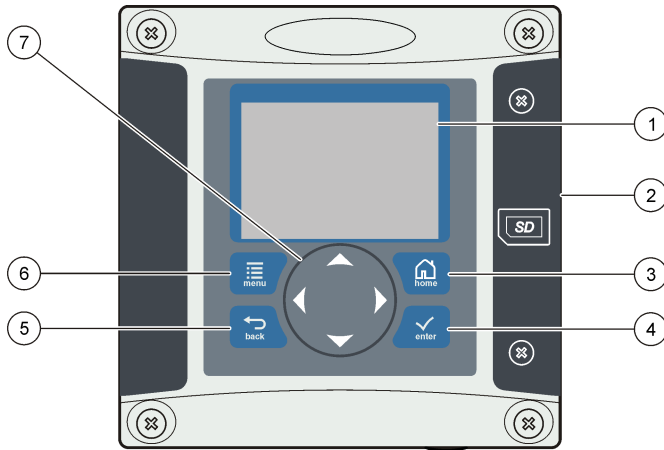
1. Open het ventiel van de monsterleiding om het monster door de analyser te laten stromen.
2. Draai aan de knop op de debietmeter om het debiet in te stellen.
3. Controleer de slangen op lekken en dicht alle gevonden lekken.
4. Schakel de controller in.
5. Voer de desbetreffende menuselecties uit wanneer de controller start.

## Gebuiikersinterface en navigatie

### Gebuiikersinterface

Het toetsenpaneel heeft vier menu-toetsen en vier cursor-toetsen, zoals afgebeeld in [Afbeelding 4](#).

## Afbeelding 4 Aanzicht van toetsenpaneel en frontpaneel



1 Display	5 <b>TERUG</b> -toets. Keert een niveau terug in de menustructuur.
2 Kapje over de sleuf voor de Secure Digital-geheugenkaart	6 <b>MENU</b> -toets. Gaat van andere schermen en submenu's naar het instellingenmenu.
3 <b>HOME</b> -toets. Gaat van andere schermen en submenu's naar het hoofdmeetscherm.	7 Cursortoetsen. Voor het navigeren door de menu's, het wijzigen van instellingen en het verhogen of verlagen van cijfers.
4 <b>ENTER</b> -toets. Accepteert ingangswaarden, updates of weergegeven menuopties.	

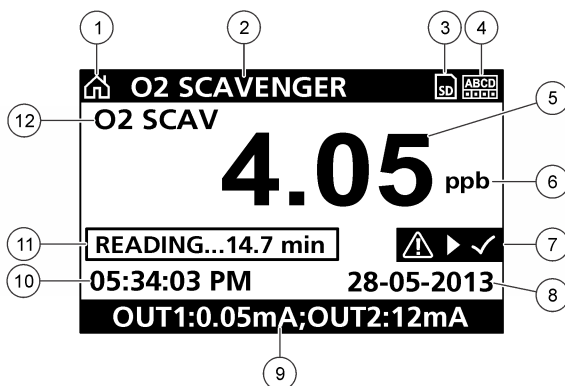
Ingangen en uitgangen worden met behulp van het toetsenpaneel en displayscherm op het frontpaneel ingesteld en geconfigureerd. Deze gebruikersinterface wordt gebruikt om in- en uitgangen in te stellen en te configureren, om logboekinformatie te creëren en waarden te berekenen en om sensoren te kalibreren. De SD-interface kan worden gebruikt om logboekbestanden op te slaan en software te updaten.

## Display

**Afbeelding 5** toont een voorbeeld van het hoofdmeetscherm met de sensor aangesloten op de controller.

Het displayscherm op het frontpaneel toont meetgegevens van de sensor, kalibratie- en configuratie-instellingen, fouten, waarschuwingen en andere informatie.

## Afbeelding 5 Voorbeeld van het hoofdmeetscherm



1 Pictogram beginscherm	7 Waarschuwingsstatusbalk
2 Sensornaam	8 Date (Datum)
3 Pictogram SD-kaart	9 Analoge uitvoerwaarden
4 Relaisstatusindicator	10 Time (Tijd)
5 Meetwaarde	11 Voortgangsbalk
6 Meeteenheid	12 Meetparameter

Tabel 4 Omschrijvingen van pictogrammen

Pictogram	Beschrijving
Beginscherm	Het pictogram kan afhankelijk van het weergegeven scherm of menu variëren. Als er bijvoorbeeld een SD-kaart is geplaatst, verschijnt hier het pictogram van een SD-kaart wanneer de gebruiker zich in het menu SD-kaart Installatie bevindt.
SD-kaart	Dit pictogram verschijnt alleen als zich een SD-kaart in de sleuf van de lezer bevindt. Als een gebruiker zich in het menu SD-kaart Installatie bevindt, verschijnt dit pictogram in de hoek linksboven.
Waarschuwing	Een waarschuwingspictogram bestaat uit een uitroeptekens binnen een driehoek. Er verschijnen rechts in de hoofdweergave, onder de meetwaarde, pictogrammen met waarschuwingen. Druk op de <b>ENTER</b> -toets en selecteer vervolgens het apparaat om eventuele problemen met dat apparaat te bekijken. Er wordt geen pictogram met een waarschuwing meer weergegeven als alle problemen verholpen of bevestigd zijn.
Fout	Een foutpictogram bestaat uit een uitroeptekens binnen een cirkel. Wanneer zich een fout voordoet, knipperen afwisselend een pictogram van de foutmelding en het metingscherm in het hoofdscherm. Om de sensorfouten te bekijken, drukt u op de toets <b>MENU</b> (Menu) en selecteert u <b>Diagnostics</b> (Diagnose). Selecteer hierna een apparaat om problemen die aan dat apparaat gekoppeld zijn, te bekijken.

### Extra displayformaten

- Druk vanuit het hoofdmeetscherm op de pijltoets **OMHOOG** en **OMLAAG** om tussen de meetparameters om te schakelen.
- Druk vanuit het hoofdmeetscherm op de pijltoets **RECHTS** om naar een gedeeld scherm om te schakelen waarin maximaal 4 meetparameters worden weergegeven. Druk op de pijltoets **RECHTS** om extra metingen toe te voegen. Druk zo vaak als nodig is op de pijltoets **LINKS** om terug te keren naar het hoofdmeetscherm.
- Druk vanuit het hoofdmeetscherm op de pijltoets **LINKS** om naar de grafische weergave om te schakelen (zie [Grafisch display](#) op pagina 196 om de parameters te definiëren). Druk op de pijltoets **OMHOOG** en **OMLAAG** om tussen meetgrafieken om te schakelen

## Grafisch display

De grafiek toont concentraties en temperatuurmetingen voor elk kanaal dat in gebruik is. Met behulp van de grafiek kunnen trends eenvoudig worden bewaakt en worden wijzigingen in het proces weergegeven.

1. Selecteer vanuit het scherm van het grafisch display met de pijltoetsen omhoog en omlaag een grafiek en druk op de **HOME**-toets.
2. Selecteer een optie:

Optie	Beschrijving
<b>MEASUREMENT VALUE (waarde meting)</b>	Stel de meetwaarde voor het geselecteerde kanaal in. Selecteer Auto Scale (Automatisch aanpassen van de schaal) of Manually Scale (Handmatig aanpassen van de schaal). Voer de minimum- en maximummeetwaarden voor handmatig aanpassen van de schaal in
<b>DATUM- EN TIJDBEREIK</b>	Selecteer het datum- en tijdbereik uit de beschikbare opties

## Bediening

### Configureer de sensor

Gebruik menu CONFIGURE (configureren) om identificerende informatie voor de sensor in te voeren en opties voor het omgaan met gegevens en opslag te wijzigen.

1. Druk op toets **menu** en selecteer SENSOR SETUP>CONFIGURE (sensorinstellingen / configureren).
2. Gebruik de pijltoetsen om een optie te selecteren en druk op **enter**. Houd de pijltoetsen **omhoog** of **omlaag** ingedrukt om cijfers, tekens of interpunctie in te voeren. Druk op de pijltoets naar **rechts** om naar de volgende ruimte te gaan.

Optie	Beschrijving
<b>EDIT NAME (naam wijzigen)</b>	Wijzigt de naam die overeenkomt met de sensor bovenaan op het meetscherm. De naam is beperkt tot 16 karakters en mag bestaan uit een willekeurige combinatie van letter, cijfers, spaties en interpunctietekens.
<b>SENSOR S/N (serienummer sensor)</b>	Hiermee kan de gebruiker het serienummer van de sensor invoeren, beperkt tot 16 tekens in elke combinatie van letters, nummers, spaties of interpunctie.
<b>MEAS UNITS (meeteenheden)</b>	Wijzigt de meeteenheden - selecteer een eenheid uit de beschikbare lijst.
<b>TEMP UNITS (temperatuureenheden)</b>	Stelt de temperatuureenheden in op °C (standaard) of °F
<b>FILTER</b>	Stelt een tijdconstante in ter verhoging van de signaalstabiliteit. De tijdsconstante berekent de gemiddelde waarde gedurende een opgegeven tijd—0 (geen effect, standaard) tot 60 seconden (gemiddelde van signaalwaarde voor 60 seconden). De filter verlengt de benodigde tijd voor het sensorsignaal om te reageren op de werkelijke procesveranderingen.
<b>LOG SETUP (instellingen logbestand)</b>	Dit stelt de tijdsinterval voor gegevensopslag in de gegevenslog in—5, 30 seconden, 1, 2, 5, 10, 15 (standaard), 30, 60 minuten.
<b>RESET DEFAULTS (standaardinst. resetten)</b>	Zet het configuratiemenu terug naar de standaardinstellingen. Alle sensorinformatie gaat verloren.

## Kalibratie

### Informatie over sensorkalibratie

De sensor karakteristieken worden na verloop van tijd minder, waardoor ook de sensorwerking minder nauwkeurig wordt. Regelmatige kalibratie van de sensor is nodig om de precieze werking ervan zeker te stellen. Hoe vaak de kalibratie moet plaatsvinden hangt af van de toepassing en kan het best op basis van ervaring worden bepaald.

### Temperatuurkalibratie

Het wordt aanbevolen de temperatuursensor eenmaal per jaar te kalibreren. Kalibreer de temperatuursensor voordat de meetsensor gekalibreerd wordt.

1. Meet de temperatuur van het water met een nauwkeurige thermometer of onafhankelijk instrument.
2. Druk op toets **menu** en selecteer SENSOR SETUP>CALIBRATE (sensorinstellingen / kalibreren).
3. Als de toegangscode is ingeschakeld in menu security (beveiliging) voor de controller, voer dan de toegangscode in.
4. Selecteer 1 PT TEMP CAL (1-punts temperatuurkalibratie) en druk op **enter**.
5. De bruto temperatuurwaarde wordt weergegeven. Druk op **enter**.
6. Voer de juiste waarde in indien deze afwijkt van hetgeen wordt weergegeven en druk op **enter**.
7. Druk op **enter** om de kalibratie te bevestigen. De temperatuuroffset wordt weergegeven.

### Nulpunktkalibratie

De nulwaarde is in de fabriek gekalibreerd. Gebruik nulkalibratie om het unieke nulpunt van de sensor te bepalen.

1. Als de monsterconcentratie < 10 ppb bedraagt, wordt het voor een optimaal resultaat aanbevolen de optionele cartridge voor nulkalibratie (raadpleeg [Reserveonderdelen en accessoires](#) op pagina 200) te gebruiken en de sensor op zijn plek te laten zitten. Haal de sensor anders uit het proces en spoel deze af in gedistilleerd water.
2. Druk op toets **menu** en selecteer SENSOR SETUP>CALIBRATE (sensorinstellingen / kalibreren).
3. Als de toegangscode is ingeschakeld in menu security (beveiliging) voor de controller, voer dan de toegangscode in.
4. Selecteer ZERO CAL (nulkalibratie) en druk op **enter**.
5. Selecteer de optie voor het uitgangssignaal tijdens de kalibratie:

Optie	Beschrijving
<b>ACTIEF</b>	Het instrument verzendt de actuele uitgangsmetwaarde tijdens de kalibratieprocedure.
<b>HOLD</b>	De sensoruitgangswaarde wordt vastgezet op de actuele meetwaarde tijdens de kalibratieprocedure.
<b>TRANSFER</b>	Tijdens de kalibratie wordt een vooraf ingestelde uitgangswaarde verzonden. Raadpleeg de gebruikershandleiding van de controller om de vooraf ingestelde waarde te wijzigen.

6. Als de optionele cartridge voor nulkalibratie niet gebruikt wordt, plaats de schone sensor dan in een hydrazinevrije oplossing zoals ultrazuiver water en druk op **enter**.
7. Wacht tot een uur tot de waarde is gestabiliseerd en druk op **enter**.
8. Bekijk het kalibratieresultaat:
  - PASS (geslaagd) - de sensor is gekalibreerd en de offset wordt weergegeven.
  - FAIL (mislukt) - de kalibratie ligt buiten de toegestane limieten. Herhaal de kalibratie met schone sensor. Raadpleeg [Foutenopsporing](#) op pagina 199 voor meer informatie.
9. Druk op **enter** als de kalibratie is geslaagd om verder te gaan.

10. Wanneer optie operator ID in menu CAL OPTIONS (kalibratieopties) op Yes (ja) is ingesteld, moet een gebruikers-ID ingevoerd worden. Raadpleeg [Kalibratieopties wijzigen](#) op pagina 199.
11. Selecteer in scherm NEW SENSOR (nieuwe sensor) of de sensor al dan niet nieuw is:

Optie	Beschrijving
-------	--------------

<b>JA</b>	De sensor is niet eerder met deze controller gekalibreerd. De bedrijfsdagen en eerder gemaakte kalibratiegrafieken voor de sensor worden gereset.
-----------	---

<b>NO</b>	De sensor is eerder met deze controller gekalibreerd.
-----------	---

12. Als de optionele cartridge voor nulkalibratie niet gebruikt wordt, plaats de sensor dan terug in het proces en druk op **enter**. Het uitgangssignaal keert terug naar de actieve toestand en meetwaarde van het monster wordt weergegeven op het meetscherm.  
**Opmerking:** Als de uitgangsmodus op hold of transfer is ingesteld, selecteer dan de vertragingstijd wanneer de uitgangssignalen weer actief worden.

## Kalibratie met het procesmonster

De sensor kan in het procesmonster aanwezig blijven.

1. Druk op toets **menu** en selecteer SENSOR SETUP>CALIBRATE (sensorinstellingen / kalibreren).
2. Als de toegangscode is ingeschakeld in menu security (beveiliging) voor de controller, voer dan de toegangscode in.
3. Selecteer SAMPLE CAL (monster kalibreren) en druk op **enter**.
4. Selecteer de optie voor het uitgangssignaal tijdens de kalibratie:

Optie	Beschrijving
-------	--------------

<b>ACTIEF</b>	Het instrument verzendt de actuele uitgangsmetwaarde tijdens de kalibratieprocedure.
---------------	--

<b>HOLD</b>	De sensoruitgangswaarde wordt tijdens de kalibratieprocedure vastgezet op de daadwerkelijk gemeten waarde.
-------------	--

<b>TRANSFER</b>	Tijdens de kalibratie wordt een vooraf ingestelde uitgangswaarde verzonden. Raadpleeg de gebruikershandleiding van de controller om de vooraf ingestelde waarde te wijzigen.
-----------------	--

5. Druk, met de sensor in het procesmonster, op **enter**. De gemeten waarde wordt weergegeven. Wacht tot de waarde is gestabiliseerd en druk op **enter**.
6. Meet met een gecertificeerd tweede verificatie-instrument de concentratiewaarde van het monster. Om onzuiverheden in het monster te voorkomen, wordt de meting gedaan voordat het monster in de doorstroomkamer wordt geleid. Gebruik de pijltoetsen om deze waarde in te voeren indien verschillend van de weergegeven waarde en druk op **enter**.
7. Bekijk het kalibratieresultaat:
  - PASS (geslaagd) - de sensor is gekalibreerd en de kalibratiefactor wordt weergegeven.
  - FAIL (mislukt) - de kalibratie ligt buiten de toegestane limieten. Herhaal de kalibratie met schone sensor. Raadpleeg [Foutenopsporing](#) op pagina 199 voor meer informatie.
8. Druk op **enter** als de kalibratie is geslaagd om verder te gaan.
9. Wanneer optie operator ID in menu CAL OPTIONS (kalibratieopties) op Yes (ja) is ingesteld, moet een gebruikers-ID ingevoerd worden. Raadpleeg [Kalibratieopties wijzigen](#) op pagina 199.
10. Selecteer in scherm NEW SENSOR (nieuwe sensor) of de sensor al dan niet nieuw is:

Optie	Beschrijving
-------	--------------

<b>JA</b>	De sensor is niet eerder met deze controller gekalibreerd. De bedrijfsdagen en eerder gemaakte kalibratiegrafieken voor de sensor worden gereset.
-----------	---

<b>NO</b>	De sensor is eerder met deze controller gekalibreerd.
-----------	---

11. Druk, met de sensor nog steeds in het proces, op **enter**. Het uitgangssignaal keert terug naar de actieve toestand en meetwaarde van het monster wordt weergegeven op het meetscherm.  
**Opmerking:** Als de uitgangsmodus op hold of transfer is ingesteld, selecteer dan de vertragingstijd wanneer de uitgangssignalen weer actief worden.

## Kalibratieopties wijzigen

De gebruiker kan een kalibratieherinnering instellen of een operator-ID toevoegen met de kalibratiegegevens uit dit menu.

1. Druk op toets **menu** en selecteer SENSOR SETUP>CALIBRATE (sensorinstellingen / kalibreren).
2. Als de toegangscode is ingeschakeld in menu security (beveiliging) voor de controller, voer dan de toegangscode in.
3. Selecteer KAL OPTIES en druk op **enter**.
4. Gebruik de pijltoetsen om een optie te selecteren en druk op **enter**.

Optie	Beschrijving
<b>CAL REMINDER</b> (kalibratieherinnering)	Stelt een herinnering voor de volgende kalibratie in op dagen, maanden of jaren - selecteer de gewenste termijn in de lijst.
<b>OP.-ID VOOR KAL.</b>	Voegt een operator-ID met kalibratiegegevens toe -JA of NEE (standaardinstelling). De ID wordt standaard tijdens de kalibratie ingevoerd.

## Onderhoud

### ▲ GEVAAR

Diverse gevaren. Alleen bevoegd personeel mag de in dit deel van het document beschreven taken uitvoeren.

## Reiniging en ontsmetting

### ▲ GEVAAR

Koppel vóór onderhoudswerkzaamheden de controller altijd los van de netspanning.

De analysator behoeft normalerwijze geen reiniging of ontsmetting. Indien nodig kan de buitenzijde van het instrument gereinigd worden met een vochtige doek en een milde zeepoplossing. Maak nooit gebruik van reinigingsmiddelen zoals terpentijn, aceton of gelijkaardige producten om het instrument, met inbegrip van het weergavescherm en toebehoren, te reinigen.

## Foutenopsporing

### Lijst met waarschuwingen

Een waarschuwingspictogram bestaat uit een uitroepteken binnen een driehoek. Er verschijnen rechts in de hoofdweergave, onder de meetwaarde, pictogrammen met waarschuwingen. Een waarschuwing heeft geen effect op de werking van menu's, relais en uitgangen. Druk op toets **menu** en selecteer DIAGNOSTICS (diagnostiek) om waarschuwingen te bekijken. Selecteer hierna een apparaat om problemen die aan dat apparaat gekoppeld zijn, te bekijken. Er wordt geen pictogram met een waarschuwing meer weergegeven als alle problemen verholpen of bevestigd zijn.

Een lijst van mogelijke waarschuwingen wordt weergegeven in [Tabel 5](#).

**Tabel 5 Lijst met waarschuwingen voor zuurstofabsorberende sensoren**

Waarschuwing	Beschrijving	Oplossing
02-SCAV TE HOOG	De gemeten waarde is > 10000 ppm	Zorg ervoor dat het niveau zuurstofabsorberend middel (hydrazine of carbohydrazide) in het proceswater binnen de bedrijfslimieten van de sensor ligt. Kalibreer of vervang de sensor.
02-SCAV TE LAAG	De gemeten waarde is < 0 ppm	Kalibreer of vervang de sensor.
TEMP TOO HIGH (temperatuur te hoog)	De gemeten temperatuur is > 50 °C	Verlaag de temperatuur van het monster.
TEMP TOO LOW (temperatuur te laag)	De gemeten temperatuur is < 0 °C	Verhoog de temperatuur van het monster.
STROOM TE HOOG	De gemeten stroom > 200 mA	Zorg ervoor dat het niveau zuurstofabsorberend middel (hydrazine of carbohydrazide) in het proceswater binnen de bedrijfslimieten van de sensor ligt. Kalibreer of vervang de sensor.
STROOM TE LAAG	De gemeten stroom < -0,5 mA	Kalibreer of vervang de sensor.
CAL OVERDUE (kalibratie te laat)	De Cal Reminder time (herinneringstijd voor de kalibratie) is verstreken	Kalibreer de sensor.
REPLACE SENSOR (sensor vervangen)	De sensor is langer dan 365 dagen in gebruik	Vervang de sensorcartridge en kalibreer de sensor. Als het kalibratieresultaat is gepasseerd, reset dan de membraandagen in menu DIAG/TEST.
NOT CALIBRATED (niet gekalibreerd)	De sensor is niet gekalibreerd.	Kalibreer de sensor.
CAL IN PROGRESS (kalibratie gaande)	Er is een kalibratie gestart, die nog niet voltooid is	Keer terug naar kalibratie.

## Reserveonderdelen en accessoires

Raadpleeg het gedeelte over reserveonderdelen en accessoires van de documentatie bij de controller voor onderdelen en accessoires van de controller.

**Opmerking:** Product- en artikelnummers kunnen in bepaalde verkoopregio's verschillen. Neem contact op met de desbetreffende distributeur of bezoek de website voor contactgegevens.

### Kit met reserveonderdelen voor 2 jaar - 09186=A=8000

Beschrijving	Aantal	Item nr.
Filter	6	363877,06000
Referentie-elektrode	1	368429,00000
Venturi-injectiespuitmond	1	359090,00024
O-ring voor Venturi-injectiespuitmond	1	356099,05090
Plastic reinigingskorrels	7	588801,75008
4 x 6 mm PE-slangen	2 meter	151575,00006



## Meetcel

Beschrijving	Item nr.
Meetcel	09186=A=0100
Referentie-elektrode	368429,00000
Werkelektrode	09186=A=0300
Elleboogstuk inlaat G1/8 DN 4/6	359103,10070
Uitlaatstuk G1/8 DN6/8	359103,10055
Stekker NPT1/8	431=201=018
Conditioneringsfles met apparatuur	09186=A=0200
Bruine glazen fles	490=010=011
Poreuze cartridge	09073=C=0340
Fitting G1/8 DN4/6	359103,10065
Controller met uitrusting doorstromingstempo	09186=A=0400
Inlaatstuk G1/4 DN4/6	587=006=002
Kort elleboogstuk G1/4 DN4/6	359103,10072
Lang elleboogstuk G1/4 DN4/6	587=906=002
Stromingsmeter	694=000=001
Elleboogstuk NPT1/8 DN4/6	359103,10170

## Accessoires

Beschrijving	Item nr.
Cartridge voor chemische nulkalibratie	09186=A=0600

# Spis treści

[Specyfikacje](#) na stronie 202

[Ogólne informacje](#) na stronie 204

[Instalacja](#) na stronie 207

[Rozruch](#) na stronie 216

[Interfejs użytkownika i nawigacja](#) na stronie 216

[Użytkowanie](#) na stronie 219

[Konserwacja](#) na stronie 222

[Rozwiązywanie problemów](#) na stronie 222

[Części zamienne i akcesoria](#) na stronie 223

## Instrukcja rozszerzona

Aby uzyskać dodatkowe informacje, zapoznaj się z rozszerzoną instrukcją dostępną na stronie internetowej producenta.

## Specyfikacje

Parametry techniczne mogą ulec zmianom bez wcześniejszego powiadomienia.


### Panel

Specyfikacja	Szczegóły
Wymiary	817 x 300 x 140 mm (32,2 x 11,8 x 5,5 cala)
Masa	14,6 kg (32,15 lbs)
Natężenie przepływu próbki	10–15 litrów/godzinę
Ciśnienie robocze:	0,5–6 bar (7–87 psi)
Temperatura otoczenia	0–60°C (-32–140 °F)
Wilgotność względna	10–90%
Elektroda robocza	Platyna
Elektroda licznika	Stal nierdzewna
Wzorzec	Ag / AgCl / KCl 0,1 M
Kuweta pomiarowa	Acrylic
Kondycjoner próbki	DIPA (diizopropylamina)
Normy europejskie	EN 61326 Klasa A dla kompatybilności elektromagnetycznej; EN 601010-1 dla bezpieczeństwa niskonapięciowego
Normy międzynarodowe	cETLus

### Czujnik

Specyfikacja	Szczegóły
Zakres pomiarowy	0 - 500 ppb hydrazyny; 0 - 100 ppb karbohydryzy
Czułość	< 0.2 ppb
Powtarzalność	1 ppb lub $\pm$ 2% pomiaru, w zależności od tego, która wartość jest większa
Granica wykrywalności	$\leq$ 1 ppb
Czas reakcji	< 60 sekund
Przykładowy zakres pomiaru temperatury	5—45°C (41 - 113 °F)

## Urządzenie sterujące

Specyfikacja	Szczegóły
Opis komponentów	Kontroler sterowany za pomocą mikroprocesora oraz menu to urządzenie kontrolujące pracę czujników oraz wyświetlające wartości pomiarowe.
Temperatura robocza	Od -20 do 60°C; 95% wilgotności względnej, bez kondensacji przy obciążeniu czujnika <7 W; -20 do 50°C przy obciążeniu czujnika <28 W
Temperatura składowania	-20 do 70°C; 95% wilgotności względnej, bez kondensacji
Obudowa <sup>1</sup>	Metalowa obudowa zgodna ze standardem NEMA 4X/IP66 z wykończeniem antykorozyjnym
Wymagania dotyczące zasilania	<b>Kontroler zasilany prądem zmiennym:</b> 100–240 V AC ±10%, 50/60 Hz; 50 VA przy obciążeniu czujnika/modułu sieciowego wynoszącym 7 W; 100 VA przy obciążeniu 28 W (opcjonalne urządzenie Modbus, RS232/RS485, Profibus DVP1 lub połączenie sieciowe HART).
	<b>Kontroler zasilany prądem stałym 24 V:</b> 24 V DC - 15%, + 20%; 15 W przy obciążeniu czujnika/modułu sieciowego wynoszącym 7 W; 40 W przy obciążeniu 28 W (opcjonalne urządzenie Modbus, RS232/RS485, Profibus DPV1 lub połączenie sieciowe HART).
Wymagania dotyczące wysokości	Standardowo 6562 m n.p.m.
Stopień zanieczyszczenia / Kategoria montażowa	Stopień zanieczyszczenia 2, II kategoria instalacyjna
Wyjścia	Dwa wyjścia analogowe (0–20 mA lub 4–20 mA). Każde wyjście analogowe można przypisać, aby reprezentowało mierzone parametry, takie jak pH, temperatura, przepływ lub wartości obliczane. Moduł opcjonalny zasilany prądem stałym zasilany prądem stałym (łącznie 5).
Przełączniki	Cztery SPDT, styki konfigurowane przez użytkownika: 250 V AC, maks. 5 amperów rezystancji dla kontrolera zasilanego prądem zmiennym i 4 V DC, maks. 5 A rezystancji dla kontrolera zasilanego prądem stałym. Przełączniki zaprojektowane są z myślą o podłączeniu do głównych obwodów zasilania prądem zmiennym (kontroler jest zasilany prądem 115–240 V AC) lub do obwodów prądu stałego (kontroler jest zasilany prądem 24 V DC).
Wymiary	½ DIN — 144 x 144 x 180,9 mm (5,7 x 5,7 x 7,12 cala.)
Masa	1,7 kg (3,75 funta)
Wymagania dot. EMC	EN61326-1: EMC Dyrektywa <b>Uwaga:</b> To jest produktem klasy A. W środowiskach domowych ten produkt może powodować zakłócenia radiowe i może być wymagane podjęcie odpowiednich środków przez jego użytkownika.
 Korean registration	<b>User Guidance for EMC Class A Equipment</b> 업무용을 위한 EMC 등급 A 장치에 대한 사용자 지침 사용자안내문 A 급 기기 ( 업무용 방송통신기자재 ) 이 기기는 업무용 ( A 급 ) 전자파적합기기로서 판매자 또는 사용자는 이 점을 주의하시기 바라며, 가정외의 지역에서 사용하는 것을 목적으로 합니다.
Zgodność CE	EN61010-1: Dyrektywa Niskonapięciowa
Komunikacja cyfrowa	Opcjonalne połączenia sieciowe Modbus, RS232/RS485, Profibus DPV1 lub HART do przesyłania danych

<sup>1</sup> Urządzenia posiadające certyfikat Underwriters Laboratories (UL) przeznaczone są wyłącznie do użytkowania w pomieszczeniach i nie posiadają oznaczenia NEMA 4X/IP66.

Specyfikacja	Szczegóły
Rejestrowanie danych	Karta pamięci SD (Secure Digital, maks. 32 GB) lub specjalny przewód RS(232 do rejestrowania danych i wykonywania aktualizacji oprogramowania. Sterownik zachowa ok. 20 000 punktów danych na czujnik.
Gwarancja	2 lata

## Ogólne informacje

W żadnym przypadku producent nie ponosi odpowiedzialności za bezpośrednie, pośrednie, specjalne, przypadkowe lub wtórne szkody wynikające z błędu lub pominięcia w niniejszej instrukcji obsługi. Producent zastrzega sobie prawo do dokonania zmian w niniejszej instrukcji obsługi i w produkcie, której dotyczy w dowolnym momencie, bez powiadomienia lub zobowiązania. Na stronie internetowej producenta można znaleźć poprawione wydania.

## Informacje dotyczące bezpieczeństwa

### POWIADOMIENIE

Producent nie ponosi odpowiedzialności za ewentualne szkody wynikłe z niewłaściwego stosowania albo użytkowania tego produktu, w tym, bez ograniczeń za szkody bezpośrednie, przypadkowe i wtórne, oraz użytkownika odpowiedzialność za takie szkody w pełnym zakresie dozwolonym przez obowiązujące prawo. Użytkownik jest wyłącznie odpowiedzialny za zidentyfikowanie krytycznych zagrożeń aplikacji i zainstalowanie odpowiednich mechanizmów ochronnych procesów podczas ewentualnej awarii sprzętu.

Prosimy przeczytać całą niniejszą instrukcję obsługi przed rozpakowaniem, włączeniem i rozpoczęciem użytkowania urządzenia. Należy zwrócić uwagę na wszystkie informacje dotyczące niebezpieczeństwa i kroków zapobiegawczych. Niezastosowanie się do tego może spowodować poważne obrażenia obsługującego lub uszkodzenia urządzenia.

Należy upewnić się, czy systemy zabezpieczające wbudowane w urządzenie pracują prawidłowo. Nie używać ani nie instalować tego urządzenia w inny sposób, aniżeli podany w niniejszej instrukcji.

### Korzystanie z informacji o zagrożeniach

#### ▲ NIEBEZPIECZEŃSTWO

Wskazuje potencjalnie lub bezpośrednio niebezpieczną sytuację, która — jeśli się jej nie zapobiegnie — doprowadzi do śmierci lub poważnych obrażeń.

#### ▲ OSTRZEŻENIE

Wskazuje na potencjalną lub bezpośrednio niebezpieczną sytuację, która, jeżeli się jej nie uniknie, może doprowadzić do śmierci lub ciężkich obrażeń.

#### ▲ UWAGA








Wskazuje na potencjalnie niebezpieczną sytuację, która może doprowadzić do mniejszych lub umiarkowanych obrażeń.

### POWIADOMIENIE

Wskazuje sytuację, która — jeśli się jej nie zapobiegnie — może doprowadzić do uszkodzenia urządzenia. Informacja, która wymaga specjalnego podkreślenia.

## Etykietyki ostrzegawcze

Przeczytaj wszystkie etykiety dołączone do urządzenia. Nieprzestrzeganie tych instrukcji może spowodować urazy ciała lub uszkodzenie urządzenia. Symbol umieszczony na urządzeniu jest zamieszczony w podręczniku i opatrzony informacją o należytych środkach ostrożności.

	Ten symbol ostrzega o niebezpieczeństwie. Aby uniknąć obrażeń ciała, należy przestrzegać wszystkich instrukcji, którym towarzyszy ten symbol. Jeśli ten symbol jest umieszczony na urządzeniu, należy zapoznać się z informacjami bezpieczeństwa użytkownika zamieszczonymi w instrukcji obsługi urządzenia.
	Ten symbol wskazuje niebezpieczeństwo szoku elektrycznego i/lub porażenia prądem elektrycznym.
	Ten symbol informuje o obecności urządzeń wrażliwych na wyładowania elektrostatyczne (ESD) i oznacza, że należy zachować ostrożność, aby nie uszkodzić urządzeń.
	Ten symbol, jeśli jest zamieszczony na produkcie, oznacza, że przyrząd jest podłączony do prądu zmiennego.
	Urządzeń elektrycznych oznaczonych tym symbolem nie wolno wyrzucać do europejskich publicznych systemów utylizacji odpadów. Wyeksploatowane urządzenia należy zwrócić do producenta w celu ich utylizacji. Producent ma obowiązek przyjąć je bez pobierania dodatkowych opłat.
	Produkt oznaczony tym symbolem zawiera toksyczne lub niebezpieczne substancje/elementy. Liczba wewnątrz symbolu oznacza okres eksploatacyjny zgodnie z wymogami ochrony środowiska (EPUP).
	Oznaczenie produktów tym symbolem oznacza, że wyrób jest zgodny z Dyrektywą Zgodności Elektromagnetycznej (EMC) obowiązującą w Korei Południowej.

## Certyfikaty

### Kanadyjska regulacja prawna dotycząca sprzętu powodującego zakłócenia odbioru radiowego, IECS-003, klasa A:

Stosowne wyniki testów dostępne są u producenta.

Ten cyfrowy aparat klasy A spełnia wszystkie wymogi kanadyjskich regulacji prawnych dotyczących sprzętu powodującego zakłócenia.

### FCC Część 15, Ograniczenia Klasy "A"

Stosowne wyniki testów dostępne są u producenta. Niniejsze urządzenie spełnia warunki Części 15 Zasad FCC. Przy pracy obowiązują poniższe warunki:

1. Sprzęt nie może powodować szkodliwego zakłócenia.
2. Sprzęt musi akceptować wszelkie odbierane zakłócenia, w tym zakłócenia, które mogą powodować niepożądane działanie.

Zmiany oraz modyfikacje tego urządzenia, które nie zostały wyraźnie zaakceptowane przez stronę odpowiedzialną za zgodność, mogą spowodować pozbawienie użytkownika upoważnienia do korzystania z niniejszego urządzenia. To urządzenie zostało przetestowane i odpowiada ograniczeniom dla urządzenia cyfrowego klasy A, stosownie do części 15 zasad FCC. Ograniczenia te zostały wprowadzone w celu zapewnienia należytej ochrony przed szkodliwymi zakłóceniami, gdy urządzenie jest użytkowane w środowisku komercyjnym. Niniejsze urządzenie wytwarza, używa i może wydzielać energię o częstotliwości radiowej oraz, jeśli nie jest zainstalowane i używane zgodnie z instrukcją obsługi, może powodować szkodliwe zakłócenia w łączności radiowej. Istnieje prawdopodobieństwo, że wykorzystywanie tego urządzenia w terenie mieszkalnym może spowodować szkodliwe zakłócenia. W takim przypadku użytkownik jest zobowiązany do usunięcia zakłóceń na własny koszt. W celu zmniejszenia problemów z zakłóceniami można wykorzystać poniższe metody:

1. Odłączyć urządzenie od źródła zasilania, aby zweryfikować, czy jest ono źródłem zakłóceń, czy też nie.
2. Jeśli sprzęt jest podłączony do tego samego gniazdka co urządzenie wykazujące zakłócenie, podłączyć sprzęt do innego gniazdka.
3. Odsunąć sprzęt od zakłócanego urządzenia.
4. Zmienić pozycję anteny odbiorczej urządzenia zakłócanego.
5. Spróbować kombinacji powyższych metod.

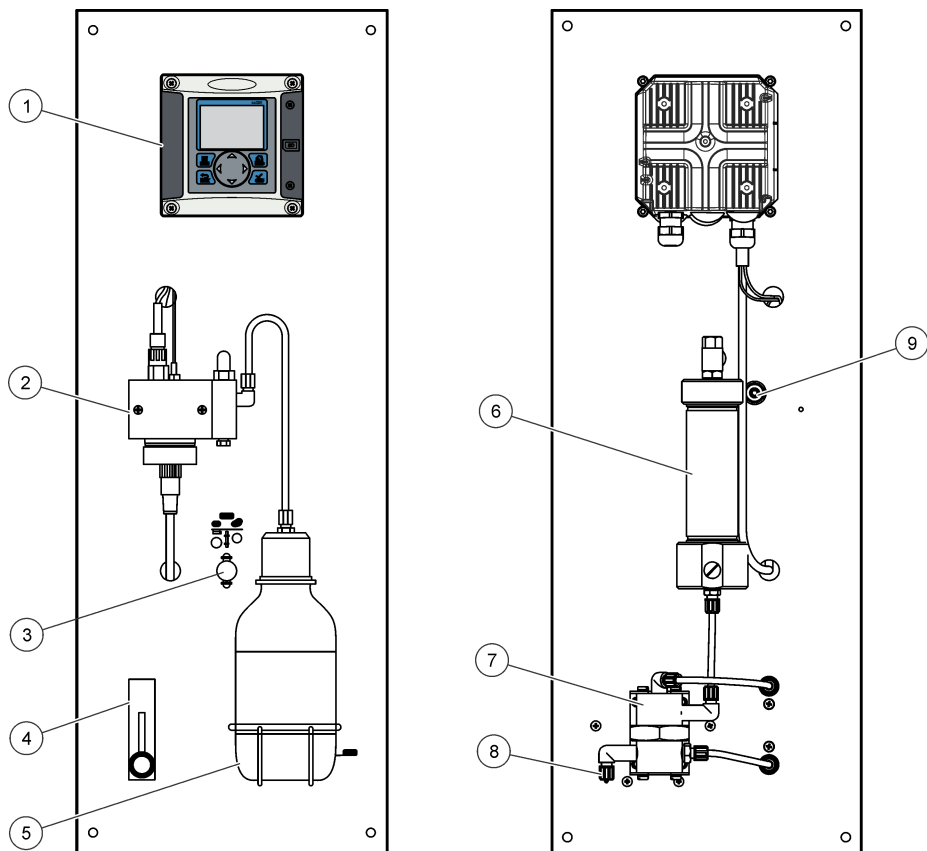
## **Elementy zestawu**

Sprawdź czy wszystkie elementy znajdują się w dostarczonym zestawie. Jeżeli brakuje któregośkolwiek elementu zestawu lub nastąpiło jego uszkodzenie, należy niezwłocznie skontaktować się z producentem lub przedstawicielem handlowym.

## Krótkim opisie produktu

Analizator zaprojektowano do ciągłego pomiaru ilości odtleniaczy (hydrazyna lub karbohydraza) w wodzie.

Rysunek 1 Widok z przodu i tyłu



1 Kontroler	6 Wkład dla kalibracji przy zerowym potencjale chemicznym (opcja)
2 Kuweta pomiarowa	7 Regulator ciśnienia
3 Kalibracja przy zerowym potencjale chemicznym on/off (opcja)	8 Wlew próbki, wężyk 4/6 mm
4 Przepływomierz	9 Odpływ próbki wężyk 6/8 mm, ciśnienie atmosferyczne
5 Butla do kondycjonowania próbek (DIPA)	

## Instalacja

### ▲ UWAGA



Wiele zagrożeń. Tylko wykwalifikowany personel powinien przeprowadzać prace opisane w tym rozdziale niniejszego dokumentu.

## Monaż analizatora

### ▲ UWAGA

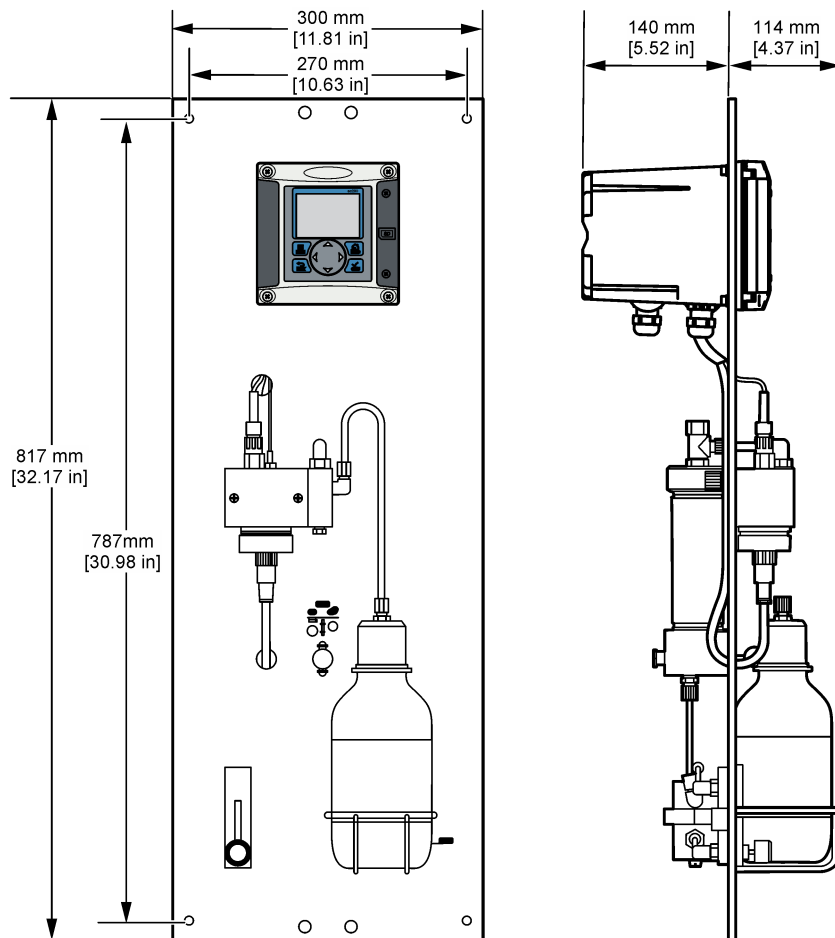
Zagrozenie obrażeniami ciała. Urządzenia lub komponenty są ciężkie. Korzystaj z pomocy przy instalacji lub przenoszeniu. Upewnij się, że zamocowanie na ścianie jest w stanie unieść ciężar 4 razy większy od wagi urządzenia.

### POWIADOMIENIE

Analizator należy ustawić w pionie, aby zapewnić jego dokładność.

Zamontuj analizator na stabilnej pionowej powierzchni. Do tego celu należy skorzystać z poziomicy. Zapoznaj się ze wskazówkami.

- Umieść przyrząd w takim miejscu, aby umożliwić bezproblemową pracę, serwisowanie i kalibrację.
- Upewnij się, że ekran i elementy sterowania są dobrze widoczne.
- Trzymaj przyrząd z dala od źródeł ciepła.
- Nie narażaj urządzenia na wstrząsy.
- Dopilnuj, aby wężyk dla próbki był jak najkrótszy, co pozwoli ograniczyć czas reakcji urządzenia.
- Upewnij się, że dopływ próbki nie zawiera powietrza.



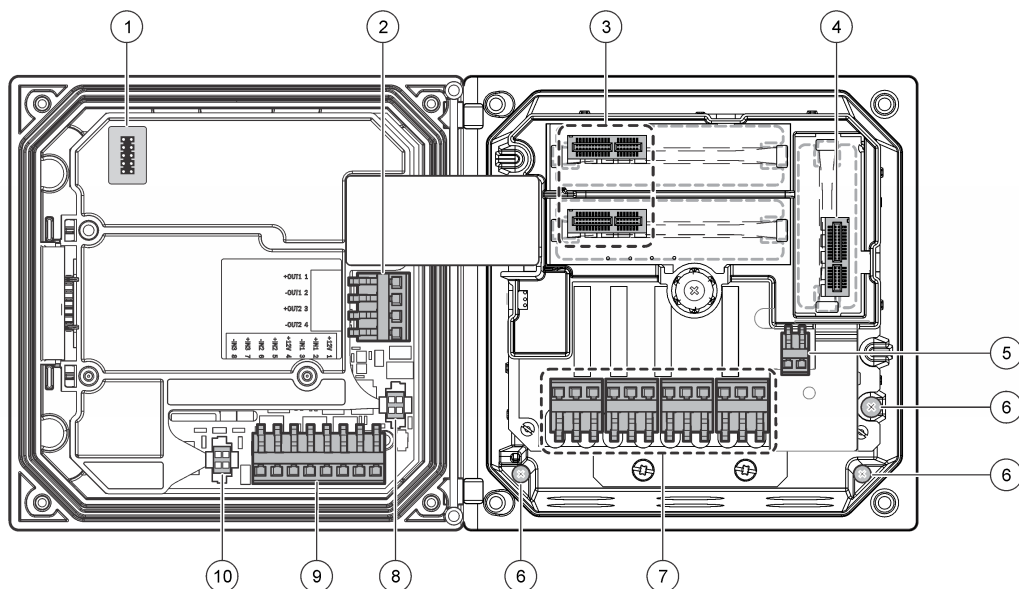


## Opis okablowania

Na rysunku [Rysunek 2](#) przedstawione jest okablowanie w urządzeniu z usuniętą osłoną wysokiego napięcia. Po lewej stronie rysunku widoczny jest tył pokrywy urządzenia.

**Uwaga:** Przed rozpoczęciem instalowania modułu ze złączy należy zdjąć nasadki.

**Rysunek 2 Opis połączeń przewodów**



1 Podłączenie przewodu roboczego	5 Złącze zasilania AC i DC <sup>2</sup>	9 Złącze wejść dyskretnych <sup>2</sup>
2 Wyjście 4–20 mA <sup>2</sup>	6 Zacisk uziemienia	10 Złącze czujnika cyfrowego <sup>2</sup>
3 Złącze modułu czujnika	7 Połączenia przekaźników <sup>2</sup>	
4 Złącze modułu komunikacji (np. Modbus, Profibus, HART, opcjonalny moduł 4–20 mA itp.)	8 Złącze czujnika cyfrowego <sup>2</sup>	

### Zabezpieczenie przed wysokim napięciem

Przewody wysokiego napięcia kontrolera znajdują się za zabezpieczeniem w obudowie urządzenia. Zabezpieczenie musi pozostawać na miejscu, chyba że montuje się moduły lub gdy wykwalifikowany specjalista podłącza zasilanie, alarmy, wyjścia lub przekaźniki. Bariery nie wolno usuwać, gdy urządzenie jest podłączone do zasilania.

### Okablowanie zasilające

#### ⚠ OSTRZEŻENIE



Potencjalne niebezpieczeństwo śmiertelnego porażenia prądem elektrycznym. Wykonując połączenia elektryczne zawsze odłączyć zasilanie urządzenia.

<sup>2</sup> Terminale można zdemontować, aby ułatwić dostęp.

## ⚠ OSTRZEŻENIE



Potencjalne niebezpieczeństwo śmiertelnego porażenia prądem elektrycznym. Jeśli sprzęt jest stosowany na zewnątrz lub w potencjalnie wilgotnych lokalizacjach, należy zastosować **Doziemienie** przed podłączeniem sprzętu do głównego źródła zasilania.

## ⚠ NIEBEZPIECZEŃSTWO



Niebezpieczeństwo śmiertelnego porażenia prądem elektrycznym. Nie należy podłączać zasilania prądem przemiennym do modelu zasilanego prądem stałym 24 V.

## ⚠ OSTRZEŻENIE



Potencjalne niebezpieczeństwo śmiertelnego porażenia prądem elektrycznym. Podłączenie uziemienia (PE) jest wymagane zarówno do aplikacji okablowania prądu przemiennego 100-240 V, jak również prądu stałego 24 V. Brak podłączenia dobrego uziemienia może skutkować niebezpieczeństwem wstrząsu lub słabym działaniem ze względu na zakłócenia elektromagnetyczne. **ZAWSZE** należy podłączyć sprawne uziemienie (PE) do zacisku sterownika.

## POWIADOMIENIE

Urządzenia należy zainstalować w lokalizacji oraz w pozycji, które umożliwiają łatwe odłączanie urządzenia i jego obsługę.

Kontroler można zakupić jako w wersji zasilanej prądem 100–240 V AC lub 24 V DC. Należy postępować z instrukcjami dotyczącymi okablowania konkretnego modelu.

Urządzenie można podłączyć do zasilania liniowego poprzez okablowanie stałe w koncentratorze kanału kablowego lub za pomocą kabla zasilającego. Niezależnie od typu okablowania, połączenia wykonuje się w tym samym zacisku. Wymagane jest zainstalowanie lokalnego odłącznika zasilania elektrycznego i musi on być oznakowany w instalacjach wszelkich typów. Przy zastosowaniach z okablowaniem stałym, wymagania przewodu uziemiającego wynoszą 18–12 AWG. Upewnić się, że przewody zewnętrzne posiadają klasę izolacji zapewniającą ochronę przed temperaturą minimum 80 °C (176 °F).

### Uwagi:

- Osłona napięcia musi zostać zdjęta przed wykonaniem dowolnych połączeń elektrycznych. Po wykonaniu wszystkich połączeń, należy ponownie zamontować osłonę przed zamknięciem osłony urządzenia.
- Aby utrzymać zgodność z normą bezpieczeństwa NEMA 4X/IP66, można użyć izolującego zabezpieczenia styku oraz przewodu zasilającego krótszego niż 3 metry (10 stóp) z trzema przewodnikami o średnicy 18 (wraz z przewodem uziemiającym).
- Urządzenia można zamawiać w wersji z zamocowanymi już przewodami AC. Można także zamawiać dodatkowe przewody zasilające.
- Źródło zasilania DC, które dostarcza zasilanie do urządzenia V DC musi zachować regulację napięcia w określonych granicach 24 V DC-15% +20%. Źródło zasilania DC musi także odpowiednio zabezpieczać przed przepięciami oraz przebiegami niestabilnymi.

### Procedura okablowania

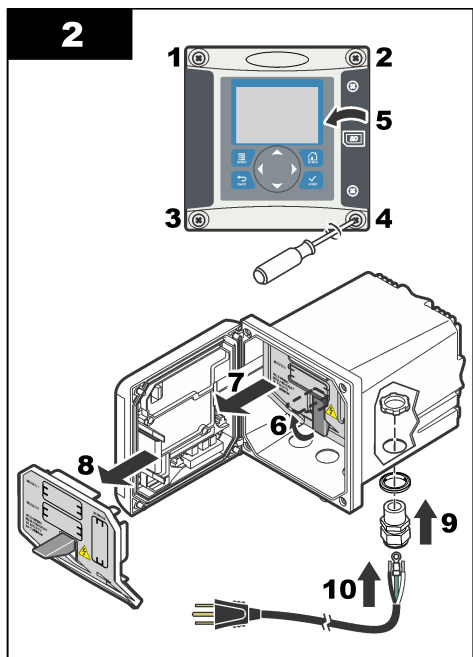
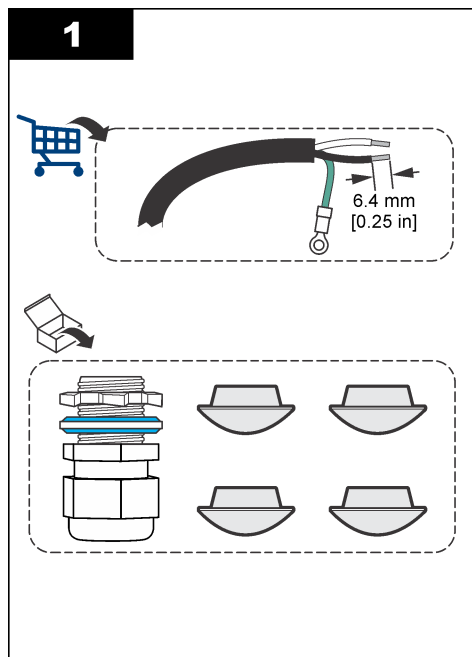
Zobacz ilustrowane czynności poniżej oraz [Tabela 1](#) lub [Tabela 2](#), aby podłączyć sterownik do zasilania. Każdy przewód należy podłączyć do odpowiedniego zacisku w taki sposób, aby izolacja zetknęła się ze złączem, bez odsonionego nieizolowanego przewodu. Pociągnij lekko po włożeniu, aby się upewnić, że połączenie jest prawidłowe. Uszczelnić wszelkie nieużywane otwory skrzynki regulatora za pomocą korków uszczelniających otworów rur kablowych.

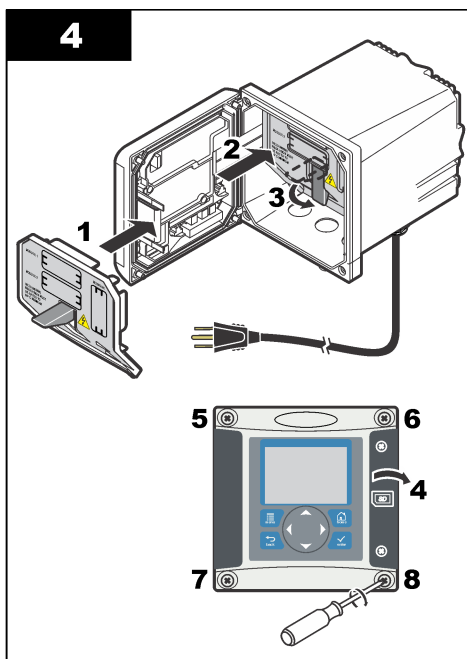
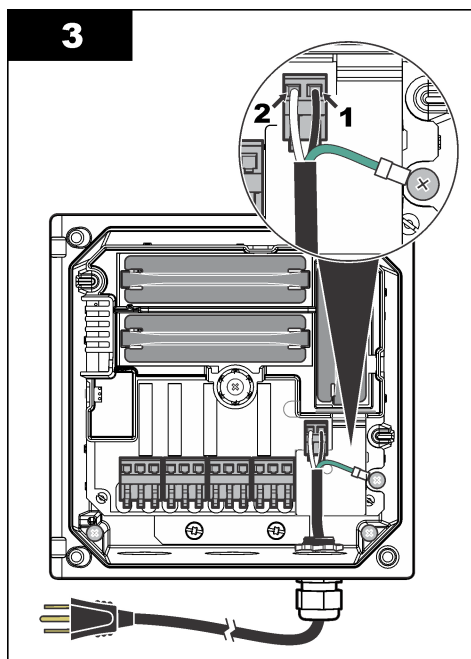
**Tabela 1** Informacje o okablowaniu zasilającym (tylko modele zasilane prądem zmiennym)

Zacisk	Opis	Kolor – Ameryka Północna	Kolor — UE
1	Przewód fazowy (L1)	Czarny	Brazowy
2	Przewód zerowy	Biały	Niebieski
—	Zacisk oczkowy uziemienia	Zielony	Zielony z żółtym paskiem

**Tabela 2 Informacje o okablowaniu DC (tylko modele DC)**

Zacisk	Opis	Kolor – Ameryka Północna	Kolor — UE
1	+24 VDC	Czerwony	Czerwony
2	Powrót 24 V prądu stałego	Czarny	Czarny
—	Zacisk oczkowy uziemienia	Zielony	Zielony z żółtym paskiem





## Alarmy i przekaźniki

Kontroler jest wyposażony w cztery niezasilane, jednobiegunowe przekaźniki - 100–250 V AC, 50/60 Hz, maks. 5 amperów rezystancji. Styki: 250 V AC, maks. 5 amperów rezystancji dla kontrolera zasilanego prądem zmiennym i 4 V DC, maks. 5 A rezystancji dla kontrolera zasilanego prądem stałym. Przekaźniki nie są chronione przez obciążeniami indukcyjnymi.

## Okablowanie przekaźników

### ⚠ OSTRZEŻENIE



Potencjalne niebezpieczeństwo śmiertelnego porażenia prądem elektrycznym. Wykonując połączenia elektryczne zawsze odłączyć zasilanie urządzenia.

### ⚠ OSTRZEŻENIE



Potencjalne zagrożenie pożarem. Styki przekaźników mają wytrzymałość 5 A i nie są chronione przez bezpiecznik. Zewnętrzne obciążenia podłączane do przekaźników muszą być wyposażone w urządzenia ograniczające prąd do <5 A.

### ⚠ OSTRZEŻENIE



Potencjalne zagrożenie pożarem. Nie należy codziennie łączyć w urządzeniu złącza przekaźników i przewodów połączeniowych z głównym zasilaniem.

### ⚠ OSTRZEŻENIE



Potencjalne niebezpieczeństwo śmiertelnego porażenia prądem elektrycznym. Aby zachować zgodność obudowy ze standardami NEMA/IP, do doprowadzania przewodów do urządzenia należy używać wyłącznie osprzętu do rurkowania oraz dławików zgodnych co najmniej ze standardem NEMA 4X/IP66.

## Urządzenia zasilane prądem 100–250 V AC

## ⚠ OSTRZEŻENIE



Potencjalne niebezpieczeństwo śmiertelnego porażenia prądem elektrycznym. Regulatory zasilane prądem zmiennym z gniazdek (115 V - 230 V) są zaprojektowane pod kątem przekazywania połączeń do gniazdkowych obwodów AC (napięcia wyższe niż 16 V-RMS, 22,6 V-PEAK lub 35 VDC).

Ten przedział okablowania nie jest przeznaczony do podłączania napięcia przekraczającego 250 V AC.

### Urządzenie zasilane prądem 24 V DC

## ⚠ OSTRZEŻENIE



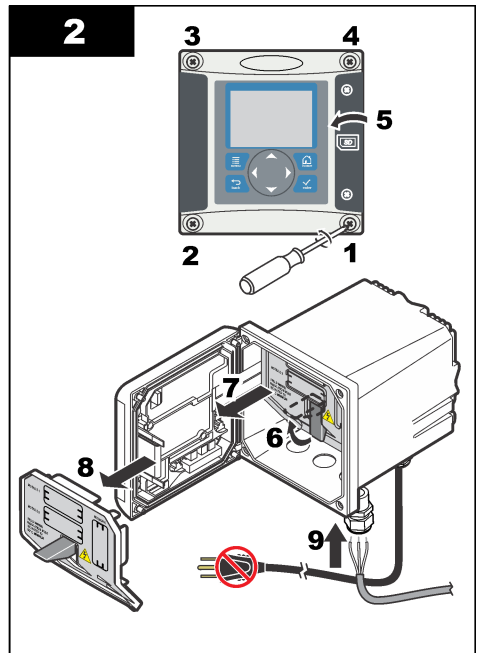
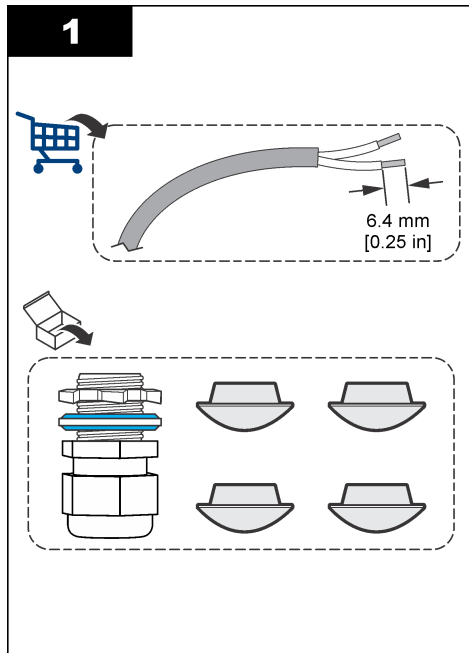
Potencjalne niebezpieczeństwo śmiertelnego porażenia prądem elektrycznym. Kontrolery zasilane napięciem 24 V są zaprojektowane pod kątem przekazywania połączeń do obwodów niskonapięciowych, czyli o napięciu niższym niż 16 V-RMS, 22,6 V-PEAK lub 35 VDC.

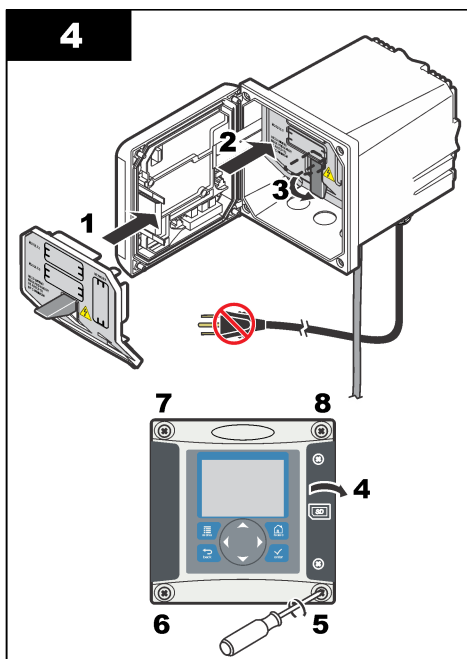
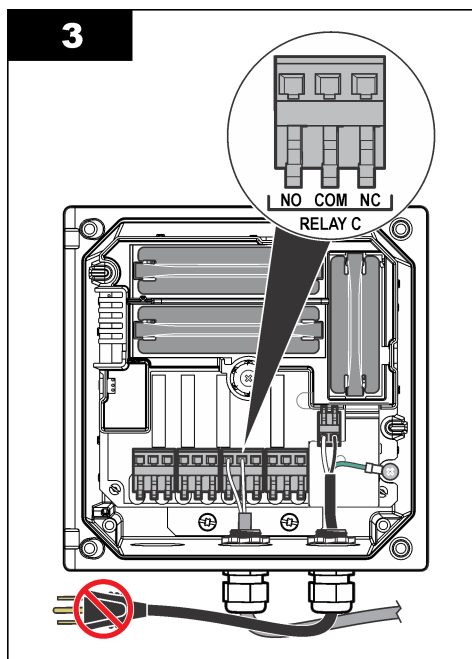
Przełączniki kontrolera 24 V DC są przeznaczone do podłączania do obwodów nisko-napięciowych (np. napięcie niższe niż 30 V RMS, 42,2 V-PEAK lub 60 V DC). Ten przedział okablowania nie jest przeznaczony do połączeń przekraczających te zakresy.

Do złącz przełączników można przyłączać przewody o rozmiarze 18-12 AWG (co determinuje przyłożone obciążenie). Rozmiar przewodu mniejszy niż 18 AWG nie jest zalecany. Upewnić się, że przewody zewnętrzne posiadają klasę izolacji zapewniającą ochronę przed temperaturą minimum 80 °C (176 °F).

Styki przełącznika normalnie otwarte (NO) i wspólne (COM) zostaną zwarte w przypadku uaktywnienia się alarmu lub innego warunku. Styki przełącznika normalnie zamknięte (NC) i wspólne (COM) zostaną zwarte w przypadku, gdy alarm lub inny warunek nie uaktywni się (chyba, że wybrana zostanie opcja Fail Safe [Odporny na uszkodzenia]) lub gdy urządzenie zostanie odłączone od zasilania.

Większość montażów przedstawia sposób podłączania do złączy NO i COM. Ponumerowane kroki montażowe przedstawiają sposób podłączania do złączy NO i COM.





### Analogowe złącza wyjściowe

#### ▲ OSTRZEŻENIE



Potencjalne niebezpieczeństwo śmiertelnego porażenia prądem elektrycznym. Wykonując połączenia elektryczne zawsze odłączaj zasilanie urządzenia.

#### ▲ OSTRZEŻENIE



Potencjalne niebezpieczeństwo śmiertelnego porażenia prądem elektrycznym. Aby zachować zgodność obudowy ze standardami NEMA/IP, do doprowadzania przewodów do urządzenia należy używać wyłącznie osprzętu do rurkowania oraz dławików zgodnych co najmniej ze standardem NEMA 4X/IP66.

W zestawie dostępne są dwa izolowane wyjścia analogowe (1 i 2) (Rysunek 3). Takie wyjścia przeważnie stosuje się do analogowego przesyłania sygnału lub do kontrolowania innych urządzeń zewnętrznych.

Przewody do kontrolera należy podłączać w sposób pokazany na rysunku Rysunek 3 i Tabela 3.

**Uwaga:** Na rysunku Rysunek 3 widać tył pokrywy kontrolera, a nie wnętrze jego głównej komory.

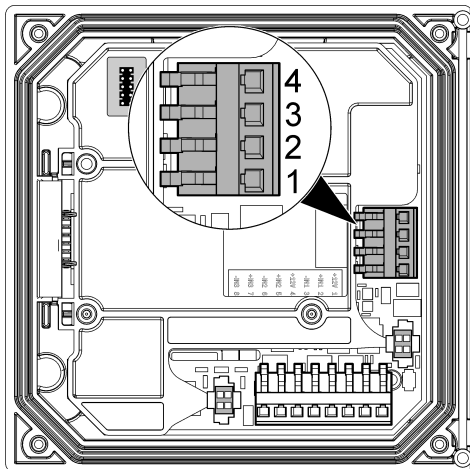
Tabela 3 Złącza wyjściowe

Przewody przyrządu rejestrującego	Lokalizacja płytki obwodu
Wyjście 2-	4
Wyjście 2+	3
Wyjście 1-	2
Wyjście 1+	1

1. Otworzyć pokrywę kontrolera.
2. Przełożyć przewody przez zabezpieczenie wtyku.
3. Ułożyć przewody wedle potrzeb i zaciśnij zabezpieczenie.

4. Przyłączenie należy przeprowadzić przy pomocy ekranowanej skrętki dwużyłowej i przyłączyć ekran po stronie kontrolowanego komponentu lub po stronie pętli kontrolnej.
  - Nie wolno przyłączać ekranu na obu końcach przewodu.
  - Użycie nieekranowanego przewodu może spowodować emisję na częstotliwości radiowej lub poziom wrażliwości na zakłócenia wyższy od dopuszczalnego.
  - Maksymalna oporność pętli wynosi 500 omów.
5. Zamknij pokrywkę kontrolera i dokręć śrubki.
6. Skonfiguruj wyjścia w urządzeniu sterującym.

**Rysunek 3 Analogowe złącza wyjściowe**



### **Podłączanie opcjonalnego wyjścia komunikacji cyfrowej**

Produkt obsługuje protokoły komunikacji Modbus RS485, Modbus RS232, Profibus DPV i HART. Opcjonalny, cyfrowy moduł wyjściowy jest instalowany w miejscu wskazanym liczbą 4 na rysunku [Rysunek 2](#) na stronie 209. Więcej informacji można znaleźć w dołączonej instrukcji modułu sieciowego.

### **Podłącz wężyki dla próbek i odpływu.**

Podłącz wężyki próbek i odpływu do gniazd na tylnej części panelu.

1. Podłącz dopływ próbki do gniazda o średnicy zewnętrznej 4/6 mm.
2. Podłącz linię odpływu do gniazda o średnicy zewnętrznej 6/8 mm. Pamiętaj, aby odpływ był jak najkrótszy (w ramach ciśnienia atmosferycznego).

## Zainstaluj odczynniki

### ▲ OSTRZEŻENIE



Narażenie na działanie substancji chemicznych. Stosować się do procedur bezpieczeństwa w laboratoriach i zakładać sprzęt ochrony osobistej, odpowiedni do używanych substancji chemicznych. Protokoły warunków bezpieczeństwa można znaleźć w aktualnych kartach charakterystyki (MSDS/SDS) materiałów.

1. Napełnij pustą butlę próbek substancją DIPA (diizopropylamina) oraz wprowadź niebezpieczną informację odczynników na niewypełnionej etykiecie dołączonej do butli.
2. Zamontuj butlę próbek na przedniej części analizatora.
3. Podłącz wężyk z zestawu do naczynia pomiarowego. Wsuń wężyk do końca butli z roztworem kondycjonującym. Sprawdź, czy złączki wężyków są dobrze dociśnięte, aby opary z butli nie przedostały się do atmosfery.
4. Jeżeli korzystasz z pojemnika dla odczynu zerowego, zamontuj go w tylnej części urządzenia.

## Rozruch

Pamiętaj, aby prędkość przepływu i ciśnienie nie przekraczały wartości opisanych w punkcie [Specyfikacje](#) na stronie 202.

1. Odkręć zawór dopływu próbki, aby ta zaczęła przepływać przez analizator.
2. Użyj pokrętki miernika przepływu, aby ustawić jego prędkość.
3. Sprawdź całą instalację pod kątem wycieków i podejmij odpowiednie środki zaradcze.
4. Podłącz zasilanie do urządzenia sterującego.
5. Po uruchomieniu kontrolera wybierz odpowiednie opcje w menu.

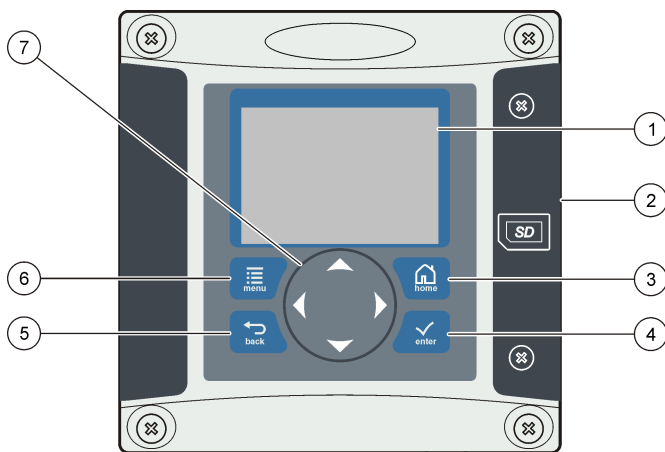
## Interfejs użytkownika i nawigacja

### Interfejs użytkownika

Klawiatura posiada cztery przyciski menu oraz cztery strzałki kierunkowe, tak jak pokazano na rysunku [Rysunek 4](#).



**Rysunek 4** Klawiatura i widok na panel przedni



1 Wyświetlacz urządzenia	5 Przycisk <b>BACK</b> . Przenosi o jeden poziom do tyłu w strukturze menu.
2 Pokrywa gniazda karty pamięci SD	6 Przycisk <b>MENU</b> . Przenosi do Menu ustawienia z innych ekranów i podmenu.
3 Przycisk <b>HOME</b> . Przejście do głównego menu pomiarowego z innych ekranów i podmenu.	7 Przyciski strzałek. Służą do poruszania się po menu, do zmiany ustawień oraz zwiększania lub zmniejszania wartości liczbowych.
4 Przycisk <b>ENTER</b> . Zatwierdzanie wprowadzonych wartości, aktualizacji oraz wyświetlonych opcji menu.	

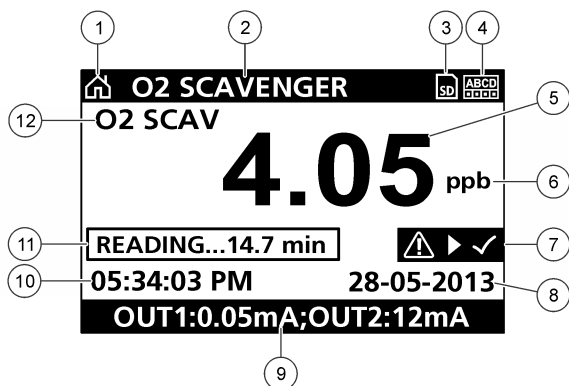
Wejścia i wyjścia są konfigurowane poprzez panel przedni za pomocą klawiatury oraz ekranu wyświetlacza. Interfejs użytkownika jest wykorzystywany do konfigurowania wejść i wyjść, tworzenia informacji o rejestracji, obliczania wartości oraz do kalibracji czujników. Interfejs karty SD służy do zapisywania rejestrów i aktualizowania oprogramowania.

## Wyświetlacz

Rysunek 5 zawiera przykład głównego ekranu pomiarowego, gdy czujnik jest podłączony do kontrolera.

Na przednim panelu wyświetlacza pokazane są dane pomiarowe, ustawienia kalibracji i ogólne, błędy, ostrzeżenia oraz inne informacje.

## Rysunek 5 Przykładowy ekran pomiarowy



1 Ikona ekranu głównego	7 Pasek ostrzeżeń
2 Nazwa czujnika	8 Data
3 Ikona karty pamięci SD	9 Wartości złącza analogowego
4 Wskaźnik stanu przekaźnika	10 Godzina
5 Wartość pomiaru	11 Pasek postępu
6 Jednostka pomiaru	12 Parametr pomiarowy

Tabela 4 Opisy ikon

Ikona / klawisz	Opis
Ekran główny	Wygląd ikony zależy od wyświetlanego ekranu lub menu. Przykładowo, jeśli zainstalowana jest karta SD, a użytkownik znajduje się w menu konfiguracji karty SD, wyświetlana będzie ikona karty SD.
Karta pamięci SD	Ikona ta jest wyświetlana, tylko jeśli w gnieździe czytnika znajduje się karta SD. Gdy użytkownik znajduje się w menu konfiguracji kart SD, ikona ta jest wyświetlana w lewym, górnym rogu.
Ostrzeżenie	Ikona ostrzeżenia ma formę wykrzyknika wpisanego w trójkąt. Ikony ostrzegawcze pojawiają się na prawo od głównego wyświetlacza poniżej wartości pomiaru. Wciśnij klawisz <b>ENTER</b> , a następnie wybierz urządzenie, aby wyświetlić wszystkie związane z nim problemy. Ikona ostrzeżenia nie będzie wyświetlana, gdy wszystkie problemy zostaną naprawione lub zatwierdzone.
Błąd	Ikona błędu ma formę wykrzyknika wpisanego w okrąg. W przypadku wystąpienia błędu, ikona błędu i ekran pomiaru będą naprzemiennie wyświetlane na ekranie głównym. Aby wyświetlić błędy, naciśnij klawisz <b>MENU</b> i wybierz opcję <b>Diagnostyka</b> . Następnie wybierz urządzenie, aby wyświetlić problemy związane z tym urządzeniem.

## Dodatkowe formaty wyświetlania

- Na głównym ekranie pomiarowym wciśnij **strzałkę w górę** lub **w dół**, aby przełączać się pomiędzy parametrami.
- Wciśnij **strzałkę w prawo**, aby podzielić ekran na maksymalnie 4 części, zawierające mierzone parametry. Wciśnij **strzałkę w prawo**, aby uwzględnić dodatkowe pomiary. Wciśnij **strzałkę w lewo**, aby w razie potrzeby wrócić do głównego ekranu pomiarowego.
- Na głównym ekranie pomiarowym wciśnij **strzałkę w lewo**, aby przełączyć się na wykres (aby zdefiniować parametry, przejdź do punktu **Tryb graficzny** na stronie 219). Wciśnij **strzałkę w górę** lub **w dół**, aby przełączać się pomiędzy wykresami dla poszczególnych pomiarów.

## Tryb graficzny

Wykres przedstawia pomiary stężenia i temperatury dla każdego używanego kanału. Wykres umożliwia łatwe monitorowanie trendów i pokazuje zmiany w procesie.

1. Na ekranie prezentacji graficznej naciśnij klawisz strzałki w górę lub w dół, aby wybrać wykres i wciśnij klawisz **home**.
2. Wybór opcji:

Opcja	Opis
<b>MEASUREMENT VALUE (WARTOŚĆ POMIARU)</b>	Ustaw wartość pomiaru dla wybranego kanału. Opcje do wyboru to AUTO SCALE (podzielnia automatyczna) i MANUALLY SCALE (podzielnia ręczna). Do ręcznego skalowania wprowadź minimalne i maksymalne wartości pomiarów
<b>DATE &amp; TIME RANGE (zakres daty i czasu)</b>	Wybierz zakres daty i czasu z dostępnych opcji

## Użytkowanie

### Konfiguracja czujnika

Aby wprowadzić informacje identyfikacyjne czujnika i zmienić opcje obsługi i przechowywania danych należy użyć menu CONFIGURE.

1. Naciśnij klawisz **menu** i wybierz SENSOR SETUP>CONFIGURE (ustawienia czujnika>konfiguracja).
2. Użyj klawiszy strzałek, aby wybrać opcje i naciśnij **enter**. Aby wprowadzić cyfry, litery lub znaki, naciśnij i przytrzymaj klawisz strzałki **w górę** lub **w dół**. Wciśnij **prawy** klawisz strzałki, aby przejść do następnej pozycji.

Opcja	Opis
<b>EDIT NAME (EDYTUJ NAZWĘ)</b>	Zmienia nazwę czujnika, wyświetlaną na górze ekranu pomiarowego. Nazwa nie może być dłuższa niż 16 znaków i może stanowić dowolną kombinację liter, cyfr, odstępów i znaków interpunkcyjnych.
<b>SENSOR S7N (NR SER CZUJNIKA)</b>	Umożliwia wprowadzenie numeru seryjnego czujnika. Numer może zawierać do 16 znaków i stanowi dowolną kombinację liter, cyfr, spacji i znaków interpunkcyjnych.
<b>MEAS UNITS (JEDN. POMIARU)</b>	Zmienia jednostki pomiaru - wybierz jednostkę z dostępnej listy.
<b>TEMP UNITS (JEDNOST. TEMP)</b>	Służy do wybrania jednostek temperatury °C (domyślnie) lub °F
<b>FILTER (FILTR)</b>	Umożliwia ustawienie stałej czasowej celem zwiększenia stabilności sygnału. Stała czasowa służy do obliczania średniej wartości w określonym czasie - od 0 (domyślnie, brak efektu) do 60 sekund (średnia wartość sygnału dla okresu 60 sekund). Filtrowanie wydłuża czas reakcji sygnału czujnika na rzeczywiste zmiany w procesie.
<b>LOG SETUP (USTAWIENIE REJESTRU)</b>	Umożliwia określenie interwału czasu przechowywania danych w rejestrze: 5, 30 sekund, 1, 2, 5, 10, 15 (domyślnie), 30, 60 minut.
<b>RESET DEFAULTS (PRZYWRÓĆ DOMYŚLNE)</b>	Przywraca domyślne wartości ustawień w menu konfiguracji. Wszystkie informacje czujnika zostaną utracone.

## Kalibracja

### Informacje o kalibrowaniu czujnika

Właściwości czujnika ulegają powolnym zmianom, co powoduje spadek dokładności pomiaru. Okresowe wykonywanie kalibracji jest konieczne dla zachowania właściwej dokładności czujnika.

Częstotliwość wykonywania kalibracji zależy od zastosowania urządzenia i najlepiej ustalić ją na podstawie własnego doświadczenia.

## Kalibracja temperatury

Zaleca się kalibrować czujnik temperatury raz w roku. Kalibrować czujnik temperatury przed kalibrowaniem czujnika pomiaru.

1. Zmierz temperaturę wody precyzyjnym termometrem lub innym przyrządem.
2. Naciśnij klawisz **menu** i wybierz SENSOR SETUP>CALIBRATE (ustawienia czujnika>kalibracja).
3. Jeżeli kod dostępu jest włączony w menu zabezpieczeń dla kontrolera, wprowadź kod dostępu.
4. Wybierz 1 PT TEMP CAL i naciśnij klawisz **enter**.
5. Wyświetlana jest wartość pierwotnej temperatury. Wciśnij klawisz **enter**.
6. Wprowadź poprawną wartość, jeśli różni się od wartości wyświetlanej i naciśnij **enter**.
7. Wciśnij klawisz **enter**, aby potwierdzić kalibrację. Wyświetlane jest przesunięcie temperatury.

## Kalibracja zera

Wartość zera została skalibrowana w fabryce. Zastosuj procedurę kalibracji zerowej, aby określić unikalny punkt zerowy czujnika.

1. Jeżeli stężenie próbki wynosi < 10 ppb, dla uzyskania najlepszych wyników zaleca się używanie opcjonalnego wkładu kalibrowania zera (patrz [Części zamienne i akcesoria](#) na stronie 223) i pozostawienie czujnika na miejscu. W innym wypadku wyjąć czujnik z procesu i wypłukać w wodzie destylowanej.
2. Naciśnij klawisz **menu** i wybierz SENSOR SETUP>CALIBRATE (ustawienia czujnika>kalibracja).
3. Jeżeli kod dostępu jest włączony w menu zabezpieczeń dla kontrolera, wprowadź kod dostępu.
4. Wybierz ZERO CAL i naciśnij klawisz **enter**.
5. Wybierz opcję sygnału wyjściowego używanego podczas kalibracji:

Opcja	Opis
<b>ACTIVE (AKTYWNY)</b>	Podczas procedury kalibracji instrument wysyła aktualną mierzoną wartość wyjściową.
<b>HOLD (WSTRZYMANIE)</b>	Podczas procedury kalibracji wartość wyjściowego sygnału czujnika jest utożsamiana z aktualnie mierzoną wartością.
<b>TRANSFER</b>	Podczas procedury kalibracji jest wysyłana aktualna wartość sygnału wyjściowego. Informacje na temat zmiany wartości zadanej można znaleźć w podręczniku użytkownika urządzenia sterującego.

6. Jeżeli nie jest używany opcjonalny wkład kalibrowania zera, umieścić czysty czujnik w roztworze wolnym od hydrazyny, takim, jak ultra czysta woda, nacisnąć **enter**.
7. Począkać do jednej godziny aż wartość się ustabilizuje i nacisnąć **enter**.
8. Sprawdzić wynik kalibracji:
  - PASS (ZATWIERDZONO) - czujnik jest kalibrowany i wyświetlane jest przesunięcie.
  - FAIL (NIEZATWIERDZONO) - kalibracja poza przyjętymi limitami. Wyczyścić czujnik i spróbuj ponownie. Zobacz [Rozwiązywanie problemów](#) na stronie 222, aby uzyskać więcej informacji.
9. Jeśli kalibracja została zatwierdzona, wciśnij klawisz **enter**, aby kontynuować.
10. Jeżeli opcja dla identyfikatora operatora jest ustawiona na TAK w opcjach menu CAL OPTIONS, wprowadź wartość identyfikatora operatora. Zobacz [Zmianie opcji kalibracji](#) na stronie 222.

11. Na ekranie NEW SENSOR (nowy czujnik), zatwierdź czy czujnik jest nowy:

Opcja	Opis
<b>YES (TAK)</b>	Czujnik nie został jeszcze skalibrowany z tym kontrolerem. Liczba dni użytkowania czujnika i poprzednie krzywe kalibracji zostaną wyzerowane.
<b>NO (NIE)</b>	Czujnik był już kalibrowany z tym kontrolerem.

12. Jeżeli nie jest używany opcjonalny wkład kalibrowania zera, umieścić ponownie czujnik w procesie i nacisnąć **enter**. Sygnał wyjściowy powróci do stanu aktywnego, a na ekranie zostanie wyświetlona wartość mierzonej próbki.

**Uwaga:** Jeśli dla trybu wyjścia wybrano ustawienie wstrzymania lub transferu, wybierz czas opóźnienia, po jakim wyjście powróci do stanu aktywnego.

## Kalibracja przy użyciu próbki procesowej

Czujnik może pozostawać w przetwarzanej próbce.

1. Naciśnij klawisz **menu** i wybierz SENSOR SETUP>CALIBRATE (ustawienia czujnika>kalibracja).
2. Jeżeli kod dostępu jest włączony w menu zabezpieczeń dla kontrolera, wprowadź kod dostępu.
3. Wybierz SAMPLE CAL i naciśnij klawisz **enter**.
4. Wybierz opcję sygnału wyjściowego używanego podczas kalibracji:

Opcja	Opis
<b>ACTIVE (AKTYWNY)</b>	Podczas procedury kalibracji instrument wysyła aktualną mierzoną wartość wyjściową.
<b>HOLD (WSTRZYMANIE)</b>	Podczas procedury kalibracji wartość wyjściowego sygnału czujnika jest utożsamiana z aktualnie mierzoną wartością.
<b>TRANSFER</b>	Podczas procedury kalibracji jest wysyłana aktualna wartość sygnału wyjściowego. Informacje na temat zmiany wartości zadanej można znaleźć w podręczniku użytkownika urządzenia sterującego.

5. Gdy czujnik znajduje się w próbce procesowej naciśnij klawisz **enter**. Zostanie wyświetlona zmierzona wartość. Poczekać na ustabilizowanie się wartości i wciśnij klawisz **enter**.
6. Przy użyciu drugiego certyfikowanego przyrządu weryfikującego zmierzyc wartość stężenia próbki. W celu uniknięcia zanieczyszczeń w próbce wykonać pomiar zanim próbka wpłynie do komory przepływu. Użyj klawiszy strzałek, aby wprowadzić tą wartość, jeśli różni się od wartości wyświetlanej i naciśnij **enter**.
7. Sprawdź wynik kalibracji:
  - PASS (ZATWIERDZONO)- czujnik jest kalibrowany i wyświetlany jest współczynnik kalibrowania.
  - FAIL (NIEZATWIERDZONO) - kalibracja poza przyjętymi limitami. Wyczyść czujnik i spróbuj ponownie. Zobacz [Rozwiązywanie problemów](#) na stronie 222, aby uzyskać więcej informacji.
8. Jeśli kalibracja została zatwierdzona, wciśnij klawisz **enter**, aby kontynuować.
9. Jeżeli opcja dla identyfikatora operatora jest ustawiona na TAK w opcjach menu CAL OPTIONS, wprowadź wartość identyfikatora operatora. Zobacz [Zmianie opcji kalibracji](#) na stronie 222.
10. Na ekranie NEW SENSOR (nowy czujnik), zatwierdź czy czujnik jest nowy:

Opcja	Opis
<b>YES (TAK)</b>	Czujnik nie został jeszcze skalibrowany z tym kontrolerem. Liczba dni użytkowania czujnika i poprzednie krzywe kalibracji zostaną wyzerowane.
<b>NO (NIE)</b>	Czujnik był już kalibrowany z tym kontrolerem.

11. Przy czujniku pozostającym nadal w procesie nacisnąć **enter**. Sygnał wyjściowy powróci do stanu aktywnego, a na ekranie zostanie wyświetlona wartość mierzonej próbki.

**Uwaga:** Jeśli dla trybu wyjścia wybrano ustawienie wstrzymania lub transferu, wybierz czas opóźnienia, po jakim wyjście powróci do stanu aktywnego.

## Zmianianie opcji kalibracji

W tym menu użytkownik może ustawić przypomnienie o kalibracji lub uwzględnić identyfikator operatora w danych kalibracyjnych.

1. Naciśnij klawisz **menu** i wybierz SENSOR SETUP>CALIBRATE (ustawienia czujnika>kalibracja).
2. Jeżeli kod dostępu jest włączony w menu zabezpieczeń dla kontrolera, wprowadź kod dostępu.
3. Wybierz CAL OPTIONS i naciśnij klawisz **enter**.
4. Użyj klawiszy strzałek, aby wybrać opcje i naciśnij klawisz **enter**.

Opcja	Opis
<b>CAL REMINDER (PRZYPOMN. KALIBR.)</b>	W tym menu użytkownik może ustawić przypomnienie o następnej kalibracji za daną liczbę dni, miesięcy lub lat — odpowiednie opóźnienie należy wybrać z listy.
<b>OP ID ON CAL (ID OP. NA KAL.)</b>	Uwzględnia identyfikator operatora w danych kalibracyjnych - TAK lub NIE (domyślnie). Identyfikator wprowadza się podczas kalibracji.

## Konserwacja

### ⚠ NIEBEZPIECZEŃSTWO

Wiele zagrożeń. Tylko wykwalifikowany personel powinien przeprowadzać prace opisane w tym rozdziale niniejszego dokumentu.

## Czyszczenie i odkażanie

### ⚠ NIEBEZPIECZEŃSTWO

Przed rozpoczęciem czynności konserwacyjnych zawsze należy wyłączać kontroler.

Analizator zwykle nie wymaga żadnego czyszczenia ani odkażania. Jeśli zajdzie taka potrzeba, wyczyść zewnętrzną powierzchnię przyrządu wilgotną ściereczką i łagodnym roztworem mydła. Do czyszczenia przyrządu, włącznie z wyświetlaczem i wszelkimi akcesoriami, nigdy nie używać takich środków czyszczących jak terpentyna, aceton lub podobne produkty.

## Rozwiązywanie problemów

### Lista ostrzeżeń

Ikona ostrzeżenia ma formę wykrzyknika wpisanego w trójkąt. Ikony ostrzegawcze pojawiają się na prawo od głównego wyświetlacza poniżej wartości pomiaru. Ostrzeżenia nie wpływają na działanie menu, przekaźników i wyjść. Aby wyświetlić ostrzeżenia, naciśnij klawisz **menu** i wybierz DIAGNOSTICS (diagnostyka). Następnie wybierz urządzenie, aby wyświetlić problemy związane z tym urządzeniem. Ikona ostrzeżenia nie będzie wyświetlana, gdy wszystkie problemy zostaną naprawione lub zatwierdzone.

Aby zapoznać się z listą możliwych ostrzeżeń, zobacz [Tabela 5](#).

**Tabela 5 Lista ostrzeżeń dotyczących czujników odtleniacza**

Ostrzeżenie	Opis	Rozwiązanie
O2 SCAVENGER TOO HIGH (ODTLENIACZ ZA WYS)	Mierzona wartość wynosi > 10000 ppm	Upewnij się czy poziom odtleniacza (hydrazyny lub karbohydryzy) w wodzie przemysłowej znajduje się w granicach działania czujnika. Wykonaj kalibrację czujnika lub wymień czujnik.
O2 SCAVENGER TOO LOW (ODTLENIACZ ZA NIS)	Mierzona wartość wynosi < 0 ppm	Wykonaj kalibrację czujnika lub wymień czujnik.

**Tabela 5 Lista ostrzeżeń dotyczących czujników odtleniacza (ciąg dalszy)**

Ostrzeżenie	Opis	Rozwiązanie
TEMP TOO HIGH (TEMPERATURA ZA WYSOKA)	Mierzona temperatura wynosi > 50 °C	Zmniejsz temperaturę próbki.
TEMP TOO LOW (TEMPERATURA ZA NISKA)	Mierzona temperatura wynosi < 0 °C	Zwiększ temperaturę próbki.
CURRENT TOO HIGH (PRĄD ZA WYSOKI)	Zmierzony prąd > 200 mA	Upewnij się czy poziom odtleniacza (hydrazyny lub karbohydrazy) w wodzie przemysłowej znajduje się w granicach działania czujnika. Wykonaj kalibrację czujnika lub wymień czujnik.
CURRENT TOO LOW (PRĄD ZA NISKI)	Zmierzony prąd <-0,5 mA	Wykonaj kalibrację czujnika lub wymień czujnik.
CAL OVERDUE (KAL OPÓŹN)	Upłynął czas określony za pomocą opcji Monit kalibracji	Wykonaj kalibrację czujnika.
REPLACE SENSOR (WYMIENŃ CZUJNIK)	Czujnik jest używany od ponad 365 dni	Wymień wkład do czujnika i skalibruj czujnik. Jeśli wynik kalibracji jest pomyślny, zresetuj liczbę dni użytkowania membrany w menu DIAGNOST/TEST.
NOT CALIBRATED (NIESKALIBR)	Czujnik nie został skalibrowany	Wykonaj kalibrację czujnika.
CAL IN PROGRESS (TRWA KAL)	Kalibracja została rozpoczęta, ale nie ukończona	Powróć do procedury kalibracji.

## Części zamienne i akcesoria

W celu uzyskania szczegółowych informacji na temat części zamiennych i akcesoriów należy zapoznać się z odpowiednim rozdziałem dokumentacji kontrolera.

**Uwaga:** Numery produktów i części mogą być różne w różnych regionach. Skontaktuj się z odpowiednim dystrybutorem albo znajdź informacje kontaktowe w witrynie internetowej firmy.

### Zestaw części zamiennych na 2 lata - 09186=A=8000

Opis	Ilość	Nr elementu
Filtr	6	363877,06000
Elektroda referencyjna	1	368429,00000
Dysza wtryskowa Venturi	1	359090,00024
O-ring dla dyszy wtryskowej Venturi	1	356099,05090
Plastikowe kulki czyszczące	7	588801,75008
Rura 4 x 6 mm	2 metry	151575,00006

### Kuweta pomiarowa

Opis	Nr elementu
Kuweta pomiarowa	09186=A=0100
Elektroda referencyjna	368429,00000
Elektroda robocza	09186=A=0300
Złączka kolankowa wlotu G1/8 DN 4/6	359103,10070

## Kuweta pomiarowa (ciąg dalszy)

Opis	Nr elementu
Złączka wylotowa G1/8 DN6/8	359103,10055
Wtyczka NPT1/8	431=201=018
Butla do kondycjonowania z wyposażeniem	09186=A=0200
Brązowa szklana butla	490=010=011
Porowaty wkład	09073=C=0340
Mocowanie G1/8 DN4/6	359103,10065
Regulator przepływu w zestawie	09186=A=0400
Złączka wlotowa G1/4 DN4/6	587=006=002
Krótką złączka kolankowa G1/4 DN4/6	359103,10072
Długa złączka kolankowa G1/4 DN4/6	587=906=002
Przepływomierz	694=000=001
Złączka kolankowa NPT1/8 DN4/6	359103,10170

## Akcesoria

Opis	Nr elementu
Wkład dla kalibracji przy zerowym potencjale chemicznym	09186=A=0600



# Innehållsförteckning

[Specifikationer](#) på sidan 225

[Allmän information](#) på sidan 227

[Installation](#) på sidan 229

[Start](#) på sidan 238

[Användargränssnitt och navigering](#) på sidan 238

[Användning](#) på sidan 240

[Underhåll](#) på sidan 243

[Felsökning](#) på sidan 243

[Reservdelar och tillbehör](#) på sidan 244

## Utökad version av handboken

Mer information finns i den utökade versionen av denna handbok, som är tillgänglig på tillverkarens webbplats.

## Specifikationer

Specifikationerna kan ändras utan föregående meddelande.

### Panel

Specifikation	Tekniska data
Mått	817 x 300 x 140 mm (32.2 x 11.8 x 5.5 in)
Vikt	14.6 kg (32.15 pund)
Provflödes hastighet	10–15 liter/timme
Arbetsstryck	0,5–6 bar (7–87 psi)
Omgivningstemperatur	0–60 °C (-32–140 °F)
Relativ fuktighet	10–90 %
Arbets elektrod	Platina
Motelektrod	Rostfritt stål
Referens	Ag / AgCl / KCl 0,1 M
Mätcell	Akryl
Provkonditionerare	DIPA (diisopropylamin)
Europeiska standarder	EN 61326 klass A för elektromagnetisk kompatibilitet; EN 601010-1 för säkerhet vid låg spänning
Internationella standarder	cETLus

### Sensor

Specifikation	Tekniska data
Mätområde	0–500 ppb hydrazin; 0–100 ppb karbohydrazid
Känslighet	< 0,2 ppb
Repeterbarhet	± 1 ppb eller ± 2 % av mätvärdet, beroende på vilket som är störst
Detektionsgräns	≤ 1 ppb
Svarstid	< 60 sekunder
Provtemperaturintervall	5–45 °C (41–113 °F)

## Styrenhet

Specifikation	Tekniska data
Komponentbeskrivning	Mikroprocessorkontrollerad och menydriven styrenhet som driver givaren och visar uppmätta värden.
Drifttemperatur	-20 to 60 °C (-4 to 140 °F); 95 % relativ fuktighet, icke kondenserande med givarlast <7 W; -20 to 50 °C (-4 to 104 °F) med givarlast <28 W
Förvaringstemperatur	-20 till 70 °C (-4 till 158 °F); 95 % relativ fuktighet, icke kondenserande
Kapsling <sup>1</sup>	NEMA 4X/IP66 metallkapsling med korrosionsskyddad yta
Effektbehov	<b>AC-strömförsörjd styrenhet:</b> 100-240 VAC ±10 %, 50/60 Hz. Effekt 50 VA med 7 W givar-/nätverksmodullast, 100 VA med 28 W givar-/nätverksmodullast (som tillval Modbus RS232-/RS485-, Profibus DPV1- eller HART-nätverksanslutning). <b>24 VDC-strömförsörjd styrenhet:</b> 24 VDC – 15 %, + 20 %. Effekt 15 W med 7 W givar-/nätverksmodullast, 40 W med 28 W givar-/nätverksmodullast (som tillval Modbus RS232-/RS485-, Profibus DPV1- eller HART-nätverksanslutning).
Höjdkrav	Standard 2 000 m. ö. h. (höjd över havet)
Föreningegrad/Installationskategori	Föreningegrad 2; Installationskategori II
Utgångar	Två analoga utgångar (0-20 mA eller 4-20 mA). Varje analog utgång kan tilldelas att representera en mätt parameter såsom pH, temperatur, flöde eller beräknade värden. Tillvalsmodulen ger tre extra analoga utgångar (totalt fem).
Reläer	De fyra användarkonfigurerade SPDT-kontakterna är märkta 250 VAC, resistiv max. 5 amp för den AC-strömförsörjda styrenheten och 24 VDC, resistiv max. 5 amp för den DC-strömförsörjda styrenheten. Reläer är utformade för anslutning till AC-nät (dvs. närhelst styrenheten strömförsörjs med 115 - 240 VAC) eller till DC-nät (dvs. närhelst styrenheten strömförsörjs med 24 VDC).
Mått	½ DIN—144 x 144 x 180,9 mm (5,7 x 5,7 x 7,12 tum)
Vikt	1,7 kg (3,75 lb)
EMC-krav	EN61326-1: EMC-direktiv <b>Observera:</b> Det här är en klass A-produkt. I hemmiljö kan denna produkt orsaka radiostörningar, och då kan användaren behöva vidta lämpliga åtgärder.
 Korean registration	<b>User Guidance for EMC Class A Equipment</b> 업무용을 위한 EMC 등급 A 장치에 대한 사용자 지침 사용자안내문 A 급 기기 ( 업무용 방송통신기자재 ) 이 기기는 업무용 (A 급 ) 전자파적합기기로서 판매자 또는 사용자는 이 점을 주의하시기 바라며, 가정외의 지역에서 사용하는 것을 목적으로 합니다.
EG-överensstämmelse	EN61010-1: Direktivet lågspänningsdirektivet
Digital kommunikation	Som tillval Modbus RS232-/RS485-, Profibus DPV1- eller HART-nätverksanslutning för dataöverföring

<sup>1</sup> Enheter som är certifierade av Underwriters Laboratories (UL) är endast avsedda för inomhusbruk och är inte klassificerade enligt NEMA 4X/IP66.

Specifikation	Tekniska data
Dataloggning	SD-kort (Secure Digital) (högst 32 GB) eller speciell RS232-kabelanslutning för dataloggning och programvaruuppdateringar. Styrenheten kan lagra cirka 20 000 datapunkter per sensor.
Garanti	2 år

## Allmän information

Tillverkaren är under inga omständigheter ansvarig för direkta, särskilda, indirekta eller följdskador som orsakats av eventuellt fel eller utelämnande i denna bruksanvisning. Tillverkaren förbehåller sig rätten att göra ändringar i denna bruksanvisning och i produkterna som beskrivs i den när som helst och utan föregående meddelande och utan skyldigheter. Reviderade upplagor finns på tillverkarens webbsida.

## Säkerhetsinformation

### ANMÄRKNING:

Tillverkaren tar inget ansvar för skador till följd av att produkten används på fel sätt eller missbrukas. Det omfattar utan begränsning direkta skador, oavsiktliga skador eller följdskador. Tillverkaren avsäger sig allt ansvar i den omfattning gällande lag tillåter. Användaren är ensam ansvarig för att identifiera kritiska användningsrisker och installera lämpliga mekanismer som skyddar processer vid eventuella utrustningsfel.

Läs igenom hela handboken innan instrumentet packas upp, monteras eller startas. Följ alla faro- och försiktighetshänvisningar. Om dessa anvisningar inte följs kan användaren utsättas för fara eller utrustningen skadas.

Kontrollera att skyddet som ges av den här utrustningen inte är skadat. Utrustningen får inte användas eller installeras på något annat sätt än så som specificeras i den här handboken.

### Anmärkning till information om risker

#### ▲ FARA

Indikerar en potentiellt eller överhängande riskfylld situation som kommer att leda till livsfarliga eller allvarliga skador om den inte undviks.

#### ▲ VARNING

Indikerar en potentiellt eller överhängande riskfylld situation som kan leda till livsfarliga eller allvarliga skador om situationen inte undviks.

#### ▲ FÖRSIKTIGHET



Indikerar en potentiellt riskfylld situation som kan resultera i lindrig eller måttlig skada.






### ANMÄRKNING:

Indikerar en potentiellt riskfylld situation som kan medföra att instrumentet skadas. Information som användaren måste ta hänsyn till vid hantering av instrumentet.

## Varnings skyltar

Beakta samtliga dekaler och märken på instrumentet. Personskador eller skador på instrumentet kan uppstå om dessa ej beaktas. En symbol på instrumentet beskrivs med en försiktighetsvarning i bruksanvisningen .

	Detta är symbolen för säkerhetsvarningar. Följ alla säkerhetsanvisningar som följer efter denna symbol för att undvika potentiella skador. Om den sitter på instrumentet - se bruksanvisningen för information om drift eller säkerhet.
	Denna symbol indikerar risk för elektrisk stöt och/eller elchock.

	Denna symbol indikerar utrustning som är känslig för elektrostatisk urladdning (ESD). Särskilda åtgärder måste vidtas för att förhindra att utrustningen skadas.
	När den här symbolen finns på en produkt anger den att symbolen är ansluten till växelström.
	Elektrisk utrustning markerad med denna symbol får inte avyttras i europeiska hushållsavfallssystem eller allmänna avfallssystem. Returnera utrustning som är gammal eller har nått slutet på sin livscykel till tillverkaren för avyttring, utan kostnad för användaren.
	När denna symbol är märkt på produkt anges att produkten innehåller giftiga eller farliga ämnen eller föremål. Numret inuti symbolen anger användningsperiod i år för skydd av miljön.
	Produkter som är märkta med den här symbolen överensstämmer med relevanta standarder för elektromagnetisk kompatibilitet i Sydkorea.

## Certifiering

### Canadian Radio Interference-causing Equipment Regulation, IECS-003, Klass A:

Stödjande testresultat finns hos tillverkaren.

Den digitala apparaten motsvarar klass A och uppfyller alla krav enligt kanadensiska föreskrifter för utrustning som orsakar störning.

### FCC del 15, klass "A" gränser

Stödjande testresultat finns hos tillverkaren. Denna utrustning uppfyller FCC-reglerna, del 15. Användning sker under förutsättning att följande villkor uppfylls:

1. Utrustningen bör inte orsaka skadlig störning.
2. Utrustningen måste tåla all störning den utsätts för, inklusive störning som kan orsaka driftsstörning.

Ändringar eller modifieringar av utrustningen, som inte uttryckligen har godkänts av den part som ansvarar för överensstämmelsen, kan ogiltigförklara användarens rätt att använda utrustningen. Den här utrustningen har testats och faller inom gränserna för en digital enhet av klass A i enlighet med FCC-reglerna, del 15. Dessa gränser har tagits fram för att ge rimligt skydd mot skadlig störning när utrustningen används i en kommersiell omgivning. Utrustningen genererar, använder och kan utstråla radiofrekvensenergi och kan, om den inte installeras och används enligt handboken, leda till skadlig störning på radiokommunikation. Användning av utrustningen i bostadsmiljö kan orsaka skadlig störning. Användaren ansvarar då för att på egen bekostnad korrigera störningen. Följande tekniker kan användas för att minska problemen med störningar:

1. Koppla ifrån utrustningen från strömkällan för att kontrollera om detta utgör orsaken till störningen eller inte.
2. Om utrustningen är kopplad till samma uttag som enheten som störs ska den kopplas till ett annat uttag.
3. Flytta utrustningen bort från den utrustning som tar emot störningen.
4. Positionera om mottagningsantennen för den utrustning som tar emot störningen.
5. Prova med kombinationer av ovanstående.

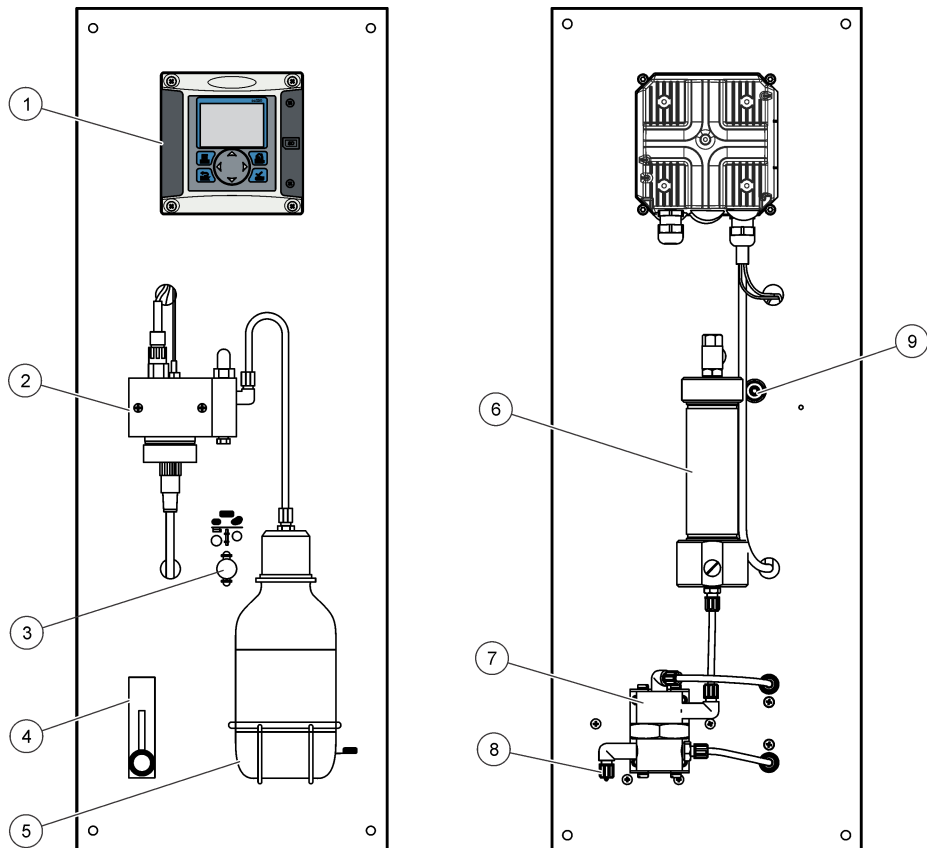
## Produktens delar

Se till att alla delar har tagits emot. Om några delar saknas eller är skadade, kontakta omedelbart tillverkaren eller en återförsäljare.

## Produktöversikt

Analysatorn är utformad för att kontinuerligt mäta mängden syreabsorberare (hydrazin eller karbohydrazid) i vatten.

Figur 1 Vy framifrån och bakifrån



1 Styrenhet	6 Behållare för kemikalisk nollkalibrering (tillval)
2 Mätcell	7 Tryckregulator
3 Kemikalisk nollkalibrering på/av	8 Provinlopp, 4/6 mm slang
4 Flödesmätare	9 Provutlopp, 6/8 mm slang, atmosfärstryck
5 Flaska för provkonditionering (DIPA)	

## Installation

### ▲ FÖRSIKTIGHET



Flera risker. Endast kvalificerad personal får utföra de moment som beskrivs i den här delen av dokumentet.

## Montering av analysatorn

### ▲ FÖRSIKTIGHET

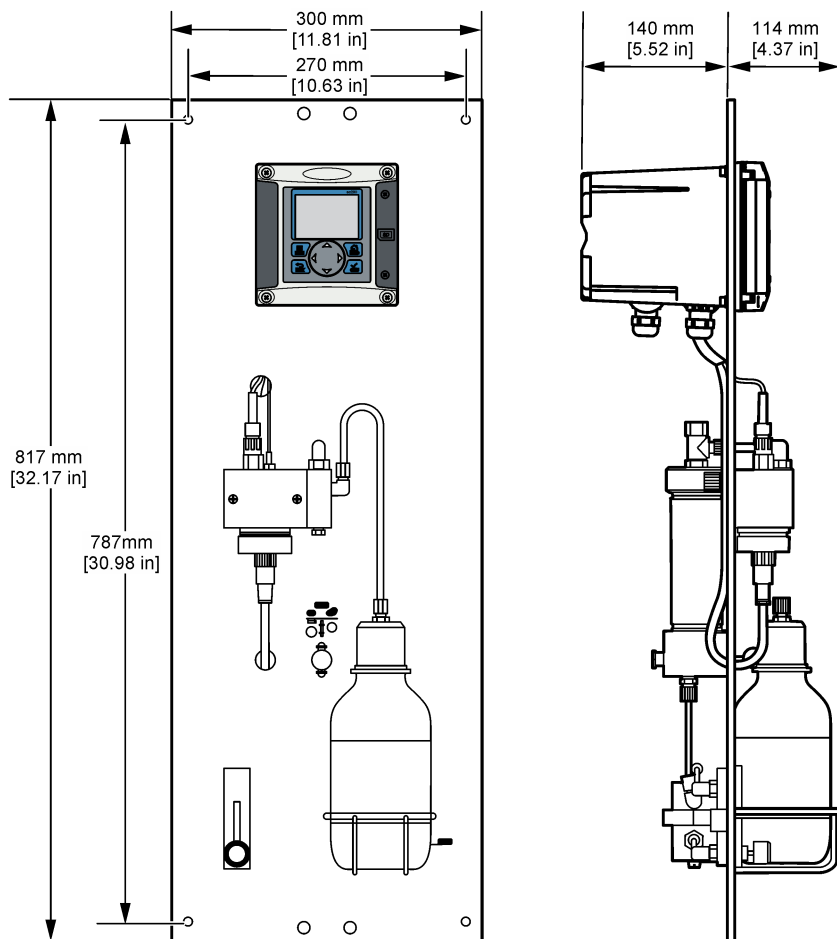
Risk för personskada. Instrumentet och komponenterna är tunga. Ta hjälp vid installation eller flytt. Se till att väggstativet kan hålla 4 gånger utrustningens vikt.

### ANMÄRKNING:

Analysatorn måste sitta helt lodrätt för att noggrannheten ska kunna garanteras.

Fäst analysatorn på en stabil, lodrät yta. Använd ett vattenpass för att se till att analysatorn sitter helt lodrätt. Se riktlinjerna som följer.

- Placera instrumentet på en plats med åtkomst för drift, service och kalibrering.
- Se till att det är lätt att se skärmen och reglagen.
- Håll instrumentet borta från värmekällor.
- Håll instrumentet borta från vibrationer.
- Ha så korta provslangar som möjligt för att minimera svarstiden.
- Se till att det inte finns någon luft i provtillförselsslangen.

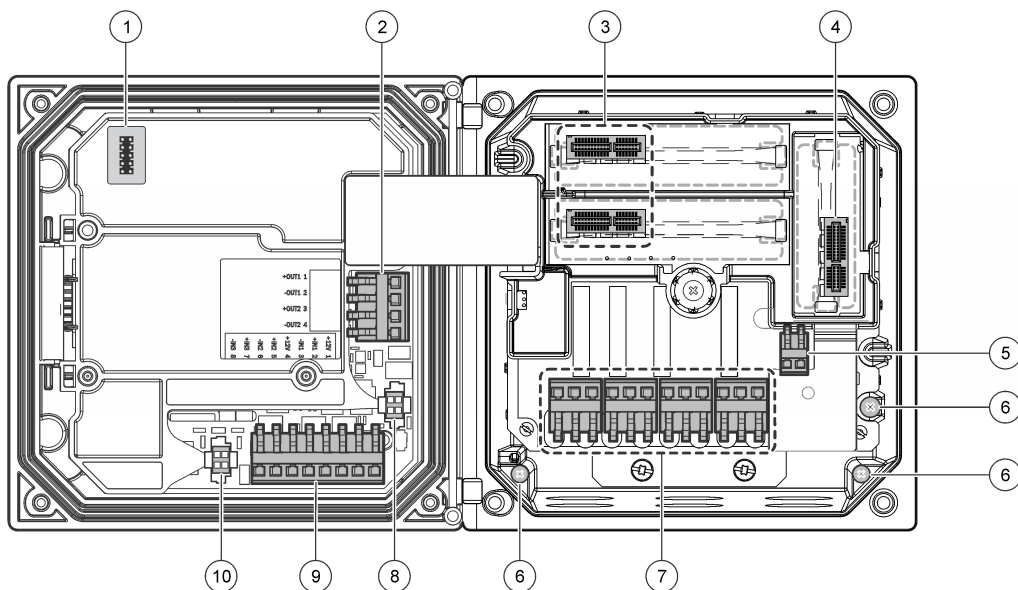


## Kabeldragningsöversikt

Figur 2 visar en översikt över kabelanslutningarna inuti styrenheten med högspänningsspärren borttagen. Bildens vänstra sida visar styrenhetskåpens baksida.

**Observera:** Ta bort locken från anslutningarna innan du installerar en modul

Figur 2 Översikt över kabelanslutningar



1 Strömkabelanslutning	5 AC- och DC-strömsanslutning <sup>2</sup>	9 Kabelkontakt för diskret ingång <sup>2</sup>
2 4-20 mA-utgång <sup>2</sup>	6 Jordterminaler	10 Digital givaranslutning <sup>2</sup>
3 Givarmodulanslutning	7 Reläanslutningar <sup>2</sup>	
4 Kommunikationsmodulanslutning (till exempel Modbus, Profibus, HART, 4-20 mA tillvsmodul.)	8 Digital givaranslutning <sup>2</sup>	

### Högspänningsspärr

Styrenhetens högspänningsskablage finns bakom högspänningsspärren i styrenhetens kapsling. Spärren måste alltid vara på plats förutom när moduler installeras eller när en kvalificerad installationstekniker kopplar in ström, larm, utgångar eller reläer. Ta inte bort spärren när styrenheten är strömförande.

### Spänningsanslutning

#### ⚠ VARNING



Potentiell risk för dödande elchock. Koppla alltid bort matningsspänningen till instrumentet då elektriska kopplingar ska göras.

#### ⚠ VARNING



Potentiell risk för dödande elchock. Om denna utrustning används utomhus eller i potentiellt fuktiga miljöer måste ett **jordfelskydd** användas vid anslutning av utrustningen till nätström.

<sup>2</sup> Terminaler kan tas bort för förbättrad åtkomst.

## ⚠ FARA



Risk för dödande elchock. Anslut inte en 24 V-likströmsmodell till växelström.

## ⚠ VARNING



Potentiell risk för dödande elchock. Skyddsjord (PE) krävs både för 100-240 V AC och 24 V DC ledaranslutningar. Om ingen bra skyddsjord anslutits kan detta leda till risk för stötar och dålig funktion på grund av elektromagnetiska störningar. Anslut ALLTID en bra skyddsjord till styrenhetens uttag.

## ANMÄRKNING:

Installera utrustningen på en plats och ett ställe där det är enkelt att komma åt att koppla från utrustningen och att använda den.

Styrenheten kan köpas som antingen en 100-240 VAC-strömförsörd modell eller som en 24 VDC-strömförsörd modell. Följ gällande kabeldragningsinstruktioner för den modell du har köpt.

Styrenheten kan kopplas för nätström genom fast anslutning i ledaren eller anslutning till en strömkabel. Oavsett vilken kabel som används görs anslutningarna på samma terminaler. Lokal bortkoppling enligt lokala föreskrifter krävs och måste vara identifierad för alla typer av installationer. I fast anslutna tillämpningar måste ström och säkerhetsjordanslutningarna till instrumentet vara 18 till 12 AWG. Kontrollera att kabelisolering i fält är klassat till 80 °C (176 °F) minimum.

### Anmärkningar:

- Spänningsspärren måste avlägsnas innan några elektriska anslutningar utförs. När du har gjort alla anslutningar sätter du tillbaka spänningsspärren innan du stänger styrenhetens kåpa.
- En tätad dragavlastning och en strömkabel kortare än 3 meters längd med tre 18 AWG ledare (inklusive en säkerhetsjordkabel) kan användas för att upprätthålla miljöklassning enligt NEMA 4X/IP66.
- Styrenheter kan beställas med förinstallerad AC-nätkabel. Ytterligare nätkablar kan också beställas.
- DC-strömkällan som strömförsörjer 24 VDC-styrenheten måste upprätthålla spänningsreglering inom de specificerade 24 VDC - 5 % +20 % spänningsgränserna DC-strömkällan måste även ha tillräckligt skydd mot spänningsstötar och nättransienter.

### Kabeldragningsmetod

Ta hjälp av bildanvisningarna nedan och [Tabell 1](#) eller [Tabell 2](#) för att strömansluta styrenheten. Stick in varje kabel i rätt terminal till dess isoleringen ligger an mot terminalen så att ingen blottad tråd syns. Dra försiktigt i kablarna efter anslutning för att kontrollera att de sitter ordentligt. Täta alla icke använda öppningar på styrenheten med tätningspluggar.

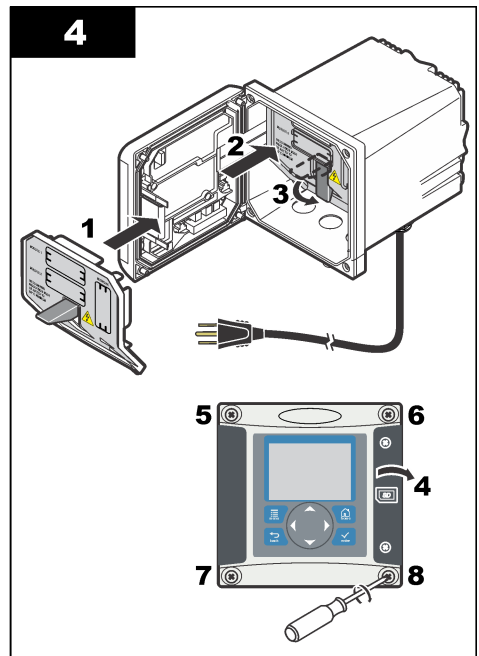
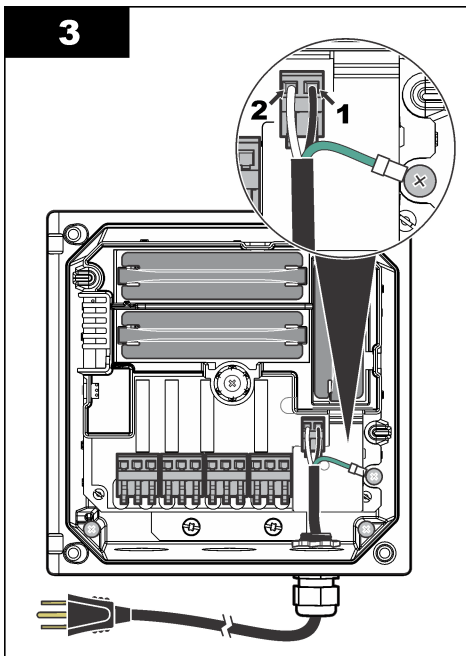
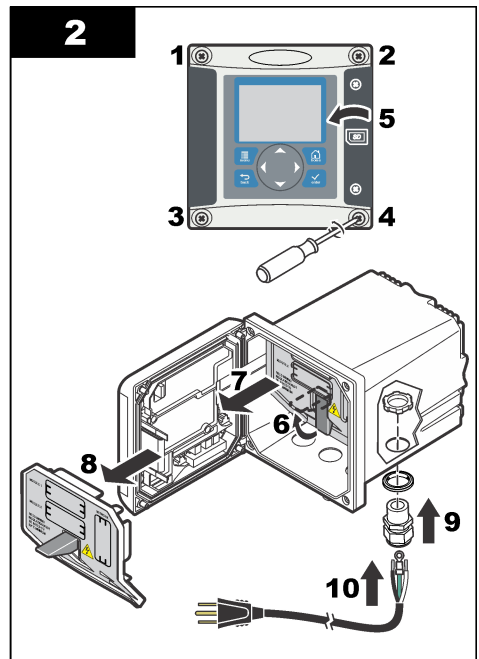
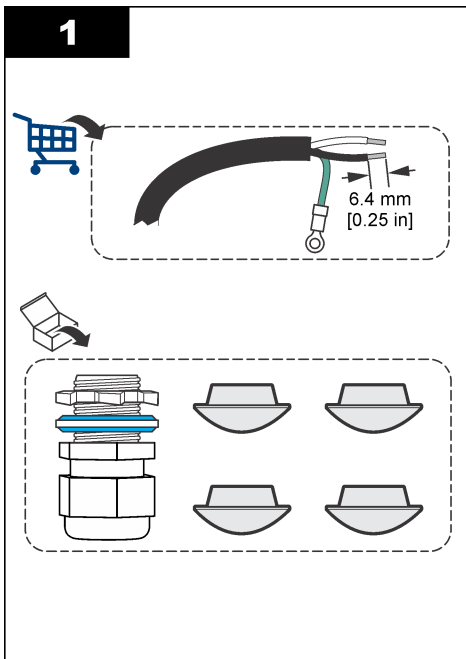
**Tabell 1 AC-kabeldragningsinformation (endast AC-strömförsörjda modeller)**

Plint	Beskrivning	Färg – Nordamerika	Färg – EU
1	Fas (L1)	Svart	Brun
2	Nolla (N)	Vit	Blå
–	Skyddsjordsanslutning	Grön	Grön med gul rand

**Tabell 2 DC-kabeldragningsinformation (endast DC-strömförsörjda modeller)**

Plint	Beskrivning	Färg – Nordamerika	Färg – EU
1	+24 VDC	Röd	Röd
2	24 VDC-retur	Svart	Svart
—	Skyddsjordsanslutning	Grön	Grön med gul rand





### Larm och reläer

Styrenheten är utrustad med fyra strömlösa enkelpolsreläer märkta 100-250 VAC, 50/60 Hz, resistiv max. 5 amp. Kontakterna är märkta 250 VAC, resistiv max. 5 amp för den AC-strömförsörjda

styrenheten och 24 VDC, resistiv max. 5 amp för den DC-strömförsörjda styrenheten. Reläerna är inte märkta för induktiva laster.

## Koppla reläer

### ⚠ VARNING



Potentiell risk för dödande elchock. Koppla alltid bort matningsspänningen till instrumentet då elektriska kopplingar ska göras.

### ⚠ VARNING



Potentiell brandrisk. Reläkontakterna är märkta 5A och är inte avsäkrade. Externa laster anslutna till reläerna måste ha strömbegränsande enheter tillgängliga för att begränsa strömstyrkan till < 5 A.

### ⚠ VARNING



Potentiell brandrisk. Kedjekoppla inte de vanliga reläanslutningarna och förbindningstråden från nätströmsanslutningen på instrumentets insida.

### ⚠ VARNING



Potentiell risk för dödande elchock. För att bibehålla kapslingens miljöklassning enligt NEMA/IP ska du endast använda genomföringar och kabeltätningar som uppfyller minst NEMA 4X/IP66 för att dra kablar in i instrumentet.

## AC-nätströmförsörjda (100-250 V) styrenheter

### ⚠ VARNING



Potentiell risk för dödande elchock. AC-strömförsörjda -styrenheter (115 V–230 V) är designade för reläanslutning till AC-strömkretsar (dvs. spänningar högre än 16 V-RMS, 22,6 V-TOPP eller 35 V DC).

Kabelutrymmet är inte anpassat för spänningsanslutningar som överstiger 250 VAC.

## 24 VDC-strömförsörjda styrenheter

### ⚠ VARNING



Potentiell risk för dödande elchock. 24 V-strömförsörjda -styrenheter är designade för reläanslutning till lågspänningskretsar (dvs. spänningar lägre än 16 V-RMS, 22,6 V-TOPP eller 35 V DC).

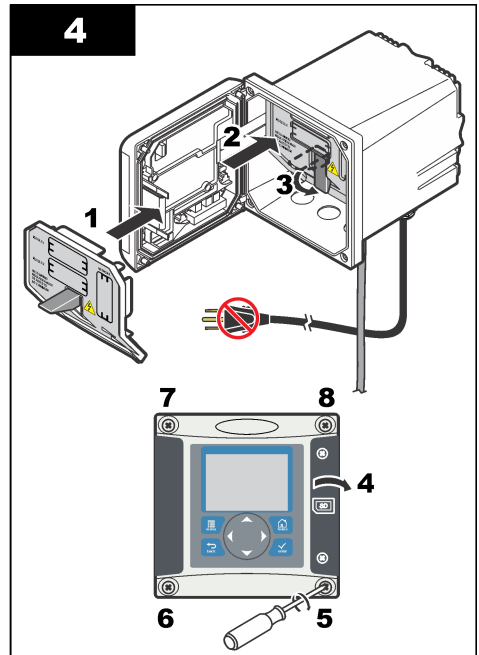
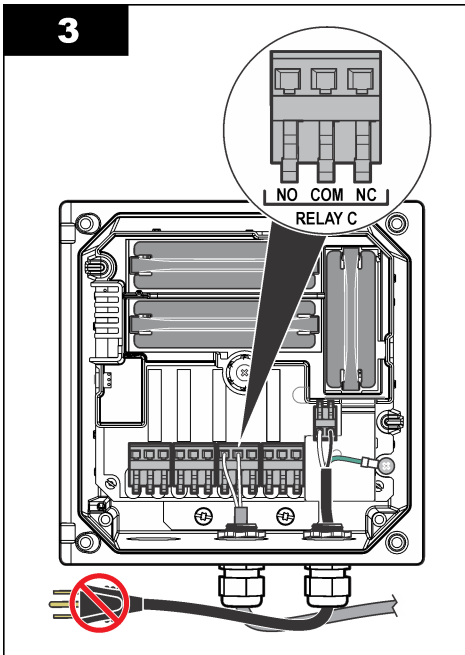
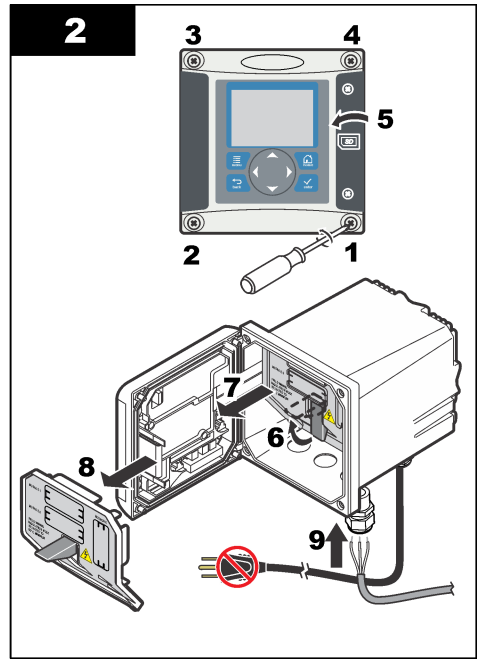
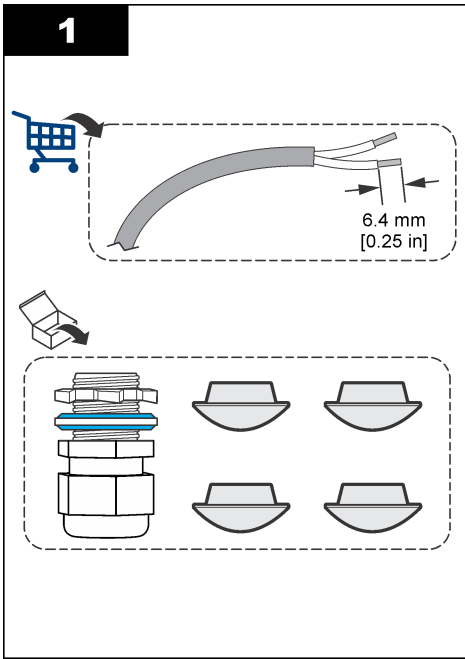
Styrenheten för 24 VDC är anpassad för anslutning till lågspänningskretsar (dvs. spänningar lägre än 30 V-RMS, 42,2 V-TOPP eller 60 VDC). Kabelutrymmet är inte anpassat för spänningsanslutningar som överstiger dessa nivåer.

Reläkontakten kan använda 18–12 AWG kabel (beroende på belastningsapplikation).

Tråddimension på mindre än 18 AWG rekommenderas ej. Kontrollera att kabelisolering i fält är klassat till 80 °C (176 °F) minimum.

De normalt öppna (NO) och allmänna (COM) reläkontakterna kommer att anslutas när ett larm eller annat tillstånd är aktivt. De normalt slutna (NC) och allmänna (COM) reläkontakterna kommer att anslutas när ett larm eller annat tillstånd är inaktivt (såvida inte Felsäkert är ställt på Ja) eller när strömmen kopplas bort från styrenheten.

De flesta reläanslutningarna använder antingen NO- och COM- eller NC- och COM-terminalerna. De numererade installationsstegen visar anslutning till NO- och COM-terminalerna,



## Analoga utgångsanslutningar

### ⚠ VARNING



Potentiell risk för dödande elchock. Koppla alltid bort matningsspänningen till instrumentet då elektriska kopplingar ska göras.

### ⚠ VARNING



Potentiell risk för dödande elchock. För att bibehålla kapslingens miljöklassning enligt NEMA/IP ska du endast använda genomföringar och kabeltätningar som uppfyller minst NEMA 4X/IP66 för att dra kablar in i instrumentet.

Det finns två isolerade analoga utgångar (1 och 2) (Figur 3). Sådana utgångar används vanligtvis för signalering eller för att styra andra externa enheter.

Gör kabelanslutningar till styrenheten så som visas i [Figur 3](#) och [Tabell 3](#).

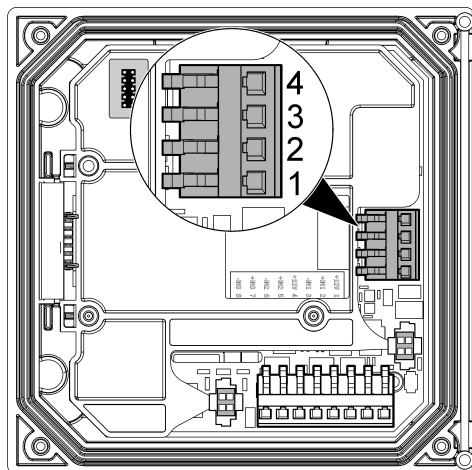
**Observera:** [Figur 3](#) visar baksidan av styrenhetens kåpa och inte insidan av huvudstyrenhetsutrymmet.

**Tabell 3 Utgångsanslutningar**

Inspelningskablar	Kretskortsplacering
Utgång 2-	4
Utgång 2+	3
Utgång 1-	2
Utgång 1+	1

1. Öppna styrenhetens lock.
2. Dra kablarna genom dragavlastningen.
3. Justera kablarna och dra fast dragavlastningen.
4. Gör anslutningar med partvinnad, skärmad kabel och anslut skärmen till den styrda komponenten eller vid änden av styrkretsen.
  - Anslut inte skyddet i båda kabeländarna.
  - Användning av en oskärmad kabel kan leda till radiofrekvensemission eller högre susceptibilitetsnivåer än vad som är tillåtet.
  - Maximalt slingresistans är 500 ohm.
5. Stäng styrenhetskåpan och dra fast kåpans skruvar.
6. Konfigurera utgångar i styrenheten.

**Figur 3 Analoga utgånganslutningar**



### Anslut den extra digitala kommunikationsutgången

Tillverkaren har funktioner för kommunikationsprotokollen Modbus RS485, Modbus RS232, Profibus DPV1 och HART. Den extra digitala utgångsmodulen är installerad på platsen som indikeras av delen 4 i [Figur 2](#) på sidan 231 Mer information finns i instruktionerna som medföljer nätverksmodulen.

### Koppla ihop provtagnings- och utloppsledningar

Anslut prov- och avloppsslangar till kopplingarna på panelens baksida.

1. Anslut provslangen till inloppets slanganslutning med 4/6 mm ytterdiameter.
2. Anslut en avloppsslang till avloppsanslutningen med 6/8 mm ytterdiameter. Gör avloppsslangen så kort som möjlig vid atmosfärstryck.

### Installera reagenserna

#### ▲ VARNING



Risk för kemikalieexponering. Följ laboratoriets säkerhetsanvisningar och bär all personlig skyddsutrustning som krävs vid hantering av kemikalier. Läs aktuella datablad (MSDS/SDS) om säkerhetsanvisningar.



1. Fyll den tomma flaskan för provkonditionering med DIPA (diisopropylamin) och ange informationen för farliga reagens på den blanka etiketten som är fäst på flaskan.
2. Installera flaskan för provkonditionering på analysatorns framsida.
3. Anslut den medföljande slangen till mätcellen. Installera slangen helt och hållet i flaskan med konditioneringslösning. Se till att slangkopplingarna är täta för att förhindra läckage av ångor från konditioneringsflaskan ut till omgivningen.
4. Om behållaren för kemikalisk nollkalibrering används ska behållaren installeras på analysatorns baksida.

## Start

Se till att flödes hastigheten och trycket inte överskrider värdena i [Specifikationer](#) på sidan 225.

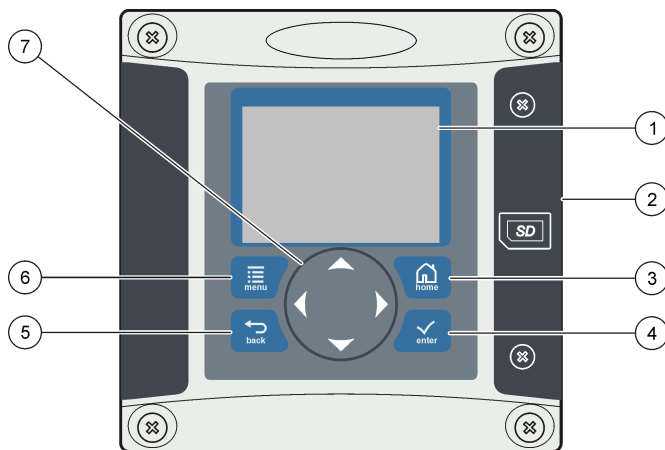
1. Öppna ventilen på provslangen så att provet kan flöda genom analysatorn.
2. Vrid på knappen på flödesmätaren för att ställa in flödes hastigheten.
3. Kontrollera rören med avseende på läckor och avbryt om några läckor hittas.
4. Slå på strömmen till styrenheten.
5. Välj lämpliga alternativ i menyn när styrenheten startar.

## Användargränssnitt och navigering

### Användargränssnitt

Knappsatsen har fyra menyknappar och fyra riktningsknappar som visas i [Figur 4](#)

**Figur 4** Vy över knappsats och frontpanel



1 Instrumentskärm	5 Knappen <b>BAKÅT</b> Går tillbaka en nivå i menystrukturen.
2 Lucka över SD-minneskortsuttag (Secure Digital)	6 Knappen <b>MENY</b> . Byter till inställningsmenyn från andra skärmar och undermenyer.
3 Knappen <b>HOME</b> . Byter till huvudmätsskärmen från andra skärmar och undermenyer.	7 Riktningknappar. Används för att navigera genom menyerna, byta inställningar och höja eller minska siffror.
4 Knappen <b>ENTER</b> . Accepterar ingångsvärden, uppdateringar eller visade menyalternativ.	

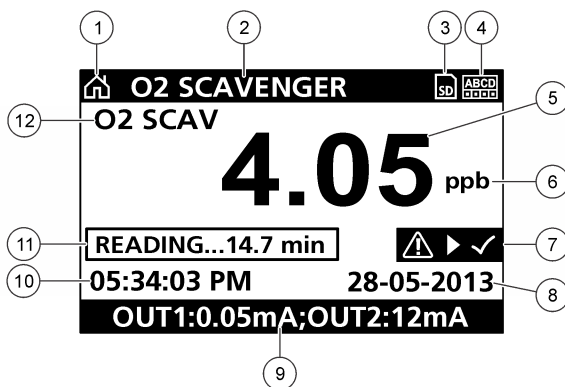
In- och utgångar ställs in och konfigureras genom frontpanelen med hjälp av knappsatsen och visningsskärmen. Detta användargränssnitt används för att ställa in och konfigurera in- och utgångar, skapa logginformation och kalkylerade värden samt kalibrera givare. SD-gränssnittet kan användas för att spara loggar och uppdatera programvara.

## Display

I [Figur 5](#) visas ett exempel på huvudmätsskärmen med givaren ansluten till styrenheten.

Den främre panelens skärm visar givarmätdata, kalibrerings- och konfigurationsinställningar, fel, varningar och annan information.

Figur 5 Exempel på huvudmättskärm



1 Hemskärmsikon	7 Varningsfält
2 Givarnamn	8 Datum
3 SD-minneskortsikon	9 Analoga utgångsvärden
4 Indikator för relästatus	10 Tid
5 Mätvärde	11 Förloppsindikator
6 Måttenhet	12 Mätparameter

Tabell 4 Ikonbeskrivningar

Ikon	Beskrivning
Hemskärm	Ikonen kan variera beroende på skärmen eller visad meny. Om till exempel ett SD-kort installeras visas en SD-kortikon här när användaren är i menyn Setup SD-kort .
SD-minneskort	Den här ikonen visas endast om det finns ett SD-kort i kortläsarens fack. När en användare är i menyn Setup SD-kort visas denna ikon uppe i vänstra hörnet.
Warning (varning)	En varningsikon består av ett utropstecken i en triangel. Varningsikoner visas till höger på huvudskärmen nedanför mätvärdet. Tryck på tangenten <b>ENTER</b> och välj sedan enhet för att visa problem som förknippas med den enheten. Varningsikonen visas inte längre när alla problem har korrigerats eller noterats.
fel	En felikon består av ett utropstecken i en cirkel. När ett fel uppstår blinkar både felikonen och mättskärmen omväxlande i huvudskärmen. Visa fel genom att trycka på <b>MENY</b> -tangenten och välja <b>Diagnostics</b> (Instrumentdiagnostik). Välj sedan enheten för att se eventuella fel som förknippas med den enheten.

### Ytterligare visningsformat

- Tryck på piltangenterna **UPP** och **NER** i Huvudmättskärmen för att växla mellan mättningsparametrar
- Tryck på **HÖGER** piltangent i Huvudmättskärmen för att växla till en delad skärm med upp till fyra mättningsparametrar. Tryck på **HÖGER** piltangent för att inkludera ytterligare mätningar. Tryck på **VÄNSTER** piltangent för att återgå till Huvudmättskärmen
- Tryck på **VÄNSTER** piltangent för att växla till den grafiska visningen (se [Grafisk visning](#) på sidan 239 för att definiera parametrarna). Tryck på piltangenterna **UPP** och **NER** för att växla mellan mättdiagram

### Grafisk visning

Diagrammet visar koncentration och temperaturmätningar för alla använda kanaler. Diagrammet gör det enkelt att övervaka trender och visar förändringar i processen.

1. Välj upp- och nertangenterna i den grafiska visningsskärmen för att välja ett diagram och tryck på **HOME**-tangenten.
2. Välj ett alternativ:

Alternativ	Beskrivning
<b>MÄTVÄRDE</b>	Ange mätvärdet för den valda kanalen. Välj mellan Auto Scale (Skala automatiskt) and Manually Scale (Skala manuellt). Ange minsta och största mätvärden för manuell skalning
<b>DATUM-/TIDINTERVALL</b>	Välj datum- och tidintervall från de tillgängliga alternativen

## Användning

### Konfigurera givaren

Använd menyn CONFIGURE (konfigurera) för att ange identifierande information för givaren och för att ändra alternativ för datahantering och lagring.

1. Tryck på knappen **menu** (meny) och välj SENSOR SETUP>CONFIGURE (givarinställning>konfigurera).
2. Använd pilknapparna för att välja ett alternativ och tryck på **enter**. Tryck och håll pilknapparna **upp** eller **ned** intryckta för att ange siffror, tecken eller skiljetecken. Flytta till nästa position genom att trycka på **höger** pilknapp.

Alternativ	Beskrivning
<b>EDIT NAME (Redigera namn)</b>	Ändrar namnet som motsvaras av givaren längst upp på displayen för mätning. Namnet får vara högst 16 tecken i en kombination av bokstäver, siffror, mellanslag och skiljetecken.
<b>SENSOR S/N</b>	Gör det möjligt för användaren att ange givarens serienummer, begränsat till 16 tecken i en kombination av bokstäver, siffror, mellanslag eller skiljetecken.
<b>ENHETER</b>	Ändrar mätenheterna - Välj enhet från listan som finns.
<b>TEMPERATURENHETER</b>	Anger temperaturenheter till °C (grundinställning) eller °F
<b>FILTER</b>	Ställer in en tidskonstant för att öka signalstabiliteten. Tidskonstanten beräknar medelvärdet under en angiven tid - 0 (ingen effekt, grundinställning) till 60 sekunder (medelvärdet för signalvärdet i 60 sekunder). Filtret ökar tiden det tar för givarsignalen att svara på verkliga förändringar i processen.
<b>LOG SETUP (loggkonfiguration)</b>	Ställer in tidsintervallet för datalagring i dataloggen - 5, 30 sekunder, 1, 2, 5, 10, 15 (grundinställning), 30 eller 60 minuter.
<b>ÅTERST DEFAULTVÄRDEN</b>	Återställer konfigurationsmenyn till grundinställningarna. All givarinformation har gått förlorad.

## Kalibrering

### Om givarkalibrering

Givarens egenskaper förändras med tiden och gör att givaren blir mindre noggrann. Givaren måste kalibreras regelbundet för att bibehålla noggrannheten. Kalibreringsfrekvensen varierar med användningsområdet och kan bäst bedömas utifrån erfarenhet.



## Temperaturkalibrering

Du rekommenderas att kalibrera temperaturgivaren en gång om året. Kalibrera temperaturgivaren innan mätgivaren kalibreras.

1. Mät vattnets temperatur med en exakt termometer eller oberoende instrument.
2. Tryck på knappen **menu** (meny) och välj SENSOR SETUP>CALIBRATE (givarinställning>kalibrera).
3. Om lösenordet är aktiverat i styrenhetens säkerhetsmeny ska du ange ett lösenord.
4. Välj 1 PT TEMP CAL (enpunktskalibrering av temperatur) och tryck på **ENTER**.
5. Det obehandlade temperaturvärdet visas. Tryck på **enter**.
6. Ange det korrekta värdet om det skiljer sig från det som visas och tryck på **enter**.
7. Tryck på **enter** för att bekräfta kalibreringen. Temperatur-offset visas.

## Nollkalibrering

Nollvärdet har fabrikskalibrerats. Använd nollkalibreringsproceduren för att definiera den unika nollpunkten för givaren.

1. Om provkoncentrationen är < 10 ppb rekommenderas du att för bästa resultat använda den tillvalbara behållaren för nollkalibrering (se [Reservdelar och tillbehör](#) på sidan 244) och låta givaren vara kvar på plats. I annat fall ska givaren tas ut ur processen och sköljas i destillerat vatten.
2. Tryck på knappen **menu** (meny) och välj SENSOR SETUP>CALIBRATE (givarinställning>kalibrera).
3. Om lösenordet är aktiverat i styrenhetens säkerhetsmeny ska du ange ett lösenord.
4. Välj ZERO CAL (nollkalibrering) och tryck på **enter**.
5. Välj alternativ för utsignalen under kalibreringen:

Alternativ	Beskrivning
<b>ACTIVE (Aktiv)</b>	Instrumentet sänder den aktuellt uppmätta utsignalen under kalibreringsproceduren.
<b>HOLD (Frost)</b>	Givarens utsignal läses vid aktuellt uppmätt värde under kalibreringsproceduren.
<b>TRANSFER (vald mA-signal)</b>	En förinställd utsignal skickas under kalibreringen. Information om hur du ändrar det förinställda värdet finns i instrumentets användarhandbok.

6. Om den tillvalbara behållaren inte används placeras du den rena givaren i en hydrazinfri lösning som ultrarent vatten och trycker på **enter**.
7. Vänta upp till en timme på att värdet ska stabiliseras och tryck på **enter**.
8. Granska kalibreringsresultatet:
  - PASS (godkänt) - givaren är kalibrerad och offset-värdet visas.
  - FAIL (underkänt) - kalibreringen ligger utanför de godkända gränserna. Rengör givaren och försök igen. Mer information finns i [Felsökning](#) på sidan 243.
9. Om kalibreringen godkändes trycker du på **enter** för att fortsätta.
10. Om alternativet för användar-ID är inställt på Yes (ja) i menyn CAL OPTIONS (kalibreringsalternativ) ska du ange ett användar-ID. Se [Ändra kalibreringsalternativ](#) på sidan 243.

11. På skärmen NEW SENSOR (ny givare) anger du om givaren är ny:

Alternativ	Beskrivning
------------	-------------

<b>Yes (Ja)</b>	Givaren har inte tidigare kalibrerats med detta instrument. Antal driftsdagar och tidigare kalibreringskurvor för givaren återställdes.
-----------------	---

<b>NO (Nej)</b>	Givaren har redan kalibrerats med detta instrument.
-----------------	---

12. Om den tillvalbara behållaren för nollkalibrering inte används återför du givaren till processen och trycker på **enter**. Utsignalen återgår till att vara aktiv och det mätta provets värde visas på displayen för mätning.

**Observera:** Om Utsignal mode är inställt på Låst eller Överför, välj tidsfördröjningen tills utgången försätts i aktivt läge.

## Kalibrering med processprovet

Givaren kan vara kvar i processprovet.

1. Tryck på knappen **menu** (meny) och välj SENSOR SETUP>CALIBRATE (givarinställning>kalibrera).
2. Om lösenordet är aktiverat i styrenhetens säkerhetsmeny ska du ange ett lösenord.
3. Välj SAMPLE CAL (provkalibrering) och tryck på **enter**.
4. Välj alternativ för utsignalen under kalibreringen:

Alternativ	Beskrivning
------------	-------------

<b>ACTIVE (Aktiv)</b>	Instrumentet sänder den aktuellt uppmätta utsignalen under kalibreringsproceduren.
-----------------------	--

<b>HOLD (Fryst)</b>	Givarens utsignal låses vid aktuellt uppmätt värde under kalibreringsproceduren.
---------------------	--

<b>TRANSFER (vald mA-signal)</b>	En förinställd utsignal skickas under kalibreringen Information om hur du ändrar det förinställda värdet finns i instrumentets användarhandbok.
----------------------------------	---

5. Med givaren i processprovet trycker du på **enter**. Det uppmätta värdet visas. Vänta tills värdet har stabiliserats och tryck på **enter**.
  6. Mät koncentrationen i provet med ett certifierat andra instrument för verifiering. Gör mätningen innan provet går in i provkammaren för att undvika orenheter. Använd pilknapparna för att ange det här värdet om det skiljer sig från det visade värdet och tryck på **enter**.
  7. Granska kalibreringsresultatet:
    - PASS (godkänt) - givaren är kalibrerad och kalibreringsfaktorn visas.
    - FAIL (underkänt) - kalibreringen ligger utanför de godkända gränserna. Rengör givaren och försök igen. Mer information finns i [Felsökning](#) på sidan 243.
  8. Om kalibreringen godkändes trycker du på **enter** för att fortsätta.
  9. Om alternativet för användar-ID är inställt på Yes (ja) i menyn CAL OPTIONS (kalibreringsalternativ) ska du ange ett användar-ID. Se [Ändra kalibreringsalternativ](#) på sidan 243.
10. På skärmen NEW SENSOR (ny givare) anger du om givaren är ny:

Alternativ	Beskrivning
------------	-------------

<b>Yes (Ja)</b>	Givaren har inte tidigare kalibrerats med detta instrument. Antal driftsdagar och tidigare kalibreringskurvor för givaren återställdes.
-----------------	---

<b>NO (Nej)</b>	Givaren har redan kalibrerats med detta instrument.
-----------------	---

11. Med givaren kvar i processprovet trycker du på **enter**. Utsignalen återgår till att vara aktiv och det mätta provets värde visas på displayen för mätning.

**Observera:** Om Utsignal mode är inställt på Låst eller Överför, välj tidsfördröjningen tills utgången försätts i aktivt läge.

## Ändra kalibreringsalternativ

Användaren kan ställa in en kalibreringspåminnelse eller inkludera ett användar-ID med kalibreringsdata från den här menyn.

1. Tryck på knappen **menu** (meny) och välj SENSOR SETUP>CALIBRATE (givarinställning>kalibrera).
2. Om lösenordet är aktiverat i styrenhetens säkerhetsmeny ska du ange ett lösenord.
3. Välj CAL OPTIONS (kalibreringsalternativ) och tryck på **enter**.
4. Använd piltangenterna för att välja ett alternativ och tryck på **enter**.

Alternativ	Beskrivning
KAL.PÅMINNELSE	Ställer in en påminnelse för nästa kalibrering i dagar, månader eller år - välj önskat intervall i listan.
ANV-ID VID KALIBR.	Lägger ett användar-ID till kalibreringsdata - Yes (ja) eller No (nej) (standardinställning). ID:t anges under kalibreringen.

## Underhåll

### ▲ FARA

Flera risker. Endast kvalificerad personal får utföra de moment som beskrivs i den här delen av dokumentet.

## Rengöring och dekontaminering

### ▲ FARA

Koppla alltid från strömmen från styrenheten innan du utför underhållsåtgärder.

Analysatorn kräver normalt inte någon rengöring eller dekontaminering. Rengör vid behov instrumentets utsida med en fuktig torkduk och en mild tvällösning. Använd aldrig rengöringsmedel som terpentin, aceton eller liknande produkter för att rengöra instrumentet, displayen eller något av tillbehören.

## Felsökning

### Lista över varningar

En varningsikon består av ett utropstecken i en triangel. Varningsikoner visas till höger på huvudskärmen nedanför mätvärdet. En varning påverkar inte menyernas, reläernas eller utgångarnas funktion. Visa varningar genom att trycka på knappen **menu** (meny) och välj Diagnostics (instrumentdiagnostik). Välj sedan enheten för att se eventuella fel som förknippas med den enheten. Varningsikonen visas inte längre när problemet har korrigerats eller bekräftats.

En lista över möjliga varningar finns i [Tabell 5](#).

**Tabell 5** Lista med varningar för givare för syreabsorberare

Warning (varning)	Beskrivning	Åtgärd
O2 SCAVENGER FÖR HÖG	Det uppmätta värdet är >10000 ppm	Se till att nivån av syreabsorberare (hydrazin eller karbohydrazid) ligger inom givarens driftsområde. Kalibrera eller byt ut givaren.
O2 SCAVENGER FÖR LÅG	Det uppmätta värdet är <0 ppm	Kalibrera eller byt ut givaren.
TEMP FÖR HÖG	Uppmätt temperatur är >50 °C	Minska provtemperaturen
TEMP FÖR LÅG	Uppmätt temperatur är < 0 °C	Öka provtemperaturen
STRÖM FÖR HÖG	Uppmätt ström > 200 mA	Se till att nivån av syreabsorberare (hydrazin eller karbohydrazid) ligger inom givarens driftsområde. Kalibrera eller byt ut givaren.

**Tabell 5 Lista med varningar för givare för syreabsorberare (fortsättning)**

Warning (varning)	Beskrivning	Åtgärd
STRÖM FÖR LÅG	Uppmätt ström < -0,5 mA	Kalibrera eller byt ut givaren.
KAL FÖRSENAD	Tiden för kal. påminnelse har gått ut	Kalibrera givaren.
BYT UT GIVARE	Givaren har varit i bruk > 365 dagar	Byt ut givarhuvudet och kalibrera givaren. Om kalibreringsresultatet är OK, återställ membran dagarna i menyn DIAG/TEST (diagnostik/test).
EJ KALIBRERAD	Givaren har inte kalibrerats	Kalibrera givaren.
KAL. PÅGÅR	En kalibrering startades men slutfördes inte.	Återgå till kalibreringen.

## Reservdelar och tillbehör

Se avsnittet om reservdelar och tillbehör i styrenhetens dokumentation för information om delar och tillbehör till styrenheten.

**Observera:** Produkt- och artikelnummer kan skilja sig åt för mellan vissa regioner för försäljning. Kontakta lämplig återförsäljare eller se företagets webbsida för att få kontaktinformation.

### Reservdelssatset för 2 år - 09186=A=8000

Beskrivning	Antal	Produktnr.
Filter (Medianfilter)	6	363877,06000
Referenselektrod	1	368429,00000
Venturi-injektionsmunstycke	1	359090,00024
O-ring till Venturi-injektionsmunstycke	1	356099,05090
Plastkuler för rengöring	7	588801,75008
4 × 6 mm PE-slangar	2 meter	151575,00006

### Mätcell

Beskrivning	Produktnr.
Mätcell	09186=A=0100
Referenselektrod	368429,00000
Arbetslektrod	09186=A=0300
Knäkoppling för inlopp G1/8 DN 4/6	359103,10070
Koppling för utlopp G1/8 DN6/8	359103,10055
NPT1/8-plugg	431=201=018
Konditioneringsflaska med utrustning	09186=A=0200
Brun glasflaska	490=010=011
Porös behållare	09073=C=0340
G1/8 DN4/6-koppling	359103,10065
Utrustad styrenhet för flödes hastighet	09186=A=0400
Koppling för inlopp G1/4 DN4/6	587=006=002

## Mätcell (fortsättning)

Beskrivning	Produktnr.
Kort knäkoppling, G1/4 DN4/6	359103,10072
Lång knäkoppling, G1/4 DN4/6	587=906=002
Flödesmätare	694=000=001
Knäkoppling, NPT1/8 DN4/6	359103,10170

## Tillbehör

Beskrivning	Produktnr.
Behållare för kemisk nollkalibrering	09186=A=0600

# Sisällysluettelo

[Tekniset tiedot](#) sivulla 246

[Yleistietoa](#) sivulla 248

[Asentaminen](#) sivulla 250

[Käynnistys](#) sivulla 259

[Käyttöliittymä ja selaaminen](#) sivulla 259

[Käyttö](#) sivulla 262

[Huolto](#) sivulla 265

[Vianmääritys](#) sivulla 265

[Varaosat ja varusteet](#) sivulla 266

## Käyttöohjeen laajennettu versio

Lisätietoja on tämän oppaan laajennetussa versiossa valmistajan verkkosivuilla.

## Tekniset tiedot

Tekniset tiedot voivat muuttua ilman ennakoilmoitusta.


### Paneeli

Ominaisuus	Lisätietoja
Mitat	817 x 300 x 140 mm (32,2 x 11,8 x 5,5 tuumaa)
Paino	14,6 kg (32,15 paunaa)
Näytevirtausnopeus	10 - 15 litraa tunnissa
Käyttöpaine	0,5 - 6 bar (7 - 87 psi)
Ympäristön lämpötila	0 - 60 °C (-32 - 140 °F)
Suhteellinen kosteus	10 - 90 %
Toimiva elektrodi	Platina
Vastaelektrodi	Ruostumaton teräs
Referenssi	Ag / AgCl / KCl 0,1 M
Mittauskenno	Akryyli
Näytteen käsittely	DIPA (di-isopropyylamiini)
Eurooppalaiset standardit	EN 61326 luokka A EMC:lle; EN 601010-1 pienjänniteturvallisuutta koskien
Kansainväliset standardit	cETLus

### Anturi

Ominaisuus	Lisätietoja
Mittausalue	0—500 ppb hydratsiini; 0—100 ppb karbohydratsidi
Herkkyys	< 0,2 ppb
Toistettavuus	1 ppb tai $\pm 2$ % mittauksesta, kumpi onkaan suurempi
Ilmaisaraja	$\leq 1$ ppb
Vasteaika	< 60 sekuntia
Esimerkki mitatusta lämpötila-asteikosta	5—45 °C (41—113 °F)

## Vahvistin

Ominaisuus	Lisätietoja
Komponenttien kuvaus	Mikroprosessorilla ohjattava ja valikkokäyttöinen ohjain, joka käyttää anturia ja näyttää mittausarvoja.
Käyttölämpötila	-20...60 °C (-4...140 °F), 95 %:n suhteellinen kosteus, tiivistymätön, anturikuorma: <7 W. -20...50 °C (-4...104 °F), anturikuorma: <28 W.
Säilytyslämpötila	-20...70 °C (-4...158 °F); 95 %:n suhteellinen kosteus, tiivistymätön.
Kotelo <sup>1</sup>	Korroosionkestävä NEMA 4X/IP66 -metallikotelo.
Tehovaatimukset	<b>Vaihtovirtakäyttöinen vahvistin:</b> 100 - 240 VAC ±10 %, 50/60 Hz, teho 50 VA, jossa 7 W:n anturi-/verkkomodulikuorma, 100 VA, jossa 28 W:n anturi-/verkkomodulikuorma (valinnainen Modbus-, RS232/RS485-, Profibus DPV1- tai HART-verkkoliitäntä). <b>24 VDC:n vahvistin:</b> 24 VDC – 15 %, +20 %; teho 15 W, jossa 7 W:n anturi-/verkkomodulikuorma, 40 W, jossa 28 W:n anturi-/verkkomodulikuorma (valinnainen Modbus-, RS232/RS485-, Profibus DPV1- tai HART-verkkoliitäntä).
Korkeusvaatimukset	Vakiokorkeus 2000 metriä (6000 ft) merenpinnan yläpuolella
Saastumisaste / asennusluokka	Saastumisaste 2, asennusluokka II
Lähdöt	Kaksi analogista (0...20 mA tai 4...20 mA) lähtöä. Kukin lähtö voidaan määrittää kuvaamaan mitattua parametria, kuten pH:ta, lämpötilaa, virtausta tai laskettuja arvoja. Lisämoduulissa on kolme ylimääräistä analogista tuloa (yhteensä 5).
Releet	Neljä käyttäjän määrittämää SPDT-liitintä: vaihtovirralla toimivien vahvistimien liittimien luokituksena on 250 VAC ja 5 A (maksimivastus) ja tasavirralla toimivien vahvistimien liittimien luokitus 24 VDC ja 5 A (maksimivastus). Releet on suunniteltu AC-virtapiireihin (käytettäessä ohjainta 115 - 240 VAC:n teholla) tai DC-virtapiireihin (esimerkiksi käytettäessä ohjainta 24 VDC:n teholla).
Mitat	½ DIN—144 x 144 x 180,9 mm (5,7 x 5,7 x 7,12 tuumaa)
Paino	1,7 kg (3,75 lb)
EMC-vaatimukset	EN61326-1: EMC-direktiivi <b>Huomautus:</b> Tämä on luokan A tuote. Tämä tuote saattaa kotikäytössä aiheuttaa radiohäiriöitä, jolloin käyttäjän on ryhdyttävä asianmukaisiin toimenpiteisiin.
 Korean registration	<b>User Guidance for EMC Class A Equipment</b> 업무용을 위한 EMC 등급 A 장치에 대한 사용자 지침 사용자안내문 A 급 기기 ( 업무용 방송통신기자재 ) 이 기기는 업무용 (A 급 ) 전자파적합기기로서 판매자 또는 사용자는 이 점을 주의하 시기 바라며 , 가정외의 지역에서 사용하는 것을 목적으로 합니다.
CE-merkintä	EN61010-1: Pienjännitedirektiivi
Digitaalinen tiedonsiirto	Valinnainen Modbus-, RS232/RS485-, Profibus DPV1- tai HART-verkkoliitäntä tiedonsiirtoon
Datan keruu	Secure Digital -kortti (enintään 32 Gt) tai erillinen RS232-kaapeliiliitin tiedonkeruuta ja ohjelmistopäivityksiä varten. Vahvistin säilyttää noin 20 000 tietopistettä anturia kohden.
Takuu	2 vuotta

<sup>1</sup> Laitteet, joilla on Underwriters Laboratoriesin (UL) sertifiointi, on tarkoitettu vain sisäkäyttöön eikä niillä ole NEMA 4X/IP66 -luokitusta.

## Yleistietoa

Valmistaja ei ole missään tapauksessa vastuussa suorista, epäsuorista, erityisistä, tuottamuksellisista tai välillisistä vahingoista, jotka johtuvat mistään tämän käyttöohjeen virheestä tai puutteesta. Valmistaja varaa oikeuden tehdä tähän käyttöohjeeseen ja kuvaamaan tuotteeseen muutoksia koska tahansa ilman eri ilmoitusta tai veloitteita. Päivitetyt käyttöohjeet ovat saatavana valmistajan verkkosivuilta.

## Turvallisuustietoa

### HUOMAUTUS

Valmistaja ei ole vastuussa mistään virheellisestä käytöstä aiheuvista vahingoista mukaan lukien rajoituksetta suorista, satunnaisista ja välillisistä vahingoista. Valmistaja sanoutuu irti tällaisista vahingoista soveltuvien lakien sallimissa rajoissa. Käyttäjä on yksin vastuussa sovellukseen liittyvien kriittisten riskien arvioinnista ja sellaisten asianmukaisten mekanismien asentamisesta, jotka suojaavat prosesseja laitteen toimintahäiriön aikana.

Lue nämä käyttöohjeet kokonaan ennen tämän laitteen pakkauksesta purkamista, asennusta tai käyttöä. Kiinnitä huomiota kaikkiin vaara- ja varotoimilausekkeisiin. Niiden laiminlyönti voi johtaa käyttäjän vakavaan vammaan tai laitteistovaurioon.

Jotta laitteen suojaus ei heikentyisi, sitä ei saa käyttää tai asentaa muuten kuin näissä ohjeissa kuvatulla tavalla.

### Vaaratilanteiden merkintä

#### ▲ VAARA

Ilmoittaa mahdollisesti vaarallisesta tai välittömän vaaran aiheuttavasta tilanteesta, joka aiheuttaa kuoleman tai vakavan vamman.

#### ▲ VAROITUS

Osoittaa potentiaalisesti tai uhkaavasti vaarallisen tilanteen, joka, jos sitä ei vältetä, voisi johtaa kuolemaan tai vakavaan vammaan.

#### ▲ VAROTOIMI






Ilmoittaa mahdollisesti vaarallisesta tilanteesta, joka voi aiheuttaa lievän tai kohtalaisen vamman.

### HUOMAUTUS



Ilmoittaa tilanteesta, joka saattaa aiheuttaa vahinkoa laitteelle. Tieto, joka vaatii erityistä huomiota.

### Varoitustarrat

Lue kaikki laitteen tarrat ja merkinnät. Henkilövamma tai laitevaurio on mahdollinen, jos ohjeet laiminlyödään. Laitteen symboliin viitataan käsikirjassa, ja siihen on liitetty varoitus.

	Tämä on turvahälytysymboli. Noudata tätä symbolia seuraavia turvavaroituksia, jotta välttyä mahdollisilta vammoilta. Jos tarra on laitteessa, laitteen käyttö- tai turvallisuustiedot on annettu sen käsikirjassa.
	Tämä symboli ilmoittaa sähköiskun ja/tai hengenvaarallisen sähköiskun vaarasta.
	Tämä symboli ilmoittaa, että laitteet ovat herkkiä sähköstaattisille purkauksille (ESD) ja että laitteita on varottava vahingoittamasta.
	Jos tuotteessa on tämä symboli, se merkitsee, että instrumentti on kytketty vaihtovirtaan.
	Sähkölaitteita, joissa on tämä symboli, ei saa hävittää yleisille tai kotitalousjätteille tarkoitetuissa eurooppalaisissa jätteiden hävitysjärjestelmissä. Vanhat tai käytöstä poistetut laitteet voi palauttaa maksutta valmistajalle hävittämistä varten.



	<p>Tällä symbolilla merkityt tuotteet sisältävät myrkyllisiä tai vaarallisia aineita tai ainesosia. Symbolin sisällä oleva luku merkitsee ympäristönsuojelullista käyttöaikaa vuosina.</p>
	<p>Tällä symbolilla merkityt tuotteet noudattavat vastaavan Etelä-Korean EMC-standardin tuotevaatimuksia.</p>

## Sertifiointi

### Canadian Radio Interference-Causing Equipment Regulation, IECS-003, luokka A:

Tarkemmat testitulokset ovat valmistajalla.

Tämä luokan A digitaalinen laite vastaa kaikkia Kanadan häiriöitä tuottavista laitteista annettujen säädösten vaatimuksia.

### FCC Osa 15, luokan "A" rajoitukset

Tarkemmat testitulokset ovat valmistajalla. Laite vastaa FCC-säädösten osaa 15. Laitteen toimintaa koskevat seuraavat ehdot:

1. Laite ei saa aiheuttaa haitallisia häiriöitä.
2. Laitteen on voitava vastaanottaa häiriöitä, mukaan lukien häiriöt, jotka voivat olla syynä epätoivottuun toimintaan.

Tähän laitteeseen tehdyt, muut kuin yhteensopivuudesta vastaavan osapuolen hyväksymät muutokset tai muokkaukset saattavat johtaa käyttäjän menettämään oikeutensa käyttää tätä laitetta. Tämä laite on testattu ja sen on todettu olevan luokan A digitaalinen laite, joka vastaa FCC-säädösten osaa 15. Nämä rajoitukset on laadittu antamaan kohtuullinen suoja haitallisilta häiriöiltä, kun laitetta käytetään kaupallisessa ympäristössä. Tämä laite kehittää, käyttää ja saattaa säteillä radiotaajuusenergiaa, ja näiden ohjeiden vastaisesti asennettuna tai käytettynä se saattaa aiheuttaa haitallisia häiriöitä radioliikenteeseen. Tämän laitteen käyttö asuinalueella aiheuttaa todennäköisesti haitallisia häiriöitä, missä tapauksessa käyttäjän on korjattava tilanne omalla kustannuksellaan. Häiriöitä voidaan vähentää seuraavilla tavoilla:

1. Irrota laite sähköverkosta varmistaaksesi, onko laite häiriöiden syy.
2. Jos laite on kytketty samaan pistorasiaan kuin häiriöitä vastaanottava laite, kytke tämä laite toiseen pistorasiaan.
3. Siirrä laite kauemmas häiriötä vastaanottavasta laitteesta.
4. Sijoita häiriötä vastaanottavan laitteen antenni toiseen paikkaan.
5. Kokeile edellä annettujen ohjeiden yhdistelmiä.

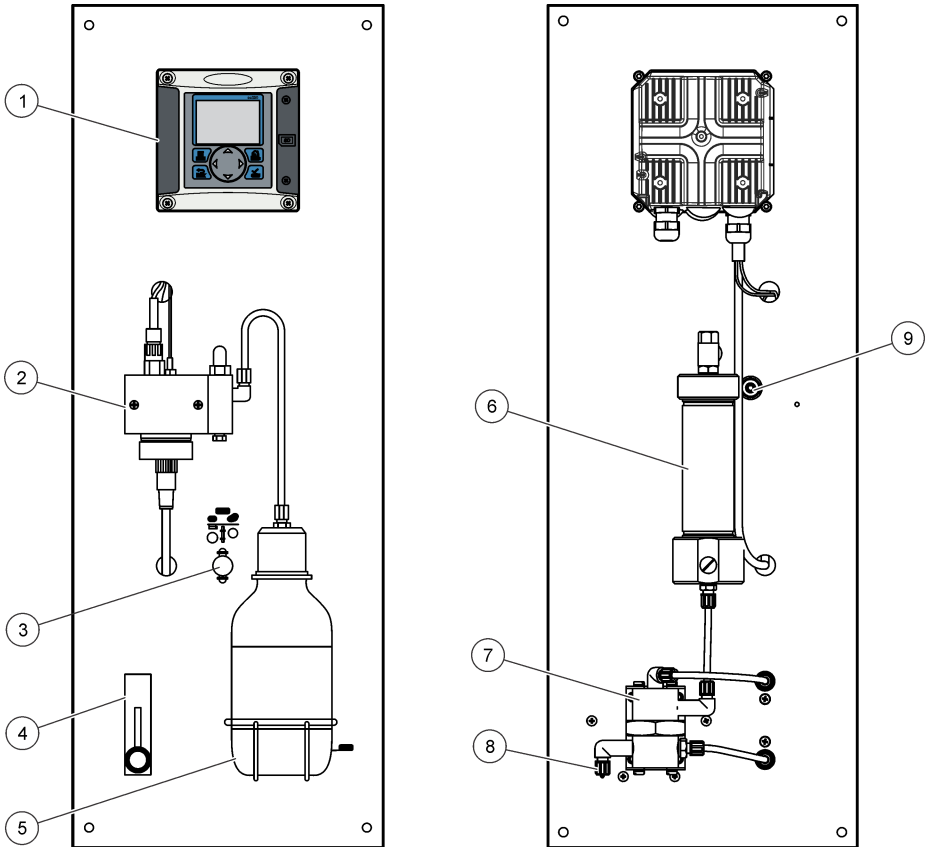
## Tuotteen osat

Varmista, että laitteen mukana on toimitettu kaikki tarvittavat osat. Jos joku tarvikkeista puuttuu tai on viallinen, ota välittömästi yhteys valmistajaan tai toimittajaan.

## Tuotteen yleiskuvaus

Analysaattori on suunniteltu mittaamaan jatkuvasti hapensitojen (hydratsiin tai karbohydratsidin) määrää vedessä.

Kuva 1 Näkymä edestä ja takaa



1 Ohjain	6 Kemiallisen nollakalibroinnin patruuna (valinnainen)
2 Mittauskenno	7 Paineensäädin
3 Kemiallinen nollakalibrointi on/off (päällä/pois) (valinnainen)	8 Näytteen syöttö, 4/6 mm:n putki
4 Virtausmittari	9 Näytteen poisto, 6/8 mm:n putki, ilmanpaine
5 Näytteen käsittelypullo (DIPA)	

## Asentaminen

### ▲ VAROTOIMI



Useita vaaroja. Vain ammattitaitoinen henkilö saa suorittaa käyttöohjeen tässä osassa kuvatut tehtävät.

## Analysaattorin kiinnittäminen

### ▲ VAROTOIMI

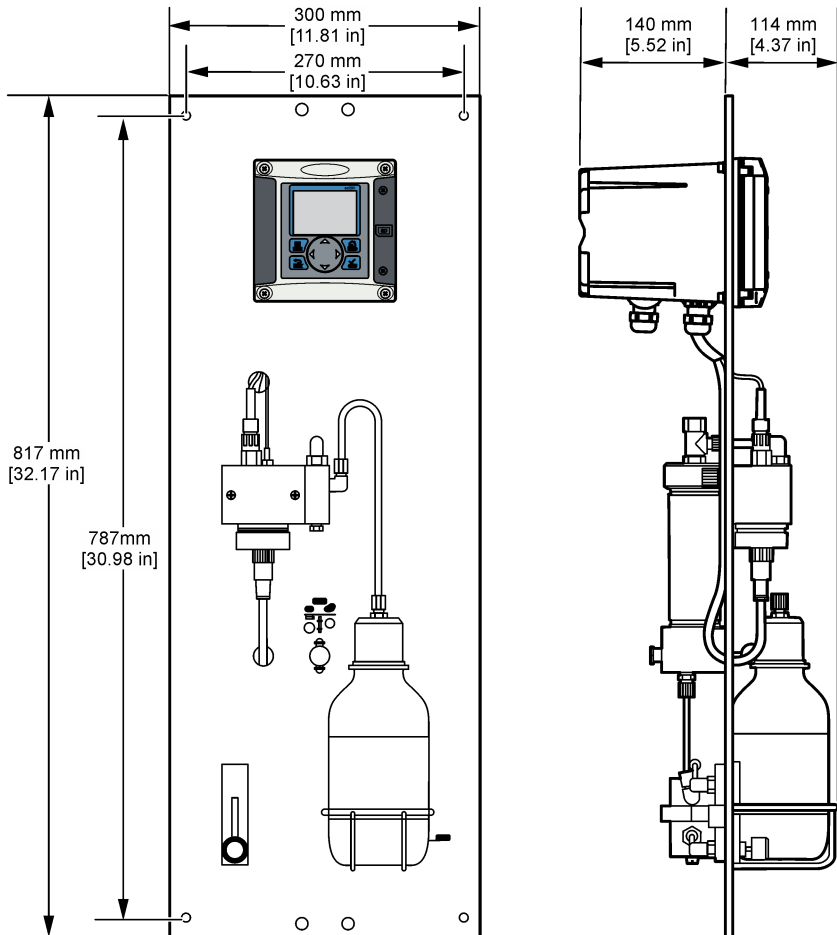
Henkilövahinkojen vaara. Laitteet tai komponentit ovat raskaita. Älä asenna tai siirrä niitä yksin. Varmista, että seinäkiinnitys kannattaa laitteen painon nelinkertaisesti.

### HUOMAUTUS

Analysaattorin on oltava pystysuorassa tarkkuuden varmistamiseksi.

Kiinnitä analysaattori vakaalle pystypinnalle. Varmista vesivaa'alla, että analysaattori on täysin pystysuorassa. Lue seuraavat ohjeet.

- Sijoita laite paikkaan, jossa sitä voi käyttää, huoltaa ja kalibroida helposti.
- Varmista, että näyttö ja ohjaimet ovat hyvin näkyvissä.
- Pidä laite kaukana lämmönlähteistä.
- Älä altista laitetta tärinälle.
- Pidä näyteputki mahdollisimman lyhyenä vasteajan minimoimiseksi.
- Varmista, että näytteen syöttöputkessa ei ole ilmaa.



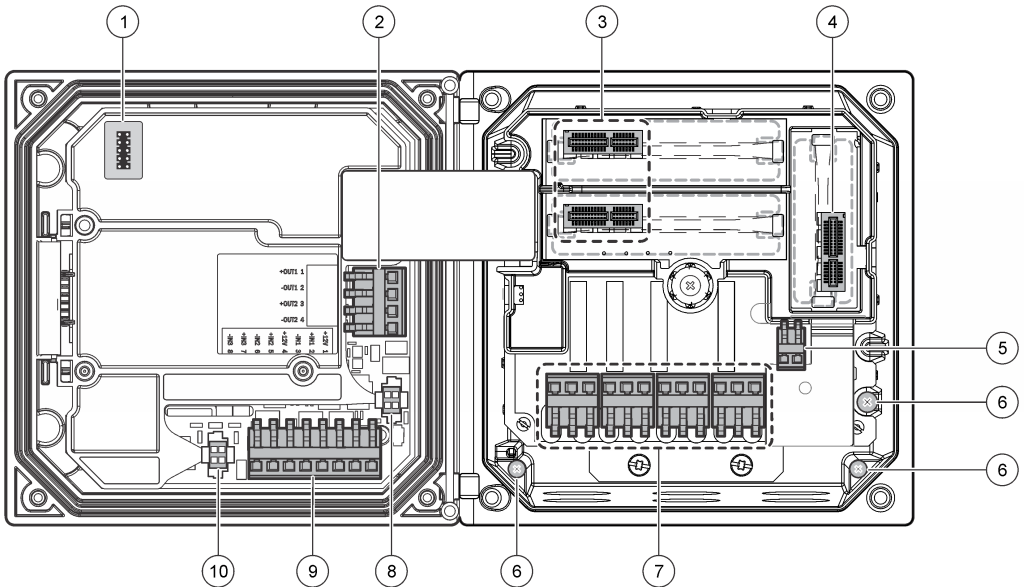
## Johdotuksen yleiskuvaus

**Kuva 2:** johdotusliittäntöjen yleiskuvaus ohjaimen sisällä korkeajännitevastus poistettuna.

Vasemmalla puolella on kuvattu ohjaimen kannen takaosa.

**Huomautus:** Poista liittimien tulpat ennen moduulin asentamista.

**Kuva 2 Johdotusliittäntöjen yleiskuvaus**



1 Huoltokaapeliiliitäntä	5 AC- ja DC-liitin <sup>2</sup>	9 Erilliset tulojohdotuksen liittännät <sup>2</sup>
2 4...20 mA:n lähtö <sup>2</sup>	6 Maadoitusliittimet	10 Digitaalianturin liitin <sup>2</sup>
3 Anturimoduulin liitin	7 Releiliitäntä <sup>2</sup>	
4 Tiedonsiirtomoduulin liitin (esimerkiksi Modbus, Profibus, HART tai valinnainen 4...20 mA:n moduuli)	8 Digitaalianturin liitin <sup>2</sup>	

### Korkeajännitevastus

Laitteen korkeajännitejohdotus sijaitsee korkeajännitevastuksen takana laitteen kotelossa. Vastus on jätettävä paikalleen paitsi asennettaessa moduuleita tai valtuutetun sähkömiehen tehdessä johdotuksia verkkovirtaa, hälytyksiä, lähtöjä tai releitä varten. Älä poista vastusta, kun ohjain saa virtaa.

### Teholähteen johdotus

#### ⚠ VAROITUS



Sähköiskun vaara. Kytke aina laite irti verkkovirrasta ennen sähköliittäntöjen tekemistä.

<sup>2</sup> Liittimet voidaan tarvittaessa irrottaa.

## ⚠ VAROITUS



Sähköiskun vaara. Jos laitetta käytetään ulkona tai mahdollisesti määrässä paikassa, on käytössä oltava **vikavirtakytkin** laitteen ja virtalähteen välissä.

## ⚠ VAARA



Tappavan sähköiskun vaara. Älä kytke vaihtovirtaa 24 voltin tasavirtaa käyttävään malliin.

## ⚠ VAROITUS



Sähköiskun vaara. Sekä 100-240 VAC että 24 VDC -versiot edellyttävät suojamaadoituskytkentää. Riittävän suojamaadoituksen puuttuminen voi johtaa sähköiskun vaaraan ja laitteen sähkömagneettisten häiriöiden aiheuttamaan suorituskyvyn heikkenemiseen. Ohjausliitin on AINA varustettava riittävällä suojamaadoituksella.

## HUOMAUTUS

Sijoita laite paikkaan, josta käsin laitetta on helppo käyttää ja kytkeä se pois päältä.

Ohjaimia on saatavilla joko 100 - 240 VAC:n tai 24 VDC:n malleina. Noudata ostamasi laitteen mukaisia johdotusohjeita.

Ohjain voidaan kytkeä verkkovirtaan johdottamalla se kiinteän putkijohdon tai virtajohdon avulla. Liitännät tehdään kuitenkin samoihin liittimiin käytetystä johtotyypistä huolimatta. Kaikki asennukset edellyttävät paikallisten sähköturvallisuusmääräysten noudattamista, ja ne on merkittävä asianmukaisesti. Käytettäessä kiinteää asennusta virran ja turvamaan laskun on oltava 18 - 12 AWG. Varmista, että kenttäjohdotuksen eristys on luokiteltu vähintään 80 °C:een (176 °F).

### Huomautukset:

- Jännitevastus on poistettava ennen sähköliitännöiden tekemistä. Kun kaikki liitännät on tehty, aseta jännitevastus takaisin, ennen kuin suljet ohjaimen kannen.
- NEMA 4X/IP66-ympäristöluokitus voidaan säilyttää käyttämällä tiivistävää vedonpoistinta ja alle 3 metrin (10 jalan) pituisia virtajohtoja, jossa on kolme 18-koon johdinta (mukaan lukien turvamaajohto).
- Ohjaimiin on saatavana tilauksesta esiasennetut AC-virtajohdot. Tilauksesta on saatavana myös lisävirtajohtoja.
- 24 VDC:n ohjaimen virtaa tuottavan DC-virtalähteen on ylläpidettävä jännitteen säätö määritettyjen jänniterajojen (24 VDC -15 % +20 %) sisäpuolella. Lisäksi DC-virtalähteen on tarjottava riittävä suojaus ylikuormituksia ja transienteja vastaan.

### Johdotus

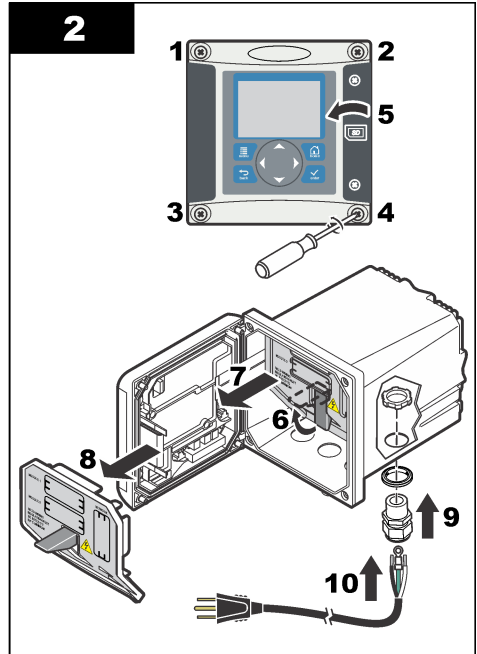
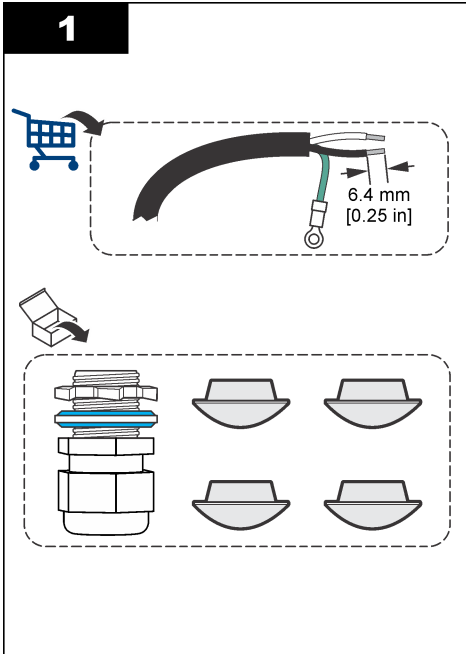
Katso vahvistimen virtajohtojen asentamista koskevat lisätiedot seuraavista kuvista sekä kohdista [Taulukko 1](#) tai [Taulukko 2](#). Asenna kukin johto asianmukaiseen liittimeen, kunnes eristys tulee liitintä vasten eikä paljasta johtoa ole näkyvissä. Varmista kytkennän turvallisuus vetämällä johdosta kevyesti. Tiivistä kaikki käyttämättä jääneet ohjauskeskuksen aukot kanavan tiivistetulpilla.

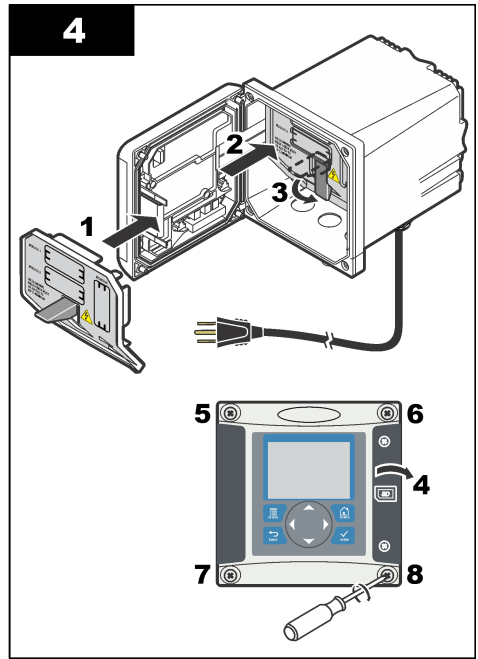
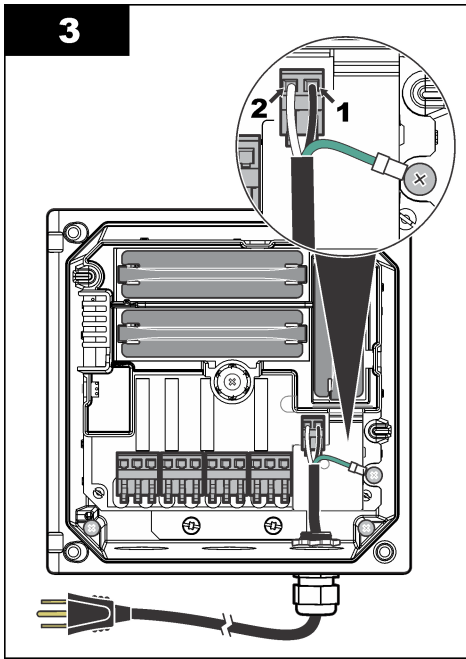
**Taulukko 1 AC-virtajohdotus (vain AC-mallit)**

Liitin	Kuvaus	Väri – Pohjois-Amerikka	Väri—EU
1	Kuuma (L1)	Musta	Ruskea
2	Nolla (N)	Valkoinen	Sininen
—	Suojamaadoituskiinnike (PE)	Vihreä	Vihreä, jossa keltainen raita

**Taulukko 2 DC-virtajohdotus (vain DC-mallit)**

Liitin	Kuvaus	Väri – Pohjois-Amerikka	Väri—EU
1	+24 VDC	Punainen	Punainen
2	24 VDC paluu	Musta	Musta
—	Suojamaadoituskiinnike (PE)	Vihreä	Vihreä, jossa keltainen raita









### Häilytykset ja releet

Ohjaimessa on neljä virratonta, yksinapaista relettä, joiden luokitus on 100 - 250 VAC, 50/60 Hz ja 5 A (maksimivastus). Vaihtovirralla toimivien ohjainten liittimien luokituksena on 250 VAC ja 5 A (maksimivastus), ja tasavirralla toimivien ohjainten liittimien luokitus 24 VDC ja 5 A (maksimivastus). Releitä ei ole luokiteltu induktiivisia kuormia varten.

### Releiden johdotus

<b>⚠ VAROITUS</b>	
	Sähköiskun vaara. Kytke aina laite irti verkkovirrasta ennen sähköliitännöjen tekemistä.
<b>⚠ VAROITUS</b>	
	Tulipalon vaara. Relekoskettimien luokitus on 5A, eikä niitä ole varustettu varokkeilla. Releisiin kytkettävissä ulkoisissa kuormissa on oltava virranrajoitin, jolla virta rajoitetaan arvoon <5 A.
<b>⚠ VAROITUS</b>	
	Tulipalon vaara. Älä ketjuta tavallisia releliitännöjä tai hyppyyjohdinta syöttövirtaliitännästä mittauslaitteen sisäpuolella.
<b>⚠ VAROITUS</b>	
	Sähköiskun vaara. Jotta kotelon NEMA/IP-ympäristöluokitus säilyisi, kytke kaapelit laitteeseen käyttämällä ainoastaan putkijohtoliittimiä ja kaapeliholkkeja, joissa on vähintään NEMA 4X/IP66-luokitus.

### AC-ohjaimet (100 - 250 V)

## ⚠ VAROITUS



Sähköiskun vaara. Vaihtovirtakäyttöiset ohjaimet (115— 230 V) on tarkoitettu vaihtovirtapiirin releliitäntöille (yli 16 V-RMS:n jännitteet, 22,6 V:n huippu tai 35 VDC).

Johdotuskotelo ei ole tarkoitettu yli 250 VAC:n jännitteelle.

### 24 VDC:n ohjaimet

## ⚠ VAROITUS



Sähköiskun vaara. 24 V:n ohjaimet on tarkoitettu pienjännitepiirin releliitäntöille (alle 16 V-RMS:n jännitteet, 22,6 V:n huippu tai 35 VDC).

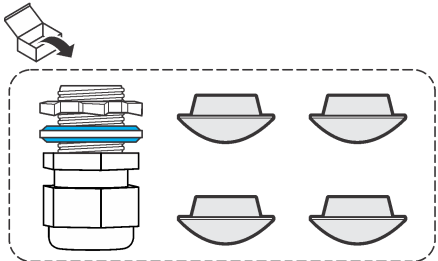
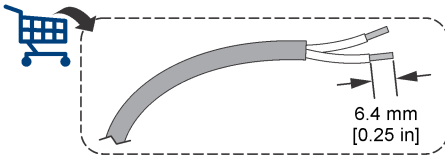
24 VDC:n vahvistimen releet on tarkoitettu pienjännitepiireihin (alle 30 V-RMS:n jännitteet, 42,2 V:n huippu tai 60 VDC). Johdotuskotelo ei ole tarkoitettu näitä tasoja korkeammille jänniteliitäntöille.

Releen kytkentään käytetään 18 – 12 AWG johtoa (kuorman mukaan määräytyen). Emme suosittele alle 18 AWG:n johtoja. Varmista, että kenttäjohdotuksen eristys on luokiteltu vähintään 80 °C:een (176 °F).

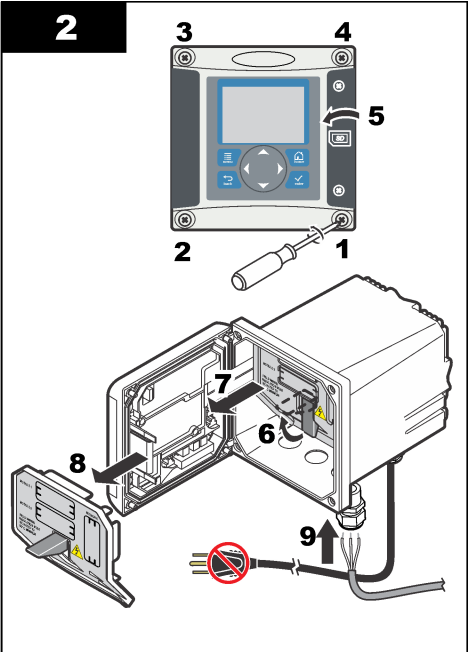
NO (Normally Open) ja COM (Common) -relekoskettimet liitetään, kun hälytys tai muu tila on aktiivinen. NC (Normally Closed) ja Common -relekoskettimet liitetään, kun hälytys tai muu tila ei ole aktiivinen (paitsi jos Fail Safe -varmistustilan asetuksena on Yes (Kyllä)) tai kun ohjaimen virta katkaistaan.

Useimmat releliitännät käyttävät joko NO- ja COM-liittimiä tai NC- ja COM-liittimiä. NO- ja COM-liittimien liitintä on kuvattu numeroiduissa vaiheissa.

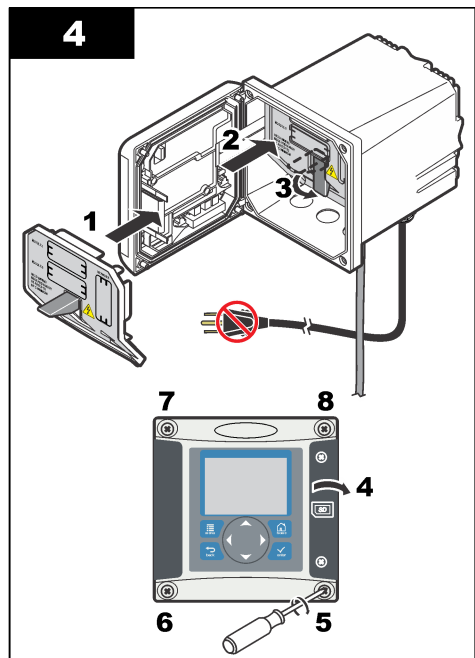
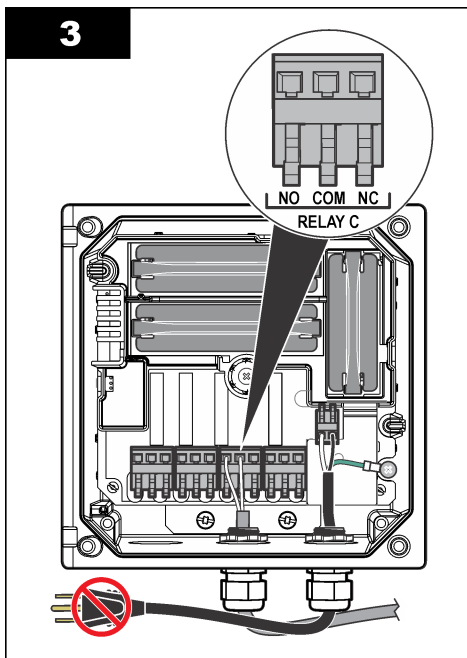
1



2







### Analogiset lähtöliitännät

#### ⚠ VAROITUS



Sähköiskun vaara. Kytke aina laite irti verkkovirrasta ennen sähköliitännöjen tekemistä.

#### ⚠ VAROITUS



Sähköiskun vaara. Jotta kotelon NEMA/IP-ympäristöluokitus säilyisi, kytke kaapelit laitteeseen käyttämällä ainoastaan putkijohtoliittimiä ja kaapeliholkkeja, joissa on vähintään NEMA 4X/IP66-luokitus.

Laitteessa on kaksi eristettyä analogista lähtöliitännää (1 ja 2) (Kuva 3). Näitä lähtöliitännöjä käytetään yleensä analogiseen signaaliin tai muiden ulkoisten laitteiden ohjaamiseen.

Kytke johtoliitännät ohjaimeen, ks. Kuva 3 ja Taulukko 3.

**Huomautus:** Kuva 3: kuvassa näkyy ohjaimen takaosa, ei pääohjaimen sisäpuoli.

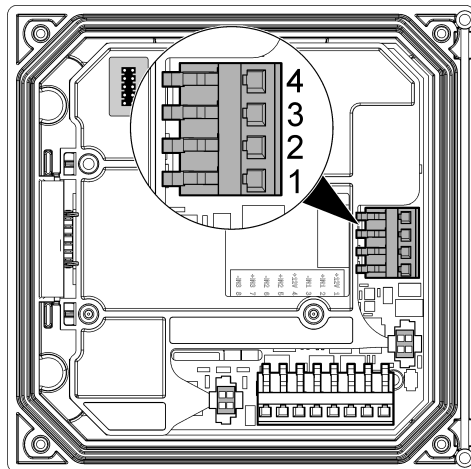
**Taulukko 3** Lähtöliitännät

Tallentimen johdot	Piirilevyn asento
Lähtö 2-	4
Lähtö 2+	3
Lähtö 1-	2
Lähtö 1+	1

1. Avaa ohjaimen suojus.
2. Vie johdot vedonpoistimen läpi.
3. Säädä johdot tarvittaessa ja kiristä vedonpoistin.

4. Tee liitännät käyttämällä parikaapelin suojattua johtoa ja kytke suoja valvotun komponentin päähän tai virtasilmukan päähän.
  - Älä kytke suojaa kaapelin molempiin päihin.
  - Suojaamattoman kaapelin käyttäminen voi aiheuttaa radiotaajuussäteilyä tai sallittua suuremman herkkyytason.
  - Suurin sallittu silmukavastus on 500 ohmia.
5. Sulje ohjaimen kansi ja kiristä kannen ruuvit.
6. Määritä ohjaimen lähdöt.

**Kuva 3 Analogiset lähtöliitännät**



### **Valinnaisen digitaalisen tiedonsiirtolähdön kytkeminen**

Laite tukee Modbus RS485-, Modbus RS232-, Profibus DPV1- ja HART-tiedonsiirtoprotokollia. Valinnaisen digitaalisen lähtömoduulin asennuspaikka on kuvattu kohdassa 4 [Kuva 2](#) sivulla 252. Lisätietoja on verkkomoduulin mukana toimitetuissa ohjeissa.

### **Näytteenotto- ja poistoletkujen kytkeminen**

Kytke näyte- ja poistoputket paneelin taustan liitoksiin.

1. Kytke näyteputki syötön 4/6 mm:n OD-putkiliitokseen.
2. Kytke poistoputki poiston 6/8 mm:n OD-putkiliitokseen. Pidä poistoputki mahdollisimman lyhyenä ilmäkehän paineessa.

## Asenna reagenssit

### ▲ VAROITUS



Kemikaalille altistumisen vaara. Noudata laboratorion turvallisuusohjeita ja käytä käsiteltäville kemikaaleille soveltuvia suojavarusteita. Lue turvallisuusprotokollat ajan tasalla olevista käyttöturvatiedoista (MSDS/SDS).

1. Täytä tyhjä näytteen käsittelypullo di-isopropyylimiamiinilla ja kirjoita vaarallisia reagenssin tietoapullon kylkeen liimattuun tyhjään tarraan.
2. Asenna näytteen käsittelypullo analysaattorin etupuolelle.
3. Kytke mukana toimitettu putki mittauskennoon. Aseta putki kokonaan käsittelyainepulloon. Varmista, että putken kiinnikkeet ovat tiukasti kiinni, jotta käsittelypullosta ei pääse vuotamaan höyryjä ympäristöön.
4. Jos käytössä on kemiallisen nollakalibroinnin patruuna, asenna se analysaattorin takaosaan.

## Käynnistys

Varmista, että virtausnopeus ja paine eivät ylitä kohdassa [Tekniset tiedot](#) sivulla 246 määritettyjä arvoja.

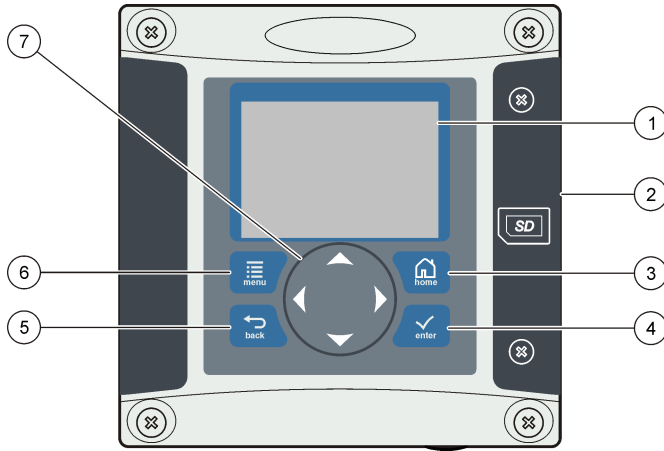
1. Avaa näyteputken venttiili, jotta näyte pääsee virtaamaan analysaattorin läpi.
2. Kiertämällä virtausmittarin säädintä voit määrittää virtausnopeuden.
3. Tutki letkujen kytkentä vuotojen varalta ja tuki löytyneet vuodot.
4. Johda vahvistimeen virta.
5. Tee tarvittavat valikkovalinnat vahvistimen käynnistyessä.

## Käyttöliittymä ja selaaminen

### Käyttöliittymä

Näppäimistöässä on neljä valikkopainiketta ja neljä nuolipainiketta ([Kuva 4](#)).

**Kuva 4 Näppäimistö ja etupaneeli**



1 Laitenäyttö	5 <b>BACK</b> -näppäin. Siirtyminen takaisin valikkorakenteessa yhden tason verran.
2 Secure Digital -muistikorttipaikan kansi	6 <b>MENU</b> -näppäin. Siirtyminen Settings (Asetukset) -valikkoon muista näytöistä ja alivalikoista.
3 <b>HOME</b> -näppäin. Siirtyminen päämittausnäyttöön muista näytöistä ja alivalikoista.	7 Nuolinäppäimet. Navigoiminen valikoissa, asetusten muuttaminen ja lukujen suurentaminen tai pienentäminen.
4 <b>ENTER</b> -näppäin. Tuloarvojen, päivitysten tai näytettävien valikkoasetusten hyväksyminen.	

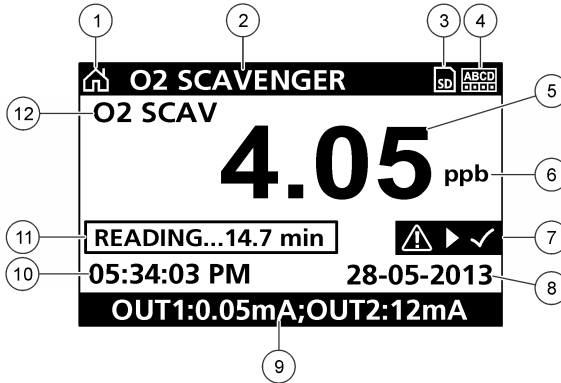
Tulojen ja lähtöjen asetukset määritetään etupaneelista näppäimistön ja näytön avulla. Käyttöliittymää käytetään tulo- ja lähtöasetusten määrittämiseen, lokitietojen luomiseen, arvojen laskemiseen ja anturien kalibroimiseen. SD-käyttöliittymää voidaan käyttää lokien tallentamiseen ja ohjelmiston päivittämiseen.

## Näyttö

[Kuva 5](#): esimerkki päämittausnäytöstä ja vahvistimeen liitetyistä anturista.

Etupaneelin näytössä näkyvät anturin mittaustiedot, kalibrointi- ja konfigurointiasetukset, virheet, varoitukset ja muut tärkeät tiedot.

## Kuva 5 Esimerkki päämittausnäytöstä



1 Aloitusnäytön kuvake	7 Varoitusilarivi
2 Anturin nimi	8 Päivämäärä
3 SD-muistikortin kuvake	9 Analogiset lähtöarvot
4 Releen tila-ilmais	10 Kellonaika
5 Mittausarvo	11 Etenemispalkki
6 Mittausyksikkö	12 Mittausparametri

Taulukko 4 Kuvakkeiden kuvaukset

Kuvake	Kuvaus
Aloitusnäyttö	Tämä kuvake voi vaihdella näytön tai valikon mukaan. Jos laitteessa on esimerkiksi SD-muistikortti, sen kuvake näkyy tässä näytössä käyttäjän ollessa SD Card Setup (SD-kortin asetukset) -valikossa.
SD-muistikortti	Tämä kuvake näkyy vain, jos kortinlukijassa on SD-kortti. Kuvake näkyy vasemmassa yläkulmassa, kun käyttäjä on SD Card Setup (SD-kortin asetukset) -valikossa.
Varoitus	Varoituskuvakkeessa on kolmion sisällä oleva huutomerkki. Varoituskuvake tulee näkyviin päänäytön oikealle puolelle mittausarvon alle. Paina <b>ENTER</b> -näppäintä ja valitse sitten laite nähdäksesi laitteessa mahdollisesti olevat ongelmat. Varoituskuvake poistuu näkyvistä heti, kun kaikki ongelmat on korjattu tai kuitattu.
Virhe	Virhekuvakkeessa on ympyrän sisällä oleva huutomerkki. Kun ilmenee virhe, virhekuvake ja mittausnäyttö vilkkuvat vuorotellen päänäytössä. Näytä virheet painamalla <b>MENU</b> (Valikko) -painiketta ja valitse <b>Diagnostics</b> (Vianmääritys). Valitse sitten laite nähdäksesi laitteessa mahdollisesti olevat ongelmat.

## Lisänäyttömuodot

- Voit vaihtaa mittauksen parametreja painamalla päämittausnäytössä **YLÄ**- ja **ALA**-nuolinäppäimiä.
- Paina päämittausnäytössä **OIKEAA** nuolinäppäintä, jos haluat jakaa näytön enintään neljälle mittausparametrille. Painamalla **OIKEAA** nuolinäppäintä voit lisätä mittauksia. Painamalla **VASENTA** nuolinäppäintä voit tarvittaessa siirtyä päämittausnäyttöön.
- Paina päämittausnäytössä **VASENTA** nuolinäppäintä, jos haluat siirtyä graafiseen näyttöön (lisätietoja parametrien määrittämisestä on kohdassa **Graafinen näyttö** sivulla 261). Painamalla **YLÄ**- ja **ALA**-nuolinäppäimiä voit vaihtaa mittauskuvaajaa.

## Graafinen näyttö

Grafiikka näyttää käytettyjen kanavien konsentraation ja lämpötilan mittaukset. Grafiikka mahdollistaa kehityssuuntien helpon valvonnan ja se näyttää muutokset prosessissa.

1. Valitse kuvaaja graafisessa näytössä ylä- ja alanuolinäppäimillä ja paina **HOME** (Aloituspainike) -näppäintä.
2. Valitse vaihtoehto:

Vaihtoehto	Kuvaus
<b>MEASUREMENT VALUE (MITTAUSARVO)</b>	Aseta valitulle kanavalle mittausrasva. Valitse joko Auto Scale (Automaattinen asteikko) tai Manually Scale (Manuaalinen asteikko). Anna manuaalisessa skaalauksessa minimi- ja maksimimittausrasvat
<b>DATE &amp; TIME RANGE (PÄIVÄMÄÄRÄ- JA AIKA-ALUE)</b>	Valitse päivämäärä- ja aika-alue käytettävissä olevista valinnoista

## Käyttö

### Anturin konfiguroiminen

Syötä CONFIGURE (MÄÄRITÄ) -valikossa anturille yksilöimistiedot ja muuta tietojen käsittely- ja tallennusvalintoja.

1. Paina **valikko**-näppäintä, ja valitse SENSOR SETUP (ANTURIASETUKSET) > CONFIGURE (KONFIGUROI).
2. Valitse nuolinäppäimillä valinta ja paina **enter**-näppäintä. Voit syöttää numeroita, merkkejä ja välimerkkejä pitämällä **ylös**- tai **alas** -nuolinäppäintä painettuna. Paina **oikealle**-nuolinäppäintä siirtyäksesi seuraavaan tilaan.

Vaihtoehto	Kuvaus
<b>EDIT NAME (MUOKKAA NIMEÄ)</b>	Muuttaa mittaustietojen yläalueella olevan anturin nimeä. Nimen enimmäispituus on 16 merkkiä, ja siinä voi käyttää mitä tahansa kirjainten, numeroiden, välilyöntien ja välimerkkien yhdistelmää.
<b>SENSOR S/N (ANTURIN SARJANUMERO)</b>	Käyttäjä voi syöttää anturin sarjanumeron, joka on enintään 16 merkkiä, ja siinä voi käyttää mitä tahansa kirjainten, numeroiden, välilyöntien ja välimerkkien yhdistelmää.
<b>MEAS UNITS (YKSIKÖT)</b>	Vaihtaa mittayksiköiden välillä - valitse yksikkö käytettävissä olevien luettelosta.
<b>TEMP UNITS (LÄMPÖTILAYKSIKÖ)</b>	Asettaa lämpötilan yksiköksi °C (oletusrasva) tai °F
<b>FILTER (ASETA SUODATIN)</b>	Määrittää aikavakion signaalin stabiilisuuden parantamiseksi. Aikavakio laskee keskiarvon tietyltä aikaväliltä — väliltä 0 (ei vaikutusta, oletusrasva) ja 60 sekuntia (signaaliarvon keskiarvo 60 sekunnin aikana). Suodatin pidentää aikaa, joka vaaditaan siihen, että anturin signaali reagoi muutoksiin prosessissa.
<b>LOG SETUP (LOG-ASETUS)</b>	Määrittää, miten usein tiedot tallennetaan lokkeihin — 5, 30 sekuntia, 1, 2, 5, 10, 15 (oletusrasva), 30, 60 minuuttia.
<b>RESET DEFAULTS (PALAUTA OLETUSARVOT)</b>	Palauttaa konfiguraatiovalikon oletusasetuksiin. Kaikki anturitiedot menetetään.

## Kalibrointi

### Anturin kalibroinnista

Anturin ominaisuudet muuttuvat hitaasti ajan mittaan, mikä voi tehdä anturista epätarkan. Anturi on kalibroitava säännöllisesti, jotta se säilyttäisi tarkkuutensa. Kalibrointitaajuus riippuu käytöstä, ja se on paras määrittää kokemuspohjaisesti.

## Lämpötilakalibrointi

Lämpötila-anturi suositellaan kalibroitavan kerran vuodessa. Kalibroi lämpötila-anturi ennen mittausanturin kalibroimista.

1. Mittaa veden lämpötila tarkalla lämpömittarilla tai erillisellä laitteella.
2. Paina **valikko**-näppäintä ja valitse SENSOR SETUP (ANTURIASETUKSET) > CALIBRATE (KALIBROI).
3. Jos ohjaimen salasana on otettu käyttöön suojausvalikossa, anna salasana.
4. Valitse 1 PT TEMP CAL (YKSIPISTEVÄL.AIK. KALIBROINTI) ja paina **enter**-näppäintä.
5. Raakalämpötila-arvo tulee näkyviin. Paina **enter**-näppäintä.
6. Syötä oikea arvo, jos se on eri kuin näytetty, ja paina **enter**-näppäintä.
7. Vahvista kalibrointi painamalla **enter**-näppäintä. Lämpötilapoikkeama tulee näkyviin.

## Nollakalibrointi

Nolla-arvo on tehdaskalibroitu. Määritä nollakalibrointitoimenpiteellä anturin ainutkertainen nollapiste.

1. Jos näytepitoisuus on < 10 ppb, parhaan tuloksen saamiseksi suositellaan käyttämään valinnaista nollakalibroinnin patruunaa (katso [Varaosat ja varusteet](#) sivulla 266) ja jättämään anturi paikoilleen. Irrota muussa tapauksessa anturi prosessista ja huuhtelee tislattulla vedellä.
2. Paina **valikko** -näppäintä ja valitse SENSOR SETUP (ANTURIASETUKSET) > CALIBRATE (KALIBROI).
3. Jos ohjaimen salasana on otettu käyttöön suojausvalikossa, anna salasana.
4. Valitse ZERO CAL (NOLLA KALIBROINTI) ja paina **enter**-näppäintä.
5. Valitse kalibroinnin lähtösignaalivaihtoehto:

Vaihtoehto	Kuvaus
<b>ACTIVE (AKTIIVINEN)</b>	Laitte lähettää kalibroinnin aikana nykyisen mitatun lähtöarvon.
<b>HOLD (PITO)</b>	Anturin lähtöarvo pidetään kalibroinnin ajan sen hetkessä mittausarvossa.
<b>TRANSFER (SIIRTO)</b>	Kalibroinnin aikana lähetetään sen hetkinen lähtöarvo. Esiasetetun arvon vaihtaminen kuvataan lähettimen käyttöohjeissa.

6. Jollei valinnaista nollakalibroinnin patruunaa käytetä, aseta puhdas anturi hydratsiinivapaaseen liuokseen, esimerkiksi puhtaaseen veteen, ja paina **enter**-näppäintä.
7. Odota enintään yksi tunti, jotta arvo tasaantuu, ja paina **enter**-näppäintä.
8. Tarkista kalibrointitulokset:
  - PASS (LÄPÄISEE) — Anturi on kalibroitu ja poikkeama näytetään.
  - FAIL (EPÄONNISTUI) - kalibrointi on hyväksyttävien rajojen ulkopuolella. Puhdista anturi ja yritä uudelleen. Lisätietoa saa kohdasta [Vianmääritys](#) sivulla 265.
9. Jos kalibrointi onnistui, jatka painamalla **enter**-näppäintä
10. Jos käyttäjätunnuksen valinnaksi on asetettu YES (Kyllä) CAL OPTIONS (KALIBROINTIVALINNAT) -valikossa, anna käyttäjätunnus. Katso kohta [Kalibrointiasetusten muuttaminen](#) sivulla 264.
11. Valitse NEW SENSOR (UUSI ANTURI) -näytössä onko anturi uusi:

Vaihtoehto	Kuvaus
<b>YES (KYLLÄ)</b>	Anturia ei ole kalibroitu aikaisemmin tällä ohjaimella. Anturin käyttöpäivät ja aikaisemmat kalibrointikäyrät nollataan.
<b>NO (EI)</b>	Anturi on kalibroitu aikaisemmin tällä ohjaimella.

12. Jollei valinnaista nollakalibroinnin patruunaa käytetä, laita anturi takaisin prosessiin, ja paina **enter**-näppäintä. Lähtösignaali palaa aktiiviseen tilaan ja mittausnäytössä esitetään mitattu näytearvo.

*Huomautus:* Jos lähtötilaksi on valittu pito tai siirto, valitse, kuinka pian lähtö palaa aktiiviin tilaan.

## Kalibrointi prosessinäytteellä

Anturi voi olla prosessinäytteessä.

1. Paina **valikko** -näppäintä ja valitse SENSOR SETUP (ANTURIASETUKSET) > CALIBRATE (KALIBROI).
2. Jos ohjaimen salasana on otettu käyttöön suojausvalikossa, anna salasana.
3. Valitse SAMPLE CAL (NÄYTEKALIBROINTI) ja paina **enter**-näppäintä.
4. Valitse kalibroinnin lähtösignaalivaihtoehto:

Vaihtoehto	Kuvaus
<b>ACTIVE (AKTIIVINEN)</b>	Laite lähettää kalibroinnin aikana nykyisen mitatun lähtöarvon.
<b>HOLD (PITO)</b>	Anturin lähtöarvo pidetään kalibroinnin ajan sen hetkisessä mittausarvossa.
<b>TRANSFER (SIIRTO)</b>	Kalibroinnin aikana lähetetään sen hetkinen lähtöarvo. Esiasetetun arvon vaihtaminen kuvataan lähettimen käyttöohjeissa.

5. Kun anturi on prosessinäytteessä, paina **enter**-näppäintä. Laite esittää mittausarvon. Odota arvon vakiintumista ja paina **enter**-näppäintä.
6. Mittaa toissijaisella sertifioidulla vahvistusinstrumentilla näytteen konsentraatioarvo. Jotta vältetään epäpuhtaudet näytteessä, tee mittaus ennen kuin näyte siirtyy virtauskammioon. Syötä tämä arvo nuolinäppäimillä, jos se eroaa näytetystä arvosta ja paina **enter**-näppäintä.
7. Tarkista kalibrointitulokset:
  - PASS (LÄPÄISEE) — Anturi on kalibroitu ja kalibrointikerroin näytetään.
  - FAIL (EPÄONNISTUI) - kalibrointi on hyväksyttävien rajojen ulkopuolella. Puhdista anturi ja yritä uudelleen. Lisätietoa saa kohdasta [Vianmääritys](#) sivulla 265.
8. Jos kalibrointi onnistui, jatka painamalla **enter**-näppäintä
9. Jos käyttäjätunnuksen valinnaksi on asetettu YES (Kyllä) CAL OPTIONS (KALIBROINTIVALINNAT) -valikossa, anna käyttäjätunnus. Katso kohta [Kalibrointiasetusten muuttaminen](#) sivulla 264.
10. Valitse NEW SENSOR (UUSI ANTURI) -näytössä onko anturi uusi:

Vaihtoehto	Kuvaus
<b>YES (KYLLÄ)</b>	Anturia ei ole kalibroitu aikaisemmin tällä ohjaimella. Anturin käyttöpäivät ja aikaisemmat kalibrointikäyrät nollataan.
<b>NO (EI)</b>	Anturi on kalibroitu aikaisemmin tällä ohjaimella.

11. Kun anturi on vielä prosessinäytteessä, paina **enter**-näppäintä. Lähtösignaali palaa aktiiviseen tilaan ja mittausnäytössä esitetään mitattu näytearvo.

*Huomautus:* Jos lähtötilaksi on valittu pito tai siirto, valitse, kuinka pian lähtö palaa aktiiviin tilaan.

## Kalibrointiasetusten muuttaminen

Käyttäjä voi asettaa tässä valikossa kalibrointimuistutuksen tai sisällyttää käyttäjätunnuksen ja kalibrointitiedot.

1. Paina **valikko**-näppäintä ja valitse SENSOR SETUP (Anturin asetus) > CALIBRATE (KALIBROI).
2. Jos ohjaimen salasana on otettu käyttöön suojausvalikossa, anna salasana.



3. Valitse CAL OPTIONS (KALIBROINTIASETUKSET) ja paina **enter**-näppäintä.  
 4. Valitse nuolinäppäimillä valinta ja paina **enter**-näppäintä.

Vaihtoehto	Kuvaus
<b>CAL REMINDER (KALIBROINTIMUISTUTUS)</b>	Asettaa muistutuksen seuraavalle kalibroinnille päivissä, kuukausissa tai vuosissa - valitse haluamasi kesto luettelosta.
<b>OP ID ON CAL (KÄYTTÄJÄTUNNUS KALIBROINNISSA)</b>	Sisällyttää käyttäjätunnuksen ja kalibrointidatan - YES (KYLLÄ) tai NO (EI) (oletus). Tunnus lisätään kalibroinnin aikana.

## Huolto

### ▲ VAARA

Useita vaaroja. Vain ammattitaitoinen henkilö saa suorittaa käyttöohjeen tässä osassa kuvatut tehtävät.

## Puhdistaminen ja dekontaminaatio

### ▲ VAARA

Varmista aina ennen huoltoa, ettei ohjaimessa ole virtaa.

Analysaattori ei normaalisti edellytä puhdistamista tai dekontaminaatiota. Puhdista instrumentin ulkopinta tarvittaessa kostealla liinalla ja miedolla saippualliuksella. Älä koskaan käytä puhdistukseen tärpättä, asetonaa tai vastaavia tuotteita instrumentin, sen näytön tai varusteiden puhdistamiseen.

## Vianmääritys

### Varoitusluettelo

Varoituskuvakkeessa on kolmion sisällä oleva huutomerkki. Varoituskuvake tulee näkyviin päänäytön oikealle puolelle mittausarvon alle. Varoitus ei vaikuta valikoiden, releiden eikä lähtöjen toimintaan. Näytä varoitukset painamalla **valikkopainiketta** ja valitse DIAGNOSTICS (DIAGNOSTIIKKA). Valitse sitten laite nähdäksesi laitteessa mahdollisesti olevat ongelmat. Varoituskuvake poistuu näkyvistä heti, kun ongelma on korjattu tai kuitattu.

Mahdolliset varoitukset luetellaan kohdassa [Taulukko 5](#).

**Taulukko 5 Hapensitoja-antureiden varoitusluettelo**

Varoitus	Kuvaus	Resolution (Resoluutio)
O2 SCAVENGER TOO HIGH (O2-SITOJA LIIAN KORKEA)	Mitattu arvo on > 10000 ppm	Varmista, että hapensitojan (hydratsiin tai karbohydratsidin) taso prosessivedessä on anturin toimintarajojen sisällä. Kalibroi tai vaihda anturi.
O2 SCAVENGER TOO LOW (O2-SITOJA LIIAN MATALA)	Mitattu arvo on < 0 ppm	Kalibroi tai vaihda anturi.
TEMP TOO HIGH (LÄMPÖTILA LIIAN KORKEA)	Mitattu lämpötila > 50 °C	Laske näytelämpötilaa.
TEMP TOO LOW (LÄMPÖTILA LIIAN MATALA)	Mitattu lämpötila < 0 °C	Nosta näytelämpötilaa.
CURRENT TOO HIGH (VIRTA LIIAN KORKEA)	Mitattu virta > 200 mA	Varmista, että hapensitojan (hydratsiin tai karbohydratsidin) taso prosessivedessä on anturin toimintarajojen sisällä. Kalibroi tai vaihda anturi.

**Taulukko 5 Hapensitoja-antureiden varoitusluettelo (jatk.)**

Varoitus	Kuvaus	Resolution (Resoluutio)
CURRENT TOO LOW (VIRTA ON LIIAN MATALA)	Mitattu virta < -0,5 mA	Kalibrooi tai vaihda anturi.
CAL OVERDUE (KALIBROINTI UMPEUTUNUT)	Kalibroinnin muistutus aika on umpeutunut.	Kalibrooi anturi.
REPLACE SENSOR (VAIHDA ANTURI)	Anturi on ollut käytössä > 365 päivää	Vaihda mittapää ja kalibrooi anturi. Jos kalibrointitulokset hyväksytään, nollaa kalvopäivät DIAG/TEST-valikosta.
NOT CALIBRATED (EI KALIBROITU)	Anturia ei ole kalibroitu.	Kalibrooi anturi.
CAL IN PROGRESS (KALIBROINTI KÄYNNISSÄ)	Kalibrointi on käynnistynyt mutta ei päättynyt.	Palaa kalibrointiin.

## Varaosat ja varusteet

Katso ohjaimen dokumentaatiosta vaihto-osat ja lisävarusteet ohjaimen osiin ja lisävarusteisiin.  
**Huomautus:** Tuotteet ja tuotenumerot saattavat vaihdella markkina-alueittain. Ota yhteys asianmukaiseen jälleenmyyjään tai hae yhteyshiedot yhtiön Internet-sivustolta.

### 2 vuoden varaosat - 09186=A=8000

Kuvaus	Määrä	Osanumero
Suodatin	6	363877,06000
Viite-elektrodi	1	368429,00000
Venturi-injektiosuutin	1	359090,00024
Venturi-injektiosuuttimen O-rengas	1	356099,05090
Muoviset puhdistushelmet	7	588801,75008
4 x 6 mm PE-letku	2 metriä	151575,00006

### Mittauskenno

Kuvaus	Osanumero
Mittauskenno	09186=A=0100
Viite-elektrodi	368429,00000
Toimiva elektrodi	09186=A=0300
Tulon kulmasovitin G1/8 DN 4/6	359103,10070
Lähdön sovitin G1/8 DN6/8	359103,10055
Tulppa NPT1/8	431=201=018
Käsittelynestepullo ja välineet	09186=A=0200
Ruskea lasipullo	490=010=011
Huokoinen patruuna	09073=C=0340
Sovitin G1/8 DN4/6	359103,10065
Varustukseen kuuluva virtausnopeuden ohjain	09186=A=0400
Tulon sovitin G1/4 DN 4/6	587=006=002
Lyhyt kulmasovitin G1/4 DN 4/6	359103,10072

**Mittauskenno (jatk.)**

<b>Kuvaus</b>	<b>Osanumero</b>
Pitkä kulmasovitin G1/4 DN 4/6	587=906=002
Virtausmittari	694=000=001
Kulmasovitin NPT1/8 DN4/6	359103,10170

**Varusteet**

<b>Kuvaus</b>	<b>Osanumero</b>
Kemiallisen nollan kalibroimisen patruuna	09186=A=0600

# Tartalomjegyzék

Műszaki adatok oldalon 268

Működtetés oldalon 284

Általános tudnivaló oldalon 270

Karbantartás oldalon 287

Összeszerelés oldalon 272

Hibaelhárítás oldalon 287

Üzembe helyezés oldalon 281

Cserealkatrészek és tartozékok oldalon 288

A kezelőfelület és navigálás oldalon 281

## Az útmutató bővített változata

További információkért tekintse meg e felhasználói útmutató bővített változatát a gyártó weboldalán.

## Műszaki adatok

A műszaki adatok előzetes bejelentés nélkül változhatnak.


### Panel

Műszaki adatok	Részletes adatok
Méretetek	817 x 300 x 140 mm (32,2 x 11,8 x 5,5 hüvelyk)
Tömeg	14,6 kg (32,15 font)
Minta áramlási sebessége	10 - 15 liter/óra
Üzemi nyomás	0,5-6 bar (7-87 font per négyzethüvelyk)
Környezeti hőmérséklet	0-60 °C (-32-140 °F)
Relatív páratartalom	10-90%
Működő elektróda	Platina
Számláló elektróda	Rozsdamentes acél
Referencia	Ag / AgCl / KCl 0,1 M
Mérőkamra	Akril
Mintakondicionáló	DIPA (di-izopropilamin)
Európai szabványok	EN 61326 A osztály EMC esetén; EN 601010-1 kifeszültségű biztonság esetén
Nemzetközi szabványok	cETLus

### Érzékelő

Műszaki adatok	Részletes adatok
Mérési tartomány	0 - 500 ppb hidrazin; 0 - 100 ppb karbohidrazid
Érzékenység	< 0,2 ppb
Megismételhetőség	1 ppb vagy a mérés $\pm$ 2%-a, amelyik nagyobb
Érzékelési határ	$\leq$ 1 ppb
Válaszidő	< 60 másodperc
Mintahőmérséklet mérési tartománya	5-45 °C (41-113 °F)

## Vezérlő

Jellemző	Adatok
A részegység leírása	Az érzékelőket működtető és a mért értékeket megjelenítő mikroprocesszoros menüvezérlésű vezérlő.
Üzemi hőmérséklet	-20 - 60 °C (-4 - 140 °F); 95% relatív páratartalom (páralesapódás nélkül) 7 W alatti érzékelőterhelésnél; -20 - 50 °C (-4 - 104 °F), 28 W alatti érzékelőterhelésnél.
Tárolási hőmérséklet	-20 - 70 °C (-4 - 158 °F); 95% relatív páratartalom (páralesapódás nélkül)
Ház <sup>1</sup>	NEMA 4X/IP66 fémház, korrózióálló kikészítéssel
Teljesítményigény	<p><b>Váltakozó feszültségről táplált vezérlő:</b> 100-240 V AC ±10%, 50/60 Hz; 50 VA felvett teljesítmény az érzékelő, illetve a hálózati modul 7 W-os terhelése mellett, 100 VA felvett teljesítmény az érzékelő, illetve a hálózati modul 28 W-os terhelése mellett (opcionális Modbus, RS232/RS485, Profibus DPV1 vagy HART hálózati kapcsolat).</p> <p><b>24 V egyenfeszültségről táplált vezérlő:</b> 24 V DC–15%, + 20%; 15 W teljesítmény az érzékelő, illetve a hálózati modul 7 W-os terhelése mellett, 40 W az érzékelő, illetve a hálózati modul 28 W-os terhelése mellett (opcionális Modbus, RS232/RS485, Profibus DPV1 vagy HART hálózati kapcsolat).</p>
Magasságra vonatkozó követelmények	Tengerszint felett 2000 m (6562 láb)
Szennyezési fok / telepítési kategória	Szennyezési fok /II. telepítési kategória
Kimenetek	Két analóg (0 - 20 mA vagy 4 - 20 mA) kimenet. Az analóg kimenetek beállíthatók úgy, hogy egy mért paramétert jelenítsenek meg, mint például a pH, a hőmérséklet, az áramlás vagy a kiszámított értékek. Az opcionális modul három további analóg kimenettel (összesen 5) szolgál.
Relék	Négy, felhasználó által konfigurált SPDT-érintkező, 250 V AC, legfeljebb 5 A terhelésű névleges jellemzőkkel a váltakozó feszültségről táplált vezérlőhöz, és 24 V DC, legfeljebb 5 A terhelésű névleges jellemzőkkel az egyenfeszültségről táplált vezérlőhöz. A relék váltakozó feszültségű hálózati áramkörre (amikor a vezérlő 115-240 V váltakozó feszültségről táplált) vagy egyenfeszültségű (amikor a vezérlő 24 V egyenfeszültségről táplált) áramkörhöz csatlakozásra tervezettek.
Méretek	½ DIN—144 x 144 x 180,9 mm (5,7 x 5,7 x 7,12 hüvelyk)
Tömeg	1.7 kg (3.75 font)
EMC követelmények	EN61326-1: EMC irányelv <b>Megjegyzés:</b> Ez a termék „A” osztályú. Háztartási környezetben ez a termék rádióinterferenciát okozhat, amely esetben a felhasználónak megfelelő intézkedéseket kell fogadatosítania.
 Korean registration	<p><b>User Guidance for EMC Class A Equipment</b></p> <p>업무용을 위한 EMC 등급 A 장치에 대한 사용자 지침 사용자안내문 A 급 기기 ( 업무용 방송통신기자재 ) 이 기기는 업무용 (A 급) 전자파적합기기로서 판매자 또는 사용자는 이 점을 주의하시기 바라며, 가정외의 지역에서 사용하는 것을 목적으로 합니다.</p>
CE megfeleléség	EN61010-1: Alacsony Feszültség Irányelv
Digitális kommunikáció	Opcionális Modbus, RS232/RS485, Profibus DPV1 vagy HART hálózati kapcsolat adatátvitelhez.

<sup>1</sup> Az Underwriters Laboratories (UL) tanúsítványával rendelkező egységek kizárólag beltéri használatra valók, és nem rendelkeznek NEMA 4X/IP66 minősítéssel.

Jellemző	Adatok
Adatrögzítés	SD-kártya (legfeljebb 32 GB) vagy különleges RS232 csatlakozó adatrögzítéshez vagy szoftverfrissítések végrehajtásához. A vezérlő érzékelőnként megközelítőleg 20 000 adatpont tárolására képes.
Jótállás	2 év

## Általános tudnivaló

A gyártó semmilyen körülmények között sem felelős a jelen kézikönyv hibájából, vagy hiányosságaiból eredő közvetlen, közvetett, véletlenszerű, vagy következményként bekövetkezett kárért. A gyártó fenntartja a kézikönyv és az abban leírt termékek megváltoztatásának jogát minden értesítés vagy kötelezettség nélkül. Az átdolgozott kiadások a gyártó weboldalán találhatóak.

## Biztonsági tudnivaló

### MEGJEGYZÉS

A gyártó nem vállal felelősséget a termék nem rendeltetésszerű alkalmazásából vagy használatából eredő semmilyen kárért, beleértve de nem kizárólag a közvetlen, véletlen vagy közvetett károkat, és az érvényes jogszabályok alapján teljes mértékben elhárítja az ilyen kárigényeket. Kizárólag a felhasználó felelőssége, hogy felismerje a komoly alkalmazási kockázatokat, és megfelelő mechanizmusokat szereljen fel a folyamatok védelme érdekében a berendezés lehetséges meghibásodása esetén.

Kérjük, olvassa végig ezt a kézikönyvet a készülék kicsomagolása, beállítása vagy működtetése előtt. Szenteljen figyelmet az összes veszélyjelző és óvatosságra intő mondatra. Ennek elmulasztása a kezelő súlyos sérüléséhez vagy a berendezés megrongálódásához vezethet.

A berendezés nyújtotta védelmi funkciók működését nem szabad befolyásolni. Csak az útmutatóban előírt módon használja és telepítse a berendezést.

### A veszélyekkel kapcsolatos tudnivalók alkalmazása

#### ▲ VESZÉLY

Lehetséges vagy közvetlenül veszélyes helyzetet jelez, amely halálhoz vagy súlyos sérüléshez vezet.

#### ▲ FIGYELMEZTETÉS

Lehetséges vagy közvetlenül veszélyes helyzetet jelez, amely halálhoz vagy súlyos sérüléshez vezethet.

#### ▲ VIGYÁZAT




Lehetséges veszélyes helyzetet jelez, amely enyhe vagy kevésbé súlyos sérüléshez vezethet.





### MEGJEGYZÉS

A készülék esetleges károsodását okozó helyzet lehetőségét jelzi. Különleges figyelmet igénylő tudnivaló.

### Óvintézkedést tartalmazó felirati táblák

Olvassa el a műszerhez csatolt valamennyi címkét és függő címkét. A rajtuk olvasható figyelmeztetések be nem tartása személyi sérüléshez vagy a műszer megrongálódásához vezethet. A műszeren látható szimbólum jelentését a kézikönyv egy óvintézkedési mondatral adja meg.

	Ez a biztonsági figyelmeztetés szimbóluma. A személyi sérülések elkerülése érdekében tartson be minden biztonsági utasítást, amely ezt a szimbólumot követi. Ha ezt a jelzést a műszeren látja, az üzemeltetésre és biztonságra vonatkozó információkért olvassa el a használati utasítást.
	Ez a szimbólum áramütés, illetőleg halálos áramütés kockázatára figyelmeztet.
	Ez a szimbólum elektrosztatikus kisülésre (ESD) érzékeny eszközök jelenlétére figyelmeztet, és hogy intézkedni kell az ilyen eszközök megvédelme érdekében.

	Ez a jelölés, ha a terméken szerepel, azt jelenti, hogy a műszer váltakozó áramhoz kapcsolódik.
	Az ezzel a szimbólummal jelölt elektromos készülékek Európában nem helyezhetők háztartási vagy lakossági hulladékfeldolgozó rendszerekbe. A gyártó köteles ingyenesen átvenni a felhasználttól a régi vagy elhasználandó elektromos készülékeket.
	Az ezzel a jelzéssel megjelölt berendezéseknél a termék mérgező vagy veszélyes anyagokat vagy elemeket tartalmaz. A jelzésen belül szereplő szám a környezetvédelmi felhasználási időszakot jelzi években.
	Az ezzel a jelzéssel megjelölt berendezések azt jelzik, hogy a termék megfelel a vonatkozó dél-koreai EMC szabványoknak.

## Tanúsítvány

### A rádió interferenciát okozó eszközök kanadai szabályozása, IECIS-003 A osztály:

A vizsgálati eredmények bizonyítása a gyártónál található.

Ez az A osztályú berendezés megfelel A rádió interferenciát okozó eszközök kanadai szabályozásának.

### FCC 15 szakasz, az "A" osztályra vonatkozó határokkal

A vizsgálati eredmények bizonyítása a gyártónál található. Az eszköz megfelel az FCC szabályok 15. szakaszában foglaltaknak. A működés a következő feltételek függvénye:

1. A berendezés nem okozhat káros interferenciát.
2. A berendezésnek minden felvett interferenciát el kell fogadnia, beleértve azokat az interferenciákat is, amelyek nem kívánatos működéshez vezethetnek.

A berendezésben véghezvit, és a megfelelőségbiztosításra kijelölt fél által kifejezetten el nem fogadott változtatások vagy módosítások a berendezés működtetési jogának megvonását vonhatják maguk után. Ezt a berendezést bevizsgálták, és azt az FCC szabályok 15. szakaszának megfelelően, az A osztályú készülékekre érvényes határértékek szerintinek minősítették. E határértékek kialakításának célja a tervezés során a megfelelő védelem biztosítása a káros interferenciák ellen a berendezés kereskedelmi környezetben történő használata esetén. A berendezés rádió frekvencia energiát gerjeszt, használ és sugároz, és amennyiben nem a használati kézikönyvnek megfelelően telepítik vagy használják, káros interferenciát okozhat a rádiós kommunikációban. A berendezésnek lakott területen való működtetése valószínűleg káros interferenciát okoz, amely következtében a felhasználót saját költségére az interferencia korrekciójára kötelezik. A következő megoldások használhatók az interferencia problémák csökkentésére:

1. Kapcsolja le a berendezést az áramforrásról annak megállapításához, hogy az eszköz az interferencia forrása.
2. Amennyiben a berendezés ugyanarra a csatlakozó aljzatra van téve, mint az interferenciát észlelő készülék, csatlakoztassa a készüléket egy másik csatlakozó aljzatba.
3. Vigye távolabb a készüléket az interferenciát észlelő készüléktől.
4. Állítsa más helyzetbe annak a készüléknek az antennáját, amelyet zavar.
5. Próbálja ki a fenti intézkedések több kombinációját.

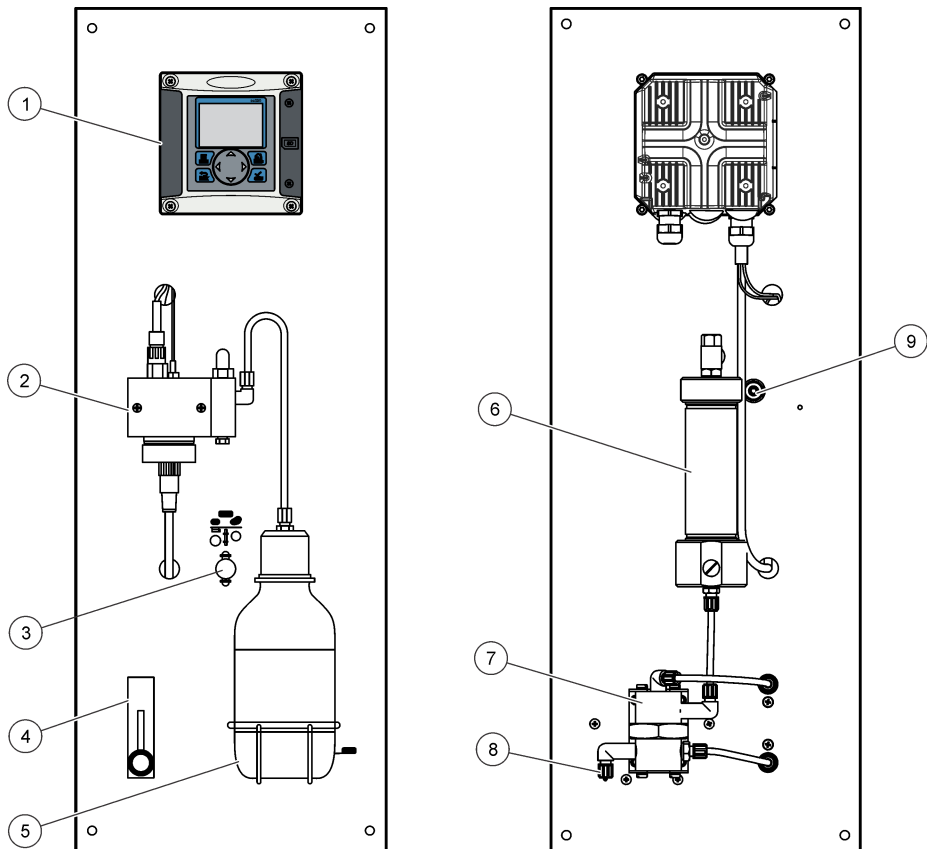
## A termék részegységei

Győződjön meg arról, hogy minden részegységet megkapott. Ha valamelyik tétel hiányzik vagy sérült, forduljon azonnal a gyártóhoz vagy a forgalmazóhoz.

## A termék áttekintése

Az analizátort úgy tervezték, hogy folyamatosan mérje az oxigénmentesítők (hidrazin vagy karbohidrazid) mennyiségét a vízben.

1. ábra Elő- és hátulnézet



1 Vezérlő	6 Vegyi nullapont kazetta (opció)
2 Mérőkamra	7 Nyomásszabályozó
3 Vegyi nullapont be/ki (opció)	8 Minta befolyó csatlakozás, 4/6 mm-es cső
4 Áramlásmérő	9 Mintaürítő, 6/8 mm-es cső, légköri nyomás
5 Mintakondicionáló palack (DIPA)	

## Összeszerelés

### ▲ VIGYÁZAT



Többszörös veszély. A dokumentumnak ebben a fejezetében ismertetett feladatokat csak képzett szakemberek végezhetik el.



## Az analízátor felszerelése

### ▲ VIGYÁZAT

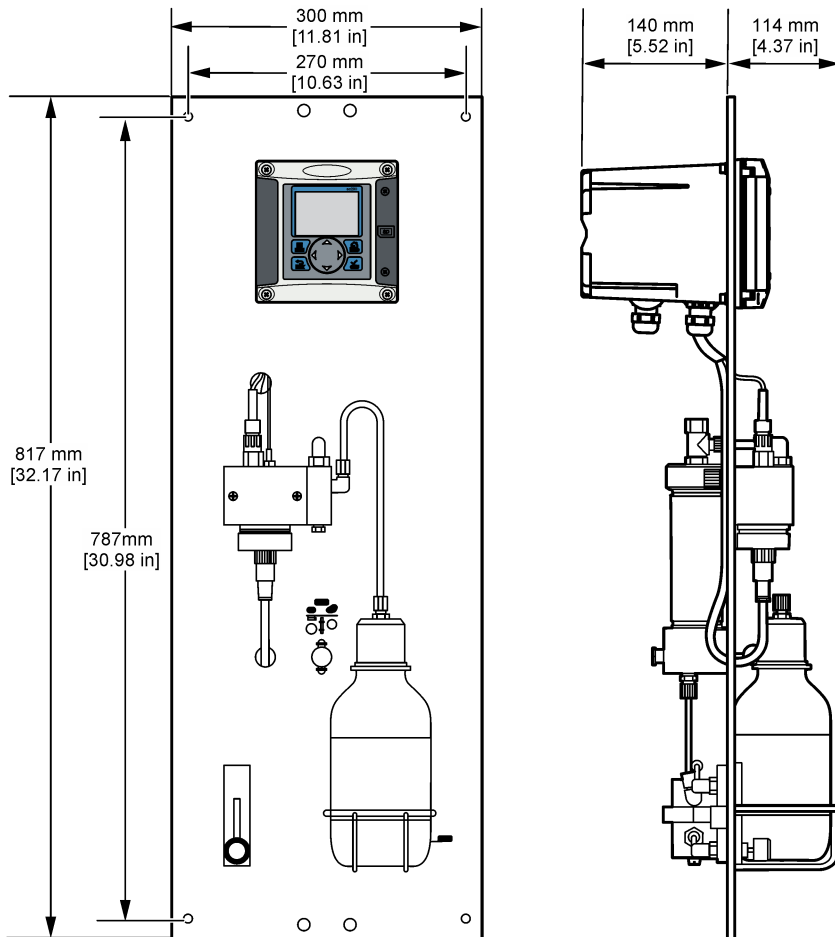
Személyi sérülés veszélye. A műszerek vagy az alkatrészek nehezek. A szereléshez vagy mozgatáshoz kérjen segítséget. Győződjön meg arról, hogy a falı tartó képes megtartani a berendezés súlyának 4-szeresét.

### MEGJEGYZÉS

A pontosság biztosítása érdekében az analízátort függőlegesen kell elhelyezni.

Rögzítse az analízátort stabil, függőleges felülethez. Használjon vízszintmérőt, hogy az analízátor teljesen függőleges legyen. Lásd az alábbi útmutatót.

- Olyan helyre tegye a műszert, ahol könnyen hozzáférhető a működtetés, a szervizelés vagy kalibrálás céljából.
- Gondoskodjon róla, hogy a kijelző és a vezérlők jól láthatók legyenek.
- Tartsa hőforrástól távol a műszert.
- Tartsa rezgésektől távol a műszert.
- A minimális reakcióidő elérése érdekében a lehető legrövidebbre állítsa a minta vezetékét.
- Győződjön meg róla, hogy nincs levegő a mintaadagoló csőben.

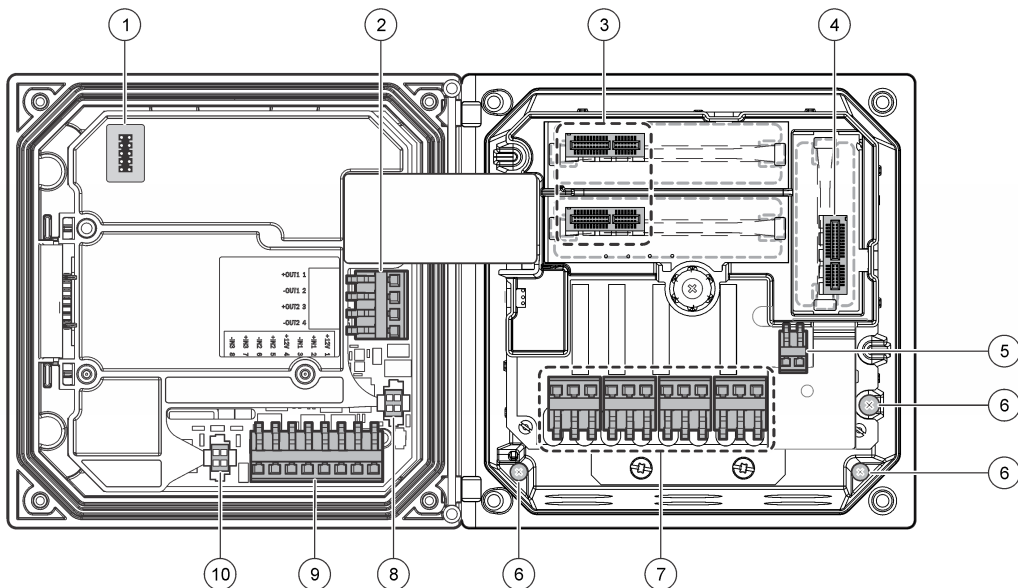


## A vezetékezés áttekintése

Az alábbi ábrán (2. ábra) a vezérlő vezetékcsatlakozásai láthatók a nagyfeszültségű védőelem eltávolítását követően. Az ábra bal oldalán a vezérlő fedelének hátsó oldala látható.

**Megjegyzés:** A modulok telepítése előtt távolítsa el a védősapkákat a csatlakozókról.

2. ábra A vezetékcsatlakozások áttekintése



1 Szervikábel csatlakozója	5 Váltakozó- és egyenfeszültség csatlakozója <sup>2</sup>	9 Diszkrét bemenet vezetékezési csatlakozója <sup>2</sup>
2 4 - 20 MA kimenet <sup>2</sup>	6 Földcsatlakozó	10 Digitális érzékelő csatlakozója <sup>2</sup>
3 Érzékelőmodul csatlakozója	7 Relécsatlakozók <sup>2</sup>	
4 Kommunikációs modul csatlakozója (például Modbus, Profibus, HART, opcionális 4-20 mA-es modul stb.)	8 Digitális érzékelő csatlakozója <sup>2</sup>	

### Nagyfeszültségű védőelem

A vezérlő nagyfeszültségű vezetékai a nagyfeszültségű védőelem mögött futnak a vezérlő házában. A védőelem csak a modulok telepítésekor, illetve a relék, a riasztók vagy a kimenetek vezetékének képzett szakember által történő kiépítése esetén távolítható el. Ne távolítsa el a védőelemet, amíg a vezérlő áram alatt van.

### Áramvezeték kiépítése

#### ▲ FIGYELMEZTETÉS



Halálos áramütés veszélyének lehetősége. Mindig kösse le a műszerről a tápfeszültséget, amikor elektromos összeköttetéseket létesít.

<sup>2</sup> A csatlakozók a jobb hozzáférés céljából eltávolíthatók.

## ⚠ FIGYELMEZTETÉS



Halálos áramütés veszélyének lehetősége. Ha ezt az eszközt terepen, vagy esetlegesen nedves körülmények között használják, egy **FI védőkapcsolóval** használható az eszköznek a hálózati áramforrásra való csatlakoztatásakor.

## ⚠ VESZÉLY



Halálos áramütés veszélye. Ne csatlakoztasson váltakozó feszültséget a 24 V egyenfeszültségről táplált típushoz.

## ⚠ FIGYELMEZTETÉS



Halálos áramütés veszélyének lehetősége. Védőföldelés csatlakoztatás szükséges mind a 100-240 V váltakozó feszültségű, mind a 24 V egyenfeszültségű vezetékezési alkalmazásokban. Ha nincs jó minőségű védőföld csatlakozás, az áramütés veszélyéhez és működési zavarokhoz vezethet, az elektromágneses zavaró kölcsönhatások miatt. **MINDIG** csatlakoztasson jó védőföldelést a vezérlő csatlakozójához.

## MEGJEGYZÉS

Olyan helyre és helyzetbe telepítse az eszközt, amellyel jó hozzáférést biztosít a lekapcsoló készülékhez és annak használatához.

A vezérlő 100 - 240 V váltakozó feszültségről vagy 24 V egyenfeszültségről táplált típusként is megvásárolható. Kövesse a megvásárolt típusra vonatkozó, megfelelő bekötési utasításokat.

A vezérlő hálózati bekötése történhet állandó, vezetékcsatornás vezetékezással vagy tápkábel csatlakoztatásával. A csatlakozásokat az alkalmazott vezetéktől függetlenül, ugyanazokra a kivezetésekre kell kötni. Szükség van a helyben érvényes villamos szabályozásnak megfelelően tervezett, helyi bontási lehetőségre, amelyet minden fajta felszerelés esetében meg kell határozni. A huzalozott alkalmazásokban a készülék tápellátó- és a védőföld-vezetékei keresztmetszetének 1,024 - 2,053 mm között kell lennie. Győződjön meg róla, hogy a terepi kábelezés szigetelése legalább 80 °C (176 °F).

### Megjegyzések:

- A feszültségvédőt el kell távolítani elektromos csatlakozások kiépítése előtt. A csatlakozások kiépítését követően helyezze vissza a feszültségvédőt, mielőtt bezárná a vezérlő fedelét.
- A NEMA 4X/IP66 környezeti besorolás fenntartásához tömítő tehermentesítő, és egy 3 méternél rövidebb, 3 x 1,024 mm keresztmetszetű (védőföld-vezetéket is tartalmazó) vezetővel rendelkező tápkábel használható.
- A vezérlők előre beszerelt hálózati tápkábellel rendelhetők. Valamint további tápkábelek is megrendelhetők.
- Az egyenfeszültségű tápegységnek, amely a 24 V egyenfeszültségről táplált vezérlőt ellátja, a 24 V-os feszültség szabályozását az előírt -15 % / +20 % határok között kell fenntartania. Az egyenfeszültségű tápegységnek a túlfeszültség és a vonali tranziensek ellen is megfelelő védelmet kell nyújtania.

### Vezetékezési eljárás

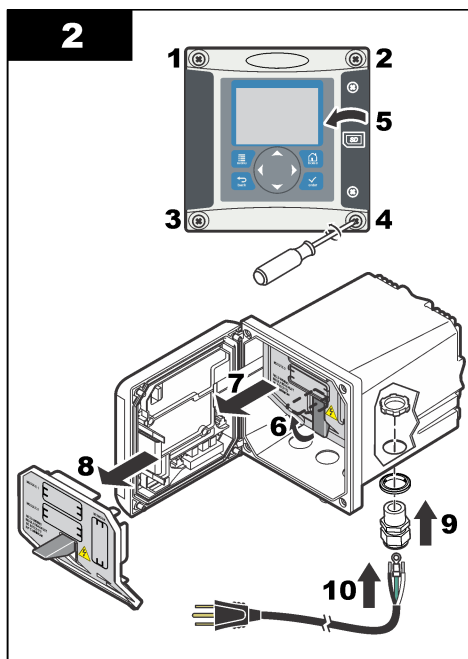
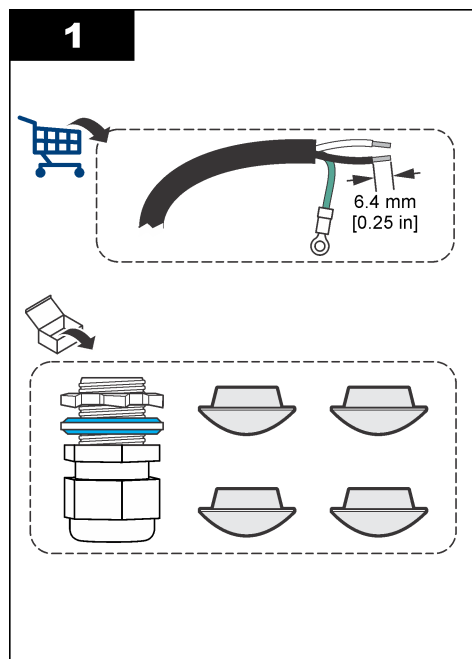
A vezérlő áramellátó vezetékezéséhez lásd: az alábbi ábrákon látható lépések, valamint [1. táblázat](#) vagy [2. táblázat](#). A vezetékeket úgy helyezze a megfelelő csatlakozóba, hogy a szigetelés a csatlakozóhoz érjen és ne lógjon ki a csupaszc vezeték. A behelyezés után finoman húzza meg a vezetéket annak ellenőrzéséhez, hogy a csatlakozás biztonságos. A nem használt nyílásokat vezetékcsontra-nyílást lezáró dugóval fedje be a vezérlő dobozán.

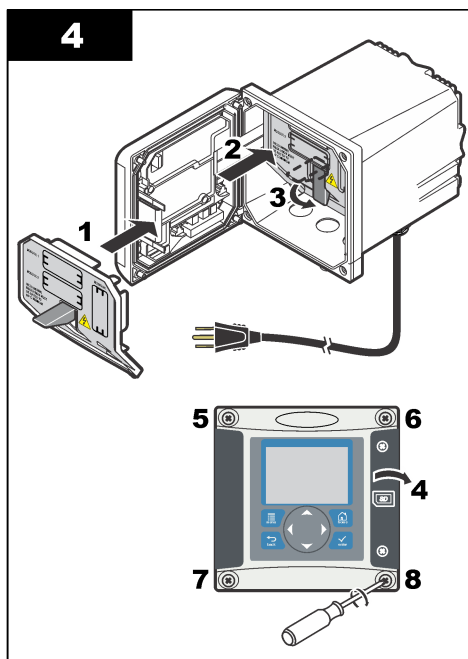
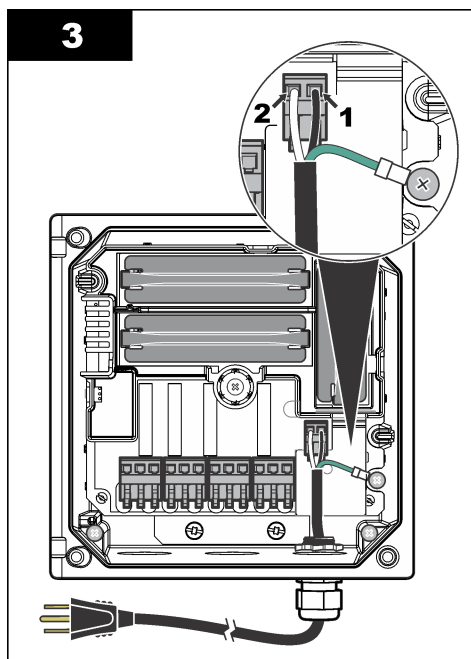
**1. táblázat Tájékoztató a váltakozó feszültségű bekötésről (csak a váltakozó feszültségről táplált típusához)**

Csatlakozó	Leírás	Szín (Észak-Amerika)	Szín (EU)
1	Fázis (L1)	Fekete	Barna
2	Nulla (N)	Fehér	Kék
—	védőföld (PE) kábelcsatlakozó	Zöld	Zöld, sárga csíkkal

**2. táblázat Tájékoztató az egyenfeszültségű bekötésről (csak az egyenfeszültségről táplált típusához)**

Csatlakozó	Leírás	Szín (Észak-Amerika)	Szín (EU)
1	+24 V DC	Piros	Piros
2	24 V föld	Fekete	Fekete
—	védőföld (PE) kábelcsatlakozó	Zöld	Zöld, sárga csíkkal





### Riasztások és relék

A vezérlő négy nem táplált, egypólusú relével van felszerelve, amelyek 100-250 V váltakozó feszültség, 50/60 Hz, 5 A terhelhetőséggel rendelkeznek. Az érintkezők 250 V váltakozó feszültség, 5 A terhelhetőséggel rendelkeznek a váltakozó feszültségről táplált vezérlő esetén, és 24 V egyenfeszültség, legfeljebb 5 A terhelhetőséggel rendelkeznek az egyenfeszültségről táplált vezérlő esetében. A relék nem rendelkeznek névleges induktív terheléssel.

### Relék vezetékézése

**▲ FIGYELMEZTETÉS**

 Halálos áramütés veszélyének lehetősége. Mindig kösse le a műszerről a tápfeszültséget, amikor elektromos összeköttetéseket létesít.


**▲ FIGYELMEZTETÉS**

 Tűzveszély lehetősége. A relé érintkezők 5 A névleges áramra készültek, és olvadó biztosító nélküliek. A relékhez kapcsolt külső terheléseknek áramkorlátozóval kell rendelkezniük, az áramerősség 5 A alá csökkentéséhez.

**▲ FIGYELMEZTETÉS**

 Tűzveszély lehetősége. Ne kösse össze sodrott vezetékkel a közös relés kapcsolásokat, vagy ne használjon áthidaló vezetéket a készülék belsejében a hálózati feszültség csatlakozójáról.

**▲ FIGYELMEZTETÉS**

 Halálos áramütés veszélyének lehetősége. A burkolat NEMA/IP besorolásának megtartása érdekében legalább a NEMA 4X/IP66 szabványnak megfelelő vezetékhalozati szerelvényeket és kábelszorítókat alkalmazzon, amikor a vezetékeket bevezeti a készülékbe.

### Váltakozó feszültségről (100 - 250 V) táplált vezérlők

## ▲ FIGYELMEZTETÉS



Halálos áramütés veszélyének lehetősége. A váltakozó feszültségű vezérlőket (115 V–230 V) váltakozó feszültségű (16 V eff., 22,6 csúcs- vagy 35 egyenfeszültségnél nagyobb) áramkörökhöz való relés csatlakozáshoz tervezték.

A vezetékezést szolgáló rekeszt nem a 250 V váltakozó feszültséget meghaladó feszültségek csatlakoztatására tervezték.

### 24 V egyenfeszültségről táplált vezérlők

## ▲ FIGYELMEZTETÉS



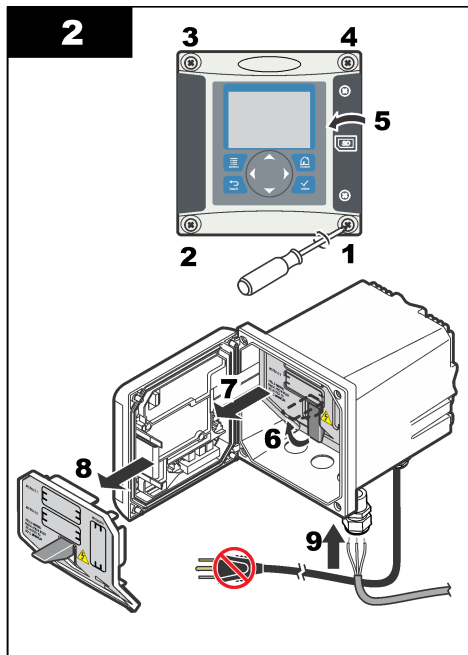
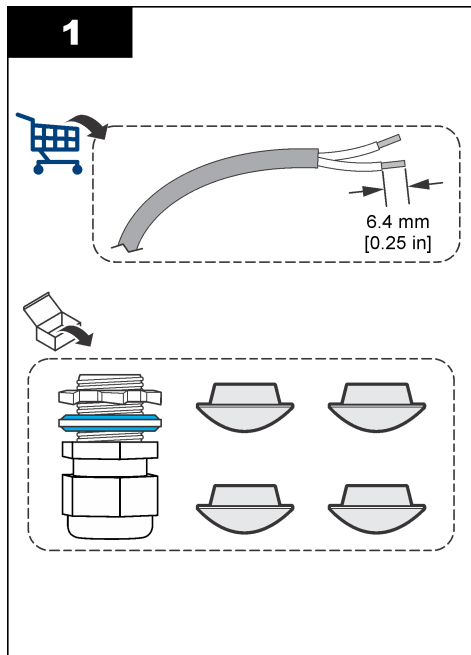
Halálos áramütés veszélyének lehetősége. A 24 V vezérlőket alacsony feszültségű (16 eff., 22,6 csúcs- vagy 35 egyenfeszültségnél kisebb) relés csatlakozáshoz tervezték.

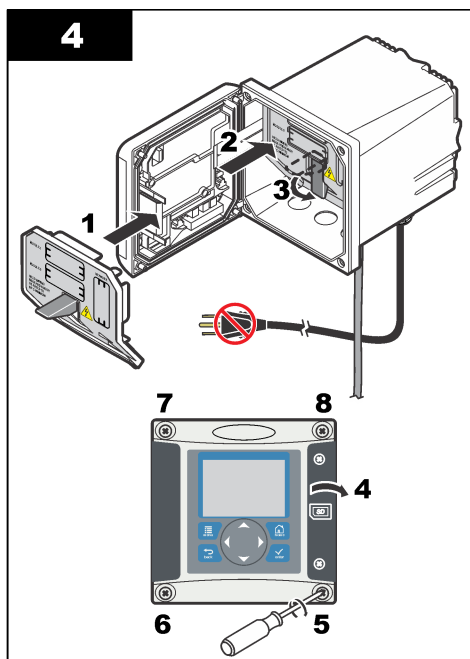
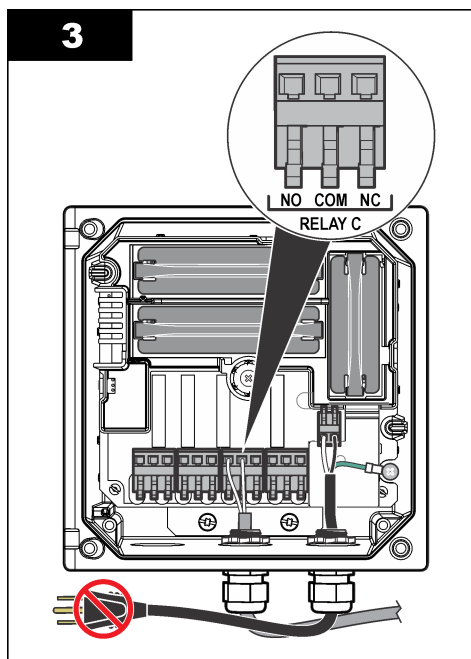
A 24 V egyenfeszültségű vezérlőt kis feszültségű (kisebb mint 30 V eff., 42,2 V csúcs- vagy 60 V egyenfeszültség) áramkörökhöz való csatlakozáshoz tervezték. A vezetékezést szolgáló rekeszt nem e szinteknél nagyobb feszültségek csatlakoztatására tervezték.

A relécsatlakozó 1,024 - 2,053 mm<sup>2</sup> keresztmetszetű vezetékét képes befogadni (ezt az alkalmazás terhelése határozza meg). Az 1,024 mm<sup>2</sup>-nél kisebb keresztmetszetű vezetékek használata nem ajánlott. Győződjön meg róla, hogy a terepi kábelezés szigetelése legalább 80 °C (176 °F).

Az alaphelyzetben nyitott (NO) és közös (COM) reléérintkezők akkor kapcsolódnak össze, amikor egy riasztási- vagy egyéb feltétel aktív. Az alaphelyzetben zárt (NC) és közös reléérintkezők akkor kapcsolódnak össze, amikor egy riasztási- vagy egyéb feltétel nem aktív (vagy ha a meghibásodásvédelem aktív), vagy a vezérlő kikapcsolásakor.

A legtöbb relékapcsolat NO és COM csatlakozókat, vagy NC és COM csatlakozókat használ. A számozott beszerelési lépésekben az NO és COM csatlakozók használata látható.





### Az analóg kimenetek csatlakozásai

#### ▲ FIGYELMEZTETÉS



Halálos áramütés veszélyének lehetősége. Mindig kösse le a műszerről a tápfeszültséget, amikor elektromos összeköttetéseket létesít.

#### ▲ FIGYELMEZTETÉS



Halálos áramütés veszélyének lehetősége. A burkolat NEMA/IP besorolásának megtartása érdekében legalább a NEMA 4X/IP66 szabványnak megfelelő vezetékhalózáti szerelvényeket és kábelcsatornákat alkalmazzon, amikor a vezetékeket bevezeti a készülékbe.

Két, leválasztott analóg kimenet (1 és 2) áll rendelkezésre (3. ábra). A kimeneteket gyakran használják analóg jeltovábbításra, vagy külső eszközök vezérlésére.

A vezérlő vezetékcsatlakozásait a következők alapján hozza létre: 3. ábra és 3. táblázat.

**Megjegyzés:** A(z) 3. ábra a vezérlő fedelének hátoldalát mutatja, nem a fő vezérlőkamra belsejét.

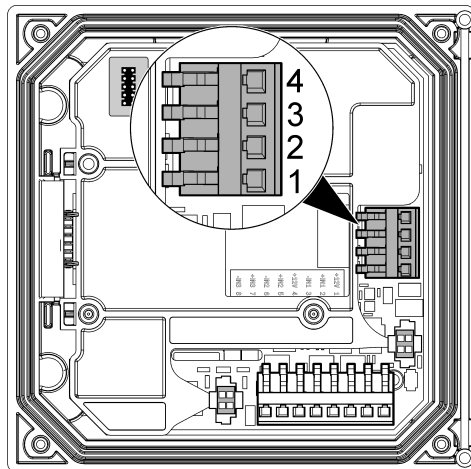
3. táblázat Kimeneti csatlakozások

A felvevő vezetékéi	Az áramköri kártya helyzete
2. kimenet-	4
2. kimenet+	3
1. kimenet-	2
1. kimenet+	1

1. Nyissa fel a vezérlő fedelét.
2. Vezesse át a vezetékeket a tehermentesítőn.
3. Szükség szerint állítsa be vezetékét, majd szorítsa meg a tehermentesítőt.

4. Az összeköttetést árnyékolt, csavart érpáras vezetékkel létesítse, az árnyékolást pedig a vezérelt elemnél vagy a vezérlőhurok végén csatlakoztassa.
  - Ne csatlakoztassa az árnyékolást a kábel mindkét végén.
  - Ha nem árnyékolt kábelt használ, az rádiófrekvenciás kibocsátást vagy a megengedettnél nagyobb szintű érzékenységi szintet eredményezhet.
  - A hurokellenállás legnagyobb értéke 500 ohm.
5. Zárja be a vezérlő fedelét, és húzza meg a fedél csavarjait.
6. A vezérlő kimeneteinek beállítása.

### 3. ábra Az analóg kimenetek csatlakozásai



### Opcionális digitális kommunikációs kimenet csatlakoztatása

A gyártó a Modbus RS485, Modbus RS232, Profibus DPV1 és HART kommunikációs protokollokat támogatja. Az opcionális digitális kimeneti modul csatlakoztatása a 4. ponton történik. Lásd: [2. ábra](#) oldalon 274. További részletekért tanulmányozza a hálózati modulhoz kapott utasításokat.

### A mintavezetékek és a leeresztő vezetékek felszerelése

Csatlakoztassa a minta és az ürítőcső vezetékeit a panel hátsó részén lévő szerelvényekhez.

1. Csatlakoztassa a mintavezetékét a beömlőnyílás 4/6 mm külső átmérőjű csőszerelvényéhez.
2. Csatlakoztassa az ürítővezetékét az ürítőcső 6/8 mm külső átmérőjű csőszerelvényéhez. A légköri nyomáson a lehető legrövidebb ideig tartsa az ürítővezetékét.



## Telepítse a reagenseket

### ▲ FIGYELMEZTETÉS



Kémiai expozíció veszélye. Kövesse a laboratóriumi biztonsági eljárásokat, és viselje a kezelt vegyszereknek megfelelő összes személyes védőfelszerelést. A biztonsági protokollokkal kapcsolatban lásd az aktuális biztonsági adatlapokat (MSDS/SDS).



1. Töltse meg az üres mintakondicionáló palackot DIPA (di-izopropilamin) oldattal, és a palackra ragasztott üres címkére írja rá a veszélyes reagensek adatait.
2. Helyezze be a mintakondicionáló palackot az analízátor elülső részébe.
3. Csatlakoztassa a tartozék csövet a mérőkamrához. Helyezze be a csövet teljesen a kondicionáló oldatot tartalmazó palackba. Győződjön meg róla, hogy a csőszerelvények szorosan illeszkednek, hogy megakadályozza, hogy a kondicionáló palackból füstgáz kerüljön a légkörbe.
4. Ha a nullás vegyszerkazettát használja, a kazettát az analízátor hátulsó részébe helyezze.

## Üzembe helyezés

Ügyeljen rá, hogy az áramlási sebesség és a nyomás ne lépjen túl az itt megadott értékeket: [Műszaki adatok](#) oldalon 268.

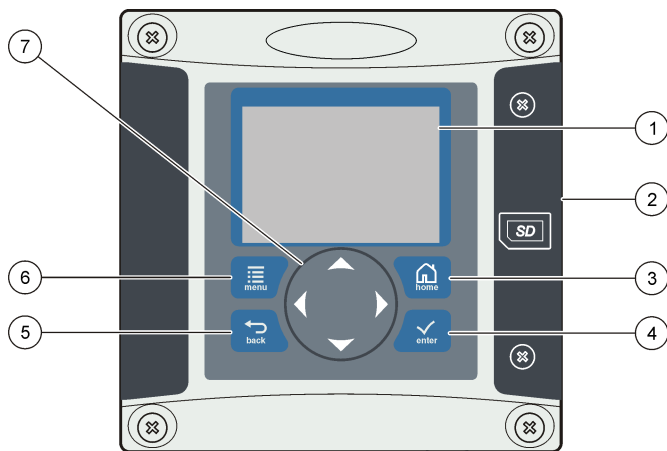
1. Nyissa ki a mintavezetéken a szelepet, hogy a minta keresztüláramolhasson az analízátoron.
2. Fordítsa el az áramlásmérő gombját, és állítsa be az áramlási sebességet.
3. Vizsgálja meg a vízvezeték-szerelést, hogy nincs-e szivárgás, és ha szivárgást talál, állítsa le a rendszert.
4. Helyezze tápfeszültség alá a vezérlőt.
5. Amikor a vezérlő elindul, végezze el a megfelelő menüpontok kiválasztását.

## A kezelőfelület és navigálás

### Felhasználói felület

A kezelőfelület négy menügombbal és négy nyíl gombbal rendelkezik (4. ábra).

#### 4. ábra A kezelőfelület és az elülső panel áttekintése



1 A műszer kijelzője	5 <b>BACK</b> gomb: a menüszerkezetben egy szinttel visszalép.
2 Az SD-kártya nyílásának fedele	6 <b>MENU</b> gomb: A Beállítások menü képernyőre vált más képernyőkről és almenükből.
3 <b>HOME</b> gomb: a fő mérési képernyőre vált más képernyőkről és almenükből.	7 Nyílombok: navigálás a menükben, beállítások módosítása, számok csökkentése és növelése.
4 <b>ENTER</b> gomb: beírt értékek, módosítások vagy megjelenített menüelemek bevitele.	

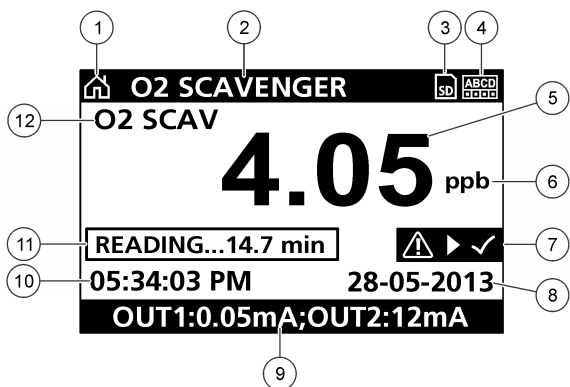
A bemenetek és a kimenetek beállítása és konfigurálása az elülső panelen történik a kezelőfelület és a képernyő segítségével. A kezelőfelülettel lehet beállítani és konfigurálni a bemeneteket és kimeneteket, létrehozni naplóadatokat és számított értékeket, valamint kalibrálni az érzékelőket. Az SD-felület az adatok mentéséhez és a szoftver frissítéséhez használható.

### Kijelző

Az ábrán (5. ábra) a vezérlő fő mérések képernyője látható a csatlakoztatott érzékelővel.

Az elülső panel kijelzőjén az érzékelő mérési adatai, kalibrációs és konfigurációs beállítások, hibaüzenetek, figyelmeztetések és egyéb adatok láthatók.

## 5. ábra Példa a fő mérési képernyőre



1 Kezdőképernyő ikon	7 Figyelmeztetési állapotsáv
2 Érzékelő neve	8 Dátum
3 SD-memóriakártya ikon	9 Analóg kimeneti értékek
4 Relé állapotjelzője	10 Időpont
5 Mérési érték	11 Állapotsáv
6 Mérési egység	12 Mérési paraméter

### 4. táblázat Az ikonok leírása

Ikon	Leírás
Kezdőképernyő	Az ikon a megjelenített menütől vagy képernyőtől függően változhat. Ha például a készülékbe SD-kártyát helyeztek, és a felhasználó az SD kártya beállítás menüt használja, ezen a helyen az SD-kártya ikon jelenik meg.
SD-memóriakártya	Ez az ikon csak akkor jelenik meg, ha SD-kártyát helyeztek a kártyaolvasó nyílásba. Az ikon a bal felső sarokban látható, ha a felhasználó az SD-kártya beállítás menüt használja.
Figyelmeztetés	A figyelmeztető ikon egy háromszögben található felkiáltójelből áll. A figyelmeztető ikonok a fő kijelző jobb oldalán, a mérési érték alatt jelennek meg. Nyomja meg az <b>ENTER</b> gombot, majd válassza ki az eszközt a hozzá kapcsolódó problémák megtekintéséhez. A figyelmeztető ikonok eltűnnek a problémák megoldása vagy nyugtázása után.
Hiba	A hiba ikon egy körben található felkiáltójelből áll. Hiba esetén a hiba ikon és a mérési képernyő felváltva villog a fő kijelzőn. A hibák megtekintéséhez nyomja meg a <b>MENÜ (MENÜ)</b> gombot, majd válassza a <b>Diagnostics (Diagnosztika)</b> elemet. Ezt követően válassza ki az eszközt a hozzá kapcsolódó problémák megtekintéséhez.

### További kijelzési formátumok

- A Fő mérési képernyőn nyomja meg a **FEL** és **LE** nyílombokat a mérési paraméterek közötti váltáshoz
- A Fő mérési képernyőn nyomja meg a **JOBBRA** nyílombokat legfeljebb 4 mérési paraméter megosztott megjelenítéséhez. Nyomja meg a **JOBBRA** nyílombokat további mérések hozzáadásához. Nyomja meg a **BALRA** nyílombokat a Fő mérési képernyőre történő visszatéréshez, szükség szerint
- A Fő mérési képernyőn nyomja meg a **BALRA** nyílombokat a grafikus megjelenítéshez (a paraméterek meghatározásához lásd: [Grafikus kijelző](#) oldalon 284). Nyomja meg a **FEL** és **LE** nyílombokat a mérési grafikonok váltásához

## Grafikus kijelző

A grafikon koncentrációs és hőmérsékleti méréseket jelenít meg a használatban lévő csatornákhöz. A grafikon lehetővé teszi a trendek egyszerű követését, és mutatja a folyamat változásait.

1. A grafikus kijelző képernyőjén használja a fel és le nyílombokat a grafikonok kiválasztásához, majd nyomja meg a **HOME (KEZDŐLAP)** gombot.
2. Válasszon ki egy opciót:

Opció	Leírás
MÉRÉSI ÉRTÉK	A kiválasztott csatornához állítsa be a mérési értéket. Válasszon az Automatikus skálázás és a Kézi skálázás lehetőségek közül. Manuális skálázáshoz adja meg a minimum és maximum mérési értékeket
DÁTUM- ÉS IDŐTARTOMÁNY	Válassza ki a dátum- és időtartományt a rendelkezésre álló lehetőségek közül

## Működtetés

### Az érzékelő konfigurálása

A KONFIGURÁLÁS menü használható arra, hogy azonosító adatokat adjunk meg az érzékelőhöz, valamint arra, hogy az adatkezelés és -tárolás beállításait módosítsuk.

1. Nyomja meg a **Menü** gombot, és válassza az **ÉRZÉKELŐ BEÁLLÍTÁSA>KONFIGURÁLÁS** menüpontot.
2. A nyílombok használatával válasszon ki egy opciót, majd nyomja meg az **Enter** gombot. Számok, karakterek vagy írásjelek beírásához nyomja meg a **fel** vagy a **le** nyílombokat. Nyomja le a **jobbra** nyílombokat, hogy a következő karakterre lépjen.

Opció	Leírás
NÉV SZERKESZTÉSE	Az érzékelőhöz tartozó név - amely a képernyő tetején látható - megváltoztatása. A név legfeljebb 16 karakterből állhat, és betűk, számok, szóközők, illetve írásjelek tetszőleges kombinációját tartalmazhatja.
ÉRZÉKELŐ S/N	Ez az opció lehetővé teszi a felhasználó számára, hogy beírja az érzékelő sorozatszámát, amely maximum 16 karakter lehet betűk, számok, szóközők, illetve írásjelek tetszőleges kombinációjából.
MÉRTÉKEGYSÉGEK	A mérés mértékegységeinek megváltoztatása - válassza ki a mértékegységet a rendelkezésre álló listáról.
HŐM EGYSÉGEK	A hőmérséklet mértékegységének beállítása °C (alapértelmezés) vagy °F értékre
SZŰRŐ	A jelstabilitás növeléséhez szükséges időállandó beállítása. Az időállandó kiszámítja az átlag értéket egy meghatározott idő alatt - 0 (nincs hatás, alapértelmezett) és 60 másodperc között (a jelérték átlaga 60 másodperchez). A szűrő megnöveli a folyamat jelenlegi változására reagáló érzékelő jelidőt.
NAPLÓ BEÁLLÍTÁS	Beállítja az adatnapló frissítésének időintervallumát – 5, 30 másodperc, 1, 2, 5, 10, 15 (alapértelmezett), 30, 60 perc.
ALAPÉRTÉKEK VISSZAÁLLÍTÁSA	A konfigurációs menü visszaállítása az alapértelmezett beállításokra. Minden érzékelő információ elvesz.

## Kalibrálás

### Az érzékelő kalibrálásáról

Az érzékelő jellemzői idővel lassan megváltoznak, és az érzékelő elveszíti a pontosságát. A pontosság fenntartása érdekében az érzékelőt rendszeresen kalibrálni kell. A kalibrálás gyakorisága függ az alkalmazástól, és tapasztalat során határozható meg.

## Hőmérséklet kalibrálás

A hőmérséklet-érzékelőt évente egyszer ajánlatos kalibrálni. A hőmérséklet-érzékelő kalibrálását a mérésérzékelő kalibrálása előtt végezze el.

1. Mérje meg a víz hőmérsékletét egy pontos hőmérővel vagy egy független készülékkel.
2. Nyomja meg a **Menü** gombot és válassza ki az **ÉRZÉKELŐ BEÁLLÍTÁSA>KALIBRÁLÁS** menüpontot.
3. Ha a vezérlő biztonsági menüjében jelszó van beállítva, írja be a jelszót.
4. Válassza az **1 PT HŐM KALIB** menüpontot, és nyomja meg az **Enter** gombot.
5. Megjelenik a nyers hőmérséklet értéke. Nyomja meg az **Enter** gombot.
6. Írja be a helyes értéket, ha az különbözik a megjelent értéktől, majd nyomja meg az **Enter** gombot.
7. A kalibrálás jóváhagyásához nyomja meg az **Enter** gombot. Megjelenik a hőmérséklet-eltérés értéke.

## Nullapont kalibrálása

A nulla értéket a gyárban bekalibrálták. A nullapont-kalibrálási eljárás az érzékelő nullapontjának meghatározására szolgál.

1. Ha a minta koncentrációja < 10 ppb, a legjobb eredmények elérése érdekében ajánlatos az opcionális nulla-kalibráló kazettát használni (lásd: [Cserealkatrészek és tartozékok](#) oldalon 288), és az érzékelőt a helyén hagyni. Ellenkező esetben vegye ki a folyamatból az érzékelőt, és öblítse le desztillált vízzel.
2. Nyomja meg a **Menü** gombot és válassza ki az **ÉRZÉKELŐ BEÁLLÍTÁSA>KALIBRÁLÁS** menüpontot.
3. Ha a vezérlő biztonsági menüjében jelszó van beállítva, írja be a jelszót.
4. Válassza a **NULLA KAL.** lehetőséget, és nyomja meg az **Enter** gombot.
5. A kalibrálás során válassza ki az opciót a kimeneti jelhez:

Opció	Leírás
<b>ACTIVE (AKTÍV)</b>	A készülék a kalibrálási eljárás során elküldi a jelenleg mért kimeneti értéket.
<b>HOLD (TARTÁS)</b>	A kalibrálási eljárás során a készülék az érzékelő kimeneti értékét megtartja a jelenleg mért értéken.
<b>TRANSFER (ÁTVITEL)</b>	A kalibrálás során a készülék egy előre beállított kimeneti értéket küld. Az előre beállított érték megváltoztatásához olvassa el a vezérlő felhasználói kézikönyvét.

6. Ha nem az opcionális nullapont-kalibráló kazettát használja, helyezze a tiszta érzékelőt hidrazinmentes oldatba, például ultra tiszta vízbe, és nyomja meg az **Enter** gombot.
7. Várjon legfeljebb egy órát, amíg az érték stabilizálódik, majd nyomja meg az **Enter** gombot.
8. Ellenőrizze a kalibráció eredményét:
  - **SIKERES** - az érzékelő kalibrálása sikerült, és az eltérés megjelenik.
  - **SIKERTELEN** - az érték az elfogadható határértékeken kívül van. Tisztítsa meg az érzékelőt, és próbálja meg újra. A további tudnivalókat lásd: [Hibaelhárítás](#) oldalon 287.
9. Ha a kalibrálás sikeres volt, a folytatáshoz nyomja meg az **Enter** gombot.
10. Ha a **KALIBRÁLÁSI OPCÍÓK** menüben a kezelői azonosító opciójának beállítása **IGEN**, akkor adja meg a kezelői azonosítót. Lásd: [A kalibrációs opciók megváltoztatása](#) oldalon 287.

11. Az ÚJ ÉRZÉKELŐ képernyőn adja meg, hogy az érzékelő új-e vagy sem:

Opció	Leírás
<b>YES (IGEN)</b>	Az érzékelő ezzel a vezérlővel még nem volt kalibrálva. Az érzékelő üzemideje és a korábbi kalibrációs görbéje törölve vannak.
<b>NO (NEM)</b>	Az érzékelőt ezzel a vezérlővel már volt kalibrálva.

12. Ha nem az opcionális nullapont-karibláló kazettát használja, helyezze vissza az érzékelőt a folyamatba, és nyomja meg az **Enter** gombot. A kimeneti jel visszatér aktív állapotba, és a mért minta érték megjelenik a képernyőn.

**Megjegyzés:** Ha a kimeneti üzemmód beállítása tart vagy átvitel, válassza ki a késleltetési időt, amely után a kimenet visszatér az aktív állapotba.

## Kalibrálás mintában

Az érzékelő a folyamatmintában maradhat.

1. Nyomja meg a **Menü** gombot és válassza ki az **ÉRZÉKELŐ BEÁLLÍTÁSA>KALIBRÁLÁS** menüpontot.
2. Ha a vezérlő biztonsági menüjében jelszó van beállítva, írja be a jelszót.
3. Válassza a **MINTA KAL.** lehetőséget, és nyomja meg az **Enter** gombot.
4. A kalibrálás során válassza ki az opciót a kimeneti jelhez:

Opció	Leírás
<b>ACTIVE (AKTÍV)</b>	A készülék a kalibrálási eljárás során elküldi a jelenleg mért kimeneti értéket.
<b>HOLD (TARTÁS)</b>	A kalibrálási eljárás során a készülék az érzékelő kimeneti értékét megtartja a jelenleg mért értéken.
<b>TRANSFER (ÁTVITEL)</b>	A kalibrálás során a készülék egy előre beállított kimeneti értéket küld. Az előre beállított érték megváltoztatásához olvassa el a vezérlő felhasználói kézikönyvét.

5. Amikor az érzékelő a mintában van, nyomja meg az **Enter** gombot. A mért érték jelenik meg. Várja meg, amíg az érték stabilizálódik, majd nyomja meg az **Enter** gombot.
6. Hitelesített másodlagos ellenőrző készülékkel mérje meg a minta koncentrációjának értékét. A mintában lévő szennyeződések elkerülése érdekében a mérést még a mintának az áramlási kamrába jutása előtt végezze el. A nyílombok használatával írja be ezt az értéket, ha eltér a megjelenített értéktől, és nyomja meg az **Enter** gombot.
7. Ellenőrizze a kalibráció eredményét:
  - **SIKERES** - az érzékelő kalibrálása sikerült, és a kalibrálási tényező megjelenik.
  - **SIKERTELEN** - az érték az elfogadható határértékeken kívül van. Tisztítsa meg az érzékelőt, és próbálja meg újra. A további tudnivalókat lásd: [Hibaelhárítás](#) oldalon 287.
8. Ha a kalibrálás sikeres volt, a folytatáshoz nyomja meg az **Enter** gombot.
9. Ha a **KALIBRÁLÁSI OPCÍÓK** menüben a kezelői azonosító opciójának beállítása **IGEN**, akkor adja meg a kezelői azonosítót. Lásd: [A kalibrációs opciók megváltoztatása](#) oldalon 287.
10. Az ÚJ ÉRZÉKELŐ képernyőn adja meg, hogy az érzékelő új-e vagy sem:

Opció	Leírás
<b>YES (IGEN)</b>	Az érzékelő ezzel a vezérlővel még nem volt kalibrálva. Az érzékelő üzemideje és a korábbi kalibrációs görbéje törölve vannak.
<b>NO (NEM)</b>	Az érzékelőt ezzel a vezérlővel már volt kalibrálva.

11. Amikor az érzékelő még a folyamatban van, nyomja meg az **Enter** gombot. A kimeneti jel visszatér aktív állapotba, és a mért minta érték megjelenik a képernyőn.

**Megjegyzés:** Ha a kimeneti üzemmód beállítása tart vagy átvitel, válassza ki a késleltetési időt, amely után a kimenet visszatér az aktív állapotba.

## A kalibrációs opciók megváltoztatása

Ebben a menüben a felhasználó kalibrálási emlékeztetőt vagy kezelői azonosítót állíthat be a kalibrációs adatokhoz.

1. Nyomja meg a **Menü** gombot és válassza ki az **ÉRZÉKELŐ BEÁLLÍTÁSA>KALIBRÁLÁS** menüpontot.
2. Ha a vezérlő biztonsági menüjében jelszó van beállítva, írja be a jelszót.
3. Válassza a **KAL. OPCIÓK** lehetőséget, és nyomja meg az **Enter** gombot.
4. A nyílombok használatával válasszon ki egy opciót, majd nyomja meg az **Enter** gombot.

Opció	Leírás
<b>KALIB EMLÉKEZT</b>	Emlékeztető beállítása a következő kalibráláshoz (nap, hónap vagy év) - a listáról válassza ki a szükséges késleltetést.
<b>OP ID ON CAL (KEZ AZON MEGAD)</b>	Kezelői azonosító megadása a kalibrálási adatokkal együtt - IGEN vagy NEM (alapértelmezett). Az azonosítót a kalibrálás során kell beírni.

## Karbantartás

### ▲ VESZÉLY

Többszörös veszély. A dokumentumnak az ebben a fejezetében ismertetett feladatokat csak képzett szakemberek végezhetik el.

## Tisztítás és szennyeződés eltávolítása

### ▲ VESZÉLY

Karbantartási művelet végzése előtt mindig szüntesse meg a vezérlő áramellátását.

Normál esetben az analizátornak nincs szüksége tisztításra vagy a szennyeződés eltávolítására. Ha szükséges, tisztítsa meg a készülék külsejét enyhe szappanos oldatba mártott ruhával. A készülék, beleértve a kijelző és bármely tartozék tisztításához soha ne használjon tisztítószert, például terpentint, acetont vagy hasonló termékeket.

## Hibaelhárítás

### Figyelmeztetések listája

A figyelmeztető ikon egy háromszögben található felkiáltójelből áll. A figyelmeztető ikonok a fő kijelző jobb oldalán, a mérési érték alatt jelennek meg. A figyelmeztetések nem befolyásolják a menük, relék, illetve a kimenetek működését. A figyelmeztetések megtekintéséhez nyomja meg a **Menü** gombot, majd válassza a **DIAGNOSZTIKA** elemet. Ezt követően válassza ki az eszközt a hozzá kapcsolódó problémák megtekintéséhez. A figyelmeztető ikon eltűnik a probléma megoldása vagy nyugtázása után.

A lehetséges figyelmeztetések listája itt található: [5. táblázat](#).

**5. táblázat Figyelmeztetések listája az oxigénmentesítő érzékelőkhöz**

Figyelmeztetés	Leírás	Felbontás
AZ O <sub>2</sub> -MENTESÍTŐ ÉRTÉKE TÚL MAGAS	A mért érték > 10000 ppm	Ellenőrizze, hogy az oxigénmentesítő (hidrazin vagy karbohidrazid) szintje a vízkészítményben az érzékelő üzemi határértékein belül van-e. Kalibrálja vagy cserélje ki az érzékelőt.
AZ O <sub>2</sub> -MENTESÍTŐ ÉRTÉKE TÚL ALACSONY	A mért érték < 0 ppm	Kalibrálja vagy cserélje ki az érzékelőt.

**5. táblázat Figyelmeztetések listája az oxigénmentesítő érzékelőkhöz (folytatás)**

Figyelmeztetés	Leírás	Felbontás
TEMP TOO HIGH (HŐM TÚL MAGAS)	A mért hőmérséklet > 50 °C	Csökkentse a minta hőmérsékletét.
TEMP TOO LOW (HŐM TÚL ALACSONY)	A mért hőmérséklet < 0 °C	Növelje a minta hőmérsékletét.
CURRENT TOO HIGH (túl nagy áramerősség)	A mért áramerősség > 200 mA	Ellenőrizze, hogy az oxigénmentesítő (hidrazin vagy karbohidrazid) szintje a vízkészítményben az érzékelő üzemi határértékein belül van-e. Kalibrálja vagy cserélje ki az érzékelőt.
CURRENT TOO LOW (túl kicsi áramerősség)	A mért áramerősség < -0,5 mA	Kalibrálja vagy cserélje ki az érzékelőt.
KALIB ESEDÉKES	A kalibrációs emlékeztető ideje lejárt	Kalibrálja az érzékelőt.
SZENZOR CSERE	Az érzékelő már több mint 365 napja működik.	Cserélje ki az érzékelő patront, és kalibrálja az érzékelőt. Ha a kalibrációs eredmény megfelelő, nullázza a membrán napokat a DIAG/TESZT menüben.
NEM KALIBRÁLT	Az érzékelő nem volt még kalibrálva.	Kalibrálja az érzékelőt.
KAL MEGY	A kalibráció elindult, de nem fejeződött be	Visszatérés a kalibráláshoz.

## Cserealkatrészek és tartozékok

A vezérlő cserealkatrészeivel és tartozékaival kapcsolatos tudnivalókat lásd a vezérlő dokumentációjának Cserealkatrészek és tartozékok című fejezetében.

**Megjegyzés:** A termék- és cikkszámok értékesítési régióként eltérhetnek. Lépjen kapcsolatba a megfelelő viszonteladóval vagy látogasson el a cég honlapjára a kapcsolattartási tudnivalókért.

### Tartalék alkatrész készlet 2 évre - 09186=A=8000

Leírás	Mennyiség	Cikksz.
Szűrő	6	363877,06000
Referencia elektróda	1	368429,00000
Venturi befecskendező fúvóka	1	359090,00024
O-gyűrű a Venturi befecskendező fúvókához	1	356099,05090
Műanyag tisztítógolyók	7	588801,75008
4 × 6 mm PE-cső	2 méteres	151575,00006

### Mérőkamra

Leírás	Cikksz.
Mérőkamra	09186=A=0100
Referencia elektróda	368429,00000
Működő elektróda	09186=A=0300
Beömlőnyílás könyökcső szerelvénye G1/8 DN 4/6	359103,10070



## Mérőkamra (folytatás)

Leírás	Cikksz.
Kiömlőnyílás szerelvénye G1/8 DN6/8	359103,10055
Dugó NPT1/8	431=201=018
Kondicionáló palack berendezéssel	09186=A=0200
Barna üveg palack	490=010=011
Porózus kazetta	09073=C=0340
Szerelvény G1/8 DN4/6	359103,10065
Felszerelt áramlássebesség-vezérlő	09186=A=0400
Beömlőnyílás szerelvénye G1/4 DN4/6	587=006=002
Rövid könyökcső szerelvény G1/4 DN4/6	359103,10072
Hosszú könyökcső szerelvény G1/4 DN4/6	587=906=002
Áramlásmérő	694=000=001
Könyökcső szerelvény NPT1/8 DN4/6	359103,10170

## Tartozékok

Leírás	Cikksz.
Kazetta vegyi nullapont kalibrálásához	09186=A=0600

# Содержание

Характеристики на стр. 290

Общая информация на стр. 292

Монтаж на стр. 295

Startup (Запуск) на стр. 305

Пользовательский интерфейс и навигация  
на стр. 305

Принцип работы на стр. 308

Техническое обслуживание на стр. 311

Выявление и устранение неисправностей на стр. 311

Запасные части и принадлежности на стр. 312

## Расширенное руководство пользователя

Для получения дополнительной информации см. расширенную версию данного руководства, доступную на сайте производителя.

## Характеристики

Технические характеристики могут подвергаться изменениям без уведомления.

### Панельный монтаж

Характеристика	Данные
Габариты	817 x 300 x 140 мм (32,2 x 11,8 x 5,5 дюйма)
Масса	14,6 кг (32,15 фунта)
Расход пробы	10—15 л/ч
Рабочее давление	0,5—6 бар (7—87 фунт/кв. дюйм)
Окружающая температура	0—60 °C (-32—140 °F)
Относительная влажность	10—90%
Рабочий электрод	Платиновый
Противоэлектрод	Нержавеющая сталь
Опорный	Ag / AgCl / KCl 0.1 M
Измерительная ячейка	Полиакрил
Кондиционер пробы	DIPA (диизопропиламин)
Европейские стандарты	EN 61326, класс А для ЭМС; EN 601010-1 для безопасности низковольтных устройств
Международные стандарты	cETLus

### Датчик


Характеристика	Данные
Диапазон измерений	0—500 ppb для гидразина; 0—100 ppb для карбазида
Чувствительность	< 0,2 ppb
Повторяемость	± 1 ppb или ± 2% показания, в зависимости от того, что больше
Нижний предел количественного обнаружения	≤ 1 ppb

Характеристика	Данные
Быстродействие	< 60 с
Диапазон измерений температуры пробы	5—45 °C (41—113 °F)

## Контроллер

Характеристика	Данные
Описание компонентов	Контроллер с меню под управлением микропроцессора, управляющий датчиком и отображающий результаты измерений.
Рабочая температура	От -20 до 60 °C; относительная влажность 95% без конденсации при нагрузке на датчике до 7 Вт; от -20 до 50 °C при нагрузке на датчике до 28 Вт
Температура хранения	От -20 до 70 °C; относительная влажность 95% без конденсации
Корпус <sup>1</sup>	Металлический корпус NEMA 4X/IP66 с антикоррозийным покрытием
Требования к электропитанию	<p><b>AC powered controller:</b> 100-240 В переменного тока ±10%, 50/60 Гц; мощность 50 Вт при нагрузке модуля датчика/сетевого модуля 7 Вт, 100 Вт при нагрузке модуля датчика/сетевого модуля 28 Вт (возможность сетевого подключения Modbus, RS232/RS485, Profibus DPV1 или HART).</p> <p><b>Контроллер с питанием 24 В постоянного тока:</b> 24 В пост. тока —15%, +20%; мощность 15 Вт при нагрузке модуля датчика/сетевого модуля 7 Вт, 40 Вт при нагрузке модуля датчика/сетевого модуля 28 Вт (возможность сетевого подключения Modbus, RS232/RS485, Profibus DPV1 или HART).</p>
Высота эксплуатации	2000 м (6562 футов) над уровнем моря
Степень загрязнения/категория установки	Степень загрязнения 2; категория монтажа II
Выходы	Два аналоговых выхода (0-20 мА или 4-20 мА). Каждый выходной сигнал может быть назначен для измеряемого параметра, например: pH, температура, расход или расчетные значения. Опциональный модуль подает три дополнительных аналоговых выходных сигнала (всего 5).
Реле	Четыре однополюсных реле на два направления, настраиваемые пользователем контакты рассчитаны на максимальную резистивную нагрузку 250 В переменного тока, 5 А для контроллера с питанием переменного тока и на максимальную резистивную нагрузку 24 В пост. тока, 5 А для контроллера с питанием переменного тока. Реле предназначены для работы с источником питания переменного тока (т.е. при работе контроллера от сети 115 - 240 В переменного тока) или постоянного тока (т.е. при работе контроллера от источника питания 24 В пост. тока).
Габариты	½ DIN—144 x 144 x 180,9 мм (5,7 x 5,7 x 7,12")
Масса	1,7 кг (3,75 фунт)
Требования по ЭМС	EN61326-1: Директива по электромагнитной совместимости <i>Примечание: Это изделие класса А. В жилых помещениях данное изделие может создавать радиопомехи. В таком случае пользователю нужно предпринять соответствующие меры.</i>

<sup>1</sup> блоки, сертифицированные в соответствии с UL, предназначены для работы только в помещениях и не соответствуют уровню защиты NEMA 4X/IP66.

Характеристика	Данные
 Korean registration	<b>User Guidance for EMC Class A Equipment</b> 업무용을 위한 EMC 등급 A 장치에 대한 사용자 지침 사용자안내문 A 급 기기 ( 업무용 방송통신기자재 ) 이 기기는 업무용 ( A 급 ) 전자파적합기기로서 판매자 또는 사용자는 이 점을 주의하시기 바라며, 가정외의 지역에서 사용하는 것을 목적으로 합니다.
Соответствие нормам ЕС	EN61010-1: Директива по низковольтному оборудованию
Стандарт передачи данных в цифровом формате	Оptionальное сетевое подключение Modbus, RS232/RS485, Profibus DPV1 или HART для передачи данных
Регистрация данных	Карта памяти SD (макс. 32 ГБ) или специальный разъем кабеля RS232 для регистрации данных и выполнения обновления программы. Контроллер хранит приблизительно 20000 данным точек на датчик.
Гарантия	2 года

## Общая информация

Производитель ни при каких обстоятельствах не несет ответственности за прямой, не прямой, умышленный, неумышленный или косвенный ущерб в результате любых недочетов или ошибок, содержащихся в данном руководстве. Производитель оставляет за собой право вносить изменения в руководство или описанную в нем продукцию без извещений и обязательств. Все обновления можно найти на веб-сайте производителя.

## Указания по безопасности

### УВЕДОМЛЕНИЕ

Изготовитель не несет ответственности за любые повреждения, вызванные неправильным применением или использованием изделия, включая, помимо прочего, прямой, неумышленный или косвенный ущерб, и снимает с себя ответственность за подобные повреждения в максимальной степени, допускаемой действующим законодательством. Пользователь несет исключительную ответственность за выявление критических рисков в работе и установку соответствующих механизмов для защиты обследуемой среды в ходе возможных неполадок оборудования.

Внимательно прочтите все руководство пользователя, прежде чем распаковывать, устанавливать или вводить в эксплуатацию оборудование. Соблюдайте все указания и предупреждения относительно безопасности. Их несоблюдение может привести к серьезной травме обслуживающего персонала или выходу из строя оборудования.

Чтобы гарантировать, что обеспечиваемая оборудованием защита не нарушена, не используйте или не устанавливайте данное оборудование никаким иным способом, кроме указанного в данном руководстве.

## Информация о потенциальных опасностях

### ▲ ОПАСНОСТЬ

Указывает на потенциально или неизбежно опасные ситуации, которые, если их не избежать, приведут к смерти или серьезным травмам.

### ▲ ПРЕДУПРЕЖДЕНИЕ

Указывает на потенциально или неизбежно опасные ситуации, которые, если их не избежать, могут привести к смерти или серьезным травмам.

### ▲ ОСТОРОЖНО








Указывает на потенциально опасную ситуацию, которая может привести к травмам малой и средней тяжести.

## УВЕДОМЛЕНИЕ

Указывает на ситуацию, которая, если ее не избежать, может привести к повреждению оборудования. Информация, на которую следует обратить особое внимание.

### Этикетки с предупредительными надписями

Прочтите все бирки и этикетки на корпусе прибора. При несоблюдении их требований возникает опасность телесных повреждений или повреждений прибора. Символ на приборе вместе с предостережением об опасности включен в руководство.

	Это символ предупреждения об опасности. Для предотвращения возможной травмы соблюдайте все меры по технике безопасности, отображаемые с настоящим символом. Если символ на приборе, см. руководство по эксплуатации или информацию по технике безопасности.
	Этот символ указывает на опасность поражения электрическим током и/или на возможность получения смертельной электротравмы.
	Этот символ указывает на наличие устройств, чувствительных к электростатическому разряду, и указывает, что следует быть очень внимательными во избежание их повреждения.
	Данное обозначение, нанесенное на продукт, означает, что прибор подключается к сети переменного тока.
	Возможен запрет на утилизацию электрооборудования, отмеченного этим символом, в европейских домашних и общественных системах утилизации. Пользователь может бесплатно вернуть старое или неработающее оборудование производителю для утилизации.
	Наличие данного символа на изделии означает содержание в изделии токсичных или вредных веществ или элементов. Число внутри символа обозначает длительность периода эксплуатации, безопасной для окружающей среды, в годах.
	Наличие данного символа на изделии означает, что изделие соответствует стандартам электромагнитной совместимости (EMC) Южной Кореи.

### Сертификаты

#### Канадские нормативные требования к оборудованию вызывающему помехи, IECIS-003, класс A:

Прилагающиеся протоколы испытаний находятся у производителя.

Данное цифровое устройство класса А отвечает всем требованиям канадских норм относительно вызывающего помехи оборудования.

#### Правила FCC, часть 15, ограничения класса "А"

Прилагающиеся протоколы испытаний находятся у производителя. Данное устройство соответствует требованиям части 15 правил FCC. Эксплуатация может производиться при выполнении двух следующих условий:

1. Устройство не должно создавать опасные помехи.
2. Устройство должно допускать любое внешнее вмешательство, в том числе способное привести к выполнению нежелательной операции.

Изменения и модификации данного устройства без явного на то согласия стороны, ответственной за соответствие стандартам, могут привести к лишению пользователя прав на эксплуатацию данного устройства. Результаты испытаний данного устройства свидетельствуют о соответствии ограничениям для цифровых устройств класса "А", изложенным в части 15 правил FCC. Данные ограничения предназначены для обеспечения разумной защиты от вредных помех при работе оборудования в коммерческой среде. Данное устройство генерирует, использует и может излучать радиочастотную энергию, и в случае

установки и использования вопреки требованиям руководства по эксплуатации может стать источником помех, опасных для устройств радиосвязи. Эксплуатация данного устройства в населенных пунктах может привести к возникновению опасных помех – в этом случае пользователь будет обязан устранить их за свой счет. Для сокращения помех можно использовать следующие методы:

1. Отсоедините устройство от источника питания, чтобы убедиться, что именно оно является источником помех.
2. Если устройство подключено к той же розетке, что и прибор, при работе которого наблюдаются помехи, подключите устройство к другой розетке.
3. Переместите устройство подальше от прибора, для работы которого он создает помехи.
4. Поменяйте положение антенны другого устройства, принимающего помехи.
5. Попробуйте разные сочетания указанных выше мер.

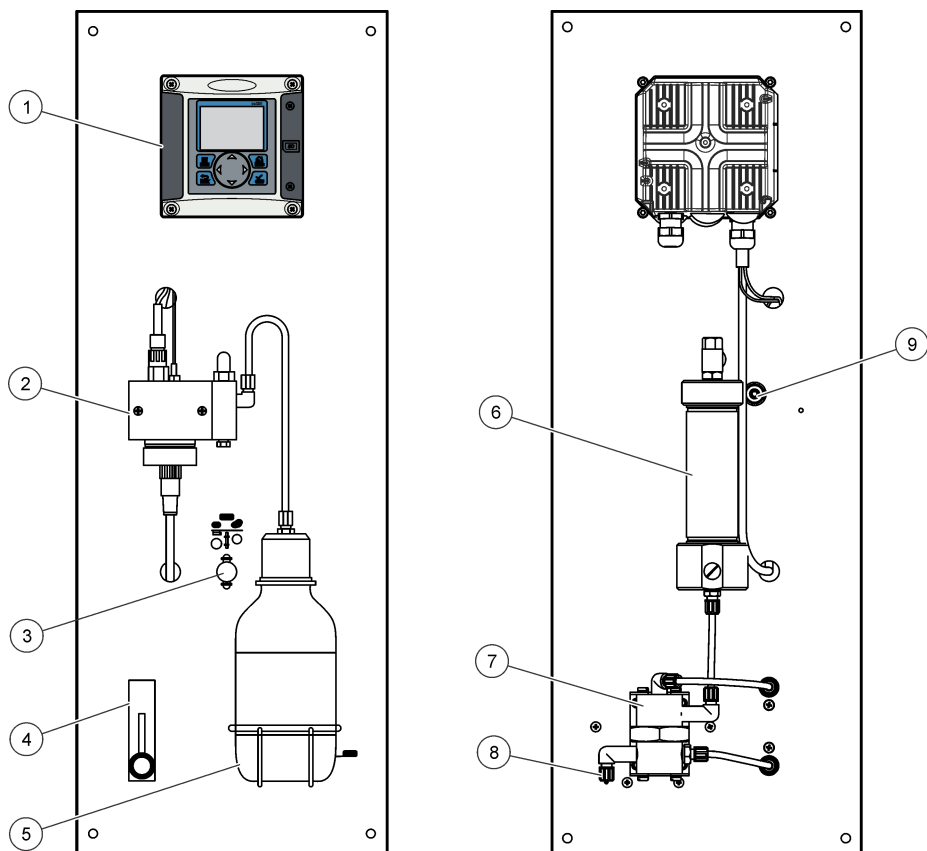
## **Комплектация изделия**

Убедитесь в том, что получены все компоненты прибора. Если какой-либо элемент отсутствует либо поврежден, свяжитесь с изготовителем или торговым представителем.

## Основные сведения об изделии

Анализатор предназначен для непрерывного измерения количества поглотителя кислорода (гидразина или карбазида) в воде.

Рисунок 1 Вид спереди и сзади



1 Контроллер	6 Картридж для калировки химического нуля (опция)
2 Измерительная ячейка	7 Регулятор давления
3 Включение/выключение калировки химического нуля (опция)	8 Впускная пробоотборная трубка 4/6 мм
4 Расходомер	9 Пробоотборная дренажная трубка 6/8 мм, атмосферное давление
5 Сосуд для кондиционирования пробы (DIPA)	

## Монтаж

### ▲ ОСТОРОЖНО



Различные опасности. Работы, описываемые в данном разделе, должны выполняться только квалифицированным персоналом.

## Установка анализатора

### **▲ ОСТОРОЖНО**

Риск получения травмы. Приборы или компоненты могут иметь большой вес. Для установки или перемещения используйте помощь. Убедитесь, что стена, на которой монтируется оборудование, способна выдерживать вес, который превышает вес оборудования в 4 раза.

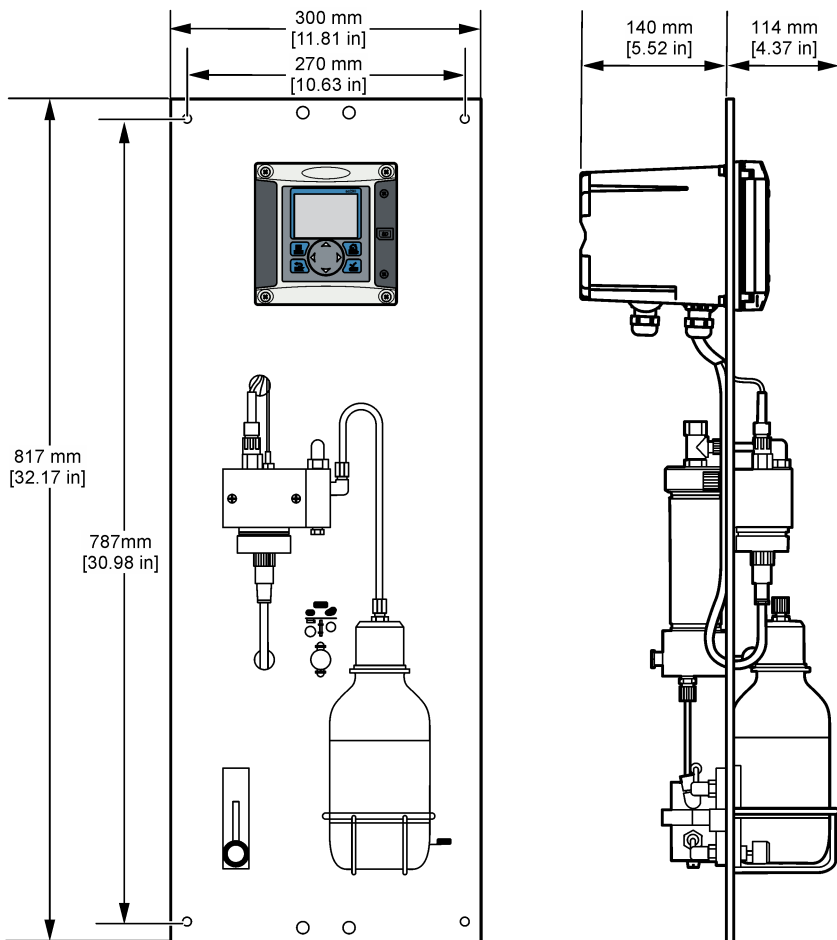
### **УВЕДОМЛЕНИЕ**

Анализатор необходимо выровнять по вертикали для обеспечения точности измерений.

Закрепите анализатор на стабильной, вертикальной поверхности. С помощью уровня убедитесь, что анализатор расположен полностью вертикально. См. нижеследующие рекомендации.

- Поместите прибор в место, обеспечивающее доступ для работы, обслуживания и калибровки.
- Убедитесь, что дисплей и органы управления хорошо видны.
- Держите прибор вдали от источников тепла.
- Держите прибор вдали от вибраций.
- Трубопровод для отбора проб должен быть как можно короче для минимизации времени отклика.
- Убедитесь, что в пробоотборной питающей линии отсутствует воздух.



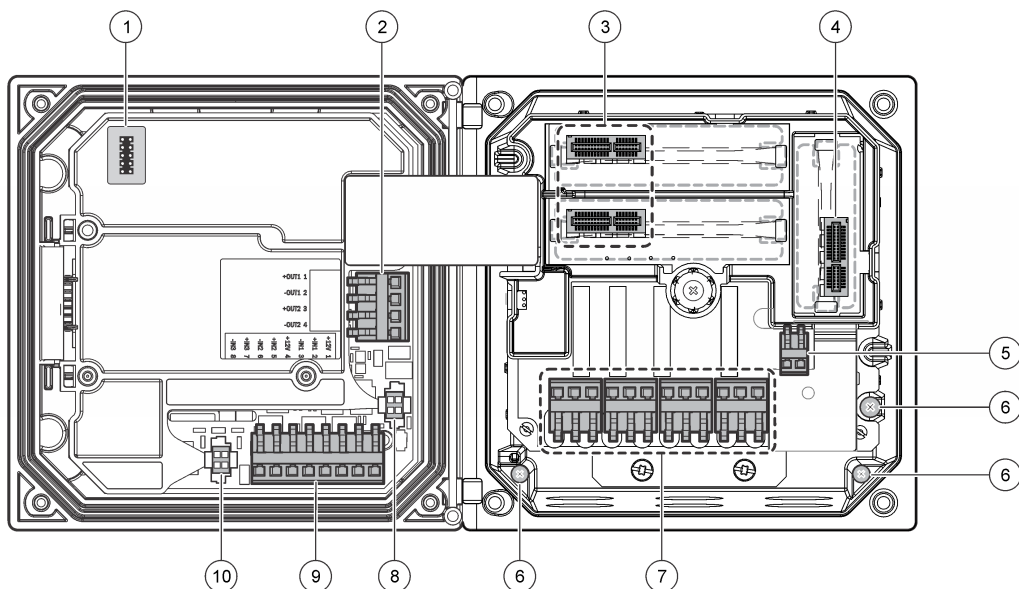


## Схема соединений

На [Рисунок 2](#) приводится общий вид соединений внутри контроллера со снятым высоковольтным экраном. В левой части рисунка показана обратная сторона крышки контроллера.

**Примечание:** перед установкой модуля удалите колпачки разъемов.

Рисунок 2 Схема соединений



1 Подключение сервисного кабеля	5 Разъемы питания переменного и постоянного тока <sup>2</sup>	9 Соединитель проводки, дискретный вход <sup>2</sup>
2 Выход 4-20 мА <sup>2</sup>	6 Клеммы заземления	10 Разъем цифрового датчика <sup>2</sup>
3 Разъем модуля датчика	7 Клеммы реле <sup>2</sup>	
4 Разъем коммуникационного модуля (напр., Modbus, Profibus, HART, опциональный модуль 4-20 мА и др.)	8 Разъем цифрового датчика <sup>2</sup>	

### Высоковольтный экран

Высоковольтные кабели контроллера находятся за экраном высокого напряжения в корпусе контроллера. Экран должен находиться на месте, за исключением случаев установки модулей или выполняемых квалифицированным инженером работ с кабелями питания, сигнализации, выходов или реле. Запрещается снимать экран, если контроллер находится под напряжением.

### Разводка питания

#### ▲ ПРЕДУПРЕЖДЕНИЕ



Потенциальная опасность смертельного электропоражения. При выполнении работ по электромонтажу всегда отключайте питание от прибора.

#### ▲ ПРЕДУПРЕЖДЕНИЕ



Потенциальная опасность смертельного электропоражения. При использовании прибора на открытом воздухе, в условиях потенциальной повышенной влажности, может произойти **короткое замыкание**, поэтому необходимо использовать специальные приспособления для подключения устройства к электросети.

<sup>2</sup> Для облегчения доступа клеммы можно снять.

## ⚠ ОПАСНОСТЬ



Опасность смертельного электропоражения. Не подключайте модель, требующую напряжения 24 В, к сети переменного тока.

## ⚠ ПРЕДУПРЕЖДЕНИЕ



Потенциальная опасность смертельного электропоражения. Защитное заземление (PE) требуется для электропроводки от 100 до 240 В пер. тока и 24 В пост. тока. Отсутствие хорошего защитного заземления может привести к поражению электрическим током и плохой работе вследствие электромагнитных помех. ВСЕГДА подключайте надежное защитное заземление к зажиму контроллера.

## УВЕДОМЛЕНИЕ

Устанавливайте прибор таким образом, чтобы его удобно было в любой момент отсоединить или выключить.

Контроллер выпускается в модификациях на 100-240 В~ и на 24 В=. Необходимо следовать инструкциям по разводке питания для приобретенной модели.

Контроллер может подключаться к линии питания непосредственно или при помощи кабеля питания. Независимо от типа монтажа подключение выполняется к одним и тем же клеммам. Локальное отключение должно отвечать требованиям местных электротехнических правил и норм и должно быть определено для всех типов установок. В случаях фиксированного подключения линии питания и заземления для прибора должны соответствовать от 18 до 12 AWG. Убедитесь, что изоляция кабеля рассчитана на температуру минимум 80 °C (176 °F).

### Примечания:

- Перед выполнением любых электрических соединений высоковольтный экран должен быть снят. По завершении всех соединений высоковольтный экран необходимо вернуть на место перед закрытием крышки контроллера.
- Для защиты от воздействия окружающей среды по классу NEMA 4X/IP66 могут использоваться герметичная кабельная разгрузка и кабель питания длиной не более 3 метров с тремя проводами диаметра 18 (в том числе провод заземления).
- Контроллер можно заказать с предустановленным кабелем питания переменного тока. Можно также заказать дополнительные кабели питания.
- Источник питания для контроллера с питанием 24 В= должен обеспечивать постоянство напряжения 24 В= в пределах -15% +20%. Источник питания постоянного тока должен также обеспечивать необходимый уровень защиты от скачков и подъемов напряжения в сети.

### Процедура подключения

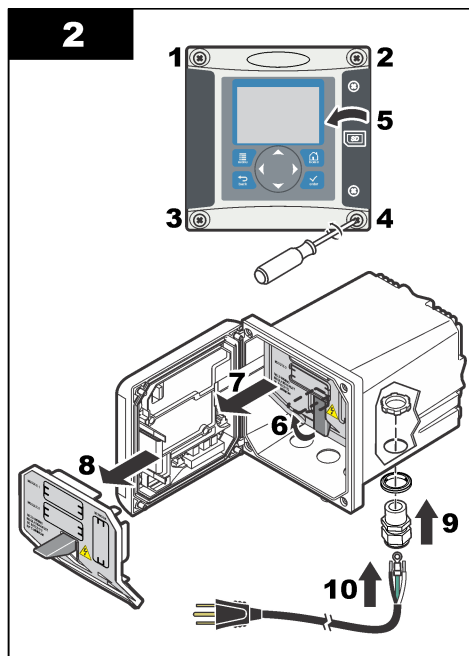
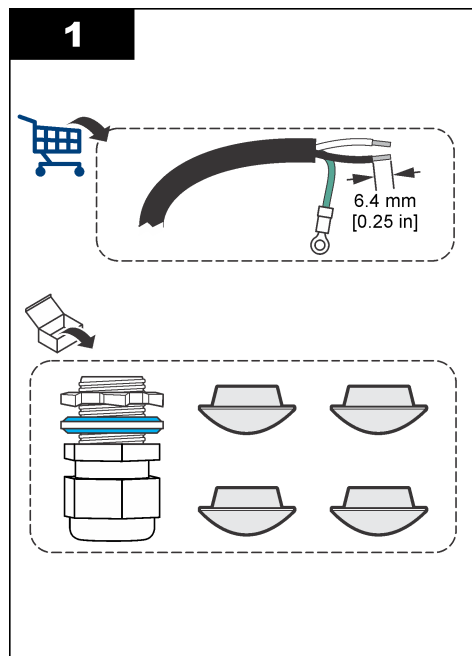
При подсоединении проводов питания контроллера необходимо следовать приведенным далее иллюстрированным инструкциям и см. [Таблица 1](#) или [Таблица 2](#). Каждый проводник вставляется в соответствующую клемму, так чтобы изоляция доходила до клеммы, не оставляя оголенного провода. Осторожно затяните клемму для обеспечения надежного контакта. Закройте все неиспользуемые отверстия в корпусе контроллера гермоводами кабельного канала.

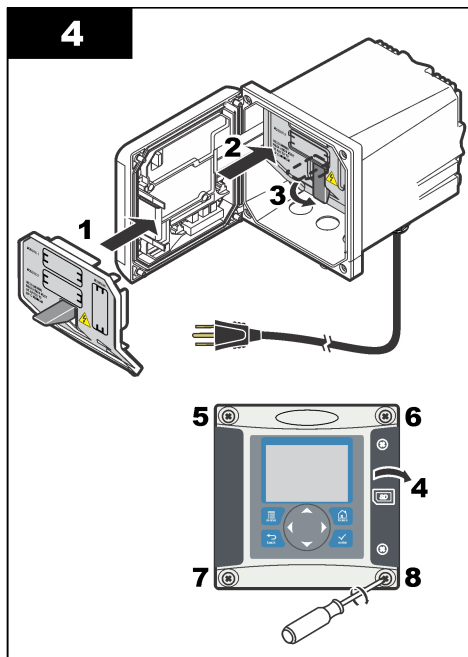
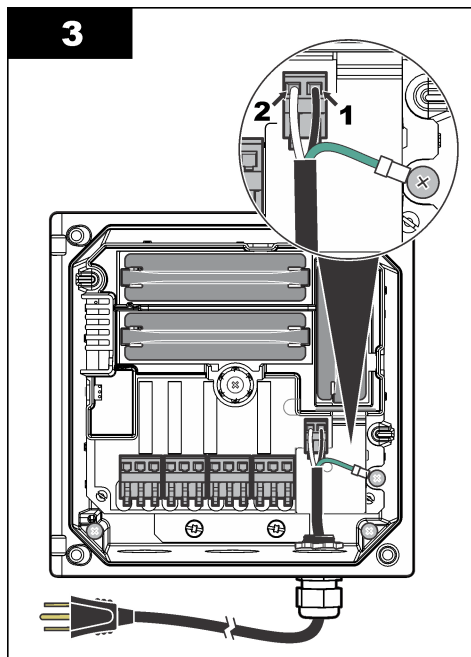
**Таблица 1 Информация по разводке питания переменного тока (только для моделей с питанием переменного тока)**

Клемма	Описание	Цвет — Северная Америка	Цвет — ЕС
1	Фаза (L1)	Черный	Коричневый
2	Нейтраль (N)	Белый	Синий
—	Проушина защитного заземления (PE)	Зеленый	Зеленый с желтой полоской

**Таблица 2 Информация по разводке питания постоянного тока (только для моделей с питанием постоянного тока)**

Клемма	Описание	Цвет — Северная Америка	Цвет — ЕС
1	+24 В пер. тока	Красный	Красный
2	Обратный провод 24 В пост. тока	Черный	Черный
—	Провод заземления (PE)	Зеленый	Зеленый с желтой полоской





### Сигнализация и реле

Контроллер снабжен четырьмя однополюсными реле без питания, рассчитанными на максимальную резистивную нагрузку 100-250 В~, 50/60 Гц, 5 А. Контакты рассчитаны на максимальную резистивную нагрузку 100-250 В~, 5 А для контроллера с питанием переменного тока и на максимальную резистивную нагрузку 24 В=, 5 А для контроллера с питанием переменного тока. Реле не рассчитаны на индуктивную нагрузку.

### Подключение реле

#### ▲ ПРЕДУПРЕЖДЕНИЕ



Потенциальная опасность смертельного электропоражения. При выполнении работ по электромонтажу всегда отключайте питание от прибора.

#### ▲ ПРЕДУПРЕЖДЕНИЕ



Потенциальная опасность возникновения пожара. Контакты реле рассчитаны на ток 5 А и не защищены предохранителем. Внешняя нагрузка, подключаемая к реле, должна иметь устройство ограничения тока не выше 5 А.

#### ▲ ПРЕДУПРЕЖДЕНИЕ



Потенциальная опасность возникновения пожара. Не рекомендуется часто переключать общие контакты реле или перемычки от сетевого источника питания внутри устройства.

#### ▲ ПРЕДУПРЕЖДЕНИЕ



Потенциальная опасность смертельного электропоражения. Для обеспечения защиты корпуса от воздействия окружающей среды по классу NEMA/IP для ввода кабелей в устройство рекомендуется использовать только разъемы и сальники кабелей класса не ниже NEMA 4X/IP66.

### Контроллеры с питанием переменного тока (100—250 В)

## ⚠ ПРЕДУПРЕЖДЕНИЕ



Опасность поражения электрическим током. Реле контроллера с питанием от сети переменного тока (115 В –230 В) предназначены для включения в цепи питания переменного тока (напр., напряжений ниже 16 В — действующего, 22,6 В — пикового, 35 В — постоянного тока).

Отсек для кабелей не рассчитан для подключения к источникам напряжения свыше 250 В~.

### Контроллеры с питанием 24 В=

## ⚠ ПРЕДУПРЕЖДЕНИЕ



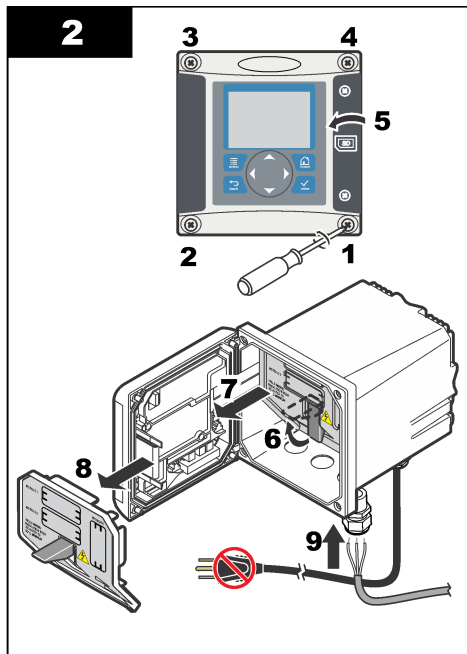
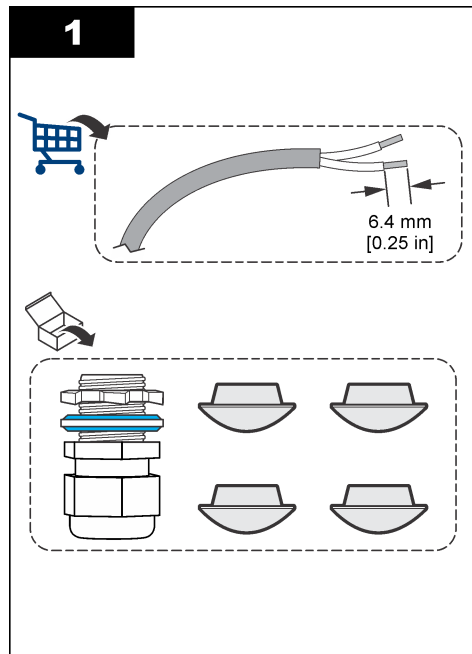
Опасность поражения электрическим током. Реле контроллера с питанием 24 В пост. тока предназначены для подключения к схемам низкого напряжения (напр., напряжений ниже 16 В — действующего, 22,6 В — пикового, 35 В — постоянного тока).

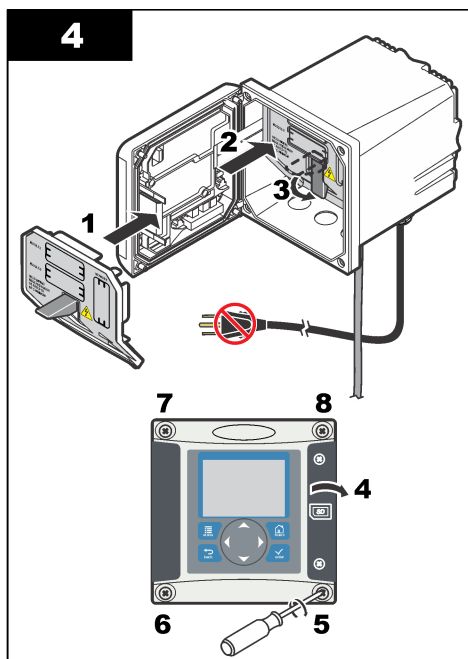
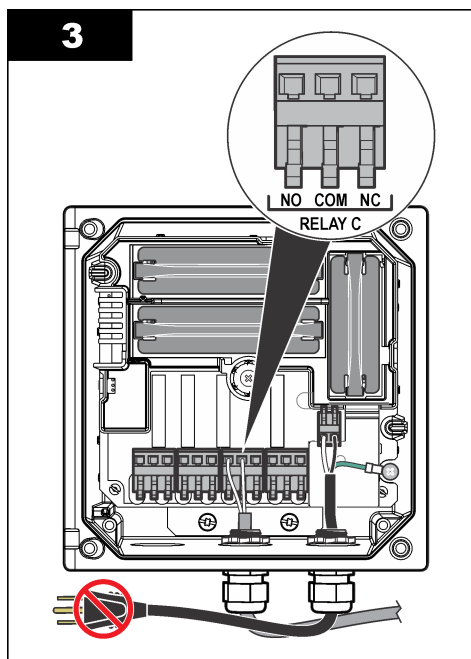
Реле контроллера с питанием 24 В пост. тока предназначены для подключения к схемам низкого напряжения (напр., напряжений ниже 30 В — действующего, 42,2 В — пикового, 60 В — постоянного тока). Отсек для кабелей не рассчитан на подключение к источникам более высокого напряжения.

Разъем реле допускает подключение провода диаметром 18-12 AWG (с сечением от 0,75 до 4 мм<sup>2</sup>) (что определяется используемой нагрузкой). Не рекомендуется использовать провод диаметром менее 18 AWG. Убедитесь, что изоляция кабеля рассчитана на температуру минимум 80 °С (176 °F).

Нормально разомкнутые (NO) и общие (COM) контакты реле замыкаются при аварийном сигнале или ином соответствующем условии. Нормально замкнутые (NC) и общие контакты реле замкнуты, если аварийный сигнал или иное соответствующее условие отсутствуют (кроме случаев, когда включен (установлен на "Yes") режим безопасного выхода из строя) или когда выключено питание контроллера.

В большинстве случаев подключения реле используются либо клеммы NO и COM, либо клеммы NC и COM. На пронумерованных схемах показаны этапы подключения к клеммам NO и COM.





### Подключение аналоговых выходов

#### ▲ ПРЕДУПРЕЖДЕНИЕ



Потенциальная опасность смертельного электропоражения. При выполнении работ по электромонтажу всегда отключайте питание от прибора.

#### ▲ ПРЕДУПРЕЖДЕНИЕ



Потенциальная опасность смертельного электропоражения. Для обеспечения защиты корпуса от воздействия окружающей среды по классу NEMA/IP для ввода кабелей в устройство рекомендуется использовать только разъемы и сальники кабелей класса не ниже NEMA 4X/IP66.

В устройстве имеются два изолированных аналоговых выхода (1 и 2), см. (Рисунок 3). Эти выходы обычно используются для передачи аналоговых сигналов или для управления другими внешними устройствами.

Подключите кабели к контроллеру, как показано на Рисунок 3 и в Таблица 3.

**Примечание:** На Рисунок 3 показана задняя сторона крышки контроллера, а не внутренние элементы основного отсека контроллера.

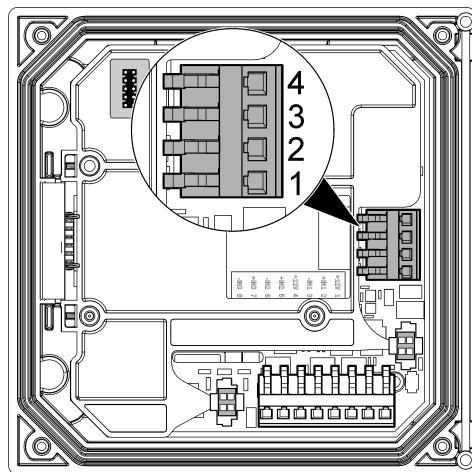
Таблица 3 Подключения выходов

Кабели устройства записи	Положение на монтажной плате
Выход 2–	4
Выход 2+	3
Выход 1–	2
Выход 1+	1

1. Откройте крышку контроллера.
2. Пропустите кабели через кабельную разгрузку.

3. Отрегулируйте положение кабелей и затяните кабельный фиксатор.
4. Выполните подключения при помощи экранированной витой пары и подключите экран со стороны управляемого элемента или со стороны контура управления.
  - Не подключайте экран с обоих концов кабеля.
  - При использовании неэкранированного кабеля может испускаться радиочастотное излучение или уровень восприимчивости может оказаться выше допустимого.
  - Максимальное сопротивление контура составляет 500 Ом.
5. Закройте крышку контроллера и затяните винты крышки.
6. Настройте выходы контроллера.

**Рисунок 3 Подключение аналоговых выходов**



### **Подключение опционального цифрового коммуникационного выхода**

Производителем поддерживаются коммуникационные протоколы Modbus RS485, Modbus RS232, Profibus DPV1 и HART. Опциональный цифровой коммуникационный модуль устанавливается в месте, обозначенном цифрой 4 на [Рисунок 2](#) на стр. 298. Для получения более подробных сведений см. инструкцию к сетевому модулю.

### **Соедините пробоотборную и дренажную линии**

Подключите пробоотборную и дренажную линии к фитингам на задней части панели.

1. Подключите пробоотборную линию к входному трубчатому фитингу наружным диаметром 4/6 мм.
2. Подключите дренажную линию к дренажному трубчатому фитингу наружным диаметром 6/8 мм. Старайтесь, чтобы дренажная линия была как можно короче при атмосферном давлении.



## Установка реагентов

### ▲ ПРЕДУПРЕЖДЕНИЕ



Химическая опасность взрыва. Необходимо соблюдать правила техники безопасности и использовать индивидуальные средства защиты, соответствующие используемым химикатам. При составлении протоколов по технике безопасности воспользуйтесь действующими паспортами безопасности / паспортами безопасности материалов (MSDS/SDS).

1. Заполните пустой баллон для кондиционирования пробы DIPA (диизопропиламин) и внесите информацию опасных реагентов в пустую этикетку, прикрепленную к баллону.
2. Установите баллон для кондиционирования пробы (диизопропиламин) в переднюю часть анализатора.
3. Подключите входящую в комплект трубку к измерительной ячейке. Поместите трубку полностью в баллон с кондиционирующим раствором. Убедитесь, что фитинги на трубках плотно прилегают — это предотвратит утечку испарений из кондиционирующего раствора в атмосферу.
4. При использовании химического нулевого картриджа установите картридж в задней части анализатора.

## Startup (Запуск)

Убедитесь, что скорость потока и давление не превышают значений, указанных в [Характеристики](#) на стр. 290.

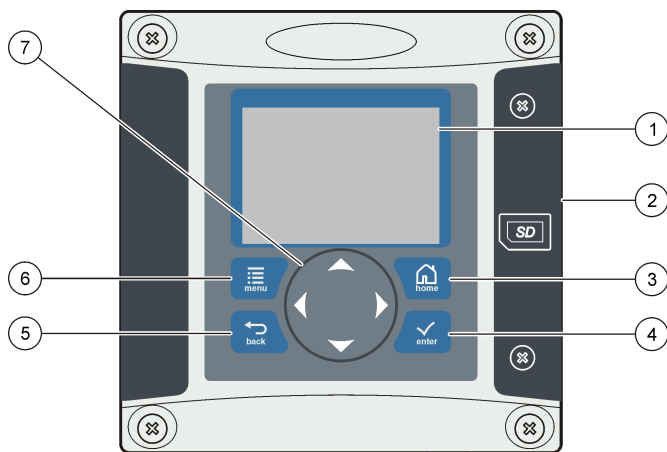
1. Откройте клапан на пробоотборной линии, чтобы открыть поток проб через анализатор.
2. Поверните ручку на расходомере, чтобы задать скорость потока.
3. Осмотрите трубопровод на наличие протечек и остановите протечки в случае их обнаружения.
4. Включите питание контроллера.
5. Когда запустится контроллер, произведите соответствующий выбор в меню.

## Пользовательский интерфейс и навигация

### Пользовательский интерфейс

На клавиатуре имеется четыре клавиши меню и четыре клавиши направлений, как показано на [Рисунок 4](#).

**Рисунок 4 Обзор клавиатуры и передней панели**



1 Дисплей прибора	5 Клавиша <b>BACK</b> (Назад). Для перехода на один уровень назад в структуре меню.
2 Крышка гнезда SD-карты памяти	6 Клавиша <b>MENU</b> (Меню). Для перехода к меню настроек из других экранов и подменю.
3 Клавиша <b>HOME</b> (Начальный экран). Для перехода на начальный экран измерений с других экранов и из подменю.	7 Клавиши направлений. Для перехода по меню, изменения настроек, увеличения и уменьшения числовых значений.
4 Клавиша <b>ENTER</b> (Ввод). Для подтверждения входных данных, обновлений и выведенных опций меню.	

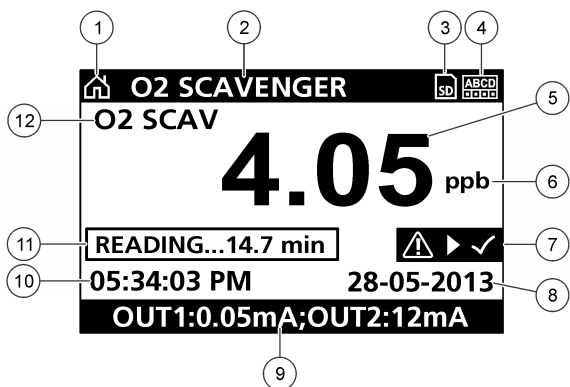
Входы и выходы задаются и настраиваются с передней панели при помощи клавиатуры и экрана дисплея. Пользовательский интерфейс используется для задания и настройки входов и выходов, создания данных журнала, расчета значений и калибровки датчиков. Интерфейс SD можно использовать для записи данных журнала и обновления программного обеспечения.

## Дисплей

На [Рисунок 5](#) показан пример основного экрана измерений с датчиком, подключенным к контроллеру.

На передней панели дисплея выводятся данные измерений датчика, параметры калибровки и настройки, сообщения об ошибках, предупреждения и другие данные.

Рисунок 5 Пример главного экрана измерений



1 Значок начального экрана	7 Строка статуса предупреждений
2 Наименование датчика	8 Дата
3 Значок карты памяти SD	9 Значения аналоговых выходов
4 Индикатор состояния реле	10 Время
5 Результат измерения	11 Индикатор выполнения
6 Единица измерения	12 Параметр измерения

Таблица 4 Описания значков

Значок	Описание
Начальный экран	Значок может меняться в зависимости от отображаемого меню. Например, если установлена SD-карта, то выводится значок SD-карты при входе пользователя в меню "Настройка SD-карты".
Карта памяти SD	Значок появляется, только если SD-карта установлена в гнездо устройства чтения. Если пользователь находится в меню "Настройка SD-карты", этот значок появляется в верхнем левом углу.
Предупреждение	Значок предупреждения представляет собой восклицательный знак в треугольнике. Значки предупреждений появляются на главном экране справа, ниже измеренного значения. Нажмите клавишу <b>ENTER</b> (Ввод), затем выберите устройство, чтобы посмотреть, какие проблемы связаны с этим устройством. Значок предупреждения исчезнет после того, как будут устранены все проблемы или подтверждено прочтения уведомлений о них.
Ошибка	Значок ошибки представляет собой восклицательный знак в круге. Когда случается ошибка, на главном экране поочередно мигают значок ошибки и экран измерений. Для просмотра ошибок нажмите клавишу <b>MENU</b> (Меню) и выберите <b>Diagnostics</b> (Диагностика). Затем выберите устройство, чтобы увидеть проблемы, связанные с этим устройством.

### Дополнительные форматы отображения

- Main Measurement (Основные измерения) нажимайте клавиши со стрелками **ВВЕРХ** и **ВНИЗ** для переключения между параметрами измерений
- На экране Main Measurement (Основные измерения) нажмите клавишу со стрелкой **ВПРАВО**, чтобы переключиться к разделенному дисплею, который содержит до 4 параметров измерения. Нажмите кнопку со стрелкой **ВПРАВО**, чтобы включить дополнительные измерения. При необходимости нажмите кнопку со стрелкой **ВЛЕВО**, чтобы вернуться к экрану Main Measurement (Основные измерения)

- На экране Main Measurement (Основные измерения) нажмите кнопку со стрелкой **ВЛЕВО**, чтобы переключиться к графическому дисплею (см. [Графическое отображение](#) на стр. 308, чтобы определить параметры). Нажимайте кнопки со стрелками **ВВЕРХ** и **ВНИЗ**, чтобы переключать графики измерений

## Графическое отображение

График показывает измерения концентрации и температуры для каждого используемого канала. График обеспечивает легкость наблюдения за тенденциями и отображает изменения в процессе.

1. На экране графического дисплея выберите график с помощью клавиш со стрелками вверх и вниз и нажмите кнопку **HOME** (Главная).
2. Выберите вариант:

Опция	Описание
<b>РЕЗУЛЬТАТ ИЗМЕРЕНИЯ</b>	Укажите значение измерения для выбранного канала. Выберите между автомасштабированием и ручным масштабированием. При выборе ручной шкалы введите минимальное и максимальное значение измерений
<b>DATE &amp; TIME RANGE (ДИАПАЗОН ДАТ И ВРЕМЕНИ)</b>	Выберите диапазон дат и времени из предложенных вариантов

## Принцип работы

### Настройка датчика

Используйте меню CONFIGURE (КОНФИГУРИРОВАНИЕ) для ввода идентификационной информации датчика и изменения опций обработки и хранения данных.

1. Нажмите клавишу **menu (меню)** и выберите пункт SENSOR SETUP>CONFIGURE (НАСТРОЙКА ДАТЧИКА>КОНФИГУРИРОВАТЬ).
2. Используйте клавиши со стрелками для выбора пункта и нажмите клавишу **ввод**. Для ввода цифр, букв или знаков препинания, нажмите и удерживайте клавиши со стрелками **вверх** или **вниз**. Нажмите клавишу со стрелкой **вправо** для перемещения на следующую позицию.

Опция	Описание
<b>EDIT NAME (РЕДАК. ИМЕНИ)</b>	Изменяет имя, которое соответствует датчику наверху экрана измерений. Имя может содержать не более 16 символов в любой комбинации: буквы, цифры, пробелы и знаки препинания.
<b>SENSOR S/N (С/Н ДАТЧ)</b>	Позволяет пользователю ввести серийный номер датчика, не более 16 символов в любой комбинации: буквы, цифры, пробелы или знаки препинания.
<b>MEAS UNITS (ЕД. ИЗМЕР)</b>	Изменяет единицы измерения. — Выберите единицы из имеющегося списка.
<b>TEMP UNITS (ЕД. ТЕМПЕРАТ.)</b>	Устанавливает единицы измерения температуры на °C (по умолчанию) или °F
<b>FILTER (ФИЛЬТР)</b>	Устанавливает постоянную времени для увеличения стабильности сигнала. В течение постоянной времени вычисляется среднее значение — 0 (не действует, по умолчанию) до 60 секунд (среднее значение сигнала за 60 секунд). Фильтр увеличивает время для реагирования сигнала датчика на фактические изменения в технологическом процессе.

Опция	Описание
<b>LOG SETUP (НАСТР. ЗАПИСИ)</b>	Устанавливает промежуток времени сохранения результатов измерений в журнале данных — 5, 30 секунд, 1, 2, 5, 10, 15 (по умолчанию), 30, 60 минут.
<b>RESET DEFAULTS (ВОЗВРАТ ИСХ. НАСТРОЕК)</b>	Устанавливает меню конфигурирования на параметры по умолчанию. Все сведения о датчиках теряются.

## Калибровка

### Калибровка датчиков

Характеристики датчика медленно смещаются со временем, что вызывает потерю точности датчика. Для поддержания точности датчик должен регулярно калиброваться. Частота калибровки изменяется в зависимости от области применения и наилучшим образом определяется опытным путем.

### Калибровка температуры

Рекомендуется выполнять калибровку датчика температуры один раз в год. Выполняйте калибровку датчика температуры перед калибровкой измерительного датчика.

1. Измерьте температуру воды точным термометром или независимых прибором.
2. Нажмите клавишу **menu (меню)** и выберите пункт **SENSOR SETUP>CALIBRATE (НАСТРОЙКА ДАТЧИКА>КАЛИБРОВАТЬ)**.
3. Если для входа в защищенное меню контроллера необходим код-пароль, введите его.
4. Выберите пункт **1 RT TEMP CAL (КАЛИБРОВКА ТЕМПЕРАТУРЫ В ПЕРВОЙ ТОЧКЕ)** и нажмите клавишу **enter (ввод)**.
5. Отображается грубое значение температуры. Нажмите клавишу **enter (ввод)**.
6. Введите правильное значение, если оно отличается от отображаемого, и нажмите клавишу **enter (ввод)**.
7. Нажмите клавишу **enter (ввод)** для подтверждения калибровки. Отобразится значение отклонения температуры.

### Калибровка нуля

Значение нуля было откалибровано на предприятии-изготовителе. Используйте процедуру калибровки нуля для определения уникальной нулевой точки датчика.

1. Если концентрация пробы < 10 ч/млрд, для получения более точных результатов рекомендуется использовать дополнительный картридж калибровки нуля (см. [Запасные части и принадлежности](#) на стр. 312), оставив датчик на месте. В противном случае, извлеките датчик из пробы и промойте его дистиллированной водой.
2. Нажмите клавишу **menu (меню)** и выберите пункт **SENSOR SETUP>CALIBRATE (НАСТРОЙКА ДАТЧИКА>КАЛИБРОВАТЬ)**.
3. Если для входа в защищенное меню контроллера необходим код-пароль, введите его.
4. Выберите пункт **ZERO CAL (КАЛИБРОВКА НУЛЯ)** и нажмите клавишу **enter (ввод)**.
5. Выберите опцию для выходного сигнала во время калибровки:

Опция	Описание
<b>ACTIVE (АКТИВНЫЙ)</b>	Прибор посылает в качестве выходных значений текущие измерения во время процедуры калибровки.
<b>HOLD (ОЖИДАНИЕ)</b>	Выходное значение датчика во время процедуры калибровки фиксируется на последнем измеренном значении.
<b>TRANSFER (ПЕРЕХОД)</b>	Во время калибровки отправляется предварительно установленное выходное значение. Чтобы изменить предустановленное значение, см. руководство пользователя контроллера.

6. Если картридж калибровки нуля не используется, вставьте чистый датчик в раствор без гидразина, такой как особо чистая вода, и нажмите **enter (ввод)**.
7. Подождите около часа, пока значение стабилизируется, и нажмите **enter (ввод)**.
8. Проверьте результат калибровки:
  - PASS (УСПЕХ) — датчик откалиброван, отображается значение отклонения.
  - FAIL (НЕУДАЧА) — калибровка вышла за допустимые пределы. Очистите датчик и попробуйте еще раз. Дополнительная информация приведена в разделе [Выявление и устранение неисправностей](#) на стр. 311.
9. Если калибровка выполнена успешно, нажмите клавишу **enter (ввод)**, чтобы продолжить.
10. Если пункт с ID оператора имеет значение YES (ДА) в меню CAL OPTIONS (ОПЦИИ КАЛИБРОВКИ), введите ID оператора. См. [Изменение опций калибровки](#) на стр. 311.
11. В окне NEW SENSOR (НОВЫЙ ДАТЧИК), выберите новый датчик:

Опция	Описание
<b>YES (ДА)</b>	Датчик не откалиброван с данным контроллером. Дни работы и предыдущие кривые калибровки датчика сброшены.
<b>NO (НЕТ)</b>	Датчик откалиброван с настоящим контроллером.

12. Если дополнительный картридж калибровки нуля не используется, верните датчик в пробу и нажмите **enter (ввод)**. Выходной сигнал возвращается в активное состояние и измеренное значение пробы отображается на экране измерений.  
*Примечание: Если режим выхода установлен на фиксацию или передачу, выберите время задержки, когда выходы вернутся в активное состояние.*

## Калибровка по пробе технопроцесса

Датчик может оставаться в технологической пробе.

1. Нажмите клавишу **menu (меню)** и выберите пункт SENSOR SETUP>CALIBRATE (НАСТРОЙКА ДАТЧИКА>КАЛИБРОВАТЬ).
2. Если для входа в защищенное меню контроллера необходим код-пароль, введите его.
3. Выберите пункт SAMPLE CAL (КАЛИБРОВКА ПО ОБРАЗЦУ) и нажмите **enter (ввод)**.
4. Выберите опцию для выходного сигнала во время калибровки:

Опция	Описание
<b>ACTIVE (АКТИВНЫЙ)</b>	Прибор посылает в качестве выходных значений текущие измерения во время процедуры калибровки.
<b>HOLD (ОЖИДАНИЕ)</b>	Выходное значение датчика во время процедуры калибровки фиксируется на последнем измеренном значении.
<b>TRANSFER (ПЕРЕХОД)</b>	Во время калибровки отправляется предварительно установленное выходное значение. Чтобы изменить предустановленное значение, см. руководство пользователя контроллера.

5. При находящемся в пробе датчике, нажмите клавишу **enter (ввод)**. Отображается измеренное значение. Подождите, пока значение стабилизируется и нажмите клавишу **enter (ввод)**.
6. С помощью сертифицированного второго контрольного прибора измерьте значение концентрации в пробе. Чтобы избежать загрязнения пробы, выполняйте измерение до подачи пробы в камеру измерения расхода. С помощью клавиш со стрелками введите данное значение, если оно отличается от отображаемого, и нажмите клавишу **enter (ввод)**.
7. Проверьте результат калибровки:
  - PASS (УСПЕХ) — датчик откалиброван, отображается калибровочный коэффициент.
  - FAIL (НЕУДАЧА) — калибровка вышла за допустимые пределы. Очистите датчик и попробуйте еще раз. Дополнительная информация приведена в разделе [Выявление и устранение неисправностей](#) на стр. 311.

8. Если калибровка выполнена успешно, нажмите клавишу **enter (ввод)**, чтобы продолжить.
9. Если пункт с ID оператора имеет значение YES (ДА) в меню CAL OPTIONS (ОПЦИИ КАЛИБРОВКИ), введите ID оператора. См. [Изменение опций калибровки](#) на стр. 311.
10. В окне NEW SENSOR (НОВЫЙ ДАТЧИК), выберите новый датчик:

Опция	Описание
YES (ДА)	Датчик не откалиброван с данным контроллером. Дни работы и предыдущие кривые калибровки датчика сброшены.
NO (НЕТ)	Датчик откалиброван с настоящим контроллером.

11. При находящемся в пробе датчике, нажмите клавишу **enter (ввод)**. Выходной сигнал возвращается в активное состояние и измеренное значение пробы отображается на экране измерений.

*Примечание: Если режим выхода установлен на фиксацию или передачу, выберите время задержки, когда выходы вернутся в активное состояние.*

## Изменение опций калибровки

Пользователь может настроить напоминание о калибровке или включить ID оператора с калибровочными данными из данного меню.

1. Нажмите клавишу **menu (меню)** и выберите пункт SENSOR SETUP>CALIBRATE (НАСТРОЙКА ДАТЧИКА>КАЛИБРОВАТЬ).
2. Если для входа в защищенное меню контроллера необходим код-пароль, введите его.
3. Выберите пункт CAL OPTIONS (ОПЦИИ КАЛИБРОВКИ) и нажмите клавишу **enter (ввод)**.
4. Используйте клавиши со стрелками для выбора опции и нажмите клавишу **ввод**.

Опция	Описание
CAL REMINDER (УВЕДОМ КАЛ)	Настройте напоминание о следующей калибровке с указанием дня, месяца или года - выберите требуемый интервал из списка.
OP ID ON CAL (ИН ОП ДЛЯ КАЛ)	Включает ID оператора с калибровочными данными — YES (ДА) или NO (НЕТ) (по умолчанию). ИН вводится во время калибровки.

## Техническое обслуживание

### ▲ ОПАСНОСТЬ

Различные опасности. Работы, описываемые в данном разделе, должны выполняться только квалифицированным персоналом.

## Очистка и удаление загрязнений

### ▲ ОПАСНОСТЬ

Всегда отключайте прибор от сети перед выполнением технического обслуживания.

Обычно анализатор не требует какой-либо очистки и удаления загрязнений. В случае необходимости очистите внешнюю поверхность прибора тканью, смоченной слабым мыльным раствором. Никогда не используйте такие чистящие средства, как скипидар, ацетон или подобные продукты для очистки прибора, включая дисплей и любые принадлежности.

## Выявление и устранение неисправностей

### Список предупреждений

Значок предупреждения представляет собой восклицательный знак в треугольнике. Значки предупреждений появляются на главном экране справа, ниже измеренного значения. Предупреждение не влияет на работу меню, реле и выходов. Чтобы посмотреть

предупреждения, нажмите клавишу **menu (меню)** и выберите пункт DIAGNOSTICS (ДИАГНОСТИКА). Затем выберите устройство, чтобы увидеть проблемы, связанные с этим устройством. Значок предупреждения исчезнет после устранения проблемы или подтверждения прочтения уведомления о ней.

Список возможных предупреждений показан в **Таблица 5**.

**Таблица 5 Список предупреждений для датчиков поглотителя кислорода**

Предупреждение	Описание	Решение
O2 SCAVENGER TOO HIGH (ПОГЛОТИТЕЛЬ O2 СЛИШКОМ ВЫСОКИЙ)	Измеренное значение > 10 000 ч/млн	Убедитесь, что уровень поглотителя кислорода (гидразин или карбазид) в технологической воде находится в эксплуатационных пределах датчика. Откалибруйте или замените датчик.
O2 SCAVENGER TOO LOW (ПОГЛОТИТЕЛЬ O2 СЛИШКОМ НИЗКИЙ)	Измеренное значение < 0 ч/млн	Откалибруйте или замените датчик.
TEMP TOO HIGH (Т ВЫШЕ МАКС.)	Измеренная температура > 50 °C	Снизьте температуру пробы.
TEMP TOO LOW (Т НИЖЕ МИН.)	Измеренная температура < 0 °C	Увеличьте температуру пробы.
CURRENT TOO HIGH (ТОК СЛИШКОМ ВЫС)	Измеренный ток > 200 мА	Убедитесь, что уровень поглотителя кислорода (гидразин или карбазид) в технологической воде находится в эксплуатационных пределах датчика. Откалибруйте или замените датчик.
CURRENT TOO LOW (ТОК СЛИШКОМ НИЗК)	Измеренный ток < -0,5 мА	Откалибруйте или замените датчик.
CAL OVERDUE (СРОК КАЛ. ИСТЕК)	Истекло время напоминания о калибровке	Откалибруйте датчик.
REPLACE SENSOR (ЗАМЕН. ДАТЧ.)	Датчик работал > 365 дней	Замените картридж датчика и откалибруйте датчик. Если результат калибровки успешен, сбросьте дни работы мембраны в меню DIAG/TEST (ДИАГН./ТЕСТ).
NOT CALIBRATED (НЕ ОТКАЛИБРОВАН)	Датчик не был откалиброван	Откалибруйте датчик.
CAL IN PROGRESS (ИДЕТ КАЛ.)	Калибровка запущена, но не завершена	Вернитесь к калибровке.

## Запасные части и принадлежности

Обратитесь к разделу запасных частей и принадлежностей документации контроллера для получения информации о них.

**Примечание:** Номера продуктов и изделий могут отличаться в некоторых регионах продажи. Свяжитесь с соответствующим дистрибьютором или см. контактную информацию на веб-сайте компании.

### Комплект запасных частей на 2 года - 09186=A=8000

Описание	Кол-во	Изд. №
Фильтр	6	363877,06000
Контрольный электрод	1	368429,00000
Инжекционное сопло Вентури	1	359090,00024



**Комплект запасных частей на 2 года - 09186=A=8000 (продолжение)**

Описание	Кол-во	Изд. №
Уплотнительное кольцо для инжекционного сопла Вентури	1	356099,05090
Пластиковые чистящие шарики	7	588801,75008
Полиэтиленовая трубка 4 × 6 мм	2 м	151575,00006

**Измерительная ячейка**

Описание	Изд. №
Измерительная ячейка	09186=A=0100
Контрольный электрод	368429,00000
Рабочий электрод	09186=A=0300
Впускной коленчатый патрубок G1/8 DN 4/6	359103,10070
Выпускной патрубок G1/8 DN6/8	359103,10055
Заглушка NPT1/8	431=201=018
Сосуд для кондиционера с оборудованием	09186=A=0200
Бутылка из коричневого стекла	490=010=011
Пористый картридж	09073=C=0340
Патрубок G1/8 DN4/6	359103,10065
Контроллер с измерителем расхода	09186=A=0400
Впускной патрубок G1/4 DN 4/6	587=006=002
Короткий коленчатый патрубок G1/4 DN 4/6	359103,10072
Длинный коленчатый патрубок G1/4 DN 4/6	587=906=002
Расходомер	694=000=001
Коленчатый патрубок NPT1/8 DN4/6	359103,10170

**Принадлежности**

Описание	Изд. №
Картридж для калибровки химического нуля	09186=A=0600

# İçindekiler

Teknik Özellikler sayfa 314

Çalıştırma sayfa 329

Genel Bilgiler sayfa 316

Bakım sayfa 331

Kurulum sayfa 318

Arıza bulma sayfa 332

Başlatma sayfa 327

Yedek parçalar ve aksesuarlar sayfa 332

Kullanıcı arayüzü ve gezinme sayfa 327

## Genişletilmiş kılavuz sürümü

Daha fazla bilgi için üreticinin web sitesinde bulunan bu kılavuzun genişletilmiş sürümüne bakın.

## Teknik Özellikler

Teknik özellikler, önceden bildirilmeksizin değiştirilebilir.


### Panel

Teknik Özellik	Ayrıntılar
Boyutlar	817 x 300 x 140 mm (32,2 x 11,8 x 5,5 inç)
Ağırlık	14,6 kg (32,15 lbs)
Numune akış hızı	10—15 litre/saat
Çalışma basıncı	0,5—6 bar (7—87 psi)
Ortam sıcaklığı	0—60°C (-32—140°F)
Bağıl nem	%10—90
Çalışma elektrodu	Platin
Sayaç elektrot	Paslanmaz çelik
Referans	Ag / AgCl / KCl 0.1 M
Ölçüm bölmesi	Akrilik
Numune dengeleyici	DIPA (diizopropilamin)
Avrupa standartları	EMC için A sınıfı EN 61326; EN 601010-1 düşük voltaj emniyeti için
Uluslararası standartlar	cETLus

### Sensör

Teknik Özellik	Ayrıntılar
Ölçüm aralığı	0—500 ppb hidrazin; 0—100 ppb karbohidrazit
Duyarlılık	< 0,2 ppb
Tekrarlanabilirlik	Ölçümün $\pm$ 1 ppb veya $\pm$ %2'si (hangisi büyükse)
Saptama sınırı	$\leq$ 1 ppb
Tepki süresi	< 60 saniye
Numune sıcaklığı ölçüm aralığı	5—45°C (41—113°F)

## Kontrolör

Teknik Özellikler	Ayrıntılar
Bileşenin tanımı	Sensörü işleten ve ölçülen değerleri görüntüleyen mikroişlemci-kumandalı ve menü-güdümlü kontrol ünitesi.
Çalışma sıcaklığı	-20 - 60 °C (-4 - 140 °F); %95 bağıl nem, <7 W sensör yükü ile yoğunlaşmaz; -20 - 50 °C (-4 - 104 °F) <28 W sensör yükü ile
Saklama sıcaklığı	-20 - 70 °C (-4 - 158 °F); %95 bağıl nem, yoğunlaşmaz
Kutu <sup>1</sup>	Paslanmaz kaplamalı NEMA 4X/IP66 metal kutu
Güç gereksinimleri	<b>AC beslemeli kontrol ünitesi:</b> 100-240 VAC %±10, 50/60 Hz; 7 W sensörlü/ağ modül yüklü 50 VA güç, 28 W sensörlü/ağ modülü yüklü 100 VA güç (isteğe bağlı Modbus RS232/RS485, Profibus DPV1 veya HART ağ bağlantısı). <b>24 VDC beslemeli kontrol ünitesi:</b> 24 VDC—%15, + %20; 7 W sensörlü/ağ modülü yüklü 15 W güç, 28 W sensörlü/ağ modülü yüklü 40 W güç (isteğe bağlı Modbus RS232/RS485, Profibus DPV1 veya HART ağ bağlantısı).
İrtifa gereksinimleri	Standart 2000 m (6562 ft) ASL (Deniz Seviyesi Üzerinde)
Kirlilik derecesi/Kurulum kategorisi	Kirlenme Derecesi 2; Montaj Kategorisi II
Çıktılar	İki analog (0-20 mA ya da 4-20 mA) çıkışı. Her bir analog çıkış, pH, sıcaklık, akış veya hesaplanan değer gibi ölçülen bir parametreyi temsil edecek şekilde belirlenebilir. İsteğe bağlı modül, üç ek analog çıkışı sağlar (toplam 5).
Röleler	Dört SPDT, kullanıcı tarafından yapılandırılan temaslar, AC ile çalışan kontrol ünitesi için 250 VAC, 5 Amp maksimum direnç ve DC ile çalışan kontrol ünitesi için 24 VDC, 5A maksimum direnç değeri. Röleler AC Ana şebekesine (örn., kontrol cihazı 115 - 240 VAC besleme ile çalıştırıldığında) ya da DC devresine (örn., kontrol cihazı 24 VDC besleme ile çalıştırıldığında) bağlanmak üzere tasarlanmıştır.
Boyutlar	½ DIN—144 x 144 x 180,9 mm (5,7 x 5,7 x 7,12 inç.)
Ağırlık	1.7 kg (3.75 lb)
EMC gereklilikleri	EN61326-1: EMC Direktifi <b>Not:</b> Bu, bir Sınıf A ürünüdür. Bu ürün, ev çevresinde radyo girişimine neden olabilir, böyle bir durumda kullanıcının uygun önlemleri alması gerekebilir.
 Korean registration	<b>User Guidance for EMC Class A Equipment</b> İşletim için EMC sınıflandırma A cihazına ilişkin kullanıcı bilgileri A sınıfı cihaz (işletim yayıncı cihazı) Bu cihaz işletim (A sınıfı) radyo frekans cihazıdır. Kullanıcı veya işleten bu cihazı kullanırken, radyo frekans alanından kaynaklanan etkilerden kaçınmalıdır. İşletim alanından uzaklaşarak, radyo frekans alanından kaçınmalıdır.
CE uygunluğu	EN61010-1: Düşük Voltaj Direktifi
Dijital iletişim	Veri aktarımı için isteğe bağlı Modbus RS232/RS485, Profibus DPV1 veya HART ağ bağlantısı
Verilerin kütüğe kaydedilmesi	Veri kaydetme ve yazılım güncellemeleri gerçekleştirme için Secure Digital Card (maksimum 32 GB) veya özel RS232 kablo konektörü. Kontrol ünitesi, sensör başına yaklaşık 20.000 veri noktası tutar.
Garanti	2 yıl

<sup>1</sup> Underwriters Laboratories (UL) onaylı üniteler sadece kapalı alanda kullanım içindir; bu ürünlerin NEMA 4X/IP66 koruması yoktur.

## Genel Bilgiler

Hiçbir durumda üretici, bu kılavuzdaki herhangi bir hata ya da eksiklikten kaynaklanan doğrudan, dolaylı, özel, tesadüfi ya da sonuçta meydana gelen hasarlardan sorumlu olmayacaktır. Üretici, bu kılavuzda ve açıkladığı ürünlerde, önceden haber vermeden ya da herhangi bir zorunluluğa sahip olmadan değişiklik yapma hakkını saklı tutmaktadır. Güncellenmiş basımlara, üreticinin web sitesinden ulaşılabilir.

## Güvenlik bilgileri

### BILGI

Üretici, doğrudan, arızı ve sonuç olarak ortaya çıkan zararlar dahil olacak ancak bunlarla sınırlı olmayacak şekilde bu ürünün hatalı uygulanması veya kullanılmasından kaynaklanan hiçbir zarardan sorumlu değildir ve yürürlükteki yasaların izin verdiği ölçüde bu tür zararları reddeder. Kritik uygulama risklerini tanımlamak ve olası bir cihaz arızasında prosesleri koruyabilmek için uygun mekanizmaların bulunmasını sağlamak yalnızca kullanıcının sorumluluğundadır.

Bu cihazı paketinden çıkarmadan, kurmadan veya çalıştırmadan önce lütfen bu kılavuzun tümünü okuyun. Tehlikeler ve uyarılarla ilgili tüm ifadeleri dikkate alın. Aksi halde, kullanıcının ciddi şekilde yaralanması ya da ekipmanın hasar görmesi söz konusu olabilir.

Bu cihazın korumasının bozulmadığından emin olun. Cihazı bu kılavuzda belirtilenden başka bir şekilde kullanmayın veya kurmayın.

### Tehlikeyle ilgili bilgilerin kullanılması

### ▲ TEHLİKE

Olması muhtemel veya yakın bir zamanda olmasından korkulan, engellenmediği takdirde ölüm veya ciddi yaralanmaya neden olacak tehlikeli bir durumu belirtir.

### ▲ UYARI

Önlenmemesi durumunda ciddi yaralanmalar veya ölümlerle sonuçlanabilecek potansiyel veya yakın bir zamanda meydana gelmesi beklenen tehlikeli durumların mevcut olduğunu gösterir.

### ▲ DİKKAT





Daha küçük veya orta derecede yaralanmalarla sonuçlanabilecek potansiyel bir tehlikeli durumu gösterir.




### BILGI

Engellenmediği takdirde cihazda hasara neden olabilecek bir durumu belirtir. Özel olarak vurgulanması gereken bilgiler.

### Önlem etiketleri

Cihazın üzerindeki tüm etiketleri okuyun. Talimatlara uyulmadığı takdirde yaralanma ya da cihazda hasar meydana gelebilir. Cihaz üzerindeki bir sembol, kılavuzda bir önlem ibaresiyle belirtilir.

	Bu, güvenlik uyarı sembolüdür. Olası yaralanmaları önlemek için bu sembolü izleyen tüm güvenlik mesajlarına uyun. Cihaz üzerinde mevcutsa çalıştırma veya güvenlik bilgileri için kullanım kılavuzuna başvurun.
	Bu sembol elektrik çarpması ve/veya elektrik çarpması sonucu ölüm riskinin bulunduğunu gösterir.
	Bu sembol Elektrostatik Boşalmaya (ESD-Electro-static Discharge) duyarlı cihaz bulunduğunu ve ekipmana zarar gelmemesi için dikkatli olunması gerektiğini belirtir.
	Ürün üzerindeki bu sembol cihazın alternatif akıma bağlı olduğunu gösterir.

	Bu simgeyi taşıyan elektrikli cihazlar, Avrupa evsel ya da kamu atık toplama sistemlerine atılmaz. Eski veya kullanım ömrünü doldurmuş cihazları, kullanıcı tarafından ücret ödenmesine gerek olmadan atılması için üreticiye iade edin.
	Bu simge ile işaretlenmiş olan ürünlerde, ürünün zehirli ya da tehlikeli maddeler veya elementler içerdiği belirtilmektedir. Sembolün içindeki rakam, yıl olarak çevresel koruma açısından kullanım periyodunu göstermektedir.
	Bu sembol, işaretlenen ürünlerin ilgili Güney Kore EMC standartlarına uyum sağladığını göstermektedir.

## Belgelendirme

### Kanada Radyo Girişimine Neden Olan Cihaz Yönetmeliği, IECS-003, A Sınıfı:

Destekleyen test kayıtları, üreticide bulunmaktadır.

Bu A Sınıfı dijital cihaz, Kanada Girişime Neden Olan Cihaz Yönetmeliğinin tüm şartlarını karşılamaktadır.

### FCC PART 15, "A" Sınıfı Limitleri

Destekleyen test kayıtları, üreticide bulunmaktadır. Bu cihaz, FCC Kurallarının Bölüm 15'ine uygundur. Çalıştırma için aşağıdaki koşullar için geçerlidir:

1. Cihaz, zararlı girişime neden olmaz.
2. Bu cihaz, istenmeyen işleyişe yol açabilecek parazit de dahil olmak üzere, alınan her türlü paraziti kabul edecektir.

Bu cihaz üzerinde, uyumluluktan sorumlu tarafın açıkça onaylamadığı her türlü değişiklik, kullanıcının cihazı çalıştırma yetkisini geçersiz kılacaktır. Bu cihaz, test edilmiş ve FCC kuralları, Bölüm 15 uyarınca A Sınıfı bir dijital cihaz limitlerini karşıladığı tespit edilmiştir. Bu limitler, ekipmanın bir işyeri ortamında çalıştırılması durumunda zararlı parazitlere karşı uygun koruma sağlayacak şekilde tasarlanmıştır. Bu cihaz, telsiz frekansı enerjisi üretir, kullanır ve yayabilir ve kullanım kılavuzuna uygun olarak kurulmazsa ve kullanılmazsa telsiz iletişimlerine zararlı parazitlere neden olabilir. Bu cihazın bir konut alanında kullanılması zararlı parazitlere neden olabilir. Böyle bir durumda kullanıcının masrafları kendisine ait olmak üzere bu parazitleri düzeltmesi gerekecektir. Parazit sorunlarını azaltmak için aşağıdaki teknikler kullanılabilir:

1. Parazitin kaynağı olup olmadığını öğrenmek için bu ekipmanın güç kaynağı bağlantısını kesin.
2. Eğer cihaz, parazit sorunu yaşayan cihazla aynı prize bağlıysa, cihazı farklı bir prize takın.
3. Cihazı parazit alan cihazdan uzaklaştırın.
4. Cihazın parazite neden olduğu cihazın alıcı antenini başka bir yere taşıyın.
5. Yukarıda sıralanan önlemleri birlikte uygulamayı deneyin.

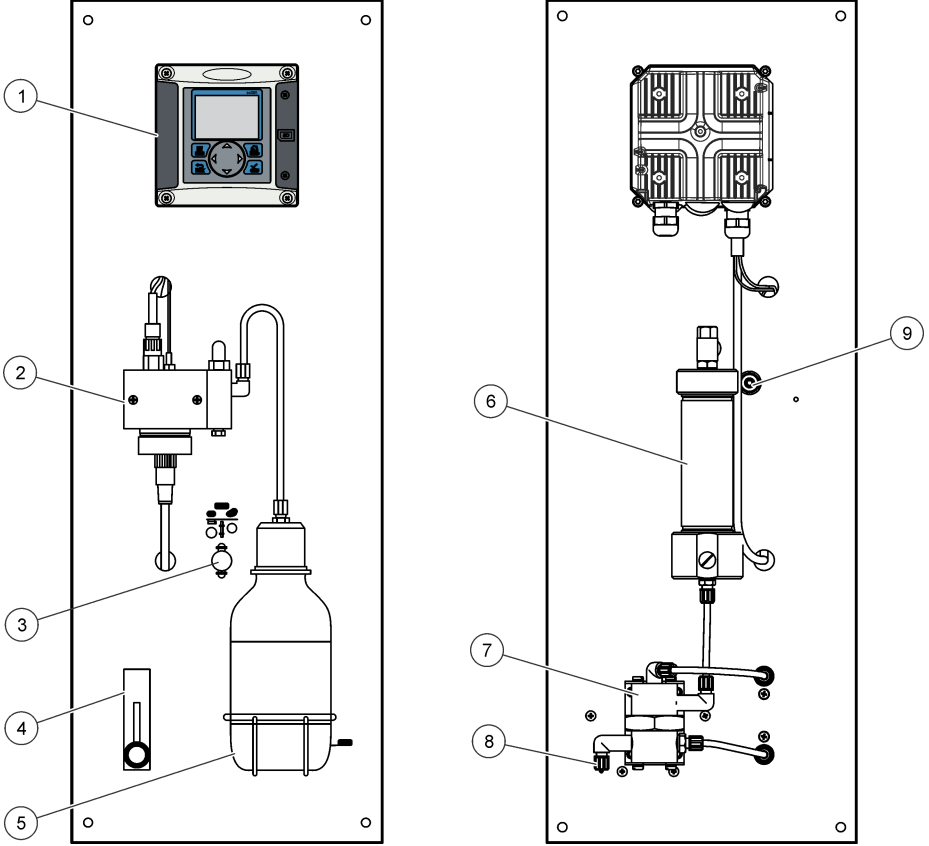
## Ürün bileşenleri

Bütün bileşenlerin teslim alındığından emin olun. Eksik veya hasarlı bir bileşen varsa derhal üretici ya da satış temsilcisiyle bağlantıya geçin.

## Ürüne genel bakış

Analizör devamlı olarak sudaki oksijen tutucuların (hidrazin veya karbohidrazit) miktarını ölçmek üzere tasarlanmıştır.

Şekil 1 Ön ve arkadan görünüm



1 Kontrolör	6 Kimyasal sıfırlama kartuşu (opsiyon)
2 Ölçüm bölmesi	7 Basınç regülatörü
3 Kimyasal sıfırlama açık/kapalı (opsiyon)	8 Numune, 4/6 mm tüp
4 Akış ölçer	9 Numune drenajı, 6/8 mm tüp, atmosferik basınç
5 Numune kondisyonlama şişesi (DIPA)	

## Kurulum

### ⚠ DİKKAT



Birden fazla tehlike. Belgenin bu bölümünde açıklanan görevleri yalnızca yetkili personel gerçekleştirmelidir.

## Analizör Montajı

### ⚠ DİKKAT

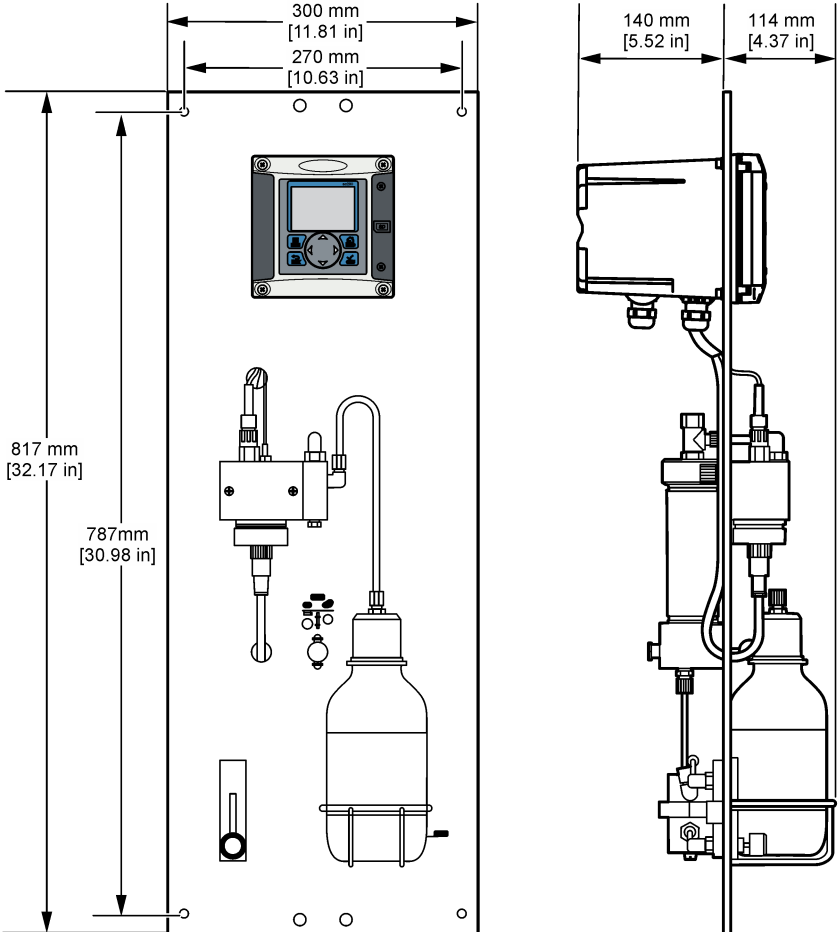
Kişisel yaralanma tehlikesi. Cihazlar veya bileşenler ağırdır. Kurarken veya taşırken yardım alın. Duvar montajının aygıt ağırlığının 4 katına kadar taşıyabildiğinden emin olun.

### BİLGİ

Hassasiyeti garantilemek için analizör dikey olarak hizalanmalıdır.

Analizörü sabit ve dik bir yüzeye takın. Analizörün tam olarak dikey konumda olmasını sağlamak için bir düzlem kullanın. İlgili kullanım kılavuzlarını inceleyin.

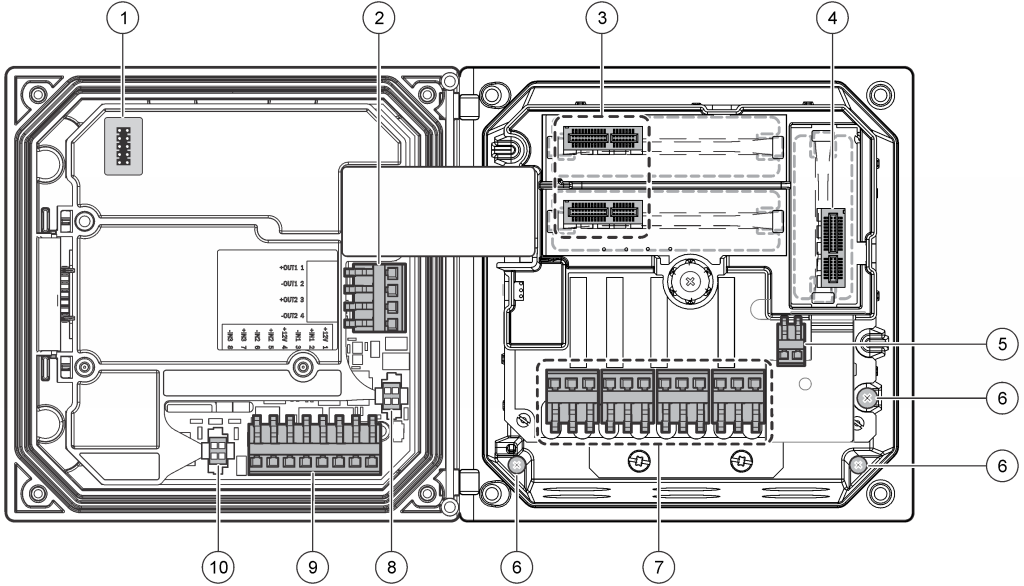
- Cihazı işletim, servis ve kalibrasyon erişimi olan bir konuma yerleştirin.
- Ekran ve kontrollerin düzgün görüldüğünden emin olun.
- Cihazı ısı kaynağına maruz bırakmayın.
- Cihazı titreşimlere maruz bırakmayın.
- Tepki süresini en aza indirmek için numune hortumunu mümkün olduğunca kısa tutun.
- Numune iletim hattında hava olmadığından emin olun.



## Kablolamaya genel bakış

Şekil 2, yüksek gerilim bariyeri kaldırılmış haldeyken kontrol ünitesi içerisinde bulunan kablo bağlantılarına genel bir bakış sağlar. Şeklin sol tarafı kontrol ünitesi kapağının arka kısmını gösterir. **Not:** Modül kurulumundan önce konektör kapaklarını konektörlerden çıkarın.

Şekil 2 Kablo bağlantılarına genel bakış



1 Servis kablosu bağlantısı	5 AC ve DC güç konektörleri <sup>2</sup>	9 Ayrık giriş kablo konektörü <sup>2</sup>
2 4-20 mA çıkışı <sup>2</sup>	6 Topraklama terminalleri	10 Dijital sensör konektörü <sup>2</sup>
3 Sensör modülü konektörü	7 Röle bağlantıları <sup>2</sup>	
4 İletişim modülü konektörü (örn., Modbus, Profibus, HART, isteğe bağlı 4-20 mA modülü, vb.)	8 Dijital sensör konektörü <sup>2</sup>	

### Yüksek gerilim bariyeri

Kontrol ünitesi yüksek gerilim bariyeri kaldırılmış haldeyken kontrol ünitesi yuvasındaki yüksek gerilim bariyerinin arkasında bulunur. Engel, modüllerin takılması ya da uzman bir montaj teknisyeni tarafından elektrik, alarm, çıkış ya da röle için kablolama yapılması durumu dışında yerinde olmalıdır. Kontrol ünitesi elektrik verilirken bariyeri çıkarmayın.

### Güç kabloları

#### ⚠ UYARI



Elektrik Çarpması Nedeniyle Ölüm Tehlikesi Olasıdır. Elektrik bağlantıları yaparken cihaza giden elektriği mutlaka kesin.

#### ⚠ UYARI



Elektrik Çarpması Nedeniyle Ölüm Tehlikesi Olasıdır. Eğer cihaz dış mekanlarda ya da ıslak olabilecek yerlerde kullanılıyorsa, cihazı ana şebeke elektrik kaynağına bağlamak için bir **Toprak Hatası Kesme** cihazı kullanılmalıdır.

<sup>2</sup> Daha iyi erişim için terminaller çıkarılabilir.



## ⚠ TEHLİKE



Elektrik Çarpması Nedeniyle Ölüm Tehlikesi. 24 VDC modelini AC elektriğe bağlamayın.

## ⚠ UYARI



Elektrik Çarpması Nedeniyle Ölüm Tehlikesi Olasılığı. Hem 100-240 VAC hem de 24 VDC kablolama uygulamalarında bir koruyucu toprak bağlantısı gereklidir. İyi bir koruyucu toprak bağlantısına bağlanmaması, elektrik çarpması tehlikesine ve elektromanyetik parazitler nedeniyle performans düşüklüğüne neden olabilir. Kontrolör terminaline HER ZAMAN iyi bir koruyucu toprak bağlantısı yapın.

## BİLGİ

Cihazı, elektrik bağlantısı kesme cihazına ve bu cihazın kullanımına erişim sağlayan bir yere ve konuma takın.

Kontrol ünitesi 100-240 VAC elektrik beslemeli ya da bir 24 VDC elektrik beslemeli modelleri şeklinde satın alınabilir. Satın alınan model için uygun kablolama talimatlarını uygulayın.

Kontrol ünitesi hat güç beslemesi için ark içerisinde sert kablolama ya da bir elektrik kablosuna kablo çekilmesi şekillerinde kablolanabilir. Kullanılan kabloya bakılmaksızın bağlantılar aynı terminallerde yapılır. Yerel elektrik kurallarının sağlanması için tasarlanmış bir devre kesici gereklidir ve her türlü tesisatta kullanılmalıdır. Sert-kablolama uygulamalarında cihaza ilişkin güç ve emniyet topraklama servis düşüşleri tüm kurulum tipleri için tanımlanmalıdır. Saha kablo yalıtımının en az 80 °C'ye (176 °F) dayanıklı olduğundan emin olun.

### Notlar:

- Gerilim bariyeri herhangi bir elektrik bağlantısı yapılmadan önce sökülmelidir. Tüm bağlantıları yaptıktan sonra kontrol ünitesi kapağını kapatmadan önce gerilim bariyerini değiştirin.
- Conta tipi gerilim azaltma ve uzunluk olarak 3 metreden (10 feet) kısa 18-lik iletkenlere (emniyet topraklama kablosu da dahil) sahip bir elektrik kablosu NEMA 4X/IP66 çevresel ölçümlerini sağlamak üzere kullanılabilir.
- Kontrol birimleri AC elektrik kabloları önceden takılmış olarak sipariş edilebilir. İlave elektrik kabloları sipariş edilebilir.
- 24 VDC beslemeli kontrol ünitesi güç beslemesi yapan DC güç kaynağı belirtilen 24 VDC-%15 + %20 gerilim limitleri arasında voltaj regülasyonu sağlamalıdır. DC güç kaynağı ayrıca elektrik kesintileri ve voltaj düşüş ve çıkışlarına karşı uygun korumayı da sağlamalıdır.

### Kablolama prosedürü

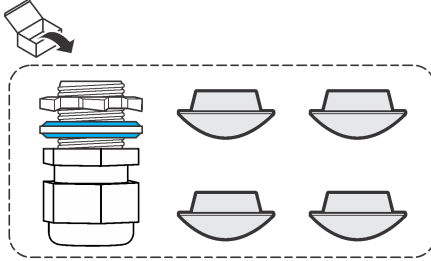
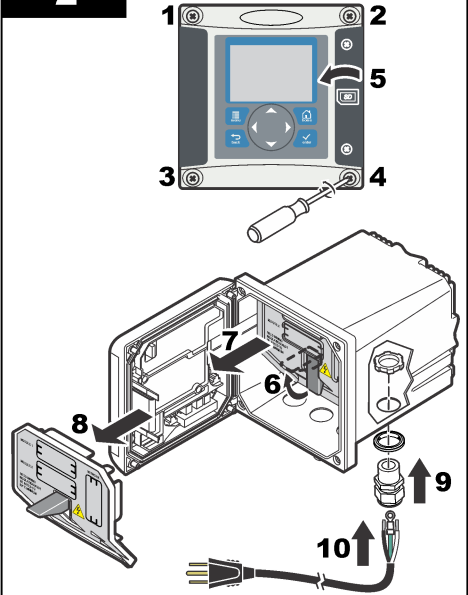
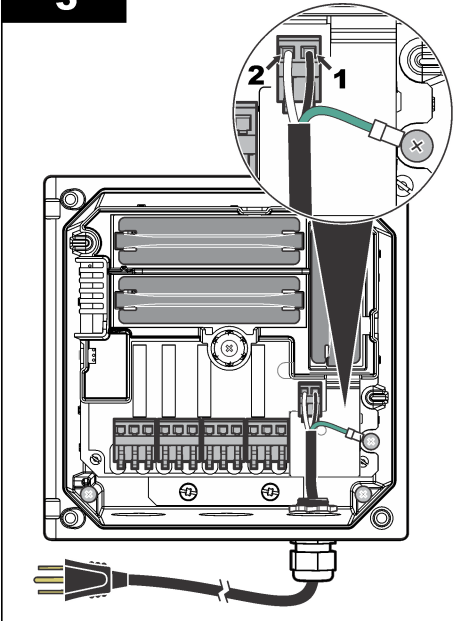
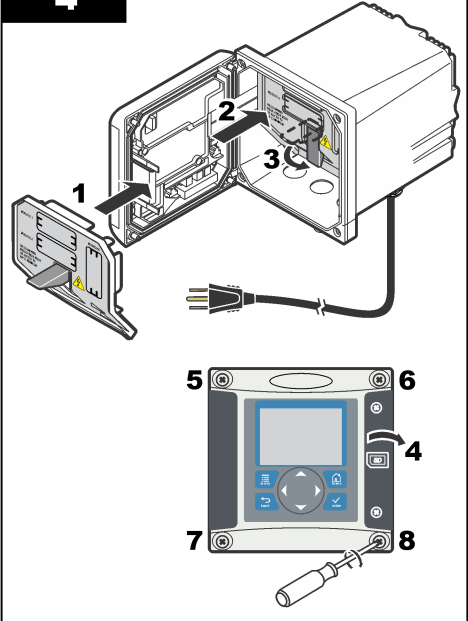
Kontrol ünitesini güce bağlamak için bkz. aşağıda gösterilen adımlar ve [Tablo 1](#) veya [Tablo 2](#). Her kabloyu, uygun terminale, herhangi çıplak bir kablo kalmayacak ve konektörün karşısına oturacak şekilde yerleştirin. Bağlantının sağlam olduğundan emin olmak için kabloyu yerleştirdikten sonra hafifçe çekin. Kontrol cihazı gövdesindeki kullanılmayan açıklıkları, kanal açıklığı sızdırmazlık tapalarıyla kapatın.

**Tablo 1 AC elektrik kablolama bilgisi (Sadece AC beslemeli modeller)**

Terminal	Açıklama	Renk—Kuzey Amerika	Renk—AB
1	Canlı (L1)	Siyah	Kahverengi
2	Nötr (N)	Beyaz	Mavi
—	Koruyucu Topraklama (PE) halkası	Yeşil	Sarı şeritli yeşil

**Tablo 2 DC elektrik kablolama bilgisi (Sadece DC beslemeli modeller)**

Terminal	Açıklama	Renk—Kuzey Amerika	Renk—AB
1	+24 VDC	Kırmızı	Kırmızı
2	24 VDC dönüş	Siyah	Siyah
—	Koruyucu Topraklama (PE) halkası	Yeşil	Sarı şeritli yeşil

**1****2****3****4**


### Alarmlar ve röleler


Kontrol ünitesi, dört adet güçsüz, 100-250 VAC, 50/60 Hz, 5 amp maksimum dirençli tek kutuplu röleyle donatılmıştır. Temas noktaları AC ile çalışan kontrol ünitesi için 250 VAC, 5 amp maksimum


direnç, DC ile çalışan kontrol üniteleri için 24 VDC, 5A maksimum direnç değerine sahiptir. Röleler üzerinde indüktif yükler için değerlendirme yapılmamıştır.

## Kablolama röleleri


<b>⚠ UYARI</b>	
	Elektrik Çarpması Nedeniyle Ölüm Tehlikesi Olasılığı. Elektrik bağlantıları yaparken cihaza giden elektriği mutlaka kesin.

<b>⚠ UYARI</b>	
	Yangın tehlikesi olasılığı. Röle bağlantıları 5A değerinde olup sigortaya sahip değildir. Rölelere bağlanan harici yükler akımı < 5 A değerine sınırlandıran akım sınırlama cihazlarına sahip olmalıdır.

<b>⚠ UYARI</b>	
	Yangın tehlikesi olasılığı. Ortak röle bağlantılarını ya da cihaz içerisinde bulunan şebeke ceryanından gelen güç bağlantısı jumper kablosunu günlük olarak zincirlemeyin.

<b>⚠ UYARI</b>	
	Elektrik Çarpması Nedeniyle Ölüm Tehlikesi Olasılığı. Muhafazanın NEMA/IP çevresel ölçümlerini sağlamak amacıyla, cihazın içine kablo döşemek üzere sadece ark parçalarını ve en az NEMA 4X/IP66 değerine sahip kablo rakorlarını kullanın.

## AC hattı (100—250 V) güç beslemeli kontrol birimleri

<b>⚠ UYARI</b>	
	Elektrik Çarpması Nedeniyle Ölüm Tehlikesi Olasılığı. AC şebeke beslemeli kontrol cihazları (115 V–230 V) AC şebekesi devrelerine röle bağlantısı için tasarlanmıştır (16 V-RMS, 22,6 V-PEAK veya 35 VDC değerinden yüksek gerilimler).

Kablolama bölmesi 250 VAC'ı geçen voltaj bağlantıları için tasarlanmamıştır.

## 24 VDC beslemeli kontrol birimleri

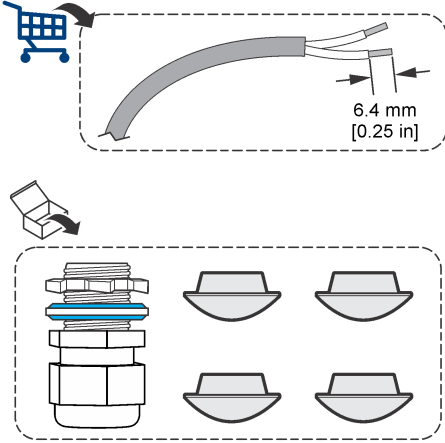
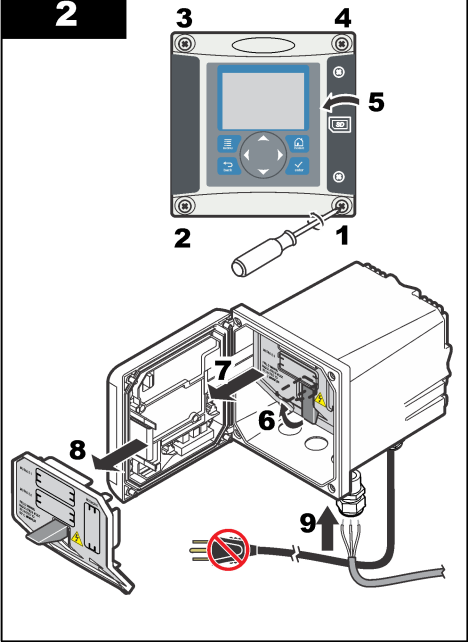
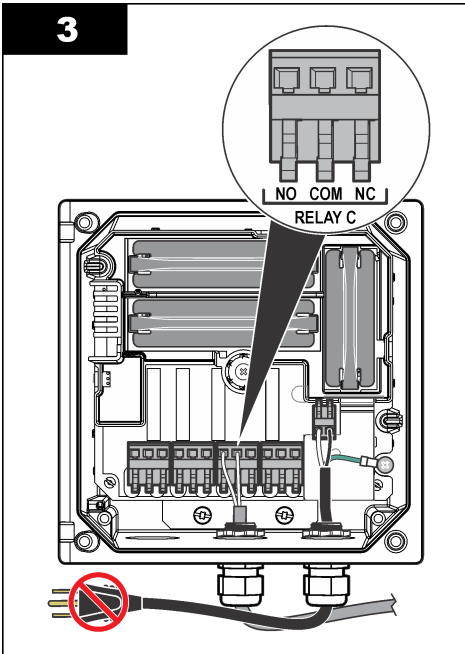
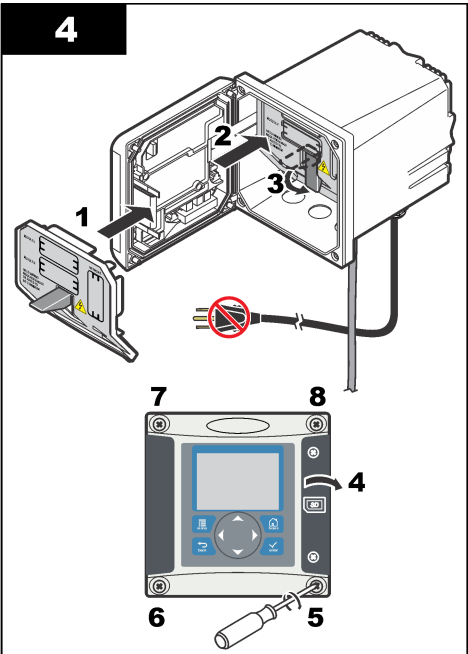
<b>⚠ UYARI</b>	
	Elektrik Çarpması Nedeniyle Ölüm Tehlikesi Olasılığı. 24 V kontrol cihazları düşük gerilimli devrelere röle bağlantısı için tasarlanmıştır (16 V-RMS, 22,6 V-PEAK veya 35 VDC değerinden düşük gerilimler).

24 VDC kontrol ünitesi röleleri düşük voltajlı devrelerde bağlantı için tasarlanmıştır (yani, 30 V-RMS, 42,2 V-PEAK veya 60 VDC'den düşük voltajlar). Kablolama bölmesi, bu seviyelerin üzerinde voltaj bağlantıları için tasarlanmamıştır.

Röle konektörlerine 18–12 AWG kablolar takılabilmektedir (yük uygulaması tarafından belirlendiği şekilde). 18 AWG'den düşük kablo derecesinin kullanılması önerilmemektedir. Saha kablo yalıtımının en az 80 °C'ye (176 °F) dayanıklı olduğundan emin olun.

Alarm ya da diğer durum etkin olduğunda, Normal Olarak Açık (NO) ve Ortak (COM) röle bağlantıları bağlanacaktır. Alarm ya da diğer bir durum devre dışı kaldığında (Arıza Emniyeti Evet olarak ayarlanmadığı sürece) ya da elektrik kontrol ünitesinden kesildiğinde, Normal Olarak Kapalı (NC) ve Ortak (COM) röle bağlantıları bağlanacaktır.

Çoğu röle bağlantısı ya NO ve COM terminallerini ya da NC ve COM terminallerini kullanır. Numaralandırılan kurulum adımları NO ve COM terminallerine giden bağlantıları gösterir.

**1****2****3****4**

## Analog çıkış bağlantıları

### ⚠ UYARI



Elektrik Çarpması Nedeniyle Ölüm Tehlikesi Olasılığı. Elektrik bağlantıları yaparken cihaza giden elektriği mutlaka kesin.

### ⚠ UYARI



Elektrik Çarpması Nedeniyle Ölüm Tehlikesi Olasılığı. Muhafazanın NEMA/IP çevresel ölçümlerini sağlamak amacıyla, cihazın içine kablo döşemek üzere sadece ark parçalarını ve en az NEMA 4X/IP66 değerine sahip kablo rakorlarını kullanın.

Yalıtımlı iki analog çıkış (1 ve 2) sunulmuştur (**Şekil 3**). Bu çıkışlar genellikle analog sinyal iletişimini veya diğer harici cihazları kontrol etmek için kullanılır.

**Şekil 3** ve **Tablo 3**'de gösterildiği gibi kontrol ünitesinin kablo bağlantılarını yapın.

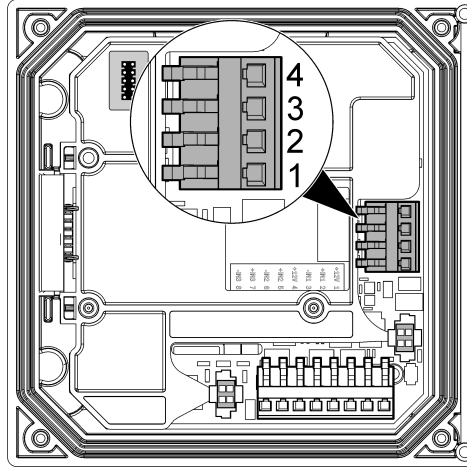
**Not:** **Şekil 3** ana kontrol cihazı bölmesini değil, kontrol ünitesi kapağının arka kısmını gösterir

**Tablo 3 Çıkış bağlantıları**

Kaydedici kabloları	Devre kartı konumu
Çıkış 2-	4
Çıkış 2+	3
Çıkış 1-	2
Çıkış 1+	1

1. Kontrol ünitesinin kapağını açın.
2. Kabloları gerilim azaltıcı içerisinden geçirin.
3. Kabloları gerektiği gibi ayarlayın ve gerilim azaltıcıyı sıkın.
4. Çift bükümlü blendajlı kablo bağlantısını yapın ve korumayı kontrol bileşeninin ucuna veya kontrol devresinin ucuna bağlayın.
  - Korumayı kablonun iki ucuna da bağlamayın.
  - Blendajlı olmayan kablo kullanılması, radyo frekansı emisyonuna veya izin verileden daha yüksek seviyelere maruz kalmasına neden olabilir.
  - Maksimum devre direnci 500 ohm'dur.
5. Kontrol ünitesinin kapağını kapatın ve kapağın vidalarını sıkın.
6. Kontrol ünitesi çıkışlarını yapılandırın.

### Şekil 3 Analog çıkış bağlantıları



#### İsteğe bağlı dijital iletişim çıkışının bağlanması

Üretici, Modbus RS485, Modbus RS232, Profibus DPV1 ve HART iletişim protokollerini destekler. İsteğe bağlı dijital çıkış modülü Şekil 2 sayfa 320'de gösterilen konuma yerleştirilmiştir. Daha fazla bilgi için ağ modülü ile birlikte gelen talimatlara başvurun.

#### Numune ve drenaj hatları

Numune ve drenaj hatlarını panelin arkasındaki yerlere bağlayın.

1. Numune hattını 4/6 mm'lik OD tüp bağlantısının girişine bağlayın.
2. Drenaj hattını 6/8 mm'lik OD tüp bağlantısının drenajına bağlayın. Atmosferik basınçta drenaj hattını mümkün olduğunca kısa tutun.

#### Reaktiflerin yerleştirilmesi

#### ⚠ UYARI



Kimyasal maddelere maruz kalma tehlikesi. Laboratuvar güvenlik talimatlarına uyun ve kullanılan kimyasallara uygun kişisel koruma ekipmanının tamamını kullanın. Güvenlik protokolleri için mevcut güvenlik bilgi formlarına (MSDS/SDS) bakın.

1. Boş numune kondisyonlama şişesini DIPA (diizopropilamin) ile doldurun ve şişeye eklenmiş boş etikete tehlikeli reaktif bilgisini girin.
2. Numune kondisyonlama şişesini analizörün önüne takın.
3. Sağlanan tüp ölçüm bölgesine bağlayın. Tüp kondisyonlama çözeltisi şişesinin içine tam olarak yerleştirin. Tüp bağlantılarının kondisyon şişesinden atmosfere buhar sızdırmasını önleyecek şekilde yapıldığından emin olun.
4. Kimyasal sıfırlama kartuşu kullanılıyorsa kartuşu analizörün önüne takın.

## Başlatma

Akış hızı ve basıncın [Teknik Özellikler](#) sayfa 314 bölümünde gösterilen değerleri aşmadığından emin olun.

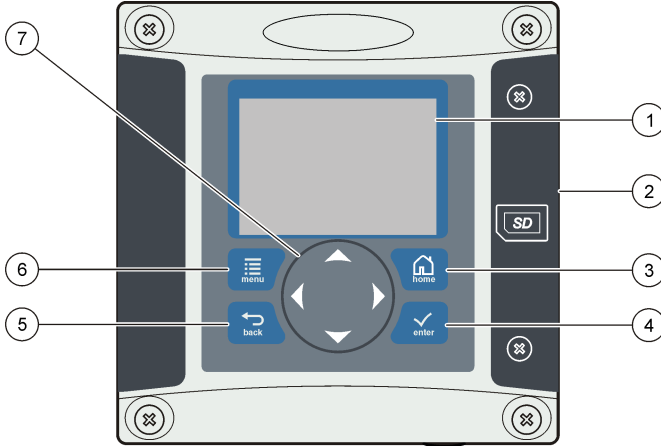
1. Analizöre numune akışı sağlamak için numune hattındaki valfi açın.
2. Akış hızını ayarlamak için akış ölçerdeki topuzu çevirin.
3. Sızıntılara karşı tesisatı denetleyin; sızıntı saptanırsa durdurun.
4. Kontrolöre güç sağlayın.
5. Kontrolör başlatıldığında uygulanabilir menü seçeneklerini uygulayın.

## Kullanıcı arayüzü ve gezinme

### Kullanıcı arayüzü

Tuş takımı dört menü tuşuna ve [Şekil 4](#)'de gösterildiği şekilde dört yön tuşuna sahiptir.

**Şekil 4 Tuş takımı ve ön panel genel görünümü**



1 Cihaz ekranı	5 <b>BACK (Geri)</b> tuşu. Menü yapısında bir seviye geri hareket eder.
2 Secure Sigital Memory Card (Güvenli Dijital Bellek Kartı) yuvası kapağı	6 <b>MENU (Menü)</b> tuşu Diğer ekranlardan ve alt menülerden Ayarlar Menüüne geçer.
3 <b>HOME (Ana Sayfa)</b> tuşu. Diğer ekranlardan ve alt menülerden Ana Ölçüm ekranına hareket eder.	7 Yön tuşları. Menüler arasında gezinmek, ayarları değiştirmek ve basamakları artırmak ya da azaltmak için kullanılır.
4 <b>ENTER (Giriş)</b> tuşu. Giriş değerlerini ya da görüntülenen menü seçeneklerini kabul eder.	

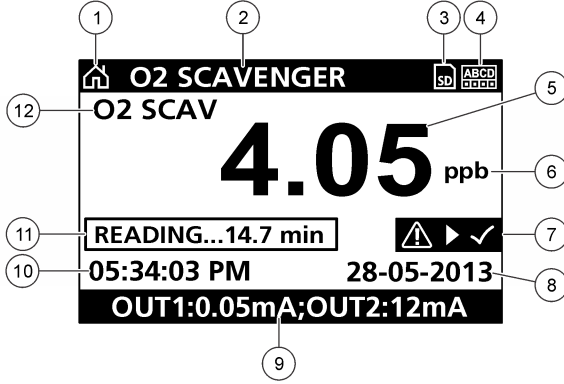
Tuş takımı ve gösterge ekranı kullanılarak girişler ve çıkışlar ön panelden ayarlanır ve yapılandırılır. Bu kullanıcı arabirimi giriş ve çıkışları ayarlamak ve yapılandırmak, günlük bilgisi ve hesaplanmış değerler oluşturmak ve sensörleri kalibre etmek için kullanılır. SD arabirimi günlük kaydetmek ve yazılım güncellemek için kullanılabilir.

### Ekran

[Şekil 5](#), kontrol ünitesine sensör bağlı şekilde ana ölçüm ekranının bir örneğini gösterir.

Ön panel ekranı sensör ölçüm verilerini, kalibrasyon ve yapılandırma ayarlarını, hataları, uyarıları ve diğer bilgileri gösterir.

## Şekil 5 Ana Ölçüm ekranı örneği



1 Ana ekran simgesi	7 Uyarı durum çubuğu
2 Sensör adı	8 Tarih
3 SD Bellek kartı simgesi	9 Analog çıkış değerleri
4 Röle durumu indikatörü	10 Saat
5 Ölçüm değeri	11 İlerleme çubuğu
6 Ölçüm birimi	12 Ölçüm parametresi

Tablo 4 Simge açıklamaları

Simge /tuş	Açıklama
Ana ekran	Simge görüntülenen ekran ya da menüye göre değişiklik gösterir. Örneğin bir SD kart takılırsa kullanıcı SD Kart Ayar menüsüne girdiğinde burada bir SD kart simgesi görüntülenir.
SD bellek kartı	Bu simge okuyucu yuvasında yalnızca bir SD kart varsa görüntülenir. Bir kullanıcı SD Kart Ayar menüsündeyken, bu simge sol üst köşede görüntülenir.
Uyarı	Bir uyarı simgesi, üçgen içerisindeki ünlem işaretinden oluşur. Uyarı simgeleri ana ekranın sağında, ölçüm değerinin altında görüntülenir. <b>ENTER</b> tuşuna basın ve cihazla ilişki sorunları görüntülemek için cihazı seçin. Tüm sorunlar giderildiğinde veya onaylandığında uyarı simgesi artık görüntülenmez.
Hata	Bir hata simgesi, daire içerisinde ünlem işaretinden oluşur. Bir hata meydana geldiğinde hata simgesi ve ölçüm ekranı ana ekranda dönüşümlü olarak yanıp söner. Hataları görüntülemek için <b>MENU</b> (Menü) tuşuna basın ve <b>Diagnostics</b> (Tanılar) seçeneğini belirleyin. Daha sonra cihazla ilişkili olan sorunları görüntülemek için cihazı seçin.

## Ek ekran biçimleri

- Ölçüm parametreleri arasında geçiş yapmak için Main Measurement (Ana Ölçüm) ekranından **YUKARI** ve **AŞAĞI** ok tuşlarına basın
- 4 ölçüm parametresine kadar bölünmüş görünüme geçiş yapmak için Main Measurement (Ana Ölçüm) ekranından **SAĞ** ok tuşuna basın. Ek ölçümler eklemek için **SAĞ** ok tuşuna basın. Main Measurement (Ana Ölçüm) ekranına geri dönmek için gerektiği kadar **SOL** ok tuşuna basın
- Grafik ekranına geçiş yapmak için Main Measurement (Ana Ölçüm) ekranından **SOL** ok tuşuna basın (Parametreleri tanımlamak için bkz. [Grafik ekranı](#) sayfa 328). Ölçüm grafikleri arasında geçiş yapmak için **YUKARI** ve **AŞAĞI** ok tuşlarına basın

## Grafik ekranı

Grafik, kullanımda olan her kanal için konsantrasyonu ve sıcaklık ölçümlerini gösterir. Grafik, eğilimlerin kolay izlenmesini sağlar ve prosesteki değişimleri gösterir.



1. Bir grafik seçmek için grafik ekranında yukarı ve aşağı ok tuşlarını kullanın ve **HOME** tuşuna basın.
2. Bir seçenek belirleyin:

Seçenek	Açıklama
<b>MEASUREMENT VALUE (Ölçüm Değeri)</b>	Seçili kanal için ölçüm değerini belirleyin. Auto Scale (Otomatik Ölçeklendir) ve Manually Scale (Manuel Olarak Ölçeklendir) arasında seçim yapın. Manuel olarak ölçeklendirme için minimum ve maksimum ölçüm değerlerini girin
<b>DATE &amp; TIME RANGE (Tarih ve Saat Aralığı)</b>	Mevcut seçenekler arasından tarih ve saat aralığını seçin

## Çalıştırma

### Sensörü yapılandırma

Sensörün tanımlama bilgilerini girmek ve veri işleme ve depolama seçeneklerini değiştirmek için YAPILANDIR menüsünü kullanın.

1. **Menü** tuşuna basın, SENSÖR AYARI>YAPILANDIR öğelerini seçin.
2. Bir seçeneği seçmek için yön tuşlarını kullanın ve **enter** tuşuna basın. Sayıları, karakterleri veya noktalama işaretlerini girmek için **yukarı** veya **aşağı** yön tuşlarına basılı tutun. Bir sonraki alana ilerlemek için **sağ** yön tuşuna basın.

Seçenek	Açıklama
<b>ADI DÜZENLE</b>	Ölçüm ekranının üzerindeki sensöre karşılık gelen adı değiştirir. Ad; harflerin, sayıların, boşlukların veya noktalama işaretlerinin herhangi bir kombinasyonundan oluşur ve maksimum 16 karakterle sınırlıdır.
<b>SENSÖR S/N</b>	Kullanıcının sensörün seri numarasını girmesine izin verir; seri numarası harf, rakam, boşluk ve noktalama işaretlerinin herhangi bir kombinasyonundan oluşur ve 16 karakterle sınırlıdır.
<b>ÖLÇÜM BİRİMLERİ</b>	Ölçüm birimlerini değiştirir — Mevcut listeden birim seçin.
<b>SIC BİRİMLERİ</b>	Sıcaklık birimlerini °C (varsayılan) veya °F olarak ayarlar
<b>FİLTRE</b>	Sinyal sabitletmesini arttırmak için bir zaman sabiti belirler. Zaman sabiti, belirli bir süre içinde ortalama değeri hesaplar—0 (etkisiz, varsayılan) ila 60 saniye (60 saniye boyunca sinyal değeri ortalaması). Filtre, sensör sinyali süresini prosesteki asıl değişikliklere yanıt verecek şekilde artırır.
<b>LOG SETUP (Veri Kayıt)</b>	Veri günlüğündeki veri depolama zaman aralığını belirler—5, 30 saniye, 1, 2, 5, 10, 15 (varsayılan), 30, 60 dakika.
<b>VARSAYILANLARI SIFIRLA</b>	Yapılandırma menüsünü varsayılan ayarlara getirir. Tüm sensör bilgileri kaybolur.

## Kalibrasyon

### Sensör kalibrasyonu hakkında

Sensör özellikleri zaman içinde yavaş yavaş değişir ve sensörün doğruluğunu kaybetmesine yol açar. Doğruluğu sağlamak için sensör düzenli olarak kalibre edilmelidir. Kalibrasyon sıklığı uygulamaya göre değişir ve en iyi deneyimle belirlenir.

### Sıcaklık kalibrasyonu

Sıcaklık sensörünün yılda bir defa kalibre edilmesi önerilir. Sıcaklık sensörünün ölçüm sensöründen önce kalibre edin.

1. Su sıcaklığını doğru bir termometre veya bağımsız bir cihazla ölçün.
2. **Menü** tuşuna basın ve SENSÖR AYARI>KALİBRE ET öğelerini seçin.

3. Parola kontrolörün güvenlik menüsünde etkinleştirilmişse parolayı girin.
4. 1 PT SIC KAL. seçeneğini seçin ve **enter** tuşuna basın.
5. Ham sıcaklık değeri görüntülenir. **Enter** tuşuna basın.
6. Görüntülenenden farklı ise doğru değeri girin ve **enter** tuşuna basın.
7. Kalibrasyonu onaylamak için **enter** tuşuna basın. Sıcaklık ofseti görüntülenir.

## Sıfır kalibrasyon

Sıfır değeri fabrika tarafından kalibre edilmiştir. Sensörün benzersiz sıfır noktasını tanımlamak için sıfır kalibrasyon prosedürünü kullanın.

1. Numune yoğunluğu <10 ppb ise en iyi sonuç için opsiyonel sıfır kalibrasyon kartuşu kullanılması ve (bkz. [Yedek parçalar ve aksesuarlar](#) sayfa 332) sensörün yerinde bırakılması önerilir. Aksi halde sensörü procesten çıkarın ve distile su ile durulayın.
2. **Menü** tuşuna basın ve SENSÖR AYARI>KALİBRE ET öğelerini seçin.
3. Parola kontrolörün güvenlik menüsünde etkinleştirilmişse parolayı girin.
4. SIFIR KAL. seçeneğini seçin ve **enter** tuşuna basın.
5. Kalibrasyon sırasında çıkış sinyali seçeneğini belirleyin:

### Seçenek Açıklama

<b>ETKİN</b>	Cihaz, ölçülen mevcut çıkış değerini kalibrasyon işlemi sırasında gönderir.
<b>BEKLET</b>	Sensör çıkış değeri, kalibrasyon prosedürü sırasında mevcut ölçüm değerinde tutulur.
<b>AKTAR</b>	Kalibrasyon sırasında ön ayarlı bir çıkış değeri gönderilir. Ön ayar değerini değiştirmek için kontrolör kullanım kılavuzuna başvurun.

6. Opsiyonel sıfır kalibrasyon kartuşu kullanılmıyorsa ultra saf su gibi hidrazinsiz bir çözelti içine temiz sensörü yerleştirin ve **enter** tuşuna basın.
7. Değerin sabitlenmesi için bir saate kadar bekleyin ve ardından **enter** tuşuna basın.
8. Kalibrasyon sonucunu gözden geçirin:
  - BAŞARILI—sensör kalibre edildi ve ofset görüntüldü.
  - HATA—kalibrasyon kabul edilen limitlerin dışında. Sensörü temizleyip yeniden deneyin. Daha fazla bilgi için bkz. [Arıza bulma](#) sayfa 332.
9. Kalibrasyon başarılı olursa devam etmek için **enter** tuşuna basın.
10. KAL. SEÇENEKLERİ menüsünde operatör kimliği seçeneği EVET olarak belirlenmişse bir operatör kimliği girin. Bkz. [Kalibrasyon seçeneklerinin değiştirilmesi](#) sayfa 331.
11. YENİ SENSÖR ekranında sensörün yeni olup olmadığını seçin:

### Seçenek Açıklama

<b>EVET</b>	Sensör, bu kontrolörle daha önce kalibre edilmedi. Sensörler için çalışma günleri ve önceki kalibrasyon eğrileri sıfırlandı.
<b>HAYIR</b>	Sensör, bu kontrolörle daha önce kalibre edildi.

12. Opsiyonel sıfır kalibrasyon kartuşu kullanılmıyorsa procesteki sensörü prosese döndürün ve **enter** tuşuna basın. Çıkış sinyali etkin duruma döner ve ölçülen numune değeri ölçüm ekranında gösterilir.  
**Not:** Çıkış modu beklet veya aktar olarak belirlenmişse çıkışların etkin duruma döneceği gecikme süresini seçin.

## Proses numunesiyle kalibrasyon

Sensör proses numunesinde kalabilir.

1. **Menü** tuşuna basın ve SENSÖR AYARI>KALİBRE ET öğelerini seçin.
2. Parola kontrolörün güvenlik menüsünde etkinleştirilmişse parolayı girin.

- NUMUNE KAL. seçeneğini seçin ve **enter** tuşuna basın.
- Kalibrasyon sırasında çıkış sinyali seçeneğini belirleyin:

#### Seçenek Açıklama

<b>ETKİN</b>	Cihaz, ölçülen mevcut çıkış değerini kalibrasyon işlemi sırasında gönderir.
<b>BEKLET</b>	Sensör çıkış değeri, kalibrasyon prosedürü sırasında mevcut ölçüm değerinde tutulur.
<b>AKTAR</b>	Kalibrasyon sırasında ön ayarlı bir çıkış değeri gönderilir. Ön ayar değerini değiştirmek için kontrolör kullanım kılavuzuna başvurun.

- Sensör proses numunesi içindeyken **enter** tuşuna basın. Ölçüm değeri gösterilir. Değerin sabitlenmesini bekleyip **enter** tuşuna basın.
- Onaylı bir ikincil cihaz aracılığıyla numunenin konsantrasyonunu ölçün. Numunede kirliliği önlemek için numune akış bölmesine girmeden önce ölçüm işlemini gerçekleştirin. Görüntülenenden farklı ise bu değeri girmek için yön tuşlarını kullanın ve **enter** tuşuna basın.
- Kalibrasyon sonucunu gözden geçirin:
  - BAŞARILI—sensör kalibre edildi ve kalibrasyon ögesi görüntülandı.
  - HATA—kalibrasyon kabul edilen limitlerin dışında. Sensörü temizleyip yeniden deneyin. Daha fazla bilgi için bkz. [Arıza bulma](#) sayfa 332.
- Kalibrasyon başarılı olursa devam etmek için **enter** tuşuna basın.
- KAL. SEÇENEKLERİ menüsünde operatör kimliği seçeneği EVET olarak belirlenmişse bir operatör kimliği girin. Bkz. [Kalibrasyon seçeneklerinin değiştirilmesi](#) sayfa 331.
- YENİ SENSÖR ekranında sensörün yeni olup olmadığını seçin:

#### Seçenek Açıklama

<b>EVET</b>	Sensör, bu kontrolörle daha önce kalibre edilmedi. Sensörler için çalışma günleri ve önceki kalibrasyon eğrileri sıfırlandı.
<b>HAYIR</b>	Sensör, bu kontrolörle daha önce kalibre edildi.

- Sensör proses halindeyken **enter** tuşuna basın. Çıkış sinyali etkin duruma döner ve ölçülen numune değeri ölçüm ekranında gösterilir.  
**Not:** Çıkış modu beklet veya aktar olarak belirlenmişse çıkışların etkin duruma döneceği gecikme süresini seçin.

## Kalibrasyon seçeneklerinin değiştirilmesi

Kullanıcı, bir kalibrasyon hatırlatıcısı seçebilir veya bu menüden kalibrasyon verileri ile bir operatör kimliğini dahil edebilir.

- menü tuşuna basınız ve SENSOR SETUP > CALIBRATE seçiniz.
- Eğer kontrol edici için güvenlik menüsünde pas-kod etkinleştirilmiş ise, pas-kod giriniz.
- CAL OPTIONS (KALİBRASYON SEÇENEKLERİ) seçiniz ve **enter** basınız.
- Bir seçeneği seçmek için ok tuşlarını kullanınız ve **enter** basınız.

Seçenek	Açıklama
<b>CAL REMINDER (KALİBRASYON HATIRLATICISI)</b>	Günler, aylar veya yıllar cinsinden bir sonraki kalibrasyon için hatırlatıcı belirler - listeden gereken zaman aralığını seçiniz
<b>OP ID ON CAL (KALİBRASYONDA OPERATÖR KİMLİĞİ)</b>	Kalibrasyon verileri ile bir operatör kimliğini (ID) içerir - YES (EVET) veya NO (HAYIR) (varsayılan). Kimlik, kalibrasyon sırasında girilir.

## Bakım

### ▲ TEHLİKE

Birden fazla tehlike. Belgenin bu bölümünde açıklanan görevleri yalnızca yetkili personel gerçekleştirmelidir.

## Temizleme ve arındırma

### ⚠ TEHLİKE

Bakım işlemleri yapmadan önce kontrol cihazının gücünü mutlaka kesin.

Analizör normalde temizleme veya arındırma gerektirmez. Gerekirse cihazın dışını nemli bezle ve hafif sabunlu bir çözeltiyle temizleyin. Cihazı, ekranını ve aksesuarlarını temizlemek için kesinlikle terebentin, aseton veya benzeri temizleme ajanlarını kullanmayın.

## Arıza bulma

### Uyarı listesi

Bir uyarı simgesi, üçgen içerisindeki ünlem işaretinden oluşur. Uyarı simgeleri ana ekranın sağında, ölçüm değerinin altında görüntülenir. Uyarı, menülerin, rölelerin ve çıkışların çalışmasını etkilemez. Uyarıları görüntülemek için **menü** tuşuna basın ve TANILAR'ı seçin. Daha sonra cihazla ilişkili olan sorunları görüntülemek için cihazı seçin. Sorun giderildiğinde veya onaylandığında uyarı simgesi artık görüntülenmez.

Olası uyarıların bir listesi [Tablo 5](#) içinde gösterilir.

**Tablo 5 Oksijen tutucu sensörleri için uyarı listesi**

Uyarı	Açıklama	Hassasiyet
O2 TUTUCU ÇOK YÜKSEK	Ölçüm değeri > 10000 ppm'dir	Proses suyundaki oksijen tutucu (hidrazin veya karbohidrazit) seviyesinin sensörün çalışma limitleri dahilinde olduğundan emin olun. Sensörü kalibre edin veya değiştirin.
O2 TUTUCU ÇOK DÜŞÜK	Ölçüm değeri < 0 ppm'dir	Sensörü kalibre edin veya değiştirin.
SICAKLIK ÇOK YÜKSEK	Ölçülen sıcaklık > 50°C	Numune sıcaklığını düşürün.
SIC ÇOK DÜŞÜK	Ölçülen sıcaklık < 0 °C'dir	Numune sıcaklığını artırın.
AKIM ÇOK YÜKSEK	Ölçülen akım >200 mA	Proses suyundaki oksijen tutucu (hidrazin veya karbohidrazit) seviyesinin sensörün çalışma limitleri dahilinde olduğundan emin olun. Sensörü kalibre edin veya değiştirin.
AKIM ÇOK DÜŞÜK	Ölçülen akım <-0,5 mA	Sensörü kalibre edin veya değiştirin.
KAL SÜR GEÇ	Kal Hatırlatma süresi geçti	Sensörü kalibre edin.
SENSÖRÜ DEĞİŞTİR	Sensör çalışıyor > 365 gün	Sensör kartuşunu değiştirip sensörü kalibre edin. Kalibrasyon sonucu başarılı ise TANI/TEST menüsünde membran gün sayısını sıfırlayın.
KALİBRE EDİLMEDİ	Sensör kalibre edilmedi	Sensörü kalibre edin.
KAL. SÜRÜYOR	Bir kalibrasyon başlatıldı, ancak tamamlanmadı	Kalibrasyona dönün.

## Yedek parçalar ve aksesuarlar

Kontrolör parçaları ve aksesuarları için kontrolör belgesinin yedek parçalar ve aksesuarlar bölümünü inceleyin.

**Not:** Bazı satış bölgelerinde ürün ve madde numaraları değişebilir. İrtibat bilgileri için ilgili distribütöre veya şirketin internet sitesine başvurun.

## İki yıllık yedek parçalar kiti - 09186=A=8000

Açıklama	Miktar	Öge no.
Filtre	6	363877,06000
Referans elektrodu	1	368429,00000
Venturi enjeksiyon başlığı	1	359090,00024
Venturi enjeksiyon başlığı için O halkası	1	356099,05090
Plastik temizleme boncukları	7	588801,75008
4 x 6 mm PE hortumu	2 metre	151575,00006

## Ölçüm bölümü

Açıklama	Öge no.
Ölçüm bölümü	09186=A=0100
Referans elektrodu	368429,00000
Çalışma elektrodu	09186=A=0300
Giriş dirseği bağlantı parçası G1/8 DN 4/6	359103,10070
Çıkış bağlantı parçası G1/8 DN6/8	359103,10055
Fiş NPT1/8	431=201=018
Ekipmanlı kondisyonlama şişesi	09186=A=0200
Kahverengi cam şişe	490=010=011
Gözenekli kartuş	09073=C=0340
Bağlantı parçası G1/8 DN4/6	359103,10065
Donanımlı akış hızı kontrolörü	09186=A=0400
Giriş bağlantı parçası G1/4 DN4/6	587=006=002
Kısa dirsek bağlantı parçası G1/4 DN4/6	359103,10072
Uzun dirsek bağlantı parçası G1/4 DN4/6	587=906=002
Akış ölçer	694=000=001
Dirsek bağlantı parçası NPT1/8 DN4/6	359103,10170

## Aksesuarlar

Açıklama	Öge no.
Kimyasal sıfırlama kalibrasyonu için kartuş	09186=A=0600







**HACH COMPANY World Headquarters**

P.O. Box 389, Loveland, CO 80539-0389 U.S.A.  
Tel. (970) 669-3050  
(800) 227-4224 (U.S.A. only)  
Fax (970) 669-2932  
orders@hach.com  
www.hach.com

**HACH LANGE GMBH**

Willstätterstraße 11  
D-40549 Düsseldorf, Germany  
Tel. +49 (0) 2 11 52 88-320  
Fax +49 (0) 2 11 52 88-210  
info-de@hach.com  
www.de.hach.com

**HACH LANGE Sàrl**

6, route de Compois  
1222 Vézenaz  
SWITZERLAND  
Tel. +41 22 594 6400  
Fax +41 22 594 6499