

Noise sensor is a kind of digital and modular multi-function sound level meter. Using a digital signal processing chip and digital detection technology, has a high reliability, good stability, wide dynamic range, without range switching, etc. Can be widely applied to various machines, vehicles, ships, electrical appliances and other industrial noise measurement, can also be used for environmental noise measurement, labor protection, industrial hygiene.

FEATURES

- High Sensitivity
- Fast response
- Low consumption
- Excellent stability
- Long service life



APPLICATIONS

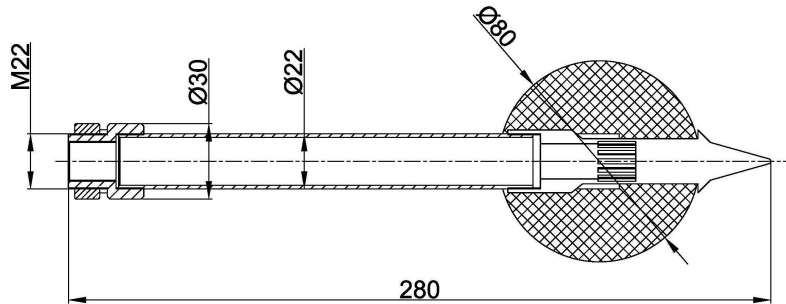
- Environment quality monitoring
- Smart home
- Warehousing
- Public place
- Labor protection
- Animal husbandry

TECHNICAL SPECIFICATION

Item	Technical Specification
Range	30-130dB
Accuracy	±3dB@23±5°C, accordance with IEC 61672 standard type 2, calibrated at 94dB(1kHz) input
Frequency response	31.5Hz - 8kHz.
Corrector	B&K 4226
Microphone	Capacitive microphone , size: 0.5 inch
Supply	5VDC, 12-24VDC
Output	RS485
Power Consumption	<20mW
Response Time	<200ms
Operating Temperature	-10°C - +50°C @ 5-80%RH
Storage	-40-70°C @ 20%-90%RH
Shell Material	ABS & 304SS

DIMENSION


Unit:mm



PARAMETER SELECTION TABLE

Remark	Series	Type	Supply	Output	Cable Length	
RK						
	300					
		06				
			A			5V
			B			12-24V
			X			Other
				A		RS485(MODBUS-RTU)
				X		Other
					2000	Units:mm (typ)
					3000	Units:mm
					...	Units:mm

Example: RK300-06BA2000 Supply:12-24V, Output:RS485, Cable Length:2m.

 Complies with applicable CE directives.

Specifications subject to change without notice. Version 3.0

Copyright © 2015 Hunan Rika Electronic Technology Co.,Ltd

Hunan Rika Electronic Technology Co., Ltd

Add:No 499# of Yingxin Road,
Yuhua District,Changsha,
Hunan,China



+86-731-85132979



info@rikasensor.com



www.rikasensor.com.cn