

RK210-01 Illuminance Sensor is very sensitivity and can detect weak light, has a wide measuring range, high accuracy, good waterproof performance, easy to use, easy to install. It's suitable for most applications, especially in agricultural greenhouses, urban lighting and other places.

FEATURES

- High sensitivity
- Applicable to various harsh environments
- High precision, wide measuring range
- Compact size
- Easy installation



ABS housing without display



ABS housing with display



Metal(aluminium alloy) housing without display

APPLICATIONS

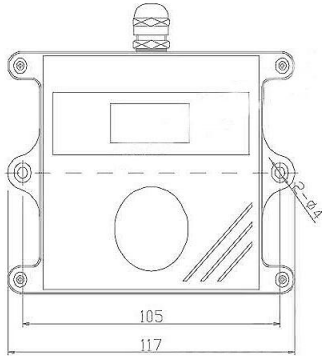
- Agro-meteorological
- Intelligent buildings
- Greenhouse control
- Weather stations
- Crop monitoring

SPECIFICATIONS

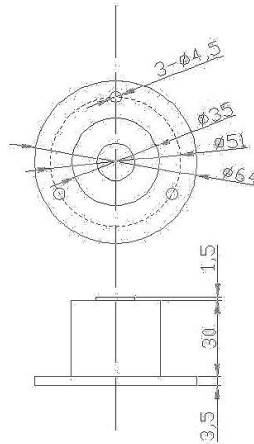
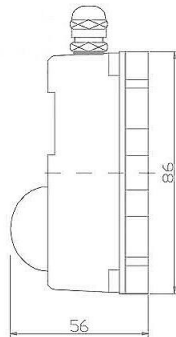
Item	Specification	
Range	0-2000lux,0-20klux,0-200klux optional	
Spectral range	380-780nm	
Supply	5VDC,12-24VDC	
Output	4-20mA,0-5V,0-10V	RS485
Accuracy	<±5%FS	<±4%FS
Response time	1s	
Temperature effect	±0.2%/°C	
Repeatability	<1%FS	
Display	LCD optional(ABS housing)	
Operating temperature	-40°C-+75°C	
Weight(unpacked)	170g	
Shell material	ABS,metal shell can be customized	

DIMENSION

Unit:mm



ABS housing



Metal housing

PARAMETER SELECTION TABLE

Remark	Series	Type	Supply	Range	Output	Cable Length	
RK							
	210						
		01A					ABS housing
		01B					Metal housing
			A				5V
			B				12-24V
			X				Other
				A			0-2000lux
				B			0-20klux
				C			0-200klux
				X			Other
					A		4-20mA
					B		0-5V
					C		0-10V
					D		RS485
					X		Other
						2000	Units:mm (typ)
						3000	Units:mm
						...	Units:mm

Example: RK210-01ABBA2000 ABS housing,Supply: 12-24V, Range:0-20klux,Output:4-20mA,Cable Length:2m.



Complies with applicable CE directives.

Specifications subject to change without notice. Version 1.0

Copyright © 2015 Hunan Rika Electronic Technology Co.,Ltd

Hunan Rika Electronic Technology Co., Ltd

Add:No 499# of Yingxin Road,
Yuhua District,Changsha,
Hunan,China



+86-731-85132979



info@rikasensor.com



www.rikasensor.com.cn