

RK100-05 Pipe Wind Speed Sensor

RK100-05 Pipe Wind Speed Sensor is designed on the basis of the principle of hot-wire, the probe and housing adopt resistance to high temperature and anti-corrosion materials. In the bad environment, it also can work stably and reliably. It can quickly and accurately tiny air flow measurement. The product has realized high precision and high resolution through internal linear compensation and temperature calibration, and long term stability is extremely good, which should be installed directly.

FEATURES

- High accuracy in low speed
- High resistance to the instantaneous wind speed
- Strong corrosion resistant ability
- Wide range, good stability
- Various output signals optional
- Easy Installation



APPLICATIONS

- HVAC
- Air condition
- Ventilating system
- Flue gas cleaning system
- Air purification system

SPECIFICATIONS

Item	Specification
Output	4-20mA,0-10V,RS485,0-5V
Supply	12-24VDC
Range	0-5m/s,0-10m/s,0-20m/s,0-30m/s
Response time	<1s
Accuracy(0-50℃)	±0.2%FS
Resolution	<0.05m/s
Power consumption	<80mA@24VDC(4-20mA) <60mA@24VDC(RS485,0-5V,0-10V)
Long-term stability	±0.1m/s per year
Display	optional
Ingress Protection	IP55
Operating Temperature	-20℃~+70℃
Main material	ABS
Probe length	210mm typ., Other length can be customized
Storage Condition	10℃-60℃@20%-90%RH

OUTPUT CHARACTERISTICS

- **4-20mA**

$$V(m/s)=((I_{out}-4)/(20-4))*(Range_max-Range_min)+Range_min$$

- **0-10V**

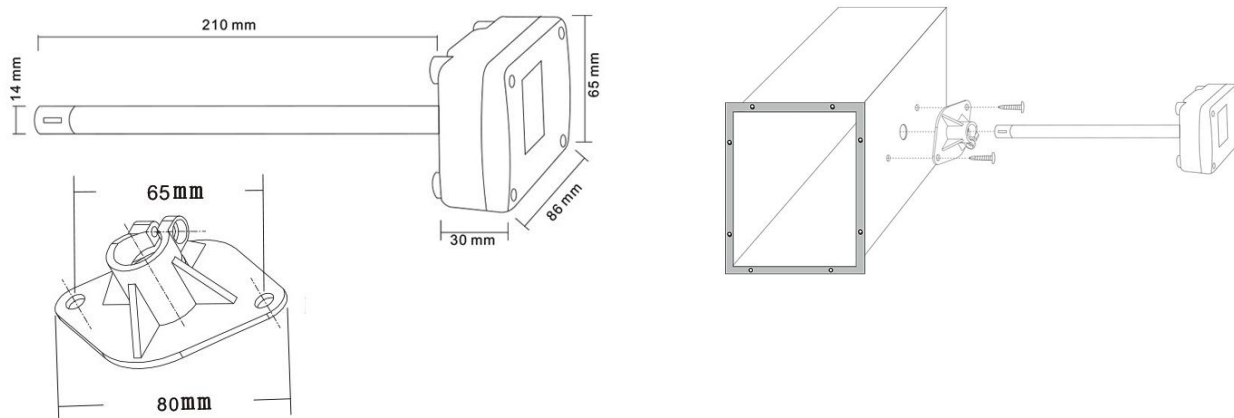
$$V(m/s) = (V_{out}/10) * (Range_{max} - Range_{min}) + Range_{min}$$

- **RS485**

If the transmission distance is over 100m, please add a 120Ω terminal matching resistances on the front end and back end of bus interface respectively. See the modbus communication protocol specification.

DIMENSION & MOUNTING

When installing the product, please keep the direction of the arrow on the probe and the direction of the wind.




PARAMETER SELECTION TABLE

Remark	Series	Type	Output	Range	Display	
RK						
	100					
		05				
			A			4-20mA
			B			0-10V
			C			RS485
			X			Other
				A		0-5m/s
				B		0-10m/s
				C		0-20m/s
				D		0-30m/s
				X		Other
					D	With display
					N	Without display

Example: RK100-05ABN Output:4-20mA,Range:0-10m/s, without display

The default power supply voltage is 12-24VDC, if you have other requirements please confirm when ordering.


 Complies with applicable CE directives.

Specifications subject to change without notice. Version 3.0


Copyright © 2015 Hunan Rika Electronic Tech Co.,Ltd

Hunan Rika Electronic Tech Co., Ltd

Add: Building B5, Taskin, Yuhua District,
Changsha City, Hunan Province,
China

 +86-731-85132979

 info@rikasensor.com

 www.rikasensor.com