

RK120-08 Ultrasonic Wind Speed & Direction Sensor's work principle is by ultrasonic transit-time to measure the wind speed. The Anemometer has the feature of light weight, no moving parts, durability. And again, no need maintenance and on-site calibration, wind speed and direction can also output at the same time. If necessary, customers may select wind speed unit, the output frequency and output format, may also select the heating device (recommended in the cold environment) or analog output. It can connect with computers, data acquisition, or other RS485 or analog output consistent with the collection of equipment. If necessary, you can also form a network of multiple to use. Ultrasonic Anemometer is an advanced equipment of wind speed detection. Because it can overcome the inherent defects of mechanical anemometer, it can work in whole day, long time. it gets more and more widely used and is a powerful replacement of mechanical anemometer.

FEATURES

- No limit to Start wind speed, 360 ° operation, and measure wind speed, wind direction,
- Work whole day, free from rain, snow, frost, weather
- High accuracy; stable
- Strong, resistant corrosion, installation and use without fear of damage;
- Design is flexible, lightweight, portability, easily installation or undo;
- Easily signal access, while provide both analog and digital signals;



APPLICATIONS

- City environmental monitoring
- Wind power generation
- Weather monitoring
- Bridges, tunnels
- Sailing ship
- Airport

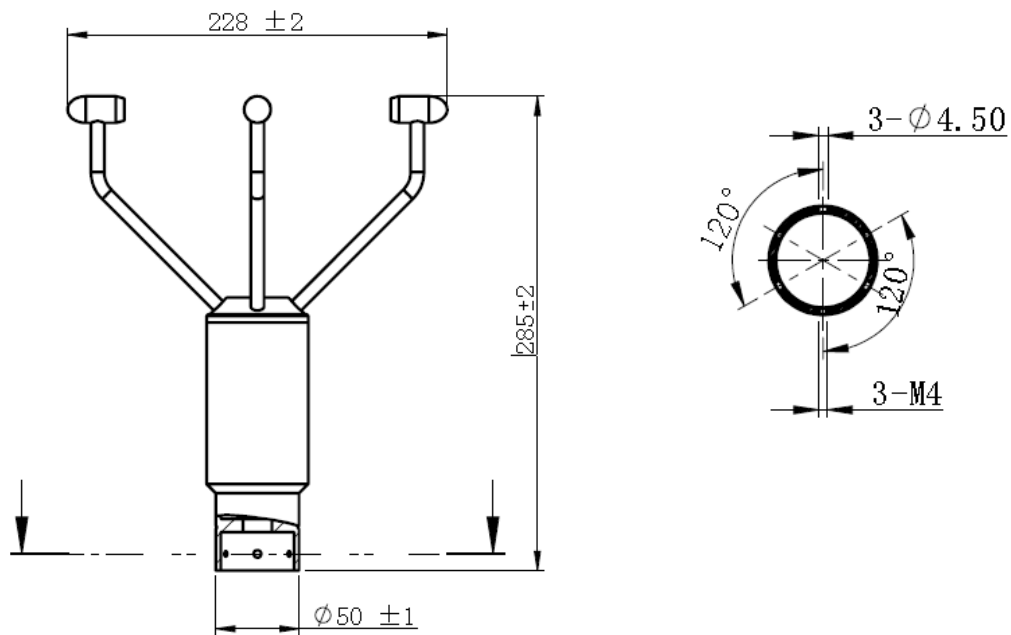
TECHNICAL SPECIFICATION

Item	Technical Specification	
	Wind speed	Wind direction
Range	0-60m/s	0-359°
Accuracy	±2%	±3°
Resolution	0.01m/s	1°
Power Supply	12-24VDC(Heating must be 24VDC)	
Power consumption	<0.2W (Heating not activated); <48W (Heating activated)	
Output Signal	RS232/RS485(Modbus/NMEA-0183),4-20mA,SDI-12	
Wind speed unit	m/s, knots, mph, kph, ft/min	
Ultrasonic output frequency	1Hz (default); 10Hz (optional)	
Operating Temperature	-50℃ - +70℃	
Ingress Protection	IP66	
Heating power	40W max.	
Dimension/ Weight(unpacked)	Φ 228*286mm/1.13kg	
Main material	Stainless steel + aluminum alloy	

MOUNTING & DIMENSION

There is rotary adjustable mounting holes at the bottom of the sensor, when mounting the sensor, to ensure the indicator on on the sensor comply with the geographic north.


Unit: mm



PARAMETER SELECTION TABLE

Remark	Series	Type	Supply	Output	Cable length	
RK						
	120					
		08				
			A			12-24V
			X			Other
				A		4-20mA
				B		RS485(Modbus)
				C		RS485(NMEA-183)
				D		RS232(Modbus)
				E		RS232(NMEA-183)
				F		SDI-12
					4000	4m, default
					10000	10m
					...	

Example: RK120-08AA4000, Supply:12-24V, Output:4-20mA, Cable length:4m.


 Complies with applicable CE directives.

Specifications subject to change without notice. Version 1.0

Copyright © 2015 Hunan Rika Electronic Tech Co.,Ltd

Hunan Rika Electronic Tech Co., Ltd

Add: Building B5, Taskin, Yuhua District,
Changsha City, Hunan Province,
China

 +86-731-85132979

 info@rikasensor.com

 www.rikasensor.com