

# NXR-700

## SERVICE MANUAL

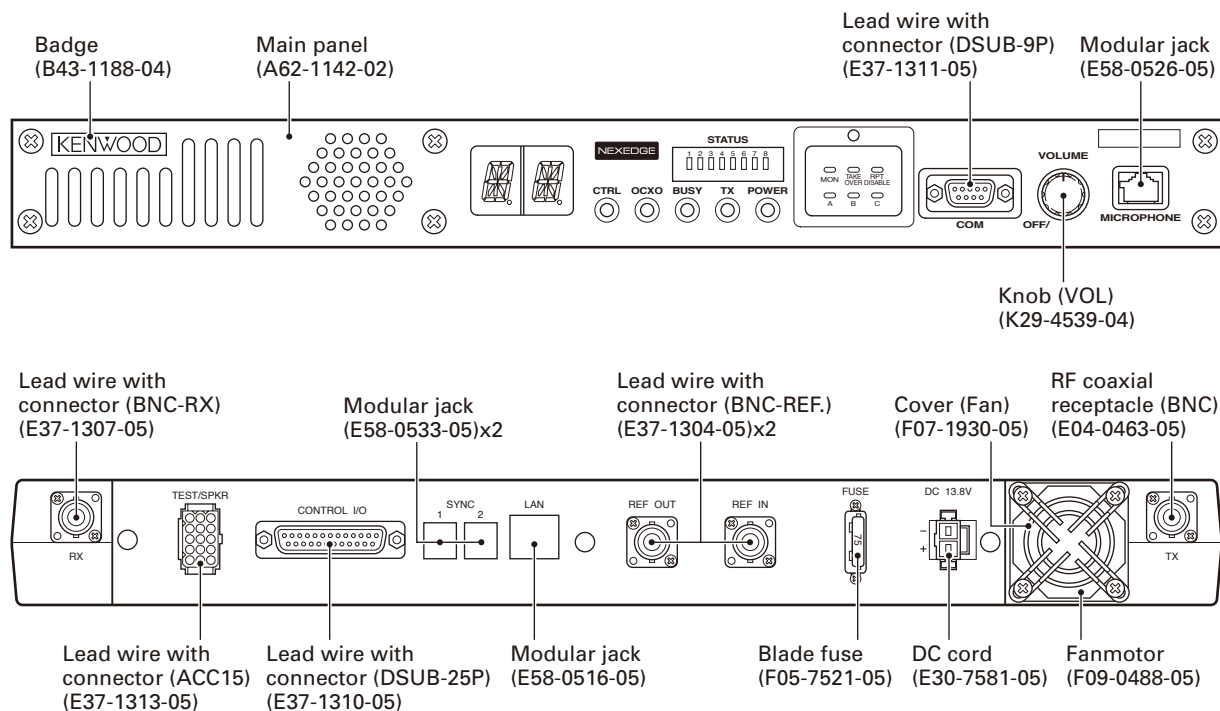
### SUPPLEMENT

# KENWOOD

Kenwood Corporation

© 2008-4 PRINTED IN JAPAN  
B51-8826-00 (N) 546

This NXR-700 (K, K2) service manual contains a number of sections which differ from the service manual (B51-8794-00) for the NXR-700 (K).  
For items other than those in this NXR-700 (K, K2) service manual please refer to the service manual (B51-8794-00) for the NXR-700 (K).



## CONTENTS

<b>GENERAL</b> .....	<b>2</b>	<b>TROUBLE SHOOTING</b> .....	<b>41</b>
<b>SYSTEM SET-UP</b> .....	<b>3</b>	<b>ADJUSTMENT</b> .....	<b>49</b>
<b>REALIGNMENT</b> .....	<b>3</b>	<b>PC BOARD</b> .....	<b>60</b>
<b>INSTALLATION</b> .....	<b>5</b>	<b>BLOCK DIAGRAM</b> .....	<b>86</b>
<b>CIRCUIT DESCRIPTION</b> .....	<b>6</b>	<b>INTERCONNECTION DIAGRAM</b> .....	<b>90</b>
<b>PARTS LIST</b> .....	<b>8</b>	<b>SCHEMATIC DIAGRAM</b> .....	<b>94</b>
<b>EXPLODED VIEW</b> .....	<b>38</b>	<b>OPTIONAL ACCESSORIES</b> .....	<b>118</b>
<b>PACKING</b> .....	<b>40</b>	<b>SPECIFICATIONS</b> .....	<b>BACK COVER</b>



## GENERAL

### Document Copyrights

Copyright 2008 by Kenwood Corporation. All rights reserved.

No part of this manual may be reproduced, translated, distributed, or transmitted in any form or by any means, electronic, mechanical, photocopying, recording, or otherwise, for any purpose without the prior written permission of Kenwood.

### Disclaimer

While every precaution has been taken in the preparation of this manual, Kenwood assumes no responsibility for errors or omissions. Neither is any liability assumed for damages resulting from the use of the information contained herein. Kenwood reserves the right to make changes to any products herein at any time for improvement purposes.

### Firmware Copyrights

The title to and ownership of copyrights for firmware embedded in Kenwood product memories are reserved for Kenwood Corporation. Any modifying, reverse engineering, copy, reproducing or disclosing on an Internet website of the firmware is strictly prohibited without prior written consent of Kenwood Corporation. Furthermore, any reselling, assigning or transferring of the firmware is also strictly prohibited without embedding the firmware in Kenwood product memories.

### NXDN Transceivers:

The AMBE+2(TM) voice coding technology is embedded in the firmware under the license of Digital Voice Systems, Inc.

### INTRODUCTION

#### SCOPE OF THIS MANUAL

This manual is intended for use by experienced technicians familiar with similar types of commercial grade communications equipment. It contains all required service information for the equipment and is current as of the publication date. Changes which may occur after publication are covered by either Service Bulletins or Manual Revisions. These are issued as required.

#### ORDERING REPLACEMENT PARTS

When ordering replacement parts or equipment information, the full part identification number should be included. This applies to all parts : components, kits, or chassis. If the part number is not known, include the chassis or kit number of which it is a part, and a sufficient description of the required component for proper identification.

#### PERSONAL SAFETY

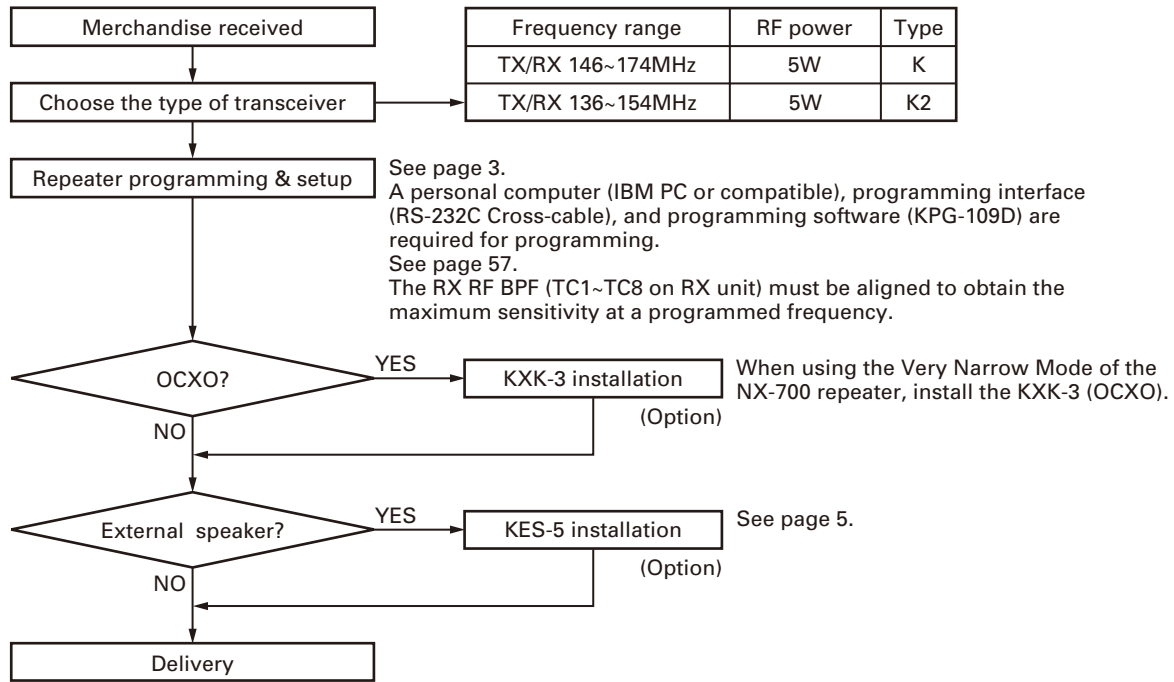
The following precautions are recommended for personal safety :

- DONOT transmit if someone is within two feet (0.6 meter) of the antenna.
- DONOT transmit until all RF connectors are secure and any open connectors are properly terminated.
- SHUT OFF this equipment when near electrical blasting caps or while in an explosive atmosphere.
- All equipment should be properly grounded before power-up for safe operation.
- This equipment should be serviced by only qualified technicians.

#### SERVICE

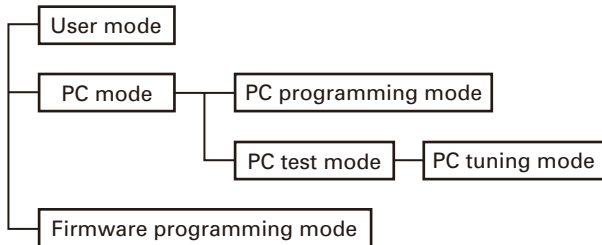
This transceiver is designed for easy servicing. Refer to the schematic diagrams, printed circuit board views, and alignment procedures contained within.

## SYSTEM SET-UP



## REALIGNMENT

### 1. Modes



Mode	Function
User mode	Use this mode for normal operation.
PC mode	Use this mode to make various settings by means of the FPU through the RS-232C port.
PC programming mode	Use to read and write frequency data and other features to and from the repeater.
PC test mode	Use to check the repeater using the PC. This feature is included in the FPU.
Firmware programming mode	Use when changing the firmware program of the flash memory.

### 2. How to Enter Each Mode

Mode	Operation
User mode	Power on.
PC mode	Received commands from PC.
Firmware programming mode	Received commands from PC.

### 3. PC Mode

#### 3-1. Preface

The NXR-700 repeater is programmed by using a personal computer, programming interface and KPG-109D software.

#### 3-2. Connection Procedure

1. Connect the NXR-700 to the personal computer with the interface cable.
2. When power is applied, the user mode is entered immediately. When the PC sends a command, the repeater enters the PC mode and displays "PC" on the 17-segment LED. When data is being transmitted to the PC from the repeater, the TX LED flashes. The BUSY LED flashes when data from the PC is being received by the repeater.

# NXR-700

## REALIGNMENT

### Note:

- The data stored in the personal computer must match the model type, when it is written into the flash memory.
- Change the NXR-700 to PC mode, then attach the RS-232C Cross-cable.

### 3-3. KCT-53U Description (USB adapter: Option)

The KCT-53U is cable which connects the RS-232C Cross-cable to a USB port on a computer.

When using the KCT-53U, install the supplied CD-ROM (with driver software) in the computer. The KCT-53U driver runs under Windows 2000 or XP.

### 3-4. Programming Software Description

The KPG-109D is the programming software for NXR-700 supplied on a CD-ROM. This software runs under Windows 2000, XP or Vista on an IBM-PC or compatible machine.

The data can be input to or read from NXR-700 and edited on the screen. The programmed or edited data can be printed out. It is also possible to tune the transceiver.

### 3-5. Programming With IBM PC

Data can be programmed into the flash memory in RS-232C format via the COM connector.

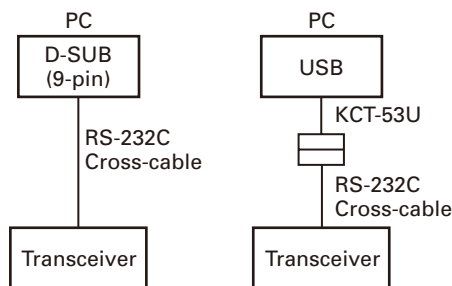
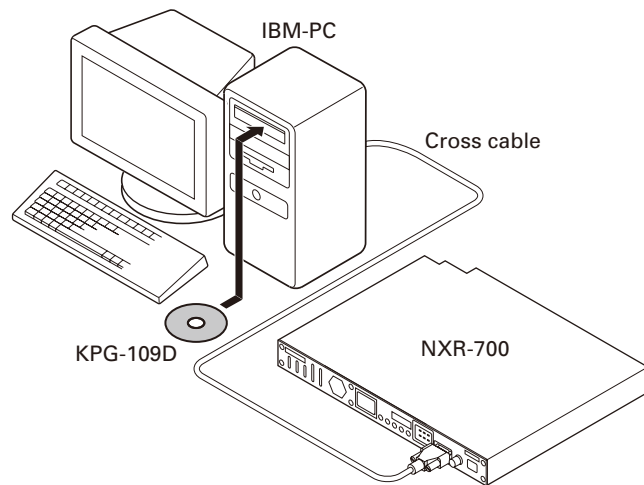


Fig. 1

## 4. Firmware Programming Mode

### 4-1. Preface

The NXR-700 uses flash memory to allow it to be easily upgraded when new features are released in the future.

### 4-2. Connection Procedure

Connect the NXR-700 to the personal computer (IBM PC or compatible) with the RS-232C Cross-cable. (Connection is the same as in the PC mode.)

### Notes:

You can only program firmware from the DB-9 COM connector on the front panel. Using the 25-pin logic interface on the rear panel will not work.

### 4-3. Programming

1. Start up the programming software (Fpro. exe).  
The Fpro. exe exists in the KPG-109D installed holder.
2. Set the communications speed (normally, 115200 bps) and communications port in the configuration item.
3. Set the firmware to be updated by file name item.
4. Turn the NXR-700 power on.
5. Check the connection between the NXR-700 and the personal computer, and make sure that the NXR-700 is in the program mode.
6. Press write button in the window. A window opens on the display to indicate progress of writing.
7. If writing ends successfully, the NXR-700 restarts.
8. If you want to continue programming other NXR-700s, repeat steps 3 to 6.

### Notes:

It automatically enters the firmware program mode by the writing request from the programming software (KPG-109D).

### 4-4. Function

Baud rate is decided automatically with setting of programming software.

### Note:

Normally, write in the high-speed mode (115200 bps).

## INSTALLATION

### 1. External Speaker (KES-5)

The NXR-700 has a internal built-in speaker, and the external speaker output from the TEST/SPKR connector (15-pin) on the rear of the radio is 3W/4Ω. Use external speaker KES-5.

#### 1-1. Connection for the KES-5 With the NXR-700

##### ■ When taking the AF output from the TEST/SPKR connector (15-pin) on the rear of the radio

The following tools are required for changing the connector.

##### • Extracting tool

The following extracting tool is recommended:  
Molex Inc. Order No.: 11-03-0002 (W05-0878-00)

1. Remove the connector with jumper from the external speaker connector on the rear panel of the radio. (Fig. 1-1)  
**Note:** Save the jumper, which is required when the radio is used without the external speaker.
2. Remove the terminals with the jumper from the connector housing holes number 9 and 12 using the extracting tool.

##### Removing the jumper lead (Fig. 1-2)

- 1) Insert the extracting tool (11-03-0002) into the connector while pushing the jumper lead in the direction of (a).
  - 2) Push the extracting tool into collapse the barbs of the crimp terminal.
  - 3) Pull out the lead while continuing to push the extracting tool in the direction (b).
3. Reinsert the terminal with the black and white stripe lead into hole number 12, and the terminal with the black lead into hole number 6. (Fig. 1-3)
  4. Attach the connector to the external speaker connector on the radio.

##### Notes:

- Relationship between TEST/SPKR connector (15-pin) connection and speaker output.
- When pins 9 and 12 are shorted: Built-in internal speaker is used.
- When pins 9 and 12 are open and output is from pins 6 and 12: KES-5 is used.

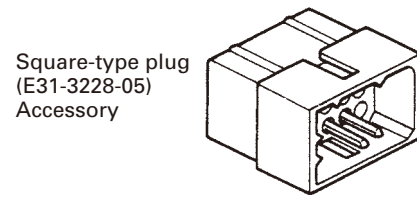


Fig. 1-1

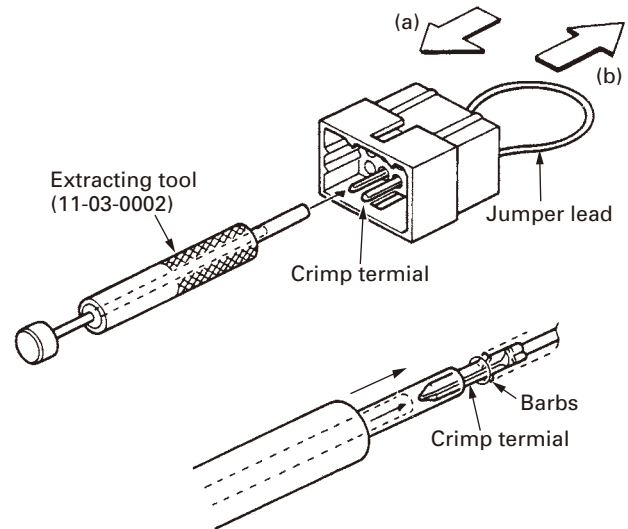


Fig. 1-2

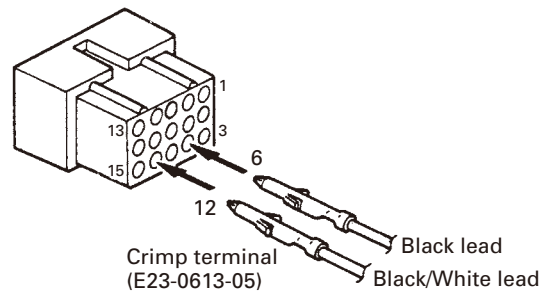


Fig. 1-3

## CIRCUIT DESCRIPTION

### 1. Transmitter main PLL circuit

The transmitter main PLL circuit consists of the VCO (Q102 and Q103), PLL IC (IC101) and divide-by-2 circuit (IC811) and produces the transmitter frequency signal.

The VCO Q102 produces transmitter frequencies from 146.000MHz to 159.995MHz (K), 136.000MHz to 144.995MHz (K2). (The transmitter frequency of the VCO is from 292.000MHz to 319.990MHz (K), 272.000MHz to 289.990MHz (K2).)

The VCO Q103 produces transmitter frequencies from 160.000MHz to 174.000MHz (K), 145.000MHz to 154.000MHz (K2). (The transmitter frequency of the VCO is from 320.000MHz to 348.000MHz (K), 290.000MHz to 308.000MHz (K2).)

The signal produced by the VCO (Q102 or Q103) is fed to the buffer amplifier and is amplified by Q106. The higher harmonic wave is attenuated by LPF and returns to the PLL IC (IC101).

IC101 divides the VCO oscillating frequency signal and transmitter PLL reference signal (4.5MHz), and compares the phase with the 100kHz comparison frequency.

The phase difference signal produced by the comparing phase is converted to a DC voltage by a lag-lead type loop filter.

The DC signal is applied to varicaps D101, D102, D107, and D108 to lock the VCO oscillator frequency with the desired oscillator frequency.

At the same time, the DC signal passes through the IC102 operational amplifier for monitoring the transmitter main PLL lock voltage.

The output from the VCO passes through the buffer amplifier Q104. The divide-by-2 circuit (IC811) divides the frequency and produces the transmitter frequency. The output level of IC811 is about +6dBm (4mW).

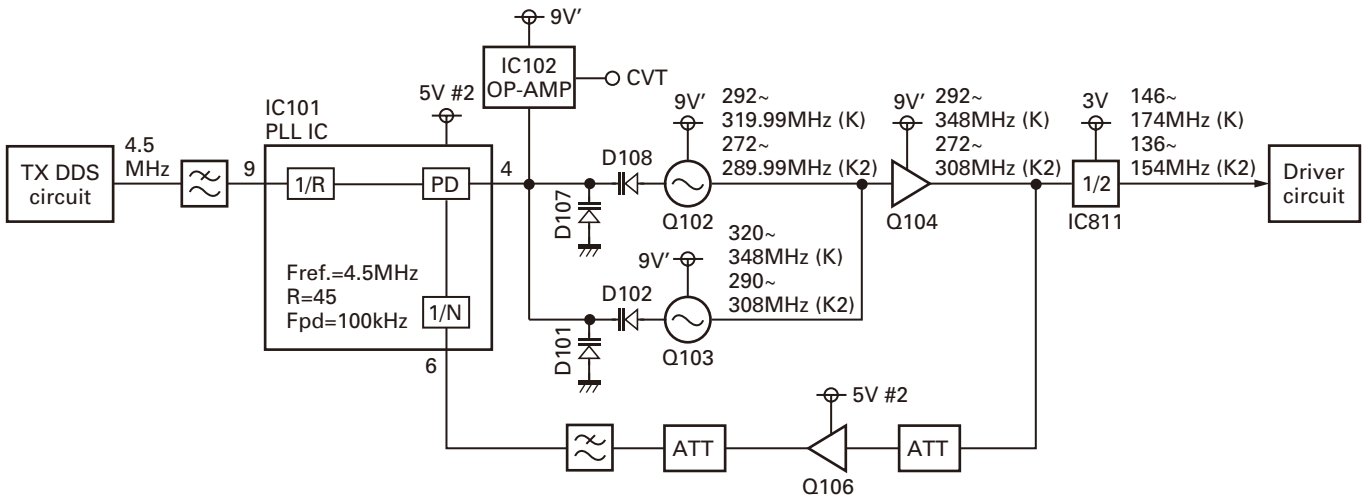


Fig. 1 Transmitter main PLL circuit

## CIRCUIT DESCRIPTION

### 2. Receiver PLL circuits

The receiver unit (X55-309) has the 1st-PLL circuit for controlling the VCO that generates the hetero signal to the first local oscillator, and the 2nd-PLL circuit for controlling the VCO that generates the hetero signal to the second local oscillator.

The 1st-PLL circuit consists of the VCO (Q7 and Q8), the Buffer amplifier (Q17), the RF amplifiers (Q16 and Q3), the PLL-IC (IC5), the Active loop filters (Q2 and Q4) and the Band switches (Q14, Q10, Q11 and Q59). The signal in the 195.95 (K), 185.95 (K2) through under 209.95MHz (K), 194.95MHz (K2) band generated by VCO Q7 and the 209.95 (K), 194.95 (K2) through 223.95MHz (K), 203.95MHz (K2) band generated by VCO Q8 is input to IC5 (pin5) via Q17 and Q16 as the Fin signal. The 6MHz reference signal generated by the DDS-IC (IC7) is input to IC5 (pin8) via Q3. Two signals, Fin and REFin, are phase-compared as the 100kHz comparison frequency by each frequency divider. The VCO output with the frequency synchronized is input to the 1st-

Mixer as the first local oscillator Upper hetero signal approximately +17dBm via Q17, Q23, and Q18. The control voltage is input to IC30 (ADC) pin16 via IC6.

Meanwhile, the 2nd-PLL circuit consists of the VCO (Q24), the Buffer amplifier (Q33), the RF amplifier (Q38, Q22), and the PLL-IC (IC11). The 99.0MHz signal generated by Q24 is input to IC11 (pin5) as the Fin signal via Q38. The 19.2MHz Internal reference clock distributed by the transmitter unit (X56-311) is input as the REFin signal to IC11 (pin8) via Q22. Two signals, Fin and REFin, are phase-compared by each frequency divider as the comparison frequency of 200kHz. The VCO output with the frequency synchronized is input to IC9 (prescaler IC) pin2 via Q33 and Q21. The 49.5MHz signal is frequency-divided into halves by IC9 and is excited by Q53 and distributed. One is input to IC12 (pin1) via Buffer amplifier\_Q35. The other is input to IC13 (pin4) via Buffer amplifier\_Q36. Both are input as approximately -16dBm for the second local oscillator Lower hetero signal. The control voltage at this point is input to IC30 (ADC) pin 10 via IC33.

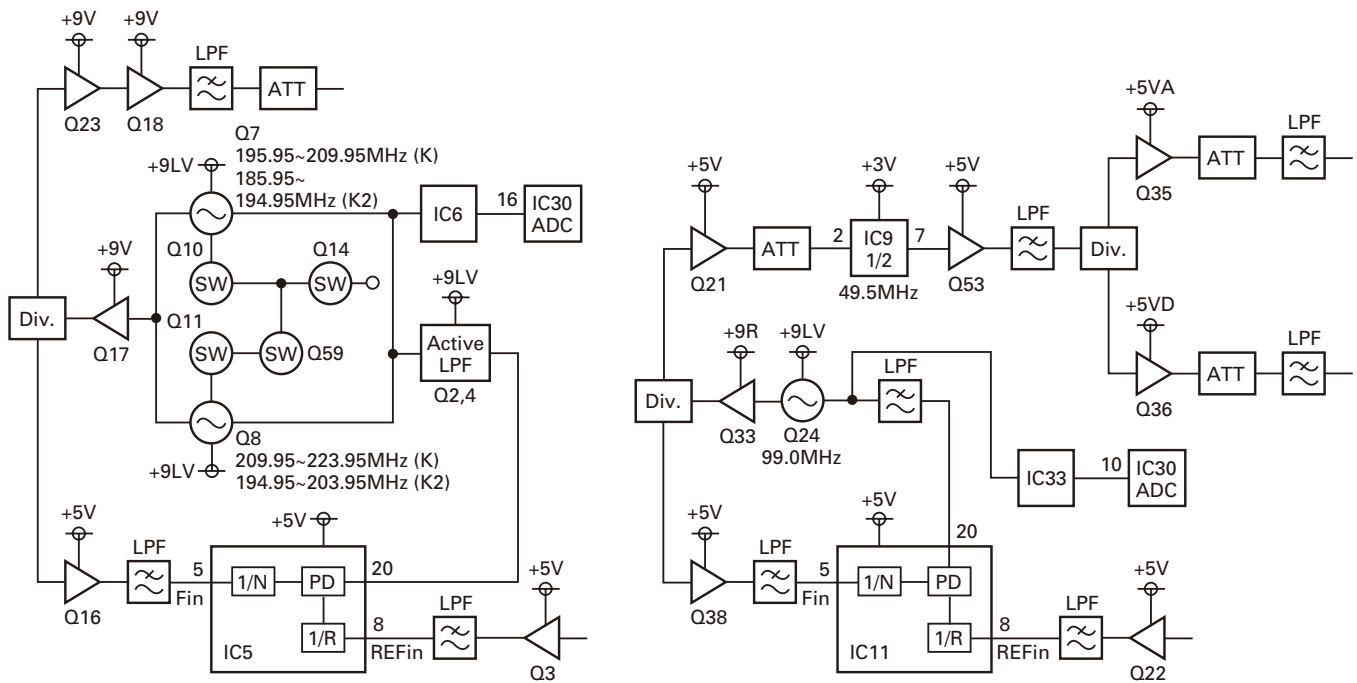


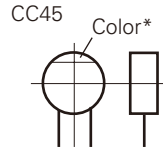
Fig. 2 Receiver PLL circuits

## PARTS LIST

### CAPACITORS

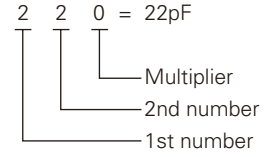
$\frac{C}{1} \frac{C}{2} \frac{45}{3} \frac{TH}{4} \frac{1H}{5} \frac{220}{6} \frac{J}{6}$

- 1 = Type ... ceramic, electrolytic, etc.
- 2 = Shape ... round, square, etc.
- 3 = Temp. coefficient
- 4 = Voltage rating
- 5 = Value
- 6 = Tolerance



#### • Capacitor value

- 010 = 1pF
- 100 = 10pF
- 101 = 100pF
- 102 = 1000pF = 0.001μF
- 103 = 0.01μF



#### • Temperature coefficient

1st Word	C	L	P	R	S	T	U
Color*	Black	Red	Orange	Yellow	Green	Blue	Violet
ppm/°C	0	-80	-150	-220	-330	-470	-750

2nd Word	G	H	J	K	L
ppm/°C	±30	±60	±120	±250	±500

Example : CC45TH = -470±60ppm/°C

#### • Tolerance (More than 10pF)

Code	C	D	G	J	K	M	X	Z	P	No code
(%)	±0.25	±0.5	±2	±5	±10	±20	+40 -20	+80 -20	+100 -0	More than 10μF : -10~+50 Less than 4.7μF : -10~+75

#### (Less than 10pF)

Code	B	C	D	F	G
(pF)	±0.1	±0.25	±0.5	±1	±2

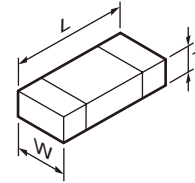
#### • Voltage rating

2nd word \ 1st word	A	B	C	D	E	F	G	H	J	K	V
0	1.0	1.25	1.6	2.0	2.5	3.15	4.0	5.0	6.3	8.0	-
1	10	12.5	16	20	25	31.5	40	50	63	80	35
2	100	125	160	200	250	315	400	500	630	800	-
3	1000	1250	1600	2000	2500	2150	4000	5000	6300	8000	-

#### • Chip capacitors

- (EX)  $\frac{C}{1} \frac{C}{2} \frac{73}{3} \frac{F}{4} \frac{SL}{5} \frac{1H}{6} \frac{000}{7} \frac{J}{7}$  → Refer to the table above.
- (Chip) (CH, RH, UJ, SL)
- 1 = Type
  - 2 = Shape
  - 3 = Dimension
  - 4 = Temp. coefficient
  - 5 = Voltage rating
  - 6 = Value
  - 7 = Tolerance
- (EX)  $\frac{C}{1} \frac{K}{2} \frac{73}{3} \frac{F}{4} \frac{F}{5} \frac{1H}{6} \frac{000}{7} \frac{Z}{7}$
- (Chip) (B, F)

#### • Dimension



#### Chip capacitor

Code	L	W	T
Empty	5.6±0.5	5.0±0.5	Less than 2.0
A	4.5±0.5	3.2±0.4	Less than 2.0
B	4.5±0.5	2.0±0.3	Less than 2.0
C	4.5±0.5	1.25±0.2	Less than 1.25
D	3.2±0.4	2.5±0.3	Less than 1.5
E	3.2±0.2	1.6±0.2	Less than 1.25
F	2.0±0.3	1.25±0.2	Less than 1.25
G	1.6±0.2	0.8±0.2	Less than 1.0
H	1.0±0.05	0.5±0.05	0.5±0.05

#### Chip resistor

Code	L	W	T
E	3.2±0.2	1.6±0.2	1.0
F	2.0±0.3	1.25±0.2	1.0
G	1.6±0.2	0.8±0.2	0.5±0.1
H	1.0±0.05	0.5±0.05	0.35±0.05

### RESISTORS

#### • Chip resistor (Carbon)

- (EX)  $\frac{R}{1} \frac{D}{2} \frac{73}{3} \frac{E}{4} \frac{B}{5} \frac{2B}{6} \frac{000}{7} \frac{J}{7}$
- (Chip) (B, F)

#### • Carbon resistor (Normal type)

- (EX)  $\frac{R}{1} \frac{D}{2} \frac{14}{3} \frac{B}{4} \frac{B}{5} \frac{2C}{6} \frac{000}{7} \frac{J}{7}$

- 1 = Type
- 2 = Shape
- 3 = Dimension
- 4 = Temp. coefficient
- 5 = Rating wattage
- 6 = Value
- 7 = Tolerance

#### • Rating wattage

Code	Wattage	Code	Wattage	Code	Wattage
1J	1/16W	2C	1/6W	3A	1W
2A	1/10W	2E	1/4W	3D	2W
2B	1/8W	2H	1/2W		



## PARTS LIST

\* New Parts. Δ indicates safety critical components.

Parts without **Parts No.** are not supplied.

Les articles non mentionnés dans le **Parts No.** ne sont pas fournis.

Teile ohne **Parts No.** werden nicht geliefert.

L : Scandinavia

Y : PX (Far East, Hawaii)

Y : AAFES (Europe)

K : USA

T : England

X : Australia

P : Canada

E : Europe

M : Other Areas

NXR-700 (Y54-3240-XX)  
FINAL UNIT (X45-3810-XX)

Ref. No.	Address	New parts	Parts No.	Description	Destination
<b>NXR-700</b>					
1	3A		A62-1142-02	MAIN PANEL	
3	1E		B10-2781-04	FRONT GLASS      ACCESSORY	
4	3A		B11-1841-04	FILTER (PF)	
5	3A		B11-1842-04	FILTER (17SEG)	
6	3A		B11-1843-04	FILTER (LED)	
7	3A		B11-1844-04	FILTER (STATUS)	
8	3A		B42-7296-04	STICKER (NEXEDGE)	
9	3A		B43-1188-04	BADGE	
10	1F	*	B62-1994-10	INSTRUCTION MANUAL	
12	2B		E04-0463-05	RF COAXIAL RECEPTACLE (BNC)	
13	1F		E30-3344-25	DC CORD      ACCESSORY	
14	1B		E30-7581-05	DC CORD	
15	2C		E30-7582-05	TRUNK CABLE	
16	1B,2C		E30-7583-05	TRUNK CABLE	
17	1B,1C		E37-1295-05	FLAT CABLE (36P)	
18	1B		E37-1299-05	LEAD WIRE WITH TERMINAL (FUSE-DC +)	
19	1B		E37-1300-05	LEAD WIRE WITH TERMINAL (FUSE-DC-)	
20	1B		E37-1301-05	LEAD WIRE WITH TERMINAL (DC-PA +)	
21	1B		E37-1302-05	LEAD WIRE WITH TERMINAL (DC-PA-)	
22	2C		E37-1303-05	LEAD WIRE WITH CONNECTOR (BNC-RX)	
23	1D		E37-1304-05	LEAD WIRE WITH CONNECTOR (BNC-REF)	
24	1B		E37-1305-05	LEAD WIRE WITH CONNECTOR (DC-TX)	
25	1C		E37-1306-05	LEAD WIRE WITH CONNECTOR (DC-CONT)	
26	2C		E37-1307-05	LEAD WIRE WITH CONNECTOR (DC-RX)	
27	2D		E37-1308-05	LEAD WIRE WITH CONNECTOR (RX-DCDC)	
28	1D		E37-1310-05	LEAD WIRE WITH CONNECTOR (DSUB-25P)	
29	3B		E37-1311-05	LEAD WIRE WITH CONNECTOR (DSUB-9P)	
30	2D		E37-1313-05	LEAD WIRE WITH CONNECTOR (ACC15)	
31	3B		E37-1314-05	LEAD WIRE WITH CONNECTOR (DISP-MIC)	
32	3B		E37-1315-05	LEAD WIRE WITH CONNECTOR (DISP-17SEG)	
33	2B		E37-1316-05	LEAD WIRE WITH CONNECTOR (SP)	
34	1E		E37-1381-05	15P PLUG      ACCESSORY	
35	1D,1E		F05-7521-05	BLADE FUSE (7.5A/32V)      ACCESSORY	
37	2A		F07-1930-05	COVER (FAN)	
38	1D		F09-0445-05	CAP (25P)	
39	3B		F09-0484-05	CAP (9P)	
40	2A		F09-0488-05	FANMOTOR	
42	3A		G10-1343-04	FIBROUS SHEET (FRONT PANEL)	
43	2B		G11-4408-04	RUBBER SHEET (CONT-TR)	
44	3A		G13-2163-04	CUSHION (PF)	
46	3B		J19-5496-02	HOLDER (DISP)	
47	1C		J19-5497-05	HOLDER (COMPACT FLASH)	
48	1E		J29-0725-04	BRACKET (SIDE)	
49	3A		J39-0655-03	SPACER (SP)	
50	2D		J61-0307-05	BAND (DC)	
52	1E		K01-0421-05	HANDLE      ACCESSORY	
53	3A		K29-4539-04	KNOB (VOLUME)	
55	1F		L79-1419-05	LINE FILTER (DC)	
A	1E		N08-0563-04	DRESSED SCREW (FRONT GLASS)	
B	3B,1D		N09-2292-05	HEXAGON HEAD SCREW (DSUB)	
C	1C		N30-2008-43	PAN HEAD MACHINE SCREW (CF)	

Ref. No.	Address	New parts	Parts No.	Description	Destination
D	2C,1D		N30-2606-48	PAN HEAD MACHINE SCREW (BNC)	
E	2A		N30-3016-43	PAN HEAD MACHINE SCREW (FAN)	
F	2D,3D		N32-3006-43	FLAT HEAD MACHINE SCREW (TOP,REAR)	
G	3A,1E		N32-4008-43	FLAT HEAD MACHINE SCREW (PANEL)	
H	1B,1C		N67-3008-48	PAN HEAD SEMS SCREW (AVR)	
J	3B		N80-2006-43	PAN HEAD TAPTITE SCREW (DISP)	
K	1D		N80-2608-43	PAN HEAD TAPTITE SCREW (FUSE)	
L	1B,2C		N87-2608-48	BRAZIER HEAD TAPTITE SCREW (PCB)	
57	3A		T07-0347-15	SPEAKER	
<b>FINAL UNIT (X45-3810-XX)    -10 : K    -11 : K2</b>					
C1,2			CD04BD1H101M	ELECTRO    100UF    50WV	
C7,8			CE32BM1V220M	CHIP EL    22UF    35WV	
C10,11			CK73GB1H102K	CHIP C    1000PF    K	
C15-17			CK73GB1H103K	CHIP C    0.010UF    K	
C21			CK73GB1H102K	CHIP C    1000PF    K	
C25,26			CK73GB1H103K	CHIP C    0.010UF    K	
C29,30			CK73GB1H102K	CHIP C    1000PF    K	
C32			CE32BM1V220M	CHIP EL    22UF    35WV	
C33			CE32AU1E100M	CHIP EL    10UF    25WV	
C36			CK73GB1H102K	CHIP C    1000PF    K	
C37			CK73GB1H103K	CHIP C    0.010UF    K	
C38			CE32AU1E100M	CHIP EL    10UF    25WV	
C39			CK73GB1H102K	CHIP C    1000PF    K	
C40			CK73GB1H103K	CHIP C    0.010UF    K	
C41,42			CK73GB1H102K	CHIP C    1000PF    K	
C44			CE32CL1V100M	CHIP EL    10UF    35WV	
C45,46			CK73GB1H102K	CHIP C    1000PF    K	
C47			CK73GB1H103K	CHIP C    0.010UF    K	
C49			CK73GB1H104K	CHIP C    0.10UF    K	K
C49			CK73GB1H473K	CHIP C    0.047UF    K	K2
C50-52			CK73GB1H102K	CHIP C    1000PF    K	
C53			CK73GB1H103K	CHIP C    0.010UF    K	
C54			CK73GB1H102K	CHIP C    1000PF    K	
C58			CK73GB1H102K	CHIP C    1000PF    K	
C59			CK73GB1H103K	CHIP C    0.010UF    K	
C60			C93-0603-05	CHIP C    1000PF    K	
C61			CK73GB1H102K	CHIP C    1000PF    K	
C62			CK73GB1H103K	CHIP C    0.010UF    K	
C63-65			CK73GB1H102K	CHIP C    1000PF    K	
C67			CK73GB1H102K	CHIP C    1000PF    K	
C68			CE32CL1V100M	CHIP EL    10UF    35WV	
C70			CK73GB1H103K	CHIP C    0.010UF    K	
C71-75			CK73GB1H102K	CHIP C    1000PF    K	
C77,78			CK73GB1H102K	CHIP C    1000PF    K	K
C78			CK73GB1H102K	CHIP C    1000PF    K	K2
C80			CK73GB1H103K	CHIP C    0.010UF    K	
C82			CK73GB1H104K	CHIP C    0.10UF    K	
C83			CK73GB1H102K	CHIP C    1000PF    K	
C85			CC73GCH1H330J	CHIP C    33PF    J	
C86			CK73GB1H103K	CHIP C    0.010UF    K	
C87			CC73GCH1H470J	CHIP C    47PF    J	K
C87			CC73GCH1H560J	CHIP C    56PF    J	K2
C88-90			CK73GB1H102K	CHIP C    1000PF    K	

## PARTS LIST

### FINAL UNIT (X45-3810-XX)

Ref. No.	Address	New parts	Parts No.	Description	Destination	Ref. No.	Address	New parts	Parts No.	Description	Destination
C94,95			CK73GB1H104K	CHIP C 0.10UF K	K	C717,718			CK73GB1H102K	CHIP C 1000PF K	
C95-99			CK73GB1H102K	CHIP C 1000PF K	K2	C900			CK73GB1H104K	CHIP C 0.10UF K	
C96-102			CK73GB1H102K	CHIP C 1000PF K	K	C901			CK73GB1H102K	CHIP C 1000PF K	
C100			CK73GB1H104K	CHIP C 0.10UF K	K2	C902			CC73GCH1H101J	CHIP C 100PF J	
C101,102			CK73GB1H102K	CHIP C 1000PF K	K2	C904			CC73GCH1H101J	CHIP C 100PF J	
C104			CK73GB1H102K	CHIP C 1000PF K		C905			CK73FB0J106K	CHIP C 10UF K	
C105			C93-0603-05	CHIP C 1000PF K		C906-908			CK73GB1H102K	CHIP C 1000PF K	
C106			CK73GB1H102K	CHIP C 1000PF K		C909,910			CC73GCH1H101J	CHIP C 100PF J	
C108,109			CK73GB1H102K	CHIP C 1000PF K		C912,913			CC73GCH1H101J	CHIP C 100PF J	
C112			CK73GB1H102K	CHIP C 1000PF K		C914			CK73GB1H104K	CHIP C 0.10UF K	
C113,114			CK73GB1H472K	CHIP C 4700PF K		C915			CC73GCH1H101J	CHIP C 100PF J	
C115			CK73GB1H102K	CHIP C 1000PF K		C916			CK73GB1H102K	CHIP C 1000PF K	
C116			C93-0557-05	CHIP C 7.0PF D	K2	CN1			E04-0193-05	PIN SOCKET	
C117			CK73GB1H103K	CHIP C 0.010UF K		CN2			E23-0902-05	TERMINAL	
C119			CC73GCH1H020C	CHIP C 2.0PF C	K2	CN8			E41-2671-05	PIN ASSY	
C122			C93-0572-05	CHIP C 100PF J	K2	CN11			E41-2673-05	PIN ASSY	
C122,123			C93-0569-05	CHIP C 56PF J	K	CN12			E41-2672-05	PIN ASSY	
C123			C93-0566-05	CHIP C 33PF J	K2	CN15			E41-2672-05	PIN ASSY	
C124			CK73GB1H102K	CHIP C 1000PF K		CN19			E04-0193-05	PIN SOCKET	
C126			C93-0563-05	CHIP C 18PF J	K	CN20			E40-6656-05	PIN ASSY	
C126			C93-0564-05	CHIP C 22PF J	K2	CN701			E41-2741-05	PIN ASSY	
C127,128			CK73GB1H102K	CHIP C 1000PF K		CN905			E41-1483-05	PIN ASSY	
C130			C93-0553-05	CHIP C 3.0PF C	K2	J901			E58-0526-05	MODULAR JACK	
C131			C93-0566-05	CHIP C 33PF J	K	CN4			J13-0071-05	FUSE HOLDER	
C131			C93-0567-05	CHIP C 39PF J	K2	L1			L92-0179-05	CHIP FERRITE	
C133,134			CK73GB1H102K	CHIP C 1000PF K		L3			L79-0558-05	FILTER	
C138			CE32CL1V100M	CHIP EL 10UF 35WV		L4			L92-0131-05	CHIP FERRITE	
C141			C93-0603-05	CHIP C 1000PF K		L9			L34-4638-05	AIR-CORE COIL	
C147			C93-0566-05	CHIP C 33PF J	K	L10			L34-4614-05	AIR-CORE COIL	
C147			C93-0567-05	CHIP C 39PF J	K2	L12			L34-4522-05	AIR-CORE COIL	K
C148			C93-0553-05	CHIP C 3.0PF C	K2	L12-15			L34-4522-05	AIR-CORE COIL	K2
C149			C93-0561-05	CHIP C 12PF J		L13-15			L34-4521-05	AIR-CORE COIL	K
C150			CK73GB1H104K	CHIP C 0.10UF K		L17			L34-4523-05	AIR-CORE COIL	
C158			C93-0564-05	CHIP C 22PF J	K	L18			L41-5668-14	SMALL FIXED INDUCTOR (5.6NH)	K
C158			C93-0565-05	CHIP C 27PF J	K2	L701,702			L41-4705-33	SMALL FIXED INDUCTOR (47UH)	
C159			C93-0553-05	CHIP C 3.0PF C		L703,704			L41-1095-33	SMALL FIXED INDUCTOR (1.0UH)	
C161			CC73GCH1H120J	CHIP C 12PF J	K	L900			L92-0447-05	BEADS CORE	
C161			CC73GCH1H150J	CHIP C 15PF J	K2	CP1			RK75GB1J103J	CHIP-COM 10K J 1/16W	
C162			CK73GB1H104K	CHIP C 0.10UF K		R1			RK73FB2B271J	CHIP R 270 J 1/8W	
C167			CK73GB1H104K	CHIP C 0.10UF K		R2			RK73FB2B180J	CHIP R 18 J 1/8W	
C169,170			CK73GB1H102K	CHIP C 1000PF K		R3			RK73FB2B271J	CHIP R 270 J 1/8W	
C187,188			C92-0905-05	OS-CON 47UF 35WV		R4			R92-3604-05	CHIP R 0.047 D 1.0W	
C189			CK73GB1H103K	CHIP C 0.010UF K		R9			RK73GB2A101J	CHIP R 100 J 1/10W	
C190			CK73GB1H102K	CHIP C 1000PF K		R11			RS14DB3A4R7J	FL-PROOF RS 4.7 J 1W	
C191			CK73GB1E105K	CHIP C 1.0UF K		R12,13			RK73GB2A103J	CHIP R 10K J 1/10W	K
C192			CC73FCH1H820J	CHIP C 82PF J		R12,13			RK73GB2A563J	CHIP R 56K J 1/10W	K2
C193			CC73FCH1H680J	CHIP C 68PF J	K2	R15			RK73GB2A332J	CHIP R 3.3K J 1/10W	
C701			CK73GB1E105K	CHIP C 1.0UF K		R17			RK73GB2A103J	CHIP R 10K J 1/10W	
C702,703			CK73GB1H102K	CHIP C 1000PF K		R18			RK73GB2A473J	CHIP R 47K J 1/10W	
C704			CE32AU1E100M	CHIP EL 10UF 25WV		R20			RK73GB2A104J	CHIP R 100K J 1/10W	
C705			CK73GB1E105K	CHIP C 1.0UF K		R21,22			RK73GB2A184J	CHIP R 180K J 1/10W	K
C706,707			CK73GB1H102K	CHIP C 1000PF K		R21,22			RK73GB2A564J	CHIP R 560K J 1/10W	K2
C708			CE32CL1V100M	CHIP EL 10UF 35WV		R23			RK73FB2B000J	CHIP R 0.0 J 1/8W	
C709			CE32AU1C330M	CHIP EL 33UF 16WV		R25			RK73GB2A104J	CHIP R 100K J 1/10W	
C710			CK73GB1H104K	CHIP C 0.10UF K		R26			RK73EB2E470J	CHIP R 47 J 1/4W	K2
C711			CS77CB21C100M	CHIP TNTL 10UF 16WV		R26			RK73EB2E820J	CHIP R 82 J 1/4W	K
C712			CE32AU1C330M	CHIP EL 33UF 16WV		R27			RK73GB2A224J	CHIP R 220K J 1/10W	
C713,714			CK73GB1H104K	CHIP C 0.10UF K							
C715			CE32AU1C330M	CHIP EL 33UF 16WV							
C716			CK73GB1H104K	CHIP C 0.10UF K							

## PARTS LIST

FINAL UNIT (X45-3810-XX)  
CONTROL UNIT (X53-4130-11)

Ref. No.	Address	New parts	Parts No.	Description	Desti-nation	Ref. No.	Address	New parts	Parts No.	Description	Desti-nation
R28			RK73GB2A474J	CHIP R 470K J 1/10W		R905,906			RK73GB2A000J	CHIP R 0.0 J 1/10W	
R29,30			RK73GB2A103J	CHIP R 10K J 1/10W		R907			RK73GH2A153D	CHIP R 15K D 1/10W	
R31-33			RK73GB2A104J	CHIP R 100K J 1/10W	K	R909			RK73GB2A000J	CHIP R 0.0 J 1/10W	
R31,32			RK73GB2A104J	CHIP R 100K J 1/10W	K2	R910			RK73GB2A182J	CHIP R 1.8K J 1/10W	
R33			RK73GB2A394J	CHIP R 390K J 1/10W	K2	R911,912			RK73GB2A000J	CHIP R 0.0 J 1/10W	
R34			RK73FB2B8R2J	CHIP R 8.2 J 1/8W		R914			RK73GB2A222J	CHIP R 2.2K J 1/10W	
R35,36			RK73GB2A683J	CHIP R 68K J 1/10W	K2	VR1			R32-0744-05	SEMI FIXED VARIABLE RESISTOR (220)	
R35,36			RK73GB2A823J	CHIP R 82K J 1/10W	K	VR2			R32-0754-05	SEMI FIXED VARIABLE RESISTOR (10K)	
R37			RK73GB2A104J	CHIP R 100K J 1/10W	K	VR902			R31-0668-05	VARIABLE RESISTOR (10K)	
R37			RK73GB2A394J	CHIP R 390K J 1/10W	K2	D4			Z5W27V	SURGE ABSORBER	
R38			RK73FB2B151J	CHIP R 150 J 1/8W		D5			DSM3MA1-RPB	DIODE	
R39,40			RK73GB2A274J	CHIP R 270K J 1/10W	K	D6			1S355	DIODE	
R39,40			RK73GB2A564J	CHIP R 560K J 1/10W	K2	D7			02C25.6(Y)F	ZENER DIODE	
R41			RK73GB2A000J	CHIP R 0.0 J 1/10W		D9,10			HSB88WS	DIODE	
R42			RK73FB2B8R2J	CHIP R 8.2 J 1/8W		D11			L7091CER	DIODE	
R44			RK73FB2B8R2J	CHIP R 8.2 J 1/8W		D14-16			L7091CER	DIODE	
R45,46			RK73GB2A000J	CHIP R 0.0 J 1/10W		D19			02C24.7(Y)F	ZENER DIODE	
R47			RK73FB2B151J	CHIP R 150 J 1/8W		D902			AVRM16270MABB	VARIATOR	
R49			RK73GB2A000J	CHIP R 0.0 J 1/10W		IC1			LTC6101BIS5-F	ANALOGUE IC	
R50,51			RK73GB2A104J	CHIP R 100K J 1/10W		IC2			NJM2904E-ZB	ANALOGUE IC	
R52			RK73FB2B8R2J	CHIP R 8.2 J 1/8W		IC3			TA78L05FF	MOS-IC	
R53,54			RK73GB2A154J	CHIP R 150K J 1/10W		IC4-6			NJM2904E-ZB	ANALOGUE IC	
R55-58			RK73GB2A104J	CHIP R 100K J 1/10W		IC7			S-8130AC	MOS-IC	
R59,60			RK73GB2A103J	CHIP R 10K J 1/10W		IC8			NJM2904E-ZB	ANALOGUE IC	
R61			RK73EB2E680J	CHIP R 68 J 1/4W		IC9			S24CS02AFJTBG	ROM IC	
R62			RK73GH2A563D	CHIP R 56K D 1/10W		IC10	1A		RA13H1317M131	MOS-IC	
R63			RK73GH2A333D	CHIP R 33K D 1/10W		IC11	1B		NJM7808FA-ZB	BI-POLAR IC	
R64			RK73GB2A474J	CHIP R 470K J 1/10W		IC12	1B		NJM7805FA-ZB	BI-POLAR IC	
R65			RK73GB2A473J	CHIP R 47K J 1/10W		IC15			NJM2904E-ZB	ANALOGUE IC	
R66			RK73GB2A100J	CHIP R 10 J 1/10W		IC701			NJM78L05UA-ZB	BI-POLAR IC	
R67			RS14DB3A121J	FL-PROOF RS 120 J 1W		IC702			LTC1046IS8	MOS-IC	
R68			RK73GB2A104J	CHIP R 100K J 1/10W		IC703			TK72130CS	BI-POLAR IC	
R69			RK73GB2A103J	CHIP R 10K J 1/10W		Q2			SSM3K15TE(F)	FET	
R70-72			RK73GB2A000J	CHIP R 0.0 J 1/10W		Q3			SSM3J01F	FET	
R75,76			RK73GB2A472J	CHIP R 4.7K J 1/10W		Q4			2SJ506-E(S)	FET	
R78			RK73GB2A104J	CHIP R 100K J 1/10W		Q5,6			SSM3K15TE(F)	FET	
R89			RK73GB2A000J	CHIP R 0.0 J 1/10W		Q8			SSM3K15TE(F)	FET	
R92			RK73GB2A104J	CHIP R 100K J 1/10W		Q14			SSM3K15TE(F)	FET	
R102			RK73GH2A471D	CHIP R 470 D 1/10W		<b>CONTROL UNIT (X53-4130-11 for service)</b>					
R104			RK73GB2A393J	CHIP R 39K J 1/10W		C1-5			CK73GB1H102K	CHIP C 1000PF	K
R105			RK73GB2A000J	CHIP R 0.0 J 1/10W		C6			CC73GCH1H101J	CHIP C 100PF	J
R106			RK73GB2A474J	CHIP R 470K J 1/10W		C7			CK73GB1H102K	CHIP C 1000PF	K
R107			RK73GB2A000J	CHIP R 0.0 J 1/10W		C8			CC73GCH1H101J	CHIP C 100PF	J
R110			RK73GB2A394J	CHIP R 390K J 1/10W		C9			CK73GB1H102K	CHIP C 1000PF	K
R121			RK73GH2A103D	CHIP R 10K D 1/10W		C10			CC73GCH1H101J	CHIP C 100PF	J
R123			RK73GB2A103J	CHIP R 10K J 1/10W		C12-16			CK73GB1H102K	CHIP C 1000PF	K
R124			RK73FB2B100J	CHIP R 10 J 1/8W	K	C18-28			CK73GB1H102K	CHIP C 1000PF	K
R124			RK73FB2B180J	CHIP R 18 J 1/8W	K2	C29			CC73GCH1H101J	CHIP C 100PF	J
R125			R92-1061-05	JUMPER REST 0 OHM		C30-33			CK73GB1H102K	CHIP C 1000PF	K
R133			RK73GB2A102J	CHIP R 1.0K J 1/10W		C34			CC73GCH1H101J	CHIP C 100PF	J
R136			RK73GB2A394J	CHIP R 390K J 1/10W		C35			CK73GB1H102K	CHIP C 1000PF	K
R137-140			RK73GB2A104J	CHIP R 100K J 1/10W		C36			CC73GCH1H101J	CHIP C 100PF	J
R142			RK73GB2A000J	CHIP R 0.0 J 1/10W		C37			CK73GB1H104K	CHIP C 0.10UF	K
R144			RK73GB2A000J	CHIP R 0.0 J 1/10W	K	C39-47			CK73GB1H102K	CHIP C 1000PF	K
R145			RK73GB2A000J	CHIP R 0.0 J 1/10W	K2	C49			CC73GCH1H101J	CHIP C 100PF	J
R150-153			RK73GB2A474J	CHIP R 470K J 1/10W	K2	C50-53			CK73GB1H102K	CHIP C 1000PF	K
R900			RK73GB2A000J	CHIP R 0.0 J 1/10W		C54			CC73GCH1H101J	CHIP C 100PF	J
R901			RK73GB2A182J	CHIP R 1.8K J 1/10W		C55			CK73GB1H102K	CHIP C 1000PF	K
R902			RK73GB2A000J	CHIP R 0.0 J 1/10W							
R903			RK73GB2A681J	CHIP R 680 J 1/10W							

If a part reference number is listed in a shaded box, that part does not come with the PCB.

## PARTS LIST

### CONTROL UNIT (X53-4130-11)

Ref. No.	Address	New parts	Parts No.	Description	Destination	Ref. No.	Address	New parts	Parts No.	Description	Destination
C56			CC73GCH1H101J	CHIP C 100PF J		C159			CK73GB1H102K	CHIP C 1000PF K	
C57			CK73GB1H102K	CHIP C 1000PF K		C161			CK73GB1H102K	CHIP C 1000PF K	
C58			CC73GCH1H101J	CHIP C 100PF J		C162			CE32AU1C330M	CHIP EL 33UF 16WV	
C60-62			CK73GB1H102K	CHIP C 1000PF K		C165			CK73GB1H102K	CHIP C 1000PF K	
C63			CK73GB1H104K	CHIP C 0.10UF K		C166			CE32AU1C330M	CHIP EL 33UF 16WV	
C64			CK73GB1H102K	CHIP C 1000PF K		C169			CK73FB0J106K	CHIP C 10UF K	
C65			CK73FB0J106K	CHIP C 10UF K		C170			CK73GB1H102K	CHIP C 1000PF K	
C66			CK73GB1H102K	CHIP C 1000PF K		C172			CK73FB0J106K	CHIP C 10UF K	
C67			CK73FB0J106K	CHIP C 10UF K		C173			CC73GCH1H101J	CHIP C 100PF J	
C68			CK73GB1H102K	CHIP C 1000PF K		C174			CK73GB1H102K	CHIP C 1000PF K	
C69			CK73GB1H104K	CHIP C 0.10UF K		C175			CC73GCH1H391J	CHIP C 390PF J	
C70			CK73GB1H102K	CHIP C 1000PF K		C177			CC73GCH1H101J	CHIP C 100PF J	
C71			CK73FB0J106K	CHIP C 10UF K		C178			CK73FB0J106K	CHIP C 10UF K	
C72			CK73GB1E105K	CHIP C 1.0UF K		C188,189			CK73GB1H104K	CHIP C 0.10UF K	
C73			CC73GCH1H101J	CHIP C 100PF J		C190			CK73GB1E105K	CHIP C 1.0UF K	
C74			CK73GB1H104K	CHIP C 0.10UF K		C192,193			CK73GB1E105K	CHIP C 1.0UF K	
C75			CC73GCH1H101J	CHIP C 100PF J		C194			CC73GCH1H560J	CHIP C 56PF J	
C76			CK73GB1H102K	CHIP C 1000PF K		C195			CC73GCH1H181J	CHIP C 180PF J	
C77			C93-0912-05	CHIP C 100UF M		C196			CC73GCH1H101J	CHIP C 100PF J	
C78			CK73FB0J106K	CHIP C 10UF K		C197			CC73GCH1H330J	CHIP C 33PF J	
C79-82			CK73GB1H104K	CHIP C 0.10UF K		C199			C93-0912-05	CHIP C 100UF M	
C83-86			CK73FB0J106K	CHIP C 10UF K		C200			CK73FB0J106K	CHIP C 10UF K	
C87			C93-0912-05	CHIP C 100UF M		C202			CK73GB1E105K	CHIP C 1.0UF K	
C88			CK73GB1H103K	CHIP C 0.010UF K		C203			CC73GCH1H101J	CHIP C 100PF J	
C89,90			CC73GCH1H221J	CHIP C 220PF J		C204			CC73GCH1H121J	CHIP C 120PF J	
C92			CC73GCH1H100D	CHIP C 10PF D		C205			CK73GB1H182K	CHIP C 1800PF K	
C95			C93-0912-05	CHIP C 100UF M		C206			C93-0912-05	CHIP C 100UF M	
C96			CC73GCH1H101J	CHIP C 100PF J		C207			CK73GB1H102K	CHIP C 1000PF K	
C97			CK73GB1H104K	CHIP C 0.10UF K		C208			CK73FB0J106K	CHIP C 10UF K	
C98			CK73FB0J106K	CHIP C 10UF K		C209			CK73GB1H103K	CHIP C 0.010UF K	
C99			CK73GB1H102K	CHIP C 1000PF K		C212			CC73GCH1H120J	CHIP C 12PF J	
C102			CC73GCH1H150J	CHIP C 15PF J		C213			CK73GB1H103K	CHIP C 0.010UF K	
C103			CC73GCH1H101J	CHIP C 100PF J		C215			CK73GB1H104K	CHIP C 0.10UF K	
C104-106			CD04BD1H221M	ELECTRO 220UF 50WV		C216			CC73GCH1H100D	CHIP C 10PF D	
C107			CK73GB1H102K	CHIP C 1000PF K		C219			CC73GCH1H100D	CHIP C 10PF D	
C108			CK73GB1H104K	CHIP C 0.10UF K		C222			CC73GCH1H150J	CHIP C 15PF J	
C109			CK73GB1H102K	CHIP C 1000PF K		C223			CK73GB1H103K	CHIP C 0.010UF K	
C110			C93-0912-05	CHIP C 100UF M		C224			CK73GB1E105K	CHIP C 1.0UF K	
C111			CK73GB1H104K	CHIP C 0.10UF K		C225			CK73GB1H104K	CHIP C 0.10UF K	
C119			CC73GCH1H181J	CHIP C 180PF J		C226			CK73FB0J106K	CHIP C 10UF K	
C120			CK73GB1H102K	CHIP C 1000PF K		C227			CK73GB1H102K	CHIP C 1000PF K	
C121			CK73FB0J106K	CHIP C 10UF K		C229			CC73GCH1H101J	CHIP C 100PF J	
C122			CC73GCH1H101J	CHIP C 100PF J		C230			CK73GB1E105K	CHIP C 1.0UF K	
C123			CK73GB1H472K	CHIP C 4700PF K		C234,235			CK73GB1H104K	CHIP C 0.10UF K	
C125			CK73GB1H472K	CHIP C 4700PF K		C236			C90-4120-05	ELECTRO 470UF 35WV	
C127			CK73GB1H182K	CHIP C 1800PF K		C237			CK73GB1H104K	CHIP C 0.10UF K	
C128			CC73GCH1H101J	CHIP C 100PF J		C239			C92-0777-05	ELECTRO 1000UF 25WV	
C130			CD04BD1H221M	ELECTRO 220UF 50WV		C244			CK73GB1H104K	CHIP C 0.10UF K	
C131			CE32AU1C330M	CHIP EL 33UF 16WV		C245			CK73FB0J106K	CHIP C 10UF K	
C133			CD04BD1H221M	ELECTRO 220UF 50WV		C246,247			CK73GB1H102K	CHIP C 1000PF K	
C134			CK73GB1H104K	CHIP C 0.10UF K		C248,249			CK73GB1H104K	CHIP C 0.10UF K	
C137,138			CK73GB1H102K	CHIP C 1000PF K		C250			CK73FB0J106K	CHIP C 10UF K	
C139,140			CE32AU1C330M	CHIP EL 33UF 16WV		C251			CK73GB1H102K	CHIP C 1000PF K	
C141			CK73GB1H102K	CHIP C 1000PF K		C252			CK73FB0J106K	CHIP C 10UF K	
C144			CE32AU1C330M	CHIP EL 33UF 16WV		C253-255			CK73GB1H103K	CHIP C 0.010UF K	
C145			CK73GB1H182K	CHIP C 1800PF K		C256			CK73GB1H104K	CHIP C 0.10UF K	
C146			CK73GB1H104K	CHIP C 0.10UF K		C257			CK73FB0J106K	CHIP C 10UF K	
C152			CK73GB1H102K	CHIP C 1000PF K		C258			CK73GB1H103K	CHIP C 0.010UF K	
C155			CC73GCH1H181J	CHIP C 180PF J		C262			CK73FB0J106K	CHIP C 10UF K	
C157			CE32AU1C330M	CHIP EL 33UF 16WV		C263			CK73GB1H102K	CHIP C 1000PF K	

## PARTS LIST

CONTROL UNIT (X53-4130-11)

Ref. No.	Address	New parts	Parts No.	Description	Destination	Ref. No.	Address	New parts	Parts No.	Description	Destination
C265			CK73GB1H104K	CHIP C 0.10UF K		C365			CK73GB1H103K	CHIP C 0.010UF K	
C266-270			CK73GB1H103K	CHIP C 0.010UF K		C366-368			CK73GB1H102K	CHIP C 1000PF K	
C271			CK73FB0J106K	CHIP C 10UF K		C369			CK73GB1H103K	CHIP C 0.010UF K	
C272,273			CK73GB1H103K	CHIP C 0.010UF K		C370-372			CK73GB1H102K	CHIP C 1000PF K	
C274			CK73GB1H472K	CHIP C 4700PF K		C373			CC73GCH1H101J	CHIP C 100PF J	
C275			CC73GCH1H120J	CHIP C 12PF J		C374			CK73GB1H103K	CHIP C 0.010UF K	
C276			CC73GCH1H100D	CHIP C 10PF D		C375,376			CK73GB1H102K	CHIP C 1000PF K	
C277			CK73GB1H103K	CHIP C 0.010UF K		C377			CC73GCH1H101J	CHIP C 100PF J	
C278			CK73FB0J106K	CHIP C 10UF K		C379,380			CK73GB1H102K	CHIP C 1000PF K	
C279			CK73GB1H103K	CHIP C 0.010UF K		C381			CC73GCH1H101J	CHIP C 100PF J	
C280			CC73GCH1H100D	CHIP C 10PF D		C382			CK73GB1H103K	CHIP C 0.010UF K	
C281			CC73GCH1H150J	CHIP C 15PF J		C383,384			CK73GB1H102K	CHIP C 1000PF K	
C282			CK73GB1H103K	CHIP C 0.010UF K		C385			CC73GCH1H101J	CHIP C 100PF J	
C283			CK73GB1H104K	CHIP C 0.10UF K		C386,387			CK73GB1H102K	CHIP C 1000PF K	
C284-288			CK73GB1H103K	CHIP C 0.010UF K		C388			CC73GCH1H101J	CHIP C 100PF J	
C289			CK73GB1H102K	CHIP C 1000PF K		C389,390			CK73GB1H102K	CHIP C 1000PF K	
C290-297			CK73GB1H103K	CHIP C 0.010UF K		C394			C92-0905-05	OS-CON 47UF 35WV	
C299,300			CK73GB1H103K	CHIP C 0.010UF K		C395			CK73GB1H103K	CHIP C 0.010UF K	
C302			CK73GB1H103K	CHIP C 0.010UF K		C396-399			CK73GB1H102K	CHIP C 1000PF K	
C304			CC73GCH1H101J	CHIP C 100PF J		C400,401			CE32AU1C330M	CHIP EL 33UF 16WV	
C305,306			CK73GB1H102K	CHIP C 1000PF K		C403			CK73GB1E105K	CHIP C 1.0UF K	
C307-310			CC73GCH1H101J	CHIP C 100PF J		C404			CK73FB0J106K	CHIP C 10UF K	
C311,312			CK73GB1H102K	CHIP C 1000PF K		C405,406			CC73GCH1H101J	CHIP C 100PF J	
C313			CC73GCH1H101J	CHIP C 100PF J		C407			CK73GB1H102K	CHIP C 1000PF K	
C314			CK73GB1H102K	CHIP C 1000PF K		C408-410			CK73GB1E105K	CHIP C 1.0UF K	
C315			CC73GCH1H101J	CHIP C 100PF J		C413			CK73GB1H104K	CHIP C 0.10UF K	
C316			CK73GB1H102K	CHIP C 1000PF K		C414			CK73GB1H103K	CHIP C 0.010UF K	
C317			CK73GB1H103K	CHIP C 0.010UF K		C415			CK73GB1H104K	CHIP C 0.10UF K	
C318			CC73GCH1H101J	CHIP C 100PF J		C416			CK73GB1H103K	CHIP C 0.010UF K	
C319			CK73GB1H102K	CHIP C 1000PF K		C417			CK73GB1E105K	CHIP C 1.0UF K	
C320			CK73GB1H103K	CHIP C 0.010UF K		C418-420			CK73GB1H102K	CHIP C 1000PF K	
C321			CC73GCH1H101J	CHIP C 100PF J		C421			CC73GCH1H101J	CHIP C 100PF J	
C322,323			CK73GB1H102K	CHIP C 1000PF K		C422-424			CK73GB1H102K	CHIP C 1000PF K	
C324			CK73GB1H103K	CHIP C 0.010UF K		C425,426			CC73GCH1H101J	CHIP C 100PF J	
C325			CC73GCH1H101J	CHIP C 100PF J		C427-435			CK73GB1H102K	CHIP C 1000PF K	
C326,327			CK73GB1H102K	CHIP C 1000PF K		C436			CK73GB1E105K	CHIP C 1.0UF K	
C328			CK73GB1H103K	CHIP C 0.010UF K		C437,438			CC73GCH1H101J	CHIP C 100PF J	
C329-331			CK73GB1H102K	CHIP C 1000PF K		C440			CK73GB1H102K	CHIP C 1000PF K	
C332			CK73GB1H103K	CHIP C 0.010UF K		C442			CC73GCH1H101J	CHIP C 100PF J	
C333-339			CK73GB1H102K	CHIP C 1000PF K		C444			CK73GB1H102K	CHIP C 1000PF K	
C340			CK73GB1H103K	CHIP C 0.010UF K		C445			CK73GB1H104K	CHIP C 0.10UF K	
C342,343			CK73GB1H102K	CHIP C 1000PF K		C446			CC73GCH1H391J	CHIP C 390PF J	
C344			CK73GB1H103K	CHIP C 0.010UF K		C447			CC73GCH1H101J	CHIP C 100PF J	
C345			CK73GB1H104K	CHIP C 0.10UF K		C448,449			CK73GB1H102K	CHIP C 1000PF K	
C346,347			CK73GB1H102K	CHIP C 1000PF K		C450			CC73GCH1H101J	CHIP C 100PF J	
C348			CK73GB1H103K	CHIP C 0.010UF K		C452,453			CK73GB1H102K	CHIP C 1000PF K	
C350			CK73GB1H102K	CHIP C 1000PF K		C456,457			CK73GB1H102K	CHIP C 1000PF K	
C351			CK73GB1H103K	CHIP C 0.010UF K		C463			CK73GB1H104K	CHIP C 0.10UF K	
C352,353			CK73GB1H102K	CHIP C 1000PF K		C467,468			CK73GB1H102K	CHIP C 1000PF K	
C354			CK73GB1H103K	CHIP C 0.010UF K		C469,470			CC73GCH1H101J	CHIP C 100PF J	
C355			CC73GCH1H101J	CHIP C 100PF J		C471			CK73GB1H102K	CHIP C 1000PF K	
C356			CK73GB1H102K	CHIP C 1000PF K		C473-475			CK73GB1H102K	CHIP C 1000PF K	
C357			CK73GB1H103K	CHIP C 0.010UF K		C477			CK73GB1E105K	CHIP C 1.0UF K	
C358			CK73GB1H102K	CHIP C 1000PF K		C499			C92-0905-05	OS-CON 47UF 35WV	
C359			CC73GCH1H101J	CHIP C 100PF J		C500			CK73GB1H104K	CHIP C 0.10UF K	
C360			CK73GB1H102K	CHIP C 1000PF K		C510			CK73FB0J106K	CHIP C 10UF K	
C361			CK73GB1H103K	CHIP C 0.010UF K		CN1-3			E40-6656-05	PIN ASSY	
C362			CK73GB1H102K	CHIP C 1000PF K		CN4			E41-2673-05	PIN ASSY	
C363			CC73GCH1H101J	CHIP C 100PF J		CN56,57			E40-6656-05	PIN ASSY	
C364			CK73GB1H102K	CHIP C 1000PF K							

## PARTS LIST

### CONTROL UNIT (X53-4130-11)

Ref. No.	Address	New parts	Parts No.	Description	Destination	Ref. No.	Address	New parts	Parts No.	Description	Destination
CN58			E40-5960-05	PIN ASSY		R102			RK73GB2A123J	CHIP R 12K J 1/10W	
CN59			E40-6102-05	PIN ASSY		R103-105			RK73GB2A473J	CHIP R 47K J 1/10W	
CN60			E41-2735-05	PIN ASSY		R106-108			RK73GB2A000J	CHIP R 0.0 J 1/10W	
F1,2			F53-0315-05	FUSE (250MA)		R109			RK73GB2A153J	CHIP R 15K J 1/10W	
						R111			RK73GB2A823J	CHIP R 82K J 1/10W	
L3-14			L92-0447-05	BEADS CORE		R112			RK73GB2A123J	CHIP R 12K J 1/10W	
L15			L33-1476-05	SMALL FIXED INDUCTOR		R113			RK73GB2A823J	CHIP R 82K J 1/10W	
L16			L33-1475-05	SMALL FIXED INDUCTOR		R114			RK73GB2A223J	CHIP R 22K J 1/10W	
L17,18			L92-0447-05	BEADS CORE		R115			RK73GB2A154J	CHIP R 150K J 1/10W	
L19			L33-1475-05	SMALL FIXED INDUCTOR		R116			RK73GB2A223J	CHIP R 22K J 1/10W	
L20-22			L92-0447-05	BEADS CORE		R127			RK73GB2A473J	CHIP R 47K J 1/10W	
L32-40			L92-0447-05	BEADS CORE		R128-130			RK73GB2A000J	CHIP R 0.0 J 1/10W	
L43			L92-0447-05	BEADS CORE		R131-133			RK73GB2A473J	CHIP R 47K J 1/10W	
L44-49			L92-0467-05	CHIP FERRITE		R135			RK73GB2A000J	CHIP R 0.0 J 1/10W	
X1			L77-1984-05	CRYSTAL RESONATOR (14.7456MHZ)		R137			RK73GB2A102J	CHIP R 1.0K J 1/10W	
X2			L77-1987-05	CRYSTAL RESONATOR (16.515072MHZ)		R138			RK73GB2A473J	CHIP R 47K J 1/10W	
CP8			RK75GB1JR00	CHIP-COM 0.00 1/16W		R141-144			RK73GB2A000J	CHIP R 0.0 J 1/10W	
CP10			RK75GB1JR00	CHIP-COM 0.00 1/16W		R145			RK73GB2A104J	CHIP R 100K J 1/10W	
CP13			RK75GB1JR00	CHIP-COM 0.00 1/16W		R146-148			RK73GB2A000J	CHIP R 0.0 J 1/10W	
CP19			RK75GB1JR00	CHIP-COM 0.00 1/16W		R149			RK73GB2A333J	CHIP R 33K J 1/10W	
CP24-26			RK75GB1JR00	CHIP-COM 0.00 1/16W		R150			RK73GB2A563J	CHIP R 56K J 1/10W	
R1,2			RK73GB2A000J	CHIP R 0.0 J 1/10W		R151			RK73GB2A124J	CHIP R 120K J 1/10W	
R4			RK73GB2A000J	CHIP R 0.0 J 1/10W		R152			RK73GB2A104J	CHIP R 100K J 1/10W	
R6			RK73GB2A101J	CHIP R 100 J 1/10W		R153			RK73GB2A000J	CHIP R 0.0 J 1/10W	
R7-17			RK73GB2A000J	CHIP R 0.0 J 1/10W		R154,155			RK73GB2A333J	CHIP R 33K J 1/10W	
R18,19			RK73GB2A101J	CHIP R 100 J 1/10W		R156,157			RK73GH2A104D	CHIP R 100K D 1/10W	
R21-45			RK73GB2A000J	CHIP R 0.0 J 1/10W		R158			RK73GB2A333J	CHIP R 33K J 1/10W	
R47-49			RK73GB2A000J	CHIP R 0.0 J 1/10W		R159			RK73GB2A000J	CHIP R 0.0 J 1/10W	
R51-61			RK73GB2A000J	CHIP R 0.0 J 1/10W		R160,161			RK73GB2A563J	CHIP R 56K J 1/10W	
R62			RK73GB2A101J	CHIP R 100 J 1/10W		R162			RK73GB2A224J	CHIP R 220K J 1/10W	
R63,64			RK73GB2A332J	CHIP R 3.3K J 1/10W		R163			RK73GB2A000J	CHIP R 0.0 J 1/10W	
R65			RK73GB2A183J	CHIP R 18K J 1/10W		R165			RK73GB2A104J	CHIP R 100K J 1/10W	
R66			RK73GB2A823J	CHIP R 82K J 1/10W		R166			RK73GB2A333J	CHIP R 33K J 1/10W	
R67			RK73GH2A822D	CHIP R 8.2K D 1/10W		R167			RK73GB2A473J	CHIP R 47K J 1/10W	
R68			RK73GH2A332D	CHIP R 3.3K D 1/10W		R168			RK73GB2A563J	CHIP R 56K J 1/10W	
R69,70			RK73GB2A000J	CHIP R 0.0 J 1/10W		R169			RK73GB2A333J	CHIP R 33K J 1/10W	
R71			RK73GH2A473D	CHIP R 47K D 1/10W		R171			RK73GB2A183J	CHIP R 18K J 1/10W	
R72-76			RK73GB2A000J	CHIP R 0.0 J 1/10W		R172,173			RK73GB2A473J	CHIP R 47K J 1/10W	
R77			RK73GH2A104D	CHIP R 100K D 1/10W		R174			RK73GB2A683J	CHIP R 68K J 1/10W	
R78			RK73GB2A104J	CHIP R 100K J 1/10W		R175			RK73GB2A393J	CHIP R 39K J 1/10W	
R79			RK73GH2A332D	CHIP R 3.3K D 1/10W		R176			RK73GB2A473J	CHIP R 47K J 1/10W	
R80			RK73GB2A123J	CHIP R 12K J 1/10W		R177,178			RK73GB2A000J	CHIP R 0.0 J 1/10W	
R81,82			RK73GB2A563J	CHIP R 56K J 1/10W		R179			RK73GB2A473J	CHIP R 47K J 1/10W	
R83			RK73GB2A124J	CHIP R 120K J 1/10W		R181,182			RK73GB2A103J	CHIP R 10K J 1/10W	
R84			RK73GB2A473J	CHIP R 47K J 1/10W		R183			RK73GB2A000J	CHIP R 0.0 J 1/10W	
R85			RK73GB2A000J	CHIP R 0.0 J 1/10W		R184			RK73GB2A473J	CHIP R 47K J 1/10W	
R86			RK73GB2A473J	CHIP R 47K J 1/10W		R188			RK73GB2A000J	CHIP R 0.0 J 1/10W	
R87			RK73GB2A223J	CHIP R 22K J 1/10W		R191			RK73GB2A000J	CHIP R 0.0 J 1/10W	
R88			RK73GB2A000J	CHIP R 0.0 J 1/10W		R193			RK73GB2A103J	CHIP R 10K J 1/10W	
R89			RK73GB2A103J	CHIP R 10K J 1/10W		R194			RK73GB2A473J	CHIP R 47K J 1/10W	
R90			RK73GB2A153J	CHIP R 15K J 1/10W		R195,196			RK73GB2A000J	CHIP R 0.0 J 1/10W	
R91			RK73GB2A472J	CHIP R 4.7K J 1/10W		R197			RK73GB2A103J	CHIP R 10K J 1/10W	
R92			RK73GB2A562J	CHIP R 5.6K J 1/10W		R198			RK73GB2A473J	CHIP R 47K J 1/10W	
R93,94			RK73GB2A000J	CHIP R 0.0 J 1/10W		R199			RK73GB2A103J	CHIP R 10K J 1/10W	
R95			RK73GB2A470J	CHIP R 47 J 1/10W		R200,201			RK73GB2A000J	CHIP R 0.0 J 1/10W	
R96			RK73GB2A223J	CHIP R 22K J 1/10W		R202			RK73GB2A473J	CHIP R 47K J 1/10W	
R98			RK73GB2A103J	CHIP R 10K J 1/10W		R203			RK73GB2A104J	CHIP R 100K J 1/10W	
R100			RK73GB2A473J	CHIP R 47K J 1/10W		R204			RK73GB2A473J	CHIP R 47K J 1/10W	
R101			RK73GB2A000J	CHIP R 0.0 J 1/10W		R205			RK73GB2A104J	CHIP R 100K J 1/10W	
						R206			RK73GB2A122J	CHIP R 1.2K J 1/10W	

## PARTS LIST

### CONTROL UNIT (X53-4130-11)

Ref. No.	Address	New parts	Parts No.	Description	Desti- nation	Ref. No.	Address	New parts	Parts No.	Description	Desti- nation
R207,208			RK73GB2A473J	CHIP R 47K J 1/10W		R435			RK73GB2A473J	CHIP R 47K J 1/10W	
R210			RK73GB2A000J	CHIP R 0.0 J 1/10W		R436-446			RK73GB2A000J	CHIP R 0.0 J 1/10W	
R211,212			RK73GB2A473J	CHIP R 47K J 1/10W		R448-454			RK73GB2A000J	CHIP R 0.0 J 1/10W	
R215			RK73GB2A473J	CHIP R 47K J 1/10W		R455			RK73GB2A104J	CHIP R 100K J 1/10W	
R216,217			RK73GB2A000J	CHIP R 0.0 J 1/10W		R457			RK73GB2A473J	CHIP R 47K J 1/10W	
R218,219			RK73GB2A473J	CHIP R 47K J 1/10W		R458,459			RK73GB2A104J	CHIP R 100K J 1/10W	
R220,221			RK73GB2A000J	CHIP R 0.0 J 1/10W		R460,461			RK73GB2A103J	CHIP R 10K J 1/10W	
R222			RK73GB2A473J	CHIP R 47K J 1/10W		R467,468			RK73GB2A000J	CHIP R 0.0 J 1/10W	
R230,231			RK73GB2A473J	CHIP R 47K J 1/10W		R469			RK73GB2A103J	CHIP R 10K J 1/10W	
R232			RK73GB2A102J	CHIP R 1.0K J 1/10W		R470			RK73GB2A000J	CHIP R 0.0 J 1/10W	
R233			RK73GB2A000J	CHIP R 0.0 J 1/10W		R471-473			RK73GB2A104J	CHIP R 100K J 1/10W	
R234,235			RK73GB2A473J	CHIP R 47K J 1/10W		R474			RK73GB2A000J	CHIP R 0.0 J 1/10W	
R237			RK73GB2A473J	CHIP R 47K J 1/10W		R475			RK73GB2A104J	CHIP R 100K J 1/10W	
R240-243			RK73GB2A473J	CHIP R 47K J 1/10W		R477			RK73GB2A104J	CHIP R 100K J 1/10W	
R245,246			RK73GB2A472J	CHIP R 4.7K J 1/10W		R478			RK73GB2A103J	CHIP R 10K J 1/10W	
R247			RK73GB2A473J	CHIP R 47K J 1/10W		R479			RK73GB2A000J	CHIP R 0.0 J 1/10W	
R249,250			RK73GB2A000J	CHIP R 0.0 J 1/10W		R482			RK73GB2A000J	CHIP R 0.0 J 1/10W	
R251			RK73GB2A473J	CHIP R 47K J 1/10W		R484			RK73GB2A000J	CHIP R 0.0 J 1/10W	
R254			RK73GB2A473J	CHIP R 47K J 1/10W		R491-495			RK73GB2A000J	CHIP R 0.0 J 1/10W	
R261,262			RK73GB2A473J	CHIP R 47K J 1/10W		R501			RK73GB2A000J	CHIP R 0.0 J 1/10W	
R267-271			RK73GB2A473J	CHIP R 47K J 1/10W		R502			RK73GB2A183J	CHIP R 18K J 1/10W	
R273			RK73GB2A473J	CHIP R 47K J 1/10W		R507-510			RK73GB2A183J	CHIP R 18K J 1/10W	
R275			RK73GB2A473J	CHIP R 47K J 1/10W		R511-515			RK73GB2A123J	CHIP R 12K J 1/10W	
R277			RK73GB2A473J	CHIP R 47K J 1/10W		R522,523			RK73GB2A000J	CHIP R 0.0 J 1/10W	
R279			RK73GB2A103J	CHIP R 10K J 1/10W		R524,525			RK73GB2A473J	CHIP R 47K J 1/10W	
R281			RK73GB2A103J	CHIP R 10K J 1/10W		R526,527			RK73GB2A121J	CHIP R 120 J 1/10W	
R283			RK73GB2A000J	CHIP R 0.0 J 1/10W		R528-535			RK73GB2A000J	CHIP R 0.0 J 1/10W	
R286-288			RK73GB2A000J	CHIP R 0.0 J 1/10W		R536			RK73GB2A104J	CHIP R 100K J 1/10W	
R289			RK73GB2A473J	CHIP R 47K J 1/10W		R540			RK73GB2A222J	CHIP R 2.2K J 1/10W	
R290			RK73GB2A000J	CHIP R 0.0 J 1/10W		R541			RK73GB2A123J	CHIP R 12K J 1/10W	
R292-294			RK73GB2A000J	CHIP R 0.0 J 1/10W		R551			RK73GB2A000J	CHIP R 0.0 J 1/10W	
R296,297			RK73GB2A473J	CHIP R 47K J 1/10W		D1,2			CMS05-Q	DIODE	
R299,300			RK73GB2A103J	CHIP R 10K J 1/10W		D3,4			DA204U	DIODE	
R301,302			RK73GB2A104J	CHIP R 100K J 1/10W		D5			1SS355	DIODE	
R303-315			RK73GB2A473J	CHIP R 47K J 1/10W		D6	*		Q2DZ18F-X	ZENER DIODE	
R316-338			RK73GB2A000J	CHIP R 0.0 J 1/10W		D7-11			DA204U	DIODE	
R340			RK73GB2A102J	CHIP R 1.0K J 1/10W		D12			1SS355	DIODE	
R342-351			RK73GB2A102J	CHIP R 1.0K J 1/10W		D13	*		Q2DZ18F-X	ZENER DIODE	
R352			RK73GB2A471J	CHIP R 470 J 1/10W		D14-18			DA204U	DIODE	
R353-357			RK73GB2A102J	CHIP R 1.0K J 1/10W		D20			DA204U	DIODE	
R358			RK73GB2A122J	CHIP R 1.2K J 1/10W		D23			DA204U	DIODE	
R359			RK73GB2A000J	CHIP R 0.0 J 1/10W		D24			SMD185F-2	VARIATOR	
R360			RK73GB2A122J	CHIP R 1.2K J 1/10W		D25			MINISMDC020F	VARIATOR	
R361-377			RK73GB2A000J	CHIP R 0.0 J 1/10W		D26			1SS388F	DIODE	
R378,379			RK73GB2A122J	CHIP R 1.2K J 1/10W		D28			1SS355	DIODE	
R380			RK73GB2A000J	CHIP R 0.0 J 1/10W		D29	*		Q2DZ18F-X	ZENER DIODE	
R389-396			RK73GB2A000J	CHIP R 0.0 J 1/10W		D30			1SS355	DIODE	
R398-409			RK73GB2A000J	CHIP R 0.0 J 1/10W		D31	*		Q2DZ18F-X	ZENER DIODE	
R410			RK73GB2A684J	CHIP R 680K J 1/10W		D32			1SS355	DIODE	
R411			RK73GB2A224J	CHIP R 220K J 1/10W		D33	*		Q2DZ18F-X	ZENER DIODE	
R412			RK73GB2A103J	CHIP R 10K J 1/10W		D36,37			DA204U	DIODE	
R413			RK73GB2A104J	CHIP R 100K J 1/10W		D38,39			1SS388F	DIODE	
R414			RK73GB2A000J	CHIP R 0.0 J 1/10W		IC1			BU4094BCFV	MOS-IC	
R415-418			RK73GB2A104J	CHIP R 100K J 1/10W		IC2,3			BU4053BCFV	MOS-IC	
R419,420			RK73GB2A000J	CHIP R 0.0 J 1/10W		IC4			AK4550VTP	MOS-IC	
R426			RS14KB3D220J	FL-PROOF RS 22 J 2W		IC5			NJM2732V	BI-POLAR IC	
R428-430			RK73GB2A000J	CHIP R 0.0 J 1/10W		IC6			XC6209B332PR	MOS-IC	
R432			RK73GB2A470J	CHIP R 47 J 1/10W		IC7			TA75S01F-F	MOS-IC	
R433			RK73GB2A473J	CHIP R 47K J 1/10W		IC8			M62364FP-F	MOS-IC	
R434			RK73GB2A470J	CHIP R 47 J 1/10W							

## PARTS LIST

### CONTROL UNIT (X53-4130-11)

### CONTROL UNIT (X53-4140-11)

Ref. No.	Address	New parts	Parts No.	Description	Destination	Ref. No.	Address	New parts	Parts No.	Description	Destination
IC9		*	NJM2734V	BI-POLAR IC		C312-317			CK73HB1H102K	CHIP C 1000PF	K
IC10,11			NJM2340RB1	MOS-IC		C320			CC73HCH1H101J	CHIP C 100PF	J
IC12			NJM2732V	BI-POLAR IC		C322,323			CK73HB1H102K	CHIP C 1000PF	K
IC14			BU4053BCFV	MOS-IC		C324			CC73HCH1H101J	CHIP C 100PF	J
IC15			BA33BC0FP	MOS-IC		C326-329			CK73HB1H102K	CHIP C 1000PF	K
IC16			XC6209B502PR	MOS-IC		C331			CK73HB1H102K	CHIP C 1000PF	K
IC17		*	<b>Note 1 (BGA)</b>	ROM IC		C333-335			CK73HB1H102K	CHIP C 1000PF	K
IC18			XC6201P182MR	MOS-IC		C337			CK73HB1H102K	CHIP C 1000PF	K
IC19			NJM2732V	BI-POLAR IC		C339			CC73HCH1H101J	CHIP C 100PF	J
IC20,21		*	NJM2734V	BI-POLAR IC		C341,342			CK73HB1H102K	CHIP C 1000PF	K
IC22			BU4094BCFV	MOS-IC		C343			CC73HCH1H101J	CHIP C 100PF	J
IC23			TC7SH00FU-F	MOS-IC		C344			CK73HB1H102K	CHIP C 1000PF	K
IC25			TC7S66FUF	MOS-IC		C345			CC73HCH1H101J	CHIP C 100PF	J
IC27			TC7SET126FU-F	MOS-IC		C346-348			CK73HB1H102K	CHIP C 1000PF	K
IC28			TC7SH126FU-F	MOS-IC		C349			CC73HCH1H101J	CHIP C 100PF	J
IC29	2C		LA4425A	MOS-IC		C350			CK73HB1H102K	CHIP C 1000PF	K
IC30			TC7SH00FU-F	MOS-IC		C352			CK73HB1H102K	CHIP C 1000PF	K
IC31			TC7MH4040FK-F	MOS-IC		C353			CC73HCH1H101J	CHIP C 100PF	J
IC32,33			TC7SH126FU-F	MOS-IC		C354			CK73HB1H102K	CHIP C 1000PF	K
IC34			3625MGP396GP	MICRO CONTROL UNIT		C355			CK73HB1E103K	CHIP C 0.010UF	K
IC35			S24CS02AFJTBG	ROM IC		C356			CC73HCH1H101J	CHIP C 100PF	J
IC36			TC7MET541AFK	MOS-IC		C357,358			CK73HB1H102K	CHIP C 1000PF	K
IC37			320VC5402PGE	MICRO CONTROL UNIT		C359,360			CK73HB1A104K	CHIP C 0.10UF	K
IC38			TC7SET08FU-F	MOS-IC		C361			CK73HB1H102K	CHIP C 1000PF	K
IC39			TC7SH125FU-F	MOS-IC		C362			CK73HB1E103K	CHIP C 0.010UF	K
IC40			TC7SH126FU-F	MOS-IC		C364-366			CK73HB1H102K	CHIP C 1000PF	K
IC41			TC7SH08FU-F	MOS-IC		C369,370			CK73HB1H102K	CHIP C 1000PF	K
IC50			TC7SH08FU-F	MOS-IC		C371			CK73HB1A104K	CHIP C 0.10UF	K
Q1			DTC114EUA	DIGITAL TRANSISTOR		C373,374			CK73HB1H102K	CHIP C 1000PF	K
Q2,3			2SJ506-E(S)	FET		C376-378			CK73HB1H102K	CHIP C 1000PF	K
Q4,5		*	2SC4738F	TRANSISTOR		C379			CK73HB1A104K	CHIP C 0.10UF	K
Q6			DTC363EU	DIGITAL TRANSISTOR		C380,381			CK73HB1H102K	CHIP C 1000PF	K
Q7,8			DTC114EUA	DIGITAL TRANSISTOR		C383-386			CK73HB1H102K	CHIP C 1000PF	K
Q9			2SJ506-E(S)	FET		C387			CK73GB1H103K	CHIP C 0.010UF	K
Q10		*	2SC4738F	TRANSISTOR		C388-390			CK73HB1H102K	CHIP C 1000PF	K
Q11			2SD2114K(W)	TRANSISTOR		C391			CK73GB1E105K	CHIP C 1.0UF	K
Q12		*	2SC4738F	TRANSISTOR		C393-395			CK73HB1H102K	CHIP C 1000PF	K
Q13			2SD2114K(W)	TRANSISTOR		C396			CK73GB1H103K	CHIP C 0.010UF	K
Q14			2SC4116(Y)F	TRANSISTOR		C397,398			CK73HB1H102K	CHIP C 1000PF	K
Q15			2SA1586(Y)F	TRANSISTOR		C399			CK73GB1H104K	CHIP C 0.10UF	K
Q16			2SC4116(Y)F	TRANSISTOR		C401			CC73HCH1H101J	CHIP C 100PF	J
Q17			2SA1586(Y)F	TRANSISTOR		C402			CK73HB1H102K	CHIP C 1000PF	K
Q18			2SK1830F	FET		C403			CC73HCH1H101J	CHIP C 100PF	J
Q19			HN1L02FU(F)	FET		C405,406			CK73HB1H102K	CHIP C 1000PF	K
Q20			2SA1955A-F	TRANSISTOR		C409			CK73HB1H102K	CHIP C 1000PF	K
Q21			DTC144EUA	DIGITAL TRANSISTOR		C410			CC73HCH1H101J	CHIP C 100PF	J
Q22			2SA1955A-F	TRANSISTOR		C412-415			CK73HB1H102K	CHIP C 1000PF	K
Q23			DTC144EUA	DIGITAL TRANSISTOR		C416			CC73HCH1H101J	CHIP C 100PF	J
Q25,26			DTC144EUA	DIGITAL TRANSISTOR		C417,418			CE32AU1C330M	CHIP EL 33UF	16WV
Q27-29			2SD2114K(W)	TRANSISTOR		C419			CC73HCH1H101J	CHIP C 100PF	J
<b>CONTROL UNIT (X53-4140-11 for service)</b>						C420			CK73HB1A104K	CHIP C 0.10UF	K
C302			CC73HCH1H101J	CHIP C 100PF	J	C421			CK73HB1H102K	CHIP C 1000PF	K
C303			CK73HB1H102K	CHIP C 1000PF	K	C422			CE32AU1C330M	CHIP EL 33UF	16WV
C305			CK73HB1A104K	CHIP C 0.10UF	K	C423			CC73HCH1H101J	CHIP C 100PF	J
C306			CK73HB1H102K	CHIP C 1000PF	K	C424			CK73HB1H102K	CHIP C 1000PF	K
C308,309			CK73HB1H102K	CHIP C 1000PF	K	C426-430			CK73HB1H102K	CHIP C 1000PF	K
C311			CK73HB1A104K	CHIP C 0.10UF	K	C432			CC73HCH1H101J	CHIP C 100PF	J
						C433			CK73HB1H102K	CHIP C 1000PF	K
						C435-437			CK73HB1H102K	CHIP C 1000PF	K
						C438			CK73GB1H103K	CHIP C 0.010UF	K



## PARTS LIST

CONTROL UNIT (X53-4140-11)

Ref. No.	Address	New parts	Parts No.	Description	Desti-nation	Ref. No.	Address	New parts	Parts No.	Description	Desti-nation
C439			CE32AU1C330M	CHIP EL 33UF 16WV		C553			CK73HB1E103K	CHIP C 0.010UF K	
C440-442			CK73HB1H102K	CHIP C 1000PF K		C557			CK73HB1H102K	CHIP C 1000PF K	
C443,444			CE32AU1C330M	CHIP EL 33UF 16WV		C565			CK73FB0J106K	CHIP C 10UF K	
C445			CK73HB1A104K	CHIP C 0.10UF K		C566			CK73HB1H102K	CHIP C 1000PF K	
C446			CK73FB1H102K	CHIP C 1000PF K		C567			CK73HB1E103K	CHIP C 0.010UF K	
C447			CK73HB1A104K	CHIP C 0.10UF K		C569			CE32AU1C330M	CHIP EL 33UF 16WV	
C448			CE32AU1C330M	CHIP EL 33UF 16WV		C570,571			CK73HB1H102K	CHIP C 1000PF K	
C449,450			CK73HB1A104K	CHIP C 0.10UF K		C572			CE32BM1E470M	CHIP EL 47UF 25WV	
C453			CK73GB1H103K	CHIP C 0.010UF K		C574			CK73HB1H102K	CHIP C 1000PF K	
C461			CK73GB1H103K	CHIP C 0.010UF K		C575-588			CK73HB1E103K	CHIP C 0.010UF K	
C462			CK73HB1E103K	CHIP C 0.010UF K		C590-601			CK73HB1E103K	CHIP C 0.010UF K	
C463			CC73HCH1H100D	CHIP C 10PF D		C700			CK73HB1E103K	CHIP C 0.010UF K	
C465			CK73GB1H103K	CHIP C 0.010UF K		C701			CK73HB1A104K	CHIP C 0.10UF K	
C466			CK73GB1H104K	CHIP C 0.10UF K		C702			CK73HB1H102K	CHIP C 1000PF K	
C467			CK73GB1H103K	CHIP C 0.010UF K		C703			CC73HCH1H150J	CHIP C 15PF J	
C468			CK73GB1H104K	CHIP C 0.10UF K		C704,705			CK73FB0J106K	CHIP C 10UF K	
C469			CC73GCH1H121J	CHIP C 120PF J		C706			CK73HB1H102K	CHIP C 1000PF K	
C471			CK73HB1H102K	CHIP C 1000PF K		C707			CC73HCH1H070D	CHIP C 7.0PF D	
C474			CK73HB1H392K	CHIP C 3900PF K		C708			CK73HB1A104K	CHIP C 0.10UF K	
C475			CK73FB0J106K	CHIP C 10UF K		C709			CK73FB0J106K	CHIP C 10UF K	
C476			CK73HB1A104K	CHIP C 0.10UF K		C710			CK73HB1E103K	CHIP C 0.010UF K	
C477			CC73GCH1H121J	CHIP C 120PF J		C711			CK73FB0J106K	CHIP C 10UF K	
C478			CK73HB1H102K	CHIP C 1000PF K		C712			CK73HB1H102K	CHIP C 1000PF K	
C479			CC73GCH1H121J	CHIP C 120PF J		C713			CK73HB1A104K	CHIP C 0.10UF K	
C480			CK73FB0J106K	CHIP C 10UF K		C714			CK73FB0J106K	CHIP C 10UF K	
C482			CK73HB1A104K	CHIP C 0.10UF K		C715			CK73HB1A104K	CHIP C 0.10UF K	
C484			CS77BA1C010M	CHIP TANTL 1.0UF 10WV		C716			CK73HB1H102K	CHIP C 1000PF K	
C485			CK73GB1H103K	CHIP C 0.010UF K		C717			CK73HB1A104K	CHIP C 0.10UF K	
C486			CC73GCH1H121J	CHIP C 120PF J		C718			CC73HCH1H070D	CHIP C 7.0PF D	
C487			CK73HB1H102K	CHIP C 1000PF K		C719			CK73FB0J106K	CHIP C 10UF K	
C491			CK73FB0J106K	CHIP C 10UF K		C720			CK73HB1A104K	CHIP C 0.10UF K	
C493,494			CK73HB1A104K	CHIP C 0.10UF K		C721			CC73HCH1H100D	CHIP C 10PF D	
C495			CK73GB1E105K	CHIP C 1.0UF K		C722,723			CK73HB1H102K	CHIP C 1000PF K	
C496			CK73HB1C822K	CHIP C 8200PF K		C724			CK73HB1A104K	CHIP C 0.10UF K	
C501			CK73HB1A104K	CHIP C 0.10UF K		C725			CK73HB1H102K	CHIP C 1000PF K	
C504			CK73HB1A104K	CHIP C 0.10UF K		C726			CK73FB0J106K	CHIP C 10UF K	
C506			CK73HB1H472K	CHIP C 4700PF K		C727			CC73HCH1H020B	CHIP C 2.0PF B	
C507			CK73HB1E103K	CHIP C 0.010UF K		C728			CK73HB1E103K	CHIP C 0.010UF K	
C508			CK73HB1A104K	CHIP C 0.10UF K		C729			CC73HCH1H020B	CHIP C 2.0PF B	
C509			CK73GB1E105K	CHIP C 1.0UF K		C730			CK73HB1A104K	CHIP C 0.10UF K	
C515			CK73GB1E105K	CHIP C 1.0UF K		C732			CK73HB1H102K	CHIP C 1000PF K	
C516			CK73HB1H102K	CHIP C 1000PF K		C733-741			CK73HB1A104K	CHIP C 0.10UF K	
C517			CK73HB1A104K	CHIP C 0.10UF K		C742			CK73FB0J106K	CHIP C 10UF K	
C519			CK73HB1C473K	CHIP C 0.047UF K		C743,744			CK73HB1A104K	CHIP C 0.10UF K	
C520			CK73GB1E105K	CHIP C 1.0UF K		C746-750			CK73GB1E105K	CHIP C 1.0UF K	
C521			CK73HB1E103K	CHIP C 0.010UF K		C751			CK73HB1E103K	CHIP C 0.010UF K	
C522-525			CK73HB1A104K	CHIP C 0.10UF K		C754-758			CK73HB1A104K	CHIP C 0.10UF K	
C526-529			CK73FB0J106K	CHIP C 10UF K		C767,768			CK73HB1H102K	CHIP C 1000PF K	
C531			CK73HB1H102K	CHIP C 1000PF K		C769			CK73FB0J106K	CHIP C 10UF K	
C532			CK73HB1A104K	CHIP C 0.10UF K		C770-773			CK73HB1A104K	CHIP C 0.10UF K	
C533-536			CK73HB1H102K	CHIP C 1000PF K		C775			CK73HB1H102K	CHIP C 1000PF K	
C537			CK73FB0J106K	CHIP C 10UF K		C776-780			CK73HB1E103K	CHIP C 0.010UF K	
C538,539			CK73HB1H102K	CHIP C 1000PF K		C781			CK73HB1A104K	CHIP C 0.10UF K	
C543			CK73FB0J106K	CHIP C 10UF K		C782			CC73HCH1H120G	CHIP C 12PF G	
C544-546			CK73HB1H102K	CHIP C 1000PF K		C783			CC73HCH1H100D	CHIP C 10PF D	
C547			CK73FB0J106K	CHIP C 10UF K		C784,785			CK73HB1A104K	CHIP C 0.10UF K	
C548			CK73HB1E103K	CHIP C 0.010UF K		C786			CC73HCH1H150J	CHIP C 15PF J	
C549			CC73HCH1H120G	CHIP C 12PF G		C787			CC73HCH1H100D	CHIP C 10PF D	
C550,551			CC73HCH1H100D	CHIP C 10PF D		C788			CK73FB0J106K	CHIP C 10UF K	
C552			CC73HCH1H150J	CHIP C 15PF J		C789-793			CK73HB1A104K	CHIP C 0.10UF K	

# NXR-700

## PARTS LIST

### CONTROL UNIT (X53-4140-11)

Ref. No.	Address	New parts	Parts No.	Description	Destination	Ref. No.	Address	New parts	Parts No.	Description	Destination
C794			CK73FB0J106K	CHIP C 10UF K		CP737			RK75HA1JR00J	CHIP-COM 0.00 J 1/16W	
C795			CK73HB1A104K	CHIP C 0.10UF K		CP739			RK75HA1JR00J	CHIP-COM 0.00 J 1/16W	
C796,797			CK73HB1E103K	CHIP C 0.010UF K		CP743			RK75HA1JR00J	CHIP-COM 0.00 J 1/16W	
C798			CK73HB1A104K	CHIP C 0.10UF K		CP747			RK75HA1JR00J	CHIP-COM 0.00 J 1/16W	
C799,800			CK73HB1E103K	CHIP C 0.010UF K		CP750			RK75HA1JR00J	CHIP-COM 0.00 J 1/16W	
C801			CK73HB1H102K	CHIP C 1000PF K		CP760			RK75HA1JR00J	CHIP-COM 0.00 J 1/16W	
C802,803			CK73HB1A104K	CHIP C 0.10UF K		CP762			RK75HA1JR00J	CHIP-COM 0.00 J 1/16W	
C804			CK73FB0J106K	CHIP C 10UF K		CP768			RK75HA1JR00J	CHIP-COM 0.00 J 1/16W	
C805-807			CK73HB1E103K	CHIP C 0.010UF K		CP775-778			RK75HA1JR00J	CHIP-COM 0.00 J 1/16W	
C808			CK73HB1H102K	CHIP C 1000PF K		CP783-798			RK75HA1J390J	CHIP-COM 39 J 1/16W	
C809			CK73HB1A104K	CHIP C 0.10UF K		CP807-811			RK75HA1J104J	CHIP-COM 100K J 1/16W	
C812			CK73HB1A104K	CHIP C 0.10UF K		CP813			RK75HA1J104J	CHIP-COM 100K J 1/16W	
C813-815			CK73HB1H102K	CHIP C 1000PF K		CP814,815			RK75HA1JR00J	CHIP-COM 0.00 J 1/16W	
C816-818			CK73HB1A104K	CHIP C 0.10UF K		R300,301			RK73GB2A000J	CHIP R 0.0 J 1/10W	
C819			CK73HB1H102K	CHIP C 1000PF K		R302			RK73HB1J000J	CHIP R 0.0 J 1/16W	
C820,821			CK73HB1A104K	CHIP C 0.10UF K		R303			RK73GB2A000J	CHIP R 0.0 J 1/10W	
C822			CK73HB1H102K	CHIP C 1000PF K		R309			RK73HB1J000J	CHIP R 0.0 J 1/16W	
C825			CK73HB1H102K	CHIP C 1000PF K		R311-317			RK73HB1J000J	CHIP R 0.0 J 1/16W	
C826,827			CC73HCH1H101J	CHIP C 100PF J		R318,319			RK73HB1J101J	CHIP R 100 J 1/16W	
C828			CK73HB1H102K	CHIP C 1000PF K		R320-337			RK73HB1J000J	CHIP R 0.0 J 1/16W	
C829			CC73HCH1H101J	CHIP C 100PF J		R339			RK73HB1J473J	CHIP R 47K J 1/16W	
C830			CK73HB1H102K	CHIP C 1000PF K		R340-350			RK73HB1J000J	CHIP R 0.0 J 1/16W	
C831			CC73HCH1H101J	CHIP C 100PF J		R352-354			RK73HB1J000J	CHIP R 0.0 J 1/16W	
C832			CK73HB1H102K	CHIP C 1000PF K		R356-360			RK73HB1J000J	CHIP R 0.0 J 1/16W	
C833,834			CK73HB1A104K	CHIP C 0.10UF K		R361			RK73GB2A104J	CHIP R 100K J 1/10W	
C835-837			CK73HB1H102K	CHIP C 1000PF K		R362			RK73GB2A681J	CHIP R 680 J 1/10W	
C838,839			CC73HCH1H101J	CHIP C 100PF J		R363-386			RK73HB1J000J	CHIP R 0.0 J 1/16W	
C841-848			CC73GCH1H470J	CHIP C 47PF J		R387			RK73HB1J104J	CHIP R 100K J 1/16W	
C850			CC73GCH1H470J	CHIP C 47PF J		R388-390			RK73GB2A000J	CHIP R 0.0 J 1/10W	
C851-869			CC73HCH1H470J	CHIP C 47PF J		R391			RK73GB2A100J	CHIP R 10 J 1/10W	
C870-873			CK73HB1H102K	CHIP C 1000PF K		R392			RK73HB1J103J	CHIP R 10K J 1/16W	
CN300			E04-0193-05	PIN SOCKET		R393-397			RK73HB1J000J	CHIP R 0.0 J 1/16W	
CN302			E04-0193-05	PIN SOCKET		R398			RK73HB1J104J	CHIP R 100K J 1/16W	
CN400-402			E40-6656-05	PIN ASSY		R399			RK73HB1J151J	CHIP R 150 J 1/16W	
CN713			E41-2263-05	PIN ASSY		R401			RK73HB1J000J	CHIP R 0.0 J 1/16W	
J700			E58-0516-05	MODULAR JACK		R403			RK73GB2A000J	CHIP R 0.0 J 1/10W	
J701			E58-0515-05	RECTANGULAR RECEPTACLE		R404,405			RK73HB1J000J	CHIP R 0.0 J 1/16W	
J702,703			E58-0533-05	MODULAR JACK		R406			RK73GB2A000J	CHIP R 0.0 J 1/10W	
-			J19-5497-05	HOLDER (COMPACT FLASH)		R408,409			RK73HB1J000J	CHIP R 0.0 J 1/16W	
L300-307			L92-0447-05	BEADS CORE		R410			RK73GB2A103J	CHIP R 10K J 1/10W	
L308,309			L41-8285-33	SMALL FIXED INDUCTOR (0.82UH)		R411			RK73GB2A472J	CHIP R 4.7K J 1/10W	
L310			L41-1005-33	SMALL FIXED INDUCTOR (10UH)		R413			RK73GB2A103J	CHIP R 10K J 1/10W	
L311,312			L41-1595-33	SMALL FIXED INDUCTOR (1.5UH)		R414			RK73HB1J000J	CHIP R 0.0 J 1/16W	
L313-316			L92-0447-05	BEADS CORE		R415			RK73HB1J100J	CHIP R 10 J 1/16W	
L317,318			L33-1500-05	CHOKE COIL		R416			RK73HB1J104J	CHIP R 100K J 1/16W	
L319-325			L92-0447-05	BEADS CORE		R417			RK73HB1J000J	CHIP R 0.0 J 1/16W	
L326-329			L92-0467-05	CHIP FERRITE		R418,419			RK73GB2A104J	CHIP R 100K J 1/10W	
X300			L77-1988-05	VCXO (12.288MHZ)		R420			RK73HB1J000J	CHIP R 0.0 J 1/16W	
X301			L77-1984-05	CRYSTAL RESONATOR (14.7456MHZ)		R421			RK73HB1J100J	CHIP R 10 J 1/16W	
X700			L77-1985-05	CRYSTAL RESONATOR (25.8048MHZ)		R423			RK73HB1J000J	CHIP R 0.0 J 1/16W	
X701			L77-1802-05	CRYSTAL RESONATOR (32768HZ)		R424			RK73GB2A681J	CHIP R 680 J 1/10W	
X702			L77-1986-05	CRYSTAL RESONATOR (25MHZ)		R425			RK73HB1J000J	CHIP R 0.0 J 1/16W	
-			N30-2008-43	PAN HEAD MACHINE SCREW (CF)		R428			RK73GB2A100J	CHIP R 10 J 1/10W	
CP716			RK75HA1JR00J	CHIP-COM 0.00 J 1/16W		R429			RK73GB2A471J	CHIP R 470 J 1/10W	
CP718			RK75HA1JR00J	CHIP-COM 0.00 J 1/16W		R431			RK73HB1J000J	CHIP R 0.0 J 1/16W	
CP720			RK75HA1JR00J	CHIP-COM 0.00 J 1/16W		R432			RK73GB2A220J	CHIP R 22 J 1/10W	
						R433			RK73HB1J105J	CHIP R 1.0M J 1/16W	
						R438			RK73GB2A100J	CHIP R 10 J 1/10W	
						R439,440			RK73GB2A220J	CHIP R 22 J 1/10W	
						R441			RK73HB1J823J	CHIP R 82K J 1/16W	

## PARTS LIST

CONTROL UNIT (X53-4140-11)

Ref. No.	Address	New parts	Parts No.	Description	Desti-nation	Ref. No.	Address	New parts	Parts No.	Description	Desti-nation
R442			RK73HB1J683J	CHIP R 68K J 1/16W		R590			RK73HB1J000J	CHIP R 0.0 J 1/16W	
R445			RK73HB1J393J	CHIP R 39K J 1/16W		R591			RK73HB1J223J	CHIP R 22K J 1/16W	
R446,447			RK73HB1J000J	CHIP R 0.0 J 1/16W		R592-600			RK73HB1J000J	CHIP R 0.0 J 1/16W	
R448			RK73GB2A221J	CHIP R 220 J 1/10W		R602			RK73HB1J103J	CHIP R 10K J 1/16W	
R449			RK73HB1J683J	CHIP R 68K J 1/16W		R604			RK73HB1J103J	CHIP R 10K J 1/16W	
R451			RK73HB1J473J	CHIP R 47K J 1/16W		R605-610			RK73HB1J000J	CHIP R 0.0 J 1/16W	
R452-454			RK73HB1J100J	CHIP R 10 J 1/16W		R612-616			RK73HB1J000J	CHIP R 0.0 J 1/16W	
R457-461			RK73HB1J473J	CHIP R 47K J 1/16W		R620-623			RK73HB1J000J	CHIP R 0.0 J 1/16W	
R464			RK73HB1J472J	CHIP R 4.7K J 1/16W		R624			RK73HB1J473J	CHIP R 47K J 1/16W	
R469			RK73HB1J470J	CHIP R 47 J 1/16W		R626			RK73HB1J473J	CHIP R 47K J 1/16W	
R470			RK73HB1J102J	CHIP R 1.0K J 1/16W		R627			RK73HB1J000J	CHIP R 0.0 J 1/16W	
R474			RK73HB1J100J	CHIP R 10 J 1/16W		R629-631			RK73HB1J000J	CHIP R 0.0 J 1/16W	
R478			RK73HB1J100J	CHIP R 10 J 1/16W		R632			RK73HB1J101J	CHIP R 100 J 1/16W	
R479			RK73HB1J102J	CHIP R 1.0K J 1/16W		R634			RK73HB1J473J	CHIP R 47K J 1/16W	
R480			RK73HB1J100J	CHIP R 10 J 1/16W		R635,636			RK73HB1J000J	CHIP R 0.0 J 1/16W	
R481			RK73HB1J473J	CHIP R 47K J 1/16W		R637-640			RK73HB1J473J	CHIP R 47K J 1/16W	
R483			RK73HB1J104J	CHIP R 100K J 1/16W		R641			RK73HB1J000J	CHIP R 0.0 J 1/16W	
R484			RK73HB1J000J	CHIP R 0.0 J 1/16W		R642			RK73HB1J101J	CHIP R 100 J 1/16W	
R485			RK73HB1J100J	CHIP R 10 J 1/16W		R643			RK73HB1J473J	CHIP R 47K J 1/16W	
R486-489			RK73HB1J000J	CHIP R 0.0 J 1/16W		R644			RK73HB1J000J	CHIP R 0.0 J 1/16W	
R491-505			RK73HB1J000J	CHIP R 0.0 J 1/16W		R646			RK73HB1J473J	CHIP R 47K J 1/16W	
R516-518			RK73HB1J473J	CHIP R 47K J 1/16W		R648			RK73HB1J000J	CHIP R 0.0 J 1/16W	
R521			RK73HB1J000J	CHIP R 0.0 J 1/16W		R649			RK73HB1J101J	CHIP R 100 J 1/16W	
R522			RK73HB1J473J	CHIP R 47K J 1/16W		R650			RK73HB1J473J	CHIP R 47K J 1/16W	
R526			RK73HB1J000J	CHIP R 0.0 J 1/16W		R651-653			RK73HB1J000J	CHIP R 0.0 J 1/16W	
R527			RK73HB1J473J	CHIP R 47K J 1/16W		R656,657			RK73HB1J000J	CHIP R 0.0 J 1/16W	
R528,529			RK73HB1J000J	CHIP R 0.0 J 1/16W		R660-664			RK73HB1J000J	CHIP R 0.0 J 1/16W	
R530			RK73HB1J473J	CHIP R 47K J 1/16W		R667,668			RK73HB1J000J	CHIP R 0.0 J 1/16W	
R531,532			RK73HB1J000J	CHIP R 0.0 J 1/16W		R672-674			RK73HB1J473J	CHIP R 47K J 1/16W	
R533,534			RK73HB1J473J	CHIP R 47K J 1/16W		R678,679			RK73HB1J000J	CHIP R 0.0 J 1/16W	
R535-539			RK73HB1J000J	CHIP R 0.0 J 1/16W		R680			RK73HB1J473J	CHIP R 47K J 1/16W	
R540-542			RK73HB1J473J	CHIP R 47K J 1/16W		R685-687			RK73HB1J000J	CHIP R 0.0 J 1/16W	
R543			RK73HB1J000J	CHIP R 0.0 J 1/16W		R690			RK73HB1J000J	CHIP R 0.0 J 1/16W	
R546			RK73HB1J000J	CHIP R 0.0 J 1/16W		R700,701			RK73HB1J103J	CHIP R 10K J 1/16W	
R547,548			RK73HB1J473J	CHIP R 47K J 1/16W		R702,703			RK73HB1J473J	CHIP R 47K J 1/16W	
R549			RK73HB1J000J	CHIP R 0.0 J 1/16W		R709,710			RK73HB1J104J	CHIP R 100K J 1/16W	
R550			RK73HB1J473J	CHIP R 47K J 1/16W		R711			RK73GB2A000J	CHIP R 0.0 J 1/10W	
R551,552			RK73HB1J000J	CHIP R 0.0 J 1/16W		R712-714			RK73HB1J100J	CHIP R 10 J 1/16W	
R553-555			RK73HB1J473J	CHIP R 47K J 1/16W		R715			RK73GB2A000J	CHIP R 0.0 J 1/10W	
R556,557			RK73HB1J000J	CHIP R 0.0 J 1/16W		R716			RK73HB1J000J	CHIP R 0.0 J 1/16W	
R559			RK73HB1J102J	CHIP R 1.0K J 1/16W		R718			RK73HB1J104J	CHIP R 100K J 1/16W	
R560			RK73HB1J103J	CHIP R 10K J 1/16W		R719			RK73HB1J472J	CHIP R 4.7K J 1/16W	
R561			RK73HB1J000J	CHIP R 0.0 J 1/16W		R720			RK73HB1J100J	CHIP R 10 J 1/16W	
R562			RK73HB1J103J	CHIP R 10K J 1/16W		R721			RK73GB2A000J	CHIP R 0.0 J 1/10W	
R564-566			RK73HB1J000J	CHIP R 0.0 J 1/16W		R722			RK73HB1J472J	CHIP R 4.7K J 1/16W	
R567			RK73HB1J473J	CHIP R 47K J 1/16W		R725,726			RK73HB1J000J	CHIP R 0.0 J 1/16W	
R568			RK73HB1J000J	CHIP R 0.0 J 1/16W		R727			RK73HB1J103J	CHIP R 10K J 1/16W	
R569			RK73HB1J224J	CHIP R 220K J 1/16W		R729,730			RK73HB1J000J	CHIP R 0.0 J 1/16W	
R570			RK73HB1J000J	CHIP R 0.0 J 1/16W		R731			RK73HB1J103J	CHIP R 10K J 1/16W	
R573-576			RK73HB1J000J	CHIP R 0.0 J 1/16W		R732			RK73HB1J390J	CHIP R 39 J 1/16W	
R577,578			RK73HB1J473J	CHIP R 47K J 1/16W		R733			RK73HB1J104J	CHIP R 100K J 1/16W	
R579			RK73HB1J000J	CHIP R 0.0 J 1/16W		R734			RK73HB1J102J	CHIP R 1.0K J 1/16W	
R581			RK73HB1J000J	CHIP R 0.0 J 1/16W		R735,736			RK73HB1J000J	CHIP R 0.0 J 1/16W	
R582			RK73HB1J473J	CHIP R 47K J 1/16W		R738			RK73HB1J104J	CHIP R 100K J 1/16W	
R583			RK73HB1J000J	CHIP R 0.0 J 1/16W		R742			RK73HB1J104J	CHIP R 100K J 1/16W	
R584			RK73HB1J473J	CHIP R 47K J 1/16W		R743,744			RK73HB1J153J	CHIP R 15K J 1/16W	
R585,586			RK73HB1J000J	CHIP R 0.0 J 1/16W		R745			RK73HB1J104J	CHIP R 100K J 1/16W	
R587			RK73HB1J473J	CHIP R 47K J 1/16W		R751			RK73HB1J000J	CHIP R 0.0 J 1/16W	
R588			RK73HB1J000J	CHIP R 0.0 J 1/16W		R754			RK73HB1J103J	CHIP R 10K J 1/16W	
R589			RK73HB1J473J	CHIP R 47K J 1/16W		R756			RK73HB1J000J	CHIP R 0.0 J 1/16W	

## PARTS LIST

### CONTROL UNIT (X53-4140-11)

Ref. No.	Address	New parts	Parts No.	Description	Destination	Ref. No.	Address	New parts	Parts No.	Description	Destination
R758			RK73HB1J103J	CHIP R 10K J 1/16W		R902,903			RK73HB1J000J	CHIP R 0.0 J 1/16W	
R759			RK73HB1J000J	CHIP R 0.0 J 1/16W		R907			RK73HB1J000J	CHIP R 0.0 J 1/16W	
R760			RK73HB1J103J	CHIP R 10K J 1/16W		R909			RK73HB1J000J	CHIP R 0.0 J 1/16W	
R761-765			RK73GB2A000J	CHIP R 0.0 J 1/10W		R910			RK73HB1J473J	CHIP R 47K J 1/16W	
R766			RK73HB1J000J	CHIP R 0.0 J 1/16W		R911			RK73HB1J000J	CHIP R 0.0 J 1/16W	
R767			RK73HB1J102J	CHIP R 1.0K J 1/16W		R912			RK73HB1J473J	CHIP R 47K J 1/16W	
R768-770			RK73HB1J000J	CHIP R 0.0 J 1/16W		R913,914			RK73HB1J000J	CHIP R 0.0 J 1/16W	
R772-777			RK73HB1J104J	CHIP R 100K J 1/16W		R915			RK73HB1J473J	CHIP R 47K J 1/16W	
R778			RK73HB1J000J	CHIP R 0.0 J 1/16W		R916-923			RK73HB1J000J	CHIP R 0.0 J 1/16W	
R779			RK73HB1J104J	CHIP R 100K J 1/16W		R924			RK73HB1J104J	CHIP R 100K J 1/16W	
R780			RK73HB1J000J	CHIP R 0.0 J 1/16W		R926			RK73HB1J473J	CHIP R 47K J 1/16W	
R781-784			RK73HB1J104J	CHIP R 100K J 1/16W		R927-933			RK73HB1J000J	CHIP R 0.0 J 1/16W	
R785			RK73HB1J272J	CHIP R 2.7K J 1/16W		R934,935			RK73HB1J474J	CHIP R 470K J 1/16W	
R786-788			RK73HB1J104J	CHIP R 100K J 1/16W		R936			RK73HB1J104J	CHIP R 100K J 1/16W	
R794			RK73HB1J104J	CHIP R 100K J 1/16W		R942			RK73HB1J104J	CHIP R 100K J 1/16W	
R796			RK73HB1J104J	CHIP R 100K J 1/16W		R943			RK73HB1J000J	CHIP R 0.0 J 1/16W	
R799-803			RK73HB1J104J	CHIP R 100K J 1/16W		R945-950			RK73HB1J000J	CHIP R 0.0 J 1/16W	
R805-808			RK73HB1J103J	CHIP R 10K J 1/16W		R951			RK73HB1J104J	CHIP R 100K J 1/16W	
R816			RK73HB1J105J	CHIP R 1.0M J 1/16W		R952,953			RK73HB1J000J	CHIP R 0.0 J 1/16W	
R817			RK73HB1J821J	CHIP R 820 J 1/16W		R954-957			RK73GB2A000J	CHIP R 0.0 J 1/10W	
R818			RK73HB1J104J	CHIP R 100K J 1/16W		R961			RK73GB2A000J	CHIP R 0.0 J 1/10W	
R819			RK73GB2A000J	CHIP R 0.0 J 1/10W		S700			S79-0473-05	DIP SWITCHES	
R820			RK73HB1J103J	CHIP R 10K J 1/16W		D300			1SS388F	DIODE	
R821			RK73HB1J000J	CHIP R 0.0 J 1/16W		D701			1SS388F	DIODE	
R822			RK73HB1J103J	CHIP R 10K J 1/16W		D702			1SS355	DIODE	
R824			RK73HB1J103J	CHIP R 10K J 1/16W		IC300,301			TC7SET126FU-F	MOS-IC	
R826			RK73HB1J103J	CHIP R 10K J 1/16W		IC302			SN65HVD485EDR	MOS-IC	
R827			RK73GB2A000J	CHIP R 0.0 J 1/10W		IC303			BU4829FVE	MOS-IC	
R828			RK73HB1J104J	CHIP R 100K J 1/16W		IC304			TC7SH125FU-F	MOS-IC	
R829			RK73HH1J113D	CHIP R 11K D 1/16W		IC305			XC6209B332PR	MOS-IC	
R830			RK73HB1J104J	CHIP R 100K J 1/16W		IC306			BA15BCOFF	MOS-IC	
R832			RK73HB1J104J	CHIP R 100K J 1/16W		IC307			XC6201P152PR	MOS-IC	
R833			RK73HB1J000J	CHIP R 0.0 J 1/16W		IC308			XC61CN2702N	MOS-IC	
R834			RK73HB1J104J	CHIP R 100K J 1/16W		IC309			AK4550VTP	MOS-IC	
R835			RK73HB1J000J	CHIP R 0.0 J 1/16W		IC312			ADCS7476AIMF	MOS-IC	
R837			RK73GH2A49R9D	CHIP R 49.9 D 1/10W		IC313			TC7WU04FK-F	MOS-IC	
R839			RK73GB2A000J	CHIP R 0.0 J 1/10W		IC314		*	Note 1 (BGA)	ROM IC	
R840			RK73GH2A49R9D	CHIP R 49.9 D 1/10W		IC315			ADF4001BRUZ	MOS-IC	
R842-845			RK73HB1J104J	CHIP R 100K J 1/16W		IC318			TC7SH126FU-F	MOS-IC	
R867,868			RK73GH2A24R9D	CHIP R 24.9 D 1/10W		IC319-321			TC7SET126FU-F	MOS-IC	
R869			RK73HB1J331J	CHIP R 330 J 1/16W		IC323,324			Note 1 (BGA)	MICRO CONTROL UNIT	
R870			RK73HB1J000J	CHIP R 0.0 J 1/16W		IC325			3625MGP396GP	MICRO CONTROL UNIT	
R871-873			RK73HB1J103J	CHIP R 10K J 1/16W		IC327			TC7SH08FU-F	MOS-IC	
R874			RK73HB1J000J	CHIP R 0.0 J 1/16W		IC329	1C		BA33DDOWT	MOS-IC	
R875,876			RK73GH2A24R9D	CHIP R 24.9 D 1/10W		IC330			TC7SH126FU-F	MOS-IC	
R877,878			RK73HB1J103J	CHIP R 10K J 1/16W		IC700			62167DV30LL55	SRAM IC	
R879			RK73GB2A000J	CHIP R 0.0 J 1/10W		IC701			RV5C386A	MOS-IC	
R880,881			RK73HB1J104J	CHIP R 100K J 1/16W		IC702		*	29PL127JKCDB	ROM IC	
R883-885			RK73HB1J000J	CHIP R 0.0 J 1/16W		IC703		*	Note 1 (BGA)	MICRO CONTROL UNIT	
R886			RK73HB1J221J	CHIP R 220 J 1/16W		IC704			48LC8M16A2P75I	DRAM IC	
R887			RK73HB1J000J	CHIP R 0.0 J 1/16W		IC705			ADM3202ARUZ	MOS-IC	
R888			RK73HB1J221J	CHIP R 220 J 1/16W		IC707			48LC8M16A2P75I	DRAM IC	
R889			RK73HB1J103J	CHIP R 10K J 1/16W		IC708			BU4829FVE	MOS-IC	
R890			RK73HB1J000J	CHIP R 0.0 J 1/16W		IC709			TC7SH126FU-F	MOS-IC	
R891			RK73HB1J104J	CHIP R 100K J 1/16W		IC710,711			TC7SH00FU-F	MOS-IC	
R892,893			RK73HB1J000J	CHIP R 0.0 J 1/16W		IC712,713			TC7SH32FU-F	MOS-IC	
R894			RK73HB1J103J	CHIP R 10K J 1/16W		IC714-716			TC7MA244FK	MOS-IC	
R895			RK73HB1J151J	CHIP R 150 J 1/16W		IC717,718			TC7MA245FK	MOS-IC	
R896			RK73HB1J101J	CHIP R 100 J 1/16W							
R897			RK73HB1J104J	CHIP R 100K J 1/16W							

## PARTS LIST

CONTROL UNIT (X53-4140-11)  
RX UNIT (X55-3090-XX)

Ref. No.	Address	New parts	Parts No.	Description	Desti-nation	Ref. No.	Address	New parts	Parts No.	Description	Desti-nation
IC719			LAN91C1111-NU	MOS-IC		C55			CC73GCH1H120J	CHIP C 12PF J	
IC720			AT93C4610SU1.8	ROM IC		C56			CC73GCH1H271J	CHIP C 270PF J	
IC721			TC7SH08FU-F	MOS-IC		C58		*	CS77CB21A470M	CHIP TNTL 47UF 10WV	
IC722			TC7SH32FU-F	MOS-IC		C59			CK73GB1H104K	CHIP C 0.10UF K	
IC723			TC7SH00FU-F	MOS-IC		C60,61			CK73GB1H102K	CHIP C 1000PF K	
IC724			TC7SH125FU-F	MOS-IC		C62-66			CK73GB1H104K	CHIP C 0.10UF K	
IC725			TC7SH126FU-F	MOS-IC		C67		*	CS77CB21A470M	CHIP TNTL 47UF 10WV	
IC726			TC7SH08FU-F	MOS-IC		C68			CC73GCH1H101J	CHIP C 100PF J	
IC727,728			TC7SH126FU-F	MOS-IC		C69			CK73GB1H102K	CHIP C 1000PF K	
Q300			2SC4738(GR)F	TRANSISTOR		C70			CS77CC1C330M	CHIP TNTL 33UF 16WV	
Q301			DTC114EUA	DIGITAL TRANSISTOR		C71			CC73GCH1H271J	CHIP C 270PF J	
Q302			2SA1955A-F	TRANSISTOR		C74			CC73GCH1H271J	CHIP C 270PF J	
Q303			DTA144EUA	DIGITAL TRANSISTOR		C75			CS77CC1C330M	CHIP TNTL 33UF 16WV	
Q304,305			2SC4738(GR)F	TRANSISTOR		C76			CC73GCH1H561J	CHIP C 560PF J	
Q307,308			2SC4738(GR)F	TRANSISTOR		C77			CK73GB1H104K	CHIP C 0.10UF K	
Q309			SSM6N16FE-F	FET		C79			CS77BA1E010M	CHIP TNTL 1.0UF 25WV	
Q700			2SC4738(GR)F	TRANSISTOR		C80			CC73GCH1H561J	CHIP C 560PF J	
Q702			2SC4738(GR)F	TRANSISTOR		C81			CK73GB1H104K	CHIP C 0.10UF K	
Q704,705			2SC4738(GR)F	TRANSISTOR		C82			CC73GCH1H271J	CHIP C 270PF J	
Q706			DTC114EUA	DIGITAL TRANSISTOR		C83-85			CK73GB1H102K	CHIP C 1000PF K	
Q707			DTC144EUA	DIGITAL TRANSISTOR		C86			CC73GCH1H271J	CHIP C 270PF J	
BA300			W09-1004-05	LITHIUM CELL		C87			CK73GB1H104K	CHIP C 0.10UF K	
						C88			CK73GB1H103K	CHIP C 0.010UF K	
						C89			CC73GCH1H070B	CHIP C 7.0PF B	K
						C89			CC73GCH1H080B	CHIP C 8.0PF B	K2
<b>RX UNIT (X55-3090-XX) -10 : K -11 : K2</b>											
D21			B30-2230-05	LED (YG)		C90			CK73GB1H103K	CHIP C 0.010UF K	
C10			CK73GB1H102K	CHIP C 1000PF K		C91			CC73GCH1H050B	CHIP C 5.0PF B	
C12			CC73GCH1H060D	CHIP C 6.0PF D	K2	C92			CC73GCH1H070B	CHIP C 7.0PF B	K
C12			CC73GCH1H080D	CHIP C 8.0PF D	K	C92-95			CC73GCH1H070B	CHIP C 7.0PF B	K2
C14			CK73GB1H102K	CHIP C 1000PF K		C93			CC73GCH1H060B	CHIP C 6.0PF B	K
C15			CK73GB1H104K	CHIP C 0.10UF K		C94			CC73GCH1H050B	CHIP C 5.0PF B	K
C17			CK73GB1H102K	CHIP C 1000PF K		C95			CC73GCH1H080B	CHIP C 8.0PF B	K
C18			CK73GB1H104K	CHIP C 0.10UF K		C96			CE32BM1E470M	CHIP EL 47UF 25WV	
C19			CK73GB1H102K	CHIP C 1000PF K		C97			CK73GB1H104K	CHIP C 0.10UF K	
C25			CK73GB1H104K	CHIP C 0.10UF K		C98,99			CK73GB1H102K	CHIP C 1000PF K	
C26			CK73GB1H471K	CHIP C 470PF K		C100			CK73GB1H103K	CHIP C 0.010UF K	
C27			CK73GB1H102K	CHIP C 1000PF K		C102			CK73GB1H102K	CHIP C 1000PF K	
C31			CS77BA1E010M	CHIP TNTL 1.0UF 25WV		C103			CC73GCH1H120J	CHIP C 12PF J	K
C32			CC73GCH1H151J	CHIP C 150PF J		C103			CC73GCH1H150J	CHIP C 15PF J	K2
C33			CC73GCH1H271J	CHIP C 270PF J		C104			CK73GB1H102K	CHIP C 1000PF K	
C35			CK73GB1H471K	CHIP C 470PF K		C105			CC73GCH1H060B	CHIP C 6.0PF B	K
C36			CK73GB1H102K	CHIP C 1000PF K		C105,106			CC73GCH1H050B	CHIP C 5.0PF B	K2
C37			CK73FB1E224K	CHIP C 0.22UF K		C106			CC73GCH1H050B	CHIP C 5.0PF B	K
C38			CS77CA1VR33M	CHIP TNTL 0.33UF 35WV		C107			CC73GCH1H330J	CHIP C 33PF J	
C39			CC73GCH1H271J	CHIP C 270PF J		C108			CC73GCH1H560J	CHIP C 56PF J	
C41,42			CK73GB1H102K	CHIP C 1000PF K		C109,110			CK73GB1H103K	CHIP C 0.010UF K	
C43			CC73GCH1H561J	CHIP C 560PF J		C112			CC73GCH1H220J	CHIP C 22PF J	
C44			CK73GB1H103K	CHIP C 0.010UF K		C113			CC73GCH1H070B	CHIP C 7.0PF B	K
C45			CK73GB1H104K	CHIP C 0.10UF K		C113,114			CC73GCH1H070B	CHIP C 7.0PF B	K2
C46			CC73GCH1H561J	CHIP C 560PF J		C114			CC73GCH1H060B	CHIP C 6.0PF B	K
C47			CK73GB1H102K	CHIP C 1000PF K		C115			CC73GCH1H150J	CHIP C 15PF J	
C48			CK73GB1H104K	CHIP C 0.10UF K		C116			CC73GCH1H560J	CHIP C 56PF J	
C50			CE32BM1E470M	CHIP EL 47UF 25WV		C117			CC73GCH1H121J	CHIP C 120PF J	
C51			CK73GB1H104K	CHIP C 0.10UF K		C118-120			CK73GB1H102K	CHIP C 1000PF K	
C53			CC73GCH1H271J	CHIP C 270PF J		C122			CC73GCH1H150J	CHIP C 15PF J	
C54			CC73GCH1H101J	CHIP C 100PF J		C123			CC73GCH1H080B	CHIP C 8.0PF B	K
						C123,124			CC73GCH1H080B	CHIP C 8.0PF B	K2
						C124			CC73GCH1H070B	CHIP C 7.0PF B	K
						C125			CC73GCH1H150J	CHIP C 15PF J	K
						C125			CC73GCH1H180J	CHIP C 18PF J	K2

## PARTS LIST

### RX UNIT (X55-3090-XX)

Ref. No.	Address	New parts	Parts No.	Description	Destination	Ref. No.	Address	New parts	Parts No.	Description	Destination
C126			CK73GB1H104K	CHIP C 0.10UF K		C223			CK73GB1H103K	CHIP C 0.010UF K	
C128			CC73GCH1H560J	CHIP C 56PF J		C224			CK73GB1H104K	CHIP C 0.10UF K	
C129,130			CK73GB1H103K	CHIP C 0.010UF K		C225			CK73GB1H473K	CHIP C 0.047UF K	
C131			CS77CC1C330M	CHIP TNTL 33UF 16WV		C227			CK73GB1H102K	CHIP C 1000PF K	
C132-134			CK73GB1H102K	CHIP C 1000PF K		C228,229			CK73FB1E474K	CHIP C 0.47UF K	
C137			CC73GCH1H120J	CHIP C 12PF J	K	C230			CC73GCH1H820J	CHIP C 82PF J	
C137			CC73GCH1H150J	CHIP C 15PF J	K2	C231			CK73GB1H473K	CHIP C 0.047UF K	
C138			CC73GCH1H330J	CHIP C 33PF J	K	C232			CC73GCH1H101J	CHIP C 100PF J	K
C138			CC73GCH1H390J	CHIP C 39PF J	K2	C232			CC73GCH1H390J	CHIP C 39PF J	K2
C139			CE32BM1E470M	CHIP EL 47UF 25WV		C233			CK73GB1H473K	CHIP C 0.047UF K	
C140,141			CK73GB1H103K	CHIP C 0.010UF K		C234,235			CC73GCH1H270J	CHIP C 27PF J	
C142,143			CC73FCH1H0R5B	CHIP C 0.5PF B		C236			CK73GB1H104K	CHIP C 0.10UF K	
C144-146			CK73GB1H104K	CHIP C 0.10UF K		C237			CK73GB1H102K	CHIP C 1000PF K	
C147			CS77CC1C330M	CHIP TNTL 33UF 16WV		C239			CE32AU1C330M	CHIP EL 33UF 16WV	
C149,150			CC73GCH1H180J	CHIP C 18PF J		C240			CS77CB21C100M	CHIP TNTL 10UF 16WV	
C151			CC73GCH1H150J	CHIP C 15PF J	K	C241,242			CC73GCH1H150J	CHIP C 15PF J	
C151			CC73GCH1H220J	CHIP C 22PF J	K2	C243			CC73GCH1H820J	CHIP C 82PF J	
C152			CC73GCH1H030C	CHIP C 3.0PF C		C244			CC73GCH1H330J	CHIP C 33PF J	
C153			CC73GCH1H060D	CHIP C 6.0PF D		C245			CK73GB1H102K	CHIP C 1000PF K	
C154,155			CK73GB1H104K	CHIP C 0.10UF K		C248			CK73GB1H102K	CHIP C 1000PF K	
C156			CC73GCH1H150J	CHIP C 15PF J	K	C249			CC73GCH1H150J	CHIP C 15PF J	
C156			CC73GCH1H180J	CHIP C 18PF J	K2	C250,251			CK73GB1H104K	CHIP C 0.10UF K	
C157,158			CK73GB1H102K	CHIP C 1000PF K		C252			CC73GCH1H151J	CHIP C 150PF J	
C159,160			CK73GB1H104K	CHIP C 0.10UF K		C253			CC73GCH1H010C	CHIP C 1.0PF C	
C161			CC73GCH1H030C	CHIP C 3.0PF C		C254			CC73GCH1H030C	CHIP C 3.0PF C	
C162			CC73GCH1H060D	CHIP C 6.0PF D		C255			CK73GB1H104K	CHIP C 0.10UF K	
C164			CK73GB1H104K	CHIP C 0.10UF K		C256			CK73GB1H102K	CHIP C 1000PF K	
C165			CS77CB21C100M	CHIP TNTL 10UF 16WV		C257			CK73GB1H103K	CHIP C 0.010UF K	
C166,167			CC73GCH1H180J	CHIP C 18PF J		C258			CK73GB1H473K	CHIP C 0.047UF K	
C168			CK73GB1H102K	CHIP C 1000PF K		C260			CK73GB1H102K	CHIP C 1000PF K	
C169			CC73GCH1H270J	CHIP C 27PF J		C261			CK73GB1H103K	CHIP C 0.010UF K	
C170,171			CK73GB1H104K	CHIP C 0.10UF K		C262,263			CK73GB1H102K	CHIP C 1000PF K	
C172			CK73GB1H473K	CHIP C 0.047UF K		C264			CS77CA1ER47M	CHIP TNTL 0.47UF 25WV	
C173,174			CK73GB1H103K	CHIP C 0.010UF K		C265			CC73GCH1H470J	CHIP C 47PF J	
C175			CC73GCH1H101J	CHIP C 100PF J		C266,267			CK73GB1H102K	CHIP C 1000PF K	
C176			CK73GB1H104K	CHIP C 0.10UF K		C268,269			CK73GB1H473K	CHIP C 0.047UF K	
C177-179			CK73GB1H102K	CHIP C 1000PF K		C270			CS77CA1DR68M	CHIP TNTL 0.68UF 20WV	
C180			CK73GB1H104K	CHIP C 0.10UF K		C271			CK73GB1H102K	CHIP C 1000PF K	
C183			CE32AU1E100M	CHIP EL 10UF 25WV		C272			CK73GB1H104K	CHIP C 0.10UF K	
C185,186			CK73GB1H102K	CHIP C 1000PF K		C273			CC73GCH1H220J	CHIP C 22PF J	
C187			CC73GCH1H150J	CHIP C 15PF J		C274			CK73GB1H473K	CHIP C 0.047UF K	
C188			CK73GB1H103K	CHIP C 0.010UF K		C277			CK73GB1H102K	CHIP C 1000PF K	
C192			CK73GB1H102K	CHIP C 1000PF K		C278			CC73GCH1H151J	CHIP C 150PF J	
C193			CK73GB1H104K	CHIP C 0.10UF K		C279			CK73GB1H473K	CHIP C 0.047UF K	
C194			CC73GCH1H270J	CHIP C 27PF J		C280			CC73GCH1H080B	CHIP C 8.0PF B	
C195			CK73GB1H102K	CHIP C 1000PF K		C281			CC73GCH1H030B	CHIP C 3.0PF B	
C196,197			CK73GB1H103K	CHIP C 0.010UF K		C282			CS77CB21C150M	CHIP TNTL 15UF 16WV	
C198			CK73GB1H102K	CHIP C 1000PF K		C284			CK73GB1H473K	CHIP C 0.047UF K	
C199			CK73GB1H103K	CHIP C 0.010UF K		C285			CC73GCH1H120J	CHIP C 12PF J	K2
C203,204			CK73GB1H102K	CHIP C 1000PF K		C285			CC73GCH1H470J	CHIP C 47PF J	K
C206			CC73GCH1H150J	CHIP C 15PF J	K	C287			CC73GCH1H390J	CHIP C 39PF J	
C211,212			CK73GB1H103K	CHIP C 0.010UF K		C288,289			CC73GCH1H150J	CHIP C 15PF J	
C213			CK73GB1H473K	CHIP C 0.047UF K		C290,291			CK73GB1H473K	CHIP C 0.047UF K	
C214			CC73GCH1H150J	CHIP C 15PF J		C292			CE32CL1V100M	CHIP EL 10UF 35WV	
C215			CK73GB1H103K	CHIP C 0.010UF K		C293			CC73GCH1H151J	CHIP C 150PF J	
C216			CK73GB1H473K	CHIP C 0.047UF K		C295			CK73GB1H102K	CHIP C 1000PF K	
C217			CK73GB1H104K	CHIP C 0.10UF K		C296			CS77CA1DR68M	CHIP TNTL 0.68UF 20WV	
C218			CK73GB1H473K	CHIP C 0.047UF K		C297			CC73GCH1H151J	CHIP C 150PF J	
C220			CC73GCH1H150J	CHIP C 15PF J		C298			CK73GB1H102K	CHIP C 1000PF K	
C221,222			CK73GB1H104K	CHIP C 0.10UF K		C300			CC73GCH1H220G	CHIP C 22PF G	

## PARTS LIST

RX UNIT (X55-3090-XX)

Ref. No.	Address	New parts	Parts No.	Description	Destination	Ref. No.	Address	New parts	Parts No.	Description	Destination
C301			CK73GB1H473K	CHIP C 0.047UF K		C390			CK73GB1H104K	CHIP C 0.10UF K	
C303,304			CK73GB1H473K	CHIP C 0.047UF K		C391,392			CK73GB1H103K	CHIP C 0.010UF K	
C305			CC73GCH1H151J	CHIP C 150PF J		C394,395			CK73GB1H102K	CHIP C 1000PF K	
C306			CK73GB1H102K	CHIP C 1000PF K		C396-398			CK73GB1H104K	CHIP C 0.10UF K	
C307,308			CK73GB1H103K	CHIP C 0.010UF K		C400			CC73GCH1H220J	CHIP C 22PF J	
C309			CK73GB1H471K	CHIP C 470PF K		C401			CK73GB1H473K	CHIP C 0.047UF K	
C310			CK73GB1H102K	CHIP C 1000PF K		C402			CC73GCH1H560J	CHIP C 56PF J	
C314			CK73GB1H104K	CHIP C 0.10UF K		C403			CK73GB1H104K	CHIP C 0.10UF K	
C315			CC73GCH1H270G	CHIP C 27PF G		C405			CK73GB1H102K	CHIP C 1000PF K	
C316			CK73GB1H473K	CHIP C 0.047UF K		C406			CK73GB1H103K	CHIP C 0.010UF K	
C317			CC73GCH1H151J	CHIP C 150PF J		C407			CC73GCH1H560J	CHIP C 56PF J	
C318,319			CK73GB1H103K	CHIP C 0.010UF K		C408			CC73GCH1H220J	CHIP C 22PF J	
C320			CE32BM1E470M	CHIP EL 47UF 25WV		C409			CK73GB1H102K	CHIP C 1000PF K	
C324			CK73GB1H102K	CHIP C 1000PF K		C410			CK73GB1H104K	CHIP C 0.10UF K	
C325			CC73GCH1H270G	CHIP C 27PF G		C411			CC73GCH1H121J	CHIP C 120PF J	
C326			CC73GCH1H151J	CHIP C 150PF J		C412			CK73GB1H104K	CHIP C 0.10UF K	
C327			CK73GB1H102K	CHIP C 1000PF K		C413			CK73GB1H103K	CHIP C 0.010UF K	
C329			CK73GB1H103K	CHIP C 0.010UF K		C414			CK73GB1H104K	CHIP C 0.10UF K	
C330			CK73GB1H102K	CHIP C 1000PF K		C415,416			CK73GB1H103K	CHIP C 0.010UF K	
C331			CC73GCH1H020B	CHIP C 2.0PF B		C417			CK73GB1H104K	CHIP C 0.10UF K	
C332			CK73GB1H104K	CHIP C 0.10UF K		C418,419			CK73GB1H103K	CHIP C 0.010UF K	
C333			CC73GCH1H151J	CHIP C 150PF J		C420			CK73GB1H102K	CHIP C 1000PF K	
C334,335			CK73GB1H103K	CHIP C 0.010UF K		C421,422			CK73GB1H473K	CHIP C 0.047UF K	
C336			CK73GB1H102K	CHIP C 1000PF K		C423,424			CK73GB1H103K	CHIP C 0.010UF K	
C337			CC73GCH1H560J	CHIP C 56PF J		C425			CK73GB1H104K	CHIP C 0.10UF K	
C340			CS77CC1C330M	CHIP TNL 33UF 16WV		C427			CK73FB1E474K	CHIP C 0.47UF K	
C341,342			CK73GB1H473K	CHIP C 0.047UF K		C428,429			CC73GCH1H560J	CHIP C 56PF J	
C343			CC73GCH1H220J	CHIP C 22PF J		C430			CK73GB1H102K	CHIP C 1000PF K	
C347,348			CK73GB1H103K	CHIP C 0.010UF K		C431			CK73GB1H473K	CHIP C 0.047UF K	
C349			CC73GCH1H121J	CHIP C 120PF J	K	C432			CK73GB1H102K	CHIP C 1000PF K	
C349			CC73GCH1H680J	CHIP C 68PF J	K2	C434,435			CK73GB1H473K	CHIP C 0.047UF K	
C350			CS77CC1C330M	CHIP TNL 33UF 16WV		C437			CK73GB1H102K	CHIP C 1000PF K	
C351			CK73GB1H102K	CHIP C 1000PF K		C438			CK73GB1H473K	CHIP C 0.047UF K	
C352			CK73GB1H473K	CHIP C 0.047UF K		C439			CK73GB1H104K	CHIP C 0.10UF K	
C353			CK73GB1H102K	CHIP C 1000PF K		C440-442			CK73FB1E474K	CHIP C 0.47UF K	
C355			CK73GB1H103K	CHIP C 0.010UF K		C443,444			CK73GB1H473K	CHIP C 0.047UF K	
C356			CK73GB1H473K	CHIP C 0.047UF K		C446			CE32AU1E100M	CHIP EL 10UF 25WV	
C357			CK73GB1H103K	CHIP C 0.010UF K		C447			CK73FB1E474K	CHIP C 0.47UF K	
C358			CK73GB1H473K	CHIP C 0.047UF K		C448			CK73GB1H104K	CHIP C 0.10UF K	
C359-361			CK73GB1H102K	CHIP C 1000PF K		C449			CK73GB1H473K	CHIP C 0.047UF K	
C362			CC73GCH1H270J	CHIP C 27PF J		C450,451			CK73FB1E474K	CHIP C 0.47UF K	
C363			CK73GB1H473K	CHIP C 0.047UF K		C452,453			CK73GB1H104K	CHIP C 0.10UF K	
C365,366			CK73GB1H104K	CHIP C 0.10UF K		C454,455			CK73FB1E474K	CHIP C 0.47UF K	
C367			CC73GCH1H560J	CHIP C 56PF J	K	C456			CK73GB1H473K	CHIP C 0.047UF K	
C367,368			CC73GCH1H330J	CHIP C 33PF J	K2	C458			CK73GB1H104K	CHIP C 0.10UF K	
C368			CC73GCH1H330J	CHIP C 33PF J	K	C459			CC73GCH1H221J	CHIP C 220PF J	
C369,370			CK73FB1E474K	CHIP C 0.47UF K		C460			CK73FB1E474K	CHIP C 0.47UF K	
C371			CK73GB1H102K	CHIP C 1000PF K		C461			CC73GCH1H221J	CHIP C 220PF J	
C372			CK73GB1H473K	CHIP C 0.047UF K		C462			CK73GB1H104K	CHIP C 0.10UF K	
C373			CK73GB1H103K	CHIP C 0.010UF K		C463-465			CK73FB1E474K	CHIP C 0.47UF K	
C375			CK73GB1H103K	CHIP C 0.010UF K		C466			CK73GB1H473K	CHIP C 0.047UF K	
C377			CK73GB1H103K	CHIP C 0.010UF K		C467			CK73GB1H102K	CHIP C 1000PF K	
C379			CC73GCH1H121J	CHIP C 120PF J		C468			CK73GB1H104K	CHIP C 0.10UF K	
C380			CC73GCH1H560J	CHIP C 56PF J		C469			CK73GB1H473K	CHIP C 0.047UF K	
C381			CE32BM1E470M	CHIP EL 47UF 25WV		C470			CK73GB1H471K	CHIP C 470PF K	
C382,383			CK73GB1H104K	CHIP C 0.10UF K		C471,472			CK73GB1H104K	CHIP C 0.10UF K	
C385,386			CK73GB1H104K	CHIP C 0.10UF K		C473			CC73GCH1H270J	CHIP C 27PF J	
C387			CC73GCH1H270J	CHIP C 27PF J		C474			CK73FB1E474K	CHIP C 0.47UF K	
C388			CC73GCH1H820J	CHIP C 82PF J		C476			CE32AU1E100M	CHIP EL 10UF 25WV	
C389			CK73GB1H473K	CHIP C 0.047UF K		C477			CK73GB1H104K	CHIP C 0.10UF K	

## PARTS LIST

### RX UNIT (X55-3090-XX)

Ref. No.	Address	New parts	Parts No.	Description	Destination	Ref. No.	Address	New parts	Parts No.	Description	Destination
C478			CK73FB1E474K	CHIP C 0.47UF K		C584			CK73GB1H103K	CHIP C 0.010UF K	
C480-482			CE32CL1V100M	CHIP EL 10UF 35WV		C585			CC73GCH1H470J	CHIP C 47PF J	
C484-489			CK73GB1H102K	CHIP C 1000PF K		C586			CC73GCH1H100D	CHIP C 10PF D	K2
C491			CK73GB1H104K	CHIP C 0.10UF K		C586			CK73GB1H102K	CHIP C 1000PF K	K
C492			C93-0912-05	CHIP C 100UF M		C587-590			CK73FB1E474K	CHIP C 0.47UF K	
C493			CK73GB1H473K	CHIP C 0.047UF K		C591			CK73GB1H102K	CHIP C 1000PF K	
C494			CK73FB0J106K	CHIP C 10UF K		C618			CC73GCH1H101J	CHIP C 100PF J	
C495			CK73GB1H104K	CHIP C 0.10UF K		C619			CK73GB1H104K	CHIP C 0.10UF K	
C498			CC73GCH1H470J	CHIP C 47PF J		C620			CK73GB1H102K	CHIP C 1000PF K	
C499			CK73FB0J106K	CHIP C 10UF K		C621,622			CK73GB1H104K	CHIP C 0.10UF K	
C500-504			CK73GB1H102K	CHIP C 1000PF K		C624			CC73GCH1H270J	CHIP C 27PF J	K2
C505			CK73FB0J106K	CHIP C 10UF K		C624			CC73GCH1H390J	CHIP C 39PF J	K
C506			CK73GB1H102K	CHIP C 1000PF K		C625,626			CC73GCH1H040B	CHIP C 4.0PF B	K2
C507			CK73GB1H104K	CHIP C 0.10UF K		C625,626			CC73GCH1H050C	CHIP C 5.0PF C	K
C508			CK73FB0J106K	CHIP C 10UF K		C627			CC73GCH1H050B	CHIP C 5.0PF B	K2
C509			CC73GCH1H101J	CHIP C 100PF J		C627			CC73GCH1H060D	CHIP C 6.0PF D	K
C510			CK73GB1H104K	CHIP C 0.10UF K		C628			CC73GCH1H270J	CHIP C 27PF J	K2
C516			CK73GB1H473K	CHIP C 0.047UF K		C628			CC73GCH1H390J	CHIP C 39PF J	K
C517			CK73FB0J106K	CHIP C 10UF K		C629			CC73GCH1H050B	CHIP C 5.0PF B	K2
C518			CK73GB1H104K	CHIP C 0.10UF K		C629			CC73GCH1H060D	CHIP C 6.0PF D	K
C519			CK73GB1H102K	CHIP C 1000PF K		C631,632			CC73GCH1H040B	CHIP C 4.0PF B	K2
C520			CK73GB1H103K	CHIP C 0.010UF K		C631,632			CC73GCH1H050C	CHIP C 5.0PF C	K
C521			CK73GB1H104K	CHIP C 0.10UF K		C633			CC73GCH1H050B	CHIP C 5.0PF B	K2
C522			CK73GB1H103K	CHIP C 0.010UF K		C633			CC73GCH1H060D	CHIP C 6.0PF D	K
C523			CK73GB1H104K	CHIP C 0.10UF K		C634			CC73GCH1H270J	CHIP C 27PF J	K2
C524			CK73FB1H333K	CHIP C 0.033UF K		C634			CC73GCH1H390J	CHIP C 39PF J	K
C527			CK73GB1H104K	CHIP C 0.10UF K		C635			CC73GCH1HR75B	CHIP C 0.75PF B	K2
C532			CK73GB1H104K	CHIP C 0.10UF K		C635-646			CC73GCH1HR75B	CHIP C 0.75PF B	K
C533-536			CE32CL1V100M	CHIP EL 10UF 35WV		C636			CC73GCH1H010B	CHIP C 1.0PF B	K2
C537-540			CK73GB1H102K	CHIP C 1000PF K		C637			CC73GCH1HR75B	CHIP C 0.75PF B	K2
C541,542			CK73GB1H104K	CHIP C 0.10UF K		C638			CC73GCH1H010B	CHIP C 1.0PF B	K2
C543			CK73GB1H473K	CHIP C 0.047UF K		C639			CC73GCH1HR75B	CHIP C 0.75PF B	K2
C544			CC73GCH1H470J	CHIP C 47PF J		C640			CC73GCH1H010B	CHIP C 1.0PF B	K2
C545-548			CK73GB1H102K	CHIP C 1000PF K		C641			CC73GCH1HR75B	CHIP C 0.75PF B	K2
C549			CC73GCH1H470J	CHIP C 47PF J		C642			CC73GCH1H010B	CHIP C 1.0PF B	K2
C550-553			CK73GB1H103K	CHIP C 0.010UF K		C643			CC73GCH1HR75B	CHIP C 0.75PF B	K2
C554			CK73GB1H473K	CHIP C 0.047UF K		C644			CC73GCH1H010B	CHIP C 1.0PF B	K2
C555			CE32BM1V220M	CHIP EL 22UF 35WV		C645			CC73GCH1HR75B	CHIP C 0.75PF B	K2
C556			CK73GB1H102K	CHIP C 1000PF K		C646			CC73GCH1H010B	CHIP C 1.0PF B	K2
C557			CK73GB1H473K	CHIP C 0.047UF K		C647			CK73GB1H102K	CHIP C 1000PF K	
C558			CK73GB1H102K	CHIP C 1000PF K		C648,649			CC73GCH1H120J	CHIP C 12PF J	K
C559			CK73GB1H104K	CHIP C 0.10UF K		C648,649			CC73GCH1H150J	CHIP C 15PF J	K2
C560,561			CK73GB1H102K	CHIP C 1000PF K		C650			CC73GCH1H270J	CHIP C 27PF J	K2
C562			CK73GB1H473K	CHIP C 0.047UF K		C650			CC73GCH1H390J	CHIP C 39PF J	K
C563			CK73GB1H102K	CHIP C 1000PF K		C651			CE32BM1E470M	CHIP EL 47UF 25WV	
C564			CK73GB1H103K	CHIP C 0.010UF K		C652-654			CK73GB1H104K	CHIP C 0.10UF K	
C565			CK73GB1H102K	CHIP C 1000PF K		C655			CK73FB0J106K	CHIP C 10UF K	
C566			CK73GB1H473K	CHIP C 0.047UF K		C657			CC73GCH1H270J	CHIP C 27PF J	K
C567			CE32CL1V100M	CHIP EL 10UF 35WV		C658			CK73FB1E474K	CHIP C 0.47UF K	
C568			CC73GCH1H470J	CHIP C 47PF J		C659			CC73GCH1H050B	CHIP C 5.0PF B	K2
C569			CK73GB1H102K	CHIP C 1000PF K		C659			CC73GCH1H060D	CHIP C 6.0PF D	K
C570			CC73GCH1H470J	CHIP C 47PF J		C660			CC73GCH1H050C	CHIP C 5.0PF C	
C571			C92-0904-05	OS-CON 22UF 35WV		C661			CK73GB1H104K	CHIP C 0.10UF K	
C572,573			CK73GB1H103K	CHIP C 0.010UF K		C662			CC73GCH1H070B	CHIP C 7.0PF B	K
C574-576			CK73GB1H104K	CHIP C 0.10UF K		C662,663			CC73GCH1H080B	CHIP C 8.0PF B	K2
C577			CK73GB1H103K	CHIP C 0.010UF K		C663			CC73GCH1H080B	CHIP C 8.0PF B	K
C578			CC73GCH1H151J	CHIP C 150PF J		C664			CC73GCH1H050B	CHIP C 5.0PF B	K2
C579			CC73GCH1H560J	CHIP C 56PF J		C664			CC73GCH1H060B	CHIP C 6.0PF B	K
C580-582			CK73GB1H103K	CHIP C 0.010UF K		C665			CC73GCH1H080B	CHIP C 8.0PF B	
C583			CK73GB1H102K	CHIP C 1000PF K		C666,667			CK73GB1H102K	CHIP C 1000PF K	



## PARTS LIST

RX UNIT (X55-3090-XX)

Ref. No.	Address	New parts	Parts No.	Description	Destination	Ref. No.	Address	New parts	Parts No.	Description	Destination
C668			CC73GCH1H070B	CHIP C 7.0PF B	K2	L35			L41-3395-33	SMALL FIXED INDUCTOR (3.3UH)	
C668			CC73GCH1H080B	CHIP C 8.0PF B	K	L36			L41-3375-33	SMALL FIXED INDUCTOR (0.033UH)	K
C669			CC73GCH1H070B	CHIP C 7.0PF B	K	L36			L41-3975-33	SMALL FIXED INDUCTOR (0.039UH)	K2
C669			CC73GCH1H080B	CHIP C 8.0PF B	K2	L37			L41-1205-33	SMALL FIXED INDUCTOR (12UH)	
C670			CC73GCH1H050B	CHIP C 5.0PF B	K	L38			L41-1095-33	SMALL FIXED INDUCTOR (1.0UH)	
C670			CC73GCH1H060B	CHIP C 6.0PF B	K2	L39			L41-3375-33	SMALL FIXED INDUCTOR (0.033UH)	K
C671			CK73GB1H104K	CHIP C 0.10UF K		L39			L41-3975-33	SMALL FIXED INDUCTOR (0.039UH)	K2
C673-675			CE32AU1C330M	CHIP EL 33UF 16WV	K2	L40,41			L41-1005-33	SMALL FIXED INDUCTOR (10UH)	
C673-675			CE32BM1E470M	CHIP EL 47UF 25WV	K	L42			L41-3375-33	SMALL FIXED INDUCTOR (0.033UH)	
C676			CC73GCH1H070B	CHIP C 7.0PF B	K2	L43,44			L41-3395-33	SMALL FIXED INDUCTOR (3.3UH)	
C677			CK73GB1H104K	CHIP C 0.10UF K		L45			L41-3375-33	SMALL FIXED INDUCTOR (0.033UH)	
TC1-8			C05-0301-05	CERAMIC TRIMMER CAPACITOR (7PF)		L46,47			L34-4749-05	COIL	
CN1-4			E23-1280-05	TERMINAL		L48			L41-1095-33	SMALL FIXED INDUCTOR (1.0UH)	
CN5			E04-0460-05	RF COAXIAL RECEPTACLE (SMB)		L49			L41-2705-33	SMALL FIXED INDUCTOR (27UH)	
CN6			E41-2735-05	PIN ASSY		L50			L41-1085-33	SMALL FIXED INDUCTOR (0.1UH)	
CN8-35			E23-1280-05	TERMINAL		L51			L92-0140-05	CHIP FERRITE	
CN36			E41-2735-05	PIN ASSY		L52,53			L34-4749-05	COIL	
CN38,39			E23-1280-05	TERMINAL		L54			L41-1075-33	SMALL FIXED INDUCTOR (0.01UH)	
CN41			E04-0154-05	PIN SOCKET		L55			L41-1085-33	SMALL FIXED INDUCTOR (0.1UH)	
CN42			E40-6656-05	PIN ASSY		L56			L41-8295-33	SMALL FIXED INDUCTOR (8.2UH)	
CN43			E04-0193-05	PIN SOCKET		L57			L41-4775-33	SMALL FIXED INDUCTOR (0.047UH)	
CN44			E41-2672-05	PIN ASSY		L58,59			L41-1885-33	SMALL FIXED INDUCTOR (0.18UH)	
CN45			E04-0193-05	PIN SOCKET		L60,61			L41-3375-33	SMALL FIXED INDUCTOR (0.033UH)	
CN46,47			E41-2735-05	PIN ASSY		L62			L41-1075-33	SMALL FIXED INDUCTOR (0.01UH)	
CN61,62			E23-1280-05	TERMINAL		L66,67			L41-8275-33	SMALL FIXED INDUCTOR (0.082UH)	
E1			F10-2379-04	SHIELDING CASE		L68			L41-8295-33	SMALL FIXED INDUCTOR (8.2UH)	
E2			F10-2409-04	SHIELDING CASE		L69			L41-1595-33	SMALL FIXED INDUCTOR (1.5UH)	
E3			F10-3080-04	SHIELDING CASE		L70			L41-3985-33	SMALL FIXED INDUCTOR (0.39UH)	
CF1			L72-1019-05	CERAMIC FILTER		L71			L41-1595-33	SMALL FIXED INDUCTOR (1.5UH)	
CF2		*	L72-1028-05	CERAMIC FILTER		L72			L41-3985-33	SMALL FIXED INDUCTOR (0.39UH)	
CF3,4		*	L72-1027-05	CERAMIC FILTER		L73			L41-2285-33	SMALL FIXED INDUCTOR (0.22UH)	
CF5,6		*	L72-1028-05	CERAMIC FILTER		L74,75			L34-4748-05	COIL	
CF7		*	L72-1027-05	CERAMIC FILTER		L76			L41-3975-33	SMALL FIXED INDUCTOR (0.039UH)	K
L2			L34-4616-05	AIR-CORE COIL		L76			L41-4775-33	SMALL FIXED INDUCTOR (0.047UH)	K2
L5			L41-2275-33	SMALL FIXED INDUCTOR (0.022UH)		L77			L92-0140-05	CHIP FERRITE	
L8,9			L41-1875-33	SMALL FIXED INDUCTOR (0.018UH)		L78			L41-1005-33	SMALL FIXED INDUCTOR (10UH)	
L10			L41-6885-33	SMALL FIXED INDUCTOR (0.68UH)		L79			L41-1095-33	SMALL FIXED INDUCTOR (1.0UH)	
L11			L41-1295-33	SMALL FIXED INDUCTOR (1.2UH)		L80			L41-3975-33	SMALL FIXED INDUCTOR (0.039UH)	K
L12			L41-6875-33	SMALL FIXED INDUCTOR (0.068UH)		L80			L41-4775-33	SMALL FIXED INDUCTOR (0.047UH)	K2
L13			L41-1295-33	SMALL FIXED INDUCTOR (1.2UH)		L81			L41-8285-33	SMALL FIXED INDUCTOR (0.82UH)	
L14			L41-1805-33	SMALL FIXED INDUCTOR (18UH)		L82			L41-1005-33	SMALL FIXED INDUCTOR (10UH)	
L16			L41-2705-33	SMALL FIXED INDUCTOR (27UH)		L83			L41-6895-33	SMALL FIXED INDUCTOR (6.8UH)	
L17,18			L41-1005-33	SMALL FIXED INDUCTOR (10UH)		L86			L41-1585-33	SMALL FIXED INDUCTOR (0.15UH)	
L20			L41-1295-33	SMALL FIXED INDUCTOR (1.2UH)		L87			L41-1005-33	SMALL FIXED INDUCTOR (10UH)	
L21,22			L41-1005-33	SMALL FIXED INDUCTOR (10UH)		L88			L41-8295-33	SMALL FIXED INDUCTOR (8.2UH)	
L23			L41-1295-33	SMALL FIXED INDUCTOR (1.2UH)		L89			L41-3985-33	SMALL FIXED INDUCTOR (0.39UH)	
L24,25			L41-1005-33	SMALL FIXED INDUCTOR (10UH)		L90,91			L34-4748-05	COIL	
L26			L41-1095-33	SMALL FIXED INDUCTOR (1.0UH)		L92			L41-1075-33	SMALL FIXED INDUCTOR (0.01UH)	K2
L27			L41-1005-33	SMALL FIXED INDUCTOR (10UH)		L92			L41-3975-33	SMALL FIXED INDUCTOR (0.039UH)	K
L28			L34-4586-05	AIR-CORE COIL	K	L93			L41-1085-33	SMALL FIXED INDUCTOR (0.1UH)	
L28			L34-4599-05	AIR-CORE COIL	K2	L94,95			L39-1476-05	TOROIDAL COIL	
L29			L41-1005-33	SMALL FIXED INDUCTOR (10UH)		L96			L41-3985-33	SMALL FIXED INDUCTOR (0.39UH)	
L30			L34-4586-05	AIR-CORE COIL		L97			L41-1005-33	SMALL FIXED INDUCTOR (10UH)	
L31			L41-3375-33	SMALL FIXED INDUCTOR (0.033UH)	K	L98,99			L41-1895-33	SMALL FIXED INDUCTOR (1.8UH)	
L31			L41-3975-33	SMALL FIXED INDUCTOR (0.039UH)	K2	L100			L41-3985-33	SMALL FIXED INDUCTOR (0.39UH)	
L32			L41-8275-33	SMALL FIXED INDUCTOR (0.082UH)		L101			L41-1595-33	SMALL FIXED INDUCTOR (1.5UH)	
L33			L41-2785-33	SMALL FIXED INDUCTOR (0.27UH)		L102			L41-1005-33	SMALL FIXED INDUCTOR (10UH)	
L34			L41-1205-33	SMALL FIXED INDUCTOR (12UH)		L103			L41-3985-33	SMALL FIXED INDUCTOR (0.39UH)	
						L106			L41-1585-33	SMALL FIXED INDUCTOR (0.15UH)	
						L107			L41-6895-33	SMALL FIXED INDUCTOR (6.8UH)	

## PARTS LIST

### RX UNIT (X55-3090-XX)

Ref. No.	Address	New parts	Parts No.	Description	Destination	Ref. No.	Address	New parts	Parts No.	Description	Destination
L108,109			L41-4775-33	SMALL FIXED INDUCTOR (0.047UH)		R45			RK73GB2A471J	CHIP R 470 J 1/10W	
L110			L41-1585-33	SMALL FIXED INDUCTOR (0.15UH)		R46			RK73GB2A330J	CHIP R 33 J 1/10W	
L111			L41-1595-33	SMALL FIXED INDUCTOR (1.5UH)		R48			RK73FB2B221J	CHIP R 220 J 1/8W	K
L112,113			L39-1476-05	TOROIDAL COIL		R48			RK73FB2B271J	CHIP R 270 J 1/8W	K2
L114			L41-6875-33	SMALL FIXED INDUCTOR (0.068UH)		R50			RK73FB2B180J	CHIP R 18 J 1/8W	K2
L115			L41-8275-33	SMALL FIXED INDUCTOR (0.082UH)		R50			RK73FB2B220J	CHIP R 22 J 1/8W	K
L116,117			L41-1585-33	SMALL FIXED INDUCTOR (0.15UH)		R52			RK73GB2A100J	CHIP R 10 J 1/10W	
L118			L41-6875-33	SMALL FIXED INDUCTOR (0.068UH)		R53,54			RK73GB2A000J	CHIP R 0.0 J 1/10W	
L119			L41-2285-33	SMALL FIXED INDUCTOR (0.22UH)		R55			RK73FB2B221J	CHIP R 220 J 1/8W	K
L120			L41-8295-33	SMALL FIXED INDUCTOR (8.2UH)		R55			RK73FB2B271J	CHIP R 270 J 1/8W	K2
L121			L41-1595-33	SMALL FIXED INDUCTOR (1.5UH)		R56			RK73GB2A100J	CHIP R 10 J 1/10W	
L122			L41-1585-33	SMALL FIXED INDUCTOR (0.15UH)		R57			RK73GB2A470J	CHIP R 47 J 1/10W	
L123			L41-3395-33	SMALL FIXED INDUCTOR (3.3UH)		R60			RK73GB2A100J	CHIP R 10 J 1/10W	
L124-126			L41-1585-33	SMALL FIXED INDUCTOR (0.15UH)		R61			RK73GB2A470J	CHIP R 47 J 1/10W	
L127			L41-8295-33	SMALL FIXED INDUCTOR (8.2UH)		R62,63			RK73GB2A102J	CHIP R 1.0K J 1/10W	
L128			L34-4725-05	COIL		R64			RK73GB2A000J	CHIP R 0.0 J 1/10W	
L129,130			L41-1005-33	SMALL FIXED INDUCTOR (10UH)		R65			RK73GB2A682J	CHIP R 6.8K J 1/10W	
L131			L41-1585-33	SMALL FIXED INDUCTOR (0.15UH)	K	R66,67			RK73GB2A391J	CHIP R 390 J 1/10W	
L131			L41-5685-33	SMALL FIXED INDUCTOR (0.56UH)	K2	R68			RK73GB2A392J	CHIP R 3.9K J 1/10W	
L132-139			L34-4614-05	AIR-CORE COIL	K	R69-71			RK73GB2A102J	CHIP R 1.0K J 1/10W	
L132-139		*	L34-4615-05	AIR-CORE COIL	K2	R72			RK73GB2A2R2J	CHIP R 2.2 J 1/10W	
L140,141			L41-3985-33	SMALL FIXED INDUCTOR (0.39UH)		R73			RK73GB2A104J	CHIP R 100K J 1/10W	
XF1			L71-0646-15	MCF (49.95MHZ WIDE)		R75,76			RK73GB2A103J	CHIP R 10K J 1/10W	
XF2			L71-0645-15	MCF 49.95MHZ NARROW)		R77,78			RK73FB2B470J	CHIP R 47 J 1/8W	
XF3			L71-0648-05	MCF (49.95MHZ WIDE)		R79			RK73GB2A100J	CHIP R 10 J 1/10W	
XF4			L71-0647-05	MCF (49.95MHZ NARROW)		R80			RK73GB2A271J	CHIP R 270 J 1/10W	
R1			RK73GB2A332J	CHIP R 3.3K J 1/10W		R81			RK73FB2B000J	CHIP R 0.0 J 1/8W	
R2			RK73GB2A182J	CHIP R 1.8K J 1/10W		R82			RK73GB2A102J	CHIP R 1.0K J 1/10W	
R4			RK73FB2B121J	CHIP R 120 J 1/8W		R83,84			RK73GB2A472J	CHIP R 4.7K J 1/10W	
R8			RK73GB2A000J	CHIP R 0.0 J 1/10W	K	R85			RK73GB2A333J	CHIP R 33K J 1/10W	
R8			RK73GB2A220J	CHIP R 22 J 1/10W	K2	R86			RK73GB2A104J	CHIP R 100K J 1/10W	
R9			RK73GB2A332J	CHIP R 3.3K J 1/10W		R88			RK73GB2A103J	CHIP R 10K J 1/10W	
R11,12			RK73GB2A681J	CHIP R 680 J 1/10W		R89			RK73GB2A100J	CHIP R 10 J 1/10W	
R13			RK73GB2A682J	CHIP R 6.8K J 1/10W		R90			RK73GB2A330J	CHIP R 33 J 1/10W	
R14			RK73FB2B100J	CHIP R 10 J 1/8W		R91			RK73GB2A101J	CHIP R 100 J 1/10W	K
R15,16			RK73GB2A000J	CHIP R 0.0 J 1/10W		R91			RK73GB2A102J	CHIP R 1.0K J 1/10W	K2
R17			RK73GB2A181J	CHIP R 180 J 1/10W		R92			RK73GB2A104J	CHIP R 100K J 1/10W	
R19,20			RK73GB2A104J	CHIP R 100K J 1/10W		R93			RK73GB2A105J	CHIP R 1.0M J 1/10W	
R21			RK73GB2A684J	CHIP R 680K J 1/10W		R94			RK73GB2A682J	CHIP R 6.8K J 1/10W	
R22			RK73GB2A474J	CHIP R 470K J 1/10W		R95			RK73GB2A152J	CHIP R 1.5K J 1/10W	
R23			RK73GB2A000J	CHIP R 0.0 J 1/10W		R96			RK73GB2A470J	CHIP R 47 J 1/10W	K2
R24			RK73GB2A100J	CHIP R 10 J 1/10W		R96,97			RK73GB2A100J	CHIP R 10 J 1/10W	K
R26,27			RK73GB2A000J	CHIP R 0.0 J 1/10W		R97			RK73GB2A100J	CHIP R 10 J 1/10W	K2
R28			RK73GB2A100J	CHIP R 10 J 1/10W		R98			RK73GB2A181J	CHIP R 180 J 1/10W	K
R29			RK73GB2A152J	CHIP R 1.5K J 1/10W		R98			RK73GB2A221J	CHIP R 220 J 1/10W	K2
R30			RK73GB2A684J	CHIP R 680K J 1/10W		R99			RK73GB2A331J	CHIP R 330 J 1/10W	
R31			RK73GB2A181J	CHIP R 180 J 1/10W		R100			RK73GB2A000J	CHIP R 0.0 J 1/10W	
R32			RK73GB2A104J	CHIP R 100K J 1/10W		R101			RK73FB2B100J	CHIP R 10 J 1/8W	
R33			RK73GB2A102J	CHIP R 1.0K J 1/10W		R102			RK73GB2A181J	CHIP R 180 J 1/10W	
R34			RK73GB2A471J	CHIP R 470 J 1/10W		R103			RK73GB2A682J	CHIP R 6.8K J 1/10W	K
R36			RK73GB2A103J	CHIP R 10K J 1/10W		R103			RK73GB2A822J	CHIP R 8.2K J 1/10W	K2
R37			RK73GB2A123J	CHIP R 12K J 1/10W		R104,105			RK73GB2A123J	CHIP R 12K J 1/10W	
R38			RK73GB2A101J	CHIP R 100 J 1/10W	K2	R106			RK73GB2A105J	CHIP R 1.0M J 1/10W	
R38			RK73GB2A470J	CHIP R 47 J 1/10W	K	R107,108			RK73GB2A103J	CHIP R 10K J 1/10W	
R39			RK73GB2A000J	CHIP R 0.0 J 1/10W		R110			RK73GB2A332J	CHIP R 3.3K J 1/10W	
R40			RK73GB2A102J	CHIP R 1.0K J 1/10W		R112			RK73GB2A102J	CHIP R 1.0K J 1/10W	
R42-44			RK73GB2A000J	CHIP R 0.0 J 1/10W	K2	R114			RK73GB2A102J	CHIP R 1.0K J 1/10W	
R42,43			RK73GB2A000J	CHIP R 0.0 J 1/10W	K	R115			RK73FB2B220J	CHIP R 22 J 1/8W	
R44			RK73GB2A220J	CHIP R 22 J 1/10W	K	R116			RK73GB2A101J	CHIP R 100 J 1/10W	
						R117,118			RK73FB2B220J	CHIP R 22 J 1/8W	

## PARTS LIST

RX UNIT (X55-3090-XX)

Ref. No.	Address	New parts	Parts No.	Description	Destination	Ref. No.	Address	New parts	Parts No.	Description	Destination
R119,120			RK73GB2A103J	CHIP R 10K J 1/10W		R204			RK73GB2A332J	CHIP R 3.3K J 1/10W	
R122			RK73GB2A101J	CHIP R 100 J 1/10W		R205			RK73GB2A682J	CHIP R 6.8K J 1/10W	
R123			RK73GB2A153J	CHIP R 15K J 1/10W		R206			RK73GB2A152J	CHIP R 1.5K J 1/10W	
R124			RK73GB2A392J	CHIP R 3.9K J 1/10W		R207,208			RK73GB2A470J	CHIP R 47 J 1/10W	
R125			RK73GB2A102J	CHIP R 1.0K J 1/10W		R209			RK73GB2A101J	CHIP R 100 J 1/10W	
R128			RK73GB2A101J	CHIP R 100 J 1/10W		R210			RK73GB2A100J	CHIP R 10 J 1/10W	
R129			RK73GB2A102J	CHIP R 1.0K J 1/10W		R211			RK73GB2A104J	CHIP R 100K J 1/10W	
R130,131			RK73FB2B100J	CHIP R 10 J 1/8W		R212			RK73GB2A100J	CHIP R 10 J 1/10W	
R132			RK73GB2A102J	CHIP R 1.0K J 1/10W		R213,214			RK73GB2A563J	CHIP R 56K J 1/10W	
R133			RK73GB2A153J	CHIP R 15K J 1/10W		R215			RK73GB2A181J	CHIP R 180 J 1/10W	
R134			RK73GB2A104J	CHIP R 100K J 1/10W		R217			RK73GB2A104J	CHIP R 100K J 1/10W	
R135,136			RK73GB2A332J	CHIP R 3.3K J 1/10W		R218,219			RK73GB2A180J	CHIP R 18 J 1/10W	
R137			RK73GB2A101J	CHIP R 100 J 1/10W		R220			RK73GB2A102J	CHIP R 1.0K J 1/10W	
R138,139			RK73GB2A682J	CHIP R 6.8K J 1/10W		R221,222			RK73GB2A471J	CHIP R 470 J 1/10W	
R140,141			RK73GB2A181J	CHIP R 180 J 1/10W		R223			RK73GB2A180J	CHIP R 18 J 1/10W	
R142			RK73FB2B100J	CHIP R 10 J 1/8W		R224			RK73GB2A100J	CHIP R 10 J 1/10W	
R145			RK73GB2A100J	CHIP R 10 J 1/10W		R225			RK73GB2A180J	CHIP R 18 J 1/10W	
R146			RK73GB2A101J	CHIP R 100 J 1/10W		R226			RK73GB2A101J	CHIP R 100 J 1/10W	K2
R147			RK73GB2A271J	CHIP R 270 J 1/10W		R226,227			RK73GB2A101J	CHIP R 100 J 1/10W	K
R149			RK73GB2A821J	CHIP R 820 J 1/10W		R229			RK73GB2A101J	CHIP R 100 J 1/10W	
R150			RK73FB2B101J	CHIP R 100 J 1/8W		R230			RK73GB2A100J	CHIP R 10 J 1/10W	
R151			RK73GB2A000J	CHIP R 0.0 J 1/10W		R231			RK73GB2A680J	CHIP R 68 J 1/10W	
R152			RK73GB2A102J	CHIP R 1.0K J 1/10W		R232			RK73GB2A100J	CHIP R 10 J 1/10W	
R153			RK73GB2A101J	CHIP R 100 J 1/10W		R233			RK73GB2A000J	CHIP R 0.0 J 1/10W	K2
R154			RK73GB2A000J	CHIP R 0.0 J 1/10W		R233			RK73GB2A680J	CHIP R 68 J 1/10W	K
R155			RK73GB2A472J	CHIP R 4.7K J 1/10W		R234			RK73GB2A101J	CHIP R 100 J 1/10W	K2
R156			RK73GB2A680J	CHIP R 68 J 1/10W		R234,235			RK73GB2A101J	CHIP R 100 J 1/10W	K
R157			RK73GB2A151J	CHIP R 150 J 1/10W		R236,237			RK73GB2A180J	CHIP R 18 J 1/10W	
R158			RK73GB2A101J	CHIP R 100 J 1/10W		R238			RK73GB2A181J	CHIP R 180 J 1/10W	
R159			RK73GB2A000J	CHIP R 0.0 J 1/10W		R239			RK73GB2A100J	CHIP R 10 J 1/10W	
R160			RK73GB2A3R3J	CHIP R 3.3 J 1/10W		R240			RK73GB2A471J	CHIP R 470 J 1/10W	
R161			RK73GB2A000J	CHIP R 0.0 J 1/10W		R241			RK73GB2A103J	CHIP R 10K J 1/10W	
R164			RK73GB2A104J	CHIP R 100K J 1/10W		R242,243			RK73GB2A470J	CHIP R 47 J 1/10W	
R165,166			RK73GB2A273J	CHIP R 27K J 1/10W		R244			RK73GB2A682J	CHIP R 6.8K J 1/10W	
R167			RK73GB2A000J	CHIP R 0.0 J 1/10W		R245			RK73GB2A473J	CHIP R 47K J 1/10W	
R169			RK73GB2A103J	CHIP R 10K J 1/10W		R248			RK73GB2A332J	CHIP R 3.3K J 1/10W	
R171			RK73GB2A103J	CHIP R 10K J 1/10W		R249			RK73GB2A222J	CHIP R 2.2K J 1/10W	
R172			RK73GB2A100J	CHIP R 10 J 1/10W		R250			RK73GB2A103J	CHIP R 10K J 1/10W	
R173			RK73GB2A271J	CHIP R 270 J 1/10W		R254,255			RK73GB2A000J	CHIP R 0.0 J 1/10W	
R174,175			RK73GB2A153J	CHIP R 15K J 1/10W		R256			RK73GB2A152J	CHIP R 1.5K J 1/10W	
R176			RK73GB2A100J	CHIP R 10 J 1/10W		R257,258			RK73GB2A000J	CHIP R 0.0 J 1/10W	
R177			RK73GB2A470J	CHIP R 47 J 1/10W		R259			RK73GB2A222J	CHIP R 2.2K J 1/10W	
R178,179			RK73GB2A103J	CHIP R 10K J 1/10W		R260			RK73GB2A103J	CHIP R 10K J 1/10W	
R180			RK73GB2A100J	CHIP R 10 J 1/10W		R261			RK73GB2A123J	CHIP R 12K J 1/10W	
R181			RK73GB2A102J	CHIP R 1.0K J 1/10W		R262			RK73GB2A472J	CHIP R 4.7K J 1/10W	
R183			RK73GB2A102J	CHIP R 1.0K J 1/10W		R263			RK73GB2A183J	CHIP R 18K J 1/10W	
R184			RK73GB2A000J	CHIP R 0.0 J 1/10W		R264			RK73GB2A152J	CHIP R 1.5K J 1/10W	
R185			RK73GB2A100J	CHIP R 10 J 1/10W		R265			RK73GB2A181J	CHIP R 180 J 1/10W	
R186,187			RK73GB2A104J	CHIP R 100K J 1/10W		R266			RK73GB2A332J	CHIP R 3.3K J 1/10W	
R189,190			RK73FB2B101J	CHIP R 100 J 1/8W		R267			RK73GB2A103J	CHIP R 10K J 1/10W	
R191,192			RK73FB2B271J	CHIP R 270 J 1/8W		R268			RK73GB2A154J	CHIP R 150K J 1/10W	
R193			RK73GB2A102J	CHIP R 1.0K J 1/10W		R269			RK73GB2A470J	CHIP R 47 J 1/10W	
R194			RK73GB2A472J	CHIP R 4.7K J 1/10W		R270,271			RK73GB2A103J	CHIP R 10K J 1/10W	
R195			RK73GB2A181J	CHIP R 180 J 1/10W		R272			RK73GB2A104J	CHIP R 100K J 1/10W	
R196,197			RK73FB2B100J	CHIP R 10 J 1/8W		R273			RK73GB2A152J	CHIP R 1.5K J 1/10W	
R198,199			RK73GB2A102J	CHIP R 1.0K J 1/10W		R274			RK73GB2A103J	CHIP R 10K J 1/10W	
R200			RK73GB2A682J	CHIP R 6.8K J 1/10W		R275			RK73GB2A223J	CHIP R 22K J 1/10W	
R201			RK73GB2A330J	CHIP R 33 J 1/10W		R276			RK73GB2A183J	CHIP R 18K J 1/10W	
R202			RK73GB2A2R2J	CHIP R 2.2 J 1/10W		R277			RK73GB2A103J	CHIP R 10K J 1/10W	
R203			RK73GB2A104J	CHIP R 100K J 1/10W		R278,279			RK73GB2A152J	CHIP R 1.5K J 1/10W	

## PARTS LIST

### RX UNIT (X55-3090-XX)

Ref. No.	Address	New parts	Parts No.	Description	Destination	Ref. No.	Address	New parts	Parts No.	Description	Destination
R280,281			RK73GB2A103J	CHIP R 10K J 1/10W		R390			RK73GB2A471J	CHIP R 470 J 1/10W	
R284			RK73GB2A471J	CHIP R 470 J 1/10W		R391,392			RK73GB2A000J	CHIP R 0.0 J 1/10W	
R285			RK73GB2A334J	CHIP R 330K J 1/10W		R395			RK73GB2A101J	CHIP R 100 J 1/10W	
R286			RK73GB2A103J	CHIP R 10K J 1/10W		R400,401			RK73GB2A000J	CHIP R 0.0 J 1/10W	
R287			RK73GB2A273J	CHIP R 27K J 1/10W		R403			RK73GB2A000J	CHIP R 0.0 J 1/10W	
R288			RK73GB2A560J	CHIP R 56 J 1/10W		R405			RK73GB2A153J	CHIP R 15K J 1/10W	
R290			RK73GB2A332J	CHIP R 3.3K J 1/10W		R406			RK73GB2A682J	CHIP R 6.8K J 1/10W	
R291			RK73GB2A122J	CHIP R 1.2K J 1/10W		R417			RK73GB2A000J	CHIP R 0.0 J 1/10W	
R292			RK73GB2A000J	CHIP R 0.0 J 1/10W		R432			RK73GB2A103J	CHIP R 10K J 1/10W	
R293			RK73GB2A183J	CHIP R 18K J 1/10W		R433,434			RK73GB2A151J	CHIP R 150 J 1/10W	K
R294			RK73GB2A273J	CHIP R 27K J 1/10W		R433,434			RK73GB2A331J	CHIP R 330 J 1/10W	K2
R295			RK73GB2A104J	CHIP R 100K J 1/10W		R435			RK73GB2A473J	CHIP R 47K J 1/10W	
R296-298			RK73GB2A473J	CHIP R 47K J 1/10W		R436			RK73GB2A472J	CHIP R 4.7K J 1/10W	
R300			RK73GB2A000J	CHIP R 0.0 J 1/10W		R437			RK73GB2A183J	CHIP R 18K J 1/10W	
R306			RK73GB2A473J	CHIP R 47K J 1/10W		R438			RK73GB2A273J	CHIP R 27K J 1/10W	
R307-310			RK73GB2A000J	CHIP R 0.0 J 1/10W		R450			RK73GB2A000J	CHIP R 0.0 J 1/10W	K
R311			RK73GB2A474J	CHIP R 470K J 1/10W		R451			RK73GB2A000J	CHIP R 0.0 J 1/10W	K2
R317-319			RK73GB2A100J	CHIP R 10 J 1/10W		R455			RK73GB2A104J	CHIP R 100K J 1/10W	
R321			RK73GB2A104J	CHIP R 100K J 1/10W		R456			RK73GB2A101J	CHIP R 100 J 1/10W	
R323			RK73GB2A000J	CHIP R 0.0 J 1/10W		D1,2			HSC119	DIODE	
R324,325			RK73GB2A104J	CHIP R 100K J 1/10W		D3-8			1SV283F	VARIABLE CAPACITANCE DIODE	
R326			RK73GB2A100J	CHIP R 10 J 1/10W		D9,10			JDP4P02U	DIODE	
R328			RK73GB2A000J	CHIP R 0.0 J 1/10W		D11			KV1470-G	VARIABLE CAPACITANCE DIODE	
R330			RK73GB2A104J	CHIP R 100K J 1/10W		D12			1SV283F	VARIABLE CAPACITANCE DIODE	
R332			RK73GB2A101J	CHIP R 100 J 1/10W		D13,14			JDP4P02U	DIODE	
R333			RK73GB2A104J	CHIP R 100K J 1/10W		D15,16			DAN235E	DIODE	
R334			RK73GB2A101J	CHIP R 100 J 1/10W		D17,18			MA3J742	DIODE	
R335			RK73GB2A104J	CHIP R 100K J 1/10W		D19,20			DAN235E	DIODE	
R337			RK73GB2A102J	CHIP R 1.0K J 1/10W		D22,23			1SV283F	VARIABLE CAPACITANCE DIODE	
R338			RK73GB2A472J	CHIP R 4.7K J 1/10W		IC4			TA75S01F-F	MOS-IC	
R340-342			RK73GB2A102J	CHIP R 1.0K J 1/10W		IC5			ADF4111BCP7	MOS-IC	
R343			RK73GB2A104J	CHIP R 100K J 1/10W		IC6			LMC7101BIM5	MOS-IC	
R344			RK73GB2A473J	CHIP R 47K J 1/10W		IC7			AD9835BRUZ	MOS-IC	
R345,346			RK73GB2A472J	CHIP R 4.7K J 1/10W		IC8			NJU6368PF1	MOS-IC	
R347,348			RK73GB2A101J	CHIP R 100 J 1/10W		IC9			UPB1509GV	BI-POLAR IC	
R349			RK73GB2A470J	CHIP R 47 J 1/10W		IC10			TK11230CMCL-G	BI-POLAR IC	
R350,351			RK73GB2A221J	CHIP R 220 J 1/10W		IC11			ADF4111BCP7	MOS-IC	
R352			RK73GB2A473J	CHIP R 47K J 1/10W		IC12			TA31137FNG	MOS-IC	
R353			RK73GB2A470J	CHIP R 47 J 1/10W		IC13			AD607Z	BI-POLAR IC	
R357			RK73GB2A471J	CHIP R 470 J 1/10W		IC14			AD8051ART	ANALOGUE IC	
R358			RK73GB2A100J	CHIP R 10 J 1/10W		IC15,16			NJM78L05UA-ZB	BI-POLAR IC	
R359			RK73GB2A221J	CHIP R 220 J 1/10W		IC17-19		*	NJM78M05DL1A2B	ANALOGUE IC	
R360			RK73GB2A682J	CHIP R 6.8K J 1/10W		IC20			NJM4558E-ZB	ANALOGUE IC	
R361			RK73GB2A332J	CHIP R 3.3K J 1/10W		IC22			XC6204B332M	MOS-IC	
R362			RK73GB2A101J	CHIP R 100 J 1/10W	K2	IC23			BH2220FVM	ANALOGUE IC	
R362			RK73GB2A181J	CHIP R 180 J 1/10W	K	<b>IC24,25</b>	2D		NJM7808FA-ZB	BI-POLAR IC	
R363			RK73GB2A100J	CHIP R 10 J 1/10W		IC26,27			NJM2386ADL3-09	ANALOGUE IC	
R364			RK73GB2A470J	CHIP R 47 J 1/10W		IC28			AD1582	ANALOGUE IC	
R366,367			RK73GB2A000J	CHIP R 0.0 J 1/10W		IC29			NJM2732V	BI-POLAR IC	
R368-370			RK73GB2A103J	CHIP R 10K J 1/10W		IC30			AD7908BRU	MOS-IC	
R371,372			RK73GB2A000J	CHIP R 0.0 J 1/10W		IC31			S24CS02AFJTBG	ROM IC	
R373			RK73GB2A103J	CHIP R 10K J 1/10W		IC32			NJM2732V	BI-POLAR IC	
R375,376			RK73GB2A105J	CHIP R 1.0M J 1/10W		IC33			LMC7101BIM5	MOS-IC	
R377			RK73GB2A000J	CHIP R 0.0 J 1/10W		IC35			LM50BIM3/NOPB	MOS-IC	
R379			RK73GB2A101J	CHIP R 100 J 1/10W		Q1			2SC5337	TRANSISTOR	
R380			RK73GB2A104J	CHIP R 100K J 1/10W		Q2			2SC4116(BL)F	TRANSISTOR	
R381			RK73GB2A223J	CHIP R 22K J 1/10W		Q3			2SC4617(R)	TRANSISTOR	
R382-384			RK73GB2A104J	CHIP R 100K J 1/10W		Q4			2SC4116(BL)F	TRANSISTOR	
R385			RK73GB2A101J	CHIP R 100 J 1/10W		Q5			2SC4617(R)	TRANSISTOR	
R388			RK73GB2A000J	CHIP R 0.0 J 1/10W		Q6			2SC4116(BL)F	TRANSISTOR	

## PARTS LIST

RX UNIT (X55-3090-XX)  
TX UNIT (X56-3110-XX)

Ref. No.	Address	New parts	Parts No.	Description	Desti-nation	Ref. No.	Address	New parts	Parts No.	Description	Desti-nation
Q7,8			2SK508NV(K53)	FET		C135			CC73GCH1H471J	CHIP C 470PF J	
Q9-11			2SC4116(BL)F	TRANSISTOR		C136			CC73GCH1H070B	CHIP C 7.0PF B	K
Q12			2SC4617(R)	TRANSISTOR		C136			CC73GCH1H090B	CHIP C 9.0PF B	K2
Q13			2SA1832F	TRANSISTOR		C137			CK73GB1H103K	CHIP C 0.010UF K	
Q14,15			SSM3K15TE(F)	FET		C138,139			CC73GCH1H020B	CHIP C 2.0PF B	
Q16,17			2SC3356-A(R24)	TRANSISTOR		C140,141			CC73GCH1H471J	CHIP C 470PF J	
Q18-20			RD01MUS1-T113	FET		C142			CC73GCH1H080B	CHIP C 8.0PF B	K
Q21			2SC4725	TRANSISTOR		C142			CC73GCH1H100C	CHIP C 10PF C	K2
Q22			2SC4617(R)	TRANSISTOR		C143			CC73GCH1H090D	CHIP C 9.0PF D	
Q23			2SC3356-A(R24)	TRANSISTOR		C145			CC73GCH1H080B	CHIP C 8.0PF B	K
Q24			2SK508NV(K52)	FET		C145			CC73GCH1H100C	CHIP C 10PF C	K2
Q25			SSM3J01F	FET		C146			CC73GCH1H471J	CHIP C 470PF J	
Q26			SSM3K15TE(F)	FET		C147			CC73GCH1HR75B	CHIP C 0.75PF B	
Q27			2SC4116(BL)F	TRANSISTOR		C148			CC73GCH1H150J	CHIP C 15PF J	
Q28,29			3SK317-E	FET		C149			CK73GB1H103K	CHIP C 0.010UF K	
Q30			2SC4617(R)	TRANSISTOR		C151			CE32CL1V100M	CHIP EL 10UF 35WV	
Q31			SSM3K15TE(F)	FET		C152			CC73GCH1H471J	CHIP C 470PF J	
Q32			SSM3J01F	FET		C153			CC73GCH1H090D	CHIP C 9.0PF D	
Q33			2SC4725	TRANSISTOR		C154			CS77CC1C330M	CHIP TNL 33UF 16WV	
Q34			2SA1832F	TRANSISTOR		C156,157			CC73GCH1H471J	CHIP C 470PF J	
Q35,36			2SC4725	TRANSISTOR		C158			CS77CC1C330M	CHIP TNL 33UF 16WV	
Q37			SSM3K15TE(F)	FET		C160			CC73GCH1H471J	CHIP C 470PF J	
Q38			2SC4725	TRANSISTOR		C161			CE32BM1E470M	CHIP EL 47UF 25WV	
Q39			2SC4617(R)	TRANSISTOR		C162,163			CC73GCH1H471J	CHIP C 470PF J	
Q40			2SC4617(S)	TRANSISTOR		C164			CC73GCH1H470J	CHIP C 47PF J	
Q50,51			SSM3K15TE(F)	FET		C166			CC73GCH1H120J	CHIP C 12PF J	
Q52			2S484	FET		C167			CC73GCH1H100D	CHIP C 10PF D	
Q53			2SC4725	TRANSISTOR		C168			CC73GCH1H120J	CHIP C 12PF J	
Q56			SSM3K15TE(F)	FET		C169,170			CC73GCH1H471J	CHIP C 470PF J	
Q57			DTA144EE	DIGITAL TRANSISTOR		C171			CK73GB1H103K	CHIP C 0.010UF K	
Q58-61			SSM3K15TE(F)	FET		C172-174			CC73GCH1H471J	CHIP C 470PF J	
TH2,3		*	157-103-53007	THERMISTOR	K2	C175			CC73GCH1H100D	CHIP C 10PF D	
A1			W02-1940-05	DBM		C176			CC73GCH1H471J	CHIP C 470PF J	
<b>TX UNIT (X56-3110-XX) -10 : K -11 : K2</b>						C177-180			CK73GB1H104K	CHIP C 0.10UF K	
D202			B30-2230-05	LED (YG)		C181			CC73GCH1H471J	CHIP C 470PF J	
D301			B30-2230-05	LED (YG)		C182			CC73GCH1H270J	CHIP C 27PF J	K2
D920-924			B30-2265-05	LED (BR/PG)		C183			CC73GCH1H020B	CHIP C 2.0PF B	K
D925-932			B30-2171-05	LED (D)		C183			CC73GCH1H030B	CHIP C 3.0PF B	K2
C102			CK73GB1E105K	CHIP C 1.0UF K		C186			CC73GCH1H040B	CHIP C 4.0PF B	K2
C103-105			CC73GCH1H471J	CHIP C 470PF J		C186			CC73GCH1H1R5B	CHIP C 1.5PF B	K
C106,107			CK73GB1H103K	CHIP C 0.010UF K		C187			C93-0912-05	CHIP C 100UF M	
C108			CC73GCH1H471J	CHIP C 470PF J		C188			CC73GCH1H471J	CHIP C 470PF J	
C109			CK73GB1H104K	CHIP C 0.10UF K		C189			CC73GCH1H080B	CHIP C 8.0PF B	K
C110			CC73GCH1H471J	CHIP C 470PF J		C189			CC73GCH1H100C	CHIP C 10PF C	K2
C111,112			CK73GB1H104K	CHIP C 0.10UF K		C190,191			CC73GCH1H020B	CHIP C 2.0PF B	
C113			CC73GCH1H471J	CHIP C 470PF J		C192			CC73GCH1H471J	CHIP C 470PF J	
C114			CK73GB1H104K	CHIP C 0.10UF K		C193,194			CC73GCH1H100C	CHIP C 10PF C	
C115-117			CC73GCH1H471J	CHIP C 470PF J		C195			CC73GCH1HR75B	CHIP C 0.75PF B	
C120			CK73GB1H103K	CHIP C 0.010UF K		C196-198			CC73GCH1H471J	CHIP C 470PF J	
C122			CC73GCH1H471J	CHIP C 470PF J		C201			CC73GCH1H471J	CHIP C 470PF J	
C123			CS77CA1ER47M	CHIP TNL 0.47UF 25WV		C209			CK73GB1H102K	CHIP C 1000PF K	
C126			CC73GCH1H471J	CHIP C 470PF J		C210			CC73GCH1H180J	CHIP C 18PF J	
C132			CC73GCH1H1R5B	CHIP C 1.5PF B	K2	C211			CC73GCH1H100C	CHIP C 10PF C	
C133			CC73GCH1H120J	CHIP C 12PF J	K	C212,213			CK73GB1H102K	CHIP C 1000PF K	
C133			CC73GCH1H180J	CHIP C 18PF J	K2	C214			CC73GCH1H330J	CHIP C 33PF J	
C134			CC73GCH1H020B	CHIP C 2.0PF B	K2	C215			CK73GB1H102K	CHIP C 1000PF K	
						C216			CK73GB1H103K	CHIP C 0.010UF K	
						C217			CC73GCH1H102J	CHIP C 1000PF J	
						C218			CC73GCH1H180J	CHIP C 18PF J	

## PARTS LIST

### TX UNIT (X56-3110-XX)

Ref. No.	Address	New parts	Parts No.	Description	Destination	Ref. No.	Address	New parts	Parts No.	Description	Destination
C219			CK73GB1H102K	CHIP C 1000PF K		C316			CC73GCH1H100D	CHIP C 10PF D	
C220			CK73GB1H104K	CHIP C 0.10UF K		C317			CK73GB1H104K	CHIP C 0.10UF K	
C221			CK73GB1H102K	CHIP C 1000PF K		C318			CE32BM1E470M	CHIP EL 47UF 25WV	
C223			CK73GB1H102K	CHIP C 1000PF K		C319			CK73GB1H104K	CHIP C 0.10UF K	
C224			CK73GB1H473K	CHIP C 0.047UF K		C320			CK73GB1H103K	CHIP C 0.010UF K	
C225,226			CK73GB1H102K	CHIP C 1000PF K		C321			CC73GCH1H471J	CHIP C 470PF J	
C227			CK73GB1H103K	CHIP C 0.010UF K		C323-326			CK73GB1H103K	CHIP C 0.010UF K	
C228			CK73GB1H102K	CHIP C 1000PF K		C327			CC73GCH1H181J	CHIP C 180PF J	
C229			CC73GCH1H020C	CHIP C 2.0PF C		C328,329			C93-0912-05	CHIP C 100UF M	
C230			CC73GCH1H120J	CHIP C 12PF J		C330			CC73GCH1H470J	CHIP C 47PF J	
C231			CK73GB1H103K	CHIP C 0.010UF K		C331			CK73GB1H104K	CHIP C 0.10UF K	
C233			CC73GCH1H010C	CHIP C 1.0PF C		C332			CC73GCH1H331J	CHIP C 330PF J	
C234			CK73GB1H102K	CHIP C 1000PF K		C333			CS77CC1C100M	CHIP TNTL 10UF 16WV	
C235			CK73GB1H103K	CHIP C 0.010UF K		C334			CK73GB1H103K	CHIP C 0.010UF K	
C237			CK73GB1H102K	CHIP C 1000PF K		C335			CK73GB1H102K	CHIP C 1000PF K	
C240			CC73GCH1H221J	CHIP C 220PF J		C336			CC73GCH1H180J	CHIP C 18PF J	
C241			CC73GCH1H820J	CHIP C 82PF J		C337			CK73GB1H103K	CHIP C 0.010UF K	
C242			CC73GCH1H330J	CHIP C 33PF J		C338			CS77CB21A470M	CHIP TNTL 47UF 10WV	
C243,244			CC73GCH1H471J	CHIP C 470PF J		C339			CC73GCH1H221J	CHIP C 220PF J	
C245			CC73GCH1H470J	CHIP C 47PF J		C340			CK73GB1H103K	CHIP C 0.010UF K	
C246,247			CC73GCH1H471J	CHIP C 470PF J		C341			CK73GB1H104K	CHIP C 0.10UF K	
C248			CC73GCH1H151J	CHIP C 150PF J		C342			CS77CB21A470M	CHIP TNTL 47UF 10WV	
C249			CE32CL1V100M	CHIP EL 10UF 35WV		C343,344			CK73GB1H103K	CHIP C 0.010UF K	
C250			CK73GB1H104K	CHIP C 0.10UF K		C345			CK73GB1H104K	CHIP C 0.10UF K	
C251,252			CK73GB1H103K	CHIP C 0.010UF K		C346,347			CK73GB1H103K	CHIP C 0.010UF K	
C253			CE32CL1V100M	CHIP EL 10UF 35WV		C348			CC73GCH1H221J	CHIP C 220PF J	
C254			CK73GB1H104K	CHIP C 0.10UF K		C349,350			CC73GCH1H100D	CHIP C 10PF D	
C255,256			CK73GB1H103K	CHIP C 0.010UF K		C351			CS77CC1C100M	CHIP TNTL 10UF 16WV	
C257-260			CK73GB1H104K	CHIP C 0.10UF K		C352			CC73GCH1H180J	CHIP C 18PF J	
C263			CC73GCH1H390J	CHIP C 39PF J		C353			CK73GB1H103K	CHIP C 0.010UF K	
C265			CC73GCH1H680J	CHIP C 68PF J		C354			CC73GCH1H331J	CHIP C 330PF J	
C267			CC73GCH1H390J	CHIP C 39PF J		C355			CC73GCH1H470J	CHIP C 47PF J	
C269-272			CK73GB1H104K	CHIP C 0.10UF K		C356			CK73GB1H103K	CHIP C 0.010UF K	
C275			CC73GCH1H471J	CHIP C 470PF J		C357			CC73GCH1H181J	CHIP C 180PF J	
C276			CC73GCH1H271J	CHIP C 270PF J		C358			CK73GB1H104K	CHIP C 0.10UF K	
C277			CC73GCH1H471J	CHIP C 470PF J		C359			CC73GCH1H100D	CHIP C 10PF D	
C278			CC73GCH1H391J	CHIP C 390PF J		C360			CK73GB1H103K	CHIP C 0.010UF K	
C279			CC73GCH1H471J	CHIP C 470PF J		C361			CK73GB1H104K	CHIP C 0.10UF K	
C280			CC73GCH1H271J	CHIP C 270PF J		C362			CC73GCH1H471J	CHIP C 470PF J	
C281			CC73GCH1H471J	CHIP C 470PF J		C363,364			CK73GB1H103K	CHIP C 0.010UF K	
C282-285			CK73GB1H104K	CHIP C 0.10UF K		C365			CC73GCH1H471J	CHIP C 470PF J	
C286			CK73GB1H103K	CHIP C 0.010UF K		C366			CC73GCH1H100D	CHIP C 10PF D	
C287			CK73GB1H104K	CHIP C 0.10UF K		C367			CK73GB1H103K	CHIP C 0.010UF K	
C288			CS77CA1C2R2M	CHIP TNTL 2.2UF 16WV		C369,370			CK73GB1H103K	CHIP C 0.010UF K	
C290			CS77CB21A470M	CHIP TNTL 47UF 10WV		C372			CC73GCH1H180J	CHIP C 18PF J	
C292			CS77BA1C4R7M	CHIP TNTL 4.7UF 16WV		C373			CC73GCH1H470J	CHIP C 47PF J	
C301			CS77CA1C2R2M	CHIP TNTL 2.2UF 16WV		C375			CK73GB1H103K	CHIP C 0.010UF K	
C302			CC73GCH1H100D	CHIP C 10PF D		C376			CC73GCH1H471J	CHIP C 470PF J	
C303			CK73GB1H103K	CHIP C 0.010UF K		C378			CK73FB1C105K	CHIP C 1.0UF K	
C304			CC73GCH1H331J	CHIP C 330PF J		C379			CK73GB1H103K	CHIP C 0.010UF K	
C305			CC73GCH1H180J	CHIP C 18PF J		C381			CK73GB1H103K	CHIP C 0.010UF K	
C306			CK73FB0J106K	CHIP C 10UF K		C382			CC73GCH1H221J	CHIP C 220PF J	
C307			CK73GB1H104K	CHIP C 0.10UF K		C383			CC73GCH1H331J	CHIP C 330PF J	
C308			CC73GCH1H471J	CHIP C 470PF J		C384			CC73GCH1H181J	CHIP C 180PF J	
C309			CC73GCH1H331J	CHIP C 330PF J		C386			CE32CL1V100M	CHIP EL 10UF 35WV	
C310			CK73FB0J106K	CHIP C 10UF K		C387			CK73GB1H104K	CHIP C 0.10UF K	
C311			C93-0912-05	CHIP C 100UF M		C388			CC73GCH1H471J	CHIP C 470PF J	
C312			CK73GB1H103K	CHIP C 0.010UF K		C389			CK73GB1H102K	CHIP C 1000PF K	
C313			CC73GCH1H121J	CHIP C 120PF J		C390			CK73GB1H222K	CHIP C 2200PF K	
C314,315			CK73GB1H103K	CHIP C 0.010UF K		C391			C93-0912-05	CHIP C 100UF M	

## PARTS LIST

TX UNIT (X56-3110-XX)

Ref. No.	Address	New parts	Parts No.	Description	Desti-nation	Ref. No.	Address	New parts	Parts No.	Description	Desti-nation
C392,393			CC73GCH1H100D	CHIP C 10PF D		C509,510			CK73GB1H104K	CHIP C 0.10UF K	
C401			CK73GB1H103K	CHIP C 0.010UF K		C511			CC73GCH1H470J	CHIP C 47PF J	
C402,403			CK73GB1H104K	CHIP C 0.10UF K		C512			CC73GCH1H471J	CHIP C 470PF J	
C404			CK73GB1H103K	CHIP C 0.010UF K		C513			CC73GCH1H010C	CHIP C 1.0PF C	
C405			CC73GCH1H471J	CHIP C 470PF J		C514			CC73GCH1H121J	CHIP C 120PF J	
C406-412			CK73GB1H103K	CHIP C 0.010UF K		C515			CC73GCH1H030C	CHIP C 3.0PF C	
C413			CC73GCH1H471J	CHIP C 470PF J		C516,517			CK73GB1H104K	CHIP C 0.10UF K	
C414-416			CK73GB1H103K	CHIP C 0.010UF K		C519			CK73GB1H104K	CHIP C 0.10UF K	
C419			CK73FBOJ106K	CHIP C 10UF K		C520			CC73GCH1H221J	CHIP C 220PF J	
C420			CK73GB1H103K	CHIP C 0.010UF K		C521-527			CK73GB1H104K	CHIP C 0.10UF K	
C422			CK73GB1H103K	CHIP C 0.010UF K		C529-532			CK73GB1H104K	CHIP C 0.10UF K	
C423			CE32BM1E470M	CHIP EL 47UF 25WV		C533			CC73GCH1H471J	CHIP C 470PF J	
C425			CC73GCH1H181J	CHIP C 180PF J		C534-537			CK73GB1H104K	CHIP C 0.10UF K	
C427			CC73GCH1H470J	CHIP C 47PF J		C538			CC73GCH1H471J	CHIP C 470PF J	
C429			CC73GCH1H331J	CHIP C 330PF J		C539			CK73GB1H104K	CHIP C 0.10UF K	
C430			CC73GCH1H180J	CHIP C 18PF J		C541,542			CC73GCH1H100D	CHIP C 10PF D	
C433			CC73GCH1H221J	CHIP C 220PF J		C543-547			CK73GB1H104K	CHIP C 0.10UF K	
C435			CK73GB1H104K	CHIP C 0.10UF K		C548			CC73GCH1H471J	CHIP C 470PF J	
C436			CS77BA1E010M	CHIP TNL 1.0UF 25WV		C549-552			CK73GB1H104K	CHIP C 0.10UF K	
C437			CK73GB1H103K	CHIP C 0.010UF K		C554-556			CK73GB1H104K	CHIP C 0.10UF K	
C439-443			CK73GB1H103K	CHIP C 0.010UF K		C557			CC73GCH1H030C	CHIP C 3.0PF C	
C445			CS77CA1V0R1M	CHIP TNL 0.1UF 35WV		C558,559			CK73GB1H104K	CHIP C 0.10UF K	
C446			CK73FB1E473K	CHIP C 0.047UF K		C562			CK73GB1H104K	CHIP C 0.10UF K	
C447			CK73FBOJ106K	CHIP C 10UF K		C563			CC73GCH1H121J	CHIP C 120PF J	
C448			CK73GB1H104K	CHIP C 0.10UF K		C564			CC73GCH1H470J	CHIP C 47PF J	
C449			CK73GB1H103K	CHIP C 0.010UF K		C565			CK73GB1H104K	CHIP C 0.10UF K	
C451			CK73GB1H104K	CHIP C 0.10UF K		C568			CC73GCH1H221J	CHIP C 220PF J	
C452			CK73FBOJ106K	CHIP C 10UF K		C569			CC73GCH1H471J	CHIP C 470PF J	
C453			CC73GCH1H181J	CHIP C 180PF J		C570			CC73GCH1H010C	CHIP C 1.0PF C	
C454			CC73GCH1H470J	CHIP C 47PF J		C571			CC73GCH1H331J	CHIP C 330PF J	
C455			CK73GB1H103K	CHIP C 0.010UF K		C573,574			CC73GCH1H331J	CHIP C 330PF J	
C456			CC73GCH1H331J	CHIP C 330PF J		C575,576			CC73GCH1H180J	CHIP C 18PF J	
C457			CC73GCH1H181J	CHIP C 180PF J		C577,578			CC73GCH1H331J	CHIP C 330PF J	
C458			CC73GCH1H470J	CHIP C 47PF J		C601-605			CK73GB1H104K	CHIP C 0.10UF K	
C459			CC73GCH1H180J	CHIP C 18PF J		C610			CK73GB1H104K	CHIP C 0.10UF K	
C460			CC73GCH1H331J	CHIP C 330PF J		C612,613			CK73GB1H104K	CHIP C 0.10UF K	
C461			CC73GCH1H221J	CHIP C 220PF J		C614			CC73GCH1H100D	CHIP C 10PF D	
C462			CC73GCH1H180J	CHIP C 18PF J		C616			CC73GCH1H270J	CHIP C 27PF J	
C463			CK73GB1H104K	CHIP C 0.10UF K		C619			CC73GCH1H100D	CHIP C 10PF D	
C464,465			CK73GB1H103K	CHIP C 0.010UF K		C620-623			CK73GB1H104K	CHIP C 0.10UF K	
C466			CC73GCH1H221J	CHIP C 220PF J		C624-627			CC73GCH1H560J	CHIP C 56PF J	
C467			CK73FB1C105K	CHIP C 1.0UF K		C628-631			CK73GB1H104K	CHIP C 0.10UF K	
C468,469			CK73GB1H103K	CHIP C 0.010UF K		C632-634			CK73GB1H103K	CHIP C 0.010UF K	
C470			CK73GB1H104K	CHIP C 0.10UF K		C635,636			CK73GB1H104K	CHIP C 0.10UF K	
C471-482			CK73GB1H103K	CHIP C 0.010UF K		C637			CK73GB1H103K	CHIP C 0.010UF K	
C483-486			CK73GB1H104K	CHIP C 0.10UF K		C638			CC73GCH1H470J	CHIP C 47PF J	
C487			CK73GB1H103K	CHIP C 0.010UF K		C639			CC73GCH1H180J	CHIP C 18PF J	
C488-490			CK73GB1H104K	CHIP C 0.10UF K		C640			CC73GCH1H181J	CHIP C 180PF J	
C491			CC73GCH1H470J	CHIP C 47PF J		C641			CC73GCH1H331J	CHIP C 330PF J	
C492-495			CK73GB1H104K	CHIP C 0.10UF K		C642			CC73GCH1H221J	CHIP C 220PF J	
C496			CC73GCH1H221J	CHIP C 220PF J		C643			CC73GCH1H471J	CHIP C 470PF J	
C497			CK73GB1H104K	CHIP C 0.10UF K		C645			CC73GCH1H471J	CHIP C 470PF J	
C498			CC73GCH1H121J	CHIP C 120PF J		C656,657			CK73GB1H103K	CHIP C 0.010UF K	
C499			CK73GB1H104K	CHIP C 0.10UF K		C658			CK73GB1H104K	CHIP C 0.10UF K	
C500			CC73GCH1H471J	CHIP C 470PF J		C659,660			CK73GB1H103K	CHIP C 0.010UF K	
C501,502			CK73GB1H104K	CHIP C 0.10UF K		C661			CK73FBOJ106K	CHIP C 10UF K	
C503			CC73GCH1H470J	CHIP C 47PF J		C662,663			CK73GB1H104K	CHIP C 0.10UF K	
C504			CC73GCH1H010C	CHIP C 1.0PF C		C703			CK73GB1H104K	CHIP C 0.10UF K	
C505,506			CK73GB1H104K	CHIP C 0.10UF K		C704			CK73FBOJ106K	CHIP C 10UF K	
C507,508			CC73GCH1H331J	CHIP C 330PF J		C707			CK73GB1H102K	CHIP C 1000PF K	

## PARTS LIST

### TX UNIT (X56-3110-XX)

Ref. No.	Address	New parts	Parts No.	Description	Destination	Ref. No.	Address	New parts	Parts No.	Description	Destination
C708			CK73GB1H104K	CHIP C 0.10UF K		C932			CC73GCH1H470J	CHIP C 47PF J	
C709			CE32CL1V100M	CHIP EL 10UF 35WV		C933,934		*	CS77CA1A1R5M	CHIP TNTL 1.5UF 10WV	
C710			CK73GB1H104K	CHIP C 0.10UF K		C935,936			CK73GB1H104K	CHIP C 0.10UF K	
C711			CK73GB1H103K	CHIP C 0.010UF K		C937			CK73GB1H103K	CHIP C 0.010UF K	
C712,713			CC73GCH1H471J	CHIP C 470PF J		C938			CK73FB0J106K	CHIP C 10UF K	
C714			CK73GB1H103K	CHIP C 0.010UF K		C939			CK73GB1H102K	CHIP C 1000PF K	
C715			CE32CL1V100M	CHIP EL 10UF 35WV		C941			CK73GB1H102K	CHIP C 1000PF K	
C716			CK73GB1H103K	CHIP C 0.010UF K		C943			CK73GB1H104K	CHIP C 0.10UF K	
C717,718			CC73GCH1H471J	CHIP C 470PF J		C960-965			CK73GB1H104K	CHIP C 0.10UF K	
C719			CK73GB1H103K	CHIP C 0.010UF K		CN102-121			E23-1280-05	TERMINAL	
C720,721			CE32CL1V100M	CHIP EL 10UF 35WV		CN403			E04-0193-05	PIN SOCKET	
C722			CK73GB1H103K	CHIP C 0.010UF K		CN405,406			E04-0193-05	PIN SOCKET	
C723,724			CC73GCH1H471J	CHIP C 470PF J		CN407			E04-0154-05	PIN SOCKET	
C725			CK73GB1H103K	CHIP C 0.010UF K		CN408			E04-0193-05	PIN SOCKET	
C801-803			CK73GB1H104K	CHIP C 0.10UF K		CN801			E41-2672-05	PIN ASSY	
C804			CC73GCH1H471J	CHIP C 470PF J		CN802			E04-0193-05	PIN SOCKET	
C805			CK73GB1H104K	CHIP C 0.10UF K		CN803			E40-6822-05	FLAT CABLE CONNECTOR	
C806			CE32CL1V100M	CHIP EL 10UF 35WV		CN804-806			E40-6656-05	PIN ASSY	
C807			CK73FB1C105K	CHIP C 1.0UF K		CN807			E41-2671-05	PIN ASSY	
C808,809			CK73GB1H104K	CHIP C 0.10UF K		CN920			E41-1493-05	PIN ASSY	
C810			CC73GCH1H471J	CHIP C 470PF J		CN921			E40-6656-05	PIN ASSY	
C811			CK73GB1H104K	CHIP C 0.10UF K		CN923			E41-1483-05	PIN ASSY	
C812			CK73GB1H103K	CHIP C 0.010UF K		CN960			E41-1493-05	PIN ASSY	
C813			CC73GCH1H471J	CHIP C 470PF J		E100			F10-3081-04	SHIELDING CASE	
C814			CK73GB1H104K	CHIP C 0.10UF K		CF201			L72-1029-05	CERAMIC FILTER	
C816			CE32CL1V100M	CHIP EL 10UF 35WV		CF601			L72-1019-05	CERAMIC FILTER	
C817			CK73GB1H103K	CHIP C 0.010UF K		L105,106			L41-1595-33	SMALL FIXED INDUCTOR (1.5UH)/	
C818			CE32CL1V100M	CHIP EL 10UF 35WV		L108			L34-4871-05	AIR-CORE COIL	
C819			CK73GB1H102K	CHIP C 1000PF K		L109-111			L41-1595-33	SMALL FIXED INDUCTOR (1.5UH)	
C820,821			CK73GB1H104K	CHIP C 0.10UF K		L112,113			L41-2775-33	SMALL FIXED INDUCTOR (0.027UH)	
C822			CK73GB1H103K	CHIP C 0.010UF K		L116-118			L41-2775-33	SMALL FIXED INDUCTOR (0.027UH)	
C823,824			CC73GCH1H471J	CHIP C 470PF J		L119			L41-1575-33	SMALL FIXED INDUCTOR (0.015UH)	
C825			CK73GB1H103K	CHIP C 0.010UF K		L119			L41-1875-33	SMALL FIXED INDUCTOR (0.018UH)	
C826			CC73GCH1H471J	CHIP C 470PF J		L120			L41-2275-33	SMALL FIXED INDUCTOR (0.022UH)	
C827			CK73GB1H103K	CHIP C 0.010UF K		L121-124			L41-1005-33	SMALL FIXED INDUCTOR (10UH)	
C848			C92-0904-05	OS-CON 22UF 35WV		L125,126			L41-1595-33	SMALL FIXED INDUCTOR (1.5UH)	
C850			CK73GB1H103K	CHIP C 0.010UF K		L128			L34-4871-05	AIR-CORE COIL	
C856			CE32AU1E100M	CHIP EL 10UF 25WV		L129-131			L41-1595-33	SMALL FIXED INDUCTOR (1.5UH)	
C857			CK73GB1H103K	CHIP C 0.010UF K		L203			L41-3375-33	SMALL FIXED INDUCTOR (0.033UH)	
C858,859			CC73GCH1H471J	CHIP C 470PF J		L204,205			L41-5675-33	SMALL FIXED INDUCTOR (0.056UH)	
C860			CK73GB1H103K	CHIP C 0.010UF K		L207			L41-1085-33	SMALL FIXED INDUCTOR (0.1UH)	
C871-873			CK73GB1H102K	CHIP C 1000PF K		L208			L41-6875-33	SMALL FIXED INDUCTOR (0.068UH)	
C874			CK73GB1H103K	CHIP C 0.010UF K		L210			L41-1595-33	SMALL FIXED INDUCTOR (1.5UH)	
C875			CK73GB1H104K	CHIP C 0.10UF K		L211			L41-1895-33	SMALL FIXED INDUCTOR (1.8UH)	
C876-878			CC73GCH1H471J	CHIP C 470PF J		L212,213			L41-1005-33	SMALL FIXED INDUCTOR (10UH)	
C879			CE32CL1V100M	CHIP EL 10UF 35WV		L214,215			L41-4705-33	SMALL FIXED INDUCTOR (47UH)	
C882			CC73GCH1H180J	CHIP C 18PF J		L216,217			L41-2295-33	SMALL FIXED INDUCTOR (2.2UH)	
C883			CC73GCH1H330J	CHIP C 33PF J		L218			L41-6885-33	SMALL FIXED INDUCTOR (0.68UH)	
C884			CC73GCH1H180J	CHIP C 18PF J		L219			L41-6895-33	SMALL FIXED INDUCTOR (6.8UH)	
C885			CK73GB1H104K	CHIP C 0.10UF K		L301			L41-3985-33	SMALL FIXED INDUCTOR (0.39UH)	
C886			CC73GCH1H270J	CHIP C 27PF J		L302			L41-1005-33	SMALL FIXED INDUCTOR (10UH)	
C887			CC73GCH1H100D	CHIP C 10PF D		L303			L41-1095-33	SMALL FIXED INDUCTOR (1.0UH)	
C888			CC73GCH1H270J	CHIP C 27PF J		L304			L41-1005-33	SMALL FIXED INDUCTOR (10UH)	
C889			CK73GB1H104K	CHIP C 0.10UF K		L305			L41-3385-33	SMALL FIXED INDUCTOR (0.33UH)	
C894,895			CK73GB1H103K	CHIP C 0.010UF K		L306			L41-1095-33	SMALL FIXED INDUCTOR (1.0UH)	
C896			CC73GCH1H100D	CHIP C 10PF D		L307,308			L41-3985-33	SMALL FIXED INDUCTOR (0.39UH)	
C920-925			CK73GB1H104K	CHIP C 0.10UF K		L309			L41-1095-33	SMALL FIXED INDUCTOR (1.0UH)	
C926			CK73GB1H102K	CHIP C 1000PF K		L310			L41-3385-33	SMALL FIXED INDUCTOR (0.33UH)	
C928,929			CK73GB1H104K	CHIP C 0.10UF K		L311			L41-3985-33	SMALL FIXED INDUCTOR (0.39UH)	
C930,931			CK73GB1E105K	CHIP C 1.0UF K							

K  
K2



## PARTS LIST

TX UNIT (X56-3110-XX)

Ref. No.	Address	New parts	Parts No.	Description	Destination	Ref. No.	Address	New parts	Parts No.	Description	Destination
L312			L41-3385-33	SMALL FIXED INDUCTOR (0.33UH)		R131			RK73GB2A101J	CHIP R 100 J 1/10W	
L313			L41-1095-33	SMALL FIXED INDUCTOR (1.0UH)		R132			RK73GB2A271J	CHIP R 270 J 1/10W	
L314			L41-1005-33	SMALL FIXED INDUCTOR (10UH)		R133			RK73GB2A470J	CHIP R 47 J 1/10W	
L401-403			L41-1095-33	SMALL FIXED INDUCTOR (1.0UH)		R134			RK73GB2A220J	CHIP R 22 J 1/10W	
L404			L41-1005-33	SMALL FIXED INDUCTOR (10UH)		R135			RK73GB2A472J	CHIP R 4.7K J 1/10W	
L405			L41-3385-33	SMALL FIXED INDUCTOR (0.33UH)		R137			RK73GB2A102J	CHIP R 1.0K J 1/10W	
L406			L41-1005-33	SMALL FIXED INDUCTOR (10UH)		R138			RK73GB2A103J	CHIP R 10K J 1/10W	
L407			L41-3985-33	SMALL FIXED INDUCTOR (0.39UH)		R139			RK73GB2A102J	CHIP R 1.0K J 1/10W	
L408			L41-1095-33	SMALL FIXED INDUCTOR (1.0UH)		R141			RK73GB2A101J	CHIP R 100 J 1/10W	
L409,410			L41-3385-33	SMALL FIXED INDUCTOR (0.33UH)		R142			RK73GB2A221J	CHIP R 220 J 1/10W	
L411			L41-3985-33	SMALL FIXED INDUCTOR (0.39UH)		R144,145			RK73GB2A000J	CHIP R 0.0 J 1/10W	
L412			L41-1095-33	SMALL FIXED INDUCTOR (1.0UH)		R146			RK73GB2A121J	CHIP R 120 J 1/10W	
L413			L41-3985-33	SMALL FIXED INDUCTOR (0.39UH)		R147			RK73GB2A470J	CHIP R 47 J 1/10W	
L414,415			L41-1095-33	SMALL FIXED INDUCTOR (1.0UH)		R148			RK73GB2A121J	CHIP R 120 J 1/10W	
L416,417			L41-1005-33	SMALL FIXED INDUCTOR (10UH)		R149			RK73GB2A221J	CHIP R 220 J 1/10W	
L418			L41-5685-33	SMALL FIXED INDUCTOR (0.56UH)		R150			RK73GB2A820J	CHIP R 82 J 1/10W	
L419,420			L41-6885-33	SMALL FIXED INDUCTOR (0.68UH)		R151			RK73GB2A101J	CHIP R 100 J 1/10W	
L421			L41-5685-33	SMALL FIXED INDUCTOR (0.56UH)		R152			RK73GB2A000J	CHIP R 0.0 J 1/10W	
L422			L39-1517-05	TOROIDAL COIL		R153			RK73GB2A271J	CHIP R 270 J 1/10W	
L423			L41-3305-33	SMALL FIXED INDUCTOR (33UH)		R154			RK73GB2A180J	CHIP R 18 J 1/10W	
L424			L39-1517-05	TOROIDAL COIL		R155			RK73GB2A682J	CHIP R 6.8K J 1/10W	
L425			L41-3305-33	SMALL FIXED INDUCTOR (33UH)		R156			RK73GB2A332J	CHIP R 3.3K J 1/10W	
L426,427			L39-1517-05	TOROIDAL COIL		R157			RK73GB2A271J	CHIP R 270 J 1/10W	
L430			L41-5685-33	SMALL FIXED INDUCTOR (0.56UH)		R158			RK73GB2A103J	CHIP R 10K J 1/10W	
L431			L41-6885-33	SMALL FIXED INDUCTOR (0.68UH)		R159-161			RK73GB2A104J	CHIP R 100K J 1/10W	
L433,434			L41-3985-33	SMALL FIXED INDUCTOR (0.39UH)		R164			RK73GB2A104J	CHIP R 100K J 1/10W	
L435			L41-2205-33	SMALL FIXED INDUCTOR (22UH)		R165-168			RK73GB2A102J	CHIP R 1.0K J 1/10W	
L601,602			L41-3305-33	SMALL FIXED INDUCTOR (33UH)		R170			RK73GB2A000J	CHIP R 0.0 J 1/10W	
L603,604			L41-4705-33	SMALL FIXED INDUCTOR (47UH)		R171,172			RK73GB2A470J	CHIP R 47 J 1/10W	
L605			L41-2205-33	SMALL FIXED INDUCTOR (22UH)		R173,174			RK73GB2A102J	CHIP R 1.0K J 1/10W	
L606,607			L41-1205-33	SMALL FIXED INDUCTOR (12UH)		R176			RK73GB2A000J	CHIP R 0.0 J 1/10W	
L608			L41-1005-33	SMALL FIXED INDUCTOR (10UH)		R178			RK73GB2A000J	CHIP R 0.0 J 1/10W	
L609			L92-0140-05	CHIP FERRITE		R179			RK73GB2A224J	CHIP R 220K J 1/10W	
L610			L41-1005-33	SMALL FIXED INDUCTOR (10UH)		R180			RK73GB2A101J	CHIP R 100 J 1/10W	
L611			L92-0140-05	CHIP FERRITE		R181			RK73GB2A104J	CHIP R 100K J 1/10W	
L612			L41-3385-33	SMALL FIXED INDUCTOR (0.33UH)		R182			RK73GB2A101J	CHIP R 100 J 1/10W	
L613			L41-3985-33	SMALL FIXED INDUCTOR (0.39UH)		R183			RK73GB2A271J	CHIP R 270 J 1/10W	
L614			L41-1005-33	SMALL FIXED INDUCTOR (10UH)		R184			RK73GB2A470J	CHIP R 47 J 1/10W	
L801			L41-1095-33	SMALL FIXED INDUCTOR (1.0UH)		R185,186			RK73GB2A103J	CHIP R 10K J 1/10W	
L810,811			L41-5675-33	SMALL FIXED INDUCTOR (0.056UH)		R187,188			RK73GB2A000J	CHIP R 0.0 J 1/10W	
L812			L41-1005-33	SMALL FIXED INDUCTOR (10UH)		R189-191			RK73GB2A103J	CHIP R 10K J 1/10W	
X301			L77-1981-05	VCXO (19.2MHZ)		R202			RK73GB2A000J	CHIP R 0.0 J 1/10W	
X401			L77-1981-05	VCXO (19.2MHZ)		R209			RK73GB2A101J	CHIP R 100 J 1/10W	
X601			L77-3034-05	TCXO (19.2MHZ)		R210			RK73GB2A680J	CHIP R 68 J 1/10W	
CP920			RK74GB1J102J	CHIP-COM 1.0K J 1/16W		R211			RK73GB2A101J	CHIP R 100 J 1/10W	
CP923			RK74GB1J102J	CHIP-COM 1.0K J 1/16W		R212			RK73GB2A562J	CHIP R 5.6K J 1/10W	
CP924			RK75GB1JR00	CHIP-COM 0.00 1/16W		R213			RK73GB2A222J	CHIP R 2.2K J 1/10W	
CP926			RK74GB1J681J	CHIP-COM 680 J 1/16W		R214			RK73GB2A221J	CHIP R 220 J 1/10W	
CP928			RK74GB1J681J	CHIP-COM 680 J 1/16W		R215			RK73GB2A000J	CHIP R 0.0 J 1/10W	
CP961,962			RK74GB1J681J	CHIP-COM 680 J 1/16W		R216			RK73GB2A470J	CHIP R 47 J 1/10W	
CP965,966			RK74GB1J681J	CHIP-COM 680 J 1/16W		R217			RK73GB2A271J	CHIP R 270 J 1/10W	
CP970,971			RK74GB1J681J	CHIP-COM 680 J 1/16W		R218			RK73GB2A180J	CHIP R 18 J 1/10W	
CP973,974			RK74GB1J681J	CHIP-COM 680 J 1/16W		R219			RK73GB2A271J	CHIP R 270 J 1/10W	
R101			RK73GB2A000J	CHIP R 0.0 J 1/10W		R220			RK73GB2A560J	CHIP R 56 J 1/10W	
R118			RK73GB2A000J	CHIP R 0.0 J 1/10W		R221			RK73GB2A103J	CHIP R 10K J 1/10W	
R120			RK73GB2A100J	CHIP R 10 J 1/10W		R222			RK73GB2A000J	CHIP R 0.0 J 1/10W	
R123			RK73GB2A000J	CHIP R 0.0 J 1/10W		R223			RK73GB2A123J	CHIP R 12K J 1/10W	
R124,125			RK73GB2A105J	CHIP R 1.0M J 1/10W		R224			RK73GB2A102J	CHIP R 1.0K J 1/10W	
R129			RK73GB2A101J	CHIP R 100 J 1/10W		R225			RK73GB2A474J	CHIP R 470K J 1/10W	
						R226,227			RK73GB2A000J	CHIP R 0.0 J 1/10W	

## PARTS LIST

### TX UNIT (X56-3110-XX)

Ref. No.	Address	New parts	Parts No.	Description	Destination	Ref. No.	Address	New parts	Parts No.	Description	Destination
R229			RK73GB2A563J	CHIP R 56K J 1/10W		R336			RK73GB2A274J	CHIP R 270K J 1/10W	K2
R230			RK73FB2B4R7J	CHIP R 4.7 J 1/8W		R336			RK73GB2A334J	CHIP R 330K J 1/10W	K
R231,232			RK73GB2A000J	CHIP R 0.0 J 1/10W		R337			RK73GB2A273J	CHIP R 27K J 1/10W	
R233			RK73GB2A104J	CHIP R 100K J 1/10W		R338			RK73GB2A105J	CHIP R 1.0M J 1/10W	
R234,235			RK73GB2A474J	CHIP R 470K J 1/10W		R339			RK73GB2A104J	CHIP R 100K J 1/10W	
R236			RK73GB2A821J	CHIP R 820 J 1/10W		R340			RK73GB2A101J	CHIP R 100 J 1/10W	
R241			RK73GB2A000J	CHIP R 0.0 J 1/10W		R341			RK73GB2A221J	CHIP R 220 J 1/10W	
R242			RK73GB2A474J	CHIP R 470K J 1/10W		R342			RK73GB2A470J	CHIP R 47 J 1/10W	
R243			RK73GB2A392J	CHIP R 3.9K J 1/10W		R343			RK73GB2A000J	CHIP R 0.0 J 1/10W	
R244-246			RK73GB2A102J	CHIP R 1.0K J 1/10W		R344-351			RK73GB2A104J	CHIP R 100K J 1/10W	
R247-249			RK73GB2A104J	CHIP R 100K J 1/10W		R352			RK73GB2A123J	CHIP R 12K J 1/10W	
R250			RK73GB2A473J	CHIP R 47K J 1/10W		R353			RK73GB2A332J	CHIP R 3.3K J 1/10W	
R251			RK73GB2A100J	CHIP R 10 J 1/10W		R355			RK73GB2A221J	CHIP R 220 J 1/10W	
R252			RK73GB2A104J	CHIP R 100K J 1/10W		R356			RK73GB2A100J	CHIP R 10 J 1/10W	
R253			RK73GB2A331J	CHIP R 330 J 1/10W		R357			RK73GB2A101J	CHIP R 100 J 1/10W	
R254			RK73GB2A100J	CHIP R 10 J 1/10W		R358			RK73GB2A105J	CHIP R 1.0M J 1/10W	
R255			RK73GB2A274J	CHIP R 270K J 1/10W		R360			RK73GB2A104J	CHIP R 100K J 1/10W	
R256			RK73GB2A102J	CHIP R 1.0K J 1/10W		R362			RK73GB2A100J	CHIP R 10 J 1/10W	
R257,258			RK73GB2A000J	CHIP R 0.0 J 1/10W		R363			RK73GB2A471J	CHIP R 470 J 1/10W	
R259			RK73GB2A562J	CHIP R 5.6K J 1/10W		R364			RK73GB2A104J	CHIP R 100K J 1/10W	
R260			RK73GB2A331J	CHIP R 330 J 1/10W		R367			RK73GB2A104J	CHIP R 100K J 1/10W	
R261			RK73GB2A562J	CHIP R 5.6K J 1/10W		R368			RK73GB2A822J	CHIP R 8.2K J 1/10W	
R262			RK73GB2A102J	CHIP R 1.0K J 1/10W		R369			RK73GB2A000J	CHIP R 0.0 J 1/10W	
R263			RK73GB2A563J	CHIP R 56K J 1/10W		R370			RK73GB2A182J	CHIP R 1.8K J 1/10W	
R264			RK73GB2A100J	CHIP R 10 J 1/10W		R371			RK73GB2A2R2J	CHIP R 2.2 J 1/10W	
R265			RK73GB2A471J	CHIP R 470 J 1/10W		R374			RK73GB2A000J	CHIP R 0.0 J 1/10W	
R266			RK73GB2A000J	CHIP R 0.0 J 1/10W		R375,376			RK73GB2A563J	CHIP R 56K J 1/10W	
R267			RK73GB2A271J	CHIP R 270 J 1/10W		R377,378			RK73GB2A104J	CHIP R 100K J 1/10W	
R268			RK73GB2A180J	CHIP R 18 J 1/10W		R379			RK73GB2A000J	CHIP R 0.0 J 1/10W	
R269			RK73GB2A271J	CHIP R 270 J 1/10W		R380			RK73GB2A470J	CHIP R 47 J 1/10W	
R270,271			RK73GB2A472J	CHIP R 4.7K J 1/10W		R381			RK73GB2A104J	CHIP R 100K J 1/10W	
R272			RK73GB2A100J	CHIP R 10 J 1/10W		R401			RK73GB2A000J	CHIP R 0.0 J 1/10W	
R274			RK73GB2A331J	CHIP R 330 J 1/10W		R402			RK73GB2A474J	CHIP R 470K J 1/10W	
R276			RK73GB2A000J	CHIP R 0.0 J 1/10W		R403,404			RK73GB2A102J	CHIP R 1.0K J 1/10W	
R301,302			RK73GB2A473J	CHIP R 47K J 1/10W		R406-408			RK73GB2A100J	CHIP R 10 J 1/10W	
R303			RK73GB2A000J	CHIP R 0.0 J 1/10W		R409			RK73GB2A000J	CHIP R 0.0 J 1/10W	
R304			RK73GB2A471J	CHIP R 470 J 1/10W		R410			RK73GB2A331J	CHIP R 330 J 1/10W	
R305			RK73GB2A104J	CHIP R 100K J 1/10W		R411			RK73GB2A000J	CHIP R 0.0 J 1/10W	
R306-309			RK73GB2A102J	CHIP R 1.0K J 1/10W		R412			RK73GB2A331J	CHIP R 330 J 1/10W	
R310,311			RK73GB2A104J	CHIP R 100K J 1/10W		R413			RK73GB2A123J	CHIP R 12K J 1/10W	
R312			RK73GB2A154J	CHIP R 150K J 1/10W		R414			RK73GB2A562J	CHIP R 5.6K J 1/10W	
R313			RK73GB2A2R2J	CHIP R 2.2 J 1/10W		R415			RK73GB2A123J	CHIP R 12K J 1/10W	
R314			RK73GB2A000J	CHIP R 0.0 J 1/10W		R416			RK73GB2A562J	CHIP R 5.6K J 1/10W	
R316			RK73GB2A563J	CHIP R 56K J 1/10W	K2	R417,418			RK73GB2A000J	CHIP R 0.0 J 1/10W	
R316			RK73GB2A683J	CHIP R 68K J 1/10W	K	R422-424			RK73GB2A474J	CHIP R 470K J 1/10W	
R317			RK73GB2A104J	CHIP R 100K J 1/10W		R425			RK73GB2A104J	CHIP R 100K J 1/10W	
R318			RK73GB2A472J	CHIP R 4.7K J 1/10W		R427			RK73GB2A100J	CHIP R 10 J 1/10W	
R319			RK73GB2A104J	CHIP R 100K J 1/10W		R430,431			RK73GB2A100J	CHIP R 10 J 1/10W	
R320			RK73GB2A470J	CHIP R 47 J 1/10W		R433			RK73GB2A102J	CHIP R 1.0K J 1/10W	
R321-323			RK73GB2A100J	CHIP R 10 J 1/10W		R434			RK73GB2A000J	CHIP R 0.0 J 1/10W	
R324			RK73GB2A682J	CHIP R 6.8K J 1/10W		R435			RK73GB2A104J	CHIP R 100K J 1/10W	
R325			RK73GB2A332J	CHIP R 3.3K J 1/10W		R436,437			RK73GB2A102J	CHIP R 1.0K J 1/10W	
R326			RK73GB2A100J	CHIP R 10 J 1/10W		R438			RK73GB2A104J	CHIP R 100K J 1/10W	
R327,328			RK73GB2A000J	CHIP R 0.0 J 1/10W		R439			RK73GB2A2R2J	CHIP R 2.2 J 1/10W	
R329,330			RK73GB2A104J	CHIP R 100K J 1/10W		R440			RK73GB2A103J	CHIP R 10K J 1/10W	
R331,332			RK73GB2A471J	CHIP R 470 J 1/10W		R442			RK73GB2A470J	CHIP R 47 J 1/10W	
R333			RK73GB2A000J	CHIP R 0.0 J 1/10W		R447			RK73GB2A000J	CHIP R 0.0 J 1/10W	
R334			RK73GB2A333J	CHIP R 33K J 1/10W	K2	R452,453			RK73GB2A000J	CHIP R 0.0 J 1/10W	
R334			RK73GB2A473J	CHIP R 47K J 1/10W	K	R454,455			RK73GB2A105J	CHIP R 1.0M J 1/10W	
R335			RK73GB2A223J	CHIP R 22K J 1/10W		R457			RK73GB2A333J	CHIP R 33K J 1/10W	

## PARTS LIST

TX UNIT (X56-3110-XX)

Ref. No.	Address	New parts	Parts No.	Description	Destination	Ref. No.	Address	New parts	Parts No.	Description	Destination
R458			RK73GB2A104J	CHIP R 100K J 1/10W		R533			RK73GB2A104J	CHIP R 100K J 1/10W	
R459			RK73GB2A472J	CHIP R 4.7K J 1/10W		R534			RK73GB2A221J	CHIP R 220 J 1/10W	
R460			RK73GB2A183J	CHIP R 18K J 1/10W		R535			RK73GB2A104J	CHIP R 100K J 1/10W	
R461			RK73GB2A000J	CHIP R 0.0 J 1/10W		R536			RK73GB2A102J	CHIP R 1.0K J 1/10W	
R463			RK73GB2A000J	CHIP R 0.0 J 1/10W		R538			RK73GB2A102J	CHIP R 1.0K J 1/10W	
R464			RK73GB2A221J	CHIP R 220 J 1/10W		R539			RK73GB2A100J	CHIP R 10 J 1/10W	
R465			RK73GB2A000J	CHIP R 0.0 J 1/10W		R540			RK73GB2A474J	CHIP R 470K J 1/10W	
R466			RK73GB2A470J	CHIP R 47 J 1/10W		R541			RK73FB2B1R0J	CHIP R 1.0 J 1/8W	
R469,470			RK73GB2A000J	CHIP R 0.0 J 1/10W		R542			RK73GB2A102J	CHIP R 1.0K J 1/10W	
R471			RK73GB2A102J	CHIP R 1.0K J 1/10W		R543			RK73GB2A220J	CHIP R 22 J 1/10W	
R474			RK73GB2A682J	CHIP R 6.8K J 1/10W		R544			RK73GB2A104J	CHIP R 100K J 1/10W	
R475			RK73GB2A332J	CHIP R 3.3K J 1/10W		R545			RK73GB2A470J	CHIP R 47 J 1/10W	
R476,477			RK73GB2A000J	CHIP R 0.0 J 1/10W		R547			RK73GB2A472J	CHIP R 4.7K J 1/10W	
R478			RK73GB2A153J	CHIP R 15K J 1/10W		R548			RK73GB2A473J	CHIP R 47K J 1/10W	
R479			RK73GB2A2R2J	CHIP R 2.2 J 1/10W		R549			RK73GB2A331J	CHIP R 330 J 1/10W	
R480			RK73GB2A682J	CHIP R 6.8K J 1/10W		R550			RK73GB2A104J	CHIP R 100K J 1/10W	
R481			RK73GB2A182J	CHIP R 1.8K J 1/10W		R551			RK73GB2A473J	CHIP R 47K J 1/10W	
R482			RK73GB2A103J	CHIP R 10K J 1/10W		R552			RK73GB2A104J	CHIP R 100K J 1/10W	
R483			RK73GB2A562J	CHIP R 5.6K J 1/10W		R553			RK73GB2A223J	CHIP R 22K J 1/10W	
R484			RK73GB2A101J	CHIP R 100 J 1/10W		R554			RK73GB2A180J	CHIP R 18 J 1/10W	
R485			RK73GB2A392J	CHIP R 3.9K J 1/10W		R555			RK73GB2A102J	CHIP R 1.0K J 1/10W	
R486			RK73GB2A221J	CHIP R 220 J 1/10W		R556			RK73GB2A122J	CHIP R 1.2K J 1/10W	
R487			RK73GB2A102J	CHIP R 1.0K J 1/10W		R557			RK73GB2A473J	CHIP R 47K J 1/10W	
R488			RK73GB2A822J	CHIP R 8.2K J 1/10W		R558			RK73GB2A331J	CHIP R 330 J 1/10W	
R489			RK73GB2A272J	CHIP R 2.7K J 1/10W		R560			RK73GB2A000J	CHIP R 0.0 J 1/10W	
R490			RK73GB2A470J	CHIP R 47 J 1/10W		R561			RK73GB2A102J	CHIP R 1.0K J 1/10W	
R492			RK73GB2A471J	CHIP R 470 J 1/10W		R562			RK73GB2A104J	CHIP R 100K J 1/10W	
R493			RK73GB2A104J	CHIP R 100K J 1/10W		R563			RK73GB2A473J	CHIP R 47K J 1/10W	
R494			RK73GB2A123J	CHIP R 12K J 1/10W		R564			RK73GB2A223J	CHIP R 22K J 1/10W	
R495			RK73GB2A332J	CHIP R 3.3K J 1/10W		R566			RK73GB2A473J	CHIP R 47K J 1/10W	
R496,497			RK73GB2A100J	CHIP R 10 J 1/10W		R567			RK73GB2A472J	CHIP R 4.7K J 1/10W	
R498			RK73GB2A471J	CHIP R 470 J 1/10W		R568			RK73GB2A224J	CHIP R 220K J 1/10W	
R499			RK73GB2A682J	CHIP R 6.8K J 1/10W		R569			RK73GB2A561J	CHIP R 560 J 1/10W	
R500			RK73GB2A332J	CHIP R 3.3K J 1/10W		R570			RK73GB2A473J	CHIP R 47K J 1/10W	
R501			RK73GB2A221J	CHIP R 220 J 1/10W		R571			RK73GB2A100J	CHIP R 10 J 1/10W	
R502			RK73GB2A000J	CHIP R 0.0 J 1/10W		R573			RK73GB2A104J	CHIP R 100K J 1/10W	
R503			RK73GB2A100J	CHIP R 10 J 1/10W		R575			RK73GB2A472J	CHIP R 4.7K J 1/10W	
R504			RK73GB2A104J	CHIP R 100K J 1/10W		R576			RK73FB2B1R0J	CHIP R 1.0 J 1/8W	
R505			RK73GB2A000J	CHIP R 0.0 J 1/10W		R577			RK73GB2A104J	CHIP R 100K J 1/10W	
R506			RK73GB2A101J	CHIP R 100 J 1/10W		R578			RK73GB2A000J	CHIP R 0.0 J 1/10W	
R507			RK73GB2A100J	CHIP R 10 J 1/10W		R580			RK73GB2A220J	CHIP R 22 J 1/10W	
R508-510			RK73GB2A000J	CHIP R 0.0 J 1/10W		R581			RK73GB2A104J	CHIP R 100K J 1/10W	
R511			RK73GB2A102J	CHIP R 1.0K J 1/10W		R582			RK73GB2A474J	CHIP R 470K J 1/10W	
R512			RK73GB2A181J	CHIP R 180 J 1/10W		R583			RK73GB2A221J	CHIP R 220 J 1/10W	
R513			RK73GB2A471J	CHIP R 470 J 1/10W		R586			RK73GB2A104J	CHIP R 100K J 1/10W	
R514			RK73GB2A100J	CHIP R 10 J 1/10W		R588			RK73GB2A103J	CHIP R 10K J 1/10W	
R515			RK73GB2A470J	CHIP R 47 J 1/10W		R591			RK73FB2B271J	CHIP R 270 J 1/8W	
R518			RK73GB2A104J	CHIP R 100K J 1/10W		R592			RK73GB2A273J	CHIP R 27K J 1/10W	
R519			RK73GB2A124J	CHIP R 120K J 1/10W		R593			RK73FB2B120J	CHIP R 12 J 1/8W	
R521			RK73GB2A223J	CHIP R 22K J 1/10W		R594			RK73FB2B271J	CHIP R 270 J 1/8W	
R522			RK73GB2A822J	CHIP R 8.2K J 1/10W		R595			RK73GB2A102J	CHIP R 1.0K J 1/10W	
R523,524			RK73GB2A221J	CHIP R 220 J 1/10W		R601			RK73GB2A103J	CHIP R 10K J 1/10W	
R525			RK73GB2A471J	CHIP R 470 J 1/10W		R602			RK73GB2A104J	CHIP R 100K J 1/10W	
R526			RK73GB2A473J	CHIP R 47K J 1/10W		R603			RK73GB2A222J	CHIP R 2.2K J 1/10W	
R527			RK73GB2A271J	CHIP R 270 J 1/10W		R604			RK73GB2A473J	CHIP R 47K J 1/10W	
R528			RK73GB2A152J	CHIP R 1.5K J 1/10W		R605			RK73GB2A153J	CHIP R 15K J 1/10W	
R529			RK73GB2A153J	CHIP R 15K J 1/10W		R606			RK73GB2A181J	CHIP R 180 J 1/10W	
R530			RK73GB2A120J	CHIP R 12 J 1/10W		R607			RK73GB2A470J	CHIP R 47 J 1/10W	
R531			RK73GB2A474J	CHIP R 470K J 1/10W		R608			RK73GB2A222J	CHIP R 2.2K J 1/10W	
R532			RK73GB2A271J	CHIP R 270 J 1/10W		R610			RK73GB2A104J	CHIP R 100K J 1/10W	

## PARTS LIST

### TX UNIT (X56-3110-XX)

Ref. No.	Address	New parts	Parts No.	Description	Destination	Ref. No.	Address	New parts	Parts No.	Description	Destination
R611			RK73GB2A100J	CHIP R 10 J 1/10W		R941			RK73GB2A821J	CHIP R 820 J 1/10W	
R612			RK73GB2A471J	CHIP R 470 J 1/10W		R942			RK73GB2A000J	CHIP R 0.0 J 1/10W	
R613			RK73GB2A682J	CHIP R 6.8K J 1/10W		R943			RK73GH2A224D	CHIP R 220K D 1/10W	
R614			RK73GB2A332J	CHIP R 3.3K J 1/10W		R944,945			RK73GB2A102J	CHIP R 1.0K J 1/10W	
R615			RK73GB2A471J	CHIP R 470 J 1/10W		R946			RK73GB2A103J	CHIP R 10K J 1/10W	
R616			RK73GB2A000J	CHIP R 0.0 J 1/10W		R947			RK73GB2A000J	CHIP R 0.0 J 1/10W	
R617			RK73GB2A471J	CHIP R 470 J 1/10W		R948,949			RK73GH2A104D	CHIP R 100K D 1/10W	
R618			RK73GB2A104J	CHIP R 100K J 1/10W		R950			RK73GH2A822D	CHIP R 8.2K D 1/10W	
R619			RK73GB2A100J	CHIP R 10 J 1/10W		R951			RK73GB2A122J	CHIP R 1.2K J 1/10W	
R620			RK73GB2A104J	CHIP R 100K J 1/10W		R960-965			RK73GB2A000J	CHIP R 0.0 J 1/10W	
R621			RK73GB2A471J	CHIP R 470 J 1/10W		R966,967			RK73GB2A681J	CHIP R 680 J 1/10W	
R622			RK73GB2A331J	CHIP R 330 J 1/10W		VR401,402			R32-0754-05	SEMI FIXED VARIABLE RESISTOR (10K)	
R623			RK73GB2A392J	CHIP R 3.9K J 1/10W		S920-925			S70-0502-05	TACT SWITCH	
R624			RK73GB2A474J	CHIP R 470K J 1/10W		D101,102			1SV283F	VARIABLE CAPACITANCE DIODE	
R625			RK73GB2A000J	CHIP R 0.0 J 1/10W		D106			1SV278F	VARIABLE CAPACITANCE DIODE	
R626-628			RK73GB2A102J	CHIP R 1.0K J 1/10W		D107,108			1SV283F	VARIABLE CAPACITANCE DIODE	
R629			RK73GB2A101J	CHIP R 100 J 1/10W		D112			1SV278F	VARIABLE CAPACITANCE DIODE	
R630			RK73GB2A102J	CHIP R 1.0K J 1/10W		D201			HSM88AS-E	DIODE	
R631			RK73GB2A561J	CHIP R 560 J 1/10W		D401-403			HSM88AS-E	DIODE	
R637,638			RK73GB2A472J	CHIP R 4.7K J 1/10W		D404,405			JDP4P02U	DIODE	
R639,640			RK73GH2A104D	CHIP R 100K D 1/10W		D406,407			HSC119	DIODE	
R705			RK73GB2A2R2J	CHIP R 2.2 J 1/10W		D408			HSM88AS-E	DIODE	
R706-708			RK73GB2A100J	CHIP R 10 J 1/10W		D409			CSA70-401L	SURGE ABSORBER	
R709			RK73GB2A474J	CHIP R 470K J 1/10W		D601,602			JDP4P02U	DIODE	
R711			RK73GB2A104J	CHIP R 100K J 1/10W		D603-606			UDZS3.0B	ZENER DIODE	
R712,713			RK73GB2A472J	CHIP R 4.7K J 1/10W		D933,934			HSM88AS-E	DIODE	
R714			RK73GB2A104J	CHIP R 100K J 1/10W		D935,936			1SS355	DIODE	
R715			RK73GB2A474J	CHIP R 470K J 1/10W		D960,961			PSA0511EWA-FG1	LED	
R716-718			RK73GB2A100J	CHIP R 10 J 1/10W		IC101			LMX2352TMX/NP	ANALOGUE IC	
R719,720			RK73GB2A104J	CHIP R 100K J 1/10W		IC102			LMC7101BIM5	MOS-IC	
R721			RK73GB2A100J	CHIP R 10 J 1/10W		IC104			NJM2386ADL3-09	ANALOGUE IC	
R722			RK73GB2A474J	CHIP R 470K J 1/10W		IC201			NJM2904E-ZB	ANALOGUE IC	
R801			RK73GB2A102J	CHIP R 1.0K J 1/10W		IC202			AD9835BRUZ	MOS-IC	
R802,803			RK73GB2A104J	CHIP R 100K J 1/10W		IC301			NJM2732V	BI-POLAR IC	
R804-807			RK73GB2A100J	CHIP R 10 J 1/10W		IC302			NJU6368PF1	MOS-IC	
R812-824			RK73GB2A000J	CHIP R 0.0 J 1/10W		IC303			ADF4001BRUZ	MOS-IC	
R830-837			RK73GB2A000J	CHIP R 0.0 J 1/10W		IC304			M62364FP-F	MOS-IC	
R840			RK73GB2A000J	CHIP R 0.0 J 1/10W		IC305			NJM2732V	BI-POLAR IC	
R845			RK73GB2A000J	CHIP R 0.0 J 1/10W		IC306			LMC7101BIM5	MOS-IC	
R855			RK73GB2A560J	CHIP R 56 J 1/10W		IC307			NJU6368PF1	MOS-IC	
R856			RK73GB2A220J	CHIP R 22 J 1/10W		IC308			NJM2732V	BI-POLAR IC	
R865			RK73GB2A104J	CHIP R 100K J 1/10W		IC401			LMC7101BIM5	MOS-IC	
R866,867			RK73GB2A000J	CHIP R 0.0 J 1/10W		IC404			ADF4001BRUZ	MOS-IC	
R869			RK73GB2A104J	CHIP R 100K J 1/10W		IC405,406			TC75S59F-F	MOS-IC	
R870			RK73GB2A101J	CHIP R 100 J 1/10W		IC407			NJU6368PF1	MOS-IC	
R871,872			RK73GB2A104J	CHIP R 100K J 1/10W		IC408,409			TA75S01F-F	MOS-IC	
R873			RK73GB2A103J	CHIP R 10K J 1/10W		IC601			AD9835BRUZ	MOS-IC	
R877			RK73GB2A104J	CHIP R 100K J 1/10W		IC602			NJU6368PF1	MOS-IC	
R878			RK73GB2A000J	CHIP R 0.0 J 1/10W		IC603			XC6204B332M	MOS-IC	
R879			RK73GB2A104J	CHIP R 100K J 1/10W		IC701			BH2220FVM	ANALOGUE IC	
R881			RK73GB2A000J	CHIP R 0.0 J 1/10W	K	IC702			S24CS02AFJTBG	ROM IC	
R882			RK73GB2A000J	CHIP R 0.0 J 1/10W	K2	IC703			BU4094BCFV	MOS-IC	
R887-889			RK73GB2A102J	CHIP R 1.0K J 1/10W		IC704		*	NJM78M08DL1AZB	ANALOGUE IC	
R891			RK73GB2A102J	CHIP R 1.0K J 1/10W		IC705,706			NJM78M05DL1AZB	ANALOGUE IC	
R920-932			RK73GB2A000J	CHIP R 0.0 J 1/10W		IC801			AD1582	ANALOGUE IC	
R933			RK73GB2A821J	CHIP R 820 J 1/10W		IC802			AD5312BRM	MOS-IC	
R934,935			RK73GB2A000J	CHIP R 0.0 J 1/10W		IC803			AD7908BRU	MOS-IC	
R936,937			RK73GB2A122J	CHIP R 1.2K J 1/10W		IC804			LM50BIM3/NOPB	MOS-IC	
R938,939			RK73GB2A821J	CHIP R 820 J 1/10W							
R940			RK73GB2A122J	CHIP R 1.2K J 1/10W							

## PARTS LIST

TX UNIT (X56-3110-XX)

Ref. No.	Address	New parts	Parts No.	Description	Destination	Ref. No.	Address	New parts	Parts No.	Description	Destination
IC805,806	1B		TC7SET126FU-F	MOS-IC							
IC807			NJM78M05DL1AZB	ANALOGUE IC							
IC808,809				NJM7808FA-ZB	BI-POLAR IC						
IC810				TK11230CMCL-G	BI-POLAR IC						
IC811				PE3511-52	MOS-IC						
IC920-922				TC7SET126FU-F	MOS-IC						
IC923-925				BU4094BCFV	MOS-IC						
IC926				NJM2732V	BI-POLAR IC						
IC960-963				BU4094BCFV	MOS-IC						
Q101				SSM3K15TE(F)	FET						
Q102,103				2SK508NV(K52)	FET						
Q104				2SC3356-A(R24)	TRANSISTOR						
Q105				2SC4116(BL)F	TRANSISTOR						
Q106				2SC3356-A(R24)	TRANSISTOR						
Q107,108				2SC4116(BL)F	TRANSISTOR						
Q109				2SA1832F	TRANSISTOR						
Q110				SSM3K15TE(F)	FET						
Q202				2SC5337	TRANSISTOR						
Q203			RD01MUS1-T113	FET							
Q204			SSM3K15TE(F)	FET							
Q205			SSM3J01F	FET							
Q206			SSM3K15TE(F)	FET							
Q210			SSM3K15TE(F)	FET							
Q211-213			2SC4617(R)	TRANSISTOR							
Q301,302			SSM3K15TE(F)	FET							
Q303			2SA1832F	TRANSISTOR							
Q304,305			2SC4617(R)	TRANSISTOR							
Q307			2SC4617(R)	TRANSISTOR							
Q401,402			2SC4617(R)	TRANSISTOR							
Q405			SSM3K15TE(F)	FET							
Q407-409			SSM3K15TE(F)	FET							
Q410			2SA1832F	TRANSISTOR							
Q412			2SC4617(R)	TRANSISTOR							
Q413,414			SSM3K15TE(F)	FET							
Q415-419			2SC4617(R)	TRANSISTOR							
Q420			3SK317-E	FET							
Q421			SSM6L05FU-F	FET							
Q422			RD01MUS1-T113	FET							
Q423			SSM6L05FU-F	FET							
Q424			SSM3K15TE(F)	FET							
Q425			RD01MUS1-T113	FET							
Q426			SSM3J01F	FET							
Q428,429			SSM3K15TE(F)	FET							
Q430,431			3SK317-E	FET							
Q601			SSM3J01F	FET							
Q602			SSM3K15TE(F)	FET							
Q603			2SC4617(R)	TRANSISTOR							
Q604			SSM3K15TE(F)	FET							
Q605			SSM3J01F	FET							
Q606			2SC4617(R)	TRANSISTOR							
Q607-609			SSM3K15TE(F)	FET							
Q701,702			SSM3K15TE(F)	FET							
Q920-930			UMG1N	TRANSISTOR							
Q931			2SC4116(Y)F	TRANSISTOR							
Q932			2SA1586(Y)F	TRANSISTOR							
Q960-976			UMG1N	TRANSISTOR							
TH101,102			157-302-65801	THERMISTOR							

**If a part reference number is listed in a shaded box, that part does not come with the PCB.**

# NXR-700

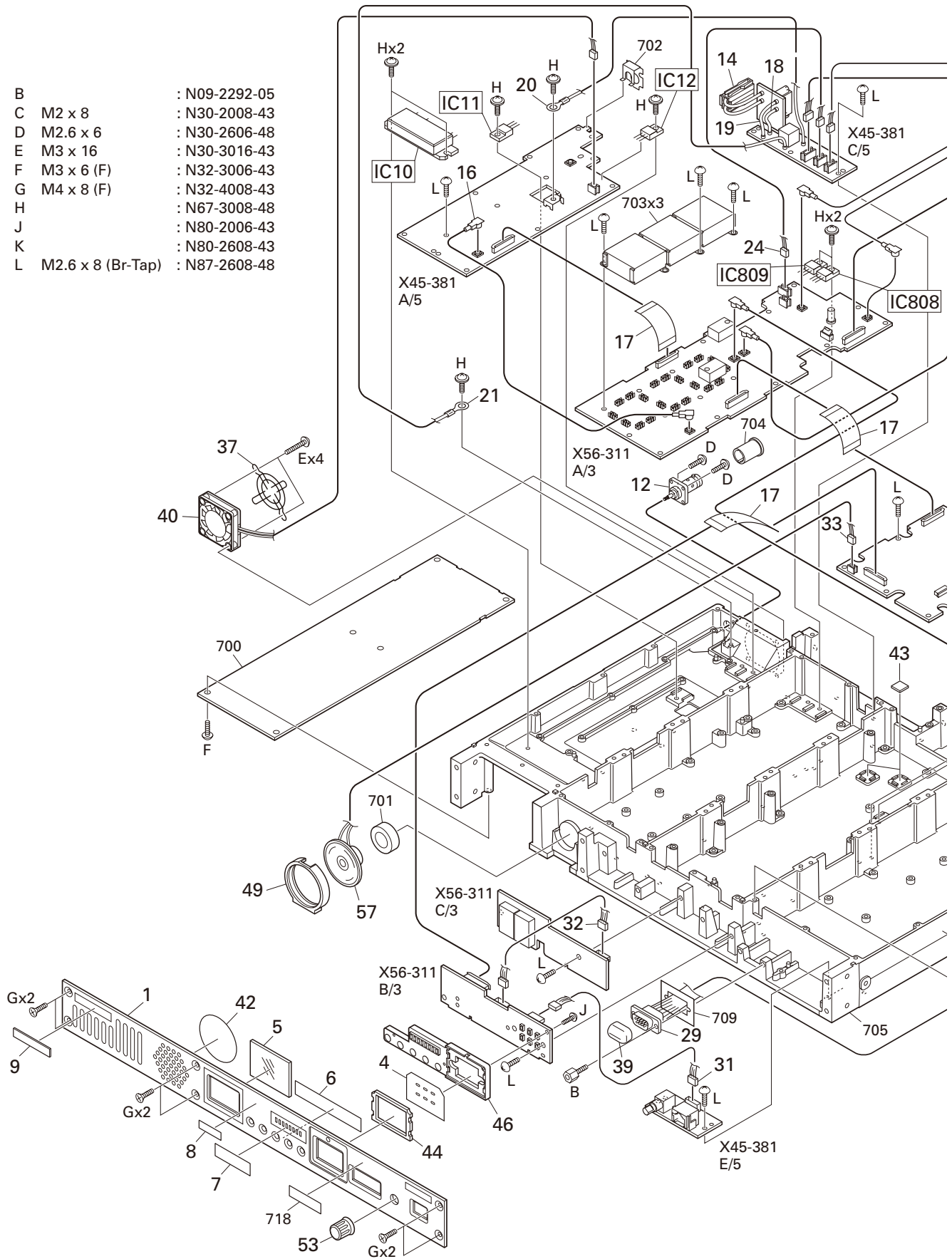
## EXPLODED VIEW

B	:	N09-2292-05
C	M2 x 8	: N30-2008-43
D	M2.6 x 6	: N30-2606-48
E	M3 x 16	: N30-3016-43
F	M3 x 6 (F)	: N32-3006-43
G	M4 x 8 (F)	: N32-4008-43
H	:	N67-3008-48
J	:	N80-2006-43
K	:	N80-2608-43
L	M2.6 x 8 (Br-Tap)	: N87-2608-48

1

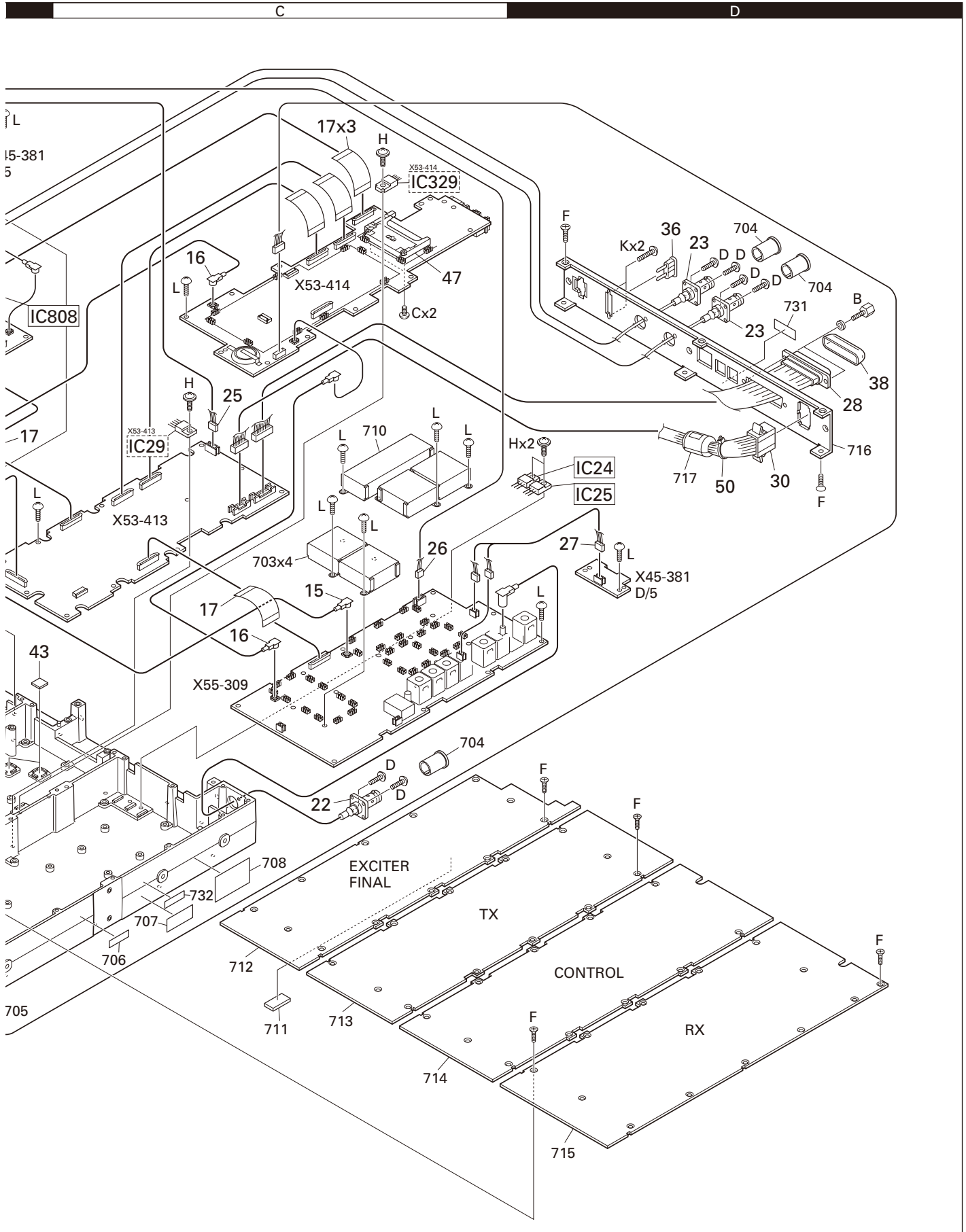
2

3



**38** Parts with the exploded numbers larger than 700 are not supplied.  
 If a part reference number is listed in a box on the exploded view of the PCB (for example, IC123), that part does not come with the PCB. These parts must be ordered separately.

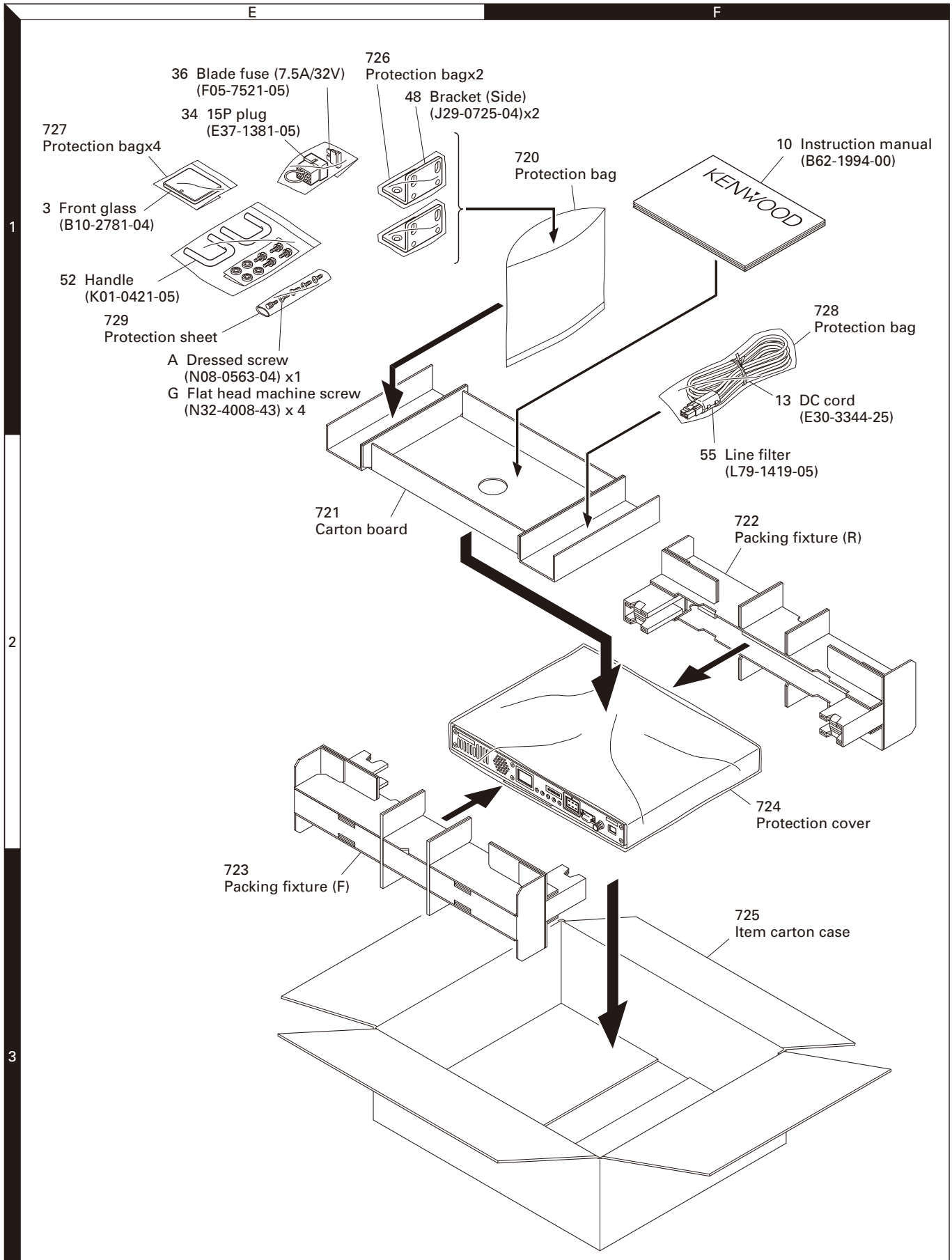
## EXPLODED VIEW



▲ Parts with the exploded numbers larger than 700 are not supplied.

If a part reference number is listed in a box on the exploded view of the PCB (for example, IC123), that part does not come with the PCB. These parts must be ordered separately.

## PACKING





## TROUBLE SHOOTING

### Procedure for Traceability of BGA Package and How to Replace Control Unit

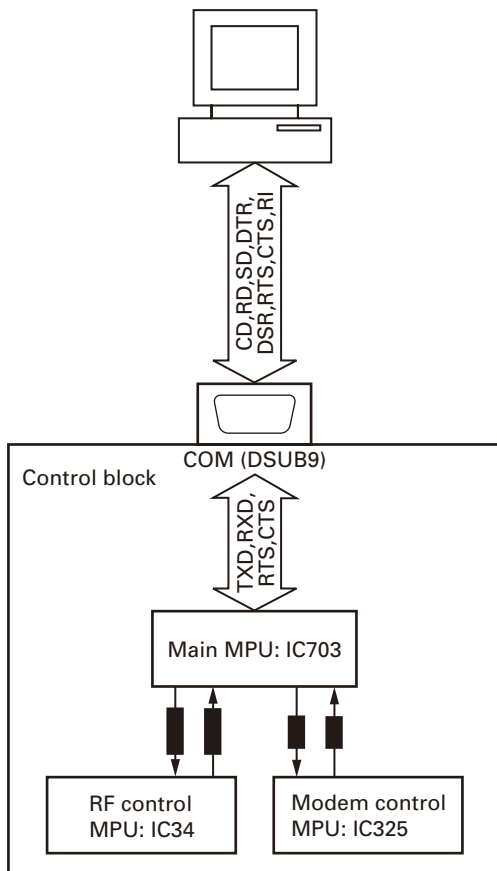
This clause is procedure when you replace Control unit on you repair. Implement traceability of BGA package in order to make sure BGA failure in prior to replace Control Unit. You choose appropriate procedure accordingly.

#### 1. Traceability of BGA Package ICs in Control Unit

The control unit (X53-414) of NXR-700 series have BGA package ICs. BGA package IC is difficult to trace whether it be broken. So, control unit is difficult to confirm whether it has a problem. This document shows a simple method by PC to confirm the control unit has problem. The two methods for traceability in BGA packages IC are provided as below.

##### 1-1. Simplified traceability

- Open the top cover of control unit.
- Slide the tab on DIP\_SW4 (Ref No. S700) to the ON position. (See Fig 1.)
- Connect a cross-wired RS232C cable to COM port on the front panel of NXR-700. Plug the other end of the cable to PC. (See Fig 2.)
- Run a communication software, example a Hyper Terminal in Windows, and set the following parameters.
- COM port: COM port of NXR-700 used in step c.



### Configuration in communication port

Communication speed: 115200bps  
 Data Length: 8-bit  
 Parity: None  
 Stop bits: 1  
 Flow control: Hardware

- Apply 13.8VDC to NXR-700. When BGA ICs mounted in this control unit works correctly, the following messages appears on the screen of communication software. If the software doesn't show below messages, it's supposed that BGA package IC is broken.

```
NEXEDGE IPL 1.00 *1
COPYRIGHT KENWOOD CORPORATION
2007 ALL RIGHTS RESERVED
CPU[R] Version 1.00 *2
CPU[M] Version 1.00 *3
```

- \*1: Appearing this information means the boot program in Main MPU (IC703) is correctly working.
- \*2: ppearing this information means the boot program at the RF control MPU (IC34) is correctly working.
- \*3: Appearing this information means the boot program at the Modem control in MPU(IC325) is correctly working.

**Note:** IPL and CPU[R], CPU[M] version will be updated by any modification or improvement in future.

- After that slide the tab on DIP\_SW4 to OFF position, before close the top cover of control unit.

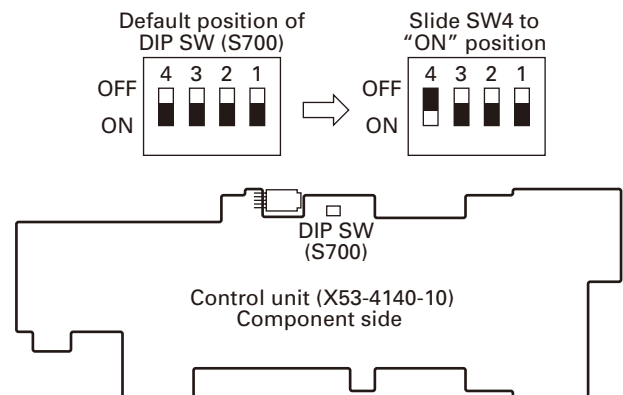


Fig. 1

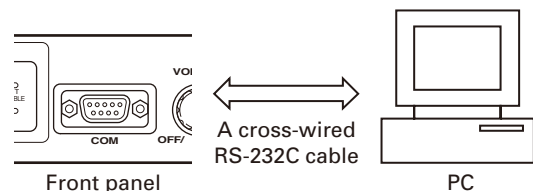
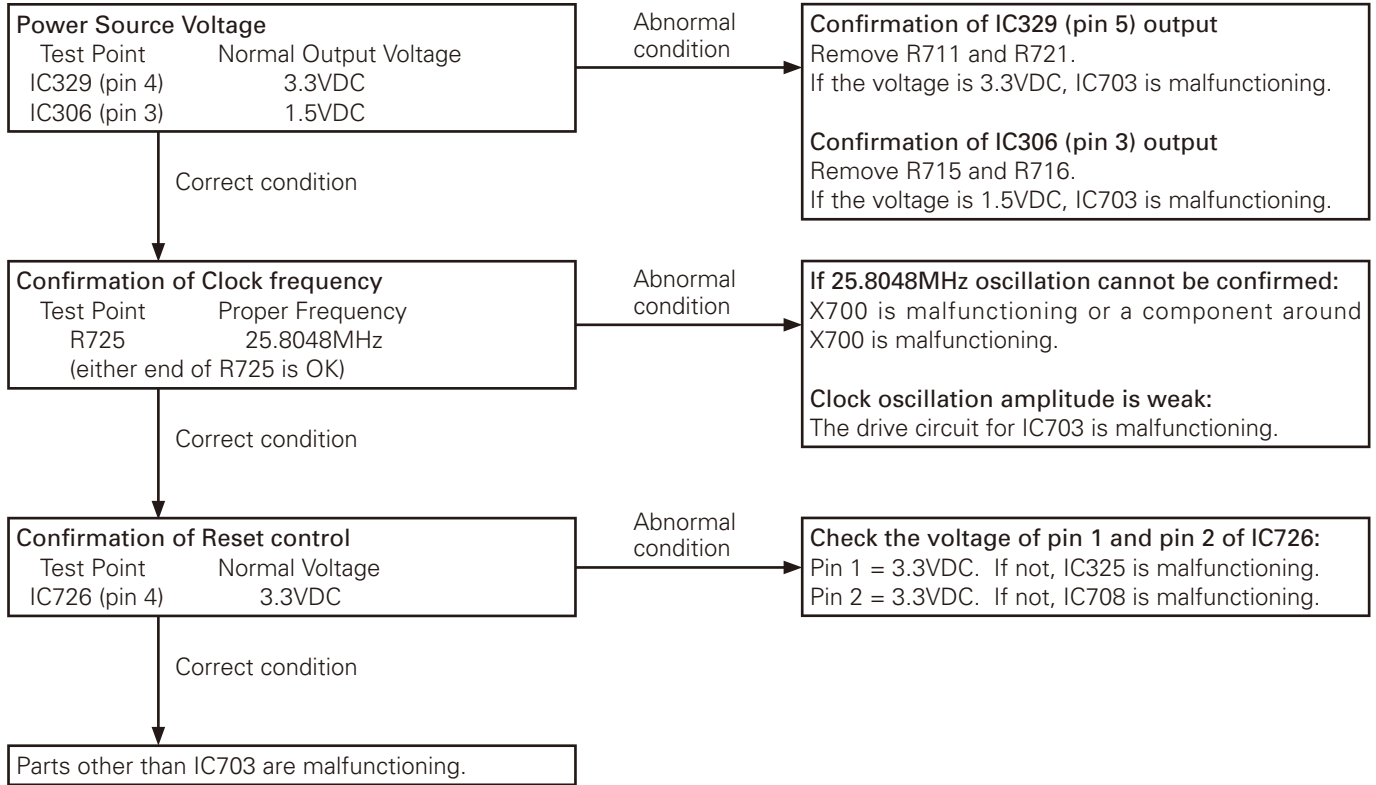


Fig. 2

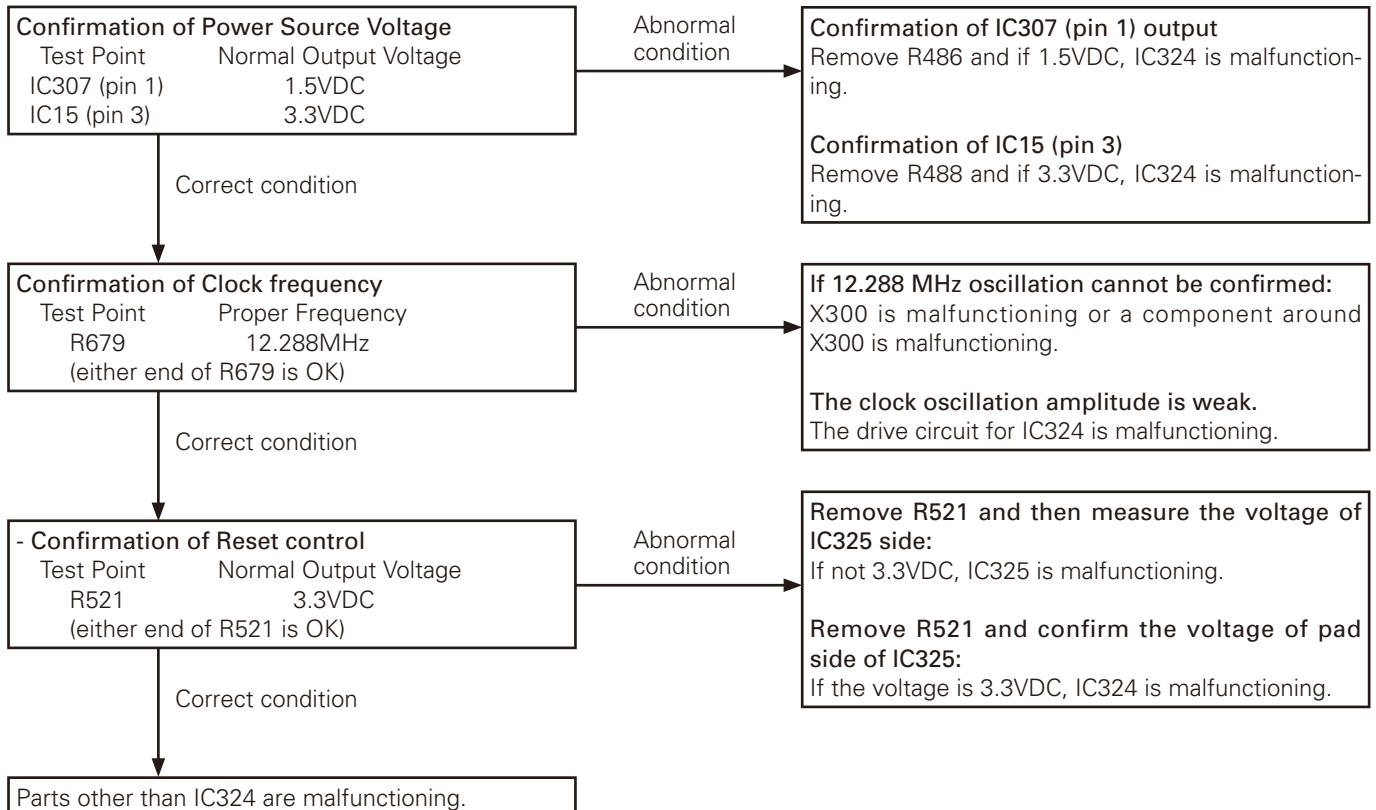
## TROUBLE SHOOTING

### 1-2. Hardware Traceability (Method1)

#### ■ Procedure for IC703 (Main MPU) traceability

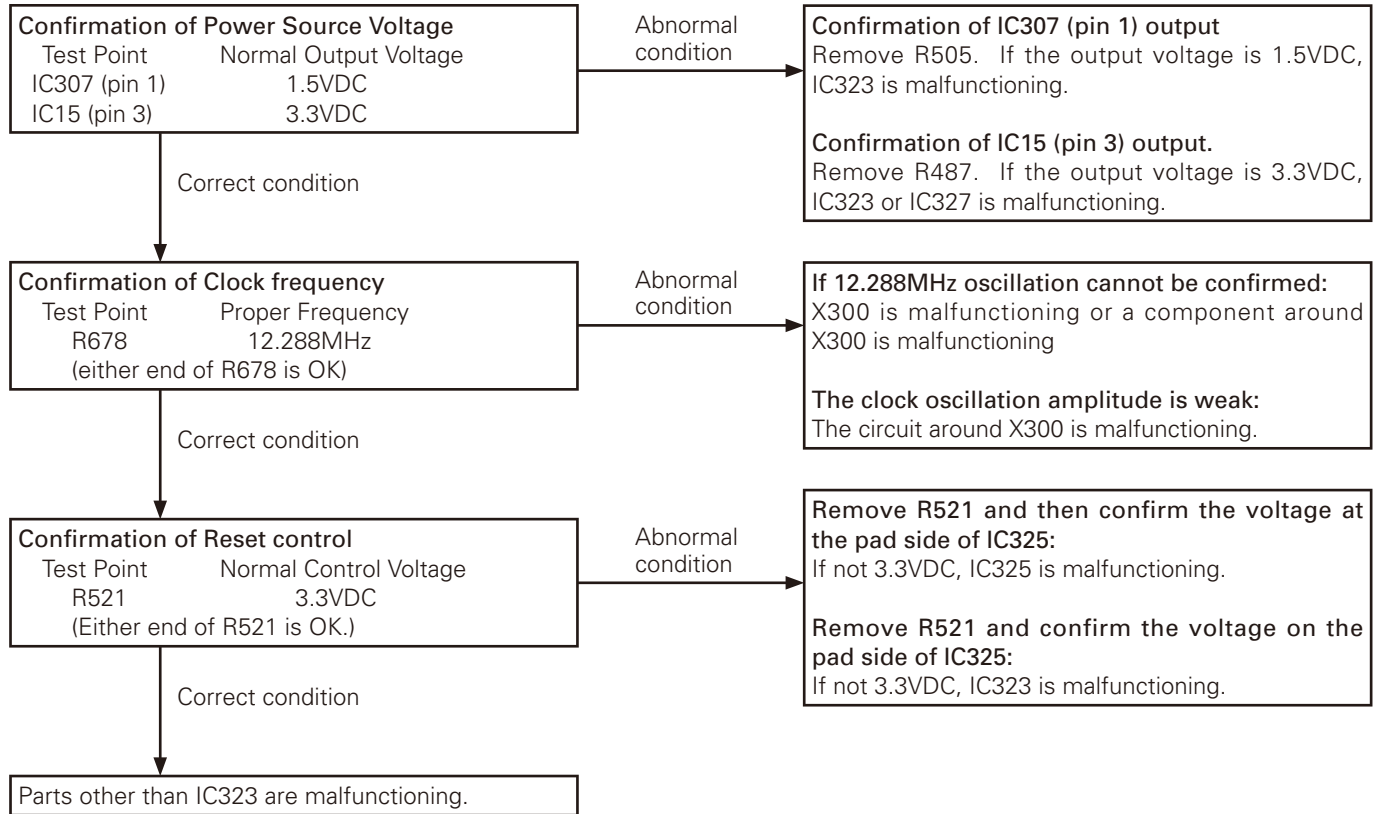


#### ■ Traceability Procedure of IC324 (TX Vocoder\_DSP)

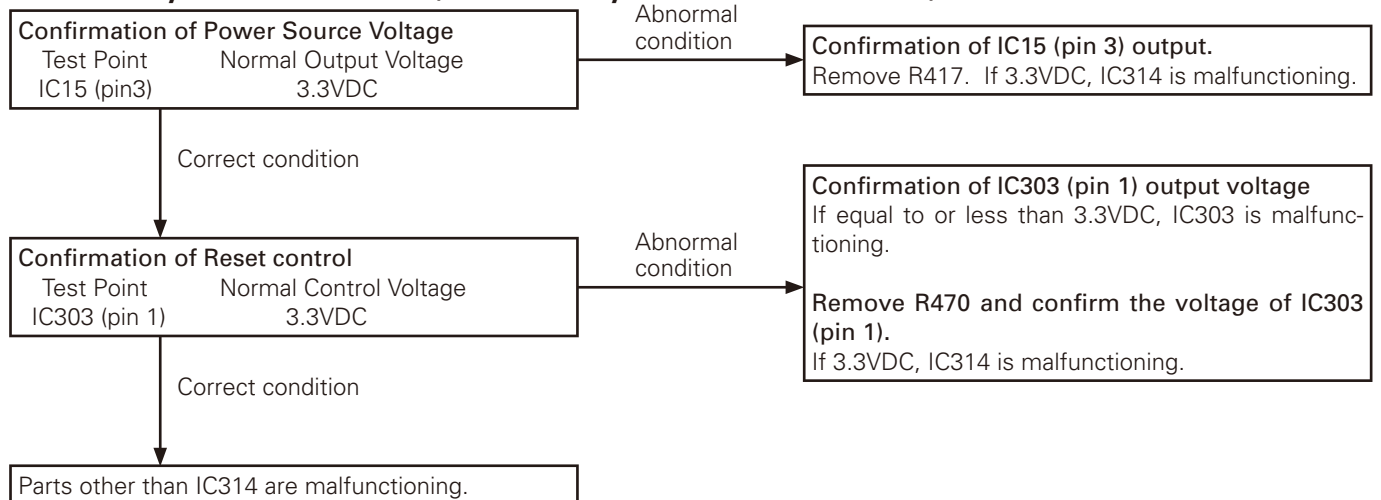


## TROUBLE SHOOTING

### ■ Traceability Procedure of IC323 (RX\_DSP)

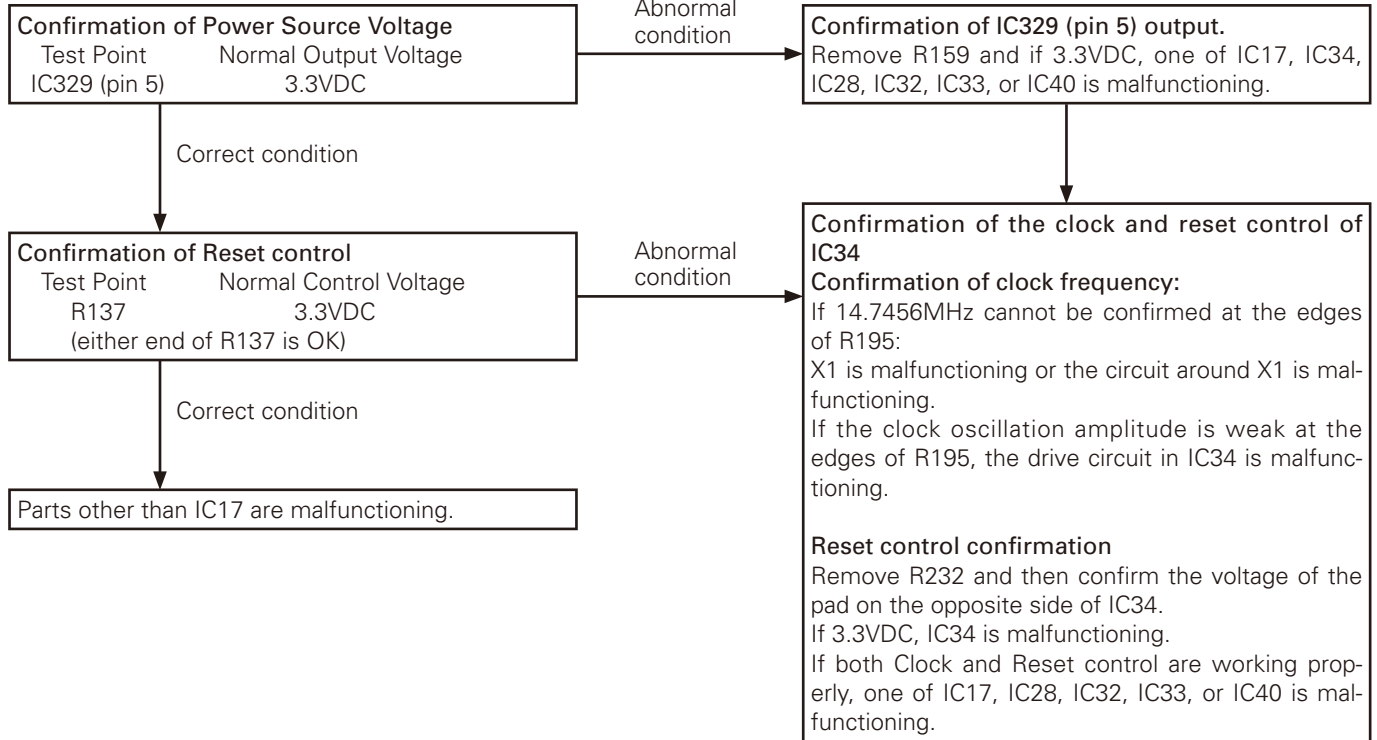


### ■ Traceability Procedure of IC314 (Flash Memory of modem control MPU)

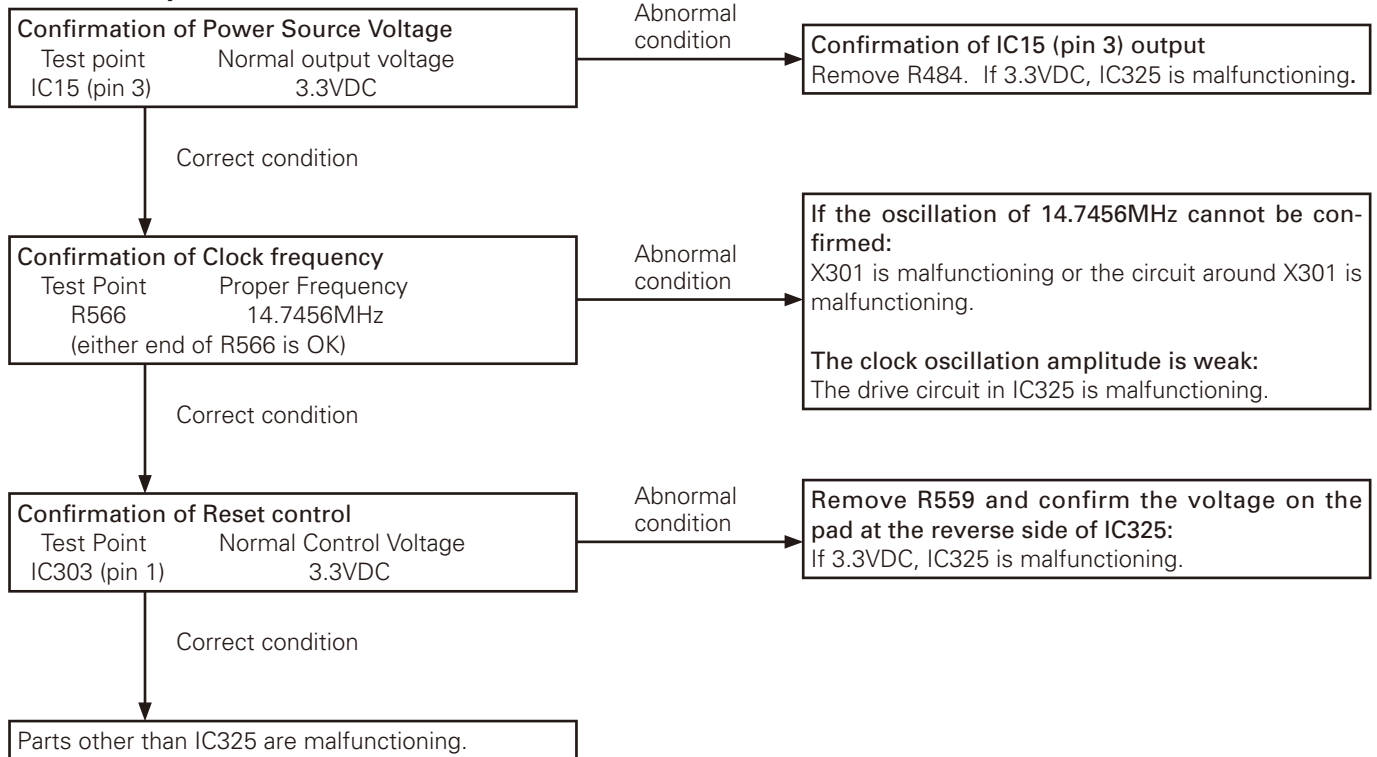


## TROUBLE SHOOTING

### ■ Traceability Procedure of IC17 (Flash Memory of RF control MPU)

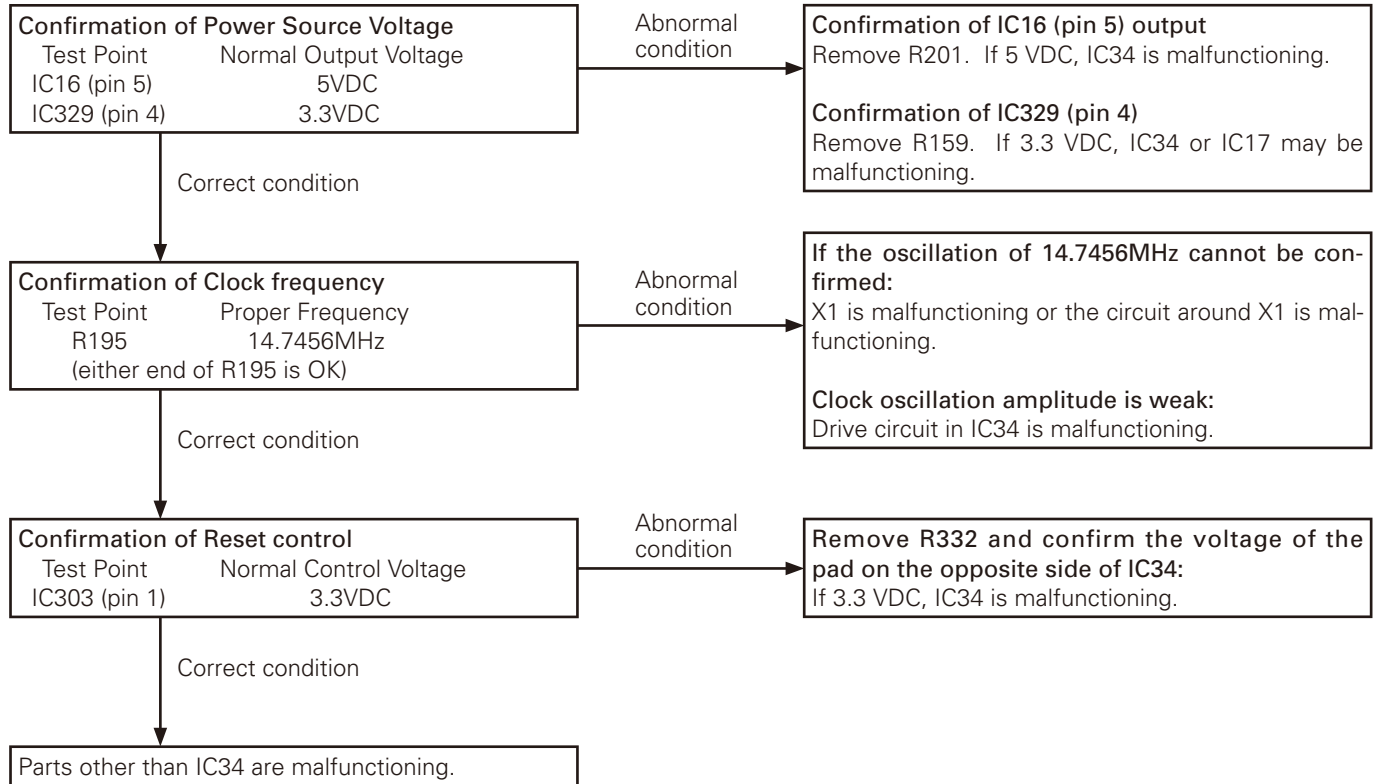


### ■ Traceability Procedure of IC325 (The Modem control MPU)



## TROUBLE SHOOTING

### ■ Traceability Procedure of IC34 (The RF control MPU)



### 1-3. Hardware traceability (Method 2)

The NXR-700 control circuit executes the following procedures when the system starts up.

1. An external DC 13.8V power source is applied to the NXR-700 terminal.
2. The Modem control MPU (IC325) starts up.
3. The Modem control MPU (IC325) initiates all circuit blocks.
4. The Main MPU (IC703) and the RF control MPU (IC34) start up.

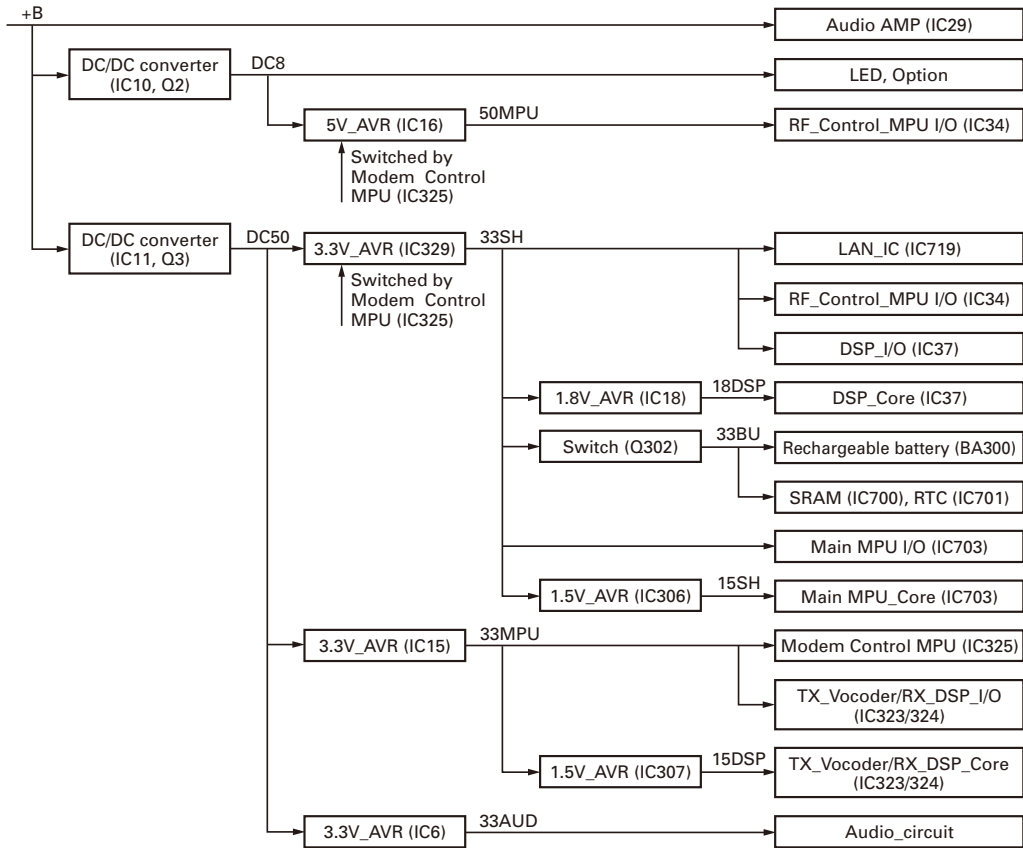
5. The Main MPU (IC703) confirms the operational status of the Modem control MPU (IC325) and the RF control MPU (IC34) by using 115.2kbps UART communications and then the operation transfer commands will be exchanged in order to integrate all hardware blocks.

The above steps 1 to 5 will be executed as follows.

## TROUBLE SHOOTING

### External DC 13.8V Power Source applied to the NXR-700 Terminal

Refer to the power supply diagram sequence below.

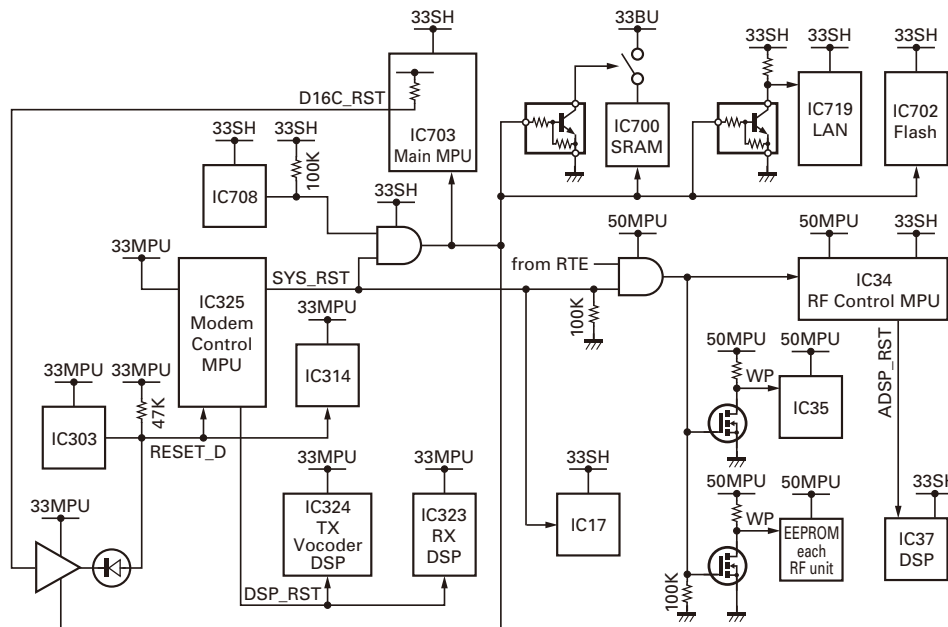


### Initialization of the Modem control MPU (IC325) (normal oscillation of X301 and normal reset-unlock of IC303)

Refer to Traceability procedure for IC325.

### Unlocking "SYS\_RST" Signal on the Modem control MPU (IC325) starts Up all Hardware Blocks

Refer to the Reset circuit below.



Reset circuit

## TROUBLE SHOOTING

### ■ Start-up of each Control Block

#### • Main MPU Block

- Component elements:
- Main MPU: IC703
  - Flash Memory: IC702
  - SD RAM: IC704 and IC707
  - LAN IC: IC719
  - RTC: IC701

#### Overview of Start-up Operation:

When MPU reset line logic switches as high, the MPU starts reading the program from the flash memory and expands the program to SDRAM. Linux OS begins operation on the SDRAM after main MPU transfers the program. Main MPU works usage of Linux OS codes. The other higher-level applications software to the Linux OS will also be expanded in SDRAM. On starting up, main MPU verify the status of the registers in LAN IC except SDRAM which is purpose of backup data even if abnormal symptom detects in either LAN IC or SDRAM, the start-up process is not affected by this error; main MPU behaves operation as if it works properly. To express another word, either Flash memory or SDRAM has defective, a circuit behaves as if main MPU happens malfunction. After executing all initialization routines, the Main MPU verifies the operational status of each MPU then transmits/ receives the operation transfer command set to from the Modem control MPU (IC325) and the RF control MPU (IC34) using 115.2kbps UART communications.

#### • RF Control MPU Block

- Component elements:
- RF control MPU: IC34
  - Flash memory: IC17
  - DSP: IC37

#### Overview of Start-up Operation:

When the RF control MPU (IC34) reset line logic switches as high, this MPU reads the boot program from the internal ROM of MPU and then initializes the peripheral devices. After this boot process completes, the MPU starts working with the programs (application programs) stored in flash memory (IC17) to process the preprogrammed tasks. During the process, the MPU transfers the program to the DSP IC (IC37). It also verifies the operating status of DSP at certain interval.

After a series of processes completes, the RF control MPU verifies the operational status and then transmits and receives the operation transfer command set to/from Main MPU (IC703) using 115200bps UART communications.

#### • Modem Control MPU Block

- Component elements:
- Modem control MPU: IC325
  - Flash memory: IC314
  - RX DSP: IC323
  - TS Vocoder DSP: IC324

#### Overview of Start-up Operation

When the Modem control MPU (IC325) reset line logic switches as high, the MPU reads the boot program from the internal ROM of MPU and then initializes the peripheral devices. After this boot-up process completes, the MPU starts working with the programs (application programs) stored in flash memory (IC314) to process the preprogrammed tasks. During the process, the MPU transfers the program to the RX DSP IC (IC323) and TX Vocoder DSP IC (IC324). It also confirms the operating status of these DSP ICs. After a series of processes completes, the Modem control MPU confirms the operational status and then transmits and receives the operation transfer command set to/from Main MPU (IC703) using 115200 bps UART communications.

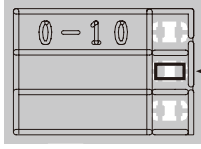
#### • Possible Symptoms if the Block (mainly BGA IC) Malfunctions

Ref. No.	Element of Block	Presumption Symptoms
IC703	Main MPU	<ul style="list-style-type: none"> <li>• Since the boot program cannot be executed at all, the LEDs do not light or flash.</li> <li>• The operations that should be executed by IC703 are not processed.</li> <li>• Runaway of IC703.</li> </ul>
IC17	Flash Memory on RF control MPU block	<ul style="list-style-type: none"> <li>• Migrated to the programming mode (Write). ("PG" appears on the 17-segment LED display.)</li> <li>• The operations that should be executed by IC34 are not processed.</li> <li>• Runaway of IC34.</li> </ul>
IC314	Flash Memory on Modem control block	<ul style="list-style-type: none"> <li>• Migrated to the programming mode (Write). ("PG" appears on the 17-segment LED display.)</li> <li>• The operations that should be executed by IC325 are not processed.</li> <li>• Runaway of IC325.</li> </ul>
IC323	RX DSP	<ul style="list-style-type: none"> <li>• While the boot program is executed, the operation stops (the status LED is flashing).</li> <li>• The operations that should be executed by IC323 are not processed.</li> <li>• Runaway of IC323.</li> </ul>
IC324	TX Vocoder DSP	<ul style="list-style-type: none"> <li>• While the boot program is executed, the operation stops (the status LED is flashing).</li> <li>• The operations that should be executed by IC324 are not processed.</li> <li>• Runaway of IC324.</li> </ul>

## TROUBLE SHOOTING

### 2. Replacing control Unit

#### 2-1. Control Unit information

Original Control Unit	Control Unit (Service unit)	Difference between original unit and Service Unit
X53-4130-10	X53-4130-11	Mounted chip at 0-11 location for Service Unit. 
X53-4140-10	X53-4140-11	

#### 2-2. Supplied Accessories

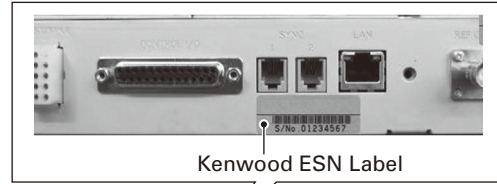
Item (Including Part Number)	Quantity	
	X53-413	X53-414
Control Unit (X53-413)	1	-
Control Unit (X53-414)	-	1
Kenwood ESN Label	-	2
NXDN ESN Label	-	1
Addendum (B59-2536-XX)	1	1

#### 2-3. Printed Circuit Board DATA

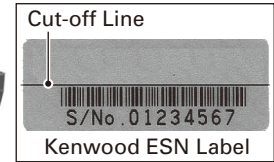
The following data is written on the circuit board:

Data Type	Description
Firmware	NXR-700/800 Firmware
FPU Data (PC programming mode)	NXR-700 K type data.
Various Adjustment Data (PC test mode)	General adjustment values for the NXR-700/800.
Kenwood ESN (X53-414 only)	Model Name: NXR-700/800S Type: K The same number as the Kenwood ESN label is written.
NXDN ESN (X53-414 only)	The same number as the NXDN ESN label is written.

rear view



Kenwood ESN Label



Cut-off Line

Kenwood ESN Label

Side View



Kenwood ESN Label  
NXDN ESN Label (12 digits)

**Note:** For the X53-414, a UPC code and UPC barcode is not printed on the Kenwood ESN Label. If necessary, cut the label at the cut-off line and attach only the serial number.

#### 2-4. After Changing the PCB

1. After changing the printed circuit board, write the up-to-date Firmware following the instructions in the "REALIGNMENT 4. Firmware Programming Mode".
2. Using the KPG-109D, select your desired item (Model Name and Frequency) from the Model > Product Information menu, then use Program > Write to the repeater to write the FPU data (PC Programming mode). When writing to the repeater, a Warning Message, corresponding to the item selected, appears. Click [OK] to continue writing the data.
3. Enter Program > Test mode, then adjust the various adjustment data (PC Test mode) as described in the "ADJUSTMENT".
4. For the X53-414, attach the new labels corresponding to the new printed circuit board. (Refer to the images below for label placement.)
5. If necessary, write the FPU data used by the customer with the KPG-109D or KPG-110SM.

**Note:**

- When a new printed circuit board is used, the Kenwood ESN changes, as does the Repeater Information display of the KPG-109D, but this does not have any effect on the operation of the transceiver.
- If changing to the original Kenwood ESN and NXDN ESN, please contact our service center.
- Re-installing other parts from original unit to Service unit is not required after changing to Service unit.

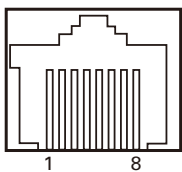


## ADJUSTMENT

### Test Equipment Required for Alignment

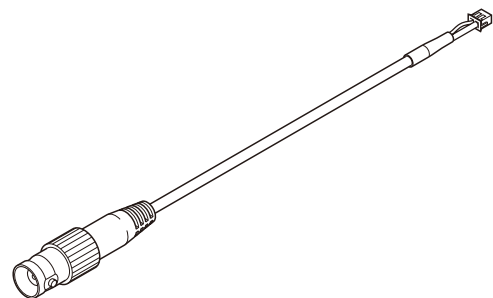
Test Equipment	Major Specifications	
1. Standard Signal Generator (SSG)	Frequency Range Modulation Output	136 to 174MHz Frequency modulation and external modulation 0.1 $\mu$ V to greater than 1mV
2. Power Meter	Input Impedance Operation Frequency Measurement Capability	50 $\Omega$ 136 to 174MHz or more Vicinity of 100W
3. Deviation Meter	Frequency Range	136 to 174MHz
4. Digital Volt Meter (DVM)	Measuring Range Input Impedance	1V to 20V DC High input impedance for minimum circuit loading
5. Oscilloscope		DC through 30MHz
6. High Sensitivity Frequency Counter	Frequency Range Frequency Stability	10Hz to 600MHz 0.2ppm or less
7. Ammeter		15A or more
8. AF Volt Meter (AF V.M)	Frequency Range Voltage Range	50Hz to 10kHz 3mV to 3V
9. Audio Generator (AG)	Frequency Range Output	50Hz to 5kHz 0 to 1V
10. Distortion Meter	Capability Input Level	1% or less at 1kHz 50mV to 10Vrms
11. Voltmeter	Measuring Range Input Impedance	10V to 1.5V DC or less 50k $\Omega$ /V or greater
12. 4 $\Omega$ Dummy Load		Approx. 4 $\Omega$ , 5W
13. Spectrum Analyzer	Frequency Range Input Level Input Sensitivity Resolution Bandwidth Video Bandwidth	40MHz to 520MHz Up to +20dBm -100dBm 100Hz 100Hz
14. Tracking Generator	Frequency Range Output Level	40MHz to 520MHz -30dBm to 0dBm

### MIC connector (Front panel view)

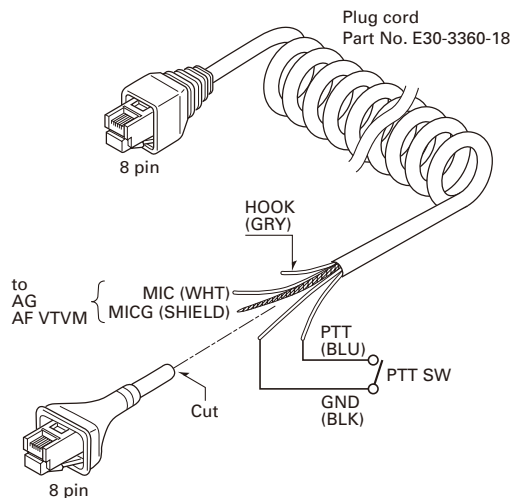


- 1: NC
- 2: SB
- 3: GND
- 4: PTT
- 5: MIG
- 6: MIC
- 7: HOOK
- 8: NC

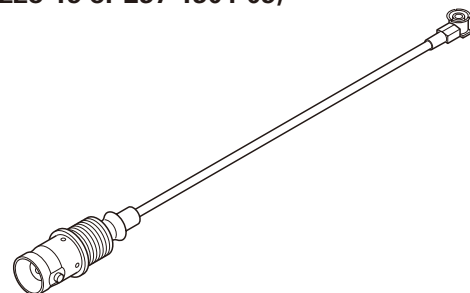
### Jig for MCF adjustment (W05-1000-00)



### Test cable for microphone input (E30-3360-18)

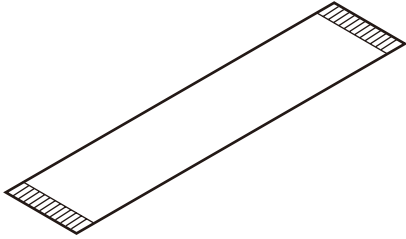


### Jig for Drive AMP adjustment (E30-3228-15 or E37-1304-05)

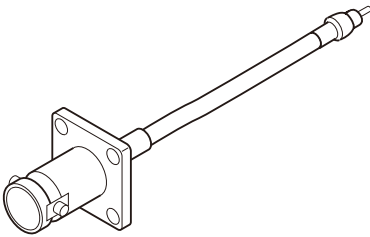


## ADJUSTMENT

Flat cable (36-pin) about 256mm (E37-0979-05)



ANT Jig for BPF adjustment (E30-3418-08)



### Test Signaling

#### ■ Analog

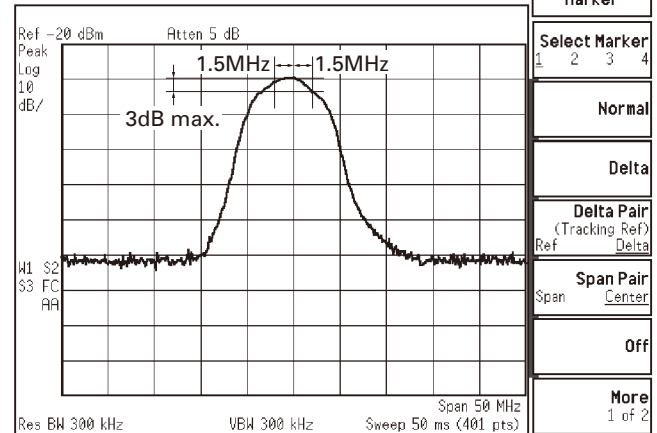
No.	Decode tone	Encode tone
1	None	None
2	None	100Hz square wave
3	QT 67.0Hz	QT 67.0Hz
4	QT 151.4Hz	QT 151.4Hz
5	QT 210.7Hz	QT 210.7Hz
6	QT 254.1Hz	1QT 254.1Hz
7	DQT D023N	DQT D023N
8	DQT D754I	DQT D754I
9	None	CWID encode (ID: VVV)
10	None	Single tone
11	DTMF decode (Code: 159D)	DTMF encode (Code: 159D)
12	None	DTMF encode (Code: 9)
13	None	Courtesy tone

#### ■ NXDN

No.	Decode tone	Encode tone
1	RAN1	RAN1
2	RAN1	PN9
3	RAN1	Maximum deviation pattern

- Signaling number 1 is used for link test with voice.
- Signaling number 2 is used for TX modulation signal quality test. i.e, TX adjacent channel power, FSK error, Occupied bandwidth, Emission mask, etc.
- Signaling number 3 is used for TX deviation test. If the modulation mode is very narrow, the modulation frequency is 600Hz. If the modulation mode is narrow, the modulation frequency is 1200Hz.

#### BPF



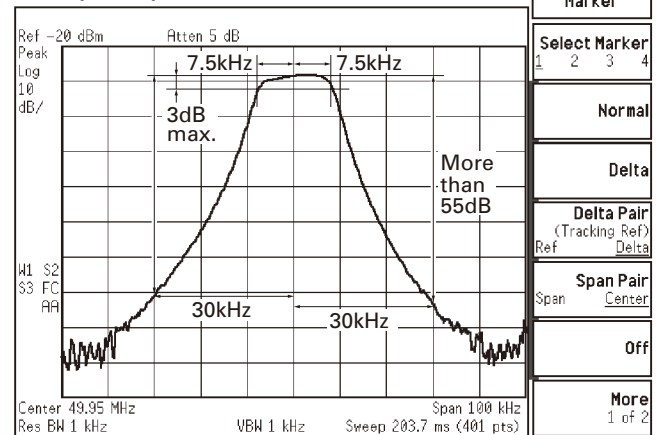
BPF center frequency (Production default)

K: 160MHz, K2: 145MHz

Pass bandwidth  $\pm 1.5$ MHz at 3dB

Fig. 1

#### MCF (Wide)

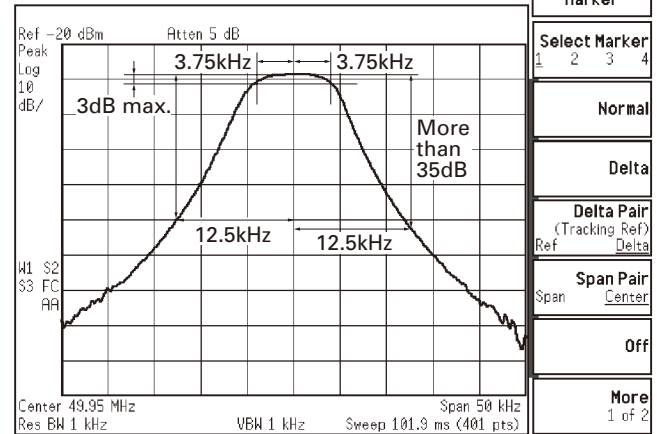


Center frequency: 49.95MHz

Pass bandwidth  $\pm 7.5$ MHz at 3dB

Fig. 2

#### MCF (Narrow)



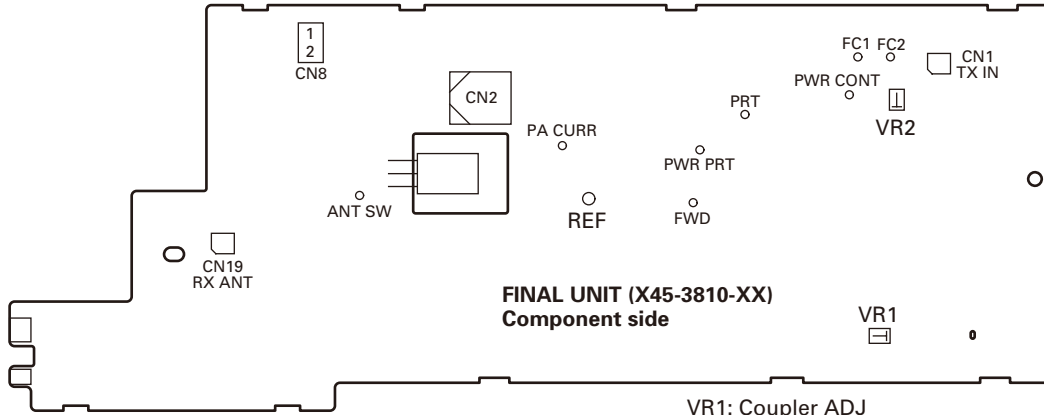
Center frequency: 49.95MHz

Pass bandwidth  $\pm 3.75$ MHz at 3dB

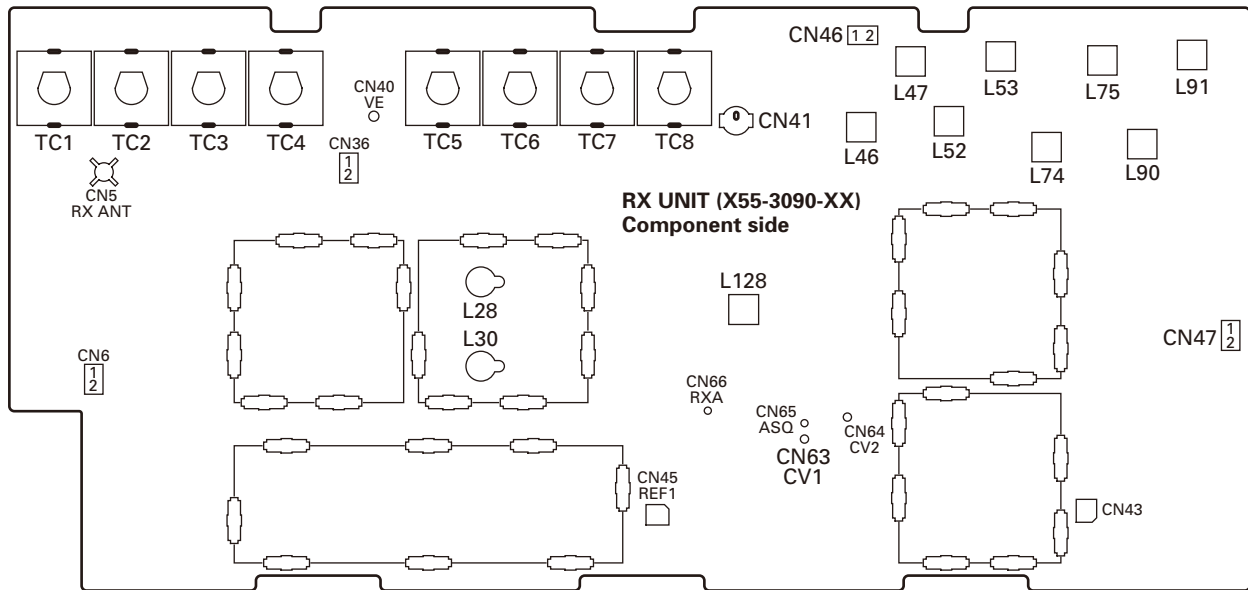
Fig. 3

## ADJUSTMENT

### Adjustment Points

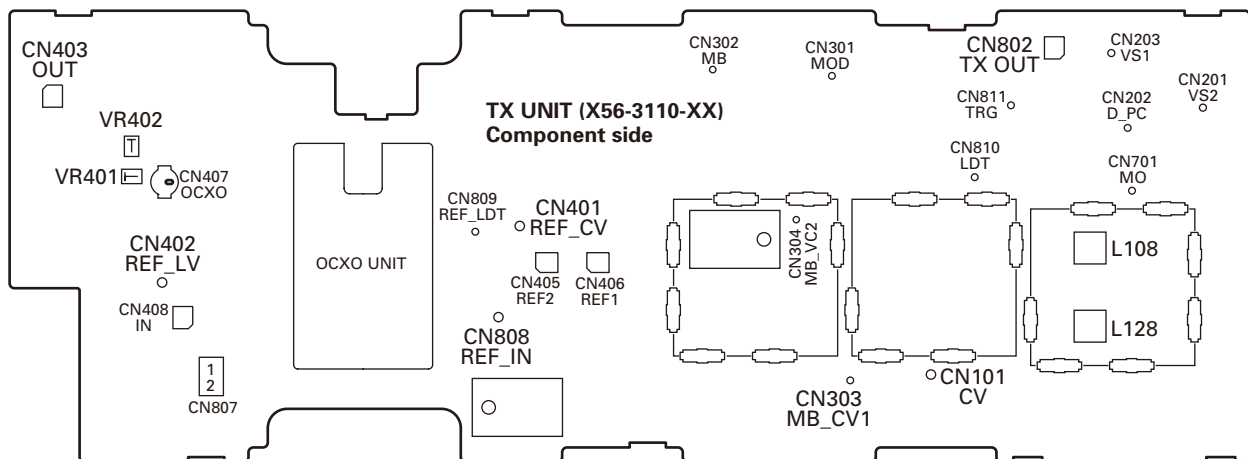


VR1: Coupler ADJ  
VR2: High Transmit Power (Pre ADJ)



L28,30: Receive VCO Lock Voltage (Adjustment)  
TC1~8: BPF

L46,52,74,90: MCF WIDE  
L47,53,75,91: MCF NARROW  
L128: Discriminator



L108,128: Transmit VCO Lock Voltage (Adjustment)  
VR401,402: Reference Signal

## ADJUSTMENT

### Alignment

Item	Condition	Measurement			Adjustment			Specifications / Remarks
		Test-equipment	Unit	Terminal	Unit	Parts	Method	
1. Setting	1) Connect the DC power output to the rear panel DC terminal (13.8V). 2) Connect the front panel COM port (D-sub 9 connector) to the PC serial port with a cross cable. 3) Activate the FPU to go to the test mode.							
2. Temperature Sensor	1) Receive unit (Celsius or Fahrenheit)	Thermometer		Room temperature	RX	PC ADJ	Measuring room temperature, write the value with PC.	
	2) Transmit unit (Celsius or Fahrenheit)				TX			
3. Driver Amplifier Power (Pre ADJ)	1) Low 2) Center 3) High					PC ADJ	Value: 1	Fixed value writing
4. RF Power Down Detection	1) High 2) Low					PC ADJ	Value: 1	Fixed value writing
5. VCO Lock Voltage	1) REF Low SSG frequency: 10MHz -10ppm (9.99999MHz) SSG output: -10dBm	SSG DVM	TX	REF IN REF CV (CN401)			Check	1.5V or more
	2) REF High SSG frequency: 10MHz +10ppm (10.00001MHz) SSG output: +10dBm							3.5V or less
	3) MOD Low SSG frequency: 10MHz -10ppm (9.99999MHz) SSG output: -10dBm			1.5V or more				
	4) MOD High SSG frequency: 10MHz +10ppm (10.00001MHz) SSG output: +10dBm			3.5V or less				
6. Transmit VCO Lock Voltage (Adjustment)	1) A: Low	DVM	TX	CV	TX	L128	Adjust the interval of the L128. 1.30V <b>K</b> 1.50V <b>K2</b>	±0.05V
	2) B: Low							L108
7. Receive VCO Lock Voltage (Adjustment) Pre ADJ	1) A: Low	DVM	RX	CV1	RX	L28	Adjust the interval of the L28. 1.1V <b>K</b> 1.3V <b>K2</b>	±0.05V
	2) B: Low					L30		Adjust the interval of the L30. 1.1V <b>K</b> 1.3V <b>K2</b>
8. Fixation of Oscillation Coil	1) Apply the high-frequency varnish to the adjusted Transmit VCO coil (L128, L108) and cover it with a shield cover. 2) Apply the high-frequency varnish to the adjusted Receive VCO coil (L28, L30) and cover it with a shield cover.							
9. Transmit VCO Lock Voltage (Check)	1) A: High	DVM	TX	CV			Check	4.4V or less <b>K</b>
	2) B: High							3.8V or less <b>K2</b>

## ADJUSTMENT

Item	Condition	Measurement			Adjustment			Specifications / Remarks
		Test-equipment	Unit	Terminal	Unit	Parts	Method	
10. Receive VCO Lock Voltage (Adjustment & Check)	1) A: Low	DVM PC	RX	CV1		PC ADJ	0.8V <b>K</b> 0.9V <b>K2</b>	±0.05V
	2) A: High							Check
	3) B: Low					PC ADJ	0.8V <b>K</b> 0.9V <b>K2</b>	±0.05V
	4) B: High						Check	4.0V or less <b>K</b> 4.2V or less <b>K2</b>
11. Reference Signal  The switching circuit to switch the OCXO and the internal reference oscillation	1) Connecting SSG to REF IN and 50Ω-load parallel. SSG frequency: 10MHz SSG output: +0dBm (224mV)	SSG Spectrum analyzer	Rear TX	REF IN REF OUT	TX	VR402	+8~+9dBm	The OCXO LED (orange) lights.
	2) SSG frequency: 10MHz SSG output: +0dBm (224mV)	SSG Oscilloscope	Rear TX	REF IN REV_LV		VR401	2.0Vp-p	The OCXO LED (green) lights.
	3) SSG frequency: 10MHz SSG output: +10dBm (708mV)	SSG Spectrum analyzer	Rear TX	REF IN REF OUT			Check	REF OUT: +10dBm or less The OCXO LED (orange) lights.
	4) SSG frequency: 10MHz SSG output: -7dBm (99.9mV)							REF OUT: -50dBm or less The OCXO LED goes off.
12. VCXO	1) Confirm that there is no OCXO and external reference input.	F. counter PC	TX	REF_IN		PC ADJ	5.99MHz+0.3ppm	±0.15ppm (5.99000270~5.99000090MHz) It takes a time from movement of adjustment value to stability.
13. Maximum Deviation (NXDN)	1) NXDN Narrow					PC ADJ	Value: 22800	Fixed value writing
	2) NXDN Very Narrow						Value: 10000	
14. Driver Amplifier Power	Disconnect the cable from TX OUT and insert a cable from power meter. After the adjustment, connect the cable to TX OUT. 1) Low 2) Center 3) High	Power meter	TX	TX OUT (CN802)		PC ADJ	+20.0dBm (100mW)	±0.1dBm  Disconnect the cable from TX OUT and insert a cable from power meter. After the adjustment, connect the cable to TX OUT.
15. High Transmit Power (Pre ADJ)	1) Low <b>K</b> Center <b>K2</b>	Power meter PC	Rear	TX ANT		PC ADJ	Value: 1024	Fixed value writing
					Final	VR2	5.0W	±0.1W
16. Coupler ADJ	1) Low <b>K</b> Center <b>K2</b>	DVM Power meter	Final	REF	Final	VR1	0.09~0.14V <b>K</b>  Adjust to the minimum value, if it is not reduced to 0.14V. <b>K2</b>	Adjust to the minimum value, if it is not reduced to 0.14V. <b>K</b>
17. High Transmit Power (Max power limit ADJ)	1) High	Power meter PC	Rear	TX ANT		PC ADJ	Value: 1024	Fixed value writing
					Final	VR2	7.0W	±0.2W
	2) Low					PC ADJ	Value: 1024	Fixed value writing
							Check	6.5W or more

## ADJUSTMENT

Item	Condition	Measurement			Adjustment			Specifications / Remarks
		Test-equipment	Unit	Terminal	Unit	Parts	Method	
18. High Transmit Power	Frequency 1) Low 2) Center 3) High Attach the EXCITER/FINAL shield cover.	Power meter Ammeter	Rear	TX ANT		PC ADJ	5.0W	±0.1W 4.4A or less
19. Low Transmit Power	Frequency 1) Low 2) Center 3) High Attach the EXCITER/FINAL shield cover.						0.50W	±0.01W 3.3A or less
20. Deviation  (The transmission VCO band is separated into A and B. 3-points for each, i.e., total of 6-points shall be adjusted.)	Mode: NXDN Wide/Narrow: Very Narrow Connect the deviation meter to the TX ANT end via the ATT. Deviation meter setting HPF: OFF LPF: 15kHz De-emp: OFF Detector: (p-p)/2 Modulation pattern : 100Hz square signal 1) A: Low 2) A: Center 3) A: High 4) B: Low 5) B: Center 6) B: High	Deviation meter Oscilloscope PC	Rear	TX ANT		PC ADJ	±1.10kHz Adjust it into clean square wave with changing "Sub-audible Gain" and "Audible Gain".	±0.05kHz  Connect the deviation meter to the TX ANT end via the ATT.
	Mode: NXDN Wide/Narrow: Narrow Connect the deviation meter to the TX ANT end via the ATT. Deviation meter setting HPF: OFF LPF: 15kHz De-emp: OFF Detector: +peak, -peak Modulation pattern : Max deviation pattern 1) A (Low)						Check	±3.06kHz±0.10kHz Clean sine wave.
21. Maximum Deviation (Analog)	1) Channel: 3 (Center) Wide/Narrow: Analog Wide Connect the deviation meter to the TX ANT end via the ATT. Deviation meter setting HPF: OFF LPF: 15kHz De-emp: OFF Detector: +peak, -peak AG setting: 1kHz/45mVrms (Sine wave, Terminal load)	Deviation meter AG DVM	Rear Front	TX ANT MIC		PC ADJ	±4.1kHz	±0.2kHz  Connect the deviation meter to the TX ANT end via the ATT.
	2) Channel: 3 (Center) Wide/Narrow: Analog Narrow Connect the deviation meter to the TX ANT end via the ATT. AG setting: 1kHz/55mVrms (Sine wave, Terminal load)						±1.7kHz	±0.1kHz

## ADJUSTMENT

Item	Condition	Measurement			Adjustment			Specifications / Remarks
		Test-equipment	Unit	Terminal	Unit	Parts	Method	
22. Standard Modulation Check	1) Channel: 3 (Center) Wide/Narrow: Analog Wide Connect the deviation meter to the TX ANT end via the ATT. Deviation meter setting HPF: OFF LPF: 15kHz De-emp: OFF Detector: (p-p)/2 AG setting : 1kHz/±3kHz DEV (Sine wave, Terminal load)	Deviation meter AG DVM	Rear Front	TX ANT MIC			Check	4.5mV±1.5mV  Connect the deviation meter to the TX ANT end via the ATT.
	2) Channel: 3 (Center) Wide/Narrow: Analog Narrow Connect the deviation meter to the TX ANT end via the ATT. AG setting : 1kHz/±1.5kHz DEV (Sine wave, Terminal load)							5.5mV±1.5mV
23. QT Deviation	1) Channel: 3 (Center) Wide/Narrow: Analog Wide Connect the deviation meter to the TX ANT end via the ATT. Deviation meter setting HPF: OFF LPF: 3kHz De-emp: OFF Detector: p-p/2	Deviation meter	Rear	TX ANT		PC ADJ	±0.75kHz	±0.05kHz  Connect the deviation meter to the TX ANT end via the ATT.
	2) Channel: 3 (Center) Wide/Narrow: Analog Narrow						±0.35kHz	±0.05kHz
24. DQT Deviation	1) Channel: 3 (Center) Wide/Narrow: Analog Wide Connect the deviation meter to the TX ANT end via the ATT. Deviation meter setting HPF: OFF LPF: 3kHz De-emp: OFF Detector: Peak hold	Deviation meter	Rear	TX ANT		PC ADJ	±0.75kHz	±0.05kHz  Connect the deviation meter to the TX ANT end via the ATT.
	2) Channel: 3 (Center) Wide/Narrow: Analog Narrow						±0.35kHz	±0.05kHz
25. CW ID Deviation	1) Channel: 3 (Center) Wide/Narrow: Analog Wide Connect the deviation meter to the TX ANT end via the ATT. Deviation meter setting HPF: OFF LPF: 15kHz De-emp: OFF Detector: +peak, -peak	Deviation meter	Rear	TX ANT		PC ADJ	±2.00kHz	±0.05kHz  Connect the deviation meter to the TX ANT end via the ATT.
	2) Channel: 3 (Center) Wide/Narrow: Analog Narrow						±1.00kHz	±0.05kHz

## ADJUSTMENT

Item	Condition	Measurement			Adjustment			Specifications / Remarks
		Test-equipment	Unit	Terminal	Unit	Parts	Method	
26. Test Tone Deviation	1) Channel: 3 (Center) Wide/Narrow: Analog Wide Connect the deviation meter to the TX ANT end via the ATT. Deviation meter setting HPF: OFF, LPF: 15kHz De-emp: OFF Detector: (p-p)/2	Deviation meter	Rear	TX ANT		PC ADJ	±3.00kHz	±0.05kHz  Connect the deviation meter to the TX ANT end via the ATT.
	±1.50kHz						±0.05kHz	
27. DTMF Deviation	1) Channel: 3 (Center) Wide/Narrow: Analog Wide Connect the deviation meter to the TX ANT end via the ATT. Deviation meter setting HPF: OFF, LPF: 15kHz De-emp: OFF Detector: (p-p)/2	Deviation meter	Rear	TX ANT		PC ADJ	±2.85kHz	±0.05kHz  Connect the deviation meter to the TX ANT end via the ATT.
	±1.50kHz						±0.05kHz	
28. Courtesy Tone Deviation	1) Channel: 3 (Center) Wide/Narrow: Analog Wide Connect the deviation meter to the TX ANT end via the ATT. Deviation meter setting HPF: OFF, LPF: 15kHz De-emp: OFF Detector: (p-p)/2	Deviation meter	Rear	TX ANT		PC ADJ	±1.00kHz	±0.05kHz  Connect the deviation meter to the TX ANT end via the ATT.
	±0.50kHz						±0.05kHz	
29. TD Deviation	1) Channel: 3 (Center) Wide/Narrow: Analog Wide Connect the deviation meter to the TX ANT end via the ATT. Deviation meter setting HPF: OFF, LPF: 3kHz De-emp: OFF Detector: +peak, -peak AG setting : 0.1kHz/0.5Vp-p (177mVrms)	Deviation meter AG DVM	Rear	TX ANT CONTROL I/O jack TD (pin 8)		PC ADJ	±0.75kHz	±0.02kHz  Connect the deviation meter to the TX ANT end via the ATT.
	±0.75kHz						±0.02kHz	
30. Transmit Audio Input (TA)	1) Channel: 3 (Center) Wide/Narrow: Analog Wide Connect the deviation meter to the TX ANT end via the ATT. Deviation meter setting HPF: OFF, LPF: 15kHz De-emp: OFF Detector: +peak, -peak AG setting : 1kHz/280mVrms	Deviation meter AG DVM	Rear	TX ANT CONTROL I/O jack TA (pin 9)		PC ADJ	±3.00kHz	±0.03kHz  Connect the deviation meter to the TX ANT end via the ATT.
	±1.50kHz						±0.02kHz	



## ADJUSTMENT

Item	Condition	Measurement			Adjustment			Specifications / Remarks
		Test-equipment	Unit	Terminal	Unit	Parts	Method	
31. BPF	1) Tracking generator Output: -20dBm Spectrum analyzer Frequency: Desired frequency Span: 50MHz	Tracking generator Spectrum analyzer	Rear RX	RX ANT CN41	RX	TC1~ TC8	Adjust it by the programmed frequency to look like the wave in figure 1.	Refer to Fig. 1. (Page 50)
32. MCF	1) Wide Tracking generator Output: -20dBm Spectrum analyzer Frequency: 49.95MHz Span: 100kHz	Tracking generator Spectrum analyzer	Rear RX	CN46 CN47	RX	L46 L52 L74 L90	Adjust it to look like the wave in figure 2.	Refer to Fig. 2. (Page 50)
	2) Narrow Spectrum analyzer Span: 50kHz					L47 L53 L75 L91	Adjust it to look like the wave in figure 3.	
33. Discriminator	1) Narrow Frequency: Desired frequency SSG output: -53dBm (501μV) SSG MOD: 1kHz SSG DEV: 1.5kHz AF output: 2V/4Ω	SSG AF V.M	Rear	RX ANT TEST/ SPKR jack SPO (pin 12) 4Ω load	RX	L128	Adjust AF output max.	
34. RD Level	1) Wide/Narrow: Analog Wide Connect the SSG to the RX ANT. SSG setting Frequency: Desired frequency Output: -53dBm (501μV) MOD: 1kHz DEV: ±3.0kHz	SSG AF V.M	Rear	RX ANT CONTROL I/O jack RD (pin 10)		PC ADJ	80mV	±5mV
	2) Wide/Narrow: Analog Narrow SSG setting DEV: ±1.5kHz							
35. RA Level	1) Wide/Narrow: Analog Wide Connect the SSG to the RX ANT. SSG setting Frequency: Desired frequency Output: -53dBm (501μV) MOD: 1kHz DEV: ±3.0kHz	SSG AF V.M	Rear	RX ANT CONTROL I/O jack RA (pin 11)		PC ADJ	400mV	±20mV
	2) Wide/Narrow: Analog Narrow SSG setting DEV: ±1.5kHz							
36. Receiver Sensitivity Check	1) Wide/Narrow: Analog Wide Connect the SSG to the RX ANT. SSG setting Frequency: Desired frequency MOD: 1kHz DEV: ±3.0kHz AF: 0.45V/4Ω	SSG Distortion meter	Rear	RX ANT TEST/ SPKR jack SPO (pin 12) 4Ω load			Check	-115dBm (0.4μV) or less
	2) Wide/Narrow: Analog Narrow SSG setting DEV: ±1.5kHz							

## ADJUSTMENT

Item	Condition	Measurement			Adjustment			Specifications / Remarks	
		Test-equipment	Unit	Terminal	Unit	Parts	Method		
37. Tight Squelch	1) Wide/Narrow: Analog Wide Connect the SSG to the RX ANT. SSG setting Frequency: Desired frequency Output: 12dB SINAD level +7dB MOD: 1kHz DEV: ±3.0kHz	SSG Oscilloscope	Rear	RX ANT TEST/ SPKR jack SPO (pin 12) 4Ω load		PC ADJ	Adjust it to the level to open the squelch.		
	2) SSG output: OFF						Check	The squelch shall be closed.	
	3) Wide/Narrow: Analog Narrow SSG setting DEV: ±1.5kHz						PC ADJ	Adjust it to the level to open the squelch.	
	4) SSG output: OFF						Check	The squelch shall be closed.	
38. Open Squelch	1) Wide/Narrow: Analog Wide Connect the SSG to the RX ANT. SSG setting Frequency: Desired frequency Output: 12dB SINAD level -2dB MOD: 1kHz DEV: ±3.0kHz	SSG Oscilloscope	Rear	RX ANT TEST/ SPKR jack SPO (pin 12) 4Ω load		PC ADJ	Adjust it to the level to open the squelch.		
	2) SSG output: OFF						Check	The squelch shall be closed.	
	3) Wide/Narrow: Analog Narrow SSG setting DEV: ±1.5kHz						PC ADJ	Adjust it to the level to open the squelch.	
	4) SSG output: OFF						Check	The squelch shall be closed.	
39. RSSI	Wide/Narrow: Analog Wide Connect the SSG to the RX ANT. SSG setting Frequency: Desired frequency MOD: 1kHz DEV: ±1.5kHz Narrow 1) SSG output: -53dBm (501μV)	SSG AF V.M	Rear	RX ANT TEST/ SPKR jack RSSI (pin 8)		PC ADJ	3.5V	±0.1V	
	2) Point: High Level SSG output : 12dB SINAD level +7dB						PC ADJ (Vin4)	Apply the value (Vin4)	
	3) Point: Low Level SSG output : 12dB SINAD level -2dB								
40. Repeater Gain	1) Wide/Narrow: Analog Wide Connect the SSG to the RX ANT. SSG setting Frequency: Desired frequency Output: -53dBm (501μV) MOD: 1.0kHz DEV: ±1.0kHz Connect the deviation meter to the TX ANT end via the ATT. Deviation meter setting HPF: OFF LPF: 15kHz De-emp: OFF Detector: +peak, -peak	SSG Deviation meter	Rear	RX ANT TX ANT		PC ADJ	±1.00kHz	±0.10kHz	
	2) Wide/Narrow: Analog Narrow						±1.00kHz	±0.10kHz	

## ADJUSTMENT

### Adjustment for KXK-3 (OCXO unit)

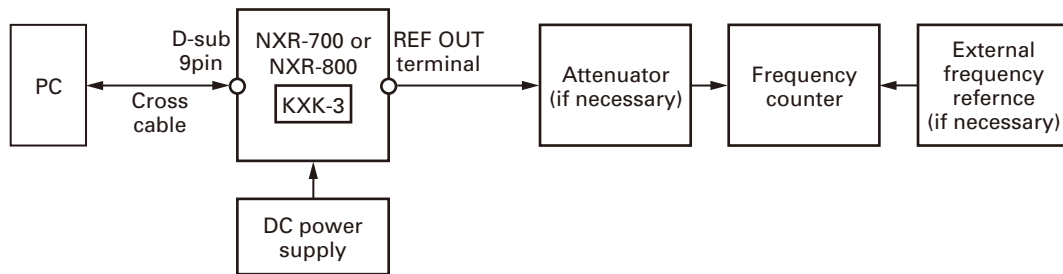
We recommend that the frequency adjustment be checked each time the radio is serviced, or at least once per year. Maintenance should only be performed under normal temperatures.

#### ■ Test Equipment Required for Alignment

Test Equipment	Major Specifications	
1. Frequency Counter	Frequency Range	Up to 50MHz
	Resolution	9 digits
	Reference Frequency Accuracy	Smaller than 0.01ppm
	Input level	Up to 5Vpp

#### ■ Adjustment Setup

The KXK-3 OCXO unit must be mounted on the NXR-700 or NXR-800 repeater. Adjustment setup is shown as follows.



To adjust the KXK-3 OCXO unit, some preparations are required.

1. The NXR-700 or NXR-800 with the KXK-3 OCXO unit must be warmed up at least 24 hours before the adjustment is made. The environment temperature must be stable.
2. The frequency counter (or reference oscillator) must be warmed up as defined by the equipment manufacturer.

#### ■ Adjustment

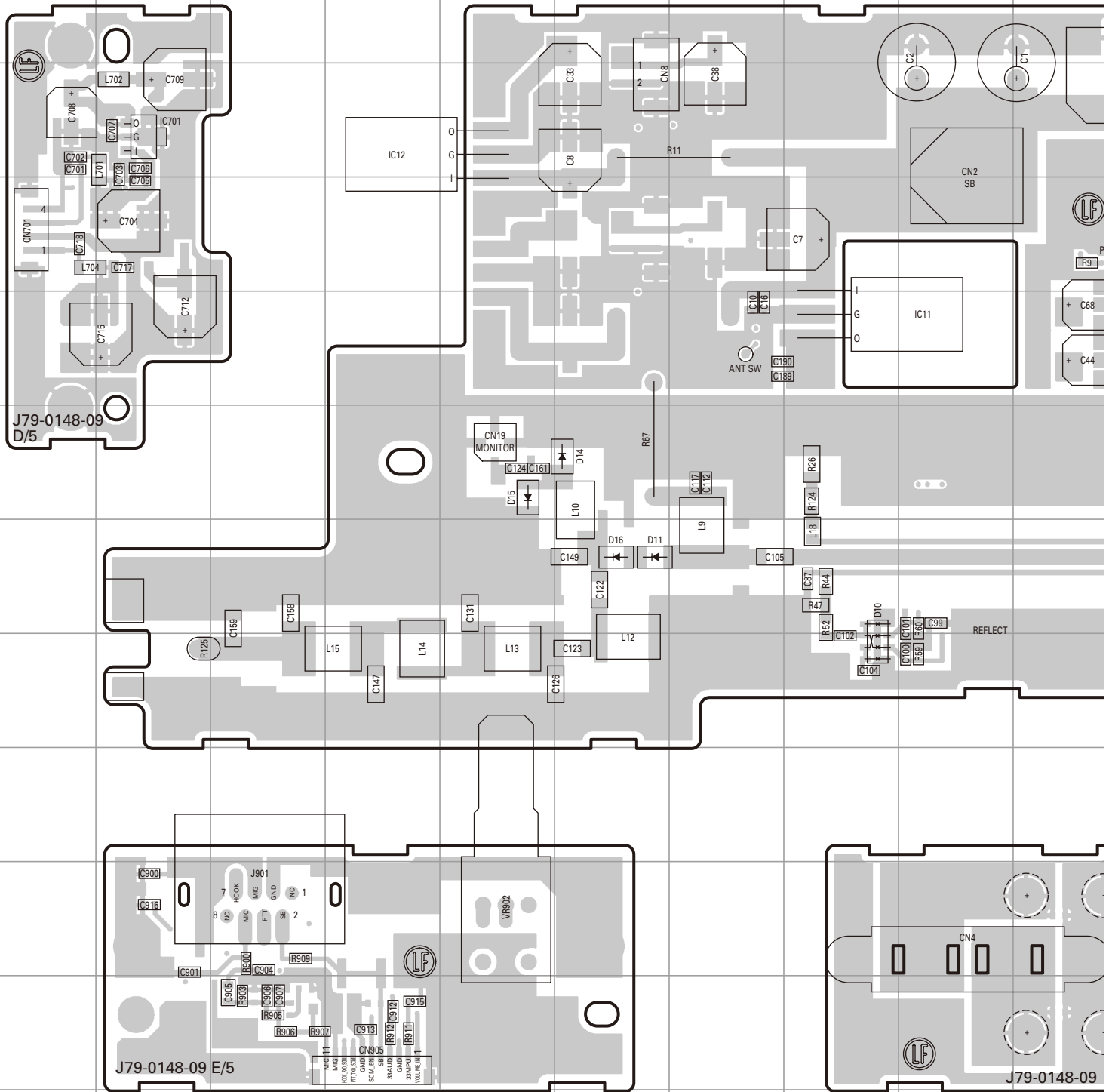
Item	Condition	Measurement			Adjustment			Specifications / Remarks
		Test-equipment	Unit	Terminal	Unit	Parts	Method	
1. Setting	1) Connect the DC power output to the rear panel DC terminal (13.8V). 2) Connect the "REF OUT" terminal to the frequency counter. 3) Warm-up the equipment and KXK-3 properly. 4) Connect the front panel COM port (D-sub 9 connector) to the PC serial port with a cross cable. 5) Activate the FPU to go to the test mode.							
2. OCXO frequency adjustment		f. counter	Rear	REF OUT		PC ADJ		±0.15ppm 9.9999850MHz~ 10.00000150MHz

#### Note:

Adjusted data is stored in the KXK-3 internal memory, therefore no re-adjustment is required when the adjusted KXK-3 is moved to another NXR-700 or NXR-800.

# NXR-700 PC BOARD

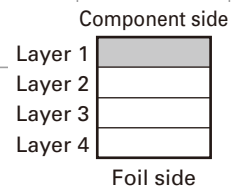
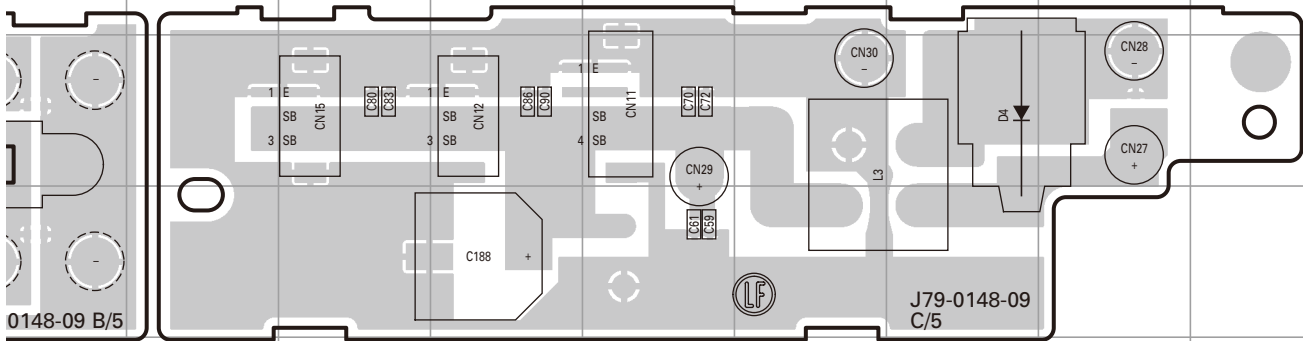
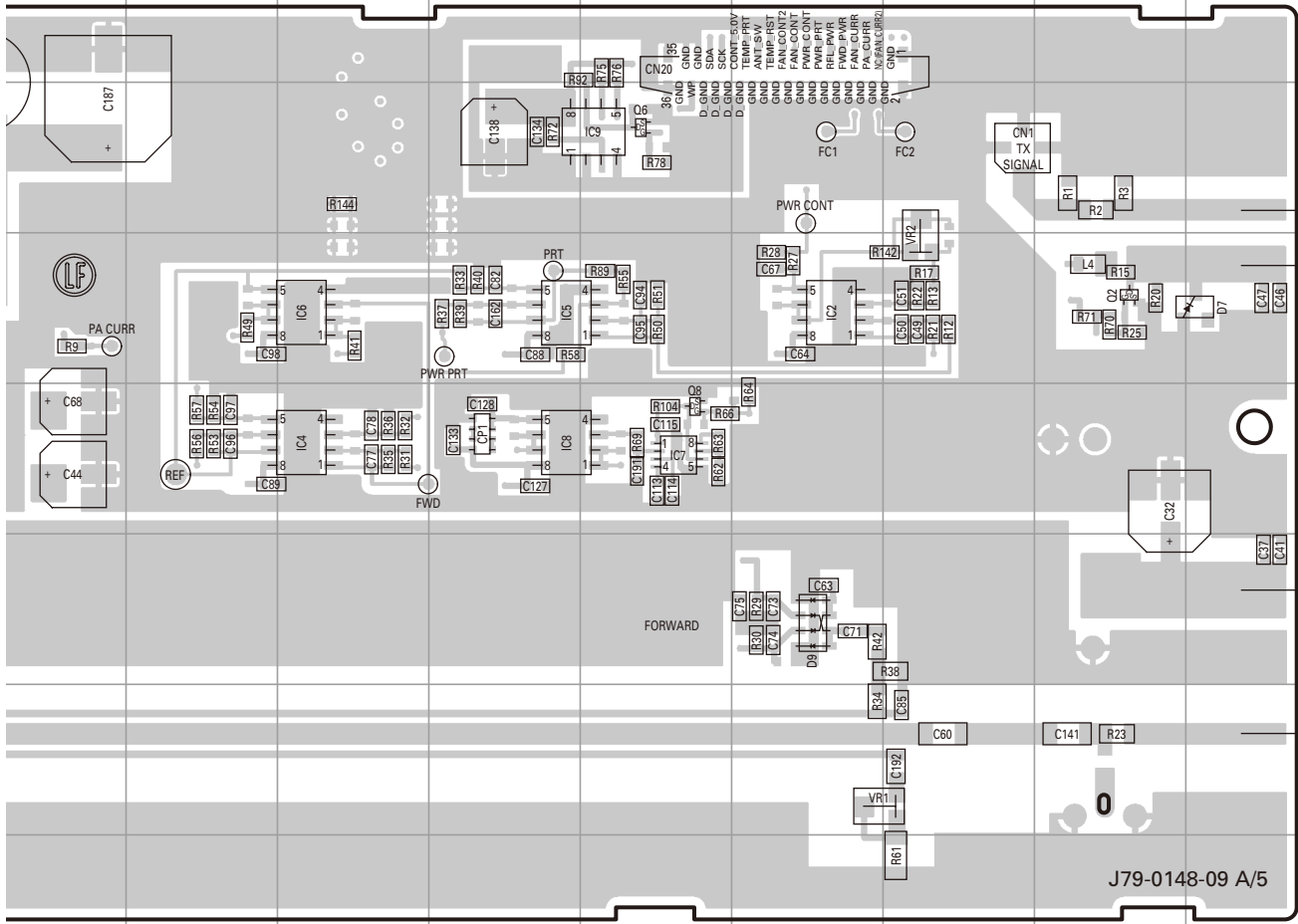
FINAL UNIT (X45-3810-10) : K  
Component side view (J79-0148-09)



Ref. No.	Address	Ref. No.	Address	Ref. No.	Address	Ref. No.	Address	Ref. No.	Address
IC2	4O	IC8	5M	IC701	3B	D7	4R	D15	6E
IC4	5L	IC9	3N	Q2	4Q	D9	6O	D16	7F
IC5	4M	IC10	5S	Q6	3N	D10	8H		
IC6	4L	IC11	5I	Q8	5N	D11	7F		
IC7	5N	IC12	3D	D4	10P	D14	6F		

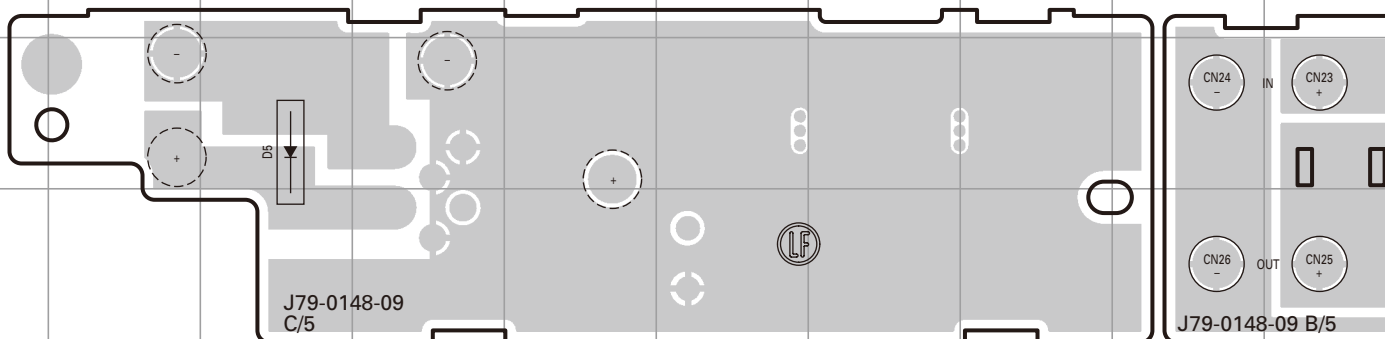
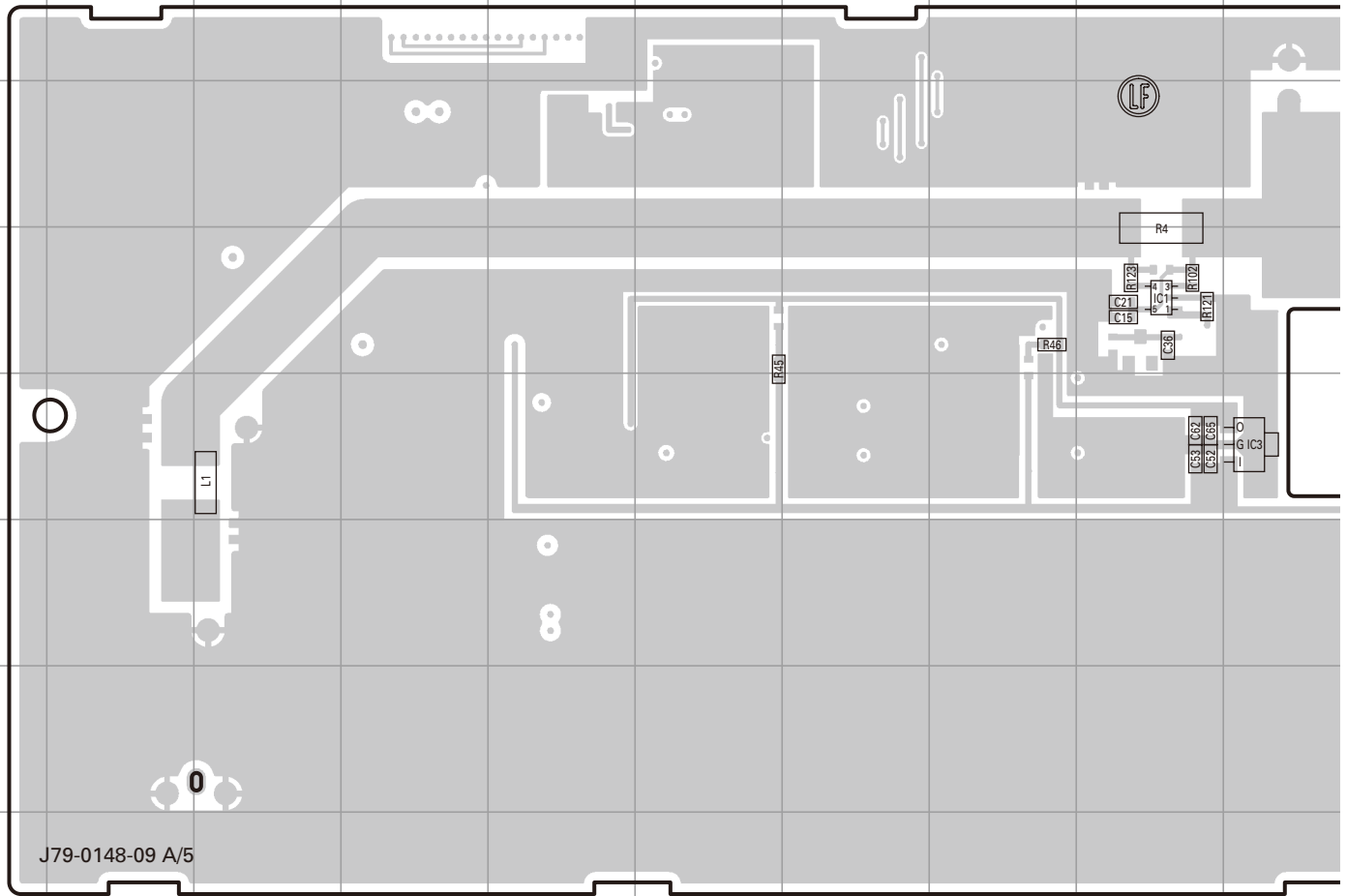
# PC BOARD NXR-700

FINAL UNIT (X45-3810-10) : K  
Component side view (J79-0148-09)



# NXR-700 PC BOARD

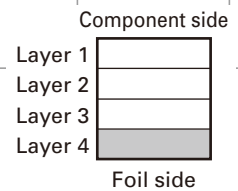
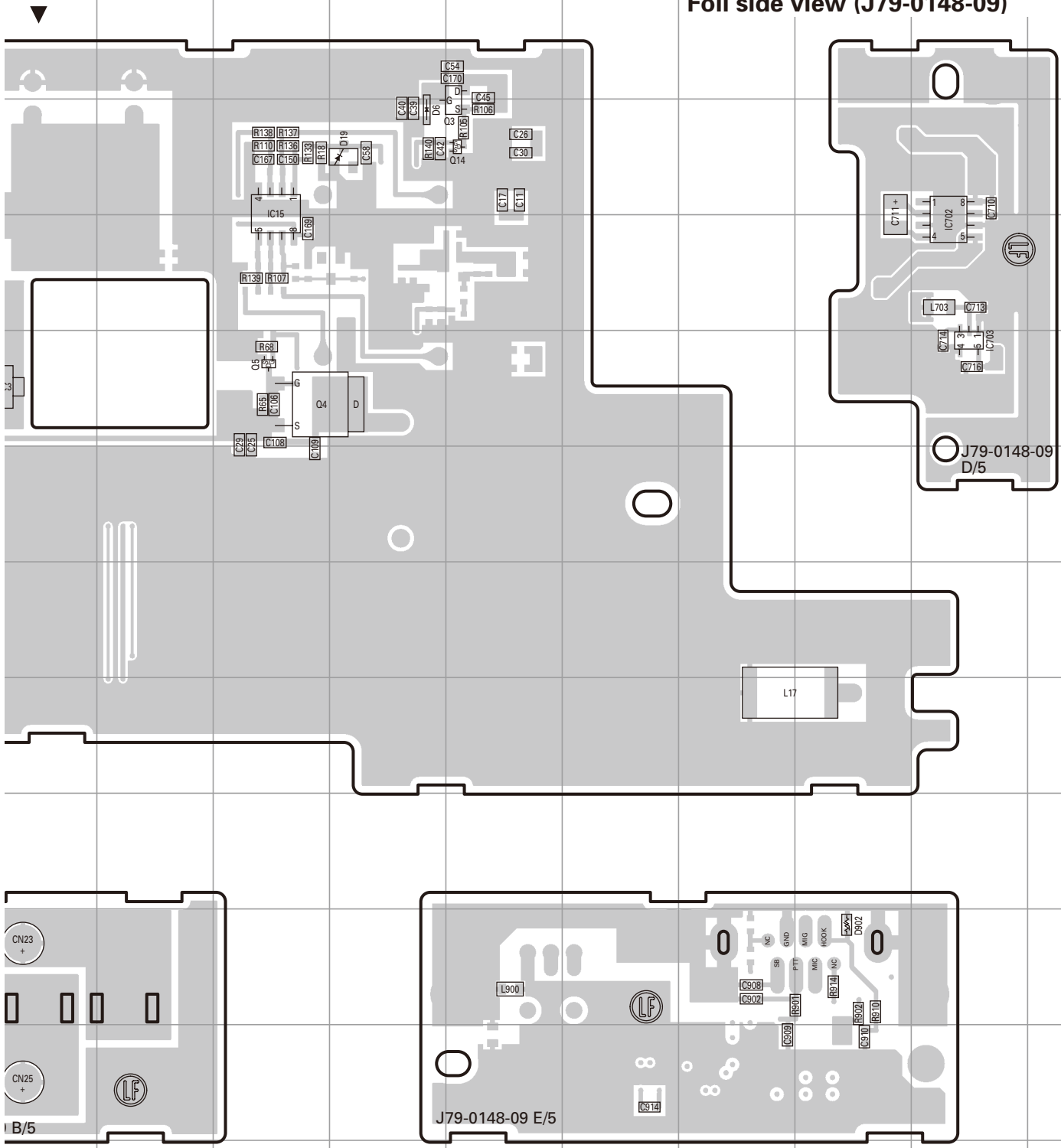
FINAL UNIT (X45-3810-10) : K  
Foil side view (J79-0148-09)



Ref. No.	Address	Ref. No.	Address	Ref. No.	Address
IC1	4I	Q3	3N	D6	3M
IC3	5J	Q4	5L	D19	3M
IC15	3L	Q5	5L	D902	10Q
IC702	4R	Q14	3N		
IC703	5R	D5	10C		

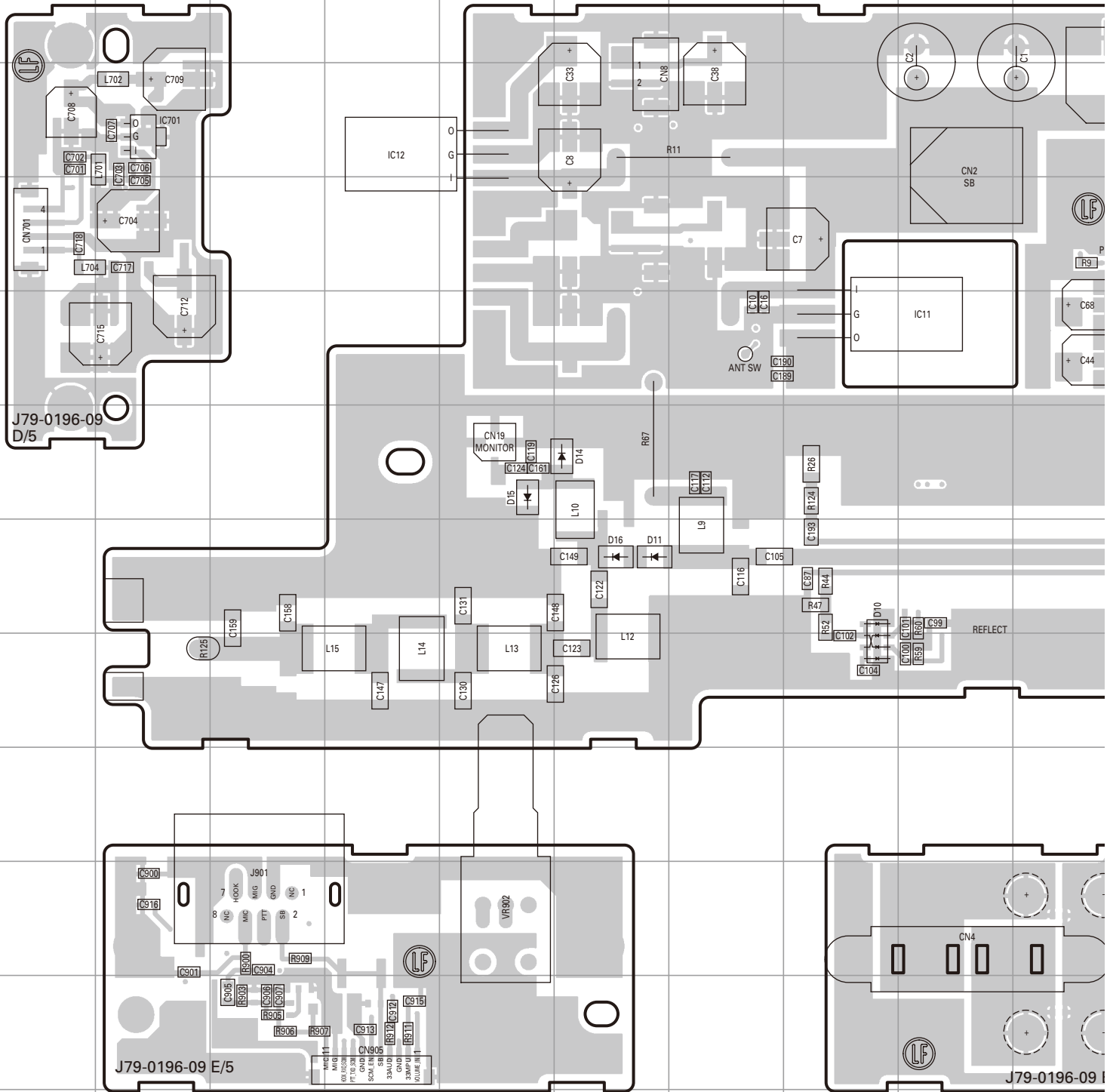
# PC BOARD NXR-700

FINAL UNIT (X45-3810-10) : K  
Foil side view (J79-0148-09)



# NXR-700 PC BOARD

FINAL UNIT (X45-3810-11) : K2  
Component side view (J79-0196-09)



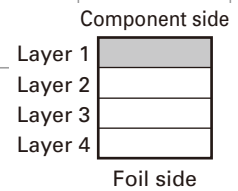
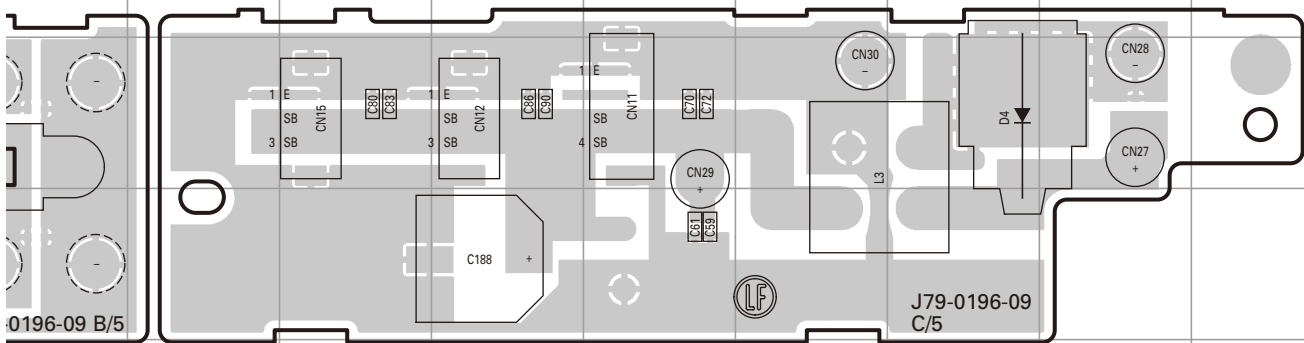
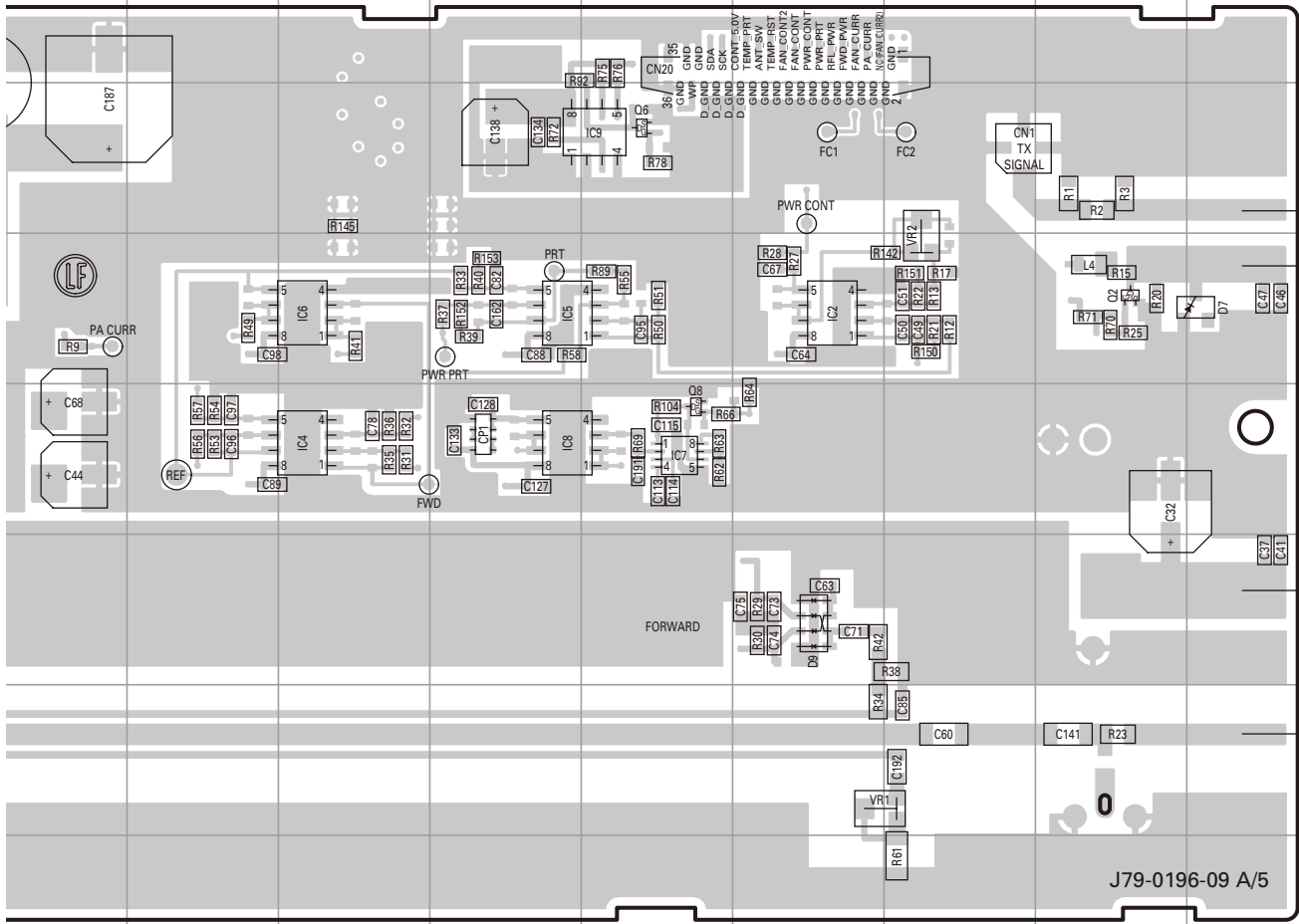
Ref. No.	Address	Ref. No.	Address	Ref. No.	Address	Ref. No.	Address	Ref. No.	Address
IC2	4O	IC8	5M	IC701	3B	D7	4R	D15	6E
IC4	5L	IC9	3N	Q2	4Q	D9	6O	D16	7F
IC5	4M	IC10	5S	Q6	3N	D10	8H		
IC6	4L	IC11	5I	Q8	5N	D11	7F		
IC7	5N	IC12	3D	D4	10P	D14	6F		



# PC BOARD NXR-700

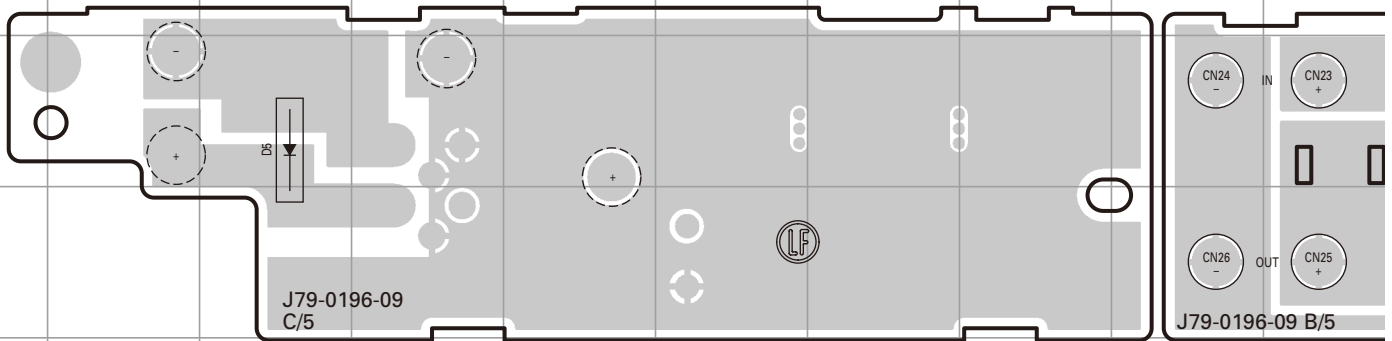
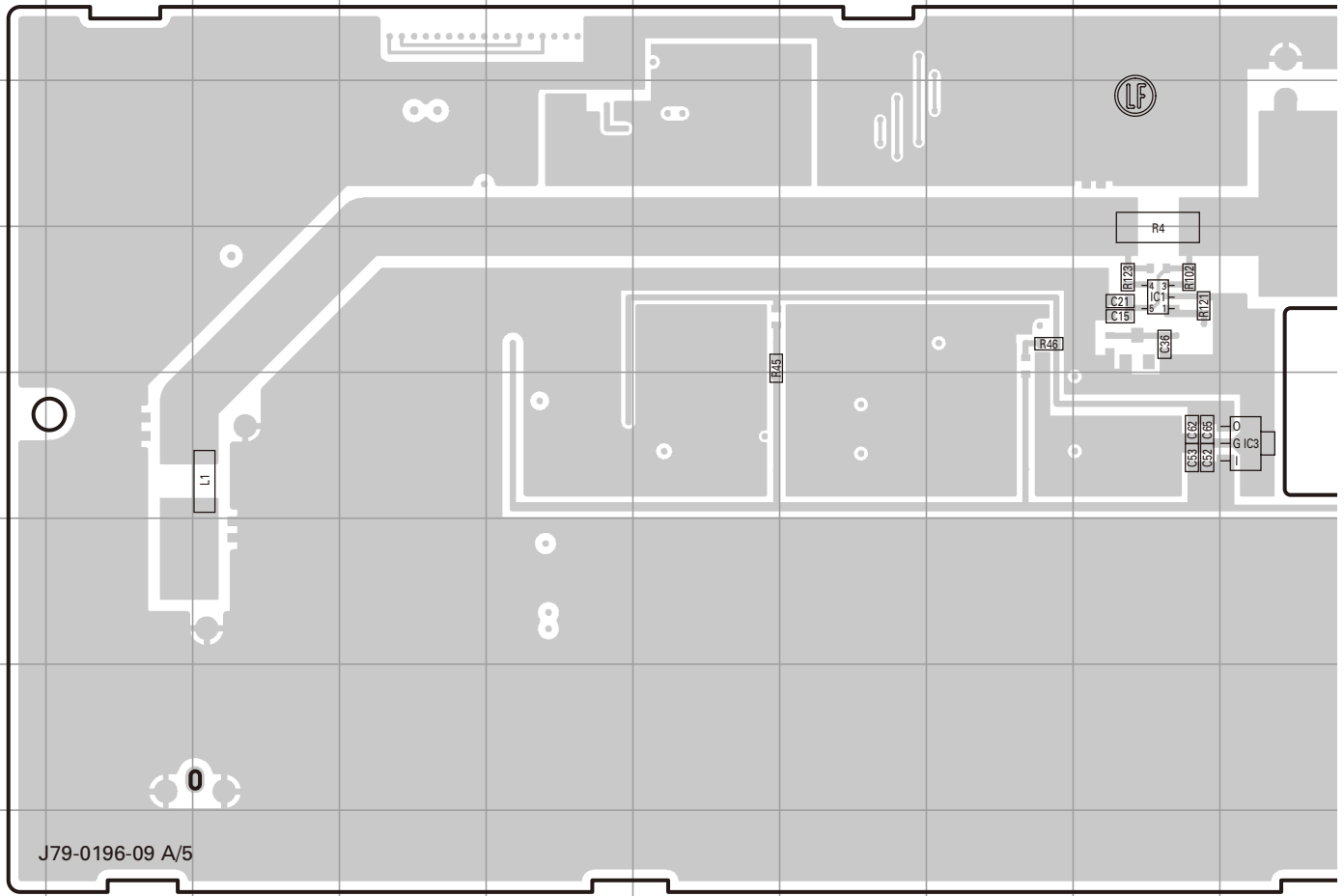
FINAL UNIT (X45-3810-11) : K2

Component side view (J79-0196-09)



# NXR-700 PC BOARD

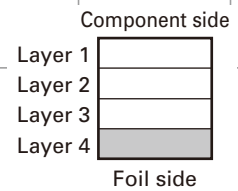
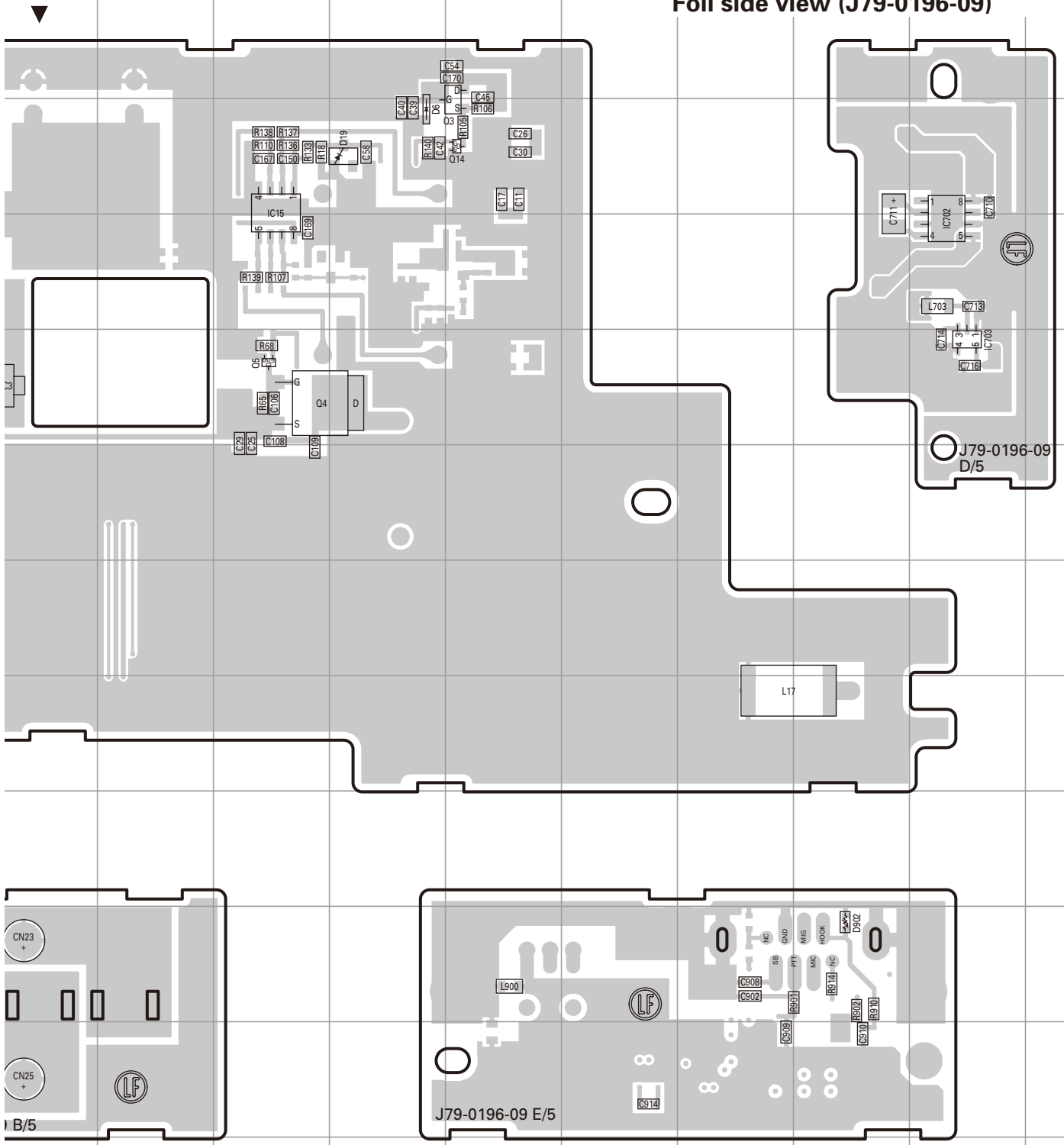
FINAL UNIT (X45-3810-11) : K2  
 Foil side view (J79-0196-09)



Ref. No.	Address	Ref. No.	Address	Ref. No.	Address
IC1	4I	Q3	3N	D6	3M
IC3	5J	Q4	5L	D19	3M
IC15	3L	Q5	5L	D902	10Q
IC702	4R	Q14	3N		
IC703	5R	D5	10C		

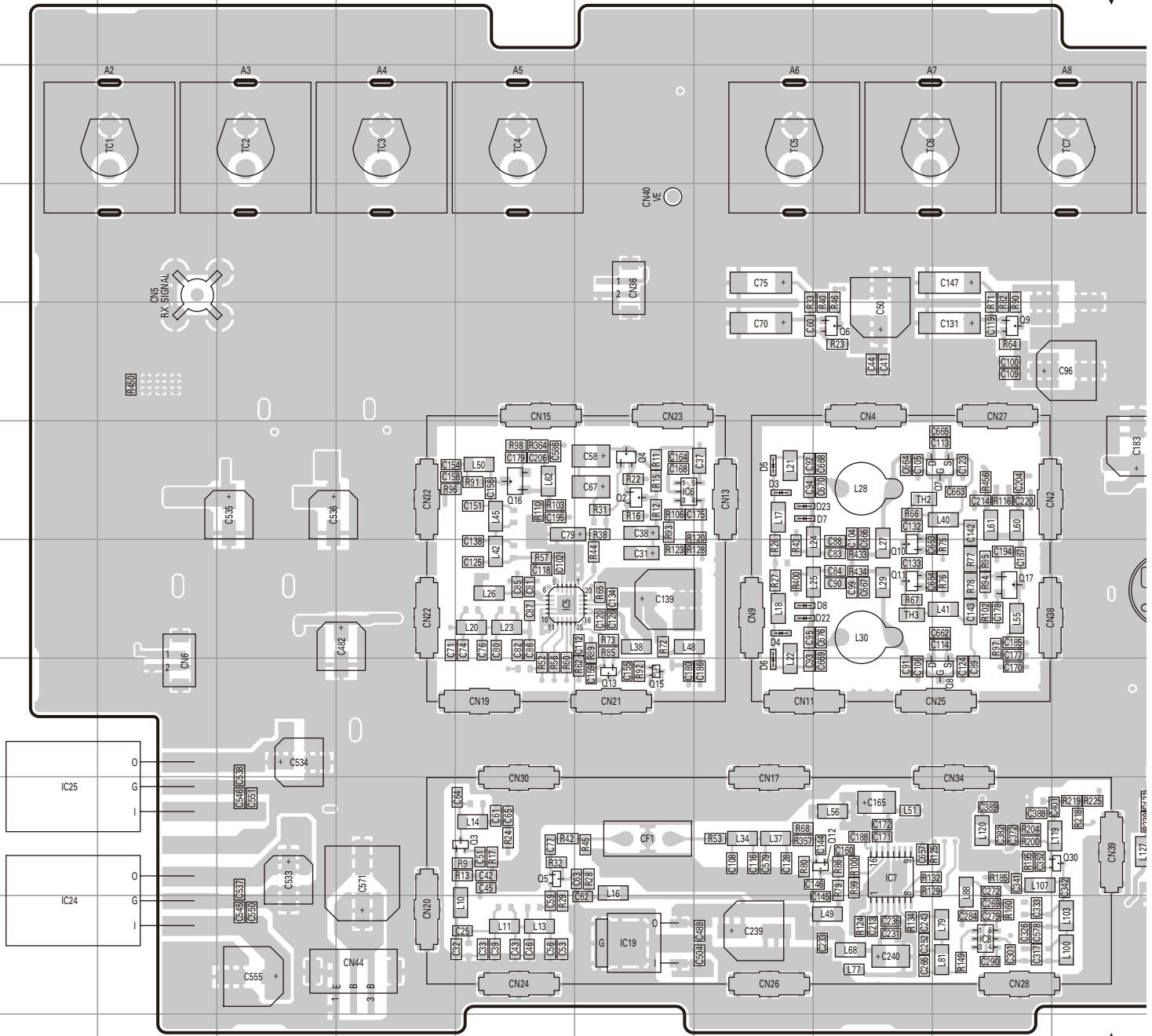
# PC BOARD NXR-700

FINAL UNIT (X45-3810-11) : K2  
Foil side view (J79-0196-09)



# NXR-700 PC BOARD

RX UNIT (X55-3090-XX) -10 : K -11 : K2  
Component side view (J79-0150-09)

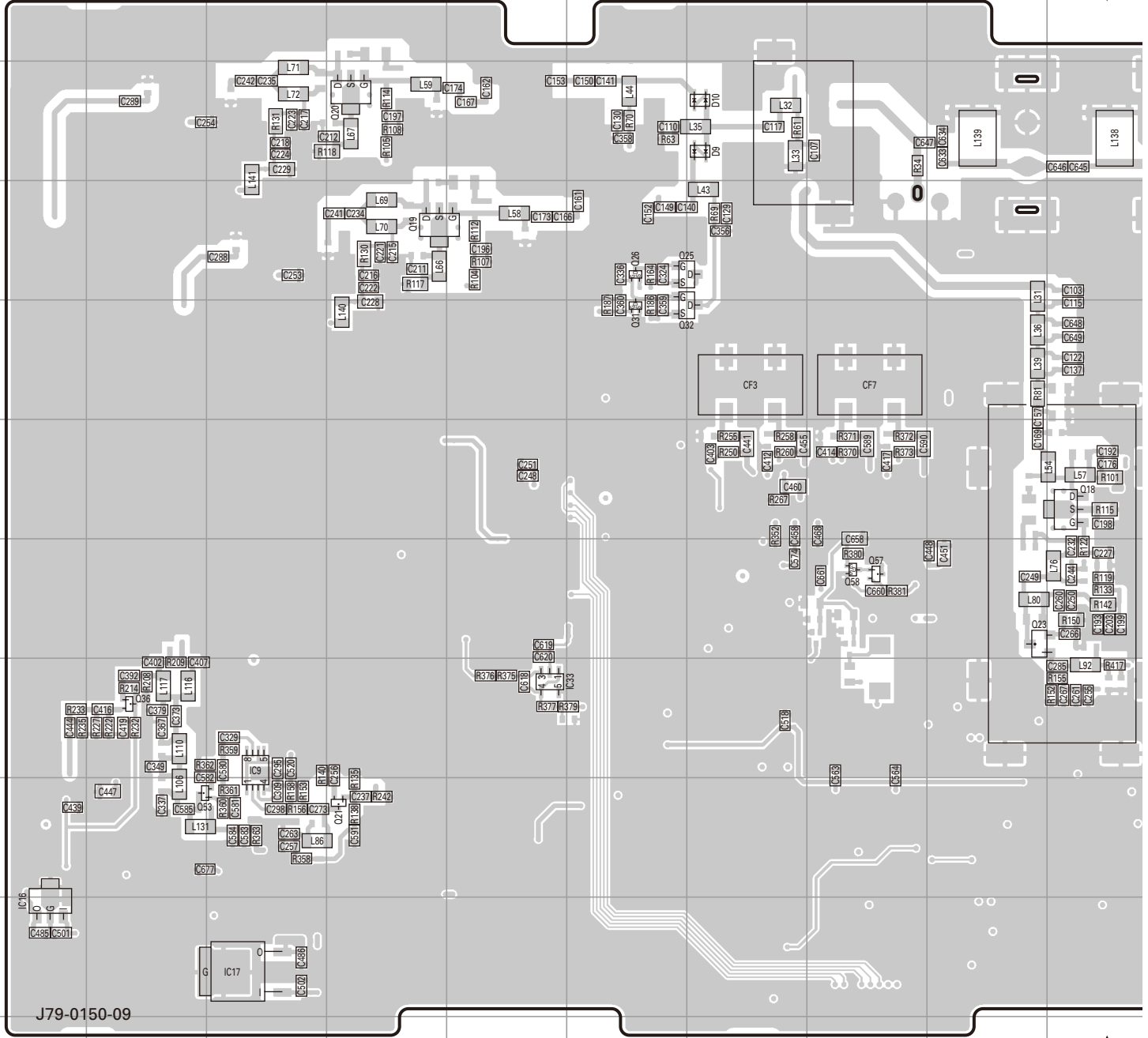


Ref. No.	Address	Ref. No.	Address	Ref. No.	Address	Ref. No.	Address	Ref. No.	Address	Ref. No.	Address	Ref. No.	Address	Ref. No.	Address
IC5	7E	IC15	5K	IC30	8M	Q7	6I	Q17	7I	Q35	6N	D5	6G	D16	6M
IC6	6F	IC19	10F	IC31	9M	Q8	8I	Q22	6O	Q37	7N	D6	8G	D17	8M
IC7	9H	IC20	8K	IC32	8L	Q9	5I	Q24	10O	Q38	6P	D7	6G	D18	8M
IC8	10I	IC22	10Q	IC35	8M	Q10	7H	Q27	9P	Q39	9J	D8	7G	D19	6L
IC10	9Q	IC23	9K	Q2	6F	Q11	7H	Q28	6Q	Q40	7M	D11	8N	D20	6L
IC11	6O	IC24	10A	Q3	9E	Q12	9H	Q29	5S	Q51	10M	D12	9N	D21	9L
IC12	7M	IC25	9A	Q4	6F	Q13	8F	Q30	9J	Q56	10L	D13	7R	D22	7G
IC13	9S	IC28	8N	Q5	9E	Q15	8F	Q33	9P	D3	6G	D14	6R	D23	6G
IC14	9R	IC29	8L	Q6	5H	Q16	6E	Q34	7N	D4	7G	D15	6M		



# NXR-700 PC BOARD

RX UNIT (X55-3090-XX) -10 : K -11 : K2  
Foil side view (J79-0150-09)

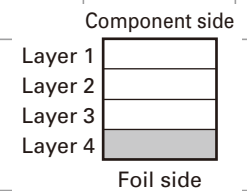
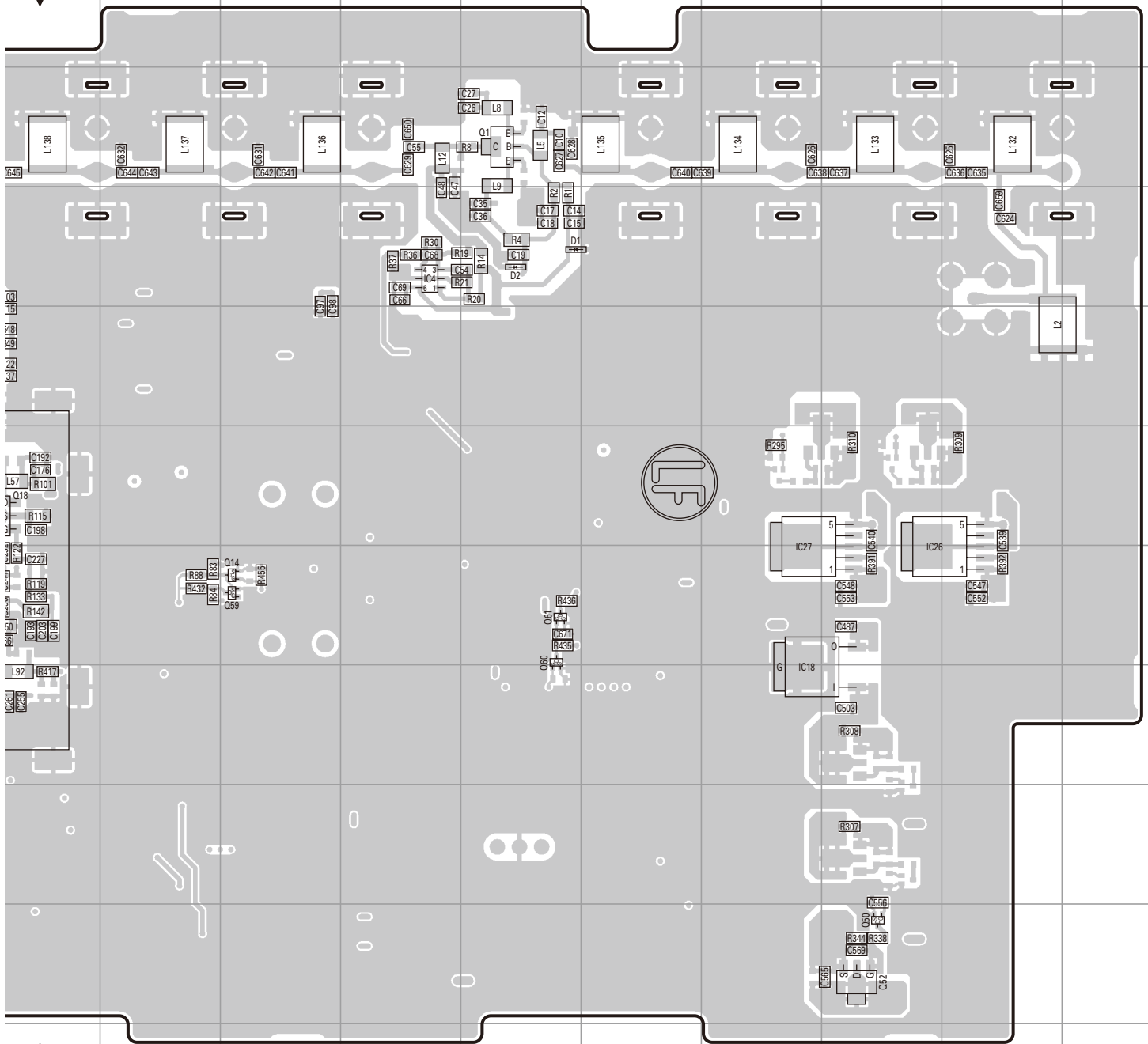


J79-0150-09

Ref. No.	Address	Ref. No.	Address	Ref. No.	Address	Ref. No.	Address
IC4	4M	Q14	7L	Q32	5G	Q61	7N
IC9	8C	Q18	6J	Q36	8B	D1	4N
IC16	10A	Q19	4D	Q50	10Q	D2	4N
IC17	10C	Q20	3D	Q52	10Q	D9	3G
IC18	8P	Q21	9D	Q53	9B	D10	3G
IC26	7Q	Q23	7I	Q57	7H		
IC27	7P	Q25	4G	Q58	7H		
IC33	8E	Q26	4F	Q59	7L		
Q1	3N	Q31	5F	Q60	7N		

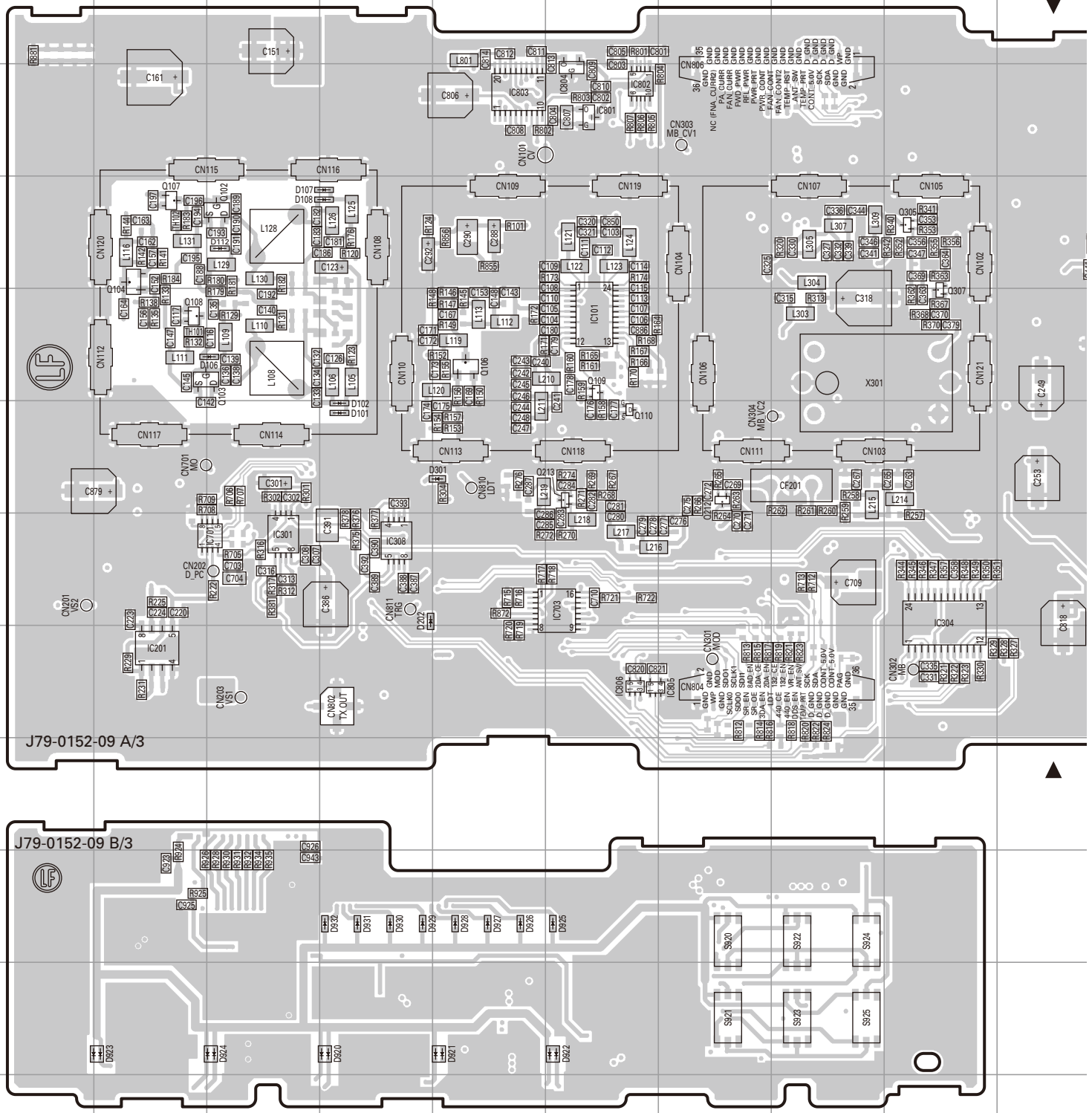
# PC BOARD NXR-700

RX UNIT (X55-3090-XX) -10 : K -11 : K2  
Foil side view (J79-0150-09)



# NXR-700 PC BOARD

**TX UNIT (X56-3110-XX) -10 : K -11 : K2**  
**Component side view (J79-0152-09)**

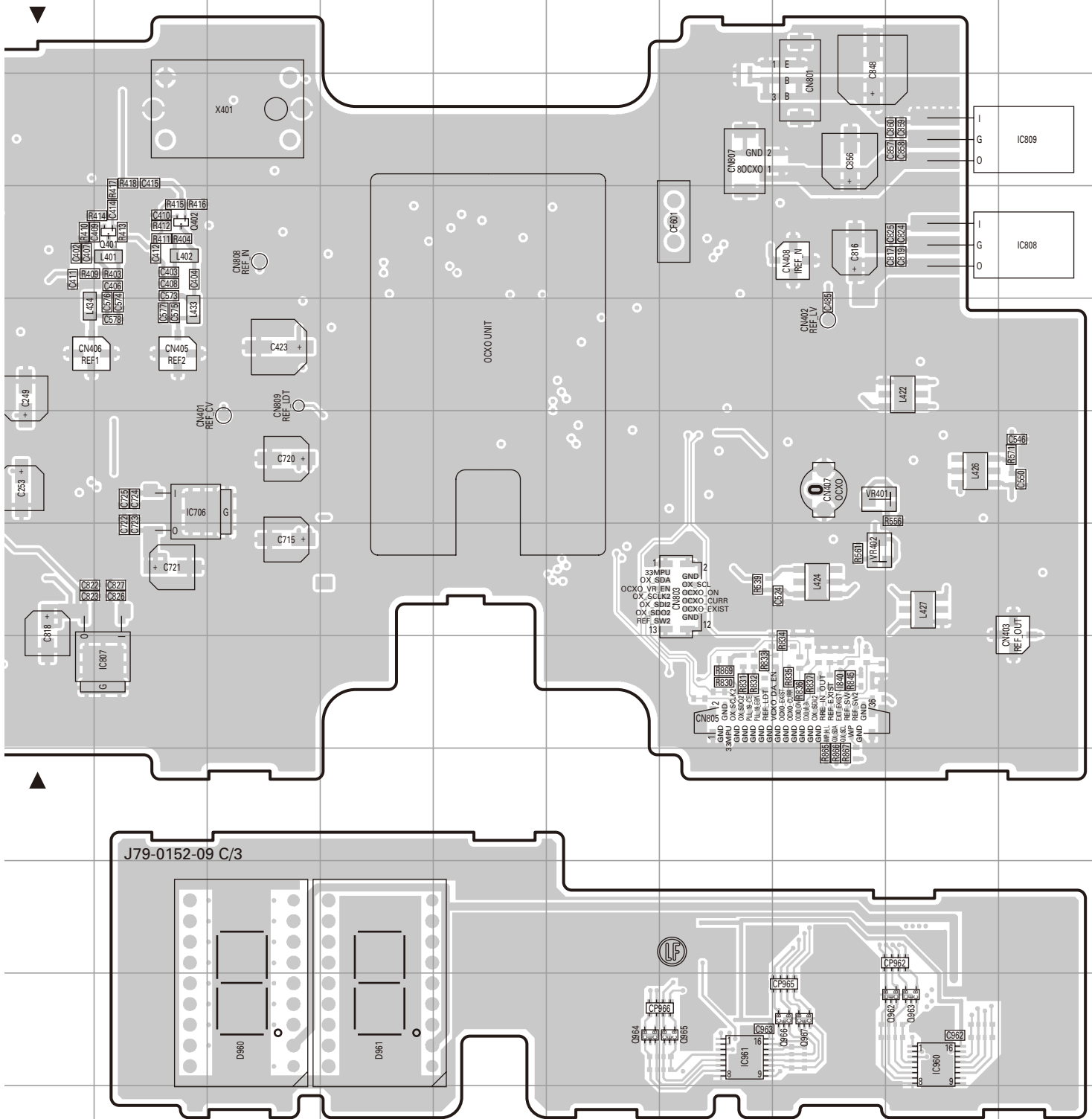


Ref. No.	Address	Ref. No.	Address	Ref. No.	Address	Ref. No.	Address	Ref. No.	Address	Ref. No.	Address	Ref. No.	Address	Ref. No.	Address
IC101	5F	IC706	6K	IC807	8K	Q104	4B	Q213	6F	Q964	11O	D107	4D	D922	11F
IC201	8B	IC801	3F	IC808	4S	Q106	5E	Q305	4I	Q965	11P	D108	4D	D923	11B
IC301	7C	IC802	3F	IC809	3S	Q107	4B	Q307	5I	Q966	11Q	D112	4C	D924	11C
IC304	7I	IC803	3E	IC960	11R	Q108	5B	Q401	4K	Q967	11Q	D202	7D	D925	10F
IC308	7D	IC804	3F	IC961	11P	Q109	5F	Q402	4K	D101	6D	D301	6E	D926	10E
IC701	7C	IC805	8F	Q102	4C	Q110	6F	Q962	11R	D102	6D	D920	11D	D927	10E
IC703	7F	IC806	8F	Q103	5C	Q212	6G	Q963	11R	D106	5C	D921	11E	D928	10E

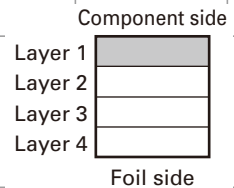


# PC BOARD NXR-700

TX UNIT (X56-3110-XX) -10 : K -11 : K2  
Component side view (J79-0152-09)

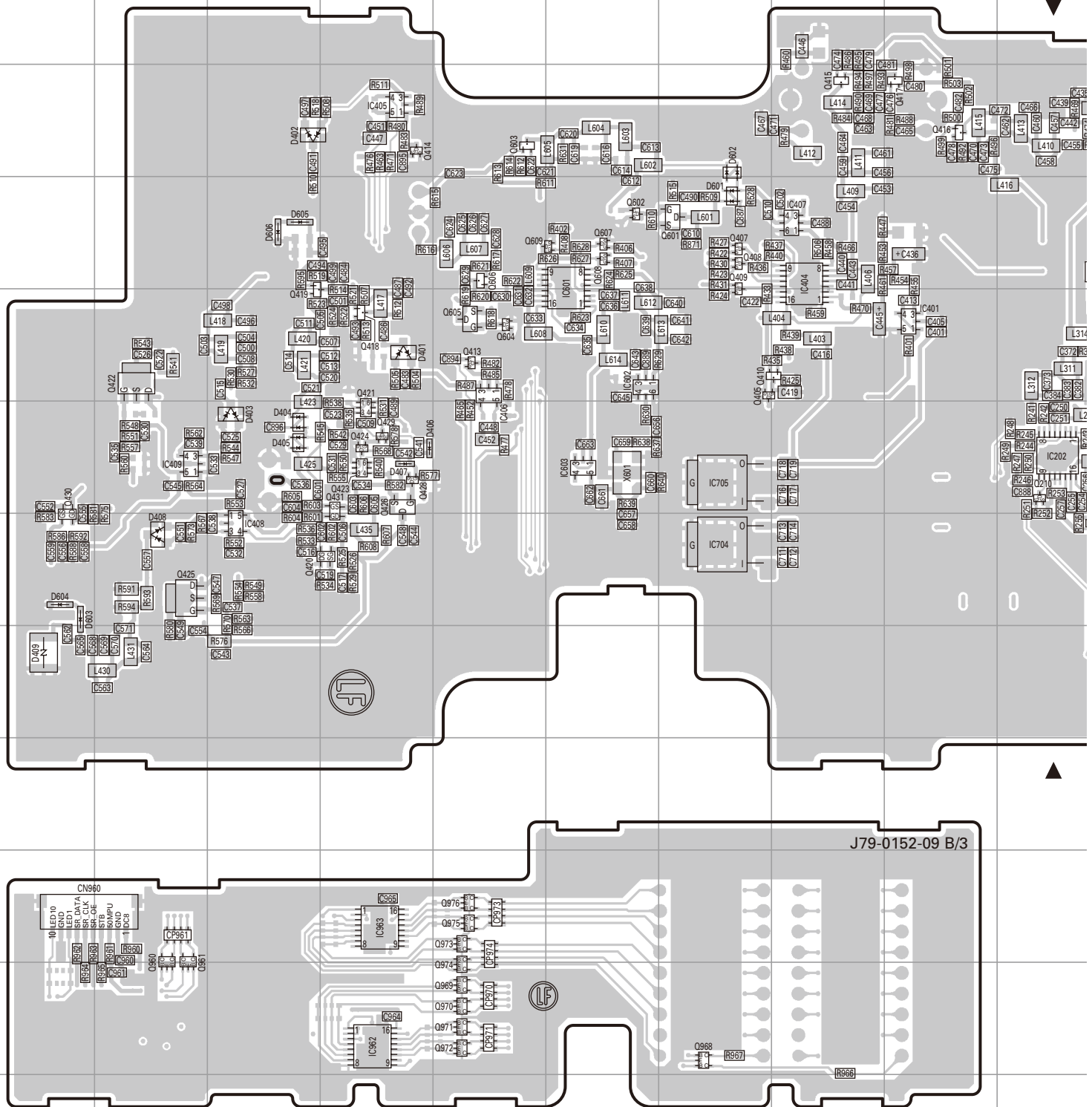


No.	Address
29	10D
30	10D
31	10D
32	10D
60	11L
61	11M



# NXR-700 PC BOARD

**TX UNIT (X56-3110-XX) -10 : K -11 : K2**  
**Foil side view (J79-0152-09)**

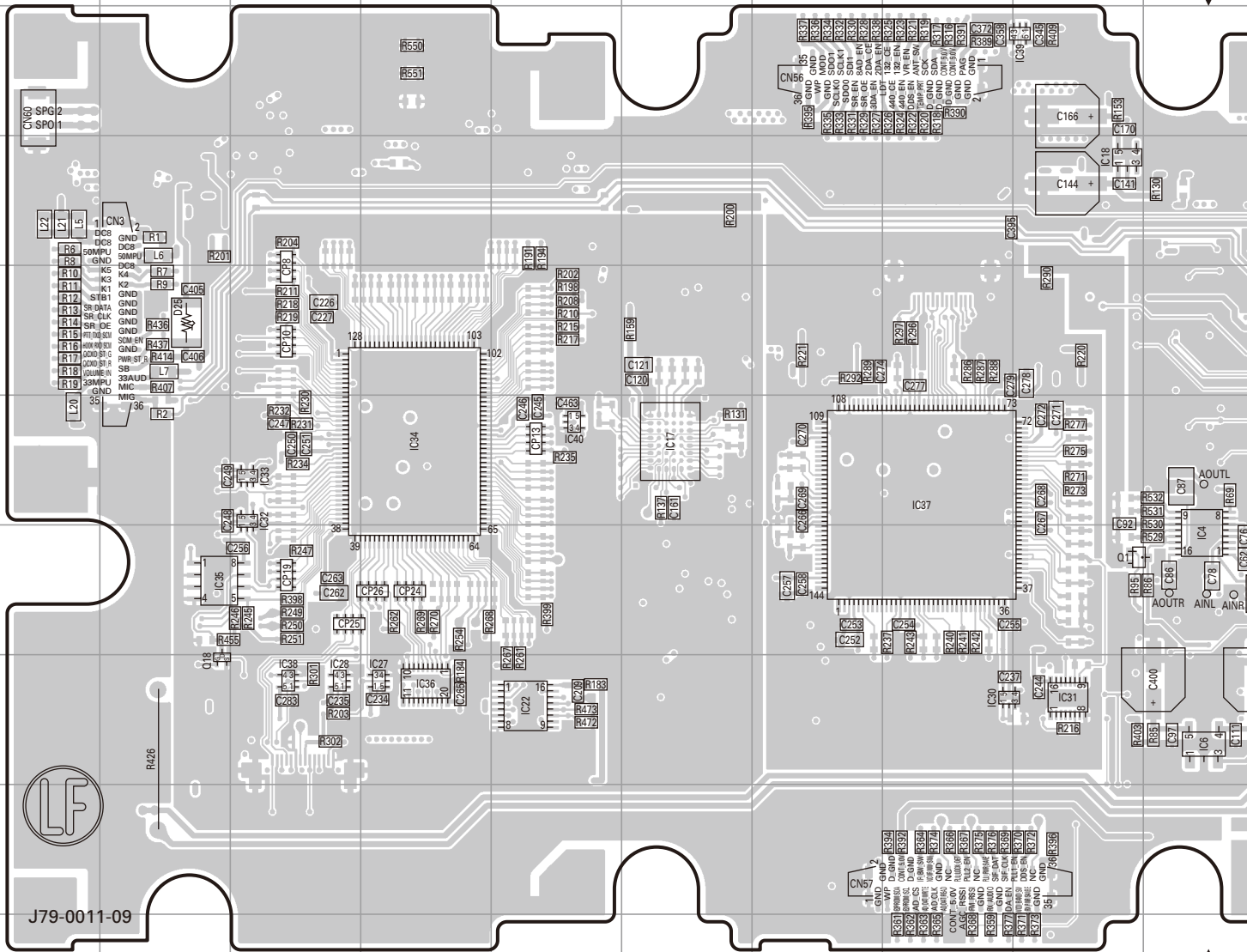


Ref. No.	Address	Ref. No.	Address	Ref. No.	Address	Ref. No.	Address	Ref. No.	Address	Ref. No.	Address	Ref. No.	Address	Ref. No.	Address	Ref. No.	Address
IC102	4O	IC404	4H	IC702	7L	IC924	11Q	Q204	7P	Q405	5G	Q416	3I	Q425	7B	Q604	5E
IC104	2Q	IC405	3D	IC704	7G	IC925	11P	Q205	8P	Q407	4G	Q417	3I	Q426	6D	Q605	5E
IC202	6J	IC406	5E	IC705	6G	IC926	11L	Q206	7P	Q408	4G	Q418	5D	Q428	6D	Q606	4E
IC302	4M	IC407	4H	IC810	6R	IC962	11D	Q210	6J	Q409	4G	Q419	5C	Q429	6D	Q607	4F
IC303	4L	IC408	7C	IC811	6R	IC963	10D	Q211	7J	Q410	5H	Q420	7D	Q430	6A	Q608	4F
IC305	5M	IC409	6B	IC920	11O	Q101	4R	Q301	5L	Q412	3J	Q421	6D	Q431	6D	Q609	4F
IC306	4M	IC601	4F	IC921	11O	Q105	3R	Q302	6O	Q413	5E	Q422	5B	Q601	4G	Q701	8L
IC307	5K	IC602	5F	IC922	11O	Q202	7S	Q303	4L	Q414	3D	Q423	6D	Q602	4F	Q702	4R
IC401	5H	IC603	6F	IC923	11N	Q203	8Q	Q304	4K	Q415	3H	Q424	6D	Q603	3E	Q920	11N



# NXR-700 PC BOARD

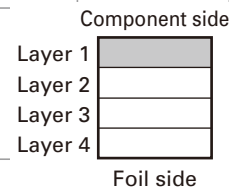
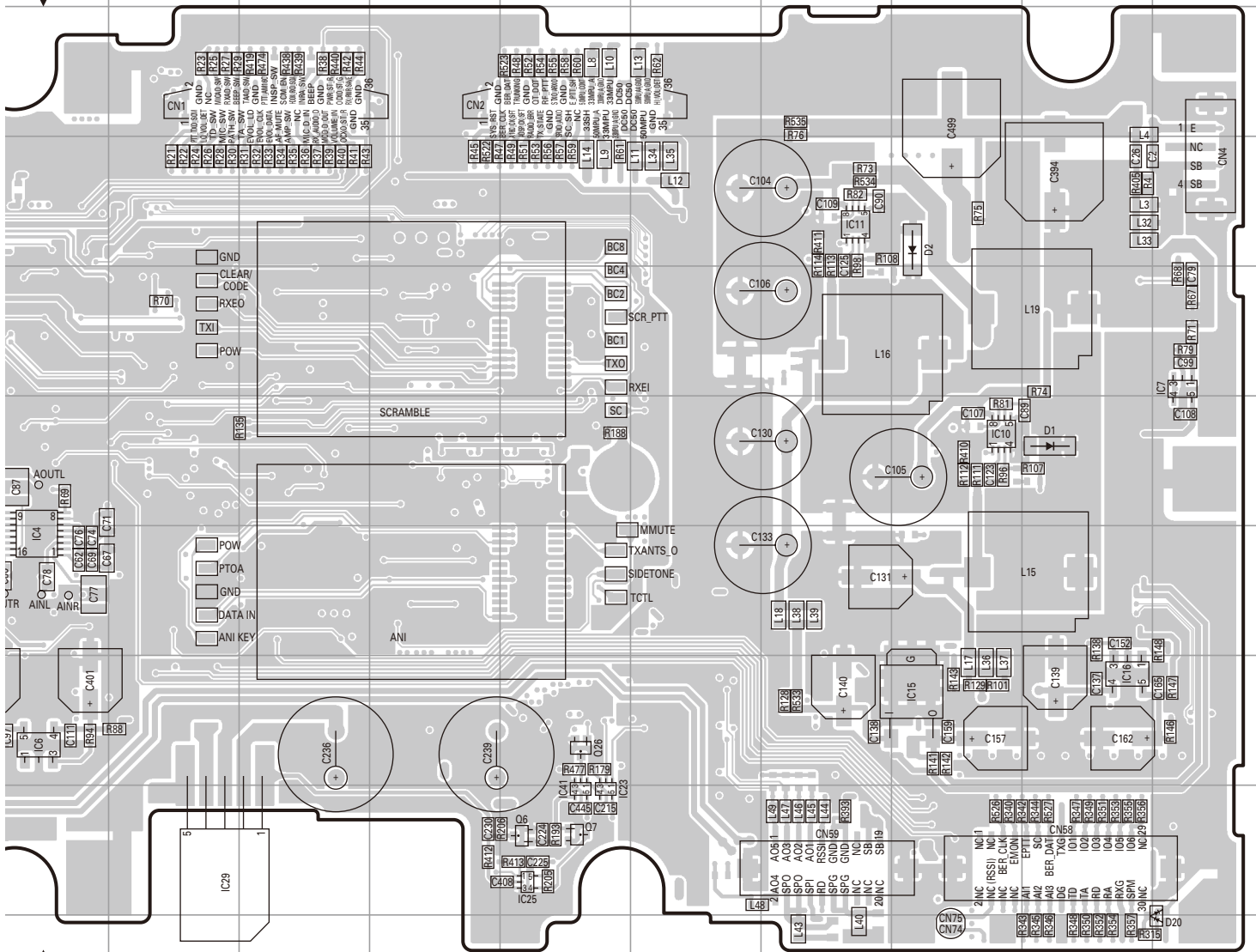
**CONTROL UNIT (X53-4130-XX) -10 : K,K2 -11 : For service  
Component side view (J79-0011-09)**



Ref. No.	Address	Ref. No.	Address	Ref. No.	Address	Ref. No.	Address
IC4	7J	IC22	8E	IC33	6C	Q1	7I
IC6	8J	IC23	9N	IC34	6D	Q6	9N
IC7	5S	IC25	9N	IC35	7B	Q7	9N
IC10	6Q	IC27	8D	IC36	8D	Q18	8B
IC11	4P	IC28	8C	IC37	6H	Q26	8N
IC15	8Q	IC29	9K	IC38	8C	D1	6R
IC16	8R	IC30	8H	IC39	3I	D2	6Q
IC17	6F	IC31	8I	IC40	6E	D20	10S
IC18	4I	IC32	6C	IC41	9N	D25	5B

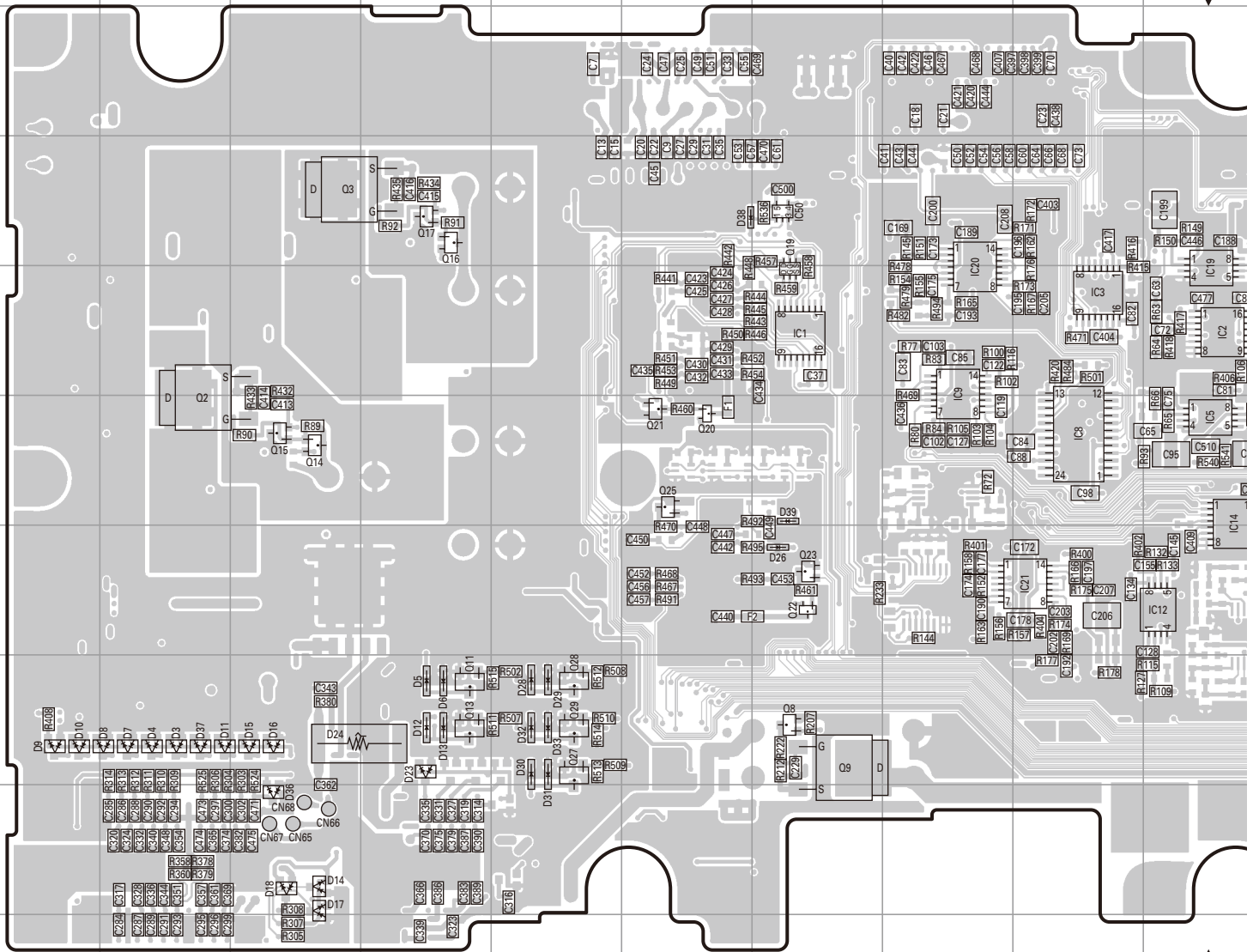
# PC BOARD NXR-700

**CONTROL UNIT (X53-4130-XX) -10 : K,K2 -11 : For service  
Component side view (J79-0011-09)**



# NXR-700 PC BOARD

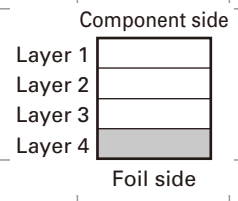
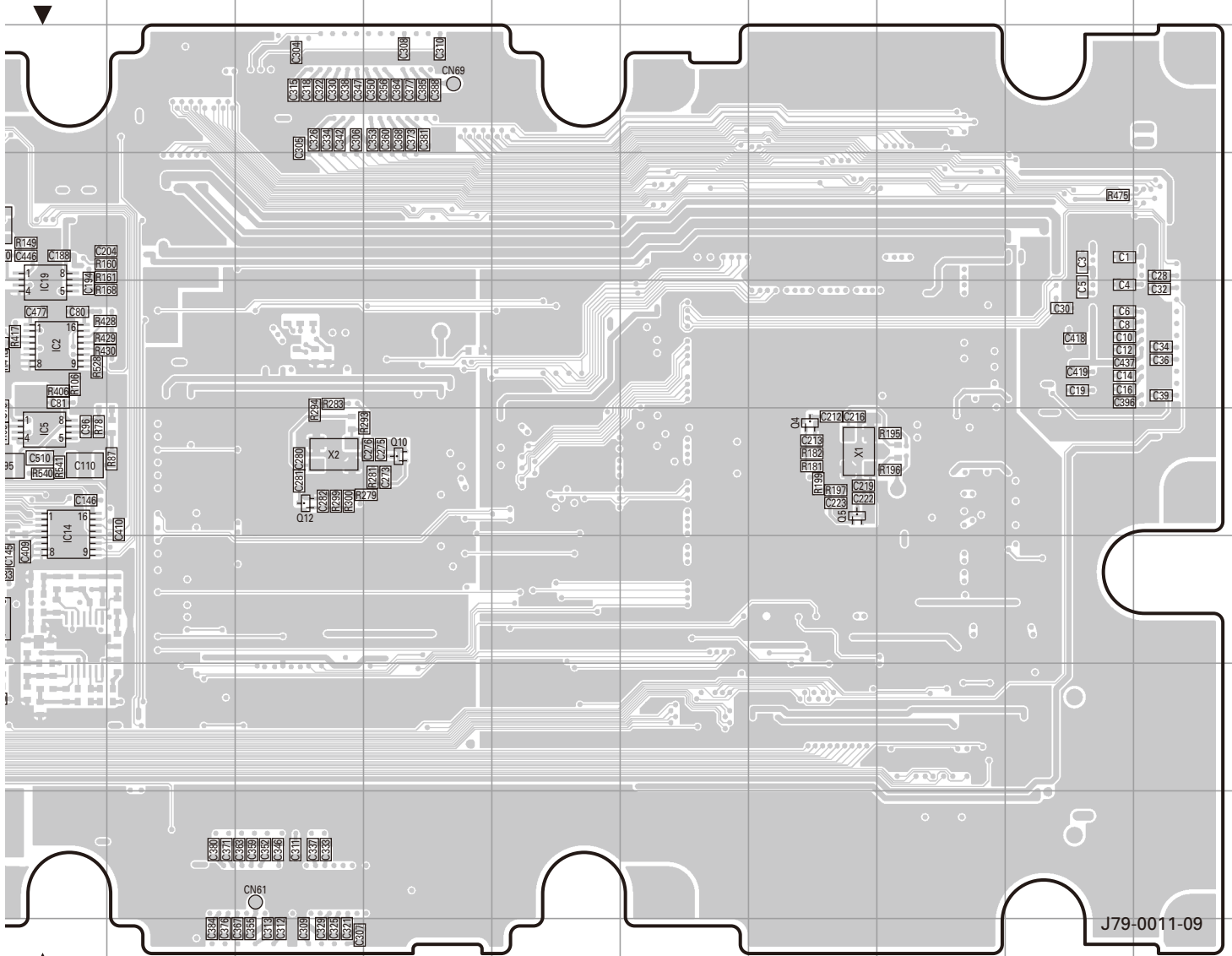
**CONTROL UNIT (X53-4130-XX) -10 : K,K2 -11 : For service  
Foil side view (J79-0011-09)**



Ref. No.	Address	Ref. No.	Address	Ref. No.	Address	Ref. No.	Address	Ref. No.	Address
IC1	5G	Q3	4C	Q19	5G	D7	8B	D24	8C
IC2	5J	Q4	6P	Q20	6F	D8	8B	D26	7G
IC3	5I	Q5	6P	Q21	6F	D9	8A	D28	8E
IC5	6J	Q8	8G	Q22	7G	D10	8A	D29	8E
IC8	6I	Q9	8G	Q23	7G	D11	8B	D30	8E
IC9	5H	Q10	6M	Q25	6F	D12	8D	D31	8E
IC12	7J	Q11	8D	Q27	8E	D13	8D	D32	8E
IC14	6J	Q12	6L	Q28	8E	D14	9C	D33	8E
IC19	5J	Q13	8D	Q29	8E	D15	8C	D36	9C
IC20	5H	Q14	6C	D3	8B	D16	8C	D37	8B
IC21	7I	Q15	6C	D4	8B	D17	9C	D38	4F
IC50	4G	Q16	4D	D5	8D	D18	9C	D39	6G
Q2	6B	Q17	4D	D6	8D	D23	8D		

# PC BOARD NXR-700

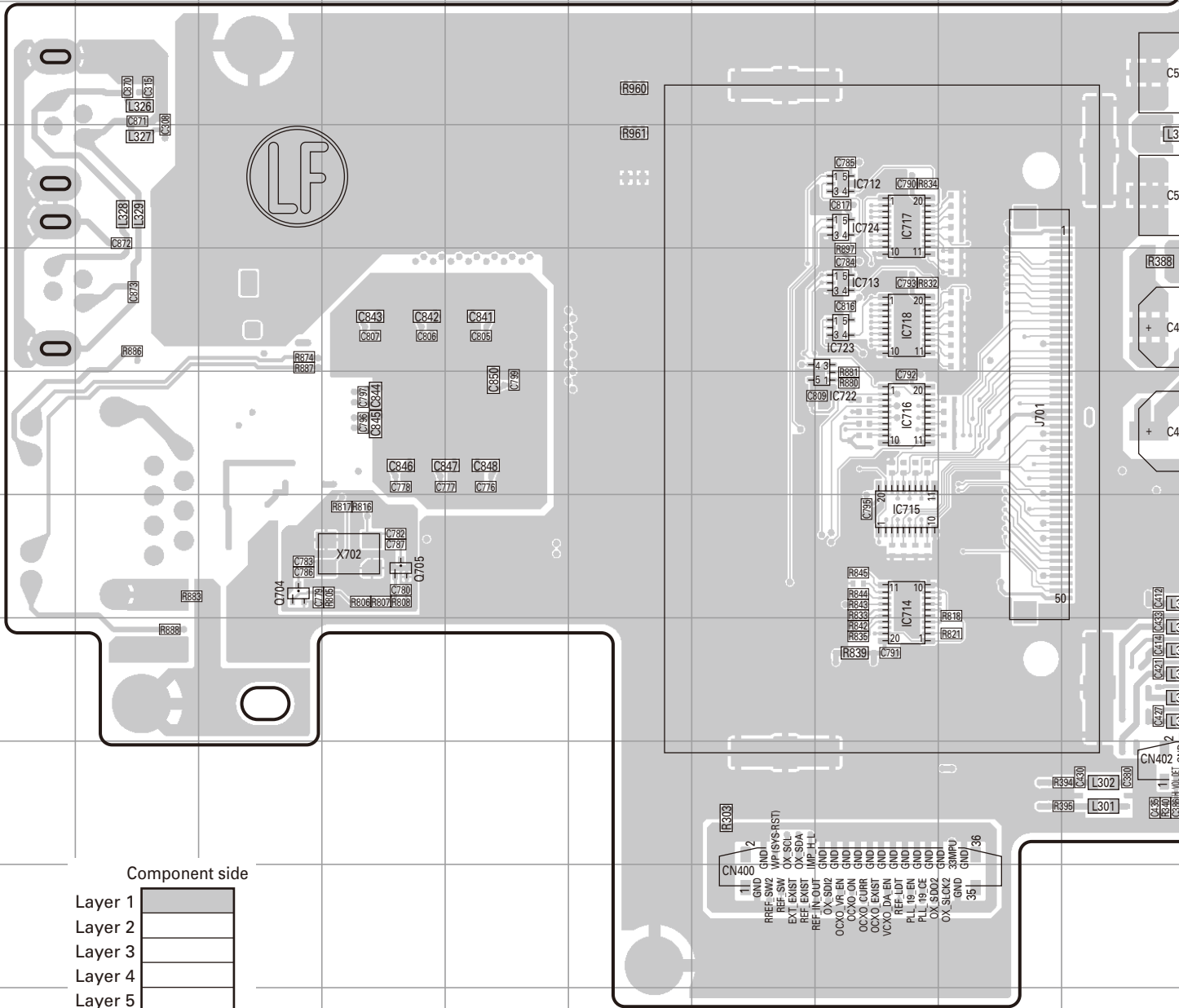
**CONTROL UNIT (X53-4130-XX) -10 : K,K2 -11 : For service**  
**Foil side view (J79-0011-09)**



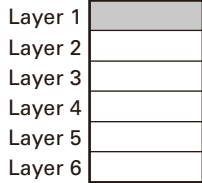




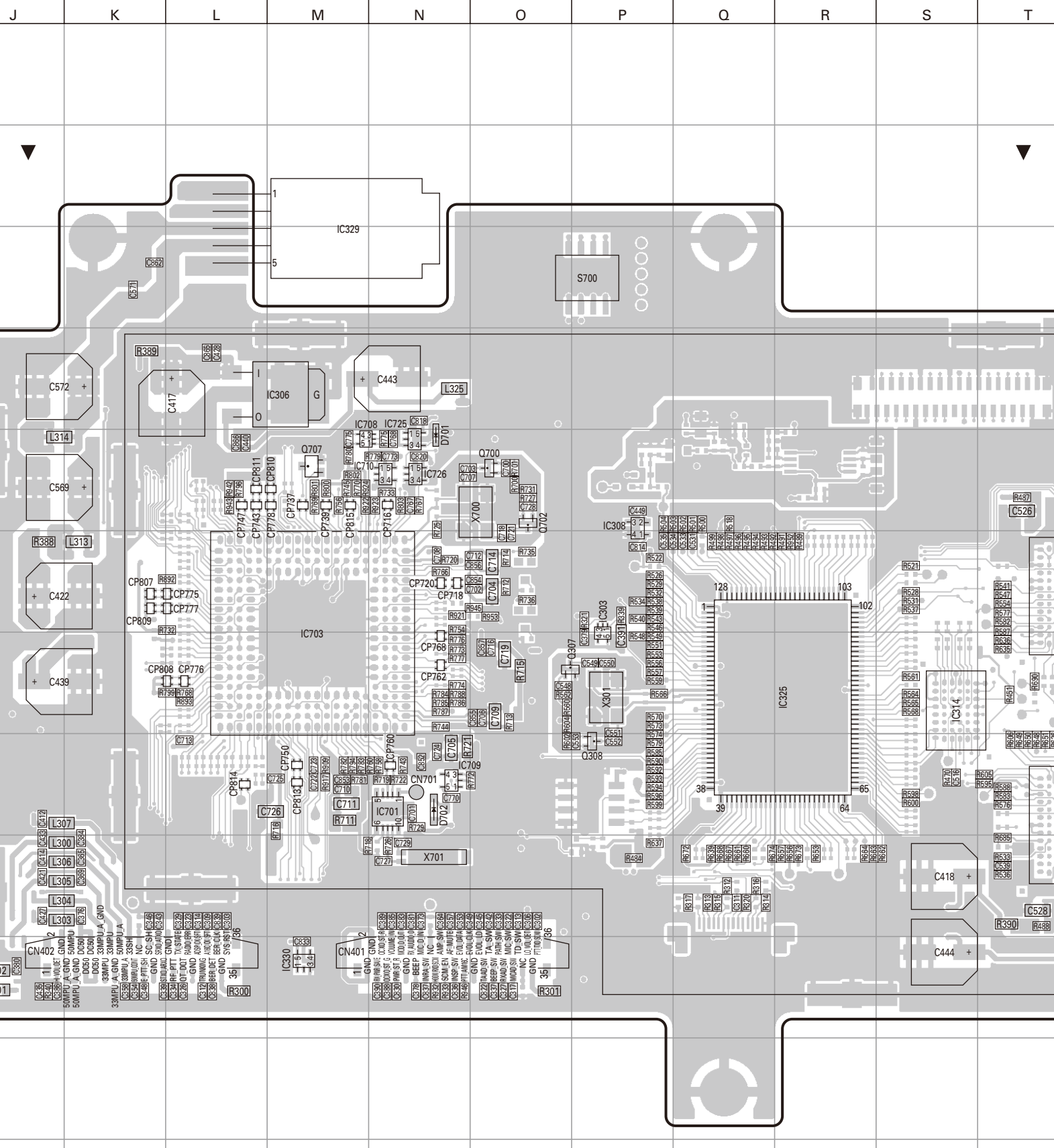
CONTROL UNIT (X53-4140-XX) -10 : K,K2 -11 : For service  
Component side view (J79-0012-09)



Component side



Foil side



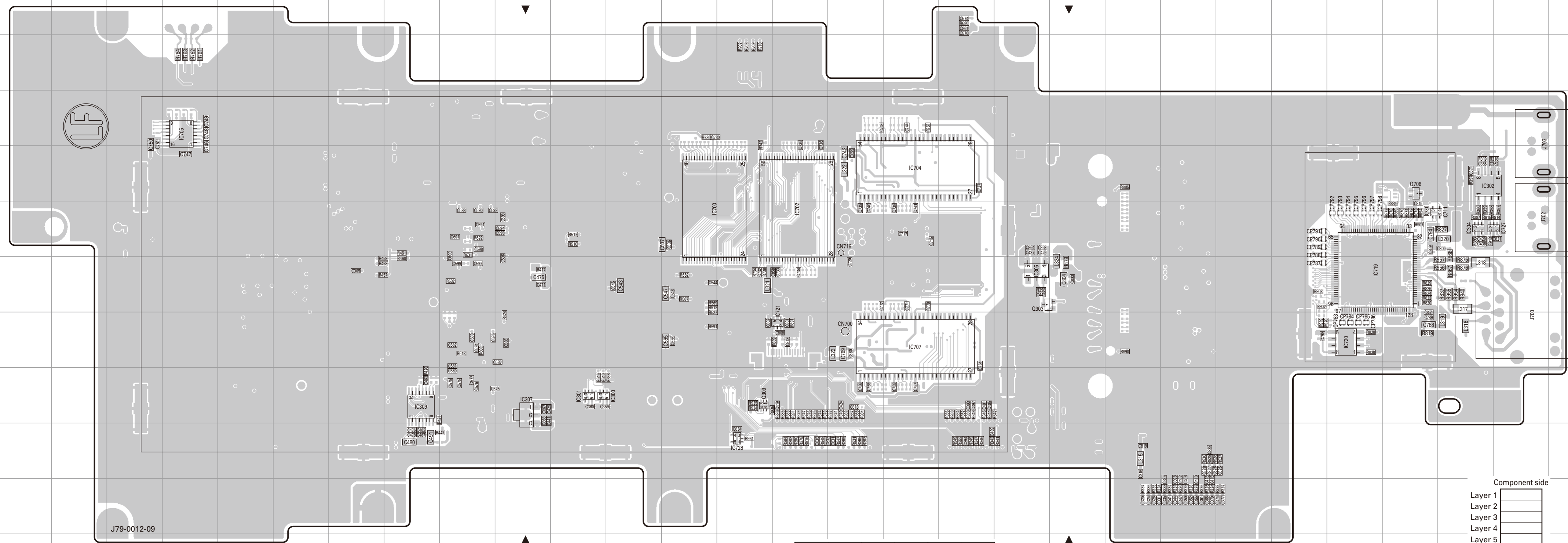
Ref. No.	Address	Ref. No.	Address	Ref. No.	Address	Ref. No.	Address	Ref. No.	Address	Ref. No.	Address	Ref. No.	Address
IC303	7P	IC318	7X	IC327	7V	IC710	5N	IC718	6H	Q301	6AA	Q702	5O
IC306	4M	IC319	7X	IC329	3M	IC712	5H	IC722	7H	Q302	6AA	Q704	8C
IC308	5P	IC320	7X	IC330	10M	IC713	6H	IC723	6H	Q304	9V	Q705	8D
IC312	5U	IC321	7Y	IC701	8N	IC714	8H	IC724	5H	Q305	8V	Q707	5M
IC313	8V	IC323	6U	IC703	7M	IC715	8H	IC725	5N	Q307	7O	D300	6AA
IC314	7S	IC324	8U	IC708	5M	IC716	7H	IC726	5N	Q308	8P	D701	5N
IC315	8X	IC325	7R	IC709	8N	IC717	5H	Q300	9Y	Q700	5O	D702	8N



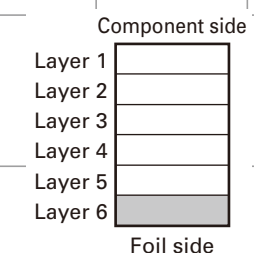
# NXR-700 PC BOARD

CONTROL UNIT (X53-4140-XX) -10 : K,K2 -11 : For service  
Foil side view (J79-0012-09)

CONTROL UNIT (X53-4140-XX) -10 : K,K2 -11 : For service  
Foil side view (J79-0012-09)



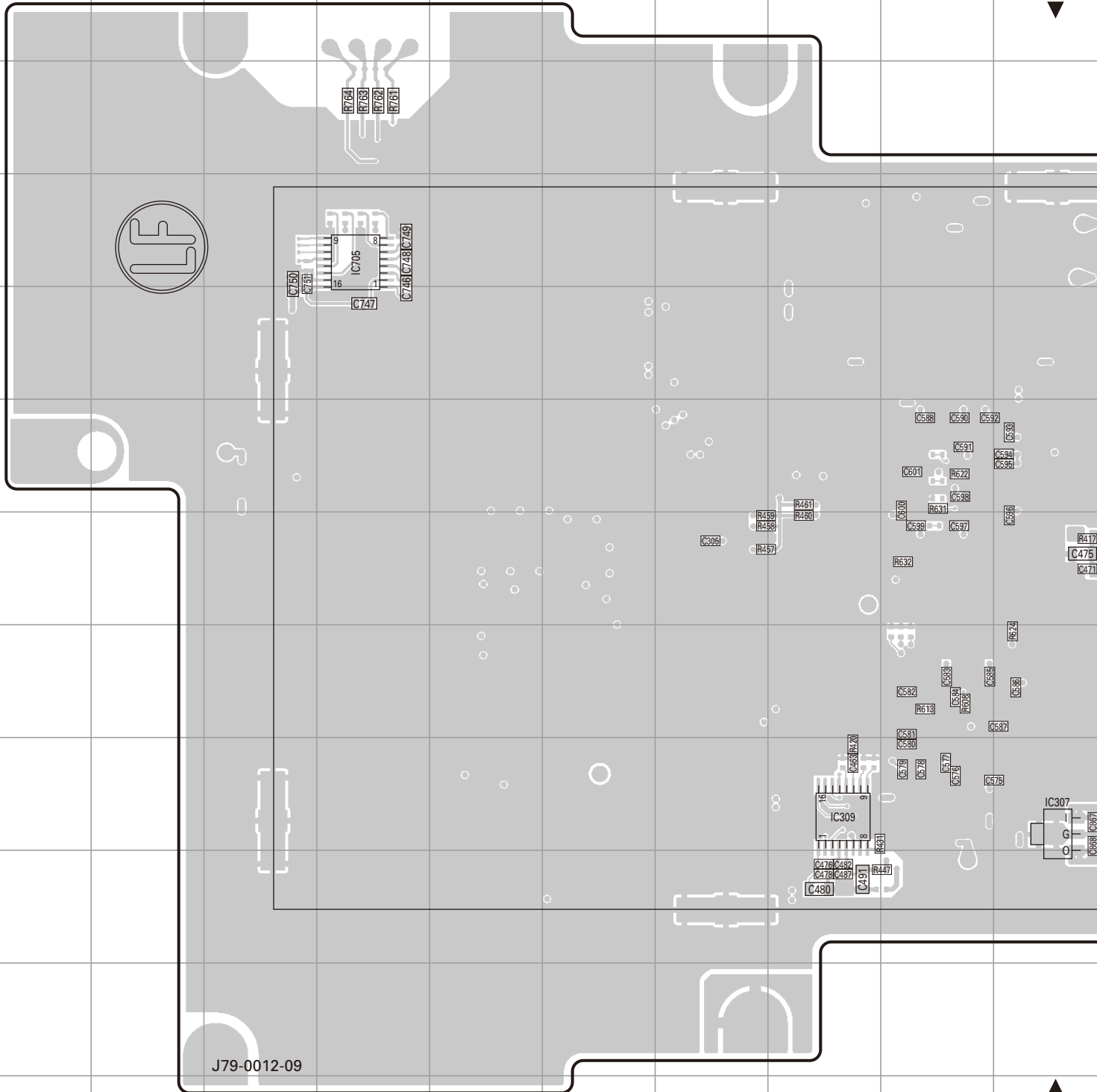
Ref. No.	Address	Ref. No.	Address	Ref. No.	Address
IC300	9K	IC700	6M	IC720	8Y
IC301	9K	IC702	6O	IC721	8O
IC302	5AA	IC704	5Q	IC727	6AB
IC304	6AA	IC705	4D	IC728	10N
IC305	7S	IC707	8Q	Q303	7S
IC307	9J	IC711	6Z	Q309	9N
IC309	9H	IC719	7Y	Q706	5Z

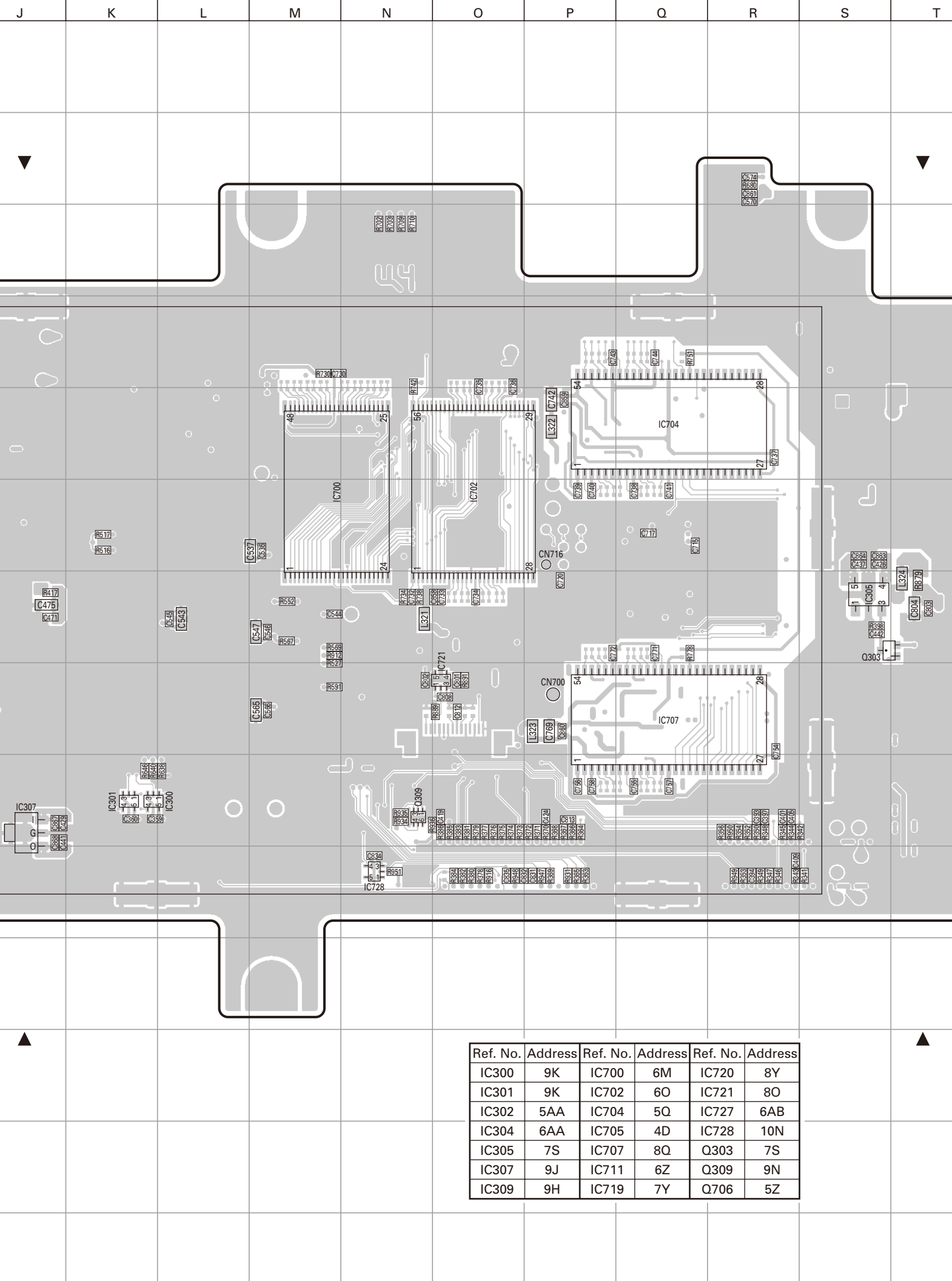


J79-0012-09

# NXR-700 PC BOARD

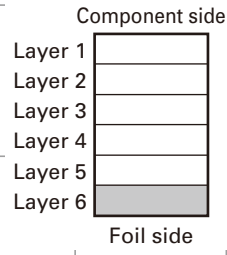
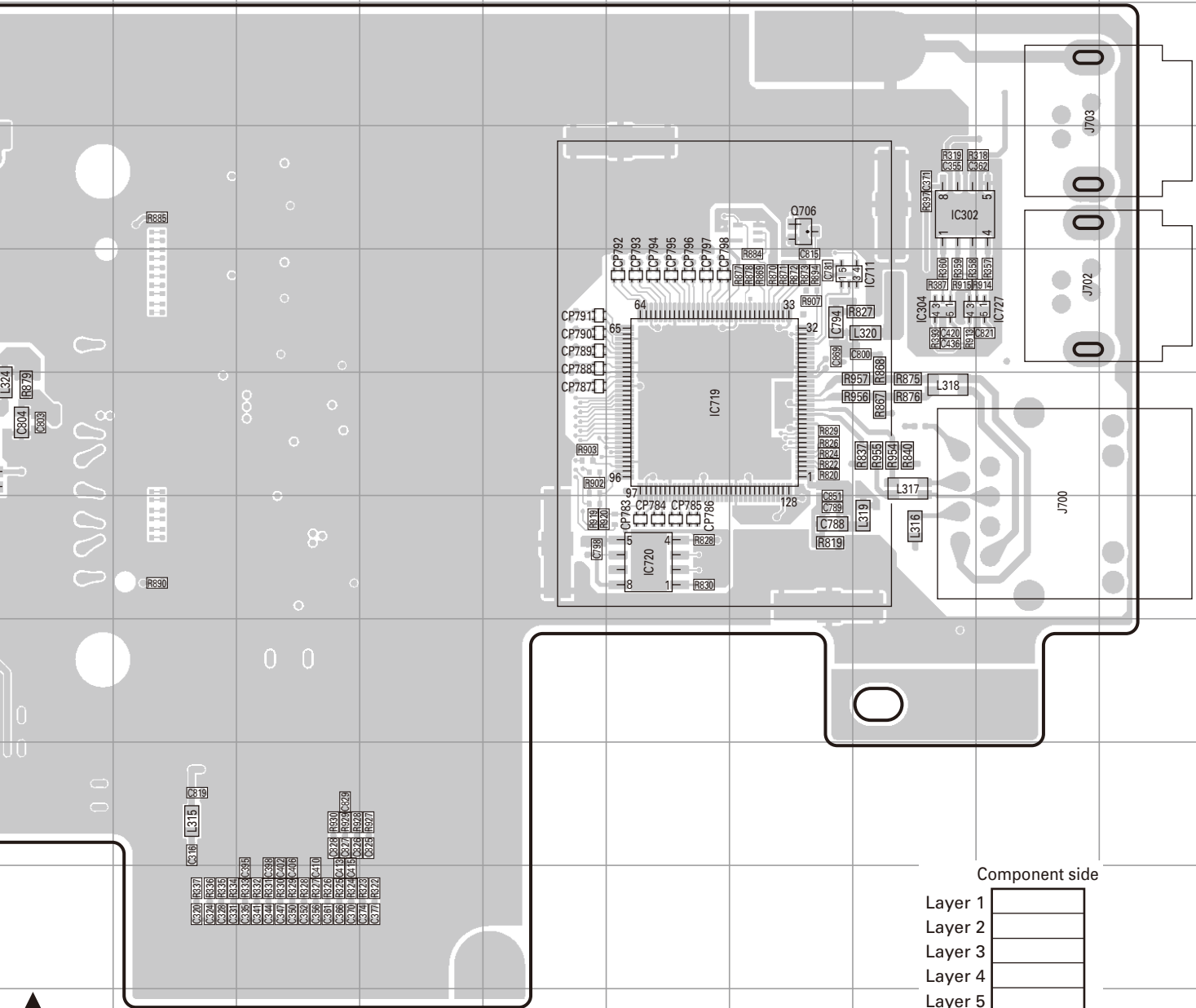
CONTROL UNIT (X53-4140-XX) -10 : K,K2 -11 : For service  
Foil side view (J79-0012-09)

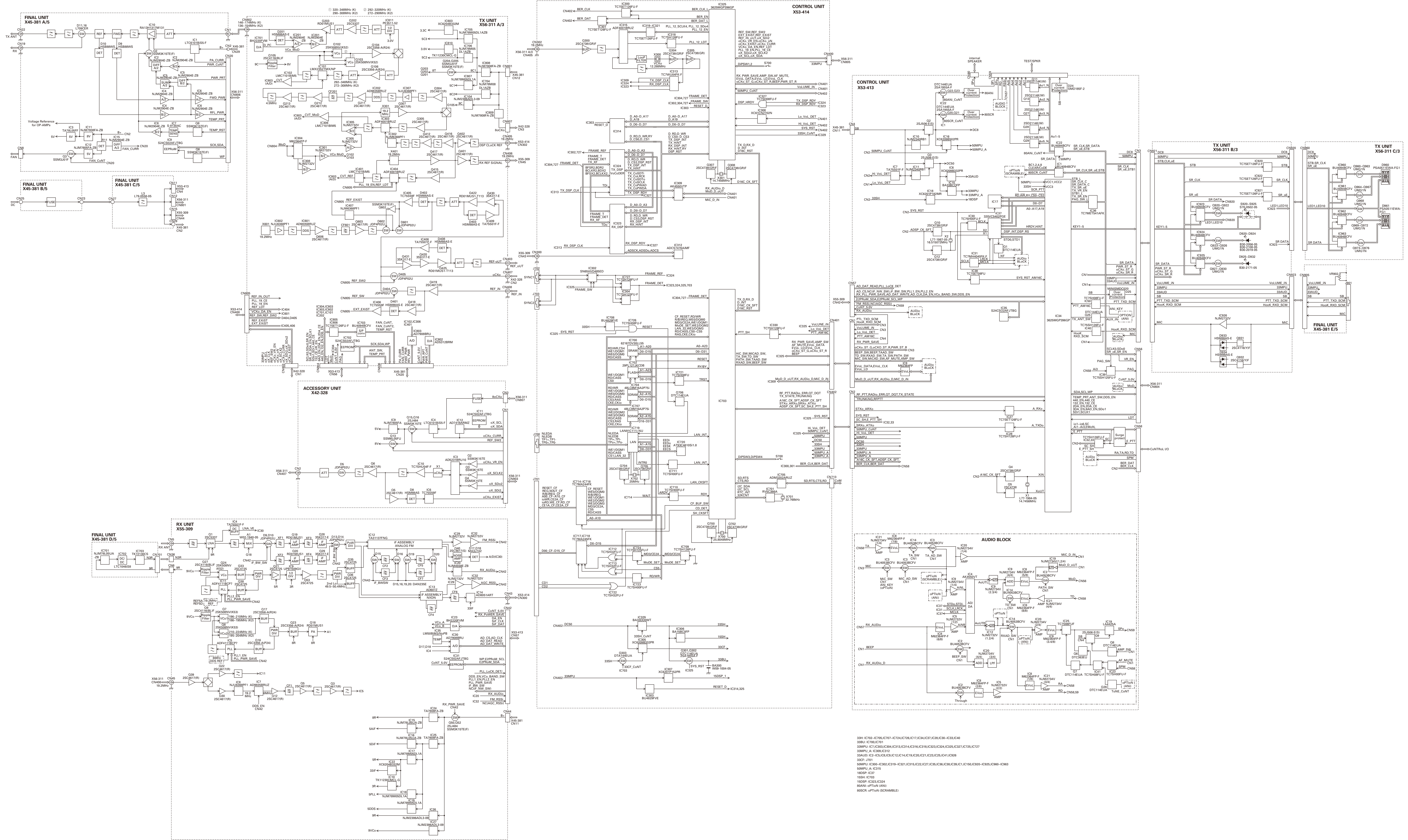




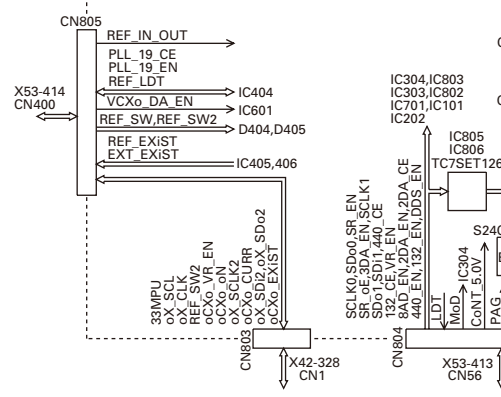
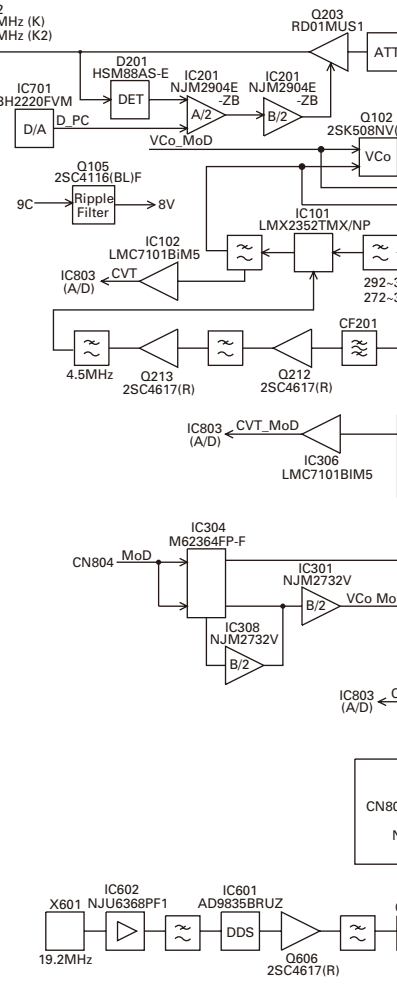
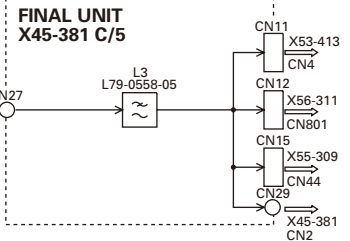
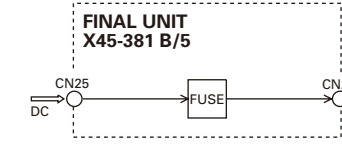
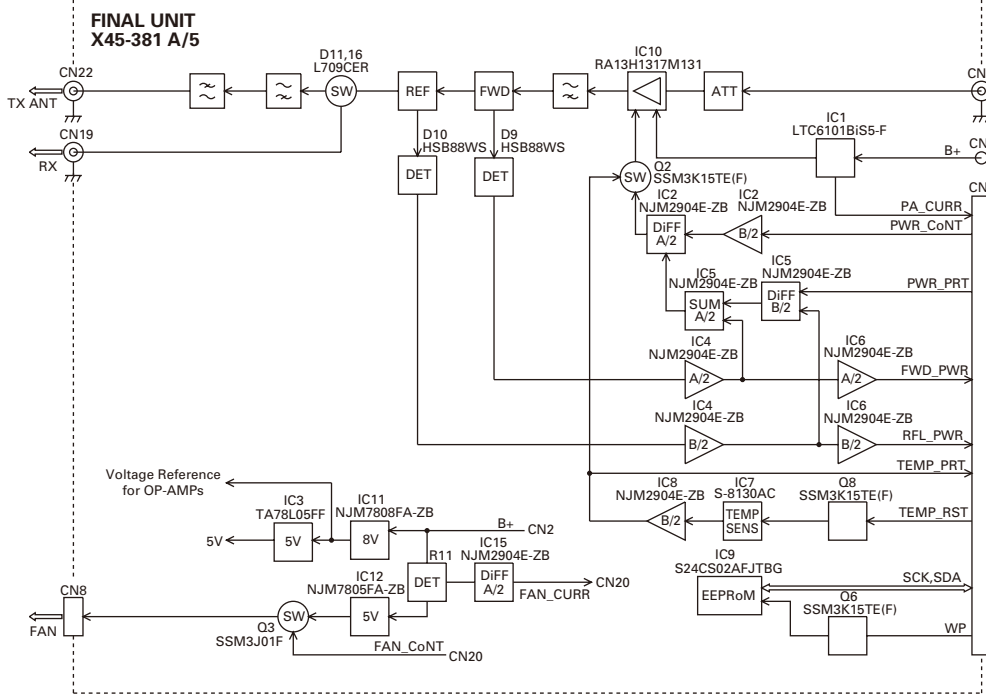
Ref. No.	Address	Ref. No.	Address	Ref. No.	Address
IC300	9K	IC700	6M	IC720	8Y
IC301	9K	IC702	6O	IC721	8O
IC302	5AA	IC704	5Q	IC727	6AB
IC304	6AA	IC705	4D	IC728	10N
IC305	7S	IC707	8Q	Q303	7S
IC307	9J	IC711	6Z	Q309	9N
IC309	9H	IC719	7Y	Q706	5Z

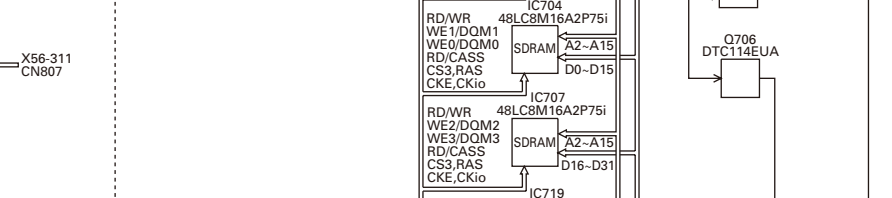
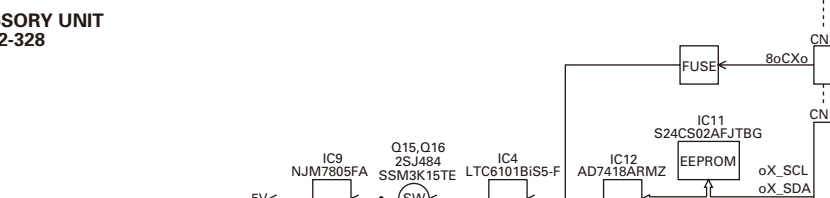
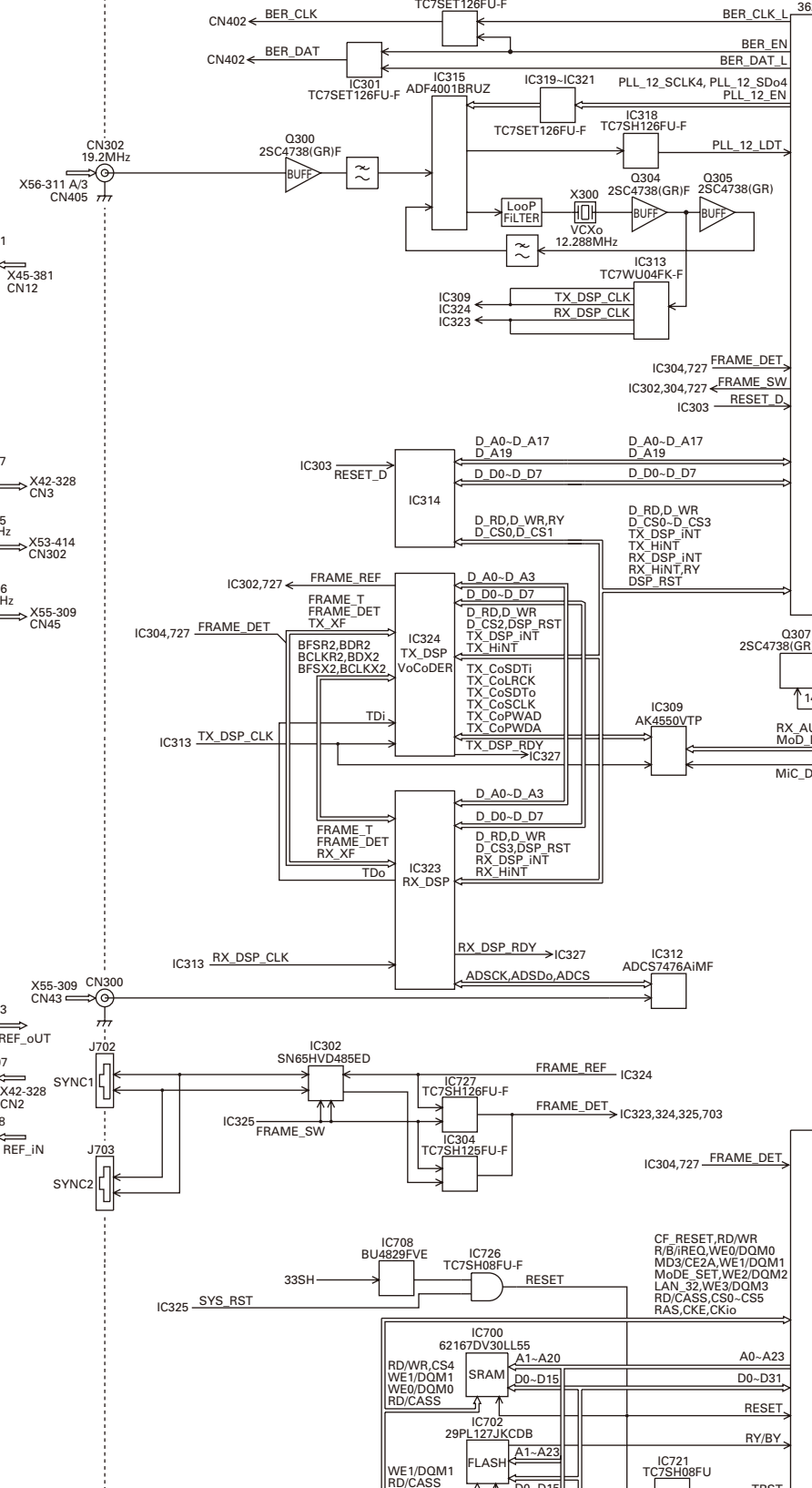
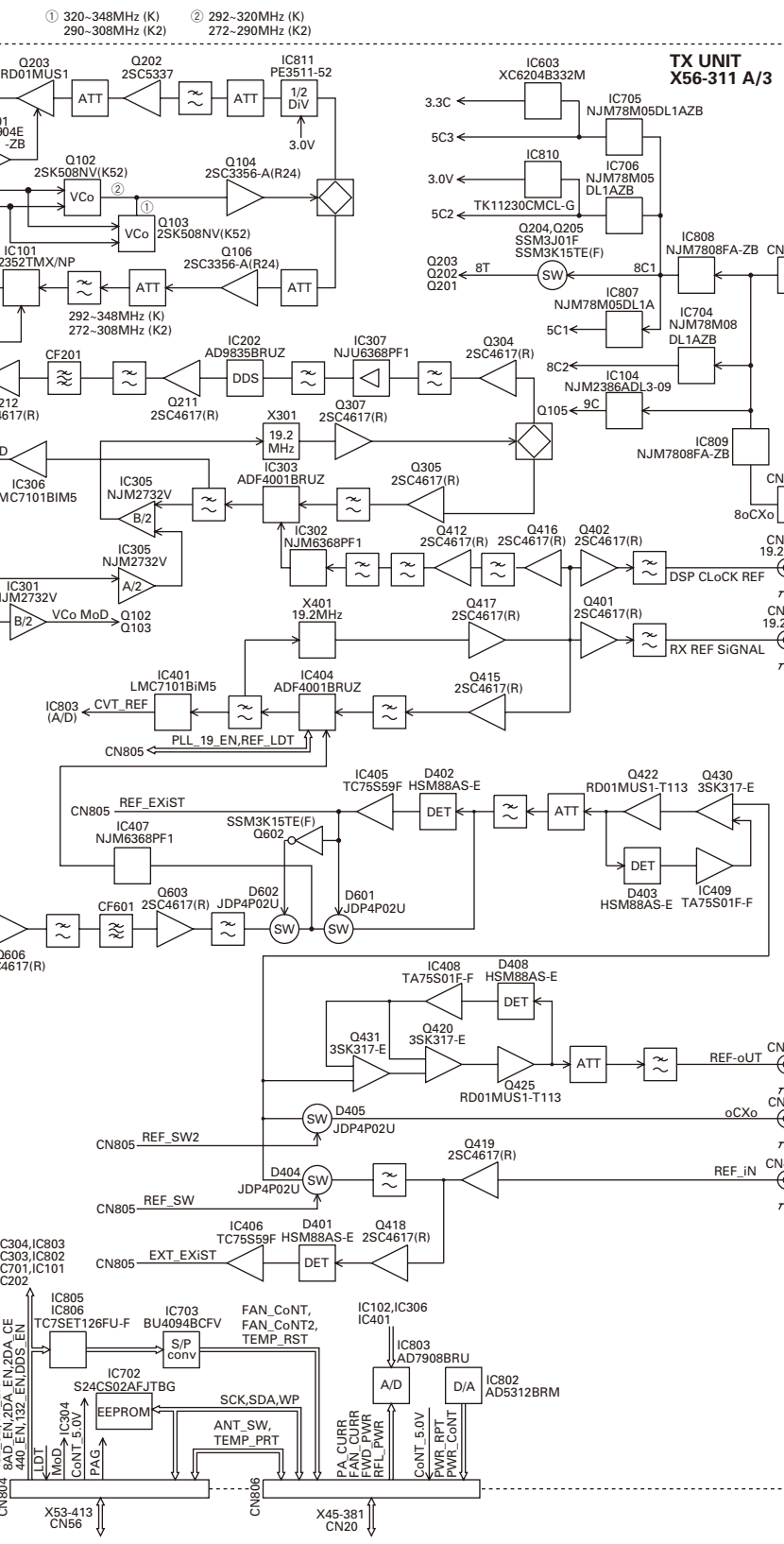
**CONTROL UNIT (X53-4140-XX) -10 : K,K2 -11 : For service  
Foil side view (J79-0012-09)**

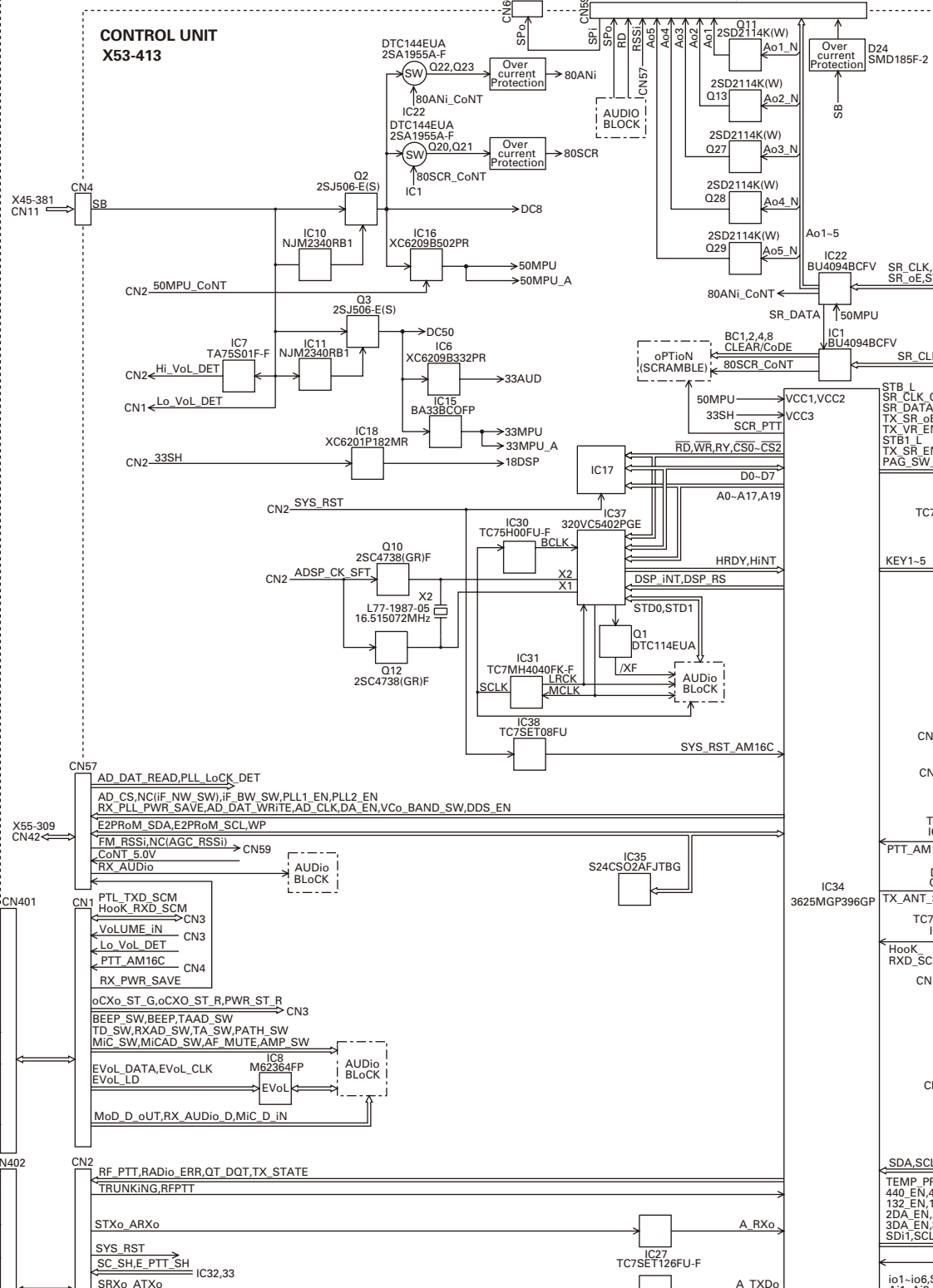
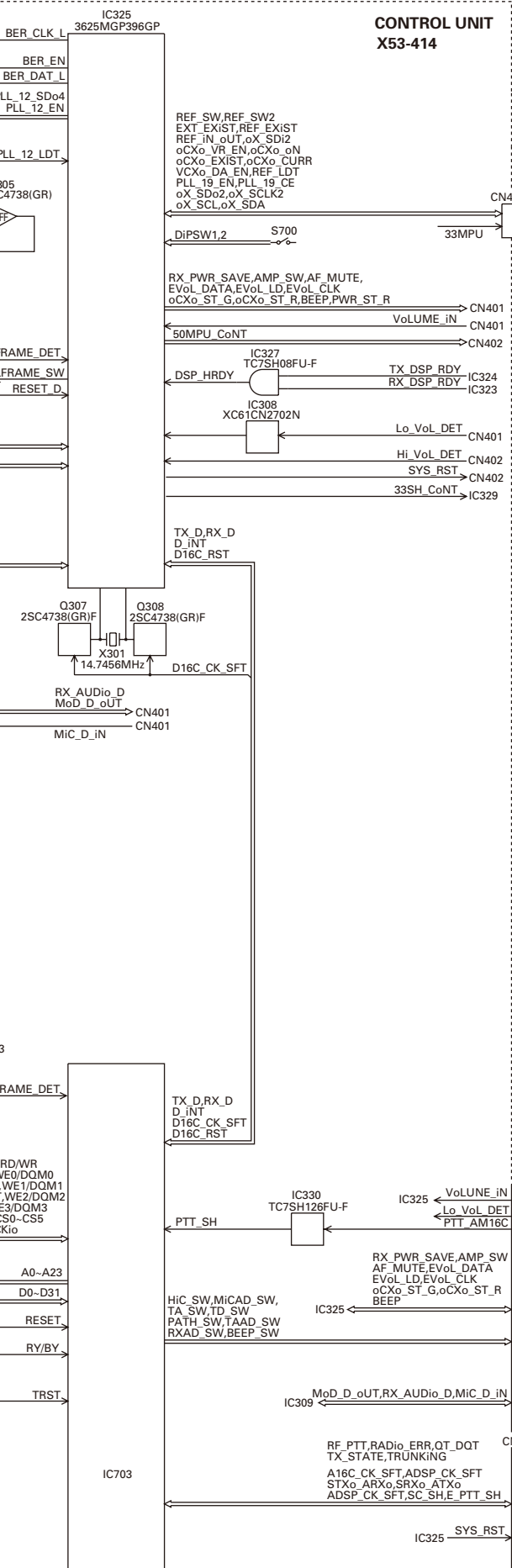




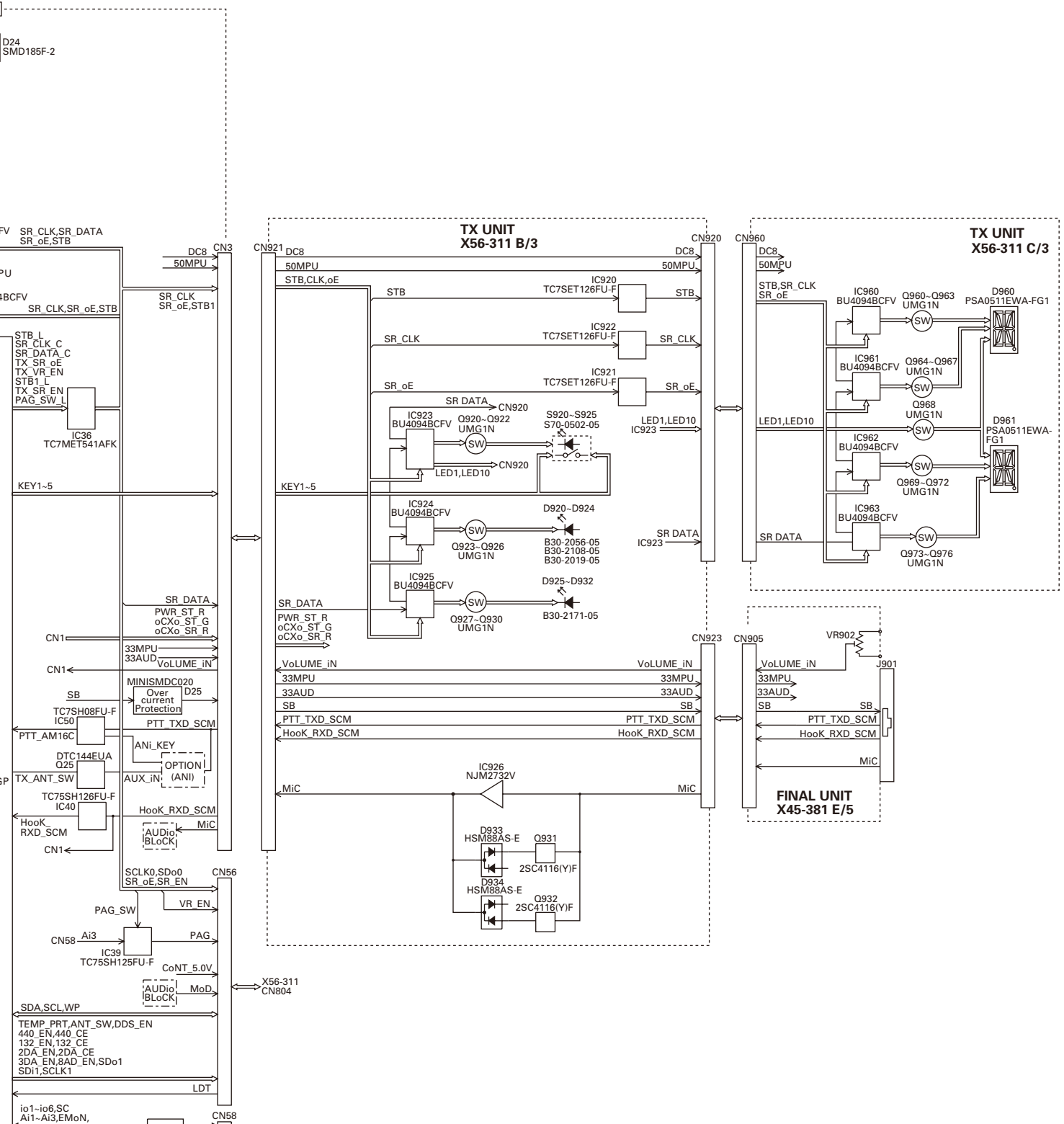


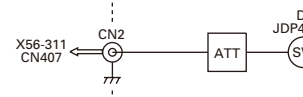




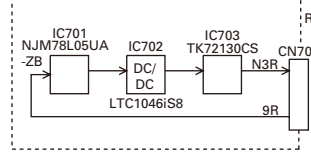


# BLOCK DIAGRAM NXR-700

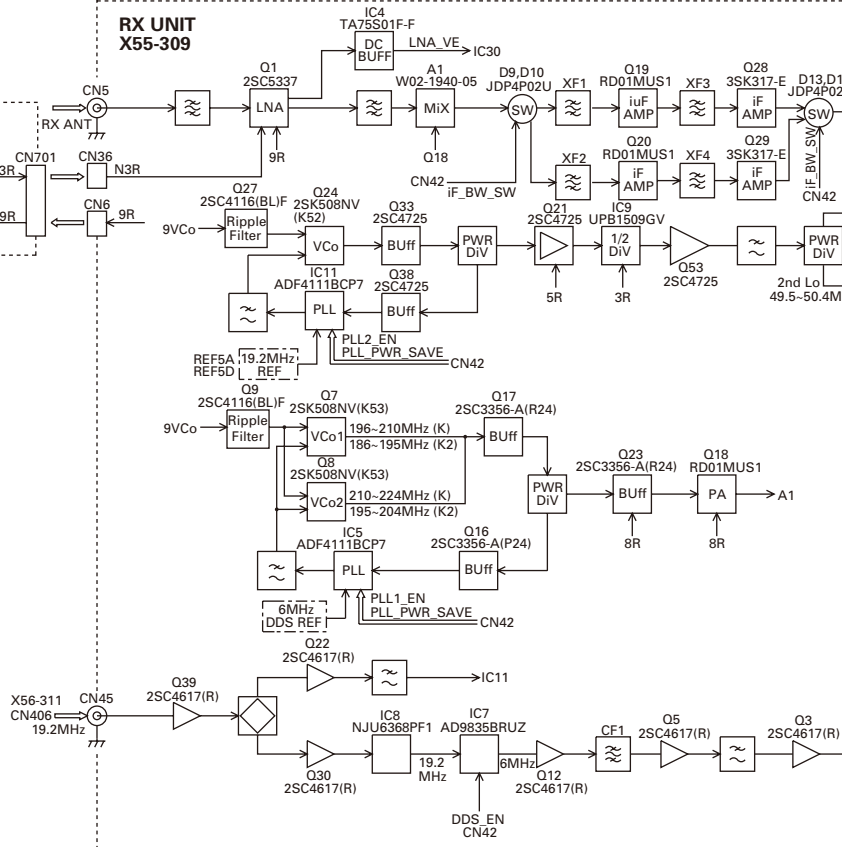


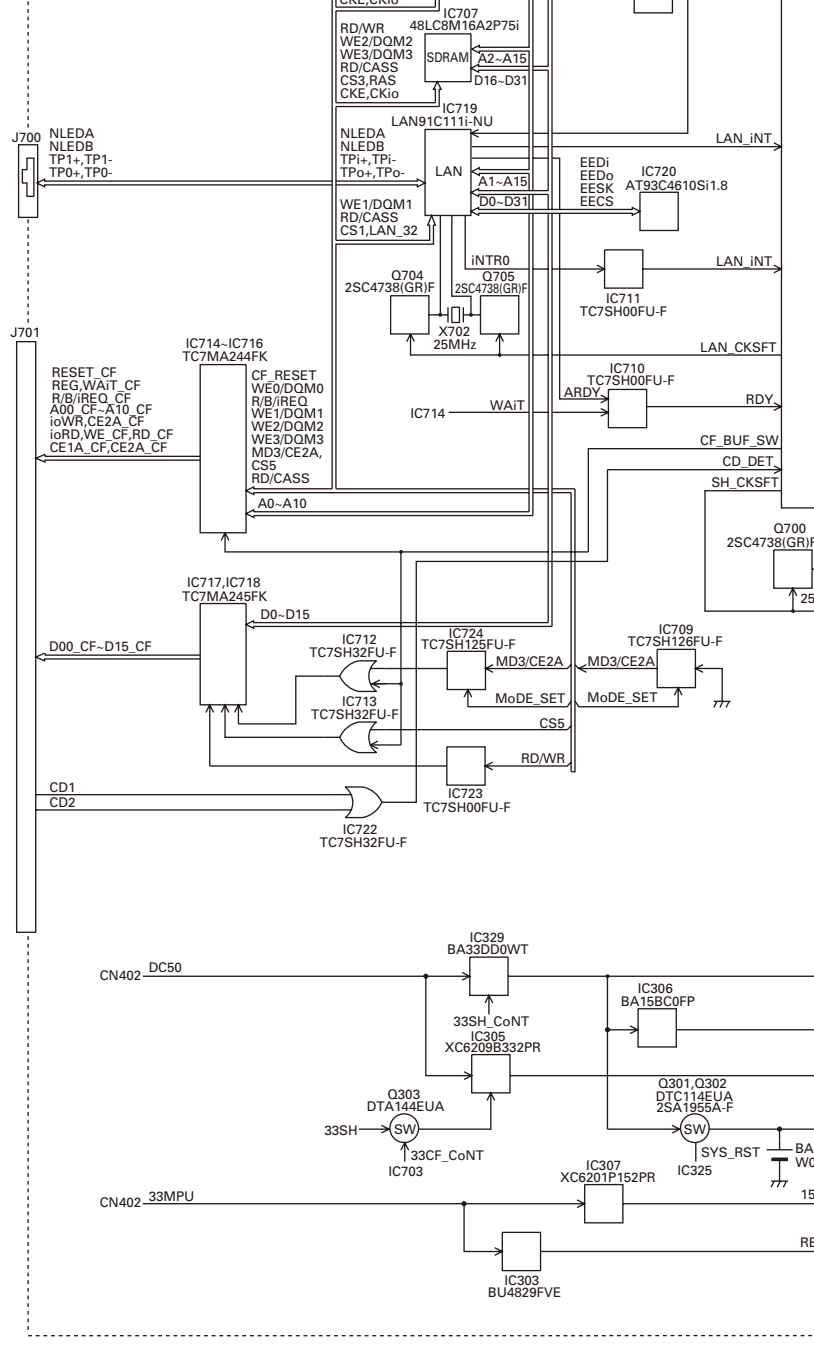
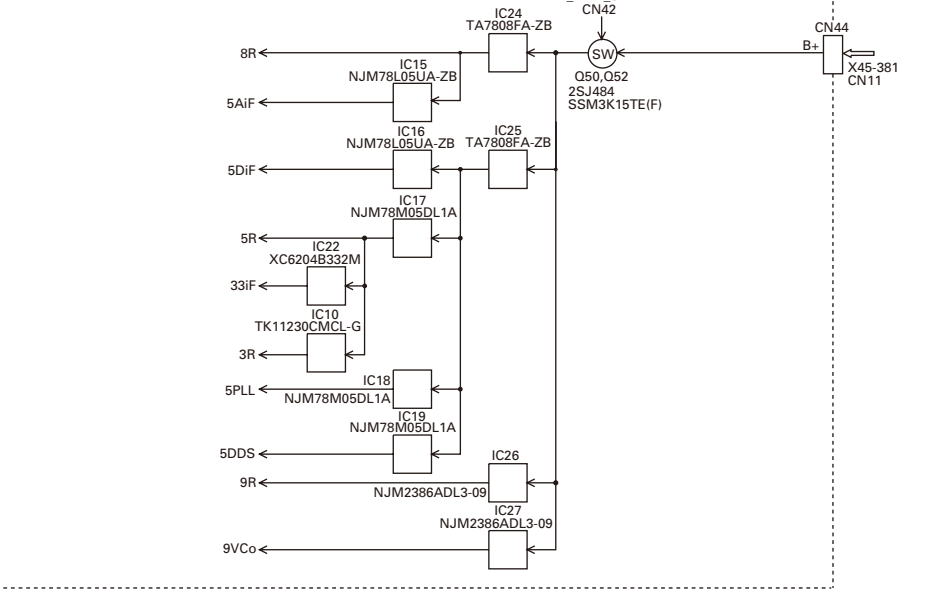
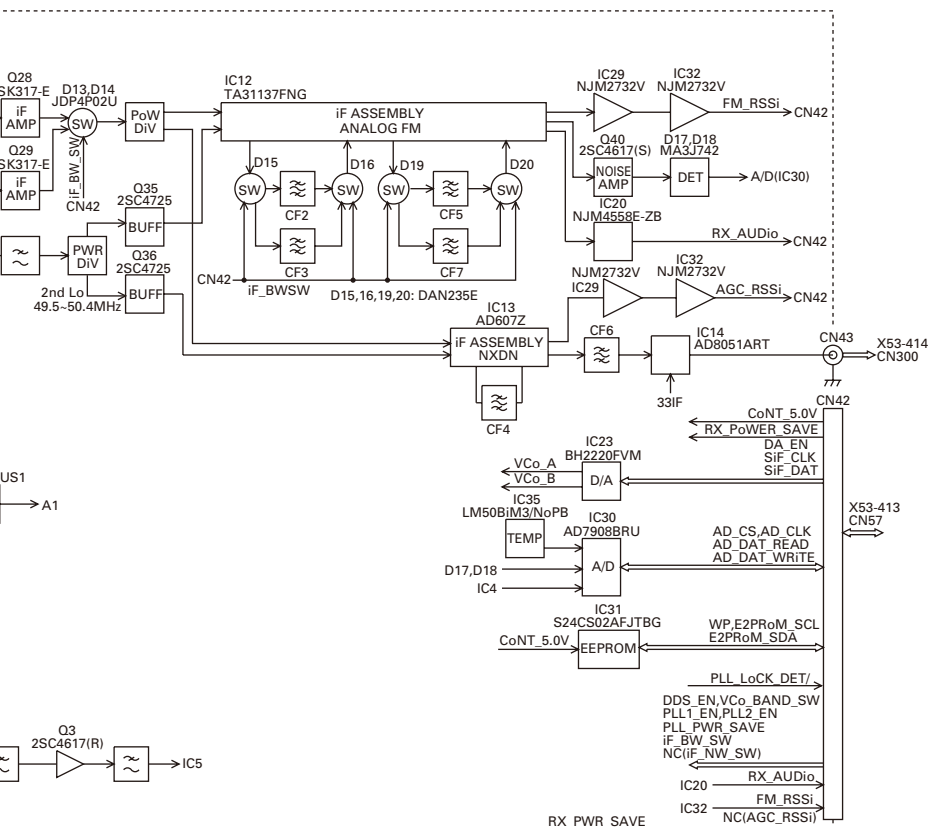
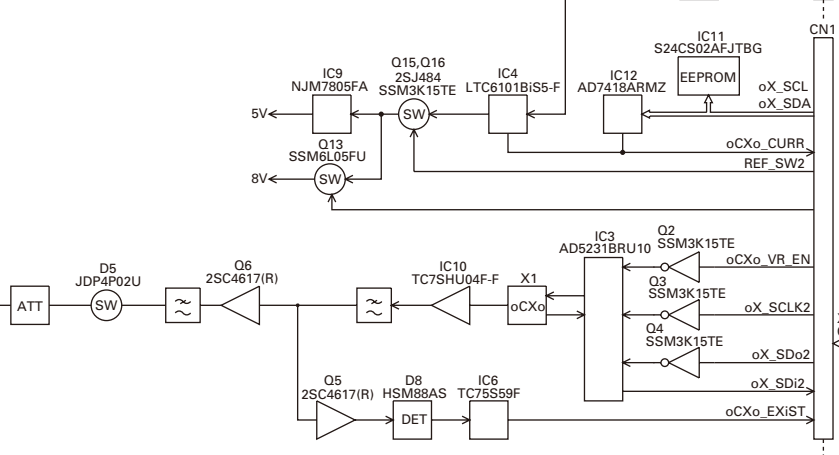


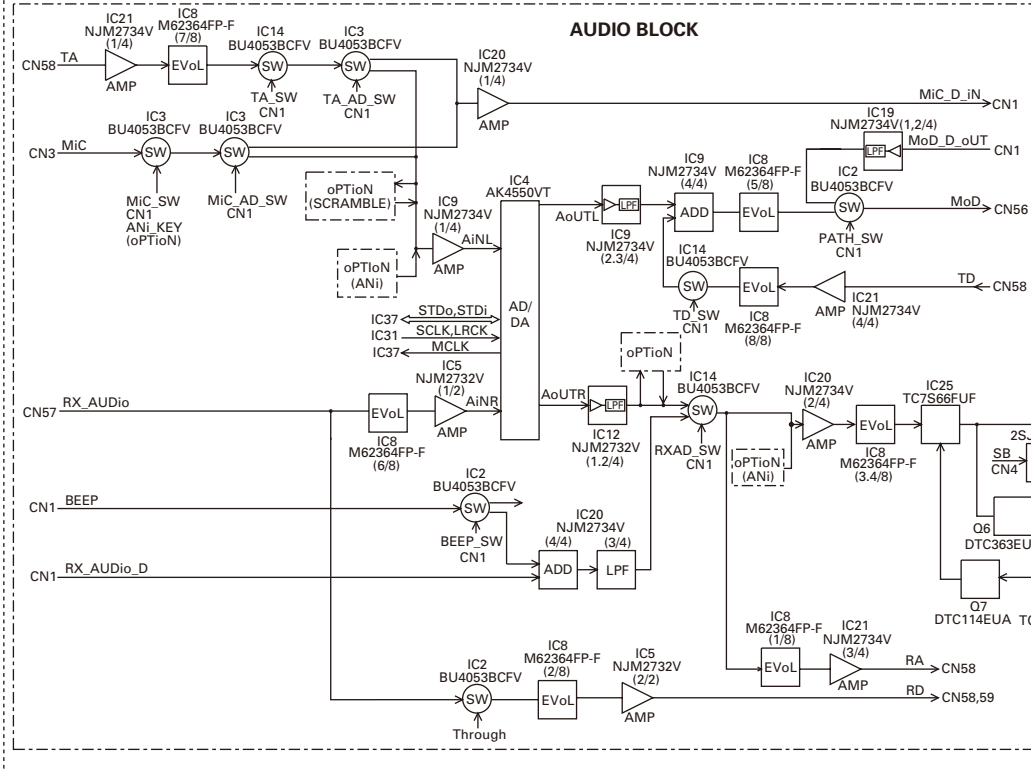
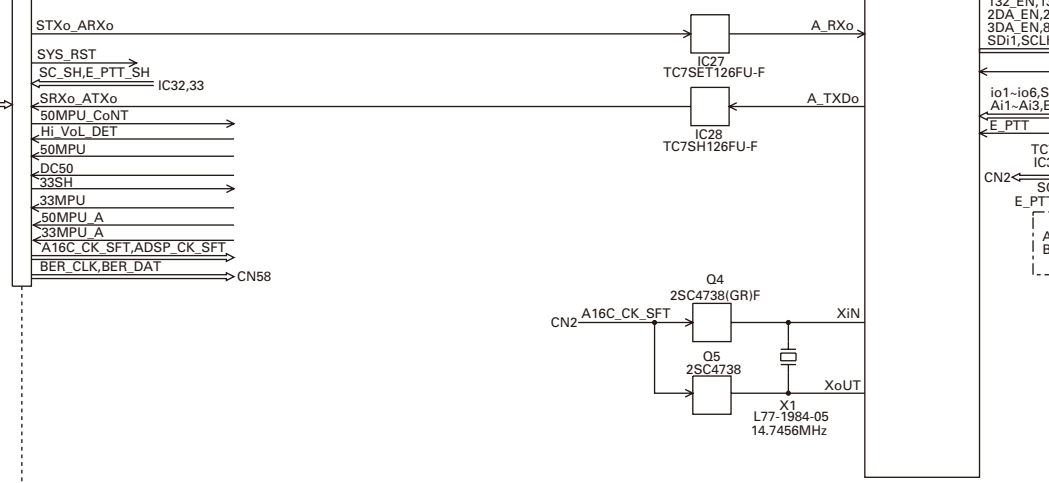
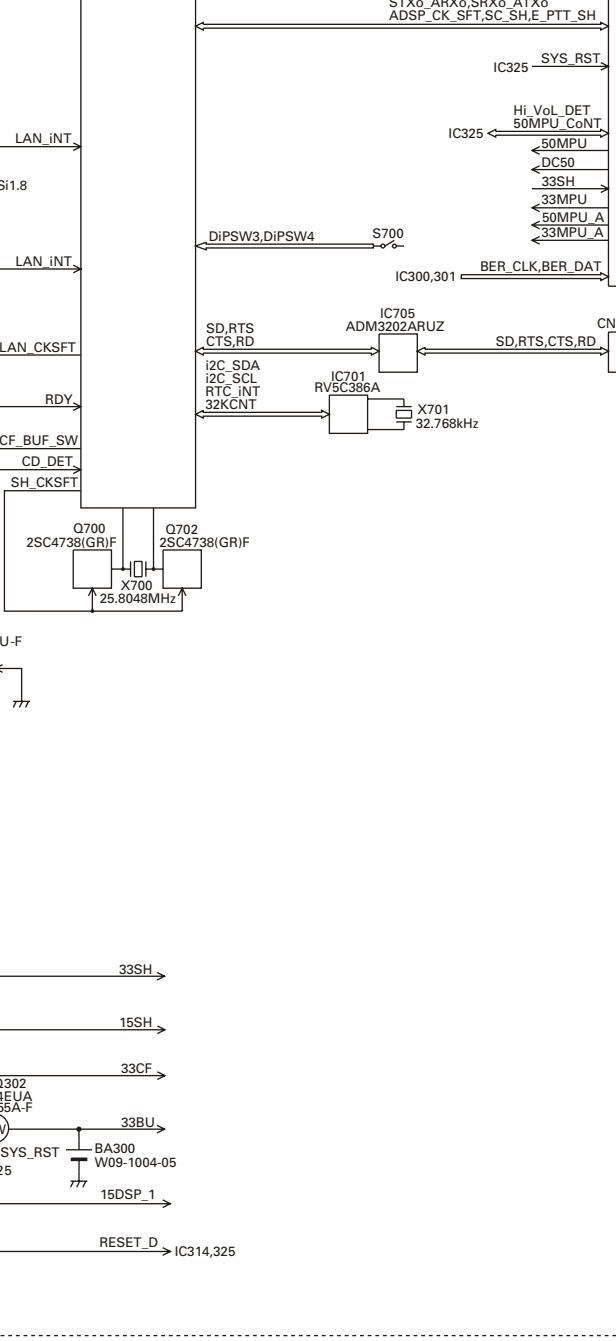
**FINAL UNIT  
X45-381 D/5**



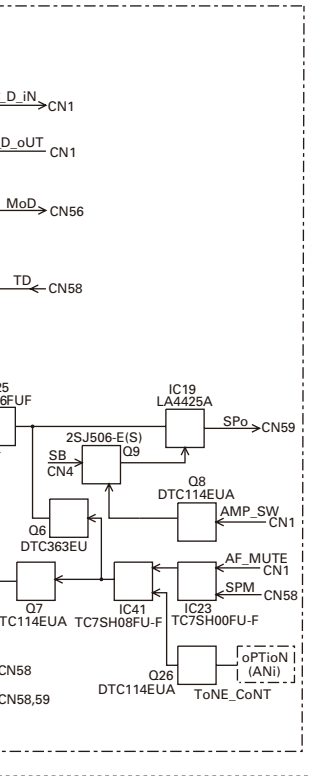
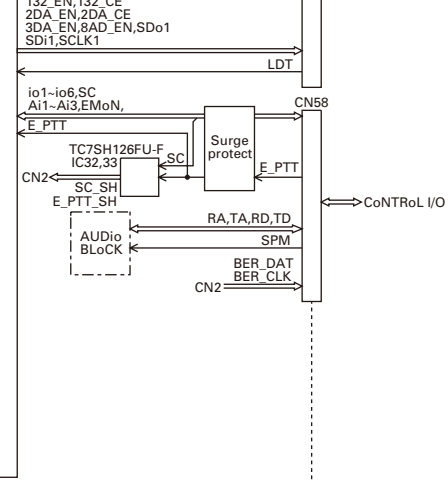
**RX UNIT  
X55-309**





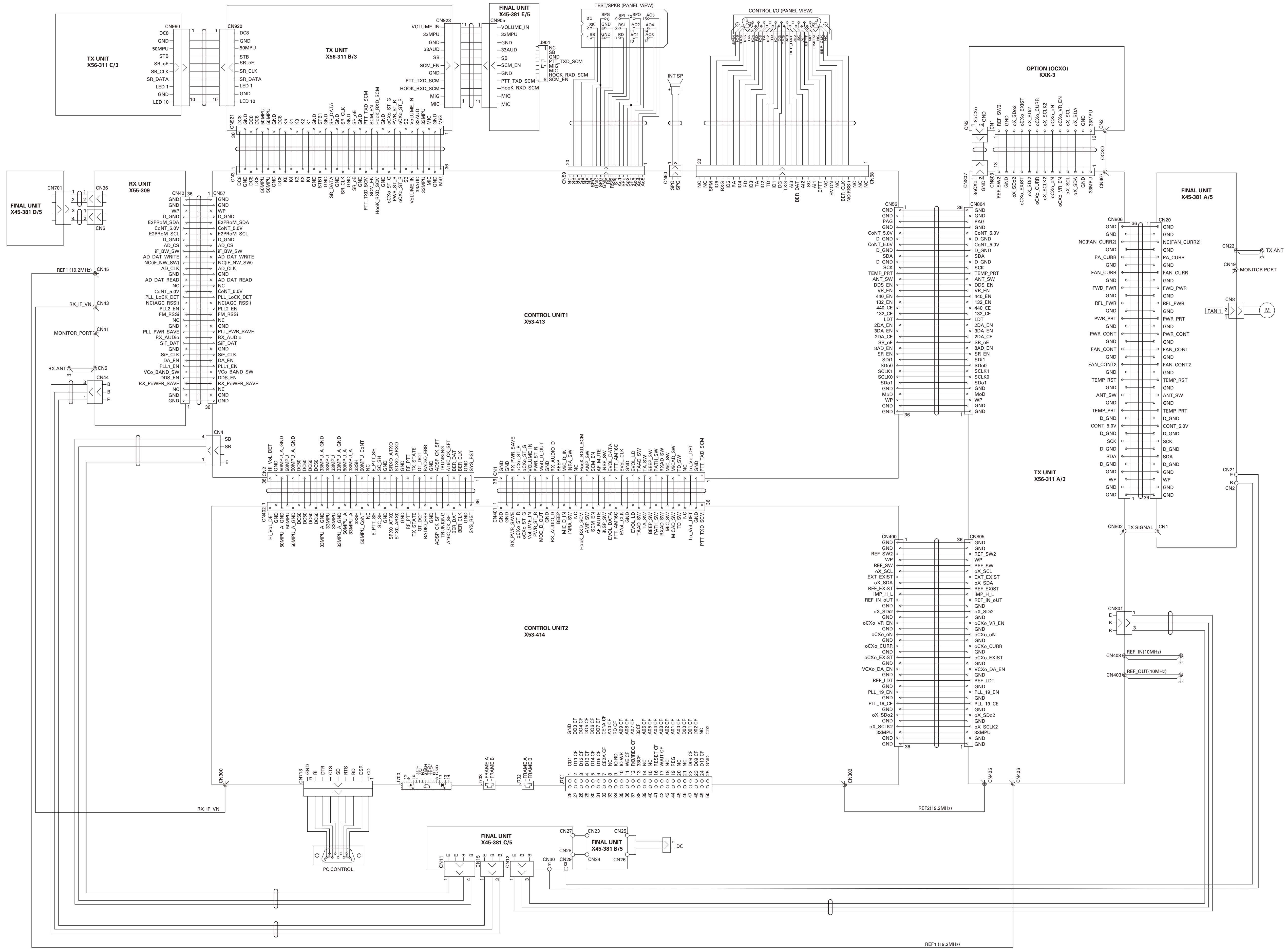


- 33H: IC702-IC705,IC707-IC724,IC726,IC17,IC34,IC37,IC28,IC30-IC33,IC40
- 33BU: IC700,IC701
- 33MPU: IC7,IC303,IC304,IC313,IC314,IC316,IC318,IC323,IC324,IC325,IC327,IC725,IC727
- 33MPU\_A: IC309,IC312
- 33AUD: IC2-IC5,IC8,IC9,IC12,IC14,IC19,IC20,IC21,IC23,IC25,IC41,IC926
- 33CF: J701
- 50MPU: IC300-IC302,IC319-IC321,IC315,IC22,IC27,IC35,IC36,IC38,IC39,IC1,IC150,IC920-IC925,IC960-IC963
- 50MPU\_A: IC315
- 18DSP: IC37
- 15SH: IC703
- 15DSP: IC323,IC324
- 80ANI: oPTioN (ANi)
- 80SCR: oPTioN (SCRAMBLE)

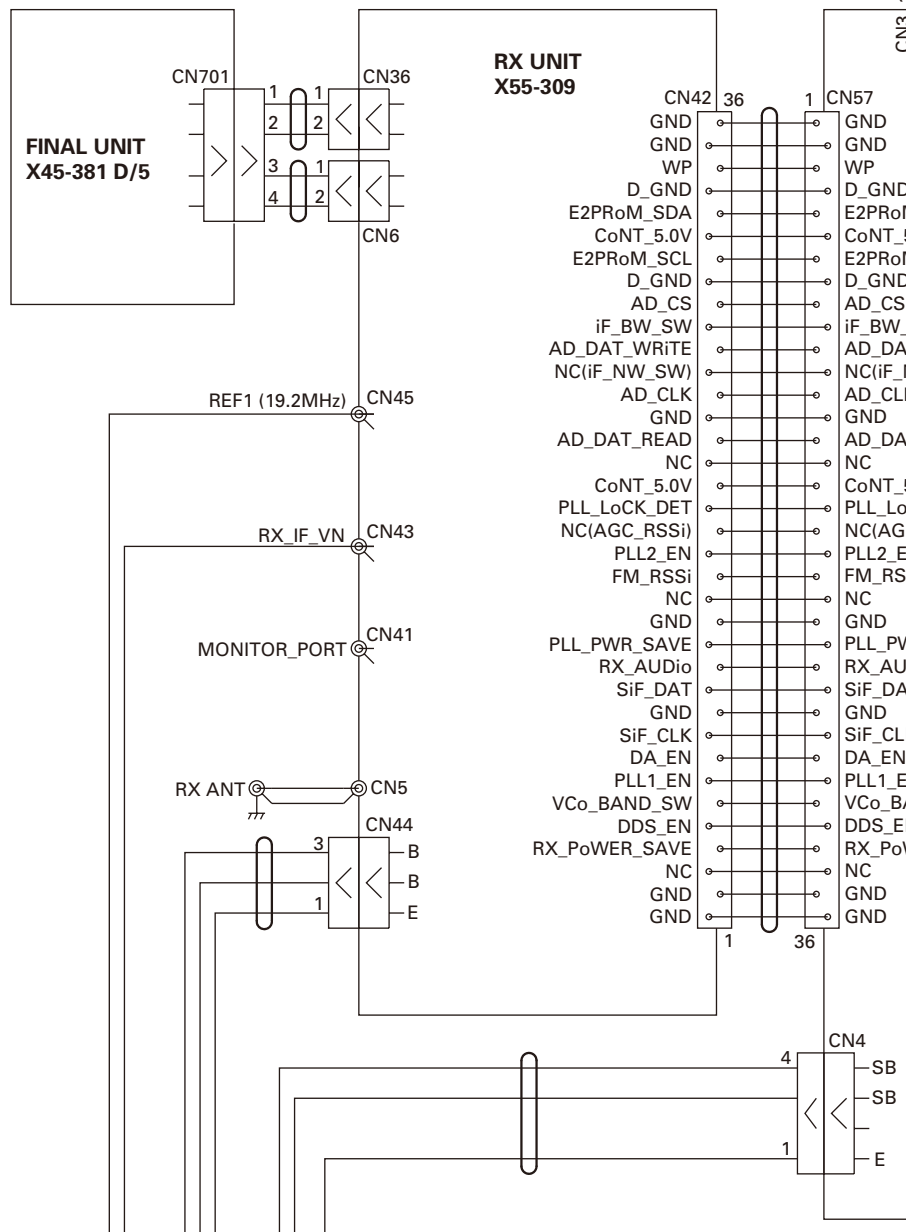
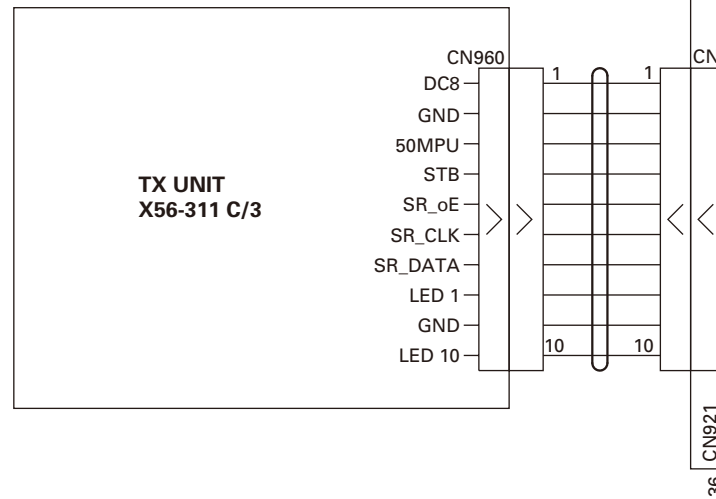


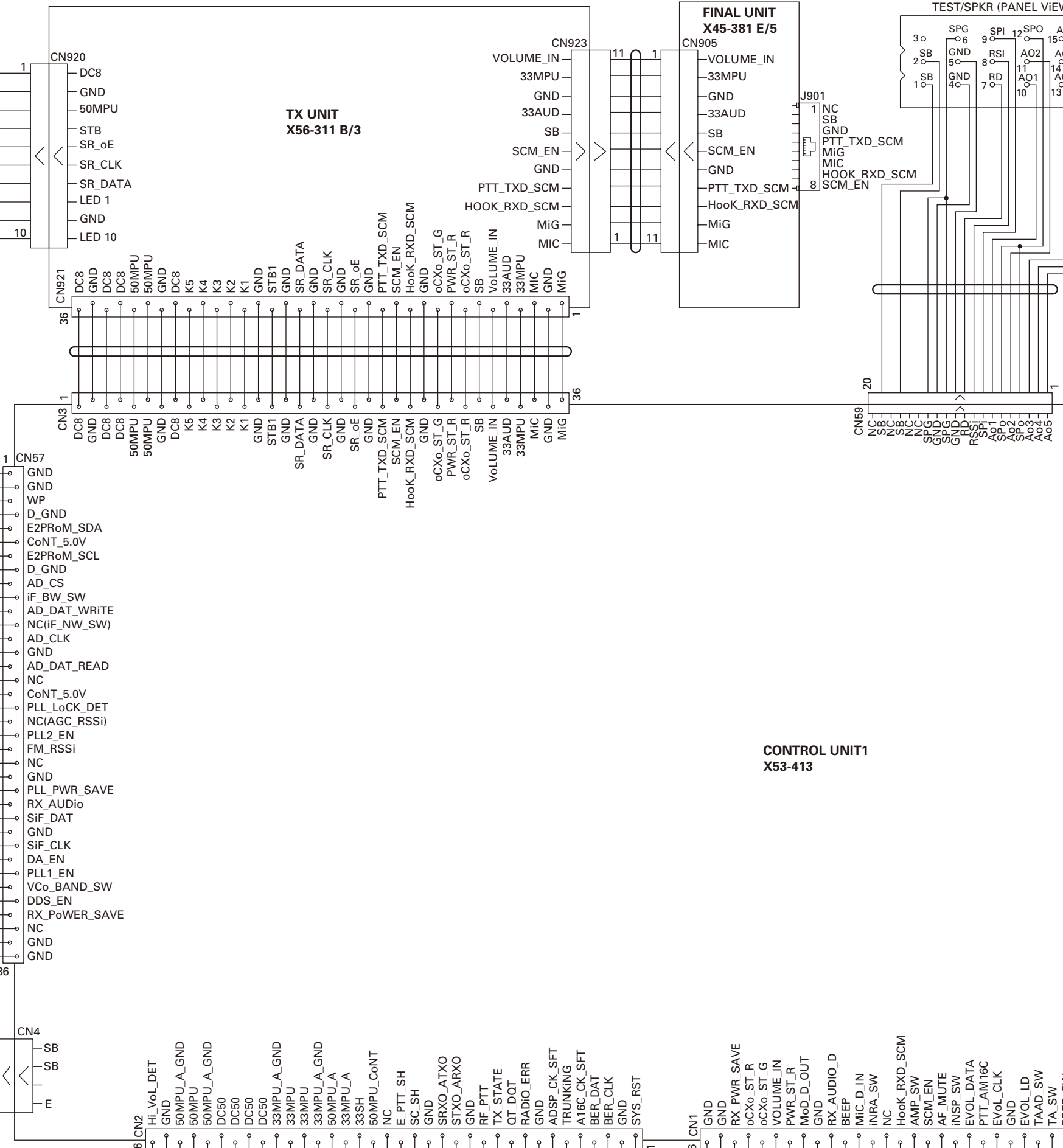


NXR-700 INTERCONNECTION DIAGRAM

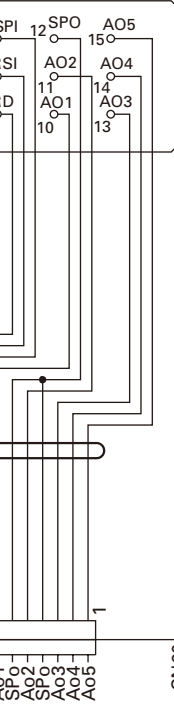


# NXR-700 INTERCONNECTION DIAGRAM

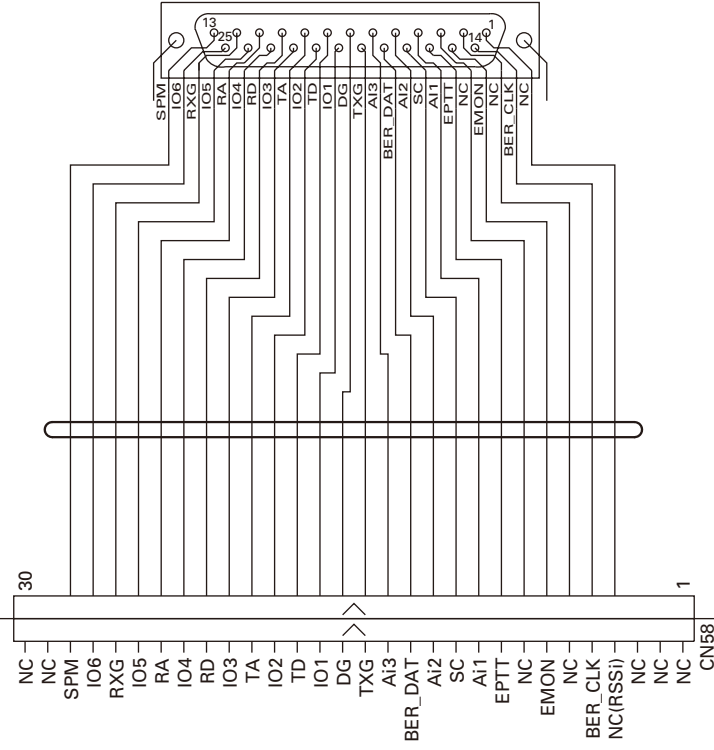




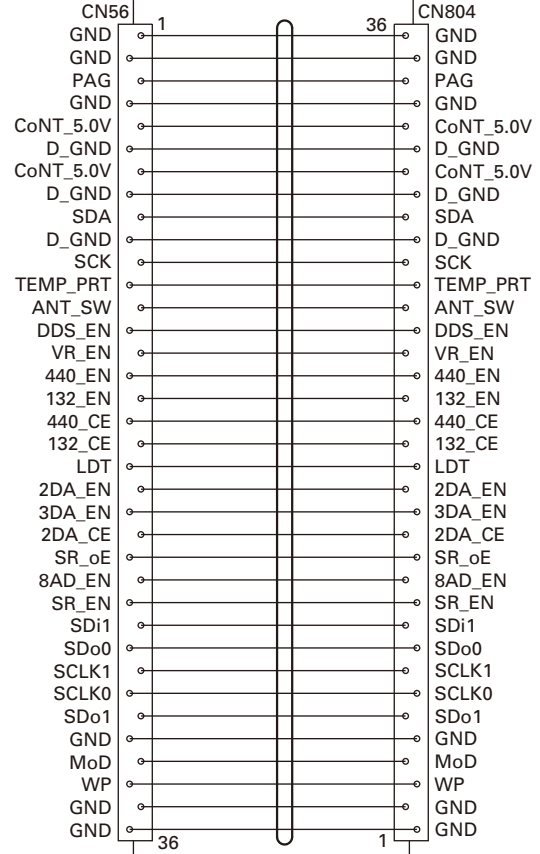
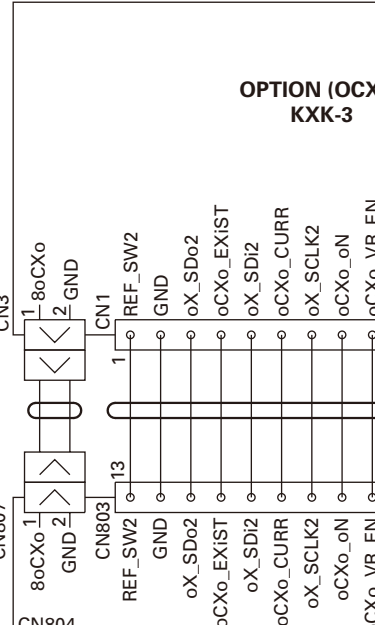
(PANEL VIEW)



CONTROL I/O (PANEL VIEW)

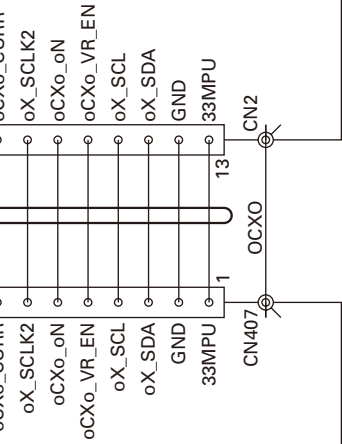


OPTION (OCXO KXX-3)

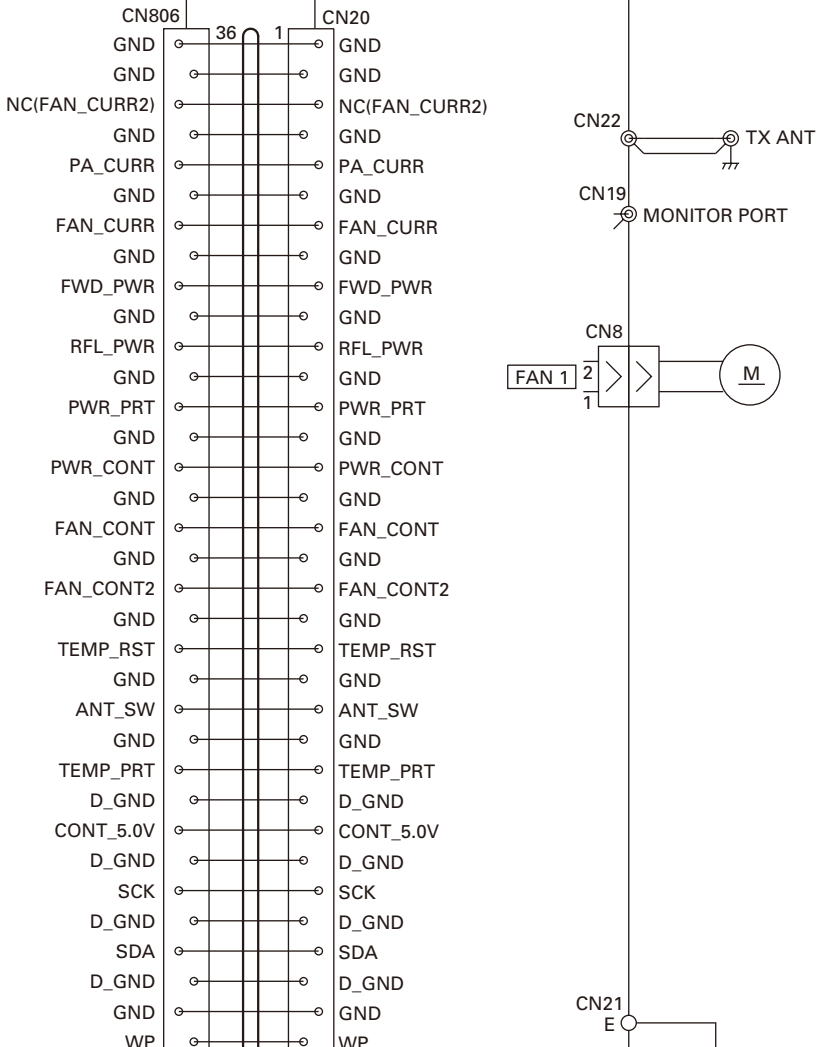


- EvoL\_CLK
- GND
- EVOL\_LD
- TAAD\_SW
- TA\_SW
- BEEP\_SW
- PATH\_SW
- RXAD\_SW
- Mic\_SW
- MiCAD\_SW
- TD\_SW
- NC
- Lo\_VolDET
- GND
- PTT\_TXD\_SCM

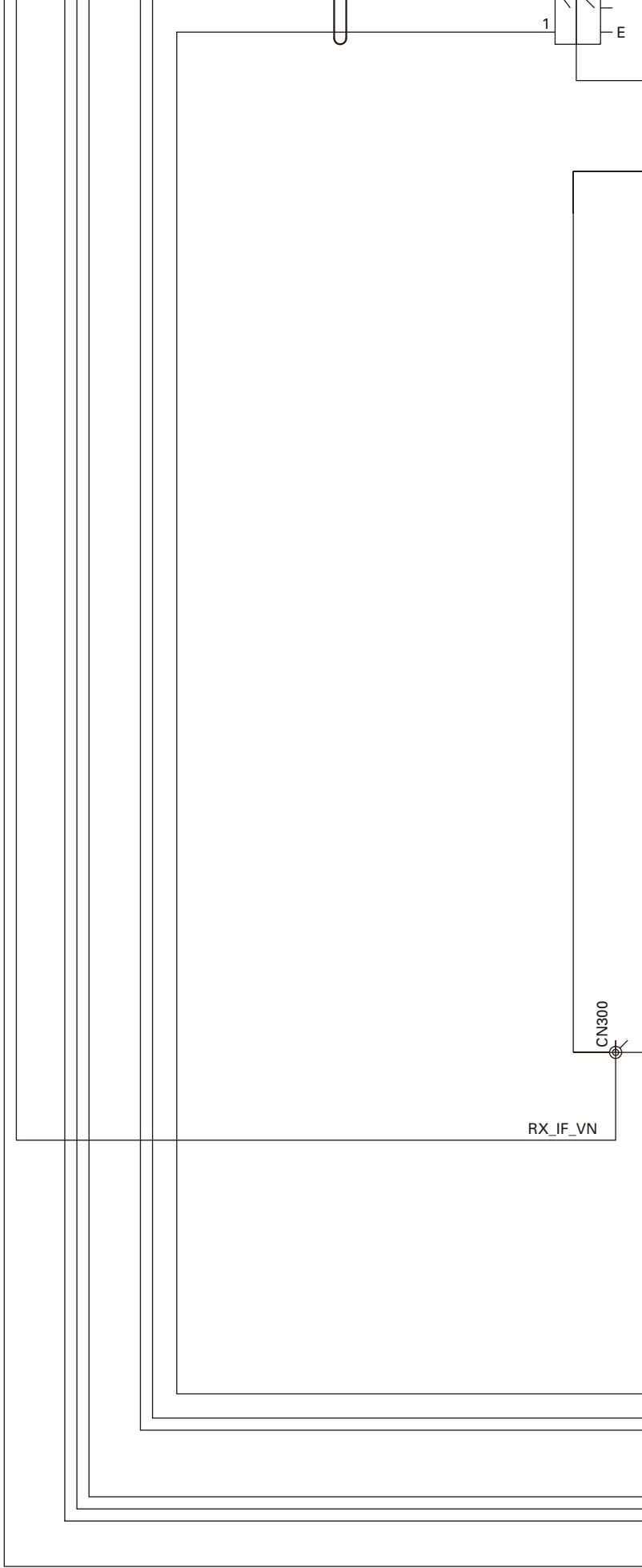
**ION (OCXO)  
KXX-3**

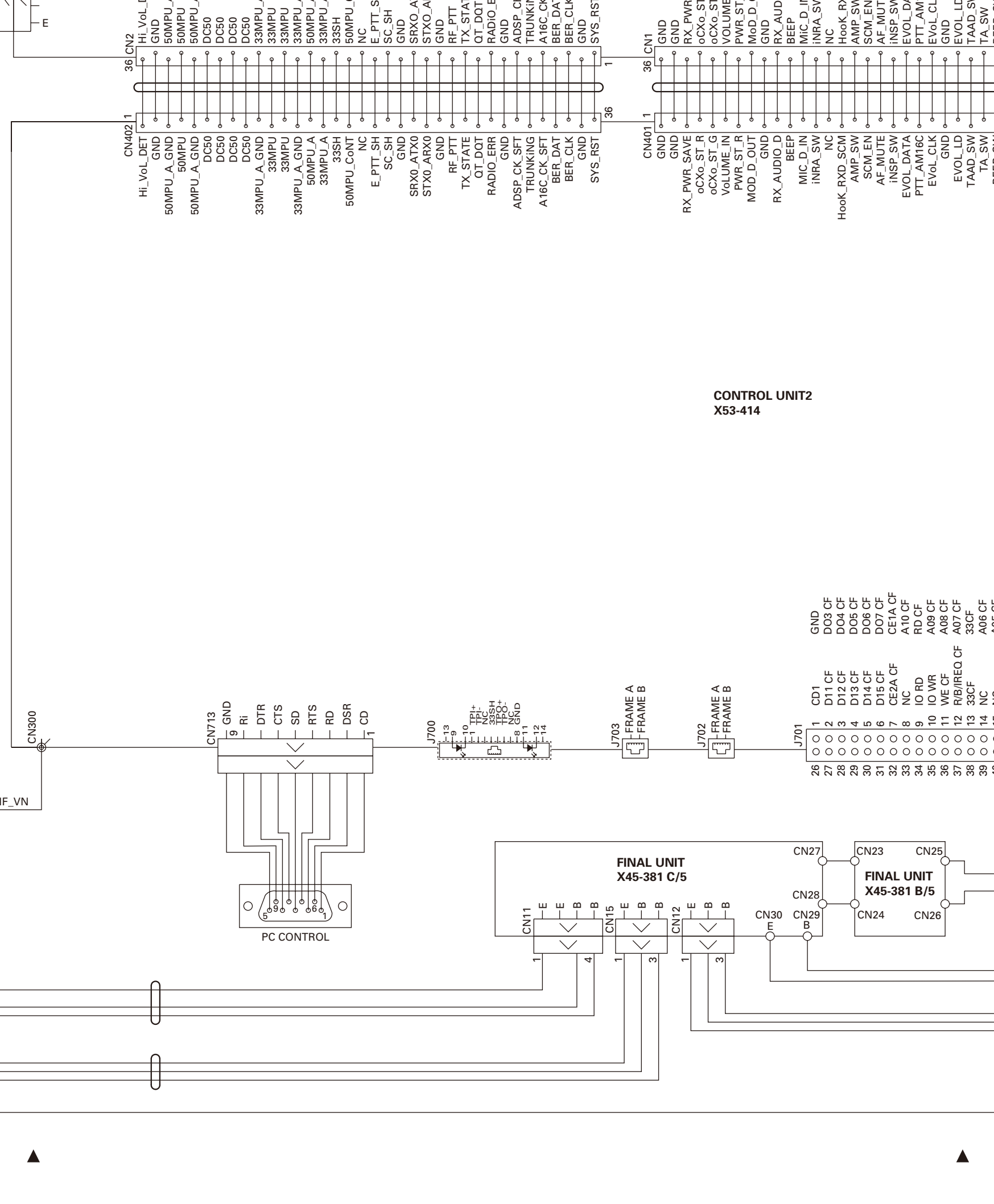


**FINAL UNIT  
X45-381 A/5**



**X UNIT  
56-311 A/3**

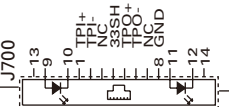
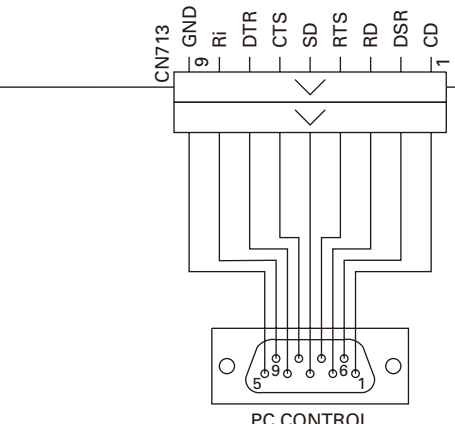




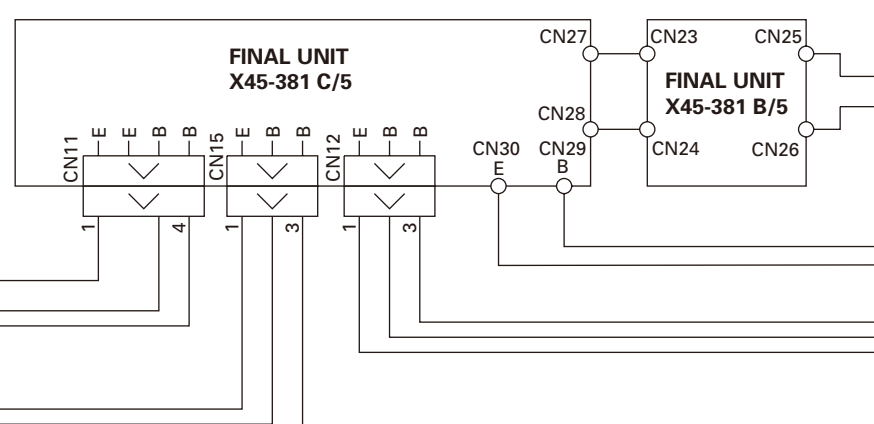
**CONTROL UNIT2  
X53-414**

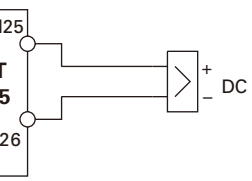
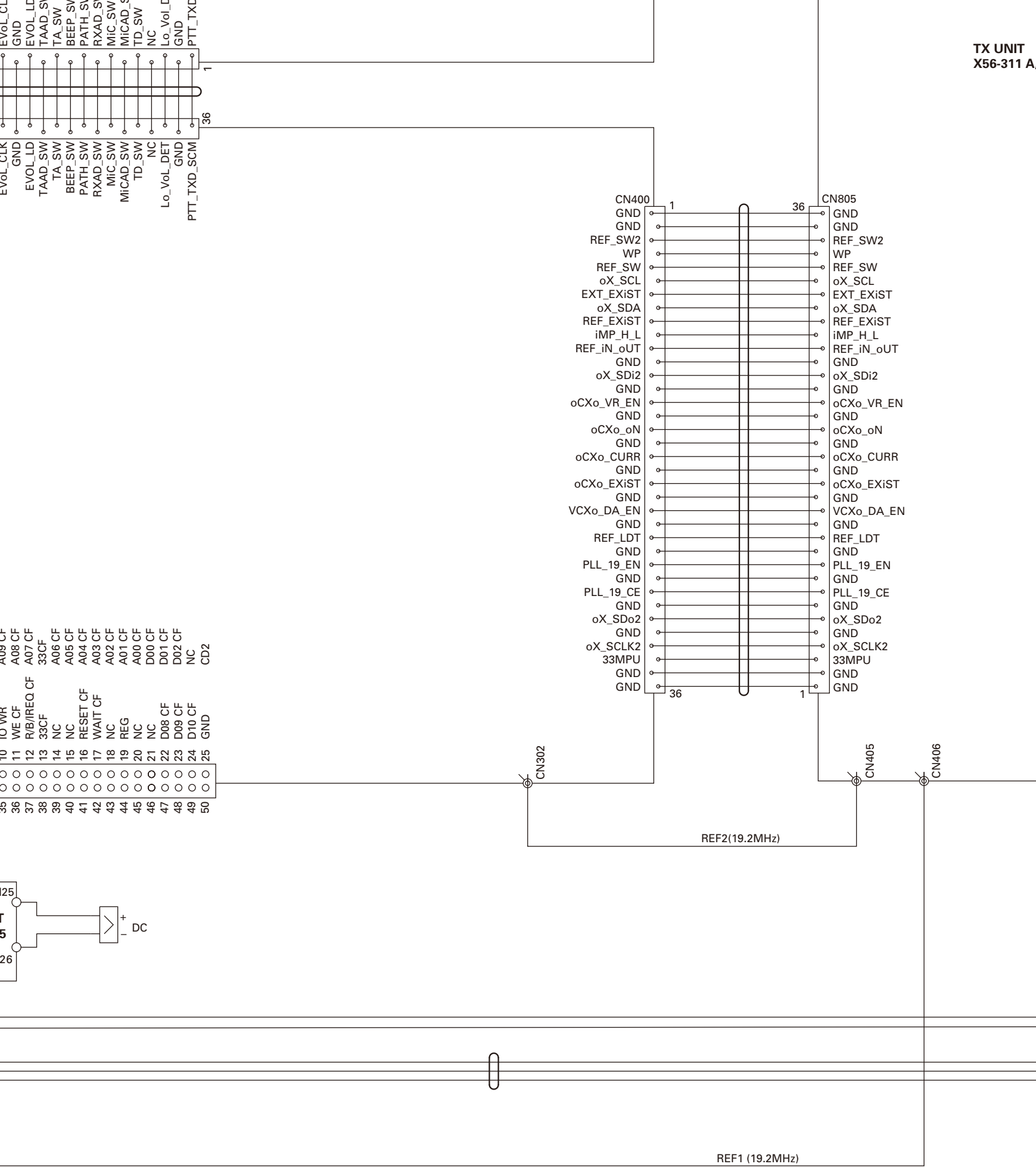
36	CN2	Hi_VoL_I
		GND
		50MPU_A_GND
		50MPU
		50MPU_A_GND
		DC50
		DC50
		DC50
		33MPU_A_GND
		33MPU
		33MPU
		33MPU_A_GND
		50MPU_A
		33MPU_A
		33SH
		50MPU_CoNT
		NC
		E_PTT_SH
		SC_SH
		GND
		SRX0_ATX0
		STX0_ARX0
		GND
		RF_PTT
		TX_STATE
		QT_DQT
		RADIO_ERR
		GND
		ADSP_CK_SFT
		TRUNKING
		A16C_CK_SFT
		BER_DAT
		BER_CLK
		GND
		SYS_RST

36	CN1	GND
		GND
		RX_PWR
		oCXo_ST_R
		oCXo_ST_G
		VOLUME_IN
		PWR_ST_R
		MOD_D_OUT
		GND
		RX_AUDIO_D
		BEEP
		MIC_D_IN
		iNRA_SW
		NC
		Hook_RX
		AMP_SW
		SCM_EN
		AF_MUT
		iNSP_SW
		EVOL_D/A
		PTT_AM16C
		EvOL_CLK
		GND
		EVOL_LD
		TAAD_SW
		33CF
		TA_SW



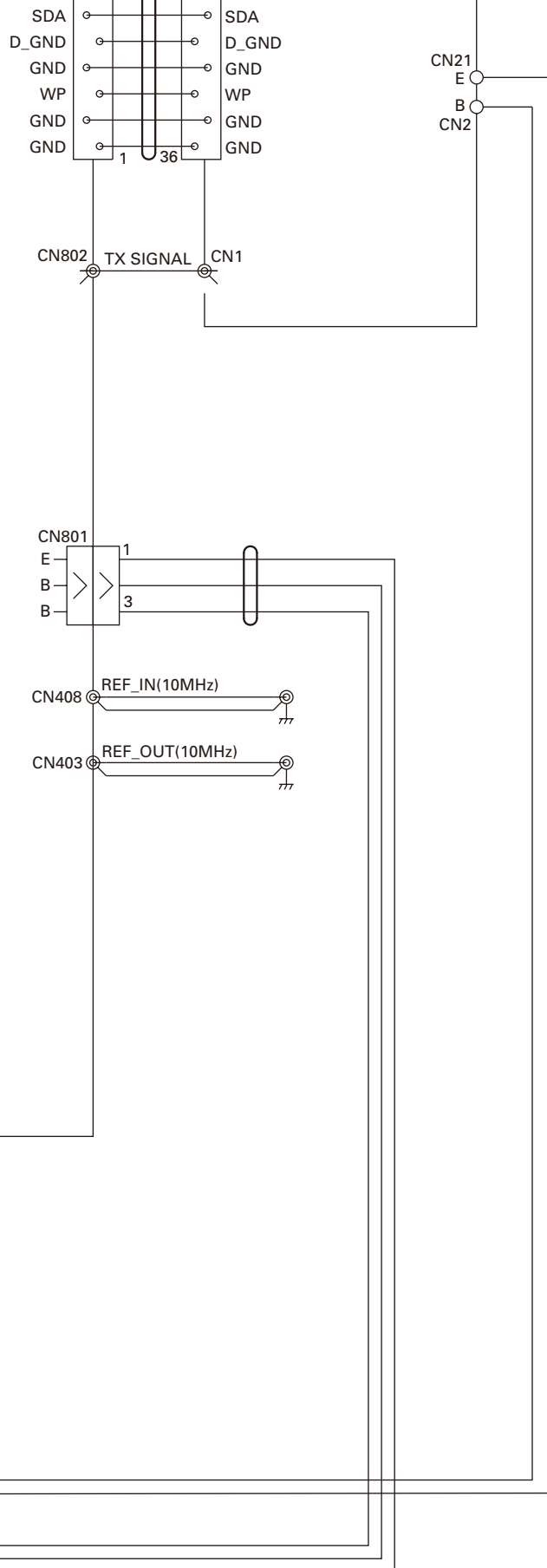
26	J701	CD1
		D03 CF
		D04 CF
		D05 CF
		D06 CF
		D07 CF
		D12 CF
		D13 CF
		D14 CF
		D15 CF
		CE2A CF
		CE1A CF
		A10 CF
		NC
		IO RD
		IO WR
		WE CF
		R/B/REQ CF
		33CF
		NC



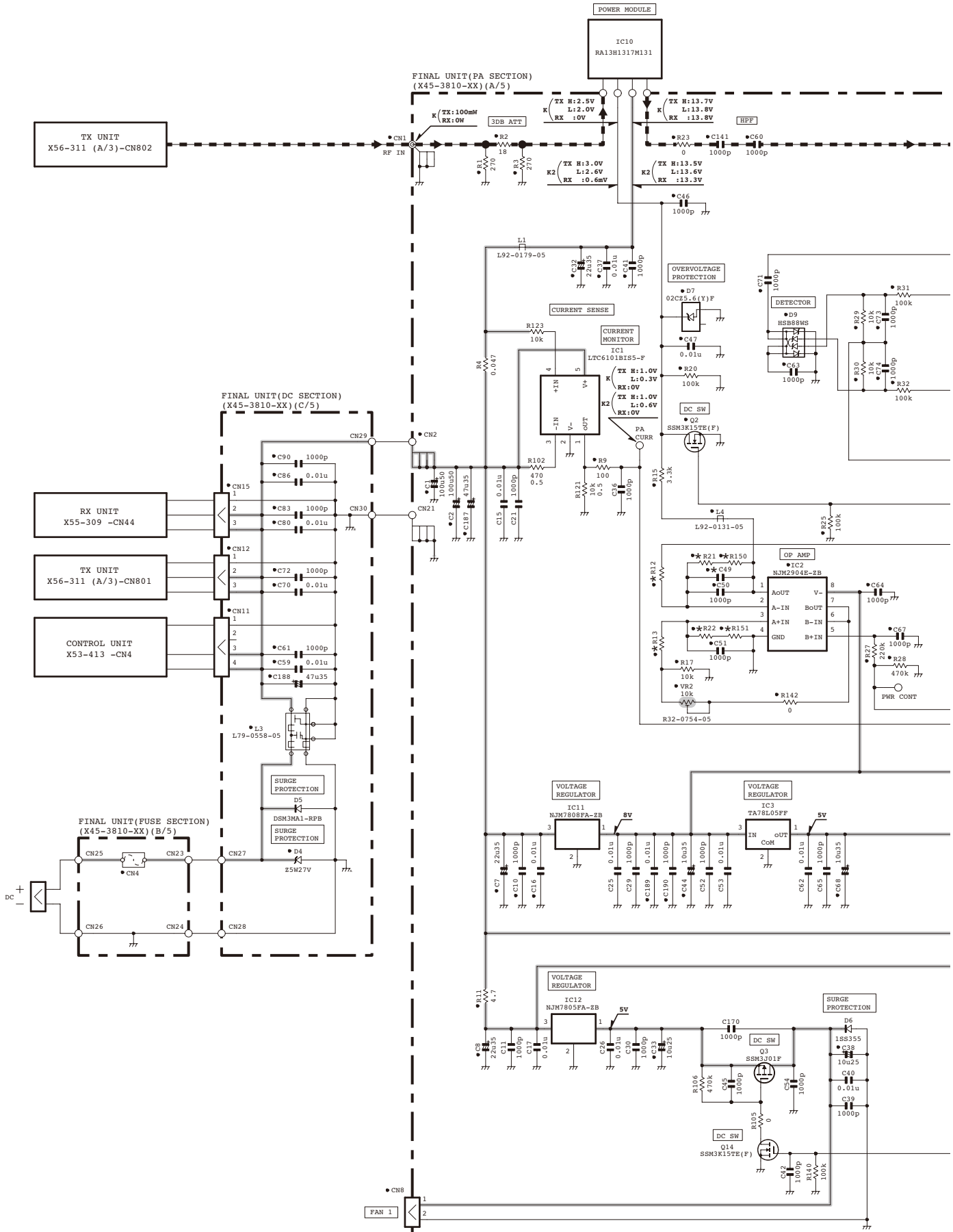




X UNIT  
56-311 A/3



# NXR-700 SCHEMATIC DIAGRAM

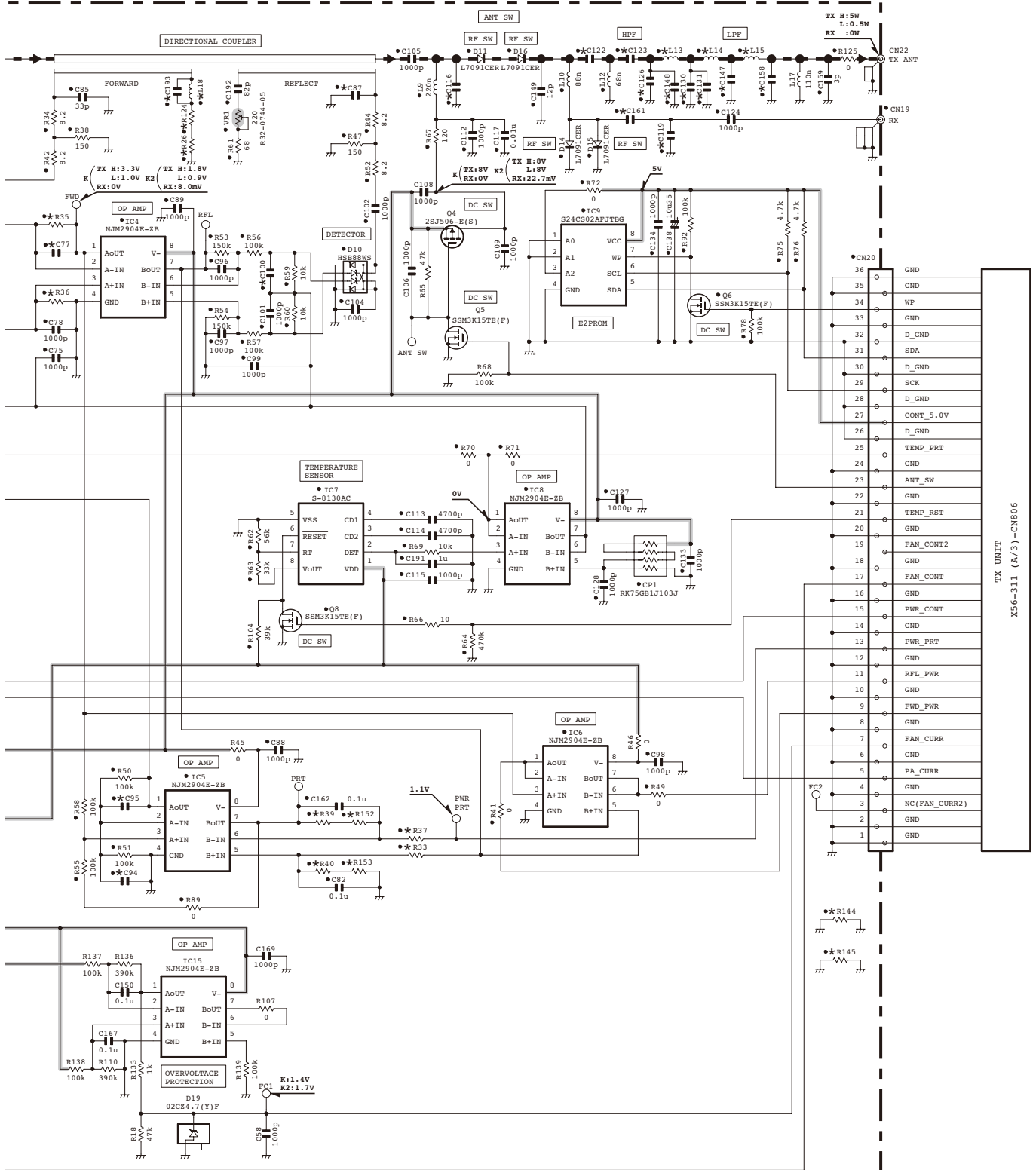


X45-3810-XX	R12	R13	R21	R22	R150	R151	C49
-10	K	10k	10k	180k	180k	NO	NO
-11	K2	56k	56k	560k	560k	470k	0.047u

# SCHEMATIC DIAGRAM NXR-700

Note : The components marked with a dot (•) are parts of layer 1.

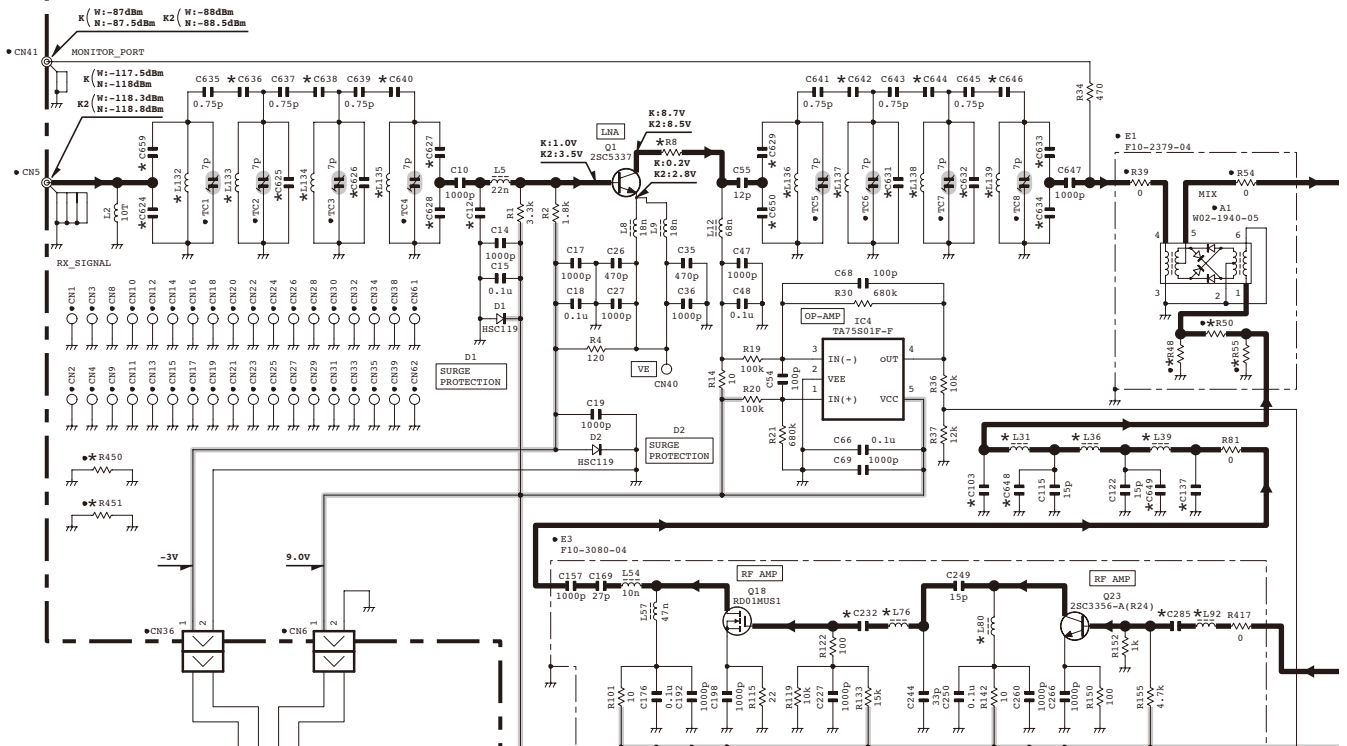
FINAL UNIT (PA SECTION)  
X45-3810-XX (A/5)



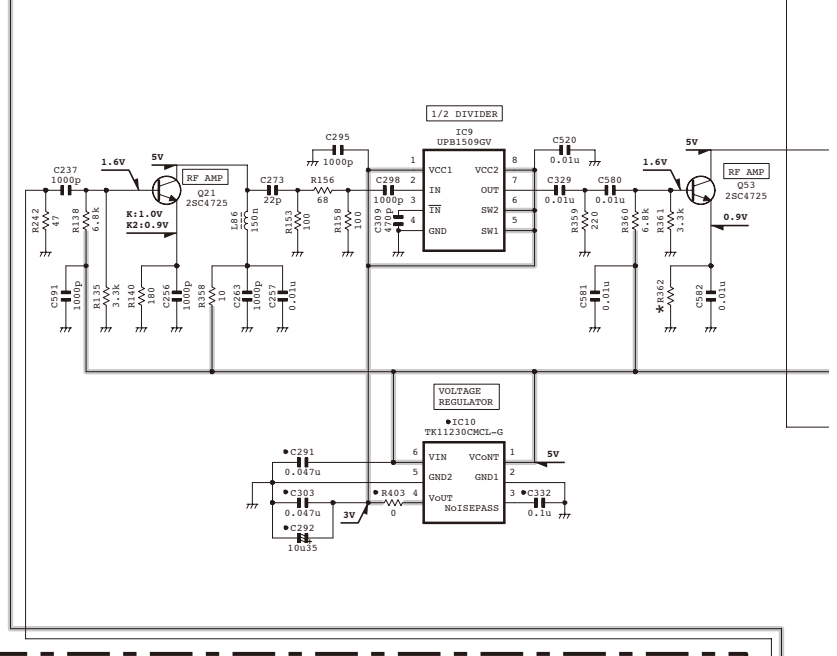
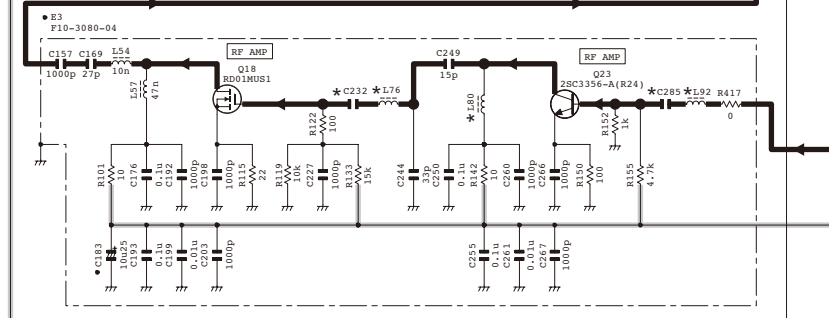
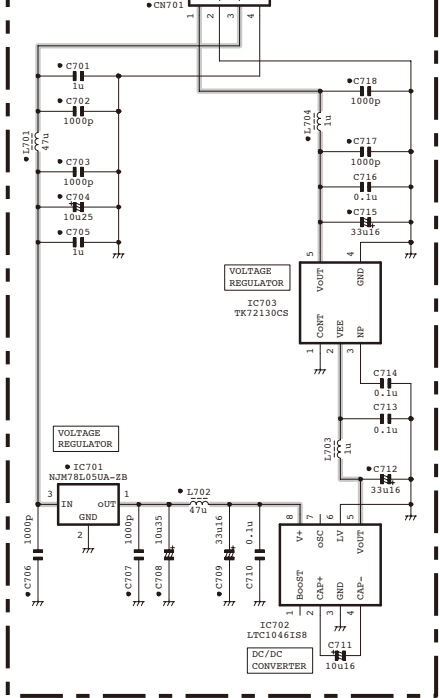
X45-3810-XX	L13	L14	L15	L18	R26	R33	R35	R36	R37	R39	R40	R124	R144	R145	R152	R153	C77	C87	C94	C95	C100	C116	C119	C122	C123	C126	C130	C131	C147	C148	C158	C161	C193	
-10	K	56n	56n	5.6n	82	100k	82k	82k	100k	270k	270k	10	0	NO	NO	NO	1000p	47p	0.1u	0.1u	1000p	NO	NO	56p	56p	18p	NO	33p	33p	NO	22p	12p	15p	68p
-11	K2	68n	68n	68n	NO	47	390k	68k	68k	390k	560k	560k	18	NO	0	470k	470k	NO	56p	NO	1000p	0.1u	7p	2p	100p	33p	22p	3p	39p	39p	3p	27p	15p	68p

# NXR-700 SCHEMATIC DIAGRAM

RX UNIT (X55-3090-XX)



FINAL UNIT (N-DC) (X45-3810-XX) (D/5)

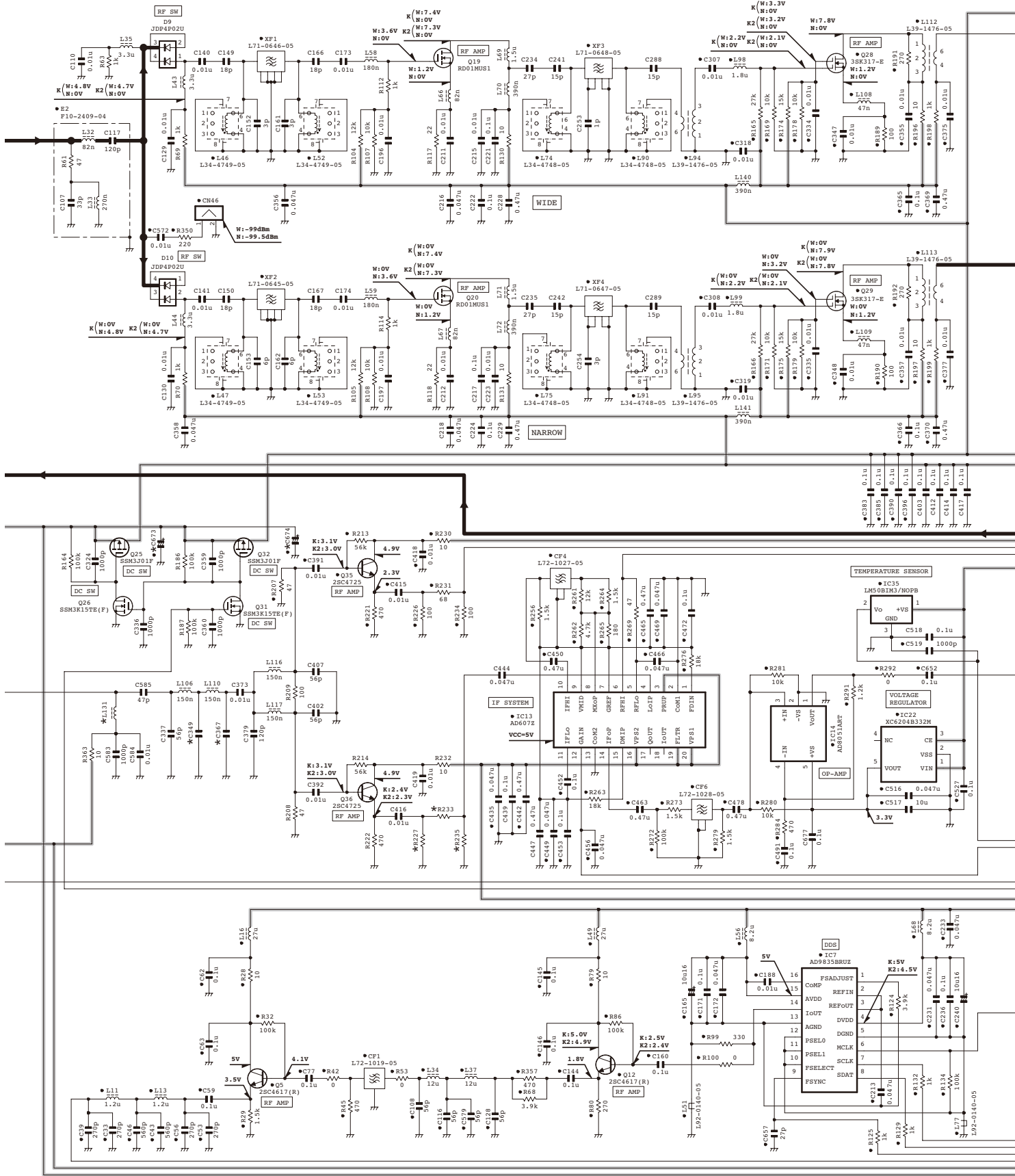


X55-3090-XX	L31	L36	L39	L76	L80	L92	L132	L133	L134	L135	L136	L137	L139
-10	K	33n	33n	33n	39n	39n	L34-4614-05 (8T)	L34-4614-05 (8T)	L34-4614-05 (8T)	L34-4614-05 (8T)	L34-4614-05 (8T)	L34-4614-05 (8T)	L34-4614-05 (8T)
-11	K2	39n	39n	39n	47n	47n	L34-4615-05 (9T)	L34-4615-05 (9T)	L34-4615-05 (9T)	L34-4615-05 (9T)	L34-4615-05 (9T)	L34-4615-05 (9T)	L34-4615-05 (9T)

X55-3090-XX	R8	R48	R50	R55	R362	R450	R451	C12	C103	C137	C232	C285	C624	C625	C626	C627	C628	C629	C631	C632	C633	C634	C636	C638	C640	C642	C644	C646	C648	C649	C650	C659	
-10	K	0	220	22	220	180	0	NO	8p	12p	12p	100p	47p	39p	5p	5p	6p	39p	6p	5p	5p	6p	39p	0.75p	0.75p	0.75p	0.75p	0.75p	0.75p	12p	12p	39p	6p
-11	K2	22	270	18	270	100	NO	0	6p	15p	15p	39p	12p	27p	4p	4p	5p	27p	5p	4p	4p	5p	27p	1p	1p	1p	1p	1p	15p	15p	27p	5p	

# SCHEMATIC DIAGRAM NXR-700

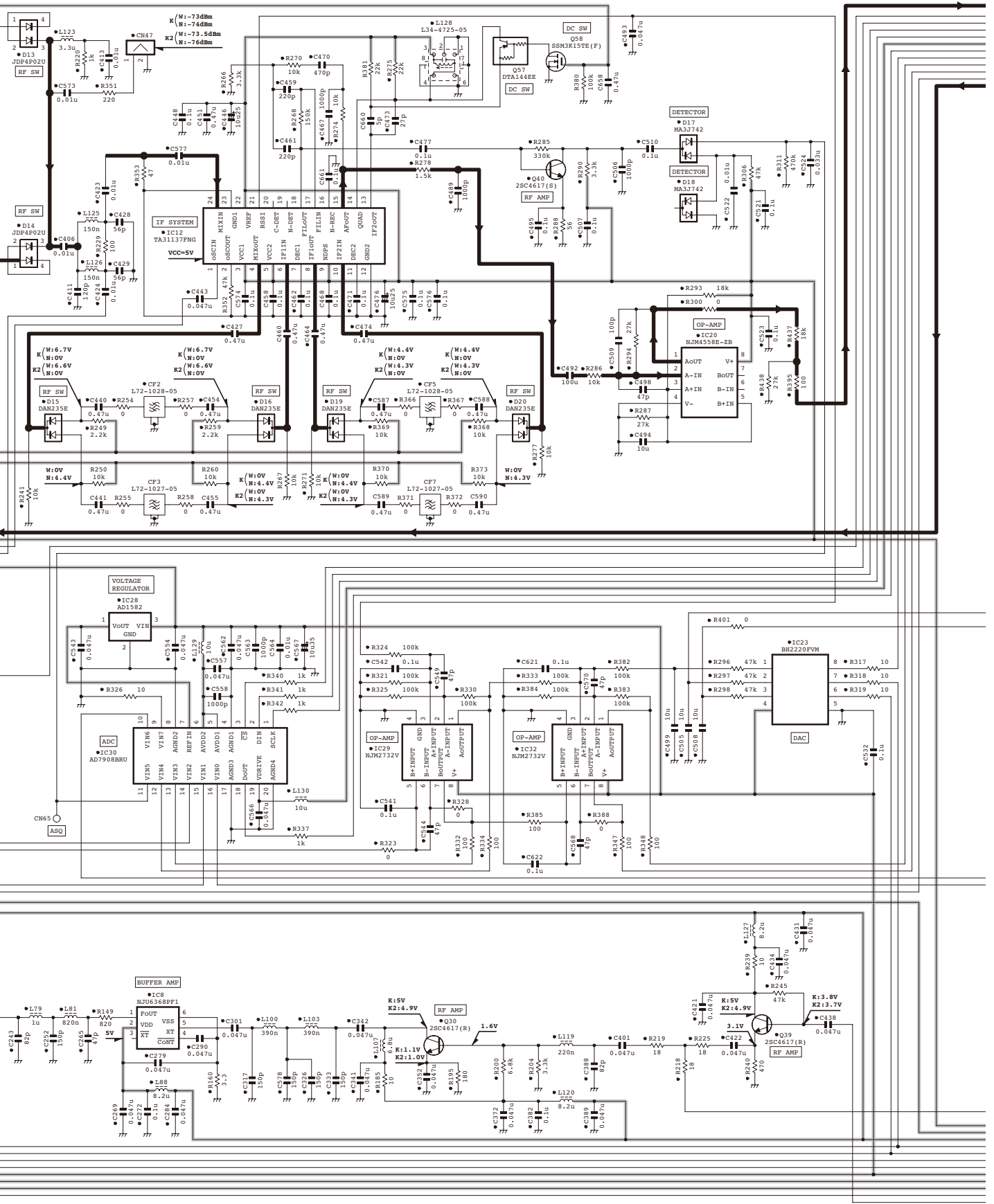
RX UNIT (X55-3090-XX)



X55-3090-XX	L131	R227	R233	R235	C349	C367	C673	C674
-10	K	150n	100	68	100	120p	47u25	47u25
-11	K2	560n	NO	0	NO	68p	33u16	33u16

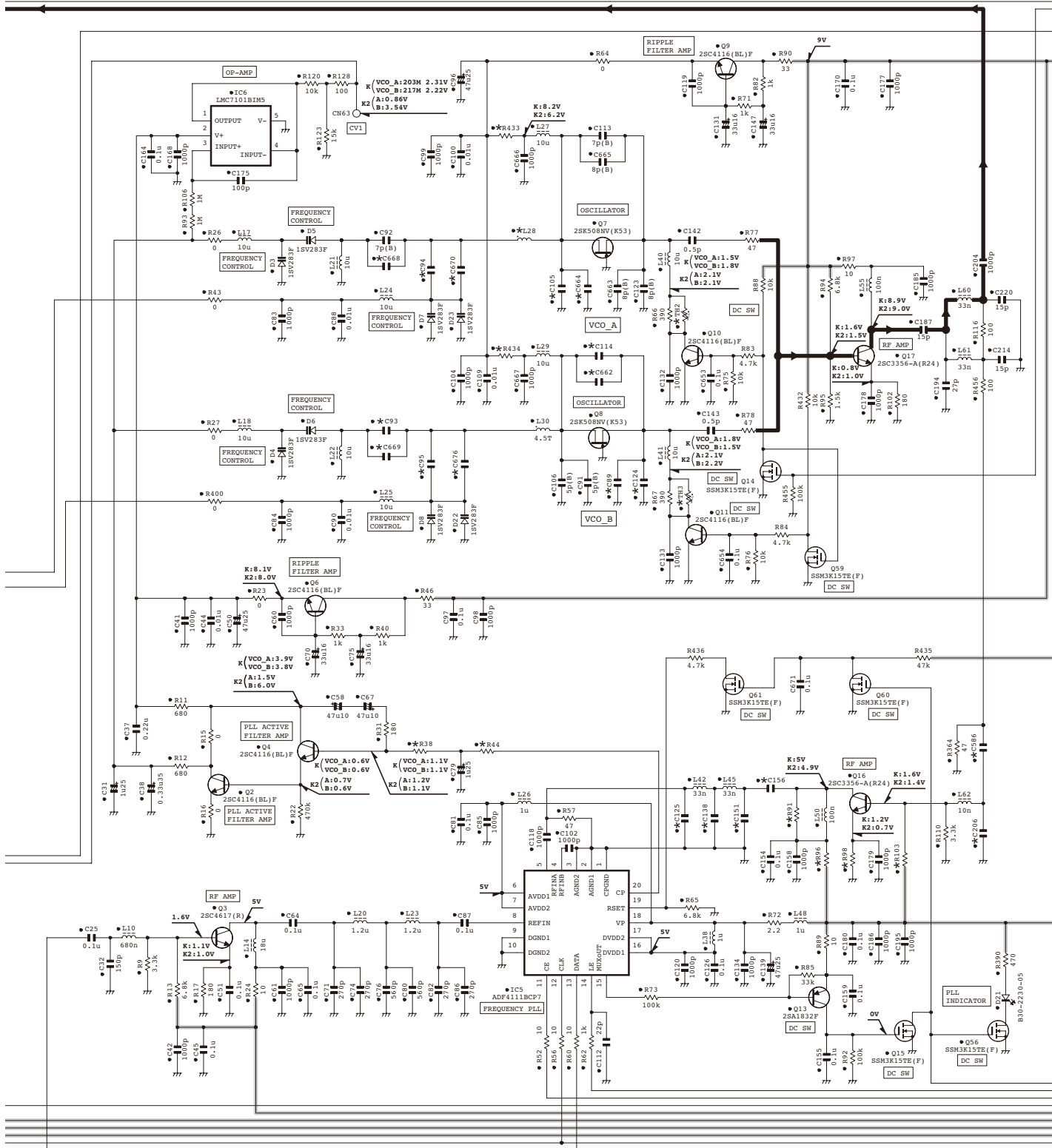
# NXR-700 SCHEMATIC DIAGRAM

RX UNIT (X55-3090-XX)



## SCHEMATIC DIAGRAM NXR-700

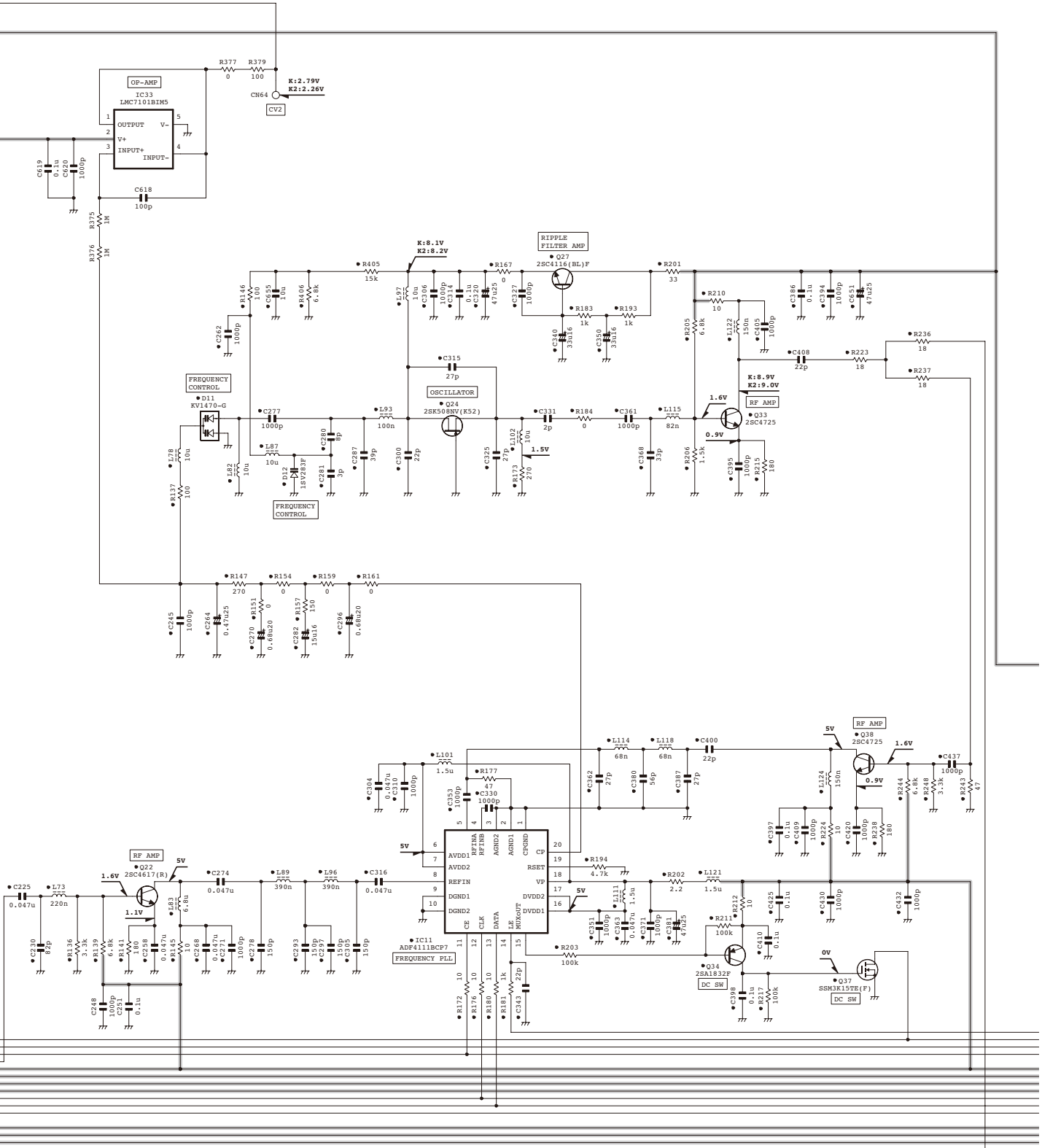
RX UNIT (X55-3090-XX)



X55-3090-XX	TH2	TH3	L28	R38	R44	R91	R96	R98	R103	R433	R434	C89	C93	C94	C95	C105	C114	C124	C125	C138	C151	C156	C206	C586	C662	C664	C668	C669	C670	C676
-10	K	NO	NO	L34-4586-05(4.5T)	47	22	100	10	180	6.8k	150	150	7p	6p	5p	8p	6p	6p	33p	15p	15p	15p	100p	7p	6p	6p	7p	5p	NO	
-11	K2	157-103-53007(10k)	157-103-53007(10k)	L34-4599-05(5.5T)	100	0	1k	47	220	8.2k	330	330	8p	7p	7p	5p	7p	8p	18p	39p	22p	18p	NO	10p	8p	5p	7p	8p	6p	7p

# NXR-700 SCHEMATIC DIAGRAM

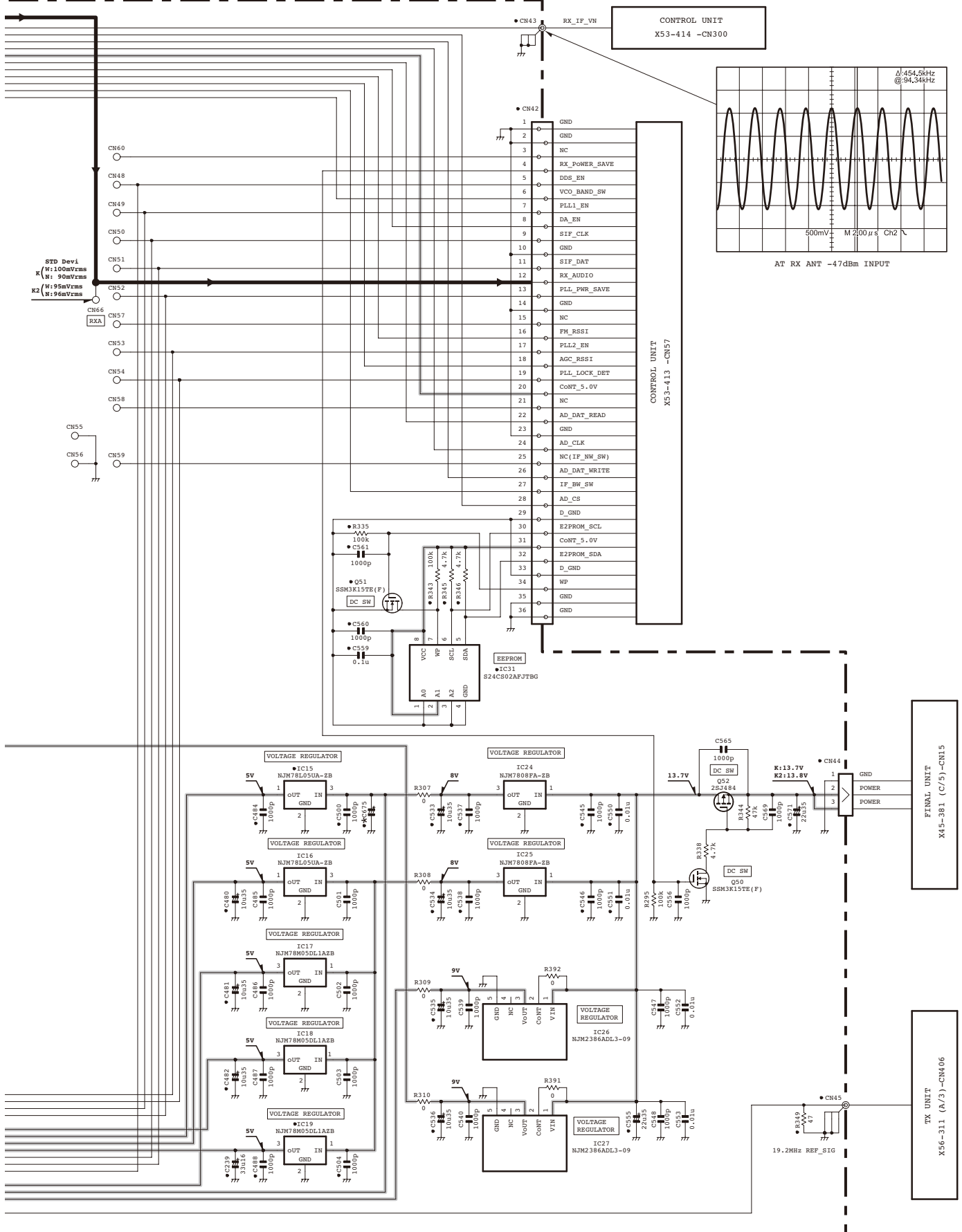
RX UNIT (X55-3090-XX)





# SCHEMATIC DIAGRAM NXR-700

RX UNIT (X55-3090-XX)

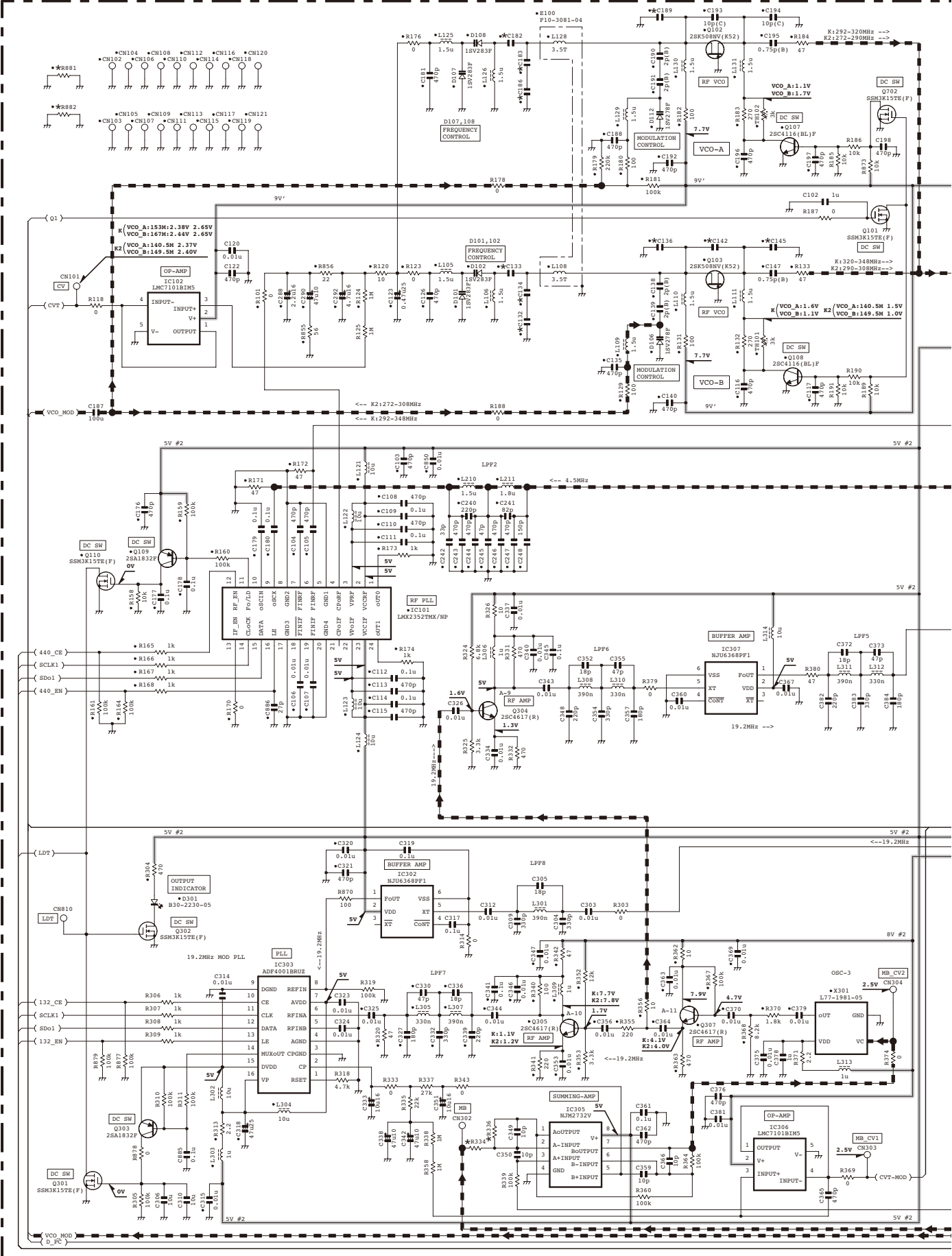


X55-3090-XX	C675
-10	R 47u25
-11	K2 33u14

Note : The components marked with a dot (•) are parts of layer 1.

# NXR-700 SCHEMATIC DIAGRAM

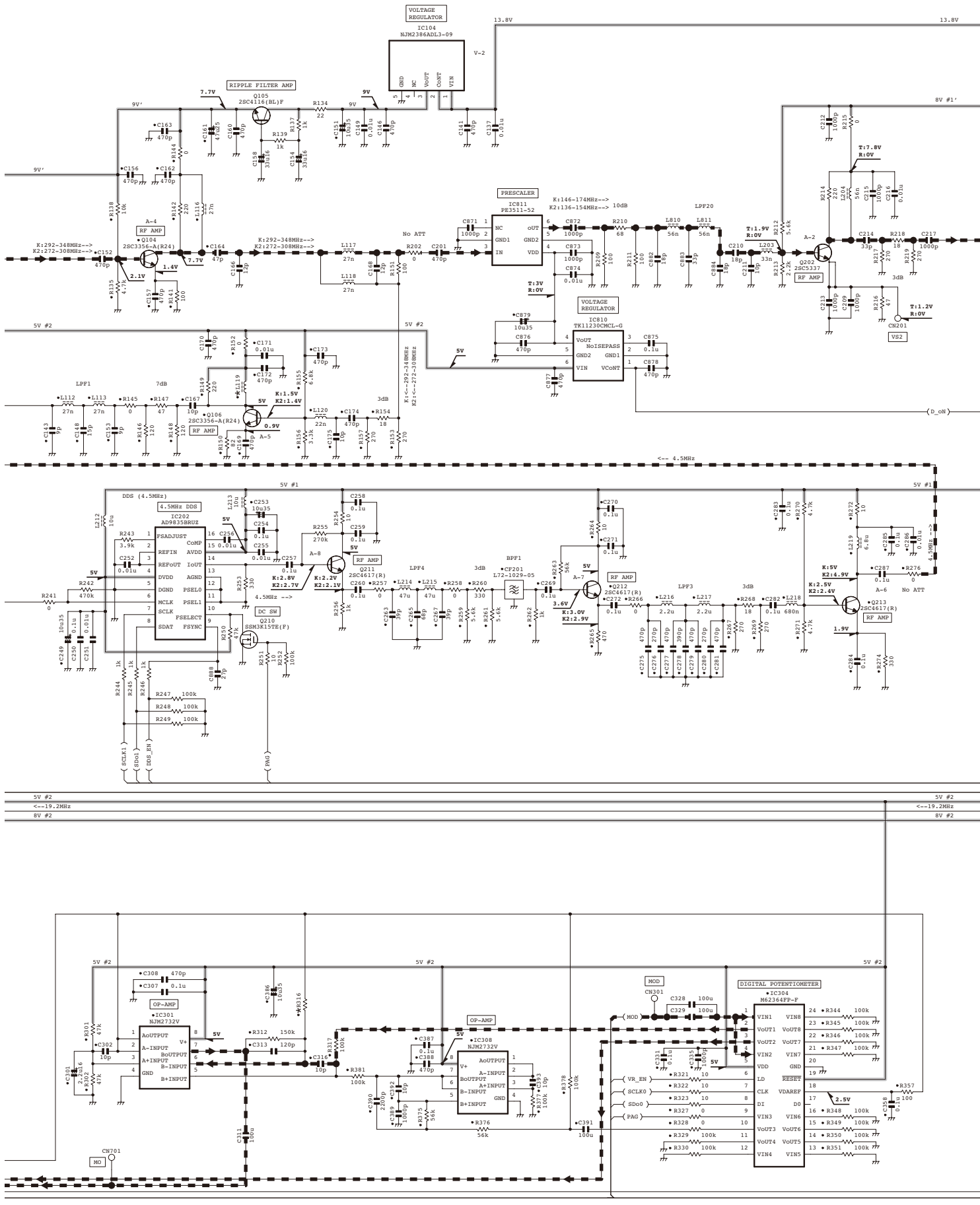
TX UNIT (X56-3110-XX) (A/3)



	X56-3110-XX	R334	R336	R881	R882	C132	C133	C134	C136	C142	C145	C182	C183	C186	C189
-10	K	47k	330k	0	NO	NO	12p	NO	8p	8p	18p	2p	1.5p	8p	
-11	K2	33k	270k	NO	0	1.5p	18p	2p	9p	10p	10p	27p	3p	4p	10p

# SCHEMATIC DIAGRAM NXR-700

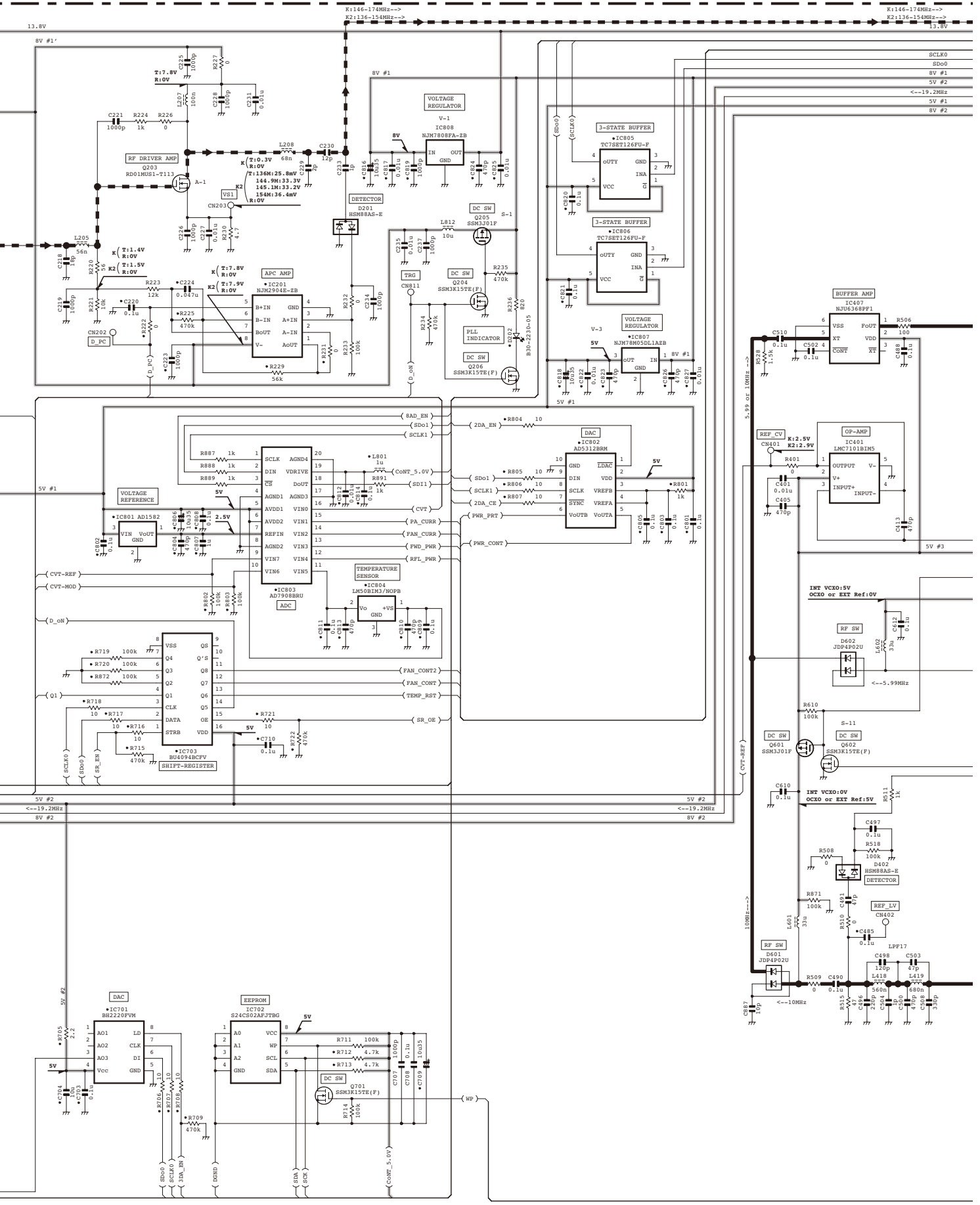
TX UNIT (X56-3110-XX) (A/3)



X56-3110-XX	L119	R316
-10	K	15n 68k
-11	K2	18n 56k

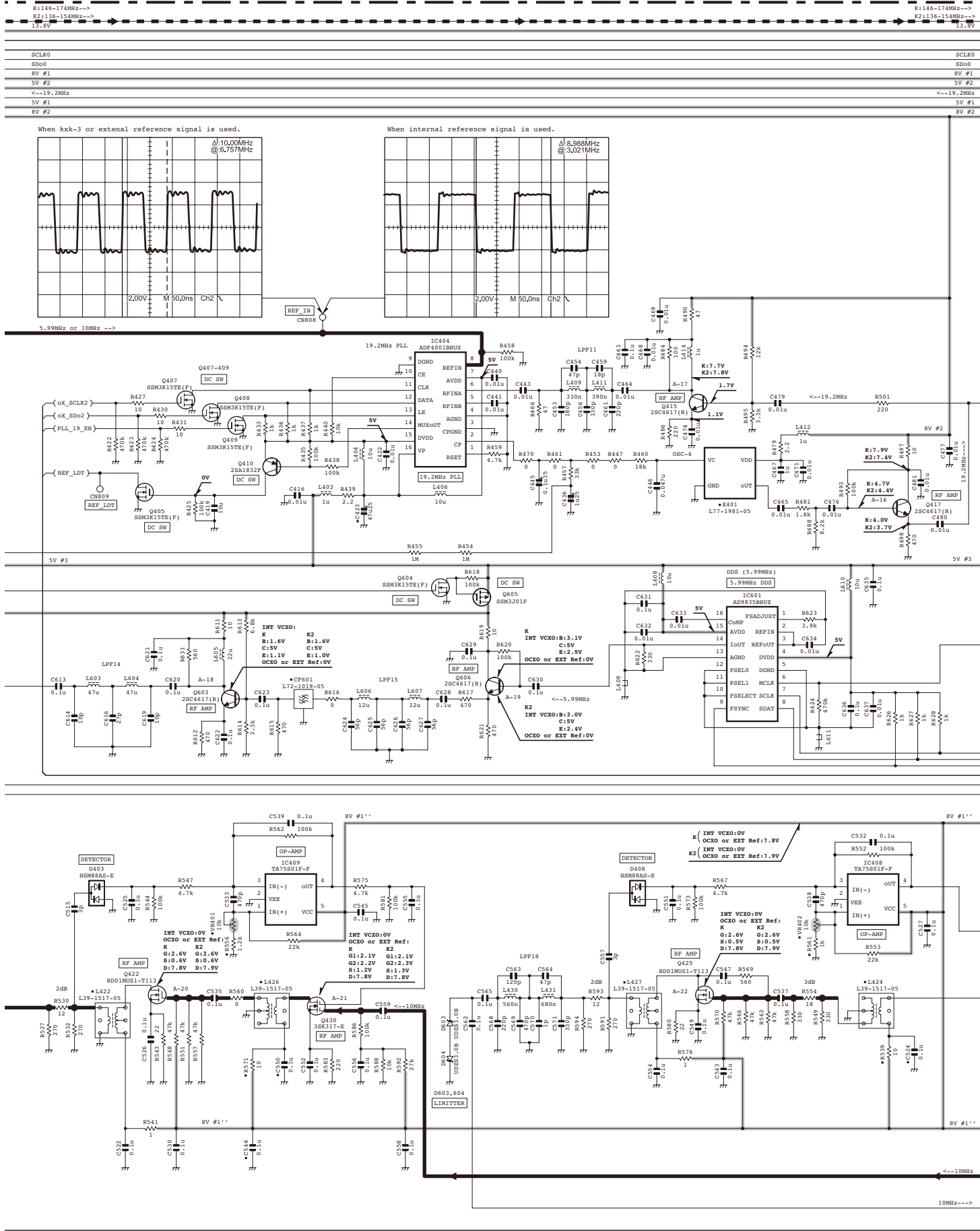
# NXR-700 SCHEMATIC DIAGRAM

TX UNIT (X56-3110-XX) (A/3)



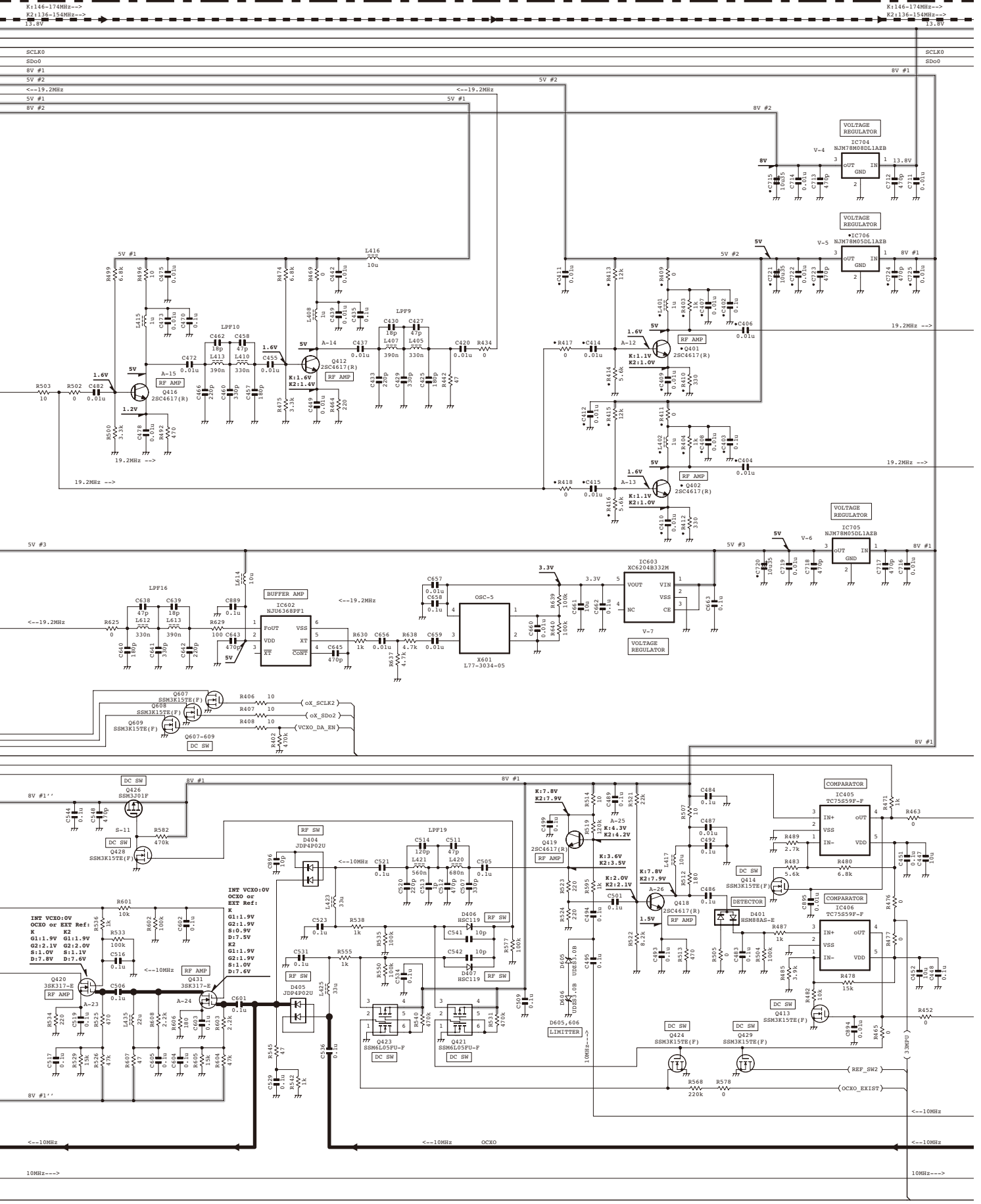
# SCHEMATIC DIAGRAM NXR-700

TX UNIT (X56-3110-XX) (A/3)



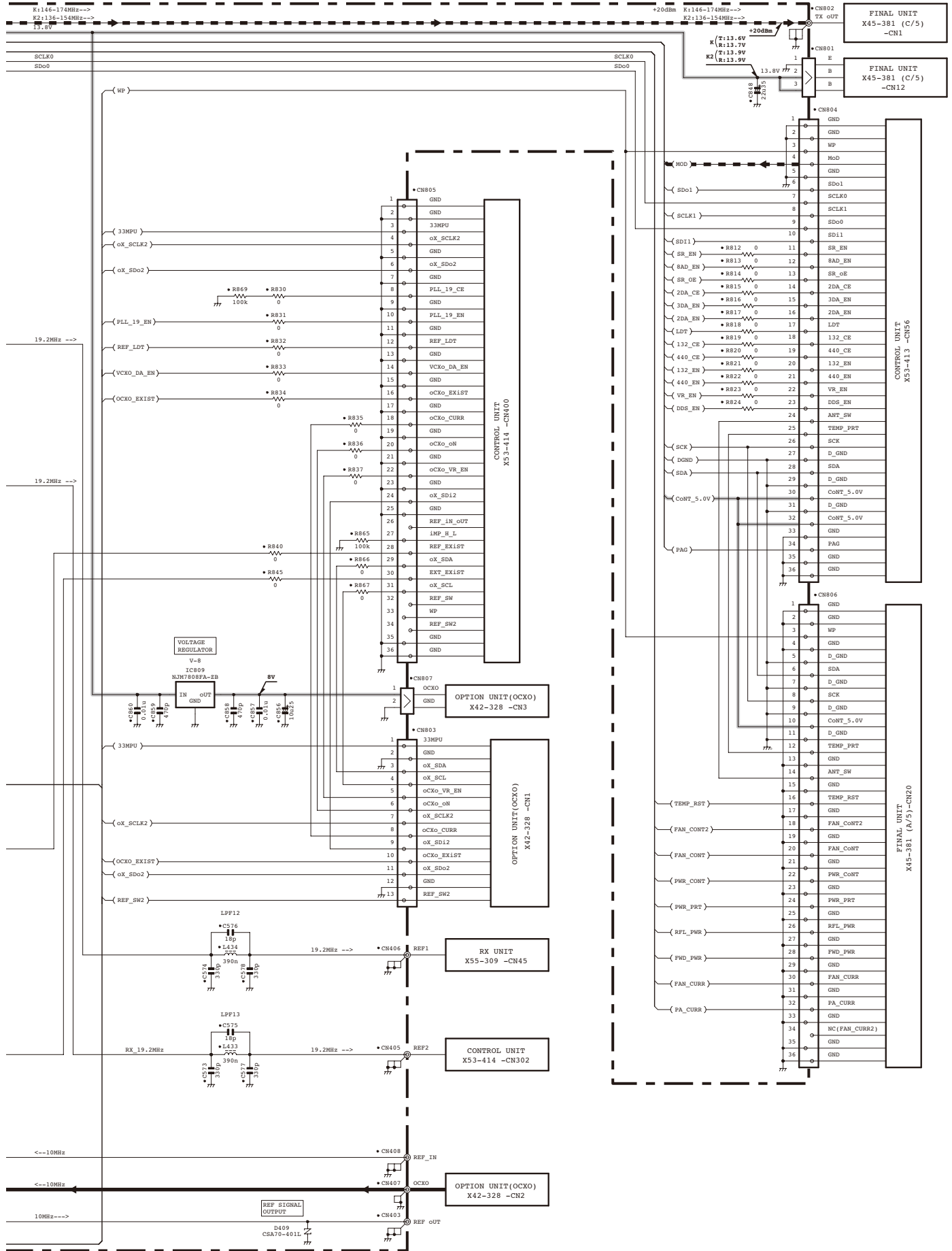
# NXR-700 SCHEMATIC DIAGRAM

TX UNIT (X56-3110-XX) (A/3)



# SCHEMATIC DIAGRAM NXR-700

TX UNIT (X56-3110-XX) (A/3)

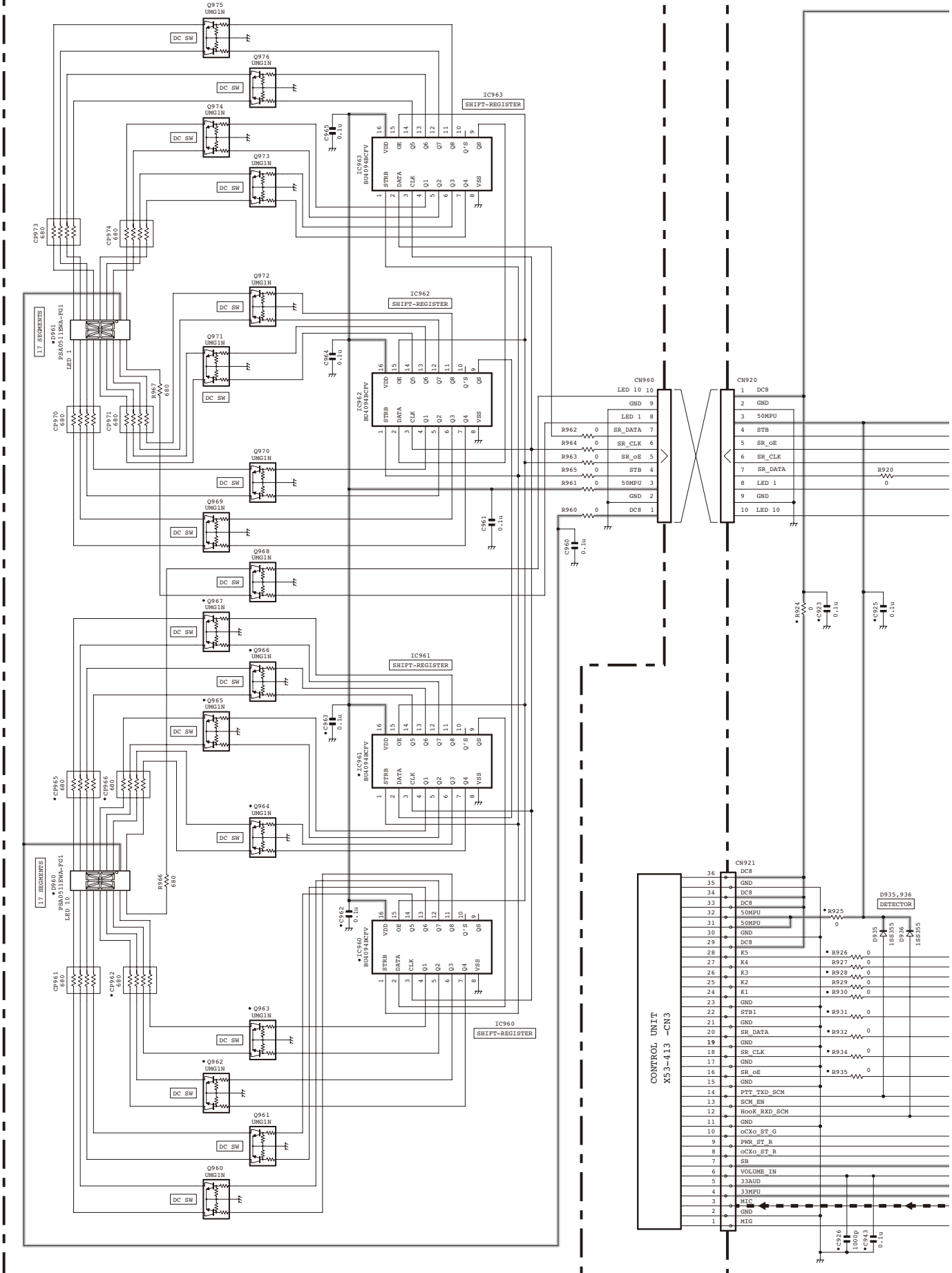


Note : The components marked with a dot (•) are parts of layer 1.

# NXR-700 SCHEMATIC DIAGRAM

TX UNIT (17SEG)  
(X56-3110-XX)

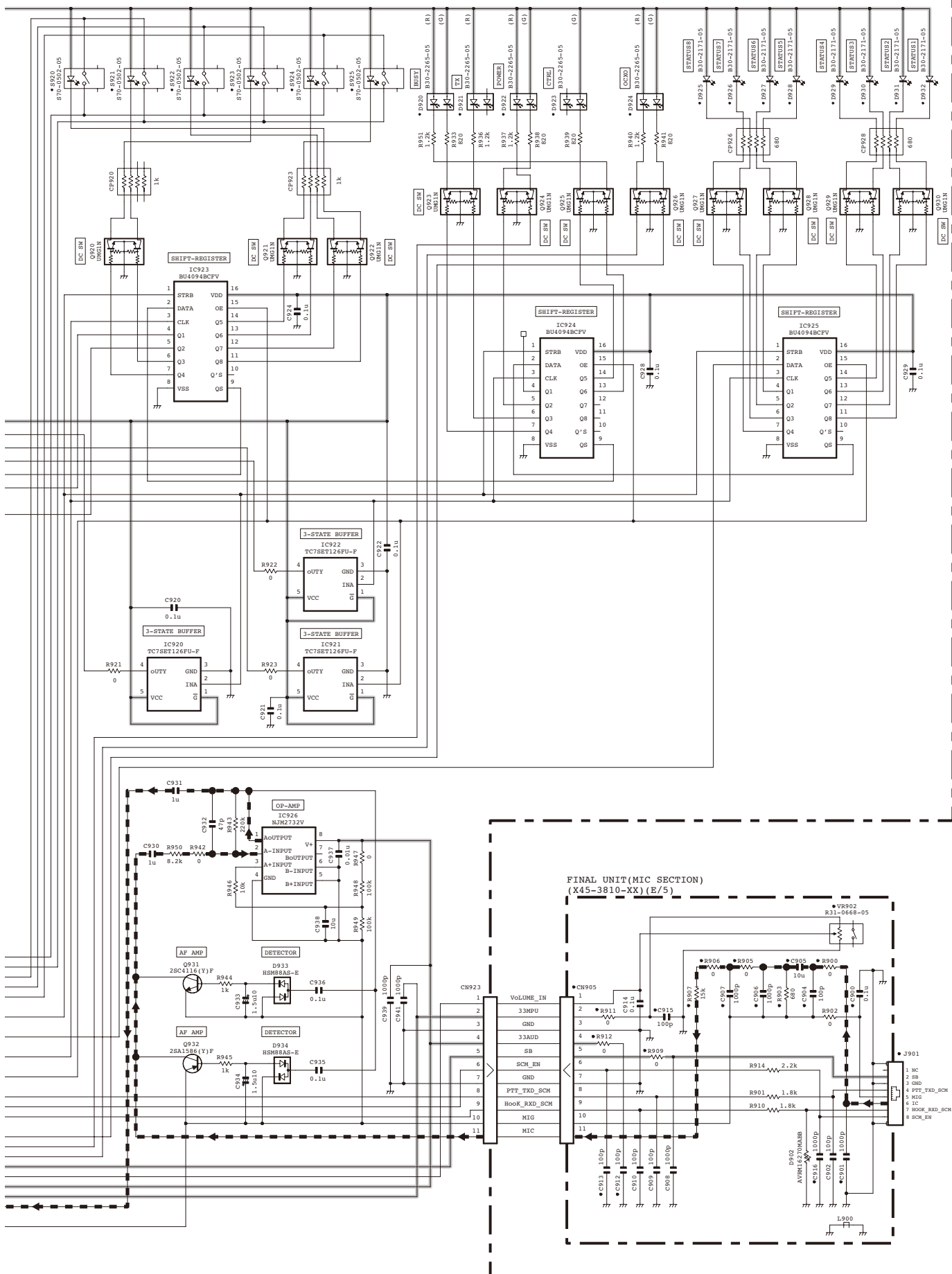
TX UNIT (LED)  
(X56-3110-XX)





# SCHEMATIC DIAGRAM NXR-700

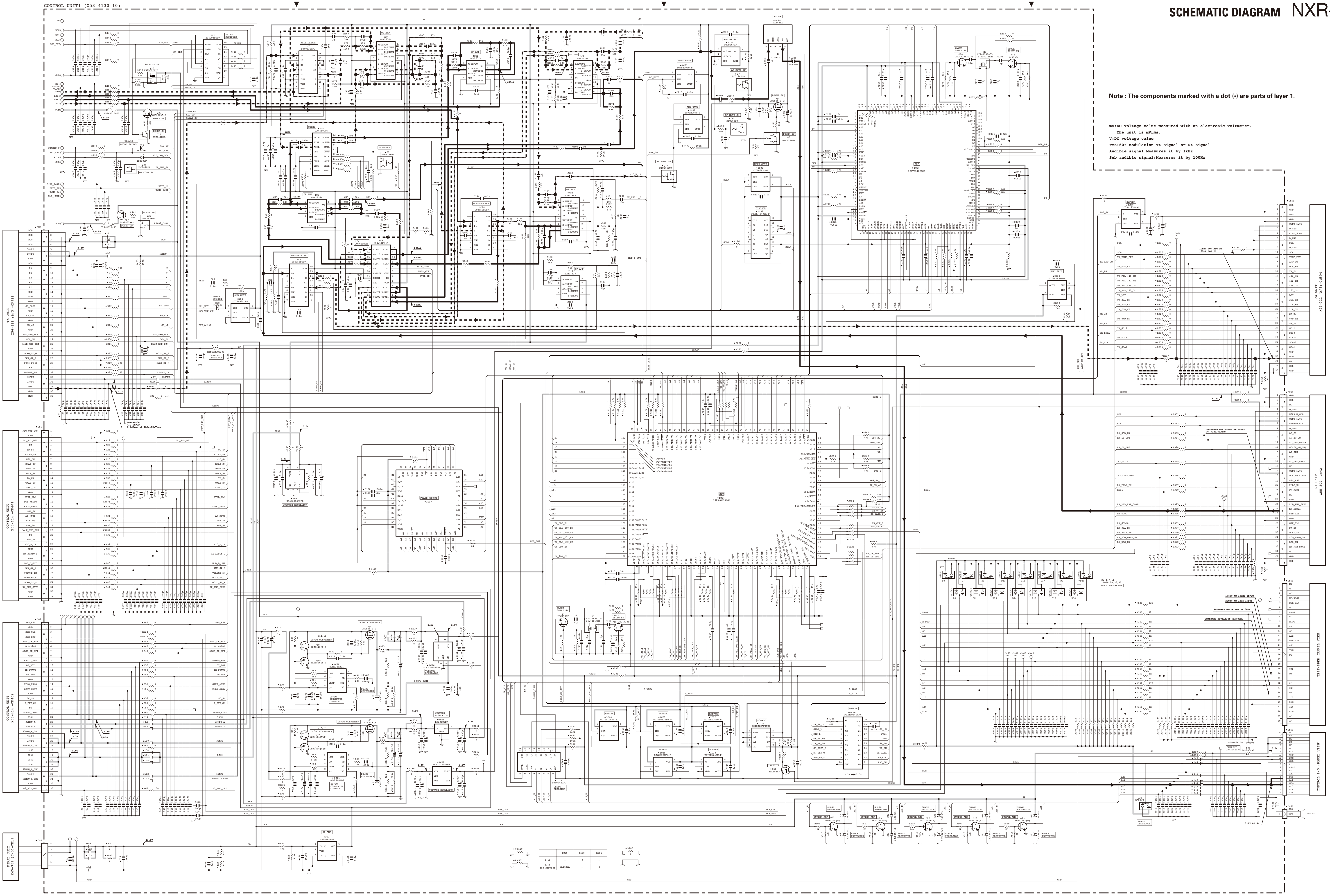
TX UNIT (LED)  
(X56-3110-XX) (B/3)



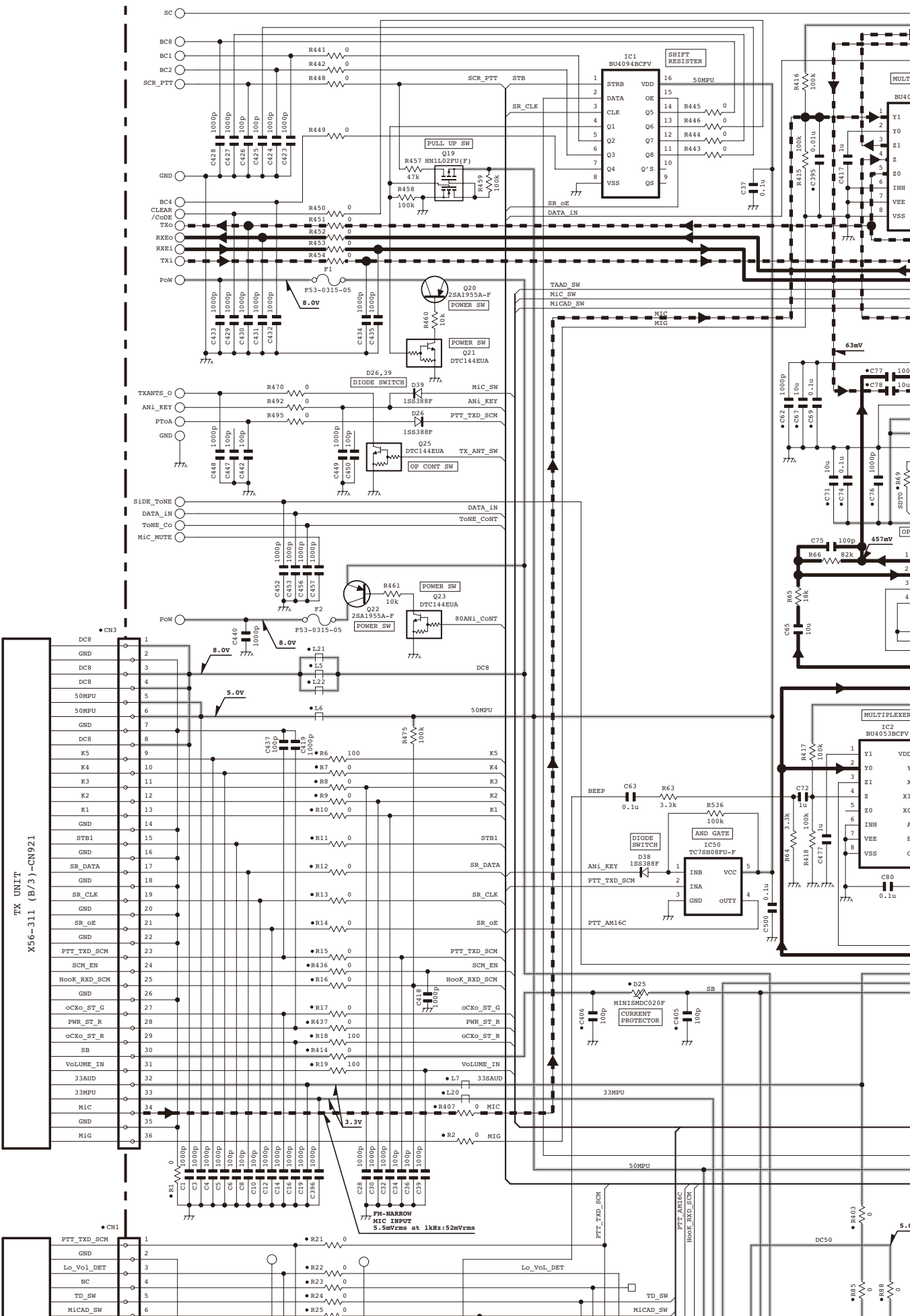
Note : The components marked with a dot (•) are parts of layer 1.

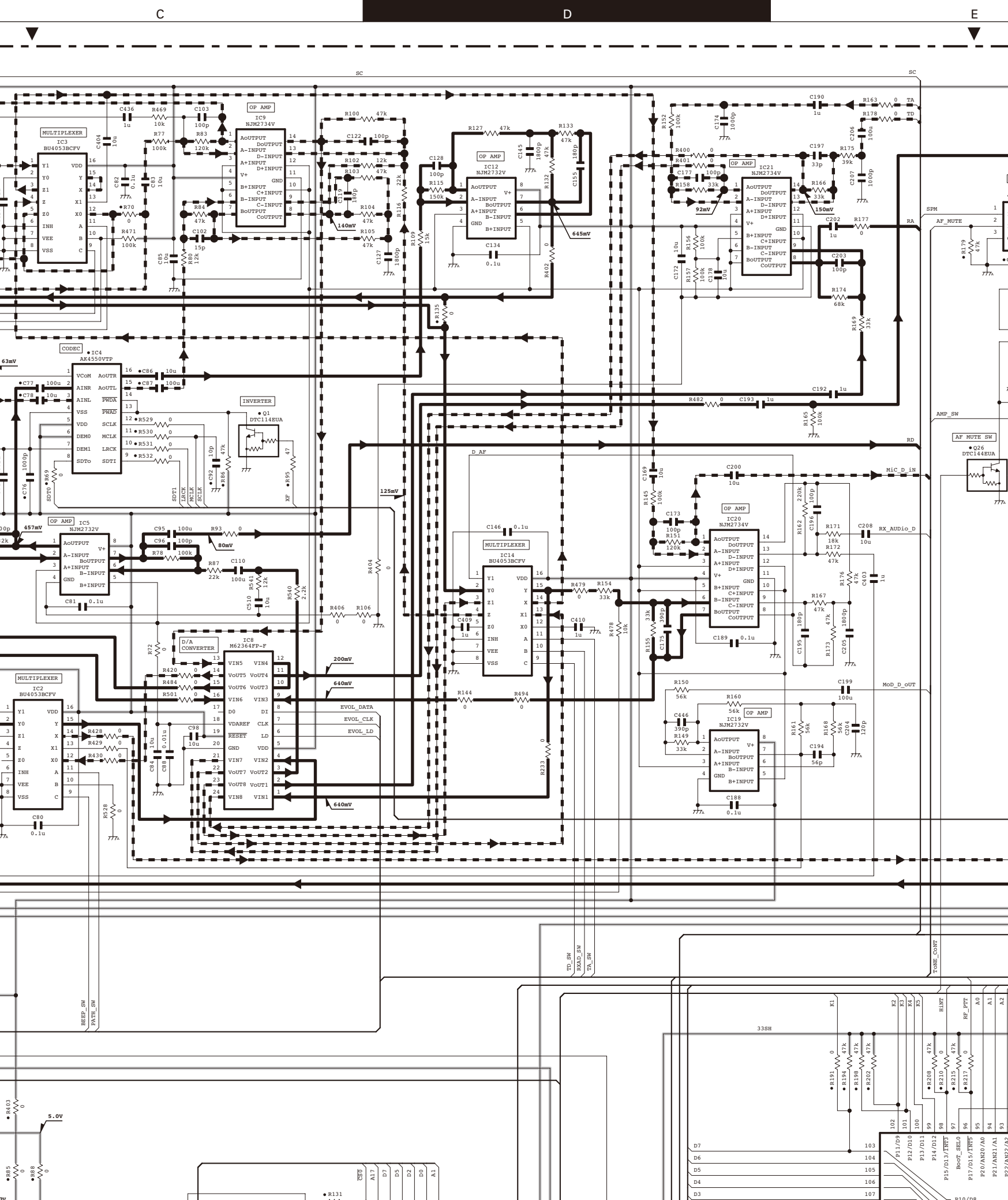
Note : The components marked with a dot (·) are parts of layer 1.

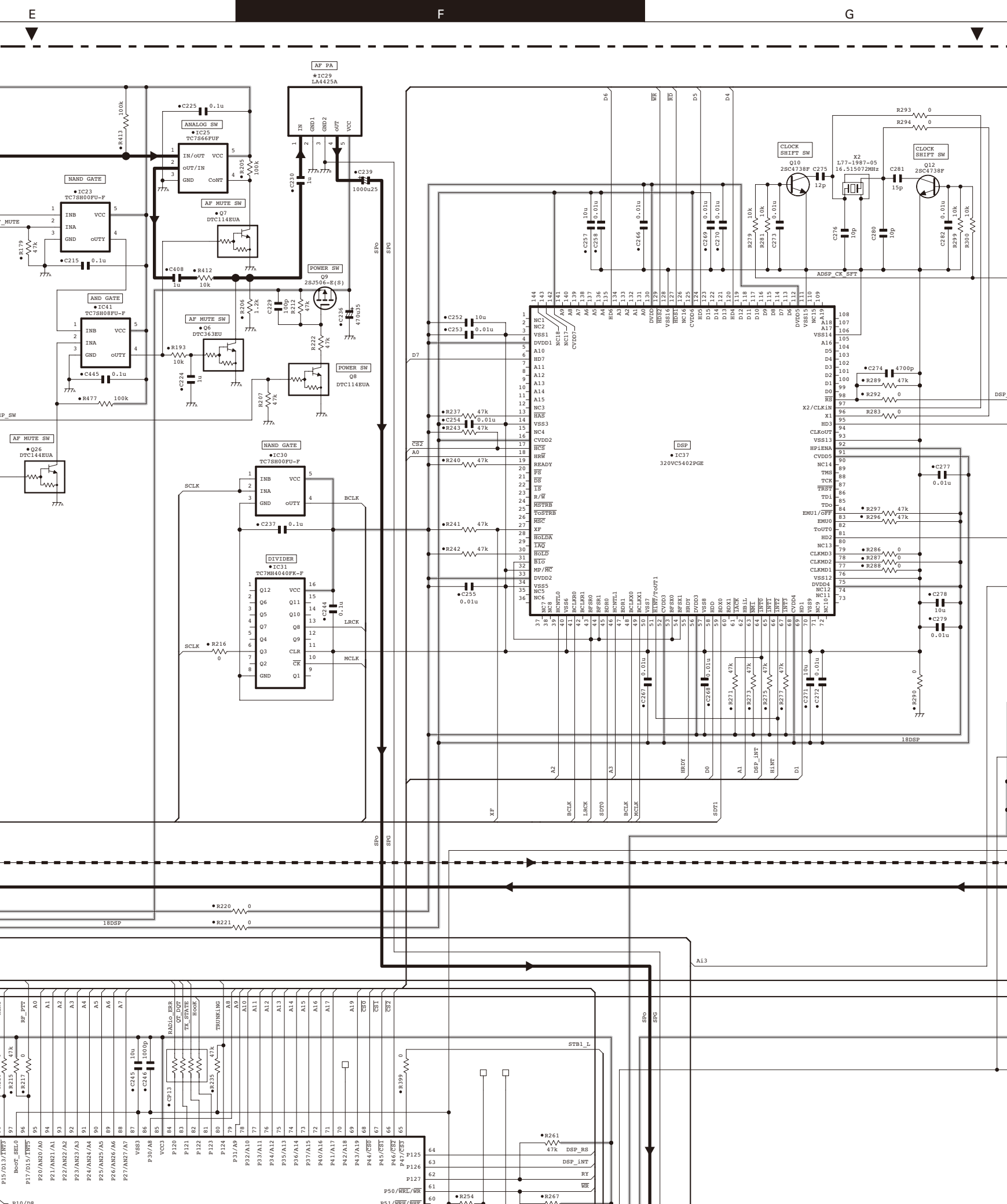
mV: AC voltage value measured with an electronic voltmeter.  
 The unit is mVrms.  
 V: DC voltage value  
 m: 1000 modulation PT signal or RT signal  
 Audible signal: Measures it by kHz  
 Sub audible signal: Measures it by 100Hz



CONTROL UNIT1 (X53-4130-10)







E

F

G

AF PA  
\*IC29  
LA4423A

ANALOG SW  
\*IC25  
TC7S66FUF

IN/OUT VCC  
OUT/IN GND CONT

AF MUTE SW  
\*IC11  
DTC144EUA

AND GATE  
\*IC23  
TC7SH00FU-F

AND GATE  
\*IC11  
TC7SH00FU-F

AF MUTE SW  
\*IC11  
DTC144EUA

POWER SW  
\*IC9  
2S2506E-E(S)

POWER SW  
\*IC8  
DTC144EUA

NAND GATE  
\*IC23  
TC7SH00FU-F

AND GATE  
\*IC11  
TC7SH00FU-F

DIVIDER  
\*IC31  
TC7MH4040FK-F

Q12 VCC  
Q11 GND  
Q10 VCC  
Q9 GND  
Q8 VCC  
Q7 GND  
Q6 VCC  
Q5 GND  
Q4 VCC  
Q3 GND  
Q2 VCC  
Q1 GND

Q12 VCC  
Q11 GND  
Q10 VCC  
Q9 GND  
Q8 VCC  
Q7 GND  
Q6 VCC  
Q5 GND  
Q4 VCC  
Q3 GND  
Q2 VCC  
Q1 GND

Q12 VCC  
Q11 GND  
Q10 VCC  
Q9 GND  
Q8 VCC  
Q7 GND  
Q6 VCC  
Q5 GND  
Q4 VCC  
Q3 GND  
Q2 VCC  
Q1 GND

Q12 VCC  
Q11 GND  
Q10 VCC  
Q9 GND  
Q8 VCC  
Q7 GND  
Q6 VCC  
Q5 GND  
Q4 VCC  
Q3 GND  
Q2 VCC  
Q1 GND

Q12 VCC  
Q11 GND  
Q10 VCC  
Q9 GND  
Q8 VCC  
Q7 GND  
Q6 VCC  
Q5 GND  
Q4 VCC  
Q3 GND  
Q2 VCC  
Q1 GND

Q12 VCC  
Q11 GND  
Q10 VCC  
Q9 GND  
Q8 VCC  
Q7 GND  
Q6 VCC  
Q5 GND  
Q4 VCC  
Q3 GND  
Q2 VCC  
Q1 GND

Q12 VCC  
Q11 GND  
Q10 VCC  
Q9 GND  
Q8 VCC  
Q7 GND  
Q6 VCC  
Q5 GND  
Q4 VCC  
Q3 GND  
Q2 VCC  
Q1 GND

Q12 VCC  
Q11 GND  
Q10 VCC  
Q9 GND  
Q8 VCC  
Q7 GND  
Q6 VCC  
Q5 GND  
Q4 VCC  
Q3 GND  
Q2 VCC  
Q1 GND

Q12 VCC  
Q11 GND  
Q10 VCC  
Q9 GND  
Q8 VCC  
Q7 GND  
Q6 VCC  
Q5 GND  
Q4 VCC  
Q3 GND  
Q2 VCC  
Q1 GND

Q12 VCC  
Q11 GND  
Q10 VCC  
Q9 GND  
Q8 VCC  
Q7 GND  
Q6 VCC  
Q5 GND  
Q4 VCC  
Q3 GND  
Q2 VCC  
Q1 GND

Q12 VCC  
Q11 GND  
Q10 VCC  
Q9 GND  
Q8 VCC  
Q7 GND  
Q6 VCC  
Q5 GND  
Q4 VCC  
Q3 GND  
Q2 VCC  
Q1 GND

Q12 VCC  
Q11 GND  
Q10 VCC  
Q9 GND  
Q8 VCC  
Q7 GND  
Q6 VCC  
Q5 GND  
Q4 VCC  
Q3 GND  
Q2 VCC  
Q1 GND

Q12 VCC  
Q11 GND  
Q10 VCC  
Q9 GND  
Q8 VCC  
Q7 GND  
Q6 VCC  
Q5 GND  
Q4 VCC  
Q3 GND  
Q2 VCC  
Q1 GND

Q12 VCC  
Q11 GND  
Q10 VCC  
Q9 GND  
Q8 VCC  
Q7 GND  
Q6 VCC  
Q5 GND  
Q4 VCC  
Q3 GND  
Q2 VCC  
Q1 GND

IC37  
320VCS402PGE

IC37  
320VCS402PGE

IC37  
320VCS402PGE

IC37  
320VCS402PGE

IC37  
320VCS402PGE

IC37  
320VCS402PGE

IC37  
320VCS402PGE

IC37  
320VCS402PGE

IC37  
320VCS402PGE

IC37  
320VCS402PGE

IC37  
320VCS402PGE

IC37  
320VCS402PGE

IC37  
320VCS402PGE

IC37  
320VCS402PGE

IC37  
320VCS402PGE

IC37  
320VCS402PGE

IC37  
320VCS402PGE

IC37  
320VCS402PGE

IC37  
320VCS402PGE

IC37  
320VCS402PGE

IC37  
320VCS402PGE

IC37  
320VCS402PGE

CLOCK SHIFT SW  
X2  
L77-1987-05  
16.515072MHz

CLOCK SHIFT SW  
X2  
L77-1987-05  
16.515072MHz

CLOCK SHIFT SW  
X2  
L77-1987-05  
16.515072MHz

CLOCK SHIFT SW  
X2  
L77-1987-05  
16.515072MHz

CLOCK SHIFT SW  
X2  
L77-1987-05  
16.515072MHz

CLOCK SHIFT SW  
X2  
L77-1987-05  
16.515072MHz

CLOCK SHIFT SW  
X2  
L77-1987-05  
16.515072MHz

CLOCK SHIFT SW  
X2  
L77-1987-05  
16.515072MHz

CLOCK SHIFT SW  
X2  
L77-1987-05  
16.515072MHz

CLOCK SHIFT SW  
X2  
L77-1987-05  
16.515072MHz

CLOCK SHIFT SW  
X2  
L77-1987-05  
16.515072MHz

CLOCK SHIFT SW  
X2  
L77-1987-05  
16.515072MHz

CLOCK SHIFT SW  
X2  
L77-1987-05  
16.515072MHz

CLOCK SHIFT SW  
X2  
L77-1987-05  
16.515072MHz

CLOCK SHIFT SW  
X2  
L77-1987-05  
16.515072MHz

CLOCK SHIFT SW  
X2  
L77-1987-05  
16.515072MHz

CLOCK SHIFT SW  
X2  
L77-1987-05  
16.515072MHz

CLOCK SHIFT SW  
X2  
L77-1987-05  
16.515072MHz

CLOCK SHIFT SW  
X2  
L77-1987-05  
16.515072MHz

CLOCK SHIFT SW  
X2  
L77-1987-05  
16.515072MHz

CLOCK SHIFT SW  
X2  
L77-1987-05  
16.515072MHz

CLOCK SHIFT SW  
X2  
L77-1987-05  
16.515072MHz

CLOCK SHIFT SW  
X2  
L77-1987-05  
16.515072MHz

CLOCK SHIFT SW  
X2  
L77-1987-05  
16.515072MHz

CLOCK SHIFT SW  
X2  
L77-1987-05  
16.515072MHz

CLOCK SHIFT SW  
X2  
L77-1987-05  
16.515072MHz

# SCHEMATIC DIAGRAM NXR-700

Note : The components marked with a dot (•) are parts of layer 1.

mV:AC voltage value measured with an electronic voltmeter.

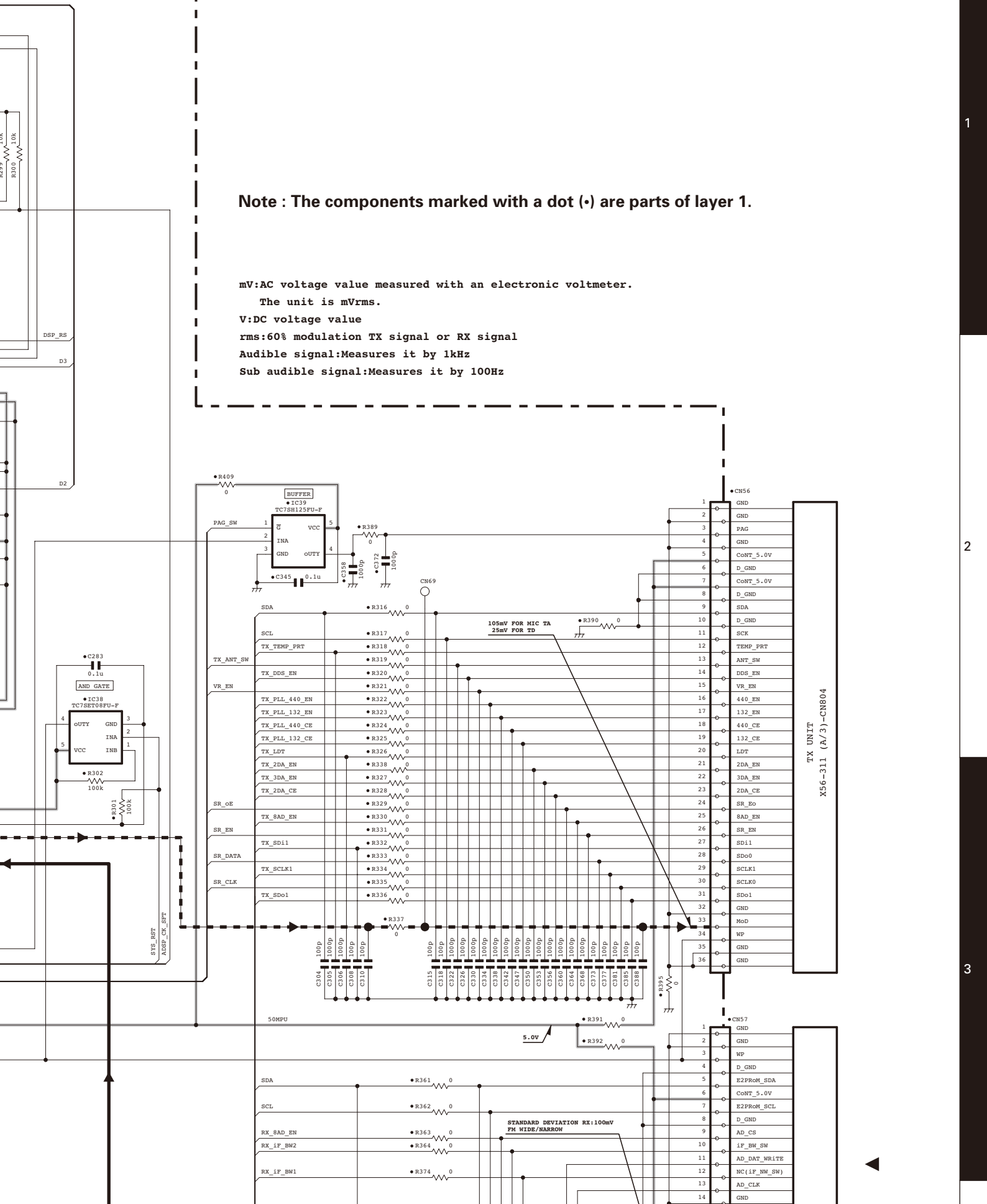
The unit is mVrms.

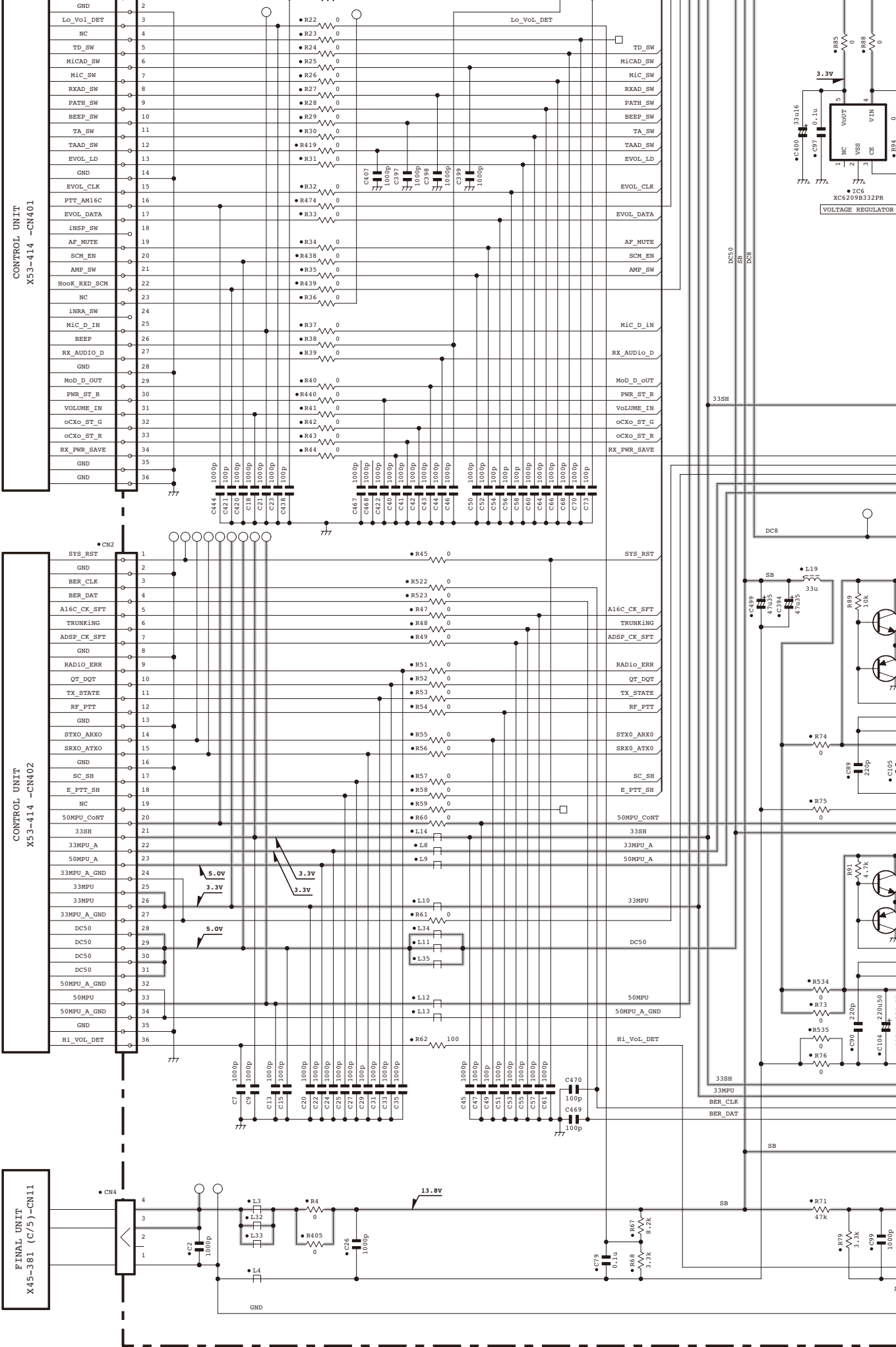
V:DC voltage value

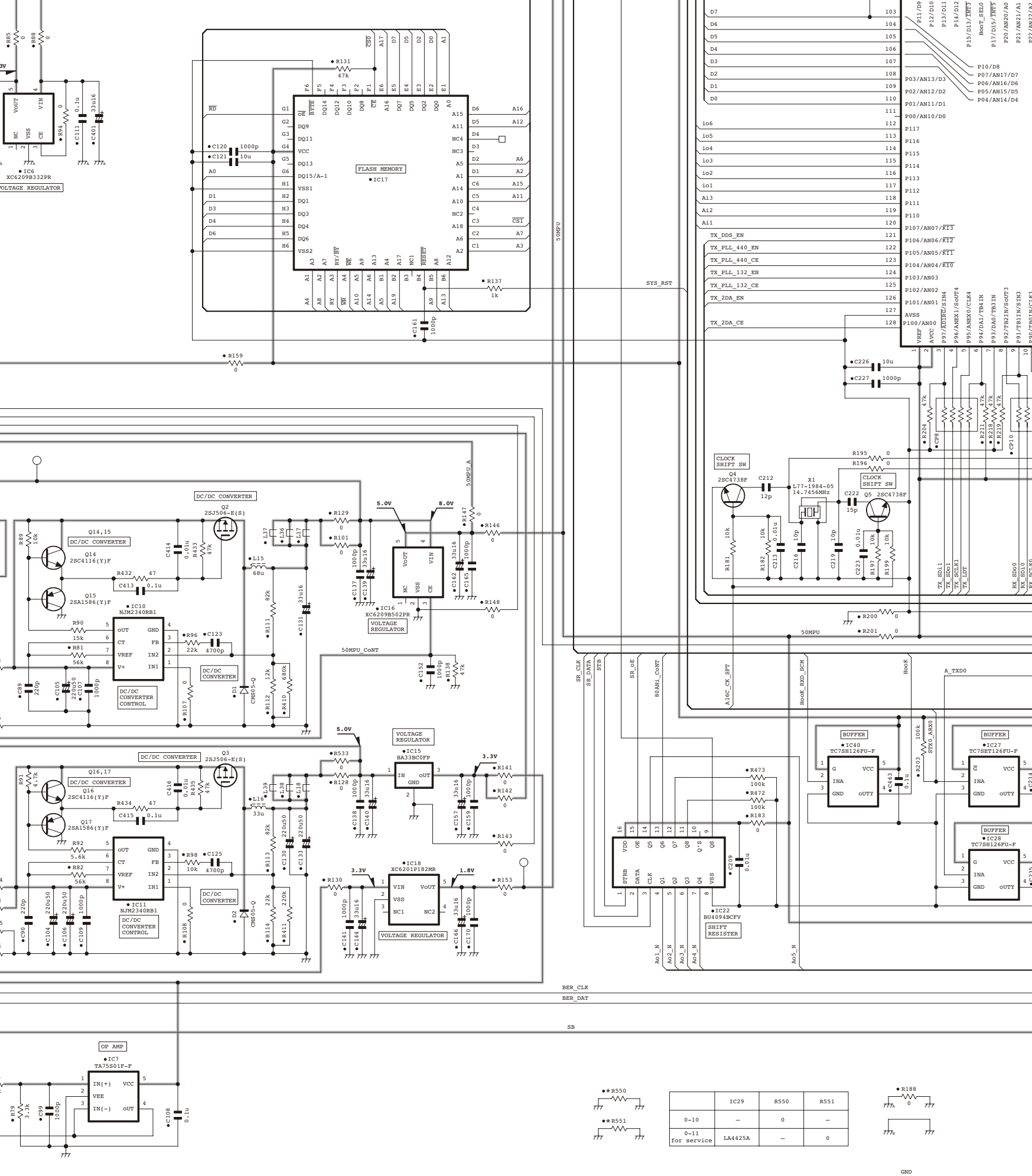
rms:60% modulation TX signal or RX signal

Audible signal:Measures it by 1kHz

Sub audible signal:Measures it by 100Hz







50MPU

SYS\_RST

50MPU CoNT

BER\_CLK

BER\_DAT

SB

50MPU

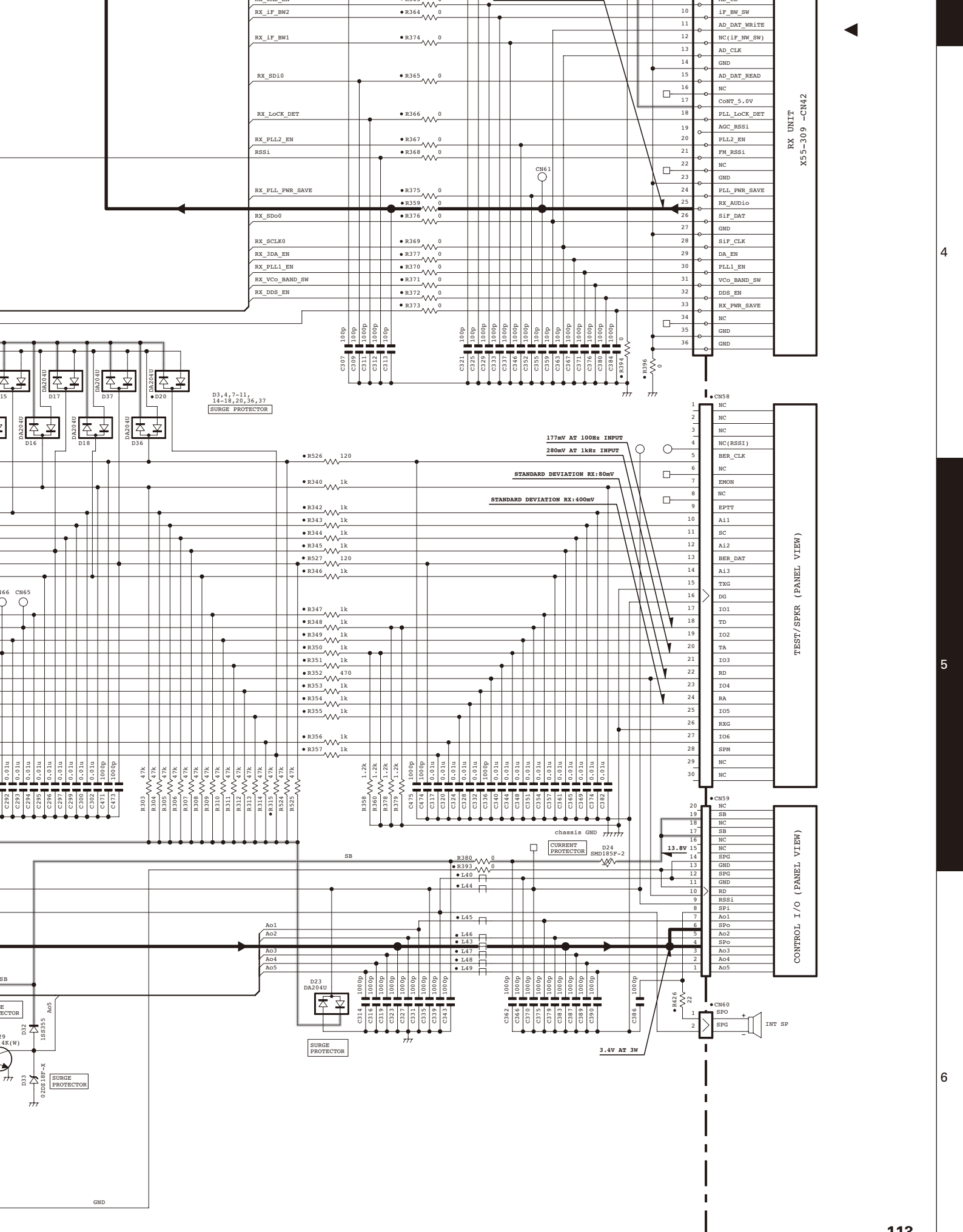
GND

	IC29	R550	R551
0-10	-	0	-
0-11 for service	LA4425A	-	0

GND



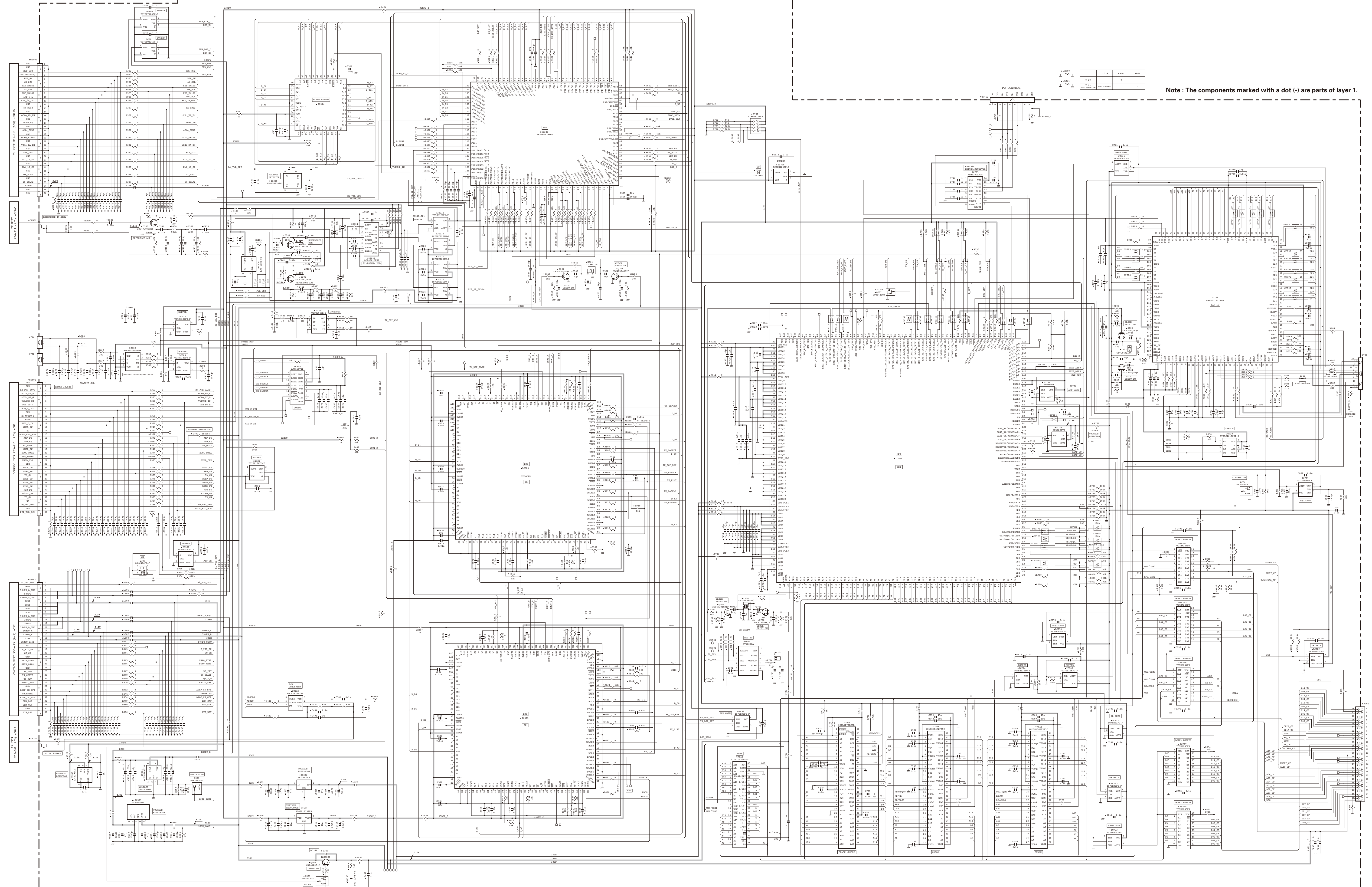




RX UNIT  
X55-309 -CN42

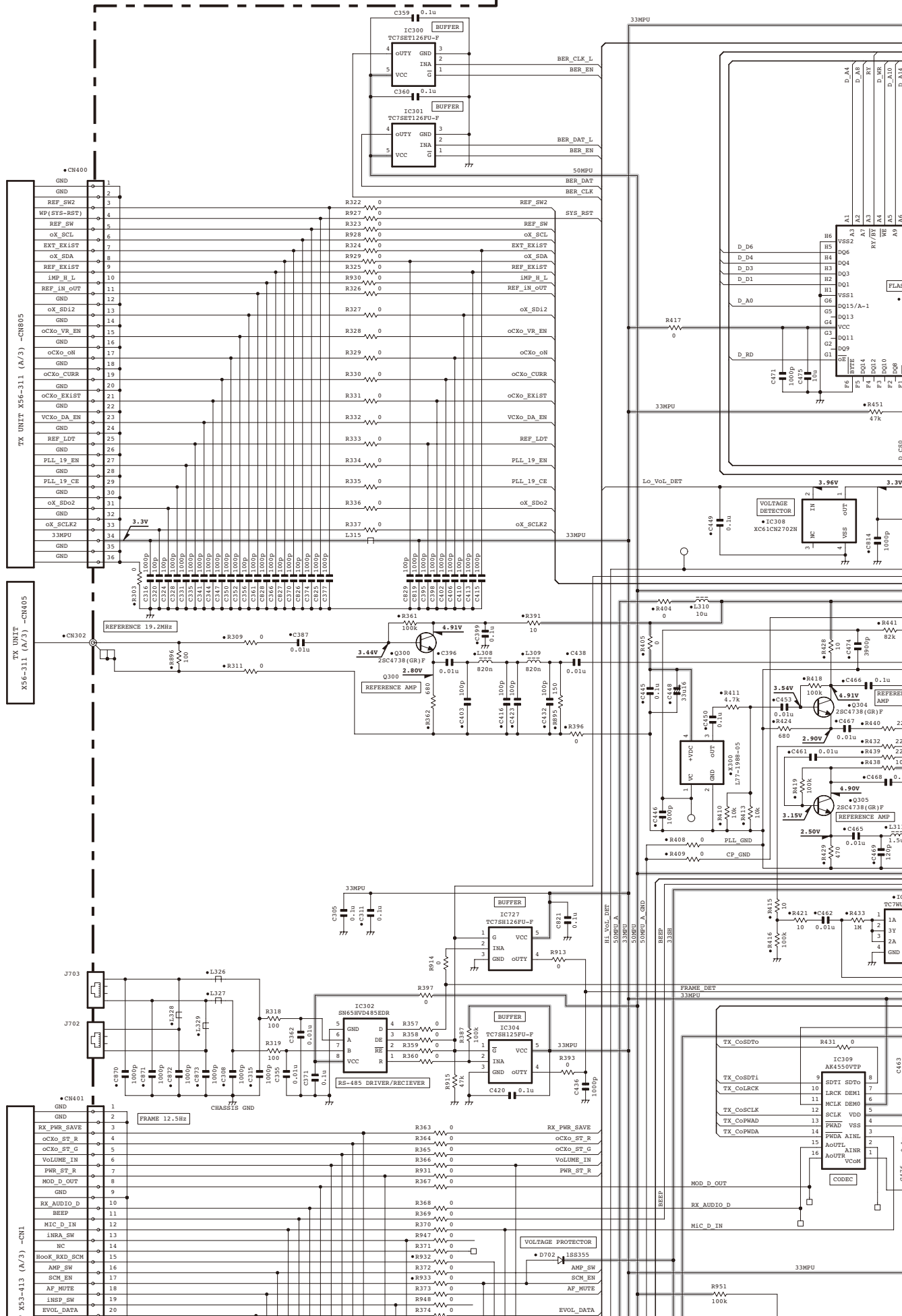
TEST/SPKR (PANEL VIEW)

CONTROL I/O (PANEL VIEW)



# NXR-700 SCHEMATIC DIAGRAM

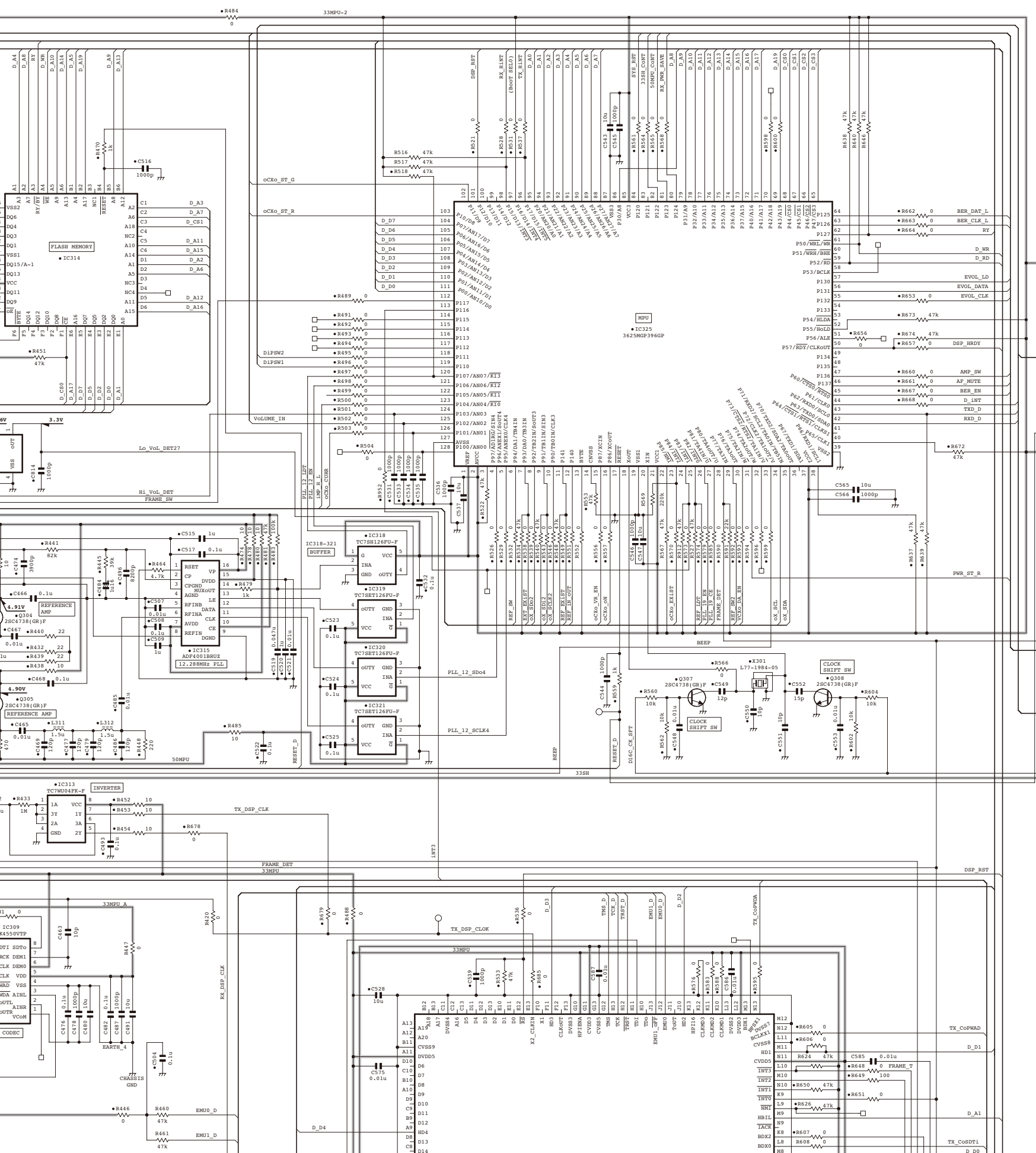
CONTROL UNIT2 (X53-4140-10)

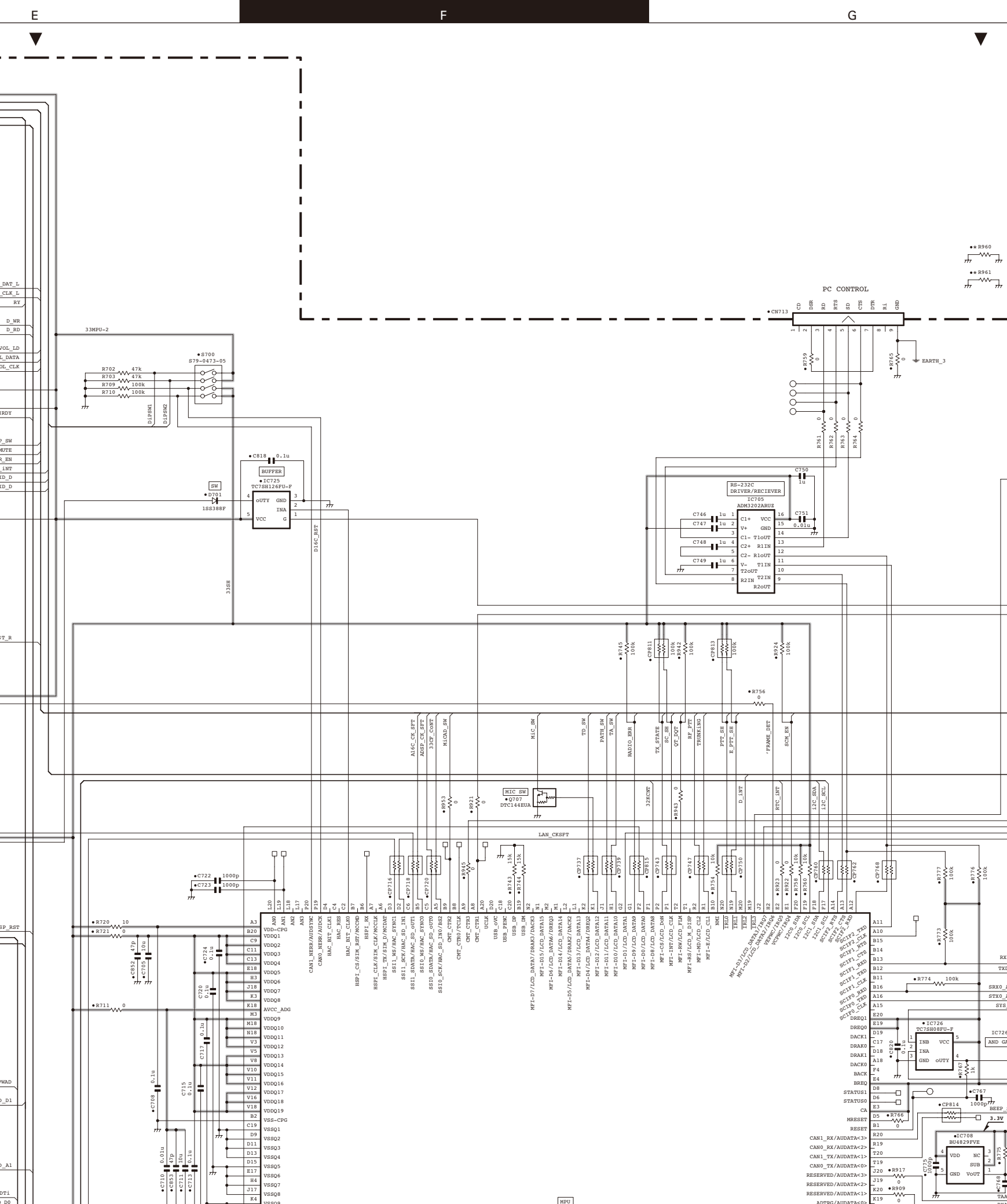


C

D

E



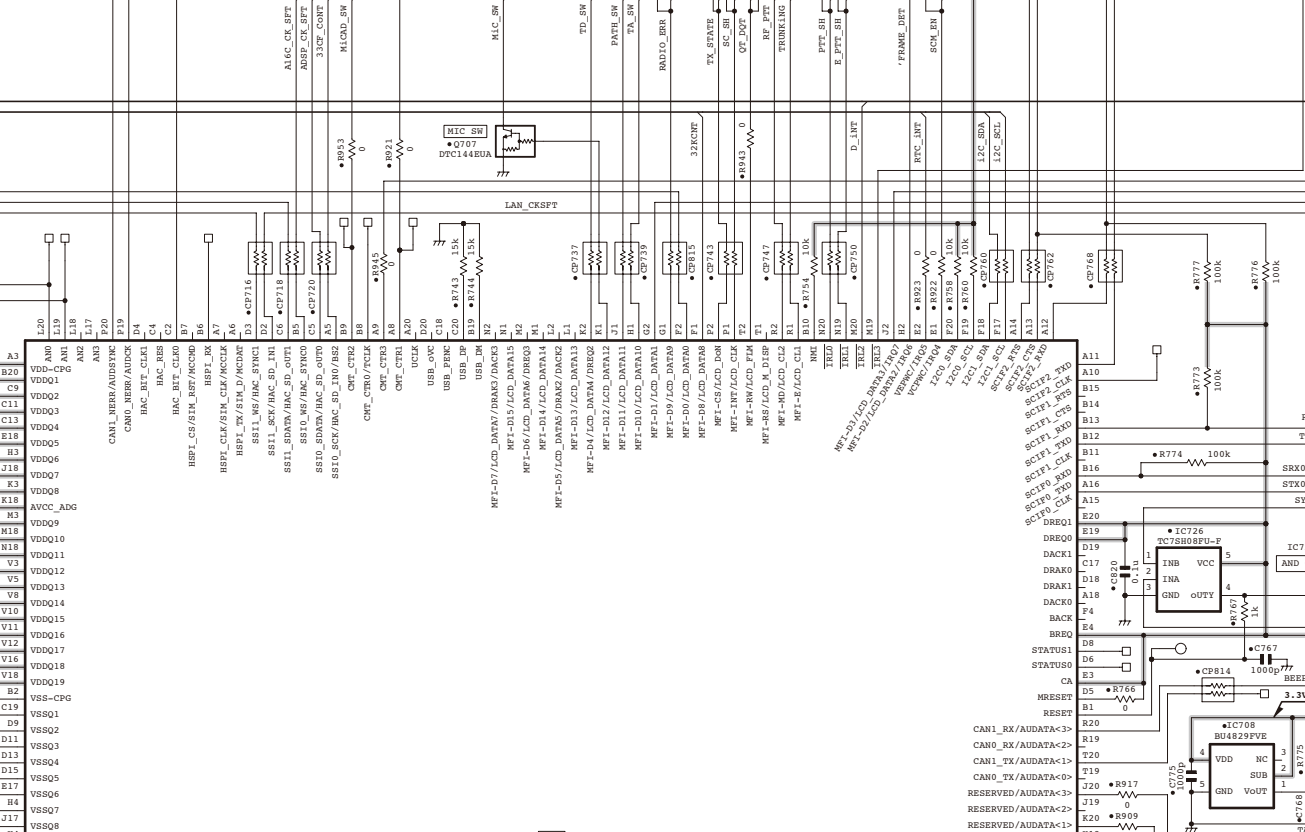
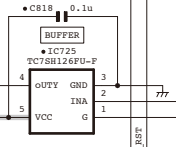
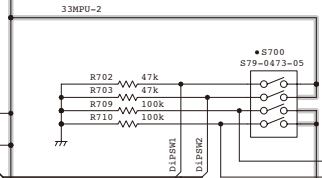
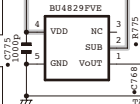
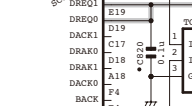
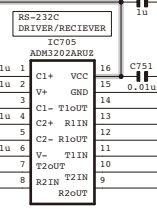
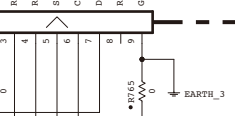


E F G

...DAT\_L  
...CLK\_L  
...RY  
...D\_WR  
...D\_RD  
...VOL\_LD  
...L\_DATA  
...OL\_CLK  
...RDY  
...P\_SW  
...R\_EN  
...INT  
...D\_ID  
...D\_ID  
...PT\_R  
...SP\_RST  
...PAD  
...D1  
...DO  
...DT1  
...DO

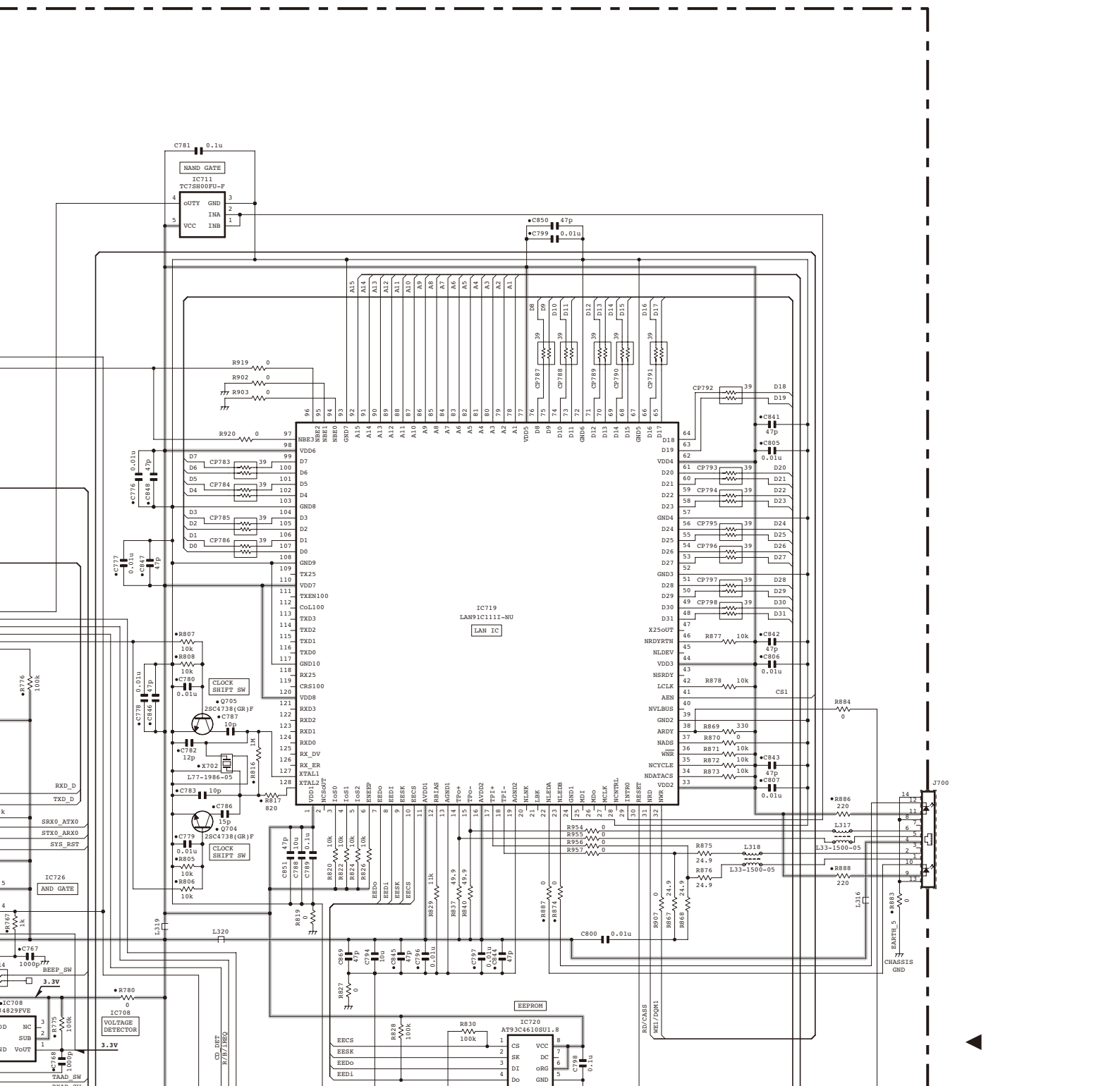
•• R960  
•• R961  
•• R962

PC CONTROL



** R960	IC329	R960	R961
0-10	-	0	-
** R961	0-11	for service	0
		BA33DD0WT	

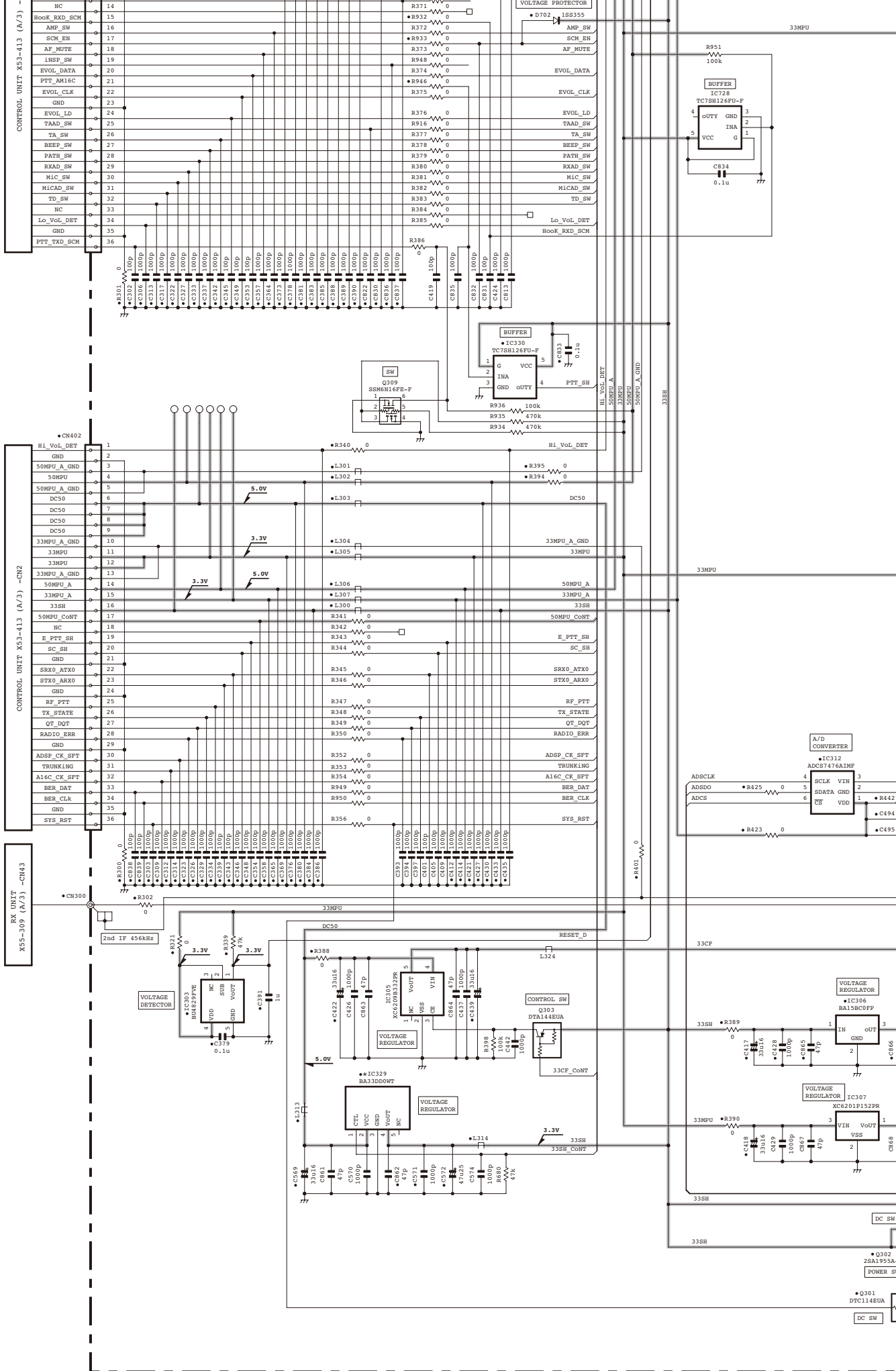
Note : The components marked with a dot (•) are parts of layer 1.



4

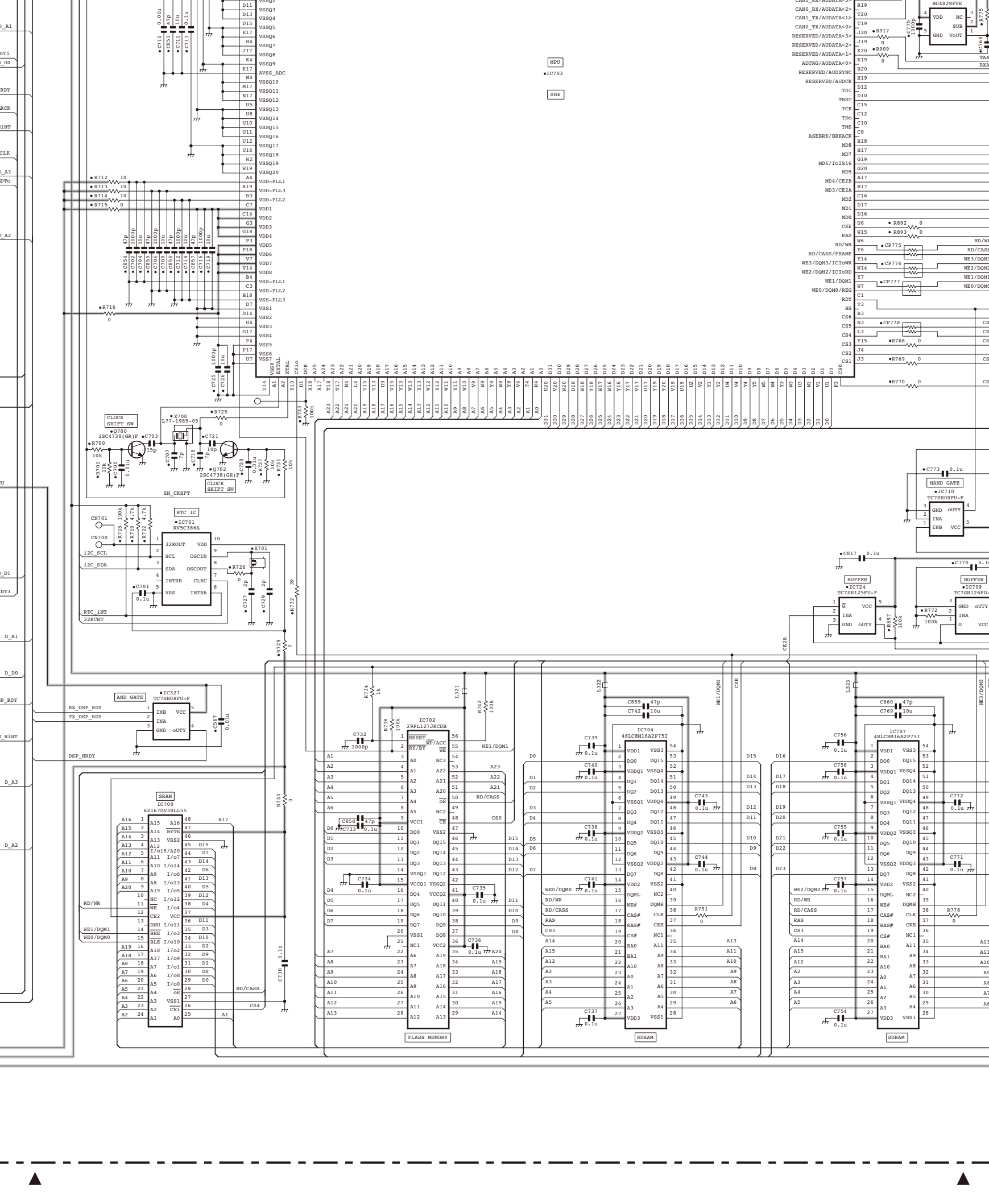
5

6



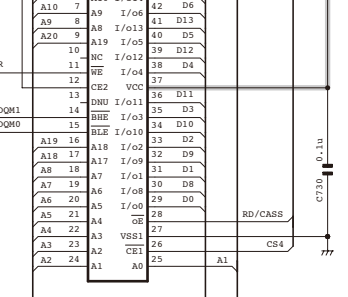
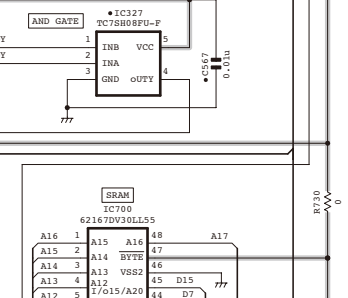
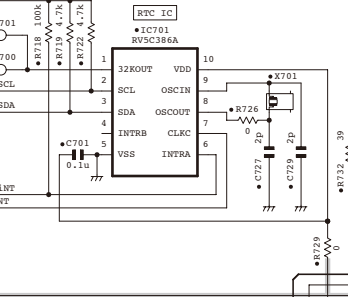
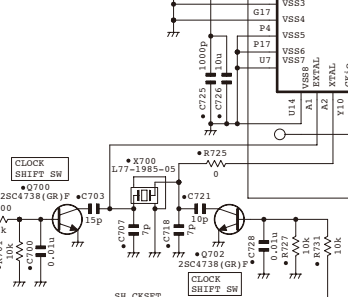
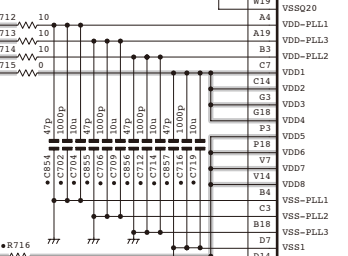
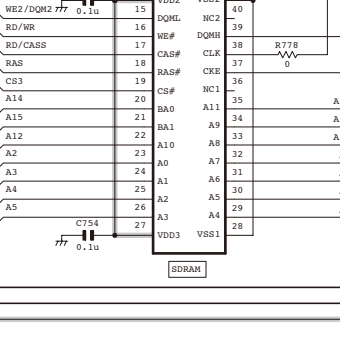
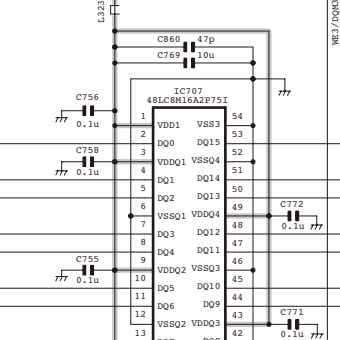
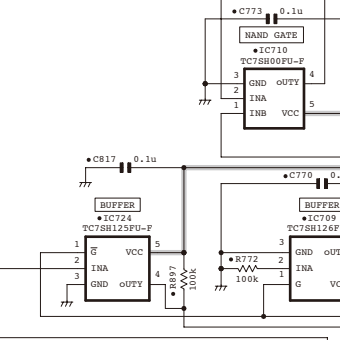
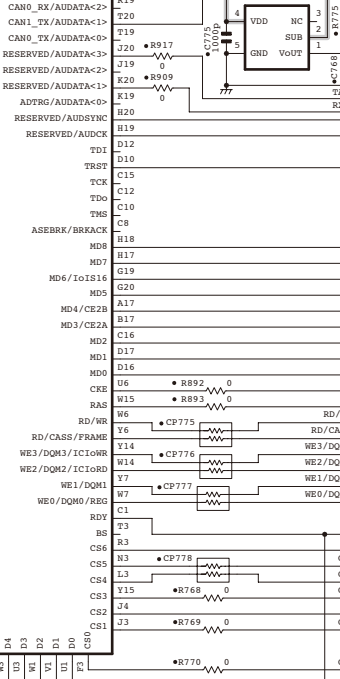


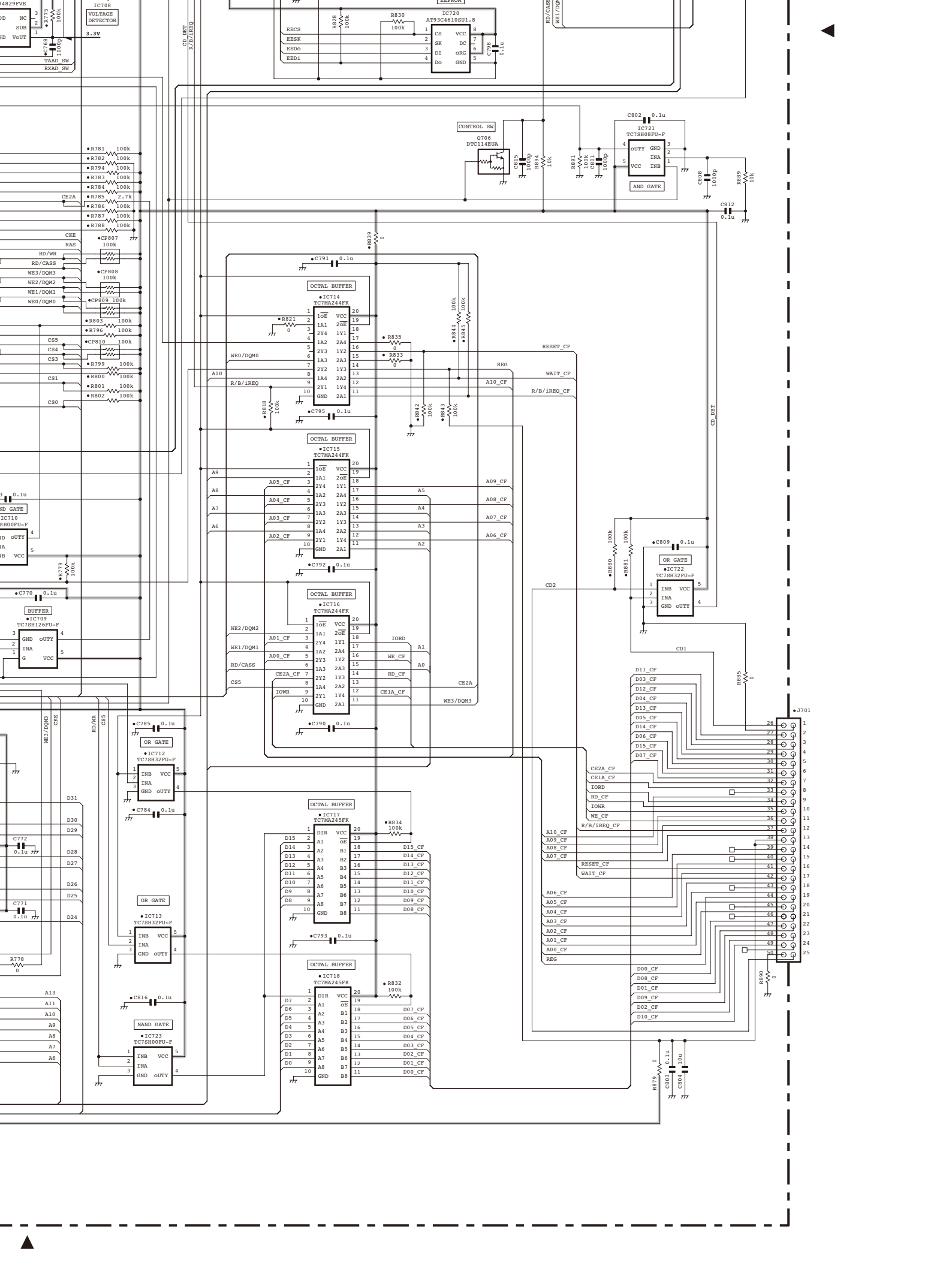




MPU  
IC703

SR4





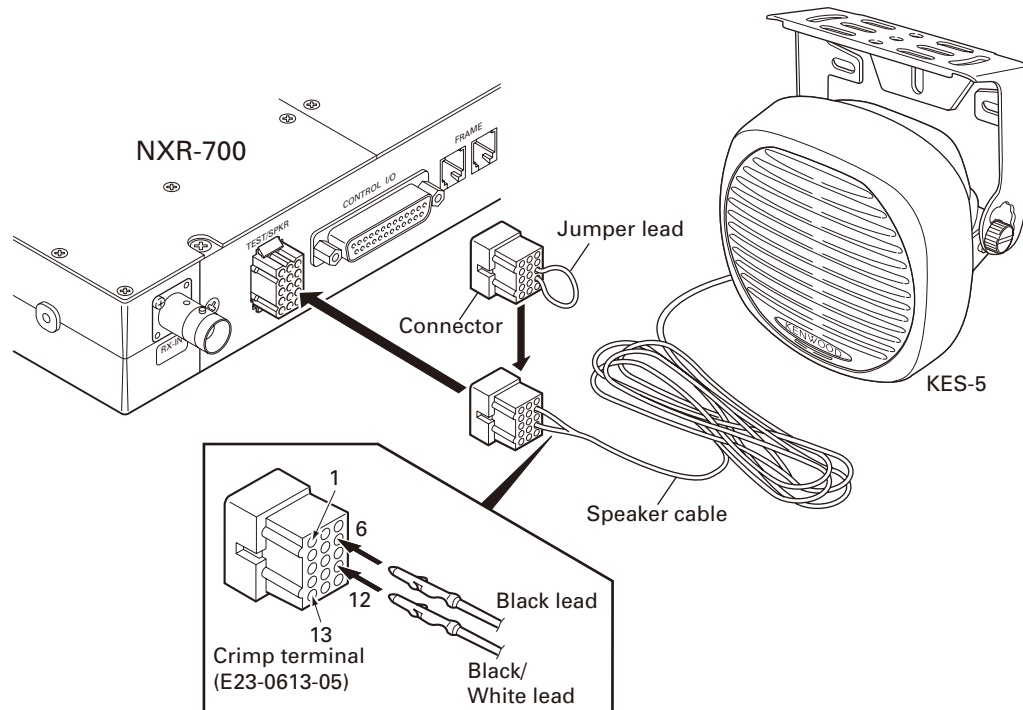
## OPTIONAL ACCESSORIES: KES-5 (EXTERNAL SPEAKER)

### When Using an External Speaker

1. Make sure the unit's power is tuned off.
2. When using the external speaker, remove the jumper lead from the connector, and attach the speaker cable.
3. When not using the external speaker, replace the jumper lead and insert the connector into the speaker jack (pin9 and 12).

### Specifications

Maximum input power .....	40W
Impedance .....	4Ω
Dimensions (W x H x D) projection not included .....	129 x 129 x 77 mm (5-1/16 x 5-1/16 x 3 inches)
Weight .....	820g / 1.81 lbs



# NXR-700

## SPECIFICATIONS

### General

Frequency Range.....146~174MHz (K), 136~154MHz (K2)  
Channel Spacing  
Wide.....30kHz  
Narrow.....15/ 12.5kHz  
VN.....7.5/ 6.25kHz  
PLL Channel Step.....2.5/ 3.125/ 5/ 6.25kHz  
Frequency Stability..... $\pm 1.5$ ppm  
with OCXO unit..... $\pm 0.5$ ppm  
Operating Voltage.....10.8~15.9V DC  
Operating Temperature Range  
..... $-22^{\circ}\text{F}\sim+140^{\circ}\text{F}$  ( $-30^{\circ}\text{C}\sim+60^{\circ}\text{C}$ )  
Antenna Impedance..... $50\Omega$   
Dimensions (W x H x D) (Projections not included)  
.....19.02" x 1.73" x 13.03" (483 x 44 x 331 mm)  
Weight.....11 lbs (5kg)

### Transmitter

RF Power Output.....5~0.5W  
Spurious & Harmonics.....73dB  
FM Hum & Noise  
Wide.....55dB  
Narrow.....50dB  
Modulation  
Wide.....16K0F3E  
Narrow.....11K0F3E, 8K30F1E, 8K30F1D, 8K30F7W  
VN.....4K00F1E, 4K00F1D, 4K00F7W, 4K00F2D

### Receiver

Sensitivity  
Digital@6.25kHz (3% BER).....0.33 $\mu\text{V}$   
Digital@12.5kHz (3% BER).....0.27 $\mu\text{V}$   
Analog (12dB SINAD).....0.30 $\mu\text{V}$   
Selectivity  
Analog Wide \*1 ( $\pm 30$ kHz).....93dB  
Analog Narrow \*1 ( $\pm 12.5$ kHz).....85dB  
Intermodulation Distortion  
Analog Wide ( $\pm 50$ kHz/100kHz).....85dB  
Analog Narrow ( $\pm 50$ kHz/100kHz).....85dB  
Spurious & Image.....100dB  
Audio Distortion (at 0.3W).....Less than 2%  
Audio Output (EXT. SP).....3W

\*1: Analog measurements made per TIA/EIA 603.  
Without \*1: Analog measurements made per TIA/EIA 603A.  
KENWOOD reserves the right to change specifications without prior notice or obligation.

## Kenwood Corporation

2967-3, Ishikawa-machi, Hachioji-shi, Tokyo, 192-8525 Japan

### Kenwood U.S.A. Corporation

P.O. BOX 22745, 2201 East Dominguez Street, Long Beach,  
CA 90801-5745, U.S.A.

### Kenwood Electronics Canada Inc.

6070 Kestrel Road, Mississauga, Ontario, Canada L5T 1S8

### Kenwood Electronics Deutschland GmbH

Rembrücker Str. 15, 63150 Heusenstamm, Germany

### Kenwood Electronics Belgium N.V.

Leuvensesteenweg 248 J, 1800 Vilvoorde, Belgium

### Kenwood Electronics France S.A.

L'Etoile Paris Nord 2, 50 Allée des Impressionnistes,  
Bp 58416 Villepinte, 95944 Roissy Ch De Gaulle Cedex

### Kenwood Electronics UK Limited

KENWOOD House, Dwight Road, Watford, Herts.,  
WD18 9EB United Kingdom

### Kenwood Electronics Europe B.V.

Amsterdamseweg 37, 1422 AC Uithoorn, The Netherlands

### Kenwood Electronics Italia S.p.A.

Via G. Sirtori, 7/9 20129 Milano, Italy

### Kenwood Ibérica, S.A.

Bolivia, 239-08020 Barcelona, Spain

### Kenwood Electronics Australia Pty. Ltd.

(A.C.N. 001 499 074)

16 Giffnock Avenue, Centrecourt Estate, North Ryde, N.S.W. 2113 Australia

### Kenwood Electronics (Hong Kong) Ltd.

Unit 3712-3724, Level 37, Tower one Metroplaza, 223 Hing Fong Road,  
Kwai Fong, N.T., Hong Kong

### Kenwood Electronics Singapore Pte Ltd

1 Ang Mo Kio Street 63, Singapore 569110

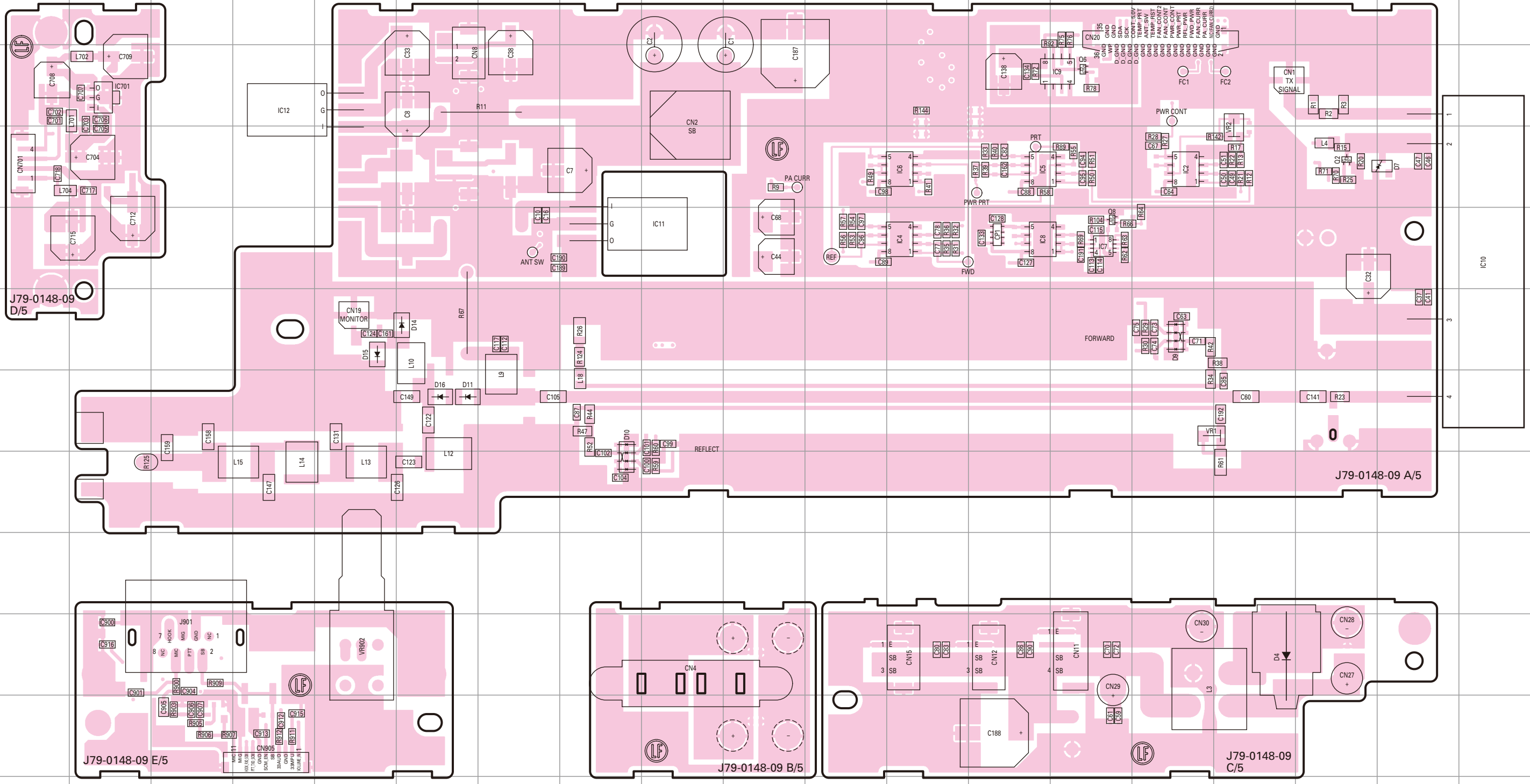


# NXR-700 PC BOARD

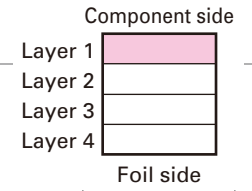
# PC BOARD NXR-700

**FINAL UNIT (X45-3810-10) : K**  
**Component side view (J79-0148-09)**

**FINAL UNIT (X45-3810-10) : K**  
**Component side view (J79-0148-09)**

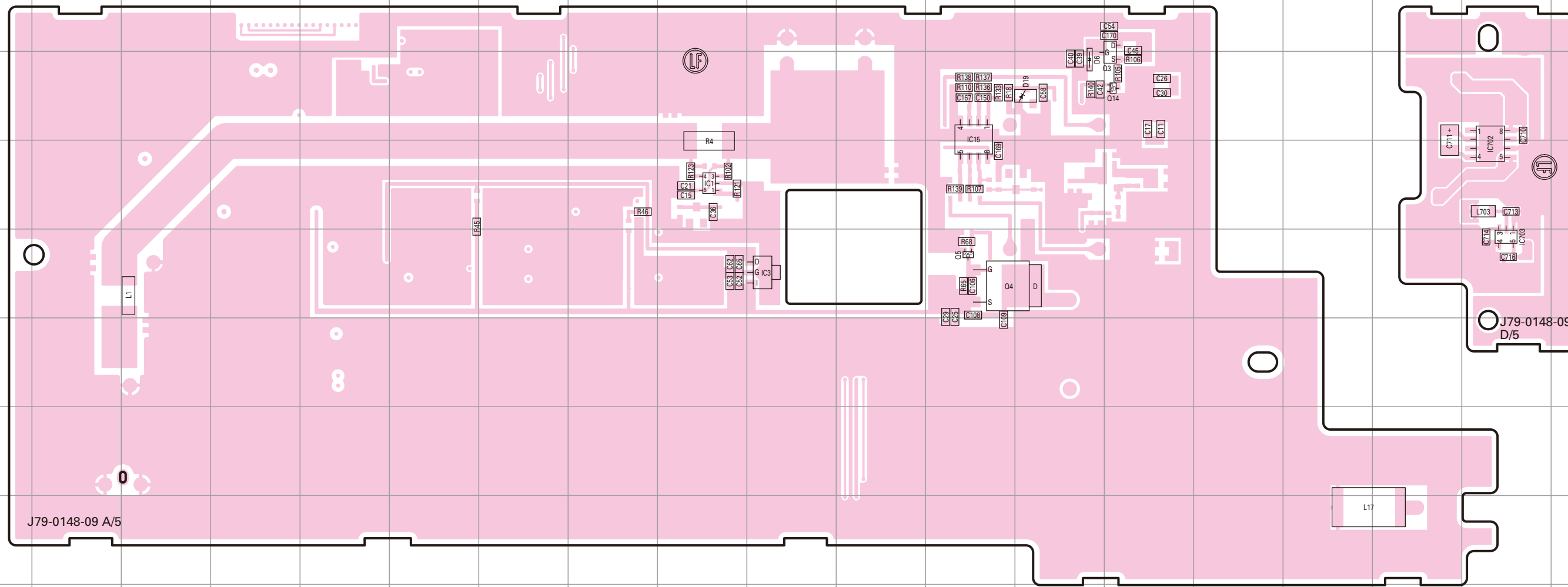


Ref. No.	Address	Ref. No.	Address	Ref. No.	Address	Ref. No.	Address	Ref. No.	Address
IC2	4O	IC8	5M	IC701	3B	D7	4R	D15	6E
IC4	5L	IC9	3N	Q2	4Q	D9	6O	D16	7F
IC5	4M	IC10	5S	Q6	3N	D10	8H		
IC6	4L	IC11	5I	Q8	5N	D11	7F		
IC7	5N	IC12	3D	D4	10P	D14	6F		



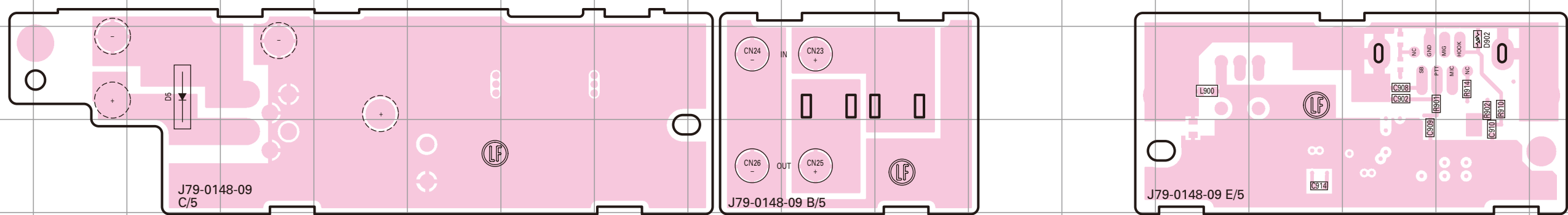
# NXR-700 PC BOARD

FINAL UNIT (X45-3810-10) : K  
Foil side view (J79-0148-09)

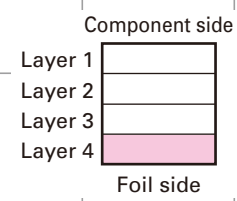


# PC BOARD NXR-700

FINAL UNIT (X45-3810-10) : K  
Foil side view (J79-0148-09)



Ref. No.	Address	Ref. No.	Address	Ref. No.	Address
IC1	4I	Q3	3N	D6	3M
IC3	5J	Q4	5L	D19	3M
IC15	3L	Q5	5L	D902	10Q
IC702	4R	Q14	3N		
IC703	5R	D5	10C		

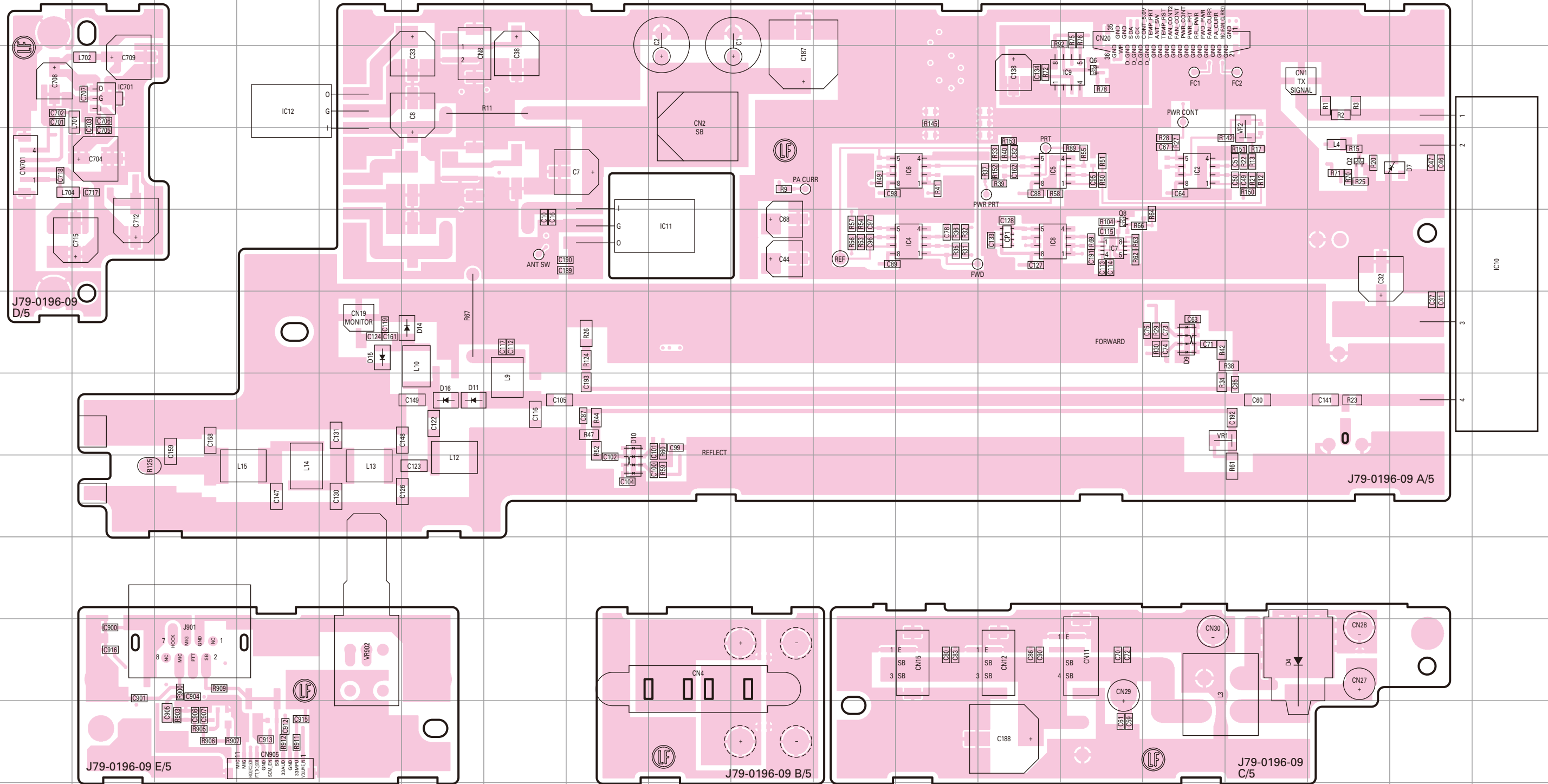


# NXR-700 PC BOARD

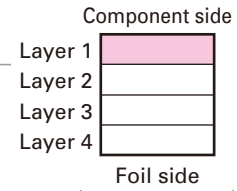
# PC BOARD NXR-700

**FINAL UNIT (X45-3810-11) : K2**  
**Component side view (J79-0196-09)**

**FINAL UNIT (X45-3810-11) : K2**  
**Component side view (J79-0196-09)**



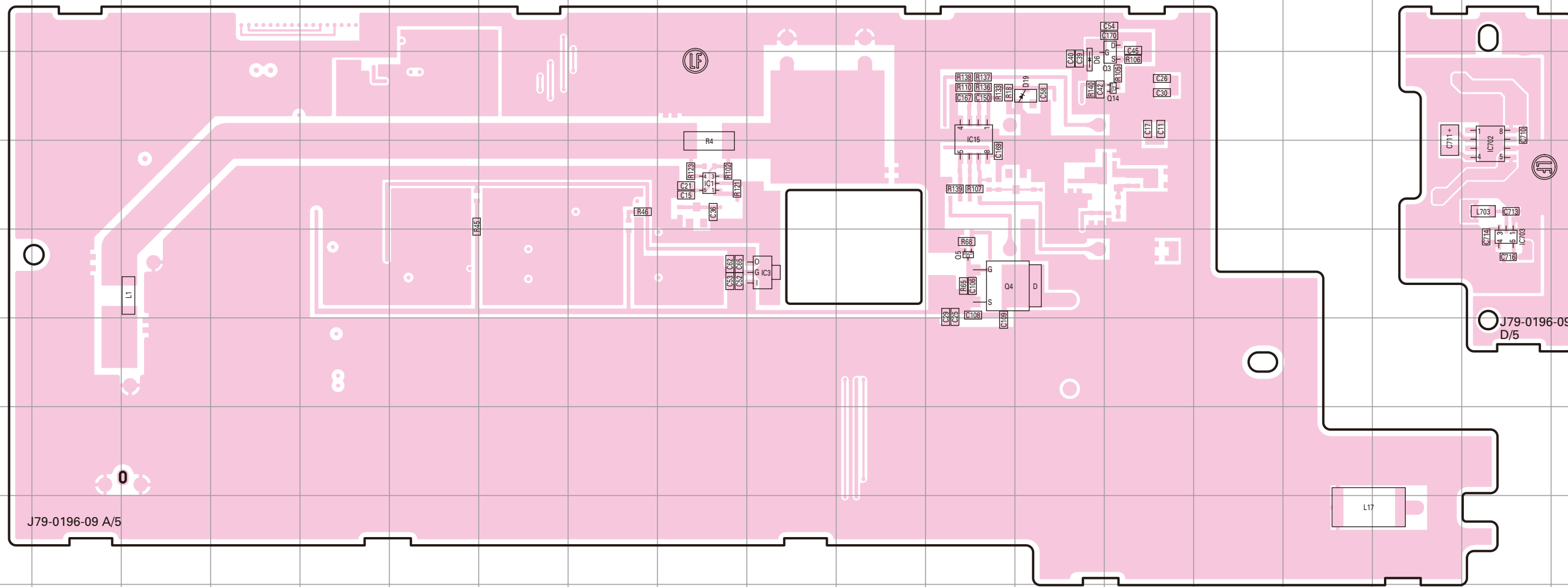
Ref. No.	Address	Ref. No.	Address	Ref. No.	Address	Ref. No.	Address	Ref. No.	Address
IC2	4O	IC8	5M	IC701	3B	D7	4R	D15	6E
IC4	5L	IC9	3N	Q2	4Q	D9	6O	D16	7F
IC5	4M	IC10	5S	Q6	3N	D10	8H		
IC6	4L	IC11	5I	Q8	5N	D11	7F		
IC7	5N	IC12	3D	D4	10P	D14	6F		





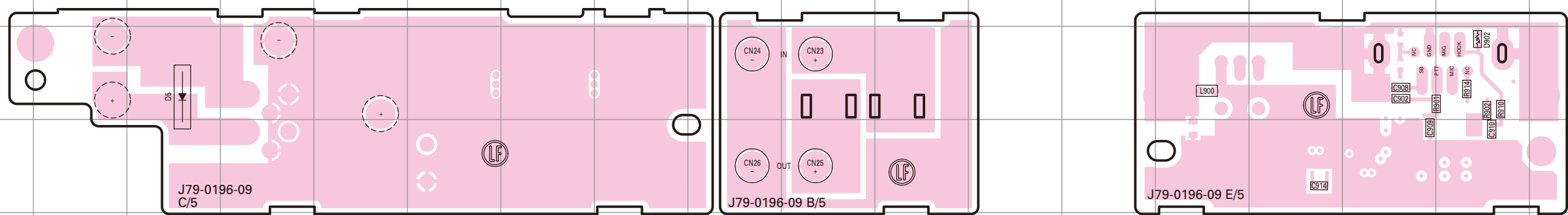
# NXR-700 PC BOARD

FINAL UNIT (X45-3810-11) : K2  
Foil side view (J79-0196-09)

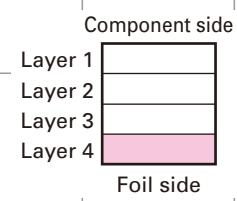


# PC BOARD NXR-700

FINAL UNIT (X45-3810-11) : K2  
Foil side view (J79-0196-09)



Ref. No.	Address	Ref. No.	Address	Ref. No.	Address
IC1	4I	Q3	3N	D6	3M
IC3	5J	Q4	5L	D19	3M
IC15	3L	Q5	5L	D902	10Q
IC702	4R	Q14	3N		
IC703	5R	D5	10C		

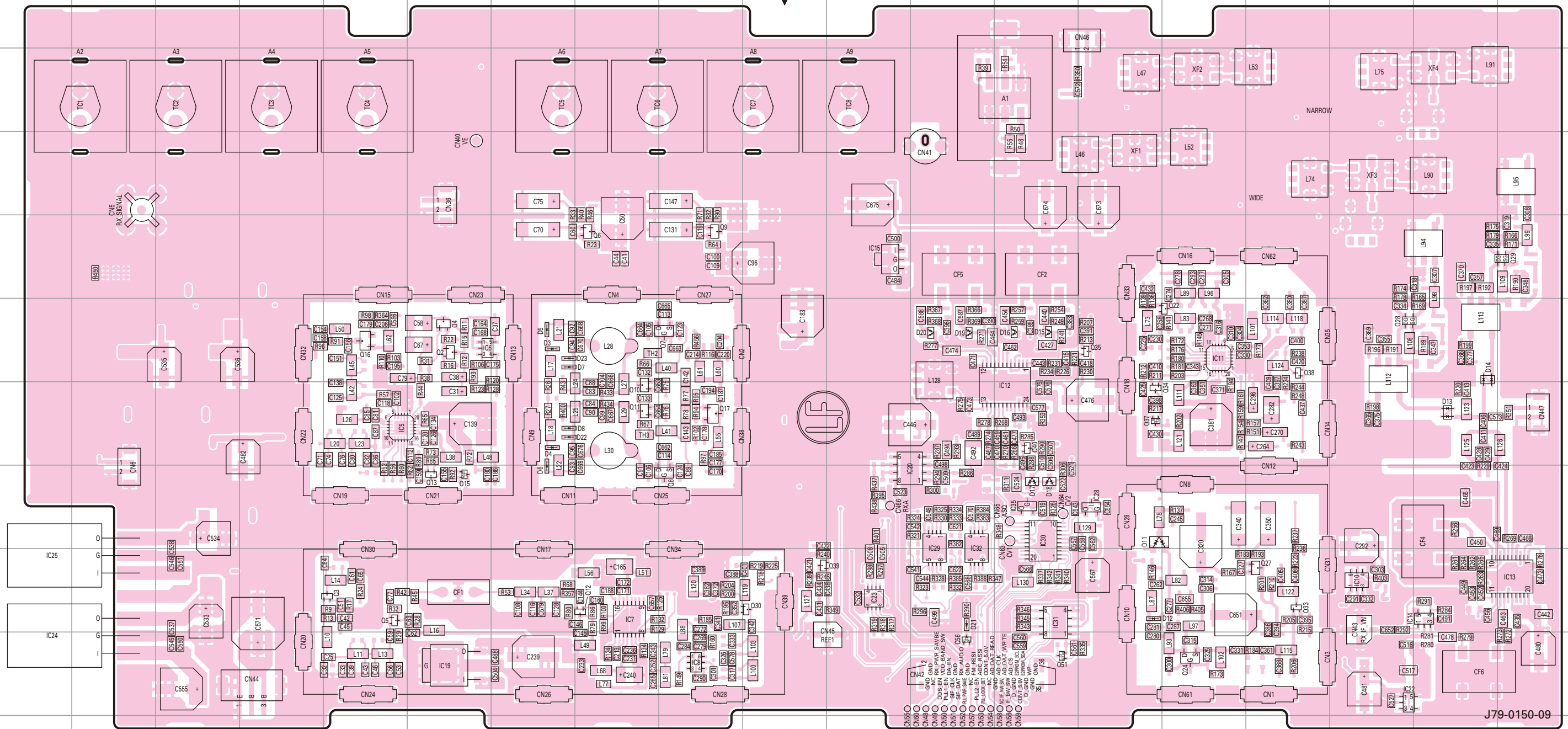


# NXR-700 PC BOARD

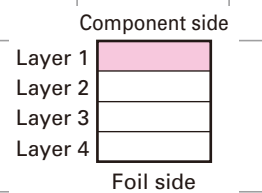
# PC BOARD NXR-700

RX UNIT (X55-3090-XX) -10 : K -11 : K2  
Component side view (J79-0150-09)

RX UNIT (X55-3090-XX) -10 : K -11 : K2  
Component side view (J79-0150-09)



Ref. No.	Address	Ref. No.	Address	Ref. No.	Address	Ref. No.	Address	Ref. No.	Address	Ref. No.	Address	Ref. No.	Address	Ref. No.	Address
IC5	7E	IC15	5K	IC30	8M	Q7	6I	Q17	7I	Q35	6N	D5	6G	D16	6M
IC6	6F	IC19	10F	IC31	9M	Q8	8I	Q22	6O	Q37	7N	D6	8G	D17	8M
IC7	9H	IC20	8K	IC32	8L	Q9	5I	Q24	10O	Q38	6P	D7	6G	D18	8M
IC8	10I	IC22	10Q	IC35	8M	Q10	7H	Q27	9P	Q39	9J	D8	7G	D19	6L
IC10	9Q	IC23	9K	Q2	6F	Q11	7H	Q28	6Q	Q40	7M	D11	8N	D20	6L
IC11	6O	IC24	10A	Q3	9E	Q12	9H	Q29	5S	Q51	10M	D12	9N	D21	9L
IC12	7M	IC25	9A	Q4	6F	Q13	8F	Q30	9J	Q56	10L	D13	7R	D22	7G
IC13	9S	IC28	8N	Q5	9E	Q15	8F	Q33	9P	D3	6G	D14	6R	D23	6G
IC14	9R	IC29	8L	Q6	5H	Q16	6E	Q34	7N	D4	7G	D15	6M		

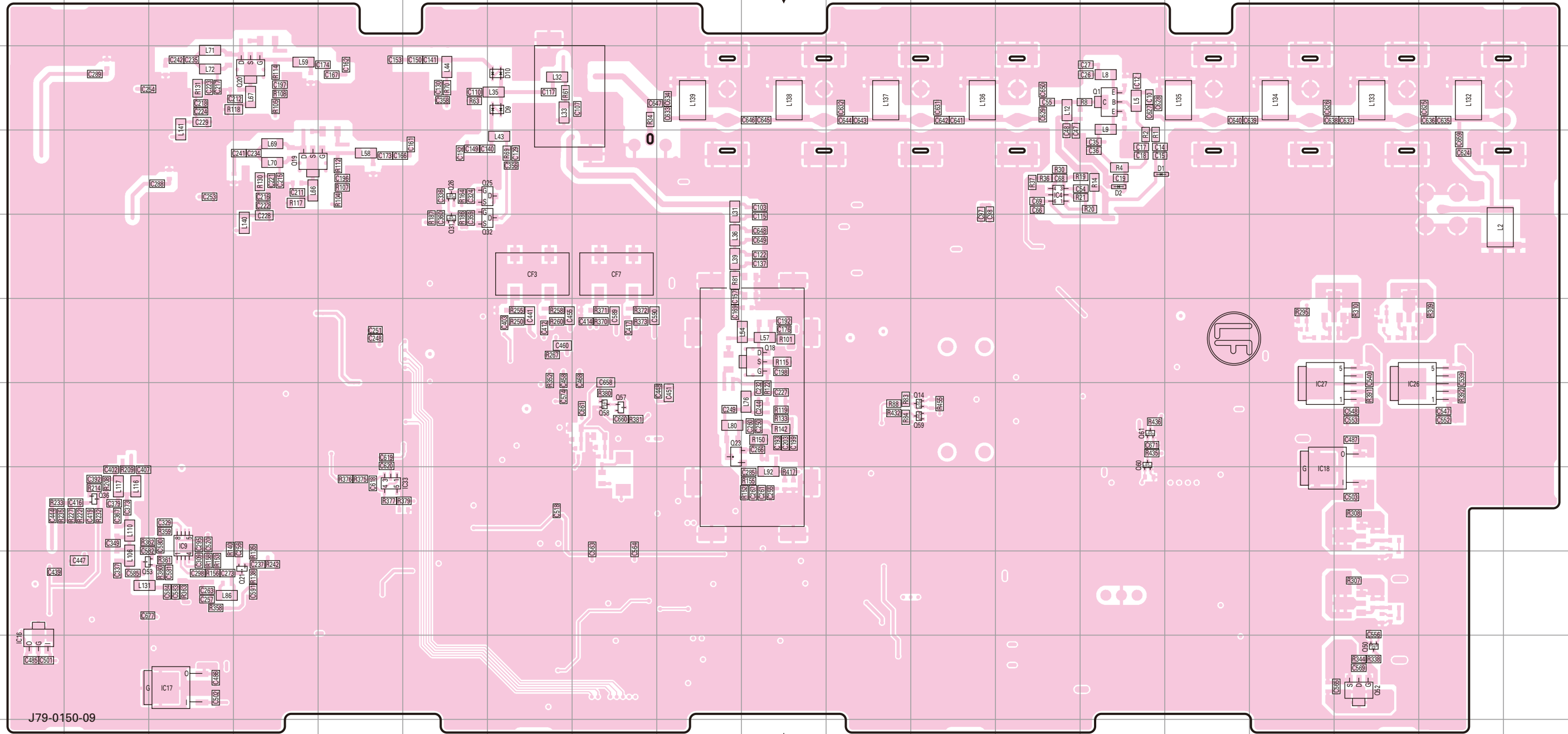


# NXR-700 PC BOARD

# PC BOARD NXR-700

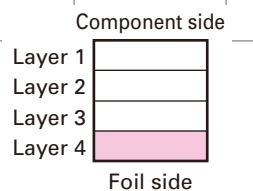
RX UNIT (X55-3090-XX) -10 : K -11 : K2  
Foil side view (J79-0150-09)

RX UNIT (X55-3090-XX) -10 : K -11 : K2  
Foil side view (J79-0150-09)



J79-0150-09

Ref. No.	Address	Ref. No.	Address	Ref. No.	Address	Ref. No.	Address
IC4	4M	Q14	7L	Q32	5G	Q61	7N
IC9	8C	Q18	6J	Q36	8B	D1	4N
IC16	10A	Q19	4D	Q50	10Q	D2	4N
IC17	10C	Q20	3D	Q52	10Q	D9	3G
IC18	8P	Q21	9D	Q53	9B	D10	3G
IC26	7Q	Q23	7I	Q57	7H		
IC27	7P	Q25	4G	Q58	7H		
IC33	8E	Q26	4F	Q59	7L		
Q1	3N	Q31	5F	Q60	7N		

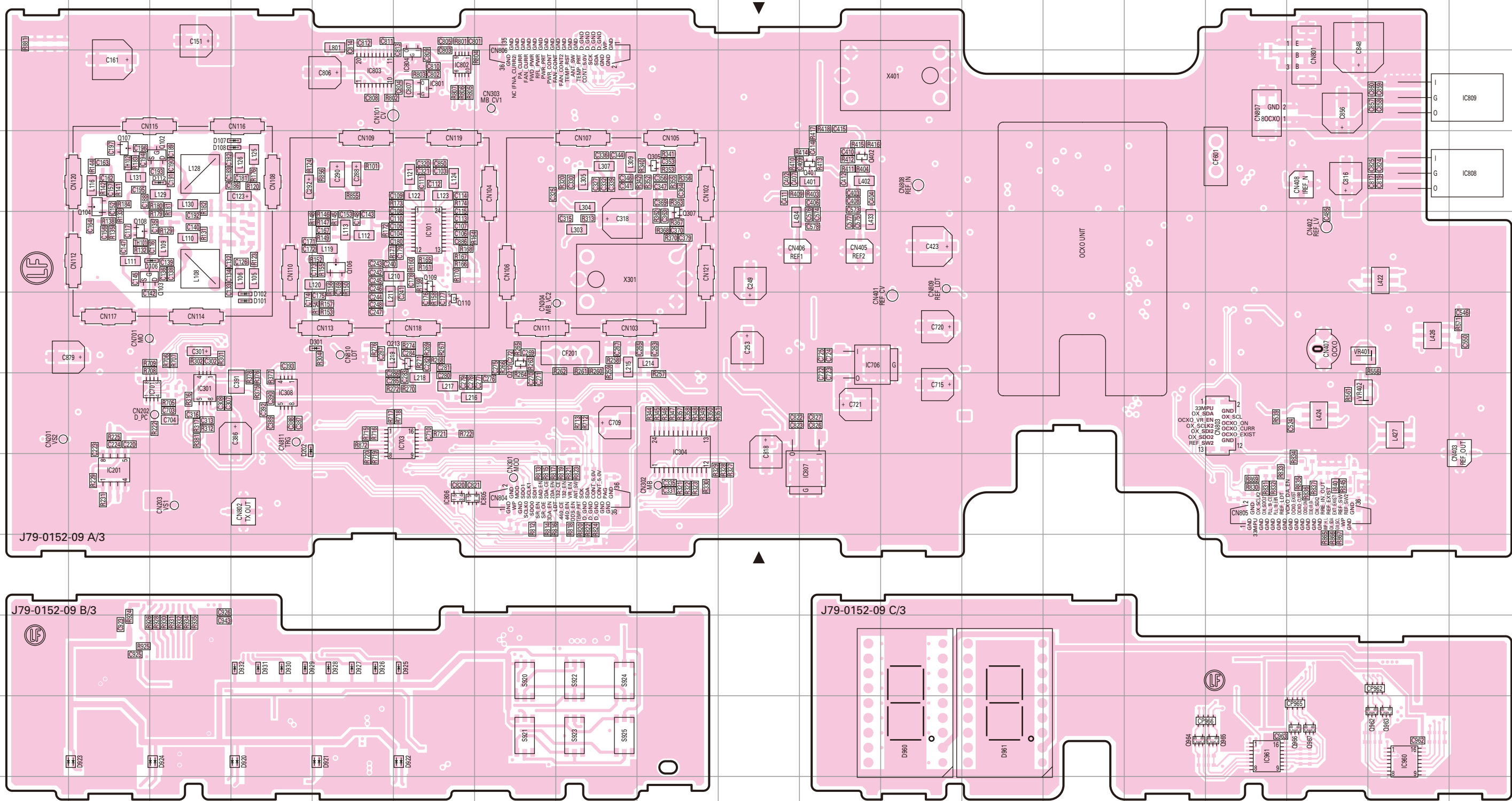


# NXR-700 PC BOARD

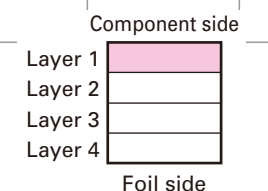
TX UNIT (X56-3110-XX) -10 : K -11 : K2  
Component side view (J79-0152-09)

# PC BOARD NXR-700

TX UNIT (X56-3110-XX) -10 : K -11 : K2  
Component side view (J79-0152-09)



Ref. No.	Address	Ref. No.	Address	Ref. No.	Address	Ref. No.	Address	Ref. No.	Address	Ref. No.	Address	Ref. No.	Address	Ref. No.	Address
IC101	5F	IC706	6K	IC807	8K	Q104	4B	Q213	6F	Q964	11O	D107	4D	D922	11F
IC201	8B	IC801	3F	IC808	4S	Q106	5E	Q305	4I	Q965	11P	D108	4D	D923	11B
IC301	7C	IC802	3F	IC809	3S	Q107	4B	Q307	5I	Q966	11Q	D112	4C	D924	11C
IC304	7I	IC803	3E	IC960	11R	Q108	5B	Q401	4K	Q967	11Q	D202	7D	D925	10F
IC308	7D	IC804	3F	IC961	11P	Q109	5F	Q402	4K	D101	6D	D301	6E	D926	10E
IC701	7C	IC805	8F	Q102	4C	Q110	6F	Q962	11R	D102	6D	D920	11D	D927	10E
IC703	7F	IC806	8F	Q103	5C	Q212	6G	Q963	11R	D106	5C	D921	11E	D928	10E

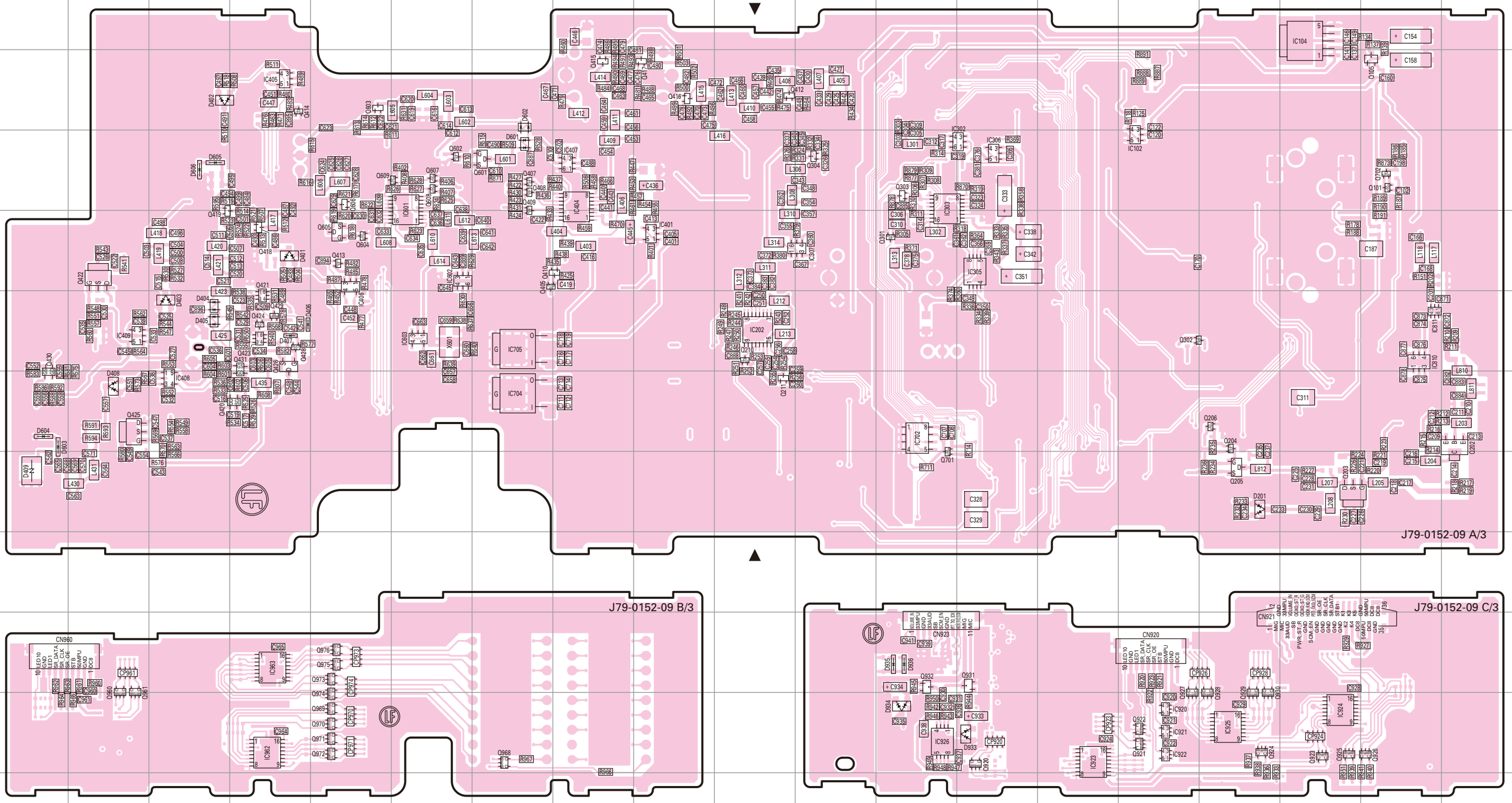


# NXR-700 PC BOARD

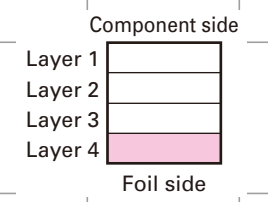
# PC BOARD NXR-700

**TX UNIT (X56-3110-XX) -10 : K -11 : K2**  
**Foil side view (J79-0152-09)**

**TX UNIT (X56-3110-XX) -10 : K -11 : K2**  
**Foil side view (J79-0152-09)**



Ref. No.	Address	Ref. No.	Address	Ref. No.	Address	Ref. No.	Address	Ref. No.	Address	Ref. No.	Address	Ref. No.	Address	Ref. No.	Address	Ref. No.	Address	Ref. No.	Address	Ref. No.	Address	Ref. No.	Address				
IC102	4O	IC404	4H	IC702	7L	IC924	11Q	Q204	7P	Q405	5G	Q416	3I	Q425	7B	Q604	5E	Q921	11O	Q930	11P	Q972	11E	D404	6C	D604	7A
IC104	2Q	IC405	3D	IC704	7G	IC925	11P	Q205	8P	Q407	4G	Q417	3I	Q426	6D	Q605	5E	Q922	11O	Q931	10M	Q973	10E	D405	6C	D605	4C
IC202	6J	IC406	5E	IC705	6G	IC926	11L	Q206	7P	Q408	4G	Q418	5D	Q428	6D	Q606	4E	Q923	11Q	Q932	10L	Q974	11E	D406	6D	D606	4C
IC302	4M	IC407	4H	IC810	6R	IC962	11D	Q210	6J	Q409	4G	Q419	5C	Q429	6D	Q607	4F	Q924	11P	Q960	10B	Q975	10E	D407	6D	D933	11M
IC303	4L	IC408	7C	IC811	6R	IC963	10D	Q211	7J	Q410	5H	Q420	7D	Q430	6A	Q608	4F	Q925	11Q	Q961	10B	Q976	10E	D408	7B	D934	11L
IC305	5M	IC409	6B	IC920	11O	Q101	4R	Q301	5L	Q412	3J	Q421	6D	Q431	6D	Q609	4F	Q926	11R	Q968	11G	D201	8P	D409	8A	D935	10L
IC306	4M	IC601	4F	IC921	11O	Q105	3R	Q302	6O	Q413	5E	Q422	5B	Q601	4G	Q701	8L	Q927	11O	Q969	11E	D401	5D	D601	4G	D936	10L
IC307	5K	IC602	5F	IC922	11O	Q202	7S	Q303	4L	Q414	3D	Q423	6D	Q602	4F	Q702	4R	Q928	11P	Q970	11E	D402	3C	D602	3G		
IC401	5H	IC603	6F	IC923	11N	Q203	8Q	Q304	4K	Q415	3H	Q424	6D	Q603	3E	Q920	11M	Q929	11P	Q971	11E	D403	6C	D603	7A		

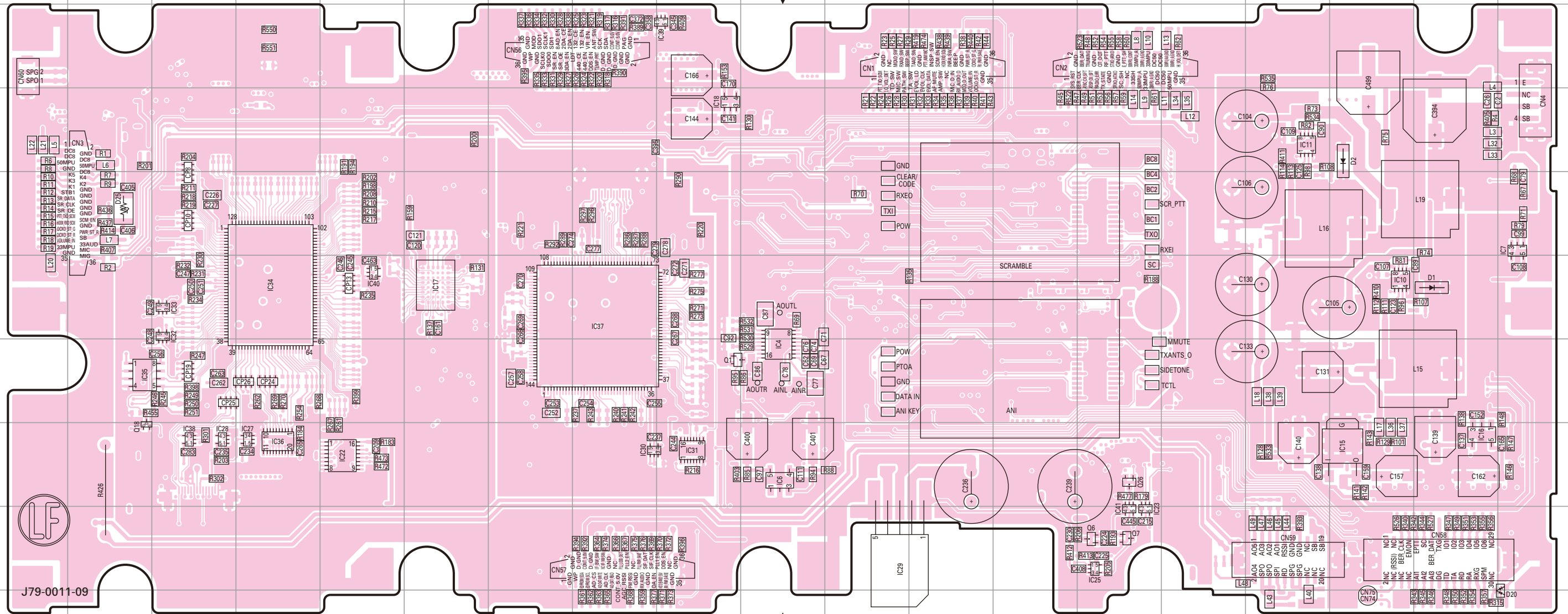


# NXR-700 PC BOARD

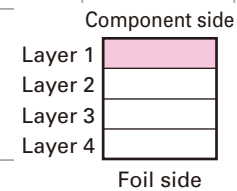
# PC BOARD NXR-700

CONTROL UNIT (X53-4130-XX) -10 : K,K2 -11 : For service  
Component side view (J79-0011-09)

CONTROL UNIT (X53-4130-XX) -10 : K,K2 -11 : For service  
Component side view (J79-0011-09)



Ref. No.	Address	Ref. No.	Address	Ref. No.	Address	Ref. No.	Address
IC4	7J	IC22	8E	IC33	6C	Q1	7I
IC6	8J	IC23	9N	IC34	6D	Q6	9N
IC7	5S	IC25	9N	IC35	7B	Q7	9N
IC10	6Q	IC27	8D	IC36	8D	Q18	8B
IC11	4P	IC28	8C	IC37	6H	Q26	8N
IC15	8Q	IC29	9K	IC38	8C	D1	6R
IC16	8R	IC30	8H	IC39	3I	D2	4Q
IC17	6F	IC31	8I	IC40	6E	D20	10S
IC18	4I	IC32	6C	IC41	9N	D25	5B

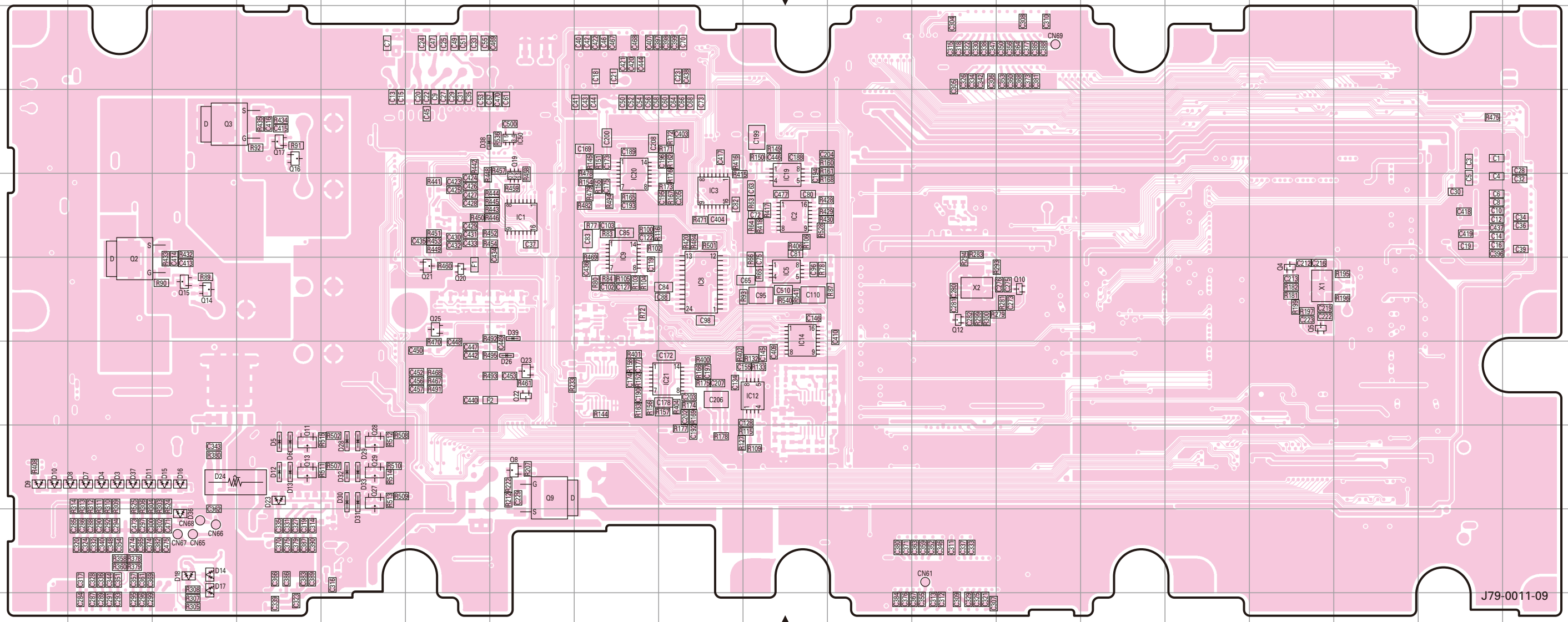


# NXR-700 PC BOARD

# PC BOARD NXR-700

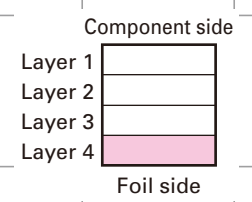
CONTROL UNIT (X53-4130-XX) -10 : K,K2 -11 : For service  
Foil side view (J79-0011-09)

CONTROL UNIT (X53-4130-XX) -10 : K,K2 -11 : For service  
Foil side view (J79-0011-09)



J79-0011-09

Ref. No.	Address	Ref. No.	Address	Ref. No.	Address	Ref. No.	Address	Ref. No.	Address
IC1	5G	Q3	4C	Q19	5G	D7	8B	D24	8C
IC2	5J	Q4	6P	Q20	6F	D8	8B	D26	7G
IC3	5I	Q5	6P	Q21	6F	D9	8A	D28	8E
IC5	6J	Q8	8G	Q22	7G	D10	8A	D29	8E
IC8	6I	Q9	8G	Q23	7G	D11	8B	D30	8E
IC9	5H	Q10	6M	Q25	6F	D12	8D	D31	8E
IC12	7J	Q11	8D	Q27	8E	D13	8D	D32	8E
IC14	6J	Q12	6L	Q28	8E	D14	9C	D33	8E
IC19	5J	Q13	8D	Q29	8E	D15	8C	D36	9C
IC20	5H	Q14	6C	D3	8B	D16	8C	D37	8B
IC21	7I	Q15	6C	D4	8B	D17	9C	D38	4F
IC50	4G	Q16	4D	D5	8D	D18	9C	D39	6G
Q2	6B	Q17	4D	D6	8D	D23	8D		



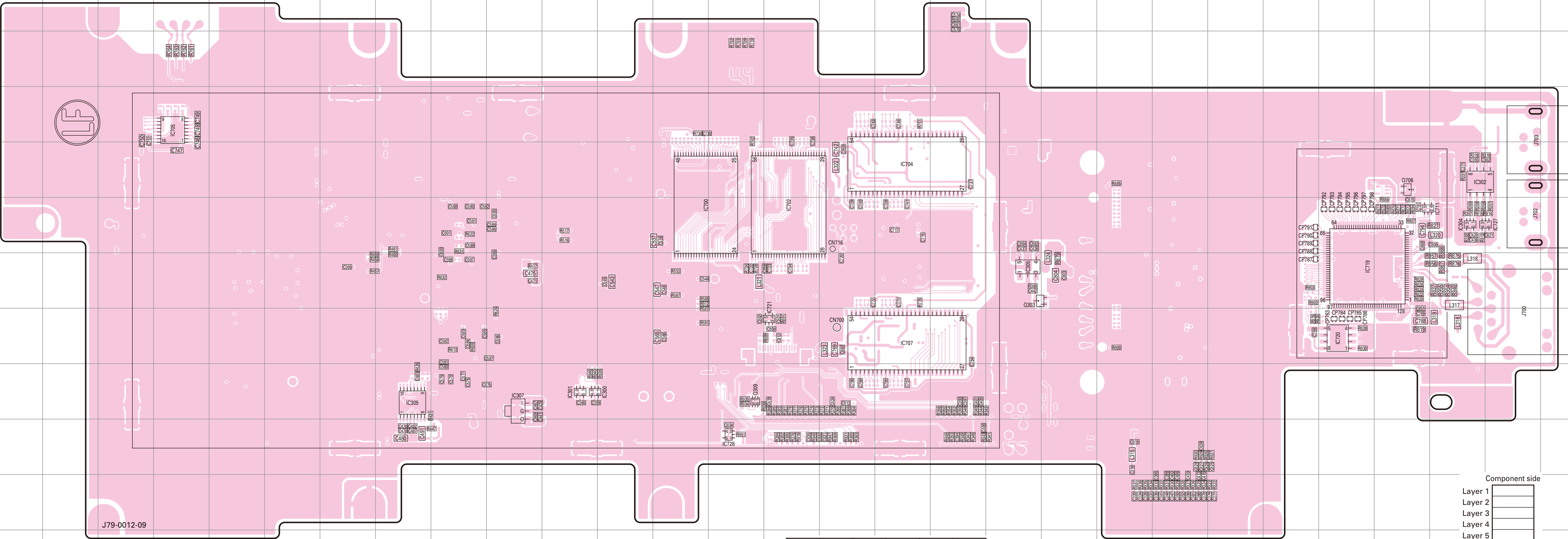




# NXR-700 PC BOARD

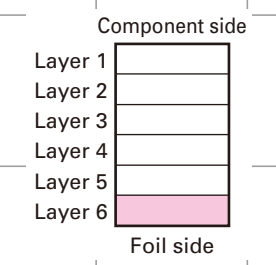
CONTROL UNIT (X53-4140-XX) -10 : K,K2 -11 : For service  
Foil side view (J79-0012-09)

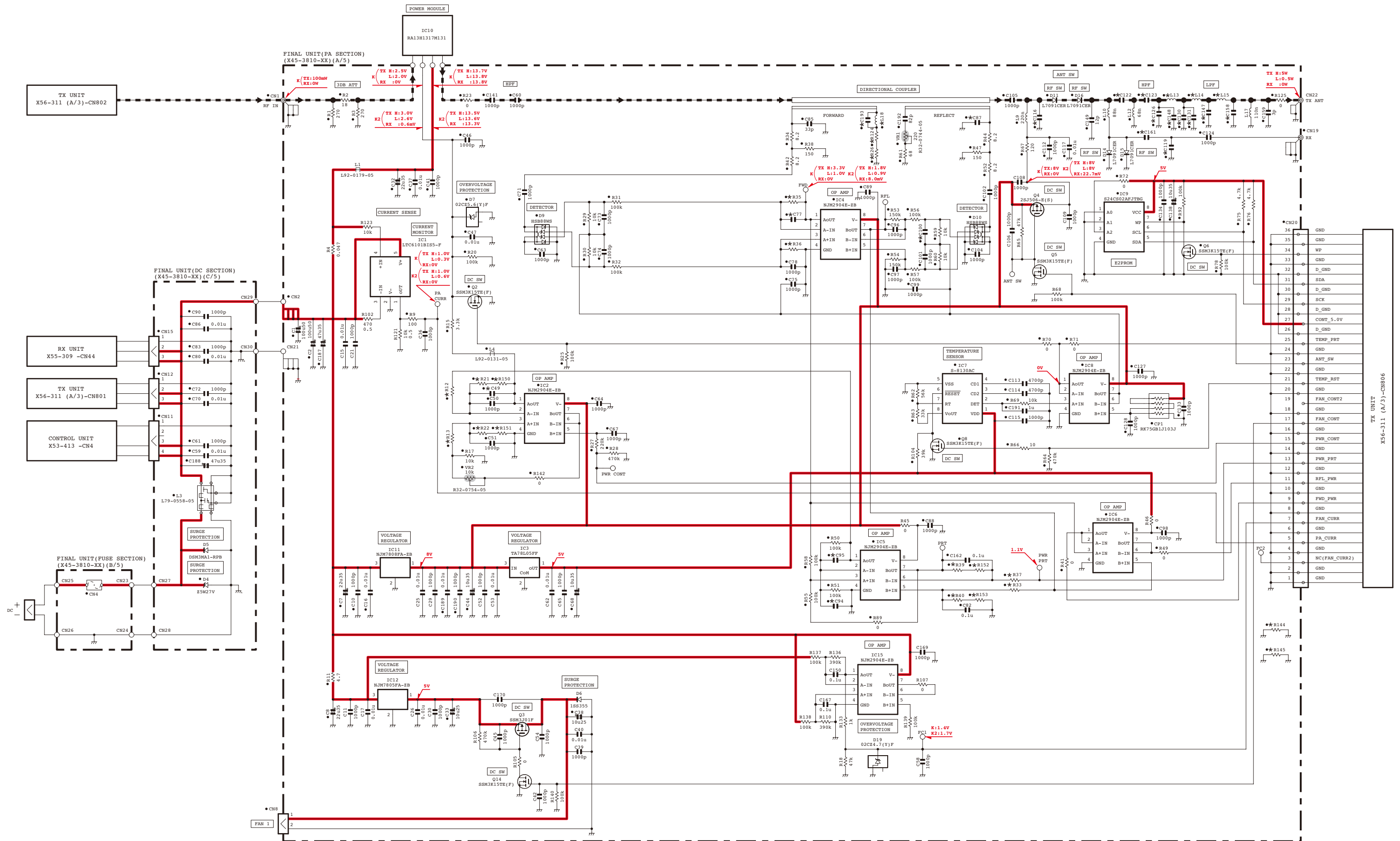
CONTROL UNIT (X53-4140-XX) -10 : K,K2 -11 : For service  
Foil side view (J79-0012-09)



J79-0012-09

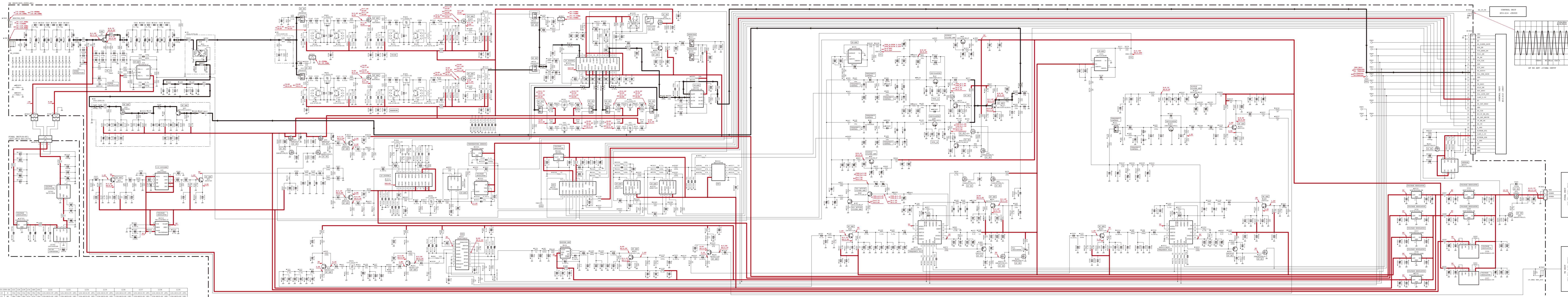
Ref. No.	Address	Ref. No.	Address	Ref. No.	Address
IC300	9K	IC700	6M	IC720	8Y
IC301	9K	IC702	6O	IC721	8O
IC302	5AA	IC704	5Q	IC727	6AB
IC304	6AA	IC705	4D	IC728	10N
IC305	7S	IC707	8Q	Q303	7S
IC307	9J	IC711	6Z	Q309	9N
IC309	9H	IC719	7Y	Q706	5Z





X45-3810-XX	R12	R13	R21	R22	R150	R151	C49
-10	K	10k	10k	180k	180k	NO	0.1u
-11	K2	56k	56k	560k	560k	470k	0.047u

X45-3810-XX	L13	L14	L15	L18	R26	R33	R35	R36	R37	R39	R40	R124	R144	R145	R152	R153	C77	C87	C94	C95	C100	C116	C119	C122	C123	C126	C130	C131	C147	C148	C158	C161	C193	
-10	K	56n	56n	56n	5.6n	82	100k	82k	82k	100k	270k	270k	10	0	NO	NO	NO	1000p	47p	0.1u	0.1u	1000p	NO	NO	56p	56p	18p	NO	33p	33p	NO	22p	12p	NO
-11	K2	68n	68n	68n	NO	47	390k	68k	68k	390k	560k	560k	18	NO	0	470k	470k	NO	56p	NO	1000p	0.1u	7p	2p	100p	33p	22p	3p	39p	39p	3p	27p	15p	68p



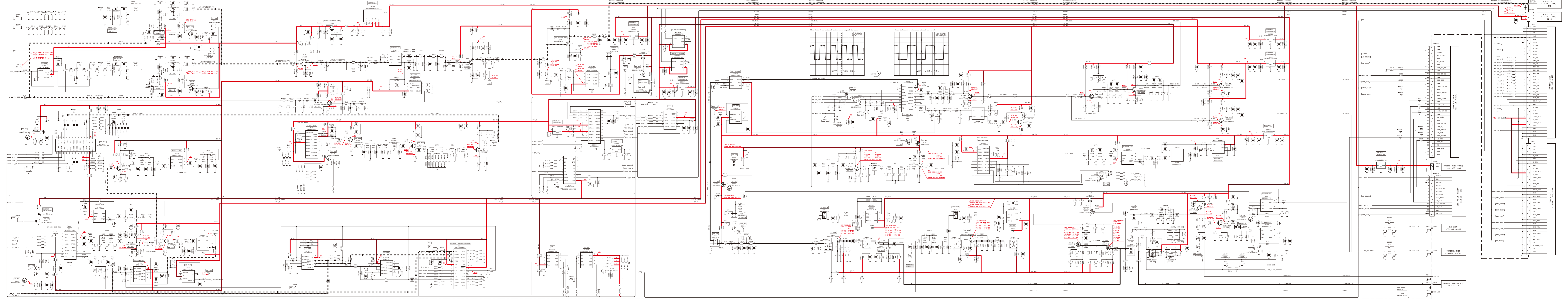
835-3990-00	51	52	53	54	55	56	57	58	59	60	61	62	63	64	65	66	67	68	69	70	71	72	73	74	75	76	77	78	79	80	81	82	83	84	85	86	87	88	89	90	91	92	93	94	95	96	97	98	99	100
101	102	103	104	105	106	107	108	109	110	111	112	113	114	115	116	117	118	119	120	121	122	123	124	125	126	127	128	129	130	131	132	133	134	135	136	137	138	139	140	141	142	143	144	145	146	147	148	149	150	

835-3990-00	101	102	103	104	105	106	107	108	109	110	111	112	113	114	115	116	117	118	119	120	121	122	123	124	125	126	127	128	129	130	131	132	133	134	135	136	137	138	139	140	141	142	143	144	145	146	147	148	149	150
151	152	153	154	155	156	157	158	159	160	161	162	163	164	165	166	167	168	169	170	171	172	173	174	175	176	177	178	179	180	181	182	183	184	185	186	187	188	189	190	191	192	193	194	195	196	197	198	199	200	

835-3990-00	201	202	203	204	205	206	207	208	209	210	211	212	213	214	215	216	217	218	219	220	221	222	223	224	225	226	227	228	229	230	231	232	233	234	235	236	237	238	239	240	241	242	243	244	245	246	247	248	249	250
251	252	253	254	255	256	257	258	259	260	261	262	263	264	265	266	267	268	269	270	271	272	273	274	275	276	277	278	279	280	281	282	283	284	285	286	287	288	289	290	291	292	293	294	295	296	297	298	299	300	

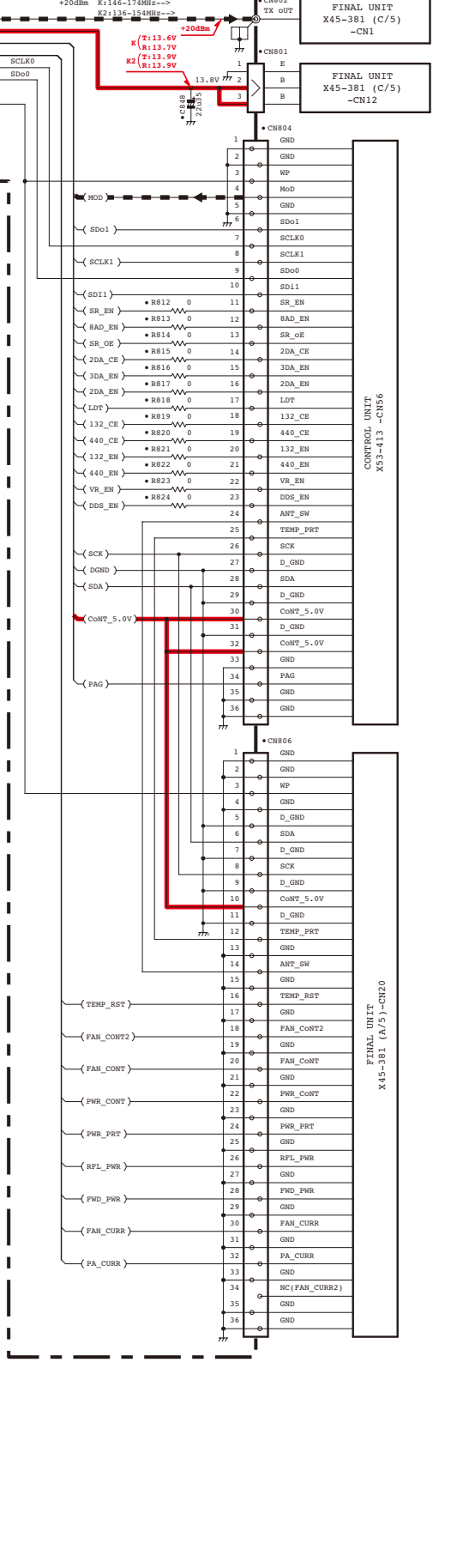
835-3990-00	301	302	303	304	305	306	307	308	309	310	311	312	313	314	315	316	317	318	319	320	321	322	323	324	325	326	327	328	329	330	331	332	333	334	335	336	337	338	339	340	341	342	343	344	345	346	347	348	349	350
351	352	353	354	355	356	357	358	359	360	361	362	363	364	365	366	367	368	369	370	371	372	373	374	375	376	377	378	379	380	381	382	383	384	385	386	387	388	389	390	391	392	393	394	395	396	397	398	399	400	

835-3990-00	401	402	403	404	405	406	407	408	409	410	411	412	413	414	415	416	417	418	419	420	421	422	423	424	425	426	427	428	429	430	431	432	433	434	435	436	437	438	439	440	441	442	443	444	445	446	447	448	449	450
451	452	453	454	455	456	457	458	459	460	461	462	463	464	465	466	467	468	469	470	471	472	473	474	475	476	477	478	479	480	481	482	483	484	485	486	487	488	489	490	491	492	493	494	495	496	497	498	499	500	

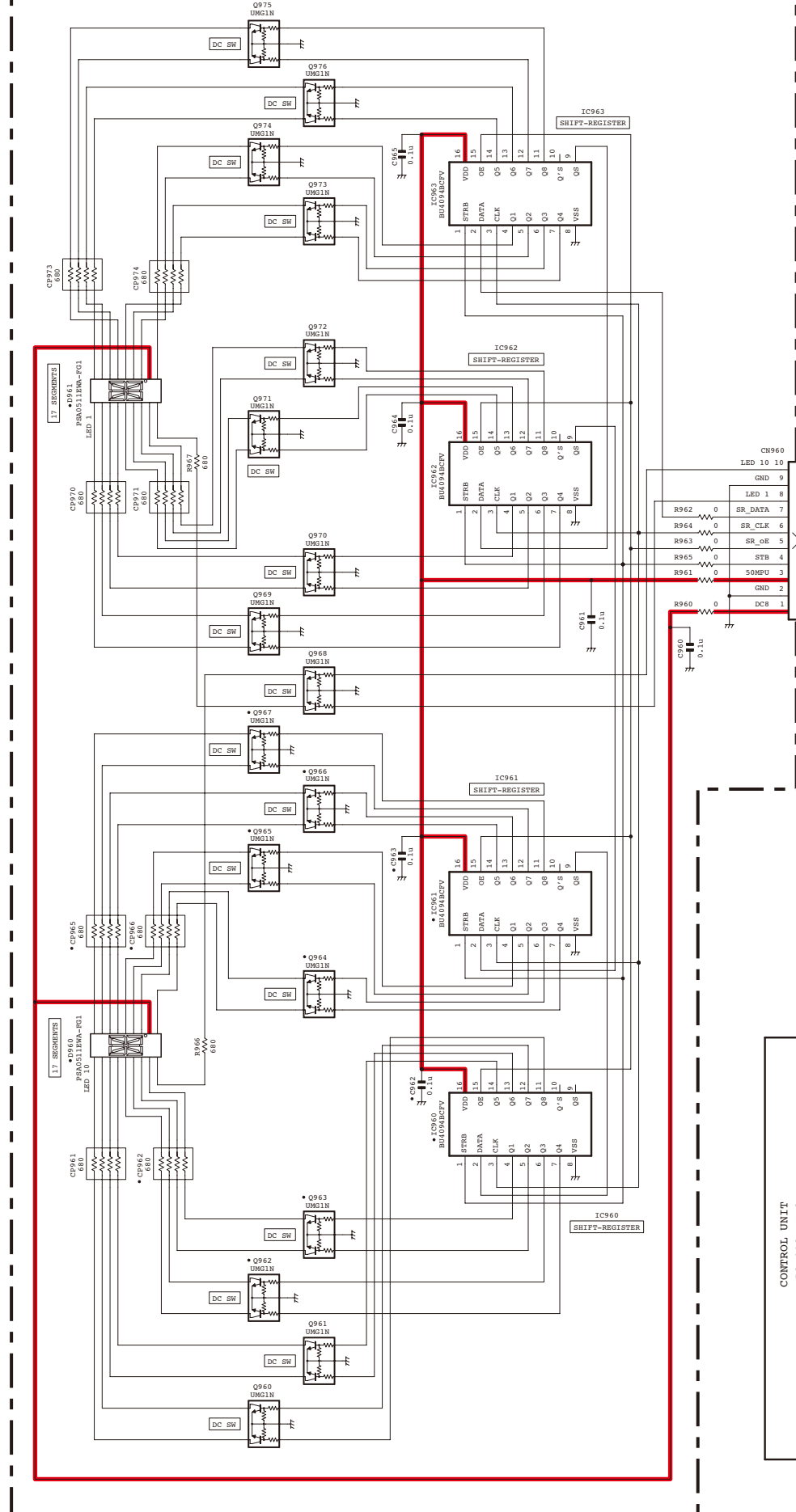


816-3110-03	8314	8316	8318	8320	8322	8324	8326	8328	8330	8332	8334
-11	X	47K	220K	0	80	80	170	80	170	80	170
-11	X	33K	220K	0	X	1.1K	150	30	150	150	370

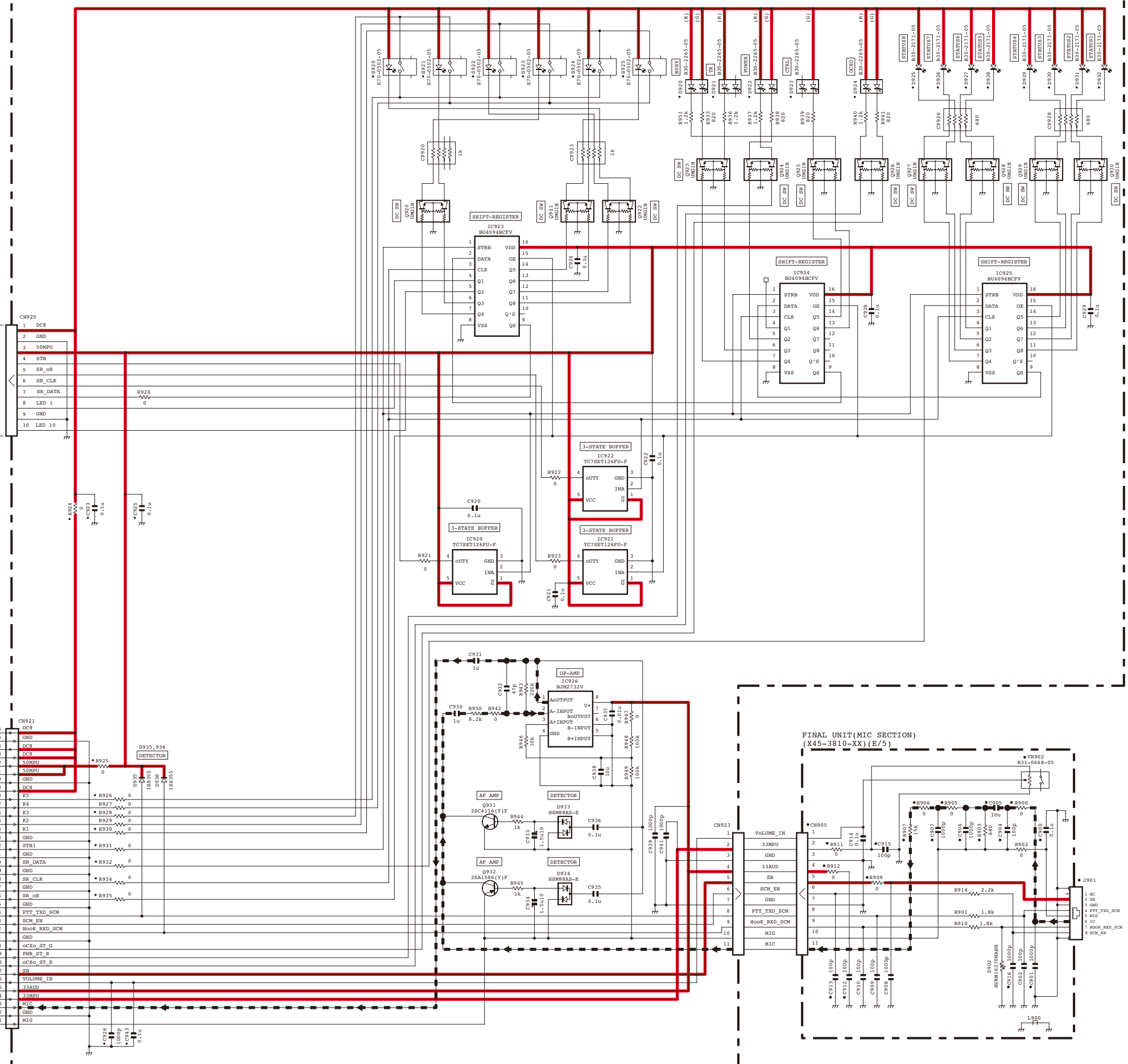
816-3110-06	8336	8338	8340	8342	8344	8346	8348	8350	8352	8354	
-11	X	47K	220K	0	80	80	170	80	170	80	170
-11	X	33K	220K	0	X	1.1K	150	30	150	150	370



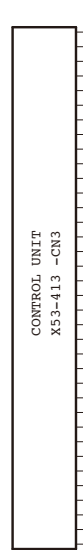
TX UNIT (17SEG)  
(X56-3110-XX)



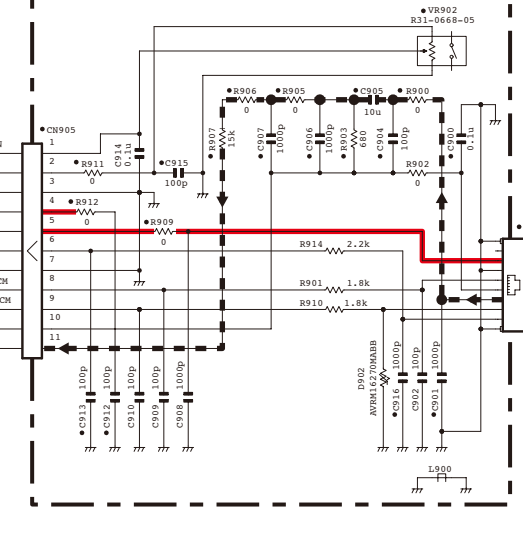
TX UNIT (LED)  
(X56-3110-XX)

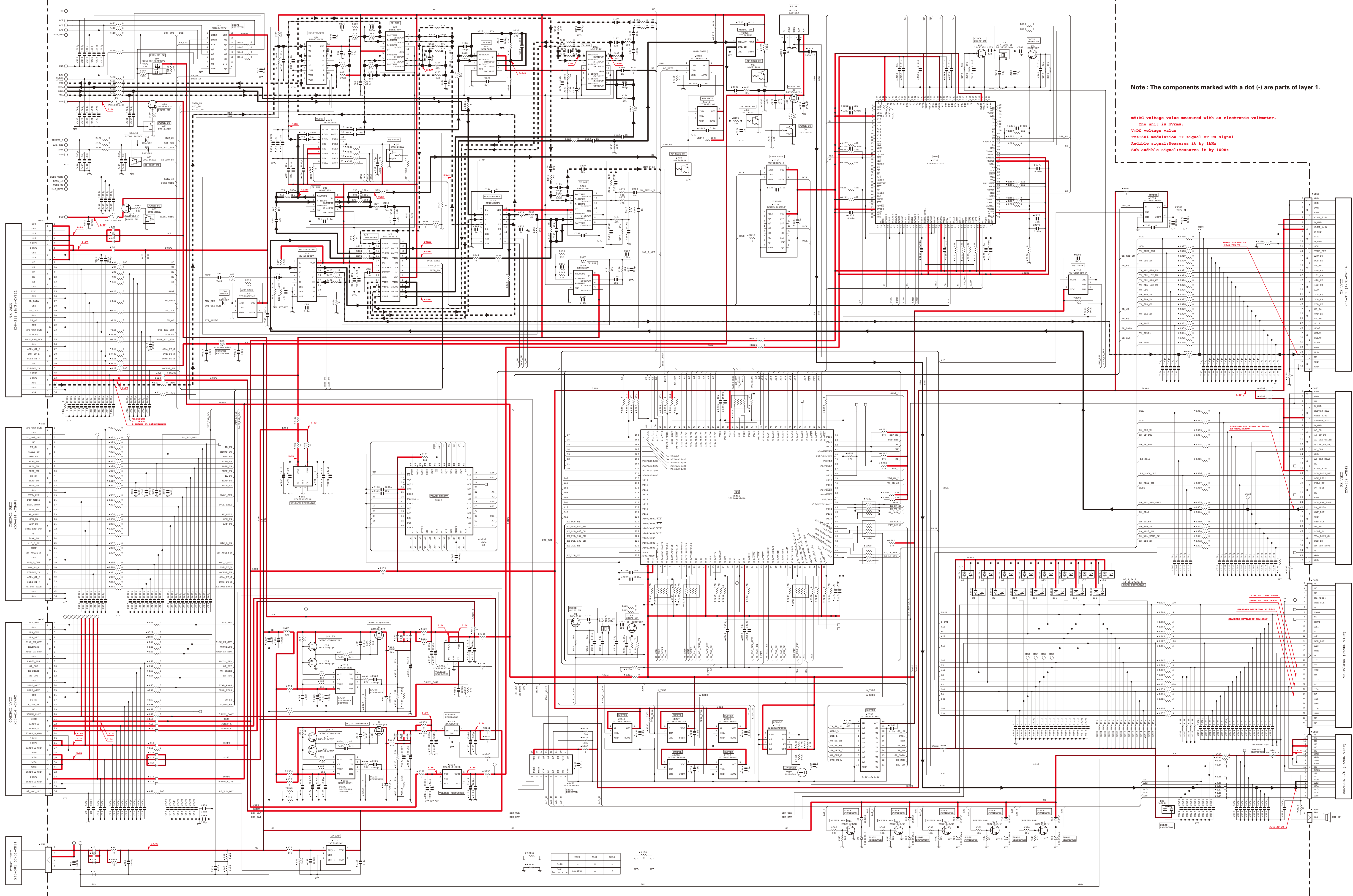


CONTROL UNIT  
X53-413 -CN3



FINAL UNIT (MIC SECTION)  
(X45-3810-XX) (E/5)





Note : The components marked with a dot (•) are parts of layer 1.

mV: AC voltage value measured with an electronic voltmeter.  
 The unit is mVrms.  
 V: DC voltage value  
 m: 1000 modulation for TX signal or RX signal  
 Audible signal: Measures it by kHz  
 Sub audible signal: Measures it by 100Hz

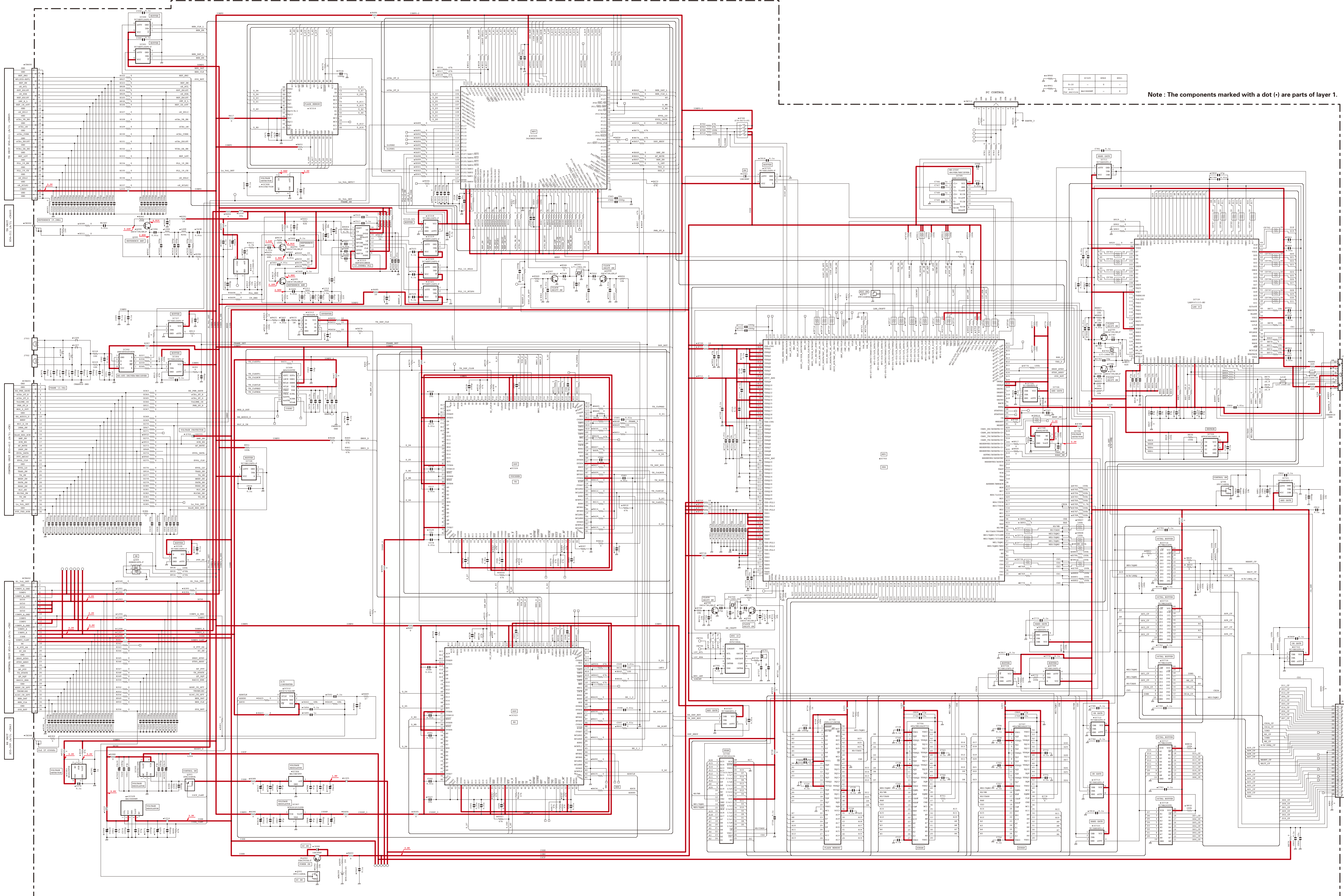
TX UNIT (X53-4130-10)

CONTROL UNIT (X53-4130-10)

RS-485 (X53-4130-10)

CONTROL UNIT (X53-4130-10)

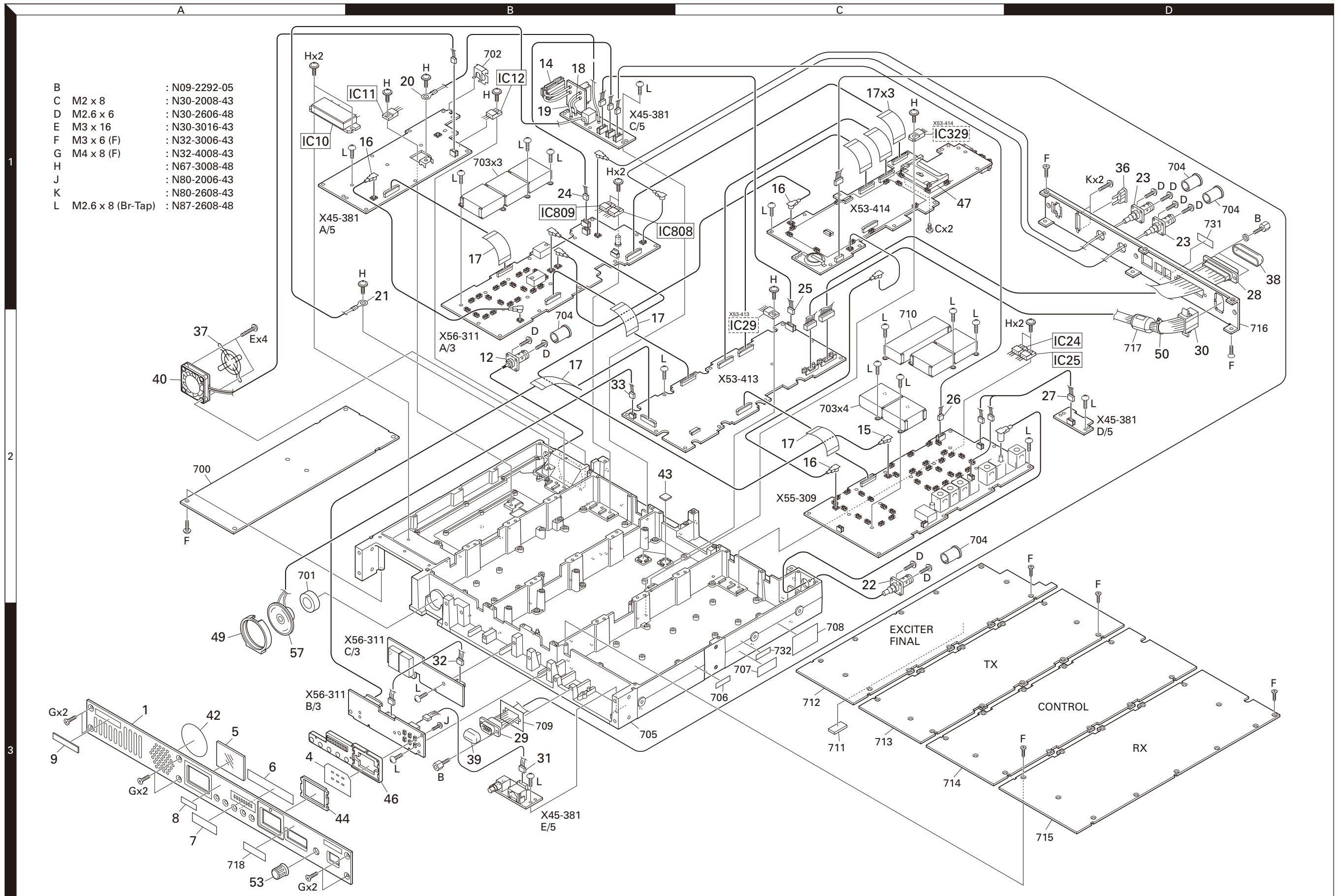
CONTROL UNIT (X53-4130-10)



PC CONTROL	001	002	003	004	005	006	007	008	009	010	011	012	013	014	015	016	017	018	019	020	021	022	023	024	025	026	027	028	029	030	031	032	033	034	035	036	037	038	039	040	041	042	043	044	045	046	047	048	049	050	051	052	053	054	055	056	057	058	059	060	061	062	063	064	065	066	067	068	069	070	071	072	073	074	075	076	077	078	079	080	081	082	083	084	085	086	087	088	089	090	091	092	093	094	095	096	097	098	099	100
001	002	003	004	005	006	007	008	009	010	011	012	013	014	015	016	017	018	019	020	021	022	023	024	025	026	027	028	029	030	031	032	033	034	035	036	037	038	039	040	041	042	043	044	045	046	047	048	049	050	051	052	053	054	055	056	057	058	059	060	061	062	063	064	065	066	067	068	069	070	071	072	073	074	075	076	077	078	079	080	081	082	083	084	085	086	087	088	089	090	091	092	093	094	095	096	097	098	099	100	

Note : The components marked with a dot (•) are parts of layer 1.

- |   |                   |               |
|---|-------------------|---------------|
| B | :                 | N09-2292-05   |
| C | M2 x 8            | : N30-2008-43 |
| D | M2.6 x 6          | : N30-2606-48 |
| E | M3 x 16           | : N30-3016-43 |
| F | M3 x 6 (F)        | : N32-3006-43 |
| G | M4 x 8 (F)        | : N32-4008-43 |
| H |                   | : N67-3008-48 |
| J |                   | : N80-2006-43 |
| K |                   | : N80-2608-43 |
| L | M2.6 x 8 (Br-Tap) | : N87-2608-48 |







NXR-700 INTERCONNECTION DIAGRAM

