

ACE-716A/AP

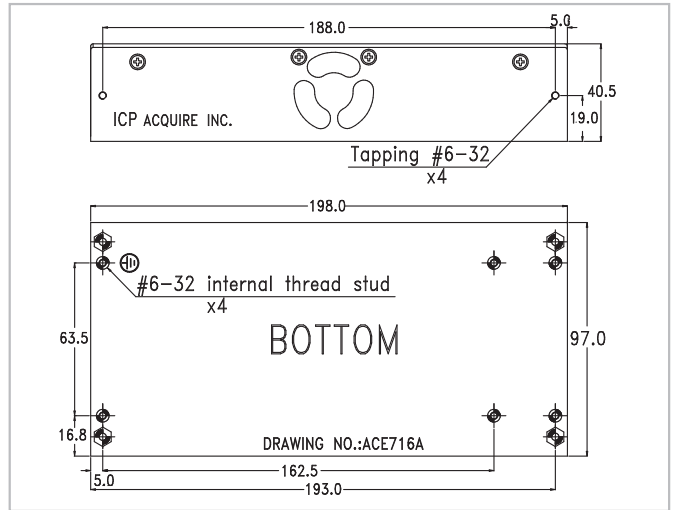
150W 1U Type AT Power Supply



Specifications

Input Type	85 ~ 135VAC, 180 ~ 265VAC Auto Range (ACE-716A) 85 ~ 265VAC Full Range (ACE-716AP)			
Output Voltage	+5V	+12V	-5V	-12V
	18A (1A min)	4A	0.5A	1A
Efficiency	75%			
Temperature	Operating: -20°C ~ 70°C (50°C ~ 70°C derating curve) Storage: -20°C ~ 85°C			
MTBF (hrs)	149,000			
Output Connector	Optional cable			
Dimensions	198 x 97 x 40.5 mm			

Dimensions (Unit: mm)



Ordering Information

Part No.	Description
ACE-716A-RS	150W AC-DC AT Power Supply
ACE-716AP-RS	150W AC-DC AT Power Supply, with PFC

Option 1	Embedded Solution	Option 2	ATX Backplane Solution
	PN: CB-716EB-RS 30 cm DC cable to CPU card with 4-pin 12 V CPU, HDD and SATA connectors		PN: CB-716BP-RS 30 cm DC cable to backplane with 20-pin ATX, HDD, SATA and HDD connectors
	Option 3 AT P8P9 Backplane Solution PN: CB-716P8P9-RS 30 cm DC cable AT power to P8P9 with HDD and SATA connectors		Option 4 AT P8P9 Backplane Solution PN: CB-643EC-RS 20 cm AC input cable with I/O connector and fuse

1 Industrial Computing Solutions

2 Video Capture Solutions

3 Embedded Computing Solutions

4 Automation Control

5 ORing Network Communication

6 Power Supply/ Peripherals

7 Panel Solutions Introduction

ACE-540A

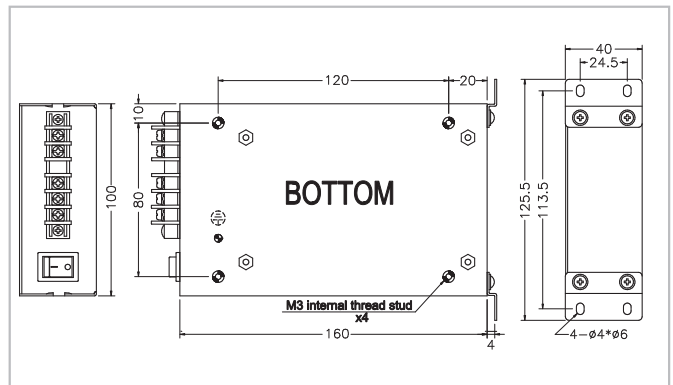
40W AC-DC AT Power Supply



Specifications

Input Type	85 ~ 264VAC Full Range				
Output Voltage	+5V	+12V	-5V	-12V	+24V
					1.7A
Efficiency	70%				
Temperature	Operating: -20°C ~ 70°C (50°C ~ 70°C derating curve) Storage: -40°C ~ 85°C				
MTBF (hrs)	370,000				
Output Connector	N/A				
Dimensions	161 x 100 x 40 mm				

Dimensions (Unit: mm)



Ordering Information

Part No.	Description
ACE-540A-RS	40W AC-DC AT Power Supply, only output +24V