

# Spare Parts

| ASSEMBLY |                   | Machine Assembly FIGURE NO |   |   |
|----------|-------------------|----------------------------|---|---|
| CODE NO. | PAGE NAME:        | A                          | B | C |
| 1193     | Bester 155-ND     | 1                          |   |   |
| 1194     | Bester 155-ND PAK | 1                          |   |   |
| 1195     | Bester 170-ND     |                            | 1 |   |
| 1196     | Bester 170-ND PAK |                            | 1 |   |
| 1197     | Bester 210-ND     |                            |   | 1 |
| 1198     | Bester 210-ND PAK |                            |   | 1 |

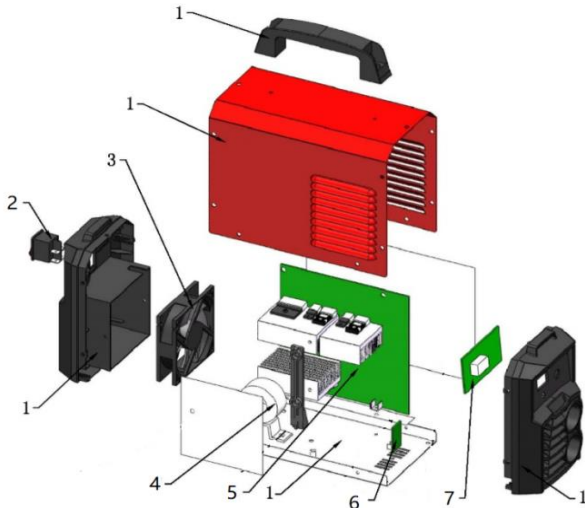


FIGURE A – Bester 155-ND

**FIGURE A – Bester 155-ND**

| Item | Order Number | Description       | Usage |
|------|--------------|-------------------|-------|
| 1    | S33553-2     | Housing           | 1     |
| 2    | S32319-3     | Power Switch      | 1     |
| 3    | S32319-4     | Fan               | 1     |
| 4    | S33553-11    | Output choke      | 1     |
| 5    | S33469-5     | Main PC Board     | 1     |
| 6    | S32319-6     | Suppression Board | 1     |
| 7    | S33553-7     | Encode PC Board   | 1     |

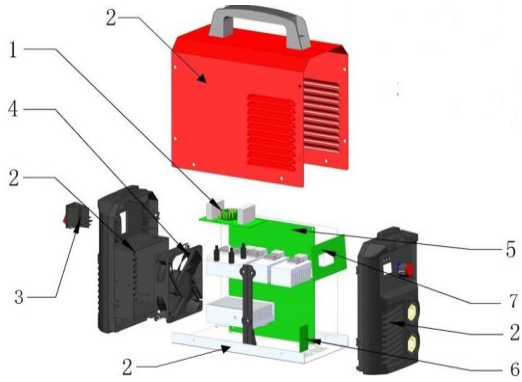


FIGURE B – Bester 170-ND

**FIGURE B – Bester 170-ND**

| Item | Order Number | Description       | Usage |
|------|--------------|-------------------|-------|
| 1    | S33470-1     | EMC Board         | 1     |
| 2    | S33554-2     | Housing           | 1     |
| 3    | S32319-3     | Power Switch      | 1     |
| 4    | S32321-4     | Fan               | 1     |
| 5    | S33554-5     | Main PC Board     | 1     |
| 6    | S32319-6     | Suppression Board | 1     |
| 7    | S33554-7     | Encode PC Board   | 1     |

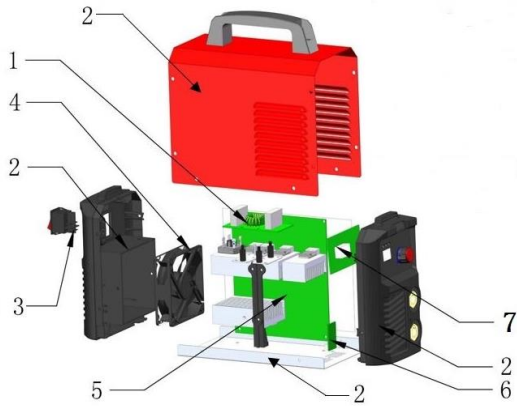


FIGURE C – Bester 210-ND

**FIGURE C – Bester 210-ND**

| Item | Order Number | Description       | Usage |
|------|--------------|-------------------|-------|
| 1    | S33470-1     | EMC Board         | 1     |
| 2    | S33555-2     | Housing           | 1     |
| 3    | S32319-3     | Power Switch      | 1     |
| 4    | S32321-4     | Fan               | 1     |
| 5    | S33470-5     | main PC board     | 1     |
| 6    | S32319-6     | Suppression Board | 1     |
| 7    | S33555-7     | Encode PC board   | 1     |