

Keep this rotor instruction manual and the centrifuge manual in the file.

## Angle Rotor for Refrigerated Centrifuge

# R10A5

(Serial No. 1001 or later)

Before using this rotor, please carefully read this instruction manual and the centrifuge instruction manual for its efficient operation and for your safety.

Keep this instruction manual for your reference and refer to it as required.

### Contents



1. Specifications	_____	1
2. Bottles	_____	3
3. How to Use	_____	4
4. Maintenance	_____	6
5. Packing List	_____	8
6. Spare Parts	_____	8
7. Decontamination	_____	9
8. Rotor Retirement	_____	9
(Appendix) K Factors	_____	10







## Safety Reminder

- Centrifuge rotors rotating at high speed have considerable potential for damage to personal properties if used improperly.  
For safe and proper use of this rotor, carefully read the centrifuge instruction manual and this rotor instruction manual before use and observe the instructions.

 **WARNING :** and  **CAUTION :** notes are used to call your attention in this manual to prevent personal injury or damage to the rotor and the centrifuge.

These notes are defined as follows.

 **WARNING:** indicates a potentially hazardous situation which, if not avoided, could result in personal severe injury or possible death.

 **CAUTION:** indicates a hazardous situation which, if not avoided, could result in personal injury or severe damage to the instrument.

### **WARNING**

- Never use any material capable of producing flammable or explosive vapors.
- Your centrifuge and rotor are not designed to confine any sample particles dispersed due to leakage. Therefore, when using toxic or radioactive samples or pathogenic or infectious blood samples, make sure to prepare necessary safety measures at your own responsibility.
- Never exceed the maximum speed of the rotor(mentioned on the rotor).  
Always reduce rotor speed as instructed in this manual when rotor speed is limited due to sample density or kinds of tubes.
- Check the attached chemical resistance chart, and do not use any sample inapplicable to the rotor.
- If the centrifuge, rotor, or an accessory is contaminated by samples that are toxic or radioactive, or blood samples that are pathogenic or infectious, be sure to decontaminate the item according to good laboratory procedures and methods.
- If there is a possibility that the centrifuge, rotor, or an accessory is contaminated by samples that might impair human health (for example, samples that are toxic or radioactive, or blood samples that are pathogenic or infectious), it is your responsibility to sterilize or decontaminate the centrifuge, rotor, or the accessory properly before requesting repairs from an authorized sales or service representative.
- It is your responsibility to sterilize and/or decontaminate the centrifuge, rotor, or parts properly before returning them to an authorized sales or service representative.

### **CAUTION**

- Do not run the rotor without the rotor cover in position.  
Tighten the cover-locking knob securely.
- Balance the tubes/bottles and the samples including the caps and the adapters within the allowable imbalance of the rotor. Do not exceed the allowable imbalance.
- Clean the inside of the drive hole (crown hole) of the rotor and the surface of the drive shaft (crown) of the centrifuge once a month. If the drive hole or the drive shaft is stained or any foreign matter is adhered, the rotor may be improperly installed and come off during operation.
- Use the rotor tubes and bottles within their actual capacities.
- Do not use tubes/bottles that have exceeded their life expectancy. Failure to do so could result in damage of tubes/bottles and the rotor and the centrifuge. The life expectancy of tubes/bottles depends on factors such as the characteristics of samples, speed of the rotor used, and temperature. Always check for deterioration and damage (cracks, deformation, and so on) on tubes/bottles before using them. Do not use the tubes/bottles if you find such a problem.
- Inspect and maintain the rotor after use. If abnormality is observed, do not use it.  
Contact an authorized sales or service representative.

# 1. Specifications

## 1.1 Construction

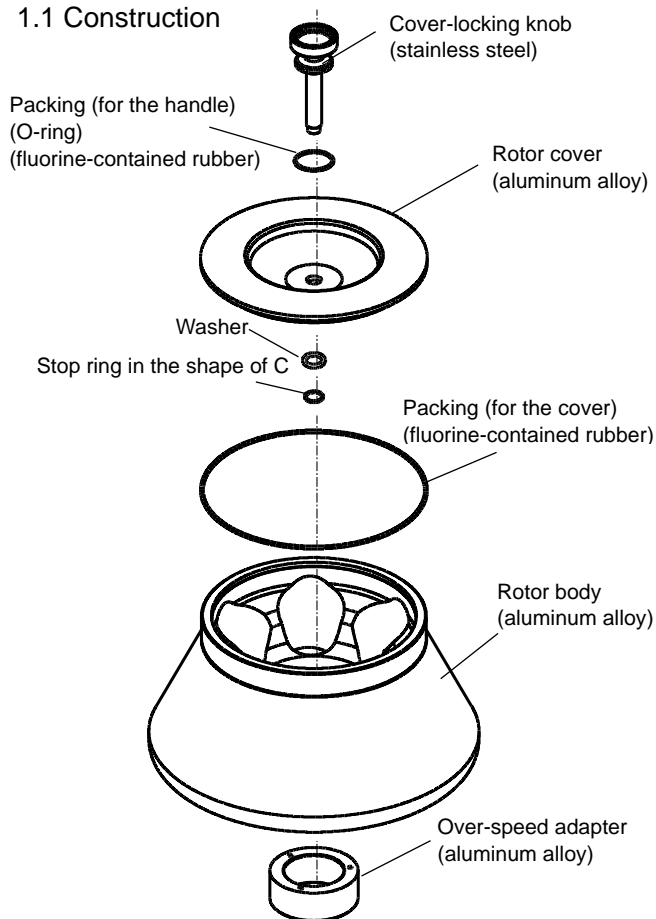


Figure1-1 Construction of R10A5 rotor

## 1.2 Specifications

Applicable centrifuge\*1

(Some centrifuges are on sale in only Japan.  
Visit our web site.)

Max. speed*2:	10,000 rpm
Max. RCF:	18,900 × g
Nominal rotor capacity:	500 mL × 6 bottles = 3000 mL
Rotor Size:	φ 348 × 219 mm
Weight:	15.5 kg
Material:	Aluminum alloy
Rotor No.:	65

\*1: For applicable centrifuges, refer to the “Applicable centrifuges (Rotors for high-speed refrigerated centrifuges) (Part No. S998611)”.

\*2: The maximum allowable speed varies with centrifuge models and so on. For further details, refer to the “Applicable centrifuges (Rotors for high-speed refrigerated centrifuges) (Part No. S998611)”.

## 1.3 Cross-sectional view of rotor

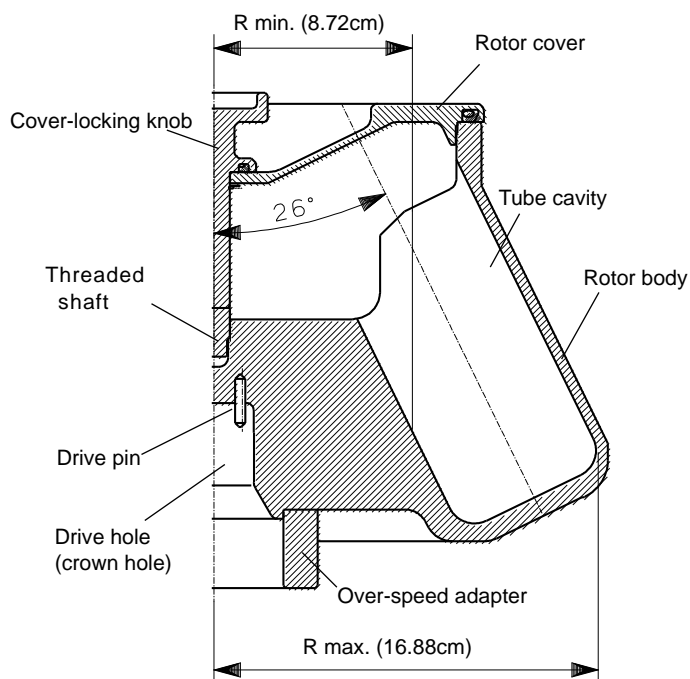


Figure1-2 Cross-sectional view of R10A5 rotor

## 1.4 Characteristic of rotor

table1-1 Characteristics

Rotor speed (rpm)	RCF (× g)		K factor*
	R = R min. (8.72cm)	R = R max. (16.88cm)	
2000	390	756	41,827
4000	1,560	3,020	10,457
6000	3,510	6,800	4,647
8000	6,240	12,100	2,614
10000	9,760	18,900	1,673

\*For details about K factor, refer to “(Appendix) K Factors”

Calculation formula

$$RCF = 1.118 \times 10^{-5} \times R \times N^2 (\times g)$$

R: Rotating radius (cm)  
N: speed(rpm)

## 1.5 Allowable speed of the rotor



### WARNING:

Do not exceed the maximum speed of the rotor. The rotor speed should be limited depending on sample characteristic, kinds of bottles and centrifuge model.  
Do not exceed the allowable speed of the rotor.

The maximum speed marked on the surface of the rotor cover is permitted under the conditions as follows.

-Average sample density : less than 1.2g/mL

-500mL bottles are used.

Depending on sample density, kinds of bottle and centrifuge model, the rotor speed may be limited as follows. Do not exceed the allowable speed of the rotor.

### (1) Allowable speed for sample density



### WARNING:

When sample density exceeds 1.2g/mL, calculate the allowable speed according to the following equation.

$$\text{Allowable speed (rpm)} = 10,000(\text{rpm}) \times \sqrt{\frac{1.2(\text{g/mL})}{\text{Average density of sample}(\text{g/mL})}}$$

### (2) Allowable speed for kinds of bottles.

The rotor speed should be limited by kinds of bottles.

For details, refer to "2.1 Applicable bottles".

Perform operation under the allowable speed, otherwise bottles may be broken during operation.

## 2. Bottles

### 2.1 Applicable bottles

Table2-1 Applicable bottles

Name	Size (mm)	Actual capacity	Max. speed	Max. RCF
Nalgene™ Polycarbonate Centrifuge Bottles (Nominal Capacity: 500 mL) Catalog# 3122-0500	φ 69.5 × 169	400 mL	10,000 rpm	18,900 × g
Nalgene™ PPCO Centrifuge Bottles (Nominal Capacity: 500 mL) Catalog# 3120-9500	φ 69.5 × 170.2	400 mL	10,000 rpm	18,900 × g

※If the bottle is filled to 90% of actual capacity at 4°C to 25°C, the allowable maximum speed and maximum RCF described in Table 2.1 are applicable. Bottles might be deformed and damaged depending on the characteristics of sample, speed of the rotor used, temperature, and so on (see the following.). In that case, perform the rotor at the lower speed.

- The sample volume that is less than 90% of actual capacity of the bottle
- The set temperature that is lower than 4°C
- The set temperature that is higher than 25°C

Refer to the attached instruction manual of the manufacturer for the details.

The allowable speed varies with centrifuge models and so on (see “1.5 Allowable Speed of the Rotor”).

- (1) Bottles are not included in this rotor. Please purchase applicable ones selecting from the above list.
  - (2) All applicable bottles for this rotor are on the market. 500 PA bottle (Part No. 330437A) can not be used in this rotor. For bottles other than the above, test them by filling with water instead of sample, and run them at the intended speed to ensure that there is no abnormality.
- Maximum speeds listed are guidelines only. Because of variances in user methodologies, no guarantee of performance is expressed or implied.

### 2.2 Cleaning and sterilization of bottles

Clean and sterilize bottles on the market according to the instructions of the manufacturer.

### 2.3 Life expectancy of plastic bottles

Plastic bottles are consumables.

The life of plastic bottle depends upon the sample, speed of rotor, temperature, etc. The life expectancies of the PC bottles specifically depend on the pre-treatment conditions such as cleaning and sterilization.

When the crazing (slight cracks) or the cracks are found on the surface of the bottle, stop using it immediately. Replace it with the new one.

## 3.How to use

### 3.1 Preparation of bottles

Check that the bottles are free from crack or deformation. Do not use remarkably deformed or cracked bottles.



#### WARNING :

- These rotors and the centrifuge are not explosion-proof. Never use explosive or flammable samples.
- For safety, there are limits on the use of bio-samples which require bio-isolation, such as pathogenic germs and DNA recombination, as well as RI substance in centrifuges. Perform strict safety controls when separating samples containing these substances.



#### CAUTION:

- Do not use any sample inapplicable to the bottles and the caps in use referring to the attached “Chemical resistance chart”. Otherwise, the bottles and the caps may be degraded.
- Chemical resistance and the strength of bottles varies with speed, temperature, and so on. Before using sample, fill bottles with water, buffer solution, etc. instead of sample and run them at the intended speed, temperature, and so on to ensure that there is no abnormality.
- Do not exceed the specified sample capacity of the bottles, otherwise sample leakage or deformation of bottles may occur.
- Balance the sample within the allowable imbalance including the weight of the bottles, caps. Excessive imbalance can cause damage to the centrifuge and the rotor.
- Use the samples that are same in compositions and same in density when placing them symmetrically. Otherwise the precipitation levels may be different by centrifugation and such operation may increase the level of imbalance. And it may result in damage to the centrifuge and the rotor.
- Balance between symmetrically arranged the bottles/tubes filled with the same-density sample. Variations in sample density cause imbalance operation.
- Before using bottles on the market, test them by filling with water instead of sample, and run them at the intended speed to ensure that there is no abnormality.
- Tighten the cap of the bottle securely, otherwise the sample leakage during operation can cause the excessive imbalance, and it may result in damage to the centrifuge and the rotor.

Inject the sample into the bottles and cap the bottles properly. Do not exceed the specified sample capacity of the bottles, otherwise sample leakage or deformation of bottles may occur.

Balance the bottles that are symmetrically arranged. The allowable imbalance of this rotor is within 6g/bottle.

### 3.2 Setting of bottles into rotor



#### CAUTION:

Do not load only one bottle nor arrange the bottle asymmetrically with respect to the drive shaft, otherwise the centrifuge or the rotor may be damaged due to excessive imbalance operation.

Check that the tube cavities of the rotor are free from foreign substances. Set the balanced bottles symmetrically with respect to the drive shaft as shown in the figure below. When using bottles of even numbers, set bottles in pairs symmetrically with respect to the drive shaft. When using bottles of odd numbers, set the bottles so as to keep the same space between bottles.

Pre-cool the rotor when the operating temperature of the rotor is lower than the room temperature or pre-heat the rotor when the operating temperature of the rotor is higher than the room temperature before setting the bottles in the rotor.

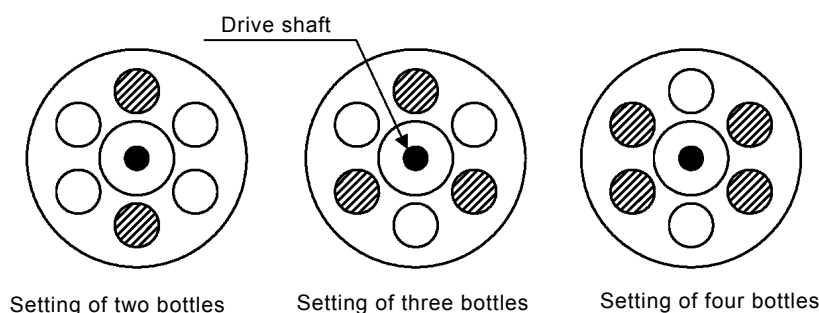


Fig.3-1 Setting of bottles



---

### 3.3 Mounting the rotor cover



#### CAUTION:

Be sure to mount the rotor cover to the rotor body and tighten the cover locking knob securely before operation, otherwise the rotor or the rotor cover may be removed during operation and result in damage to the centrifuge and the rotor.

- (1) Apply silicone grease (vacuum grease) (standard accessory of the centrifuge) to the packing (for the cover) and then fit the packing (for the cover) in the groove of the rotor body or the cover. Replace the packing (for the cover) with new one if damaged or deteriorated.
- (2) Apply lubricant for screw (Part No. 84810601) to the threaded portion of the cover. Put the rotor cover on the rotor body. Turn the cover locking knob to screw in the rotor body securely.

### 3.4 Operation

Mount the rotor onto the drive shaft of the centrifuge gently and securely. Check that the rotor cover is mounted and the cover-locking knob is securely tightened. Perform operation according to the instructions of the centrifuge instruction manual.

### 3.5 Taking out samples

After the operation, gently take out the rotor from the centrifuge and remove the rotor cover by turning the cover locking knob. Take out the bottles from the rotor and then take out the sample in a proper manner.

## 4. Maintenance

---

### 4.1 Corrosion Resistance of Rotor



**WARNING:**

Check the attached chemical resistance chart, and do not use any sample inapplicable to the rotor.

This rotor is made of aluminum alloy. The rotors made of aluminum alloy have high corrosion resistance and they are covered with an anodic oxidation coating. However, use of inapplicable chemicals can corrode these rotors and decrease the strength. Use samples that will not affect the rotor referring to the attached chemical resistance chart.

### 4.2 Maintenance of Rotor

After the operation, properly maintain the rotor to prevent corrosion that can cause the rotor breakage.

- Normal maintenance



**CAUTION:**

- Clean the inside of the drive hole (crown hole) of the rotor and the surface of the drive shaft (crown) of the centrifuge once a month. If the drive hole or the drive shaft is stained or any foreign matter is adhered, the rotor may be improperly installed and come off during operation.
- Do not soak the rotor in a dilute solution of neutral detergent or tap water. Failure to do so can cause the rotor to be damaged due to the remaining liquid inside of the rotor.

After operation, wipe the rotor and the rotor cover with a soft cloth which is dampened with a dilute solution of neutral detergent or tap water and wipe the rotor and the rotor cover with a dry cloth. Dry the rotor and the rotor cover separately.

Check that the rotor and the rotor cover are completely dried and then put a light coat of silicone grease (vacuum grease)(standard accessory of the centrifuge) on the rotor and the rotor cover. Store the rotor and the rotor cover in a dry place.

- Maintenance after use of a corrosive sample

Wipe the rotor and the rotor cover with a soft cloth which is dampened with tap water soon after operation. Then perform the normal maintenance.

- Maintenance when foreign substances are adhered to the rotor



**CAUTION:**

Use a neutral detergent having a pH between 5 and 9, otherwise the rotor can be discolored or corroded.

Wipe the inside of the tube cavities and the crown hole at the rotor bottom with a soft cloth which is dampened with tap water to remove foreign substances.

Be sure to remove foreign substances from the drive hole of the rotor bottom, otherwise the rotor and the drive shaft may be damaged.

---

### 4.3 Sterilizing Rotor

Sterilize this rotor and the rotor cover in any following methods; autoclaving (121°C, 20minutes), gas sterilization method (ethylene oxide or formaldehyde), chemical sterilization method (70% ethanol, 3% hydrogen peroxide, 3% formalin), or ultraviolet rays (200-300nm) sterilization.



**WARNING:**

- Never sterilize the rotor whose serial number is 1000 or earlier by autoclaving.
- Be sure to remove the rotor cover from the rotor before autoclaving, otherwise the rotor and the rotor cover may be deformed.
- Never sterilize the rotor and the rotor cover by boiling, otherwise they will be brittle.



**CAUTION:**

- After autoclaving, wait until the temperature in the autoclaving chamber is the same as the room temperature and then take out the rotor and the rotor cover.
- Take out the rotor and the rotor cover carefully from the autoclaving chamber as they are wet and slippery.
- Inspect the packing (for the cover) after sterilization. If you observe that the packing (for the cover) is damaged and is deteriorated, replace it with the new one.
- Do not soak the rotor and the rotor cover in chemicals. Failure to do so can cause the rotor to be damaged due to the remaining liquid inside of the rotor.

### 4.4 Inspecting Rotor

Periodically check that the rotor is free from corrosion every 100 hours use. Especially be careful of the tube cavities of the rotor and the crown hole at the rotor bottom because the rotor can be brittle if these portions are corroded. If the rotor surface is discolored, dented or cracked, the rotor is corroded. Do not use such a corroded rotor and contact an authorized sales or service representative immediately for further inspection.

## 5. Packing list

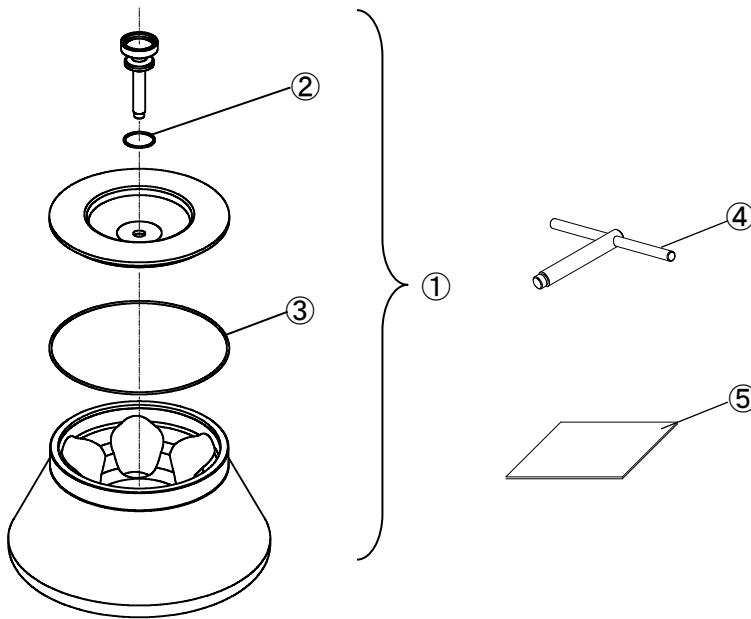
Check the parts and accessories of the rotor when the rotor is delivered. Contact an authorized sales or service representative if there are a missing item and inferior goods.

No.	Name	Qty	Part No. of spare parts (Qty)
①	Rotor	1	—
②	( Packing (for the handle)	1*	84521017 (3)
③	( Packing (for the cover)	1*	S411565A (2)
④	Rotor set handle	1	455650B
⑤	Rotor instruction manual	1	S999835




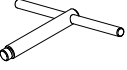

\*: The quantities of the parts that are mounted to the rotor.

《Note》

Bottles are not included in this rotor. Please purchase applicable ones on the market.



## 6. Spare parts

	PART No.	Name	Qty
	84521017	Packing (for the handle)	3
	S411565A	Packing (for the cover)	2
	84810601	Lubricant for screw	1
	483719	Silicone grease (vacuum grease)	1
	455650B	Rotor set handle	1
	S999835	Rotor Instruction manual	1

## 7. Decontamination

---



### WARNING:

- If the centrifuge, rotor or an accessory is contaminated by samples that are toxic or radioactive, or blood samples that are pathogenic or infectious, be sure to decontaminate the item according to good laboratory procedures and methods.
- If there is a possibility that the rotor or an accessory is contaminated by samples that might impair human health (for example, samples that are toxic or radioactive, or blood samples that are pathogenic or infectious), it is your responsibility to sterilize or decontaminate the rotor or the accessory properly before requesting repairs from an authorized sales or service representative. Note that we cannot repair the centrifuge, rotor or the accessory unless sterilization or decontamination is completed.
- It is your responsibility to sterilize and/or decontaminate the rotor or parts properly before returning them to an authorized sales or service representative. In such cases, copy the attached decontamination sheet and fill out the copied sheet, then attach it to the item to be returned. We may ask you about the treatment for the rotor or parts if the decontamination is checked and judged as insufficient by us. It is your responsibility to bear the cost of sterilization or decontamination. Note that we cannot repair or inspect the rotor or the accessory unless sterilization or decontamination is completed.

## 8. Rotor retirement

---

After many years of use, there will be inevitably some corrosion or stress corrosion. At some points, the combination of such damage and metal fatigue could make the rotor vulnerable to a failure.

Although a rotor may appear to be in a good condition, you should follow the rotor retirement recommendation shown below.

Rotor	Material	Retire After Years
Refrigerated centrifuge rotors	Aluminum alloy	15
	Stainless steel	

## (Appendix) K Factors

---

### • Calculation of separation time

The K factor can conveniently be used which makes it possible to estimate the settling time directly from Svedberg unit(S).

Namely, the time taken for particles of 1S to settle from Rmin. to Rmax. is K factor.

The K factor can be obtained from the formula show below.

$$K = \frac{\ln(R \text{ max.}) - \ln(R \text{ min.})}{\omega^2} \cdot \frac{10^{13}}{3600}$$

$\omega$  : Angular velocity  $\omega = 2\pi/60 \times N$

N : Speed (rpm)

Rmin. : Distance from axis of rotation to top of solution (cm)

Rmax. : Distance from axis of rotation to bottom of tube (cm)

Using the K factor, the settling time t(in hours) is expressed as follows:

$$t = \frac{K}{S}$$

For example, the K factor at the maximum speed of 10,000rpm of Model R10A5 rotor is 1673. The time taken for particles of 1000 S to be settled from R min. to R max. using this rotor is as follows:

$$t = \frac{1673}{1000} = 1.7 \text{ hours}$$

The time taken for settling of particles of 1000 S by the same rotor at a speed of 8,000 rpm is:

$$K = \left(\frac{10,000}{8,000}\right)^2 \times 1673 = 2614 \quad t = \frac{2614}{1000} = 2.6 \text{ hours}$$

---

# MEMO

---

---

**Eppendorf Himaс Technologies Co., Ltd.**

1060, Takeda, Hitachinaka City  
Ibaraki Pref., 312-8502 Japan

URL: <https://www.himac-science.com>



この取扱説明書は、遠心機本体取扱説明書と一緒にファイルに入れて大切に保存してください。

## 高速冷却遠心機用アングルロータ

# R 1 0 A 5

(製造番号：1001以降)

- ご使用前に必ずこの取扱説明書と高速冷却遠心機本体の取扱説明書をあわせてよくお読みになり、正しくご使用ください。お読みになった後は、大切に保存してください。

### —目次—

1. ロータの仕様	1
2. ボトルについて	3
3. ロータの使用法	4
4. ロータの手入れ	6
5. 部品・付属品一覧	8
6. 補給用部品一覧	8
7. 汚染除去について	9
8. ロータのリタイアメント	9
9. ロータの廃棄について	9
(付録) Kファクタについて	10



このマニュアルの内容はすべて著作権により保護されています。このマニュアルの内容の一部または全部を、無断で転載することは禁じられています。

Copyright © 2022 Eppendorf Himac Technologies Co., Ltd. All rights reserved.

この取扱説明書に記載されている会社名および製品名は、一般に各社の商標または登録商標です。

## △マークについて

この取扱説明書では、製品を安全に正しくお使いいただき、お客さまや他の人々への危害や財産の損害を未然に防ぐため、△マークをつけて注意を促すようにしています。

表示の意味は次のようになっていますので、内容を理解の上、本文をお読みください。

**△ 警告：** この表示を無視して、誤った取り扱いをすると、人が死亡または重傷を負う可能性が想定される事項を示しています。

**△ 注意：** この表示を無視して、誤った取り扱いをすると、人が傷害を負ったり、物的損害の発生が想定される事を示しています。

## △ 安全にご使用いただくために

遠心機のロータは高速回転しますので、取り扱いの誤りにより装置に多大な損害を与える場合があります。安全にご使用いただくために、ご使用前に遠心機本体およびロータの取扱説明書をよくお読みになり、次のことに十分注意を払ってください。

### △ 警告

- ・ 引火性、爆発性のある試料は使用しないでください。
- ・ 有害物質、放射性物質、病原性物質あるいは感染性が否定できない血液等の試料を分離する場合は、使用者の責任において必要な安全対策を講じた上で行ってください。一般に遠心機およびロータは、遠心中の液漏れや万一の事故などによる試料の飛散を防ぐ構造になっていませんのでご注意ください。
- ・ ロータの最高回転速度（ロータ表面に刻印してあります）を超えての使用はしないでください。また回転速度は、使用するチューブの種類や試料の密度によって制限されることがありますので、取扱説明書を参照してご注意ください。
- ・ 別冊の「耐薬品性一覧表」を参照してロータの材質に対して使用不可となっている試料は使用しないでください。ロータの腐食の原因となる場合があります。
- ・ 装置、ロータ、および付属品が有害物質、放射性物質、病原性物質あるいは感染性が否定できない血液等の試料で汚染された場合には、必ず使用者の定める適切な汚染除去の手段に従って処理してください。
- ・ お買い求めいただいた販売店もしくは当社のサービス担当に修理を依頼される場合、装置、ロータ、または付属品等が有害物質、放射性物質、病原性物質あるいは感染性が否定できない血液等の試料により、人の健康に被害を生ずる汚染された状態またはそのおそれがあるときは、必ず事前に、装置使用者の責任において適切な消毒・汚染除去を行ってください。
- ・ 装置、ロータ、および部品等を返送される場合は、必ず事前に、装置使用者の責任において適切な消毒・汚染除去を行ってください。

### △ 注意

- ・ ロータカバーは必ず取り付け、カバーハンドルを確実に締付けてください。
- ・ チューブ・ボトルと試料は、キャップ・アダプタを含めてロータの許容インバランス以内にバランスをとってください。許容量を超えたアンバランス運転はしないでください。
- ・ ロータの回転軸挿入穴（クラウン穴）と遠心機の回転軸（クラウン）の表面を1回／月の割合で清掃して下さい。回転軸挿入穴や回転軸に汚れや付着物があると、ロータの回転軸への取付けが不完全となり、回転中にロータの離脱を引き起こす恐れがあります。
- ・ チューブ・ボトルは、規定された実容量以下の液量で使用してください。
- ・ 寿命に達したチューブ／ボトルは使用しないでください。回転中にチューブ／ボトルが破損し、ロータや遠心機の損傷を引き起こす恐れがあります。  
チューブ／ボトルの寿命は、使用する試料の性質、使用するロータの回転速度、温度など使用する条件により左右されます。  
使用前に、チューブ／ボトルが変形していないか傷やひびが入っていないか等をよく確認し、異常が認められる場合は、使用しないでください。
- ・ ロータは使用ごとに手入れと点検を行ってください。異常な点がありましたら、ロータの使用を中止し、お買い求めいただいた販売店もしくは当社のサービス担当までご連絡ください。

# 1. ロータの仕様

## 1.1 構成

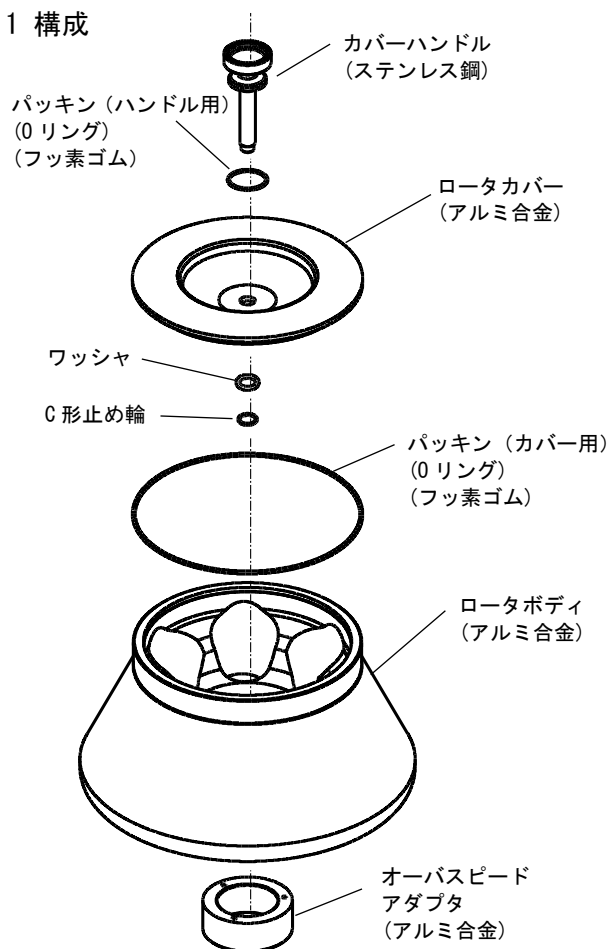


図1-1 R10A5の構成図

## 1.2 仕様

適用遠心機\*1

最高回転速度\*2 . . . . . 10,000 rpm

最大遠心加速度 . . . . . 18,900 × g

ロータ最大容量(呼称) . . . . . 500mL × 6本 = 3000mL

ロータ寸法 . . . . . φ348 × 219 mm

ロータ質量 . . . . . 15.5 kg

ロータ材質 . . . . . アルミ合金

ロータ No. . . . . 65

\*1:適用遠心機については、ロータに同梱の「適用遠心機一覧表(高速冷却遠心機用ロータ)(パーツ No.S998611)」を参照願います。

\*2:許容最高回転速度は、遠心機によって異なります。許容最高回転速度については、ロータに同梱の「適用遠心機一覧表(高速冷却遠心機用ロータ)(パーツ No.S998611)」を参照願います。

## 1.3 断面図

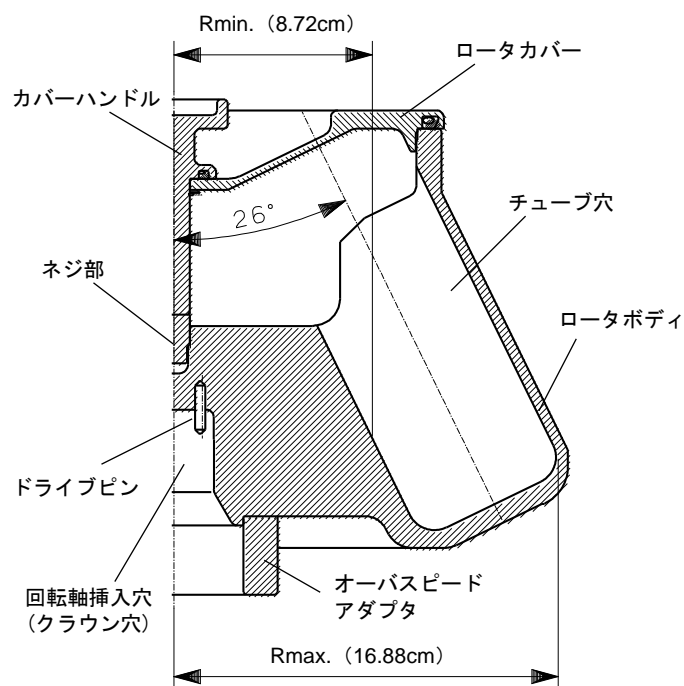


図1-2 R10A5の断面図

## 1.4 分離特性

表1-1 R10A5 分離特性表

回転速度 (rpm)	遠心加速度 (×g)		Kファクタ
	R = Rmin. (8.72cm)	R = Rmax. (16.88cm)	
2000	390	756	41,827
4000	1,560	3,020	10,457
6000	3,510	6,800	4,647
8000	6,240	12,100	2,614
10000	9,760	18,900	1,673

※ Kファクタについては、「付録.Kファクタについて」にて詳しく説明します。

回転速度と遠心加速度(RCF)の関係

$$RCF = 1.118 \times 10^{-5} \times R \times N^2 (\times g)$$

R:回転半径 (cm)

N:回転速度 (rpm)

## 1.5 ロータの許容回転速度



警告：

ロータは、いかなる場合でもそのロータの最高回転速度を越えて使用しないでください。  
また、ロータの回転速度は使用する試料、チューブ・ボトルおよび遠心機によって制限される場合があります。制限された回転速度を越えて使用しないでください。

ロータは、試料の平均密度が1.2g/mL以下で、500mL ボトルを用いた場合に、最高回転速度（ロータカバーの表面に表示されている回転速度）で使用することができます。しかし、使用する試料、ボトル、および遠心機によっては、下記に示すように回転速度が制限されますので、制限された回転速度以下でご使用ください。

### (1) 試料の密度による回転速度の制限



警告：

平均密度が1.2g/mLを越える試料は、下記の計算式によって求められる許容回転速度を越えて使用しないでください。必ず許容回転速度以下でお使いください。

$$\text{許容回転速度 (rpm)} = 10,000 \text{ (rpm)} \times \sqrt{\frac{1.2 \text{ (g/mL)}}{\text{試料の平均密度 (g/mL)}}}$$

### (2) ボトルによる回転速度の制限

ボトルによっては回転速度が制限されることがあります。詳しくは、「2.1 ボトル一覧」を参照の上、許容回転速度以下でお使いください。許容値を越えて使用するとボトルが破損する場合があります。

## 2. ボトルについて

### 2.1 ボトル一覧

表 2-1 使用可能ボトル

品名	寸法 (mm)	実容量 (mL)	最高回転速度	最大遠心加速度
Nalgene™ PC製遠心瓶 (公称容量 : 500mL) カタログ番号 3122-0500	φ 69.5 × 169	400	10,000rpm	18,900 × g
Nalgene™ PPCO製遠心瓶 (公称容量 : 500mL) カタログ番号 3120-9500	φ 69.5 × 170.2	400	10,000rpm	18,900 × g

※上記の値は、設定温度4~25℃で試料を実容量の90%以上注入した場合の値です。

下記のような使用条件では、変形・破損の恐れがありますので、最高回転速度を下げてください。

- ・試料の注入量が90%以下で使用する場合
- ・設定温度 4℃以下で使用する場合
- ・設定温度25℃以上で使用する場合

詳しくは、チューブメーカーの付属する取扱説明書を参照してください。

ご使用になる遠心機等によってロータの許容回転速度は異なります。詳しくは、「1.5 ロータの許容回転速度」を参照願います。

- 1) 本ロータにはボトルは付属されません。別途お買い求め下さい。
  - 2) 適用となるボトルは全て市販品となります。500PAボトル(P/N 330437A)はご使用になれません。  
上記以外のボトルにつきましては、最高回転速度での使用に耐えない場合がありますので、事前に予備試験を行い、異常がないことを確認してからご使用ください。
- ・使用条件により、チューブ等が上表記載の最高回転速度に耐えない場合があります。この最高回転速度の数値は、目安であり保証するものではありません。

### 2.2 ボトルの洗浄と滅菌

市販品ボトルの洗浄と滅菌につきましては、各メーカー推奨の方法により行なってください。

### 2.3 ボトルの寿命

プラスチック製のボトルは消耗品です。

ボトルは試料の性質、回転速度、温度など使用する条件によって寿命が左右されます。

特に、ポリカーボネート製のボトルは洗浄・滅菌など前処理の条件によっても寿命が左右されます。

ボトル表面にクレージング（微細なヒビ割れ）やクラック等の異常が発生した場合は、ただちにご使用を中断し、新しいボトルと交換してください。

### 3. ロータの使用法

#### 3.1 ボトルの準備

ボトルに割れ、変形がないか点検します。著しく変形したものや、割れの生じたものは使用しないでください。



警告：

- ・爆発性、引火性のある試料は、使用しないでください。本ロータおよび遠心機は防爆構造になっておりません。
- ・遠心機において、病原体、DNA組み替えなど生物的隔離が必要な生体試料、およびRI物質などの使用は安全のうえから使用制限があります。これらの物質を含む試料を分離する場合には、十分な安全管理をおこなってください。



注意：

- ・別冊の「耐薬品性一覧」を参照してボトル、ボトル用キャップ等の材質に対して使用不可となっている試料は使用しないでください。材料劣化を引き起こします。
- ・ボトルの強度や耐薬品性は、温度や回転速度などの影響で変わります。実試料で評価する前に、実際の遠心条件で予備試験を行い、問題が無いことを確認してください。
- ・ボトルは規定された実容量以下の液量で使用してください。実容量を越えて試料を入れると、液漏れや変形を起こす場合があります。
- ・ボトルと試料はキャップを含めて許容インバランス以内にバランスをとってください。許容量を超えたインバランス運転をすると、遠心機およびロータが損傷する場合があります。
- ・対称位置にセットする試料は、同じ組成、同じ密度の試料を使用してください。組成や密度が異なると沈殿量に差が生じ、試料の重心位置が不一致となります。その結果インバランス運転となり、遠心機およびロータを損傷する場合があります。
- ・試料と同じ密度の溶液でバランスをとってください。試料間の密度が異なると、インバランス量が増加します。
- ・初めてご使用になる市販品のボトルは、水などを入れ、使用する回転速度で予備試験を行い、異常がないことを確認してからご使用ください。
- ・ボトル用キャップはしっかり締付けてください。締付けが弱いと遠心中に液漏れが発生してインバランス運転となり、遠心機およびロータが損傷する場合があります。

ボトルに試料を入れ、フタをしっかりと付けます。その際、試料を実容量を越えて入れますと漏れが生じます。実容量以下でご使用ください。

ロータの対称位置にセットするボトルのバランスを取ってください。

R10A5では、ロータの対称位置にセットするボトルの許容インバランス量(質量差)を6g以内としてください。

#### 3.2 ボトルのロータへのセット



注意：

- ・1本だけのセット、あるいは、回転軸に対して非対称にボトルをセットしないでください。過大なインバランス運転となり、遠心機およびロータを損傷する恐れがあります。

ロータのチューブ穴の中に異物が入っていないことを確認します。ボトルのセット例を下図に示します。ボトルの本数が偶数の場合、2本1組となるように、回転軸に対して対称の位置にセットしてください。ボトルの本数が奇数の場合、ボトルが等間隔に並ぶように、セットしてください。

ロータの運転温度が室温より低い場合、または高い場合は、ボトルをロータにセットする前にあらかじめロータを予冷または予熱してください。

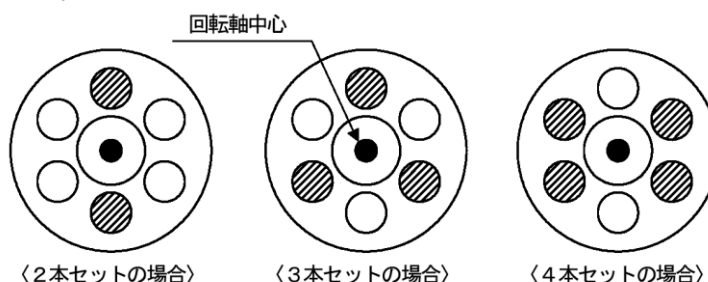


図3-1 ボトルのセット方法



### 3.3 ロータカバーの締付け



注意：

ロータカバーは必ず取付け、カバーハンドルをしっかりと締付けて使用してください。  
ロータカバーを取付けていなかった場合や、カバーハンドルの締付けが不足していると回転中にロータまたはロータカバーが離脱し、遠心機およびロータを損傷します。

(1) パッキン（カバー用）にシリコングリース（バキュームグリース）（遠心機本体付属）を塗布して、ロータカバーの溝部へ入れます。

パッキン（カバー用）に損傷、劣化が見られる場合は、新しいものと交換してください。

(2) カバーハンドルのネジ部へ潤滑グリス（ネジ潤滑剤）（パーツNo. 84810601）を塗布します。  
ロータカバーをロータボディの上へ乗せます。カバーハンドルを回して、ロータボディにねじ込み、十分に締め付けてください。

### 3.4 運転

ロータを、静かに確実に遠心機の回転軸にセットします。ロータをセットした際、ロータカバーが取付けられていること、およびカバーハンドルが十分に締付けられていることを確認します。遠心機の取扱説明書に従って運転します。

### 3.5 試料の取り出し

回転が終わったら、ロータを静かに遠心機から取り出し、カバーハンドルを回してロータカバーを外します。ロータからボトルを取り出して、試料を回収します。

## 4. ロータの手入れ

### 4.1 ロータの耐食性



警告：

別冊の「耐薬品一覧表」において、ロータの材質に対して使用不可になっている試料は使用しないでください。

本ロータボディの材質はアルミ合金です。アルミ合金製ロータは、耐食性に優れた素材を使用し表面を陽極酸化被膜で保護しています。しかし、耐薬品性上で使用不可になっている試料を使用しますと腐食や材料の溶解を招き、ロータの強度を低下させます。別冊の「耐薬品性一覧表」を参照して、ロータの耐薬品性が問題ない試料をお使いください。

### 4.2 ロータの清掃

ロータ破損の原因となる腐食を防ぐため、使用後は手入れをおこなってください。

#### ●通常の手入れ



注意：

- ・ロータの回転軸挿入穴（クラウン穴）と遠心機の回転軸（クラウン）の表面を1回／月の割合で清掃してください。回転軸挿入穴や回転軸に汚れや付着物があると、ロータの回転軸への取付けが不完全となり、回転中にロータの離脱を引き起こす恐れがあります。
- ・水道水や洗剤による浸漬洗浄は、絶対に行わないでください。  
ロータ内部に液体が残留し故障の原因となります。

ロータの使用後は、水道水または中性洗剤の希釈溶液で湿らせた柔らかい布で汚れを取り除き、蒸留水で湿らせた布で拭きます。乾燥した柔らかい布で水滴を拭きとり、カバーを外したままロータを乾燥します。ロータが完全に乾いたことを確かめてから、シリコングリース（バキュームグリース）（遠心機本体付属）を薄く塗布し、乾燥した雰囲気中で保管してください。

#### ●腐食性の試料を用いた場合

使用後直ちに水道水で湿らせた布でよく拭きます。その後、通常の手入れをおこなってください。

#### ●ロータに付着物がある場合



注意：

洗剤をお使いになる場合は、pH5～9の中性洗剤をご使用ください。  
それ以外の洗剤を使用しますと、変色、腐食の原因となります。

チューブ穴や、ロータ底の回転軸挿入穴（クラウン穴）を湿らせた柔らかい布で拭き、付着物を取り除いてください。とくにロータ底の回転軸挿入穴（クラウン穴）に付着物があると、ロータや回転軸を破損することがありますのでご注意ください。

#### 4.3 ロータの滅菌

R10A5ロータの滅菌は、オートクレーブ滅菌(121°C、20分間)、ガス滅菌(エチレンオキシド、ホルムアルデヒド)、薬液滅菌(70%エタノール、3%過酸化水素、3%ホルマリン)、紫外線滅菌(200~300nm)のいずれかの方法で行ってください。



**警告：**

- ・オートクレーブ滅菌が可能なロータは、製造番号1001以降のロータに限ります。それ以前のロータは、オートクレーブ滅菌に対応しておりません。
- ・オートクレーブ滅菌は、ロータカバーを必ずロータから外して行ってください。ロータカバーを取り付けたままオートクレーブ滅菌をすると、ロータやロータカバーが変形する場合があります。
- ・煮沸滅菌は強度低下を招くため、絶対に行わないでください。



**注意：**

- ・滅菌槽が室温まで下がってからロータおよびロータカバーを取り出してください。
- ・滅菌槽からの取り出しは慎重に行ってください。水滴が付いて滑りやすくなっているため、落としてけがをすることがあります。
- ・滅菌後はパッキン(カバー用)を点検してください。パッキン(カバー用)が劣化しますと回転中に破損する恐れがあります。パッキン(カバー用)に損傷、劣化が見られる場合は、新しいものと交換してください。
- ・薬液での浸漬滅菌は、絶対に行わないでください。ロータ内部に薬液が残留し故障の原因となります。

#### 4.4 ロータの点検

ロータは定期的(100時間使用毎または1回/月)に腐食をチェックしてください。特にロータのチューブ穴およびロータ底のクラウン穴等は、腐食した場合の強度低下が大きいので十分にチェックしてください。腐食は表面の変色、くぼみ、クラック等により見分けることができます。腐食をみつけた時にはその後のロータの使用をやめ、お買い求めいただいた販売店もしくは当社のサービス担当に連絡しチェックを受けてください。

## 5. 部品・付属品一覧

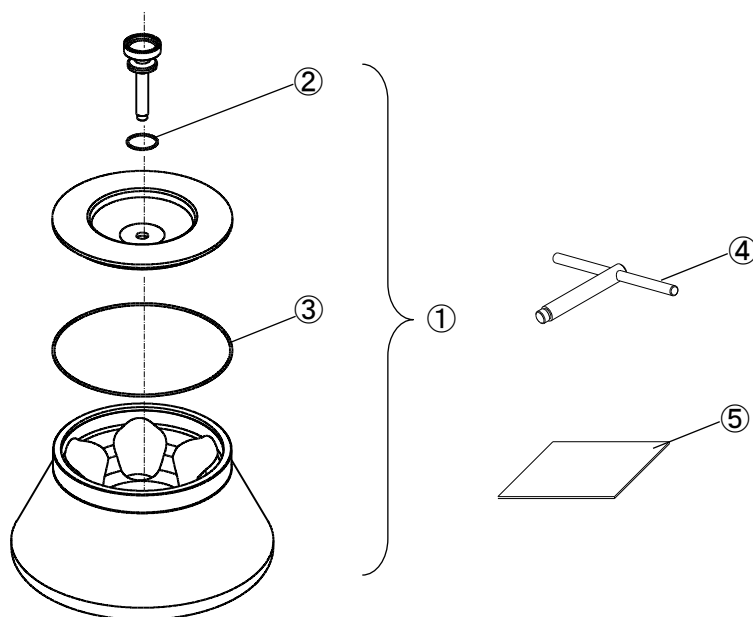
ロータ受領時に、ロータの部品、付属品のチェックをおこなってください。万一、欠品または不良品がございましたら、お買い求めになられた販売店、または、当社のサービス担当までご連絡ください。

番号	部品名	個数	補給用部品パーツNo. (員数)
①	ロータ	1	—
②	(パッキン (ハンドル用))	1*	8 4 5 2 1 0 1 7 (3)
③	(パッキン (カバー用))	1*	S 4 1 1 5 6 5 A (2)
④	ロータセットハンドル	1	4 5 5 6 5 0 B
⑤	取扱説明書	1	S 9 9 9 8 3 5

※ロータに組み込まれている個数

《ご注意》

ロータにはボトルは付属されておきませんので、別途お買い求めのうえご使用ください。



## 6. 補給用部品一覧

外観図	パーツ No.	品名	入数
	8 4 5 2 1 0 1 7	パッキン (ハンドル用)	3
	S 4 1 1 5 6 5 A	パッキン (カバー用)	2
	8 4 8 1 0 6 0 1	潤滑グリス (ネジ潤滑剤)	1
	4 8 3 7 1 9	シリコングリース (バキュームグリース)	1
	4 5 5 6 5 0 B	ロータセットハンドル	1
	S 9 9 9 8 3 5	ロータ取扱説明書	1

## 7. 汚染除去について



警告：

- 装置、ロータ、および付属品が有害物質、放射性物質、病原性物質あるいは感染性が否定できない血液等の試料で汚染された場合には必ず使用者の定める適切な汚染除去の手順に従って処理してください。
- お買い求めいただいた販売店もしくは当社のサービス担当に修理を依頼される場合、装置、ロータ、または付属品等が有害物質、放射性物質、病原性物質あるいは感染性が否定できない血液等の試料により、人の健康に被害を生ずる汚染された状態またはそのおそれがあるときは、必ず事前に、装置使用者の責任において適切な消毒・汚染除去を行ってください。  
この消毒・汚染除去が完了するまで、当社は装置の修理ができません。
- 装置、ロータ、および部品等を返送される場合は、必ず事前に、装置使用者の責任において適切な消毒・汚染除去を行ってください。尚、ロータに付属している汚染除去書をコピーしご記入の上、修理・返却品等に添付してください。  
当社施設で遠心機、ロータ、または付属品等を受け取り、当社の見解として有害物質、放射性物質、病原性物質あるいは感染性が否定できない血液等の試料による汚染が除去されていないと判断した場合、装置の処理について指示をいただくためにお客様にご連絡させていただきます。  
装置、ロータ、および部品等の消毒・汚染除去等の処理にかかる費用は、お客様にご負担いただきます。この消毒、汚染除去が完了するまで、当社は修理や調査等ができません。
- ご相談、ご質問は、裏表紙の遠心機お客様相談センターにお問い合わせください。

## 8. ロータのリタイアメント

ロータを長年使用し続けると、経年劣化や腐食等が徐々に進行し、ロータの外観上に変化が見られなくてもロータの強度が低下している可能性があります。このようなロータを使い続けることにより破壊事故等を起こす恐れがありますので、以下に示すリタイアメント年数を過ぎたロータは廃棄されるようお願いいたします。

ロータ種類	材質	リタイアメント年数
高速冷却遠心機用ロータ	アルミ合金 ステンレス鋼	15年

## 9. ロータの廃棄について

- ・廃棄物は、お使いになったお客様が自らの責任において適正に処理することが「廃棄物の処理及び清掃に関する法律」（廃掃法）で定められております。ロータ（バケット、チューブ、ボトル、アダプタなども同様です）を廃棄するときは、産業廃棄物処理の許可を持った廃棄物処理業者に廃棄処理を委託してください。なお、ロータ（バケット、チューブ、ボトル、アダプタなども同様です）が有害物質、放射性物質、病原性物質あるいは感染性が否定できない血液等の試料などで、人の健康に被害を生ずるような汚染が生じていたり、またはその恐れがあるときは、廃棄物処理業者に汚染物質を使用された旨ご通知願います。
- ・ロータの廃棄でお困りの場合は、裏表紙の遠心機お客様相談センターにお問い合わせください。

## 付録. K ファクタについて

---

### ・分離時間の求め方

粒子の沈降時間を推定するために必要なファクターとして、試料固有のファクターである Svedberg unit (S) とロータ固有のファクターである K ファクタがあります。

1S の粒子が Rmin. から Rmax. まで沈降される時間が、K ファクタとなります。

K ファクタは次式により求められます。

$$K = \frac{\ln(R \max.) - \ln(R \min.)}{\omega^2} \cdot \frac{10^{13}}{3600}$$

$\omega$  : 角速度  $\omega = 2\pi/60 \times N$

N : 回転速度 (rpm)

Rmin. : ロータの回転中心から溶液上面までの距離 (cm)

Rmax. : ロータの回転中心からチューブ底面までの距離 (cm)

K ファクタを用いることにより沈降時間 t(hr)は、

$$t = \frac{K}{S}$$

と表わされます。

例えば、R 1 0 A 5 ロータの最高回転速度 10000rpm での K ファクタは、1673 であり、このロータを用い 1000S の粒子を Rmin. から Rmax. まで沈降させるには

$$t = \frac{1673}{1000} = 1.7 \text{ 時間}$$

かかり、また同一ロータで 8000rpm で 1000S の粒子を分離するには

$$K = \left(\frac{10,000}{8,000}\right)^2 \times 1673 = 2614 \quad t = \frac{2614}{1000} = 2.6 \text{ 時間}$$

かかることとなります。

---

# MEMO

---

## エッペンドルフ・ハイマック・テクノロジーズ株式会社

〒312-8502 茨城県ひたちなか市武田1060番地

遠心機お客様相談センター **フリーダイヤル** (0120) 02 - 4125 (無料)  
(土・日・祝日・弊社特別休業日を除く 9:00~12:00 13:00~17:00)

(URL <https://www.himac-science.jp>)