



## 42-500-200 Dart Drop Tester

### Standards

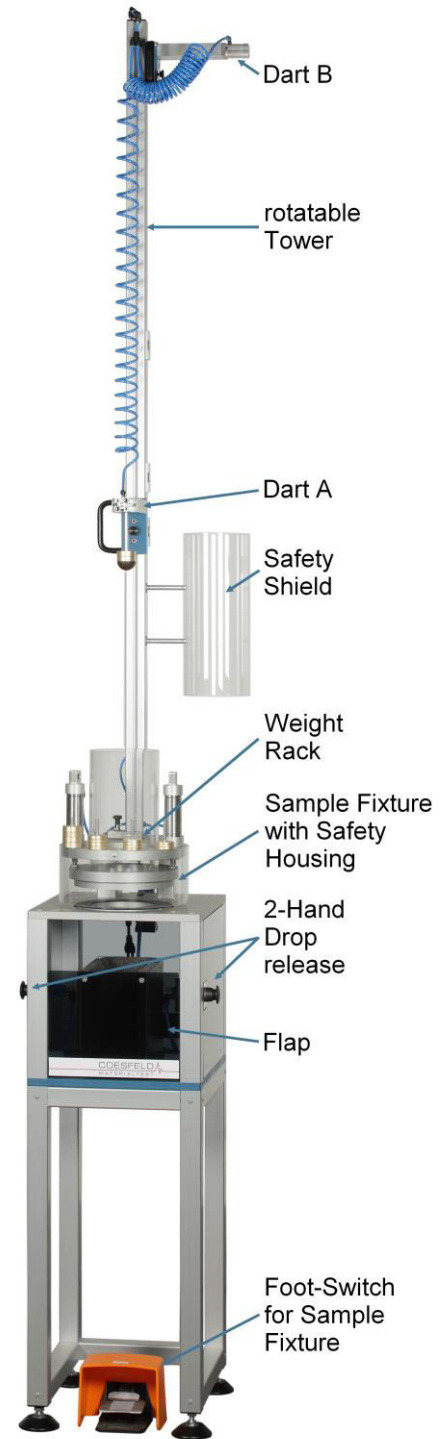
DIN EN ISO 7765-1, ASTM D 1709



Table Top Setup



Weight Set



Floor Standing Setup

### Application

Dart drop test on foils determining the energy that causes plastic film to fail under specified conditions of impact of a free-falling dart in accordance with the standards DIN EN ISO 7765-1 and ASTM D 1709.

### Features

The Dart Drop Tester equipped with a pneumatic sample fixture and dart release. The modular design allows desktop as well as floor standing set-up and is optionally equipped for Method A of Method B testing.

The sample fixture works via foot switch to keep your hands free. The drop is released via two-hand safety release.

The dart drops into the easy to access flap or if sample does not break the dart can be easily removed out of the acryl safety cylinder.

The standard weight set can be fixed directly at the testing space for fast weight changes.

The optional intuitive software guides you through the measurement and provides a ready to print report.



### Technical Data

	Method A	Method B
Drop Height	660 mm	1500 mm
Impact Speed	3.6 m/s	5.4 m/s
Impact Weight	50 g – 1400 g	300 g – 2000 g
Diameter of the Dart	38.1 mm	50.8 mm

### Dimensions and Connection

Dimensions (DxWxH)	approx. 460 x 330 x 1340 mm (Method A), approx. 460 x 330 x 2170 mm (Method B)
Weight	approx. 50 kg
Air Supply	6 to 10 bar

### Partlist

Item no.	Description
DDT-1	Dart Drop Tester
DDT-2	Drop Tower, Method A, 660 mm
DDT-3	Drop Tower, Method A+B, 1500 mm, fixed
DDT-4	Drop Tower, Method A+B, 1500 mm, rotatable
DDT-23	Plummet for Drop Tower
DDT-5	Dart Catcher
DDT-6	Dart Catcher Extension, Floor Standing
DDT-20	Dart Catcher Extension, Table Top Set-Up
DDT-7	Sample Fixture Ring-Set
DDT-9	Dart A, phenolic, 50 g to 1400 g, for Weight-Ø 31 mm
DDT-10	Dart B, stainless steel, 300 g to 2000 g, for Weight-Ø 45 mm
DDT-11	Weight, 5 g
DDT-12	Weight, 15 g
DDT-13	Weight, 30 g
DDT-14	Weight, 45 g
DDT-15	Weight, 60 g
DDT-16	Weight, 90 g
DDT-17	Weight Box
DDT-18	Tablet PC incl. DDT-Software
DDT-19	DDT-Software
	--- One foot valve must be selected per device ---
DDT-21	Foot valve with spring return
DDT-22	Foot valve with locking function
DDT-8	Safety Housing, Sample Fixture
DDT-24	Protective tube A
DDT-25	Protective tube B