

## INSTRUCTION MANUAL

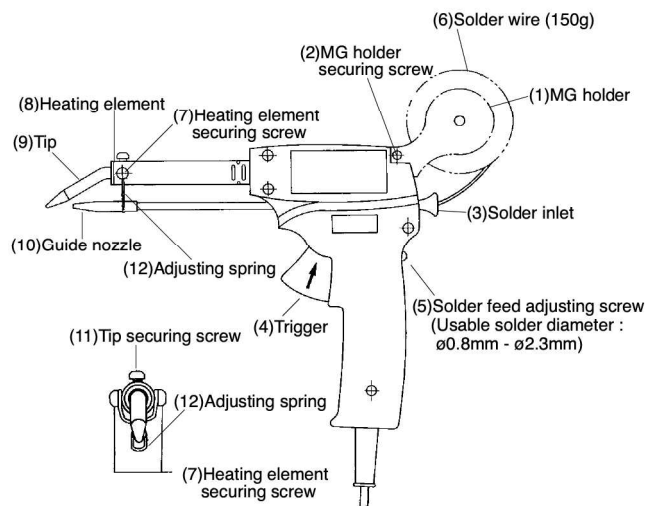
### ⚠ CAUTION

When the power is on, the tip temperature can reach over 300°C(572°F). Since mishandling may lead to burns or fire, be sure to comply with the following precautions.

- Do not touch the tip and the metallic parts near the tip.
- Do not use the product near flammable items.
- Unplug and place in the iron holder when the unit is not in use.
- Do not warm up the soldering iron with the tip pointing down.
- Do not use the unit for applications other than soldering.
- Do not wet the unit or use the unit when your hands are wet.
- Do not modify the unit. Use only genuine HAKKO replacement parts.  
If the power cord is damaged, it must be replaced by the manufacturer, its service agent or similarly qualified person in order to avoid personal injury or damage to the unit.
- Do not shock the unit, or otherwise subject the heating element to severe damage.
- The soldering process will produce smoke, so make sure the area is well ventilated.
- Children should be supervised to ensure that they do not play with the Hakko MG.

### ■ FEATURES

- One-hand operation. Just press the trigger to feed solder to the heated tip.
- Easily accepts any size solder between  $\varnothing 0.8$  and  $\varnothing 2.3$ mm. Simply press the trigger upwards, remove the old solder and insert the new one.
- Highly precise feed control mechanism can be adjusted to feed between 3mm and 8mm of solder at a time.
- Quick and easy replacement of the heating element.
- Compact, lightweight design for fatigue-free soldering even during long periods of continuous use.
- Special alloy-plated Everpoint tip resists wear for a longer, more efficient service life.



### ■ OPERATION

1. Unscrew the two screws which secure the heating element and adjust the adjusting spring back or forth until the solder wire just touches the underside of the tip.
2. When performing continuous soldering, use a 0.5kg(1.1lb.) or 1.0kg(2.2lb.) spool of solder wire (6). For greater convenience, set the spool on the work bench or hang it from the ceiling. When performing smaller soldering jobs, attach the optional MG holder (1) to the MG soldering iron and use the 150g(0.33lb.) spool of solder wire.
3. To attach the MG holder (1) to the MG soldering iron, unscrew the two screws (2) at the back of the iron, insert the MG holder, and secure it to the iron with the two screws.
4. To insert the soldering wire, pull the trigger (4) upwards and insert straight approx.120mm(4.7 in.) of the end of the soldering wire into the solder inlet (3). Feed it through the soldering iron by pulling the trigger.
5. Using a screwdriver, adjust the amount of solder wire that is fed to the tip with one pull of the trigger by turning the wire feed adjustment screw (5). Turn the screw clockwise to decrease the amount of wire and turn it counterclockwise to increase the amount of the wire. (Min. Approx.3mm - Max. Approx.8mm)
6. To remove the solder wire from the MG soldering iron, pull the trigger upwards and draw the wire out from the guide nozzle at back of the iron. If the wire is too short to grasp with the fingers, use a pair of wire cutting pliers.
7. To replace the heating element, remove the lid at the rear of the MG soldering iron, unscrew the connecting screws and the screws (7,11), and remove the heating element. It is not necessary to completely disassemble the MG soldering iron to replace the heating element as the element is not directly connected to any of the other components inside the iron.

## NOTE :

- Please refer to No.7 of OPERATION in the front page to replace the heating element.
- Please use a suitable guide nozzle to the diameter of solder.
- The MG holder (1) for 150g spool of solder will be sold separately
- Remove the remained solder in the guide nozzle or guide pipe immediately pulling it out from the hole of guide nozzle with pliers or the like.

## ■ SPECIFICATIONS

Model No.	Power consumption	Standard tip	Weight(w/o cord)
582	30W	582-T-4	266g
583	40W	582-T-4	266g
585	60W	585-T-6	290g
587	80W	587-T-8	318g
589	100W	587-T-8	322g
592	150W	592-T-10	380g

## ■ REPLACEMENT PARTS

### ● TIPS

Part No.	Part Name	Specifications
582-T-4	Tip ø4mm	for 30W, 40W
585-T-6	Tip ø6mm	for 60W
587-T-8	Tip ø8mm	for 80W,100W
592-T-10	Tip ø10mm	for 150W

### ● OPTIONAL PARTS

Part No.	Part Name	Specifications
582-022	Spool holder	
582-N-0.8	Guide nozzle	for ø0.8mm
582-N-1.0	Guide nozzle	for ø1.0mm
582-N-1.2	Guide nozzle	for ø1.2mm
582-N-1.6	Guide nozzle	for ø1.6mm
582-N-2.3	Guide nozzle	for ø2.0-2.3mm
607	Iron holder	



### HAKKO CORPORATION

#### HEAD OFFICE

TEL: +81-6-6561-3225 FAX: +81-6-6561-8466  
<http://www.hakko.com> E-mail: [sales@hakko.com](mailto:sales@hakko.com)

#### OVERSEAS AFFILIATES

U.S.A.: AMERICAN HAKKO PRODUCTS, INC.

TEL: (661) 294-0090 FAX: (661) 294-0096

Toll Free (800)88-HAKKO

<http://www.hakkousa.com>

HONG KONG: HAKKO DEVELOPMENT CO., LTD.

TEL: 2811-5588 FAX: 2590-0217

<http://www.hakko.com.hk>

E-mail: [info@hakko.com.hk](mailto:info@hakko.com.hk)

SINGAPORE: HAKKO PRODUCTS PTE., LTD.

TEL: 6748-2277 FAX: 6744-0033

<http://www.hakko.com.sg>

E-mail: [sales@hakko.com.sg](mailto:sales@hakko.com.sg)

Please access to the following address for the other Sales affiliates.

<http://www.hakko.com/address>