



LANGE

DOC022.98.80451

Pocket Colorimeter II

04/2014, Edition 1

Basic User Manual
Basis-Bedienungsanleitung
Manuale di base per l'utente
Manuel d'utilisation de base
Manual básico del usuario
Manual básico do utilizador
Základní návod k použití
Grundlæggende brugerhåndbog
Basisgebruikershandleiding
Podstawowa instrukcja obsługi
Grundläggande bruksanvisning
Peruskäyttöohje
Основно ръководство за потребителя
Alapvető felhasználói útmutató
Manual de utilizare de bază
Начальное руководство пользователя
Temel Kullanım Kılavuzu
Základný návod na použitie
Osnovni uporabniški priročnik
Osnovni korisnički priručnik
Βασικό εγχειρίδιο λειτουργίας

English	3
Deutsch	20
Italiano	39
Français	57
Español	74
Português	92
Čeština	111
Dansk	128
Nederlands	145
Polski	163
Svenska	180
Suomi	197
български	214
Magyar	233
Română	250
Русский	268
Türkçe	287
Slovenský jazyk	304
Slovenski	321
Hrvatski	338
Ελληνικά	355

Table of contents

[Specifications](#) on page 3

[General information](#) on page 4

[Startup](#) on page 7

[User interface and navigation](#)
on page 9

[Operation](#) on page 11

[Maintenance](#) on page 16

[Troubleshooting](#) on page 17

[Replacement parts](#) on page 18

Additional information

Additional information is available on the manufacturer's website.

Specifications

Specifications are subject to change without notice.

Specification	Details
Dimensions (W x D x H)	6.1 x 3.2 x 15.2 cm (2.4 x 1.25 x 6 in.)
Enclosure	IP67, waterproof at 1 m (3.3 ft) for 30 minutes (battery compartment not included). Keep out of direct sunlight.
Light source	Light emitting diode (LED)
Detector	Silicon photodiode
Display	LCD with backlight
Weight	0.2 kg (0.43 lb)
Pollution degree	2
Installation category	I
Protection class	3
Power requirements	4 AAA batteries; approximate life of 2000 tests (use of backlight decreases this number) Rechargeable batteries are not recommended.
Operating environment	0 to 50 °C (32 to 122 °F), 0 to 90% relative humidity non-condensing
Storage temperature	-20 to 55 °C (-7.6 to 131 °F)
Photometric precision	± 0.0015 Abs
Wavelength	Fixed wavelength ±2 nm, different for each model

Specification	Details
Filter bandwidth	15 nm
Absorbance range	0 to 2.5 Abs
Sample cell path length	1 cm (5–10 mL), 25 mm (10 mL)
Data storage	Last 10 measurements
Certifications	CE mark
Warranty	2 years

General information

In no event will the manufacturer be liable for direct, indirect, special, incidental or consequential damages resulting from any defect or omission in this manual. The manufacturer reserves the right to make changes in this manual and the products it describes at any time, without notice or obligation. Revised editions are found on the manufacturer's website.

Safety information

NOTICE

The manufacturer is not responsible for any damages due to misapplication or misuse of this product including, without limitation, direct, incidental and consequential damages, and disclaims such damages to the full extent permitted under applicable law. The user is solely responsible to identify critical application risks and install appropriate mechanisms to protect processes during a possible equipment malfunction.

Please read this entire manual before unpacking, setting up or operating this equipment. Pay attention to all danger and caution statements. Failure to do so could result in serious injury to the operator or damage to the equipment.

Make sure that the protection provided by this equipment is not impaired. Do not use or install this equipment in any manner other than that specified in this manual.

Use of hazard information

▲ DANGER

Indicates a potentially or imminently hazardous situation which, if not avoided, will result in death or serious injury.

▲ WARNING

Indicates a potentially or imminently hazardous situation which, if not avoided, could result in death or serious injury.

▲ CAUTION



Indicates a potentially hazardous situation that may result in minor or moderate injury.

NOTICE

Indicates a situation which, if not avoided, may cause damage to the instrument. Information that requires special emphasis.

Precautionary labels

Read all labels and tags attached to the instrument. Personal injury or damage to the instrument could occur if not observed. A symbol on the instrument is referenced in the manual with a precautionary statement.

	This symbol, if noted on the instrument, references the instruction manual for operation and/or safety information.
	Electrical equipment marked with this symbol may not be disposed of in European domestic or public disposal systems. Return old or end-of-life equipment to the manufacturer for disposal at no charge to the user.

Certification

Canadian Radio Interference-Causing Equipment Regulation, IECs-003, Class A:

Supporting test records reside with the manufacturer.

This Class A digital apparatus meets all requirements of the Canadian Interference-Causing Equipment Regulations.

Cet appareil numérique de classe A répond à toutes les exigences de la réglementation canadienne sur les équipements provoquant des interférences.

FCC Part 15, Class "A" Limits

Supporting test records reside with the manufacturer. The device complies with Part 15 of the FCC Rules. Operation is subject to the following conditions:

1. The equipment may not cause harmful interference.
2. The equipment must accept any interference received, including interference that may cause undesired operation.

Changes or modifications to this equipment not expressly approved by the party responsible for compliance could void the user's authority to operate the equipment. This equipment has been tested and found to comply with the limits for a Class A digital device, pursuant to Part 15 of the FCC rules. These limits are designed to provide reasonable protection against harmful interference when the equipment is operated in a commercial environment. This equipment generates, uses and can radiate radio frequency energy and, if not installed and used in accordance with the instruction manual, may cause harmful interference to radio communications. Operation of this equipment in a residential area is likely to cause harmful interference, in which case the user will be required to correct the interference at their expense. The following techniques can be used to reduce interference problems:

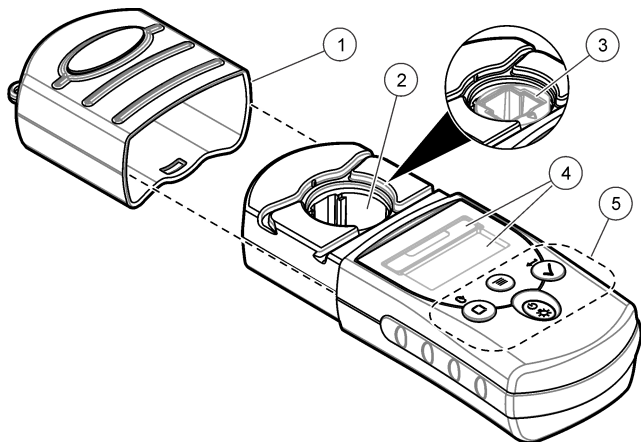
1. Move the equipment away from the device receiving the interference.
2. Reposition the receiving antenna for the device receiving the interference.
3. Try combinations of the above.

Product overview

This instrument is a portable filter photometer used for testing water. Refer to [Figure 1](#). This instrument is configured at the factory to measure one or two specific parameters. This instrument is calibrated at the factory. No user calibration is necessary.

Note: *This instrument has not been evaluated to measure chlorine and chloramines in medical applications in the United States.*

Figure 1 Instrument overview



1 Instrument cap	3 Cell holder with 1-cm cell adapter ¹	5 Keypad
2 Cell holder	4 Display	

¹ Factory installed in some models

Startup

Install the batteries

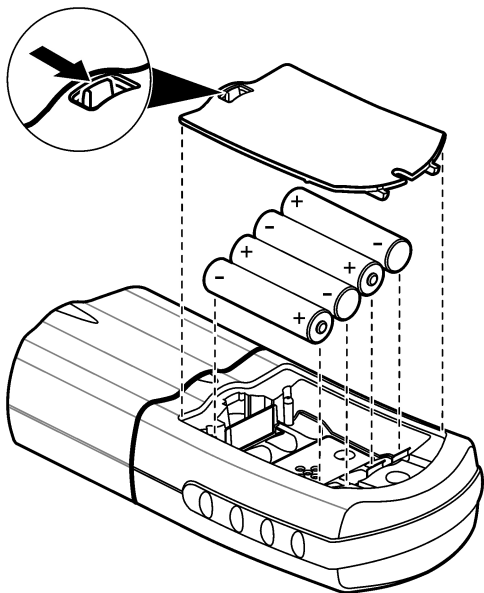
▲ WARNING



Explosion hazard. Incorrect battery installation can cause the release of explosive gases. Be sure that the batteries are of the same approved chemical type and are inserted in the correct orientation. Do not mix new and used batteries.

Install the batteries as shown in [Figure 2](#).

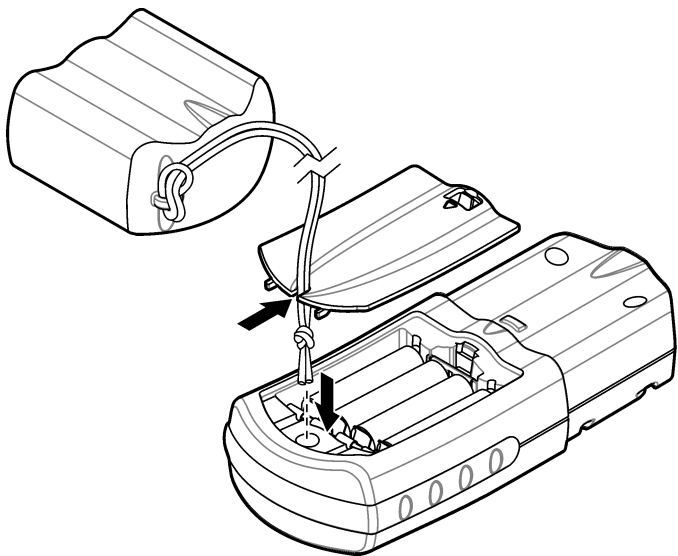
Figure 2 Install the batteries



Install the cap cord

Attach the cap cord to prevent loss of the instrument cap. Refer to [Figure 3](#).

Figure 3 Install the cap cord

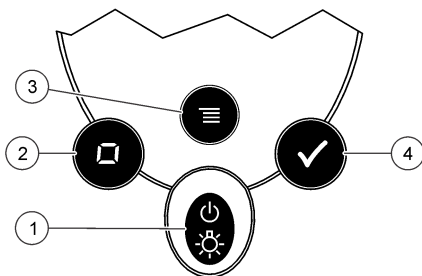


User interface and navigation

Keypad description

[Figure 4](#) shows the keypad and gives the key functions.

Figure 4 Keypad



1 Power/Backlight key: Sets the power to on and off. Push and hold for 1 second to set the backlight to on or off.	3 Menu key: Enters and goes out of menu mode.
2 Zero/Scroll key: Sets the instrument to zero, scrolls through menu options and numbers	4 Read/Enter key: Starts a sample measurement, selects a menu option, moves the cursor to the next digit

Display description

Figure 5 shows the values and icons shown on the display.




Figure 5 Display



1 Numeric display: Measured value or menu options	4 Menu icon: The instrument is in menu mode.
2 Range icon: Selected range or parameter	5 Calibration adjusted icon: The factory default calibration was adjusted or a user-entered calibration curve was entered. Refer to the expanded user manual on the manufacturer's website.
3 Range value: Range(s) or parameters	6 Low battery icon: Battery level is 10%. Flashes when the battery level is too low to complete measurements.





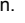
Operation

Configure the instrument


1. Push .
2. Push  to scroll through the menu options. Push  to select an option.

Option	Description
SEL	Sets the measurement range or parameter. Push  to toggle between the measurement ranges or parameters.
00:00	Sets the time in 24-hour format (hh:mm). Push  to change the time. Push  to change the first digit, then  to go to the next digit.

Option Description

rCL Shows the last 10 measurements recorded. Push  to show the recorded measurements (01—most recent measurement, 10—oldest measurement). Push  to scroll through the measurements. To select a measurement by number, push  to select the number and then . Push  to go out of this option.

SCA Refer to the expanded user manual on the manufacturer's website.

3. Push  to go back to measurement mode.

Run a test


WARNING



Chemical exposure hazard. Obey laboratory safety procedures and wear all of the personal protective equipment appropriate to the chemicals that are handled. Refer to the current safety data sheets (MSDS/SDS) for safety protocols.



The basic measurement steps necessary to run a test follow. Refer to the applicable method to run a specific test.

1. Select the applicable measurement range or parameter. Refer to [Configure the instrument](#) on page 11.
2. Prepare the blank according to the method document. Make sure to use the correct sample cell size. Rinse the sample cell and cap with the blank before the sample cell is filled.
3. Close the sample cell and clean the optical faces of the sample cell with a lint-free cloth.
4. Insert the blank sample cell into the cell holder. Make sure to install the blank sample cell in the correct and consistent orientation so that the results are more repeatable and precise. Refer to [Figure 6](#).
5. Install the instrument cap over the cell holder. Refer to [Figure 7](#).
6. Push  to set the instrument zero. The display shows "0.000", or the degree of resolution that was previously selected.
7. Prepare the sample. Rinse the sample cell and cap with the sample three times before the sample cell is filled. Add reagents as specified by the method document.


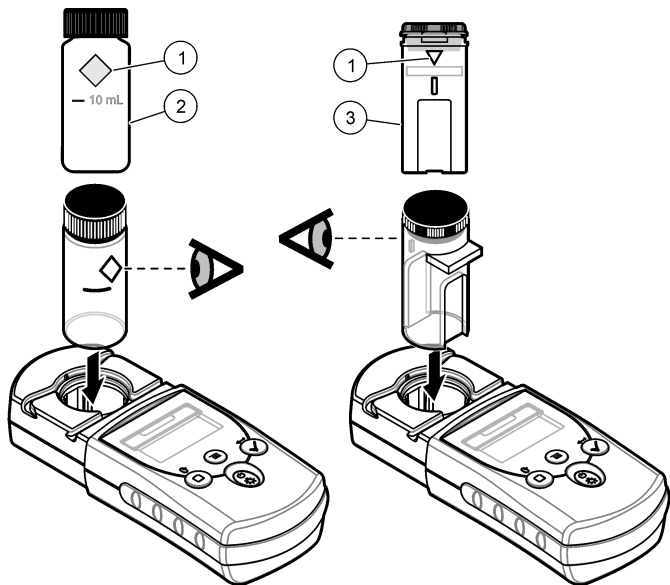
8. Close the sample cell and clean the optical surfaces of the cell with a lint-free cloth.
9. Insert the sample into the cell holder. Make sure to install the sample cell in the correct and consistent orientation so that the results are more repeatable and precise. Refer to [Figure 6](#).
10. Install the instrument cap over the cell holder. Refer to [Figure 7](#).
11. Push . The display shows the results in concentration units or absorbance.
Note: The result flashes if the result is less or more than the instrument range.
12. Remove the prepared sample from the cell holder.
13. Immediately empty and rinse the sample cell. Rinse the sample cell and cap three times with deionized water.

Figure 6 Sample cell orientation

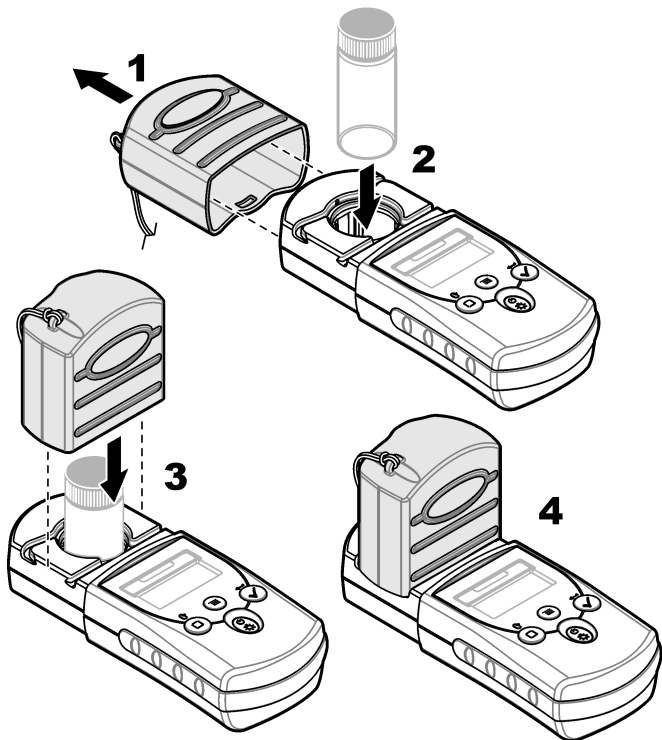


1 Orientation mark

2 Sample cell, 25-mm
(10 mL)

3 Sample cell, 1-cm
(10 mL)

Figure 7 Install the instrument cap over the cell holder



Show the recorded measurements

Refer to the "rCL" option in [Configure the instrument](#) on page 11.

Maintenance

⚠ CAUTION



Multiple hazards. Only qualified personnel must conduct the tasks described in this section of the document.

NOTICE

Do not disassemble the instrument for maintenance. If the internal components must be cleaned or repaired, contact the manufacturer.

Clean the instrument

Clean the exterior of the instrument with a moist cloth and a mild soap solution and then wipe the instrument dry.

Clean the sample cells

⚠ CAUTION



Chemical exposure hazard. Obey laboratory safety procedures and wear all of the personal protective equipment appropriate to the chemicals that are handled. Refer to the current safety data sheets (MSDS/SDS) for safety protocols.



⚠ CAUTION



Chemical exposure hazard. Dispose of chemicals and wastes in accordance with local, regional and national regulations.

Most laboratory detergents are used at recommended concentrations. Neutral detergents, such as Liquinox, are safer to use when regular cleaning is necessary. To decrease the cleaning times, increase the temperature or use an ultrasonic bath. To complete the cleaning, rinse a few times with deionized water and then let the sample cell air dry. Sample cells may also be cleaned with acid, followed by a thorough rinse with deionized water.


Note: Always use acid to clean sample cells that were used for low-level metal tests.

Special cleaning methods are necessary for individual procedures. When a brush is used to clean sample cells, take extra care to avoid scratches on the interior surfaces of the sample cells.

Replace the batteries

Replace the batteries when the battery power level is low. Refer to [Install the batteries](#) on page 7.

Troubleshooting

Error	Description	Solution
E-0	No zero	In user calibration mode, a standard solution was measured before the instrument zero was set. Measure a blank solution to set the instrument to zero.
E-1	Ambient light error ¹	There is ambient light in the cell holder. Make sure that the instrument cap is fully installed over the cell holder.
E-2	LED error ¹	The LED (light source) is out of regulation. Replace the batteries. Make sure that the LED in the cell holder comes on when ✓ or  is pushed.
E-3	Standard adjust error	<ul style="list-style-type: none"> • The measured value of the standard solution is more than the adjustment limits. Prepare a fresh standard. • The standard solution is not within the concentration range that can be used for standard calibration adjust. Prepare a standard with a value at or near the recommended concentrations given in the procedure. • Make sure that the concentration of the standard solution is entered correctly.
E-6	Abs error	The absorbance value is not correct or the user-entered calibration curve has fewer than two points. Enter or measure the absorbance value again.

Error	Description	Solution
E-7	Standard value error	The standard solution concentration is equal to another standard solution concentration that is already entered in the user-entered calibration curve. Enter the correct standard concentration.
E-9	Flash error	The instrument is not able to save data.
Reading flashes	The reading is more or less than the instrument range. ²	If the reading is less than the instrument range, make sure that the instrument cap is fully installed over the cell holder. Measure a blank. If the blank reading is not zero, set the instrument to zero again.
		If the reading is more than the instrument range, identify if there is a light blockage in the cell holder. Dilute the sample. Do the test again.
		For factory-calibrated programs, the maximum and minimum values always equal the factory-calibrated values and cannot be changed.

- ¹ When an E-1 or E-2 error occurs on a measurement, the display shows “_._.”. The decimal place depends on the chemistry. If the E-1 or E-2 error occurs while the instrument is set to zero, set the instrument to zero again.
- ² The flashing value will be 10% over the upper test range limit.

Replacement parts

⚠ WARNING



Personal injury hazard. Use of non-approved parts may cause personal injury, damage to the instrument or equipment malfunction. The replacement parts in this section are approved by the manufacturer.

Note: Product and Article numbers may vary for some selling regions. Contact the appropriate distributor or refer to the company website for contact information.

Replacement parts

Description	Quantity	Item no.
AAA batteries, alkaline	4/pkg	4674300
Cap cord	1	5955900
Instrument cap	1	5954800
Sample cell, 25 mm (10 mL), with caps	6/pkg	2427606
Sample cell, 1 cm (10 mL), with caps	2/pkg	4864302

Inhaltsverzeichnis

[Technische Daten](#) auf Seite 20

[Betrieb](#) auf Seite 29

[Allgemeine Informationen](#)
auf Seite 21

[Wartung](#) auf Seite 34

[Inbetriebnahme](#) auf Seite 25

[Fehlerbehebung](#) auf Seite 35

[Benutzerschnittstelle und Navigation](#)
auf Seite 27

[Ersatzteile](#) auf Seite 37

Zusätzliche Informationen

Zusätzliche Informationen finden Sie auf der Website des Herstellers.

Technische Daten

Änderungen vorbehalten.

Technische Daten	Details
Abmessungen (B x T x H)	6,1 x 3,2 x 15,2 cm (2,4 x 1,25 x 6 Zoll)
Gehäuse	IP67, bei 1 m (3,3 Fuß) Tiefe für 30 Minuten wasserdicht (außer Batteriefach). Aus direktem Sonnenlicht fernhalten.
Lichtquelle	Leuchtdiode (LED)
Detektor	Silizium-Photodiode
Display	LCD mit Hintergrundbeleuchtung
Gewicht	0,2 kg (0,43 Pfund)
Verschmutzungsgrad	2
Einbaukategorie	I
Schutzklasse	3
Stromversorgung	AAA-Batterien; ungefähre Lebensdauer 2000 Tests (weniger bei Verwendung der Hintergrundbeleuchtung) Wiederaufladbare Batterien werden nicht empfohlen.
Betriebsumgebungstemperatur	0 bis 50 °C (32 bis 122 °F); 0 bis 90 % relative Luftfeuchtigkeit, nicht kondensierend

Technische Daten	Details
Lagerungstemperatur	-20 bis 55 °C (-7,6 bis 131 °F)
Photometrische Präzision	±0,0015 Abs
Wellenlänge	Feste Wellenlänge ±2 nm, je nach Modell unterschiedlich
Filterbandbreite	15 nm
Absorbanzbereich	0 bis 2,5 Abs
Küvettschichtdicke	1 cm (5 – 10 ml), 25 mm (10 ml)
Datenspeicher	Letzte 10 Messungen
Zertifizierungen	CE-Zeichen
Garantie	2 Jahre

Allgemeine Informationen

Der Hersteller ist nicht verantwortlich für direkte, indirekte, versehentliche oder Folgeschäden, die aus Fehlern oder Unterlassungen in diesem Handbuch entstanden. Der Hersteller behält sich jederzeit und ohne vorherige Ankündigung oder Verpflichtung das Recht auf Verbesserungen an diesem Handbuch und den hierin beschriebenen Produkten vor. Überarbeitete Ausgaben der Bedienungsanleitung sind auf der Hersteller-Webseite erhältlich.

Sicherheitshinweise

HINWEIS

Der Hersteller ist nicht für Schäden verantwortlich, die durch Fehlanwendung oder Missbrauch dieses Produkts entstehen, einschließlich, aber ohne Beschränkung auf direkte, zufällige oder Folgeschäden, und lehnt jegliche Haftung im gesetzlich zulässigen Umfang ab. Der Benutzer ist selbst dafür verantwortlich, schwerwiegende Anwendungsrisiken zu erkennen und erforderliche Maßnahmen durchzuführen, um die Prozesse im Fall von möglichen Gerätefehlern zu schützen.

Bitte lesen Sie dieses Handbuch komplett durch, bevor Sie dieses Gerät auspacken, aufstellen oder bedienen. Beachten Sie alle Gefahren- und Warnhinweise. Nichtbeachtung kann zu schweren Verletzungen des Bedieners oder Schäden am Gerät führen.

Stellen Sie sicher, dass die durch dieses Messgerät bereitgestellte Sicherheit nicht beeinträchtigt wird. Verwenden bzw. installieren Sie das Messsystem nur wie in diesem Handbuch beschrieben.

Bedeutung von Gefahrenhinweisen

GEFAHR

Kennzeichnet eine mögliche oder drohende Gefahrensituation, die, wenn sie nicht vermieden wird, zum Tod oder zu schweren Verletzungen führt.

WARNUNG

Kennzeichnet eine mögliche oder drohende Gefahrensituation, die, wenn sie nicht vermieden wird, zum Tod oder zu schweren Verletzungen führen kann.

VORSICHT



Kennzeichnet eine mögliche Gefahrensituation, die zu geringeren oder moderaten Verletzungen führen kann.

HINWEIS

Kennzeichnet eine Situation, die, wenn sie nicht vermieden wird, das Gerät beschädigen kann. Informationen, die besonders beachtet werden müssen.

Warnhinweise

Lesen Sie alle am Gerät angebrachten Aufkleber und Hinweise. Nichtbeachtung kann Verletzungen oder Beschädigungen des Geräts zur Folge haben. Im Handbuch werden auf die am Gerät angebrachten Symbole in Form von Warnhinweisen verwiesen.

	Dieses Symbol am Gerät weist auf Betriebs- und/oder Sicherheitsinformationen im Handbuch hin.
	Elektrogeräte, die mit diesem Symbol gekennzeichnet sind, dürfen nicht im normalen öffentlichen Abfallsystem entsorgt werden. Senden Sie Altgeräte an den Hersteller zurück. Dieser entsorgt die Geräte ohne Kosten für den Benutzer.

Zertifizierung

Kanadische Vorschriften zu Störungen verursachenden Einrichtungen, IECS-003, Klasse A:

Entsprechende Prüfprotokolle hält der Hersteller bereit.

Dieses digitale Gerät der Klasse A erfüllt alle Vorgaben der kanadischen Normen für Interferenz verursachende Geräte.

Cet appareil numérique de classe A répond à toutes les exigences de la réglementation canadienne sur les équipements provoquant des interférences.

FCC Teil 15, Beschränkungen der Klasse "A"

Entsprechende Prüfprotokolle hält der Hersteller bereit. Das Gerät entspricht Teil 15 der FCC-Vorschriften. Der Betrieb unterliegt den folgenden Bedingungen:

1. Das Gerät darf keine Störungen verursachen.
2. Das Gerät muss jegliche Störung, die es erhält, einschließlich jener Störungen, die zu unerwünschtem Betrieb führen, annehmen.

Änderungen oder Modifizierungen an diesem Gerät, die nicht ausdrücklich durch die für die Einhaltung der Standards verantwortliche Stelle bestätigt wurden, können zur Aufhebung der Nutzungsberechtigung für dieses Gerät führen. Dieses Gerät wurde geprüft, und es wurde festgestellt, dass es die Grenzwerte für digitale Geräte der Klasse A entsprechend Teil 15 der FCC-Vorschriften einhält. Diese Grenzwerte sollen einen angemessenen Schutz gegen gesundheitsschädliche Störungen gewährleisten, wenn dieses Gerät in einer gewerblichen Umgebung betrieben wird. Dieses Gerät erzeugt und nutzt hochfrequente Energie und kann diese auch abstrahlen, und es kann, wenn es nicht in Übereinstimmung mit der Bedienungsanleitung installiert und eingesetzt wird, schädliche Störungen der Funkkommunikation verursachen. Der Betrieb dieses Geräts in Wohngebieten kann schädliche Störungen verursachen. In diesem Fall muss der Benutzer die Störungen auf eigene Kosten beseitigen. Probleme mit Interferenzen lassen sich durch folgende Methoden mindern:

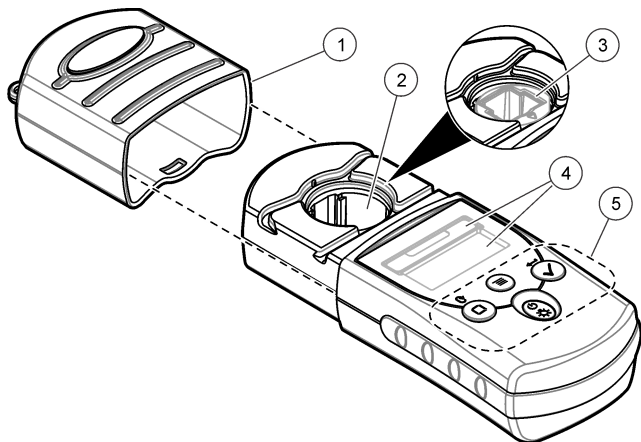
1. Vergrößern Sie den Abstand zwischen diesem Gerät und dem gestörten Gerät.
2. Ändern Sie die Position der Empfangsantenne des gestörten Geräts.
3. Versuchen Sie auch, die beschriebenen Maßnahmen miteinander zu kombinieren.

Produktübersicht

Bei diesem Gerät handelt es sich um ein portables Filterphotometer für die Analyse von Wasser. Siehe [Abbildung 8](#). Das Gerät wird werkseitig zur Messung von einem oder zwei spezifischen Parametern konfiguriert. Dieses Gerät wird werkseitig kalibriert. Eine Kalibrierung durch den Benutzer ist nicht erforderlich.

Hinweis: Die Messung von Chlor und Chloraminen mit diesem Gerät im Rahmen medizinischer Anwendungen in den USA wurde nicht getestet.

Abbildung 8 Geräteübersicht



1 Geräteabdeckkappe	3 Küvettenhalter mit 1-cm-Küvetten-Adapter ¹	5 Tastatur
2 Küvettenhalter	4 Display	

¹ Bei einigen Modellen werkseitig installiert

Inbetriebnahme

Batterien einlegen

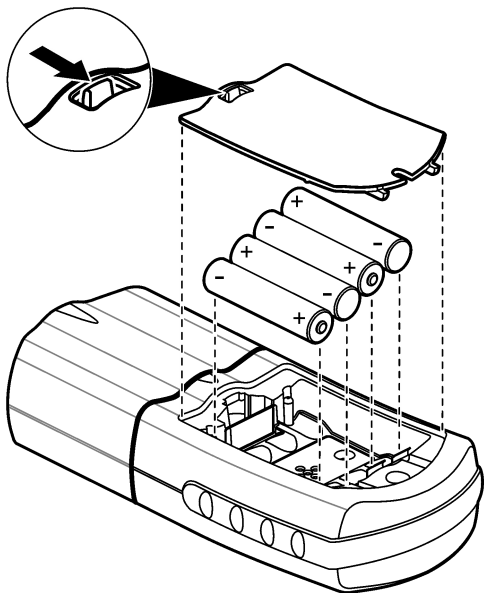
▲ WARNUNG



Explosionsgefahr. Das unsachgemäße Einlegen von Batterien kann zur Freisetzung explosiver Gase führen. Vergewissern Sie sich, dass Sie Batterien mit dem zulässigen Chemikaliertyp verwenden und dass sie mit der korrekten Polung eingelegt wurden. Verwenden Sie nicht alte und neue Batterien zusammen.

Legen Sie die Batterien wie in [Abbildung 9](#) angegeben ein.

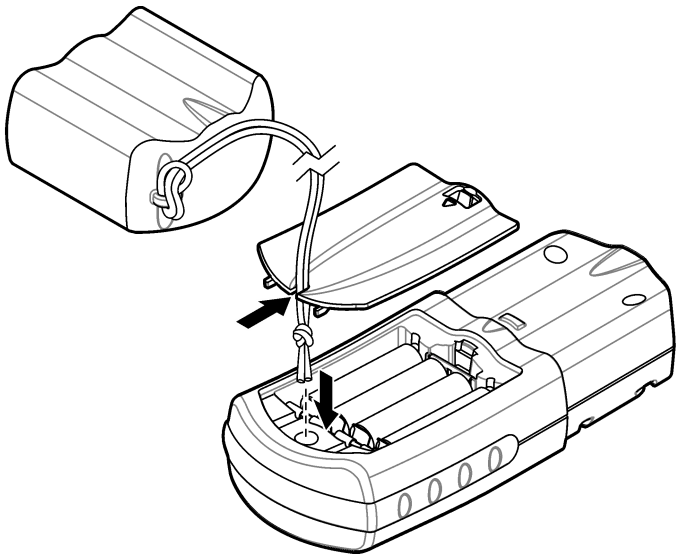
Abbildung 9 Batterien einlegen.



Befestigung des Abdeckkappenkabels

Befestigen Sie das Abdeckkappenkabel, damit die Geräteabdeckkappe nicht verloren geht. Siehe [Abbildung 10](#).

Abbildung 10 Befestigung des Abdeckkappenkabels

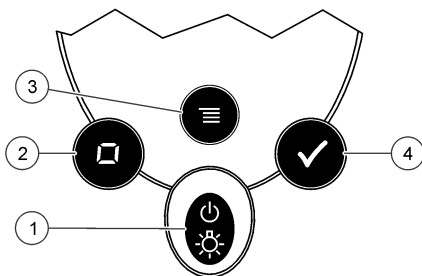


Benutzerschnittstelle und Navigation

Beschreibung des Tastenfelds

[Abbildung 11](#) zeigt das Tastenfeld und gibt die Tastenfunktionen an.

Abbildung 11 Tastatur



1 Ein-/Aus- und Hintergrundbeleuchtungstaste: Schaltet das Gerät ein und aus. Halten Sie die Taste für 1 Sekunde gedrückt, um die Hintergrundbeleuchtung ein- bzw. auszuschalten.	3 Menütaste: Aktiviert bzw. deaktiviert den Menümodus.
2 Null-/Navigationstaste: Stellt den Nullpunkt auf dem Gerät ein, navigiert durch Menüoptionen und Nummern.	4 Mess-/Eingabetaste: Startet eine Probenmessung, wählt eine Menüoption aus, bewegt den Cursor zur nächsten Ziffer.

Displaybeschreibung

[Abbildung 12](#) enthält die auf dem Display angezeigten Werte und Symbole.

Abbildung 12 Display



1 Numerische Anzeige: Messwerte oder Menüoptionen	4 Menüsymbol: Das Messgerät befindet sich im Menümodus.
2 Bereichssymbol: Ausgewählter Bereich oder Parameter	5 Symbol für angepasste Kalibrierung: Die werkseitige Kalibrierung wurde angepasst, oder es wurde eine benutzerdefinierte Kalibrierkurve eingegeben. Lesen Sie die ausführliche Bedienungsanleitung auf der Website des Herstellers.
3 Bereichswert: Bereich(e) oder Parameter	6 Symbol für niedrigen Batterieladestand: Der Batterieladestand beträgt 10 %. Blinkt, wenn der Batterieladestand zu niedrig für Messungen ist.

Betrieb

Konfiguration des Geräts

1. Drücken Sie ☰.
2. Drücken Sie ⏪, um durch die Menüoptionen zu blättern. Drücken Sie ✓, um eine Option auszuwählen.

Optionen Beschreibung

SEL Stellt den Messbereich oder Parameter ein. Drücken Sie ✓, um zwischen den Messbereichen oder Parametern zu wechseln.

Optionen Beschreibung

- 00:00** Stellt die Zeit im 24-Stunden-Format ein (hh:mm). Drücken Sie ✓, um die Zeit zu ändern. Drücken Sie □, um die erste Ziffer zu ändern, und anschließend ✓, um zur nächsten Ziffer zu blättern.
- rCL** Zeigt die letzten 10 erfassten Messungen an. Drücken Sie ✓, um die erfassten Messungen anzuzeigen (01: neueste Messung, 10: älteste Messung). Drücken Sie ✓, um durch die Messungen zu blättern. Um eine Messung nach ihrer Nummer auszuwählen, drücken Sie □, um die Nummer auszuwählen, und anschließend ✓. Drücken Sie ≡, um diese Option zu verlassen.
- SCA** Siehe die ausführliche Bedienungsanleitung auf der Website des Herstellers.

3. Drücken Sie ≡, um zum Messmodus zurückzukehren.

Durchführen von Tests

▲ WARNUNG



Gefahr von Kontakt mit Chemikalien. Halten Sie sich an die Sicherheitsmaßnahmen im Labor, und tragen Sie Schutzkleidung entsprechend den Chemikalien, mit denen Sie arbeiten. Beachten Sie die Sicherheitsprotokolle in den aktuellen Material Sicherheitsdatenblättern (MSDS/SDB).



Nachfolgend finden Sie die grundlegenden Messschritte zum Durchführen von Tests. Informationen zum Ausführen eines bestimmten Tests finden Sie bei der entsprechenden Methode.

1. Wählen Sie den jeweils geeigneten Messbereich oder Parameter. Siehe [Konfiguration des Geräts](#) auf Seite 29.
2. Bereiten Sie die Blindwertmessung vor wie im Methodendokument angegeben. Verwenden Sie die richtige Küvettengröße. Spülen Sie die Küvette und Kappe mit Blindlösung, bevor Sie die Küvette füllen.
3. Schließen Sie die Küvette und reinigen Sie die optischen Flächen der Küvette mit einem fusselfreien Tuch.
4. Setzen Sie die Küvette mit der Blindlösung in den Küvettenhalter ein. Achten Sie darauf, die Blindküvette immer korrekt und in der

gleichen Ausrichtung einzusetzen, um genaue und reproduzierbare Ergebnisse zu erhalten. Siehe [Abbildung 13](#).



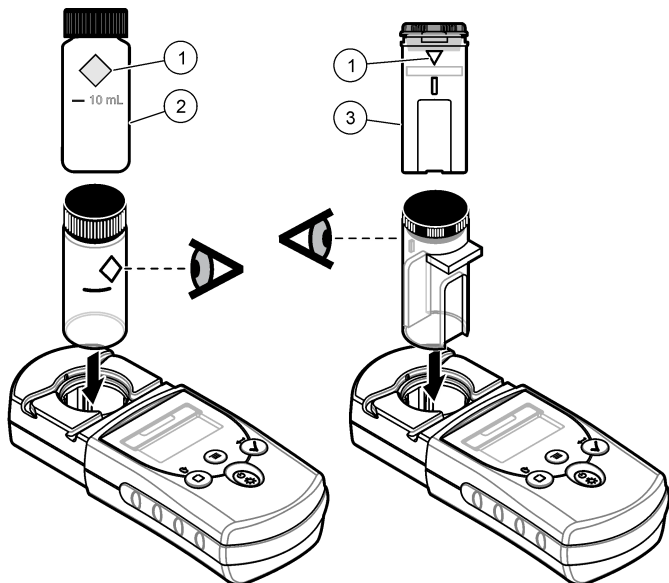
5. Bringen Sie die Geräteabdeckkappe über dem Küvettenhalter an. Siehe [Abbildung 14](#).
6. Drücken Sie , um den Nullwert auf dem Gerät einzustellen. Auf dem Display wird „0.000“ (0,000) oder der zuvor gewählte Auflösungsgrad angezeigt.
7. Vorbereiten der Probe. Spülen Sie die Küvette und Kappe drei Mal mit der Probenlösung, bevor Sie die Küvette füllen. Geben Sie die Reagenzien zu wie im Methodendokument angegeben.
8. Schließen Sie die Küvette, und reinigen Sie die optischen Flächen der Küvette mit einem fusselfreien Tuch.
9. Setzen Sie die Probenküvette in den Küvettenhalter ein. Achten Sie darauf, die Probenküvette immer korrekt und in der gleichen Ausrichtung einzusetzen, um genaue und reproduzierbare Ergebnisse zu erhalten. Siehe [Abbildung 13](#).
10. Bringen Sie die Geräteabdeckkappe über dem Küvettenhalter an. Siehe [Abbildung 14](#).
11. Drücken Sie . Auf dem Display werden die Ergebnisse in Konzentrationseinheiten oder Absorbanz angezeigt.
***Hinweis:** Das Ergebnis blinkt, wenn das Ergebnis unter oder über dem zulässigen Bereich des Geräts liegt.*
12. Entnehmen Sie die vorbereitete Probenküvette aus dem Küvettenhalter.
13. Leeren und spülen Sie die Küvette unmittelbar. Spülen Sie die Küvette und Kappe drei Mal mit entionisiertem Wasser.

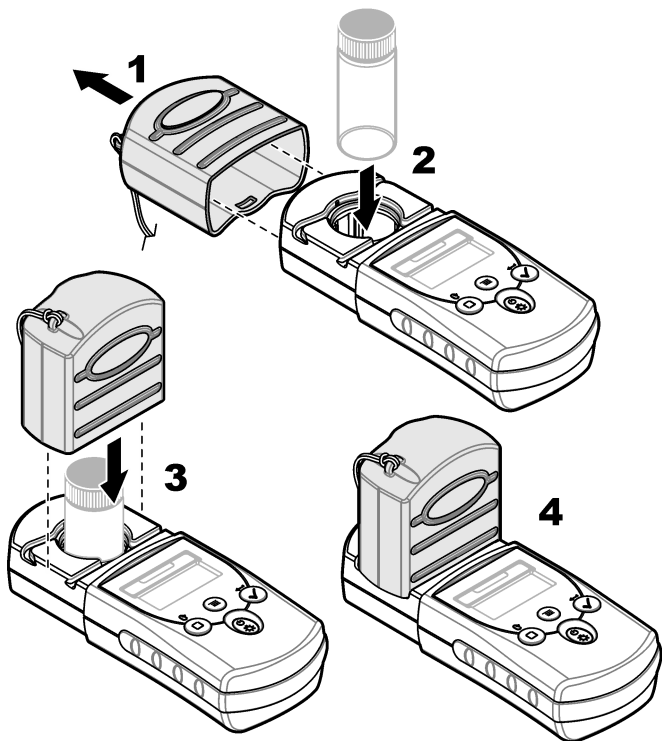
Abbildung 13 Küvettenausrichtung



1 Ausrichtungsmarkierung 2 Küvette, 25 mm (10 ml)

3 Küvette, 1 cm (10 ml)

Abbildung 14 Anbringen der Geräteabdeckkappe über dem Küvettenhalter



Anzeige der erfassten Messwerte

Siehe Option „rCL“ unter [Konfiguration des Geräts](#) auf Seite 29.

Wartung

▲ VORSICHT



Mehrere Gefahren. Nur qualifiziertes Personal sollte die in diesem Kapitel des Dokuments beschriebenen Aufgaben durchführen.

HINWEIS

Nehmen Sie das Gerät nicht zur Wartung auseinander. Falls eine Reinigung oder Instandsetzung von externen Bauteilen erforderlich ist, wenden Sie sich an den Hersteller.

Reinigen der Küvetten

▲ VORSICHT



Gefahr von Kontakt mit Chemikalien. Halten Sie sich an die Sicherheitsmaßnahmen im Labor, und tragen Sie Schutzkleidung entsprechend den Chemikalien, mit denen Sie arbeiten. Beachten Sie die Sicherheitsprotokolle in den aktuellen Material Sicherheitsdatenblättern (MSDS/SDB).



▲ VORSICHT



Gefahr von Kontakt mit Chemikalien. Entsorgen Sie Chemikalien und Abfälle gemäß lokalen, regionalen und nationalen Vorschriften.

Die meisten Laborreinigungsmittel werden mit den empfohlenen Konzentrationen verwendet. Neutrale Reinigungsmittel wie Liquinox sind sicherer in der Anwendung, wenn eine regelmäßige Reinigung erforderlich ist. Um kürzere Reinigungszeiten zu erhalten, können Sie die Temperatur erhöhen oder ein Ultraschallbad verwenden. Spülen Sie die Küvetten zum Abschluss der Reinigung mehrmals mit entionisiertem Wasser und lassen Sie sie anschließend an der Luft trocknen.

Küvetten können auch mit Säure gereinigt werden und müssen dann gründlich mit entionisiertem Wasser gespült werden.


Hinweis: Reinigen Sie Küvetten, die für Metalltests mit niedrigen Konzentrationen verwendet wurden, immer mit Säure.

Für individuelle Verfahren sind spezielle Reinigungsmethoden erforderlich. Wenn die Küvetten mit einer Bürste gereinigt werden, achten Sie darauf, die Innenseiten der Küvetten nicht zu verkratzen.

Auswechseln der Batterien

Wechseln Sie die Batterien aus, wenn der Batterieladestand niedrig ist. Siehe [Batterien einlegen](#) auf Seite 25.

Fehlerbehebung

Fehler	Beschreibung	Lösung
E-0	Kein Nullwert	Im Benutzerkalibriermodus wurde eine Standardlösung gemessen, bevor auf dem Gerät eine Nullstellung durchgeführt wurde. Messen Sie eine Blindlösung, um das Gerät auf Null zu stellen.
E-1	Umgebungslichtfehler ¹	Umgebungslicht gelangt in den Küvettenhalter. Stellen Sie sicher, dass die Geräteabdeckkappe ordnungsgemäß über dem Küvettenhalter angebracht wurde.
E-2	LED-Fehler ¹	Die LED (Lichtquelle) funktioniert nicht ordnungsgemäß. Auswechseln der Batterien. Stellen Sie sicher, dass die LED im Küvettenhalter tatsächlich leuchtet, wenn Sie ✓ oder  drücken.

Fehler	Beschreibung	Lösung
E-3	Standardanpassungsfehler	<ul style="list-style-type: none"> • Der Messwert der Standardlösung liegt außerhalb der zulässigen Grenzwerte. Bereiten Sie einen neuen Standard vor. • Die Standardlösung befindet sich nicht in dem für die Standardkalibrierung zulässigen Konzentrationsbereich. Bereiten Sie eine Standardlösung vor, deren Wert innerhalb oder nahe der für das Verfahren empfohlenen Konzentrationen liegt. • Stellen Sie sicher, dass die Konzentration der Standardlösung richtig eingegeben wird.
E-6	Abs-Fehler	Der Absorbanzwert ist falsch oder die benutzerdefinierte Kalibrierkurve verfügt über weniger als zwei Punkte. Geben Sie den Absorbanzwert erneut ein bzw. messen Sie ihn erneut.
E-7	Standardwertefehler	Die Konzentration der Standardlösung ist gleich der Konzentration einer anderen Standardlösung, die bereits für die benutzerdefinierte Kalibrierkurve eingegeben wurde. Geben Sie die richtige Standardkonzentration ein.
E-9	Speicherfehler	Das Messgerät kann keine Daten speichern.

Fehler	Beschreibung	Lösung
Messwert blinkt	Der Messwert liegt außerhalb des zulässigen Bereichs des Geräts. ²	Wenn der Messwert unter dem Bereich des Geräts liegt, stellen Sie sicher, dass die Geräteabdeckkappe ordnungsgemäß über dem Küvettenhalter angebracht ist. Messen Sie eine Blindlösung. Wenn der Messwert der Blindlösung nicht Null ist, führen Sie erneut eine Nullstellung auf dem Gerät durch.
		Wenn der Messwert über dem Bereich des Geräts liegt, prüfen Sie, ob Licht im Küvettenhalter blockiert wird. Verdünnen Sie die Probe. Führen Sie den Test erneut durch.
		Bei werkseitig kalibrierten Programmen sind die oberen und unteren Grenzwerte immer die werkseitig kalibrierten Werte und können nicht geändert werden.

- 1 Wenn ein E-1- oder E-2-Fehler bei einer Messung auftritt, wird auf dem Display „_._“ angezeigt. Die Platzierung des Dezimaltrennzeichens hängt von der Chemiemethode ab. Wenn der E-1- oder E-2-Fehler auftritt, während auf dem Messgerät eine Nullstellung durchgeführt wird, wiederholen Sie die Nullstellung.
- 2 Der blinkende Wert liegt 10 % über dem oberen Testbereichsgrenzwert.

Ersatzteile

⚠ WARNUNG



Verletzungsgefahr. Die Verwendung nicht zugelassener Teile kann zur Verletzung von Personen, zu Schäden am Messgerät oder zu Fehlfunktionen der Ausrüstung führen. Die Ersatzteile in diesem Abschnitt sind vom Hersteller zugelassen.

Hinweis: Produkt- und Artikelnummern können für einige Verkaufsgebiete abweichen. Wenden Sie sich an den zuständigen Distributor oder schlagen Sie die Kontaktinformationen auf der Webseite des Unternehmens nach.

Ersatzteile

Beschreibung	Menge	Bestellnr.
AAA-Alkalibatterien	4/Packung	4674300
Abdeckkappenkabel	1	5955900
Geräteabdeckkappe	1	5954800
Küvette, 25 mm (10 ml), mit Kappen	6/Packung	2427606
Küvette, 1 cm (10 ml), mit Kappen	2/Packung	4864302

Sommario

[Dati tecnici](#) a pagina 39

[Informazioni generali](#) a pagina 40

[Avvio](#) a pagina 44

[Interfaccia utente e navigazione](#)
a pagina 46

[Funzionamento](#) a pagina 48

[Manutenzione](#) a pagina 53

[Individuazione ed eliminazione dei guasti](#) a pagina 54

[Parti di ricambio](#) a pagina 56

Ulteriori informazioni

Ulteriori informazioni sono disponibili sul sito Web del produttore.

Dati tecnici

I dati tecnici sono soggetti a modifica senza preavviso.

Dato tecnico	Dettagli
Dimensioni (L x P x A)	6,1 x 3,2 x 15,2 cm (2,4 x 1,25 x 6 poll.)
Involucro	IP67, impermeabile a 1 m (3,3 piedi) per 30 minuti (vano batterie escluso). Tenere lontano dalla luce solare diretta.
Sorgente luminosa	LED
Rilevatore	Fotodiodo al silicio
Display	LCD con retroilluminazione
Peso	0,2 kg (0,43 lb)
Grado di inquinamento	2
Categoria di installazione	I
Classe di protezione	3
Requisiti di alimentazione	4 batterie AAA per circa 2000 test (valore ridotto in caso di uso della retroilluminazione) L'uso di batterie ricaricabili è sconsigliato.
Condizioni di esercizio	Da 0 a 50 °C (da 32 a 122 °F), dallo 0 al 90% di umidità relativa, senza condensa
Temperatura di conservazione	Da -20 a 55 °C (da -7,6 a 131 °F)
Precisione fotometrica	± 0,0015 Abs

Dato tecnico	Dettagli
Lunghezza d'onda	Lunghezza d'onda fissa ± 2 nm, diversa per ciascun modello
Larghezza di banda del filtro	15 nm
Intervallo di assorbanza	Da 0 a 2,5 Abs
Lunghezza percorso cella campione	1 cm (5–10 ml), 25 mm (10 ml)
Memoria dati	Ultime 10 misurazioni
Certificazioni	Contrassegno CE
Garanzia	2 anni

Informazioni generali

In nessun caso, il produttore potrà essere ritenuto responsabile in caso di danni diretti, indiretti, particolari, causali o consequenziali per qualsiasi difetto o omissione relativa al presente manuale. Il produttore si riserva il diritto di apportare eventuali modifiche al presente manuale e ai prodotti ivi descritti in qualsiasi momento senza alcuna notifica o obbligo. Le edizioni riviste sono presenti nel sito Web del produttore.

Informazioni sulla sicurezza

AVVISO

Il produttore non sarà da ritenersi responsabile in caso di danni causati dall'applicazione errata o dall'uso errato di questo prodotto inclusi, a puro titolo esemplificativo e non limitativo, i danni incidentali e consequenziali; inoltre declina qualsiasi responsabilità per tali danni entro i limiti previsti dalle leggi vigenti. La responsabilità relativa all'identificazione dei rischi critici dell'applicazione e all'installazione di meccanismi appropriati per proteggere le attività in caso di eventuale malfunzionamento dell'apparecchiatura compete unicamente all'utilizzatore.

Prima di disimballare, installare o utilizzare l'apparecchio, si prega di leggere l'intero manuale. Si raccomanda di leggere con attenzione e rispettare le istruzioni riguardanti possibili pericoli o note cautelative. La non osservanza di tali indicazioni potrebbe comportare lesioni gravi dell'operatore o danni all'apparecchio.

Assicurarsi che la protezione fornita da questa apparecchiatura non sia danneggiata. Non utilizzare o installare questa apparecchiatura in modo diverso da quanto specificato nel presente manuale.

Utilizzo dei segnali di pericolo

▲ PERICOLO

Indica una situazione di pericolo potenziale o imminente che, se non evitata, causa lesioni gravi anche mortali.

▲ AVVERTENZA

Indica una situazione di pericolo potenziale o imminente che, se non evitata, potrebbe comportare lesioni gravi, anche mortali.

▲ ATTENZIONE



Indica una situazione di pericolo potenziale che potrebbe comportare lesioni lievi o moderate.

AVVISO

Indica una situazione che, se non evitata, può danneggiare lo strumento. Informazioni che richiedono particolare attenzione da parte dell'utente.

Etichette precauzionali

Leggere sempre tutte le indicazioni e le targhette di segnalazione applicate all'apparecchio. La mancata osservanza delle stesse può infatti causare lesioni personali o danni allo strumento. Un simbolo sullo strumento è indicato nel manuale unitamente a una frase di avvertenza.

	Tale simbolo, se apposto sullo strumento, fa riferimento al manuale delle istruzioni per il funzionamento e/o informazioni sulla sicurezza.
	Le apparecchiature elettriche contrassegnate con questo simbolo non possono essere smaltite attraverso sistemi domestici o pubblici europei. Restituire le vecchie apparecchiature al produttore il quale si occuperà gratuitamente del loro smaltimento.

Certificazioni

Canadian Radio Interference-Causing Equipment Regulation, IECS-003, Class A:

Le registrazioni dei test di supporto sono disponibili presso il produttore.

Questo apparecchio digitale di Classe A soddisfa tutti i requisiti di cui agli Ordinamenti canadesi sulle apparecchiature causanti interferenze.

Questo apparecchio digitale di Classe A soddisfa tutti i requisiti di cui agli Ordinamenti canadesi sulle apparecchiature causanti interferenze.

FCC Parte 15, Limiti Classe "A"

Le registrazioni dei test di supporto sono disponibili presso il produttore. Il presente dispositivo è conforme alla Parte 15 della normativa FCC. Il funzionamento è subordinato alle seguenti condizioni:

1. L'apparecchio potrebbe non causare interferenze dannose.
2. L'apparecchio deve tollerare tutte le interferenze subite, comprese quelle causate da funzionamenti inopportuni.

Modifiche o cambiamenti eseguiti sull'unità senza previa approvazione da parte dell'ente responsabile della conformità potrebbero annullare il diritto di utilizzare l'apparecchio. Questo apparecchio è stato testato ed è conforme con i limiti per un dispositivo digitale di Classe A, secondo la Parte 15 delle normative FCC. I suddetti limiti sono stati fissati in modo da garantire una protezione adeguata nei confronti di interferenze nocive se si utilizza l'apparecchiatura in applicazioni commerciali. L'apparecchiatura produce, utilizza e può irradiare energia a radiofrequenza e, se non installata e utilizzata in accordo a quanto riportato nel manuale delle istruzioni, potrebbe causare interferenze nocive per le radiocomunicazioni. L'utilizzo di questa apparecchiatura in una zona residenziale può provocare interferenze dannose; in tal caso, l'utente dovrà eliminare l'interferenza a proprie spese. Per ridurre i problemi di interferenza, è possibile utilizzare le seguenti tecniche:

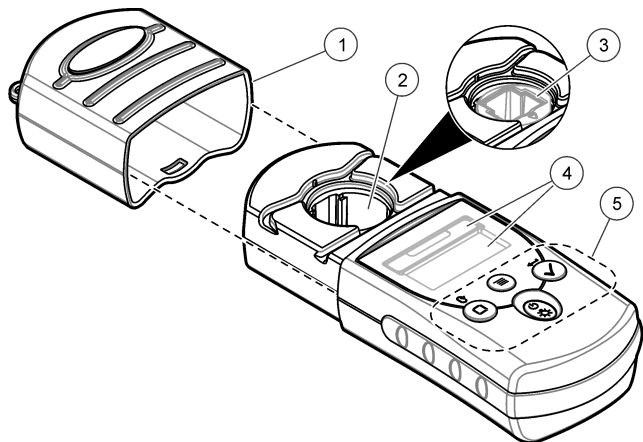
1. Spostare l'apparecchio lontano dal dispositivo che riceve l'interferenza.
2. Posizionare nuovamente l'antenna di ricezione dell'apparecchio che riceve le interferenze.
3. Provare una combinazione dei suggerimenti sopra riportati.

Descrizione del prodotto

Questo strumento è un fotometro a filtro portatile utilizzato per l'analisi delle acque. Fare riferimento a [Figura 15](#). Questo strumento è configurato in fabbrica per misurare uno o due parametri specifici ed è calibrato in fabbrica. La calibrazione da parte dell'utente non è necessaria.

Nota: *questo strumento non è stato valutato per quel che riguarda la misurazione di cloro e clorammine in applicazioni mediche negli Stati Uniti.*

Figura 15 Descrizione dello strumento



1 Coperchio dello strumento	3 Vano cella con adattatore cella di 1 cm ¹	5 Tastiera
2 Vano cella	4 Display	

¹ Montato in fabbrica su alcuni modelli

Avvio

Installazione delle batterie

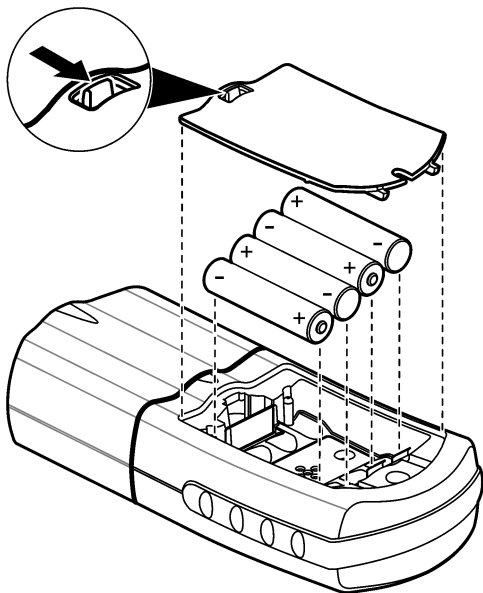
▲ AVVERTENZA



Pericolo di esplosione. L'errata installazione della batteria può causare il rilascio di gas esplosivi. Accertarsi che le batterie siano dello stesso tipo chimico approvato e che siano inserite nell'orientamento corretto. Non mettere insieme batterie nuove con batterie vecchie.

Installare le batterie come illustrato nella [Figura 16](#).

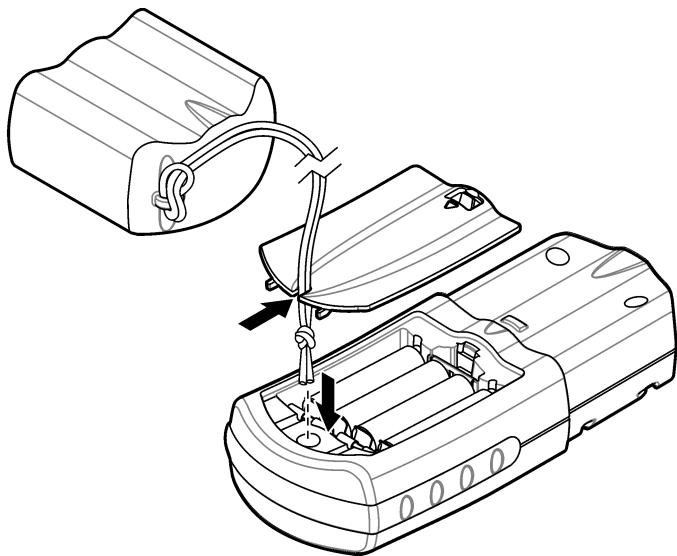
Figura 16 Installazione delle batterie



Installazione del cavo del coperchio

Fissare il cavo del coperchio per non perdere il coperchio dello strumento. Fare riferimento a [Figura 17](#).

Figura 17 Installazione del cavo del coperchio

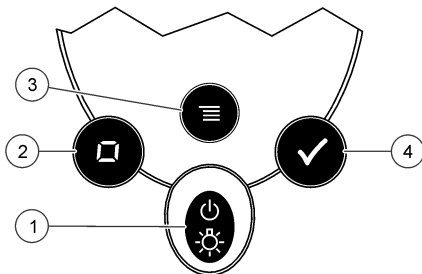


Interfaccia utente e navigazione

Descrizione della tastiera

La [Figura 18](#) mostra la tastiera e illustra le funzioni dei tasti.

Figura 18 Tastiera



1 Tasto di accensione/retroilluminazione: per attivare o disattivare. Tenere premuto per 1 secondo per attivare o disattivare la retroilluminazione.	3 Tasto menu: per entrare e uscire nella/dalla modalità menu.
2 Tasto zero/scorrimento: per azzerare lo strumento e scorrere le opzioni di menu e i numeri	4 Tasto di lettura/invio: per avviare una misura campione, selezionare un'opzione di menu, spostare il cursore alla cifra successiva

Descrizione del display

La [Figura 19](#) mostra i valori e le icone visualizzati sul display.

Figura 19 Display



1 Display numerico: valore misurato o opzioni di menu	4 Icona del menu: lo strumento è in modalità menu.
2 Icona di misura: range o parametro selezionato	5 Icona di calibrazione modificata: la calibrazione predefinita in fabbrica è stata modificata oppure l'utente ha immesso una curva di calibrazione. Fare riferimento al manuale completo per l'utente sul sito Web del produttore.
3 Valore di misura: range o parametri	6 Icona di batteria scarica: livello della batteria pari al 10%. Lampeggia quando il livello di carica della batteria è troppo basso per completare le misure.

Funzionamento

Configurazione dello strumento

1. Premere
2. Premere per scorrere le opzioni di menu. Premere per selezionare un'opzione.



Opzione	Descrizione
---------	-------------

SEL	Per impostare il range o il parametro di misura. Premere per spostarsi tra i range o i parametri di misura.
-----	--

Opzione	Descrizione
00:00	Per impostare l'ora in formato 24 ore (hh:mm). Premere ✓ per modificare l'ora. Premere □ per modificare la prima cifra, quindi ✓ per passare alla cifra successiva.
rCL	Per visualizzare le ultime 10 misure registrate. Premere ✓ per visualizzare le misure registrate (01—misura più recente, 10—misura meno recente). Premere ✓ per scorrere le misure. Per selezionare una misura in base al numero, premere □ per selezionare il numero, quindi ✓. Premere ≡ per uscire da questa opzione.
SCA	Fare riferimento al manuale completo per l'utente sul sito Web del produttore.

3. Premere ≡ per tornare alla modalità di misura.

Esecuzione di un test

▲ AVVERTENZA	
 	<p>Pericolo di esposizione ad agenti chimici. Rispettare le procedure di sicurezza del laboratorio e indossare tutte le apparecchiature protettive appropriate per le sostanze chimiche utilizzate. Fare riferimento alle attuali schede di sicurezza (MSDS/SDS) per i protocolli di sicurezza.</p>

Di seguito sono riportate le procedure di misura di base necessarie per eseguire un test. Per eseguire un test specifico, fare riferimento al metodo applicabile.

1. Selezionare il range o il parametro di misura applicabile. Fare riferimento a [Configurazione dello strumento](#) a pagina 48.
2. Preparare il bianco secondo la procedura del metodo. Assicurarsi di utilizzare la cella campione della dimensione corretta. Sciacquare la cella campione con il bianco prima di riempirla.
3. Chiudere la cella campione e pulirne le superfici ottiche con un panno privo di lanugine.
4. Inserire la cella del bianco nel vano cella. Assicurarsi di installare la cella del bianco mantenendo un orientamento costante e corretto in modo che i risultati siano più precisi e ripetibili. Fare riferimento a [Figura 20](#).



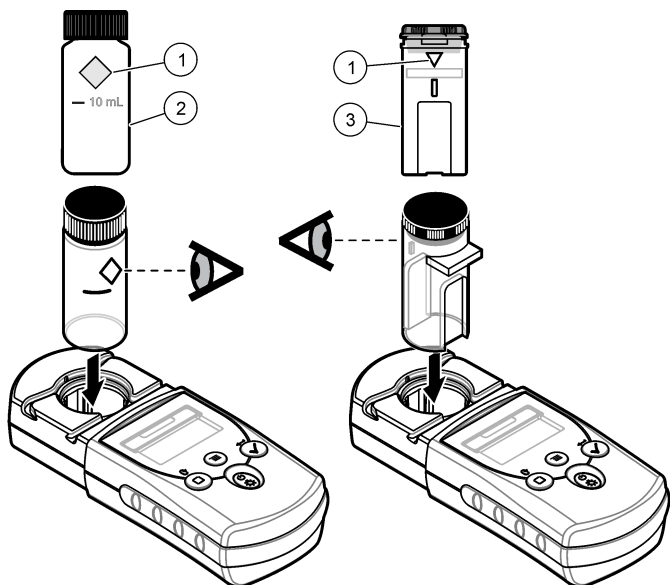
5. Montare il coperchio dello strumento sul vano cella. Fare riferimento a [Figura 21](#).
6. Premere  per azzerare lo strumento. Il display visualizza "0,000" o il grado di risoluzione selezionato in precedenza.
7. Preparare il campione. Prima di riempire la cella campione, sciacquare sia la cella che il coperchio tre volte. Aggiungere i reagenti come specificato dalla procedura del metodo.
8. Chiudere la cella campione e pulire le superfici ottiche della cella con un panno privo di lanugine.
9. Inserire il campione nel vano cella. Assicurarsi di installare la cella campione mantenendo un orientamento costante e corretto in modo che i risultati siano più precisi e ripetibili. Fare riferimento a [Figura 20](#).
10. Montare il coperchio dello strumento sul vano cella. Fare riferimento a [Figura 21](#).
11. Premere . Il display visualizza i risultati in unità di concentrazione o assorbanza.
Nota: il risultato lampeggia se inferiore o superiore al range analitico dello strumento.
12. Rimuovere il campione preparato dal vano cella.
13. Svuotare immediatamente e sciacquare la cella campione. Sciacquare sia la cella campione che il coperchio tre volte con acqua deionizzata.

Figura 20 Orientamento celle campione

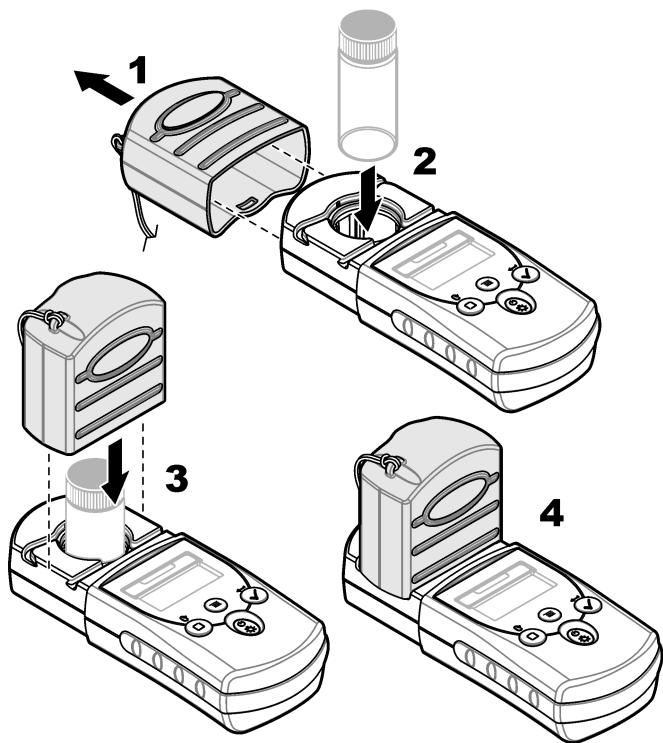


1 Segno orientamento

2 Cella campione,
25 mm (10 ml)

3 Cella campione, 1 cm
(10 ml)

Figura 21 Montaggio del coperchio dello strumento sul vano cella



Visualizzazione delle misurazioni registrate

Fare riferimento all'opzione "rCL" in [Configurazione dello strumento](#) a pagina 48.

Manutenzione

▲ ATTENZIONE



Pericoli multipli. Gli interventi descritti in questa sezione del documento devono essere eseguiti solo da personale qualificato.

AVVISO

Non smontare lo strumento per operazioni di manutenzione. Se è necessario pulire o riparare i componenti interni, contattare il produttore.

Pulire le celle dei campioni

▲ ATTENZIONE



Pericolo di esposizione ad agenti chimici. Rispettare le procedure di sicurezza del laboratorio e indossare tutte le apparecchiature protettive appropriate per le sostanze chimiche utilizzate. Fare riferimento alle attuali schede di sicurezza (MSDS/SDS) per i protocolli di sicurezza.

▲ ATTENZIONE



Pericolo di esposizione ad agenti chimici. Smaltire i prodotti chimici e i rifiuti conformemente alle normative locali, regionali e nazionali.

La maggior parte dei detergenti di laboratorio sono utilizzati a concentrazioni raccomandate. I detergenti neutri, come Liquinox, sono più sicuri quando è necessaria una pulizia regolare. Per ridurre i tempi di pulizia, aumentare la temperatura o utilizzare un bagno a ultrasuoni. Per completare la pulizia, sciacquare alcune volte con acqua deionizzata e lasciare che la cella campione si asciughi all'aria. Le celle campione possono essere pulite con acido, seguito da un accurato risciacquo con acqua deionizzata.


Nota: Utilizzare sempre l'acido per pulire le celle campione utilizzate per test di metallo a basso livello.

Metodi di pulizia speciali sono necessari per singole procedure. Quando viene utilizzato un pennello per pulire le celle campione, fare molta attenzione a non graffiare le superfici interne delle celle campione.

Sostituzione delle batterie

Sostituire le batterie quando il livello di carica è basso. Fare riferimento a [Installazione delle batterie](#) a pagina 44.

Individuazione ed eliminazione dei guasti

Errore	Descrizione	Soluzione
E-0	Non zero	In modalità di calibrazione utente, è stata misurata una soluzione standard prima di impostare lo strumento su zero. Misurare un bianco per azzerare lo strumento.
E-1	Errore luce ambiente ¹	Presenza di luce ambiente nel vano cella. Assicurarsi che il coperchio dello strumento sia montato correttamente sul vano cella.
E-2	Errore LED ¹	Il LED (sorgente luminosa) è fuori regolazione. Sostituire le batterie. Accertarsi che il LED nel vano cella si accenda quando si preme  o  .
E-3	Errore di regolazione standard	<ul style="list-style-type: none">• Il valore misurato della soluzione standard supera i limiti di regolazione. Preparare uno standard nuovo.• La soluzione standard non rientra nel range di concentrazione che può essere utilizzata per la modifica della calibrazione standard. Preparare uno standard con un valore pari o vicino alle concentrazioni consigliate fornite nella procedura.• Assicurarsi che la concentrazione della soluzione standard venga immessa correttamente.

Errore	Descrizione	Soluzione
E-6	Errore di assorbanza	Il valore di assorbanza non è corretto o la curva di calibrazione immessa dall'utente presenta meno di due punti. Immettere o misurare di nuovo il valore di assorbanza.
E-7	Errore valore standard	La concentrazione della soluzione standard è uguale alla concentrazione di un'altra soluzione standard già specificata nella curva di calibrazione immessa dall'utente. Immettere la concentrazione standard corretta.
E-9	Errore memoria Flash	Lo strumento non è in grado di salvare i dati.
Valore lampeggiante	Il valore è superiore o inferiore alla gamma dello strumento. ²	Se il valore è inferiore al range dello strumento, assicurarsi che il coperchio dello strumento sia montato correttamente sul vano cella. Misurare un bianco. Se il valore del bianco non è pari a zero, azzerare di nuovo lo strumento
		Se il valore è superiore al range dello strumento, identificare un eventuale percorso luminoso bloccato nel vano cella. Diluire il campione. Ripetere il test.
		Per i programmi impostati in fabbrica, i valori massimo e minimo sono sempre uguali ai valori calibrati in fabbrica e non sono modificabili.

- ¹ Quando si verifica un errore E-1 o E-2 su una misurazione, il display visualizza “_.”. La posizione decimale dipende dalla composizione chimica. Se si verifica l'errore E-1 o E-2 mentre lo strumento è azzerato, reimpostare lo strumento su zero.
- ² Il valore lampeggiante sarà superiore del 10% al limite massimo della gamma di test.

Parti di ricambio

▲ AVVERTENZA



Pericolo di lesioni personali. L'uso di parti non approvate può causare lesioni personali, danni alla strumentazione o malfunzionamenti dell'apparecchiatura. La parti di ricambio riportate in questa sezione sono approvate dal produttore.

Nota: Numeri di Prodotti e Articoli possono variare per alcune regioni di vendita. Contattare il distributore appropriato o fare riferimento al sito Web dell'azienda per dati di contatto.

Parti di ricambio

Descrizione	Quantità	Prodotto n.
Batterie AAA, alcaline	4/conf	4674300
Cavo del coperchio	1	5955900
Coperchio dello strumento	1	5954800
Cella campione, 25 mm (10 ml), con tappi	6/conf	2427606
Cella campione, 1 mm (10 ml), con tappi	2/conf	4864302

Table des matières

Caractéristiques à la page 57

Généralités à la page 58

Mise en marche à la page 62

Interface utilisateur et navigation
à la page 63

Fonctionnement à la page 65

Maintenance à la page 70

Dépannage à la page 71

Pièces de rechange à la page 72

Informations supplémentaires

Des informations supplémentaires sont disponibles sur le site Web du fabricant.

Caractéristiques

Les caractéristiques techniques peuvent être modifiées sans préavis.

Caractéristique	Détails
Dimensions (l x P x H)	6,1 x 3,2 x 15,2 cm (2,4 x 1,25 x 6 pouces)
Boîtier	IP67, étanche à 1 m (3,3 pieds) pendant 30 minutes (compartiment pour batterie non inclus). Ne pas exposer à la lumière directe du soleil.
Source de lumière	Diode électroluminescente (DEL)
Détecteur	Photodiode au silicium
Ecran	Ecran LCD avec rétroéclairage
Poids	0,2 kg (0,43 lb)
Niveau de pollution	2
Catégorie d'installation	I
Classe de protection	3
Alimentation requise	4 piles AAA ; durée de vie permettant environ 2 000 tests (l'utilisation du rétroéclairage diminue cette durée) L'utilisation de piles rechargeables est déconseillée.
Environnement d'exploitation	0 à 50 °C (32 à 122 °F) ; 0 à 90 % d'humidité relative sans condensation

Caractéristique	Détails
Température de stockage	-20 à 55 °C (-7,6 à 131 °F)
Précision photométrique	± 0,0015 Abs
Longueur d'onde	Longueur d'onde fixe de ±2 nm, différente pour chaque modèle
Largeur de bande de filtre	15 nm
Plage d'absorbance	0 à 2,5 Abs
Longueur du trajet optique de la cuve à échantillon	1 cm (5-10 ml), 25 mm (10 ml)
Stockage des données	10 dernières mesures
Certifications	Marque CE
Garantie	2 ans

Généralités

En aucun cas le constructeur ne saurait être responsable des dommages directs, indirects, spéciaux, accessoires ou consécutifs résultant d'un défaut ou d'une omission dans ce manuel. Le constructeur se réserve le droit d'apporter des modifications à ce manuel et aux produits décrits à tout moment, sans avertissement ni obligation. Les éditions révisées se trouvent sur le site Internet du fabricant.

Consignes de sécurité

AVIS

Le fabricant décline toute responsabilité quant aux dégâts liés à une application ou un usage inappropriés de ce produit, y compris, sans toutefois s'y limiter, des dommages directs ou indirects, ainsi que des dommages consécutifs, et rejette toute responsabilité quant à ces dommages dans la mesure où la loi applicable le permet. L'utilisateur est seul responsable de la vérification des risques d'application critiques et de la mise en place de mécanismes de protection des processus en cas de défaillance de l'équipement.

Veuillez lire l'ensemble du manuel avant le déballage, la configuration ou la mise en fonctionnement de cet appareil. Respectez toutes les déclarations de prudence et d'attention. Le non-respect de cette procédure peut conduire à des blessures graves de l'opérateur ou à des dégâts sur le matériel.

Assurez-vous que la protection fournie avec cet appareil n'est pas défaillante. N'utilisez ni n'installez cet appareil d'une façon différente de celle décrite dans ce manuel.

Interprétation des indications de risques

▲ DANGER

Indique une situation de danger potentiel ou imminent qui, si elle n'est pas évitée, entraîne des blessures graves, voire mortelles.

▲ AVERTISSEMENT

Indique une situation de danger potentiel ou imminent qui, si elle n'est pas évitée, peut entraîner des blessures graves, voire mortelles.

▲ ATTENTION



Indique une situation de danger potentiel qui peut entraîner des blessures mineures ou légères.

AVIS

Indique une situation qui, si elle n'est pas évitée, peut occasionner l'endommagement du matériel. Informations nécessitant une attention particulière.

Étiquettes de mise en garde

Lisez toutes les informations et toutes les étiquettes apposées sur l'appareil. Des personnes peuvent se blesser et le matériel peut être endommagé si ces instructions ne sont pas respectées. Un symbole sur l'appareil est référencé dans le manuel et accompagné d'une déclaration de mise en garde.

	Si l'appareil comporte ce symbole, reportez-vous au manuel d'utilisation pour consulter les informations de fonctionnement et de sécurité.
	Le matériel électrique portant ce symbole ne doit pas être mis au rebut dans les réseaux domestiques ou publics européens. Retournez le matériel usé ou en fin de vie au fabricant pour une mise au rebut sans frais pour l'utilisateur.

Certification

Règlement canadien sur les équipements causant des interférences radio, IECS-003, Classe A:

Les données d'essai correspondantes sont conservées chez le constructeur.

Cet appareil numérique de classe A respecte toutes les exigences du Règlement sur le matériel brouilleur du Canada.

Cet appareil numérique de classe A répond à toutes les exigences de la réglementation canadienne sur les équipements provoquant des interférences.

FCC part 15, limites de classe A :

Les données d'essai correspondantes sont conservées chez le constructeur. L'appareil est conforme à la partie 15 de la réglementation FCC. Le fonctionnement est soumis aux conditions suivantes :

1. Cet équipement ne peut pas causer d'interférence nuisible.
2. Cet équipement doit accepter toutes les interférences reçues, y compris celles qui pourraient entraîner un fonctionnement inattendu.

Les modifications de cet équipement qui n'ont pas été expressément approuvées par le responsable de la conformité aux limites pourraient annuler l'autorité dont l'utilisateur dispose pour utiliser cet équipement. Cet équipement a été testé et déclaré conforme aux limites définies pour les appareils numériques de classe A, conformément à la section 15 de la réglementation FCC. Ces limites ont pour but de fournir une protection raisonnable contre les interférences néfastes lorsque l'équipement fonctionne dans un environnement commercial. Cet équipement génère, utilise et peut irradier l'énergie des fréquences radio et, s'il n'est pas installé ou utilisé conformément au mode d'emploi, il peut entraîner des interférences dangereuses pour les communications radio. Le fonctionnement de cet équipement dans une zone résidentielle risque de causer des interférences nuisibles, dans ce cas l'utilisateur doit corriger les interférences à ses frais Les techniques ci-dessous peuvent permettre de réduire les problèmes d'interférences :

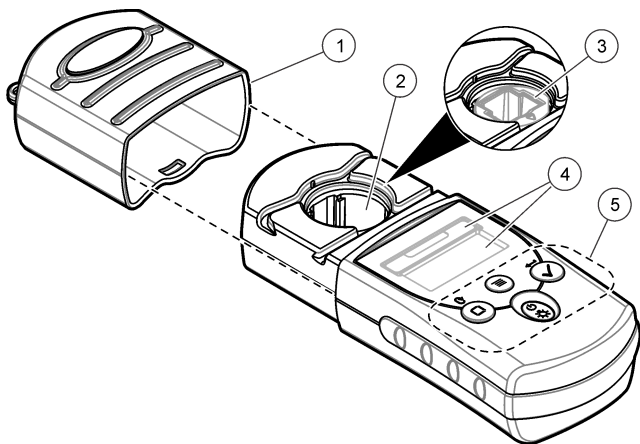
1. Éloigner l'équipement du dispositif qui reçoit l'interférence.
2. Repositionner l'antenne de réception du périphérique qui reçoit les interférences.
3. Essayer plusieurs des techniques ci-dessus à la fois.

Présentation du produit

Cet instrument est un photomètre à filtre portable utilisé pour l'analyse de l'eau. Reportez-vous à la [Figure 22](#). Cet instrument est configuré en usine pour la mesure d'un ou de deux paramètres spécifiques. L'instrument est étalonné en usine. Aucun étalonnage ne doit être effectué par l'utilisateur.

Remarque : cet instrument n'a pas été testé pour la mesure de chlore et de chloramine dans les applications médicales aux Etats-Unis.

Figure 22 Présentation de l'instrument



1 Capuchon de l'instrument	3 Porte-cuve avec adaptateur pour cuves de 1 cm ¹	5 Clavier
2 Porte-cuve	4 Ecran	

¹ Installé en usine dans certains modèles

Mise en marche

Installation des piles

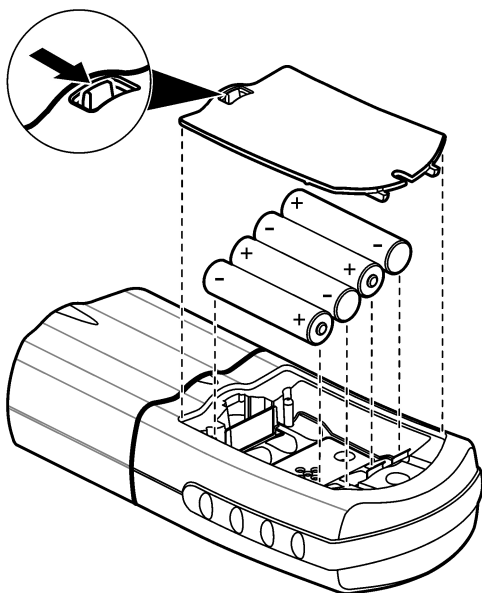
⚠ AVERTISSEMENT



Risque d'explosion Une installation incorrecte des piles peut libérer des gaz explosifs. Veillez à ce que les piles soient du même type chimique homologué et qu'elles soient insérées dans le bon sens. Ne mélangez pas des piles neuves et des piles usagées.

Installez les piles tel qu'illustré sur la [Figure 23](#).

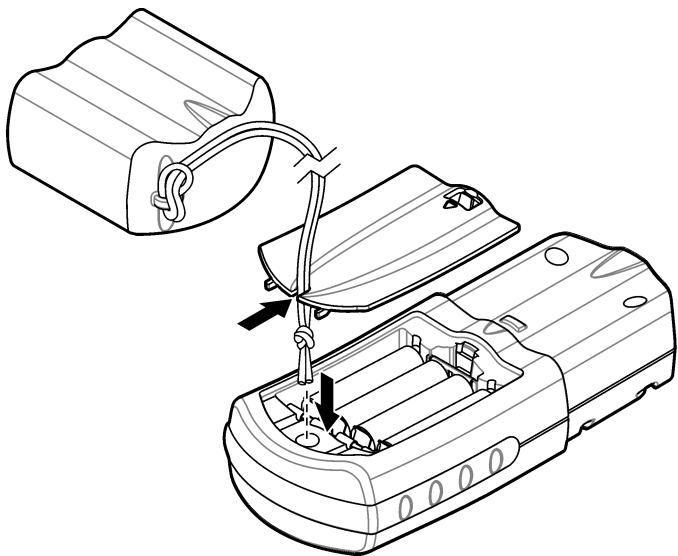
Figure 23 Installation des piles



Installation du cordon pour capuchon

Fixez le cordon pour capuchon afin d'éviter la perte du capuchon de l'instrument. Reportez-vous à la section [Figure 24](#).

Figure 24 Installation du cordon pour capuchon

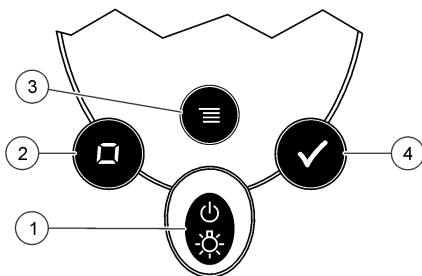


Interface utilisateur et navigation

Description du clavier

La [Figure 25](#) illustre le clavier et fournit des indications sur les fonctions des boutons.

Figure 25 Clavier



<p>1 Bouton d'alimentation/de rétroéclairage : permet de mettre l'appareil sous/hors tension. Maintenez le bouton enfoncé pendant 1 seconde pour activer/désactiver le rétroéclairage.</p>	<p>3 Bouton de menu : permet d'accéder au mode de menu et de le quitter.</p>
<p>2 Bouton d'étalonnage du zéro/de navigation : permet d'étalonner le zéro de l'instrument et de parcourir les options de menu et les numéros.</p>	<p>4 Bouton de lecture/saisie : permet de lancer une mesure d'échantillon, de sélectionner une option de menu et de déplacer le curseur jusqu'au chiffre suivant.</p>

Description de l'écran

La [Figure 26](#) illustre les valeurs et icônes affichées à l'écran.

Figure 26 Ecran



<p>1 Ecran numérique : valeur mesurée ou options de menu</p>	<p>4 Icône de menu : l'instrument est en mode de menu.</p>
<p>2 Icône de plage : plage ou paramètre sélectionné(e)</p>	<p>5 Icône d'ajustement de l'étalonnage : l'étalonnage d'usine par défaut a été ajusté ou une courbe d'étalonnage utilisateur a été saisie. Consultez le manuel d'utilisation complet sur le site Web du fabricant.</p>
<p>3 Valeur de plage : plage(s) ou paramètres</p>	<p>6 Icône de batterie faible : le niveau de la batterie est de 10 %. L'icône clignote lorsque le niveau de la batterie est trop faible pour effectuer des mesures.</p>

Fonctionnement









Configuration de l'instrument

1. Appuyez sur ☰.
2. Appuyez sur □ pour parcourir les options de menu. Appuyez sur ✓ pour sélectionner une option.

Option	Description
--------	-------------

- | | |
|-------------------|---|
| <p>SEL</p> | <p>Permet de définir une plage de mesure ou un paramètre. Appuyez sur ✓ pour alterner entre les plages de mesure et les paramètres.</p> |
|-------------------|---|

Option Description

- 00:00** Permet de régler l'heure au format 24 heures (hh:mm). Appuyez sur  pour modifier l'heure. Appuyez sur  pour modifier le premier chiffre, puis sur  pour accéder au chiffre suivant.
- rCL** Permet d'afficher les 10 dernières mesures enregistrées. Appuyez sur  pour afficher les mesures enregistrées (01 : mesure la plus récente, 10 : mesure la plus ancienne). Appuyez sur  pour parcourir les mesures. Pour choisir une mesure en fonction de son numéro, appuyez sur  pour sélectionner le numéro, puis sur . Appuyez sur  pour quitter cette option.
- SCA** Consultez le manuel d'utilisation complet sur le site Web du fabricant.

3. Appuyez sur  pour revenir en mode de mesure.

Réalisation d'un test

AVERTISSEMENT





Risque d'exposition chimique. Respectez les procédures de sécurité du laboratoire et portez tous les équipements de protection personnelle adaptés aux produits chimiques que vous manipulez. Consultez les fiches de données de sécurité (MSDS/SDS) à jour pour connaître les protocoles de sécurité applicables.



Les étapes de mesure de base nécessaires à la réalisation d'un test sont les suivantes. Pour exécuter un test spécifique, consultez la méthode correspondante.

1. Sélectionnez la plage de mesure ou le paramètre applicable. Reportez-vous à la section [Configuration de l'instrument](#) à la page 65.
2. Préparez le blanc selon le document descriptif de la méthode. Assurez-vous d'utiliser une taille de cuve à échantillon adaptée. Rincez la cuve à échantillon et le capuchon avec le blanc avant de remplir la cuve à échantillon.
3. Fermez la cuve à échantillon et nettoyez les surfaces optiques de la cuve à échantillon avec un chiffon non pelucheux.
4. Insérez la cuve à échantillon blanc dans le porte-cuve. Assurez-vous d'installer la cuve à échantillon blanc correctement et dans

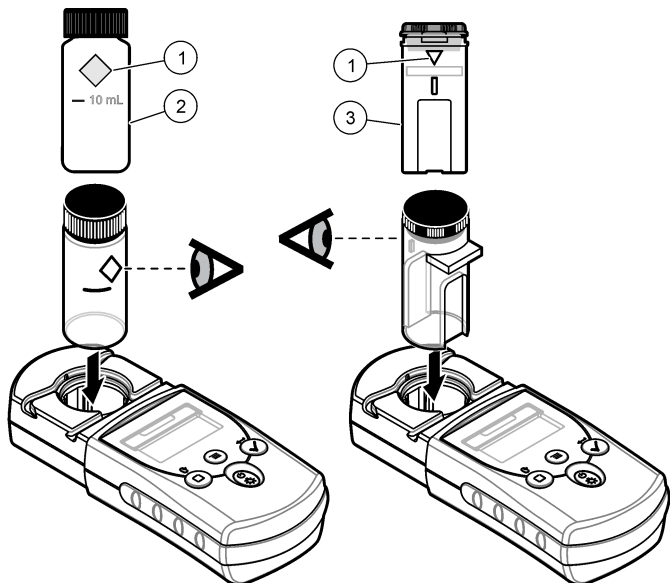
une orientation toujours identique pour obtenir des résultats plus répétables et précis. Voir [Figure 27](#).

5. Placez le capuchon de l'instrument sur le porte-cuve. Voir [Figure 28](#).
6. Appuyez sur  pour étalonner le zéro de l'instrument. L'écran affiche « 0.000 » ou le niveau de résolution précédemment sélectionné.
7. Préparation de l'échantillon. Rincez trois fois la cuve à échantillon et le capuchon avec l'échantillon avant de remplir la cuve à échantillon. Ajoutez les réactifs selon les indications du document de méthode.
8. Fermez la cuve à échantillon et nettoyez les surfaces optiques de la cuve avec un chiffon non pelucheux..
9. Insérez l'échantillon dans le porte-cuve. Assurez-vous d'installer la cuve à échantillon correctement et dans une orientation toujours identique pour obtenir des résultats plus répétables et précis. Voir [Figure 27](#).
10. Placez le capuchon de l'instrument sur le porte-cuve. Voir [Figure 28](#).
11. Appuyez sur . L'écran affiche les résultats en termes d'unités de concentration ou d'absorbance.

Remarque : le résultat clignote si celui-ci est inférieur ou supérieur à la plage de l'instrument.

12. Retirez l'échantillon préparé du porte-cuve.
13. Videz et rincez immédiatement la cuve à échantillon. Rincez trois fois la cuve à échantillon et le capuchon avec de l'eau déminéralisée.

Figure 27 Orientation de la cuve à échantillon

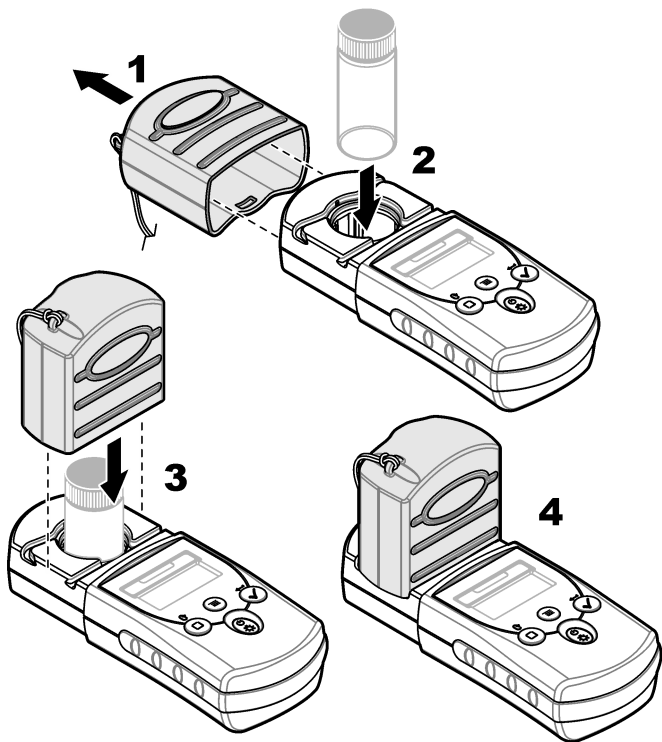


1 Repère d'orientation

2 Cuve à échantillon,
25 mm (10 ml)

3 Cuve à échantillon,
1 cm (10 ml)

Figure 28 Installation du capuchon de l'instrument sur le portecuve



Affichage des mesures enregistrées

Reportez-vous à l'option « rCL » à la section [Configuration de l'instrument](#) à la page 65.

Maintenance

▲ ATTENTION



Dangers multiples. Seul le personnel qualifié doit effectuer les tâches détaillées dans cette section du document.

AVIS

Ne pas démonter l'appareil pour entretien. Si les composants internes doivent être nettoyés ou réparés, contactez le fabricant.

Nettoyage des cuves d'échantillon

▲ ATTENTION



Risque d'exposition chimique. Respectez les procédures de sécurité du laboratoire et portez tous les équipements de protection personnelle adaptés aux produits chimiques que vous manipulez.



Consultez les fiches de données de sécurité (MSDS/SDS) à jour pour connaître les protocoles de sécurité applicables.

▲ ATTENTION



Risque d'exposition chimique. Mettez au rebut les substances chimiques et les déchets conformément aux réglementations locales, régionales et nationales.

La plupart des détergents de la laboratoires s'utilisent aux concentrations recommandées. Les détergents neutres, par exemple le Liquinox, sont plus sûrs quand un nettoyage régulier est nécessaire. Pour réduire le temps de nettoyage, augmentez la température ou utilisez un bain à ultrasons. Pour terminer le nettoyage, rincez plusieurs fois à l'eau déionisée, puis laissez sécher la cuve à échantillon à l'air.

Les cuves à échantillon peuvent également être nettoyées à l'acide, avant d'être rincées soigneusement à l'eau déionisée.


Remarque : *Toujours utiliser de l'acide pour nettoyer les cuves à échantillon destinées aux essais de basse teneur en métaux.*

Des méthodes de nettoyage spécifiques sont nécessaires pour certaines procédures. En cas d'utilisation d'une brosse pour nettoyer les cuves à échantillon, veillez à ne pas rayer la surface intérieure des cuves.

Remplacement des piles

Remplacez les piles lorsque le niveau d'autonomie est faible. Reportez-vous à la section [Installation des piles](#) à la page 62.

Dépannage

Erreur	Description	Solution
E-0	Pas de zéro	En mode d'étalonnage par l'utilisateur, une solution étalon a été mesurée avant l'étalonnage du zéro de l'instrument. Mesurez une solution de blanc pour étalonner le zéro de l'instrument.
E-1	Erreur de lumière ambiante ¹	La lumière ambiante s'infiltré dans le porte-cuve. Assurez-vous que le capuchon de l'instrument est parfaitement placé sur le porte-cuve.
E-2	Erreur de DEL ¹	La DEL (source lumineuse) n'est pas réglementaire. Remplacez les piles. Assurez-vous que la DEL située dans le porte-cuve s'allume lorsque vous appuyez sur ✓ ou  .
E-3	Erreur d'ajustement de l'étalon	<ul style="list-style-type: none"> • La valeur mesurée de la solution étalon est supérieure aux limites d'ajustement. Préparez un nouvel étalon. • La solution étalon n'est pas comprise dans la plage de concentration pouvant être utilisée pour l'ajustement de l'étalon. Préparez un étalon dont la valeur est égale ou quasiment égale aux concentrations recommandées indiquées dans la procédure. • Assurez-vous que la concentration de la solution étalon est saisie correctement.

Erreur	Description	Solution
E-6	Erreur d'absorbance	La valeur d'absorbance est incorrecte ou la courbe d'étalonnage saisi par l'utilisateur présente moins de deux points. Saisissez ou mesurez à nouveau la valeur d'absorbance.
E-7	Erreur de valeur d'étalon	La concentration de la solution étalon est égale à une autre concentration de solution étalon déjà saisie dans la courbe d'étalonnage saisi par l'utilisateur. Saisissez la concentration d'étalon correcte.
E-9	Erreur de clignotement	L'instrument n'est pas en mesure d'enregistrer les données.
La mesure clignote	La mesure est supérieure ou inférieure à la plage de l'instrument. ²	Si la mesure est inférieure à la plage de l'instrument, assurez-vous que le capuchon de l'instrument est parfaitement installé sur le porte-cuve. Mesurez un blanc. Si la mesure du blanc n'est pas égale à zéro, étalonnez à nouveau le zéro de l'instrument.
		Si la mesure est supérieure à la plage de l'instrument, vérifiez toute occultation de lumière dans le porte-cuve. Diluez l'échantillon. Effectuez à nouveau le test.
		Pour les programmes étalonnés en usine, les valeurs maximale et minimale correspondent toujours aux valeurs étalonnées en usine et ne peuvent pas être modifiées.

- 1 Lorsqu'une erreur E-1 ou E-2 se produit au niveau d'une mesure, l'écran affiche « ». La place de la décimale dépend de la chimie. Si une erreur E-1 ou E-2 se produit pendant l'étalonnage du zéro de l'instrument, effectuez à nouveau cette opération d'étalonnage du zéro.
- 2 La valeur qui clignote est 10 % supérieure à la limite haute de la plage de test.

Pièces de rechange

▲ AVERTISSEMENT



Risque de blessures corporelles. L'utilisation de pièces non approuvées comporte un risque de blessure, d'endommagement de l'appareil ou de panne d'équipement. Les pièces de rechange de cette section sont approuvées par le fabricant.

Remarque : Les numéros de référence de produit et d'article peuvent dépendre des régions de commercialisation. Prenez contact avec le distributeur approprié ou consultez le site web de la société pour connaître les personnes à contacter.

Pièces de rechange

Description	Quantité	Article n°
Piles AAA, alcalines	Lot de 4	4674300
Cordon pour capuchon	1	5955900
Capuchon de l'instrument	1	5954800
Cuve à échantillon, 25 mm (10 ml), avec capuchons	Lot de 6	2427606
Cuve à échantillon, 1 cm (10 ml), avec capuchons	Lot de 2	4864302

Tabla de contenidos

[Especificaciones](#) en la página 74

[Información general](#) en la página 75

[Puesta en marcha](#) en la página 79

[Interfaz del usuario y navegación](#)
en la página 81

[Funcionamiento](#) en la página 83

[Mantenimiento](#) en la página 88

[Solución de problemas](#)
en la página 89

[Piezas de repuesto](#) en la página 90

Información adicional

En el sitio web del fabricante encontrará información adicional.

Especificaciones

Las especificaciones están sujetas a cambios sin previo aviso.

Especificación	Detalles
Dimensiones (An x Pr x Al)	6,1 x 3,2 x 15,2 cm (2,4 x 1,25 x 6 pulg.)
Protección	IP67, impermeable a 1 m (3,3 pies) durante 30 minutos (excepto el compartimento de las pilas). No exponer a la luz solar directa.
Fuente de luz	Diodo de emisión de luz (LED)
Detector	Fotodiodo de silicón
Pantalla	LCD con retroiluminación
Peso	0,2 kg (0,43 lb)
Grado de contaminación	2
Tipo de instalación	1
Clase de protección	3
Requisitos de alimentación eléctrica	4 pilas AAA, con una vida aproximada de 2000 pruebas (la función de retroiluminación reduce esta cifra) No se recomienda el uso de pilas recargables.
Entorno operativo	De 0 a 50 °C (de 32 a 122 °F), del 0 al 90% de humedad relativa, sin condensación

Especificación	Detalles
Temperatura de almacenamiento	-20 a 55 °C (-7,6 a 131 °F)
Precisión fotométrica	± 0,0015 Abs
Wavelength (Longitud de onda)	Longitud de onda fija ±2 nm, varía en cada modelo
Ancho de banda del filtro	15 nm
Rango de absorbancia	0 a 2,5 Abs
Camino óptico de la cubeta de muestra	1 cm (de 5 a 10 ml), 25 mm (10 ml)
Almacenamiento de datos	Últimas 10 mediciones
Certificaciones	Marcado CE
Garantía	2 años

Información general

En ningún caso el fabricante será responsable de ningún daño directo, indirecto, especial, accidental o resultante de un defecto u omisión en este manual. El fabricante se reserva el derecho a modificar este manual y los productos que describen en cualquier momento, sin aviso ni obligación. Las ediciones revisadas se encuentran en la página web del fabricante.

Información de seguridad

AVISO

El fabricante no es responsable de ningún daño debido a un mal uso de este producto incluyendo, sin limitación, daños directos, fortuitos o circunstanciales y reclamaciones sobre los daños que no estén recogidos en la legislación vigente. El usuario es el responsable de la identificación de los riesgos críticos y de tener los mecanismos adecuados de protección de los procesos en caso de un posible mal funcionamiento del equipo.

Lea todo el manual antes de desembalar, instalar o trabajar con este equipo. Ponga atención a todas las advertencias y avisos de peligro. El no hacerlo puede provocar heridas graves al usuario o daños al equipo.

Asegúrese de que la protección proporcionada por el equipo no está dañada. No utilice ni instale este equipo de manera distinta a lo especificado en este manual.

Uso de la información sobre riesgos

▲ PELIGRO

Indica una situación potencial o de riesgo inminente que, de no evitarse, provocará la muerte o lesiones graves.

▲ ADVERTENCIA

Indica una situación potencial o inminentemente peligrosa que, de no evitarse, podría provocar la muerte o lesiones graves.

▲ PRECAUCIÓN



Indica una situación potencialmente peligrosa que podría provocar una lesión menor o moderada.

AVISO

Indica una situación que, si no se evita, puede provocar daños en el instrumento. Información que requiere especial énfasis.

Etiquetas de precaución

Lea todas las etiquetas y rótulos adheridos al instrumento. En caso contrario, podrían producirse heridas personales o daños en el instrumento. El símbolo que aparezca en el instrumento se comentará en el manual con una declaración de precaución.

	Este símbolo (en caso de estar colocado en el equipo) hace referencia a las instrucciones de uso o a la información de seguridad del manual.
	En Europa, el equipo eléctrico marcado con este símbolo no se debe desechar mediante el servicio de recogida de basura doméstica o pública. Devuelva los equipos viejos o que hayan alcanzado el término de su vida útil al fabricante para su eliminación sin cargo para el usuario.

Certificación

Reglamentación canadiense sobre equipos que provocan interferencia, IECS-003, Clase A

Registros de pruebas de control del fabricante.

Este aparato digital de clase A cumple con todos los requerimientos de las reglamentaciones canadienses para equipos que producen interferencias.

Cet appareil numérique de classe A répond à toutes les exigences de la réglementation canadienne sur les équipements provoquant des interférences.

FCC Parte 15, Límites Clase "A"

Registros de pruebas de control del fabricante. Este dispositivo cumple con la Parte 15 de las normas de la FCC estadounidense. Su operación está sujeta a las siguientes dos condiciones:

1. El equipo no puede causar interferencias perjudiciales.
2. Este equipo debe aceptar cualquier interferencia recibida, incluyendo las interferencias que pueden causar un funcionamiento no deseado.

Los cambios o modificaciones a este equipo que no hayan sido aprobados por la parte responsable podrían anular el permiso del usuario para operar el equipo. Este equipo ha sido probado y encontrado que cumple con los límites para un dispositivo digital Clase A, de acuerdo con la Parte 15 de las Reglas FCC. Estos límites están diseñados para proporcionar una protección razonable contra las interferencias perjudiciales cuando el equipo está operando en un entorno comercial. Este equipo genera, utiliza y puede irradiar energía de radio frecuencia, y si no es instalado y utilizado de acuerdo con el manual de instrucciones, puede causar una interferencia dañina a las radio comunicaciones. La operación de este equipo en un área residencial es probable que produzca interferencia dañina, en cuyo caso el usuario será requerido para corregir la interferencia bajo su propio cargo. Pueden utilizarse las siguientes técnicas para reducir los problemas de interferencia:

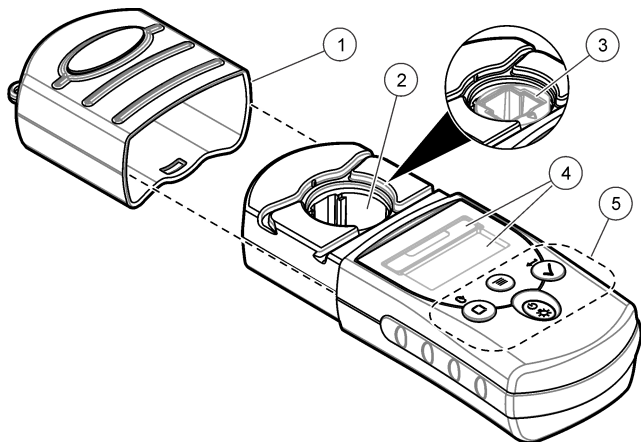
1. Aleje el equipo del dispositivo que está recibiendo la interferencia.
2. Cambie la posición de la antena del dispositivo que recibe la interferencia.
3. Trate combinaciones de las opciones descritas.

Descripción general del producto

Este instrumento es un fotómetro de filtro portátil que sirve para realizar análisis del agua. Consulte la [Figura 29](#). El instrumento viene configurado de fábrica para medir uno o dos parámetros específicos. Este instrumento se calibra en fábrica. No se necesita hacer más calibraciones.

Nota: *Este instrumento no ha sido evaluado para medir el cloro ni las cloraminas en aplicaciones médicas en Estados Unidos.*

Figura 29 Descripción general del instrumento



1 Tapa del instrumento	3 Alojamiento de cubetas con adaptador de cubetas de 1 cm ¹	5 Teclado
2 Alojamiento de cubetas	4 Pantalla	

¹ Instalado en fábrica en algunos modelos

Puesta en marcha

Instalación de las pilas

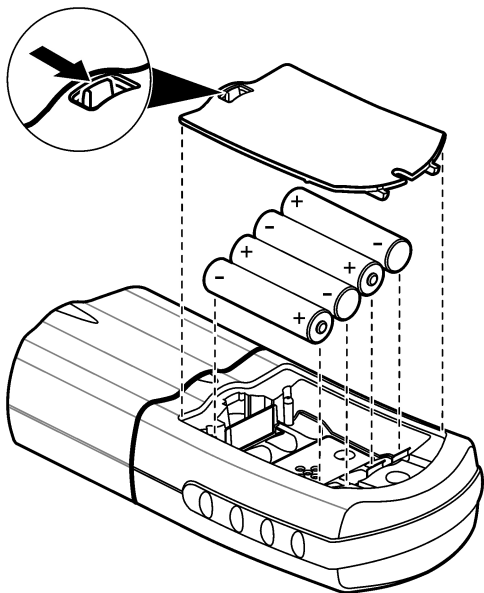
▲ ADVERTENCIA



Peligro de explosión. Si las pilas no están colocadas correctamente, se puede producir la liberación de gases explosivos. Asegúrese de que las pilas son del mismo tipo y material químico aprobado y están insertadas en el sentido correcto. No mezcle pilas nuevas y usadas.

Instale las pilas como se muestra en la [Figura 30](#).

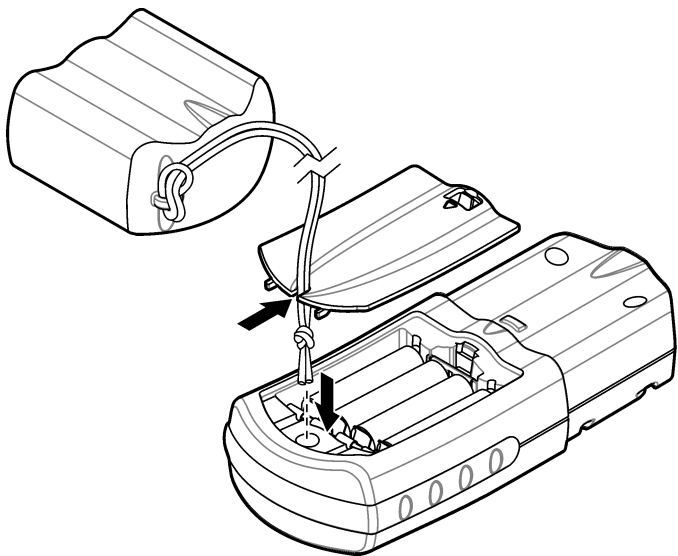
Figura 30 Instalación de las pilas



Instalación del cable de la tapa

Coloque el cable de la tapa para evitar que la tapa del instrumento se pierda. Consulte la [Figura 31](#).

Figura 31 Instalación del cable de la tapa

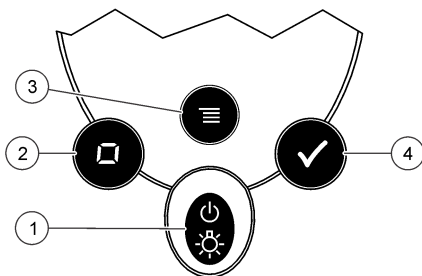


Interfaz del usuario y navegación

Descripción del teclado

La [Figura 32](#) muestra el teclado y describe las funciones de las teclas.

Figura 32 Teclado



<p>1 Tecla de encendido/retroiluminación: enciende y apaga el instrumento. Mantenga pulsada esta tecla para encender o apagar la retroiluminación.</p>	<p>3 Tecla de menú: activa y desactiva el modo menú.</p>
<p>2 Tecla cero/desplazamiento: establece el instrumento en cero y permite desplazarse por los números y las opciones del menú.</p>	<p>4 Tecla de lectura/Intro: inicia la medición de una muestra, selecciona una opción del menú, desplaza el cursor al dígito siguiente.</p>

Descripción de la pantalla

En la [Figura 33](#) se muestran los valores y los iconos que aparecen en la pantalla.

Figura 33 Pantalla






1 Pantalla numérica: valores medidos u opciones de menú	4 Icono de menú: el instrumento está en el modo menú.
2 Icono de rango: rango o parámetro seleccionado	5 Icono de ajuste de la calibración: la calibración predeterminada de fábrica se ha ajustado o se ha introducido una curva de calibración definida por el usuario. Consulte la versión ampliada del manual del usuario disponible en la página web del fabricante.
3 Valor de rango: rango(s) o parámetros	6 Icono de batería baja: el nivel de batería está al 10%. Parpadea cuando el nivel de la batería es demasiado bajo para completar las mediciones.

Funcionamiento

Configuración del instrumento

1. Pulse ☰.
2. Pulse □ para desplazarse por las opciones del menú. Pulse ✓ para seleccionar una opción.

Opción	Descripción
SEL (Selección)	Establece el rango de medición o el parámetro. Pulse ✓ para alternar entre los rangos de medición o los parámetros.

Opción	Descripción
00:00	Establece la hora en formato de 24 horas (hh:mm). Pulse ✓ para cambiar la hora. Pulse  para cambiar el primer dígito y, a continuación, ✓ para pasar al dígito siguiente.
rCL (Recuperar)	Muestra las 10 últimas mediciones registradas. Pulse ✓ para mostrar las mediciones grabadas (01, medición más reciente; 10, medición más antigua). Pulse ✓ para navegar por las mediciones. Para seleccionar la medición por número, pulse  para seleccionar el número y, a continuación, ✓. Pulse  para salir de esta opción.
SCA (Ajuste de calibración estándar)	Consulte la versión ampliada del manual del usuario disponible en la página web del fabricante.

- Pulse  para volver al modo de medición.

Realización de una prueba

▲ ADVERTENCIA





Peligro por exposición a productos químicos. Respete los procedimientos de seguridad del laboratorio y utilice el equipo de protección personal adecuado para las sustancias químicas que vaya a manipular. Consulte los protocolos de seguridad en las hojas de datos de seguridad actuales (MSDS/SDS).

Estos son los pasos de medición básicos necesarios para realizar una prueba. Consulte el método aplicable para llevar a cabo una prueba específica.

- Seleccione el parámetro o el rango de medición aplicable. Consulte la [Configuración del instrumento](#) en la página 83.
- Prepare el blanco según el documento del método. Asegúrese de utilizar el tamaño de cubeta de muestra correcto. Aclare la cubeta de muestra y la tapa con el blanco antes de llenar la cubeta.
- Cierre la cubeta de muestra y limpie la superficie de las ópticas con un paño sin de pelusas.
- Introduzca la cubeta del blanco de muestra en el alojamiento de cubetas. Asegúrese de colocar la cubeta del blanco de muestra en

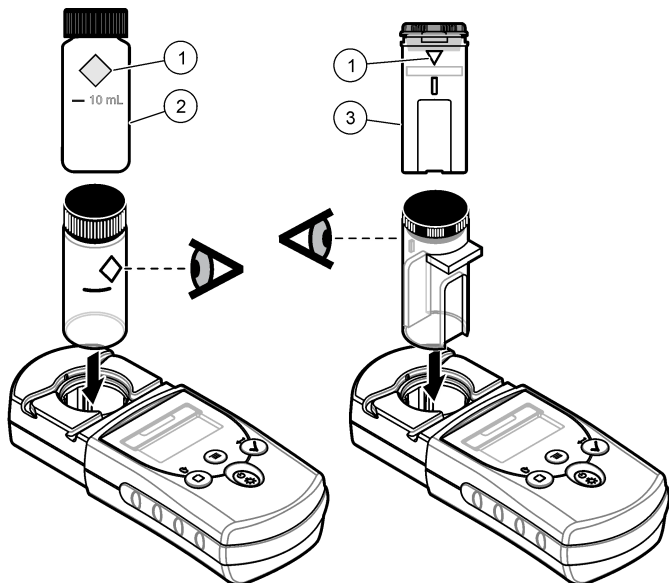
la orientación correcta y adecuada para que los resultados sean aceptables y precisos. Consulte la [Figura 34](#).

- Coloque la tapa del instrumento sobre el alojamiento de cubetas. Consulte la [Figura 35](#).
- Pulse  para poner el instrumento a cero. La pantalla muestra "0,000" o el grado de resolución que se haya seleccionado previamente.
- Prepare la muestra. Enjuague la cubeta de muestra y la tapa con la muestra tres veces antes de llenar la cubeta. Agregue los reactivos como se especifica en el documento del método.
- Cierre la cubeta de la muestra y limpie las superficies de las ópticas con un paño sin pelusas..
- Coloque la muestra en el alojamiento de cubetas. Asegúrese de colocar la cubeta de la muestra en la orientación correcta y adecuada para que los resultados sean aceptables y precisos. Consulte la [Figura 34](#).
- Coloque la tapa del instrumento sobre el alojamiento de cubetas. Consulte la [Figura 35](#).
- Pulse . En la pantalla se mostrarán los resultados en unidades de concentración o absorbancia.

Nota: El resultado parpadea si es inferior o superior al rango del instrumento.

- Retire la muestra preparada del alojamiento de cubetas.
- Vacíe y aclare la cubeta de muestra inmediatamente. Aclare la cubeta de muestra y la tapa con agua desionizada.

Figura 34 Orientación de la cubeta de muestra

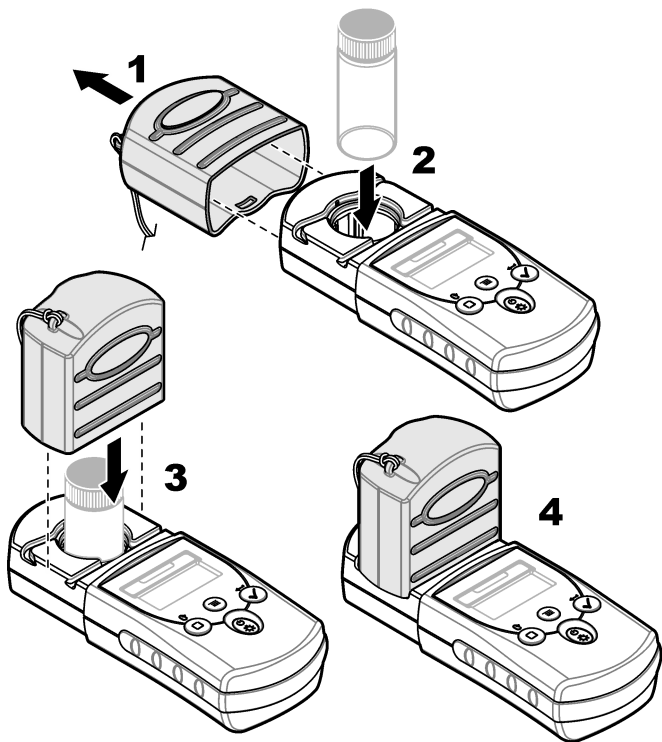


1 Marca de orientación

2 Cubeta de muestra
de 25 mm (10 ml)

3 Cubeta de muestra
de 1 cm (10 ml)

Figura 35 Coloque la tapa del instrumento sobre el alojamiento de cubetas



Recuperación de las mediciones registradas

Consulte la opción "rCL (Recuperar)" en [Configuración del instrumento](#) en la página 83.

Mantenimiento

⚠ PRECAUCIÓN



Peligros diversos. Sólo el personal cualificado debe realizar las tareas descritas en esta sección del documento.

AVISO

No desmonte el instrumento para el mantenimiento. Si es necesario limpiar o reparar los componentes internos, póngase en contacto con el fabricante.

Limpieza del instrumento

Limpie el exterior del instrumento con un paño húmedo y una solución jabonosa suave y, a continuación, seque el instrumento.

Limpiar las cubetas de muestra

⚠ PRECAUCIÓN



Peligro por exposición a productos químicos. Respete los procedimientos de seguridad del laboratorio y utilice el equipo de protección personal adecuado para las sustancias químicas que vaya a manipular. Consulte los protocolos de seguridad en las hojas de datos de seguridad actuales (MSDS/SDS).



⚠ PRECAUCIÓN



Peligro por exposición a productos químicos. Deshágase de los productos químicos y los residuos de acuerdo con las normativas locales, regionales y nacionales.

La mayoría de los detergentes de laboratorio se usan en concentraciones recomendadas. El uso de los detergentes neutros, como el Liquinox, es más seguro cuando se necesita limpiar regularmente. Para disminuir el tiempo de limpieza, aumente la temperatura o use un baño ultrasónico. Para completar la limpieza, enjuague varias veces con agua desionizada y deje que la cubeta de muestra se seque.

Las cubetas de muestras también se pueden limpiar con ácido después de enjuagar bien con agua desionizada.



Nota: Siempre utilice ácido para limpiar las cubetas de muestras que se hayan utilizado para pruebas de metal de bajo nivel.

Los métodos de limpieza especial son necesarios para procedimientos individuales. Al utilizar un cepillo para limpiar las cubetas de muestras, tenga especial cuidado de no rayar la superficie interior de las mismas.

Cambio de las pilas

Sustituya las pilas cuando el nivel de la batería sea bajo. Consulte la [Instalación de las pilas](#) en la página 79.

Solución de problemas

Error	Descripción	Solución
E-0	No hay cero	En el modo de calibración del usuario, se ha medido una solución estándar antes de establecer el cero del instrumento. Mida una solución de blanco para establecer el instrumento a cero.
E-1	Error en la luz ambiente ¹	En el alojamiento de cubetas hay luz ambiente. Asegúrese de que la tapa del instrumento está totalmente colocada sobre el alojamiento de cubetas.
E-2	Error de LED ¹	El LED (fuente de luz) no está regulado. Cambie las pilas. Compruebe que el LED del alojamiento de cubetas se ilumina cuando se pulsa  o  .
E-3	Error de ajuste estándar	<ul style="list-style-type: none">• El valor medido de la solución estándar es superior a los límites de ajuste. Prepare una solución estándar nueva.• La solución estándar está fuera del rango de concentración que se puede utilizar para el ajuste de la calibración estándar. Prepare una solución estándar con un valor igual o aproximado a las concentraciones recomendadas para cada proceso.• Asegúrese de que la concentración de la solución estándar se ha introducido correctamente.

Error	Descripción	Solución
E-6	Error de Abs	El valor de absorbancia no es correcto o la curva de calibración introducida por el usuario tiene menos de dos puntos. Vuelva a introducir o a medir un valor de absorbancia.
E-7	Error de valor estándar	La concentración de la solución estándar es igual a otra concentración de solución estándar que ya se ha introducido en la curva de calibración definida por el usuario. Indique la concentración estándar correcta.
E-9	Error de flash	El instrumento no puede guardar datos.
Parpadeos en la lectura	La lectura es superior o inferior al rango del instrumento. ²	Si la lectura es inferior al rango del instrumento, asegúrese de que la tapa del instrumento está totalmente colocada sobre el alojamiento de cubetas. Mida una solución de blanco. Si la lectura del blanco no es cero, vuelva a establecer el instrumento en cero.
		Si la lectura es superior al rango del instrumento, compruebe que no hay bloqueos luminosos en el alojamiento de cubetas. Diluya la muestra. Repita la prueba.
		En los programas calibrados de fábrica, los valores de máximo y mínimo siempre igualan los valores calibrados de fábrica y no pueden modificarse.

- 1 Cuando se produce un error E-1 o E-2 durante una medición, en la pantalla aparecerá “_.”. La posición decimal depende del proceso químico. Si se produce un error E-1 o E-2 mientras el instrumento se establece a cero, vuelva a establecerlo.
- 2 El valor de parpadeo es un 10% por encima del límite del rango de la prueba.

Piezas de repuesto

▲ ADVERTENCIA



Peligro de lesión personal. El uso de piezas no aprobadas puede causar lesiones personales, daños al instrumento o un mal funcionamiento del equipo. Las piezas de repuesto que aparecen en esta sección están aprobadas por el fabricante.

Nota: Los números de producto y artículo pueden variar para algunas regiones de venta. Comuníquese con el distribuidor correspondiente o visite el sitio Web de la compañía para obtener la información de contacto.

Piezas de repuesto

Descripción	Cantidad	Referencia
Pilas alcalina AAA	4/paquete	4674300
Cable de la tapa	1	5955900
Tapa del instrumento	1	5954800
Cubeta de muestra de 25 mm (10 ml) con tapa	6/paquete	2427606
Cubeta de muestra de 1 cm (10 ml) con tapa	2/paquete	4864302

Índice

Especificações na página 92

Informação geral na página 93

Arranque na página 97

Interface do utilizador e navegação
na página 99

Funcionamento na página 101

Manutenção na página 106

Resolução de problemas
na página 107

Peças de substituição na página 109

Informação adicional

Está disponível informação adicional no website do fabricante.

Especificações

As especificações podem ser alteradas sem aviso prévio.

Especificação	Detalhes
Dimensões (L x P x A)	6.1 x 3.2 x 15.2 cm (2.4 x 1.25 x 6 pol.)
Estrutura	IP67, resistente à água a profundidades de 1 m (3,3 pés) durante 30 minutos (compartimento das pilhas não incluído). Manter fora do alcance da luz solar directa.
Fonte de luz	Díodo de emissão de luz (LED)
Detector	Fotodiodo de silício
Visor	LCD com retroiluminação
Peso	0.2 kg (0.43 lb)
Nível de poluição	2
Categoria de instalação	1
Classe de protecção	3
Requisitos de energia	4 pilhas AAA; vida útil para aproximadamente 2000 análises (a utilização da retroiluminação diminui este número) Não se recomenda a utilização de pilhas recarregáveis.

Especificação	Detalhes
Ambiente de funcionamento	0 a 50 °C (32 a 122 °F); 0 a 90% de humidade relativa sem condensação
Temperatura de armazenamento	-20 a 55 °C (-7.6 a 131 °F)
Precisão fotométrica	± 0,0015 Abs
Comprimento de onda	Comprimento de onda fixo de ±2 nm, diferente para cada modelo
Largura de banda do filtro	15 nm
Amplitude de absorvância	0% a 2,5 Abs
Comprimento do percurso do recipiente de amostra	1 cm (5–10 mL), 25 mm (10 mL)
Armazenamento de dados	Últimas 10 medições
Certificações	Marcação CE
Garantia	2 anos

Informação geral

Em caso algum o fabricante será responsável por quaisquer danos directos, indirectos, especiais, acidentais ou consequenciais resultantes de qualquer incorrecção ou omissão deste manual. O fabricante reserva-se o direito de, a qualquer altura, efectuar alterações neste manual ou no produto nele descrito, sem necessidade de o comunicar ou quaisquer outras obrigações. As edições revistas encontram-se disponíveis no website do fabricante.

Informações de segurança

ATENÇÃO

O fabricante não é responsável por quaisquer danos resultantes da aplicação incorrecta ou utilização indevida deste produto, incluindo, mas não limitado a, danos directos, incidentais e consequenciais, não se responsabilizando por tais danos ao abrigo da lei aplicável. O utilizador é o único responsável pela identificação de riscos de aplicação críticos e pela instalação de mecanismos adequados para a protecção dos processos na eventualidade de uma avaria do equipamento.

Leia este manual até ao fim antes de desembalar, programar ou utilizar o aparelho. Dê atenção a todos os avisos relativos a perigos e

precauções. A não leitura destas instruções pode resultar em lesões graves para o utilizador ou em danos para o equipamento.

Certifique-se de que a protecção oferecida por este equipamento não é comprometida. Não o utilize ou instale senão da forma especificada neste manual.

Uso da informação de perigo

PERIGO

Indica uma situação de risco potencial ou eminente que, se não for evitada, resultará em morte ou lesão grave.

ADVERTÊNCIA

Indica uma situação de perigo potencial ou eminente que, caso não seja evitada, poderá resultar na morte ou em ferimentos graves.

AVISO

Indica uma situação de risco potencial, que pode resultar em lesão ligeira a moderada.

ATENÇÃO

Indica uma situação que, caso não seja evitada, poderá causar danos no instrumento. Informação que requer ênfase especial.

Avisos de precaução

Leia todos os avisos e etiquetas do instrumento. A sua não observação pode resultar em lesões para as pessoas ou em danos para o aparelho. Um símbolo no aparelho é referenciado no manual com uma frase de precaução.



Quando encontrar este símbolo no instrumento, isto significa que deverá consultar o manual de instruções para obter informações sobre o funcionamento do instrumento e/ou de segurança.



O equipamento eléctrico marcado com este símbolo não pode ser eliminado nos sistemas europeus de recolha de lixo doméstico e público. Devolva os equipamentos antigos ou próximos do final da sua vida útil ao fabricante para que os mesmos sejam eliminados sem custos para o utilizador.

Certificação

Regulamento Canadano de Equipamentos Causadores de Interferências, IECS-003, Classe A:

Os registos de suporte dos testes estão na posse do fabricante.

Este aparelho de Classe A obedece a todos os requisitos dos Regulamentos Canadianos de Equipamentos Causadores de Interferências.

Cet appareil numérique de classe A répond à toutes les exigences de la réglementation canadienne sur les équipements provoquant des interférences.

Parte 15 das Normas FCC, Limites da Classe “A”

Os registos de suporte dos testes estão na posse do fabricante. Este aparelho está conforme com a Parte 15 das Normas FCC. O funcionamento está sujeito às duas condições seguintes:

1. O equipamento não provoca interferências nocivas.
2. O equipamento deve aceitar qualquer interferência recebida, incluindo interferências susceptíveis de determinar um funcionamento indesejado.

Alterações ou modificações efectuadas nesta unidade que não sejam expressamente aprovadas pela entidade responsável pela conformidade podem retirar ao utilizador a legitimidade de usar o aparelho. Este equipamento foi testado e considerado conforme relativamente aos limites para os dispositivos digitais de Classe A, de acordo com a Parte 15 das Normas FCC. Estes limites destinam-se a conferir uma protecção razoável contra interferências nocivas quando o equipamento é operado em ambiente comercial. Este equipamento gera, utiliza e pode irradiar energia de radiofrequência e, se não for instalado e utilizado em conformidade com o manual de instruções, poderá provocar interferências nocivas com comunicações por rádio. É provável que a utilização deste equipamento numa zona residencial provoque interferências nocivas. Neste caso, o utilizador deverá corrigi-las às suas próprias expensas. As técnicas a seguir podem ser utilizadas para diminuir os problemas de interferência:

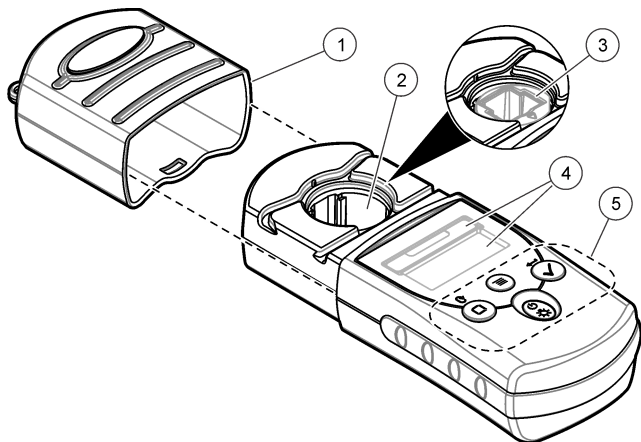
1. Afaste o equipamento do dispositivo que está a receber a interferência.
2. Reposicione a antena de recepção do dispositivo que está a receber a interferência.
3. Experimente combinações das sugestões anteriores.

Vista geral do produto

Este instrumento é um fotómetro de filtro portátil utilizado para realizar análises à água. Consulte a [Figura 36](#). Este instrumento foi configurado na fábrica para efectuar medições de um ou dois parâmetros específicos. Este instrumento foi calibrado na fábrica. Não necessita de ser calibrado pelo utilizador.

Nota: *Este instrumento não foi avaliado relativamente a medições de cloro e de clorâmidas em aplicações clínicas nos EUA.*

Figura 36 Visão geral do instrumento



1 Tampa do instrumento	3 Suporte do recipiente com adaptador de recipiente de 1 cm ¹	5 Teclado
2 Suporte do recipiente	4 Visor	

¹ Instalado de fábrica em alguns modelos

Arranque

Instalação das pilhas

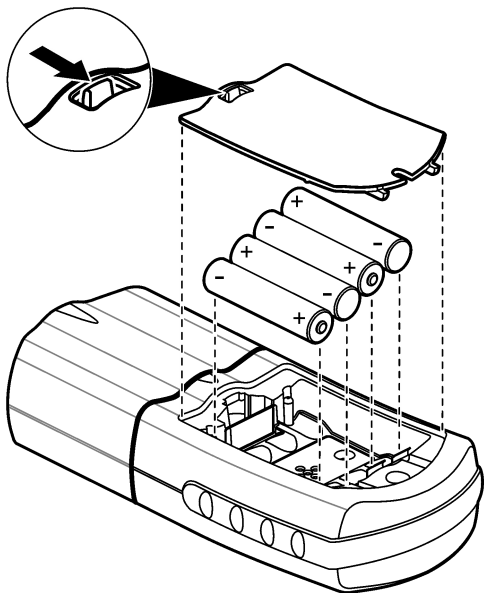
▲ ADVERTÊNCIA



Perigo de explosão. A instalação indevida das pilhas pode provocar a libertação de gases explosivos. Certifique-se de que as pilhas correspondem ao tipo de produto químico aprovado e de que as insere na orientação correcta. Não misture pilhas novas com pilhas usadas.

Coloque as pilhas tal como apresentado na [Figura 37](#).

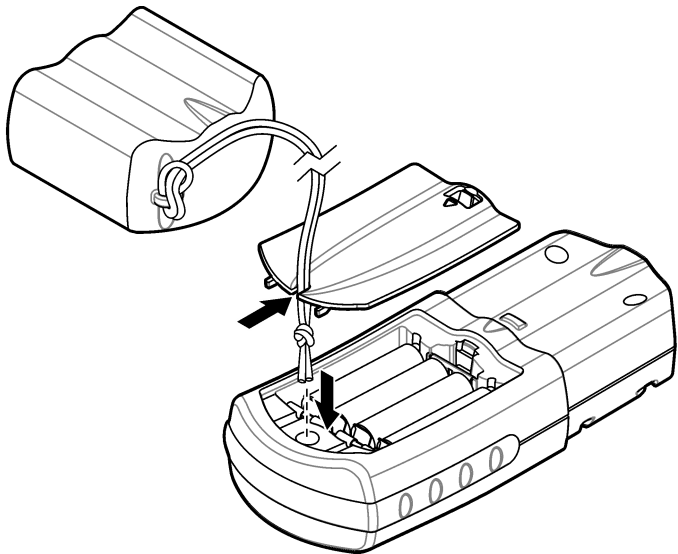
Figura 37 Instalação das pilhas



Instalação do cabo da tampa

Prenda o cabo da tampa para evitar perder a tampa do instrumento.
Consulte a [Figura 38](#).

Figura 38 Instalação do cabo da tampa

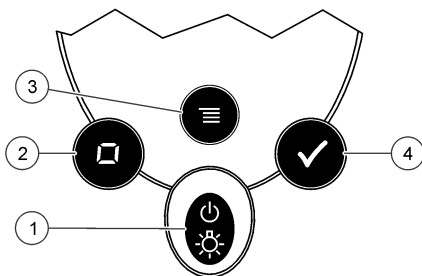


Interface do utilizador e navegação

Descrição do teclado

A [Figura 39](#) apresenta o teclado e indica as respectivas funções.

Figura 39 Teclado



<p>1 Tecla Alimentação/Retroiluminação Permite ligar e desligar o instrumento. Mantenha a tecla premida durante 1 segundo para ligar ou desligar a retroiluminação.</p>	<p>3 Tecla menu: Permite entrar e sair do modo de menu.</p>
<p>2 Tecla Zero/Deslocação Repõe o instrumento a zero e permite a navegação pelos números e as opções do menu</p>	<p>4 Tecla Ler/Enter Permite iniciar uma medição da amostra, seleccionar uma opção de menu e mover o cursor para o dígito seguinte</p>

Descrição do ecrã

A [Figura 40](#) apresenta os valores e os ícones apresentados no ecrã.

Figura 40 Visor



1 Visor numérico: Valores medidos ou opções do menu	4 Ícone de menu: O instrumento está no modo de menu.
2 Ícone de amplitude: amplitude ou parâmetro seleccionado	5 Ícone de calibração ajustada: A calibração predefinida de fábrica foi ajustada ou foi introduzida uma curva de calibração pelo utilizador. Consulte a versão completa do manual do utilizador no website do fabricante.
3 Valor da amplitude: amplitude(s) ou parâmetros	6 Ícone de pilhas fracas: O nível das pilhas encontra-se a 10%. Fica intermitente quando o nível das pilhas é demasiado baixo para completar as medições.

Funcionamento



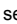
Configuração do instrumento

1. Prima
2. Prima para navegar pelas opções do menu. Prima para seleccionar uma opção.

Opção	Descrição
-------	-----------

SEL	Define o parâmetro ou a amplitude de medição. Prima para alternar entre o parâmetro ou as amplitudes de medição.
------------	---

Opção Descrição

- 00:00** Define a hora no formato de 24 horas (hh:mm). Prima ✓ para alterar a hora. Prima  para alterar o primeiro dígito e, em seguida, ✓ para passar para o dígito seguinte.
- rCL** Apresenta as últimas 10 medições gravadas. Prima ✓ para que as medições gravadas sejam apresentadas (01—medição mais recente 10—medição mais antiga). Prima ✓ para se deslocar através das medições. Para seleccionar uma medição por número, prima  para seleccionar o número e, em seguida, ✓. Prima  para sair desta opção.
- SCA** Consulte a versão completa do manual do utilizador no website do fabricante.

3. Prima  para voltar ao modo de medição.

Realize uma análise

ADVERTÊNCIA



Perigo de exposição a produtos químicos. Siga os procedimentos de segurança do laboratório e utilize todo o equipamento de protecção pessoal adequado aos produtos químicos manuseados. Consulte as fichas de dados sobre segurança de materiais (MSDS/SDS) para protocolos de segurança.



Em seguida são apresentados os passos de medição básicos necessários para realizar uma análise. Consulte o método aplicável para executar um teste específico.

1. Selecciona o parâmetro ou amplitude de medição aplicável. Consulte a [Configuração do instrumento](#) na página 101.
2. Prepare o vazio de acordo com o documento do método. Certifique-se de que utiliza o tamanho correcto de recipiente de amostra. Enxagúe a tampa e o recipiente de amostra com a amostra vazia antes de encher o recipiente de amostra.
3. Feche o recipiente de amostra e limpe as superfícies ópticas do recipiente com um pano sem pêlos.
4. Introduza o recipiente de amostra vazio no suporte do recipiente. Certifique-se de que instala o recipiente de amostra vazio na

posição correcta e de modo consistente para que os resultados sejam repetíveis e exactos. Consulte [Figura 41](#).



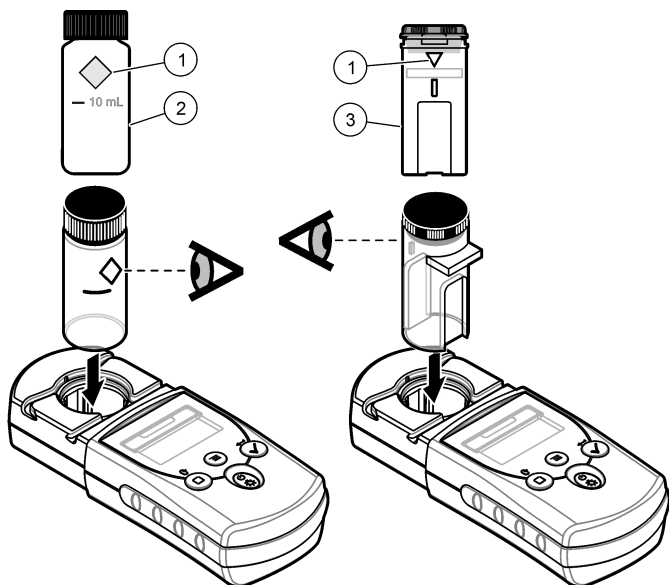
5. Instale a tampa do instrumento sobre o suporte do recipiente. Consulte [Figura 42](#).
6. Prima  para definir o instrumento para zero. O visor apresenta "0.000" ou o grau de resolução que foi anteriormente seleccionado.
7. Prepare a amostra. Enxagúe três vezes a tampa e o recipiente de amostra com a amostra antes de encher o recipiente de amostra. Adicione reagentes conforme especificado pelo documento do método.
8. Feche o recipiente de amostra e limpe as superfícies ópticas do recipiente com um pano sem pêlos..
9. Introduza a amostra no suporte do recipiente. Certifique-se de que instala o recipiente de amostra na posição correcta e de modo consistente para que os resultados sejam repetíveis e exactos. Consulte [Figura 41](#).
10. Instale a tampa do instrumento sobre o suporte do recipiente. Consulte [Figura 42](#).
11. Prima . O visor apresenta os resultados em unidades de concentração ou absorvância.
Nota: O resultado é apresentado de forma intermitente, caso seja inferior ou superior à amplitude do instrumento.
12. Retire a amostra preparada do suporte do recipiente.
13. Esvazie e enxagúe de imediato o recipiente de amostra. Enxagúe três vezes a tampa e o recipiente de amostra com água desionizada.

Figura 41 Orientação do recipiente de amostra

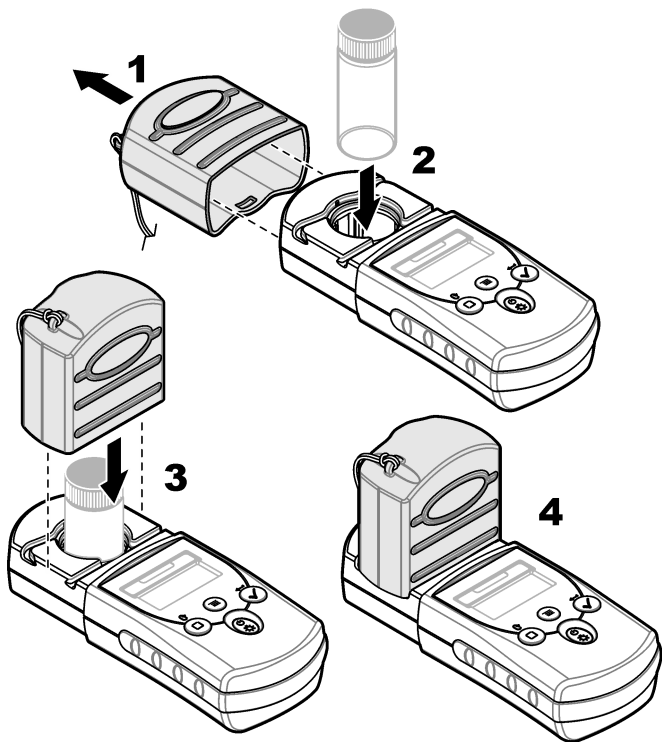


1 Marca de orientação

2 Recipiente de amostra, 25 mm (10 mL)

3 Recipiente de amostra, 1 cm (10 mL)

Figura 42 Instalação da tampa do instrumento sobre o suporte do recipiente



Apresentação das medições guardadas

Consulte a opção "rCL" na [Configuração do instrumento](#) na página 101.

Manutenção

⚠ AVISO



Vários perigos. Apenas pessoal qualificado deverá realizar as tarefas descritas nesta secção do documento.

ATENÇÃO

Não desmonte o instrumento para proceder à manutenção. Se for necessário limpar ou reparar os componentes internos, contacte o fabricante.

Limpeza do produto

Limpe a parte exterior do instrumento com um pano humedecido e uma solução de detergente suave e depois seque o instrumento.

Limpeza dos recipientes de amostra

⚠ AVISO



Perigo de exposição a produtos químicos. Siga os procedimentos de segurança do laboratório e utilize todo o equipamento de protecção pessoal adequado aos produtos químicos manuseados. Consulte as fichas de dados sobre segurança de materiais (MSDS/SDS) para protocolos de segurança.



⚠ AVISO



Perigo de exposição a produtos químicos. Elimine os produtos químicos e os resíduos de acordo com as regulamentações locais, regionais e nacionais.

A maioria dos detergentes de laboratório são utilizados com as concentrações recomendadas. Os detergentes neutros, como o Liquinox, são mais seguros quando é necessária uma limpeza regular. Para diminuir os tempos de limpeza, aumente a temperatura ou utilize um banho de ultrassons. Para terminar a limpeza, enxague algumas vezes com água desionizada e, em seguida, deixe o recipiente de amostra secar ao ar.

A limpeza dos recipientes de amostra também pode ser feita com ácido, seguido de um enxaguamento por completo com água desionizada.


Nota: Utilize sempre ácido para lavar os recipientes de amostra que tenham sido usados para testes de metal de baixo nível

Certos procedimentos requerem métodos de limpeza especiais. Se for utilizada uma escova para limpar os recipientes de amostra, é necessário ter cuidado adicional para evitar riscar as superfícies interiores dos recipientes de amostra.

Substituir as pilhas

Substitua as pilhas quando o nível de potência das mesmas se encontrar demasiado baixo. Consulte a [Instalação das pilhas](#) na página 97.

Resolução de problemas

Erro	Descrição	Solução
E-0	Não a zero	Foi medida uma solução padrão, no modo de calibração pelo utilizador, antes de o valor zero do instrumento ser definido. Meça uma solução de vazio para definir o instrumento para zero.
E-1	Erro de iluminação ambiente ¹	Existe iluminação ambiente no suporte do recipiente. Certifique-se de que a tampa do instrumento se encontra completamente instalada sobre o suporte do recipiente.
E-2	Erro do LED ¹	O LED (fonte de iluminação) está desregulado. Substituir as pilhas. Certifique-se de que o LED existente no suporte do recipiente acende quando se prime ✓ ou  .

Erro	Descrição	Solução
E-3	Erro de ajuste padrão	<ul style="list-style-type: none"> • O valor medido da solução padrão é superior aos limites de ajuste. Prepare uma solução padrão nova. • A solução padrão não se encontra dentro da amplitude de concentração que pode ser utilizada para o ajuste da calibração padrão. Prepare uma solução padrão com um valor dentro ou próximo das concentrações recomendadas indicadas no procedimento. • Certifique-se de que a concentração da solução padrão é correctamente introduzida.
E-6	Erro de Abs	O valor de absorvância não se encontra correcto ou a curva de calibração introduzida pelo utilizador possui menos de dois pontos. Introduza ou meça novamente o valor de absorvância.
E-7	Erro de valor padrão	A concentração de solução padrão é igual a outra concentração de solução padrão já introduzida na curva de calibração introduzida pelo utilizador. Introduza a concentração padrão correcta.
E-9	Erro intermitente	O instrumento não consegue guardar os dados.

Erro	Descrição	Solução
Intermitências de leitura	A leitura é superior ou inferior à amplitude do instrumento. ²	Se a leitura for superior à amplitude do instrumento, certifique-se de que a tampa do instrumento se encontra completamente instalada sobre o suporte do recipiente. Meça uma amostra de vazio. Se a leitura da amostra de vazio não for zero, defina novamente o instrumento para zero.
		Se a leitura tiver um valor superior à amplitude do instrumento, verifique se existe algum bloqueio de iluminação no o suporte do recipiente. Dilua a amostra. Volte a realizar a análise.
		Para programas calibrados em fábrica, os valores máximos e mínimos são sempre iguais aos valores calibrados em fábrica e não podem ser alterados.

- ¹ Quando ocorre um erro E-1 ou E-2 numa medição, o visor apresenta “_._.”. A casa decimal depende da composição química. Se ocorrerem os erros E-1 ou E-2 durante a definição para zero do instrumento, defina novamente o instrumento para zero.
- ² O valor intermitente será de 10% acima do limite superior de amplitude para a análise.

Peças de substituição

▲ ADVERTÊNCIA



Perigo de ferimentos. A utilização de peças não aprovadas poderá causar ferimentos, danos no instrumento ou avarias no equipamento. As peças de substituição mencionadas nesta secção foram aprovadas pelo fabricante.

Nota: Os números do Produto e Artigo podem variar consoante as regiões de venda. Para mais informações de contacto, contacte o distribuidor apropriado ou consulte o site web da empresa.

Peças de substituição

Descrição	Quantidade	Item n.º
Pilhas AAA, alcalinas	4/pkg	4674300
Cabo da tampa	1	5955900
Tampa do instrumento	1	5954800
Recipiente de amostra, 25 mm (10 mL), com tampas	6/pkg	2427606
Recipiente de amostra, 1 cm (10 mL), com tampas	2/pkg	4864302

Obsah

[Technické údaje](#) na straně 111

[Obecné informace](#) na straně 112

[Uvedení do provozu](#) na straně 115

[Uživatelské rozhraní a navigační tlačítka](#) na straně 117

[Provoz](#) na straně 119

[Údržba](#) na straně 124

[Řešení problémů](#) na straně 125

[Náhradní díly](#) na straně 126

Doplňující informace

Doplňující informace jsou k dispozici na webových stránkách výrobce.

Technické údaje

Technické údaje podléhají změnám bez předchozího upozornění.

Technické parametry	Podrobnosti
Rozměry (šířka × hloubka × výška)	6,1 x 3,2 x 15,2 cm
Kryt	IP67, vodotěsný do hloubky 1 m po dobu 30 minut (neplatí pro prostor na baterie). Chraňte před přímým slunečním světlem.
Zdroj světla	Dioda emitující světlo (LED)
Detektor	Křemíková fotodioda
Displej	LCD s podsvícením
Hmotnost	0,2 kg
Stupeň znečištění	2
Instalační kategorie	I
Ochranná třída	3
Požadavky na napájení	4 baterie AAA; přibližná životnost 2000 testů (použití podsvícení toto číslo snižuje) Použití dobíjecích baterií není doporučeno.
Provozní prostředí	0 až 50 °C, relativní vlhkost 0 až 90 %, bez kondenzace
Skladovací teplota	-20 až 55 °C
Fotometrická přesnost	± 0,0015 Abs

Technické parametry	Podrobnosti
Vlnová délka	Pevná vlnová délka ± 2 nm, odlišná pro každý model
Šířka pásma filtru	15 nm
Rozsah absorbance	0 až 2,5 Abs
Délka dráhy světla kvety na vzorek	1 cm (5–10 ml), 25 mm (10 ml)
Ukládání dat	Posledních 10 měření
Certifikáty	Značka CE
Záruka	2 roky

Obecné informace

Výrobce není v žádném případě zodpovědný za nepřímé, zvláštní, náhodné či následné škody, které jsou výsledkem jakékoli chyby nebo opomenutí v této příručce. Výrobce si vyhrazuje právo provádět v této příručce a výrobcích v ní popisovaných změny, a to kdykoliv, bez předchozích oznámení či jakýchkoli následných závazků. Revidovaná vydání jsou dostupná na internetových stránkách výrobce.

Bezpečnostní informace

UPOZORNĚNÍ

Výrobce neodpovídá za škody způsobené nesprávnou aplikací nebo nesprávným použitím tohoto produktu včetně (nikoli pouze) přímých, náhodných a následných škod a zřídá se odpovědnosti za takové škody v plném rozsahu, nakolik to umožňuje platná legislativa. Uživatel je výhradně zodpovědný za určení kritických rizik aplikace a za instalaci odpovídajících mechanismů ochrany procesů během potenciální nesprávné funkce zařízení.

Před vybalením, montáží a uvedením přístroje do provozu si prosím pozorně přečtete celý tento návod. Zvláštní pozornost věnujte všem upozorněním na možná nebezpečí a výstražným informacím. V opačném případě může dojít k vážným poraněním obsluhy a poškození přístroje.

Ujistěte se, že nedošlo k poškození obalu tohoto zařízení a přístroj nepoužívejte a neinstalujte jinak, než jak je uvedeno v tomto návodu.

Informace o možném nebezpečí

▲ NEBEZPEČÍ

Označuje možnou nebo bezprostředně rizikovou situaci, jež může v případě, že jí nezabráníte, vést k usmrcení nebo vážnému zranění.

▲ VAROVÁNÍ

Upozorňuje na možné nebo skryté nebezpečné situace, jež by bez vhodných preventivních opatření mohly vést k úmrtí nebo vážnému poranění.

▲ POZOR



Upozorňuje na možnou nebezpečnou situaci, jež by mohla mít za následek menší nebo mírné poranění.

UPOZORNĚNÍ

Označuje situaci, která může způsobit poškození přístroje, pokud se nezabrání jejímu vzniku. Upozorňuje na informace vyžadující zvláštní pozornost.

Výstražné symboly

Přečtěte si všechny štítky a etikety na přístroji. V opačném případě může dojít k poranění osob nebo poškození přístroje. Odkazy na symboly na přístroji naleznete v návodu spolu s výstražnou informací.

	Tento symbol, pokud je uveden na zařízení, odkazuje na provozní a/nebo bezpečnostní informace uvedené v uživatelské příručce.
	Elektrické zařízení označené tímto symbolem se nesmí likvidovat v evropských systémech domácího nebo veřejného odpadu. Staré nebo vysloužilé zařízení vraťte výrobci k bezplatné likvidaci.

Certifikace

Kanadské předpisy o zařízeních způsobujících rušení, IECS-003, Třída A:

Záznamy o testech jsou uloženy u výrobce.

Tento digitální přístroj třídy A splňuje všechny požadavky kanadských předpisů o zařízeních způsobujících rušení.

Cet appareil numérique de classe A répond à toutes les exigences de la réglementation canadienne sur les équipements provoquant des interférences.

FCC Část 15, meze třídy "A"

Záznamy o testech jsou uloženy u výrobce. Zařízení splňuje požadavky uvedené v části 15 pravidel FCC. Jeho provoz je dovolen jen při splnění následujících podmínek:

1. Zařízení nemůže způsobit škodlivé rušení.
2. Zařízení musí akceptovat veškeré přijaté rušení, včetně rušení, které může působit nežádoucí provoz.

Změny nebo úpravy tohoto zařízení, které nebyly výslovně schváleny stranou odpovědnou za vyhovění normám, mohou způsobit neplatnost oprávnění uživatele provozovat toto zařízení. Toto zařízení bylo testováno a bylo zjištěno, že vyhovuje limitům digitálního zařízení Třídy A na základě části 15 pravidel FCC. Uvedené meze byly stanoveny za účelem poskytnutí dostatečné ochrany před škodlivým rušením, je-li zařízení v provozu v komerčním prostředí. Toto zařízení vytváří, používá a může vyzařovat vysokofrekvenční energii a jestliže není instalováno a používáno v souladu s návodem k použití, může působit rušení radiových komunikací. Provoz tohoto zařízení v obytných oblastech může pravděpodobně působit škodlivé rušení. V tomto případě uživatel bude muset odstranit rušení na své vlastní náklady. Ke snížení problémů způsobených rušením lze použít následující postupy:

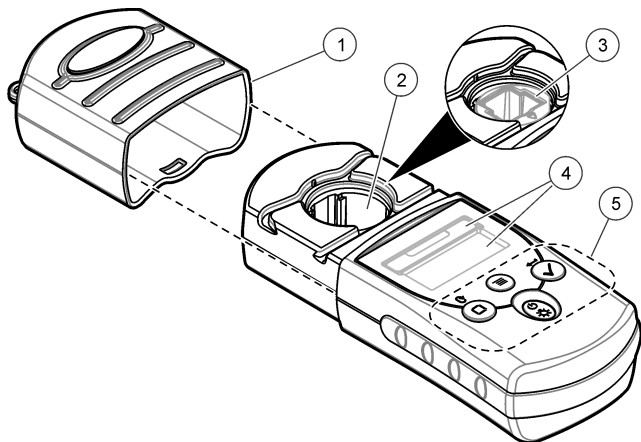
1. Zařízení posuňte dále od rušeného přístroje.
2. Změňte polohu přijímací antény zařízení, jež rušení přijímá.
3. Vyzkoušejte případně kombinaci několika uvedených opatření.

Popis výrobku

Tento přístroj je přenosný fotometr s filtrem, používaný k testování vody. Viz **Obr. 43**. Tento přístroj byl nakonfigurován ve výrobě k měření jednoho nebo dvou konkrétních parametrů. Tento přístroj byl kalibrován ve výrobě. Uživatelská kalibrace není nutná.

Poznámka: Tento přístroj nebyl vyhodnocen k měření chlóru a chloraminů ve zdravotnických aplikacích v USA.

Obr. 43 Informace o přístroji



1 Kryt přístroje	3 Držák květy s 1cm květovým adaptérem ¹	5 Klávesnice
2 Držák květy	4 Displej	

¹ Instalováno ve výrobě u některých modelů

Uvedení do provozu

Instalace baterií

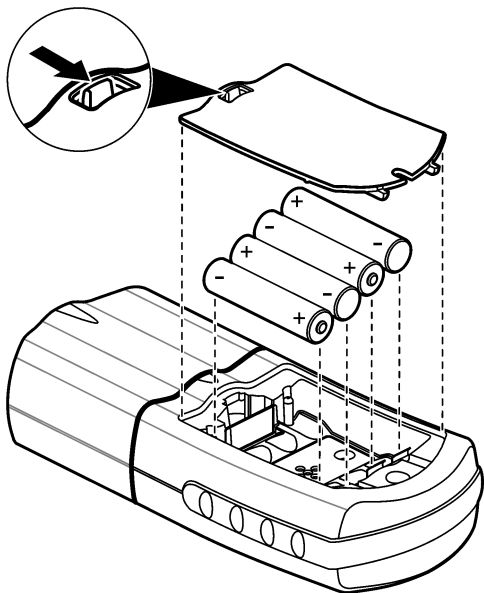
▲ VAROVÁNÍ



Nebezpečí výbuchu. Nesprávné vložení baterie může způsobit uvolňování výbušných plynů. Dbejte, aby baterie byly stejného chemického typu a aby byly vloženy se správnou orientací. Nepoužívejte současně nové a použité baterie.

Nainstalujte baterie, jak ukazuje [Obr. 44](#).

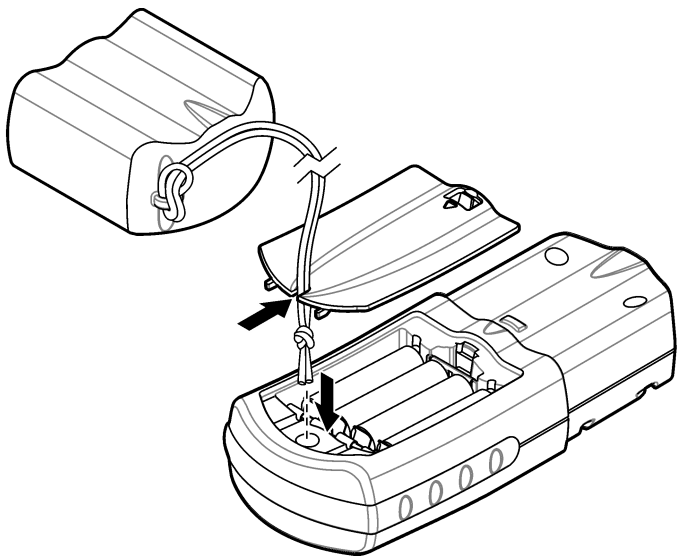
Obr. 44 Instalace baterií



Instalace šňůry krytu

Připevněte šňůru krytu, abyste zabránili ztrátě krytu přístroje. Viz [Obr. 45](#).

Obr. 45 Instalace šňůry krytu

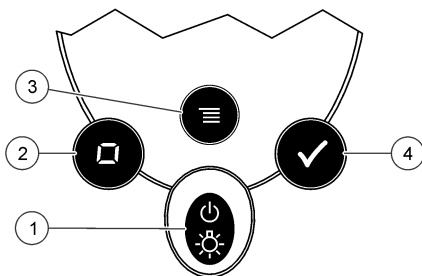


Uživatelské rozhraní a navigační tlačítka

Popis klávesnice

[Obr. 46](#) ukazuje klávesnici a funkce kláves.

Obr. 46 Klávesnice



1 Klávesa Napájení/podsvícení: Zapnutí a vypnutí přístroje. Stisknutím a podržením po dobu 1 sekundy zapnete nebo vypnete podsvícení.	3 Klávesa Nabídka: Vstup a odchod z režimu nabídky.
2 Klávesa Nulování/Procházení: Nastavení přístroje na nulu, procházení možnostmi nabídky a čísly	4 Klávesa Čist/Potvrdit: Spuštění měření vzorku, výběr možnosti nabídky, přechod kurzoru na další číslici

Popis displeje

Obr. 47 ukazuje hodnoty a ikony zobrazené na displeji.




Obr. 47 Displej




<p>1 Číselný displej: Naměřené hodnoty nebo možnosti nabídky</p>	<p>4 Ikona nabídky: Přístroj je v režimu nabídky.</p>
<p>2 Ikona rozsahu: Vybraný rozsah nebo parametr</p>	<p>5 Ikona nastavené kalibrace: Byla nastavena výchozí kalibrace z výroby nebo byla zadána uživatelsky zadaná kalibrační křivka. Podívejte se do rozšířené příručky k použití na webových stránkách výrobce.</p>
<p>3 Hodnota rozsahu: Rozsah(y) nebo parametry</p>	<p>6 Ikona vybité baterie: Úroveň nabití baterie je 10 %. Bliká, pokud je úroveň nabití baterie příliš nízká k dokončení měření.</p>



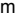
Provoz

Konfigurace přístroje

1. Stiskněte .
2. Stisknutím  procházejte možnostmi nabídky. Možnost zvolte stisknutím .

Volba Popis

SEL Nastavení rozsahu měření nebo parametru. Stisknutím  přepnete mezi rozsahy měření nebo parametry.

00:00 Nastavení času ve 24hodinovém formátu (hh:mm). Stisknutím  změňte čas. Stisknutím  změňte první číslici, poté stisknutím  přejdete k další číslici.

Volba Popis

- rCL** Zobrazení posledních 10 zaznamenaných měření. Stisknutím ✓ zobrazíte zaznamenaná měření (01 – poslední měření, 10 – nejstarší měření). Stisknutím ✓ procházejte měřeními. Chcete-li vybrat měření podle čísla, stisknutím □ vyberte číslo a poté stiskněte ✓. Stisknutím ≡ přejděte na tuto možnost.
- SCA** Podívejte se do rozšířené příručky k použití na webových stránkách výrobce.

3. Stisknutím ≡ přejděte do režimu měření.

Spuštění testu

▲ VAROVÁNÍ



Nebezpečí expozice chemikáliím. Dodržujte laboratorní bezpečnostní postupy a noste veškeré osobní ochranné pomůcky vyžadované pro manipulaci s příslušnými chemikáliemi. Viz aktuální datové bezpečnostní listy (MSDS/SDS).

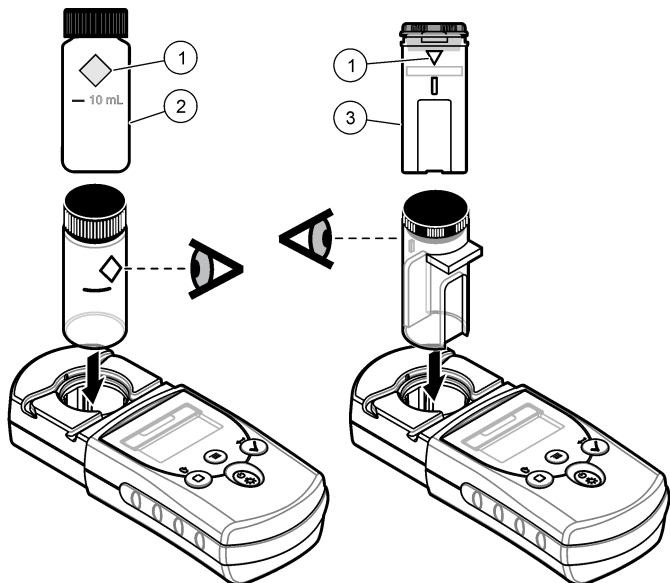


Základní kroky nezbytné ke spuštění testu jsou následující. Při spuštění konkrétního testu postupujte podle návodu k příslušné metodě.

1. Vyberte příslušný rozsah měření nebo parametr. Viz [Konfigurace přístroje](#) na straně 119.
2. Podle dokumentace k metodě připravte slepý vzorek. Zkontrolujte, zda je použita správná velikost vzorkové kyvety. Před naplněním kyvetu a víčko opláchněte slepým vzorkem.
3. Zavřete kyvetu se slepým vzorkem a očistěte optické plochy kyvety hadříkem nepouštějícím vlákna.
4. Do kyvetového držáku vložte kyvetu se slepým vzorkem. Ujistěte se, že je kyveta se slepým vzorkem správně nainstalována s odpovídající orientací, aby byly výsledky opakovatelné a přesné. Viz [Obr. 48](#).
5. Na kyvetový držák nasadte kryt přístroje. Viz [Obr. 49](#).
6. Stisknutím □ nastavte přístroj na nulu. Na displeji se zobrazí hodnota „0.000“ nebo dříve vybraný stupeň rozlišení.

7. Připravte vzorek. Před naplněním kyvety vzorkem kyvetu a víčko třikrát opláchněte vzorkem. Podle dokumentace k metodě přidejte činidla.
8. Zavřete kyvetu se vzorkem a očistěte optické plochy kyvety hadříkem nepouštějícím vlákna..
9. Do kyvetového držáku vložte kyvetu se vzorkem. Ujistěte se, že je kyveta se vzorkem správně nainstalována s odpovídající orientací, aby byly výsledky opakovatelné a přesné. Viz [Obr. 48](#).
10. Na kyvetový držák nasadte kryt přístroje. Viz [Obr. 49](#).
11. Stiskněte \checkmark . Na displeji se zobrazí výsledky v jednotkách koncentrace nebo absorbance.
***Poznámka:** Výsledek bude blikat, pokud bude výsledek nižší nebo vyšší než je rozsah přístroje.*
12. Z kyvetového držáku vyjměte kyvetu s připraveným vzorkem.
13. Kyvetu okamžitě vyprázdněte a opláchněte. Kyvetu a víčko třikrát opláchněte deionizovanou vodou.

Obr. 48 Orientace kyvety na vzorek

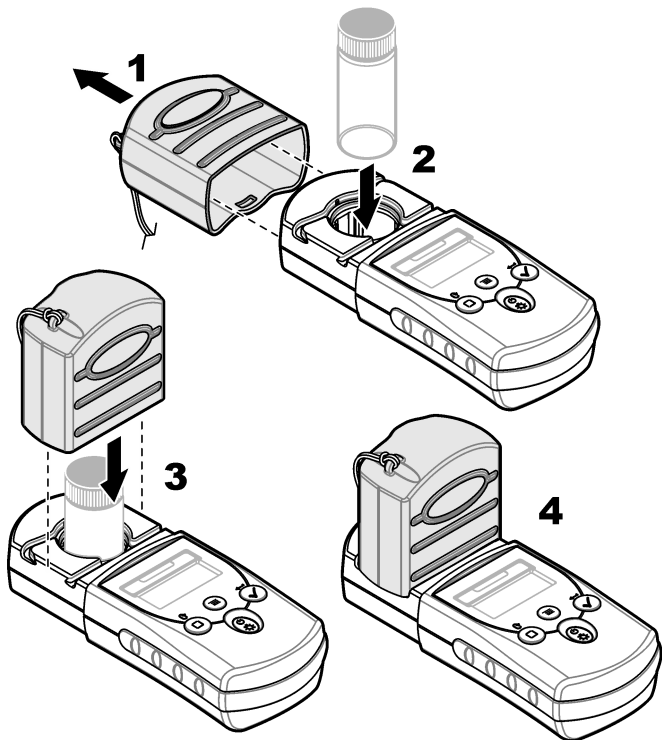


1 Značka pro orientaci

2 Vzorková kyveta,
25 mm (10 ml)

3 Vzorková kyveta,
1 cm (10 ml)

Obr. 49 Na květový držák nasadíte kryt přístroje



Zobrazení zaznamenaných měření

Viz možnost „rCL“ v části [Konfigurace přístroje](#) na straně 119.

Údržba

⚠ POZOR



Různá nebezpečí. Práce uvedené v tomto oddíle dokumentu smí provádět pouze dostatečně kvalifikovaný personál.

UPOZORNĚNÍ

Při údržbě nerozebírejte přístroj. Pokud je nutné vyčistit nebo opravit vnitřní součásti, obraťte se na výrobce.

Čištění přístroje

Vyčistěte vnější povrch přístroje vlhkým hadříkem a jemným mýdlovým roztokem a poté přístroj otřete dosucha.

Čištění kyvet na vzorky

⚠ POZOR



Nebezpečí expozice chemikáliím. Dodržujte laboratorní bezpečnostní postupy a noste veškeré osobní ochranné pomůcky vyžadované pro manipulaci s příslušnými chemikáliemi. Viz aktuální datové bezpečnostní listy (MSDS/SDS).



⚠ POZOR



Nebezpečí expozice chemikáliím. Likvidujte chemikálie a odpad v souladu s místními, regionálními a národními předpisy.

Použít lze většinu laboratorních detergentů v doporučených koncentracích. Pokud je nutné pravidelné čištění, je bezpečnější používat neutrální detergenty, jako je například Liquinox. Chcete-li zkrátit dobu čištění, zvýšte teplotu nebo použijte ultrazvukovou lázeň. Čištění zakončete několikanásobným opláchnutím deionizovanou vodou a testovací celu poté nechte uschnout na vzduchu. Testovací cely lze také čistit kyselinou a následně důkladně opláchnout deionizovanou vodou.

Poznámka: Při zkouškách s nízkými koncentracemi kovů při čištění testovacích cel vždy používejte kyselinu.

Jednotlivé postupy vyžadují speciální čisticí metody. Pokud k čištění testovacích cel používáte kartáč, dávejte pozor, aby nedošlo k poškrábání jejich vnitřních ploch.

Výměna baterií

Baterie vyměňte, jakmile bude úroveň nabití baterií nízká. Viz [Instalace baterií](#) na straně 115.

Řešení problémů

Chyba	Popis	Řešení
E-0	Bez nulové hodnoty	V režimu uživatelské kalibrace byl měřen standardní roztok před nvy nulováním přístroje. Změřením slepého roztoku přístroj vynulujte.
E-1	Chyba způsobená okolním světlem ¹	Do držáku kyvety vniká okolní světlo. Zkontrolujte, zda je na kyvetovém držáku správně nainstalovaný kryt přístroje.
E-2	Chyba LED ¹	Chyba ovládání LED (zdroje světla). Vyměňte baterie. Zkontrolujte, zda se při stisknutí <input checked="" type="checkbox"/> nebo <input type="checkbox"/> rozsvítí LED v kyvetovém držáku.
E-3	Chyba nastavení standardu	<ul style="list-style-type: none"> Naměřená hodnota standardního roztoku je vyšší než nastavené limity. Připravte čerstvý standardní vzorek. Koncentrace standardního roztoku není v rozsahu koncentrací, které mohou být použity k nastavení kalibrace standardu. Připravte standardní roztok s hodnotou koncentrace stejnou nebo přibližně stejnou, jako jsou doporučené koncentrace uvedené v proceduře. Zkontrolujte, zda je koncentrace standardního roztoku zadána správně.
E-6	Chyba absorbance	Hodnota absorbance není správná nebo uživatelsky zadaná křivka má méně než dva body. Znovu zadejte nebo změňte hodnotu absorbance.

Chyba	Popis	Řešení
E-7	Chyba hodnoty standardu	Koncentrace standardního roztoku je stejná jako koncentrace jiného standardního roztoku, která již byla zadána v uživatelsky definované křivce. Zadejte správnou koncentraci standardního roztoku.
E-9	Chyba paměti flash	Přístroj nemůže uložit data.
Odečet výsledku bliká	Odečet výsledku je vyšší nebo nižší než rozsah přístroje. ²	Pokud je odečet výsledku nižší než rozsah přístroje, zkontrolujte, zda je na kyvetovém držáku správně nainstalovaný kryt přístroje. Změřte slepý vzorek. Pokud odečet výsledku slepého vzorku není nula, znovu přístroj nastavte na nulu.
		Pokud je odečet výsledku vyšší než rozsah přístroje, zkontrolujte, zda není zakrytý zdroj světla v kyvetovém držáku. Naředte vzorek. Spusťte test znovu.
		V případě programů kalibrovaných ve výrobě se maximální a minimální hodnoty vždy rovnají hodnotám kalibrovaným ve výrobě a nelze je změnit.

- ¹ Pokud dojde k chybě E-1 nebo E-2 při měření, na displeji se zobrazí „_._.“. Desetinné místo závisí na chemickém složení. Pokud dojde k chybě E-1 nebo E-2, když je přístroj nulován, znovu přístroj vynulujte.
- ² Blikající hodnota bude o 10 % vyšší než horní limit rozsahu testu.

Náhradní díly

▲ VAROVÁNÍ



Nebezpečí poranění osob. Použití neschválených součástí může způsobit poranění osob, poškození nebo nesprávné fungování přístroje či vybavení. Náhradní díly v tomto oddíle jsou schváleny výrobcem.

Poznámka: Čísla produktů a položek se mohou v různých regionech prodeje lišit. Pokud potřebujete kontaktní informace, obraťte se na příslušného dodavatele nebo se podívejte na webové stránky společnosti.

Náhradní díly

Popis	Množství	Položka č.
Baterie AAA, alkalické	4/balení	4674300
Šňůra krytu	1	5955900
Kryt přístroje	1	5954800
Kyveta na vzorek, 25 mm (10 ml), s víčky	6/balení	2427606
Kyveta na vzorek, 1 cm (10 ml), s víčky	2/balení	4864302

Indholdsfortegnelse

[Specifikationer](#) på side 128

[side 129](#)

[Startup \(Opstart\)](#) på side 132

[Brugergrænseflade og navigation](#)
på side 134

[Betjening](#) på side 136

[Vedligeholdelse](#) på side 141

[Fejlsøgning](#) på side 142

[Reserve dele](#) på side 143

Yderligere oplysninger

Der er yderligere oplysninger på forhandlerens hjemmeside.

Specifikationer

Specifikationerne kan ændres uden varsel.

Specifikation	Detaljer
Dimensioner (B x D x H)	6.1 x 3.2 x 15.2 cm (2.4 x 1.25 x 6")
Kabinet	IP67, vandtæt ned til 1 m (3,3 fod) i 30 minutter (ikke inklusive batterirum). Skærmes fra direkte sollys.
Lyskilde	Lysafgivende diode (LED)
Detektor	Silikonfotodiode
Skærm	LCD med baggrundsbelysning
Vægt	0.2 kg (0.43 lb)
Forureningsgrad	2
Installationskategori	I
Beskyttelsesklasse	3
Strøm	4 AAA-batterier; ca. levetid på 2000 test (brug af baggrundsbelysning reducerer dette tal) Genopladelige batterier anbefales ikke.
Driftsmiljø	0 til 50 °C (32 til 122 °F), 0 til 90 % relativ luftfugtighed, ikke-kondenserende
Opbevaringstemperatur	-20 til 55 °C (-7.6 til 131 °F)
Fotometrisk præcision	± 0,0015 Abs

Specifikation	Detaljer
Bølgelængde	Fast bølgelængde ± 2 nm, forskellig for hver model
Filterbåndbredde	15 nm
Absorbansområde	0 til 2,5 Abs
Lysvej på prøvecelle	1 cm (5–10 mL), 25 mm (10 mL)
Datalagring	Seneste 10 målinger
Certificeringer	CE-mærke
Garanti	2 år

Oplysninger vedr. sikkerhed

BEMÆRKNING

Producenten er ikke ansvarlig for eventuelle skader på grund af forkert anvendelse eller misbrug af dette produkt, herunder uden begrænsning direkte skader, hændelige skader eller følgeskader, og fraskriver sig ansvaret for sådanne skader i det fulde omfang, som tillades ifølge gældende lov. Kun brugeren er ansvarlig for at identificere alvorlige risici ved anvendelsen og installere relevante mekanismer til beskyttelse af processerne i forbindelse med en eventuel fejl på udstyret.

Læs hele manualen, inden udpakning, installation eller betjening af dette udstyr. Overhold alle farehensvisninger og advarsler. Undladelse heraf kan medføre, at brugeren kommer alvorligt til skade eller beskadigelse af apparatet.

Kontroller, at den beskyttelse, som dette udstyr giver, ikke forringes. Du må ikke bruge eller installere dette udstyr på nogen anden måde end den, der er angivet i denne manual.

Brug af sikkerhedsoplysninger

⚠ FARE

Angiver en eventuel eller overhængende farlig situation, der vil medføre dødsfald eller alvorlige kvæstelser, hvis den ikke undgås.

▲ ADVARSEL

Angiver en potentiel eller umiddelbart farlig situation, som kan resultere i død eller alvorlig tilskadekomst, hvis den ikke undgås.

▲ FORSIGTIG



Indikerer en potentiel farlig situation, der kan resultere i mindre eller moderat tilskadekomst.

BEMÆRKNING

Angiver en situation, der kan medføre skade på instrumentet, hvis ikke den undgås. Oplysninger, der er særligt vigtige.

Sikkerhedsmærkater

Læs alle skilte og mærkater, som er placeret på apparatet. Der kan opstå person- eller instrumentskade, hvis forholdsreglerne ikke respekteres. I håndbogen refereres der til et symbol på instrumentet med en forholdsreglerklæring.

	Hvis dette symbol findes på instrumentet, henviser det til instruktionsmanualen vedrørende drifts- og/eller sikkerhedsoplysninger.
	Elektrisk udstyr mærket med dette symbol må, i Europa, ikke bortskaffes i sammen med husholdningsaffald eller offentligt affald. Returner gammelt eller udtjent udstyr til producenten til bortskaffelse uden gebyr.

Certificering

Canadian Radio Interference-Causing Equipment Regulation, IECS-003, Klasse A:

Producenten opbevarer understøttende testfortegnelser.

Dette Klasse A digitale apparat opfylder alle krav i the Canadian Interference-Causing Equipment Regulations.

Cet appareil numérique de classe A répond à toutes les exigences de la réglementation canadienne sur les équipements provoquant des interférences.

FCC del 15, klasse "A" grænser

Producenten opbevarer understøttende testfortegnelser. Enheden overholder Afs. 15 i FCCs regelsæt. Anvendelsen er underlagt følgende betingelser:

1. Udstyret må ikke forårsage skadelig interferens.
2. Udstyret skal acceptere modtaget interferens hvilket omfatter interferens, der kan forårsage uønsket drift.

Ændringer og modifikationer af dette udstyr, som ikke er udtrykkeligt godkendt af den part som er ansvarlig for overholdelsen, kan ophæve brugerens ret til at betjene udstyret. Dette udstyr er blevet testet og overholder grænserne for Klasse A digitalt udstyr i overensstemmelse med Afs. 15 af FCCs regelsæt. Disse grænser er designet til at yde rimelig beskyttelse mod skadelig interferens når udstyret betjenes i et kommercielt miljø. Dette udstyr genererer, bruger og kan udsende radiofrekvensenergi og kan, hvis det ikke installeres og anvendes i overensstemmelse med brugervejledningen, forårsage skadelige interferens for radiokommunikationer. Anvendelse af dette udstyr i et beboelsesområde vil sandsynligvis forårsage skadelig interferens, i hvilket tilfælde brugeren skal udbedre interferensen for egen regning. Følgende teknikker kan anvendes til at reducere problemer med interferens:

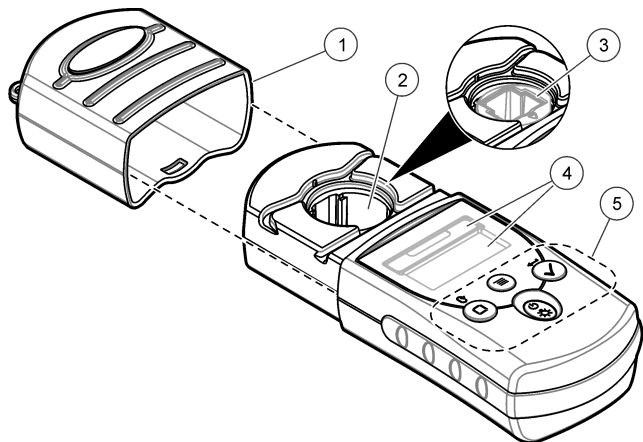
1. Flyt udstyret væk fra den enhed som modtager interferensen.
2. Indstil modtageantennen på den enhed, der modtager interferens, igen.
3. Prøv kombinationer af ovennævnte.

Produktoversigt

Dette instrument er et bærbart filterfotometer, som bruges til testning af vand. Se [Figur 50](#). Dette instrument konfigureres på fabrikken til måling af en eller to specifikke parametre. Dette instrument er kalibreret på fabrikken. Ingen brugerkalibrering er nødvendig.

BEMÆRK: Dette instrument er ikke blevet evalueret til måling af klor og kloraminer i medicinske anvendelser i USA.

Figur 50 Oversigt over Instrument



1 Instrumenthætte	3 Celleholder med 1-cm celleadapter ¹	5 Tastatur
2 Celleholder	4 Skærm	

¹ Fabriksinstalleret i visse modeller

Startup (Opstart)

Isæt batterierne

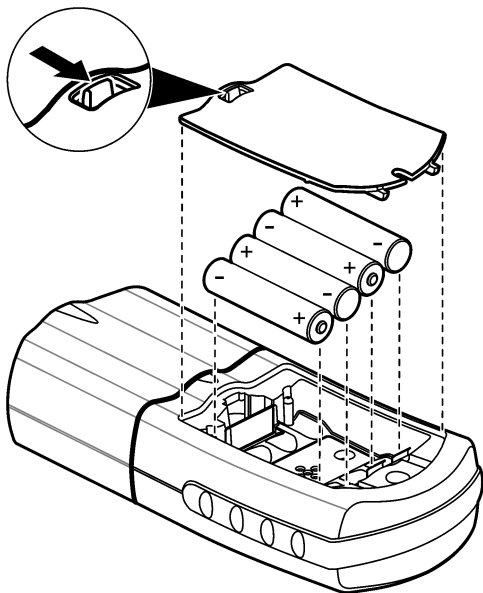
▲ ADVARSEL



Eksplodingsfare. Ved forkert isætning af batterier kan der slippe eksplosive gasser ud. Sørg for, at batterierne er af den samme godkendte kemiske type og isat i den rigtige retning. Isæt ikke nye og brugte batterier sammen.

Installer batterierne som vist i [Figur 51](#).

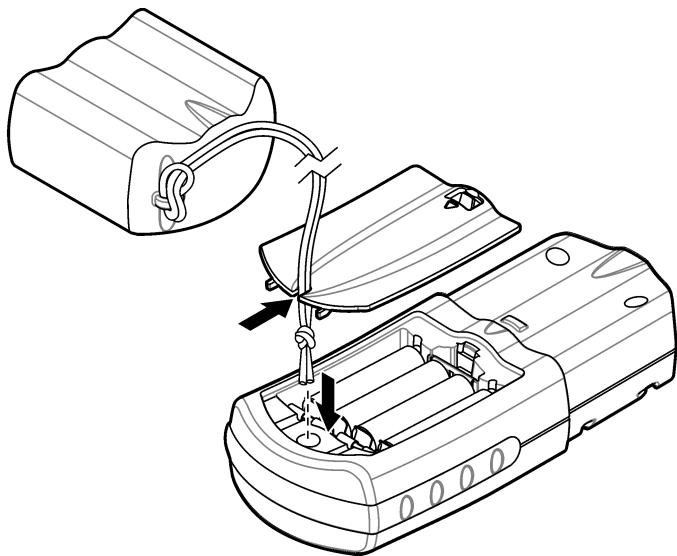
Figur 51 Isæt batterierne



Montér hættesnoren

Fastgør snoren til hæften, så instrumenthætten ikke mistes. Se [Figur 52](#).

Figur 52 Montér hættesnoren

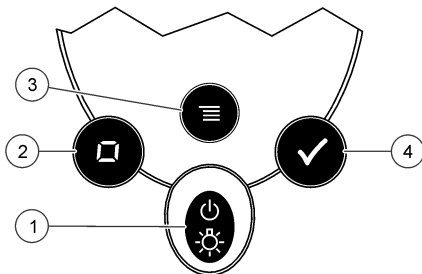


Brugergrenseflade og navigation

Beskrivelse af tastatur

[Figur 53](#) viser tastaturet og angiver tasternes funktioner.

Figur 53 Tastaur



1 Tast for tænd/sluk/baggrundsbelysning: Slår strømmen til og fra. Tryk og hold nede på denne tast nede i 1 sekund for at slå baggrundsbelysning til og fra.	3 Menutast: Åbner og forlader menuilstand.
2 Tast for nul/rulning: Indstiller instrumentet til nul, og ruller gennem menuindstillinger og -numre	4 Læs/Enter-tast: Starter en prøvemåling, vælger en menuindstilling og flytter markøren til den næste ciffer

Skærmbeskrivelse

Figur 54 viser de værdier og ikoner, der vises på displayet.

Figur 54 Skærm



1 Numerisk display: Målt værdi eller menuindstillinger	4 Menuikon: Instrumentet er i menuilstand.
2 Områdeikon: Valgt område eller parameter	5 Ikon for justeret kalibrering: Fabriksstandardkalibreringen blev justeret eller en brugerangivet kalibreringskurve blev indtastet. Se den udvidede brugervejledning på producentens webside.
3 Områdeværdi: Område(r) eller parametre	6 Ikon for batteri snart tomt: Batteriniveauet er 10 %. Blinker, når batteriniveauet er for lavt til at fuldføre målinger.



Betjening

Konfigurer instrumentet

1. Tryk på ☰.
2. Tryk på □ for at rulle gennem menuindstillingerne. Tryk på ✓ for at vælge en indstilling.

Valgmulighed	Beskrivelse
SEL	Indstiller måleområde eller -parameter. Tryk på ✓ for at skifte mellem måleområder eller -parametre.
00:00	Indstiller tiden i et 24-timers format (tt:mm). Tryk på ✓ for at ændre tidsindstillingen. Tryk på □ for at ændre det første ciffer og derefter på ✓ for at gå til det næste ciffer.

Valgmulighed Beskrivelse


- rCL** Viser de 10 seneste registrerede målinger. Tryk på ✓ for at vise de registrerede målinger (01—nyeste måling, 10—seneste måling). Tryk på ✓ for at rulle gennem målingerne. Hvis du vil vælge en måling efter nummer, skal du trykke på  for at vælge nummeret og derefter trykke på ✓. Tryk på  for at forlade denne indstilling.
- SCA** Se den udvidede brugervejledning på producentens webside.

3. Tryk på  for at vende tilbage til måletilstand.

Kør en test

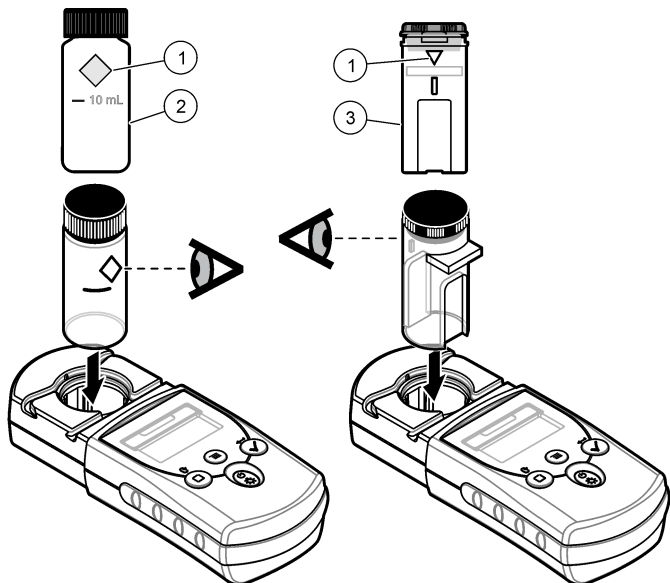
▲ ADVARSEL	
 	Fare for eksponering for kemiske stoffer. Overhold laboratoriets sikkerhedsprocedurer, og bær alt det personlige beskyttelsesudstyr, der er nødvendigt for at beskytte dig mod de kemikalier, du bruger. Se de aktuelle sikkerhedsdataark (MSDS/SDS) for sikkerhedsprotokoller.

De grundlæggende målingstrin, som er nødvendige for at køre en test, følger. Se den metode, der gælder for at køre en specifik test.

1. Vælg det relevante måleområde eller den relevante parameter. Se [Konfigurer instrumentet](#) på side 136.
2. Forbered blindprøven i overensstemmelse med metodedokumentet. Sørg for at bruge den korrekte størrelse prøvecelle. Skyl prøvecellen og hættten med blindprøven, før prøvecellen fyldes.
3. Luk kuvetten og rengør kuvettens optiske overflader med en fnugfri klud.
4. Isæt cellen med blindprøven i celleholderen. Sørg for at installere cellen med blindprøven i den korrekte og i den samme retning, herved opnås mere gentagelige og præcise målinger. Se [Figur 55](#).
5. Installer instrumenthætten over celleholderen. Se [Figur 56](#).
6. Tryk på  for at indstille instrumentets nul. Displayet viser "0.000" eller opløsningsgrad, der tidligere blev valgt.

7. Klargør prøven. Skyl prøvecellen og hættten med prøven tre gange, før prøvecellen fyldes. Tilføj reagenser, som specificeret i metodedokumentet.
8. Luk kuvetten og rengør cellens optiske overflader med en fnugfri klud.
9. Isæt prøven i celleholderen. Sørg for at installere prøvecellen i den korrekte og i den samme retning, herved opnås mere gentagelige og præcise målinger. Se [Figur 55](#).
10. Installer instrumenthætten over celleholderen. Se [Figur 56](#).
11. Tryk på ✓. Displayet viser resultaterne i koncentrationenheder eller absorbans.
***BEMÆRK:** Resultatet blinker, hvis det er mindre eller mere end instrumentets område.*
12. Fjern den klargjorte prøve fra celleholderen.
13. Tøm og skyl prøvecellen med det samme. Skyl prøvecellen og hættten tre gange med afioniseret vand.

Figur 55 Kuvetteretning

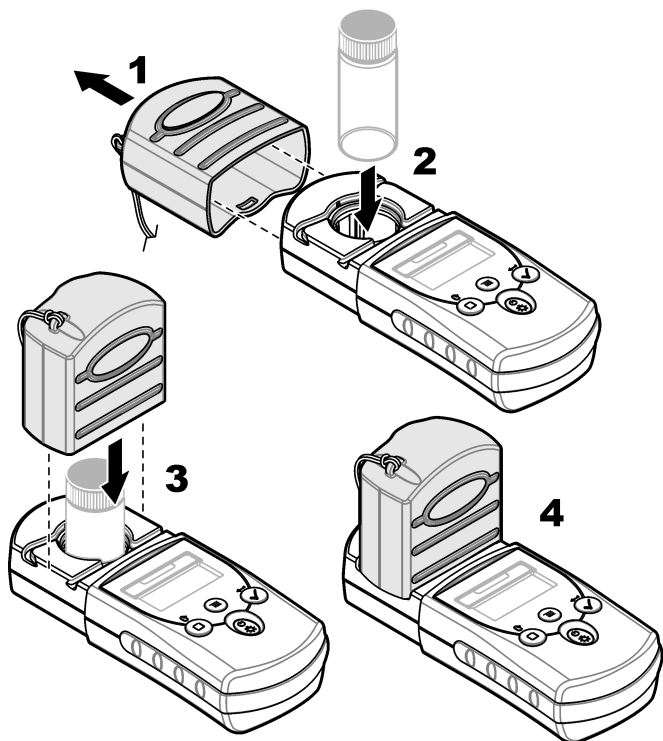


1 Orienteringsmærke

2 Prøvecelle, 25-mm
(10 mL)

3 Prøvecelle, 1-cm
(10 mL)

Figur 56 Installer instrumenthætten over celleholderen



Vis de registrerede målinger

Se indstillingen "rCL" i [Konfigurer instrumentet](#) på side 136.

Vedligeholdelse

▲ FORSIGTIG



Flere risici. Kun kvalificeret personale må udføre de opgaver, som er beskrevet i dette afsnit i dokumentet.

BEMÆRKNING

Du må ikke skille instrumentet ad ved vedligeholdelse. Kontakt producenten, hvis de interne komponenter skal rengøres eller repareres.

Rengør instrumentet

Rengør instrumentet udvendigt med en fugtig klud og en mild sæbeopløsning og tør derefter instrumentet.

Rengør kuvetterne

▲ FORSIGTIG



Fare for eksponering for kemiske stoffer. Overhold laboratoriets sikkerhedsprocedurer, og bær alt det personlige beskyttelsesudstyr, der er nødvendigt for at beskytte dig mod de kemikalier, du bruger. Se de aktuelle sikkerhedsdataark (MSDS/SDS) for sikkerhedsprotokoller.



▲ FORSIGTIG



Fare for eksponering for kemiske stoffer. Bortskaf kemikalier og affald i overensstemmelse med lokale, regionale og nationale bestemmelser.

De fleste laboratorieopløsningsmidler bruges ved anbefalede koncentrationer. Neutrale laboratorieopløsningsmidler, som f.eks. Liquinox, er mere sikre, når regelmæssig rengøring er nødvendig. For at reducere antallet af rengøringer kan du forøge temperaturerne eller bruge et ultralydsbad. For at afslutte rengøringen skal du skylle efter nogle gange med deioniseret vand og lade kuvetten lufttørre. Kuvetterne kan også rengøres med syre, fulgt af en omhyggelig skylning med deioniseret vand.

BEMÆRK: Brug altid syre til at rengøre kuvetter, der er blevet brugt til tests med lavt metalniveau.

Specielle rengøringsmetoder er nødvendige til individuelle procedurer. Når der bruges en børste til at rengøre kuvetter, skal du være ekstra forsigtig for at undgå skrammer på kuvetternes indvendige overflade.

Udskift batterierne

Udskift batterierne, når batteristrømniveauet er lavt. Se [Isæt batterierne](#) på side 132.

Fejlsøgning

Fejl	Beskrivelse	Løsning
E-0	Intet nul	I brugerkalibreringstilstand blev der målt en standardopløsning, før instrumentets nul blev indstillet. Mål en blind opløsning for at indstille instrumentet til nul.
E-1	Fejl med lys fra omgivelserne ¹	Der er lys fra omgivelserne i celleholderen. Sørg for, at the instrumenthætten er fuldt installeret over celleholderen.
E-2	LED-fejl ¹	LED'en (lyskilden) overholder ikke reglerne. Udskift batterierne. Tjek, at LED'en i celleholderen tændes, når der trykkes på <input checked="" type="checkbox"/> eller <input type="checkbox"/> .
E-3	Fejl ved standardjustering	<ul style="list-style-type: none"> • Den målte værdi for standardopløsningen er over justeringsgrænserne. Klargør en ny standard. • Standardopløsningen er ikke inden for det koncentrationsområde, som kan bruges til justering af standardkalibrering. Klargør en standard med en værdi på eller i nærheden af de anbefalede koncentrationer, som er angivet i proceduren. • Sørg for, at standardopløsningens koncentration er indtastet korrekt.
E-6	Abs-fejl	Absorbansværdien er ikke korrekt, eller den brugerindtastede kalibreringskurve har mindre end to punkter. Indstast eller mål absorbansværdien igen.

Fejl	Beskrivelse	Løsning
E-7	Fejl ved standardværdi	Standardopløsningens koncentration er lig med en anden standardopløsningens koncentration, som allerede er indtastet i den brugerindtastede kalibreringskurve. Indtast den korrekte standardkoncentration.
E-9	Fejl ved blink	Instrumentet kan ikke gemme data.
Aflæsning af blink	Aflæsningen er over eller under instrumentets område. ²	Hvis aflæsningen er mindre end instrumentområdet, skal du sørge for, at instrumenthætten er fuldt installeret over celleholderen. Mål en blindprøve Hvis aflæsningen for blindprøven ikke er nul, skal du indstille instrumentet til nul igen.
		Hvis aflæsningen er større end instrumentområdet, skal du fastslå, om der er lysblokering i celleholderen. Fortynd prøven. Udfør testen igen.
		For fabrikskalibrerede programmer er maksimum- og minimumværdierne altid lig med de fabrikskalibrerede værdier og kan ikke ændres.

- ¹ Når der opstår en E-1 eller E-2 fejl på en måling, viser displayet “_._.”. Decimalpladsen afhænger af kemien. Hvis fejlen E-1 eller E-2 indtræder, mens instrumentet er indstillet til nul, skal du indstille instrumentet til nul igen.
- ² Værdien, der blinker, er 10 % over den øvre testgrænse.

Reserve dele

ADVARSEL



Fare for personskade. Anvendelse af ikke-godkendte dele kan medføre personskade, beskadigelse af instrumentet eller fejlfunktion af udstyret. Reservedelene i dette afsnit er godkendt af producenten.

BEMÆRK: Produkt- og varenumre kan variere i visse salgsregioner. Kontakt den relevante distributør, eller se virksomhedens webside for kontaktinformation.

Reserve dele

Beskrivelse	Mængde	Varenr.
AAA-batterier, alkaline	4/pk.	4674300
Hættesnor	1	5955900
Instrumenthætte	1	5954800
Prøvecelle, 25 mm (10 mL), med hætter	6/pk.	2427606
Prøvecelle, 1 cm (10 mL), med hætter	2/pk.	4864302

Inhoudsopgave

[Specificaties](#) op pagina 145

[Algemene informatie](#) op pagina 146

[Opstarten](#) op pagina 150

[Gebruikersinterface en navigatie](#)
op pagina 151

[Bediening](#) op pagina 153

[Onderhoud](#) op pagina 158

[Problemen oplossen](#) op pagina 159

[Reserveonderdelen](#) op pagina 161

Meer informatie

Meer informatie vindt u op de website van de fabrikant

Specificaties

Specificaties kunnen zonder kennisgeving vooraf worden gewijzigd.

Specificatie	Details
Afmetingen (B x D x H)	6,1 x 3,2 x 15,2 cm (2,4 x 1,25 x 6 inch)
Behuizing	IP67, waterdicht op een diepte van 1 m (3,3 ft) gedurende 30 minuten (batterijvak niet inbegrepen). Niet blootstellen aan direct zonlicht.
Lichtbron	Light emitting diode (LED)
Detector	Siliconen fotodiode
Display	LCD met achtergrondverlichting
Gewicht	0,2 kg (0,43 lb)
Vervuilingsgraad	2
Installatiecategorie	I
Beschermingsklasse	3
Voedingseisen	4 AAA-batterijen; geschatte levensduur van 2000 tests (bij gebruik van achtergrondverlichting is dit aantal lager) Oplaadbare batterijen worden niet aanbevolen.
Bedrijfsomgeving	0 tot 50 °C (32 tot 122 °F), 0 tot 90% relatieve vochtigheid, niet-condenserend
Opslagtemperatuur	-20 tot 55 °C (-7,6 tot 131 °F)
Fotometrische precisie	± 0,0015 abs

Specificatie	Details
Golflengte	Vaste golflengte ± 2 nm, verschillend voor elk model
Bandbreedte van filter	15 nm
Absorptiebereik	0 tot 2,5 abs
Weglengte van monsterkuvet	1 cm (5–10 ml), 25 mm (10 ml)
Gegevensopslag	Laatste 10 metingen
Certificeringen	CE-markering
Garantie	2 jaar

Algemene informatie

De fabrikant kan onder geen enkele omstandigheid aansprakelijk worden gesteld voor directe, indirecte, speciale, incidentele of continue schade die als gevolg van enig defect of onvolledigheid in deze handleiding is ontstaan. De fabrikant behoudt het recht om op elk moment, zonder verdere melding of verplichtingen, in deze handleiding en de producten die daarin worden beschreven, wijzigingen door te voeren. Gewijzigde versies zijn beschikbaar op de website van de fabrikant.

Veiligheidsinformatie

LET OP

De fabrikant is niet verantwoordelijk voor enige schade door onjuist toepassen of onjuist gebruik van dit product met inbegrip van, zonder beperking, directe, incidentele en gevolgschade, en vrijwaart zich volledig voor dergelijke schade voor zover dit wettelijk is toegestaan. Uitsluitend de gebruiker is verantwoordelijk voor het identificeren van kritische toepassingsrisico's en het installeren van de juiste mechanismen om processen te beschermen bij een mogelijk onjuist functioneren van apparatuur.

Lees deze handleiding voor het uitpakken, installeren of gebruiken van het instrument. Let op alle waarschuwingen. Wanneer u dit niet doet, kan dit leiden tot ernstig persoonlijk letsel of schade aan het instrument.

Controleer voor gebruik of het instrument niet beschadigd is. Het instrument mag op geen andere wijze gebruikt worden dan als in deze handleiding beschreven.

Gebruik van gevareninformatie

▲ GEVAAR

Geeft een potentieel gevaarlijke of dreigende situatie aan die, als deze niet kan worden voorkomen, kan resulteren in dodelijk of ernstig letsel.

▲ WAARSCHUWING

Geeft een potentieel of op handen zijnde gevaarlijke situatie aan, die als deze niet wordt vermeden, kan leiden tot dood of ernstig letsel.

▲ VOORZICHTIG



Geeft een mogelijk gevaarlijke situatie aan die kan resulteren in minder ernstig letsel of lichte verwondingen.

LET OP

Duidt een situatie aan die (indien niet wordt voorkomen) kan resulteren in beschadiging van het apparaat. Informatie die speciaal moet worden benadrukt.

Waarschuwinglabels

Lees alle labels en etiketten die op het instrument zijn bevestigd. Het niet naleven van deze waarschuwingen kan leiden tot letsel of beschadiging van het instrument. In de handleiding wordt door middel van een veiligheidsvoorschrift uitleg gegeven over een symbool op het instrument.

	Dit symbool, indien op het instrument aangegeven, verwijst naar de handleiding voor bediening en/of veiligheidsinformatie.
	Elektrische apparatuur gemarkeerd met dit symbool mag niet worden afgevoerd via Europese systemen voor afvoer van huishoudelijk of openbaar afval. Oude apparatuur of apparatuur aan het einde van zijn levensduur kan naar de fabrikant worden geretourneerd voor kosteloze verwerking.

Certificering

IECS-003 certificering ten aanzien van radio-interferentie, Klasse A:

Aanvullende informatie en testresultaten zijn via de fabrikant verkrijgbaar.

Dit Klasse A instrument voldoet aan alle eisen van de Canadese norm IECS-003.

Cet appareil numérique de classe A répond à toutes les exigences de la réglementation canadienne sur les équipements provoquant des interférences.

FCC deel 15, Klasse "A" bepalingen

Aanvullende informatie en testresultaten zijn via de fabrikant verkrijgbaar. Dit instrument voldoet aan Deel 15 van de FCC-voorschriften. Het gebruik van dit instrument is aan de volgende voorwaarden onderworpen:

1. Het instrument mag geen schadelijke storingen veroorzaken.
2. Het instrument moet elke willekeurige ontvangen storing accepteren, inclusief storingen die mogelijk een ongewenste invloed kunnen hebben.

Door veranderingen of aanpassingen aan dit toestel die niet uitdrukkelijk zijn goedgekeurd door de partij verantwoordelijk voor certificering, kan de certificering van dit instrument, komen te vervallen. Dit apparaat is getest en voldoet aan de normen voor een elektrisch instrument van Klasse A, volgens Deel 15 van de FCC-voorschriften. Deze voorwaarden zijn opgesteld dat ze een goede bescherming bieden tegen hinderlijke storingen wanneer het instrument in een bedrijfsgerelateerde toepassing wordt gebruikt. Dit instrument produceert, gebruikt en kan radiogolven uitstralen. Wanneer het niet geïnstalleerd en gebruikt wordt volgens de handleiding, hinderlijke storing voor radiocommunicatie veroorzaken. Werking van het instrument in een huiselijke omgeving zal waarschijnlijk zorgen voor hinderlijke storing, in welk geval de gebruiker de storing dient te verhelpen. Om storingen op te lossen kan het volgende geprobeerd worden:

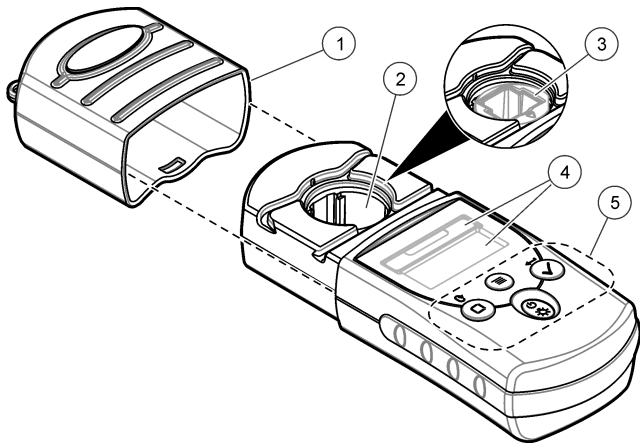
1. Plaats het apparaat weg van het apparaat waarop de storing van toepassing is.
2. Verplaats de ontvangstantenne voor het apparaat dat de storing ontvangt.
3. Probeer verschillende combinaties van de hierbovengenoemde suggesties.

Productoverzicht

Dit instrument is een draagbare filterfotometer die wordt gebruikt voor het testen van water. Raadpleeg [Afbeelding 57](#). Dit instrument is in de fabriek geconfigureerd om een of twee specifieke parameters te meten. Dit instrument is in de fabriek gekalibreerd. Er is geen kalibratie door de gebruiker nodig.

Opmerking: Dit instrument is niet beoordeeld om chloor en chlooramines te meten in medische toepassingen in de Verenigde Staten.

Afbeelding 57 Apparaatoverzicht



1 Kap van het instrument	3 Meetschacht met kuvettenadapter van 1 cm ¹	5 Toetsenbord
2 Meetschacht	4 Display	

¹ Bij sommige modellen in de fabriek geïnstalleerd

Opstarten

De batterijen plaatsen

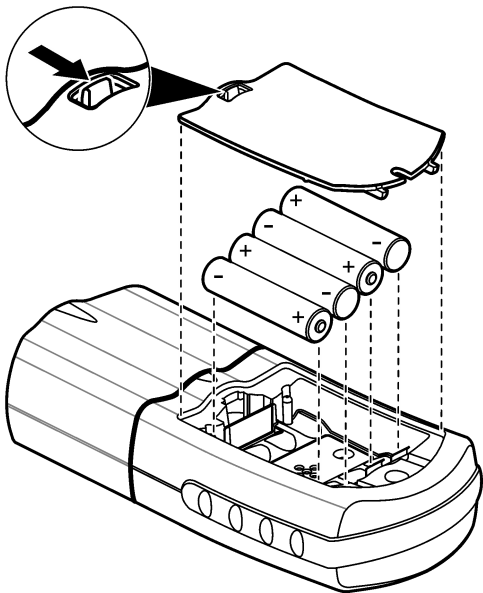
⚠ WAARSCHUWING



Explosiegevaar. Door onjuiste plaatsing van de batterijen kunnen explosieve gassen vrijkomen. Controleer of de batterijen van hetzelfde goedgekeurde chemische type zijn en in de juiste richting zijn aangebracht. Gebruik nieuwe batterijen nooit samen met oude batterijen.

Plaats de batterijen zoals getoond in [Afbeelding 58](#).

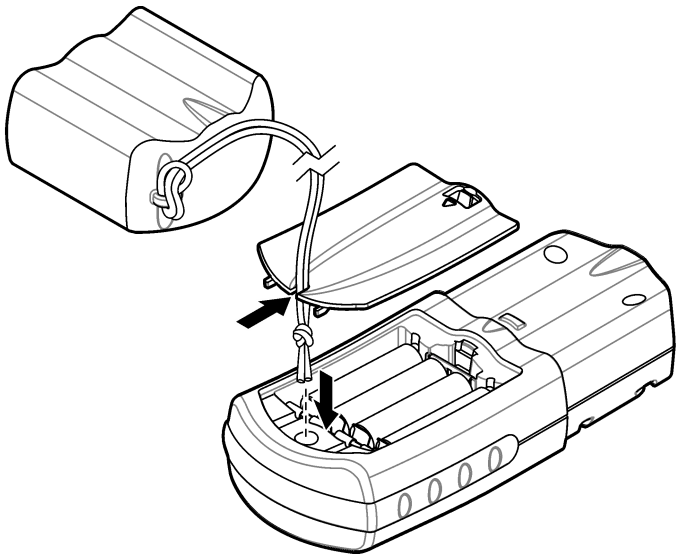
Afbeelding 58 Batterijen plaatsen



Koord van de kap aanbrengen

Bevestig het koord van de kap om te voorkomen dat de kap van het instrument kwijtraakt. Raadpleeg [Afbeelding 59](#).

Afbeelding 59 Koord van de kap aanbrengen

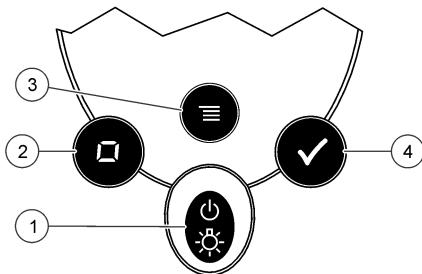


Gebruikersinterface en navigatie

Beschrijving toetsenbord

[Afbeelding 60](#) toont het toetsenbord en de functies van de toetsen.

Afbeelding 60 Toetsenbord



1 Aan/uit-toets/toets voor achtergrondverlichting: schakelt de voeding in of uit. Houd 1 seconde ingedrukt om de achtergrondverlichting in of uit te schakelen.	3 Menu-toets: start of sluit de menumodus.
2 Nul/scrol-toets: stelt het instrument in op nul, scrolt door de menuopties en -nummers	4 Toets voor meten/invoeren: start een monstermeting, selecteert een menuoptie, beweegt de cursor naar het volgende cijfer

Beschrijving van het display

[Afbeelding 61](#) toont de waarden en pictogrammen die op het display worden weergegeven.

Afbeelding 61 Display



1 Numerieke weergave: gemeten waarde of menuopties	4 Menupictogram: het instrument bevindt zich in de menumodus.
2 Bereikpictogram: geselecteerd bereik of geselecteerde parameter	5 Pictogram voor aanpassing kalibratie: de standaard fabriekskalibratie werd aangepast of er werd een kalibratiecurve ingevoerd door de gebruiker. Raadpleeg de uitgebreide gebruikershandleiding op de website van de fabrikant.
3 Bereikwaarde: bereik(en) of parameters	6 Pictogram voor batterij bijna leeg: laadniveau van de batterij is 10 %. Knippert wanneer het batterijniveau te laag is om metingen uit te voeren.

Bediening

Het instrument configureren



1. Druk op
2. Druk op om door de menuopties te bladeren. Druk op om een optie te selecteren.

Optie Omschrijving


SEL Stelt het meetbereik of de meetparameter in. Druk op om tussen de meetbereiken en -parameters te wisselen.

Optie Omschrijving

00:00 Hier wordt het tijdstip ingesteld in 24-uurs indeling (hh:mm). Druk op ✓ om de taal te wijzigen. Druk op  om het eerste cijfer te wijzigen en vervolgens op ✓ om naar het volgende cijfer te gaan.

rCL Toont de laatste 10 geregistreerde metingen. Druk op ✓ om de geregistreerde metingen te tonen (01—meest recente meting, 10—oudste meting). Druk op ✓ om door de metingen te bladeren. Om een meting op nummer te selecteren, drukt u op  om het nummer te selecteren en vervolgens op ✓. Druk op  om deze optie te verlaten.

SCA Raadpleeg de uitgebreide gebruikershandleiding op de website van de fabrikant.

3. Druk op  om terug te gaan naar de meetmodus.

Een test uitvoeren

▲ WAARSCHUWING



Gevaar van blootstelling aan chemicaliën. Volg alle laboratorium technische veiligheidsvoorschriften op en draag alle persoonlijke beschermingsuitrustingen die geschikt zijn voor de gehanteerde chemicaliën. Raadpleeg de huidige veiligheidsinformatiebladen (MSDS/SDS) voor veiligheidsprotocollen.



Hier volgen de standaard meetstappen die nodig zijn om een test uit te voeren. Raadpleeg de betreffende methode om een specifieke test uit te voeren.

1. Selecteer het toepasselijk meetbereik of de toepasselijke meetparameter. Raadpleeg [Het instrument configureren](#) op pagina 153.
2. Bereid de blanco voor op basis van het methodedocument. Zorg ervoor dat u een monsterkuvet met de juiste grootte gebruikt. Reinig de monsterkuvet en kap met de blanco voordat de monsterkuvet wordt gevuld.
3. Sluit de monsterkuvet en reinig de optische vlakken van de monsterkuvet met een pluisvrije doek.
4. Plaats de lege monsterkuvet in de meetschacht. Zorg dat de lege monsterkuvet in de correcte en consistente richting wordt geplaatst,

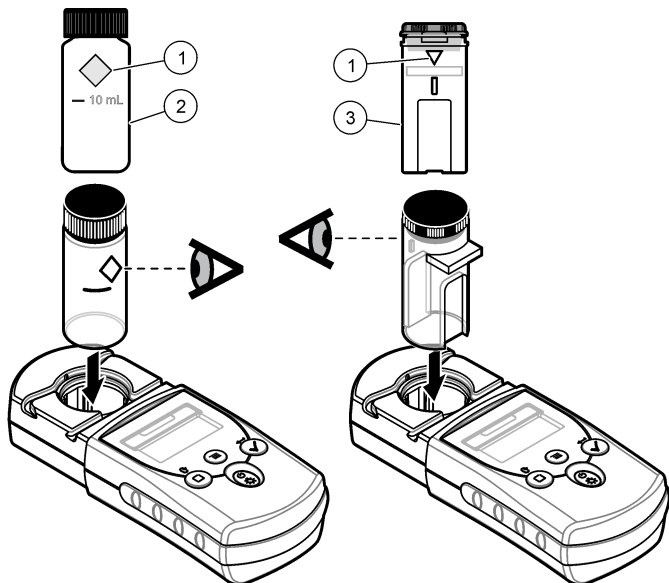
zodat de resultaten beter reproduceerbaar en nauwkeuriger zijn. Raadpleeg [Afbeelding 62](#).

5. Plaats de kap van het instrument over de meetschacht. Raadpleeg [Afbeelding 63](#).
6. Druk op  om het instrument op nul in te stellen. Het display geeft "0.000" weer of de resolutie die eerder was geselecteerd.
7. Bereid het monster voor. Reinig de monsterkuvet en kap met het monster drie keer voordat de monsterkuvet wordt gevuld. Voeg reagentia toe zoals in het methodedocument is aangegeven.
8. Sluit het monsterkuvet en reinig de optische oppervlakken van het kuvet met een stofvrije doek..
9. Plaats het monster in de meetschacht. Zorg dat de monsterkuvet in de correcte en consistente richting wordt geplaatst, zodat de resultaten beter reproduceerbaar en nauwkeuriger zijn. Raadpleeg [Afbeelding 62](#).
10. Plaats de kap van het instrument over de meetschacht. Raadpleeg [Afbeelding 63](#).
11. Druk op . Het display geeft de resultaten weer in concentratie-eenheden of absorptie.

Opmerking: Het resultaat knippert als het boven of onder het bereik van het instrument ligt.

12. Verwijder het geprepareerde monster uit de meetschacht.
13. Leeg en reinig de monsterkuvet onmiddellijk. Spoel de monsterkuvet en kap drie keer met demi-water.

Afbeelding 62 Richting van de monsterkuvet

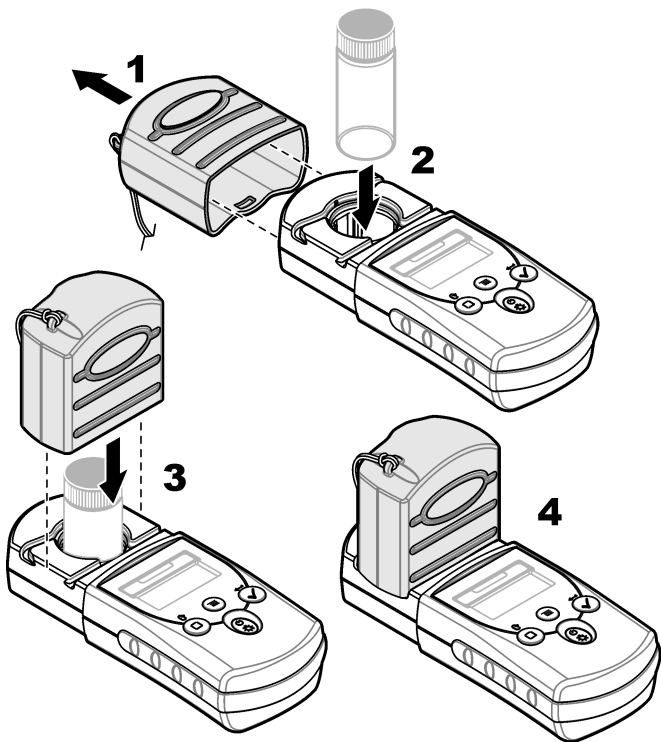


1 Richtingsteken

2 Monsterkuvet, 25 mm
(10 ml)

3 Monsterkuvet, 1 cm
(10 ml)

Afbeelding 63 De kap van het instrument over de meetschacht plaatsen



De geregistreerde metingen weergeven

Raadpleeg de "rCL"-optie in [Het instrument configureren](#) op pagina 153.

Onderhoud

⚠ VOORZICHTIG



Diverse gevaren. Alleen bevoegd personeel mag de in dit deel van het document beschreven taken uitvoeren.

LET OP

Haal het instrument niet voor onderhoud uit elkaar. Als er inwendige componenten moeten worden gecontroleerd of gerepareerd, neem dan contact op met de fabrikant.

Reiniging van het apparaat

Reinig de buitenzijde van het apparaat met een vochtige doek en een milde zeepoplossing en veeg het apparaat vervolgens droog.

De monsterkuvetten reinigen

⚠ VOORZICHTIG



Gevaar van blootstelling aan chemicaliën. Volg alle laboratorium technische veiligheidsvoorschriften op en draag alle persoonlijke beschermingsuitrustingen die geschikt zijn voor de gehanteerde chemicaliën. Raadpleeg de huidige veiligheidsinformatiebladen (MSDS/SDS) voor veiligheidsprotocollen.



⚠ VOORZICHTIG



Gevaar van blootstelling aan chemicaliën. Chemicaliën en afval dienen te worden afgevoerd in overeenkomst met de lokale, regionale en nationale voorschriften.

De meeste laboratoriumreinigingsmiddelen worden gebruikt in de aanbevolen concentraties. Bij regelmatig reinigen is het gebruik van neutrale reinigingsmiddelen, zoals Liquinox, veiliger. Verhoog de temperatuur of gebruik een ultrasoon bad om de reinigingstijden te verkorten. Spoel enkele keren met demi-water en laat de monsterkuvet aan de lucht drogen om de reiniging te voltooien. Monsterkuvetten kunnen ook met zuur gereinigd worden, gevolgd door grondig spoelen met demi-water.

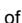

Opmerking: Gebruik altijd zuur om kuvetten te reinigen die zijn gebruikt voor lage-concentratie-metaaltesten.

Speciale reinigingsmethoden zijn nodig voor afzonderlijke procedures. Zorg dat de binnenzijde van de monsterkuvetten niet bekrast raakt wanneer een borstel wordt gebruikt om monsterkuvetten te reinigen.

Batterijen vervangen

Vervang de batterijen wanneer het laadniveau van de batterijen laag is. Raadpleeg [De batterijen plaatsen](#) op pagina 150.

Problemen oplossen

Foutmelding	Omschrijving	Oplossing
E-0	Geen nul	In de gebruikerskalibratiemodus werd een standaardoplossing gemeten voordat het instrument op nul werd ingesteld. Meet een blanco-oplossing om het instrument op nul in te stellen.
E-1	Fout door omgevingslicht ¹	Er komt omgevingslicht in de meetschacht. Zorg ervoor dat de kap van het instrument volledig over de meetschacht is geplaatst.
E-2	LED-storing ¹	De LED (lichtbron) werkt niet. Vervang de batterijen. Zorg dat de LED in de meetschacht brandt wanneer er op  of  wordt gedrukt.

Foutmelding	Omschrijving	Oplossing
E-3	Fout bij aanpassen standaard	<ul style="list-style-type: none"> • De gemeten waarde van de standaardoplossing is hoger dan de aanpassingslimiet. Bereid een nieuwe standaard voor. • De standaardoplossing bevindt zich niet in het concentratiebereik dat kan worden gebruikt voor aanpassing van de standaardkalibratie. Bereid een standaard voor met een waarde die in de buurt ligt van de aanbevolen concentraties die in de procedure worden gegeven. • Ga na of de concentratie van de standaardoplossing op de juiste manier is ingevoerd.
E-6	Abs-fout	De absorptiewaarde is niet juist of de door de gebruiker ingevoerde kalibratiecurve heeft minder dan twee punten. Voer de absorptiewaarde opnieuw in of meet deze opnieuw.
E-7	Fout in standaardwaarde	De concentratie van de standaardoplossing is gelijk aan de concentratie van een andere standaardoplossing die al is ingevoerd in de door de gebruiker ingevoerde kalibratiecurve. Voer de juiste standaardconcentratie in.
E-9	Flash-fout	Het instrument kan geen gegevens opslaan.

Foutmelding	Omschrijving	Oplossing
Meetwaarde knippert	De meetwaarde is hoger of lager dan het bereik van het instrument. ²	Als de meetwaarde lager is dan het bereik van het instrument, moet ervoor worden gezorgd dat de kap van het instrument volledig over de meetschacht is geplaatst. Meet een blanco. Als de blancowaarde niet nul is, moet het instrument opnieuw op nul worden ingesteld.
		Als de meetwaarde hoger is dan het bereik van het instrument, moet worden vastgesteld of er licht wordt geblokkeerd in de meetschacht. Verdun het monster. Voer de test opnieuw uit.
		Voor in de fabriek gekalibreerde programma's moeten de minimum- en maximumwaarden altijd gelijk zijn aan de in de fabriek gekalibreerde waarden en moeten ze niet veranderd kunnen worden.

- 1 Wanneer fout E-1 of E-2 zich voordoet tijdens een meting, toont het display “_._.”. De decimale positie is afhankelijk van de chemicaliën. Als fout E-1 of E-2 zich voordoet terwijl het instrument op nul is ingesteld, moet het instrument opnieuw op nul worden ingesteld.
- 2 De knipperende waarde zal 10 % boven de bovenste limiet van het testbereik liggen.

Reserveonderdelen

⚠ WAARSCHUWING



Gevaar voor letsel. Het gebruik van niet-goedgekeurde onderdelen kan leiden tot letsel, beschadiging van het instrument of onjuiste werking van apparatuur. De reserveonderdelen in dit hoofdstuk zijn goedgekeurd door de fabrikant.

Opmerking: Product- en artikelnummers kunnen verschillen per regio. Neem contact op met de desbetreffende distributeur of bezoek de website voor contactgegevens.

Reservedelen

Beschrijving	Hoeveelheid	Artikelnr.
AAA-batterijen, alkaline	4/pkg	4674300
Koord van de kap	1	5955900
Kap van het instrument	1	5954800
Monsterkuvet, 25 mm (10 ml), met kappen	6/pkg	2427606
Monsterkuvet, 1 cm (10 ml), met kappen	2/pkg	4864302

Spis treści

Parametry techniczne na stronie 163
strona 164

Uruchomienie na stronie 168

Interfejs użytkownika i nawigacja
na stronie 169

Użytkowanie na stronie 171

Konserwacja na stronie 176

Rozwiązywanie problemów
na stronie 177

Części zamienne na stronie 178

Dodatkowe informacje

Dodatkowe informacje są dostępne na stronie internetowej producenta.

Parametry techniczne

Parametry techniczne mogą ulec zmianie bez wcześniejszego powiadomienia.

Parametry techniczne	Szczegółowe informacje
Wymiary (szer. x głęb. x wys.)	6.1 x 3.2 x 15.2 cm (2.4 x 1.25 x 6 cale)
Obudowa	IP67, wodoszczelność na głębokości 1 m (3.3 ft) przez 30 minut (komora na baterie nie została dołączona). Nie wystawiać na bezpośrednie działanie promieni słonecznych.
Źródło światła	Dioda świecąca (LED)
Detektor	Fotodioda krzemowa
Wyświetlacz	LCD z podświetleniem
Waga	0.2 kg (0.43 lb)
Stopień zanieczyszczenia	2
Kategoria instalacyjna	I
Klasa ochrony	3
Wymagania dotyczące zasilania	4 baterie AAA; przybliżony czas eksploatacji wynosi 2000 testów (użycie podświetlenia zmniejsza liczbę testów) Akumulatory nie są zalecane.

Parametry techniczne	Szczegółowe informacje
Warunki pracy	0 do 50°C (32 do 122°F); 0 do 90% wilgotności względnej, bez kondensacji
Temperatura składowania	-20 do 55 °C (-7.6 do 131 °F)
Dokładność fotometryczna	± 0.0015 Abs
Długość fali	Stała długość fali ±2 nm, różna w zależności od modelu
Szerokość pasma filtracji	15 nm
Zakres absorbancji	0 do 2.5 Abs
Długość drogi optycznej kuwety	1 cm (5–10 mL), 25 mm (10 mL)
Rejestracja danych	10 ostatnich pomiarów
Certyfikaty	Znak CE
Gwarancja	2 lata

Informacje dotyczące bezpieczeństwa

POWIADOMIENIE

Producent nie ponosi odpowiedzialności za ewentualne szkody wynikłe z niewłaściwego stosowania albo użytkowania tego produktu, w tym, bez ograniczeń za szkody bezpośrednie, przypadkowe i wtórne, oraz wyklucza odpowiedzialność za takie szkody w pełnym zakresie dozwolonym przez obowiązujące prawo. Użytkownik jest wyłącznie odpowiedzialny za zidentyfikowanie krytycznych zagrożeń aplikacji i zainstalowanie odpowiednich mechanizmów ochronnych procesów podczas ewentualnej awarii sprzętu.

Prosimy przeczytać całą niniejszą instrukcję obsługi przed rozpakowaniem, ustawieniem lub obsługą tego urządzenia. Należy zwrócić uwagę na wszystkie uwagi dotyczące niebezpieczeństwa i kroków zapobiegawczych. Niezastosowanie się do tego może spowodować poważne obrażenia obsługującego lub uszkodzenia urządzenia.

Należy upewnić się, czy systemy zabezpieczające wbudowane w urządzenie pracują prawidłowo. Nie używać ani nie instalować tego urządzenia w inny sposób, aniżeli podany w niniejszej instrukcji.

Korzystanie z informacji o zagrożeniach

▲ NIEBEZPIECZEŃSTWO

Wskazuje potencjalnie lub bezpośrednio niebezpieczną sytuację, która — jeśli się jej nie zapobiegnie — doprowadzi do śmierci lub poważnych obrażeń.

▲ OSTRZEŻENIE

Wskazuje na potencjalną lub bezpośrednią niebezpieczną sytuację, która, jeżeli się jej nie uniknie, może doprowadzić do śmierci lub ciężkich obrażeń.

▲ UWAGA



Wskazuje na potencjalnie niebezpieczną sytuację, która może doprowadzić do mniejszych lub umiarkowanych obrażeń.

POWIADOMIENIE

Wskazuje sytuację, która – jeśli się jej nie uniknie – może doprowadzić do uszkodzenia urządzenia. Informacja, która wymaga specjalnego podkreślenia.

Etykiety ostrzegawcze

Przeczytaj wszystkie etykiety dołączone do urządzenia. Nieprzestrzeganie tych instrukcji może spowodować urazy ciała lub uszkodzenie urządzenia. Symbol umieszczony na urządzeniu jest zamieszczony w podręczniku i opatrzony informacją o należytych środkach ostrożności.

	Ten symbol, jeżeli znajduje się on na przyrządzie, odsyła do instrukcji obsługi i/lub informacji dotyczących bezpieczeństwa.
	Urządzeń elektrycznych oznaczonych tym symbolem nie wolno wyrzucać do europejskich publicznych systemów utylizacji odpadów. Wyeksploatowane urządzenia należy zwrócić do producenta w celu ich utylizacji. Producent ma obowiązek przyjąć je bez pobierania dodatkowych opłat.

Certyfikaty

Kanadyjska regulacja prawna dotycząca sprzętu powodującego zakłócenia odbioru radiowego, IECS-003, klasa A:

Stosowne wyniki testów dostępne są u producenta.

Ten cyfrowy aparat klasy A spełnia wszystkie wymogi kanadyjskich regulacji prawnych dotyczących sprzętu powodującego zakłócenia.

Cet appareil numérique de classe A répond à toutes les exigences de la réglementation canadienne sur les équipements provoquant des interférences.

FCC Część 15, Ograniczenia Klasy "A"

Stosowne wyniki testów dostępne są u producenta. Niniejsze urządzenie spełnia warunki Części 15 Zasad FCC. Przy pracy obowiązują poniższe warunki:

1. Sprzęt nie może powodować szkodliwego zakłócenia.
2. Sprzęt musi akceptować wszelkie odbierane zakłócenia, w tym zakłócenia, które mogą powodować niepożądane działanie.

Zmiany oraz modyfikacje tego urządzenia, które nie zostały wyraźnie zaakceptowane przez stronę odpowiedzialną za zgodność, mogą spowodować pozbawienie użytkownika upoważnienia do korzystania z niniejszego urządzenia. To urządzenie zostało przetestowane i odpowiada ograniczeniom dla urządzenia cyfrowego klasy A, stosownie do części 15 zasad FCC. Ograniczenia te zostały wprowadzone w celu zapewnienia należytej ochrony przed szkodliwymi zakłóceniami, gdy urządzenie jest użytkowane w środowisku komercyjnym. Niniejsze urządzenie wytwarza, używa i może wydzielać energię o częstotliwości radiowej oraz, jeśli nie jest zainstalowane i używane zgodnie z instrukcją obsługi, może powodować szkodliwe zakłócenia w łączności radiowej. Istnieje prawdopodobieństwo, że wykorzystywanie tego urządzenia w terenie mieszkalnym może spowodować szkodliwe zakłócenia. W takim przypadku użytkownik jest zobowiązany do usunięcia zakłóceń na własny koszt. W celu zmniejszenia problemów z zakłóceniami można wykorzystać poniższe metody:

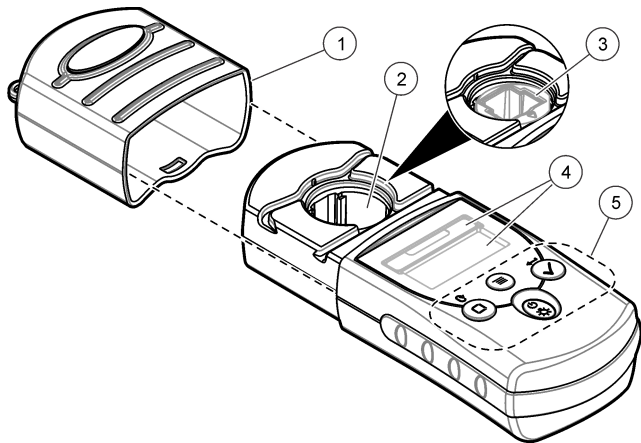
1. Odsunąć sprzęt od zakłócanego urządzenia.
2. Zmienić pozycję anteny odbiorczej urządzenia zakłócanego.
3. Spróbować kombinacji powyższych metod.

Informacje o produkcie

To urządzenie jest przenośnym fotometrem z filtrem do analizy wody. Zobacz punkt [Rysunek 64](#). To zaprogramowane fabrycznie urządzenie służy do pomiaru jednego lub dwóch parametrów. Kalibracja tego urządzenia została przeprowadzona w fabryce. Przeprowadzenie kalibracji przez użytkownika nie jest konieczne.

Uwaga: To urządzenie nie ma atestu do pomiaru chloru i chloraminy w zastosowaniach medycznych w USA.

Rysunek 64 Krótki opis urządzenia



1 Nasadka urządzenia	3 Uchwyt kuwety z 1-cm adapterem kuwety ¹	5 Blok przycisków
2 Uchwyt kuwety	4 Wyświetlacz	

¹ Fabryczny montaż w niektórych modelach

Uruchomienie

Instalowanie baterii

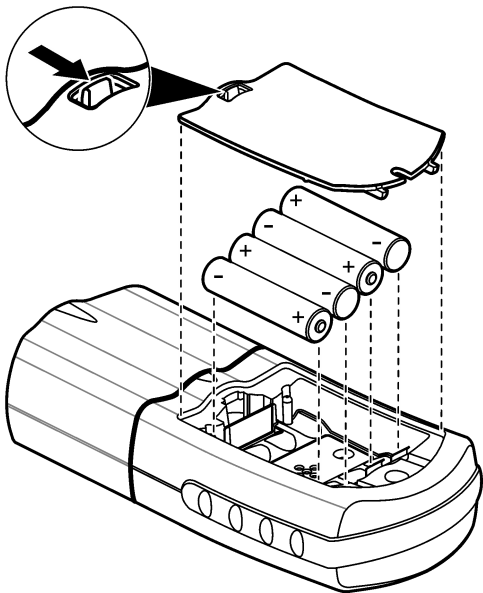
⚠ OSTRZEŻENIE



Zagrożenie wybuchem. Niewłaściwie zainstalowane baterie mogą uwalniać gazy wybuchowe. Upewnić się, że bateria jest odpowiedniego typu i, czy została zainstalowana we właściwy sposób z zachowaniem biegunowości. Nie używać razem zużytych i nowych baterii.

Baterie należy zainstalować, jak pokazano w punkcie [Rysunek 65](#)

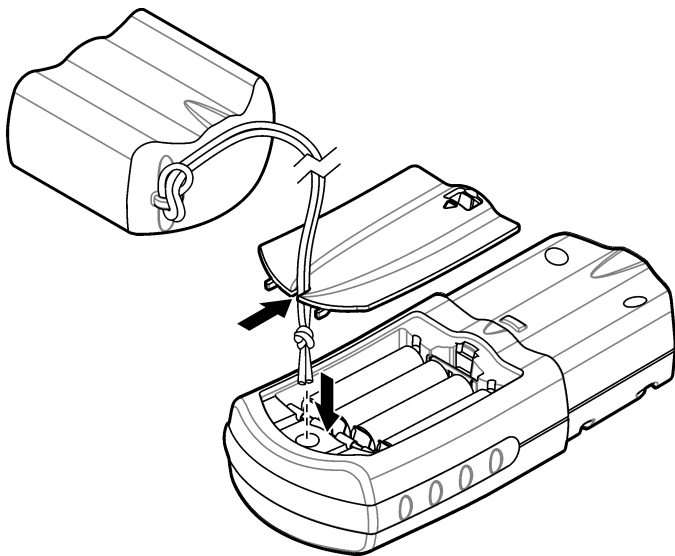
Rysunek 65 Instalowanie baterii



Montaż linki nasadki

Należy założyć linkę nasadki, aby zapobiec utracie nasadki urządzenia. Zobacz punkt [Rysunek 66](#).

Rysunek 66 Montaż linki nasadki

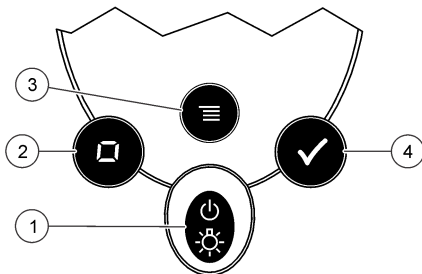


Interfejs użytkownika i nawigacja

Opis bloku przycisków

[Rysunek 67](#) pokazuje blok przycisków i obsługiwane przez nie główne funkcje.

Rysunek 67 Blok przycisków



1 Przycisk zasilania/podświetlenie: włącza i wyłącza zasilanie. Naciśnij i przytrzymaj przez 1 sekundę, aby włączyć lub wyłączyć podświetlenie.	3 Przycisk menu: otwieranie i zamykanie trybu menu.
2 Przycisk zerowania/przewijania: zeruje urządzenie, przewija opcje menu i cyfry	4 Przycisk odczytu/Enter: uruchamia pomiar próbki, wybiera opcję menu, przesuwa kursor na następną cyfrę

Opis wyświetlacza

[Rysunek 68](#) pokazuje wartości i ikony widoczne na wyświetlaczu.




Rysunek 68 Wyświetlacz



1 Wyświetlacz numeryczny: zmierzone wartości lub opcje menu	4 Ikona Menu: urządzenie jest w trybie menu
2 Ikona zakresu: wybrany zakres lub parametr	5 Ikona kalibracji skorygowanej: Fabryczna kalibracja została skorygowana lub wprowadzona została krzywa kalibracji zdefiniowana przez użytkownika. Informacje na ten temat znajdziesz w rozszerzonej wersji instrukcji, dostępnej na stronie internetowej producenta.
3 Wartość zakresu: zakres(y) lub parametry	6 Ikona niskiego poziomu naładowania baterii: poziom naładowania baterii nie przekracza 10%. Miga, jeśli poziom naładowania baterii jest zbyt niski, aby przeprowadzić pomiary.

Użytkowanie

Konfigurowanie urządzenia

1. Naciśnij .
2. Naciśnij , aby przewinąć opcje menu. Naciśnij , aby wybrać opcję.

Opcja Opis

- SEL** Ustawia zakres pomiarowy lub parametr. Naciśnij ✓, aby przełączyć pomiędzy zakresem pomiarowym i parametrem.
- 00:00** Ustawia godzinę w formacie 24-godzinnym (hh:mm). Naciśnij ✓, aby zmienić godzinę. Naciśnij kolejno □, aby zmienić pierwszą cyfrę, a następnie ✓, aby przejść do następnej cyfry.
- rCL** Pokazuje ostatnich 10 zarejestrowanych pomiarów. Naciśnij ✓, aby pokazać zarejestrowane pomiary (01 – pomiar najnowszy, 10 – pomiar najstarszy). Naciśnij ✓, aby przewinąć listę pomiarów. Aby wybrać pomiar według numeru, naciśnij □, aby wybrać numer, a następnie ✓. Naciśnij ≡, aby wyjść z opcji.
- SCA** Informacje na ten temat znajdziesz w rozszerzonej wersji instrukcji, dostępnej na stronie internetowej producenta.

3. Naciśnij ≡, aby cofnąć się do trybu pomiarów.

Wykonanie testu

▲ OSTRZEŻENIE





Narażenie na działanie substancji chemicznych. Stosować się do procedur bezpieczeństwa w laboratoriach i zakładać sprzęt ochrony osobistej, odpowiedni dla używanych substancji chemicznych. Protokoły warunków bezpieczeństwa można znaleźć w aktualnych kartach charakterystyki (MSDS/SDS) materiałów.

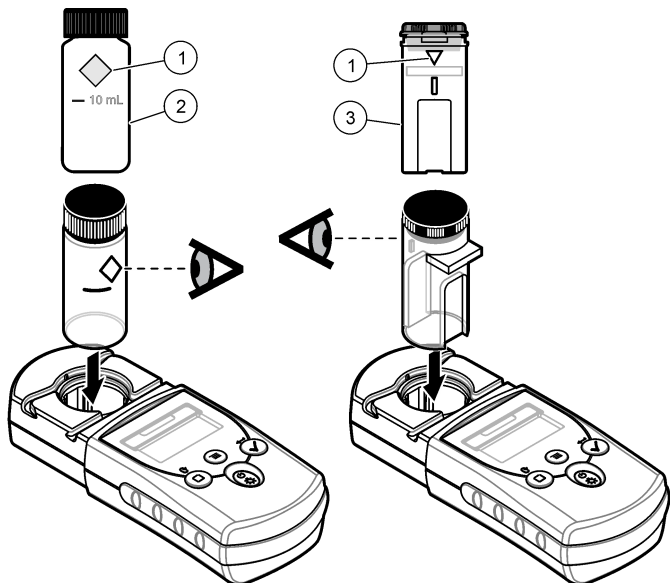
Podstawowe kroki pomiarowe, niezbędne do przeprowadzenia testu. W celu wykonania określonego testu, należy zapoznać się z odpowiednią metodą.

1. Wybrać odpowiedni zakres pomiarowy lub parametr. Zobacz punkt [Konfigurowanie urządzenia](#) na stronie 171.
2. Sporządzić ślepą próbkę zgodnie z dokumentacją metody. Upewnić się, że jest używany odpowiedni rozmiar kuwety. Przed napełnieniem kuwety przemyć kuwetę i nasadkę ze ślepą próbką.
3. Zamknąć kuwetę i oczyścić płaszczyzny optyczne kuwety ściereczką nie pozostawiającą włókien.
4. Włożyć kuwetę ze ślepą próbką do uchwytu kuwety. Zadbać o włożenie kuwety ze ślepą próbką w prawidłowej i konsekwentnej

orientacji, tak aby wyniki były bardziej powtarzalne i precyzyjne. Zobacz punkt [Rysunek 69](#).

5. Założyć nasadkę urządzenia na uchwyt kuwety. Zobacz punkt [Rysunek 70](#).
6. Nacisnąć , aby wyzerować urządzenie. Wyświetlacz pokazuje wartość „0.000” lub stopień rozdzielczości, wybrany poprzednio.
7. Przygotować próbkę. Przed napełnieniem kuwety przemyć trzykrotnie kuwetę i nasadkę z próbką. Dodać odczynniki, jak to określono w dokumentacji metody.
8. Zamknąć kuwetę i oczyścić płaszczyzny optyczne kuwety ściereczką nie pozostawiającą włókien..
9. Włożyć próbkę do uchwytu kuwety. Zadbaj o włożenie kuwety w prawidłowej i konsekwentnej orientacji, tak aby wyniki były bardziej powtarzalne i precyzyjne. Zobacz [Rysunek 69](#).
10. Założyć nasadkę urządzenia na uchwyt kuwety. Zobacz [Rysunek 70](#).
11. Naciśnij . Wyświetlacz pokazuje wyniki w jednostkach stężenia lub absorbancji.
***Uwaga:** Wynik miga, jeśli jego wartość jest mniejsza lub większa niż zakres pomiarowy.*
12. Wyjąć przygotowaną próbkę z uchwytu kuwety.
13. Niezwłocznie opróżnić i przepłukać kuwetę. Przepłukać kuwetę i nasadkę trzy razy wodą dejonizowaną.

Rysunek 69 Orientacja kuwety

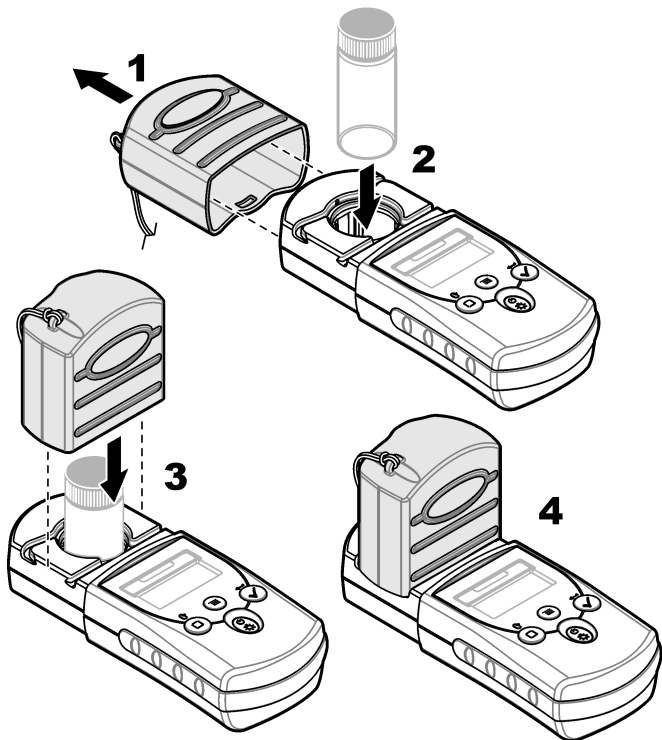


1 Znacznik orientacji

2 Kuweta, 25-mm
(10 mL)

3 Kuweta, 1-cm (10 mL)

Rysunek 70 Założyć nasadkę urządzenia na uchwyt kuwety



Wyświetlanie zarejestrowanych pomiarów

Zobacz opcję „rCL” w punkcie [Konfigurowanie urządzenia](#) na stronie 171.

Konserwacja

▲ UWAGA



Wiele zagrożeń. Tylko wykwalifikowany personel powinien przeprowadzać prace opisane w tym rozdziale niniejszego dokumentu.

POWIADOMIENIE

Nie demontuj urządzenia w celu konserwacji. Skontaktuj się z producentem, gdy komponent wewnętrzny wymaga czyszczenia lub naprawy.

Czyszczenie urządzenia

Oczyszczyć zewnętrzną powierzchnię instrumentu wilgotną ściereczką i łagodnym roztworem mydła, a następnie wytrzeć instrument do sucha.

Czyszczenie kuwet

▲ UWAGA



Narażenie na działanie substancji chemicznych. Stosować się do procedur bezpieczeństwa w laboratoriach i zakładać sprzęt ochrony osobistej, odpowiedni dla używanych substancji chemicznych. Protokoły warunków bezpieczeństwa można znaleźć w aktualnych kartach charakterystyki (MSDS/SDS) materiałów.



▲ UWAGA



Narażenie na działanie substancji chemicznych. Usuwać substancje chemiczne i odpady zgodnie z przepisami lokalnymi, regionalnymi i państwowymi.

Używa się większości detergentów laboratoryjnych w zalecanych stężeniach. Naturalne środki czyszczące (np. Liquinox) są bezpieczniejsze w użytkowaniu, gdy konieczne jest regularne czyszczenie. Aby skrócić czas czyszczenia, należy podwyższyć temperaturę lub skorzystać z łaźni ultradźwiękowej. Aby zakończyć czyszczenie, przepłucz kilkakrotnie za pomocą dejonizowanej wody i pozostaw zbiornik do wyschnięcia.

Zbiorniki próbek można również wyczyścić kwasem, a następnie przepłukać dejonizowaną wodą.


Uwaga: Jeśli zbiorniki były używane podczas testów na niskie stężenia metali, zawsze używaj kwasu do ich czyszczenia.

W indywidualnych procedurach konieczne jest stosowanie specjalnych metod czyszczenia. Jeżeli czyszczenie zbiorników próbek wymaga użycia szczoteczki, pamiętaj żeby zachować szczególną ostrożność i nie zarysować ich wewnętrznej powierzchni.

Wymiana baterii

Baterie należy wymienić, jeśli poziom naładowania baterii jest niski. Zobacz punkt [Instalowanie baterii](#) na stronie 168.

Rozwiązywanie problemów

Błąd	Opis	Rozwiązanie
E-0	Brak zera	W trybie kalibracji zdefiniowanej przez użytkownika, roztwór wzorcowy został zmierzony przed wyzerowaniem urządzenia. Zmierzyć ślepa próbkę, aby ustawić zero.
E-1	Błąd światła otoczenia ¹	Światło otoczenia dochodzi do uchwytu kuwety. Upewnić się, że nasadka urządzenia jest dokładnie nałożona na uchwyt kuwety.
E-2	Błąd diody LED ¹	Diody LED (źródło światła) nie można wyregulować. Wymienić baterie. Upewnić się, że dioda LED w uchwycie kuwety świeci, jeśli naciśnięty jest przycisk ✓ lub 
E-3	Błąd ustawienia wzorca	<ul style="list-style-type: none">• Wartość zmierzona roztworu wzorcowego wykracza poza limity regulacji. Przygotować świeży wzorec.• Roztwór wzorcowy nie mieści się w zakresie stężeń, które mogą być stosowane do regulacji kalibracji wzorca. Przygotować wzorec, którego wartość jest równa lub przybliżona wartościom zalecanych stężeń podanych w procedurze.• Upewnić się, że wprowadzone stężenie roztworu wzorcowego jest poprawne.

Błąd	Opis	Rozwiązanie
E-6	Błąd Abs	Wartość absorbancji jest obarczona błędem lub krzywa kalibracji zdefiniowana przez użytkownika jest punktem. Wprowadzić lub zmierzyć wartość absorbancji ponownie.
E-7	Błąd wartości wzorca	Stężenie roztworu wzorcowego jest równe stężeniu innego roztworu wzorcowego, który już został wprowadzony na krzywej kalibracji zdefiniowanej przez użytkownika. Wprowadzić poprawne stężenie wzorca.
E-9	Błąd pamięci Flash	Urządzenie nie może zapisać danych.
Odczyt miga	Odczyt wykracza poza zakres urządzenia. ²	Jeśli odczyt jest mniejszy niż zakres urządzenia, upewnić się, że nasadka urządzenia jest cała nałożona na uchwycie kuwety. Dokonać pomiaru ślepej próbki. Jeśli odczyt ślepej próbki nie jest równy zero, ustawić urządzenie na zero ponownie..
		Jeśli odczyt wykracza poza zakres urządzenia sprawdzić, czy strumień światła nie jest blokowany w uchwycie kuwety. Rozcieńczyć próbkę. Wykonać test ponownie.
		Dla programów fabrycznie skalibrowanych, wartości maksymalne i minimalne zawsze równe są wartościom skalibrowanym fabrycznie i nie można ich zmienić.

1 Jeśli błąd E-1 lub E-2 występuje podczas pomiaru, wyświetlacz pokazuje znak „_._.”. Miejsce po przecinku zależy od substancji chemicznej. Jeśli błąd E-1 lub E-2 występuje po wyzerowaniu urządzenia, powtórzyc czynność zerowania.

2 Wartość, która miga przekracza o 10% górny limit zakresu testu.

Części zamienne

OSTRZEŻENIE



Zagrożenie uszkodzenia ciała. Stosowanie niezatwierdzonych części grozi obrażeniami ciała, uszkodzeniem urządzenia lub nieprawidłowym działaniem osprzętu. Części zamienne wymienione w tym rozdziale zostały zatwierdzone przez producenta.

Uwaga: Numery produktów i części mogą być różne w różnych regionach. Skontaktuj się z odpowiednim dystrybutorem albo znajdź informacje kontaktowe w witrynie internetowej firmy.

Części zamienne

Opis	Ilość	Numer pozycji
Baterie AAA, alkaliczne	4/op	4674300
Linka nasadki	1	5955900
Nasadka urządzenia	1	5954800
Kuweta, 25 mm (10 mL), z nasadkami	6/op	2427606
Kuweta, 1 cm (10 mL), z nasadkami	2/op	4864302

Innehållsförteckning

[Specifikationer](#) på sidan 180

[Allmän information](#) på sidan 181

[Start](#) på sidan 184

[Användargränssnitt och navigering](#)
på sidan 186

[Användning](#) på sidan 188

[Underhåll](#) på sidan 193

[Felsökning](#) på sidan 194

[Reservdelar](#) på sidan 196

Mer information

Mer information finns på tillverkarens webbplats.

Specifikationer

Specifikationerna kan ändras utan föregående meddelande.

Specifikation	Information
Dimensioner (B x D x H)	6,1 x 3,2 x 15,2 cm (2,4 x 1,25 x 6 tum)
Hölje	IP67, vattentätt ned till 1 m (3,3 ft) i 30 minuter (gäller inte batterifacket). Utsätt det inte för direkt solljus.
Ljuskälla	Lysdiod (LED)
Detektor	Silikonfotodiod
Display	LCD med bakgrundsbelysning
Vikt	0,2 kg (0,43 lb)
Föroreningsgrad	2
Installationskategori	I
Skyddsklass	3
Effektbehov	4 AAA-batterier; ungefärlig hållbarhet = 2 000 tester (kortare hållbarhet om bakgrundsbelysningen används) Uppladdningsbara batterier rekommenderas inte.
Omgivning vid användning	0 till 50 °C (32 till 122 °F); 0 till 90 % relativ luftfuktighet, icke-kondenserande
Förvaringstemperatur	-20 till 55 °C (-7.6 till 131 °F)

Specifikation	Information
Fotometrisk precision	$\pm 0,0015$ Abs
Våglängd	Fast våglängd ± 2 nm, olika för varje modell
Filter bandbredd	15 nm
Absorbansområde	0 till 2,5 Abs
Provcell spårlängd	1 cm (5–10 ml), 25 mm (10 ml)
Datalagring	De senaste 10 mätningarna
Certifieringar	CE-märkning
Garanti	2 år

Allmän information

Tillverkaren är under inga omständigheter ansvarig för direkta, särskilda, indirekta eller följskador som orsakats av eventuellt fel eller utelämnande i denna bruksanvisning. Tillverkaren förbehåller sig rätten att göra ändringar i denna bruksanvisning och i produkterna som beskrivs i den när som helst och utan föregående meddelande och utan skyldigheter. Reviderade upplagor finns på tillverkarens webbsida.

Säkerhetsinformation

ANMÄRKNING:

Tillverkaren tar inget ansvar för skador till följd av att produkten används på fel sätt eller missbrukas. Det omfattar utan begränsning direkta skador, tillfälliga skador eller följskador. Tillverkaren avsäger sig allt ansvar i den omfattning gällande lag tillåter. Användaren är ensam ansvarig för att identifiera kritiska användningsrisker och installera lämpliga mekanismer som skyddar processer vid eventuella utrustningsfel.

Läs igenom hela handboken innan instrumentet packas upp, monteras eller startas. Följ alla faro- och försiktighetshänvisningar. Om dessa anvisningar inte följs kan användaren utsättas för fara eller utrustningen skadas.

Kontrollera att skyddet som ges av den här utrustningen inte är skadat. Utrustningen får inte användas eller installeras på något annat sätt än så som specificeras i den här handboken.

Anmärkning till information om risker

▲ FARA

Indikerar en potentiellt eller överhängande riskfylld situation som kommer att leda till livsfarliga eller allvarliga skador om den inte undviks.

▲ VARNING

Indikerar en potentiellt eller överhängande riskfylld situation som kan leda till livsfarliga eller allvarliga skador om situationen inte undviks.

▲ FÖRSIKTIGHET



Indikerar en potentiellt riskfylld situation som kan resultera i lindrig eller måttlig skada.

ANMÄRKNING:

Indikerar en potentiellt riskfylld situation som kan medföra att instrumentet skadas. Information som användaren måste ta hänsyn till vid hantering av instrumentet.

Varningsdekalering

Beakta samtliga dekaleringar och märken på instrumentet. Personskador eller skador på instrumentet kan uppstå om dessa ej beaktas. En symbol på instrumentet beskrivs med en försiktighetsvarning i bruksanvisningen .

	Denna symbol, om den finns på instrumentet, refererar till bruksanvisningen angående drifts- och/eller säkerhetsinformation.
	Elektrisk utrustning markerad med denna symbol får inte avyttras i europeiska hushållsavfallssystem eller allmänna avfallssystem. Returnera utrustning som är gammal eller har nått slutet på sin livscykel till tillverkaren för avyttring, utan kostnad för användaren.

Certifiering

Canadian Radio Interference-causing Equipment Regulation, IECS-003, Klass A:

Stödjande testresultat finns hos tillverkaren.

Den digitala apparaten motsvarar klass A och uppfyller alla krav enligt kanadensiska föreskrifter för utrustning som orsakar störning.

Cet appareil numérique de classe A répond à toutes les exigences de la réglementation canadienne sur les équipements provoquant des interférences.

FCC del 15, klass "A" gränser

Stödjande testresultat finns hos tillverkaren. Denna utrustning uppfyller FCC-reglerna, del 15. Användning sker under förutsättning att följande villkor uppfylls:

1. Utrustningen bör inte orsaka skadlig störning.
2. Utrustningen måste tåla all störning den utsätts för, inklusive störning som kan orsaka driftsstörning.

Ändringar eller modifieringar av utrustningen, som inte uttryckligen har godkänts av den part som ansvarar för överensställningen, kan ogiltigförklara användarens rätt att använda utrustningen. Den här utrustningen har testats och faller inom gränserna för en digital enhet av klass A i enlighet med FCC-reglerna, del 15. Dessa gränser har tagits fram för att ge rimligt skydd mot skadlig störning när utrustningen används i en kommersiell omgivning. Utrustningen genererar, använder och kan utstråla radiofrekvensenergi och kan, om den inte installeras och används enligt handboken, leda till skadlig störning på radiokommunikation. Användning av utrustningen i bostadsmiljö kan orsaka skadlig störning. Användaren ansvarar då för att på egen bekostnad korrigera störningen. Följande tekniker kan användas för att minska problemen med störningar:

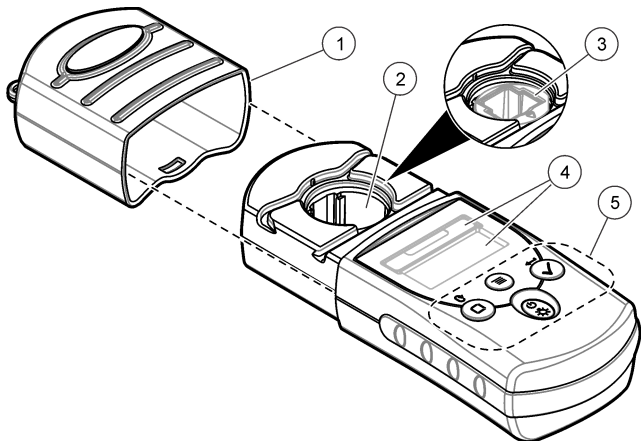
1. Flytta utrustningen bort från den utrustning som tar emot störningen.
2. Positionera om mottagningsantennen för den utrustning som tar emot störningen.
3. Prova med kombinationer av ovanstående.

Produktöversikt

Detta instrument är en bärbar filterfotometer som används för att kontrollera vatten. Se [Figur 71](#). Detta instrument är fabriksinställt för att mäta en eller två specifika parametrar. Instrumentet är fabrikskalibrerat. Användaren behöver inte kalibrera det.

Observera: Detta instrument är inte utvecklat för mätning av klor och kloraminer i medicinska tillämpningar i USA.

Figur 71 Instrumentöversikt



1 Instrumentlock	3 Cellhållare med 1 cm-celladapter ¹	5 Knappsats
2 Cellhållare	4 Display	

¹ Fabriksmonterad på vissa modeller

Start

Installera batterierna

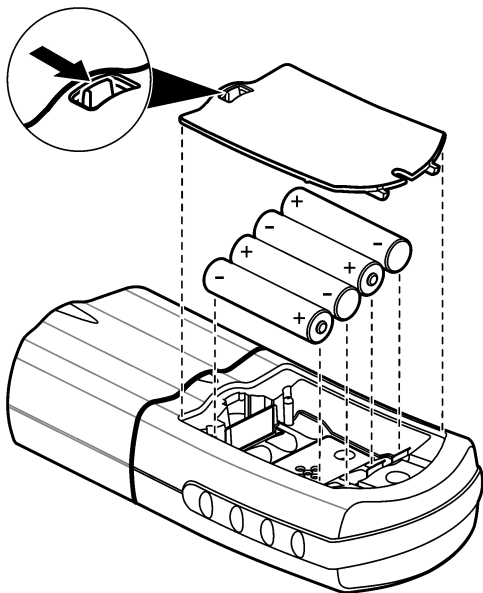
⚠ VARNING



Explosionsrisk. Felaktig placering av batterierna kan göra att explosiva gaser frisätts. Kontrollera att batterierna är av samma godkända kemiska typ och har placerats i rätt riktning. Blanda inte nya och redan använda batterier.

Installera batterierna i enlighet med [Figur 72](#).

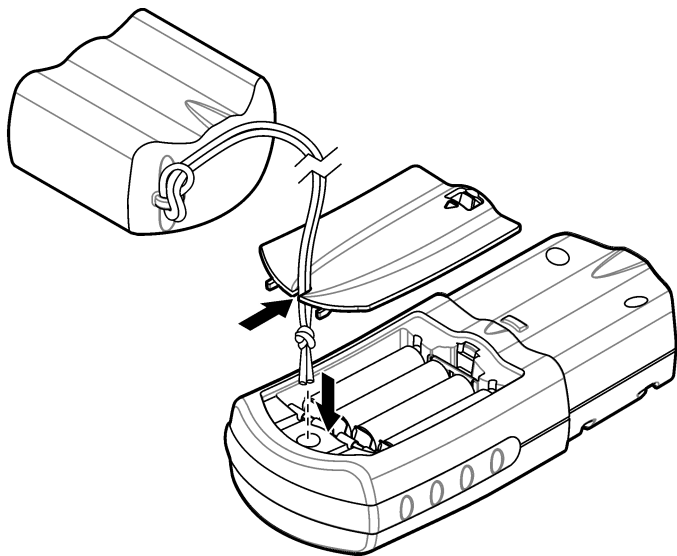
Figur 72 Installera batterierna



Montera snöret till locket

Montera snöret till locket för att förhindra att instrumentets lock försvinner. Se [Figur 73](#).

Figur 73 Montera snöret till locket

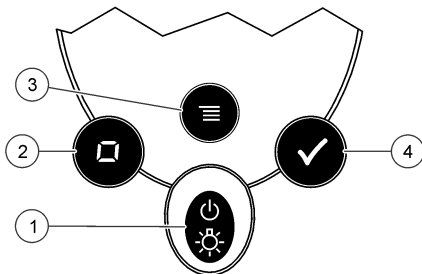


Användargränssnitt och navigering

Beskrivning av knappsetsen

[Figur 74](#) visar knappsetsen och beskriver huvudfunktionerna.

Figur 74 Knappsats



1 Knapp för ström/bakgrundsbelysning: Slår på och av strömmen. Håll knappen intryckt i 1 sekund för att slå på eller av bakgrundsbelysningen.	3 Menyknapp: Öppnar och stänger menyläget.
2 Knapp för nollställning/bläddring: Nollställer instrumentet, bläddrar mellan menyalternativ och nummer	4 Knapp för inläsning/inmatning: Startar en provmätning, väljer ett menyalternativ, flyttar markören till nästa siffra

Beskrivning av displayen.

Figur 75 visar värdena och symbolerna som visas i displayen.

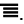


Figur 75 Display




1 Numerisk display: Uppmätt värde eller menyalternativ	4 Menysymbol: Instrumentet är i menyläget.
2 Symbol för mätområdet: Valt mätområde eller parameter	5 Symbol för ändrad kalibrering: Den fabriksinställda kalibreringen har ändrats eller en användaranpassad kalibreringskurva har matats in. Läs också den utökade användarhandboken på tillverkarens webbplats.
3 Värde för mätområdet: Mätområden eller parametrar	6 Symbol för låg batterinivå: Batterinivån är 10 %. Blinkar när batterinivån är för låg för att mätningar ska kunna slutföras.

Användning



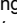
Konfigurera instrumentet

1. Tryck på .
2. Tryck på  för att bläddra i menyn. Tryck på  för att välja ett alternativ.

Alternativ	Beskrivning
------------	-------------

SEL	Inställning av mätområdet eller parameter. Tryck på  för att växla mellan mätområdena eller parametram.
-----	--

Alternativ Beskrivning

- 00:00** Ställer in tiden i 24-timmarsformat (tt:mm). Tryck på ✓ för att ändra tiden. Tryck på  för att ändra den första siffran och sedan på ✓ för att fortsätta till nästa siffra.
- rCL** Visar de senaste 10 mätningarna som lagrats. Tryck på ✓ för att visa mätningarna som lagrats (01 – den senaste mätningen, 10 – den äldsta mätningen). Tryck på ✓ för att bläddra bland mätningarna. Välj en mätning genom att trycka på  för att välja numret på mätningen och sedan ✓. Tryck på  för att stänga detta alternativ.
- SCA** Läs också den utökade användarhandboken på tillverkarens webbplats.

3. Tryck på  för att återvända till mätningläget.

Utför ett test



▲ VARNING



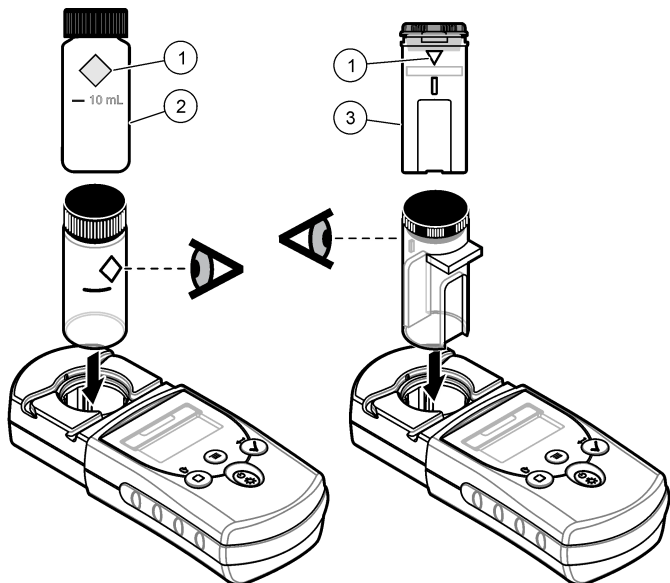
Risk för kemikalieexponering. Följ laboratoriets säkerhetsprocedurer och använd all personlig skyddsutrustning som lämpar sig för de kemikalier som hanteras. I de aktuella materialsäkerhetsdatabladerna (MSDS/SDS) finns säkerhetsprotokoll.

Nedan beskrivs de grundläggande stegen för att utföra ett test. Hänvisa till tillämplig metod för att köra ett visst test.

1. Välj passande mätområde eller parameter. Se [Konfigurera instrumentet](#) på sidan 188.
2. Förbered blankprovet i enlighet med metoddokumentet. Se till att använda rätt provcellstorlek. Skölj provcellen och locket med blankprovet innan provcellen fylls på.
3. Stäng provcellen och rengör de optiska ytorna på provcellen med en luddfri trasa.
4. Sätt i blankprovcellen i cellhållaren. Se till att montera blankprovcellen korrekt med rätt orientering så att resultaten blir mer repeterbara och exakta. Se [Figur 76](#).
5. Montera instrumentlocket över cellhållaren. Se [Figur 77](#).

6. Tryck på  för att nollställa instrumentet. Displayen visar "0.000" eller den upplösningsgrad som tidigare valts.
7. Förbered provet. Skölj provcellen och locket med provet tre gånger innan provcellen fylls på. Lägg till reagenser i enlighet med metoddokumentet.
8. Stäng provcellen och rengör de optiska ytorna på cellen med en luddfri trasa..
9. Sätt i provet i cellhållaren. Se till att montera provcellen korrekt med rätt orientering så att resultaten blir mer repeterbara och exakta. Se [Figur 76](#).
10. Montera instrumentlocket över cellhållaren. Se [Figur 77](#).
11. Tryck på . Displayen visar resultaten i koncentrationsenheter eller absorbans.
Observera: Resultatet blinkar om resultatet ligger utanför instrumentets område.
12. Ta ut det färdiga provet ur cellhållaren.
13. Töm och skölj provcellen med en gång. Skölj provcellen och locket tre gånger med avjoniserat vatten.

Figur 76 Orientering av provcell

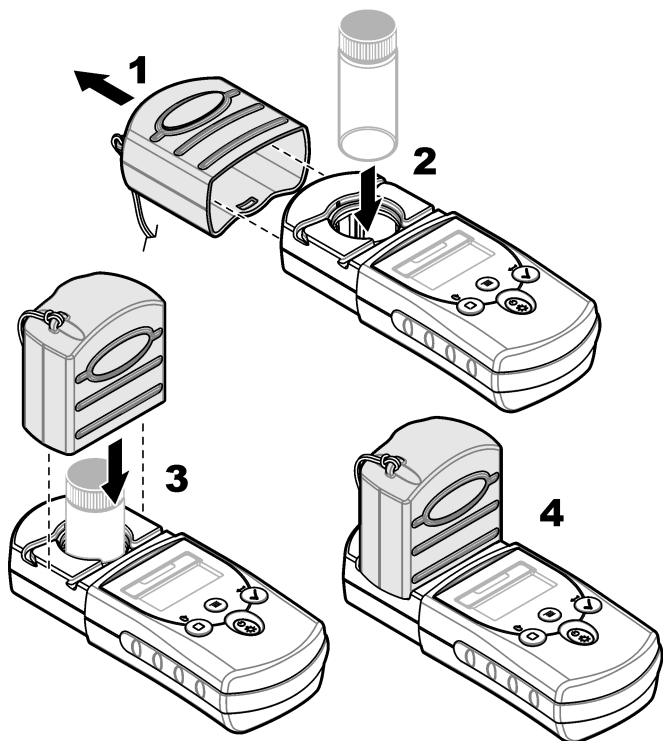


1 Orienteringsmärke

2 Provcell, 25-mm
(10 ml)

3 Provcell, 1-cm (10 ml)

Figur 77 Montera instrumentlocket över cellhållaren.



Visa lagrade mätningar

Se alternativet "rCL" i [Konfigurera instrumentet](#) på sidan 188.

Underhåll

⚠ FÖRSIKTIGHET



Flera risker. Endast kvalificerad personal får utföra de moment som beskrivs i den här delen av dokumentet.

ANMÄRKNING:

Ta inte isär instrumentet för att utföra underhåll. Kontakta tillverkaren om de inre delarna behöver rengöras eller repareras.

Rengör provcellerna

⚠ FÖRSIKTIGHET



Risk för kemikalieexponering. Följ laboratoriets säkerhetsprocedurer och använd all personlig skyddsutrustning som lämpar sig för de kemikalier som hanteras. I de aktuella materialsäkerhetsdatabladerna (MSDS/SDS) finns säkerhetsprotokoll.

⚠ FÖRSIKTIGHET



Risk för kemikalieexponering. Kassera kemikalier och avfall enligt lokala, regionala och nationella lagar.

De flesta rengöringsmedel för laboratorier används vid rekommenderade koncentrationer. Naturliga lösningsmedel, så som Liquinox, är säkrare att använda när regelbunden rengöring är nödvändig. För att minska rengöringstillfällena, öka temperaturen eller använd ett ultraljudsbad. Avsluta rengöringen med att skölja några gånger med avjoniserat vatten och sedan låta provcellen lufttorka. Provceller kan även rengöras med syra, följt av en grundlig sköljning med avjoniserat vatten.


Observera: Använd alltid syra för att rengöra provceller som har använts för att testa låga nivåer av metall.

Specialmetoder för rengöring krävs för individuella procedurer. Om en borste används för att rengöra provcellerna, var extra noga med att inte repa de inre ytorna på provcellerna.

Byta ut batterierna

Byt ut batterierna om batteriernas laddningsnivå är låg. Se [Installera batterierna](#) på sidan 184.

Felsökning

Fel	Beskrivning	Lösning
E-0	Ingen nollställning	En standardlösning uppmättes i användarkalibreringsläget innan instrumentet nollställdes. Mät en blanklösning för att nollställa instrumentet.
E-1	Omgivningsljusfel ¹	Omgivningsljuset tränger in i cellhållaren. Se till att instrumentlocket har monterats korrekt över cellhållaren.
E-2	LED-fel ¹	Det finns ingen spänning på lysdioden (ljuskällan). Byt ut batterierna. Kontrollera att lysdioden i cellhållaren tänds ✓ eller  trycks in.
E-3	Standardinställningsfel	<ul style="list-style-type: none"> • Det uppmätta värdet för standardlösningen ligger utanför inställningsgränserna. Förbered en ny standardlösning. • Standardlösningen ligger utanför koncentrationsområdet som kan användas för standardkalibreringsinställning. Förbered en standardlösning med ett värde som motsvarar eller ligger nära de rekommenderade koncentrationerna för processen. • Se till att standardlösningens koncentration är korrekt angiven.

Fel	Beskrivning	Lösning
E-6	Abs-fel	Absorbansvärdet är inte korrekt eller den användaranpassade kalibreringskurvan har färre än två punkter. Ange eller mät absorptionsvärdet igen.
E-7	Standardvärdesfel	Standardlösningen har samma koncentration som en annan standardlösningskoncentration som redan har matats in i den användaranpassade kalibreringskurvan. Mata in en korrekt standardkoncentration.
E-9	Flash-fel	Instrumentet kan inte spara data.
Avläsningen blinkar	Avläsningen ligger utanför instrumentets område. ²	Se till att instrumentlocket har monterats korrekt över cellhållaren om avläsningen ligger under instrumentets område. Mät en blanklösning. Om avläsningen av blanklösningen inte är lika med noll ska instrumentet nollställas igen.
		Kontrollera om det finns en lätt blockering i cellhållaren om avläsningen överskrider instrumentets område. Späd provet. Gör om testet.
		För fabrikskalibrerade program motsvarar max. och min. värdena alltid de fabrikskalibrerade värdena och kan inte ändras.

¹ Om felet E-1 eller E-2 inträffar vid en mätning visar displayen "_,_". Decimalen beror på kemin. Om felet E-1 eller E-2 inträffar när instrumentet nollställs ska instrumentet nollställas igen.

² Värdet som blinkar ligger 10 % över den övre testområdesgränsen.

Reservdelar

⚠ VARNING



Risk för personskada. Användning av ej godkända delar kan leda till personskador eller skador på instrumentet eller till att utrustningen inte fungerar som den ska. Reservdelar i det här avsnittet är godkända av tillverkaren.

Observera: Produkt- och artikelnummer kan variera i olika försäljningsregioner. Kontakta lämplig återförsäljare eller se företagets webbsida för att få kontaktinformation.

Reservdelar

Beskrivning	Antal	Produktnr.
AAA-batterier, alkaliska	4/pkt	4674300
Snöre till lock	1	5955900
Instrumentlock	1	5954800
Provcell, 25 mm (10 ml), med lock	6/pkt	2427606
Provcell, 1 cm (10 ml), med lock	2/pkt	4864302

Sisällysluettelo

[Tekniset tiedot](#) sivulla 197

[Yleistietoa](#) sivulla 198

[Käynnistys](#) sivulla 201

[Käyttöliittymä ja selaaminen](#)
sivulla 203

[Käyttö](#) sivulla 205

[Huolto](#) sivulla 210

[Vianmääritys](#) sivulla 211

[Varaosat](#) sivulla 212

Lisätiedot

Lisätietoja on valmistajan verkkosivuilla.

Tekniset tiedot

Tekniset tiedot voivat muuttua ilman ennakoilmoitusta.

Ominaisuus	Lisätietoja
Mitat (L x S x K)	6,1 x 3,2 x 15,2 cm (2,4 x 1,25 x 6 tuumaa)
Kotelo	IP67, vesitiivis 30 minuutin ajan 1 metrin (3,3 jalan) syvyydessä (ei koske paristokotelo). Pidä poissa suorasta auringonpaisteesta.
Valonlähde	LED
Detektori	Silikoninen fotodiodi
Näyttö	LCD-näyttö taustavalolla
Paino	0,2 kg (0,43 lb)
Ympäristöhaittaluokka	2
Asennusluokka	I
Suojausluokka	3
Tehovaatimukset	4 AAA-paristoa; kesto noin 2000 testiä (taustavalon käyttö pienentää testimäärää) Ladattavia paristoja ei suositella.
Käyttöympäristö	0–50 °C (32–122 °F), 0–90 %:n tiivistymätön suhteellinen kosteus
Säilytyslämpötila	–20...55 °C (–7,6...131 °F)
Fotometrinen tarkkuus	± 0,0015 Abs

Ominaisuus	Lisätietoja
Aallonpituus	Kiinteä aallonpituus ± 2 nm, vaihtelee mallikohtaisesti
Suodattimen kaistanleveys	15 nm
Absorbanssialue	0–2,5 Abs
Näyteastian mitat	1 cm (5–10 ml), 25 mm (10 ml)
Muisti	10 viimeisintä mittausta
Sertifioinnit	CE-merkintä
Takuu	2 vuotta

Yleistietoa

Valmistaja ei ole missään tapauksessa vastuussa suorista, epäsuorista, erityisistä, tuottamuksellisista tai välillisistä vahingoista, jotka johtuvat mistään tämän käyttöohjeen virheestä tai puutteesta. Valmistaja varaa oikeuden tehdä tähän käyttöohjeeseen ja kuvaamaan tuotteeseen muutoksia koska tahansa ilman eri ilmoitusta tai velvoitteita. Päivitetyt käyttöohjeet ovat saatavana valmistajan verkkosivuilta.

Turvallisuustietoa

HUOMAUTUS

Valmistaja ei ole vastuussa mistään virheellisestä käytöstä aiheuvista vahingoista mukaan lukien rajoituksetta suorista, satunnaisista ja välillisistä vahingoista. Valmistaja sanoutuu irti tällaisista vahingoista soveltuvien lakien sallimissa rajoissa. Käyttäjä on yksin vastuussa sovellukseen liittyvien kriittisten riskien arvioinnista ja sellaisten asianmukaisten mekanismien asentamisesta, jotka suojaavat prosesseja laitteen toimintahäiriön aikana.

Lue nämä käyttöohjeet kokonaan ennen tämän laitteen pakkauksesta purkamista, asennusta tai käyttöä. Kiinnitä huomiota kaikkiin vaara- ja varotoimilausekkeisiin. Niiden laiminlyönti voi johtaa käyttäjän vakavaan vammaan tai laitteistovaurioon.

Jotta laitteen suojaus ei heikentyisi, sitä ei saa käyttää tai asentaa muuten kuin näissä ohjeissa kuvatulla tavalla.

Vaaratilanteiden merkintä

▲ VAARA

Ilmoittaa mahdollisesti vaarallisesta tai välittömän vaaran aiheuttavasta tilanteesta, joka aiheuttaa kuoleman tai vakavan vamman.

▲ VAROITUS

Osoittaa potentiaalisesti tai uhkaavasti vaarallisen tilanteen, joka, jos sitä ei vältetä, voisi johtaa kuolemaan tai vakavaan vammaan.

▲ VAROTOIMI



Ilmoittaa mahdollisesti vaarallisesta tilanteesta, joka voi aiheuttaa lievän tai kohtalaisen vamman.

HUOMAUTUS

Ilmoittaa tilanteesta, joka saattaa aiheuttaa vahinkoa laitteelle. Tieto, joka vaatii erityistä huomiota.

Varoitustarrat

Lue kaikki laitteen tarrat ja merkinnät. Henkilövamma tai laitevaurio on mahdollinen, jos ohjeet laiminlyödään. Laitteen symboliin viitataan käsikirjassa, ja siihen on liitetty varoitus.

	Tämä symboli, jos se on merkitty kojeeseen, viittaa kojeen käsikirjaan käyttö- ja/tai turvallisuustietoja varten.
	Sähkölaitteita, joissa on tämä symboli, ei saa hävittää yleisille tai kotitalousjätteille tarkoitetuissa eurooppalaisissa jätteiden hävitysjärjestelmissä. Vanhat tai käytöstä poistetut laitteet voi palauttaa maksutta valmistajalle hävittämistä varten.

Sertifiointi

Canadian Radio Interference-Causing Equipment Regulation, IECs-003, luokka A:

Tarkemmat testitulokset ovat valmistajalla.

Tämä luokan A digitaalinen laite vastaa kaikkia Kanadan häiriöitä tuottavista laitteista annettujen säädösten vaatimuksia.

Cet appareil numérique de classe A répond à toutes les exigences de la réglementation canadienne sur les équipements provoquant des interférences.

FCC Osa 15, luokan "A" rajoitukset

Tarkemmat testitulokset ovat valmistajalla. Laite vastaa FCC-säädösten osaa 15. Laitteen toimintaa koskevat seuraavat ehdot:

1. Laite ei saa aiheuttaa haitallisia häiriöitä.
2. Laitteen on voitava vastaanottaa häiriöitä, mukaan lukien häiriöt, jotka voivat olla syynä epätoivottuun toimintaan.

Tähän laitteeseen tehty, muut kuin yhteensopivuudesta vastaavan osapuolen hyväksymät muutokset tai muokkaukset saattavat johtaa käyttäjän menettämään oikeutensa käyttää tätä laitetta. Tämä laite on testattu ja sen on todettu olevan luokan A digitaalinen laite, joka vastaa FCC-säädösten osaa 15. Nämä rajoitukset on laadittu antamaan kohtuullinen suoja haitallisilta häiriöiltä, kun laitetta käytetään kaupallisessa ympäristössä. Tämä laite kehittää, käyttää ja saattaa säteillä radiotaajuusenergiaa, ja näiden ohjeiden vastaisesti asennettuna tai käytettynä se saattaa aiheuttaa haitallisia häiriöitä radioliikenteeseen. Tämän laitteen käyttö asuinalueella aiheuttaa todennäköisesti haitallisia häiriöitä, missä tapauksessa käyttäjän on korjattava tilanne omalla kustannuksellaan. Häiriöitä voidaan vähentää seuraavilla tavoilla:

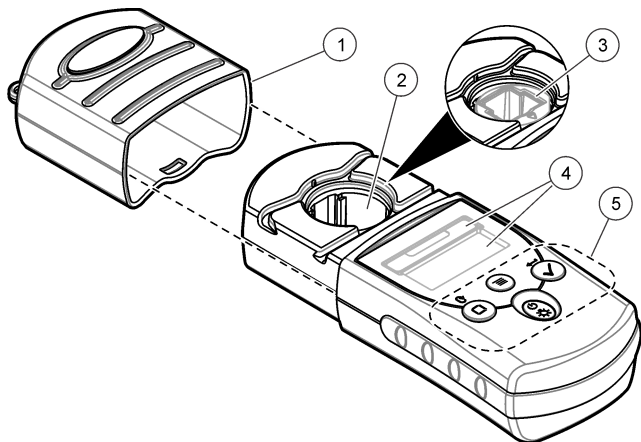
1. Siirrä laite kauemmas häiriötä vastaanottavasta laitteesta.
2. Sijoita häiriötä vastaanottavan laitteen antenni toiseen paikkaan.
3. Kokeile edellä annettujen ohjeiden yhdistelmiä.

Tuotteen yleiskuvaus

Tämä laite on kannettava suodatinfotometri, jota käytetään veden tutkimiseen. Katso kohta [Kuva 78](#). Laite on määritetty tehtaalla mittaamaan yhtä tai kahta parametria. Laite on kalibroitu tehtaalla. Käyttäjän ei tarvitse kalibroida laitetta.

Huomautus: Tätä laitetta ei ole hyväksytty lääketieteellisten sovellusten kloorin ja kloramiinien mittaukseen Yhdysvalloissa.

Kuva 78 Laitteen yleiskuvauk



1 Laitteen kansi	3 Näyteastian pidike ja 1 cm:n kyvettiadapteri ¹	5 Näppäimistö
2 Näyteastian pidike	4 Näyttö	

¹ Tehdasasennettuna joissakin malleissa

Käynnistys

Paristojen asentaminen

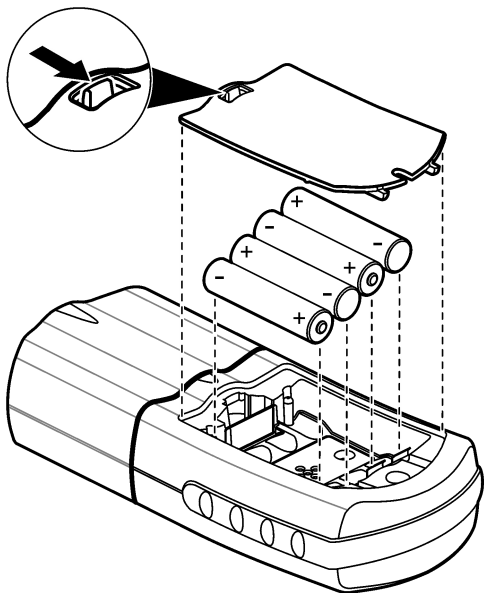
VAROITUS



Räjähdyksvaara. Akun asentaminen väärin voi vapauttaa räjähtäviä kaasuja. Varmista, että akut ovat samaa hyväksyttyä kemiallista tyyppiä ja että ne on asennettu oikein päin. Älä käytä uusia ja vanhoja akkuja sekaisin.

Asenna paristot kuvan [Kuva 79](#) mukaisesti.

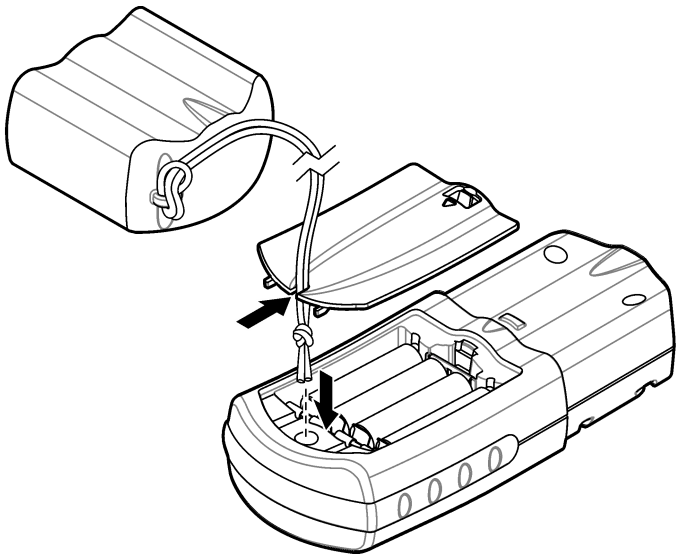
Kuva 79 Paristojen asentaminen



Kannen kiinnitysnauhan asentaminen

Kiinnitä kannen kiinnitysnauha paikalleen. Näin estät laitteen kannen katoamisen. Katso kohta [Kuva 80](#).

Kuva 80 Kannen kiinnitysnauhan asentaminen

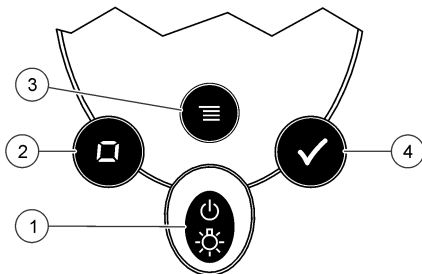


Käyttöliittymä ja selaaminen

Näppäimistön kuvaus

Näppäimistö ja näppäinten toiminnot on kuvattu kuvassa [Kuva 81](#).

Kuva 81 Näppäimistö



<p>1 Virta-/taustavalonnäppäin: kytkee ja katkaisee virran. Kytke taustavalo käyttöön tai pois käytöstä painamalla näppäintä 1 sekunnin ajan.</p>	<p>3 Valikkonäppäin: käytetään valikkotilaan siirtymiseen ja valikkotilasta poistumiseen.</p>
<p>2 Nolla-/selausnäppäin: käytetään laitteen nollatason määrittämiseen ja valikkovaihtoehtojen ja numeroiden selaamiseen.</p>	<p>4 Luku-/Enter-näppäin: käytetään näytteen mittauksen aloittamiseen, valikkovaihtoehtojen valitsemiseen ja kohdistimen siirtämiseen seuraavan merkin kohdalle.</p>

Näytön kuvaus

Näytössä näkyvät arvot ja kuvakkeet on esitelty kuvassa [Kuva 82](#).




Kuva 82 Näyttö




1 Numeronäyttö: mitattu arvo tai valikon vaihtoehto	4 Valikkokuvake: laite on valikkotilassa.
2 Aluekuvake: valittu alue tai parametri	5 Kalibroinnin säätökuvake: tehdaskalibroitua on säädetty tai käyttäjä on lisännyt kalibrointikäyrän. Katso ohjeita valmistajan verkkosivustossa olevasta laajennetusta käyttöoppaasta.
3 Aluearvo: alueet tai parametrit	6 Alhainen paristojen varaus - kuvake: paristojen varauksesta on jäljellä 10 %. Kuvake vilkkuu, kun paristojen varaus on liian alhainen mittausten suorittamiseen.

Käyttö

Laitteen asetusten määrittäminen

1. Paina -painiketta.
2. Selaa valikkovaihtoehtoja painamalla -näppäintä. Valitse vaihtoehto painamalla -näppäintä.

Vaihtoehto Kuvaus

SEL	Mittausalueen tai parametrin asetus. Voit siirtyä mittausalueesta tai parametrasta toiseen painamalla  -näppäintä.
------------	---

Vaihtoehto Kuvaus

- 00:00** Ajan asetus 24 tunnin esitysmuodossa (hh:mm). Voit muuttaa aikaa painamalla ✓-näppäintä. Muuta ensimmäistä merkkiä painamalla □-näppäintä ja siirry seuraavaan merkkiin painamalla ✓-näppäintä.
- rCL** Näyttää 10 viimeisintä tallennettua mittaustulosta. Näet tallennetut mittaustulokset painamalla ✓-näppäintä (01 = viimeisin mittaustulos, 10 = vanhin mittaustulos). Voit selata mittaustuloksia painamalla ✓-näppäintä. Jos haluat valita mittaustuloksen numeron perusteella, valitse ensin numero painamalla □-näppäintä ja paina sitten ✓-näppäintä. Voit poistua painamalla ≡-näppäintä.
- SCA** Katso ohjeita valmistajan verkkosivustossa olevasta laajennetusta käyttöoppaasta.

3. Palaa mittaustilaan painamalla ≡-näppäintä.

Testin suorittaminen


▲ VAROITUS



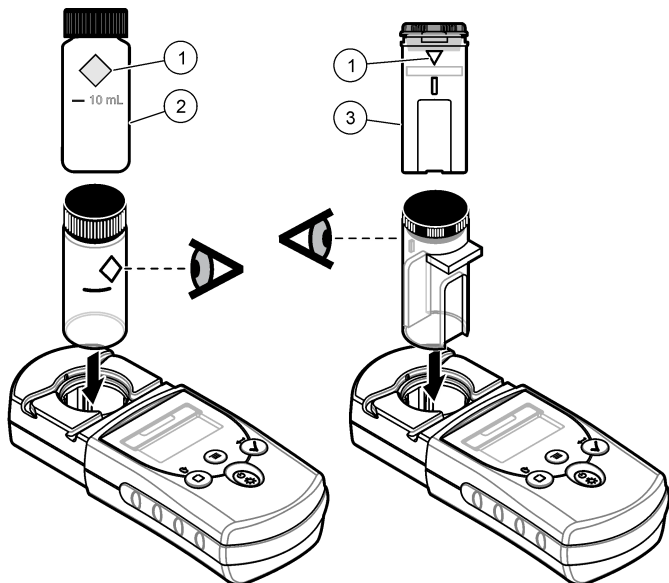
Kemikaalille altistumisen vaara. Noudata laboratorion turvallisuusohjeita ja käytä käsiteltäville kemikaaleille soveltuvia suojavarusteita. Lue turvallisuusprotokollat ajan tasalla olevista käyttöturvatieotteista (MSDS/SDS).

Testin suorittamiseen tarvittavat mittauksen perusvaiheet on lueteltu alla. Suorita tietty testi asianmukaisen menetelmän mukaisesti.

1. Valitse soveltuva mittausalue tai parametri. Katso kohta [Laitteen asetusten määrittäminen](#) sivulla 205.
2. Valmistele nollanäyte menetelmädokumentin mukaisesti. Varmista, että käytät oikeankokoista näyteastiaa. Huuhtelee näyteastia ja kansi nollanäytteellä ennen näyteastian täyttämistä.
3. Sulje näyteastia ja puhdista näyteastian optiset pinnat nukkaamattomalla liinalla.
4. Aseta nollanäyteastia näyteastian pidikkeeseen. Muista asentaa näyteastia oikeassa ja yhdenmukaisessa asennossa, jotta tuloksista tulee paremmin toistettavia ja tarkempia. Katso kohta [Kuva 83](#).

5. Aseta laitteen kansi näyteastian pidikkeen päälle. Katso kohta [Kuva 84](#).
6. Määritä laitteen nollataso painamalla -näppäintä. Näytössä näkyy "0.000" tai aiemmin valittu tarkkuus.
7. Valmistele näyte. Huuhtelee näyteastia ja kansi näytteellä kolme kertaa ennen näyteastian täyttämistä. Lisää reagenssejä menetelmädokumentin mukaisesti.
8. Sulje näyteastia ja puhdista näyteastian optiset pinnat nukattomalla liinalla..
9. Aseta näyte näyteastian pidikkeeseen. Muista asentaa näyteastia oikeassa ja yhdenmukaisessa asennossa, jotta tuloksista tulee paremmin toistettavia ja tarkempia. Katso kohta [Kuva 83](#).
10. Aseta laitteen kansi näyteastian pidikkeen päälle. Katso kohta [Kuva 84](#).
11. Valitse ✓. Näyttö näyttää tulokset konsentraatioyksikköinä tai absorbanssina.
***Huomautus:** Tulos vilkkuu, jos se ylittää tai alittaa laitteen mittausalueen.*
12. Irrota valmisteltu näyte näyteastian pidikkeestä.
13. Tyhjennä ja huuhtelee näyteastia välittömästi. Huuhtelee näyteastia ja kansi kolme kertaa deionisoidulla vedellä.

Kuva 83 Näyteastian suunta

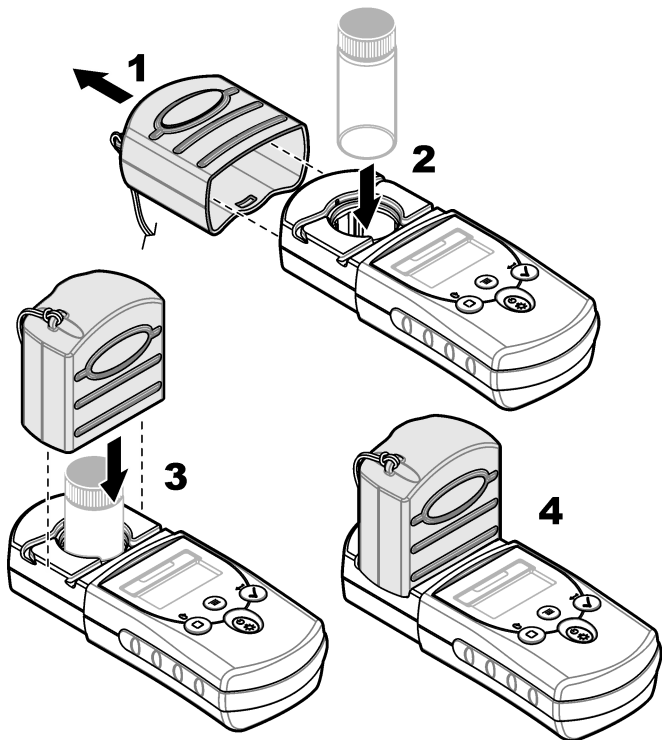


1 Suuntamerkki

2 Näyteastia, 25 mm
(10 ml)

3 Näyteastia, 1 cm
(10 ml)

Kuva 84 Aseta laitteen kansi näyteastian pidikkeen päälle.



Tallennettujen tulosten tarkasteleminen

Lue rCL-valikkotoiminnosta kohdasta [Laitteen asetusten määrittäminen](#) sivulla 205.

Huolto

▲ VAROTOIMI



Useita vaaroja. Vain ammattitaitoinen henkilö saa suorittaa käyttöohjeen tässä osassa kuvatut tehtävät.

HUOMAUTUS

Älä pura laitetta huoltamista varten. Jos laitteen sisällä olevia osia on puhdistettava tai korjattava, ota yhteys valmistajaan.

Laitteen puhdistaminen

Puhdista instrumentin ulkopinta kostealla liinalla ja laimealla saippualliuoksella ja pyyhi se sitten kuivaksi.

Näyteastioiden puhdistaminen

▲ VAROTOIMI



Kemikaalille altistumisen vaara. Noudata laboratorion turvallisuusohjeita ja käytä käsiteltäville kemikaaleille soveltuvia suojavarusteita. Lue turvallisuusprotokollat ajan tasalla olevista käyttöturvatiiedoista (MSDS/SDS).



▲ VAROTOIMI



Kemikaalille altistumisen vaara. Hävitä kemikaalit ja muut jätteet paikallisten ja kansallisten säädösten mukaisesti.

Useimpia laboratoriopuhdistusaineita käytetään suositelluin pitoisuuksin. Neutraalit pesuaineet, kuten Liquinox, ovat turvallisempia käyttää säännöllisessä puhdistuksessa. Voit lyhentää puhdistusaikaa kasvattamalla lämpötilaa tai käyttämällä yliäänikylpyä. Huuhtelee lopuksi deionisoidulla vedellä ja anna sitten näyteastian kuivua. Näyteastiat voidaan myös puhdistaa hapolla ja sitten huuhdella huolellisesti deionisoidulla vedellä.


Huomautus: Puhdista matalan tason metallitesteihin käytetyt näyteastiat aina hapolla.

Yksittäisissä menetelmissä vaaditaan erityisiä puhdistusmenetelmiä. Kun näyteastiat puhdistetaan harjalla, varo, ettet naarmuta niiden sisäpintoja.

Paristojen vaihtaminen

Vaihda paristot, kun niiden varaus on alhainen. Katso kohta [Paristojen asentaminen](#) sivulla 201.

Vianmääritys


Virhe	Kuvaus	Ratkaisu
E-0	Ei nollaa	Standardiliuos on mitattu käyttäjän kalibrointitilassa ennen laitteen nollassa määrittämistä. Määritä laitteen nollassa mittaamalla nollassa.
E-1	Ympäristön valon aiheuttama virhe ¹	Näyteastian pidikkeeseen pääsee valoa ympäristöstä. Varmista, että laitteen kansi on kokonaan näyteastian pidikkeen päällä.
E-2	LED-virhe ¹	LED (valonlähde) ei toimi oikein. Vaihda paristot. Varmista, että näyteastian pidikkeen LED-valo syttyy, kun painat ✓- tai  -näppäintä.
E-3	Standardisäätövirhe	<ul style="list-style-type: none">• Standardiliuoksen mitattu arvo on säätörajojen ulkopuolella. Valmistelee uusi standardiliuos.• Standardiliuos ei ole standardikalibroinnin säätämiseen käytettävän konsentraatioalueen sisäpuolella. Valmistelee standardiliuos, jonka konsentraatio on sama kuin ohjeissa suositeltu konsentraatio tai lähellä sitä.• Varmista, että syötät standardiliuoksen konsentraation oikein.
E-6	Abs-virhe	Absorbanssiarvo ei ole oikea tai käyttäjän syöttämässä kalibrointikäyrässä on vähemmän kuin kaksi pistettä. Syötä tai mittaa absorbanssiarvo uudelleen.

Virhe	Kuvaus	Ratkaisu
E-7	Standardiarvirhe	Standardiliuoksen konsentraatio on sama kuin toisen standardiliuoksen konsentraatio, joka on jo syötetty käyttäjän syöttämään kalibrointikäyrään. Syötä oikea standardikonsentraatio.
E-9	Flash-virhe	Laite ei pysty tallentamaan tietoja.
Lukema vilkkuu	Lukema on laitteen mittausalueen ylä- tai alapuolella. ²	Jos lukema on laitteen mittausalueen alapuolella, varmista, että laitteen kansi on kokonaan näyteastian pidikkeen päällä. Mittaa nollaliuos. Jos tulos ei ole nolla, määritä laitteen nollataso uudelleen.
		Jos tulos ylittää laitteen mittausalueen, tarkista, onko näyteastian pidikkeessä valon kulun estävä este. Laimenna näytettä. Suorita testi uudelleen.
		Tehtaalla kalibroituissa ohjelmissa enimmäis- ja vähimmäisarvot vastaavat aina tehtaalla kalibroituja arvoja, eikä niitä voi muuttaa.

¹ Kun mittauksen aikana tapahtuu E-1- tai E-2- virhe, näytössä näkyy " _ . _ ". Desimaalien määrä vaihtelee kemiallisen reaktion mukaan. Jos E-1- tai E-2- virhe sattuu nollatason määrittämisen aikana, määritä laitteen nollataso uudelleen.

² Vilkkuva arvo on 10 % ylemmän testialueen rajan yläpuolella.

Varaosat

▲ VAROITUS	
	Henkilövahinkojen vaara. Hyväksymättömien osien käyttö voi aiheuttaa henkilövahingon tai laitteen toimintahäiriön tai vaurioittaa laitetta. Tässä osassa esitellyt varaosat ovat valmistajan hyväksymiä.

Huomautus: Tuote- ja artikkelinumerot voivat vaihdella joillain markkina-alueilla. Ota yhteys asianmukaiseen jälleenmyyjään tai hae yhteystiedot yhtiön Internet-sivustolta.

Varaosat

Kuvaus	Määrä	Osanumer o
AAA-alkaliparistot	4 kpl/pakkaus	4674300
Kannen kiinnitysnauha	1	5955900
Laitteen kansi	1	5954800
Näyteastia, 25 mm (10 ml), mukana kannet	6 kpl/pakkaus	2427606
Näyteastia, 1 cm (10 ml), mukana kannet	2 kpl/pakkaus	4864302

Съдържание

Спецификации на страница 214

страница 215

Включване на страница 219

Потребителски интерфейс и навигация на страница 221

Операция на страница 223

Поддръжка на страница 228

Откриване и отстраняване на неизправности на страница 229

Резервни части на страница 231

Допълнителна информация

Допълнителна информация е налице на уебсайта на производителя.

Спецификации

Спецификациите подлежат на промяна без уведомяване.

Спецификация	Детайли
Размери (Ш x Д x В)	6.1 x 3.2 x 15.2 cm (2.4 x 1.25 x 6 in.)
Корпус	IP67, водоустойчив до 1 m (3.3 ft) за 30 минути (без отделението за батерии). Да се пази от пряка слънчева светлина.
Светлинен източник	Светодиод (LED)
Детектор	Силиконов фотодиод
Дисплей	LCD с подсветка
Тегло	0.2 kg (0.43 lb)
Степен на замърсяване	2
Категория на инсталацията	1
Клас на защита	3
Изисквания към захранването	4 AAA батерии; приблизителен експлоатационен срок за 2000 теста (използването на подсветка намалява броя на тестовите) Не се препоръчва да се използват акумулаторни батерии.

Спецификация	Детайли
Работна среда	0 до 50° C (32 до 122° F), 0 до 90% относителна влажност, не настъпва кондензация
Температура на съхранение	-20 до 55° C (-7.6 до 131° F)
Фотометрична точност	± 0.0015 Abs
Дължина на вълната	Фиксирана дължина на вълната ±2 nm, различна за всеки модел
Лента на пропускане на филтъра	15 nm
Диапазон на абсорбцията	0 до 2.5 Abs
Кювета с дължина на оптичния път	1 cm (5–10 mL), 25 mm (10 mL)
Съхраняване на данни	Последните 10 измервания
Сертифициране	CE маркировка
Гаранция	2 години

Информация за безопасността

Забележка

Производителят не носи отговорност за никакви повреди, възникнали в резултат на погрешно приложение или използване на този продукт, включително, без ограничения, преки, случайни или възникнали впоследствие щети, и се отхвърля всяка отговорност към такива щети в пълната позволена степен от действащото законодателство. Потребителят носи пълна отговорност за установяване на критични за приложението рискове и монтаж на подходящите механизми за подsigуряване на процесите по време на възможна неизправност на оборудването.

Моля, внимателно прочетете ръководството преди разопаковане, инсталиране и експлоатация на оборудването. Обръщайте внимание на всички твърдения за опасност и предпазливост. Пренебрегването им може да има за резултат сериозни наранявания на оператора или повреда на оборудването.

(Уверете се, че защитата, осигурена от това оборудване, не е занижена. Не го използвайте и не го монтирайте по начин, различен от определения в това ръководство.

Използване на информация за опасностите

▲ ОПАСНОСТ

Показва наличие на потенциална или непосредствена опасна ситуация, която, ако не бъде избегната, ще предизвика смъртоносно или сериозно нараняване.

▲ ПРЕДУПРЕЖДЕНИЕ

Указва потенциално или непосредствено опасна ситуация, която, ако не бъде избегната, може да доведе до смърт или сериозно нараняване.

▲ ВНИМАНИЕ



Показва наличие на потенциално опасна ситуация, която може да предизвика леко или средно нараняване.

Забележка

Показва ситуация, която ако не бъде избегната, може да предизвика повреда на инструмента. Информация, която изисква специално изтъкване.

Предпазни надписи

Прочетете всички надписи и етикети, поставени на инструмента. Неспазването им може да доведе до физическо нараняване или повреда на инструмента. Символът върху инструмента е описан в ръководството с препоръка за повишено внимание.

	Ако е отбелязан върху инструмента, настоящият символ означава, че е необходимо да се направи справка с ръководството за работа и/или информацията за безопасност.
	Електрическо оборудване, което е обозначено с този символ, не може да бъде изхвърляно в европейските частни или публични системи за изхвърляне на отпадъци. Оборудването, което е остаряло или е в края на жизнения си цикъл, трябва да се връща на производителя, без да се начисляват такси върху потребителя.

Сертифициране

Канадска разпоредба за съоръжения, предизвикващи радиосмущения, IECIS-003, клас "А":

Поддържането на тестовите записи е задължение на производителя.

Тази цифрова апаратура от клас "А" съответства на всички изисквания на канадските разпоредби за съоръжения, предизвикващи смущения.

Cet appareil numérique de classe A répond à toutes les exigences de la réglementation canadienne sur les équipements provoquant des interférences.

ФКК (Федерална комисия по комуникациите) част 15, ограничения относно клас "А"

Поддържането на тестовите записи е задължение на производителя. Това устройство съответства на част 15 от наредбите на ФКК. Работата с него представлява предмет на следните условия:

1. Оборудването не може да причинява вредни смущения.
2. Оборудването трябва да приема всички получени смущения, включително такива, които могат да причинят нежелан начин на работа.

Промени или модификации на това оборудване, които не са изрично одобрени от страните, отговорни за неговата съвместимост, могат да доведат до анулиране на правото за експлоатация на оборудването. Оборудването е тествано, като е установена неговата съвместимост с ограниченията за цифрово устройство от клас "А", което е в съответствие с част 15 от наредбите на ФКК. Тези ограничения са предназначени да осигурят разумна защита срещу вредни смущения при работа на оборудването, когато това става в търговска среда. Оборудването генерира, използва и може да излъчва радиочестотна енергия, като в случай че не бъде инсталирано и експлоатирано в съответствие с ръководството за употреба, може да предизвика вредни смущения на радио комуникациите. Възможно е работата на това оборудване в жилищни зони да доведе до вредни смущения, при който случай потребителят ще трябва да коригира

смущенията за своя сметка. За намаляване на проблемите със смущенията могат да се използват следните техники:

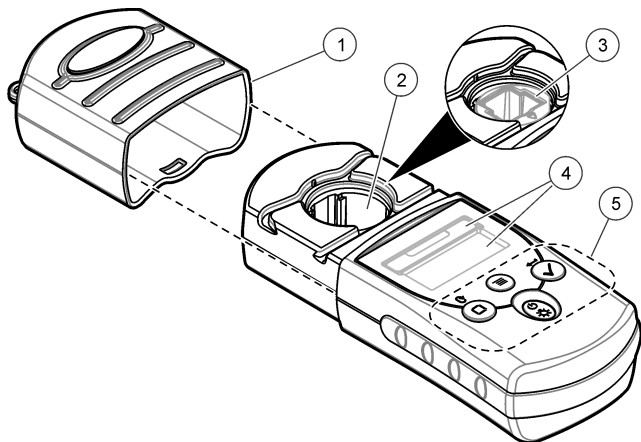
1. Отдалечете оборудването от устройството, което приема смущенията.
2. Променете положението на приемателната антена на устройството, което приема смущенията.
3. Опитайте да приложите комбинация от горните мерки.

Общ преглед на продукта

Този инструмент е преносим филтърен фотометър, който се използва за анализ на вода. Вижте [Фигура 85](#). Този инструмент е фабрично конфигуриран да измерва един или два специфични параметъра. Този инструмент е със заводско калибриране. Не е необходимо да се калибрира от потребителя.

***Забележка:** Този инструмент няма оценка за измерване на хлор и хлорамини за медицински приложения в САЩ.*

Фигура 85 Общ преглед на инструмента



1 Капачка на инструмента	3 Държател за кювети с адаптер за кювети 1 cm ¹	5 Клавиатура
2 Държател за кювети	4 Дисплей	

¹ Фабрично монтиран при някои модели

Включване

Поставяне на батериите

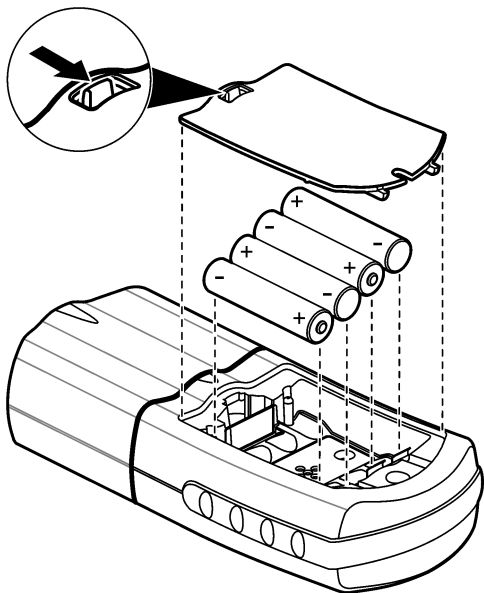
▲ ПРЕДУПРЕЖДЕНИЕ



Опасност от експлозия. Неправилното поставяне на батериите може да доведе до освобождаването на експлозивни газове. Уверете се, че батериите са от един и същ одобрен химически модел и са поставени с правилна ориентация. Не смесвайте нови със стари батерии.

Поставете батериите както е показано на [Фигура 86](#).

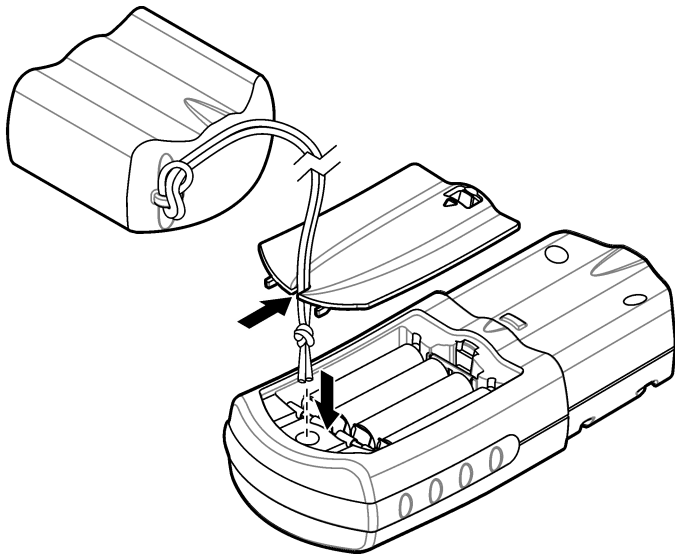
Фигура 86 Поставяне на батериите



Поставяне на шнурчето за капачката

Завържете шнурчето за капачката, за да се предотврати изгубването на капачката. Вижте [Фигура 87](#).

Фигура 87 Поставяне на шнурчето за капачката

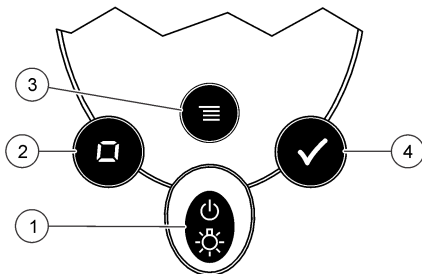


Потребителски интерфейс и навигация

Описание на клавиатурата

На [Фигура 88](#) е показана клавиатурата и са описани функциите на клавишите.

Фигура 88 Клавиатура



1 Клавиш Захранване/Подсветка: Включва и изключва електрическото захранване. Натиснете и задръжте 1 секунда, за да се включи или изключи подсветката.	3 Клавиш Меню: включва и изключва режим Меню.
2 Клавиш Нула/Превъртане: За корекция на нулата на инструмента, за превъртане на опциите в менюто и числата	4 Клавиш Четене/Въвеждане: Стартира измерване, избира опция от менюто, премества курсора на следващата цифра.

Описание на дисплея

На [Фигура 89](#) са показани величините и иконите, намиращи се на дисплея.

Фигура 89 Дисплей



<p>1 Цифров дисплей: Измерена стойност или опции на менюто</p>	<p>4 Икона Меню: Уредът е в режим Меню.</p>
<p>2 Икона на диапазона: Избран диапазон или параметър</p>	<p>5 Икона на зададено калибриране: Зададено е заводско калибриране или е зададена калибровъчна крива, въведена от потребителя. Вижте разширеното ръководство за потребителя на уеб сайта на производителя.</p>
<p>3 Стойност на диапазона: Диапазон(и) или параметри</p>	<p>6 Икона за изтощена батерия: Нивото на заряд е 10%. Мига, когато нивото на заряд на батерията е твърде ниско за изпълнение на измерването.</p>

Операция




Конфигуриране на уреда

1. Натиснете
2. Натиснете за превъртане на опциите в менюто. Натиснете , за да изберете опция.

Опция	Описание
-------	----------

- | | |
|------------|---|
| SEL | Задава измервателния диапазон или параметър. Натиснете , за да превключите между измервателните диапазони или параметрите. |
|------------|---|

Опция Описание

- 00:00** Задава часа в 24-часов формат (чч:мм). Натиснете ✓, за да промените часа. Натиснете , за да промените първата цифра, а след това ✓, за да преминете на следващата цифра.
- rCL** Показва последните 10 записани измервания. Натиснете ✓, за да се покажат записаните измервания (01—последно измерване, 10—най-старо измерване). Натиснете ✓, за да прегледате измерванията. За да изберете измерване по номер, натиснете , за да изберете номера и след това натиснете ✓. Натиснете , за да излезете от тази опция.
- SCA** Вижте разширеното ръководство за потребителя на уеб сайта на производителя.

3. Натиснете , за да се върнете в режим на измерване.

Провеждане на тест

▲ ПРЕДУПРЕЖДЕНИЕ





Опасност от химическа експлозия. Спазвайте лабораторните процедури за безопасност и носете пълното необходимо лично предпазно оборудване при боравене със съответните химически вещества. За информация относно протоколите по безопасност разгледайте информационните листи за безопасност на материала (MSDS/SDS).

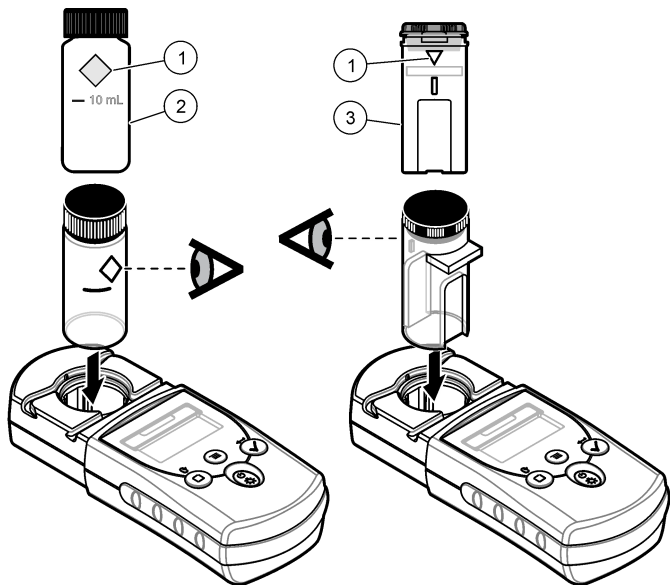
Основните фази на измерване, необходими за провеждането на тест, са както следва: Вижте приложимия метод, за да изпълните определен тест.

1. Изберете приложим измервателен диапазон или параметър
Вижте [Конфигуриране на уреда](#) на страница 223.
2. Подгответе контролна проба съгласно документацията на метода. Уверете се, че ще използвате кювета с подходящ размер. Изплакнете кюветата и капачката с контролната проба, преди да напълните кюветата.
3. Затворете кюветата и почистете оптичните чела на кюветата с немъхеста кърпа.
4. Поставете празната кювета за проба в държателя за кювети.
Уверете се, че поставяте празната кювета с правилна и

подходяща ориентация, така че резултатите да бъдат по-повторяеми и точни. Вижте [Фигура 90](#).

5. Поставете капачката на инструмента на държателя за кювети. Вижте [Фигура 91](#).
6. Натиснете , за да настроите нулата на инструмента. На дисплея се извежда "0.000" или резолюцията, избрана преди това.
7. Подгответе пробата. Изплакнете кюветата и капачката с пробата три пъти, преди да напълните кюветата. Добавете реагенти, както е посочено в документацията на метода.
8. Затворете кюветата и почистете оптичните повърхности на кюветата с немъхеста кърпа..
9. Поставете пробата в държателя за кювети. Уверете се, че поставяте празната кювета с правилна и с подходяща ориентация, така че резултатите да бъдат по-повторяеми и точни. Вижте [Фигура 90](#).
10. Поставете капачката на инструмента на държателя за кювети. Вижте [Фигура 91](#).
11. Натиснете . На дисплея се показват резултатите в мерни единици за концентрация или абсорбция.
***Забележка:** Резултатът мига, ако е извън диапазона на инструмента.*
12. Извадете готовата проба от държателя за кювети.
13. Непосредствено след това изпразнете и изплакнете кюветата. Изплакнете кюветата и капачката три пъти с дейонизирана вода.

Фигура 90 Ориентация на кюветата

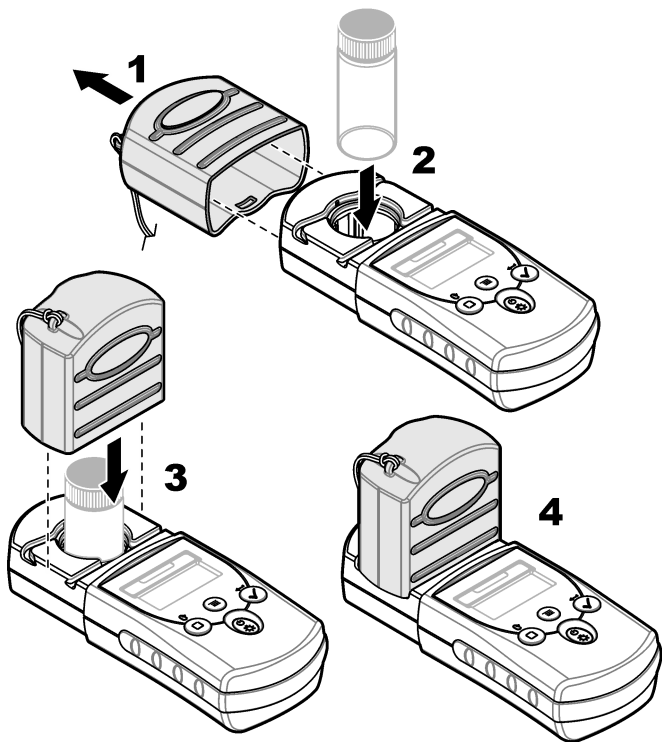


1 Маркировка за ориентацията

2 Кювета, 25 mm (10 mL)

3 Кювета, 1 cm (10 mL)

Фигура 91 Поставете капачката на инструмента на държателя за кювети



Извеждане на записаните измервания

Вижте опция "rCL" в [Конфигуриране на уреда](#) на страница 223.

Поддръжка

⚠ ВНИМАНИЕ



Множество опасности. Задачите, описани в този раздел на ръководството, трябва да се извършват само от квалифициран персонал.

Забележка

Не разглобявайте инструмента с цел извършване на поддръжка. Ако трябва да почистите или ремонтирате вътрешни компоненти се свържете с производителя.

Почистване на инструмента

Почистете външните повърхности на инструмента с влажна кърпа и слаб сапунен разтвор и след това изтрийте инструмента, за да се подсуши.

Почистване на кюветите

⚠ ВНИМАНИЕ



Опасност от химическа експлозия. Спазвайте лабораторните процедури за безопасност и носете пълното необходимо лично предпазно оборудване при боравене със съответните химически вещества. За информация относно протоколите по безопасност разгледайте информационните листи за безопасност на материала (MSDS/SDS).



⚠ ВНИМАНИЕ



Опасност от химическа експлозия. Изхвърляйте химическите и отпадни вещества в съответствие с местните, регионални и национални разпоредби.

Използват се повечето лабораторни почистващи препарати с препоръчаните концентрации. Неутрални почистващи препарати, като Liquinox, са по-безопасни, когато е необходимо редовно почистване. За да се намали времето за почистване, увеличете температурата или използвайте ултразвукова вана. За да завършите почистването, изплакнете няколко пъти с дейонизирана вода и оставете кюветата да изсъхне на въздух.

Кюветите могат да бъдат почиствани с киселина, като след това бъдат изплаквани с дейонизирана вода.


Забележка: Винаги използвайте киселина, за да почиствате кюветите, които са били използвани за тестове за ниско ниво на съдържание на метал.

За отделни процедури са необходими специални начини на почистване. Когато се използва четка за почистване на кюветите, обръщайте особено внимание, за да избегнете драскотини по вътрешните повърхности на кюветите.

Смяна на батериите

Сменете батериите, когато нивото на заряд на батерията е ниско. Вижте [Поставяне на батериите](#) на страница 219.

Откриване и отстраняване на неизправности

Грешка	Описание	Решение
E-0	Няма настроена нула	Измерен е стандартен разтвор в режим на потребителско калибриране, преди да е била направена настройка на нулата на инструмента. Измерете разтвор на контролна проба, за да се настрои нулата на инструмента.
E-1	Грешка от светлина на околната среда ¹	В държателя за кювети е проникнала светлина от околната страна. Уверете се, че капачката на инструмента е поставена добре над държателя за кювети.
E-2	Грешка от LED ¹	LED (източникът на светлина) е неуправляем. Сменете батериите. Уверете се, че LED в държателя за кювети светва, когато се натисне ✓ или  .

Грешка	Описание	Решение
E-3	Грешка от настройка на стандартен разтвор	<ul style="list-style-type: none"> • Измерената стойност на стандартен разтвор е по-голяма от границите за настройка. Подгответе свеж стандартен разтвор • Стандартният разтвор не е в диапазона на концентрацията, който се използва за настройка на стандартно калибриране. Пригответе стандартен разтвор, чиято стойност на концентрацията е или е близо до препоръчаните концентрации, дадени в процедурата. • Уверете се, че концентрацията на стандартния разтвор е въведена правилно.
E-6	Грешка от Abs	Стойността на абсорбцията не е правилна или калибровъчната крива, въведена от потребителя, има по-малко от две точки. Въведете или измерете стойността на абсорбирането отново.
E-7	Грешка за стойност на стандартен разтвор	Концентрацията на стандартен разтвор е равна на друга концентрация на стандартен разтвор, която вече е въведена за калибровъчната крива, въведена от потребителя. Въведете правилна стандартна концентрация.
E-9	Мигаща грешка	Инструментът не може да съхранява данни.

Грешка	Описание	Решение
Показанието мига	Показанието е извън диапазона на инструмента. ²	Ако показанието е под диапазона на инструмента, проверете дали капачката на инструмента е поставена добре над държателя за кювети. Измерете контролна проба. Ако показанието след измерване на контролна проба не е нула, отново настройте нулата на инструмента.
		Ако показанието е над диапазона на инструмента, проверете дали в държателя за кювети няма блокиране на светлината. Разрежете пробата. Направете теста отново
		При програми за заводско калибриране, максималните и минималните стойности винаги са равни на стойностите, калибрирани в завода, и не могат да се променят.

- 1 При поява на грешка E-1 или E-2 при измерване, на дисплея се показва “_._”. Мястото на десетичната запетая зависи от химичните вещества. Ако грешка E-1 или E-2 се появи по време на настройка на нулата на инструмента, отново настройте нулата на инструмента.
- 2 Мигащата стойност трябва да е 10% над горната граница на тестовия диапазон.

Резервни части

▲ ПРЕДУПРЕЖДЕНИЕ



Опасност от нараняване. Използването на части, които не са одобрени за употреба, може да причини нараняване, повреда на инструмента или неизправност на оборудването. Резервните части, упоменати в този раздел, са одобрени от производителя.

Забележка: Продуктовите и каталожните номера може да се различават в някои региони на продажба. Свържете се със съответния дистрибутор или посетете уебсайта на компанията за информация за контакт.

Резервни части

Описание	Количество	Артикул номер
Алкални батерии AAA	4/pkg	4674300
Шнурче на капачката	1	5955900
Капачка на инструмента	1	5954800
Кювета, 25 mm (10 mL), с капачки	6/pkg	2427606
Кювета, 1 cm (10 mL), с капачки	2/pkg	4864302

Tartalomjegyzék

[Műszaki adatok](#) oldalon 233

[Működtetés](#) oldalon 241

[Általános tudnivaló](#) oldalon 234

[Karbantartás](#) oldalon 246

[Üzembe helyezés](#) oldalon 238

[Hibaelhárítás](#) oldalon 247

[Kezelőfelület és navigálás](#) oldalon 239

[Cserealkatrészek](#) oldalon 249

További információ

További információ a gyártó weboldalán elérhető.

Műszaki adatok

A műszaki adatok előzetes bejelentés nélkül változhatnak.

Műszaki adatok	Részletes adatok
Méretek (Sz x Mé x Ma)	6.1×3.2×15.2 cm (2.4×1.25×6 hüvelyk)
Ház	IP67, 1 m (3,3 láb) mélységig 30 percig vízhatlan (az elemtartó rekesz nélkül). Védje a közvetlen napfénytől.
Fényforrás	Fénykibocsátó dióda (LED)
Detektor	Szilícium fotodióda
Kijelző	LCD háttérvilágítással
Tömeg	0.2 kg (0.43 font)
Szennyezési fok	2
Telepítési kategória	I
Védelmi osztály	3
Teljesítményigény	4 AAA elem; élettartama kb. 2000 teszt elvégzésére elegendő (a háttérvilágítás használata csökkenti ezt a számot) Újratölthető elemek használata nem javasolt.
Üzemeltetési környezet	0 - 50 °C (32 - 122 °F), 0 - 90% relatív páratartalom, nem lecsapódó
Tárolási hőmérséklet	-20 - 55 °C (-7.6 - 131 °F)
Fotometrikus pontosság	± 0,0015 Abs
Hullámhossz	Rögzített hullámhossz ±2 nm, modellenként eltérő

Műszaki adatok	Részletes adatok
Szűrő sávszélessége	15 nm
Abszorbanciataromány	0 - 2,5 Abs
Mintacella úthossza	1 cm (5-10 ml), 25 mm (10 ml)
Adattárolás	Utolsó 10 mérés
Tanúsítványok	CE jelölés
Jótállás	2 év

Általános tudnivaló

A gyártó semmilyen körülmények között sem felelős a jelen kézikönyv hibájából, vagy hiányosságaiból eredő közvetlen, közvetett, véletlenszerű, vagy következményként bekövetkezett kárért. A gyártó fenntartja a kézikönyv és az abban leírt termékek megváltoztatásának jogát minden értesítés vagy kötelezettség nélkül. Az átdolgozott kiadások a gyártó weboldalán találhatóak.

Biztonsági tudnivaló

MEGJEGYZÉS

A gyártó nem vállal felelősséget a termék nem rendeltetésszerű alkalmazásából vagy használatából eredő semmilyen kárért, beleértve de nem kizárólag a közvetlen, véletlen vagy közvetett károkat, és az érvényes jogszabályok alapján teljes mértékben elhárítja az ilyen kárigényeket. Kizárólag a felhasználó felelőssége, hogy felismerje a komoly alkalmazási kockázatokat, és megfelelő mechanizmusokat szereljen fel a folyamatok védelme érdekében a berendezés lehetséges meghibásodása esetén.

Kérjük, olvassa végig ezt a kézikönyvet a készülék kicsomagolása, beállítása vagy működtetése előtt. Szenteljen figyelmet az összes veszélyjelző és óvatosságra intő mondatra. Ennek elmulasztása a kezelő súlyos sérüléséhez vagy a berendezés megrongálódásához vezethet.

A berendezés nyújtotta védelmi funkciók működését nem szabad befolyásolni. Csak az útmutatóban előírt módon használja és telepítse a berendezést.

A veszélyekkel kapcsolatos tudnivalók alkalmazása

▲ VESZÉLY

Lehetséges vagy közvetlenül veszélyes helyzetet jelez, amely halálhoz vagy súlyos sérüléshez vezet.

▲ FIGYELMEZTETÉS

Lehetséges vagy közvetlenül veszélyes helyzetet jelez, amely halálhoz vagy súlyos sérüléshez vezethet.

▲ VIGYÁZAT



Lehetséges veszélyes helyzetet jelez, amely enyhe vagy kevésbé súlyos sérüléshez vezethet.

MEGJEGYZÉS

A készülék esetleges károsodását okozó helyzet lehetőségét jelzi. Különleges figyelmet igénylő tudnivaló.

Figyelmeztető címkék

Olvassa el a műszerhez csatolt valamennyi címkét és függő címkét. A rajtuk olvasható figyelmeztetések be nem tartása személyi sérüléshez vagy a műszer megromlásához vezethet. A műszeren látható szimbólum jelentését a kézikönyv egy óvintézkedési mondattal adja meg.

	Ha a készüléken ez a szimbólum látható, az a használati útmutató kezelési és/vagy biztonsági tudnivalóira utal.
	Az ezzel a szimbólummal jelölt elektromos készülékek Európában nem helyezhetők háztartási vagy lakossági hulladékfeldolgozó rendszerekbe. A gyártó köteles ingyenesen átvenni a felhasználttól a régi vagy elhasznált elektromos készülékeket.

Tanúsítvány

A rádió interferenciát okozó eszközök kanadai szabályozása, IECS-003 A osztály:

A vizsgálati eredmények bizonyítása a gyártónál található.

Ez az A osztályú berendezés megfelel A rádió interferenciát okozó eszközök kanadai szabályozásának.

Cet appareil numérique de classe A répond à toutes les exigences de la réglementation canadienne sur les équipements provoquant des interférences.

FCC 15 szakasz, az "A" osztályra vonatkozó határokkal

A vizsgálati eredmények bizonyítása a gyártónál található. Az eszköz megfelel az FCC szabályok 15. szakaszában foglaltaknak. A működés a következő feltételek függvénye:

1. A berendezés nem okozhat káros interferenciát.
2. A berendezésnek minden felvett interferenciát el kell fogadnia, beleértve azokat az interferenciákat is, amelyek nem kívánatos működéshez vezethetnek.

A berendezésben véghezvitt, és a megfelelőségbiztosításra kijelölt fél által kifejezetten el nem fogadott változtatások vagy módosítások a berendezés működtetési jogának megvonását vonhatják maguk után. Ezt a berendezést bevizsgálták, és azt az FCC szabályok 15. szakaszának megfelelően, az A osztályú készülékekre érvényes határértékek szerintinek minősítették. E határértékek kialakításának célja a tervezés során a megfelelő védelem biztosítása a káros interferenciák ellen a berendezés kereskedelmi környezetben történő használata esetén. A berendezés rádió frekvencia energiát gerjeszt, használ és sugároz, és amennyiben nem a használati kézikönyvnek megfelelően telepítik vagy használják, káros interferenciát okozhat a rádiós kommunikációban. A berendezésnek lakott területen való működtetése valószínűleg káros interferenciát okoz, amely következtében a felhasználót saját költségére az interferencia korrekációjára kötelezik. A következő megoldások használhatók az interferencia problémák csökkentésére:

1. Vigye távolabb a készüléket az interferenciát észlelő készüléktől.
2. Állítsa más helyzetbe annak a készüléknek az antennáját, amelyet zavar.
3. Próbálja ki a fenti intézkedések több kombinációját.

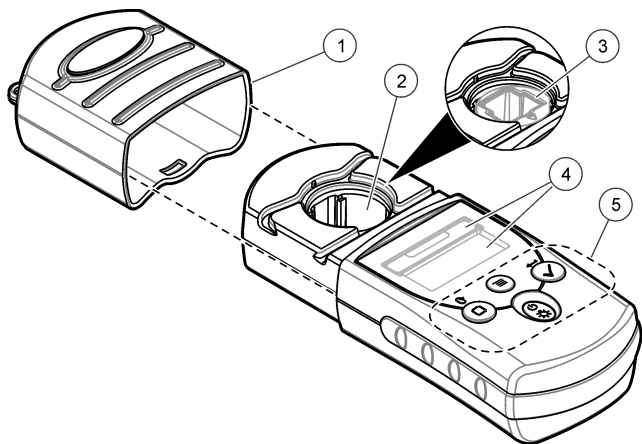
A termék áttekintése

Ez a műszer egy hordozható, vízelemzéshez használt szűrős fotométer. Lásd: [92. ábra](#). A műszert a gyárban úgy konfigurálták, hogy

egy vagy két megadott paramétert mérjen. A műszert a gyárban bekalibrálták. Nincs szükség felhasználói kalibrálásra.

Megjegyzés: A készüléket nem hitelesítették az Egyesült Államokban használt orvosi berendezésekben lévő klór- és klór-amin-tartalom mérésére.

92. ábra A műszer áttekintése



1 Műszer sapka	3 Cellatartó 1 cm-es cellaadapterrel ¹	5 Billentyűzet
2 Cellatartó	4 Kijelző	

¹ Bizonyos modellekben gyárilag telepített

Üzembe helyezés

Az elemek behelyezése

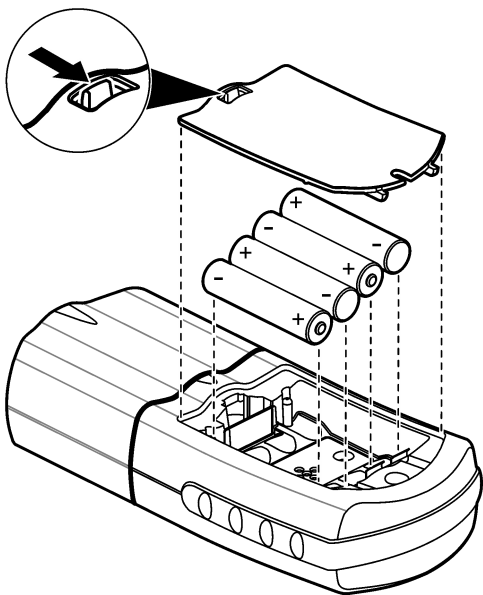
▲ FIGYELMEZTETÉS



Robbanásveszély. A szabálytalanul behelyezett akkumulátorok miatt robbanásveszélyes gázok szabadulhatnak fel. Ügyeljen az akkumulátorok azonos, jóváhagyott típusára, és hogy a megfelelő irányban legyenek behelyezve. Ne használjon egyidejűleg új és használt akkumulátorokat.

Az elemek behelyezésének lépéseit lásd: [93. ábra](#).

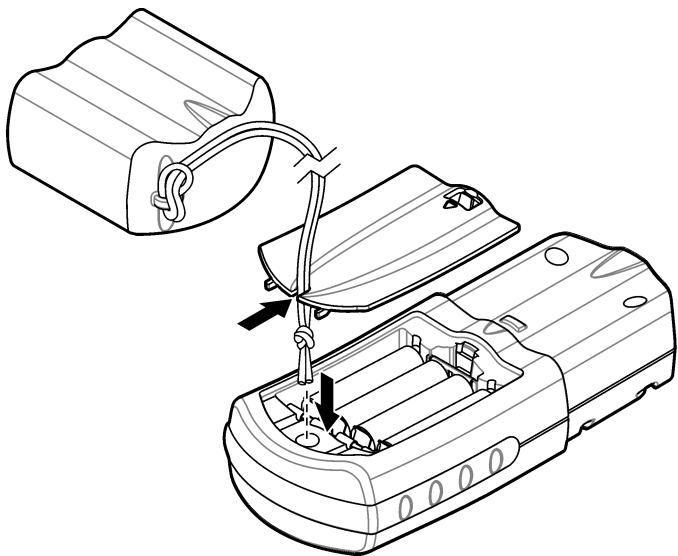
93. ábra Az elemek behelyezése



A fedéltartó kábel beszerelése

Rögzítse a fedéltartó kábelt, hogy megakadályozza a készülékfedél elvesztését. Lásd: [94. ábra](#).

94. ábra A fedéltartó kábel beszerelése

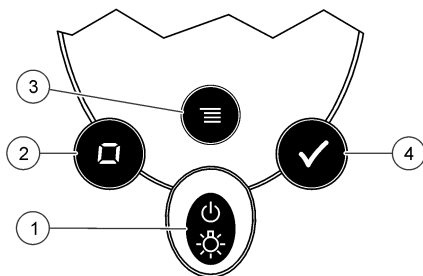


Kezelőfelület és navigálás

Gombok leírása

A [95. ábra](#) a billentyűzetet ábrázolja, és ismerteti az egyes gombok funkcióját.

95. ábra Billentyűzet



1 Bekapcsoló/Háttérvilágítás gomb: a tápellátás be- és kikapcsolása. A háttérvilágítás be- vagy kikapcsolásához nyomja le, és 1 másodpercig tartsa lenyomva.	3 Menü gomb: belépés és kilépés a menü módból.
2 Zéró/Görgetés gomb: a műszer beállítása zéró értékre, a menüpontok és számok végiggörgetése	4 Olvasás/Enter gomb: mintamérés indítása, menüpont kiválasztása, a kurzor léptetése a következő számjegyre

A kijelző ismertetése

Az [96. ábra](#) a kijelzőn megjelenő értékeket és ikonokat ábrázolja.

96. ábra Kijelző



<p>1 Numerikus kijelző: Mért érték vagy menüpontok</p>	<p>4 Menü ikon: A készülék menü módban van.</p>
<p>2 Tartomány ikon: A kiválasztott tartomány vagy paraméter</p>	<p>5 Kalibrálás beállítva ikon: A gyári alapértelmezett kalibrálást állították be, vagy egy felhasználó által megadott kalibrációs görbét adtak meg. Tekintse meg a részletes felhasználói útmutatót a gyártó weboldalán.</p>
<p>3 Tartományérték: Tartomány(ok) vagy paraméterek</p>	<p>6 Alacsony akkumulátortöltöttség ikon: Az akkumulátor töltöttségi szintje 10%. Villog, ha az akkumulátor töltöttségi szintje túl alacsony a mérések elvégzéséhez.</p>

Működtetés

A készülék konfigurálása

1. Nyomja meg a ☰ gombot.
2. A menüpontok végiggörgetéséhez nyomja meg a □ gombot. A ✓ megnyomásával válasszon ki egy menüpontot.

Opció Leírás

- SEL** A mérési tartomány vagy a paraméter beállítása. A mérési tartományok vagy paraméterek közötti váltáshoz nyomja meg a ✓ gombot.

Opció Leírás

00:00 A 24 óras (óó:pp) időformátum beállítása. Az idő módosításához nyomja meg a ✓ gombot. Az első számjegy módosításához nyomja meg a □ gombot, majd a következő számjegyre lépéshez a ✓ gombot.

rCL A legutolsó 10 feljegyzett mérés megjelenítése. A feljegyzett mérések megjelenítéséhez nyomja meg a ✓ gombot (01 - a legutóbbi mérés, 10 - a legrégebbi mérés). A mérések végiggörgetéséhez nyomja meg a ✓ gombot. Mérés szám alapján történő kiválasztásához először a szám kiválasztásához nyomja meg a □ gombot, majd a ✓ gombot. A menüpontból való kilépéshez nyomja meg a ≡ gombot.

SCA Tekintse meg a részletes felhasználói útmutatót a gyártó weboldalán.

3. A mérési módba való visszatéréshez nyomja meg a ≡ gombot.

Teszt futtatása

▲ FIGYELMEZTETÉS





Kémiai expozíció veszélye. Kövesse a laboratóriumi biztonsági eljárásokat, és viselje a kezelt vegyszereknek megfelelő összes személyes védőfelszerelést. A biztonsági protokollokkal kapcsolatban lásd az aktuális biztonsági adatlapokat (MSDS/SDS)

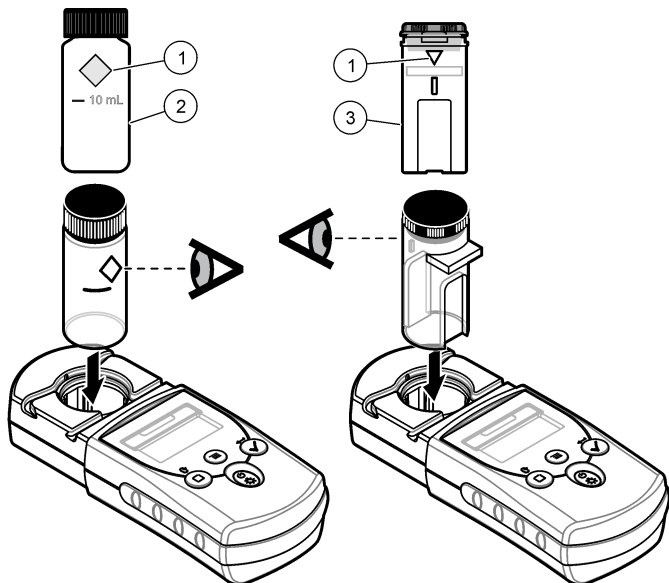
A teszt futtatásához az alábbi alapvető mérési lépéseket kell elvégezni. A konkrét teszt futtatásához lásd az alkalmazható módszert.

1. Válassza ki a megfelelő mérési tartományt vagy paramétert. Lásd: [A készülék konfigurálása](#) oldalon 241.
2. Készítse el a vakpróbát a módszert ismertető dokumentum szerint. Győződjön meg róla, hogy a helyes cellaméretet használja. A cella megtöltése előtt öblítse ki a mintacellát és a fedelet a vakpróbával.
3. Zárja le a mintacellát és tisztítsa meg a mintacella optikai felületeit szőszmentes ruhával.
4. Helyezze be a vakpróbát tartalmazó mintacellát a cellatartóba. Győződjön meg arról, hogy a vakpróbát tartalmazó mintacellát helyes és a jelzésnek megfelelő irányban helyezte be annak

érdekében, hogy az eredmények reprodukálhatóbbak és pontosabbak legyenek. Lásd: [97. ábra](#).

5. Helyezze vissza a műszer fedelét a cellatartó fölé. Lásd: [98. ábra](#).
6. A  gomb megnyomásával állítsa be a műszert zéró értékre. A kijelzőn a „0,000” érték vagy ez előzőleg kiválasztott felbontási mérték jelenik meg.
7. Készítse el a mintát. A cella megtöltése előtt háromszor öblítse ki a mintacellát és a fedelet a mintával. Adja hozzá a reagenseket a módszert leíró dokumentumban meghatározott módon.
8. Zárja le a mintacellát és tisztítsa meg a cella optikai felületeit szőszmentes ruhával..
9. Helyezze be a mintát a cellatartóba. Győződjön meg arról, hogy a mintacellát helyes és a jelzésnek megfelelő irányban helyezte be annak érdekében, hogy az eredmények reprodukálhatóbbak és pontosabbak legyenek. Lásd: [97. ábra](#).
10. Helyezze vissza a műszer fedelét a cellatartó fölé. Lásd: [98. ábra](#).
11. Nyomja meg a  gombot. A kijelzőn a koncentrációs egységek eredményei vagy az abszorbancia értéke jelenik meg.
Megjegyzés: Az eredmény villog, ha a műszer megengedett méréstartománya alá vagy fölé esik.
12. Vegye ki az előkészített mintát a cellatartóból.
13. Azonnal ürítse ki és öblítse ki a mintacellát. Öblítse ki háromszor deionizált vízzel a mintacellát és a fedelet.

97. ábra Mintacella irányultsága

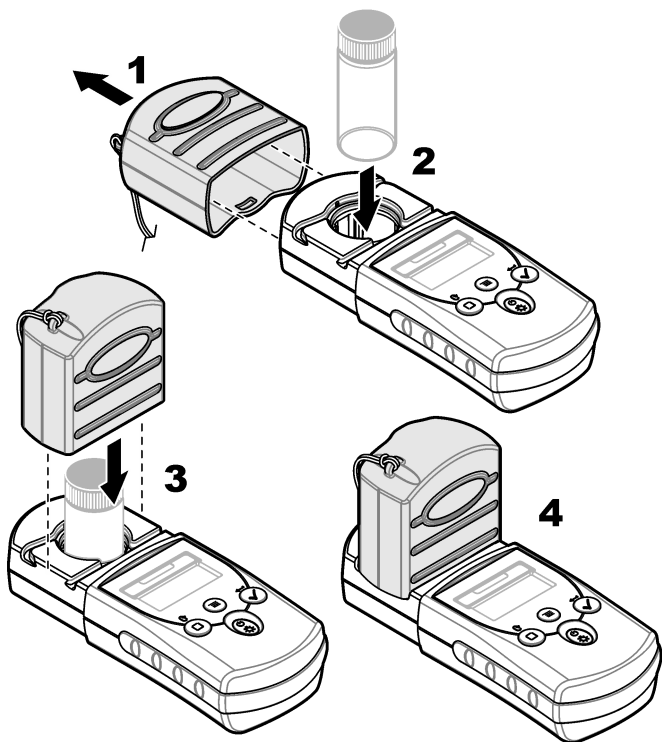


1 Irányjelölés

2 Mintacella, 25 mm
(10 ml)

3 Mintacella, 1 cm
(10 ml)

98. ábra A műszer fedelének visszahelyezése a cellatartó fölé



A feljegyzett mérések megjelenítése

Lásd az „rCL” lehetőséget itt: [A készülék konfigurálása](#) oldalon 241.

Karbantartás

▲ VIGYÁZAT



Többszörös veszély. A dokumentumnak az ebben a fejezetében ismertetett feladatokat csak képzett szakemberek végezhetik el.

MEGJEGYZÉS

Ne szerelje szét a műszert karbantartás céljából. Ha a belső alkatrészek tisztítása vagy javítása válik szükségessé, forduljon a gyártóhoz.

A berendezés tisztítása

Tisztítsa meg a műszer külsejét nedves ruhával és enyhe szappanos oldattal, majd törölje szárazra.

Tisztítsa meg a mintacellákat

▲ VIGYÁZAT



Kémiai expozíció veszélye. Kövesse a laboratóriumi biztonsági eljárásokat, és viselje a kezelt vegyszereknek megfelelő összes személyes védőfelszerelést. A biztonsági protokollokkal kapcsolatban lásd az aktuális biztonsági adatlapokat (MSDS/SDS).



▲ VIGYÁZAT



Kémiai expozíció veszélye. Semmisítse meg a vegyszereket és a hulladékokat a helyi, területi és nemzeti előírásoknak megfelelően.

A legtöbb laboratóriumi detergenst az ajánlott koncentrációban használják. A semleges detergensek, mint például a Liquinox, használata biztonságosabb, ha rendszeres tisztításra van szükség. A tisztítási idők csökkentése érdekében növelje a hőmérsékletet vagy használjon ultrahangos fürdőt. A tisztítás befejezéséhez öblítse néhányszor ionmentes vízzel, és hagyja, hogy a mintacella a levegőn megszáradjon.

A mintacellák tisztíthatók savval is, melyet alapos öblítésnek kell követnie ionmentesített vízzel.


Megjegyzés: Mindig savat használjon olyan mintacellák tisztítására, amelyeket alacsony szintű fémtesztekhez használtak.

Különleges tisztítási módszerekre van szükség az egyes eljárásoknál. Ha esetet használunk a mintacellák tisztítására, különösen figyeljünk arra, hogy elkerüljük a karcolásokat a mintacellák belső felületén.

Akkumulátorcsere

Ha a töltöttségi szint alacsony, cserélje ki az elemeket. Lásd: [Az elemek behelyezése](#) oldalon 238.

Hibaelhárítás

Hiba	Leírás	Megoldás
E-0	Nincs zéró	A felhasználói kalibrálási módban egy szabványos oldatot a műszer zéró értékének beállítása előtt mértek meg. A műszer zéró értékének beállításához mérjen meg egy vakpróba oldatot.
E-1	Környezeti fény hiba ¹	A cellatartóban környezeti fény van. Győződjön meg róla, hogy a műszer fedele teljesen vissza van helyezve a cellatartó fölé.
E-2	LED hiba ¹	A LED (fényforrás) nem szabályozható. Akkumulátorcsere. Gondoskodjon róla, hogy a cellatartóban lévő LED bekapcsoljon a ✓ vagy a  gomb megnyomásakor.
E-3	Szabványmódosítási hiba	<ul style="list-style-type: none">• A szabványos oldat mért értéke meghaladja a módosítási korlátokat. Készítsen friss szabványos oldatot.• A szabványos oldat kívül esik a szabványos kalibrálás módosításához használható koncentrációtartományon. Készítsen egy olyan szabványos oldatot, amelynek értéke megegyezik vagy közel esik az eljárásban megadott, javasolt koncentrációk értékéhez.• Ellenőrizze, hogy helyesen adta-e meg a szabványos oldat koncentrációját.

Hiba	Leírás	Megoldás
E-6	Abs hiba	Az abszorbanca értéke hibás vagy a felhasználó által megadott kalibrációs görbe kettőnél kevesebb pontot tartalmaz. Adja meg vagy mérje meg ismét az abszorbanca értékét.
E-7	Szabványos érték hibája	A szabványos oldat koncentrációja egy másik szabványos oldat koncentrációjával, amelyet már megadtak a felhasználó által megadott kalibrációs görbén. Adja meg a helyes szabványos koncentrációt.
E-9	Flash hiba	A műszer nem tudja elmenteni az adatokat.
A leolvasott érték villog	A leolvasott érték kisebb vagy nagyobb, mint a kijelző tartománya. ²	Ha a leolvasott érték kisebb, mint a műszer tartománya, gondoskodjon róli, hogy a műszer fedele teljesen fel legyen helyezve a cellatartó fölé. Mérjen meg egy vakpróbát. Ha a vakpróba leolvasott értéke nem nulla, állítsa be ismét a műszert a zéró értékre.
		Ha a leolvasott érték nagyobb, mint a műszer tartománya, ellenőrizze, hogy nincs-e fényelzáródás a cellatartóban. Hígítsa a mintát. Végezze el újból a tesztet.
		A gyárilag kalibrált programok esetében a maximális és minimális értékek mindig megegyeznek a gyárilag kalibrált értékekkel, és nem módosíthatók.

¹ Ha mérés közben E-1 vagy E-2 hiba történik, a kijelzőn a következő érték jelenik meg: „_ _ _”. A tizedesjegyek száma a kémiától függ. Ha az E-1 vagy E-2 hiba a beállított zéró értéknél történik, állítsa be a műszert újból a zéró értékre.

² A villogó érték 10%-kal meghaladja a teszt tartomány felső korlátját.

Cserealkatrészek

▲ FIGYELMEZTETÉS



Személyi sérülés veszélye. A nem jóváhagyott alkatrészek használata személyi sérüléshez, a műszer károsodásához vagy a berendezés meghibásodásához vezethet. Az ebben a fejezetben található cserealkatrészek a gyártó által jóváhagyott alkatrészek.

Megjegyzés: A termék- és cikkszám régióként eltérhet. A kapcsolattartási információkért forduljon a viszonteladóhoz vagy látogasson el a cég weboldalára.

Cserealkatrészek

Leírás	Mennyiség	Cikksz.
AAA alkáli elemek	4/csomag	4674300
Fedéltartó kábel	1	5955900
Műszer sapka	1	5954800
Mintacella, 25 mm (10 ml), fedelelkel	6/csomag	2427606
Mintacella, 1 cm (10 ml), fedelelkel	2/csomag	4864302

Cuprins

[Specificații](#) de la pagina 250

[Informații generale](#) de la pagina 251

[Pornirea sistemului](#) de la pagina 255

[Interfața cu utilizatorul și navigarea](#)
de la pagina 257

[Funcționarea](#) de la pagina 259

[Întreținerea](#) de la pagina 264

[Depanare](#) de la pagina 265

[Piese de schimb](#) de la pagina 267

Informații suplimentare

Informații suplimentare sunt disponibile pe site-ul web al producătorului.

Specificații

Specificațiile pot face obiectul unor schimbări fără notificare prealabilă.

Specificație	Detalii
Dimensiuni (L x l x h)	6,1 x 3,2 x 15,2 cm (2,4 x 1,25 x 6")
Carcasă	IP67, etanșă la apă la adâncimi de 1 m (3,3 ft) timp de 30 de minute (compartimentul bateriei nu este inclus). A se feri de lumina directă a soarelui.
Sursă de lumină	Diodă luminiscentă (LED)
Detector	Fotodiodă siliconică
Afișaj	LCD cu iluminare de fundal
Masă	0,2 kg (0,43 lb)
Gradul de poluare	2
Categoria de instalare	I
Clasă de protecție	3
Cerințe de alimentare	4 baterii AAA, durată aproximativă de viață de 2000 de teste (utilizarea iluminării de fundal reduce acest număr) Nu sunt recomandați acumulatorii.
Mediul de utilizare	0-50°C (32-122°F), umiditate relativă de 0-90%, fără condens

Specificație	Detalii
Temperatură de depozitare	între -20 și 55 °C (între -7,6 și 131 °F)
Precizie fotometrică	± 0,0015 Abs
Lungime de undă	Lungime de undă fixă de ±2 nm, diferită pentru fiecare model
Lărgime de bandă a filtrului	15 nm
Interval de absorbantă	0-2,5 Abs
Drum optic cuvă	1 cm (5-10 ml), 25 mm (10 ml)
Salvarea datelor	Ultimele 10 măsurători
Certificări	Marcaj CE
Garanție	2 ani

Informații generale

Producătorul nu se face responsabil în nicio situație de deteriorări directe, indirecte, speciale, accidentale sau pe cale de consecință ce ar rezulta din orice defect sau omisiune din acest manual. Producătorul își rezervă dreptul de a efectua modificări în acest manual și produselor pe care le descrie, în orice moment, fără notificare sau obligații. Edițiile revizuite pot fi găsite pe site-ul web al producătorului.

Informații privind siguranța

NOTĂ

Producătorul nu este responsabil pentru daunele cauzate de utilizarea incorectă a acestui produs, inclusiv și fără a se limita la daunele directe, accidentale sau pe cale de consecință și neagă responsabilitatea pentru astfel de daune în măsura maximă permisă de lege. Utilizatorul este unicul responsabil pentru identificarea riscurilor critice și pentru instalarea de mecanisme corespunzătoare pentru protejarea proceselor în cazul unei posibile defectări a echipamentului.

Citiți în întregime manualul înainte de a despacheta, configura și utiliza aparatura. Respectați toate atenționările de pericol și avertismentele. Nerespectarea acestei recomandări poate duce la vătămări serioase ale operatorului sau la deteriorarea echipamentului.

Verificați dacă protecția cu care este prevăzută aparatura nu este defectă. Nu utilizați sau nu instalați aparatura în niciun alt mod decât cel specificat în prezentul manual.

Informații despre utilizarea produselor periculoase

▲ PERICOL

Indică o situație periculoasă în mod potențial sau iminent care, dacă nu este evitată, va avea ca rezultat decesul sau vătămarea corporală gravă.

▲ AVERTISMENT

Indică o situație periculoasă în mod potențial sau iminent care, dacă nu este evitată, poate conduce la deces sau la o vătămare corporală gravă.

▲ ATENȚIE



Indică o situație periculoasă în mod potențial care poate conduce la o vătămare corporală minoră sau moderată.

NOTĂ

Indică o situație care, dacă nu este evitată, poate provoca defectarea aparatului. Informații care necesită o accentuare deosebită.

Etichete de avertizare

Citiți toate etichetele și avertismentele cu care este prevăzut instrumentul. În caz de nerespectare se pot produce vătămări personale sau avarieri ale instrumentului. Toate simbolurile de pe instrument sunt menționate în manual cu câte o afirmație de avertizare.

	Acest simbol, dacă este notat pe instrument, se regăsește în manualul de instrucțiuni referitor la funcționare și/sau siguranță.
	Echipamentele electrice inscripționate cu acest simbol nu pot fi eliminate în sistemele publice europene de deșeuri. Returnați producătorului echipamentele vechi sau la sfârșitul duratei de viață în vederea eliminării, fără niciun cost pentru utilizator.

Certificare

Reglementările canadiene privind echipamentele care produc interferențe radio, IECS-003, clasa A:

Înregistrările testelor relevante se află la producător.

Acest aparat digital de clasă A întrunește toate cerințele reglementărilor canadiene privind echipamentele care produc interferențe.

Cet appareil numérique de classe A répond à toutes les exigences de la réglementation canadienne sur les équipements provoquant des interférences.

FCC Partea 15, limite pentru clasa „A”

Înregistrările testelor relevante se află la producător. Acest dispozitiv este conform cu Partea 15 din Regulile FCC. Funcționarea se supune următoarelor condiții:

1. Este posibil ca echipamentul să nu genereze interferențe dăunătoare.
2. Echipamentul trebuie să accepte orice interferențe recepționate, inclusiv interferențe care pot provoca funcționare nedorită.

Schimbările sau modificările aduse acestui echipament care nu sunt în mod expres aprobate de partea responsabilă pentru respectarea standardelor, pot conduce la anularea autorității utilizatorului de a folosi acest aparat. Acest aparat a fost testat și s-a constatat că respectă limitele pentru aparate digitale de clasă A, conform Părții 15 a Regulilor FCC. Aceste limite sunt stabilite pentru a asigura o protecție rezonabilă împotriva interferențelor dăunătoare atunci când aparatura este exploatată în condiții comerciale. Acest echipament generează, folosește și poate radia energie cu frecvență radio și, dacă nu este instalat și folosit în conformitate cu manualul de instrucțiuni, poate cauza interferențe dăunătoare asupra comunicațiilor radio. Este probabil ca exploatarea acestui echipament într-o zonă rezidențială să producă interferențe dăunătoare, caz în care utilizatorului i se va solicita să remedieze interferența pe propria cheltuială. Pentru a reduce problemele de interferențe pot fi utilizate următoarele tehnici:

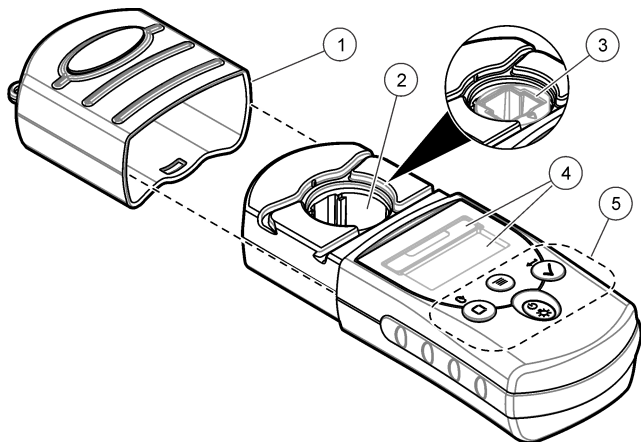
1. Depărtați echipamentul de dispozitivul care recepționează interferențe.
2. Repoziționați antena de recepție a dispozitivului afectat de interferență.
3. Încercați combinații ale soluțiilor de mai sus.

Prezentare generală a produsului

Acest instrument este un fotometru portabil cu filtru, utilizat pentru testarea apei. Consultați [Figura 99](#). Acest instrument este configurat din fabrică pentru a măsura unul sau doi parametri specifici. Acest instrument este calibrat din fabrică. Nu este necesară calibrarea de către utilizator.

Notă: Acest instrument nu a fost evaluat în ceea ce privește măsurarea clorului și cloraminelor în aplicațiile medicale din Statele Unite.

Figura 99 Prezentarea generală a instrumentului



1 Capac instrument	3 Suport pentru cuvă cu adaptor pentru cuvă de 1 cm ¹	5 Tastatură
2 Suport pentru cuvă	4 Afișaj	

¹ Instalat din fabrică pe anumite modele

Pornirea sistemului

Instalarea bateriilor

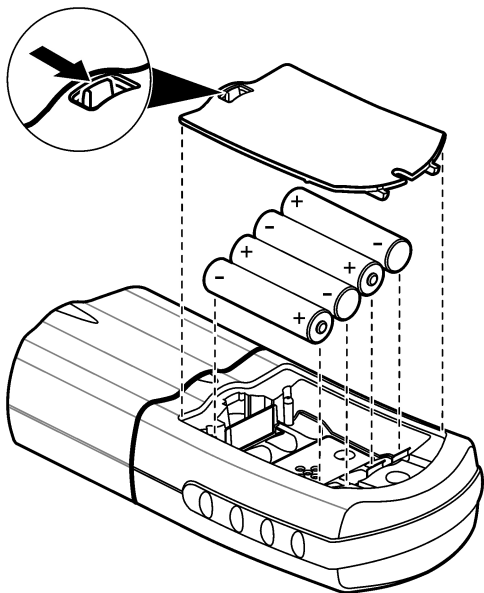
▲ AVERTISMENT



Pericol de explozie. Instalarea incorectă a bateriilor poate provoca eliberarea de gaze explozive. Asigurați-vă că bateriile sunt de același tip chimic aprobat și că sunt introduse cu orientarea corectă. Nu combinați baterii noi cu baterii uzate.

Instalați bateriile în modul indicat în [Figura 100](#).

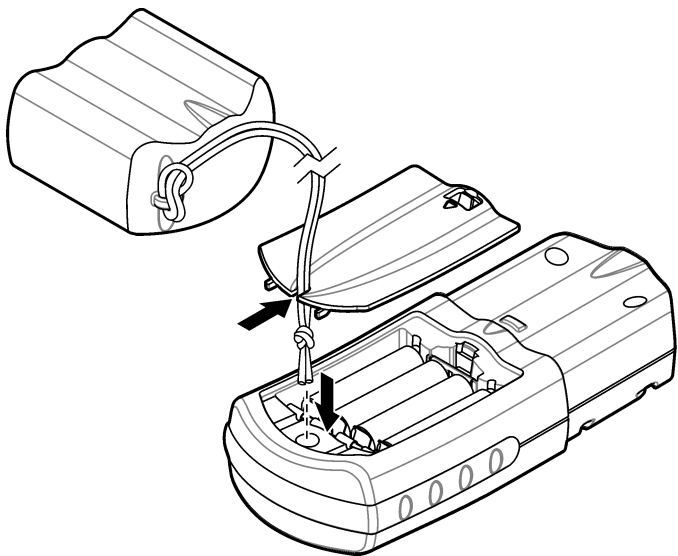
Figura 100 Instalarea bateriilor



Instalarea cablului capacului

Atașați cablul capacului pentru a preveni pierderea capacului instrumentului. Consultați [Figura 101](#).

Figura 101 Instalarea cablului capacului

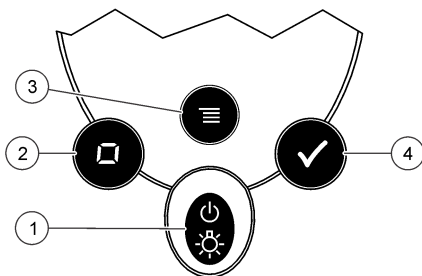


Interfața cu utilizatorul și navigarea

Descrierea tastaturii

[Figura 102](#) prezintă tastatura și indică funcțiile tastelor.

Figura 102 Tastatură



1 Tasta Pornire/Iluminare de fundal: Pornește și oprește instrumentul. Mențineți tasta apăsată timp de 1 secundă pentru a activa sau dezactiva iluminarea de fundal.	3 Tasta Meniu: Intră și iese din modul de meniu.
2 Tasta Zero/Derulare: Resetează instrumentul la zero și derulează opțiunile de meniu și numerele	4 Tasta Citire/Introducere: Începe măsurarea unei probe, selectează o opțiune de meniu, deplasează cursorul la următoarea cifră

Descrierea afișajului

Figura 103 prezintă valorile și pictogramele care apar pe afișaj.




Figura 103 Afișaj




1 Afișajul numeric: Valoarea măsurată sau opțiunile de meniu	4 Pictograma de meniu: Instrumentul se află în modul de meniu.
2 Pictograma de interval: Intervalul sau parametrul selectat	5 Pictograma de calibrare reglată: Calibrarea implicită din fabrică a fost reglată sau o curbă de calibrare a fost introdusă de către utilizator. Consultați manualul de utilizare extins de pe site-ul web al producătorului.
3 Valoarea intervalului: Intervalul/intervalele sau parametrii	6 Pictograma de nivel scăzut al bateriei: Nivelul bateriei este de 10%. Este afișată intermitent atunci când nivelul bateriei este prea scăzut pentru efectuarea măsurătorilor.

Funcționarea


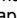

Configurați instrumentul

1. Apăsați .
2. Apăsați  pentru a derula opțiunile de meniu. Apăsați  pentru a selecta o opțiune.

Opțiune Descriere

- SEL** Setează intervalul de măsurare sau parametrul. Apăsați  pentru a comuta între intervalele de măsurare și parametri.

Opțiune Descriere

- 00:00** Setează ora în format de 24 de ore (hh:mm). Apăsați ✓ pentru a schimba ora. Apăsați  pentru a schimba prima cifră, apoi ✓ pentru a trece la următoarea cifră.
- rCL** Afișează ultimele 10 măsurători înregistrate. Apăsați ✓ pentru a afișa măsurătorile înregistrate (01 – cea mai recentă înregistrare, 10 – cea mai veche măsurătoare). Apăsați ✓ pentru a derula măsurătorile. Pentru a selecta o măsurătoare după număr, apăsați  pentru a selecta numărul și apoi apăsați ✓ Apăsați  pentru a părăsi această opțiune.
- SCA** Consultați manualul de utilizare extins de pe site-ul web al producătorului.

3. Apăsați  pentru a reveni la modul de măsurare.

Efectuarea unui test

AVERTISMENT



Pericol de expunere chimică. Respectați procedurile de siguranță în laborator și purtați toate echipamentele de protecție personală adecvate pentru substanțele chimice care sunt manipulate. Consultați fișele tehnice de siguranță (MSDS/SDS) pentru protocoalele de siguranță.



Pașii de bază pentru măsurare necesari la efectuarea unui test sunt prezentați mai jos. Consultați metoda aplicabilă pentru a efectua un test specific.

1. Selectați intervalul de măsurare sau parametrul dorit. Consultați [Configurați instrumentul](#) de la pagina 259.
2. Pregătiți marorul conform documentației metodei. Asigurați-vă că utilizați cuve de dimensiunea corectă. Clătiți cuva și capacul cu marorul înainte de umplerea cuvei.
3. Închideți cuva și curățați fețele optice ale cuvei cu o cârpă care nu lasă scame.
4. Introduceți cuva cu marorul în suportul pentru cuvă. Nu uitați să instalați cuva cu marorul cu orientarea corectă de fiecare dată, astfel încât rezultatele să fie repetabile și precise. Consultați [Figura 104](#).



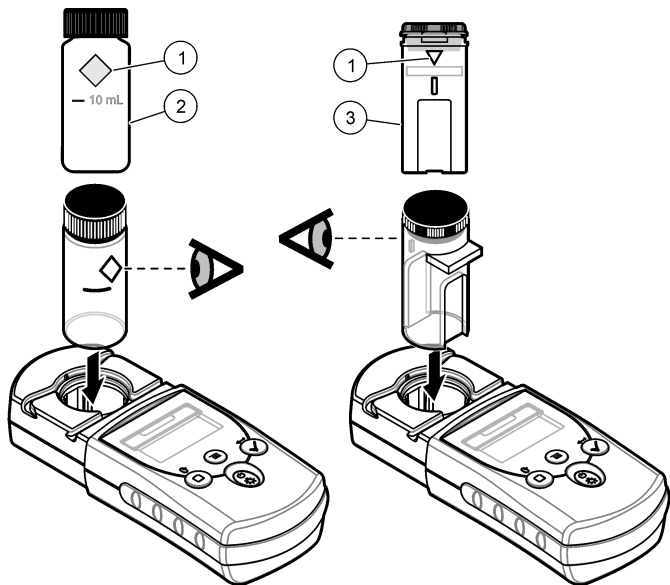
5. Instalați capacul instrumentului peste suportul cuvei. Consultați [Figura 105](#).
6. Apăsați  pentru a reseta instrumentul la zero. Afișajul indică „0,000”, respectiv nivelul de rezoluție selectat anterior.
7. Pregătiți proba. Clătiți cuva și capacul cu proba de trei ori înainte de umplerea cuvei. Adăugați reactivii specificați în documentația metodei.
8. Închideți cuva și curățați suprafețele optice cu o cârpă care nu lasă scame..
9. Introduceți proba în suportul cuvei. Nu uitați să instalați cuva cu orientarea corectă de fiecare dată, astfel încât rezultatele să fie repetabile și precise. Consultați [Figura 104](#).
10. Instalați capacul instrumentului peste suportul cuvei. Consultați [Figura 105](#).
11. Apăsați . Pe afișaj apar rezultatele, în unități de concentrație sau absorbantă.
Notă: Rezultatul este afișat intermitent dacă nu se înscrie în intervalul instrumentului.
12. Scoateți proba pregătită din suportul cuvei.
13. Goliți și clătiți imediat cuva. Clătiți de trei ori cuva și capacul cu apă deionizată.

Figura 104 Orientarea cuvei

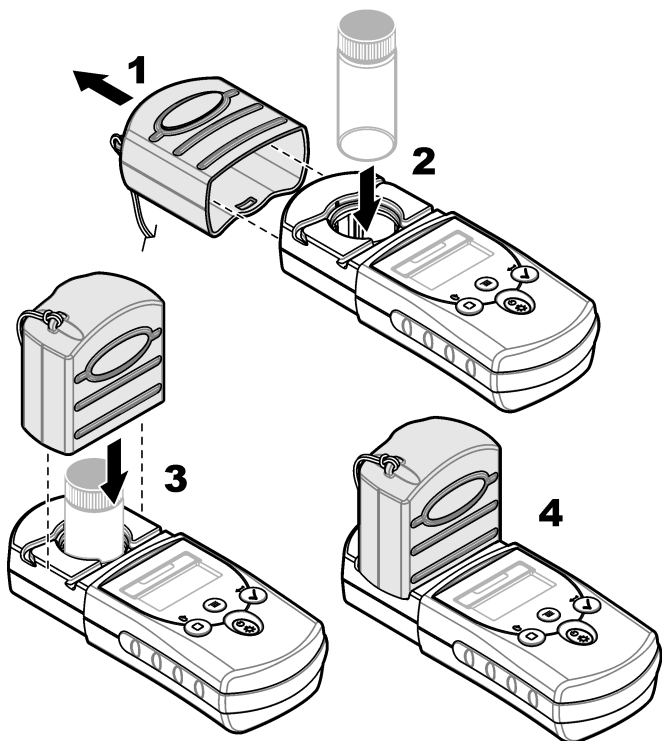


1 Marcaj de orientare

2 Cuvă, 25 mm (10 ml)

3 Cuvă, 1 cm (10 ml)

Figura 105 Instalați capacul instrumentului peste suportul cuvei.



Afișați măsurătorile înregistrate

Consultați opțiunea „rCL” din [Configurați instrumentul](#) de la pagina 259.

Întreținerea

▲ ATENȚIE



Pericole multiple. Numai personalul calificat trebuie să efectueze activitățile descrise în această secțiune a documentului.

NOTĂ

Nu demontați instrumentul pentru întreținere. În cazul în care componentele interne trebuie curățate sau reparate, contactați producătorul.

Curățarea instrumentului

Curățați exteriorul instrumentului cu o cârpă umedă și o soluție diluată de săpun și apoi ștergeți instrumentul pentru a-l usca.

Curățarea cuvelor

▲ ATENȚIE



Pericol de expunere chimică. Respectați procedurile de siguranță în laborator și purtați toate echipamentele de protecție personală adecvate pentru substanțele chimice care sunt manipulate.



Consultați fișele tehnice de siguranță (MSDS/SDS) pentru protocoalele de siguranță.

▲ ATENȚIE



Pericol de expunere chimică. Substanțele chimice și deșeurile trebuie eliminate în conformitate cu reglementările locale, regionale și naționale.

Se utilizează majoritatea detergenților de laborator, la concentrațiile recomandate. Detergenții neutrii, precum Liquinox, sunt mai siguri de utilizat când este necesară curățarea regulată. Pentru a reduce timpii de curățare, creșteți temperatura sau utilizați o baie ultrasonică. Pentru a finaliza curățarea, clătiți de câteva ori cu apă deionizată și apoi lăsați cuva să se usuce în aer liber.

Cuvele pot fi curățate și cu acid, urmat de o clătire intensă cu apă deionizată.


Notă: Utilizați întotdeauna acid pentru a curăța cuvele care au fost utilizate pentru teste pe metal de nivel scăzut.

Pentru anumite proceduri, sunt necesare metode speciale de curățare. În cazul utilizării unei perii pentru curățarea cuvelor, acordați o atenție suplimentară pentru a evita zgârierea suprafețelor interioare ale cuvelor.

Înlocuirea bateriilor

Înlocuiți bateriile atunci când nivelul acestora este scăzut. Consultați [Instalarea bateriilor](#) de la pagina 255.

Depanare

Eroare	Descriere	Soluție
E-0	Instrumentul nu este setat la zero	În modul de calibrare de către utilizator, o soluție etalon a fost măsurată înainte de setarea valorii zero a instrumentului. Măsurați o soluție-martor pentru a seta instrumentul la zero.
E-1	Eroare de lumină ambientă ¹	Lumina ambientă pătrunde în suportul cuvei. Asigurați-vă că ați poziționat corect capacul instrumentului pe suportul cuvei.
E-2	Eroare LED ¹	LED-ul (sursa de lumină) este dereglat. Înlocuiți bateriile. Asigurați-vă că LED-ul din suportul cuvei se aprinde la apăsarea tastei ✓ sau  .
E-3	Eroare de ajustare standard	<ul style="list-style-type: none"> • Valoarea măsurată a soluției standard depășește limitele de ajustare. Pregătiți un nou etalon. • Soluția etalon nu se înscrie în intervalul de concentrație care poate fi utilizat pentru ajustarea calibrării cu soluție etalon. Pregătiți un etalon cu o valoare egală sau apropiată de concentrațiile recomandate în cadrul procedurii. • Asigurați-vă că este introdusă corect concentrația soluției etalon.

Eroare	Descriere	Soluție
E-6	Eroare Abs	Valoarea absorbanței nu este corectă sau curba de calibrare introdusă de utilizator are mai puțin de două puncte. Introduceți sau măsurați din nou valoarea absorbanței.
E-7	Eroare valoare etalon	Concentrația soluției etalon este egală cu concentrația unei alte soluții etalon, care este deja introdusă în curba de calibrare pregătită de utilizator. Introduceți concentrația corectă a etalonului.
E-9	Eroare memorie flash	Instrumentul nu poate salva datele.
Valoarea este afișată intermitent.	Valoarea se află în afara limitelor intervalului instrumentului. ²	Dacă valoarea se află sub intervalul instrumentului, asigurați-vă că ați poziționat corect capacul instrumentului pe suportul cuvei. Măsurați un martor. Dacă valoarea măsurată a matorului nu este zero, setați din nou instrumentul la zero.
		Dacă valoarea depășește intervalul instrumentului, determinați dacă suportul cuvei este ușor înfundat. Diluați proba. Repetați testul.
		Pentru programele calibrate din fabrică, valorile maximă și minimă sunt întotdeauna egale cu valorile calibrate din fabrică și nu pot fi modificate.

- ¹ Dacă în timpul unei măsurători survine o eroare E-1 sau E-2, pe afișaj apar caracterele „_._.”. Zecimalele depind de compoziția chimică. Dacă o eroare E-1 sau E-2 survine în timpul setării la zero a instrumentului, setați din nou instrumentul la zero.
- ² Valoarea afișată intermitent este cu 10% peste limita superioară a intervalului de testare.

Piese de schimb

▲ AVERTISMENT



Pericol de vătămare corporală. Utilizarea pieselor neaprobată poate cauza vătămare corporală, deteriorarea instrumentului sau defectarea echipamentului. Piesele de schimb din această secțiune sunt aprobate de producător.

Notă: Numerele de produs și articol pot să varieze pentru unele regiuni de comercializare. Contactați distribuitorul corespunzător sau consultați site-ul Web al companiei pentru informații de contact.

Piese de schimb

Descriere	Cantitate	Nr. articol
Baterii alcaline AAA	4/pachet	4674300
Cablul capacului	1	5955900
Capac instrument	1	5954800
Cuvă, 25 mm (10 ml), cu capace	6/pachet	2427606
Cuvă, 1 cm (10 ml), cu capace	2/pachet	4864302

Содержание

Технические характеристики
на стр. 268

Общая информация на стр. 269

Начало работы на стр. 273

Пользовательский интерфейс и
управление курсором на стр. 275

Эксплуатация на стр. 277

Обслуживание на стр. 282

Поиск и устранение неполадок
на стр. 283

Запасные части на стр. 285

Дополнительная информация

Дополнительную информацию можно найти на сайте производителя.

Технические характеристики

В технические характеристики могут быть внесены изменения без предварительного уведомления.

Характеристика	Данные
Размеры (Ш x Г x В)	6,1 x 3,2 x 15,2 см (2,4 x 1,25 x 6 дюймов)
Корпус	IP67, водонепроницаемый на глубине 1 м (3,3 фута) в течение 30 минут (без батарейного отсека). Не держите под прямым солнечным светом.
Источник света	Светоизлучающий диод (СИД)
Детектор	Кремниевый фотодиод
Экран	Жидкокристаллический дисплей с задней подсветкой
Масса	0,2 кг (0,43 фунта)
Класс загрязнения	2
Категория установки	1
Класс защиты	3

Характеристика	Данные
Потребляемая мощность	4 батареи AAA, срок службы приблизительно составляет 2000 измерений (при использовании подсветки это число снижается) Использовать аккумуляторы не рекомендуется.
Условия эксплуатации	от 0 до 50 °C (от 32 до 122 °F), относительная влажность от 0 до 90%, без конденсации
Условия хранения	от –20 до 55 °C (от –7,6 до 131 °F)
Фотометрическая точность	± 0,0015 Abs
Длина волны	Фиксированная длина волны ±2 нм, отличается для каждой модели
Полоса пропускания фильтра	15 нм
Диапазон поглощения	от 0 до 2,5 Abs
Длина оптического пути кюветы	1 см (5–10 мл), 25 мм (10 мл)
Сохранение данных	Последние 10 измерений
Сертификация	Марка CE
Гарантия	2 года

Общая информация

Производитель ни при каких обстоятельствах не несет ответственности за прямой, не прямой, умышленный, неумышленный или косвенный ущерб в результате любых недочетов или ошибок, содержащихся в данном руководстве. Производитель оставляет за собой право вносить изменения в руководство или описанную в нем продукцию без извещений и обязательств. Все обновления можно найти на веб-сайте производителя.

Указания по безопасности

УВЕДОМЛЕНИЕ

Изготовитель не несет ответственности за любые повреждения, вызванные неправильным применением или использованием изделия, включая, без ограничения, прямой, неумышленный или косвенный ущерб, и снимает с себя ответственность за подобные повреждения в максимальной степени, допускаемой действующим законодательством. Пользователь несет исключительную ответственность за выявление критических рисков в работе и установку соответствующих механизмов для защиты обследуемой среды в ходе возможных неполадок оборудования.

Внимательно прочтите все руководство пользователя, прежде чем распаковывать, устанавливать или вводить в эксплуатацию оборудование. Соблюдайте все указания и предупреждения относительно безопасности. Их несоблюдение может привести к серьезной травме обслуживающего персонала или выходу из строя оборудования.

Чтобы гарантировать, что обеспечиваемая оборудованием защита не нарушена, не используйте или не устанавливайте данное оборудование никаким иным способом, кроме указанного в данном руководстве.

Информация о потенциальных опасностях

▲ ОПАСНОСТЬ

Указывает на потенциальные или непосредственно опасные ситуации, которые при нарушении приведут к серьезным травмам или смерти.

▲ ПРЕДУПРЕЖДЕНИЕ

Указывает на потенциальные или непосредственно опасные ситуации, которые при нарушении могут привести к серьезным травмам или смерти.

▲ ОСТОРОЖНО



Указывает на потенциально опасную ситуацию, которая может привести к травмам малой и средней тяжести.

УВЕДОМЛЕНИЕ

Указывает на ситуацию, которая, если ее не избежать, может привести и повреждению оборудования. Информация, на которую следует обратить особое внимание.

Предупредительные надписи

Прочтите все бирки и этикетки на корпусе прибора. При несоблюдении их требований возникает опасность телесных повреждений или повреждений прибора. Символ на приборе вместе с предостережением об опасности включен в руководство.

	Если данный символ нанесен на прибор, в руководстве по эксплуатации необходимо найти информацию об эксплуатации и/или безопасности.
	Возможен запрет на утилизацию электрооборудования, отмеченного этим символом, в европейских домашних и общественных системах утилизации. Пользователь может бесплатно вернуть старое или неработающее оборудование производителю для утилизации.

Сертификаты

Канадские нормативные требования к оборудованию вызывающему помехи, IECIS-003, класс A:

Прилагающиеся протоколы испытаний находятся у производителя.

Данное цифровое устройство класса A отвечает всем требованиям канадских норм относительно вызывающего помехи оборудования.

Cet appareil numérique de classe A répond à toutes les exigences de la réglementation canadienne sur les équipements provoquant des interférences.

Правила FCC, часть 15, ограничения класса "A"

Прилагающиеся протоколы испытаний остаются у производителя. Данное устройство соответствует требованиям части 15 правил FCC. Эксплуатация может производиться при выполнении двух следующих условий:

1. Устройство не должно создавать опасные помехи.
2. Устройство должно допускать любое внешнее вмешательство, в том числе способное привести к выполнению нежелательной операции.

Изменения и модификации данного устройства без явного на то согласия стороны, ответственной за соответствие стандартам, могут привести к лишению пользователя прав на эксплуатацию данного устройства. Результаты испытаний данного устройства свидетельствуют о соответствии ограничениям для цифровых устройств класса "А", изложенным в части 15 правил FCC. Данные ограничения предназначены для обеспечения разумной защиты от вредных помех при работе оборудования в коммерческой среде. Данное устройство генерирует, использует и может излучать радиочастотную энергию, и в случае установки и использования вопреки требованиям руководства по эксплуатации может стать источником помех, опасных для устройств радиосвязи. Эксплуатация данного устройства в населенных пунктах может привести к возникновению опасных помех – в этом случае пользователь будет обязан устранить их за свой счет. Для сокращения помех можно использовать следующие методы:

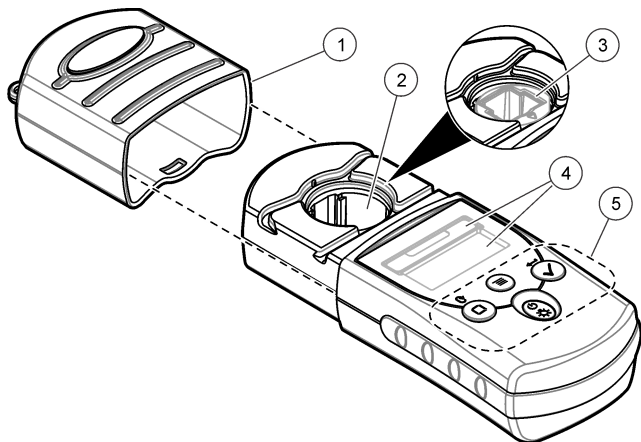
1. Переместите устройство подальше от прибора, для работы которого он создает помехи.
2. Поменяйте положение антенны другого устройства, принимающего помехи.
3. Попробуйте разные сочетания указанных выше мер.

Основные сведения о приборе

Данный прибор представляет собой портативный фильтровый фотометр, используемый для анализа воды. См. [Рисунок 106](#). Заводские настройки прибора позволяют ему измерять один или два определенных параметра. Калибровка прибора осуществляется на заводе. Пользовательская калибровка не требуется.

***Примечание:** Прибор не проходил проверку на измерение хлора и хлораминов в медицине в США.*

Рисунок 106 Общий вид изделия



1 Крышка прибора	3 Держатель кювет с адаптером для кювет 1-см ¹	5 Клавиатура
2 Держатель кювет	4 Экран	

¹ Для некоторых моделей устанавливается на заводе

Начало работы

Установка батареек

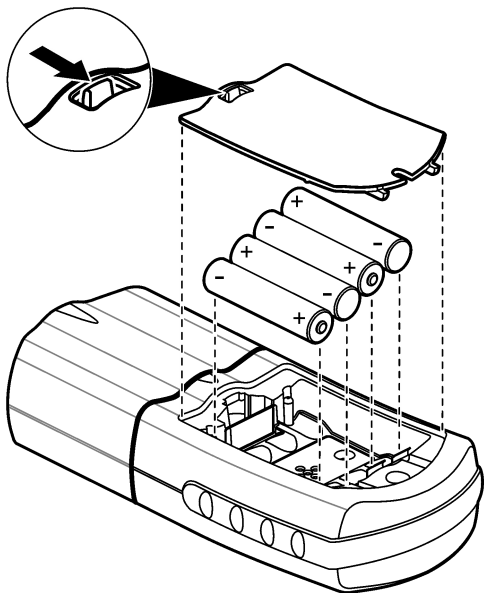
▲ ПРЕДУПРЕЖДЕНИЕ



Вероятность взрыва. При неправильной установке батареек могут выделяться взрывоопасные газы. Убедитесь, что используются батарейки одного и того же подходящего типа и они установлены с соблюдением полярности. Не устанавливайте одновременно новые и старые батарейки.

Установите батарейки, как показано на [Рисунок 107](#).

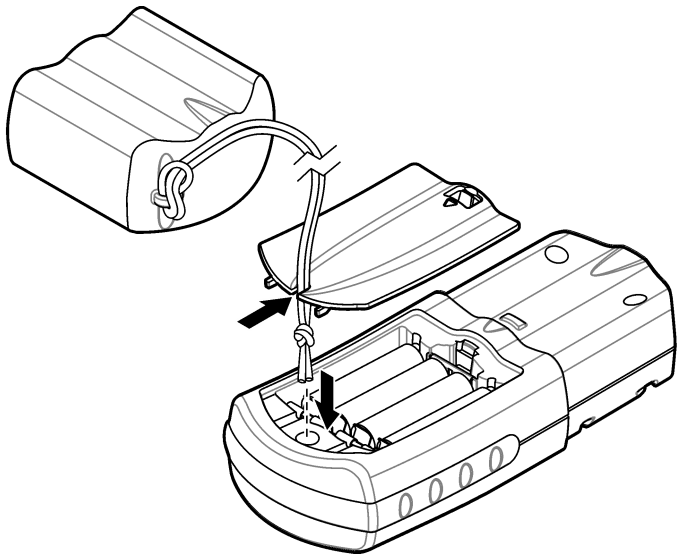
Рисунок 107 Установка батареек



Установка ремешка для крышки

Прикрепите ремешок для крышки, чтобы не допустить потери крышки прибора. См. [Рисунок 108](#).

Рисунок 108 Установка ремешка для крышки

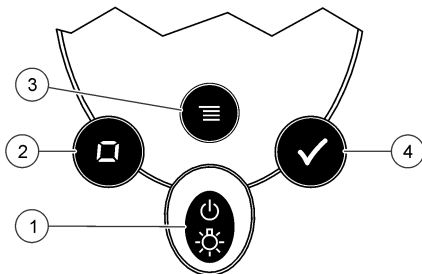


Пользовательский интерфейс и управление курсором

Описание клавиатуры

На [Рисунок 109](#) показана клавиатура и дается объяснение функциям клавиш.

Рисунок 109 Клавиатура



<p>1 Клавиша питания/подсветки: Включает и выключает питание. Нажмите и удерживайте в течение 1 секунды для включения и выключения подсветки.</p>	<p>3 Клавиша меню: Вход и выход из режима меню.</p>
<p>2 Клавиша нуля/прокрутки: Ставит показания прибора на ноль, пролистывает опции меню и числа</p>	<p>4 Клавиша чтения/ввода: Запускает измерение пробы, выбирает опцию меню, перемещает курсор на следующую цифру</p>

Описание дисплея

Рисунок 110 показывает значения и значки, отображаемые на экране.




Рисунок 110 Экран



1 Цифровой экран: Измеренное значение или опции меню	4 Значок меню: Прибор находится в режиме меню.
2 Значок диапазона: Выбранный диапазон или параметр	5 Значок отрегулированной калибровки: Заводская калибровка по умолчанию была изменена или была введена пользовательская кривая калибровки. См. расширенное руководство пользователя на сайте производителя.
3 Значение диапазона: Диапазон(ы) или параметры	6 Значок низкого заряда батареи: Уровень заряда батареи составляет 10%. Загорается в том случае, если уровень заряда батареи слишком низкий для выполнения измерений.

Эксплуатация

Настройка прибора

1. Нажмите .
2. Нажмите , чтобы пролистать опции меню. Нажмите , чтобы выбрать какую-либо опцию.

Опция Наименование

- SEL** Задает диапазон измерений или параметр. Нажмите ✓ для переключения между диапазонами измерений или параметрами.
- 00:00** Задает время в формате 24 часов (чч:мм). Нажмите ✓, чтобы настроить время. Нажмите □, чтобы изменить первую цифру, затем ✓, чтобы перейти к следующей цифре.
- rCL** Показывает последние записанные 10 измерений. Нажмите ✓, чтобы посмотреть записанные измерения (01 — самое новое измерение, 10 — самое старое измерение). Нажмите ✓, чтобы пролистать измерения. Для выбора измерения по номеру нажмите □, чтобы выбрать номер, а затем ✓. Нажмите ≡, чтобы выйти из этой опции.
- SCA** См. расширенное руководство пользователя на сайте производителя.

3. Нажмите ≡, чтобы вернуться в режим измерения.

Проведение измерений

▲ ПРЕДУПРЕЖДЕНИЕ





Опасность воздействия химических реагентов. Необходимо соблюдать правила техники безопасности и использовать индивидуальные средства защиты, соответствующие используемым химикатам. При составлении протоколов по технике безопасности воспользуйтесь действующими паспортами безопасности / паспортами безопасности материалов (MSDS/SDS).



Далее приведены базовые действия, необходимые для проведения измерений. Для выполнения конкретного метода обратитесь к соответствующей процедуре.

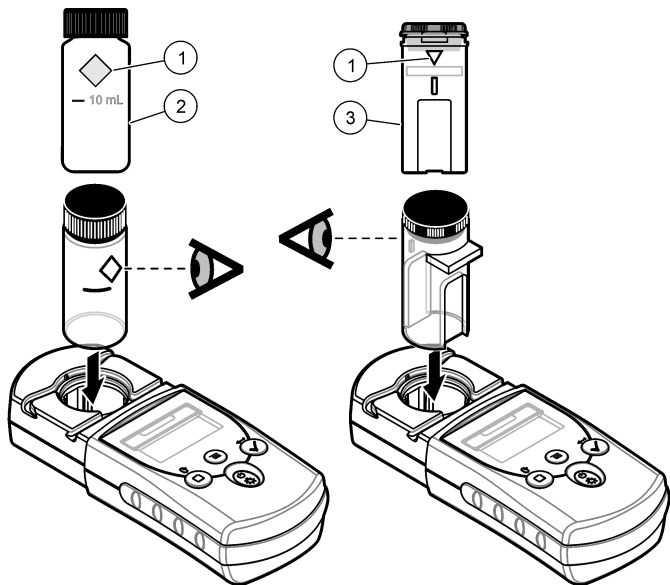
1. Выберите подходящий диапазон измерения или параметр. См. [Настройка прибора](#) на стр. 277.
2. Подготовьте холостую пробу в соответствии с процедурой метода. Убедитесь, что используется измерительная кювета правильного размера. Перед наполнением прополоскайте измерительную кювету и крышку чистой водой.
3. Закройте кювету и очистите оптические поверхности кюветы безворсовой тканью.

4. Вставьте чистую измерительную кювету в держатель. Убедитесь, что чистая измерительная кювета установлена в правильное положение — это обеспечит более высокую точность и повторяемость результатов. См. [Рисунок 111](#).
5. Установите на держатель крышку прибора. См. [Рисунок 112](#).
6. Нажмите , чтобы обнулить прибор. На дисплее отобразится "0.000" или степень разрешения, выбранная ранее.
7. Подготовьте образец. Перед наполнением три раза прополощите измерительную кювету и крышку. Добавьте реагенты в соответствии с процедурой метода.
8. Закройте измерительную кювету и очистите оптические поверхности кюветы безворсовой тканью.
9. Вставьте пробу в держатель кювет. Убедитесь, что измерительная кювета установлена в правильное положение — это обеспечит более высокую точность и повторяемость результатов. См. [Рисунок 111](#).
10. Установите на держатель крышку прибора. См. [Рисунок 112](#).
11. Нажмите . На дисплее отобразятся результаты в единицах концентрации или поглощения.

***Примечание:** Значение на экране мигает, если результат меньше или больше диапазона инструмента.*

12. Извлеките подготовленную пробу из держателя.
13. Немедленно освободите и ополосните измерительную кювету. Три раза ополосните измерительную кювету и крышку деионизированной водой.

Рисунок 111 Ориентация измерительной кюветы

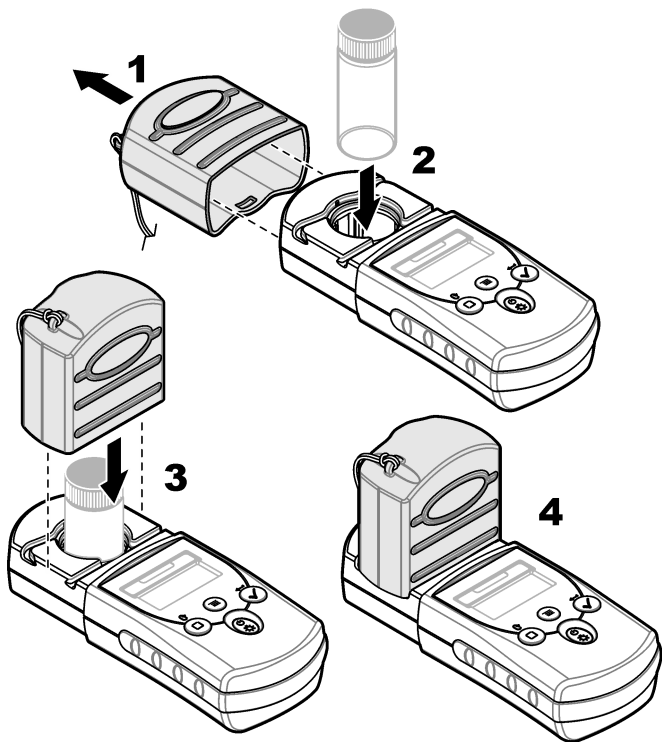


1 Метка для ориентировки кюветы

2 Измерительная кювета, 25 мм (10 мл)

3 Измерительная кювета, 1 см (10 мл)

Рисунок 112 Установите крышку прибора на держатель кюветы



Показать записанные измерения

См. опцию "rCL" в [Настройка прибора](#) на стр. 277

Обслуживание

▲ ОСТОРОЖНО



Различные опасности. Работы, описываемые в данном разделе, должны выполняться только квалифицированным персоналом.

УВЕДОМЛЕНИЕ

Не разбирайте прибор для обслуживания. При необходимости очистки или ремонта внутренних компонентов обратитесь к производителю.

Очистка прибора

Выполните очистку наружной поверхности прибора влажной тканью, пропитанной мягким мыльным раствором, после чего протрите насухо.

Очистка измерительных кювет

▲ ОСТОРОЖНО



Опасность воздействия химических реагентов. Необходимо соблюдать правила техники безопасности и использовать индивидуальные средства защиты, соответствующие используемым химикатам. При составлении протоколов по технике безопасности воспользуйтесь действующими паспортами безопасности / паспортами безопасности материалов (MSDS/SDS).



▲ ОСТОРОЖНО



Опасность воздействия химических реагентов. Утилизируйте химикаты и отходы в соответствии с местными, региональными и общегосударственными правилами и законами.

Большинство лабораторных моющих средств используются в рекомендованных концентрациях. Если необходима регулярная очистка, безопаснее использовать нейтральные моющие средства, такие как Liquinox. Чтобы снизить количество чисток, увеличьте температуру или используйте ультразвуковую ванну. Очистку завершают многократным ополаскиванием в деионизированной воде, после чего следует дать измерительной кювете высохнуть на воздухе.

Кюветы можно также очищать кислотой, после чего следует тщательно прополоскать ее деионизированной водой.


Примечание: После определения низких концентраций металлов обязательно выполняйте чистку кювет с помощью кислоты.

Для отдельных процедур требуются специальные методы очистки. Если для чистки кювет используется щетка, примите меры предосторожности во избежание нанесения царапин на внутреннюю поверхность кюветы.

Замена батареек

При низком уровне заряда батареек заменяйте их. См. [Установка батареек](#) на стр. 273.

Поиск и устранение неполадок

Ошибка	Наименование	Способ устранения
E-0	Отсутствие нуля	В режиме пользовательской калибровки измерялся стандартный раствор перед установкой нуля прибора. Измерьте нулевой раствор для установки прибора на ноль.
E-1	Ошибка, связанная с окружающим освещением ¹	В держатель кюветы попадает окружающий свет. Убедитесь, что крышка прибора плотно установлена на держателе кюветы.
E-2	Погрешность светодиода ¹	Сбилась регулировка светодиода (источника света). Замените батареи. Убедитесь, что при нажатии кнопок ✓ и  светодиод на держателе кюветы загорается.

Ошибка	Наименование	Способ устранения
E-3	Ошибка настройки стандарта	<ul style="list-style-type: none"> • Измеренное значение стандартного раствора больше ограничений настройки. Подготовьте свежий стандарт. • Стандартный раствор выходит за пределы диапазона концентрации, который можно использовать для стандартной настройки калибровки. Подготовьте стандарт с концентрацией равной или близкой к рекомендованному для данной процедуры значению. • Убедитесь, что концентрация стандартного раствора введена правильно.
E-6	Погрешность Abs	Значение поглощения неверное, либо введенная пользователем кривая калибровки имеет менее двух точек. Еще раз введите или измерьте значение поглощения.
E-7	Ошибка стандартного значения	Концентрация стандартного раствора равна концентрации другого стандартного раствора, который уже введен в пользовательскую кривую калибровки. Введите правильное значение стандартной концентрации.
E-9	Ошибка флеш-памяти	Прибор не может сохранять данные.

Ошибка	Наименование	Способ устранения
Загорается надпись "Reading" (Показание)	Значение показания выходит за рамки диапазона прибора. ²	Если значение показания ниже диапазона прибора, убедитесь, что крышка прибора плотно прилегает к держателю кюветы. Выполните холостое измерение. Если холостое показание не равно нулю, снова установите прибор на ноль.
		Если показание превышает диапазон прибора, убедитесь, что свет не блокируется в держателе кюветы. Разбавьте образец. Выполните измерение снова.
		Для откалиброванных на заводе программ максимальные и минимальные значения всегда равны значениям калибровки на заводе, и их нельзя изменить.

- 1 При возникновении во время измерения ошибок E-1 или E-2 на дисплее отображается “_._.”. Десятичный знак зависит от химического состава. Если ошибка E-1 или E-2 возникает, когда прибор установлен на ноль, установите прибор на ноль еще раз.
- 2 Высвечивающееся значение будет на 10% превышать верхний предел диапазона измерений.

Запасные части

▲ ПРЕДУПРЕЖДЕНИЕ



Риск получения травмы. Использование несогласованных деталей может стать причиной травм, повреждения прибора или нарушения в работе оборудования. Запасные детали, описанные в данном разделе, одобрены производителем.

Примечание: Номера изделия и товара могут меняться для некоторых регионов продаж. Свяжитесь с соответствующим дистрибьютором или см. контактную информацию на веб-сайте компании.

Запасные части

Описание	Количество	Изд. №
Батарейки AAA, щелочные	4 шт./уп.	4674300
Ремешок для крышки	1	5955900
Крышка прибора	1	5954800
Измерительная кювета, 25 мм (10 мл), с крышками	6 шт./уп.	2427606
Измерительная кювета, 1 см (10 мл), с крышками	2 шт./уп.	4864302

İçindekiler

Teknik Özellikler sayfa 287

Genel Bilgiler sayfa 288

Başlatma sayfa 291

Kullanıcı arayüzü ve gezinme sayfa 293

Çalıştırma sayfa 295

Bakım sayfa 300

Sorun giderme sayfa 301

Yedek parçalar sayfa 302

Ek bilgi

Ek bilgiye üreticinin web sitesinden ulaşılabilir.

Teknik Özellikler

Teknik özellikler, önceden bildirilmeksizin değiştirilebilir.

Teknik Özellik	Ayrıntılar
Boyutlar (G x D x Y)	6,1 x 3,2 x 15,2 cm (2,4 x 1,25 x 6 inç)
Muhafaza	IP67, 1 m'de (3,3 ft) 30 dakika süreyle su geçirmez (pil bölümü dahil değildir). Doğrudan güneş ışığından koruyun.
Işık kaynağı	Işık yayan diyot (LED)
Dedektör	Silikon fotodiyot
Ekran	Arkadan aydınlatmalı LCD
Ağırlık	0,2 kg (0,43 lb)
Kirlilik derecesi	2
Kurulum kategorisi	I
Koruma sınıfı	3
Güç gereksinimi	4 AAA pil; yaklaşık 2000 testlik kullanım süresi (arkadan aydınlatmanın kullanılması bu rakamın düşmesine neden olur) Şarj edilebilir pillerin kullanılması önerilmez.
Çalışma ortamı	0 - 50°C (32 - 122°F), %0 - 90 bağıl nem, yoğunlaşmayan
Saklama sıcaklığı	-20 - 55°C (-7,6 - 131°F)
Fotometrik hassasiyet	± 0,0015 Abs

Teknik Özellik	Ayrıntılar
Dalgaboyu	Sabit dalgaboyu ± 2 nm, her modelde farklıdır
Filtre bant genişliği	15 nm
Absorbans aralığı	0 - 2,5 Abs
Numune hücresi yol uzunluğu	1 cm (5 - 10 mL), 25 mm (10 mL)
Veri saklama	Son 10 ölçüm
Sertifikalar	CE işareti
Garanti	2 yıl

Genel Bilgiler

Hiçbir durumda üretici, bu kılavuzdaki herhangi bir hata ya da eksiklikten kaynaklanan doğrudan, dolaylı, özel, tesadüfi ya da sonuçta meydana gelen hasarlardan sorumlu olmayacaktır. Üretici, bu kılavuzda ve açıkladığı ürünlerde, önceden haber vermeden ya da herhangi bir zorunluluğa sahip olmadan değişiklik yapma hakkını saklı tutmaktadır. Güncellenmiş basımlara, üreticinin web sitesinden ulaşılabilir.

Güvenlik bilgileri

BİLGİ

Üretici, doğrudan, arızı ve sonuç olarak ortaya çıkan zararlar dahil olacak ancak bunlarla sınırlı olmayacak şekilde bu ürünün hatalı uygulanması veya kullanılmasından kaynaklanan hiçbir zarardan sorumlu değildir ve yürürlükteki yasaların izin verdiği ölçüde bu tür zararları reddeder. Kritik uygulama risklerini tanımlamak ve olası bir cihaz arızasında prosesleri koruyabilmek için uygun mekanizmaların bulunmasını sağlamak yalnızca kullanıcının sorumluluğundadır.

Bu cihazı paketinden çıkarmadan, kurmadan veya çalıştırmadan önce lütfen bu kılavuzun tümünü okuyun. Tehlikeler ve uyarılarla ilgili tüm ifadeleri dikkate alın. Aksi halde, kullanıcının ciddi şekilde yaralanması ya da ekipmanın hasar görmesi söz konusu olabilir.

Bu cihazın korumasının bozulmadığından emin olun. Cihazı bu kılavuzda belirtilenden başka bir şekilde kullanmayın veya kurmayın.

Tehlikeyle ilgili bilgilerin kullanılması

▲ TEHLİKE

Olması muhtemel veya yakın bir zamanda olmasından korkulan, engellenmediği takdirde ölüm veya ciddi yaralanmaya neden olacak tehlikeli bir durumu belirtir.

▲ UYARI

Önlenmemesi durumunda ciddi yaralanmalar veya ölümle sonuçlanabilecek potansiyel veya yakın bir zamanda meydana gelmesi beklenen tehlikeli durumların mevcut olduğunu gösterir.

▲ DİKKAT



Daha küçük veya orta derecede yaralanmalarla sonuçlanabilecek potansiyel bir tehlikeli durumu gösterir.

BİLGİ

Engellenmediği takdirde cihazda hasara neden olabilecek bir durumu belirtir. Özel olarak vurgulanması gereken bilgiler.

Uyarı etiketleri

Cihazın üzerindeki tüm etiketleri okuyun. Talimatlara uyulmadığı takdirde yaralanma ya da cihazda hasar meydana gelebilir. Cihaz üzerindeki bir sembol, kılavuzda bir önlem ibaresiyle belirtilir.

	Bu sembol cihazın üzerinde mevcutsa çalışma ve/veya güvenlik bilgileri için kullanım kılavuzuna referansta bulunur.
	Bu simgeyi taşıyan elektrikli cihazlar, Avrupa evsel ya da kamu atık toplama sistemlerine atılamaz. Kullanım ömrünü doldurmuş cihazları, kullanıcı tarafından ücret ödenmesine gerek olmadan atılması için üreticiye iade edin.

Belgelendirme

**Kanada Radyo Girişimine Neden Olan Cihaz Yönetmeliği,
IECS-003, A Sınıfı:**

Destekleyen test kayıtları, üreticide bulunmaktadır.

Bu A Sınıfı dijital cihaz, Kanada Girişime Neden Olan Cihaz Yönetmeliğinin tüm şartlarını karşılamaktadır.

Cet appareil numérique de classe A répond à toutes les exigences de la réglementation canadienne sur les équipements provoquant des interférences.

FCC PART 15, "A" Sınıfı Limitleri

Destekleyen test kayıtları, üreticide bulunmaktadır. Bu cihaz, FCC Kurallarının Bölüm 15'ine uygundur. Çalıştırma için aşağıdaki koşullar geçerlidir:

1. Cihaz, zararlı girişime neden olmaz.
2. Bu cihaz, istenmeyen işleyişe yol açabilecek parazit de dahil olmak üzere, alınan her türlü paraziti kabul edecektir.

Bu cihaz üzerinde, uyumluluktan sorumlu tarafın açıkça onaylamadığı her türlü değişiklik, kullanıcının cihazı çalıştırma yetkisini geçersiz kılacaktır. Bu cihaz, test edilmiş ve FCC kuralları, Bölüm 15 uyarınca A Sınıfı bir dijital cihaz limitlerini karşıladığı tespit edilmiştir. Bu limitler, ekipmanın bir işyeri ortamında çalıştırılması durumunda zararlı parazitlere karşı uygun koruma sağlayacak şekilde tasarlanmıştır. Bu cihaz, telsiz frekansı enerjisi üretir, kullanır ve yayabilir ve kullanım kılavuzuna uygun olarak kurulmazsa ve kullanılmazsa telsiz iletişimlerine zararlı parazitlere neden olabilir. Bu cihazın bir konut alanında kullanılması zararlı parazitlere neden olabilir. Böyle bir durumda kullanıcının masrafları kendisine ait olmak üzere bu parazitleri düzeltilmesi gerekecektir. Parazit sorunlarını azaltmak için aşağıdaki teknikler kullanılabilir:

1. Cihazı parazit alan cihazdan uzaklaştırın.
2. Cihazın parazite neden olduğu cihazın alıcı antenini başka bir yere taşıyın.
3. Yukarıda sıralanan önlemleri birlikte uygulamayı deneyin.

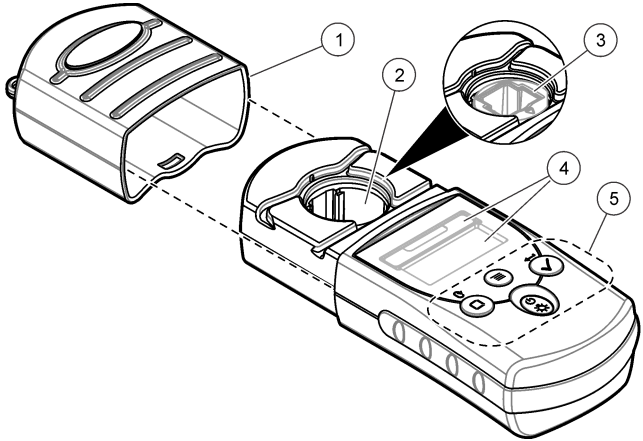
Ürüne genel bakış

Bu cihaz, su testlerinde kullanılan portatif bir filtre fotometredir. Bkz.

Şekil 113. Bu cihaz, fabrikada bir veya iki spesifik parametreyi ölçecek şekilde yapılandırılmıştır. Bu cihaz fabrikada kalibre edilmiştir. Kullanıcı tarafından kalibre edilmesi gerekli değildir.

Not: Bu cihaz, Amerika Birleşik Devletleri'ndeki tıbbi uygulamalarda klor ve kloramin değerlerini ölçmek için değerlendirmeye tabi tutulmamıştır.

Şekil 113 Cihaza genel bakış



1 Cihaz kapağı	3 1 cm'lik hücre adaptörlü hücre tutucu ¹	5 Tuş takımı
2 Hücre tutucu	4 Ekran	

¹ Bazı modellerde fabrikada takılmıştır

Başlatma

Pillerin takılması

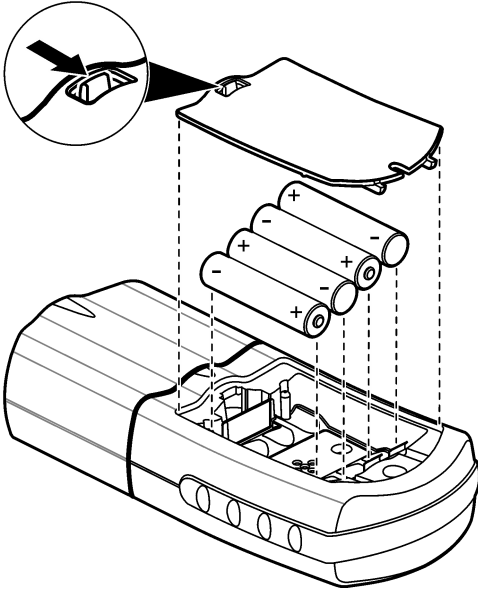
⚠ UYARI



Patlama tehlikesi. Pilin yanlış takılması, patlayıcı gazların salınmasına neden olabilir. Pillerin aynı ve onaylanmış kimyasal türde olduklarından, ayrıca doğru yönlerde takılı olduklarından emin olun. Yeni ve kullanılmış pilleri bir arada kullanmayın.

Pilleri [Şekil 114](#)'de gösterildiği şekilde takın.

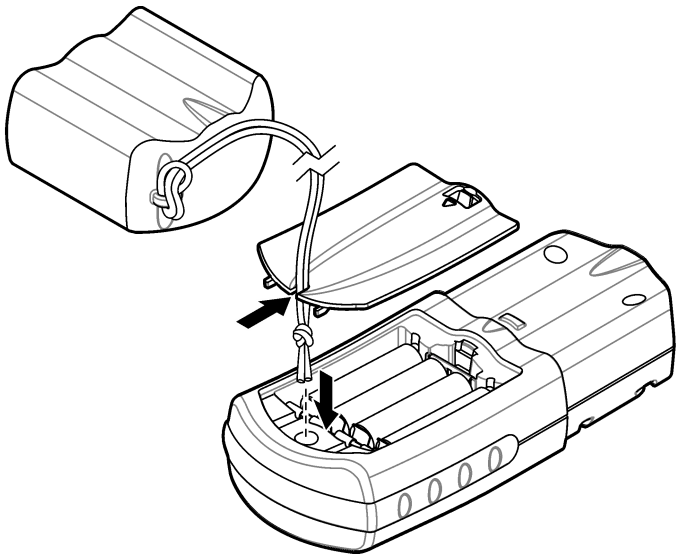
Şekil 114 Pillerin takılması



Kapak kordonunun takılması

Cihazın kapağının kaybolmasını önlemek için kapak kordonunu takın.
Bkz. [Şekil 115](#).

Şekil 115 Kapak kordonunun takılması

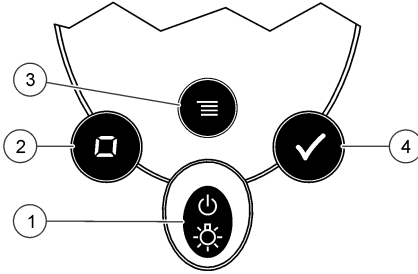


Kullanıcı arayüzü ve gezinme

Tuş takımının açıklaması

[Şekil 116](#)'da tuş takımı gösterilmekte ve tuş işlevleri verilmektedir.

Şekil 116 Tuş takımı



1 Güç/Arkadan aydınlatma tuşu:
Gücün açılıp kapatılmasını sağlar.
Arkadan aydınlatmayı açmak veya
kapatmak için tuşa basın ve
1 saniye basılı tutun.

2 Sıfır/Kaydırma tuşu: Cihazın sıfır
değerine ayarlanmasını ve menü
seçenekleri ve numaralar arasında
geçiş yapılmasını sağlar

3 Menü tuşu: Menü moduna
girilmesini ve menü modundan
çıkılmasını sağlar.

4 Okuma/Giriş tuşu: Örnek ölçümün
başlatılmasını, bir menü
seçeneğinin belirlenmesini ve
imlecin bir sonraki rakama
geçirilmesini sağlar

Ekran açıklaması

Şekil 117, ekranda görüntülenen değerleri ve simgeleri gösterir.

Şekil 117 Ekran



1 Sayısal ekran: Ölçüm değeri veya menü seçenekleri	4 Menü simgesi: Cihazın menü modunda olduğunu gösterir.
2 Aralık simgesi: Seçilen aralık veya parametre	5 Kalibrasyon ayarlandı simgesi: Varsayılan fabrika çıkış kalibrasyon ayarının yapıldığını veya kullanıcı girişli kalibrasyon eğrisinin girildiğini gösterir. Üreticinin web sayfasında bulunan genişletilmiş kullanım kılavuzuna bakın.
3 Aralık değeri: Aralık(lar) veya parametreler	6 Düşük pil düzeyi simgesi: Pil düzeyinin %10'a düştüğünü gösterir. Pil düzeyi ölçüm yapılamayacak kadar düşük olduğunda yanıp söner.

Çalıştırma

Cihazın yapılandırılması

1. ≡ tuşuna basın.
2. Menü seçenekleri arasında gezinmek için □ tuşuna basın. Bir seçeneği seçmek için ✓ tuşuna basın.

Seçenek Açıklama

SEL Ölçüm aralığı veya parametrenin ayarlanmasını sağlar. Ölçüm aralıkları veya parametreler arasında geçiş yapmak için ✓ tuşuna basın.

Seçenek Açıklama

- 00:00** Saatin 24 saat formatında (ss:dd) ayarlanmasını sağlar. Saati değiştirmek için ✓ tuşuna basın. Birinci rakamı değiştirmek için □ tuşuna basın, ardından ✓ tuşuna basarak bir sonraki rakama geçin.
- rCL** Son kaydedilen 10 ölçümü gösterir. Kaydedilen ölçümleri göstermek için ✓ tuşuna basın (01: en yeni ölçüm, 10: en eski ölçüm). Ölçümler arasında geçiş yapmak için ✓ tuşuna basın. Bir ölçümü rakama göre seçmek için □ tuşuna basarak rakamı seçin, ardından ✓ tuşuna basın. Bu seçeneğe çıkmak için ≡ tuşuna basın.
- SCA** Üreticinin web sayfasında bulunan genişletilmiş kullanım kılavuzuna bakın.

3. Ölçüm moduna geri dönmek için ≡ tuşuna basın.

Analizin gerçekleştirilmesi


⚠ UYARI



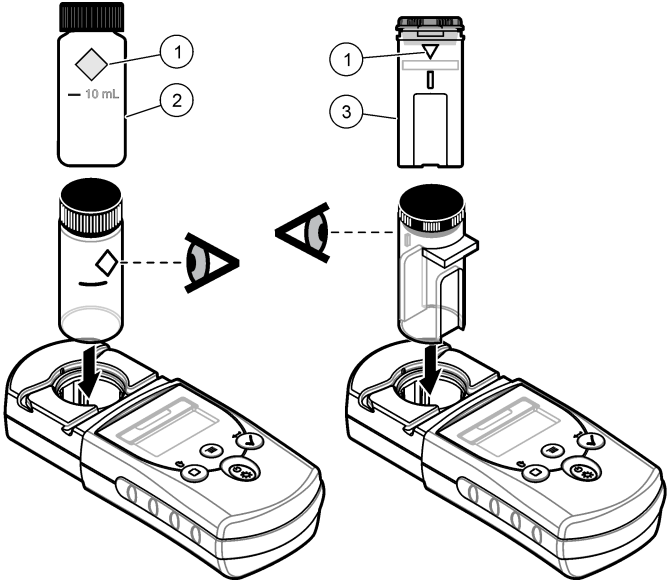
Kimyasal maddelere maruz kalma tehlikesi. Laboratuvar güvenlik talimatlarına uyun ve kullanılan kimyasallara uygun kişisel koruma ekipmanının tamamını kullanın. Güvenlik protokolleri için mevcut güvenlik bilgi formlarına (MSDS) bakın.

Analiz yapılabilmesi için temel ölçüm adımlarının uygulanması gereklidir. Belirli bir analizi gerçekleştirmek için uygun metoda başvurun.

1. Uygun ölçüm aralığı veya parametresini seçin. Bkz. [Cihazın yapılandırılması](#) sayfa 295.
2. Şahidi metodun prosedürüne göre hazırlayın. Doğru boyuttaki numune hücresinin kullanıldığından emin olun. Numune hücresinin doldurmadan önce numune hücresinin ve kapağını şahitle yıkayın.
3. Numune hücresinin kapatın ve numune hücresinin optik yüzeylerini tiftiksiz, toz ve leke bırakmayan bir bezle temizleyin.
4. Şahit numune hücresinin hücre tutucuya yerleştirin. Sonuçların daha tekrarlanabilir ve hassas olması için şahit numune hücresinin doğru bir şekilde ve doğru yönde taktığınızdan emin olun. Bkz. [Şekil 118](#).

5. Cihazın kapađını hücre tutucunun üzerine kapatın. Bkz. [Şekil 119](#).
6. Cihazı sıfıra ayarlamak için  tuşuna basın. Ekranda "0.000" veya önceden belirlenmiş olan çözünürlük derecesi gösterilir.
7. Numuneyi hazırlayın. Numune hücrelerini doldurmadan önce numune hücrelerini ve kapađını numune ile üç kez yıkayın. Reaktifleri metodun prosedüründe gösterildiđi şekilde ekleyin.
8. Numune hücrelerini kapatın ve hücrenin optik yüzeylerini tiftiksiz, toz ve leke bırakmayan bir bezle temizleyin.
9. Numuneyi hücre tutucuya yerleřtirin. Sonuçların daha tekrarlanabilir ve hassas olması için numune hücrelerini dođru bir şekilde ve dođru yönde taktığınızdan emin olun. Bkz. [Şekil 118](#).
10. Cihazın kapađını hücre tutucunun üzerine kapatın. Bkz. [Şekil 119](#).
11. ✓ tuşuna basın. Ekranda, konsantrasyon veya absorpsiyon olarak sonuçlar gösterilir.
Not: Sonuç cihazın aralıđından düşük veya yüksekse sonuç yanıp söner.
12. Hazırlanan numuneyi hücre tutucudan çıkarın.
13. Numune hücrelerini hemen boşaltıp yıkayın. Numune hücrelerini ve kapađı deiyonize suyla üç kez yıkayın.

Şekil 118 Numune hücresinin yerleştirilmesi

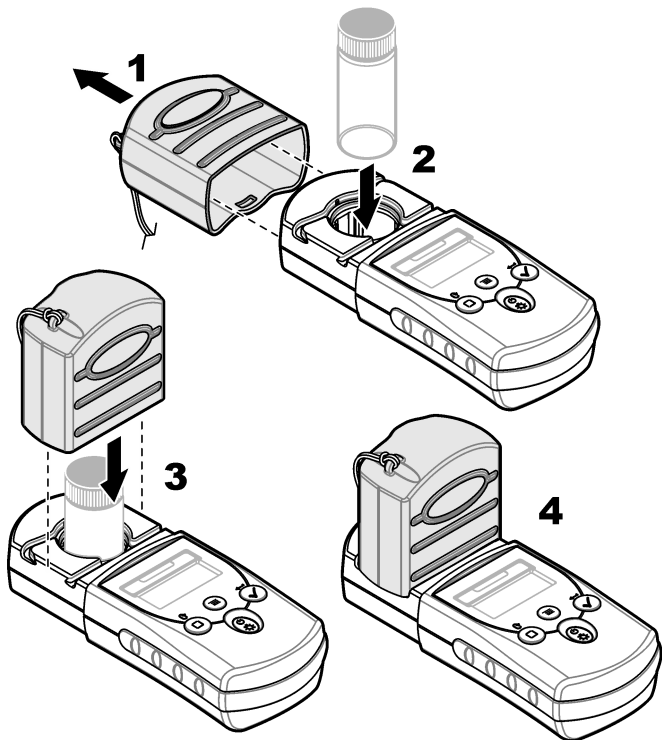


1 Yön işareti

2 Numune hücresi,
25 mm (10 mL)

3 Numune hücresi,
1 cm (10 mL)

Şekil 119 Cihazın kapağının hücre tutucunun üzerine kapatılması



Kaydedilen ölçümlerin gösterilmesi

Bkz. sayfa 95'deki [Cihazın yapılandırılması](#) sayfa 295 bölümündeki "rCL" seçeneği.

Bakım

⚠ DİKKAT



Birden fazla tehlike. Belgenin bu bölümünde açıklanan görevleri yalnızca yetkili personel gerçekleştirmelidir.

BİLGİ

Cihazı bakım için demonte etmeyin. Dahili bileşenlerin temizlenmesi ya da onarılması gerektiğinde üreticinize başvurun.

Numune hücrelerinin temizlenmesi

⚠ DİKKAT



Kimyasal maddelere maruz kalma tehlikesi. Laboratuvar güvenlik talimatlarına uyun ve kullanılan kimyasallara uygun kişisel koruma ekipmanının tamamını kullanın. Güvenlik protokolleri için mevcut güvenlik bilgi formlarına (MSDS) bakın.



⚠ DİKKAT



Kimyasal maddelere maruz kalma tehlikesi. Kimyasal maddeleri ve atıkları, yerel, bölgesel ve ulusal yönetmeliklere uygun şekilde atın.

Laboratuvar deterjanlarının çoğu önerilen konsantrasyonlarda kullanılır. Düzenli temizlik gerektiğinde Liquinox gibi nötr deterjanların kullanılması daha güvenlidir. Temizleme süresini kısaltmak için, sıcaklığı artırın veya bir ultrasonik banyo kullanın. Temizleme işlemini tamamlamak için numune hücrelerini birkaç kez deiyonize suyla yıkayıp kendi kendine kurumaya bırakın. Numune hücreler aynı zamanda asitle temizlenerek ardından deiyonize suyla iyice yıkanabilir.


Not: Düşük seviyeli metal testlerinde kullanılan numune hücrelerini temizlemek için her zaman asit kullanın.

Bazı prosedürler için özel temizleme yöntemleri gereklidir. Numune hücrelerini temizlerken fırça kullanıldığında, numune hücrelerinin iç yüzeyini çizmemek için ekstra özen gösterin.

Pillerin değiştirilmesi

Pil düzeyi düşük olduğunda pilleri değiştirin. Bkz. [Pillerin takılması](#) sayfa 291.


Sorun giderme

Hata	Açıklama	Çözüm
E-0	Sıfır yok	Kullanıcı kalibrasyon modunda, cihaz sıfır değerine ayarlanmadan önce standart bir çözelti ölçülmüştür. Cihazı sıfırlamak için bir şahit çözelti ölçün.
E-1	Ortam ışığı hatası ¹	Hücre tutucuda ortam ışığı vardır. Cihazın kapağının hücre tutucunun üzerine tam olarak kapatıldığından emin olun.
E-2	LED hatası ¹	LED (ışık kaynağı) sistem dışı kalmıştır. Pilleri değiştirin. ✓ veya  tuşuna basıldığında hücre tutucudaki LED'in yandığından emin olun.
E-3	Standart ayarlama hatası	<ul style="list-style-type: none">• Standart çözeltinin ölçüm değeri ayarlanan sınırlarının üzerindedir. Yeni bir standart hazırlayın.• Standart çözelti, standart kalibrasyon ayarı için kullanılabilir konsantrasyon aralığı içinde değildir. Prosedürde belirtilen önerilen konsantrasyonlarda veya bu konsantrasyon değerlerine yakın bir değerde bir standart hazırlayın.• Standart çözeltinin konsantrasyon değerinin doğru girildiğinden emin olun.
E-6	Abs hatası	Absorbans değeri doğru değildir veya kullanıcı tarafından girilen kalibrasyon eğrisinde ikiden az nokta vardır. Absorbans değerini yeniden girin veya ölçün.

Hata	Açıklama	Çözüm
E-7	Standart değer hatası	Standart çözelti konsantrasyonu, kullanıcı tarafından girilen kalibrasyon eğrisine daha önceden girilmiş bir standart çözelti konsantrasyonuna eşittir. Doğru standart konsantrasyonu girin.
E-9	Flash hatası	Cihaz verileri kaydedemiyordur.
Okumanın yanıp sönməsi	Okuma değeri cihaz aralığından düşük veya yüksektir. ²	Okuma değeri cihaz aralığından düşükse cihazın kapağının hücre tutucunun üzerine tam olarak takıldığından emin olun. Bir şahit ölçün. Şahit okuması değeri sıfır değilse cihazı tekrar sıfırlayın.
		Okuma değeri cihaz aralığından yüksekse hücre tutucuda ışığın engellenip engellenmediğini belirleyin. Numuneyi seyreltin. Analizi yeniden yapın.
		Fabrikada kalibre edilen programlarda maksimum ve minimum değerler her zaman fabrika kalibrasyon değerlerine eşittir ve değiştirilemez.

- 1 Bir ölçümde E-1 veya E-2 hatasıyla karşılaşıldığında, ekranda “_._” görüntülenir. Ondalık hane madde yapısına göre değişir. Cihaz sıfırlanırken E-1 veya E-2 hatasıyla karşılaşılmaması halinde cihazı tekrar sıfırlayın.
- 2 Yanıp sönen değer, en yüksek analiz aralığı sınırından %10 yüksek olacaktır.

Yedek parçalar

▲ UYARI	
	Yaralanma tehlikesi. Onaylanmayan parçaların kullanımı kişisel yaralanmalara, cihazın zarar görmesine ya da donanım arızalarına neden olabilir. Bu bölümdeki yedek parçalar üretici tarafından onaylanmıştır.

Not: Bazı satış bölgelerinde Ürün ve Madde numaraları değişebilir. İrtibat bilgileri için uygun distribütörle bağlantı kurun veya şirketin web sitesine başvurun.

Yedek parçalar

Açıklama	Miktar	Ürün no.
AAA piller, alkalin	4/pkt	4674300
Kapak kordonu	1	5955900
Cihaz kapağı	1	5954800
Numune hücresi, 25 mm (10 mL), kapaklı	6/pkt	2427606
Numune hücresi, 1 cm (10 mL), kapaklı	2/pkt	4864302

Obsah

Technické údaje na strane 304	Prevádzka na strane 312
Všeobecné informácie na strane 305	Údržba na strane 317
Spustenie do prevádzky na strane 309	Riešenie problémov na strane 318
Užívateľské rozhranie a navigácia na strane 310	Náhradné diely na strane 319

Ďalšie informácie

Ďalšie informácie sú k dispozícii na webovej stránke výrobcu.

Technické údaje

Technické údaje podliehajú zmenám bez upozornenia.

Technický údaj	Detaily
Rozmery (Š x H x V)	6,1 x 3,2 x 15,2 cm (2,4 x 1,25 x 6 palcov)
Skrinka	IP67, vodotesný do hĺbky 1 m (3,3 stopy) počas 30 minút (mimo priestoru pre batérie). Uchovávajte mimo priameho slnečného svetla.
Zdroj svetla	Svetlo emitujúca dióda (LED)
Detektor	Kremíková fotodióda
Displej	LCD s podsvietením
Hmotnosť	0,2 kg (0,43 lb)
Stupeň znečisťovania	2
Inštalčná kategória	I
Trieda ochrany	3
Požiadavky na napájanie	4 batérie typu AAA, približná výdrž na 2 000 testov (pri používaní podsvietenia sa táto hodnota znižuje) Neodporúča sa používať nabíjateľné batérie.
Prevádzkové prostredie	0 až 50 °C (32 až 122 °F), relatívna vlhkosť 0 až 90 % nekondenzujúca
Teplota skladovania	-20 až 55 °C (-7,6 až 131 °F)

Technický údaj	Detaily
Fotometrická presnosť	$\pm 0,0015$ Abs
Vlnová dĺžka	Pevná vlnová dĺžka ± 2 nm, líši sa pri jednotlivých modeloch
Šírka pásma filtra	15 nm
Rozsah absorbancie	0 až 2,5 Abs
Dĺžka dráhy kyvety na vzorku	1 cm (5 – 10 ml), 25 mm (10 ml)
Ukladanie údajov	Posledných 10 meraní
Certifikáty	Označenie CE
Záruka	2 roky

Všeobecné informácie

Výrobca v žiadnom prípade nenesie zodpovednosť za priame, nepriame, mimoriadne, náhodné alebo následné škody spôsobené chybou alebo opomenutím v tomto návode na použitie. Výrobca si vyhradzuje právo na vykonávanie zmien v tejto príručke alebo na predmetnom zariadení kedykoľvek, bez oznámenia alebo záväzku. Revidované vydania sú k dispozícii na webových stránkach výrobcu.

Bezpečnostné informácie

POZNÁMKA

Výrobca nie je zodpovedný za škody spôsobené nesprávnym alebo chybným používaním tohto zariadenia vrátane, okrem iného, priame, náhodné a následné škody, a odmieta zodpovednosť za takéto škody v plnom rozsahu povolenom príslušným zákonom. Používateľ je výhradne zodpovedný za určenie kritického rizika pri používaní a zavedenie náležitých opatrení na ochranu procesov počas prípadnej poruchy prístroja.

Pred vybalením, nastavením alebo prevádzkou tohto zariadenia si prečítajte prosím celý návod. Venujte pozornosť všetkým výstrahám a upozorneniam na nebezpečenstvo. Zanedbanie môže mať za následok vznik vážnych zranení obsluhy alebo poškodenie zariadenia.

Ak si chcete byť istí, že ochrana tohto zariadenia nebude porušená, nepoužívajte ani nemontujte toto zariadenie iným spôsobom, ako je uvedený v tomto návode.

Informácie o možnom nebezpečenstve

▲ NEBEZPEČIE

Označuje potenciálne alebo bezprostredne nebezpečnú situáciu, ktorá, ak sa jej nezabráni, spôsobí smrť alebo vážne zranenie.

▲ VAROVANIE

Označuje potenciálne alebo bezprostredne nebezpečnú situáciu, ktorá, ak sa jej nezabráni, by mohla spôsobiť smrť alebo vážne zranenie.

▲ UPOZORNENIE



Označuje potenciálne ohrozenie s možným ľahkým alebo stredne ťažkým poranením.

POZNAMKA

Označuje situáciu, ktorá, ak sa jej nezabráni, môže spôsobiť poškodenie prístroja. Informácie, ktoré vyžadujú zvýšenú pozornosť.

Výstražné štítky

Preštudujte si všetky štítky a značky, ktoré sa nachádzajú na zariadení. Pri ich nedodržaní hrozí zranenie osôb alebo poškodenie prístroja. Symboly na prístroji sú vysvetlené v návode spolu s bezpečnostnými pokynmi.

	Tento symbol na prístroji upozorňuje na prevádzkovú alebo bezpečnostnú informáciu v príručke s pokynmi.
	Elektrické zariadenie označené týmto symbolom sa v rámci Európy nesmie likvidovať v systémoch likvidácie domového alebo verejného odpadu. Staré zariadenie alebo zariadenie na konci životnosti vráťte výrobcovi na bezplatnú likvidáciu.

Certifikáty

Kanadská smernica o zariadeniach spôsobujúcich elektromagnetické rušenie, IECs-003, Trieda A

Príslušné protokoly zo skúšok sú uchovávané u výrobcu zariadenia.

Tento digitálny prístroj Triedy A vyhovuje všetkým požiadavkám Kanadskej smernice o zariadeniach spôsobujúcich elektromagnetické rušenie.

Cet appareil numérique de classe A répond à toutes les exigences de la réglementation canadienne sur les équipements provoquant des interférences.

Obmedzenia podľa smernice FCC, Časť 15, Trieda „A“

Príslušné protokoly zo skúšok sú uchovávané u výrobcu zariadenia. Toto zariadenie vyhovuje požiadavkám Časti 15 smernice FCC. Používanie zariadenia podlieha nasledujúcim podmienkam:

1. Zariadenie nesmie spôsobovať elektromagnetické rušenie.
2. Toto zariadenie musí byť schopné prijať akékoľvek rušenie, vrátane takého, ktoré môže spôsobiť nežiadajú prevádzku.

V dôsledku zmien alebo úprav na tomto zariadení vykonaných bez výslovného schválenia organizáciou zodpovednou za posúdenie zhody môže používateľ stratiť oprávnenie prevádzkovať toto zariadenie. Skúškou bolo potvrdené, že toto zariadenie vyhovuje obmedzeniam pre digitálne zariadenia Triedy A, podľa Časti 15 smernice FCC. Tieto obmedzenia sú určené na zabezpečenie primeranej miery ochrany proti elektromagnetickému rušeniu pri prevádzke zariadenia v priemyselnom prostredí. Toto zariadenie vytvára, využíva a môže vyžarovať energiu v pásme rádiových frekvencií a v prípade, ak nie je nainštalované a používané v súlade s návodom na obsluhu, môže spôsobovať rušenie rádiovkej komunikácie. Pri používaní tohto zariadenia v obytnej zóne je vysoká pravdepodobnosť, že dôjde k takémuto rušeniu. V takom prípade je používateľ zariadenia povinný obmedziť elektromagnetické rušenie na vlastné náklady. Pri odstraňovaní problémov s elektromagnetickým rušením možno použiť nasledujúce postupy:

1. Presuňte zariadenie ďalej od zariadenia zasiahnutého rušením.
2. Zmeňte polohu prijímacej antény na zariadení zasiahnutom rušením.
3. Skúste kombináciu vyššie uvedených postupov.

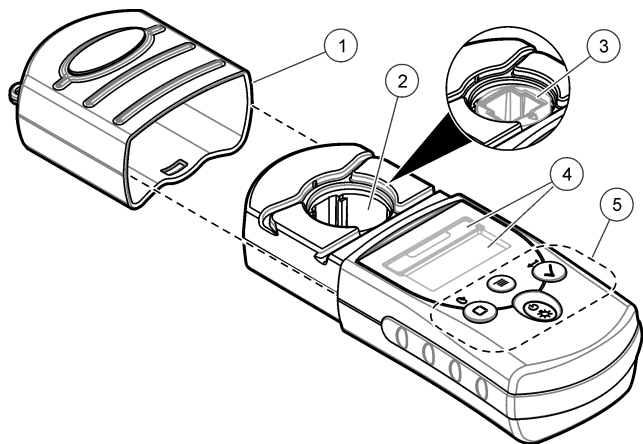
Popis výrobku

Tento prístroj je prenosný filterový fotometer určený na testovanie vody. Pozri [Obrázok 120](#). Tento prístroj je z výroby nakonfigurovaný na

meranie jedného alebo dvoch konkrétnych parametrov. Tento prístroj je kalibrovaný z výroby. Nie je potrebná kalibrácia používateľom.

Poznámka: Tento prístroj nebol posudzovaný na meranie chlóru a chloramínov v medicínskych aplikáciách v Spojených štátoch.

Obrázok 120 Popis prístroja



1 Veko prístroja	3 Držiak kvety s adaptérom kvety s veľkosťou 1 cm ¹	5 Klávesnica
2 Držiak kvety	4 Displej	

¹ Pri niektorých modeloch nainštalované pri výrobe

Spustenie do prevádzky

Vloženie batérií

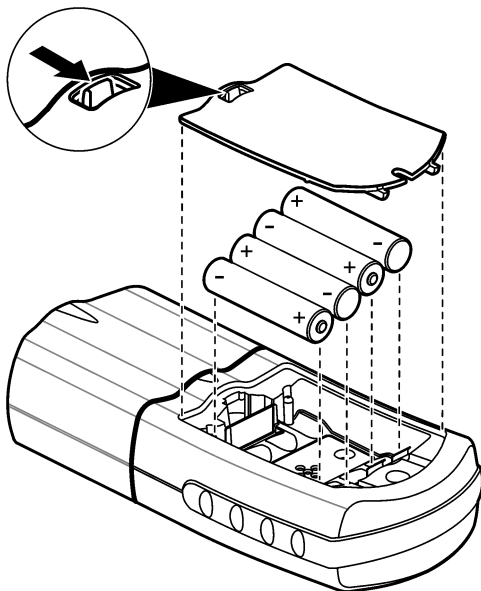
⚠ VAROVANIE



Nebezpečenstvo výbuchu. Z nesprávne vložených batérií sa môžu uvoľňovať výbušné plyny. Ubezpečte sa, že batérie sú rovnakého odporúčaného chemického typu a že sú správne orientované. Nepoužívajte nové batérie spolu so starými.

Vložte batérie podľa znázornenia na [Obrázok 121](#).

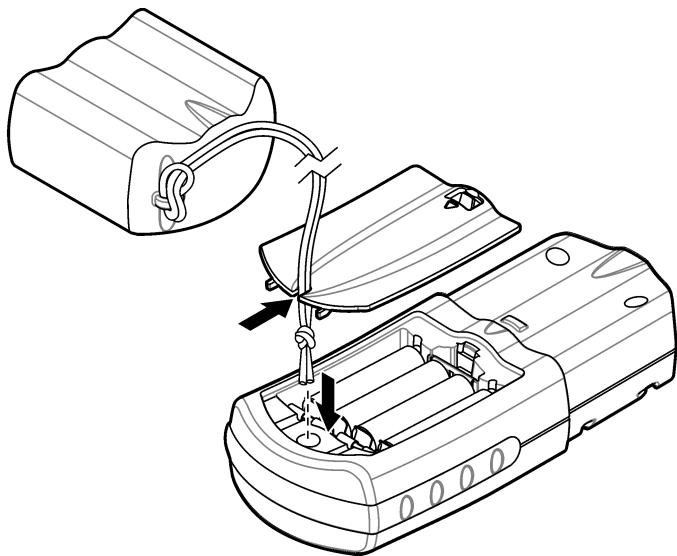
Obrázok 121 Vkladanie batérií



Pripevnenie šnúry veka

Aby sa predišlo strate veka prístroja, pripevnite k nemu šnúru. Pozri [Obrázok 122](#).

Obrázok 122 Pripevnenie šnúry veka

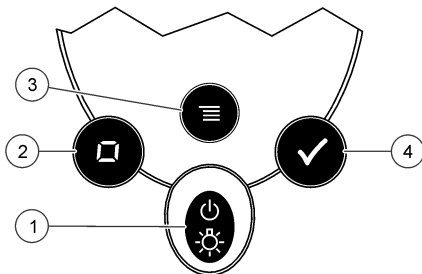


Užívateľské rozhranie a navigácia

Popis klávesnice

[Obrázok 123](#) zobrazuje klávesnicu a uvádza funkcie tlačidiel.

Obrázok 123 Klávesnica



<p>1 Tlačidlo napájania/podsvietenia: Slúži na zapnutie a vypnutie napájania. Ak chcete podsvietenie zapnúť, resp. vypnúť, stlačte ho a podržte 1 sekundu.</p>	<p>3 Tlačidlo ponuky: Slúži na vstup do režimu ponuky a jeho ukončenie.</p>
<p>2 Tlačidlo nulovania/posunu: Slúži na vynulovanie prístroja, posúvanie v položkách ponuky a číslach</p>	<p>4 Tlačidlo načítania/potvrdenia: Slúži na spustenie merania vzorky, výber možnosti ponuky, presunutie kurzora na nasledujúcu číslicu</p>

Popis displeja

[Obrázok 124](#) zobrazuje hodnoty a ikony zobrazené na displeji.


Obrázok 124 Displej




1 Číselný displej: Nameraná hodnota alebo možnosti ponuky	4 Ikona ponuky: Prístroj je v režime ponuky.
2 Ikona rozsahu: Vybratý rozsah alebo parameter	5 Ikona upravenej kalibrácie: Bola upravená predvolená výrobná kalibrácia alebo bola zadaná používateľom stanovená kalibračná krivka. Pozrite si rozšírenú príručku používateľa na webovej stránke výrobcu.
3 Hodnota rozsahu: Rozsah(-y) alebo parametre	6 Ikona nízkej úrovne batérie: Úroveň batérie je 10 %. Bliká, ak je úroveň batérie príliš nízka a nemožno dokončiť merania.

Prevádzka

Konfigurácia prístroja

1. Stlačte tlačidlo ☰.
2. Stlačením tlačidla  sa môžete posúvať medzi možnosťami ponuky. Stlačením tlačidla ✓ vyberte príslušnú možnosť.

Voľba Popis

- SEL** Nastaví rozsah merania alebo parameter. Stlačením tlačidla ✓ prepínate medzi rozsahmi merania alebo parametrami.
- 00:00** Nastaví čas v 24-hodinovom formáte (hh:mm). Stlačením tlačidla ✓ zmeňte čas. Stlačením tlačidla  zmeňte prvú číslicu a potom stlačením tlačidla ✓ prejdite na nasledujúcu číslicu.

Voľba Popis

- rCL** Zobrazí 10 posledných zaznamenaných meraní. Stlačením tlačidla ✓ zobrazíte zaznamenané merania (01 – najnovšie meranie, 10 – najstaršie meranie). Stlačením tlačidla ✓ sa môžete posúvať medzi meraniami. Ak chcete vybrať meranie podľa čísla, stlačením tlačidla vyberte číslo a potom stlačte tlačidlo ✓. Stlačením tlačidla ≡ ukončíte túto možnosť.
- SCA** Pozrite si rozšírenú príručku používateľa na webovej stránke výrobcu.

3. Stlačením tlačidla ≡ sa vrátite späť do režimu merania.

Spustenie testu

⚠ V A R O V A N I E



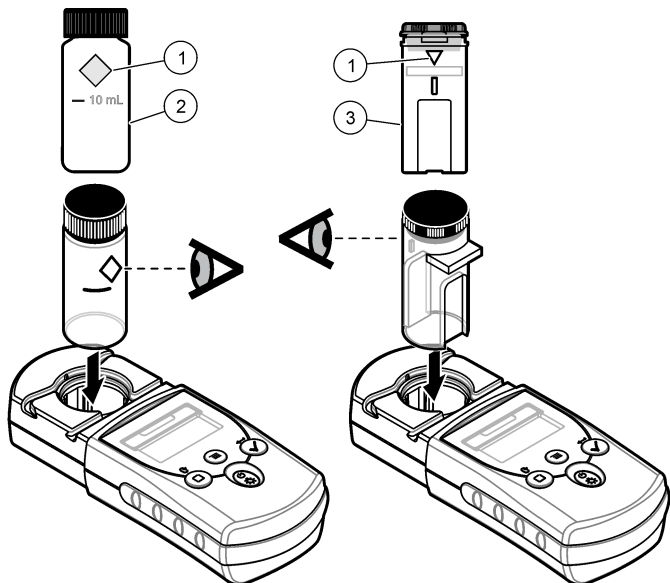
Nebezpečenstvo vystavenia chemikáliám. Dodržiavajte laboratórne bezpečnostné postupy a používajte všetky osobné ochranné pomôcky zodpovedajúce chemikáliám, s ktorými pracujete. Bezpečnostné protokoly nájdete v aktuálnych kartách bezpečnostných údajov (MSDS/SDS).

V nasledujúcej časti sú uvedené základné kroky merania potrebné na vykonanie testu. Pri spustení konkrétneho testu si pozrite príslušný pracovný postup.

1. Vyberte zodpovedajúci rozsah merania alebo parameter. Pozri [Konfigurácia prístroja](#) na strane 312.
2. Podľa pracovného postupu pripravte slepú vzorku, blank. Uistite sa, že používate správnu veľkosť kyvety na vzorku. Pred naplnení kyvety na vzorku vypláchnite blankom kyvetu na vzorku a veko.
3. Zatvorte kyvetu na vzorku a vyčistite optické plochy kyvety na vzorku utierkou, ktorá nezanecháva chlípky.
4. Kyvetu na vzorku s blankom vložte do držiaka kyvety. Uistite sa, že ste kyvetu na vzorku s blankom nainštalovali v správnej a zhodnej orientácii, dosiahnete tak presnejšie výsledky s vyššou opakovateľnosťou. Pozri [Obrázok 125](#).
5. Nasadte veko prístroja na držiak kyvety. Pozri [Obrázok 126](#).
6. Stlačením tlačidla sa prístroj vynuluje. Na displeji sa zobrazí hodnota „0.000“ alebo stupeň rozlíšenia, ktorý bol predtým vybraný.

7. Pripravte vzorku. Pred naplnením kyvetu na vzorku trikrát vypláchnite vzorkou kyvetu na vzorku a veko. Pridajte reagenty podľa pracovného postupu.
8. Zatvorte kyvetu na vzorku a vyčistite optické plochy kyvetu utierkou, ktorá nezanecháva chĺpky.
9. Vložte vzorku do držiaka kyvetu. Uistite sa, že ste kyvetu na vzorku nainštalovali v správnej a zhodnej orientácii, dosiahnete tak presnejšie výsledky s vyššou opakovateľnosťou. Pozri [Obrázok 125](#).
10. Nasadte veko prístroja na držiak kyvetu. Pozri [Obrázok 126](#).
11. Stlačte tlačidlo ✓. Na displeji sa zobrazia výsledky v jednotkách koncentrácie alebo absorbancie.
***Poznámka:** Výsledok bliká, ak je nižší alebo vyšší ako rozsah prístroja.*
12. Vyberte pripravenú vzorku z držiaka kyvetu.
13. Okamžite vyprázdňte a vypláchnite kyvetu na vzorku. Vypláchnite kyvetu na vzorku a veko trikrát deionizovanou vodou.

Obrázok 125 Orientácia kyvety na vzorku

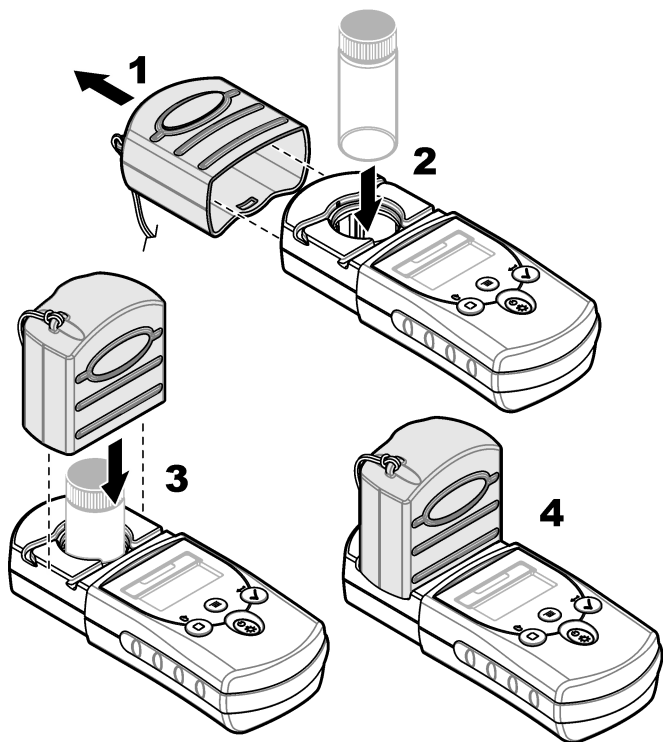


1 Orientačná značka

2 Kyveta na vzorku,
25 mm (10 ml)

3 Kyveta na vzorku,
1 cm (10 ml)

Obrázok 126 Nasadenie veka prístroja na držiak kvety



Zobrazenie zaznamenaných meraní

Pozrite si možnosť „rCL“ v časti [Konfigurácia prístroja](#) na strane 312.

Údržba

▲ UPOZORNENIE



Viacnásobné nebezpečenstvo. Úkony popísané v tejto časti návodu smú vykonávať iba kvalifikovaní pracovníci.

POZNAMKA

Nerозoberajte merací prístroj na účely údržby. Ak je potrebné opraviť alebo vyčistiť vnútorné komponenty, obráťte sa na výrobcu.

Čistenie prístroja

Vonkajší povrch prístroja čistite pomocou utierky navlhčenej v roztoku jemného saponátu a potom prístroj utrite dosucha.

Čistenie kyviet na vzorky

▲ UPOZORNENIE



Nebezpečenstvo vystavenia chemikáliám. Dodržiavajte laboratórne bezpečnostné postupy a používajte všetky osobné ochranné pomôcky zodpovedajúce chemikáliám, s ktorými pracujete.



Bezpečnostné protokoly nájdete v aktuálnych kartách bezpečnostných údajov (MSDS/SDS).

▲ UPOZORNENIE



Nebezpečenstvo vystavenia chemikáliám. Likvidácia chemikálií a odpadu podľa miestnej, regionálnej a národnej legislatívy.

Väčšina laboratórných detergentov sa používa pri odporúčaných koncentráciách. Neutrálne detergenty, ako Liquinox, sú bezpečnejšie, pokiaľ sa vyžaduje pravidelné čistenie. S cieľom znížiť doby čistenia zvýšte teplotu alebo použite ultrazvukový kúpeľ. Na dokončenie čistenia opláchnite niekoľkokrát deionizovanou vodou a potom nechajte kyvetu na vzorky uschnúť na vzduchu.

Kyvety na vzorky sa môžu čistiť aj pomocou kyseliny, potom ich treba dôkladne opláchnuť deionizovanou vodou.


Poznámka: Kyselinu používajte vždy na čistenie kyviet na vzorky, ktoré boli použité pri analýzach kovov v nízkych koncentráciách.

Pri jednotlivých postupoch je nevyhnutné používať špeciálne metódy čistenia. Ak pri čistení kyviet na vzorky použijete kefku, dávajte veľký pozor, aby ste nepoškriabali vnútorné povrchy kyviet na vzorky.

Výmena batérií

Keď je úroveň nabitia batérií nízka, vymeňte ich. Pozri [Vloženie batérií](#) na strane 309.

Riešenie problémov

Chyba	Popis	Riešenie
E-0	Prístroj nie je vynulovaný	V režime kalibrácie používateľom sa pred vynulovaním prístroja vykonalo meranie štandardného roztoku. Zmeraním roztoku blanku vynulujte prístroj.
E-1	Chyba spôsobená okolitým svetlom ¹	V držiaku kyvety je prítomné okolité svetlo. Uistite sa, že je veko prístroja úplne nasadené na držiaku kyvety.
E-2	Chyba diódy LED ¹	Dióda LED (zdroj svetla) nemá zodpovedajúce parametre. Vymeňte batérie. Uistite sa, že sa dióda LED v držiaku kyvety rozsvieti pri stlačení tlačidla ✓ alebo  .
E-3	Chyba štandardného nastavenia	<ul style="list-style-type: none"> Nameraná hodnota štandardného roztoku prekračuje limity nastavenia. Pripravte nový štandardný roztok. Štandardný roztok nie je v rámci rozsahu koncentrácie, ktorý možno použiť na štandardné nastavenie kalibrácie. Pripravte štandardný roztok s hodnotou, ktorá zodpovedá alebo sa približuje odporúčaným koncentráciám uvedeným v postupe. Uistite sa, že je správne zadaná koncentrácia štandardného roztoku.
E-6	Chyba absorbancie	Hodnota absorbancie nie je správna alebo používateľom stanovená kalibračná krivka má menej ako dva body. Zadaťte alebo zmerajte hodnotu absorbancie znova.

Chyba	Popis	Riešenie
E-7	Chyba štandardnej hodnoty	Koncentrácia štandardného roztoku sa rovná inej koncentrácii štandardného roztoku, ktorá je už zadaná v používateľom stanovenej kalibračnej krivke. Zadať správnu štandardnú koncentráciu.
E-9	Chyba pamäte flash	Prístroj nemôže uložiť údaje.
Údaj bliká	Údaj je vyšší alebo nižší ako rozsah prístroja. ²	Ak je údaj nižší ako rozsah prístroja, uistite sa, že je veko prístroja úplne nasadené na držiaku kvety. Zmerajte blank. Ak hodnota blanku nie je nulová, znova vynulujte prístroj.
		Ak je údaj vyšší ako rozsah prístroja, overte, či dochádza k blokovaniu svetla v držiaku kvety. Zriedte vzorku. Vykonajte test znova.
		Pri programoch kalibrovaných pri výrobe sa maximálne a minimálne hodnoty vždy rovnajú hodnotám kalibrovaným pri výrobe a nemožno ich zmeniť.

- Keď sa pri meraní vyskytne chyba E-1 alebo E-2, na displeji sa zobrazí „_._.“. Desatinné miesto závisí od chemických vlastností. Ak sa počas nulovania prístroja vyskytne chyba E-1 alebo E-2, prístroj vynulujte znova.
- Blikajúca hodnota bude 10 % nad horným limitom testovacieho rozsahu.

Náhradné diely

⚠ VAROVANIE



Nebezpečenstvo poranenia osôb. Používanie neschválených častí môže spôsobiť poranenie osôb, poškodenie prístroja alebo poruchy zariadenia. Náhradné diely uvedené v tejto časti sú schválené výrobcom.

Poznámka: Čísla produktov a položiek sa môžu odlišovať v niektorých predajných oblastiach. Pre kontaktné informácie sa obráťte na príslušného distribútora alebo si pozrite webovú stránku spoločnosti.

Náhradné diely

Popis	Množstvo	Kód položky
Batérie typu AAA, alkalické	4/pkg	4674300
Šnúra veka	1	5955900
Veko prístroja	1	5954800
Kyveta na vzorku, 25 mm (10 ml), s vekami	6/pkg	2427606
Kyveta na vzorku, 1 cm (10 ml), s vekami	2/pkg	4864302

Kazalo vsebine

[Specifikacije](#) na strani 321

[Splošni podatki](#) na strani 322

[Zagon](#) na strani 325

[Uporabniški vmesnik in pomikanje](#)
na strani 327

[Delovanje](#) na strani 329

[Vzdrževanje](#) na strani 334

[Odpravljanje težav](#) na strani 335

[Nadomestni deli](#) na strani 336

Dodatne informacije

Dodatne informacije so vam na voljo na spletnem mestu proizvajalca.

Specifikacije

Pridržana pravica do spremembe tehničnih podatkov brez predhodnega obvestila.

Tehnični podatki	Podrobnosti
Mere (Š x G x V)	6,1 × 3,2 × 15,2 cm (2,4 × 1,25 × 6 in)
Ohišje	IP67, vodotesno do globine 1 m (3,3 ft) za 30 minut (vložišče baterij ni vključeno) Zaščitite pred neposredno sončno svetlobo.
Vir svetlobe	Svetlobna dioda (LED)
Detektor	Silikonska fotodioda
Zaslon	LCD z osvetlitvijo ozadja
Teža	0,2 kg (0,43 lb)
Stopnja onesnaževanja	2
Namestitvena kategorija	I
Razred zaščite	3
Napajanje	4 baterije AAA, ki zadostujejo za približno 2000 preizkusov (manj, če se uporablja osvetlitev iz ozadja) Akumulatorskih baterij ne priporočamo.
Delovno okolje	Od 0 do 50 °C (32 do 122 °F), od 0 do 90-odstotna relativna vlažnost brez kondenzacije.
Temperatura shranjevanja	od -20 do 55 °C (od -7.6 do 131 °F)

Tehnični podatki	Podrobnosti
Fotometrična natančnost	$\pm 0,0015$ Abs
Valovna dolžina	Fiksna valovna dolžina ± 2 nm; odvisno od modela
Pasovna širina filtra	15 nm
Območje absorbance	Od 0 do 2,5 Abs
Dolžina poti pri kiveti za vzorec	1 cm (5–10 mL), 25 mm (10 mL)
Shranjevanje podatkov	Zadnjih 10 meritev
Certifikati	Oznaka CE
Garancija	2 leti

Splošni podatki

V nobenem primeru proizvajalec ne prevzema odgovornosti za neposredno, posredno, posebno, nezgodno ali posledično škodo, nastalo zaradi kakršnekoli napake ali izpusta v teh navodilih. Proizvajalec si pridržuje pravico do sprememb v navodilih in izdelku, ki ga opisuje, brez vnaprejšnjega obvestila. Prenovljene različice najdete na proizvajalčevi spletni strani.

Varnostni napotki

O P O M B A

Proizvajalec ne odgovarja za škodo, ki bi nastala kot posledica napačne aplikacije ali uporabe tega izdelka, kar med drugim zajema neposredno, naključno in posledično škodo, in zavrača odgovornost za vso škodo v največji meri, dovoljeni z zadevno zakonodajo. Uporabnik je v celoti odgovoren za prepoznavo tveganj, ki jih predstavljajo kritične aplikacije, in namestitvev ustreznih mehanizmov za zaščito procesov med potencialno okvaro opreme.

Še pred razpakiranjem, zagonom ali delovanjem te naprave v celoti preberite priložena navodila. Še posebej upoštevajte vse napotke o nevarnostih in varnostne napotke. V nasprotnem primeru obstaja nevarnost hudih poškodb uporabnika oz. škode na opremi.

Zaščita te opreme mora biti brezhlebna. Uporabljajte in nameščajte jo izključno tako, kot je navedeno v tem priročniku.

Uporaba varnostnih informacij

⚠ NEVARNOST

Označuje možno ali neposredno nevarno situacijo, ki lahko povzroči smrt ali hude poškodbe.

⚠ OPOZORILO

Označuje možno ali neposredno nevarno situacijo, ki lahko privede do hude poškodbe ali povzroči smrt, če se ji ne izognete.

⚠ PREVIDNO



Označuje možno nevarno situacijo, ki lahko povzroči manjše ali srednje težke poškodbe.

OPOMBA

Označuje situacijo, ki lahko, če se ji ne izognete, povzroči poškodbe instrumenta. Podatki, ki jih je potrebno posebej upoštevati.

Opozorilne oznake

Upoštevajte vse oznake in tablice, ki so nahajajo na napravi. Neupoštevanje tega lahko privede do telesnih poškodb ali poškodb naprave. Simbol na merilni napravi se nanaša na navodila s

	Če je na napravi ta simbol, preberite podrobnosti o njem v navodilih za uporabo in/ali v razdelku za informacije o varnosti.
	Električne opreme, označene s tem simbolom, v EU ni dovoljeno odlagati v domačih ali javnih sistemih za odstranjevanje odpadkov. Staro ali izrabljeno opremo vrnite proizvajalcu, ki jo mora odstraniti brez stroškov za uporabnika.

Certifikacija

Pravilnik za opremo, ki povzroča motnje (Kanada), IECS-003, razred A:

Zapiske o preskusih ima proizvajalec.

Ta digitalna naprava razreda A izpolnjuje vse zahteve pravilnika za opremo, ki povzroča motnje in velja za Kanado.

Cet appareil numérique de classe A répond à toutes les exigences de la réglementation canadienne sur les équipements provoquant des interférences.

FCC del 15, omejitve razreda "A"

Zapiske o preskusih ima proizvajalec. Ta naprava je skladna s 15. delom pravil FCC. Delovanje mora ustrezati naslednjima pogojema:

1. Oprema lahko povzroči škodljive motnje.
2. Oprema mora sprejeti katerokoli sprejeto motnjo, vključno z motnjo, ki jo lahko povzroči neželena delovanje.

Spremembe ali prilagoditve opreme, ki jih izrecno ne odobri oseba, odgovorna za zagotavljanje skladnosti, lahko razveljavijo uporabnikovo pravico do uporabe te naprave. Naprava je bila preizkušena in je skladna z omejitvami za digitalne naprave razreda A glede na 15. del pravil FCC. Te omejitve omogočajo zaščito pred škodljivim sevanjem, ko se naprava uporablja v komercialnem okolju. Ta oprema ustvarja, uporablja in lahko oddaja radiofrekvenčno energijo. Če ni nameščena ali uporabljena v skladu s priročnikom z navodili, lahko povzroča škodljive motnje pri radijski komunikaciji. Uporaba te opreme v bivalnem okolju verjetno povzroča škodljive motnje, zato mora uporabnik motnje na lastne stroške odpraviti. Za zmanjšanje težav z motnjami lahko uporabite naslednje tehnike:

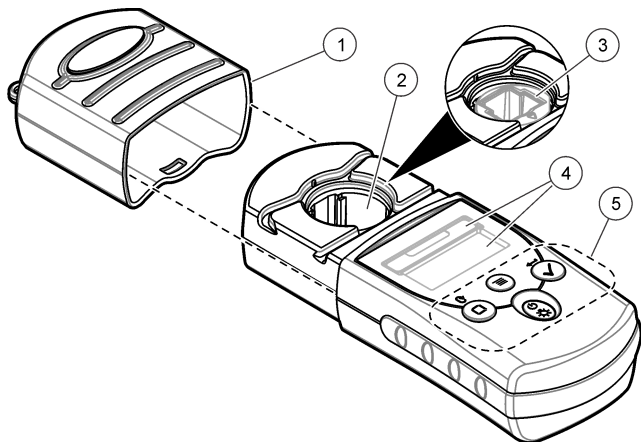
1. Opremo umaknite stran od opreme, ki dobiva motnje.
2. Prestavite anteno naprave, ki prejema motnje.
3. Poskusite s kombinacijo zgornjih možnosti.

Pregled izdelka

Instrument je prenosni fotometer s filtrom za testiranje vode. Glejte [Slika 127](#). Instrument je tovarniško konfiguriran za merjenje enega ali dveh vnaprej določenih parametrov. Instrument je tovarniško umerjen. Uporabniška konfiguracija ni potrebna.

Napotek: Instrument ni bil ocenjen za merjenje klora in kloramina na medicinskem področju v ZDA.

Slika 127 Pregled instrumenta



1 Pokrov instrumenta	3 Vložišče za kiveto z adapterjem za 1-centimetske kivete ¹	5 Tipkovnica
2 Vložišče za kiveto	4 Zaslón	

¹ Tovarniško nameščen pri nekaterih modelih

Zagon

Namestitev baterij

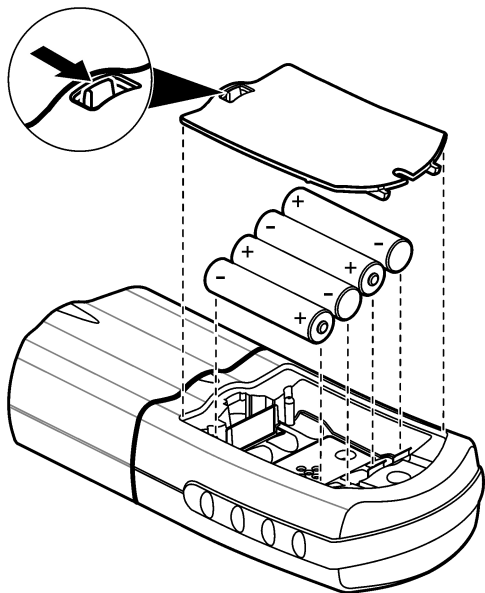
▲ OPOZORILO



Nevarnost eksplozije. Nepravilno vstavljanje baterij lahko povzroči sproščanje eksplozivnih plinov. Preverite, da ste vzeli baterije enake odobrene kemijske vrste ter da so pravilno vstavljene. Ne mešajte novih in uporabljenih baterij.

Baterije namestite, kot prikazuje [Slika 128](#).

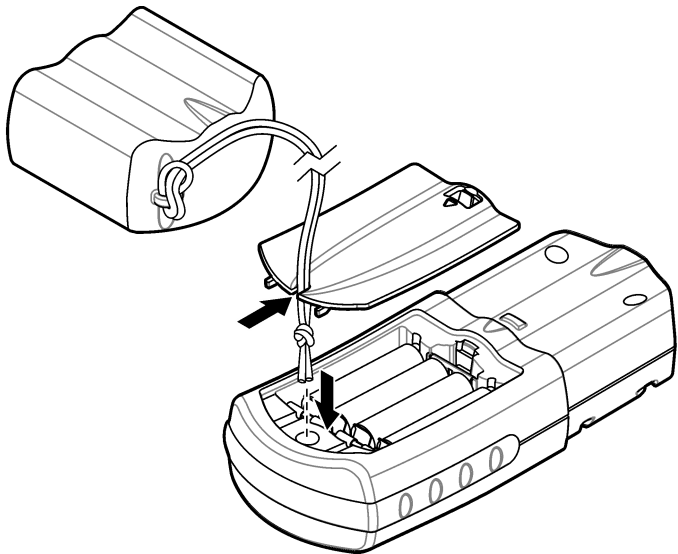
Slika 128 Namestitvev baterij



Namestitev vrvice za pokrov

Z namestitvijo vrvice za pokrov poskrbite, da pokrova instrumenta ne boste izgubili. Glejte [Slika 129](#).

Slika 129 Namestitev vrvice za pokrov

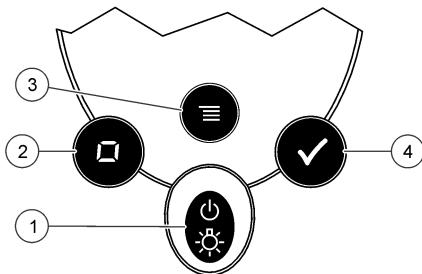


Uporabniški vmesnik in pomikanje

Opis tipkovnice

[Slika 130](#) prikazuje tipkovnico in navaja osnovne funkcije.

Slika 130 Tipkovnica



1 Tipka za vklop/osvetlitev ozadja: vklop in izklop instrumenta. Za vklop ali izklop osvetlitve ozadja pritisnite tipko in jo 1 sekundo pridržite.	3 Tipka za meni: preklop v način za prikaz menija in iz njega.
2 Tipka za nastavev na nič/pomikanje: ponastavitev instrumenta na nič, pomikanje po menijskih možnostih in številkah.	4 Tipka za branje/vnos: začetek merjenja vzorcev, izbira menijskih možnosti in pomik kazalca na naslednjo številko.

Opis zaslona

[Slika 131](#) prikazuje vrednosti in ikone, prikazane na zaslonu.

Slika 131 Zaslón



<p>1 Številski zaslon: izmerjena vrednost ali menijske možnosti.</p>	<p>4 Ikona menija: instrument je v načinu za prikaz menija.</p>
<p>2 Ikona območja: izbrano območje ali parameter.</p>	<p>5 Ikona za prilagojeno umerjanje: tovarniško privzeta umeritev je bila prilagojena ali pa je uporabnik vnesel lastno umeritveno krivuljo. Glejte razširjeni uporabniški priročnik na spletnem mestu proizvajalca.</p>
<p>3 Vrednost območja: območja ali parametri.</p>	<p>6 Ikona za skoraj prazno baterijo: 10-odstotna napolnjenost baterije. Ko je baterija prešibka, da bi bile meritve dokončane, začne ikona utripati.</p>

Delovanje

Konfiguracija instrumenta

1. Pritisnite tipko
2. Za pomikanje po menijskih možnostih pritisnite . Za izbiro možnosti pritisnite

Možnost Opis



SEL Nastavitev območja merjenja za parameter. Za preklap med različnimi območji za merjenje parametrov pritisnite .

Možnost Opis

- 00:00** Nastavitev časa v 24-urni obliki zapisa (hh:mm). Če želite spremeniti uro, pritisnite ✓. Za spremembo prve številke pritisnite □, nato pritisnite ✓, da se premaknete na naslednjo številko.
- rCL** Prikaz zadnjih 10 zabeleženih meritev. Za prikaz zabeleženih meritev pritisnite ✓ (01 – najnovejša meritev, 10 – najstarejša meritev). Za pomikanje med meritvami pritisnite ✓. Za izbiro meritve po številki pritisnite □, da izberete številko, in nato ✓. Za izhod iz te možnosti pritisnite ≡.
- SCA** Glejte razširjeni uporabniški priročnik na spletnem mestu proizvajalca.



3. Za vrnitev v način za merjenje pritisnite ≡.

Zagon preizkusa

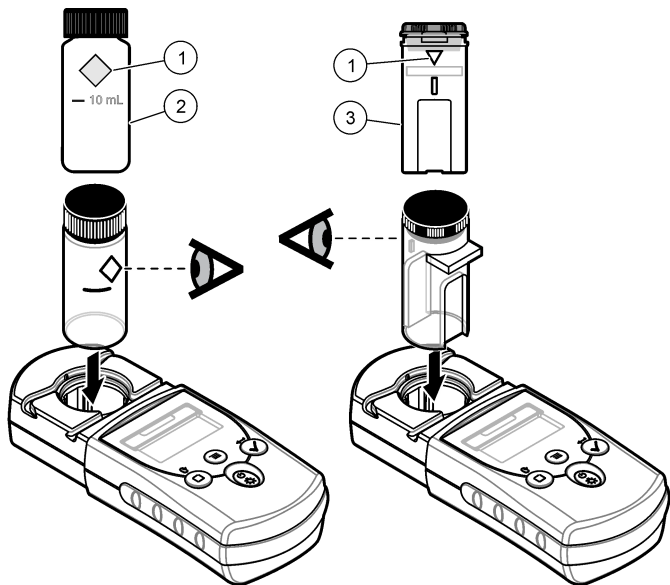
▲ OPOZORILO	
 	Nevarnost izpostavljenosti kemikalijam. Upoštevajte varnostne predpise v laboratoriju in nosite vso osebno zaščitno opremo, primerno za delo s kemikalijami, ki jih trenutno uporabljate. Za varnostne protokole glejte veljaven varnostni list (MSDS/SDS).

V nadaljevanju so predstavljeni osnovni koraki meritev za zagon preizkusa. Za izvedbo določenega preizkusa glejte ustrezno metodo.

1. Izberite ustrezno območje meritev ali parameter. Glejte [Konfiguracija instrumenta](#) na strani 329.
2. V skladu z dokumentom metode pripravite prazno kiveto. Izberite primerno velikost kivete za vzorce. Preden napolnite kiveto za vzorce, kiveto in pokrovček sperite s slepo raztopino.
3. Zaprite kiveto z vzorcem in optične strani kivete z vzorcem očistite s krpo, ki ne pušča nitk.
4. V vložišče za kiveto vstavite kiveto za slepi vzorec. Pazite, da bo kiveta za slepi vzorec vstavljena pravilno in ustrezno poravnana za večjo ponovljivost rezultatov in točnost. Glejte [Slika 132](#).
5. Vložišče za kiveto prekrijte s pokrovom instrumenta. Glejte [Slika 133](#).

6. Za ponastavitev instrumenta na nič pritisnite . Na zaslonu se izpiše "0.000" ali prej izbrana stopnja ločljivosti.
7. Pripravite vzorec. Preden napolnite kiveto za vzorec, kiveto in pokrov trikrat sperite. Dodajte reagente, tako kot je to specificirano v dokumentu metode.
8. Zaprite kiveto z vzorcem in optične površine celice očistite s krpo, ki ne pušča nitk..
9. Vzorec vstavite v vložišče za kiveto. Pazite, da bo kiveta za vzorec vstavljena pravilno in ustrezno poravnana za večjo ponovljivost rezultatov in točnost. Glejte [Slika 132](#).
10. Vložišče za kiveto prekrijte s pokrovom instrumenta. Glejte [Slika 133](#).
11. Pritisnite tipko . Na zaslonu so prikazani rezultati v enotah za koncentracijo ali absorbanco.
***Napotek:** Če je rezultat zunaj razpona instrumenta, izpis utripa.*
12. Pripravljeni vzorec vzemite iz vložišča za kiveto.
13. Kiveto za vzorec takoj izpraznite in sperite. Kiveto za vzorec in pokrov trikrat sperite z deionizirano vodo.

Slika 132 Usmeritev kivet z vzorcem

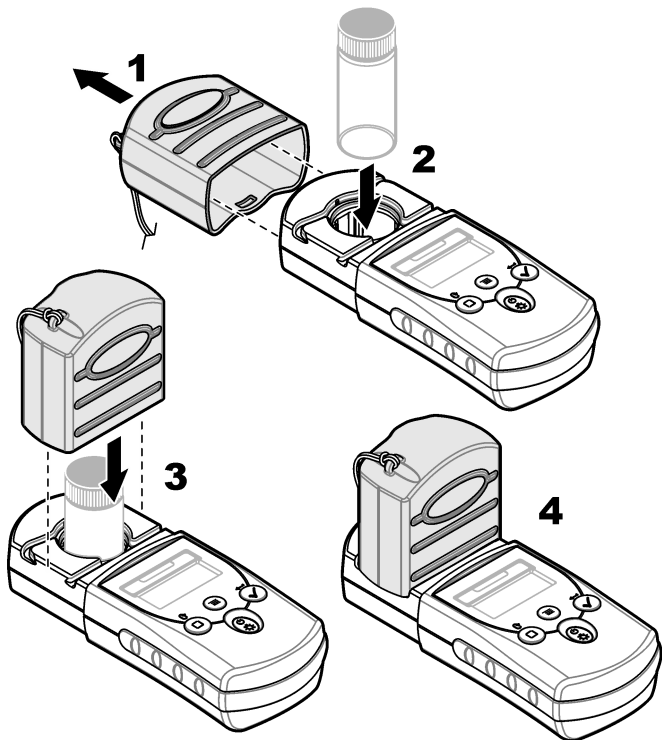


1 Oznaka za usmeritev

2 Kiveta za vzorec,
25 mm (10 mL)

3 Kiveta za vzorec,
1 cm (10 mL)

Slika 133 Vložišče za kiveto prekrijte s pokrovom instrumenta.



Prikaz zabeleženih meritev

Glejte možnost "rCL" v poglavju [Konfiguracija instrumenta](#) na strani 329.

Vzdrževanje

▲ PREVIDNO



Različne nevarnosti Opravila, opisana v tem delu dokumenta, lahko izvajata samo usposobljeno osebe.

OPOMBA

Ne razstavljajte inštrumenta zaradi vzdrževanja. V kolikor je potrebno čiščenja ali zamenjava notranjih delov kontaktirajte proizvajalca.

Čiščenje instrumenta

Zunanost instrumenta očistite z vlažno krpo in blago milnico, nato instrument do suhega obrišite.

Očistite kivete z vzorci

▲ PREVIDNO



Nevarnost izpostavljenosti kemikalijam. Upoštevajte varnostne predpise v laboratoriju in nosite vso osebno zaščitno opremo, primerno za delo s kemikalijami, ki jih trenutno uporabljate. Za varnostne protokole glejte veljaven varnostni list (MSDS/SDS).



▲ PREVIDNO



Nevarnost izpostavljenosti kemikalijam. Kemikalije in odpadke zavržite v skladu z lokalnimi, regionalnimi in nacionalnimi predpisi.

Večina laboratorijskih detergentov se uporablja v priporočenih koncentracijah. Če je potrebno redno čiščenje, je varnejša uporaba nevtralnih detergentov, kot je Liquinox. Za skrajšanje časa čiščenja povečajte temperaturo ali uporabite ultrazvočno kopal. Čiščenje zaključite tako, da nekajkrat splaknete z deionizirano vodo in počakate, da se kiveta za vzorce posuši na zraku.

Kivete za vzorce lahko očistite tudi s kislino, ki jo nato temeljito splaknete z deionizirano vodo.


Napotek: Za čiščenje kivet, ki so bile uporabljene pri testih za nizko koncentracijo kovin, vedno uporabite kislino.

Pri posameznih postopkih so potrebne posebne metode čiščenja. Kadar kivete za vzorce čistite s ščetkanjem, bodite še zlasti previdni, da ne opraskate notranjih površin kivet.

Zamenjava baterij

Ko je napolnjenost šibka, zamenjajte baterije. Glejte [Namestitev baterij](#) na strani 325.

Odpravljanje težav

Napaka	Opis	Rešitev
E-0	Ni ničelne vrednosti	V načinu z uporabniško umeritvijo je bila izmerjena standardna raztopina, preden je bila nastavljena ničelna vrednost instrumenta. Izmerite slepo raztopino, da ponastavite instrument na ničelno vrednost.
E-1	Napaka zaradi svetlobe v okolici ¹	V vložišče za kiveto vstopa svetloba iz okolice. Pokrov instrumenta mora popolnoma prekriti vložišče za kiveto.
E-2	Napaka pri diodi LED ¹	LED (vir svetlobe) ne ustreza predpisom. Zamenjava baterij. Preverite, ali dioda LED v vložišču za kiveto zasveti, ko pritisnete ✓ ali  .
E-3	Napaka prilagoditve standarda	<ul style="list-style-type: none"> Izmerjena vrednost standardne raztopine presega mejo za prilagoditev. Pripravite nov standard. Koncentracija standardne raztopine je zunaj območja, ki se lahko uporablja za prilagajanje umeritve za standard. Pripravite standard s koncentracijo, ki bo enaka ali blizu priporočene vrednosti, navedene v postopku. Pazite, da bo koncentracija standardne raztopine pravilno vnesena.
E-6	Napaka pri absorbanci	Vrednost absorbance ni pravilna ali pa ima uporabniško vnesena umeritvena krivulja manj kot dve točki. Ponovno vnesite ali izmerite vrednost absorbance.

Napaka	Opis	Rešitev
E-7	Napaka pri vrednosti standarda	Koncentracija standardne raztopine je enaka koncentraciji druge standardne raztopine, ki je že vnesena v uporabniško vneseni umeritveni krivulji. Vnesite pravilno standardno koncentracijo.
E-9	Napaka bliskovnega pomnilnika	Shranjevanje podatkov v instrumentu ni mogoče.
Branje bliskov	Odčitek presega območje instrumenta ali pa ga ne dosega. ²	Če odčitek ne dosega območja instrumenta, se prepričajte, ali pokrov instrumenta popolnoma prekriva vložišče za kiveto. Izmerite slepo raztopino. Če odčitek za slepo raztopino ni nič, instrument znova nastavite na ničelno vrednost.
		Če odčitek presega območje instrumenta, preverite, ali je v vložišču za kiveto ovira, ki zastira svetlobo. Razredčite vzorec. Ponovite preizkus.
		Pri tovarniško umerjenih programih sta najvišja in najnižja vrednost vedno enaki tovarniško umerjenim vrednostim in ju ni mogoče spreminjati.

- ¹ Če pri meritvi pride do napake E-1 ali E-2, se na zaslonu prikaže " _ . _ ". Decimalno mesto je odvisno od lastnosti kemikalije. Če se napaka E-1 ali E-2 pojavi, ko je instrument nastavljen na ničlo, je treba nastavitvev na ničelno vrednost ponoviti.
- ² Bliskovna vrednost bo za 10 % presegala zgornjo preizkusno mejo.

Nadomestni deli

▲ OPOZORILO



Nevarnost telesnih poškodb. Z uporabo neodobrenih delov tvegate telesne poškodbe, materialno škodo na instrumentih ali okvaro opreme. Nadomestne dele v tem razdelku je odobril proizvajalec.

Napotek: Za nekatere prodajne regije se lahko številka izdelka in artikla razlikuje. Za kontaktne informacije stopite v stik z ustreznim prodajalcem ali pa jih poiščite na spletni strani podjetja.

Nadomestni deli

Opis	Količina	Št. elementa
Baterije AAA, alkalne	4/pak	4674300
Vrvica za pokrov	1	5955900
Pokrov instrumenta	1	5954800
Kiveta za vzorce, 25 mm (10 mL) s pokrovčki	6/pak	2427606
Kiveta za vzorce, 1 cm (10 mL) s pokrovčki	2/pak	4864302

Sadržaj

[Specifikacije](#) na stranici 338

[stranica 339](#)

[Pokretanje](#) na stranici 342

[Korisničko sučelje i navigacija](#)
na stranici 344

[Funkcioniranje](#) na stranici 346

[Održavanje](#) na stranici 351

[Rješavanje problema](#) na stranici 352

[Zamjenski dijelovi](#) na stranici 353

Dodatne informacije

Dodatne informacije dostupne su na web-mjestu proizvođača.

Specifikacije

Specifikacije se mogu promijeniti bez prethodne najave.

Specifikacije	Pojedinosti
Dimenzije (Š x D x V)	6.1 x 3.2 x 15.2 cm (2.4 x 1.25 x 6 inča)
Kućište	IP67, vodootporno na 1 m (3,3 ft) tijekom 30 minuta (odjeljak za bateriju nije uključen). Držite dalje od izravnog sunčevog svjetla.
Izvor svjetlosti	Dioda koja emitira svjetlo (LED)
Detektor	Silikonska fotodioda
Zaslon	LCD s pozadinskim osvjetljenjem
Težina	0.2 kg (0.43 lb)
Razina zagađenja	2
Kategorija instalacije	I
Klasa zaštite	3
Potrošnja struje	4 AAA baterije; približan vijek trajanja 2000 testova (uporaba pozadinskog svjetla smanjuje taj broj) Punjive baterije se ne preporučuju.
Radno okružje	0 do 50 °C (32 do 122 °F), 0 do 90% relativne vlažnosti, bez kondenzacije
Temperatura za pohranu	-20 do 55 °C (-7.6 do 131 °F)

Specifikacije	Pojedinosti
Fotometrička preciznost	$\pm 0.0015\%$ Abs
Valna duljina	Fiksna valna duljina ± 2 nm, različita je za svaki model
Propusnost filtra	15 nm
Raspon apsorpcije	0 do 2,5 Abs
Dužina puta kivete za uzorak	1 cm (5–10 ml), 25 mm (10 ml)
Pohrana podataka	Zadnjih 10 mjerenja
Certifikati	CE oznaka
Jamstvo	2 godine

Sigurnosne informacije

OBAVIJEST

Proizvođač nije odgovoran za štetu zbog nepravilne primjene ili nepravilne uporabe ovog proizvoda uključujući, bez ograničenja, izravnu, slučajnu i posljedičnu štetu i odriče se odgovornosti za takvu štetu u punom opsegu dopuštenom prema primjenjivom zakonu. Korisnik ima isključivu odgovornost za utvrđivanje kritičnih rizika primjene i za postavljanje odgovarajućih mehanizama za zaštitu postupaka tijekom mogućeg kvara opreme.

Prije raspakiranja, postavljanja ili korištenja opreme pročitajte cijeli ovaj korisnički priručnik. Poštujte sva upozorenja na opasnost i oprez. Nepoštivanje ove upute može dovesti do tjelesnih ozljeda operatera ili oštećenja na opremi.

Uvjerite se da zaštita koja se nalazi uz ovu opremu nije oštećena. Ne koristite i ne instalirajte ovu opremu na bilo koji način koji nije naveden u ovom priručniku.

Korištenje informacija opasnosti

▲ OPASNOST

Označava potencijalno ili neposredno opasnu situaciju koja će, ako se ne izbjegne, dovesti do smrti ili ozbiljnih ozljeda.

▲ UPOZORENJE

Označava potencijalno ili neposredno opasnu situaciju koja će, ako se ne izbjegne, dovesti do smrti ili ozbiljnih ozljeda.

▲ OPREZ



Označava potencijalno opasnu situaciju koja će dovesti do manjih ili umjerenih ozljeda.

OBAVIJEST

Označava situaciju koja, ako se ne izbjegne će dovesti do oštećenja instrumenta. Informacije koje je potrebno posebno istaknuti.

Oznake mjera predostrožnosti

Pročitajte sve naljepnice i oznake na instrumentu. Ako se ne poštuju, može doći do tjelesnih ozljeda ili oštećenja instrumenta. Simbol na instrumentu odgovara simbolu u priručniku uz navod o mjerama predostrožnosti.

	Ovaj simbol, ako se nalazi na instrumentu, daje korisnički priručnik kao referencu za informacije o radu i/ili zaštiti.
	Električna oprema označena ovim simbolom ne smije se odlagati u europskim domaćim ili javnim odlagalištima. Staru ili isteklu opremu vratite proizvođaču koji će je odložiti bez naknade.

Certifikati

Kanadska odredba o opremi koja uzrokuje smetnje, IECS-003, klasa A:

Izvjешća s testiranja nalaze se kod proizvođača.

Ovo digitalno pomagalo klase A udovoljava svim zahtjevima Kanadskog zakona o opremi koja uzrokuje smetnje.

Cet appareil numérique de classe A répond à toutes les exigences de la réglementation canadienne sur les équipements provoquant des interférences.

FCC dio 15, ograničenja klase "A"

Izvrješća s testiranja nalaze se kod proizvođača. Uređaj je sukladan s dijelom 15 FCC pravila. Rad uređaja mora ispunjavati sljedeće uvjete:

1. oprema ne smije uzrokovati štetne smetnje.
2. Oprema mora prihvatiti svaku primljenu smetnju, uključujući smetnju koja može uzrokovati neželjen rad.

Zbog promjena ili prilagodbi ovog uređaja koje nije odobrila stranka nadležna za sukladnost korisnik bi mogao izgubiti pravo korištenja opreme. Ova je oprema testirana i u sukladnosti je s ograničenjima za digitalne uređaje klase A, koja su u skladu s dijelom 15 FCC pravila. Ta ograničenja su osmišljena da bi se zajamčila razmjerna zaštita od štetnih smetnji kada se oprema koristi u poslovnom okruženju. Ova oprema proizvodi, koristi i odašilje energiju radio frekvencije, te može prouzročiti smetnje u radio komunikaciji ako se ne instalira i koristi prema korisničkom priručniku. Koristite li ovu opremu u naseljenim područjima ona može prouzročiti smetnje, a korisnik će sam snositi odgovornost uklanjanja smetnji o vlastitom trošku. Sljedeće tehnike mogu se koristiti kao bi se smanjili problemi uzrokovani smetnjama:

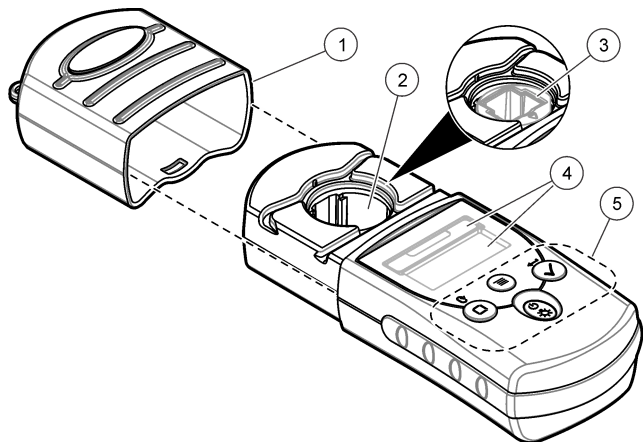
1. Odmaknite opremu od uređaja kod kojeg se javljaju smetnje.
2. Promijenite položaj antene uređaja kod kojeg se javljaju smetnje.
3. Isprobajte kombinacije gore navedenih rješenja.

Pregled proizvoda

Ovaj je uređaj prijenosni fotometar s filtrom za testiranje vode. Pogledajte [Slika 134](#). Uređaj je konfiguriran u tvornici za mjerenje jednog ili dva specifična parametra. Uređaj je kalibriran u tvornici. Korisnik ne treba vršiti kalibraciju.

Napomena: *Ovaj uređaj nije procijenjen za mjerenje klora i kloramina u medicinskim primjenama u Sjedinjenim Državama.*

Slika 134 Pregled instrumenta



1 Poklopac instrumenta	3 Držač kivete s adapterom za kivetu od 1 cm. ¹	5 Tipkovnica
2 Držač kivete	4 Zaslون	

¹ Tvornički ugrađeno u nekim modelima

Pokretanje

Umetanje baterija

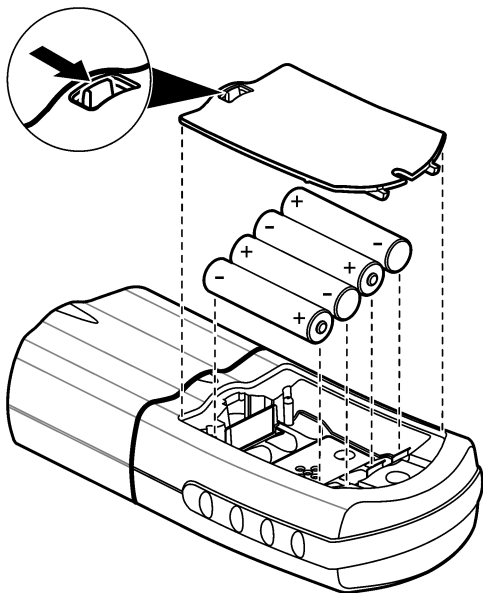
▲ UPOZORENJE



Opasnost od eksplozije. Neodgovarajućim postavljanjem baterija može doći do ispuštanja eksplozivnih plinova. Provjerite jesu li baterije iste odobrene kemijske vrste i jesu li ispravno okrenute. Nemojte kombinirati nove i stare baterije.

Baterije umetnite kako prikazuje [Slika 135](#)

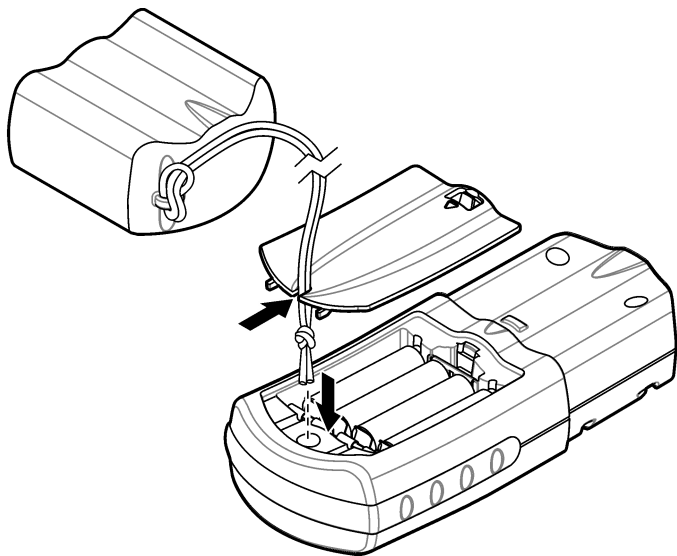
Slika 135 Umetanje baterija



Postavljanje trake poklopca

Traku poklopca pričvrstite kako ne biste izgubili poklopac uređaja.
Pogledajte [Slika 136](#).

Slika 136 Postavljanje trake poklopca

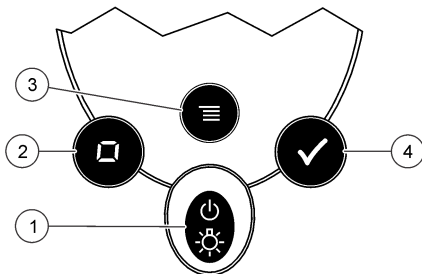


Korisničko sučelje i navigacija

Opis tipkovnice

[Slika 137](#) prikazuje tipkovnicu i daje funkcije tipki.

Slika 137 Tipkovnica



1 Tipka napajanja / pozadinskog osvjetljenja: uključivanje i isključivanje napajanja. Pritisnite i držite 1 sekundu za uključivanje ili isključivanje pozadinskog svjetla.	3 Tipka izbornika: ulazak i izlazak iz izbornika.
2 Tipka nula/listanje: postavljanje uređaja na nulu, listanje po opcijama izbornika i brojevima	4 Tipka za čitanje/unos: pokretanje mjerenja uzorka, odabir opcije izbornika, pomicanje pokazivača na sljedeći broj

Opis zaslona

Slika 138 prikazuje vrijednosti i ikone prikazane na zaslonu.


Slika 138 Zaslom






<p>1 Numerički zaslon: izmjerena vrijednost ili opcije izbornika</p>	<p>4 Ikona izbornika: uređaj je u načinu izbornika.</p>
<p>2 Ikona raspona: odabrani raspon ili parametri</p>	<p>5 Ikona podešene kalibracije: podešena je tvornički zadana kalibracija ili je unesena korisnička kalibracija. Pogledajte prošireno izdanje korisničkog priručnika na web-stranici proizvođača.</p>
<p>3 Vrijednost raspona: raspon(i) ili parametri</p>	<p>6 Ikona prazne baterije: baterija je na 10%. Trepti kada je razina napunjenosti baterije preniska za dovršavanje mjerenja.</p>


Funkcioniranje

Konfiguriranje uređaja



1. Pritisnite ☰.
2. Pritisnite  za pregledavanje opcija izbornika. Pritisnite ✓ za odabir opcije.

Opcija	Opis
SEL (Odabir)	Postavljanje raspona mjerenja ili parametra. Pritisnite ✓ za odabir raspona mjerenja ili parametara.
00:00	Postavljanje vremena u formatu od 24 sata (hh:mm). Pritisnite ✓ za mijenjanje vremena. Pritisnite  za mijenjanje prve znamenke, zatim ✓ kako biste prešli na drugu znamenku.


Opcija	Opis
rCL	Prikazuje zadnjih 10 evidentiranih mjerenja. Pritisnite ✓ za prikaz evidentiranih mjerenja (01 – najnovije mjerenje, 10 – najstarije mjerenje). Pritisnite ✓ za pregledavanje mjerenja. Za odabir mjerenja prema broju, pritisnite  za odabir broja i zatim ✓. Pritisnite  za izlazak iz ove opcije.
SCA	Pogledajte prošireno izdanje korisničkog priručnika na web-stranici proizvođača.

3. Pritisnite  kako biste se vratili u način mjerenja.

Pokretanje testa

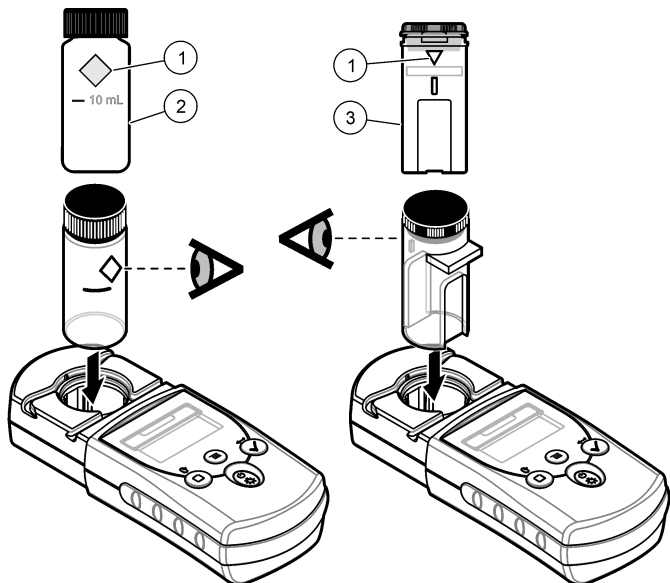
▲ UPOZORENJE	
 	<p>Opasnost od izlaganja kemikalijama. Poštujte laboratorijske sigurnosne propise i opremite se svom odgovarajućom osobnom zaštitnom opremom s obzirom na kemikalije kojima ćete rukovati. Sigurnosne protokole potražite na trenutno važećim sigurnosno tehničkim listovima materijala (MSDS/SDS).</p>

Slijede osnovni koraci mjerenja potrebni za pokretanje testa. Za pokretanje određenog testa pogledajte način za primjenu.

1. Odaberite primjenjivi raspon mjerenja ili parametar. Pogledajte [Konfiguriranje uređaja](#) na stranici 346.
2. Pripremite slijepu probu prema proceduri. Provjerite koristite li odgovarajuću veličinu kivete. Kivetu za uzorak i čep isperite praznim reagensom prije punjenja kivete za uzorak.
3. Zatvorite kivetu s uzorkom i obrišite optičko lice kivete s uzorkom s tkaninom bez dlačica.
4. Umetnite kivetu za uzorak s praznim reagensom u držač kiveta. Provjerite jeste li postavili kivetu za uzorak s praznim reagensom u točnom i konzistentnom smjeru tako da su rezultati ponovljivi i precizni. Pogledajte [Slika 139](#).
5. Poklopac uređaja postavite na držač kivete. Pogledajte [Slika 140](#).
6. Pritisnite  za postavljanje uređaja na nulu: Na zaslonu se prikazuje "0.000" ili stupanj prethodno odabrane razlučivosti.

7. Pripremite uzorak. Kivetu za uzorak i čep isperite uzorkom tri puta prije punjenja kivete za uzorak. Dodajte reagens kako je specificirano po dokumentaciji metode.
8. Zatvorite kivetu s uzorkom i obrišite optičke površine kivete s uzorkom s tkaninom bez dlačica..
9. Umetnite kivetu za uzorak u držač za kivetu. Provjerite jeste li postavili kivetu za uzorak u točnom i konzistentnom smjeru tako da su rezultati ponovljivi i precizni. Pogledajte [Slika 139](#).
10. Poklopac uređaja postavite na držač kivete. Pogledajte [Slika 140](#).
11. Pritisnite ✓. Na zaslonu se prikazuju rezultati u jedinicama koncentracije ili apsorpcija.
***Napomena:** Rezultat trepti ako je rezultat veći ili manji od raspona uređaja.*
12. Uklonite pripremljeni uzorak iz držača kivete.
13. Odmah ispraznite i isperite kivetu za uzorak. Kivetu za uzorak i poklopac isperite tri puta deioniziranom vodom.

Slika 139 Položaj kivete za uzorak

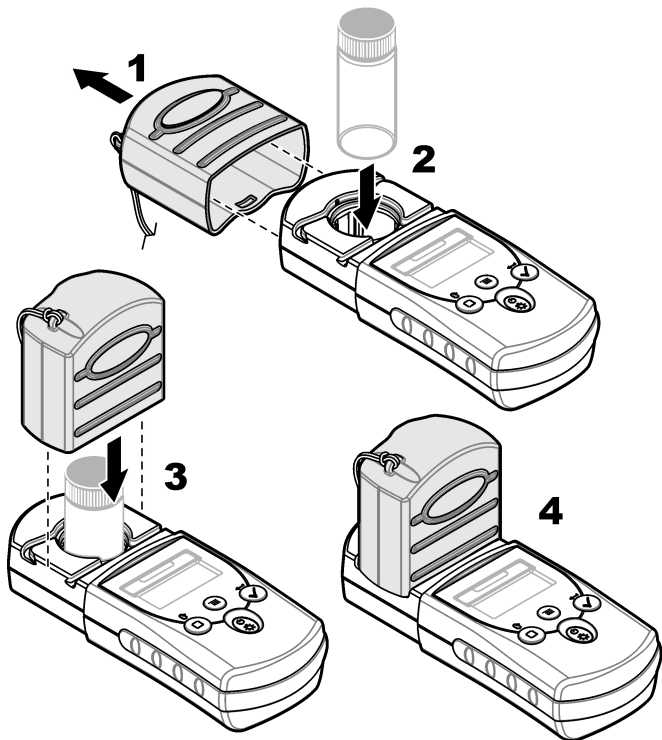


1 Orijentacijska oznaka

2 Kiveta za uzorak, 25-
mm (10 ml)

3 Kiveta za uzorak, 1-
cm (10 ml)

Slika 140 Poklopac uređaja postavite na držač kivete



Prikaz evidentiranih mjerenja

Pogledajte opciju "rCL" pod [Konfiguriranje uređaja](#) na stranici 346.

Održavanje

⚠ OPREZ



Višestruka opasnost. Zadatke opisane u ovom odjeljku priručnika treba obavljati isključivo kvalificirano osoblje.

OBAVIJEST

Ne rastavljajte instrument radi održavanja. U slučaju potrebe za čišćenjem ili popravkom internih dijelova, obratite se proizvođaču.

Obrišite kivete za uzorak

⚠ OPREZ



Opasnost od izlaganja kemikalijama. Poštujte laboratorijske sigurnosne propise i opremite se svom odgovarajućom osobnom zaštitnom opremom s obzirom na kemikalije kojima ćete rukovati. Sigurnosne protokole potražite na trenutno važećim sigurnosno tehničkim listovima materijala (MSDS/SDS).



⚠ OPREZ



Opasnost od izlaganja kemikalijama. Kemikalije i otpad odlažite sukladno lokalnim, regionalnim i državnim propisima.

Većina deterdženata u laboratoriju se koristi pri preporučenim koncentracijama. Neutralni deterdženti, poput Liquinixa, su sigurniji kad je potrebno redovno čišćenje. Za smanjenje vremena čišćenja, povećajte temperaturu ili koristite ultrazvučnu kupku. Za dovršetak čišćenja, isperite nekoliko puta deioniziranom vodom i ostavite da se kiveta za uzorke osuši.

Kivete za uzorke se mogu čistiti s kiselinom, koju treba temeljito isprati s destiliranom vodom.


Napomena: Uvijek koristite kiselinu za čišćenje kiveta za uzorke kada se koriste za testove s nikom razinom metala.

Za pojedinačne načine potrebne su posebne metode čišćenja. Kada se za čišćenje koristi četka, budite pažljivi kako biste izbjegli ogrebotine na unutarnjim površinama kiveta za uzorke.

Zamjena baterija

Baterije zamijenite kada su pri kraju. Pogledajte [Umetanje baterija](#) na stranici 342.

Rješavanje problema

Pogreška	Opis	Rješenje
E-0	Nema nule	U načinu korisničke kalibracije, standardna otopina izmjerena je prije postavljanja nule uređaja. Izmjerite otopinu za kalibraciju kako biste postavili uređaj na nulu.
E-1	Pogreška ambijentalnog svjetla ¹	U držaču kivete postoji ambijentalno svjetlo. Provjerite je li poklopac uređaja u potpunosti postavljen na držač kivete.
E-2	LED pogreška ¹	LED (izvor svjetlosti) je izvan nadzora. Zamjena baterija. Provjerite uključuje li se LED u držaču kivete kada pritisnete ✓ ili  .
E-3	Pogreška podešavanja standardne otopine	<ul style="list-style-type: none"> Izmjerena vrijednost standardne otopine veća je od podešenih ograničenja. Pripremite svježi standard. Standardna otopina ne nalazi se u rasponu koncentracije koji se može koristiti za podešavanje standardne kalibracije. Pripremite standard s vrijednošću na ili blizu preporučenih koncentracija danih u postupku. Pobrinite se da točno unesete koncentraciju standardne otopine.
E-6	Abs pogreška	Vrijednost apsorpcije nije točna ili korisnička krivulja kalibracije ima manje od dvije točke. Unesite ili ponovno izmjerite vrijednost apsorpcije.

Pogreška	Opis	Rješenje
E-7	Pogreška vrijednosti standarda	Koncentracija standardne otopine jednaka je drugoj koncentraciji standardne otopine koja je već unesena u korisničku krivulju kalibracije. Unesite točnu koncentraciju standarda.
E-9	Pogreška treptanja	Uređaj ne može spremati podatke.
Treptanje pri očitavanju	Očitavanje je veće ili manje od raspona uređaja. ²	Ako je očitavanje manje od raspona uređaja, provjerite je li poklopac uređaja u potpunosti postavljen preko držača kivete. Mjerenje praznog reagensa. Ako očitavanje praznog reagensa nije nula, ponovno postavite uređaj na nulu.
		Ako je očitavanje veće od raspona uređaja, utvrdite postoji li blokada svjetla u držaču kiveta. Razrijedite uzorak. Ponovite test.
		Za tvornički kalibrirane programe, maksimalne i minimalne prikazane vrijednosti uvijek su iste tvornički kalibriranim vrijednostima i ne mogu se mijenjati.

- ¹ Kad dođe do E-1 ili E-2 pogreške na mjernoj jedinici, zaslon prikazuje “_._.”. Decimalno mjesto ovisi o kemijskom elementu. Dođe li do pogreške E-1 ili E-2 dok je uređaj postavljen na nulu, uređaj ponovno postavite na nulu.
- ² Vrijednost koja trepti bit će 10% iznad gornje granice testa.

Zamjenski dijelovi

▲ UPOZORENJE



Opasnost od ozljede. Korištenje neodobrenih dijelova može uzrokovati osobne ozljede, oštećenje instrumenta ili neispravno funkcioniranje opreme. Proizvođač je odobrio upotrebu rezervnih dijelova navedenih u ovom odjeljku.

Napomena: Brojevi proizvoda i artikla mogu varirati za neke regije prodaje. Obratite se odgovarajućem distributeru ili pogledajte web stranicu tvrtke za kontaktne podatke.

Zamjenski dijelovi

Opis	Količina	Broj proizvoda
AAA baterije, alkalne	4/pkg	4674300
Traka poklopca	1	5955900
Poklopac instrumenta	1	5954800
Epruveta za uzorak, 25 mm (10 ml), s čepovima	6/pak	2427606
Epruveta za uzorak, 1 cm (10 ml), s čepovima	2/pkg	4864302

Πίνακας περιεχομένων

Προδιαγραφές στη σελίδα 355

Γενικές πληροφορίες στη σελίδα 356

Εκκίνηση στη σελίδα 360

Περιβάλλον και πλοήγηση χρήστη
στη σελίδα 362

Λειτουργία στη σελίδα 364

Συντήρηση στη σελίδα 369

Αντιμέτωπιση προβλημάτων
στη σελίδα 370

Ανταλλακτικά στη σελίδα 372

Πρόσθετες πληροφορίες

Περισσότερες πληροφορίες είναι διαθέσιμες στην ιστοσελίδα του κατασκευαστή.

Προδιαγραφές

Οι προδιαγραφές ενδέχεται να αλλάξουν χωρίς προειδοποίηση.

Προδιαγραφή	Λεπτομέρειες
Διαστάσεις (Π x Β x Υ)	6,1 x 3,2 x 15,2 cm (2,4 x 1,25 x 6 in.)
Περίβλημα	IP67, αδιάβροχο στο 1 m (3,3 ft) επί 30 λεπτά (δεν συμπεριλαμβάνεται η θήκη της μπαταρίας). Να φυλάσσεται μακριά από το άμεσο ηλιακό φως.
Πηγή φωτός	Δίοδος εκπομπής φωτός (LED)
Ανιχνευτής	Φωτοδίοδος σιλικόνης
Οθόνη	LCD με οπισθοφωτισμό
Βάρος	0,2 kg (0,43 lb)
Βαθμός ρύπανσης	2
Κατηγορία εγκατάστασης	1
Κατηγορία προστασίας	3
Απαιτήσεις ηλεκτρικής τροφοδοσίας	4 μπαταρίες AAA, με κατά προσέγγιση διάρκεια ζωής για 2000 ελέγχους (η χρήση του οπισθοφωτισμού μειώνει αυτόν τον αριθμό) Δεν συνιστάται η χρήση επαναφορτιζόμενων μπαταριών

Προδιαγραφή	Λεπτομέρειες
Περιβάλλον λειτουργίας	0 έως 50 °C (32 έως 122 °F), 0 έως 90% σχετική υγρασία χωρίς συμπύκνωση υδρατμών
Θερμοκρασία αποθήκευσης	-20 έως 55 °C (-7,6 έως 131 °F)
Φωτομετρική ακρίβεια	± 0,0015 Abs
Μήκος κύματος	Σταθερό μήκος κύματος ±2 nm, διαφορετικό για κάθε μοντέλο
Εύρος ζώνης φίλτρου	15 nm
Εύρος απορρόφησης	0 έως 2,5 Abs
Μήκος διαδρομής κυψελίδας δείγματος	1 cm (5–10 mL), 25 mm (10 mL)
Αποθήκευση δεδομένων	Τελευταίες 10 μετρήσεις
Πιστοποιήσεις	Σήμανση CE
Εγγύηση	2 έτη

Γενικές πληροφορίες

Σε καμία περίπτωση ο κατασκευαστής δεν είναι υπεύθυνος για άμεσες, έμμεσες, ειδικές, τυχαίες ή παρεπόμενες ζημιές που προκύπτουν από οποιοδήποτε ελάττωμα ή παράλειψη του παρόντος εγχειριδίου. Ο κατασκευαστής διατηρεί το δικαίωμα να πραγματοποιήσει αλλαγές στο παρόν εγχειρίδιο και στα προϊόντα που περιγράφει ανά στιγμή, χωρίς ειδοποίηση ή υποχρέωση. Αναθεωρημένες εκδόσεις διατίθενται από τον ιστοχώρο του κατασκευαστή.

Πληροφορίες σχετικά με την ασφάλεια

ΕΙΔΟΠΟΙΗΣΗ

Ο κατασκευαστής δεν φέρει ευθύνη για τυχόν ζημιές εξαιτίας της λανθασμένης εφαρμογής ή χρήσης του παρόντος προϊόντος, συμπεριλαμβανομένων, χωρίς περιορισμό, των άμεσων, συμπτωματικών και παρεπόμενων ζημιών, και αποποιείται τέτοιες ζημιές στη μέγιστη έκταση που επιτρέπει το εφαρμοστέο δίκαιο. Ο χρήστης είναι αποκλειστικά υπεύθυνος για την αναγνώριση των σημαντικών κινδύνων εφαρμογής και την εγκατάσταση των κατάλληλων μηχανισμών με στόχο την προστασία των διεργασιών κατά τη διάρκεια μιας πιθανής δυσλειτουργίας του εξοπλισμού.

Παρακαλούμε διαβάστε ολόκληρο αυτό το εγχειρίδιο προτού αποσυσκευάσετε, εγκαταστήσετε ή λειτουργήσετε αυτόν τον

εξοπλισμό. Προσέξτε όλες τις υποδείξεις κινδύνου και προσοχής. Η παράλειψη μπορεί να οδηγήσει σε σοβαρούς τραυματισμούς του χειριστή ή σε ζημιές της συσκευής.

Διασφαλίστε ότι δεν θα προκληθεί καμία βλάβη στις διατάξεις προστασίας αυτού του εξοπλισμού. Μην χρησιμοποιείτε και μην εγκαθιστάτε τον συγκεκριμένο εξοπλισμό με κανέναν άλλον τρόπο, εκτός από αυτούς που προσδιορίζονται στο παρόν εγχειρίδιο.

Χρήση των πληροφοριών προειδοποίησης κινδύνου

ΚΙΝΔΥΝΟΣ

Υποδεικνύει κάποια ενδεχόμενη ή επικείμενη επικίνδυνη κατάσταση, η οποία, εάν δεν αποτραπεί, θα οδηγήσει σε θάνατο ή σοβαρό τραυματισμό.

ΠΡΟΕΙΔΟΠΟΙΗΣΗ

Υποδεικνύει ενδεχόμενη ή επικείμενη επικίνδυνη κατάσταση, η οποία, αν δεν αποτραπεί, θα μπορούσε να προκαλέσει θάνατο ή σοβαρό τραυματισμό.

ΠΡΟΣΟΧΗ



Υποδεικνύει κάποια ενδεχόμενη επικίνδυνη κατάσταση, η οποία μπορεί να καταλήξει σε ελαφρό ή μέτριο τραυματισμό.

ΕΙΔΟΠΟΙΗΣΗ

Υποδεικνύει κατάσταση που, εάν δεν αποτραπεί, μπορεί να προκληθεί βλάβη στο όργανο. Πληροφορίες που απαιτούν ειδική έμφαση.

Ετικέτες προειδοποίησης

Διαβάστε όλες τις ετικέτες και τις πινακίδες που είναι επικολλημένες στο όργανο. Εάν δεν τηρήσετε τις οδηγίες τους, ενδέχεται να προκληθεί τραυματισμός ή ζημιά στο όργανο. Η ύπαρξη κάποιου συμβόλου επάνω στο όργανο παραπέμπει στο εγχειρίδιο με κάποια δήλωση προειδοποίησης.

	<p>Το σύμβολο αυτό, εάν υπάρχει επάνω στο όργανο, παραπέμπει σε πληροφορίες σχετικά με την ασφάλεια ή/και το χειρισμό, στο εγχειρίδιο λειτουργίας.</p>
	<p>Αν ο ηλεκτρικός εξοπλισμός φέρει το σύμβολο αυτό, δεν επιτρέπεται η απόρριψή του σε ευρωπαϊκά οικιακά και δημόσια συστήματα συλλογής απορριμμάτων. Μπορείτε να επιστρέψετε παλαιό εξοπλισμό ή εξοπλισμό του οποίου η ωφέλιμη διάρκεια ζωής έχει παρέλθει στον κατασκευαστή για απόρριψη, χωρίς χρέωση για το χρήστη.</p>

Πιστοποίηση

Καναδικός Κανονισμός Εξοπλισμού Πρόκλησης Παρεμβολών, IEC5-003, Κατηγορία Α:

Ο κατασκευαστής διαθέτει αρχεία υποστήριξης δοκιμών.

Η παρούσα ψηφιακή συσκευή Κατηγορίας Α ανταποκρίνεται σε όλες τις προδιαγραφές του Καναδικού Κανονισμού Εξοπλισμού Πρόκλησης Παρεμβολών (IECS).

Cet appareil numérique de classe A répond à toutes les exigences de la réglementation canadienne sur les équipements provoquant des interférences.

FCC Κεφάλαιο 15, Κατηγορία "Α" Όρια

Ο κατασκευαστής διαθέτει αρχεία υποστήριξης δοκιμών. Η συσκευή συμμορφώνεται με το Κεφ. 15 των Κανόνων της FCC. Η λειτουργία υπόκειται στις ακόλουθες προϋποθέσεις:

1. Ο εξοπλισμός μπορεί να μην προκαλέσει επιβλαβείς παρεμβολές.
2. Ο εξοπλισμός πρέπει να δέχεται οποιοσδήποτε παρεμβολές λαμβάνονται, καθώς και παρεμβολές που μπορεί να προκαλέσουν ανεπιθύμητη λειτουργία.

Αλλαγές ή τροποποιήσεις αυτού του εξοπλισμού που δεν έχουν ρητά εγκριθεί από τον υπεύθυνο συμμόρφωσης, μπορεί να ακυρώσουν την αρμοδιότητα του χρήστη να λειτουργήσει τον εξοπλισμό. Ο εξοπλισμός αυτός έχει δοκιμαστεί και κρίθηκε ότι συμμορφώνεται με τους περιορισμούς περί ψηφιακών συσκευών Κατηγορίας Α, σύμφωνα με το Κεφάλαιο 15 των κανόνων της FCC. Αυτά τα όρια έχουν σχεδιαστεί για να παρέχουν εύλογη προστασία από τις επιβλαβείς παρεμβολές όταν ο εξοπλισμός λειτουργεί σε εμπορικό περιβάλλον. Αυτό ο εξοπλισμός

λειτουργεί, χρησιμοποιεί και μπορεί να εκπέμπει ενέργεια ραδιοσυχνοτήτων και, εάν δεν εγκατασταθεί και δεν χρησιμοποιηθεί σύμφωνα με το εγχειρίδιο οδηγιών, ενδέχεται να προκαλέσει επιβλαβείς παρεμποδίσεις στις ραδιοεπικοινωνίες. Η λειτουργία του εξοπλισμού σε οικιστική περιοχή ενδεχομένως να προκαλέσει επιβλαβείς παρεμβολές, στην οποία περίπτωση ο χρήστης θα χρειαστεί να καλύψει με δικά του έξοδα την αποκατάσταση των παρεμβολών. Για τη μείωση των προβλημάτων παρεμβολών, μπορούν να χρησιμοποιηθούν οι ακόλουθες τεχνικές:

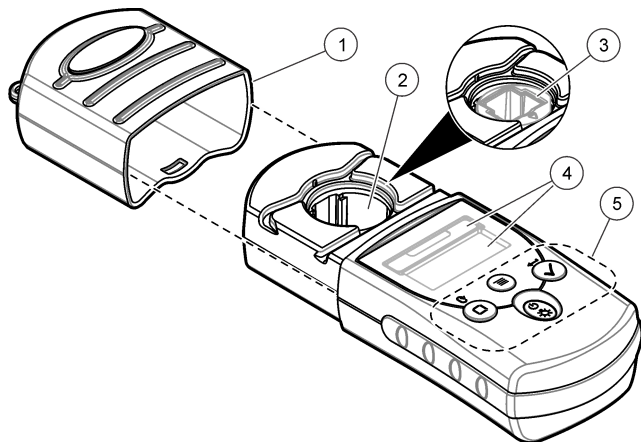
1. Μετακινήστε τον εξοπλισμό μακριά από τη συσκευή που λαμβάνει την παρεμβολή.
2. Επανατοποθετήστε την κεραία λήψης της συσκευής που λαμβάνει την παρεμβολή.
3. Δοκιμάστε συνδυασμούς των παραπάνω.

Επισκόπηση προϊόντος

Η συσκευή αυτή είναι ένα φορητό φωτόμετρο φίλτρου που χρησιμοποιείται για τον έλεγχο νερού. Ανατρέξτε στην [Εικόνα 141](#). Η συσκευή αυτή έχει διαμορφωθεί στο εργοστάσιο ώστε να μετρά μία ή δύο ειδικές παραμέτρους. Η συσκευή αυτή έχει βαθμονομηθεί στο εργοστάσιο. Δεν απαιτείται βαθμονόμηση από το χρήστη.

Σημείωση: Η συσκευή αυτή δεν έχει αξιολογηθεί για τη μέτρηση χλωρίου και χλωραμινών σε ιατρικές εφαρμογές στις Ηνωμένες Πολιτείες.

Εικόνα 141 Επισκόπηση συσκευής



1 Κάλυμμα συσκευής	3 Υποδοχέας κυψελίδας με προσαρμογέα κυψελίδας 1 cm ¹	5 Πληκτρολόγιο
2 Υποδοχέας κυψελίδας	4 Οθόνη	

¹ Εγκατεστημένη από το εργοστάσιο σε ορισμένα μοντέλα

Εκκίνηση

Τοποθέτηση μπαταριών

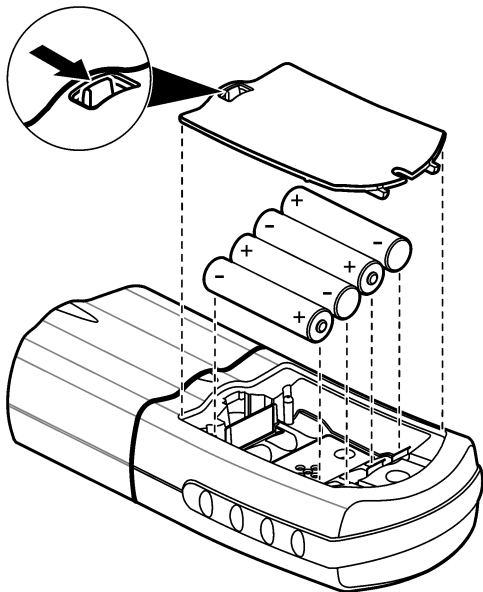
▲ ΠΡΟΕΙΔΟΠΟΙΗΣΗ



Κίνδυνος έκρηξης. Η εσφαλμένη τοποθέτηση των μπαταριών μπορεί να προκαλέσει την απελευθέρωση εκρηκτικών αερίων. Βεβαιωθείτε ότι οι μπαταρίες είναι του ίδιου εγκεκριμένου χημικού τύπου και έχουν τοποθετηθεί προς το σωστό προσανατολισμό. Μην συνδυάζετε καινούριες και χρησιμοποιημένες μπαταρίες.

Τοποθετήστε τις μπαταρίες όπως παρουσιάζεται στην [Εικόνα 142](#).

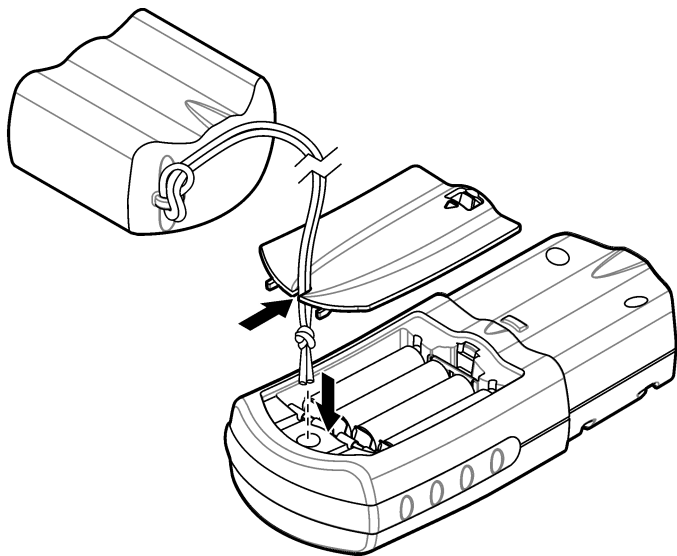
Εικόνα 142 Τοποθέτηση μπαταριών



Τοποθετήστε το κορδόνι του καλύμματος

Προσαρτήστε το κορδόνι του καλύμματος για να αποτρέψετε την απώλεια του καλύμματος της συσκευής. Ανατρέξτε στην [Εικόνα 143](#).

Εικόνα 143 Τοποθετήστε το κορδόνι του καλύμματος

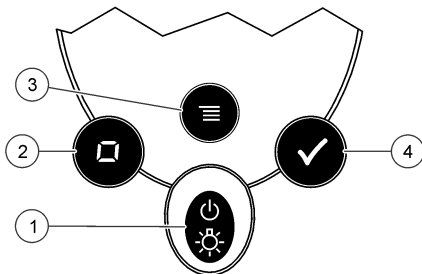


Περιβάλλον και πλοήγηση χρήστη

Περιγραφή πληκτρολογίου

Η [Εικόνα 144](#) παρουσιάζει το πληκτρολόγιο και παραθέτει τις βασικές λειτουργίες.

Εικόνα 144 Πληκτρολόγιο



<p>1 Πλήκτρο ενεργοποίησης/οπισθοφωτισμού: Ενεργοποιεί και απενεργοποιεί τη συσκευή. Πατήστε και κρατήστε πατημένο επί 1 δευτερόλεπτο για να ενεργοποιήσετε ή να απενεργοποιήσετε τον οπισθοφωτισμό.</p>	<p>3 Πλήκτρο μενού: Επιτρέπει την είσοδο και την έξοδο από την κατάσταση λειτουργίας μενού.</p>
<p>2 Πλήκτρο μηδενισμού/κύλισης: Μηδενίζει τη συσκευή και πραγματοποιεί κύλιση σε επιλογές μενού και αριθμούς</p>	<p>4 Πλήκτρο μέτρησης/εισαγωγής: Αρχίζει μια μέτρηση δείγματος, ορίζει μια επιλογή μενού και μετακινεί το δρομέα στο επόμενο ψηφίο</p>

Περιγραφή οθόνης

Η [Εικόνα 145](#) παρουσιάζει τις τιμές και τα εικονίδια που προβάλλονται στην οθόνη.




Εικόνα 145 Οθόνη



1 Οθόνη αριθμητικών τιμών: Μετρηθείσα τιμή ή επιλογές μενού	4 Εικονίδιο μενού: Η συσκευή βρίσκεται στην κατάσταση λειτουργίας μενού.
2 Εικονίδιο εύρους: Επιλεγμένο εύρος ή παράμετρος	5 Εικονίδιο ρυθμισμένης βαθμονόμησης: Η εργοστασιακά προεπιλεγμένη βαθμονόμηση έχει ρυθμιστεί ή έχει εισαχθεί μια καμπύλη βαθμονόμησης καταχωρημένη από το χρήστη. Ανατρέξτε στο πλήρες εγχειρίδιο λειτουργίας στον ιστότοπο του κατασκευαστή.
3 Τιμή εύρους: Εύρος(-η) ή παράμετροι	6 Εικονίδιο χαμηλής στάθμης μπαταρίας: Η στάθμη της μπαταρίας είναι 10%. Αναβοσβήνει όταν η στάθμη της μπαταρίας είναι υπερβολικά χαμηλή για την ολοκλήρωση των μετρήσεων.

Λειτουργία

Διαμόρφωση του οργάνου

1. Πατήστε το πλήκτρο .
2. Πατήστε το πλήκτρο  για κύλιση στις επιλογές του μενού. Πατήστε το πλήκτρο  για να ορίσετε μια επιλογή.

Επιλογή Περιγραφή

- SEL** Ορίζει το εύρος μέτρησης της παραμέτρου. Πατήστε το πλήκτρο ✓ για εναλλαγή μεταξύ των ευρών μέτρησης ή των παραμέτρων.
- 00:00** Ορίζει την ώρα σε μορφή 24ώρου (ωω:λλ). Πατήστε το πλήκτρο ✓ για να αλλάξετε την ώρα. Πατήστε το πλήκτρο □ για να αλλάξετε το πρώτο ψηφίο και στη συνέχεια το ✓ για να μεταβείτε στο επόμενο ψηφίο.
- rCL** Εμφανίζει τις τελευταίες 10 καταγεγραμμένες μετρήσεις. Πατήστε το πλήκτρο ✓ για να εμφανίσετε τις καταγεγραμμένες μετρήσεις (01 - πλέον πρόσφατη μέτρηση, 10 - παλαιότερη μέτρηση). Πατήστε το πλήκτρο ✓ για κύλιση στις μετρήσεις. Για να επιλέξετε μια μέτρηση κατά αριθμό, Πατήστε το πλήκτρο □ για επιλογή του αριθμού και κατόπιν το πλήκτρο ✓. Πατήστε το πλήκτρο ≡ για να εξέλθετε από αυτήν την επιλογή.
- SCA** Ανατρέξτε στο πλήρες εγχειρίδιο λειτουργίας στον ιστότοπο του κατασκευαστή.

3. Πατήστε το πλήκτρο ≡ για να επιστρέψετε στον τρόπο λειτουργίας μέτρησης.

Εκτέλεση ελέγχου



▲ ΠΡΟΕΙΔΟΠΟΙΗΣΗ



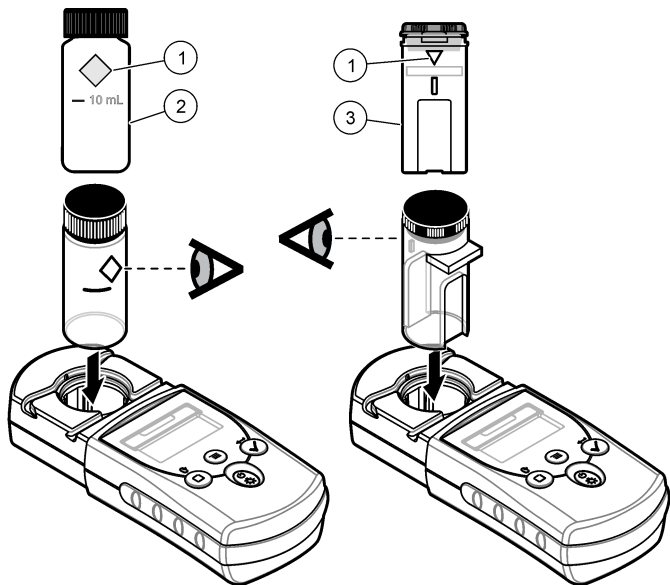
Κίνδυνος έκθεσης σε χημικά. Τηρείτε τις εργαστηριακές διαδικασίες ασφάλειας και φοράτε όλα τα μέσα ατομικής προστασίας που είναι κατάλληλα για τα χημικά που χειρίζεστε. Ανατρέξτε στα υπάρχοντα φύλλα δεδομένων ασφάλειας υλικού (MSDS/SDS) για τα πρωτόκολλα ασφάλειας.

Ακολουθούν τα βασικά βήματα μέτρησης που είναι απαραίτητα για την εκτέλεση ενός ελέγχου. Για την εκτέλεση ενός συγκεκριμένου ελέγχου, ανατρέξτε στην αντίστοιχη μέθοδο.

1. Επιλέξτε το κατάλληλο εύρος μέτρησης ή την παράμετρο. Ανατρέξτε στην **Διαμόρφωση του οργάνου** στη σελίδα 364.
2. Ετοιμάστε το τυφλό δείγμα σύμφωνα με το έγγραφο της μεθόδου. Βεβαιωθείτε ότι χρησιμοποιείτε το σωστό μέγεθος κυψελίδας δείγματος. Εκπλύνετε την κυψελίδα δείγματος και το πώμα με το τυφλό διάλυμα πριν από την πλήρωση της κυψελίδας δείγματος.

3. Κλείστε την κυψελίδα δείγματος και καθαρίστε τις οπτικές όψεις της κυψελίδας δείγματος με ένα πανί που δεν αφήνει χνούδι.
4. Τοποθετήστε την κυψελίδα τυφλού δείγματος στον υποδοχέα κυψελίδας. Φροντίστε να τοποθετήσετε την κυψελίδα τυφλού δείγματος με σωστό και σταθερό προσανατολισμό, ούτως ώστε τα αποτελέσματα να είναι επαναλήψιμα και πιο ακριβή. Ανατρέξτε στην [Εικόνα 146](#).
5. Τοποθετήστε το κάλυμμα της συσκευής επάνω από τον υποδοχέα κυψελίδας. Ανατρέξτε στην [Εικόνα 147](#).
6. Πατήστε το πλήκτρο  για να μηδενίσετε τη συσκευή. Η οθόνη εμφανίζει την ένδειξη "0.000" ή το βαθμό ανάλυσης που ήταν προηγουμένως επιλεγμένος.
7. Προετοιμάστε το δείγμα. Εκπλύνετε με το δείγμα την κυψελίδα δείγματος και το πώμα τρεις φορές πριν από την πλήρωση της κυψελίδας δείγματος. Προσθέστε αντιδραστήρια, όπως καθορίζεται στο έγγραφο της μεθόδου.
8. Κλείστε την κυψελίδα δείγματος και καθαρίστε τις οπτικές επιφάνειες της κυψελίδας με ένα πανί που δεν αφήνει χνούδι.
9. Εισαγάγετε το δείγμα στον υποδοχέα της κυψελίδας. Φροντίστε να τοποθετήσετε την κυψελίδα δείγματος με σωστό και σταθερό προσανατολισμό, ούτως ώστε τα αποτελέσματα να είναι επαναλήψιμα και πιο ακριβή. Ανατρέξτε στην [Εικόνα 146](#).
10. Τοποθετήστε το κάλυμμα της συσκευής επάνω από τον υποδοχέα κυψελίδας. Ανατρέξτε στην [Εικόνα 147](#).
11. Πατήστε το πλήκτρο . Η οθόνη εμφανίζει τα αποτελέσματα σε μονάδες συγκέντρωσης ή ως απορρόφηση.
***Σημείωση:** Το αποτέλεσμα αναβοσβήνει εάν η τιμή είναι μικρότερη ή μεγαλύτερη από το εύρος της συσκευής.*
12. Αφαιρέστε το παρασκευασμένο δείγμα από τον υποδοχέα της κυψελίδας.
13. Αδειάστε αμέσως και εκπλύνετε την κυψελίδα δείγματος. Εκπλύνετε την κυψελίδα δείγματος και το πώμα τρεις φορές με απιονισμένο νερό.

Εικόνα 146 Προσανατολισμός κυψελίδας δείγματος

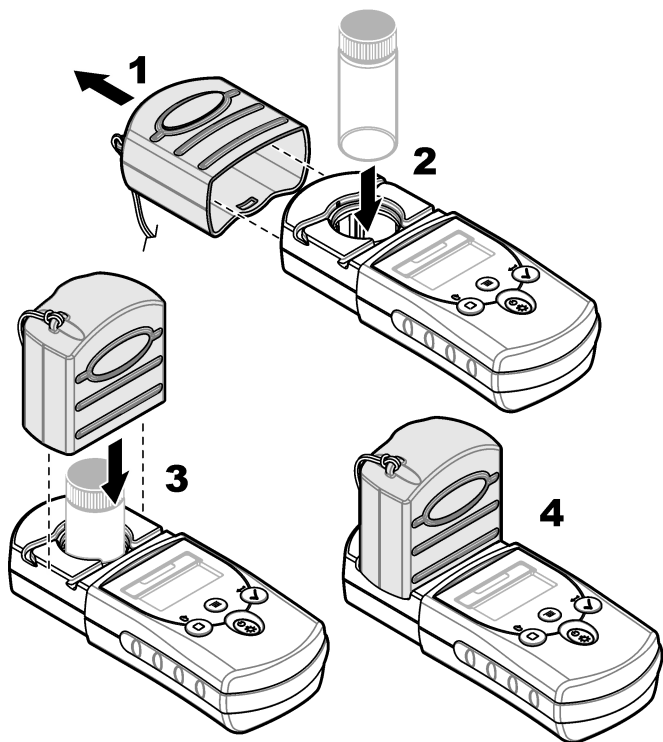


1 Ένδειξη
προσανατολισμού

2 Κυψελίδα δείγματος,
των 25 mm (10 mL)

3 Κυψελίδα δείγματος,
του 1 cm (10 mL)

Εικόνα 147 Τοποθετήστε το κάλυμμα της συσκευής επάνω από τον υποδοχέα κυψελίδας



Εμφάνιση των καταγεγραμμένων μετρήσεων

Ανατρέξτε στην επιλογή "rCL" στην ενότητα [Διαμόρφωση του οργάνου](#) στη σελίδα 364

Συντήρηση

⚠ ΠΡΟΣΟΧΗ



Πολλαπλοί κίνδυνοι. Μόνο ειδικευμένο προσωπικό πρέπει να εκτελεί τις εργασίες που περιγράφονται σε αυτήν την ενότητα του εγχειριδίου.

ΕΙΔΟΠΟΙΗΣΗ

Μην αποσυναρμολογείτε τη συσκευή για συντήρηση. Εάν πρέπει να καθαριστούν ή να επισκευαστούν τα εσωτερικά εξαρτήματα, επικοινωνήστε με τον κατασκευαστή.

Καθαρισμός του οργάνου

Καθαρίστε το εξωτερικό μέρος της συσκευής με ένα υγρό πανί και ήπιο διάλυμα σαπουνιού και, στη συνέχεια, σκουπίστε τη συσκευή για να την στεγνώσετε.

Καθαρισμός των κυψελίδων δείγματος

⚠ ΠΡΟΣΟΧΗ



Κίνδυνος έκθεσης σε χημικά. Τηρείτε τις εργαστηριακές διαδικασίες ασφάλειας και φοράτε όλα τα μέσα ατομικής προστασίας που είναι κατάλληλα για τα χημικά που χειρίζεστε. Ανατρέξτε στα υπάρχοντα φύλλα δεδομένων ασφάλειας υλικού (MSDS/SDS) για τα πρωτόκολλα ασφάλειας.

⚠ ΠΡΟΣΟΧΗ



Κίνδυνος έκθεσης σε χημικά. Απορρίψτε τα χημικά και τα απόβλητα σύμφωνα με τους τοπικούς, περιφερειακούς και εθνικούς κανονισμούς.

Πολλά εργαστηριακά απορρυπαντικά χρησιμοποιούνται στις συνιστώμενες συγκεντρώσεις. Τα ουδέτερα απορρυπαντικά, όπως το Liqüinox, είναι πιο ασφαλή, όταν είναι απαραίτητος ο τακτικός καθαρισμός. Για να ελαττώσετε τον χρόνο καθαρισμού, αυξήστε τη θερμοκρασία ή χρησιμοποιήστε λουτρό υπερήχων. Για να ολοκληρώσετε τον καθαρισμό, ξεπλύνετε μερικές φορές με αποιονισμένο νερό και αφήστε την κυψελίδα δείγματος να στεγνώσει ελεύθερα στον αέρα.

Οι κυψελίδες δείγματος είναι, επίσης, δυνατό να καθαριστούν με οξύ και, στη συνέχεια, να ξεπλυθούν σχολαστικά με απιονισμένο νερό.


Σημείωση: Χρησιμοποιείτε πάντοτε οξύ για τον καθαρισμό κυψελίδων δείγματος που χρησιμοποιήθηκαν για χαμηλής βαθμίδας δοκιμές μετάλλων.

Για ξεχωριστές διαδικασίες είναι απαραίτητο να ακολουθούνται ειδικές μέθοδοι καθαρισμού. Όταν χρησιμοποιείτε βούρτσα για τον καθαρισμό των κυψελίδων δείγματος, πρέπει να είστε ιδιαίτερα προσεκτικός(-ή) ώστε να αποφύγετε να χαράξετε τις εσωτερικές επιφάνειες των κυψελίδων.

Αντικατάσταση των μπαταριών

Αντικαταστήστε τις μπαταρίες όταν η στάθμη ισχύος της μπαταρίας είναι χαμηλή. Ανατρέξτε στην [Τοποθέτηση μπαταριών](#) στη σελίδα 360.

Αντιμετώπιση προβλημάτων

Σφάλμα	Περιγραφή	Λύση
E-0	Απουσία σημείου μηδέν	Στον τρόπο λειτουργίας βαθμονόμησης από το χρήστη, μετρήθηκε ένα πρότυπο διάλυμα προτού οριστεί το σημείο μηδέν της συσκευής. Εκτελέστε μέτρηση ενός τυφλού διαλύματος για να μηδενίσετε τη συσκευή.
E-1	Σφάλμα περιβάλλοντος φωτισμού ¹	Υπάρχει φως περιβάλλοντος στον υποδοχέα κυψελίδας. Βεβαιωθείτε ότι το κάλυμμα της συσκευής έχει τοποθετηθεί πλήρως επάνω από τον υποδοχέα κυψελίδας.
E-2	Σφάλμα λυχνίας LED ¹	Η λυχνία LED (πηγή φωτός) δεν είναι ρυθμισμένη σωστά. Αντικαταστήστε τις μπαταρίες. Βεβαιωθείτε ότι η λυχνία LED στον υποδοχέα κυψελίδας ανάβει όταν πατήσετε το πλήκτρο ✓ ή  .

Σφάλμα	Περιγραφή	Λύση
E-3	Σφάλμα ρύθμισης προτύπου	<ul style="list-style-type: none"> • Η μετρηθείσα τιμή του προτύπου διαλύματος είναι μεγαλύτερη από τα όρια ρύθμισης. Παρασκευάστε φρέσκο πρότυπο διάλυμα. • Το πρότυπο διάλυμα δεν βρίσκεται εντός του εύρους συγκέντρωσης που μπορεί να χρησιμοποιηθεί για ρύθμιση βαθμονόμησης προτύπου. Παρασκευάστε ένα πρότυπο διάλυμα με τιμή συγκέντρωσης εντός ή πλησίον του συνιστώμενου εύρους τιμών συγκέντρωσης που παρέχεται από τη διαδικασία. • Βεβαιωθείτε ότι η συγκέντρωση του προτύπου διαλύματος έχει εισαχθεί σωστά.
E-6	Σφάλμα απορρόφησης	Η τιμή απορρόφησης δεν είναι σωστή ή η καταχωρημένη από το χρήστη καμπύλη βαθμονόμησης έχει λιγότερα από δύο σημεία. Εισαγάγετε ή μετρήστε ξανά την τιμή απορρόφησης.
E-7	Σφάλμα τιμής προτύπου διαλύματος	Η συγκέντρωση του προτύπου διαλύματος ισούται με τη συγκέντρωση κάποιου άλλου προτύπου διαλύματος που έχει ήδη εισαχθεί στην καταχωρημένη από το χρήστη καμπύλη βαθμονόμησης. Εισαγάγετε τη σωστή συγκέντρωση προτύπου διαλύματος.
E-9	Σφάλμα μνήμης flash	Η συσκευή δεν μπορεί να αποθηκεύσει δεδομένα.

Σφάλμα	Περιγραφή	Λύση
Η ένδειξη αναβοσβήνει	Η τιμή μέτρησης είναι μεγαλύτερη ή μικρότερη από το εύρος τιμών της συσκευής. ²	Εάν η τιμή μέτρησης είναι μικρότερη από το εύρος τιμών της συσκευής, βεβαιωθείτε ότι το κάλυμμα της συσκευής είναι πλήρως τοποθετημένο επάνω στον υποδοχέα της συσκευής. Εκτελέστε μέτρηση τυφλού. Εάν η τιμή μέτρησης τυφλού είναι διάφορη του μηδενός, μηδενίστε ξανά τη συσκευή.
		Εάν η τιμή μέτρησης είναι μεγαλύτερη του εύρους τιμών της συσκευής, ελέγξτε μήπως το φως εμποδίζεται στον υποδοχέα κυψελίδας. Αραιώστε το δείγμα. Επαναλάβετε τον έλεγχο.
		Για προγράμματα που έχουν βαθμονομηθεί εργοστασιακά, οι μέγιστες και οι ελάχιστες τιμές είναι πάντα ίσες με τις τιμές της εργοστασιακής βαθμονόμησης και δεν μπορούν να αλλάξουν.

- ¹ Όταν προκύψει σφάλμα E-1 ή E-2 σε μια μέτρηση, στην οθόνη εμφανίζεται η ένδειξη “_ _ _”. Η θέση της υποδιαστολής εξαρτάται από τη χημική ουσία. Εάν το σφάλμα E-1 ή E-2 προκύψει ενόσω η συσκευή είναι μηδενισμένη, μηδενίστε ξανά τη συσκευή.
- ² Η τιμή που αναβοσβήνει θα είναι 10% μεγαλύτερη από το ανώτατο όριο του εύρους τιμών εξέτασης.

Ανταλλακτικά

▲ ΠΡΟΕΙΔΟΠΟΙΗΣΗ



Κίνδυνος τραυματισμού. Η χρήση μη εγκεκριμένων εξαρτημάτων ενδέχεται να προκαλέσει τραυματισμό, βλάβη στο όργανο ή δυσλειτουργία εξοπλισμού. Τα ανταλλακτικά εξαρτήματα της παρούσας ενότητας είναι εγκεκριμένα από τον κατασκευαστή.

Σημείωση: Οι κωδικοί προϊόντος και οι αριθμοί καταλόγου μπορεί να διαφέρουν σε ορισμένες περιοχές πώλησης. Επικοινωνήστε με τον κατάλληλο διανομέα ή ανατρέξτε στη δικτυακή τοποθεσία της εταιρείας για τα στοιχεία επικοινωνίας.

Ανταλλακτικά

Περιγραφή	Ποσότητα	Αρ. προϊόντος
Αλκαλικές μπαταρίες τύπου AAA	4/συσκ.	4674300
Καλώδιο καλύμματος	1	5955900
Κάλυμμα συσκευής	1	5954800
Κυψελίδα δείγματος, των 25 mm (10 mL), με πώματα	6/συσκ.	2427606
Κυψελίδα δείγματος, του 1 cm (10 mL), με πώματα	2/συσκ.	4864302

**HACH COMPANY World Headquarters**

P.O. Box 389, Loveland, CO 80539-0389

U.S.A.

Tel. (970) 669-3050

(800) 227-4224 (U.S.A. only)

Fax (970) 669-2932

orders@hach.com

www.hach.com

HACH LANGE GMBH

Willstätterstraße 11

D-40549 Düsseldorf, Germany

Tel. +49 (0) 2 11 52 88-320

Fax +49 (0) 2 11 52 88-210

info@hach-lange.de

www.hach-lange.de

HACH LANGE Sàrl

6, route de Compois

1222 Vézenaz

SWITZERLAND

Tel. +41 22 594 6400

Fax +41 22 594 6499