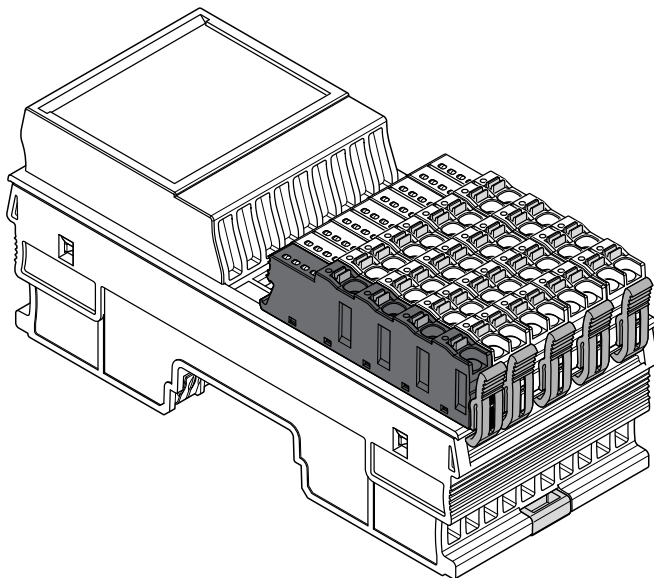


NI REM-11178

Digital Output Module for Remote I/O



This document explains how to connect to the REM-11178.



Note The guidelines in this document are specific to the REM-11178. The other components in the system might not meet the same safety ratings. Refer to the documentation for each component in the system to determine the safety and EMC ratings for the entire system.



Caution Do not operate the REM-11178 in a manner not specified in this document. Product misuse can result in a hazard. You can compromise the safety protection built into the product if the product is damaged in any way. If the product is damaged, return it to NI for repair.

Isolation Withstand Voltages

Test section	Test voltage
5 V communications power (logic), 24 V supply (I/O)	500 VAC, 50 Hz, 1 min.
5 V supply (logic)/functional earth ground	500 VAC, 50 Hz, 1 min.
24 V supply (I/O)/functional earth ground	500 VAC, 50 Hz, 1 min.

Electromagnetic Compatibility Guidelines

This product was tested and complies with the regulatory requirements and limits for electromagnetic compatibility (EMC) stated in the product specifications. These requirements and limits provide reasonable protection against harmful interference when the product is operated in the intended operational electromagnetic environment.

This product is intended for use in industrial locations. However, harmful interference may occur in some installations, when the product is connected to a peripheral device or test object, or if the product is used in residential or commercial areas. To minimize interference with radio and television reception and prevent unacceptable performance degradation, install and use this product in strict accordance with the instructions in the product documentation.

Furthermore, any changes or modifications to the product not expressly approved by National Instruments could void your authority to operate it under your local regulatory rules.

Preparing the Environment

Ensure that the environment in which you are using the REM-11178 meets the following specifications.

Operating temperature	-25 °C to 60 °C
Operating humidity	5% RH to 95% RH, noncondensing
Pollution Degree	2
Maximum altitude	3,000 m

Indoor use only.

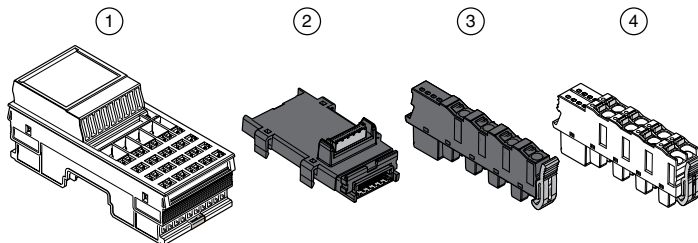


Note Refer to the device datasheet on ni.com/manuals for complete specifications.

Verifying the Kit Contents

Verify that the following items are included in the REM-11178 kit.

Figure 1. REM-11178 Kit Contents



1. NI REM-11178
2. Bus connector

3. Supply voltage connector
4. Spring-terminal block (x4)

Unpacking the Kit



Caution To prevent electrostatic discharge (ESD) from damaging the device, ground yourself using a grounding strap or by holding a grounded object, such as your computer chassis.

1. Touch the antistatic package to a metal part of the computer chassis.
2. Remove the device from the package and inspect the device for loose components or any other sign of damage.



Caution Never touch the exposed pins of connectors.



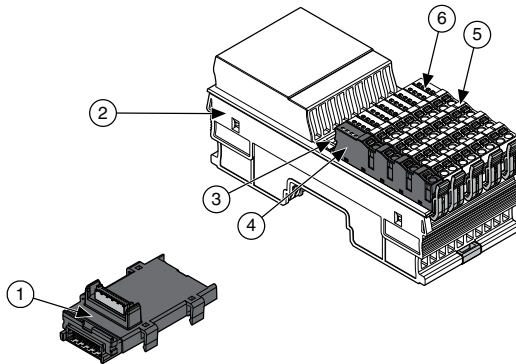
Note Do not install a device if it appears damaged in any way.

3. Unpack any other items and documentation from the kit.

Store the device in the antistatic package when the device is not in use.

Installing the REM-11178

Figure 2. Structure of the REM-11178



- | | |
|--------------------------|-----------------------------|
| 1. Bus connector | 4. Supply voltage connector |
| 2. REM-11178 | 5. Spring-terminal block |
| 3. Module function label | 6. LED indicators |

Table 1. Module Function Labels

Label Color	Module Function
Blue	Digital input
Red	Digital output
Green	Analog input, thermocouple
Yellow	Analog output
White	Bus coupler, power module

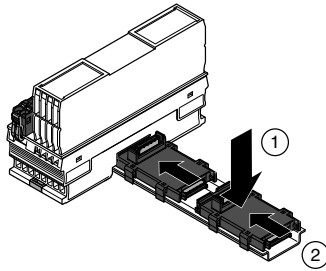
Installing Bus Connectors

What to Use

- Bus connector
- DIN rail

What to Do

Complete the following steps to install bus connectors on the DIN rail.



1. Insert the bus connector for the REM-11178 into the DIN rail.



Caution Verify that you are using the correct bus connector for the module width.

2. Slide the bus connector along the DIN rail until it connects to the preceding bus connector.



Note A bus connector will not attach to a preceding bus connector with a mounted module. Remove the preceding module before installing additional bus connectors.

3. Repeat Steps 2 and 3 for additional bus connectors.

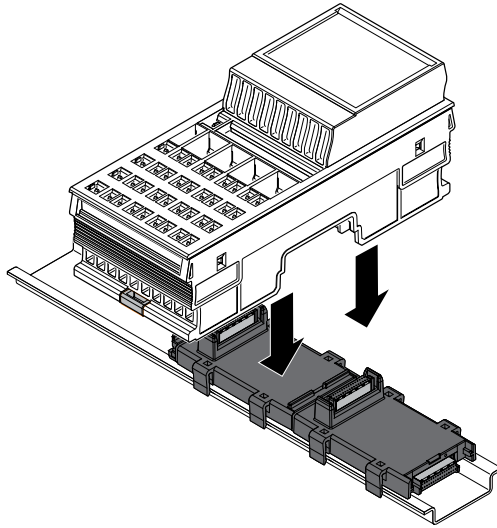
Installing the Module

What to Use

- REM-11178
- Mounted bus connector

What to Do

Complete the following steps to install the REM-11178 on the DIN rail.



1. Align the REM-11178 over the appropriate bus connector.



Note Verify that the bus connector socket aligns with the socket on the underside of the module.

2. Press the REM-11178 directly onto the bus connector and DIN rail until it clicks into place.



Caution Tilting the module when mounting it on the DIN rail will damage the contacts.

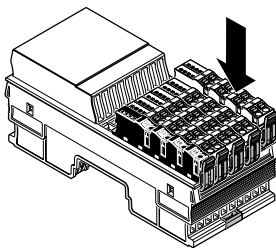
Installing Spring-Terminal Blocks

What to Use

- REM-11178
- Spring-terminal block

What to Do

Align the spring-terminal block over the REM-11178 and press until it clicks into place.



REM-11178 Pinout

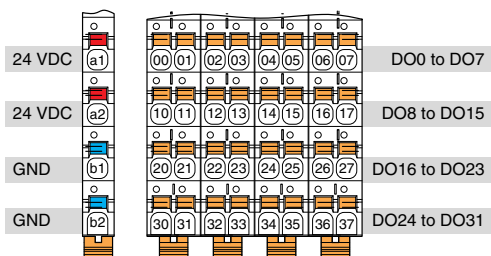


Table 2. REM-11178 Signal Descriptions

Signal	Color	Description	
a1, a2	Red	24 VDC (U_0)	Supply to digital output modules (internally jumpered)
b1, b2	Blue	GND	Reference potential of the supply voltage (internally jumpered)
00 to 07	Orange	DO0 to DO7	Digital outputs 0 to 7
10 to 17	Orange	DO8 to DO15	Digital outputs 8 to 15
20 to 27	Orange	DO16 to DO23	Digital outputs 16 to 23
30 to 37	Orange	DO24 to DO31	Digital outputs 24 to 31

Figure 3. REM-11178 LEDs

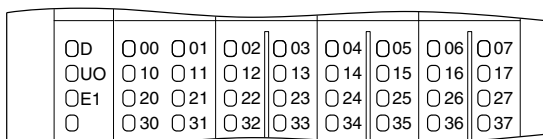
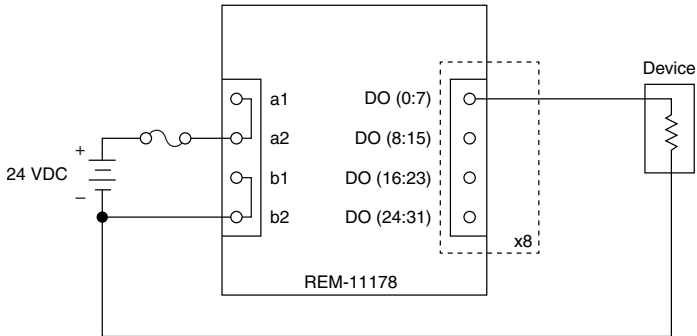


Table 3. LED Indicators

LED	LED Color	LED Pattern	Indication
D	Green	Solid	The REM-11178 is ready for operation.
		Flashing	Data is invalid or unavailable.
	Green/Yellow	Flashing	The REM-11178 cannot communicate with the connected devices.
D	Yellow	Solid	The REM-11178 did not detect a valid cycle after power-on.
		Flashing	The REM-11178 is not part of the configuration.
	Red	Solid	The REM-11178 has lost connection to the Bus Coupler.
		Flashing	The REM-11178 has lost connection to the preceding adjacent module.
	—	Off	The REM-11178 is in reset mode.
UO	Green	Solid	Supply to digital output module present.
	—	Off	No supply to digital output modules.
E1	Red	Solid	Breakdown or overload/short-circuit of an output.
	—	Off	No I/O error.
00...37	Red	Solid	Short-circuit/overload of the output.
	Yellow	Solid	Output is set.
	—	Off	Output is not set.

Connecting the REM-11178



- Each channel supplies voltage to a single connection.
- DO terminals supply the digital output voltages.
- The output switches the load directly.



Caution To prevent device malfunction, make sure the output ground and the ground for the power supply (U_O), have the same voltage.



Note For information about fuse ratings for the REM-11178, refer to the device datasheet on ni.com/manuals.

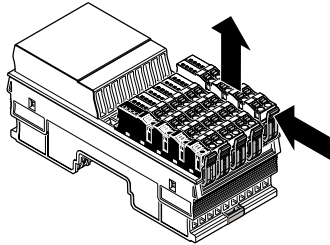
Connection Guidelines

- Make sure that devices you connect to the REM-11178 are compatible with the module specifications.
- Push the wire into the terminal when using a solid wire or a stranded wire with a ferrule.
- Open the terminal by pressing a screwdriver into the spring lever when using a stranded wire without a ferrule.

Removing Components

Removing Spring Terminal Blocks

Complete the following steps to remove a spring-terminal block from the REM-11178.



1. Press the locking latch to release the spring-terminal block.
2. Tilt the block toward the center of the module.
3. Remove the connector from the module.

Removing the REM-11178

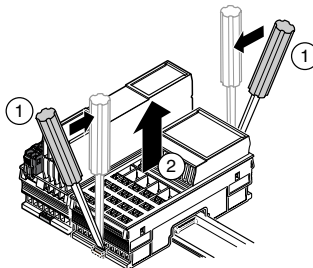
Remove all connections before removing the REM-11178, either by disconnecting the cables or removing the spring-terminal block.

What to Use

- Flathead Screwdriver

What to Do

Complete the following steps to remove the REM-11178 from the DIN rail.



1. Insert the screwdriver and loosen the base latches on either end of the module.
2. Remove REM-11178 perpendicular to the DIN rail.



Caution Tilting the module when removing it from the DIN rail will damage the contacts.

Removing Bus Connectors

Complete the following steps to remove bus connectors from the DIN rail.

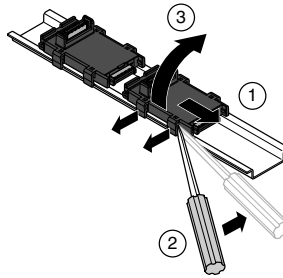
What to Use

- Flathead Screwdriver

What to Do



Note You must remove the preceding module before removing the bus connector.

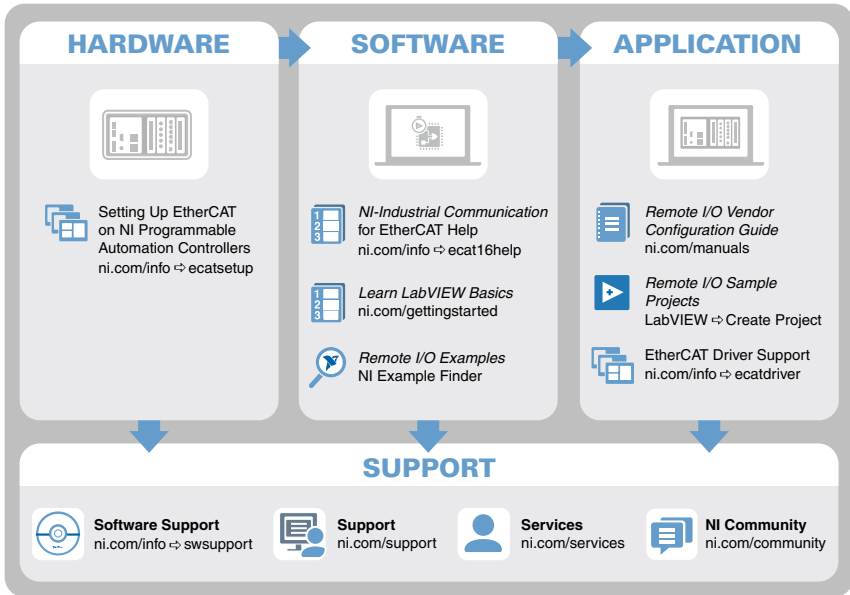


1. Slide the bus connector away from the preceding bus connector at least 5.0 mm (0.20 in.).
2. Insert the screwdriver and loosen both latches on one side of the DIN rail.
3. Rotate the bus connector to remove it from the DIN rail.



Note If you want to remove a bus connector in the middle of the system, you must remove any modules or bus connectors following the desired connector or slide them along the DIN rail at least 15.0 mm (0.60 in.).

Where to Go Next



Worldwide Support and Services

The NI website is your complete resource for technical support. At ni.com/support, you have access to everything from troubleshooting and application development self-help resources to email and phone assistance from NI Application Engineers.

Visit ni.com/services for NI Factory Installation Services, repairs, extended warranty, and other services.

Visit ni.com/register to register your NI product. Product registration facilitates technical support and ensures that you receive important information updates from NI.

A Declaration of Conformity (DoC) is our claim of compliance with the Council of the European Communities using the manufacturer’s declaration of conformity. This system affords the user protection for electromagnetic compatibility (EMC) and product safety. You can obtain the DoC for your product by visiting ni.com/certification. If your product supports calibration, you can obtain the calibration certificate for your product at ni.com/calibration.

NI corporate headquarters is located at 11500 North Mopac Expressway, Austin, Texas, 78759-3504. NI also has offices located around the world. For telephone support in the United States, create your service request at ni.com/support or dial 1 866 ASK MYNI (275 6964). For

telephone support outside the United States, visit the *Worldwide Offices* section of ni.com/niglobal to access the branch office websites, which provide up-to-date contact information, support phone numbers, email addresses, and current events.

Refer to the *NI Trademarks and Logo Guidelines* at ni.com/trademarks for information on NI trademarks. Other product and company names mentioned herein are trademarks or trade names of their respective companies. For patents covering NI products/technology, refer to the appropriate location: **Help»Patents** in your software, the `patents.txt` file on your media, or the *National Instruments Patent Notice* at ni.com/patents. You can find information about end-user license agreements (EULAs) and third-party legal notices in the readme file for your NI product. Refer to the *Export Compliance Information* at ni.com/legal/export-compliance for the NI global trade compliance policy and how to obtain relevant HTS codes, ECCNs, and other import/export data. NI MAKES NO EXPRESS OR IMPLIED WARRANTIES AS TO THE ACCURACY OF THE INFORMATION CONTAINED HEREIN AND SHALL NOT BE LIABLE FOR ANY ERRORS. U.S. Government Customers: The data contained in this manual was developed at private expense and is subject to the applicable limited rights and restricted data rights as set forth in FAR 52.227-14, DFAR 252.227-7014, and DFAR 252.227-7015.

© 2016 National Instruments. All rights reserved.

376555A-01 Oct16