

Single point load cell, models F4801, F4802, F4818

EN

Plattformwägezelle, Typen F4801, F4802, F4818

DE



Single point load cell, models F4801, F4802 F4818



EN	Operating instructions, models F4801, F4802, F4818	Page	3 - 26
-----------	---	-------------	---------------

DE	Betriebsanleitung, Typen F4801, F4802, F4818	Seite	27 - 49
-----------	---	--------------	----------------

Contents

1. General information	4
2. Design and function	5
2.1 Overview	5
2.2 Description	5
2.3 Scope of delivery	5
3. Safety	6
3.1 Explanation of symbols	6
3.2 Intended use	6
3.3 Improper use	7
3.4 Responsibility of the operator	7
3.5 Personnel qualification	8
3.6 Personal protective equipment	8
3.7 Labelling, safety marks	9
4. Transport, packaging and storage	10
4.1 Transport	10
4.2 Packaging and storage	10
5. Commissioning, operation	11
5.1 Mounting preparation	11
5.2 Mounting instructions	11
5.3 Mounting the single point load cell	12
5.4 Electrical connection	13
6. Faults	14
7. Maintenance and cleaning	14
7.1 Maintenance	14
7.2 Cleaning	14
8. Dismounting, return and disposal	15
8.1 Dismounting	15
8.2 Return	15
8.3 Disposal	15
9. Specifications	16
9.1 Approvals	21
10. Accessories	22
10.1 Cable	22
10.2 B1940 Cable amplifier	22
10.3 E1932 strain gauge weighing electronics	23
10.4 B6578 junction box	23
10.5 Large display for mA or V signals E1931X800	24
Annex: EU declaration of conformity	25

EN

1. General information

EN

- The single point load cells described in the operating instructions have been designed and manufactured using state-of-the-art technology. All components are subject to stringent quality and environmental criteria during production. Our management systems are certified to ISO 9001.
- These operating instructions contain important information on handling the instrument. Working safely requires that all safety instructions and work instructions are observed.
- Observe the relevant local accident prevention regulations and general safety regulations for the instrument's range of use.
- The operating instructions are part of the product and must be kept in the immediate vicinity of the instrument and readily accessible to skilled personnel at any time. Pass the operating instructions on to the next operator or owner of the instrument.
- Skilled personnel must have carefully read and understood the operating instructions prior to beginning any work.
- The general terms and conditions contained in the sales documentation shall apply.
- Subject to technical modifications.

Further information:

- Internet address: www.wika.com
- Relevant data sheet: FO 53.10 (model F4801)
FO 53.13 (model F4802)
FO 53.14 (model F4818)
- Application consultant: Tel.: +49 9372 132-0
Fax: +49 9372 132-406
info@wika.com

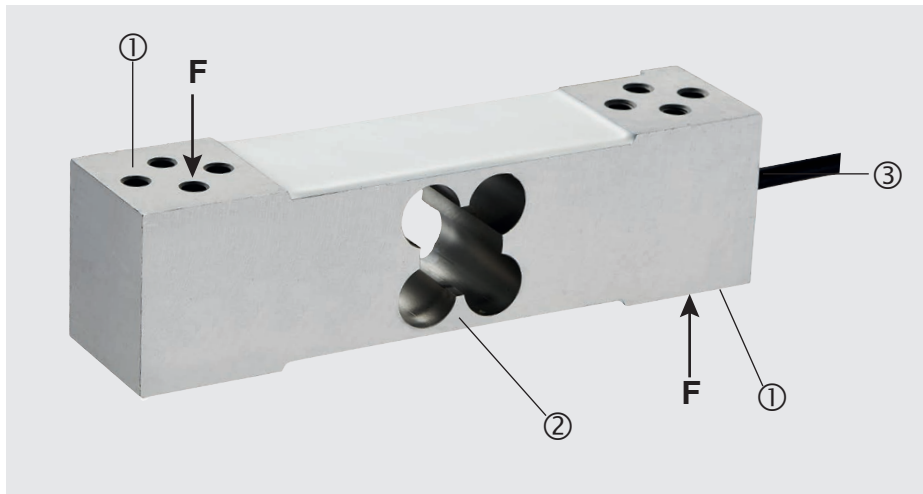
Abbreviations, definitions

4-wire	Two connection lines for the voltage supply One connection lead for the measuring signal
UB+	Positive power supply terminal
UB-	Negative power supply terminal
S+	Positive output terminal
S-	Negative output terminal
Shield	Case
SG	Strain gauge

2. Design and function

2.1 Overview

- ① Force introduction
- ② Measuring spring
- ③ Electrical connection



2.2 Description

The single point load cell is intended for the measurement of static compression forces in weighing applications. The single point load cell consists of a measuring spring on which strain gauges (SGs) are applied. The measuring body is made of aluminium and is elastically deformed by a force introduced in the force direction. The resulting mechanical tensions are measured by the strain gauges and output as an electrical output signal.

The strain gauges are arranged so that two of them are tensioned and the other two are compressed when a force is applied to the single point load cell.

The single point load cell circuit includes correction and compensation resistors to eliminate unwanted effects on the zero signal and characteristic value.

2.3 Scope of delivery

- Single point load cell
- Operating instructions

3. Safety

3.1 Explanation of symbols

EN



WARNING!

... indicates a potentially dangerous situation that can result in serious injury or death, if not avoided.



CAUTION!

... indicates a potentially dangerous situation that can result in light injuries or damage to property or the environment, if not avoided.



Information

... points out useful tips, recommendations and information for efficient and trouble-free operation.

2.4 Intended use

The single point load cells are designed for measuring static forces.

Model	Version/Measuring ranges
F4801	0 ... 3 kg to 0 ... 250 kg
F4802	0 ... 0.3 kg to 0 ... 10 kg
F4818	0 ... 20 kg to 0 ... 500 kg

These instruments have been designed and tested in accordance with the relevant safety regulations for electronic measuring instruments. Any usage outside of this is deemed to be improper. The perfect functioning and operational safety of the single point load cell can only be guaranteed when complying with the instructions given in the operating instructions. During its use, the legal and safety regulations (e.g. VDE 0100) required for the particular application must additionally be observed. This also applies accordingly when using accessories. Faultless and safe operation of this single point load cell requires proper transport, professional storage, installation and mounting and careful operation and corrective maintenance.

The instrument has been designed and built solely for the intended use described here, and may only be used accordingly. The technical specifications contained in these operating instructions must be observed. Improper handling or operation of the instrument outside of its technical specifications requires the instrument to be taken out of service immediately and inspected by an authorised service engineer.

Handle electronic precision measuring instruments with the required care (protect from humidity, impacts, strong magnetic fields, static electricity and extreme temperatures, do not insert any objects into the instrument or its openings). Plugs and sockets must be protected from contamination.

The manufacturer shall not be liable for claims of any type based on operation contrary to the intended use.

2.5 Improper use



WARNING!

Injuries through improper use

Improper use of the instrument can lead to hazardous situations and injuries.

- ▶ Refrain from unauthorised modifications to the instrument.

Any use beyond or different to the intended use is considered as improper use.

2.6 Responsibility of the operator

The instrument is used in the industrial sector. The operator is therefore responsible for legal obligations regarding safety at work.

The safety instructions within these operating instructions, as well as the safety, accident prevention and environmental protection regulations for the application area must be maintained.

The operator is obliged to maintain the product label in a legible condition.

To ensure safe working on the instrument, the operating company must ensure

- that suitable first-aid equipment is available and aid is provided whenever required.
- that the skilled electrical personnel are regularly instructed in all topics regarding work safety, first aid and environmental protection and know the operating instructions and in particular, the safety instructions contained therein.
- that the instrument is suitable for the particular application in accordance with its intended use.
- that personal protective equipment is available.

3.2 Personnel qualification

EN



WARNING!

Risk of injury should qualification be insufficient

Improper handling can result in considerable injury and damage to property.

- ▶ The activities described in these operating instructions may only be carried out by skilled personnel who have the qualifications described below.

Skilled electrical personnel

Skilled electrical personnel are understood to be personnel who, based on their technical training, know-how and experience as well as their knowledge of country-specific regulations, current standards and directives, are capable of carrying out work on electrical systems and independently recognising and avoiding potential hazards. The skilled electrical personnel have been specifically trained for the work environment they are working in and know the relevant standards and regulations. The skilled electrical personnel must comply with current legal accident prevention regulations.

3.3 Personal protective equipment

The requirements for the required protective equipment result from the ambient conditions at the place of use, other products or the connection to other products.

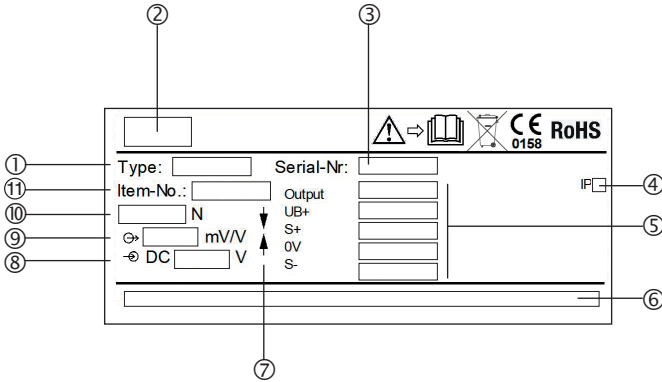
The requisite personal protective equipment must be provided by the operating company. The operator is in no way relieved of his obligations under labour law for the safety and the protection of workers' health.

The design of the personal protective equipment must take into account all operating parameters of the place of use.

3.4 Labelling, safety marks

Product label

EN



- ① Type
- ② Manufacturer logo
- ③ Serial number
- ④ Ingress protection per DIN EN 60529
- ⑤ Pin assignment
- ⑥ Manufacturer address
- ⑦ Force direction
- ⑧ Supply voltage
- ⑨ Output signal
- ⑩ Measuring range
- ⑪ Product code

4. Transport, packaging and storage

4.1 Transport

Check the single point load cell for any damage that may have been caused by transport. Obvious damage must be reported immediately.

EN



CAUTION!

Damage through improper transport

With improper transport, a high level of damage to property can occur.

- ▶ When unloading packed goods upon delivery as well as during internal transport, proceed carefully and observe the symbols on the packaging.
- ▶ With internal transport, observe the instructions in chapter 4.2 "Packaging and storage".

As precision measuring instruments, single point load cells require careful handling during transport and mounting. Load impacts during transport (e.g. hitting a hard surface) can lead to permanent damage, resulting in measuring errors in the subsequent measuring operation.

4.2 Packaging and storage

Do not remove packaging until just before mounting.

Keep the packaging as it will provide optimum protection during transport (e.g. change in installation site, sending for repair).

The measuring spring is manufactured completely from aluminium and corresponds to IP65 ingress protection.

Permissible conditions at the place of storage:

- Storage temperature: -20 ... +60 °C
- Humidity: 35 ... 85 % relative humidity (non-condensing)

Avoid exposure to the following factors:

- Mechanical vibration, mechanical shock (putting it down hard)
- Dust, dirt, and other objects may not be deposited in such a way that they form a force shunt with the measuring spring, since this will falsify the measuring signal.

5. Commissioning, operation

5.1 Mounting preparation

- Single point load cells are sensitive measuring instruments and must be handled with appropriate care.
- When commissioning the single point load cell, ensure that the mounting surface is level, clean and free of grease.

5.2 Mounting instructions



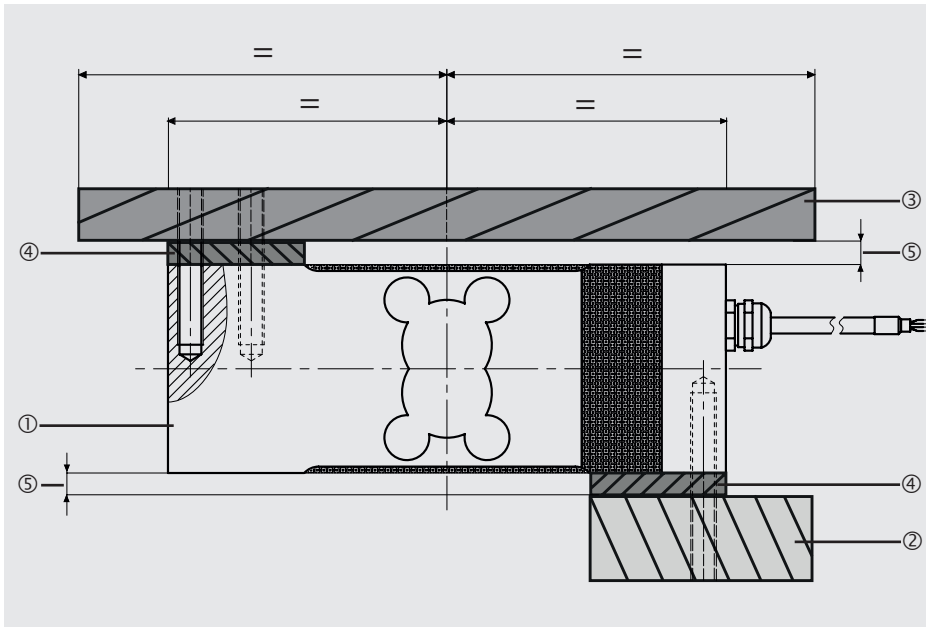
CAUTION!

Damage to the instrument through improper commissioning

- The force introduction is carried out via a platform mounted on the single point load cell. The load can be positioned anywhere on this platform. Pay attention to the platform size, see chapter 9 "Specifications".
- Avoid too high torsional and transverse forces. Torsional torques and transverse loads or lateral forces cause measuring errors and may permanently damage the single point load cell.
- During installation of the single point load cell, the output signal (force value) must always be monitored to avoid mechanical overload.
- The single point load cell may only be loaded in the intended load direction, see chapter 3 "Product label".
- Incorrect loads in the wrong load direction can permanently damage the single point load cell.
- An overload must be excluded at all times.
- When assembling, ensure that the single point load cell has sufficient spring displacement, see chapter 5.3 "Assembly". If necessary, use a spacer part.
- The max. torque for fastening the single point load cell must be observed, see chapter 9 "Specifications".
- If necessary, a limit stop must be used as overload protection when installing the load cell.

5.3 Mounting the single point load cell

EN



- ① Single point load cell
- ② Mounting surface
- ③ Platform
- ④ Spacer part
- ⑤ Spring displacement

- Screw the underside of the single point load cell ① to the mounting surface ② and make sure that the opposite side of the single point load cell does not rest on the mounting surface (no force shunt).
- If necessary, use a spacer part ④. The thickness of the spacer part corresponds to the spring displacement ⑤.
- Align the platform ③ so that the centre of the platform corresponds with the centre of the single point load cell ①.
- Screw the upper side of the single point load cell ① to the platform and make sure that the opposite side of the single point load cell has no contact with the platform (no force shunt).
- If necessary, use a spacer part ④.

5. Commissioning, operation

EN

5.4 Electrical connection

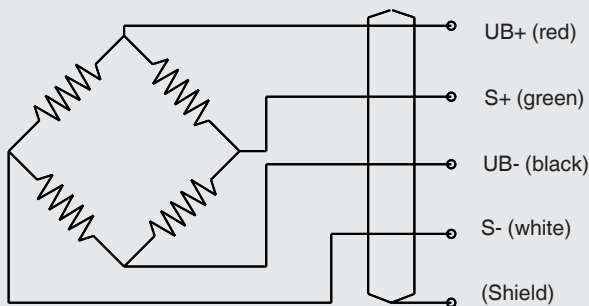
To prevent interferences from coupling into the system, observe the following information:

- A shielded, low-capacitance measuring cable is attached to the single point load cell.
- Ground the shield of the measuring cable.
- Avoid stray fields of transformers, motors and contactors.
- When using extensions, only shielded and low-capacitance cables should be used. The permitted maximum and minimum lengths of cable are defined in ISO 11898-2. Care should be taken also to ensure a high-quality connection of the shielding.
- Do not install measuring cables in parallel to 3-phase-current cables and control cables.
- Single point load cell, amplifiers and processing or display units must not be grounded several times.

The pin assignment of the cable can be found on the product label.

5.4.1 Cable pin assignment

Electrical connection		
Supply voltage (+)	UB+ or E+	Red
Supply voltage (-)	UB- or E-	Black
Signal (+)	S+	Green
Signal (-)	S-	White
Shield ⊕	Shield ⊕	Shield



6. Faults



CAUTION!

Physical injuries, damage to property

If faults cannot be eliminated by means of the listed measures, the single point load cell must be taken out of operation immediately.

- ▶ Contact the manufacturer.
- ▶ If a return is needed, please follow the instructions given in chapter 8.2 “Return”.



For contact details see chapter 1 “General information” or the back page of the operating instructions.

Faults	Causes	Measures
No output signal	No or wrong supply voltage, current pulse	Rectify the supply voltage
	Cable break	Check the continuity
No or wrong output signal	Wrong cable assignment	Check cable assignment
Deviating zero point signal	Overload, load offset, wrong connection	Consult the manufacturer
Deviating output signal	Cable too long	Consult the manufacturer
Constant output signal when changing force	Wrong cable assignment	Check cable assignment
	Mechanical overload	Consult the manufacturer
Signal span drops/too small	Mechanical overload	Consult the manufacturer

Defective instruments must be returned to the manufacturer.

7. Maintenance and cleaning



For contact details see chapter 1 “General information” or the back page of the operating instructions.

7.1 Maintenance

This instrument is maintenance-free.

Repairs must only be carried out by the manufacturer.

Only use original parts (see chapter 10 “Accessories”).

7.2 Cleaning

1. Prior to cleaning, disconnect the single point load cell from the voltage supply and dismantle it.
2. Clean the single point load cell with a cloth.

Electrical connections must not come into contact with moisture!



CAUTION!

Damage to the instrument

Improper cleaning may lead to damage to the instrument!

- ▶ Do not use any aggressive cleaning agents.
- ▶ Do not use any hard or pointed objects for cleaning.

EN

8. Dismounting, return and disposal

8.1 Dismounting

Remove load from the single point load cell, disconnect it from the power and remove from the mounting situation.

8.2 Return

Strictly observe the following when shipping the instrument:

All instruments delivered to WIKA must be free from any kind of hazardous substances (acids, bases, solutions, etc.) and must therefore be cleaned before being returned.

When returning the instrument, use the original packaging or a suitable transport packaging.

To avoid damage:

1. Wrap the instrument in an antistatic plastic film.
2. Place the instrument, along with the shock-absorbent material, in the packaging.
Place shock-absorbent material evenly on all sides of the transport packaging.
3. If possible, place a bag containing a desiccant inside the packaging.
4. Label the shipment as carriage of a highly sensitive measuring instrument.



Information on returns can be found under the heading "Service" on our local website.

8.3 Disposal

Incorrect disposal can put the environment at risk.

Dispose of instrument components and packaging materials in an environmentally compatible way and in accordance with the country-specific waste disposal regulations.



Do not dispose of with household waste. Ensure a proper disposal in accordance with national regulations.

9. Specifications

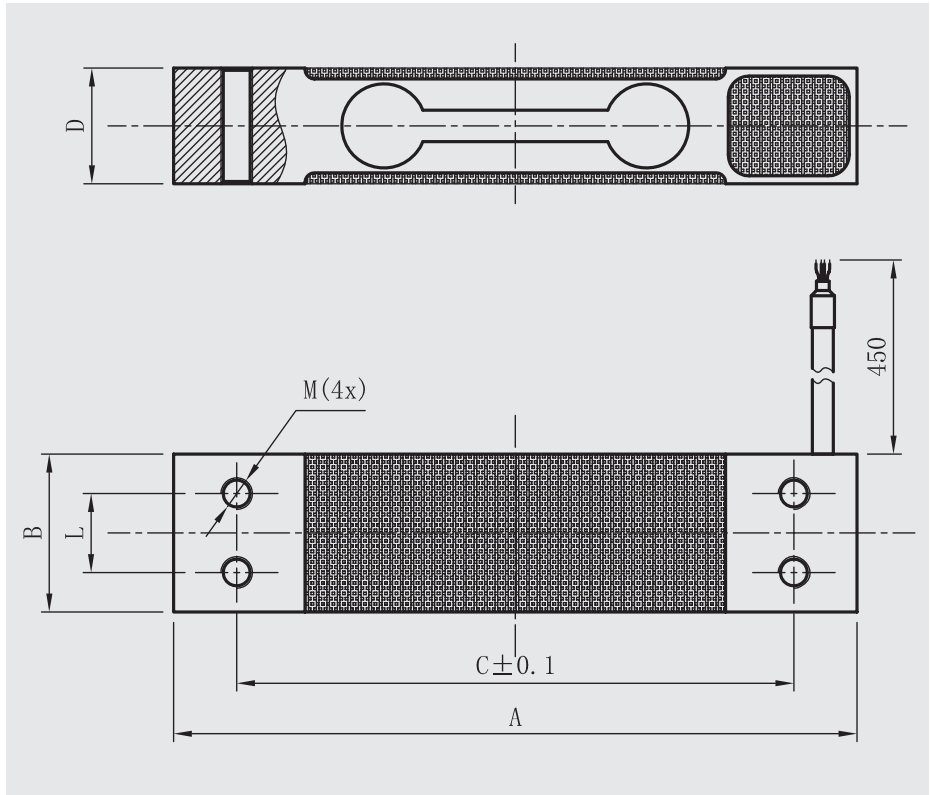
9. Specifications

EN

Model F4801	
Rated load F_{nom}	3 / 4 / 5 / 6 / 8 / 10 / 15 / 20 / 25 / 30 / 40 / 45 / 50 / 60 / 100 / 150 / 200 / 250 kg
Relative linearity error d_{lin}	$\pm 0.02 \% F_{nom}$
Relative creep, 30 min.	$\pm 0.02 \% F_{nom}$
Relative reversibility error v	$\pm 0.02 \% F_{nom}$
Relative deviation of zero signal $d_{S, 0}$	$\pm 2 \% F_{nom}$
Temperature effect on the zero signal TC_0	$\leq \pm 0.02 \% / 10 ^\circ C$
Temperature effect on the characteristic value TC_C	$\leq \pm 0.02 \% / 10 ^\circ C$
Limit force F_L	150 % F_{nom}
Breaking force F_B	200 % F_{nom}
Material of the measuring body	Aluminium
Rated temperature range $B_{T, nom}$	-10 ... +40 °C
Service temperature range $B_{T, G}$	-20 ... +60 °C
Input resistance R_e	410 \pm 10 Ω
Output resistance R_a	350 \pm 5 Ω
Insulation resistance R_{is}	$\geq 2,000 M\Omega / DC 100 V$
Output signal (rated characteristic value) C_{nom}	2.0 \pm 1 % mV/V
Electrical connection	Measuring cable \varnothing 3 x 450 mm
Supply voltage B_U, nom	DC 10 V (max. 15 V)
Ingress protection (per IEC/EN 60529)	IP65
Platform size	max. 250 x 300 mm
Weight	
3 to 50 kg	0.3 kg
60 to 250 kg	0.4 kg

ADPR1X914110.01 07/2021 EN/DE

Dimensions model F4801



Rated load in kg	Dimensions in mm						Tightening torque
	A	B	C	D	L	M	
3 / 4 / 5 / 6 / 8 / 10 / 15 / 20 / 25 / 30 / 40 / 45 / 50	130	30	106	22	15	M6	10 Nm
60 / 100 / 150 / 200 / 250	130	50	106	22	25	M8	24 Nm

9. Specifications

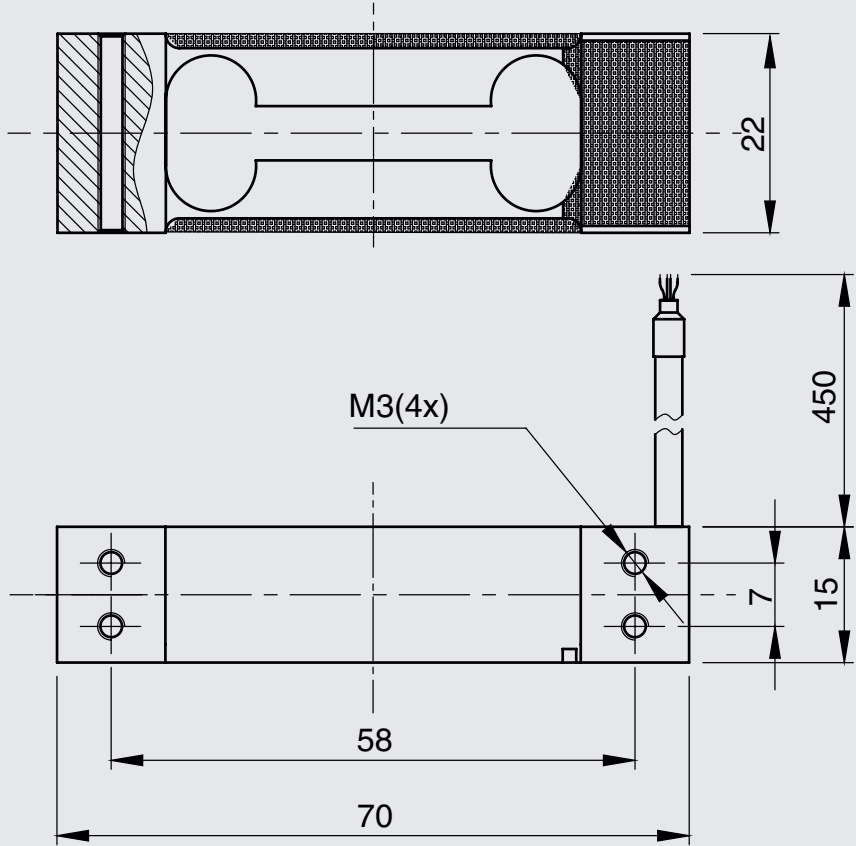
EN

Model F4802	
Rated load F_{nom}	0.3 / 0.5 / 1 / 1.5 / 2 / 3 / 4 / 5 / 10 kg
Relative linearity error d_{lin}	$\pm 0.02 \% F_{nom}$
Relative reversibility error v	$\pm 0.02 \% F_{nom}$
Relative span in unchanged mounting position b_{rg}	$\pm 0.02 \% F_{nom}$
Relative deviation of zero signal $d_{S, 0}$	$\pm 2 \% F_{nom}$
Relative creep, 30 min.	$\pm 0.02 \% F_{nom}$
Temperature effect on the zero signal TC_0	$\leq \pm 0.025 \% / 10 \text{ }^\circ\text{C}$
Temperature effect on the characteristic value TC_C	$\leq \pm 0.025 \% / 10 \text{ }^\circ\text{C}$
Limit force F_L	150 % F_{nom}
Breaking force F_B	200 % F_{nom}
Material of the measuring body	Aluminium
Rated temperature range $B_{T, nom}$	-10 ... +40 °C
Service temperature range $B_{T, G}$	-20 ... +60 °C
Input resistance R_e	410 \pm 10 Ω
Output resistance R_a	350 \pm 5 Ω
Insulation resistance R_{is}	$\geq 2,000 \text{ M}\Omega / \text{DC } 100 \text{ V}$
Output signal (rated characteristic value) C_{nom}	2.0 \pm 1 % mV/V
Electrical connection	Measuring cable $\varnothing 3 \times 450 \text{ mm}$
Supply voltage $B_{U, nom}$	DC 10 V (max. 15 V)
Ingress protection (per IEC/EN 60529)	IP65
Platform size	max. 200 x 200 mm
Weight	0.1 kg

9. Specifications

EN

Dimensions model F4802



Tightening torque for M3: 1 Nm

Dimensions in mm

9. Specifications

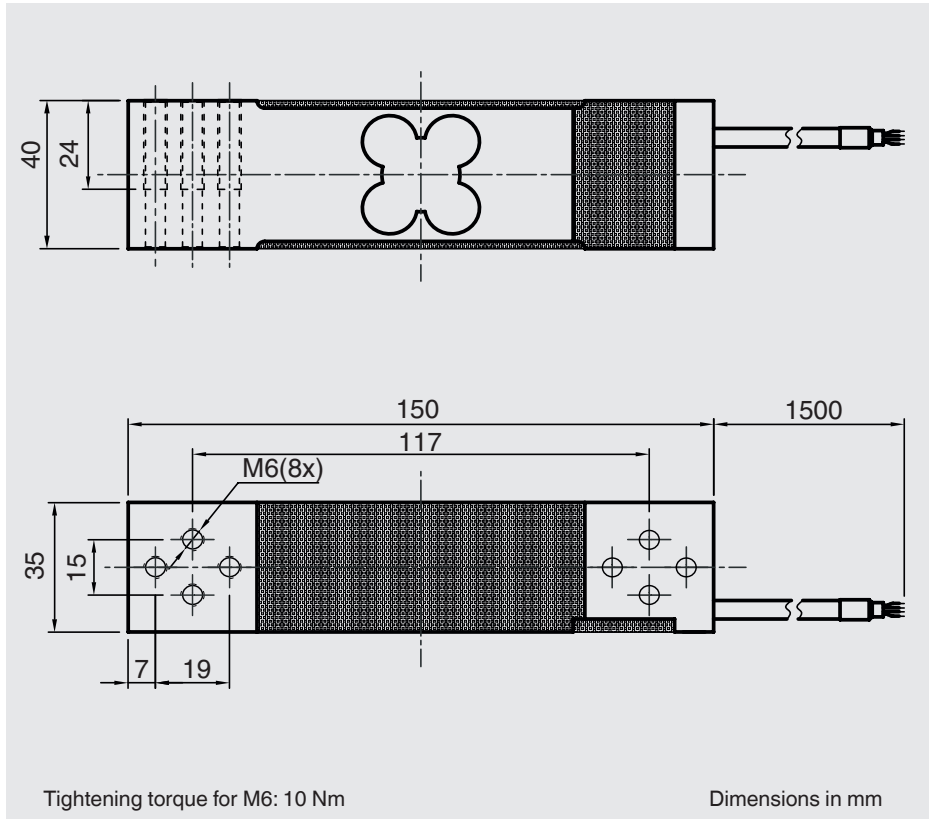
EN

Model F4818	
Rated load F_{nom} kg	20, 30, 50, 60, 100, 150, 200, 250, 300, 350, 500
Relative linearity error d_{lin}	$\pm 0.02 \% F_{nom}$
Relative creep, 30 min.	$\pm 0.02 \% F_{nom}$
Relative reversibility error v	$\pm 0.02 \% F_{nom}$
Relative deviation of zero signal $d_{S, 0}$	$\pm 2 \% F_{nom}$
Temperature effect on the zero signal TC_0	$\leq \pm 0.025 \% / 10^\circ C$
Temperature effect on the characteristic value TC_C	$\leq \pm 0.025 \% / 10^\circ C$
Limit force F_L	120 % F_{nom}
Breaking force F_B	200 % F_{nom}
Material of the measuring body	Aluminium
Rated temperature range $B_{T, nom}$	-10 ... +40 °C
Service temperature range $B_{T, G}$	-20 ... +60 °C
Input resistance R_e	410 \pm 10 Ω
Output resistance R_a	350 \pm 5 Ω
Insulation resistance R_{is}	$\geq 2,000 M\Omega / DC 100 V$
Output signal (rated characteristic value) C_{nom}	2.0 \pm 10 % mV/V
Electrical connection	Measuring cable $\varnothing 5 \times 1,500$ mm
Supply voltage $B_{U, nom}$	10 V (max. 15 V)
Ingress protection (per IEC/EN 60529)	IP65
Platform size	max. 450 x 450 mm
Weight in kg	0.6



9. Specifications

EN

Dimensions model F4818



9.1 Approvals

Logo	Description	Country
	EU declaration of conformity <ul style="list-style-type: none"> ■ EMC directive ■ RoHS directive 	European Union
	EAC <ul style="list-style-type: none"> ■ EMC directive 	Eurasian Economic Community

ADPR1X914110.01 07/2021 EN/DE

10. Accessories

WIKA accessories can be found online at www.wika.com.

EN

10.1 Cable

Cable with circular connector M12 x 1

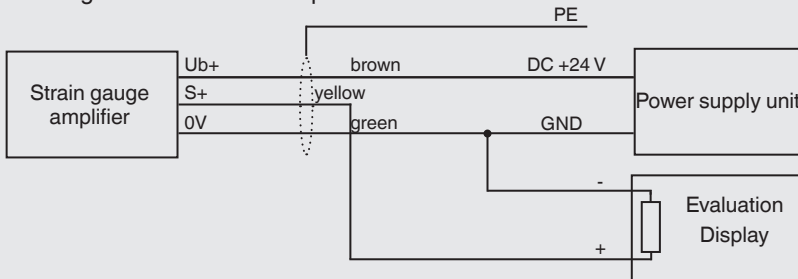
Cable socket M12 x 1		Order number		
		Length 2 m	Length 5 m	Length 10 m
4-pin with cable	straight	EZE53X011010	EZE53X011012	EZE53X011016
	angled	EZE53X011011	EZE53X011013	EZE53X011017
5-pin with cable	straight	EZE53X011043	EZE53X011044	EZE53X011047
	angled	EZE53X011045	EZE53X011046	EZE53X011071

Other cable lengths and cable types are available on request.

10.2 Cable amplifier B1940



Pin assignment with cable amplifier



- SG amplifier integrated into the measuring line (cable amplifier)
- Output signal 0/4 ... 20 mA or DC 0 ... ±10 V or DC 0 ... ±5 V (3-wire)
- Linearity <0.01 % of full scale
- Limit frequency up to 1 kHz (-3db)
- Required supply voltage DC 18 ... 30 V
- Compact construction
- Fully built in and adjusted at the factory in accordance with customer requirements
- Ingress protection IP67

10.3 E1932 strain gauge weighing electronics



- Strain gauge input up to 3 mV/V (4- and 6-wire)
- Optional 4 ... 20 mA / DC 0 ... 10 V input (passive)
- Very well readable LC display (20 mm high digits), backlit, 6-digit, selectable units g, kg, lb or t
- Function buttons: Zero, Tare, Gross/Net, Print
- E1932X200 with additional function buttons, programmable for one of the integrated functions (count, hold, hold peak value, live weighing, summing)
- 2 limit value contacts (from E1932X200)
- Integrated RS-232 interface (from E1932X200)
- Optional 4 ... 20 mA / DC 0 ... 10 V output (in place of RS-232) (from E1932X200/ E1932X300)
- Configurable print format in combination with date/hour (from E1932X200)
- 1 control input for remote operation (from E1932X200)
- Different case variants: Panel mounting, table or wall-mounting case (up to IP65)
- AC, DC and battery or rechargeable battery operation
- Wide-band DC operation (DC 7 ... 24 V)
- Battery/rechargeable battery option possible (DC 4.8 ... 24 V) – optimal for a number of mobile applications

10.4 B6578 junction box



- 4-channel
- Rugged stainless steel case
- Cable connection via clamps
- IP67

10.5 Large display for mA or V signals E1931X800

EN



- SG large display with LED display for panel mounting
- LED 5-digit, 100 mm high, red, readable from 50 m
- For input signals 0/4 ... 20 mA 2- or 3-wire and DC 0 ... 10 V
- Freely programmable via remote button control
- 2 or 4 freely programmable limit value contacts
- Freely programmable analogue output (0/4 ... 20 mA / DC 0 ... 10 V)
- Digital output signal over RS-232 or RS-485 serial interface
- 3 logic inputs for remote control
- Limit frequency up to 5 Hz for quasi static applications
- Accuracy 0.03 % of full scale
- Up to 4 strain gauge sensors with 350 Ohm can be connected in parallel
- Bridge supply 5 or 10 VDC
- Required supply voltage AC 85 ... 250 V
- Operator and service-friendly due to large screw terminals, remote button operation and LED display
- IP65 ingress protection from the front when built in
- Optional with robust surround case with IP65



EN

EU-Konformitätserklärung EU Declaration of Conformity

Dokument Nr.: ADEUKX300007.01
Document No.:

Wir erklären in alleiniger Verantwortung, dass die mit CE gekennzeichneten Produkte
We declare under our sole responsibility that the CE marked products

Typenbezeichnung: F4801*, F4802*, F4818*
Type Designation:

Beschreibung: Plattformwägezelle
Description: Single point load cell

gemäß gültigem Datenblatt:
according to the valid data sheet: FO 53.10, FO 53.13, FO 53.14

die wesentlichen Schutzanforderungen der folgenden Richtlinien erfüllen: Harmonisierte Normen:
comply with the essential protection requirements of the directives: Harmonized standards:

2011/65/EU	Gefährliche Stoffe (RoHS)	EN 50581:2012
2015/863	Hazardous substances (RoHS)	
2014/30/EU	Elektromagnetische Verträglichkeit (EMV) ⁽¹⁾	EN 61326-1:2013
	Electromagnetic Compatibility (EMC) ⁽¹⁾	EN 61326-2-1:2013

(1) Für optional eingebaute Transmitter oder Anzeigen gelten deren EU-Konformitätserklärungen und die darin gelisteten Normen.
For optional built-in transmitters and indicators their respective EU declarations of conformity and the therein listed standards apply.

Unterschiedet für und im Namen von / Signed for and on behalf of

tecsis GmbH

Offenbach, 2020-06-03

Stefan Richter, Managing Director

Michael Kirsch, Quality Manager

tecsis GmbH
Carl-Legien-Str. 40 - 44
63073 Offenbach am Main
Germany

Tel. +49 69 5806-0
Fax +49 69 5806-7788
E-Mail info@tecsis.de
www.tecsis.de

Sitz Offenbach - Offenbach am Main
Registernummer: HR B 40169
Geschäftsführer: Stefan Richter u. Thomas Steinbacher

ADPR1X914110.01 07/2021 EN/DE

Inhalt

1. Allgemeines	28
2. Aufbau und Funktion	29
2.1 Übersicht	29
2.2 Beschreibung	29
2.3 Lieferumfang	29
3. Sicherheit	30
3.1 Symbolerklärung	30
3.2 Bestimmungsgemäße Verwendung	30
3.3 Fehlgebrauch	31
3.4 Verantwortung des Betreibers.	31
3.5 Personalqualifikation.	32
3.6 Persönliche Schutzausrüstung	32
3.7 Beschilderung, Sicherheitskennzeichnungen	33
4. Transport, Verpackung und Lagerung	34
4.1 Transport.	34
4.2 Verpackung und Lagerung.	34
5. Inbetriebnahme, Betrieb	35
5.1 Montagevorbereitung	35
5.2 Montagehinweise	35
5.3 Montage der Plattformwägezelle.	36
5.4 Elektrischer Anschluss	37
6. Störungen	38
7. Wartung und Reinigung	38
7.1 Wartung	38
7.2 Reinigung	38
8. Demontage, Rücksendung und Entsorgung	39
8.1 Demontage	39
8.2 Rücksendung	39
8.3 Entsorgung	39
9. Technische Daten	40
9.1 Zulassungen	45
10. Zubehör	46
10.1 Kabel	46
10.2 Kabelmessverstärker B1940	46
10.3 DMS-Wägeelektronik E1932	47
10.4 Anschlusskasten B6578	47
10.5 Großanzeige für mA- oder V-Signale E1931X800	48
Anlage: EU-Konformitätserklärung	49

DE

1. Allgemeines

- Die in der Betriebsanleitung beschriebenen Plattformwägezellen werden nach dem aktuellen Stand der Technik konstruiert und gefertigt. Alle Komponenten unterliegen während der Fertigung strengen Qualitäts- und Umweltkriterien. Unsere Managementsysteme sind nach ISO 9001 zertifiziert.
- Diese Betriebsanleitung gibt wichtige Hinweise zum Umgang mit dem Gerät. Voraussetzung für sicheres Arbeiten ist die Einhaltung aller angegebenen Sicherheitshinweise und Handlungsanweisungen.
- Die für den Einsatzbereich des Gerätes geltenden örtlichen Unfallverhütungsvorschriften und allgemeinen Sicherheitsbestimmungen einhalten.
- Die Betriebsanleitung ist Produktbestandteil und muss in unmittelbarer Nähe des Gerätes für das Fachpersonal jederzeit zugänglich aufbewahrt werden. Betriebsanleitung an nachfolgende Benutzer oder Besitzer des Gerätes weitergeben.
- Das Fachpersonal muss die Betriebsanleitung vor Beginn aller Arbeiten sorgfältig durchgelesen und verstanden haben.
- Es gelten die allgemeinen Geschäftsbedingungen in den Verkaufsunterlagen.
- Technische Änderungen vorbehalten.

Weitere Informationen:

- Internet-Adresse: www.wika.de
- Zugehöriges Datenblatt: FO 53.10 (Typ F4801)
FO 53.13 (Typ F4802)
FO 53.14 (Typ F4818)
- Anwendungsberater: Tel.: +49 9372 132-0
Fax: +49 9372 132-406
info@wika.de

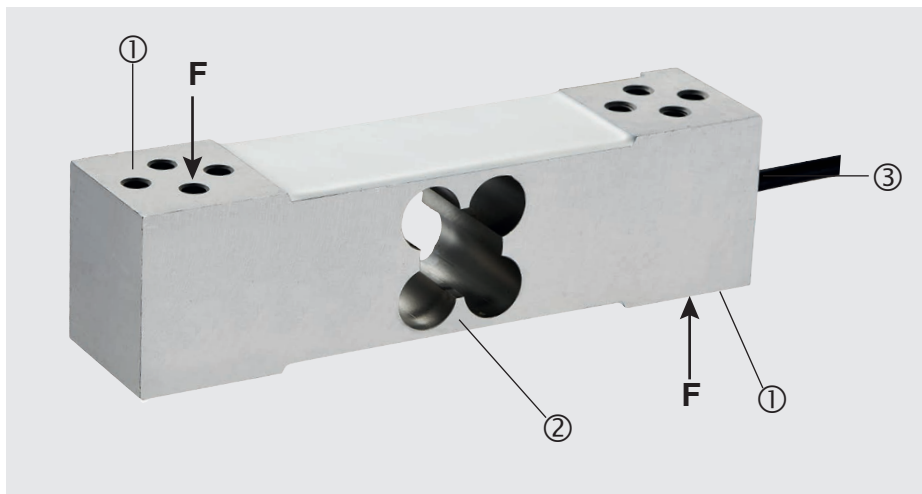
Abkürzungen, Definitionen

4-Leiter	Zwei Anschlussleitungen zur Spannungsversorgung Eine Anschlussleitung für das Messsignal
UB+	Positiver Versorgungsanschluss
UB-	Negativer Versorgungsanschluss
S+	Positiver Messanschluss
S-	Negativer Messanschluss
Schirm	Gehäuse
DMS	Dehnungsmessstreifen

2. Aufbau und Funktion

2.1 Übersicht

- ① Krafteinleitung
- ② Messfeder
- ③ Elektrischer Anschluss



2.2 Beschreibung

Die Plattformwägezelle ist für das Messen statischer Druckkräfte in wägetechnischen Anwendungen vorgesehen. Die Plattformwägezelle besteht aus einer Messfeder auf der vier Dehnungsmessstreifen (DMS) aufgebracht sind. Der Messkörper ist aus Aluminium gefertigt und wird durch in die Kraftrichtung eingeleitete Kraft elastisch verformt. Die entstehenden mechanischen Spannungen werden dabei durch die Dehnungsmessstreifen gemessen und als elektrisches Ausgangssignal ausgegeben.

Die DMS sind so angeordnet, dass zwei von ihnen gedehnt und die beiden anderen gestaucht werden, wenn eine Kraft auf die Plattformwägezelle einwirkt.

Die Plattformwägezellenschaltung enthält Korrektur- und Kompensationswiderstände, um unerwünschte Einflüsse auf Nullsignal und Kennwert zu beseitigen.

2.3 Lieferumfang

- Plattformwägezelle
- Betriebsanleitung

3. Sicherheit

3.1 Symbolerklärung

DE



WARNUNG!

... weist auf eine möglicherweise gefährliche Situation hin, die zum Tod oder zu schweren Verletzungen führen kann, wenn sie nicht gemieden wird.



VORSICHT!

... weist auf eine möglicherweise gefährliche Situation hin, die zu geringfügigen oder leichten Verletzungen bzw. Sach- und Umweltschäden führen kann, wenn sie nicht gemieden wird.



Information

... hebt nützliche Tipps und Empfehlungen sowie Informationen für einen effizienten und störungsfreien Betrieb hervor.

3.2 Bestimmungsgemäße Verwendung

Die Plattformwägezellen sind für das Messen statischer Kräfte vorgesehen.

Typ	Ausführung/Messbereiche
F4801	0 ... 3 kg bis 0 ... 250 kg
F4802	0 ... 0,3 kg bis 0 ... 10 kg
F4818	0 ... 20 kg bis 0 ... 500 kg

Diese Geräte sind gemäß den Sicherheitsbestimmungen für elektronische Messgeräte gebaut und geprüft. Jeder darüber hinausgehende Gebrauch gilt als nicht bestimmungsgemäß. Die einwandfreie Funktion und Betriebssicherheit der Plattformwägezelle kann nur bei Einhaltung der Angaben in der Betriebsanleitung garantiert werden. Bei der Verwendung sind zusätzlich die für den jeweiligen Anwendungsfall erforderlichen Rechts- und Sicherheitsvorschriften zu beachten (z. B. VDE 0100). Sinngemäß gilt dies auch bei Verwendung von Zubehör. Der einwandfreie und sichere Betrieb dieser Plattformwägezelle setzt sachgemäßen Transport, fachgerechte Lagerung, Aufstellung und Montage sowie sorgfältige Bedienung und Instandhaltung voraus.

Das Gerät ist ausschließlich für den hier beschriebenen bestimmungsgemäßen Verwendungszweck konzipiert und konstruiert und darf nur dementsprechend verwendet werden. Die technischen Spezifikationen in dieser Betriebsanleitung sind einzuhalten. Eine unsachgemäße Handhabung oder ein Betreiben des Gerätes außerhalb der technischen Spezifikationen macht die sofortige Stilllegung und Überprüfung durch einen autorisierten Servicemitarbeiter erforderlich.

Elektronische Präzisionsmessgeräte mit erforderlicher Sorgfalt behandeln (vor Nässe, Stößen, starken Magnetfeldern, statischer Elektrizität und extremen Temperaturen schützen, keine Gegenstände in das Gerät bzw. Öffnungen einführen). Stecker und Buchsen vor Verschmutzung schützen.

Ansprüche jeglicher Art aufgrund von nicht bestimmungsgemäßer Verwendung sind ausgeschlossen.

3.3 Fehlgebrauch



WARNUNG!

Verletzungen durch Fehlgebrauch

Fehlgebrauch des Gerätes kann zu gefährlichen Situationen und Verletzungen führen.

- ▶ Eigenmächtige Umbauten am Gerät unterlassen.

Jede über die bestimmungsgemäße Verwendung hinausgehende oder andersartige Benutzung gilt als Fehlgebrauch.

3.4 Verantwortung des Betreibers

Das Gerät wird im gewerblichen Bereich eingesetzt. Der Betreiber unterliegt daher den gesetzlichen Pflichten zur Arbeitssicherheit.

Die Sicherheitshinweise dieser Betriebsanleitung, sowie die für den Einsatzbereich des Gerätes gültigen Sicherheits-, Unfallverhütungs- und Umweltschutzvorschriften einhalten.

Der Betreiber ist verpflichtet das Typenschild lesbar zu halten.

Für ein sicheres Arbeiten am Gerät muss der Betreiber sicherstellen,

- dass eine entsprechende Erste-Hilfe-Ausrüstung vorhanden ist und bei Bedarf jederzeit Hilfe zur Stelle ist.
- dass das Elektrofachpersonal regelmäßig in allen zutreffenden Fragen von Arbeitssicherheit, Erste Hilfe und Umweltschutz unterwiesen wird, sowie die Betriebsanleitung und insbesondere die darin enthaltenen Sicherheitshinweise kennt.
- dass das Gerät gemäß der bestimmungsgemäßen Verwendung für den Anwendungsfall geeignet ist.
- dass die persönliche Schutzausrüstung verfügbar ist.

3.5 Personalqualifikation



WARNUNG!

Verletzungsgefahr bei unzureichender Qualifikation

Unsachgemäßer Umgang kann zu erheblichen Personen- und Sachschäden führen.

- ▶ Die in dieser Betriebsanleitung beschriebenen Tätigkeiten nur durch Fachpersonal nachfolgend beschriebener Qualifikation durchführen lassen.

Elektrofachpersonal

Das Elektrofachpersonal ist aufgrund seiner fachlichen Ausbildung, Kenntnisse und Erfahrungen sowie Kenntnis der landesspezifischen Vorschriften, geltenden Normen und Richtlinien in der Lage, Arbeiten an elektrischen Anlagen auszuführen und mögliche Gefahren selbstständig zu erkennen und zu vermeiden. Das Elektrofachpersonal ist speziell für das Arbeitsumfeld, in dem es tätig ist, ausgebildet und kennt die relevanten Normen und Bestimmungen. Das Elektrofachpersonal muss die Bestimmungen der geltenden gesetzlichen Vorschriften zur Unfallverhütung erfüllen.

3.6 Persönliche Schutzausrüstung

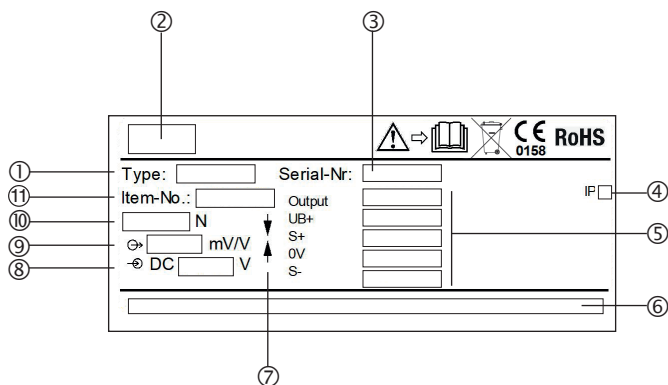
Anforderungen an benötigte Schutzausrüstung ergeben sich aus den Umgebungsbedingungen am Ort der Nutzung, anderen Produkten oder der Verknüpfung mit anderen Produkten.

Die erforderliche persönliche Schutzausrüstung muss vom Betreiber zur Verfügung gestellt werden. Der Betreiber wird durch diese Vorschläge in keinster Weise von seinen arbeitsrechtlichen Pflichten zur Sicherheit und dem Schutz der Gesundheit der Arbeitnehmer entbunden.

Die Bemessung der persönlichen Schutzausrüstung muss unter Berücksichtigung aller Betriebsparameter des Einsatzortes erfolgen.

3.7 Beschilderung, Sicherheitskennzeichnungen

Typenschild



- ① Typ
- ② Herstellerlogo
- ③ Seriennummer
- ④ Schutzart gem. DIN EN 60259
- ⑤ Anschlussbelegung
- ⑥ Herstelleradresse
- ⑦ Krafrichtung
- ⑧ Speisespannung
- ⑨ Ausgangssignal
- ⑩ Messbereich
- ⑪ Produktcode

4. Transport, Verpackung und Lagerung

4.1 Transport

Die Plattformwägezelle auf eventuell vorhandene Transportschäden untersuchen. Offensichtliche Schäden unverzüglich mitteilen.

DE



VORSICHT!

Beschädigungen durch unsachgemäßen Transport

Bei unsachgemäßem Transport können Sachschäden in erheblicher Höhe entstehen.

- ▶ Beim Abladen der Packstücke bei Anlieferung sowie innerbetrieblichem Transport vorsichtig vorgehen und die Symbole auf der Verpackung beachten.
- ▶ Bei innerbetrieblichem Transport die Hinweise unter Kapitel 4.2 „Verpackung und Lagerung“ beachten.

Als Präzisionsmessgeräte verlangen die Plattformwägezellen beim Transport und der Montage eine sorgfältige Handhabung. Laststöße während des Transports (z. B. Aufschlag auf harten Untergrund) können zu bleibenden Schäden führen, die im späteren Messbetrieb zu Messfehlern führen.

4.2 Verpackung und Lagerung

Verpackung erst unmittelbar vor der Montage entfernen.

Die Verpackung aufbewahren, denn diese bietet bei einem Transport einen optimalen Schutz (z. B. wechselnder Einbauort, Reparatursendung).

Die Messfeder ist vollständig aus Aluminium hergestellt und entspricht der Schutzart IP65.

Zulässige Bedingungen am Lagerort:

- Lagertemperatur: -20 ... +60 °C
- Feuchtigkeit: 35 ... 85 % relative Feuchte (keine Betauung)

Folgende Einflüsse vermeiden:

- Mechanische Vibration, mechanischer Schock (hartes Aufstellen)
- Staub, Schmutz und sonstige Gegenstände dürfen sich nicht so ablagern, dass sie einen Kraftnebenschluss zur Messfeder bilden, da dadurch das Messsignal verfälscht wird.

5. Inbetriebnahme, Betrieb

5.1 Montagevorbereitung

- Plattformwägezellen sind empfindliche Messgeräte und entsprechend sorgsam zu behandeln.
- Bei der Inbetriebnahme der Plattformwägezelle muss auf eine ebene, saubere und fettfreie Montagefläche geachtet werden.

5.2 Montagehinweise



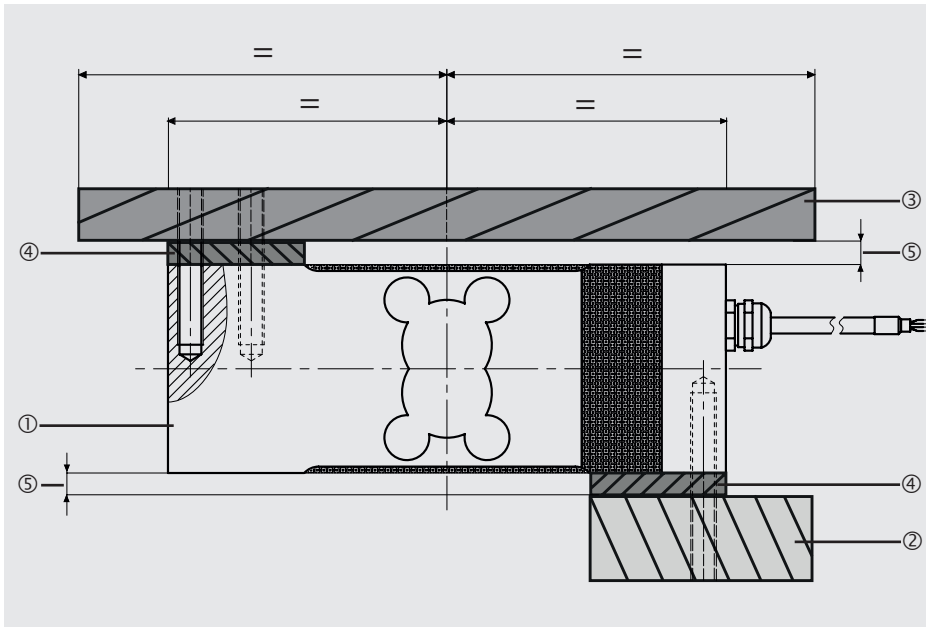
VORSICHT!

Beschädigung des Gerätes durch unsachgemäße Inbetriebnahme

- Die Krafteinleitung erfolgt über eine auf die Plattformwägezelle montierte Plattform. Die Last kann auf dieser Plattform beliebig positioniert werden. Auf die Plattformgröße ist zu achten, siehe Kapitel 9 „Technische Daten“.
- Zu hohe Torsions- und Querkräfte sind zu vermeiden. Torsionsmomente und Querbelastungen bzw. Seitenkräfte verursachen Messfehler und können die Plattformwägezelle bleibend schädigen.
- Während des Einbaus der Plattformwägezelle ist das Ausgangssignal (Kraftwert) stets zu überwachen, um eine mechanische Überlastung zu vermeiden.
- Die Plattformwägezelle darf nur in der vorgesehenen Belastungsrichtung belastet werden, siehe Kapitel 3 „Typenschild“.
- Fehlbelastungen in die falsche Belastungsrichtung können die Plattformwägezelle bleibend schädigen.
- Eine Überlastung ist zu jeder Zeit auszuschließen.
- Bei der Montage darauf achten, dass die Plattformwägezelle genügend Federweg hat, siehe Kapitel 5.3 „Montage“. Gegebenenfalls Distanzstücke verwenden.
- Das max. Drehmoment zur Befestigung der Plattformwägezelle ist zu beachten, siehe Kapitel 9 „Technische Daten“.
- Gegebenenfalls ist bei der Montage der Wägezelle ein Anschlag als Überlastschutz zu verwenden.

5.3 Montage der Plattformwägezelle

DE



- ① Plattformwägezelle
- ② Montagefläche
- ③ Plattform
- ④ Distanzstück
- ⑤ Federweg

- Die Unterseite der Plattformwägezelle ① mit der Montagefläche ② verschrauben und dabei darauf achten, dass die gegenüberliegende Seite der Plattformwägezelle nicht auf der Montagefläche aufliegt (kein Kraftnebenschluss).
- Gegebenenfalls Distanzstücke ④ verwenden. Die Dicke des Distanzstücks entspricht dem Federweg ⑤.
- Die Plattform ③ so ausrichten, dass die Mitte der Plattform der Mitte der Plattformwägezelle ① entspricht.
- Die Oberseite der Plattformwägezelle ① mit der Plattform verschrauben und dabei darauf achten, dass die gegenüberliegende Seite der Plattformwägezelle keinen Kontakt mit der Plattform hat (kein Kraftnebenschluss).
- Gegebenenfalls Distanzstücke ④ verwenden.

5.4 Elektrischer Anschluss

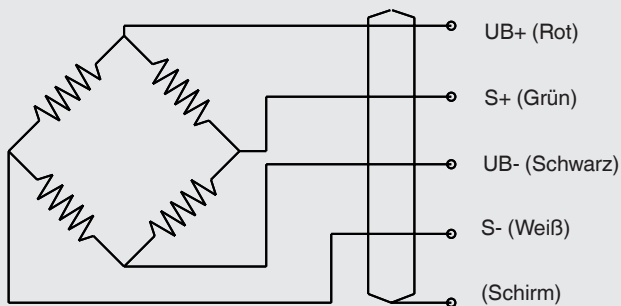
Um Einkopplungen von Störungen zu vermeiden, sind folgende Hinweise zu beachten:

- Ein abgeschirmtes, kapazitätsarmes Messkabel ist an der Plattformwägezelle angebaut.
- Den Schirm des Messkabels erden.
- Streufelder von Transformatoren sowie Motoren und Schützen vermeiden.
- Beim Verlängern dürfen nur abgeschirmte und kapazitätsarme Kabel verwendet werden. Die erlaubten maximalen und minimalen Längen des Kabels sind in der ISO 11898-2 angegeben. Dabei ist auf eine hochwertige Verbindung auch der Abschirmung zu achten.
- Messkabel nicht parallel zu Starkstrom- und Steuerleitungen legen.
- Plattformwägezelle, Verstärker und Verarbeitungs- bzw. Anzeigeeinheit dürfen nicht mehrfach geerdet werden.

Die Anschlussbelegung des Kabels sind dem Typenschild zu entnehmen.

5.4.1 Anschlussbelegung Kabel

Elektrischer Anschluss		
Hilfsenergie (+)	UB+ bzw. E+	Rot
Hilfsenergie (-)	UB- bzw. E-	Schwarz
Signal (+)	S+	Grün
Signal (-)	S-	Weiß
Schirm ⊕	Schirm ⊕	Schirm



6. Störungen



VORSICHT!

Körperverletzungen, Sachschäden

Können Störungen mit Hilfe der aufgeführten Maßnahmen nicht beseitigt werden, die Plattformwägezelle unverzüglich außer Betrieb setzen.

- ▶ Kontakt mit dem Hersteller aufnehmen.
- ▶ Bei notwendiger Rücksendung die Hinweise unter Kapitel 8.2 „Rücksendung“ beachten.

DE



Kontaktdaten siehe Kapitel 1 „Allgemeines“ oder Rückseite der Betriebsanleitung.

Störungen	Ursachen	Maßnahmen
Kein Ausgangssignal	Keine oder falsche Hilfsenergie, Stromstoß	Hilfsenergie korrigieren
	Leitungsbruch	Durchgang überprüfen
Kein oder falsches Ausgangssignal	Falsche Kabelbelegung	Kabelbelegung prüfen
Abweichendes Nullpunkt-Signal	Überlast, Last-Offset, falscher Anschluss	Rücksprache mit Hersteller
Abweichendes Ausgangssignal	Kabel zu lang	Rücksprache mit Hersteller
Gleichbleiben des Ausgangssignals bei Kraftänderung	Falsche Kabelbelegung	Kabelbelegung prüfen
	Mechanische Überlastung	Rücksprache mit Hersteller
Spannungspanne fällt ab/zu klein	Mechanische Überlastung	Rücksprache mit Hersteller

Defekte Geräte sind an den Hersteller zurückzusenden.

7. Wartung und Reinigung



Kontaktdaten siehe Kapitel 1 „Allgemeines“ oder Rückseite der Betriebsanleitung.

7.1 Wartung

Dieses Gerät ist wartungsfrei.

Reparaturen sind ausschließlich vom Hersteller durchzuführen.

Nur Originalteile verwenden (siehe Kapitel 10 „Zubehör“).

7.2 Reinigung

1. Vor der Reinigung die Plattformwägezelle ordnungsgemäß von Spannungsversorgung trennen und ausbauen.

- Die Plattformwägezelle mit einem Tuch reinigen.
Elektrische Anschlüsse nicht mit Feuchtigkeit in Berührung bringen!



VORSICHT!

Beschädigung des Gerätes

Eine unsachgemäße Reinigung führt zur Beschädigung des Gerätes!

- ▶ Keine aggressiven Reinigungsmittel verwenden.
- ▶ Keine harten und spitzen Gegenstände zur Reinigung verwenden.

DE

8. Demontage, Rücksendung und Entsorgung

8.1 Demontage

Die Plattformwägezelle entlasten, vom Strom trennen und aus der Montagesituation entfernen.

8.2 Rücksendung

Beim Versand des Gerätes unbedingt beachten:

Alle an WIKA gelieferten Geräte müssen frei von Gefahrstoffen (Säuren, Laugen, Lösungen, etc.) sein und sind daher vor der Rücksendung zu reinigen.

Zur Rücksendung des Gerätes die Originalverpackung oder eine geeignete Transportverpackung verwenden.

Um Schäden zu vermeiden:

- Das Gerät in eine antistatische Plastikfolie einhüllen.
- Das Gerät mit dem Dämmmaterial in der Verpackung platzieren.
Zu allen Seiten der Transportverpackung gleichmäßig dämmen.
- Wenn möglich einen Beutel mit Trocknungsmittel der Verpackung beifügen.
- Sendung als Transport eines hochempfindlichen Messgerätes kennzeichnen.



Hinweise zur Rücksendung befinden sich in der Rubrik „Service“ auf unserer lokalen Internetseite.

8.3 Entsorgung

Durch falsche Entsorgung können Gefahren für die Umwelt entstehen. Gerätekomponten und Verpackungsmaterialien entsprechend den landesspezifischen Abfallbehandlungs- und Entsorgungsvorschriften umweltgerecht entsorgen.



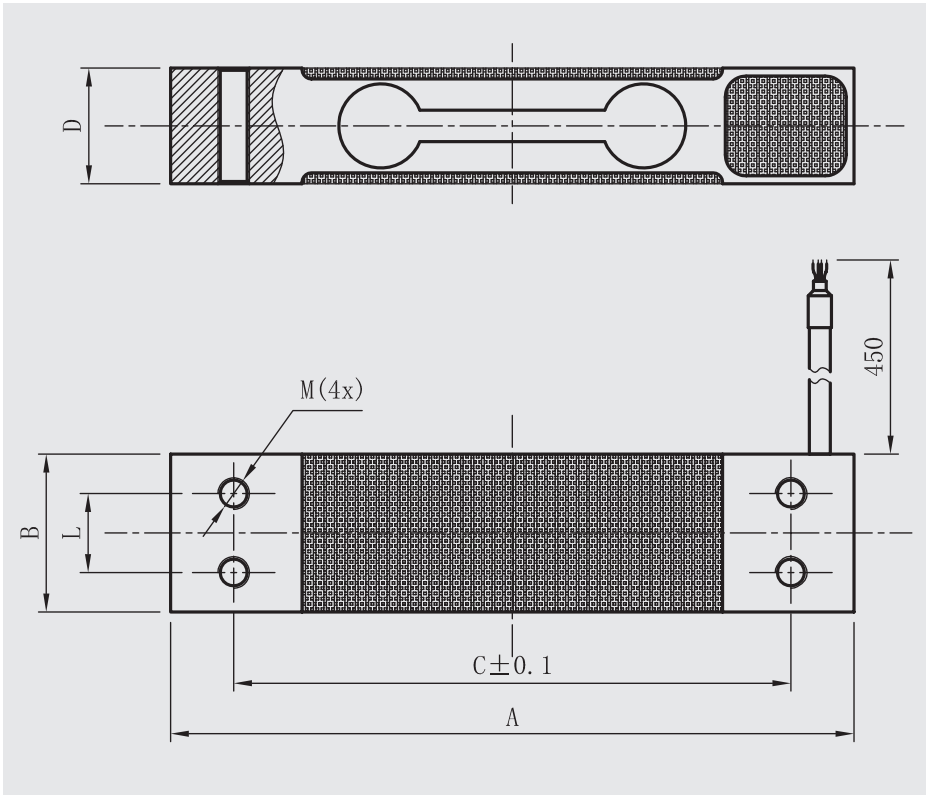
Nicht mit dem Hausmüll entsorgen. Für eine geordnete Entsorgung gemäß nationaler Vorgaben sorgen.

9. Technische Daten

Typ F4801	
Nennlast F_{nom}	3 / 4 / 5 / 6 / 8 / 10 / 15 / 20 / 25 / 30 / 40 / 45 / 50 / 60 / 100 / 150 / 200 / 250 kg
Relative Linearitätsabweichung d_{lin}	$\pm 0,02 \% F_{nom}$
Relatives Kriechen, 30 min.	$\pm 0,02 \% F_{nom}$
Relative Umkehrspanne v	$\pm 0,02 \% F_{nom}$
Relative Abweichung des Nullsignals $d_{S,0}$	$\pm 2 \% F_{nom}$
Temperatureinfluss auf das Nullsignal TK_0	$\leq \pm 0,02 \% / 10^\circ C$
Temperatureinfluss auf den Kennwert TK_C	$\leq \pm 0,02 \% / 10^\circ C$
Grenzkraft F_L	150 % F_{nom}
Bruchkraft F_B	200 % F_{nom}
Werkstoff des Messkörpers	Aluminium
Nenntemperaturbereich $B_{T, nom}$	-10 ... +40 °C
Gebrauchstemperaturbereich $B_{T, G}$	-20 ... +60 °C
Eingangswiderstand R_e	410 \pm 10 Ω
Ausgangswiderstand R_a	350 \pm 5 Ω
Isolationswiderstand R_{is}	$\geq 2.000 M\Omega / DC 100 V$
Ausgangssignal (Nennkennwert) C_{nom}	2,0 \pm 1 % mV/V
Elektrischer Anschluss	Messkabel \varnothing 3 x 450 mm
Hilfsenergie $B_{U, nom}$	DC 10 V (max. 15 V)
Schutzart (nach IEC/EN 60529)	IP65
Plattformgröße	max. 250 x 300 mm
Gewicht	
3 bis 50 kg	0,3 kg
60 bis 250 kg	0,4 kg

DE

Abmessungen Typ F4801



DE

Nennlast in kg	Maße in mm						Anzugsmoment
	A	B	C	D	L	M	
3 / 4 / 5 / 6 / 8 / 10 / 15 / 20 / 25 / 30 / 40 / 45 / 50	130	30	106	22	15	M6	10 Nm
60 / 100 / 150 / 200 / 250	130	50	106	22	25	M8	24 Nm

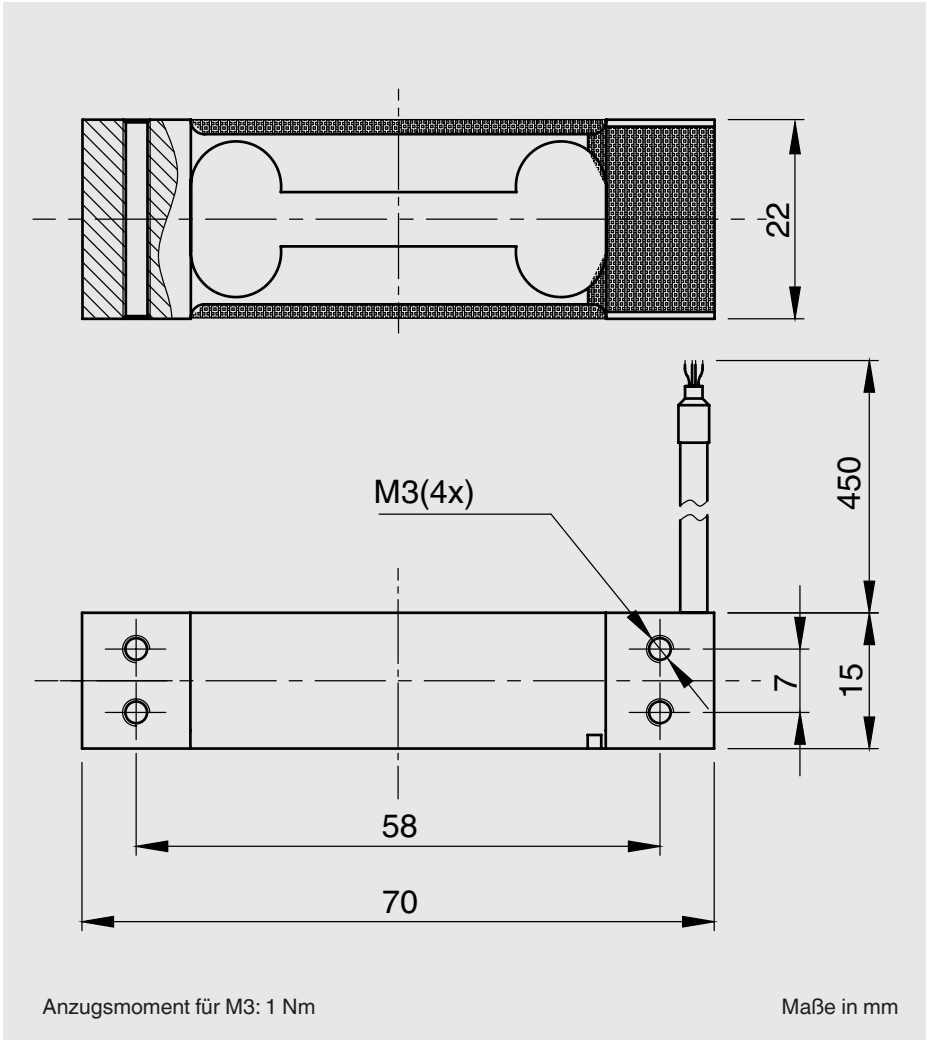
9. Technische Daten

Typ F4802

Nennlast F_{nom}	0,3 / 0,5 / 1 / 1,5 / 2 / 3 / 4 / 5 / 10 kg
Relative Linearitätsabweichung d_{lin}	$\pm 0,02 \% F_{nom}$
Relative Umkehrspanne v	$\pm 0,02 \% F_{nom}$
Relative Spannweite in unveränderter Einbaulage b_{rg}	$\pm 0,02 \% F_{nom}$
Relative Abweichung des Nullsignals $d_{S, 0}$	$\pm 2 \% F_{nom}$
Relatives Kriechen, 30 min.	$\pm 0,02 \% F_{nom}$
Temperatureinfluss auf das Nullsignal TK_0	$\leq \pm 0,025 \% / 10^\circ C$
Temperatureinfluss auf den Kennwert TK_C	$\leq \pm 0,025 \% / 10^\circ C$
Grenzkraft F_L	150 % F_{nom}
Bruchkraft F_B	200 % F_{nom}
Werkstoff des Messkörpers	Aluminium
Nenntemperaturbereich $B_{T, nom}$	-10 ... +40 °C
Gebrauchstemperaturbereich $B_{T, G}$	-20 ... +60 °C
Eingangswiderstand R_e	410 \pm 10 Ω
Ausgangswiderstand R_a	350 \pm 5 Ω
Isolationswiderstand R_{is}	$\geq 2.000 M\Omega / DC 100 V$
Ausgangssignal (Nennkennwert) C_{nom}	2,0 \pm 1 % mV/V
Elektrischer Anschluss	Messkabel $\varnothing 3 \times 450$ mm
Hilfsenergie $B_{U, nom}$	DC 10 V (max. 15 V)
Schutzart (nach IEC/EN 60529)	IP65
Plattformgröße	max. 200 x 200 mm
Gewicht	0,1 kg

DE

Abmessungen Typ F4802



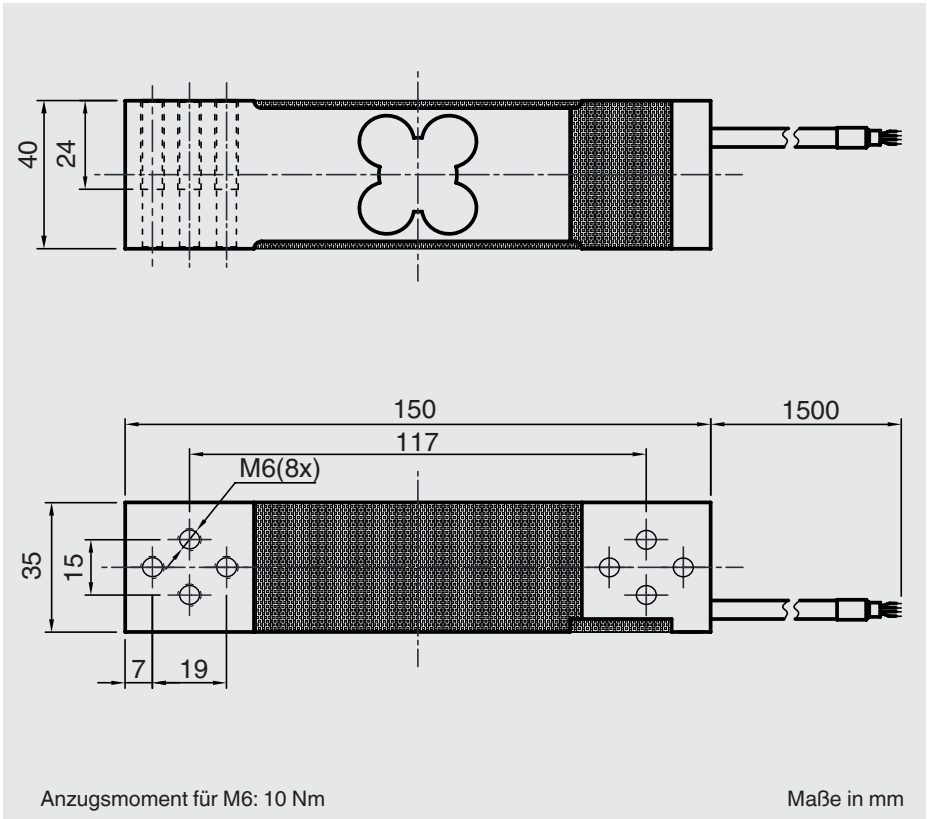
DE

9. Technische Daten

Typ F4818	
Nennlast F_{nom} kg	20, 30, 50, 60, 100, 150, 200, 250, 300, 350, 500
Relative Linearitätsabweichung d_{lin}	$\pm 0,02 \% F_{nom}$
Relatives Kriechen, 30 min.	$\pm 0,02 \% F_{nom}$
Relative Umkehrspanne v	$\pm 0,02 \% F_{nom}$
Relative Abweichung des Nullsignals $d_{S, 0}$	$\pm 2 \% F_{nom}$
Temperatureinfluss auf das Nullsignal TK_0	$\leq \pm 0,025 \% / 10^\circ C$
Temperatureinfluss auf den Kennwert TK_C	$\leq \pm 0,025 \% / 10^\circ C$
Grenzkraft F_L	120 % F_{nom}
Bruchkraft F_B	200 % F_{nom}
Werkstoff des Messkörpers	Aluminium
Nenntemperaturbereich $B_{T, nom}$	-10 ... +40 °C
Gebrauchstemperaturbereich $B_{T, G}$	-20 ... +60 °C
Eingangswiderstand R_e	410 \pm 10 Ω
Ausgangswiderstand R_a	350 \pm 5 Ω
Isolationswiderstand R_{is}	$\geq 2.000 M\Omega / DC 100 V$
Ausgangssignal (Nennkennwert) C_{nom}	2,0 \pm 10 % mV/V
Elektrischer Anschluss	Messkabel $\varnothing 5 \times 1.500$ mm
Hilfsenergie $B_{U, nom}$	10 V (max. 15 V)
Schutzart (nach IEC/EN 60529)	IP65
Plattformgröße	max. 450 x 450 mm
Gewicht in kg	0,6


DE

Abmessungen Typ F4818



DE

9.1 Zulassungen

Logo	Beschreibung	Land
	EU-Konformitätserklärung ■ EMV-Richtlinie ■ RoHS-Richtlinie	Europäische Union
	EAC ■ EMV-Richtlinie	Eurasische Wirtschaftsgemeinschaft

10. Zubehör

WIKA-Zubehör finden Sie online unter www.wika.de.

10.1 Kabel

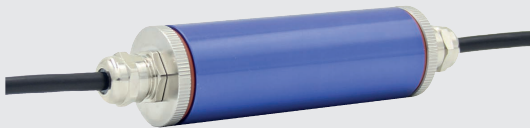
Kabel mit Rundstecker M12 x 1

DE

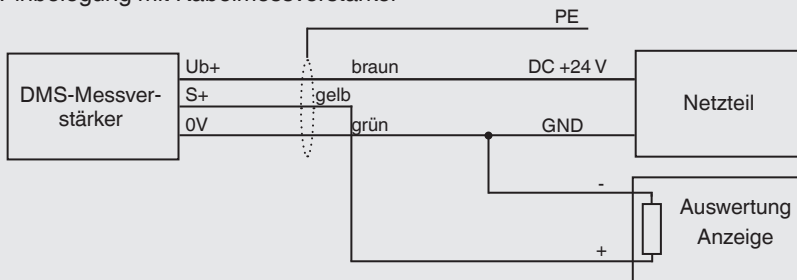
Kabeldose M12 x 1		Bestellnummer		
		Länge 2 m	Länge 5 m	Länge 10 m
4-polig mit Kabel	gerade	EZE53X011010	EZE53X011012	EZE53X011016
	gewinkelt	EZE53X011011	EZE53X011013	EZE53X011017
5-polig mit Kabel	gerade	EZE53X011043	EZE53X011044	EZE53X011047
	gewinkelt	EZE53X011045	EZE53X011046	EZE53X011071

Andere Kabellängen und Kabelarten sind auf Anfrage erhältlich.

10.2 Kabelmessverstärker B1940



Pinbelegung mit Kabelmessverstärker



- DMS-Messverstärker in Messleitung integriert (Kabelmessverstärker)
- Ausgangssignale 0/4 ... 20 mA oder DC 0 ... ± 10 V oder DC 0 ... ± 5 V (3-Leiter)
- Linearität $< 0,01$ % v. Ew.
- Grenzfrequenz bis 1 kHz (-3db)
- Benötigte Hilfsenergie DC 18 ... 30 V
- Kompakte Bauform
- Fertig angebaut und nach Kundenwunsch werkseitig justiert
- Schutzart IP67

10.3 DMS-Wägeelektronik E1932



DE

- DMS-Eingang bis 3 mV/V (4- und 6-Leiter)
- Optional 4 ... 20 mA / DC 0 ... 10 V Eingang (passiv)
- Sehr gut ablesbare LC-Anzeige (20 mm hohe Digits), beleuchtet, 6-stellig, Einheit g, kg, lb oder t wählbar
- Funktionstasten: Nullen, Tara, Brutto/Netto, Drucken
- E1932X200 mit zusätzlicher Funktionstaste, programmierbar für eine der integrierten Funktionen (Zählen, Halten, Spitzenwert halten, Lebendgewichtverwiegung, Summierung)
- 2 Grenzwertkontakte (ab E1932X200)
- Integrierte RS-232-Schnittstelle (ab E1932X200)
- Optional 4 ... 20 mA / DC 0 ... 10 V Ausgang (statt RS-232) (ab E1932X200/ E1932X300)
- Konfigurierbares Druckformat in Kombination mit Datum/Uhrzeit (ab E1932X200)
- 1 Steuereingang zur Fernbedienung (ab E1932X200)
- Verschiedene Gehäusevarianten: Schalttafeleinbau, Tisch- oder Wandgehäuse möglich (bis IP65)
- AC, DC und Batterie- oder Akkubetrieb
- Weitreichender DC-Betrieb (DC 7 ... 24 V)
- Batterie-/Akkubetrieb möglich (DC 4,8 ... 24 V) – optimal für eine Vielzahl von mobilen Anwendungen

10.4 Anschlusskasten B6578



- 4-kanalig
- Stabiles CrNi-Stahl-Gehäuse
- Kabelanschluss über Klemmen
- IP67

10.5 Großanzeige für mA- oder V-Signale E1931X800

DE



- DMS-Großanzeige mit LED-Display für Schaltschrankbau
- LED 5-stellig, 100 mm hoch, rot, aus 50 m ablesbar
- Für Eingangssignale 0/4 ... 20 mA 2- oder 3-Leiter und 0 ... 10 V
- Über Tastenfernbedienung frei programmierbar
- 2 oder 4 frei programmierbare Grenzwertkontakte
- Frei programmierbarer Analogausgang (0/4 ... 20 mA / 0 ... 10 V)
- Digitales Ausgangssignal über serielle RS-232 oder RS-485-Schnittstelle
- 3 Logikeingänge zur Fernbedienung
- Grenzfrequenz bis 5 Hz für quasi statische Anwendungen
- Genauigkeit 0,03 % v. Ew.
- Bis zu 4 DMS-Sensoren mit 350 Ohm parallel anschliessbar
- Brückenversorgung DC 5 oder 10 V
- Benötigte Hilfsenergie AC 85 ... 250 V
- Bediener- und servicefreundlich durch große Schraubklemmen, Tastenfernbedienung und LED-Display
- Schutzart IP65 frontseitig im eingebauten Zustand
- Optional mit robustem Rundumgehäuse mit IP65



EU-Konformitätserklärung EU Declaration of Conformity

Dokument Nr.: ADEUKX300007.01
Document No.:

Wir erklären in alleiniger Verantwortung, dass die mit CE gekennzeichneten Produkte
We declare under our sole responsibility that the CE marked products

Typenbezeichnung: F4801*, F4802*, F4818*
Type Designation:

Beschreibung: Plattformwägezelle
Description: Single point load cell

gemäß gültigem Datenblatt:
according to the valid data sheet: FO 53.10, FO 53.13, FO 53.14

die wesentlichen Schutzanforderungen der folgenden Richtlinien erfüllen: Harmonisierte Normen:
comply with the essential protection requirements of the directives: Harmonized standards:

2011/65/EU	Gefährliche Stoffe (RoHS)	EN 50581:2012
2015/863	Hazardous substances (RoHS)	
2014/30/EU	Elektromagnetische Verträglichkeit (EMV) ⁽¹⁾	EN 61326-1:2013
	Electromagnetic Compatibility (EMC) ⁽¹⁾	EN 61326-2-1:2013

- (1) Für optional eingebaute Transmitter oder Anzeigen gelten deren EU-Konformitätserklärungen und die darin gelisteten Normen.
For optional built-in transmitters and indicators their respective EU declarations of conformity and the therein listed standards apply.

Unterschiedet für und im Namen von / Signed for and on behalf of

tecsis GmbH

Offenbach, 2020-06-03

Stefan Richter, Managing Director

Michael Kirsch, Quality Manager

tecsis GmbH
Carl-Legien-Str. 40 - 44
63073 Offenbach am Main
Germany

Tel. +49 69 5806-0
Fax +49 69 5806-7788
E-Mail info@tecsis.de
www.tecsis.de

Sitz Offenbach - Offenbach am Main
Registernummer: HR B 40169
Geschäftsführer: Stefan Richter u. Thomas Steinbacher