

Load pin, models F5301, F53C1, F53S1

EN

Messachse, Typen F5301, F53C1, F53S1

DE



Load pin, models F5301, F53C1, F53S1



EN	Operating instructions models F5301, F53C1, F53S1	Page	3 - 28
-----------	--	-------------	---------------

DE	Betriebsanleitung Typen F5301, F53C1, F53S1	Seite	29 - 54
-----------	--	--------------	----------------

© 01/2019 WIKA Alexander Wiegand SE & Co. KG

All rights reserved. / Alle Rechte vorbehalten.

WIKA® and tecsis® are registered trademarks in various countries.

WIKA® and tecsis® sind geschützte Marken in verschiedenen Ländern.

Prior to starting any work, read the operating instructions!

Keep for later use!

Vor Beginn aller Arbeiten Betriebsanleitung lesen!

Zum späteren Gebrauch aufbewahren!

Contents

1. General information	4
2. Design and function	5
2.1 Overview	5
2.2 Description	5
2.3 Scope of delivery	5
3. Safety	6
3.1 Explanation of symbols	6
3.2 Intended use	7
3.3 Improper use	8
3.4 Responsibility of the operator	8
3.5 Personnel qualification	9
3.6 Personal protective equipment	9
3.7 Labelling, safety marks	10
3.8 Ex marking	11
3.9 Signal jump electronics	12
4. Transport, packaging and storage	13
4.1 Transport	13
4.2 Packaging and storage	13
5. Commissioning, operation	14
5.1 Precautions before commissioning	14
5.2 To be observed during installation	14
5.3 Installing the load pin.	15
5.4 Electrical connection.	16
5.5 Electrical connection hazardous area	19
6. Faults	19
7. Maintenance and cleaning	20
7.1 Maintenance	20
7.2 Cleaning	20
7.3 Recalibration	20
8. Dismounting, return and disposal	21
8.1 Dismounting	21
8.2 Return.	21
8.3 Disposal	21
9. Specifications	22
10. Accessories	26
10.1 Cable	26
10.2 Repeater power supply	27
11. Appendix: EU declaration of conformity	28

EN

1. General information

- The load pin described in the operating instructions has been designed and manufactured using state-of-the-art technology. All components are subject to stringent quality and environmental criteria during production. Our management systems are certified to ISO 9001.
- These operating instructions contain important information on handling the instrument. Working safely requires that all safety instructions and work instructions are observed.
- Observe the relevant local accident prevention regulations and general safety regulations for the instrument's range of use.
- The operating instructions are part of the product and must be kept in the immediate vicinity of the instrument and readily accessible to skilled personnel at any time. Pass the operating instructions on to the next operator or owner of the instrument.
- Skilled personnel must have carefully read and understood the operating instructions prior to beginning any work.
- The general terms and conditions contained in the sales documentation shall apply.
- Subject to technical modifications.
- Factory calibrations / DKD/DakKS calibrations are carried out in accordance with international standards.

Further information:

- Internet address: www.tecsis.de / www.wika.de
- Relevant data sheet: FO 51.18
- Application consultant: Phone: +49 69 5806-0
Fax: +49 69 5806-7788
info@tecsis.de, info@wika.de

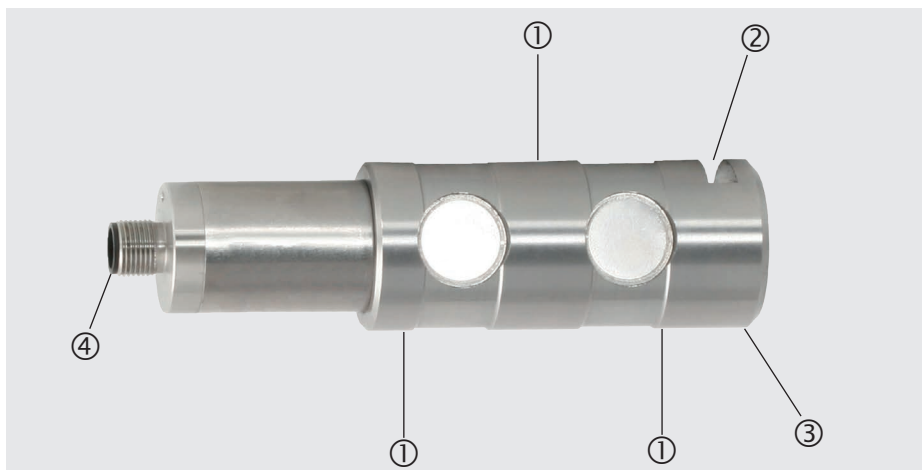
Abbreviations, definitions

2-wire	The two connection lines are used for the voltage supply. The measuring signal also provides the supply current.
3-wire	Two connection lines are used for the voltage supply. One connection line is used for the measuring signal.
UB+	Positive power supply terminal
UB-	Negative power supply terminal
S+	Positive output terminal
S-	Negative output terminal
UR+	Positive power supply terminal for relay (signal jump)
UR-	Negative power supply terminal for relay (signal jump)
Shield	Case
x-pin	Pin assignment

2. Design and function

2.1 Overview

- ① Force introduction
- ② Axle retainer groove
- ③ Measuring spring
- ④ Electrical connection



2.2 Description

The load pin is designed for measuring static and dynamic compression forces. The load pin consists of a measuring spring and a welded thin-film sensor. The measuring body is made of stainless steel and is elastically deformed by a compression force introduced in the force direction. The resulting mechanical tensions are measured by the installed thin-film sensor and output by an electrical output signal.

2.3 Scope of delivery

- Load pin
- Operating instructions

3. Safety

3.1 Explanation of symbols

EN



WARNING!

... indicates a potentially dangerous situation that can result in serious injury or death, if not avoided.



CAUTION!

... indicates a potentially dangerous situation that can result in light injuries or damage to property or the environment, if not avoided.



DANGER!

... indicates a potentially dangerous situation in the hazardous area that can result in serious injury or death, if not avoided.



Information

... points out useful tips, recommendations and information for efficient and trouble-free operation.

3.2 Intended use

The load pins of the models F5301, F53C1, F53S1 are designed for measuring static and dynamic compression forces.

Defective instruments must be returned to the manufacturer.

Model	Version
F5301 <ul style="list-style-type: none">■ Option 1■ Option 2	Standard version Signal jump
F53C1 <ul style="list-style-type: none">■ Option 1■ Option 2	Version in accordance with ATEX directive 2014/34/EU ATEX approval according to EN 60079-0:2012 and EN 60079-11:2012 (Ex ib) IECEx approval according to IEC 60079-0:2011 (Ed. 6) and IEC 60079-11:2011 (Ed. 6) (Ex ib) UL approval according to UL 61010-1 and CSA C22.2 NO. 61010-1
F53S1	Version in accordance with functional safety per Machinery Directive 2006/42/EC applies only in combination with an intelligent safety electronic, for example ELMS1.

These instruments have been designed and tested in accordance with the relevant safety regulations for electronic measuring instruments. Any usage outside of this is deemed to be improper. The perfect functioning and operational safety of the transducers can only be guaranteed when complying with the instructions given in the operating instructions. During its use, the legal and safety regulations (e.g. VDE 0100) required for the particular application must additionally be observed. This also applies accordingly when using accessories. Load pins are RoHS-compliant in accordance with Directive 2011/65/EU Art. 2 (2) and (4) d), e) and g). Faultless and safe operation of this transducer requires proper transport, professional storage, installation and mounting as well as careful operation and corrective maintenance.

The instrument has been designed and built solely for the intended use described here, and may only be used accordingly.

The technical specifications contained in these operating instructions must be observed. Improper handling or operation of the instrument outside of its technical specifications requires the instrument to be taken out of service immediately and inspected by an authorised service engineer.

Handle electronic precision measuring instruments with the required care (protect from humidity, impacts, strong magnetic fields, static electricity and extreme temperatures, do not insert any objects into the instrument or its openings). Plugs and sockets must be protected from contamination.

EN

The manufacturer shall not be liable for claims of any type based on operation contrary to the intended use.

3.3 Improper use



WARNING!

Injuries through improper use

Improper use of the instrument can lead to hazardous situations and injuries.

- ▶ Refrain from unauthorised modifications to the instrument.

Any use beyond or different to the intended use is considered as improper use.

3.4 Responsibility of the operator

The instrument is used in the industrial sector. The operator is therefore responsible for legal obligations regarding safety at work.

The safety instructions within these operating instructions, as well as the safety, accident prevention and environmental protection regulations for the application area must be maintained.

The operator is obliged to maintain the product label in a legible condition.

To ensure safe working on the instrument, the operating company must ensure

- that suitable first-aid equipment is available and aid is provided whenever required.
- that the skilled electrical personnel are regularly instructed in all topics regarding work safety, first aid and environmental protection and know the operating instructions and in particular, the safety instructions contained therein.
- that the instrument is suitable for the particular application in accordance with its intended use.
- that personal protective equipment is available.

3.5 Personnel qualification



WARNING!

Risk of injury should qualification be insufficient

Improper handling can result in considerable injury and damage to equipment.

- ▶ The activities described in these operating instructions may only be carried out by skilled personnel who have the qualifications described below.

Skilled electrical personnel

Skilled electrical personnel are understood to be personnel who, based on their technical training, know-how and experience as well as their knowledge of country-specific regulations, current standards and directives, are capable of carrying out work on electrical systems and independently recognising and avoiding potential hazards. The skilled electrical personnel have been specifically trained for the work environment they are working in and know the relevant standards and regulations. The skilled electrical personnel must comply with current legal accident prevention regulations.

Special knowledge for working with instruments for hazardous areas:

The skilled electrical personnel must have knowledge of ignition protection types, regulations and provisions for equipment in hazardous areas.

Special operating conditions require further appropriate knowledge, e.g. of aggressive media.

3.6 Personal protective equipment

The requirements for the required protective equipment result from the ambient conditions at the place of use, other products or the connection to other products.

The requisite personal protective equipment must be provided by the operating company. The operator is in no way relieved of his obligations under labour law for the safety and the protection of workers' health.

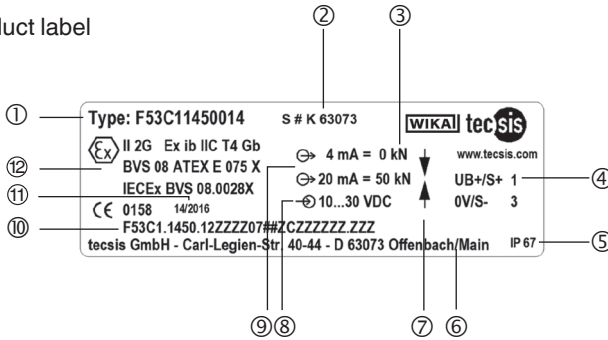
The design of the personal protective equipment must take into account all operating parameters of the place of use.

3.7 Labelling, safety marks

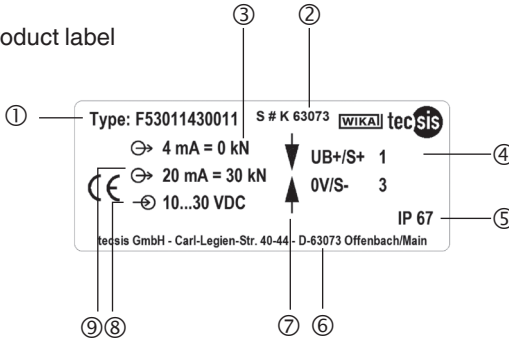
Product label

EN

ATEX product label



Standard product label



- ① Model
- ② Serial number, TAG number
- ③ Measuring range
- ④ Pin assignment
- ⑤ Ingress protection per DIN EN 60259
- ⑥ Address
- ⑦ Force direction (compression force)
- ⑧ Power supply
- ⑨ Output signal
- ⑩ Product code
- ⑪ Date of manufacture calendar week/year
- ⑫ Approval-related product information

3.8 Ex marking



DANGER!

Danger to life due to loss of explosion protection

Non-observance of these instructions and their contents may result in the loss of explosion protection.

- ▶ Observe the safety instructions in this chapter and further explosion instructions in these operating instructions.
- ▶ Observe the information given in the applicable type examination certificate and the relevant country-specific regulations for installation and use in hazardous areas (e.g. IEC 60079-14, NEC, CEC).

Check whether the categorisation is suitable for the application. Observe the relevant national regulations.

It applies to ATEX instruments with EN 60079-0:2012/ EN 60079-11:2012 (Ex ib).

Ex II 2G Ex ib IIC T4 Gb	-25 °C < Tamb < +85 °C
Ex II 2G Ex ib IIC T3 Gb	-25 °C < Tamb < +100 °C
Ex I M2 Ex ib I Mb	-25 °C < Tamb < +85 °C
Ex II 2G Ex ib IIC T4 Gb	-40 °C < Tamb < +85 °C
I M2 Ex ib I Mb	(only available with cable connection)

Certification body 0158

Type examination certificate IECEx BVS08.0028X / BVS 08 ATEX E 075 X

The normal installation instructions of the operating instruction shall apply.

Special conditions for safe use

The load pins are suitable for use in the following ambient temperature ranges:

Model	Temperature class	Ambient temperature range
F*3C*.***.12*****	T4 T3	-25 °C to +85 °C -25 °C to +100 °C
F*3C*.***.14*****	Group I	-25 °C to +85 °C
F*3C*.***.15*****	T4	-25 °C to +85 °C
F*3C*.***.16*****	T4 T3	-40 °C to +85 °C -40 °C to +100 °C
F*3C*.***.17*****	T4 T3	-45 °C to +85 °C -45 °C to +100 °C
F*3C*.***.21*****	T4 and group I	-40 °C to +85 °C

3. Safety

The connection lead of the load pin models F*3C*.****.15***** and F*3C*.****.21***** must be permanently installed.

EN

No modification must be made to instruments operated in connection with hazardous areas.

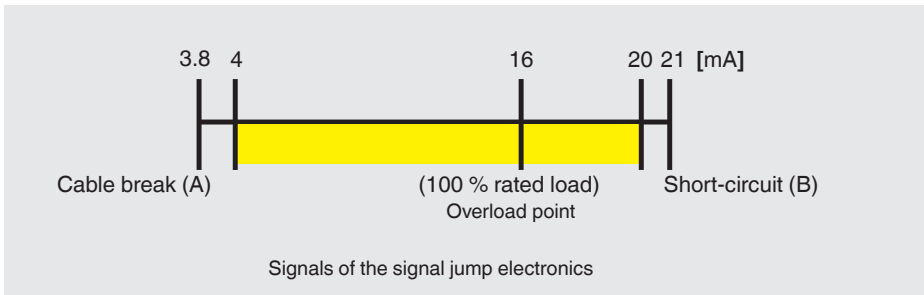
3.9 Signal jump electronics

Compliance with functional safety

An external safety control system independent of the load pin must monitor the safe functioning of the load pin. The functional test with a signal jump of 4 mA / 2 V is executed at an interval of 24 hours. The safety control system activates a relay, thus definitely changing the output signal of the load pin.

If the expected change in the output signal occurs, it can be assumed that the entire signal path functions correctly. If this does not occur, then it can be concluded that there is a fault in the signal path.

Moreover, the measuring signal should be checked by the safety control system for the Min (A) and Max (B) signal value to ensure that any cable break or short-circuit that has occurred is detected. The default setting of the load pin with current output 4 ... 20 mA for overload detection is, for example:



With a fixed, set signal jump of, for example, 4 mA, then, in any operating state, the test cycle can be triggered by activating the test relay. The upper measuring range limit of 20 mA will never be reached and thus the testing of the signal jump is enabled.

4. Transport, packaging and storage

4.1 Transport

Check the load pin for any damage that may have been caused by transport. Obvious damage must be reported immediately.



CAUTION!

Damage through improper transport

With improper transport, a high level of damage to property can occur.

- ▶ When unloading packed goods upon delivery as well as during internal transport, proceed carefully and observe the symbols on the packaging.
- ▶ With internal transport, observe the instructions in chapter 4.2 “Packaging and storage”.

As precision measuring instruments, transducers require careful handling during transport and mounting. Load impacts during transport (e.g. hitting a hard surface) can lead to permanent damage, resulting in measuring errors in the subsequent measuring operation.

4.2 Packaging and storage

Do not remove packaging until just before mounting.

Keep the packaging as it will provide optimum protection during transport (e.g. change in installation site, sending for repair).

The measuring spring is made completely of stainless steel. The version of the accessory cables has an ingress protection of IP67. The ingress protection IP67 is only guaranteed in the plugged-in state. During storage the protection cap must always be on the electrical connection to avoid entry of moisture and dirt.

Permissible conditions at the place of storage:

- Storage temperature: -40 ... +85 °C
- Humidity: 35 ... 85 % relative humidity (no condensation)

Avoid exposure to the following factors:

- Mechanical vibration, mechanical shock (putting it down hard)
- Dust, dirt, and other objects may not be deposited in such a way that they form a force shunt with the measuring spring, since this will falsify the measuring signal.

5. Commissioning, operation

5.1 Precautions before commissioning

EN

- Load pins are sensitive measuring instruments and must be handled with appropriate care.
- Before installing the load pin, check whether the holes of the installation position have been executed dimensionally accurately, thus guaranteeing problem-free mechanical installation of the load pin.
- Make sure that no frictional connection is formed between fork bearing and force introduction. A gap of at least 0.5 mm must be provided.
- Before installation, make sure that the drilling chips have been removed from the holes.
- Depending on the installation situation, lubricant may be required in the holes for mounting the load pin.

5.2 To be observed during installation

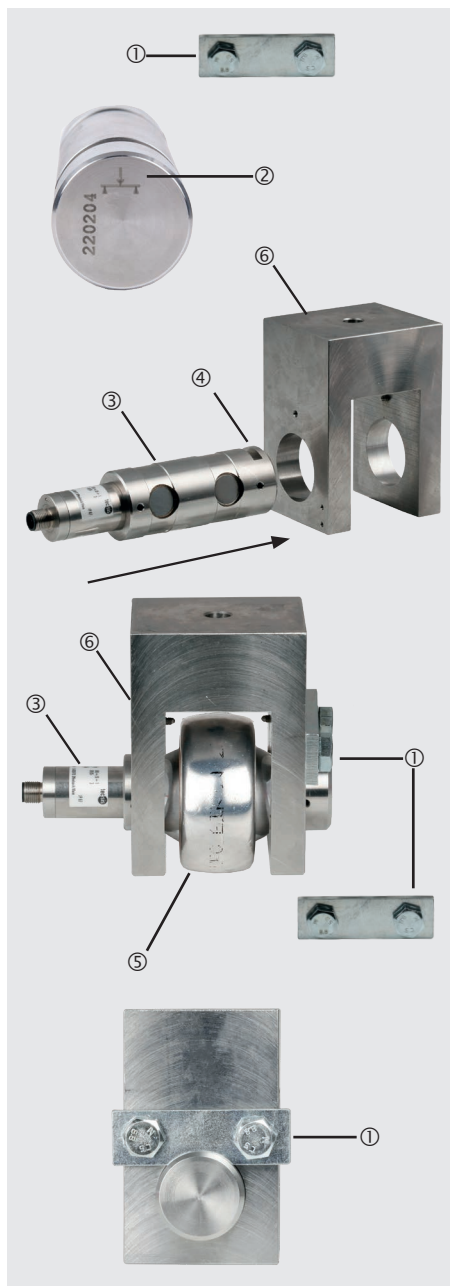


CAUTION!

Damage to the instrument through improper installation

- When mounting the load pin in the installation position (fork bearing), do not apply strong force (e.g. by means of a hammer).
- During installation of the load pin, the output signal (force value) must always be monitored to avoid mechanical overload.
- Torsional and transverse forces must be avoided. Transverse loads and lateral forces also include the corresponding components of the measurands that are introduced slanted.
- Torsional moments, eccentric loads and transverse loads or lateral forces cause measuring errors and may permanently damage the load pin.
- The load pin may only be subjected to loads in the type of bearing provided.
- When subjected to loads in other devices, a change in the zero signal may result in permanent damage.
- The load pin may not be used as climbing aid.

5.3 Installing the load pin



- ① Axle retainer
- ② Force direction arrows
- ③ Load pin
- ④ Axle retainer groove
- ⑤ Force introduction
- ⑥ Load pin installation position

- The axle retainer to DIN 15058 ① must be fastened such that the load pin ③ is secured in the installation situation ⑥ against twisting and axial play.
- The axle retainer ① must not be subjected to loads (e.g. axial loads) while mounted.
- Use only captive fasteners for the axle retainer ①.
- The axle bracket ① must not hinder the deflection in the load direction. Please observe the information given in DIN 15058 for axle retainers.
- Prior to installation, observe the force direction arrows ② on the front face of the load pin ③ and the installation position.
- It must be ensured that there are no force shunts in the mounted condition.
- Introduce the load pin ③ carefully into the installation position ⑥ (fork bearing), using the axle retainer groove ④ as reference for aligning the load pin ③.
- The force introduction ⑤ in the centre may not move and must be mounted such that an axial shift is not possible. No force shunt may be produced.
- Align the load pin ③ and mount the axle retainer ①.

5. Commissioning, operation

5.4 Electrical connection

To prevent interferences from coupling into the system, observe the following information:

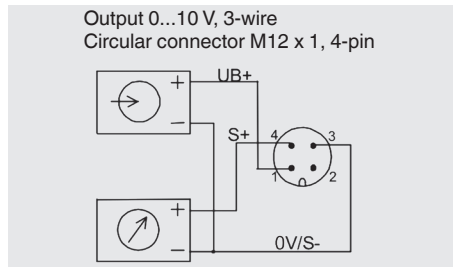
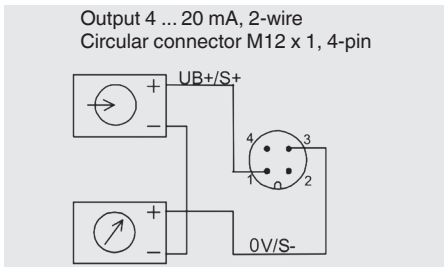
EN

- Use only shielded and low-capacitance measuring cables (for cables, see chapter 10 “Accessories”). These cables fulfil the conditions.
- Ground the shield of the measuring cable.
- Connect the cable shield to the housing of the load pin. In the cables of the accessories, the cable shield is connected by means of the knurled nut, thus connecting it to the case of the load pin (for cables, see chapter 10 “Accessories”).
- Do not install measuring cables in parallel to 3-phase-current cables and control cables.
- Avoid stray fields of transformers, motors and contactors.
- Transducers, amplifiers and processing or display units must not be grounded several times. Connect all instruments to the same protective conductor.

The pin assignment of the connector or of the cable can be found on the product label.

When using extensions, only shielded and low-capacitance cables should be used. The permitted maximum and minimum lengths of cable are defined in ISO 11898-2. Care should be taken also to ensure a high-quality connection of the shielding.

5.4.1 Pin assignment of analogue output, model F5301, standard



Circular connector M12 x 1, 4-pin

	4 ... 20 mA 2-wire	4 ... 20 mA 3-wire	0 ... 10 V 3-wire
UB+	1	1	1
0V/UB-	3	3	3
S+	1	4	4
S-	3	3	3
Shield ⊕	Case	Case	Case

5. Commissioning, operation

EN

Cable assignment		
Cable colour	2-wire	3-wire
Brown	UB+/S+	UB+
White	-	-
Blue	0V/S-	0V/S-
Black	-	S+

Only when using standard cable, e.g. EZE53X011016

5.4.2 Pin assignment, model F53C1, ATEX/IECEX

Circular connector M12 x 1, 4-pin	
	ATEX Ex ib 4 ... 20 mA 2-wire
UB+	1
0V/UB-	3
S+	1
S-	3
Shield ⊕	Case

Cable assignment	
Cable colour	2-wire
Brown	UB+/S+
White	-
Blue	0V/S-
Black	-

Only when using standard cable, e.g. EZE53X011016

5.4.3 Pin assignment, model F5301, signal jump

Circular connector M12 x 1, 4-pin			
	4 ... 20 mA 2-wire	4 ... 20 mA 3-wire	0 ... 10 V 3-wire
UB+	1	1	1
0V/UB-	3	3	3
UR+	2	2	2
UR-	4	3	3
S+	1	4	4
S-	3	3	3
Shield ⊕	Case	Case	Case

Cable assignment		
Cable colour	2-wire	3-wire
Brown	UB+/S+	UB+
White	UR+	UR+
Blue	0V/S-	0V/S-/UR-
Black	UR-	S+

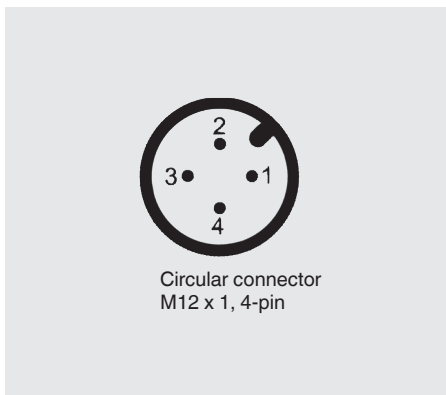
Only when using standard cable, e.g. EZE53X011016

5. Commissioning, operation

5.4.4 Pin assignment, analogue output redundant, opposing

EN

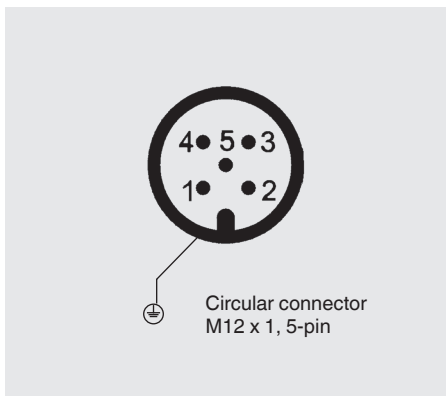
Circular connector M12 x 1, 4-pin		
	4 ... 20 mA / 20 ... 4 mA (redundant)	
	Connector 1	Connector 2
UB+	1	1
0V/UB-	3	3
Signal: Channel 1	4	-
Signal: Channel 2	-	4
Shield ⊕	Case	Case



2-connector variant, for example, in combination with ELMS1 overload protection (F53S1). Version in accordance with requirements for functional safety per Machinery Directive 2006/42/EC.

5.4.5 Pin assignment, CANopen®

Circular connector M12 x 1, 5-pin	
Shield ⊕	1
UB+ (CAN V+)	2
UB- (CAN GND)	3
Bus signal, CAN-High	4
Bus signal, CAN-Low	5



5.5 Electrical connection hazardous area

Electrical data of supply circuit or signal circuit:

UB+ = DC 9 ... 30 V

I_{max} = 130 mA

P_{max} = 750 mW

C_i = 13.2 nF

For load pins with cable connection, the following values must be additionally taken into account:

C_L = 320 nF/km

L_L = 0.44 mH/km

The load pin with ignition protection type “ib” should only be powered using galvanically isolated repeater power supplies. For suitable repeater power supplies, see chapter 10 “Accessories”.

For redundant versions of the load pin, separate cable leads should be provided. When connecting via a single cable, the requirements per IEC 60079-14 must be taken into account. Different intrinsically safe circuits must be separated in the cable via a shield. You must ensure that all shields are grounded. If two intrinsically safe circuits are connected to the load pin via a connector, the connector must be potted, and the spacing between the intrinsically safe circuits must be at least 1 mm. The cables must be protected against damage. Damaged cables must be replaced immediately.

6. Faults



DANGER!

Danger to life from explosion

Through working in flammable atmospheres, there is a risk of explosion which can cause death.

- ▶ Only rectify faults in non-flammable atmospheres!



CAUTION!

Physical injuries, damage to equipment

If faults cannot be eliminated by means of the listed measures, the load pin must be taken out of operation immediately.

- ▶ Contact the manufacturer.
- ▶ If a return is needed, please follow the instructions given in chapter 9.2 “Return”.



For contact details see chapter 1 “General information” or the back page of the operating instructions.

6. Faults / 7. Maintenance and cleaning

EN

Faults	Causes	Measures
No output signal	No or wrong power supply, current pulse	Rectify the power supply
	Cable break	Check the continuity
No or wrong output signal	Wrong pin assignment	Check pin assignment
Deviating zero point signal	Overload, last offset, wrong connection	Consult the manufacturer
Constant output signal when changing force	Mechanical overload, wrong pin assignment	Consult the manufacturer
Signal span varies	EMC interference sources in the environment; for example, frequency converter	Shield instrument; cable shield; remove source of interference
Signal span drops/too small	Mechanical overload	Consult the manufacturer

7. Maintenance and cleaning



For contact details see chapter 1 “General information” or the back page of the operating instructions.

7.1 Maintenance

This instrument is maintenance-free.

Repairs must only be carried out by the manufacturer.

Only use original parts (see chapter 10 “Accessories”).

7.2 Cleaning

1. Prior to cleaning, disconnect the load pin from the voltage supply and dismantle it.
2. Clean the load pin with a cloth.

Electrical connections must not come into contact with moisture!



CAUTION!

Damage to the instrument

Improper cleaning may lead to damage to the instrument!

- ▶ Do not use any aggressive cleaning agents.
- ▶ Do not use any hard or pointed objects for cleaning.

7.3 Recalibration

DKD/DAkkS certificate - official certificates:

We recommend that the load pin is regularly recalibrated by the manufacturer, with time intervals of approx. 24 months. The basic settings will be corrected if necessary.

8. Dismounting, return and disposal

8.1 Dismounting



DANGER!

Danger to life caused by electric current

Upon contact with live parts, there is a direct danger to life.

- ▶ The dismounting of the instrument may only be carried out by skilled personnel.

Relieve the load pin and disconnect it from power. Unscrew the axle retainer and remove the load pin from its installation position.

8.2 Return

Strictly observe the following when shipping the instrument:

All instruments delivered to WIKA must be free from any kind of hazardous substances (acids, bases, solutions, etc.) and must therefore be cleaned before being returned.

When returning the instrument, use the original packaging or a suitable transport packaging.

To avoid damage:

1. Wrap the instrument in an antistatic plastic film.
2. Place the instrument, along with shock-absorbent material, in the packaging.
Place shock-absorbent material evenly on all sides of the transport packaging.
3. If possible, place a bag containing a desiccant inside the packaging.
4. Label the shipment as carriage of a highly sensitive measuring instrument.



Information on returns can be found under the heading "Service" on our local website.

8.3 Disposal

Incorrect disposal can put the environment at risk.

Dispose of instrument components and packaging materials in an environmentally compatible way and in accordance with the country-specific waste disposal regulations.



Do not dispose of with household waste. Ensure a proper disposal in accordance with national regulations.

9. Specifications

EN

Models	F5301	F53S1
Nominal force F_{nom}	10 kN / 20 kN / 30 kN / 50 kN / 70 kN (others on request)	
Relative linearity error d_{lin} 1)	$\pm 1 / \pm 1.5 / \pm 2$ % F_{nom}	
Relative repeatability error in unchanged mounting position b_{rg}	0.2 % F_{nom}	
Temperature effect ■ Zero signal TK_0 ■ Characteristic value TK_C	0.2 % F_{nom} / 10 K	
Limit force F_L	150 % F_{nom}	
Breaking force F_B	300 % F_{nom}	
Transverse force effect d_Q (signal at 100 % F_{nom} under 90 °)	± 5 % F_{nom}	
Rated displacement s_{nom}	< 0.1 mm	
Material of the measuring body	corrosion-resistant stainless steel 1.4542 ultrasound-tested 3.1 material / (optionally 3.2)	
Rated temperature range $B_{T, nom}$	-20 ... +80 °C	-20 ... +80 °C
Service temperature $B_{T, G}$	-30 ... +80 °C	-30 ... +80 °C
Storage temperature $B_{T, S}$	-40 ... +85 °C	
Output signal (rated characteristic value) C_{nom}	(4 ...) 20 mA, 2-wire (4 ...) 20 mA, 3-wire 2 x (4 ...) 20 mA redundant	redundant, opposing 4 ... 20 mA / 20 ... 4 mA Version in accordance with requirements for functional safety per Machinery Directive 2006/42/EC
	DC (0 ...) 10 V, 3-wire DC 2 x (0 ...) 10 V redundant	
	CANopen® configuration of the instrument address and baud rate sync/async, node/lifeguarding, heartbeat; zero point and span ± 10 % adjustable via entries in object directory 2)	

9. Specifications

EN

Models	F5301	F53S1
Current/power consumption	Current output 4 ... 20 mA 2-wire: Signal current Current output 4 ... 20 mA 3-wire: < 8 mA Voltage output < 8 mA, CANopen®: < 1 W	4 ... 20 mA current output: Signal current
Power supply	DC 10 ... 30 V for current output DC 14 ... 30 V for voltage output DC 12 ... 30 V for CANopen®	DC 10 ... 30 V for current output
Load	< (UB - 10 V) / 0.024 A for current output > 10 kΩ for voltage output	< (UB - 10 V) / 0.020 A (channel 1) for current output < (UB - 7 V) / 0.020 A (channel 2) for current output
Response time	< 2 ms (within 10 % to 90 % F _{nom}) ³⁾	
Ingress protection (per EN/IEC 60529)	IP67	
Vibration resistance (per DIN EN 60068-2-6)	20 g, 100 h, 50 ... 150 Hz	
Electrical safety	Reverse polarity, overvoltage protection and short-circuit resistance	
Interference emission	DIN EN 55011	
Immunity	per DIN EN 61326-1/DIN EN 61326-2-3 (optionally EMC-protected versions)	
Electrical connection	Circular connector M12 x 1, 4-pin CANopen® 5-pin	2-connector version M12 x 1, 4-pin
Options	Certificates, strength verifications, 3D-CAD files (STEP, IGES) on request	

1) Relative linearity error acc. to VDI/VDE/DKD 2638 chap. 3.2.6.

2) Protocol in accordance with CiA 301, device profile 404, communication service LSS (CiA 305).

3) Other response times possible upon request.

CANopen® and CiA® are registered community trademarks of CAN in Automation e.V.

9. Specifications

EN

Models	F53C1 ATEX/IECEX Ex ib 1)	F5301 signal jump
Nominal force F_{nom}	10 kN / 20 kN / 30 kN / 50 kN / 70 kN (others on request)	
Relative linearity error $d_{lin}^{2)}$	$\pm 1 / \pm 1.5 / \pm 2 \% F_{nom}$	
Relative repeatability error in unchanged mounting position b_{rg}	0.2 % F_{nom}	
Temperature effect ■ Zero signal TK_0 ■ Characteristic value TK_C	0.2 % $F_{nom} / 10 K$	
Limit force F_L	150 % F_{nom}	
Breaking force F_B	300 % F_{nom}	
Transverse force effect d_Q (signal at 100% F_{nom} under 90 °)	$\pm 5 \% F_{nom}$	
Rated displacement s_{nom}	< 0.1 mm	
Material of the measuring body	corrosion-resistant stainless steel 1.4542 ultrasound-tested 3.1 material / (optionally 3.2)	
Rated temperature range $B_{T, nom}$	-20 ... +80 °C	
Service temperature $B_{T, G}$	Ex II 2G Ex ib IIC T4 Gb -25 °C < Tamb < +85 °C Ex II 2G Ex ib IIC T3 Gb -25 °C < Tamb < +100 °C Ex I M2 Ex ib I Mb -25 °C < Tamb < +85 °C Ex II 2G Ex ib IIC T4 Gb -40 °C < Tamb < +85 °C Ex I M2 Ex ib I Mb (only available with cable connection)	-30 ... +80 °C
Storage temperature $B_{T, S}$	-40 ... +85 °C	
Output signal (rated characteristic value) C_{nom}	(4 ...)20 mA, 2-wire -	4 ... 16 mA, 2-wire ³⁾ DC 2 ... 8 V, 3-wire ³⁾
Current/power consumption	Current output 4 ... 20 mA 2-wire: Signal current	Current output 4 ... 20 mA 2-wire: Signal current Current output 4 ... 20 mA 3-wire: < 8 mA Voltage output: < 8 mA
Power supply	DC 10 ... 30 V for current output	DC 10 ... 30 V for voltage output DC 14 ... 30 V for voltage output
Load	< (UB - 10 V) / 0.024 A for current output > 10 kΩ for voltage output	

ADPR1X914035.02 01/2019 EN/DE

9. Specifications

EN

Models	F53C1 ATEX/IECEX Ex ib 1)	F5301 signal jump
Response time	< 2 ms (within 10 % to 90 % F _{nom}) 4)	
Ingress protection (per EN/IEC 60529)	IP67	
Vibration resistance (per DIN EN 60068-2-6)	20 g, 100 h, 50 ... 150 Hz	
Electrical safety	Reverse polarity, overvoltage protection and short-circuit resistance	
Interference emission	DIN EN 55011	
Immunity	per DIN EN 61326-1/DIN EN 61326-2-3 (optionally versions with increased immunity)	
Electrical connection	Circular connector M12 x 1 - 4-pin MIL connector Cable gland	Circular connector M12 x 1 - 4-pin Cable gland
Options	Certificates, strength verifications, 3D-CAD files (STEP, IGES)	
Certificates (optional)	ATEX: acc. to EN 60079-0:2012 and EN 60079-11:2012 (Ex ib) IECEX: acc. to IEC 60079-0:2011 (Ed. 6) and IEC 60079-11:2011 (Ed. 6) (Ex ib) UL: acc. to UL 61010-1 and CSA C22.2 NO. 61010-1 DNV GL standard DNVGL-ST-0377 DNV GL standard DNVGL-ST-0378	

1) The load pin with ignition protection type "ib" should only be powered using galvanically isolated repeater power supplies. Suitable repeater power supplies can be offered as an option e.g. EZE08X030003.

2) Relative linearity error acc. to VDI/VDE/DKD 2638 chap. 3.2.6.

3) Other signal jumps are realisable upon request.

4) Other response times are realisable upon request.

10. Accessories

10. Accessories

WIKA accessories can be found online at www.wika.com.

EN

10.1 Cable

Cable with circular connector M12 x 1

Cable socket M12 x 1		Ordner number		
		l = 2 m	l = 5 m	l = 10 m
4-pin cable	straight	EZE53X011010	EZE53X011012	EZE53X011016
	angled	EZE53X011011	EZE53X011013	EZE53X011017
5-pin cable	straight	EZE53X011043	EZE53X011044	EZE53X011047
	angled	EZE53X011045	EZE53X011046	EZE53X011071

Other cable lengths and cable types are available on request.

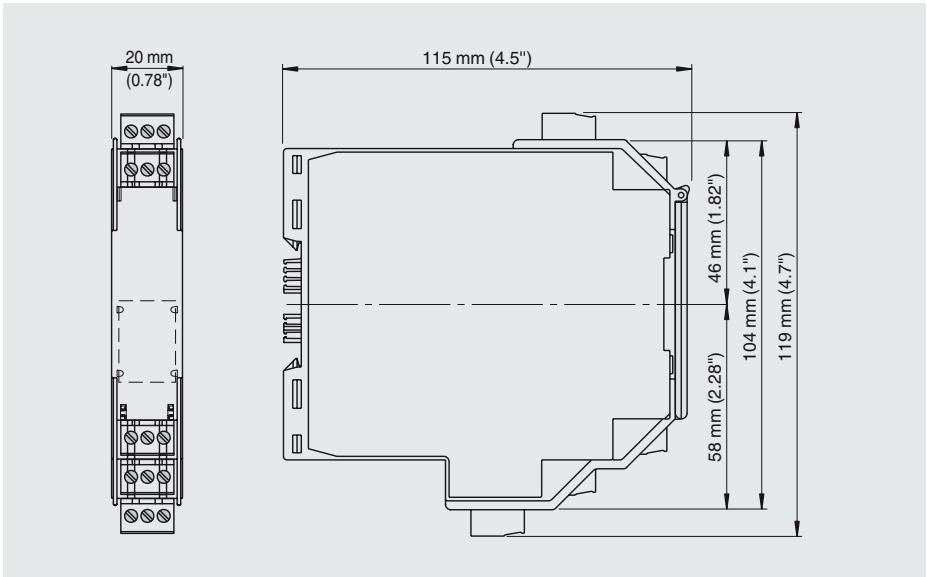
10. Accessories

10.2 Repeater power supply

1-channel with DC 24 V supply (power rail)

The analogue input signal is transmitted to the non-hazardous area as galvanically isolated current value. The input signal can be overlaid on the Ex or non-Ex sides with binary signals transmitted bidirectionally.

EN



Repeater power supply	Order number
1-channel with DC 24 V supply	EZE08X030003



A division of the WIKAL Group

EU-Konformitätserklärung EU Declaration of Conformity

Dokument Nr.: ADEUKX100002.03
Document No.:

Wir erklären in alleiniger Verantwortung, dass die mit CE gekennzeichneten Produkte
We declare under our sole responsibility that the CE marked products

Typenbezeichnung: F5301*, F53S1*, F53C1.*.XX* ⁽¹⁾
Type Designation:

Beschreibung: Messschse
Description: Load pin

gemäß gültiger Betriebsanleitung:
according to the valid operating instructions: ADPR1X914035

die wesentlichen Schutzanforderungen der folgenden Richtlinien erfüllen:
comply with the essential protection requirements of the directives: Harmonisierte Normen:
Harmonized standards:

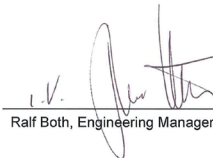
2011/65/EU	Gefährliche Stoffe (RoHS) Hazardous substances (RoHS)	EN 50581:2012
2014/30/EU	Elektromagnetische Verträglichkeit (EMV) Electromagnetic Compatibility (EMC)	EN 61326-1:2013-07 EN 61326-2-3:2013-07 EN 61326-3-1:2008-11 mod. 1 2009-04 EN 55011:2011-04
2014/34/EU	Explosionsschutz (ATEX) Explosion protection (ATEX)	
	II 2G Ex ib IIC T4/T3 Gb (XX=12/16/17) ⁽¹⁾	
	II 2G Ex ib IIC T4 Gb (XX=15) ⁽¹⁾	EN 60079-0:2012 +A11:2013
	I M2 Ex ib I Mb (XX=14) ⁽¹⁾	EN 60079-11:2012
	II 2G Ex ib IIC T4 Gb (XX=21) ⁽¹⁾	
	I M2 Ex ib I Mb (XX=21) ⁽¹⁾	

- (1) (* = mehrere alphanumerische Zeichen; XX=12/14/15/16/17/21)
(* = multiple alphanumeric letter; XX=12/14/15/16/17/21)
- (2) EG-Baumusterprüfbescheinigung BVS 08 ATEX E 075 X von DEKRA EXAM GmbH, (Reg.-Nr. 0158).
EG type-examination certificate BVS 08 ATEX E 075 X of DEKRA EXAM GmbH, (Reg. no. 0158).

Unterzeichnet für und im Namen von / Signed for and on behalf of

tecsis GmbH
Offenbach, 2018-11-16


Stefan Richter, Managing Director


Ralf Both, Engineering Manager

tecsis GmbH
Carl-Legien-Str. 40 - 44
63075 Offenbach am Main
Germany

Tel: +49 69 5806-0
Fax: +49 69 5806-7788
E-Mail: info@tecsis.de
www.tecsis.de

Sitz Offenbach - Offenbach am Main
Registernummer: HR B 40169
Geschäftsführer: Stefan Richter u. Axel Kaltföten

18AR-0XXXX

ADPR1X914035.02 01/2019 EN/DE

Inhalt

1. Allgemeines	30
2. Aufbau und Funktion	31
2.1 Überblick	31
2.2 Beschreibung	31
2.3 Lieferumfang	31
3. Sicherheit	32
3.1 Symbolerklärung	32
3.2 Bestimmungsgemäße Verwendung	33
3.3 Fehlgebrauch	34
3.4 Verantwortung des Betreibers.	34
3.5 Personalqualifikation.	35
3.6 Persönliche Schutzausrüstung	35
3.7 Beschilderung, Sicherheitskennzeichnungen	36
3.8 Ex-Kennzeichnung	37
3.9 Signalhub-Elektronik.	38
4. Transport, Verpackung und Lagerung	39
4.1 Transport.	39
4.2 Verpackung und Lagerung.	39
5. Inbetriebnahme, Betrieb	40
5.1 Vorkehrung vor der Inbetriebnahme.	40
5.2 Beachten Sie bei der Montage	40
5.3 Montage der Messachse	41
5.4 Elektrischer Anschluss	42
5.5 Elektrischer Anschluss Ex-Bereich	45
6. Störungen	45
7. Wartung und Reinigung	46
7.1 Wartung	46
7.2 Reinigung	46
7.3 Rekalibrierung	46
8. Demontage, Rücksendung und Entsorgung	47
8.1 Demontage	47
8.2 Rücksendung	47
8.3 Entsorgung	47
9. Technische Daten	48
10. Zubehör	52
10.1 Kabel	52
10.2 Speisetrenner	53
11. Anlage: EU-Konformitätserklärung	54

DE

ADPR1X914035.02 01/2019 EN/DE

1. Allgemeines

- Die in der Betriebsanleitung beschriebene Messachse wird nach dem aktuellen Stand der Technik konstruiert und gefertigt. Alle Komponenten unterliegen während der Fertigung strengen Qualitäts- und Umweltkriterien. Unsere Managementsysteme sind nach ISO 9001 zertifiziert.
- Diese Betriebsanleitung gibt wichtige Hinweise zum Umgang mit dem Gerät. Voraussetzung für sicheres Arbeiten ist die Einhaltung aller angegebenen Sicherheitshinweise und Handlungsanweisungen.
- Die für den Einsatzbereich des Gerätes geltenden örtlichen Unfallverhütungsvorschriften und allgemeinen Sicherheitsbestimmungen einhalten.
- Die Betriebsanleitung ist Produktbestandteil und muss in unmittelbarer Nähe des Gerätes für das Fachpersonal jederzeit zugänglich aufbewahrt werden. Betriebsanleitung an nachfolgende Benutzer oder Besitzer des Gerätes weitergeben.
- Das Fachpersonal muss die Betriebsanleitung vor Beginn aller Arbeiten sorgfältig durchgelesen und verstanden haben.
- Es gelten die allgemeinen Geschäftsbedingungen in den Verkaufsunterlagen.
- Technische Änderungen vorbehalten.
- Werkskalibrierungen / DKD/DAkkS-Kalibrierungen erfolgen nach internationalen Normen.

Weitere Informationen:

- Internet-Adresse: www.teccsis.de / www.wika.de
- Zugehöriges Datenblatt: FO 51.18
- Anwendungsberater: Tel.: +49 69 5806-0
Fax: +49 69 5806-7788
info@teccsis.de, info@wika.de

Abkürzungen, Definitionen

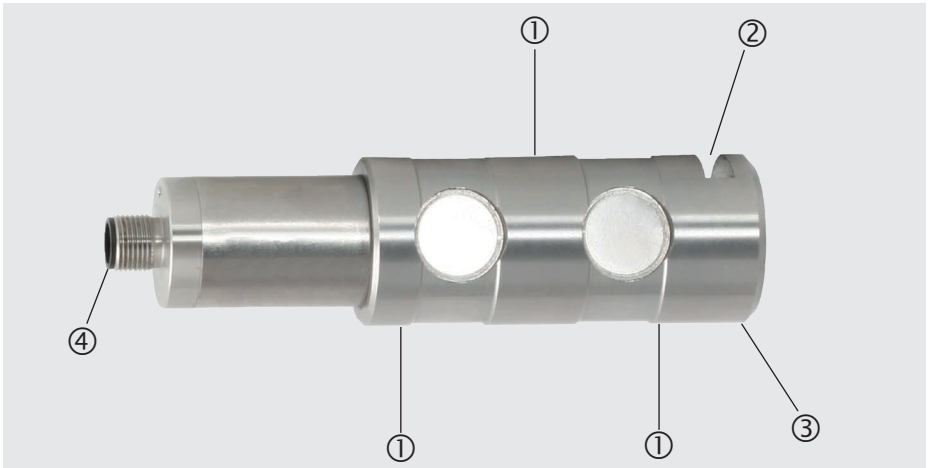
2-Leiter	Die zwei Anschlussleitungen dienen zur Spannungsversorgung. Der Speisestrom ist das Messsignal.
3-Leiter	Zwei Anschlussleitungen dienen zur Spannungsversorgung. Eine Anschlussleitung dient für das Messsignal.
UB+	Positiver Versorgungsanschluss
UB-	Negativer Versorgungsanschluss
S+	Positiver Messanschluss
S-	Negativer Messanschluss
UR+	Positiver Versorgungsanschluss für Relais (Signalhub)
UR-	Negativer Versorgungsanschluss für Relais (Signalhub)
Schirm	Gehäuse
x-polig	Pinbelegung

2. Aufbau und Funktion

2.1 Überblick

- ① Krafteinleitung
- ② Achshalternut
- ③ Messfeder
- ④ Elektrischer Anschluss

DE



2.2 Beschreibung

Die Messachse ist für das Messen statischer und dynamischer Druckkräfte vorgesehen. Die Messachse besteht aus einer Messfeder und einem eingeschweißten Dünnschichtsensor. Der Messkörper ist aus nichtrostendem CrNi-Stahl gefertigt und wird durch in Krafrichtung eingeleitete Druckkraft elastisch verformt. Die entstehenden mechanischen Spannungen werden dabei durch den eingebauten Dünnschichtsensor gemessen und durch ein elektrisches Ausgangssignal ausgegeben.

2.3 Lieferumfang

- Messachse
- Betriebsanleitung

3. Sicherheit

3.1 Symbolerklärung

DE



WARNUNG!

... weist auf eine möglicherweise gefährliche Situation hin, die zum Tod oder zu schweren Verletzungen führen kann, wenn sie nicht gemieden wird.



VORSICHT!

... weist auf eine möglicherweise gefährliche Situation hin, die zu geringfügigen oder leichten Verletzungen bzw. Sach- und Umweltschäden führen kann, wenn sie nicht gemieden wird.



GEFAHR!

... weist auf eine möglicherweise gefährliche Situation im explosionsgefährdeten Bereich hin, die zum Tod oder zu schweren Verletzungen führen kann, wenn sie nicht gemieden wird.



Information

... hebt nützliche Tipps und Empfehlungen sowie Informationen für einen effizienten und störungsfreien Betrieb hervor.

3.2 Bestimmungsgemäße Verwendung

Die Messachsen der Typen F5301, F53C1, F53S1 sind für das Messen statischer und dynamischer Druckkräfte vorgesehen.

Defekte Geräte sind an den Hersteller zurückzusenden.

Typen	Ausführung
F5301 <ul style="list-style-type: none">■ Option 1■ Option 2	Standardversion Signalhub
F53C1 <ul style="list-style-type: none">■ Option 1■ Option 2	Ausführung gem. ATEX-Richtlinie 2014/34/EU ATEX-Zulassung nach EN 60079-0:2012 und EN 60079-11:2012 (Ex ib) IECEX-Zulassung nach IEC 60079-0:2011 (Ed. 6) und IEC 60079-11:2011 (Ed. 6) (Ex ib) UL-Zulassung nach UL 61010-1 und CSA C22.2 NO. 61010-1
F53S1	Ausführung gem. Anforderung nach funktionaler Sicherheit gem. Maschinenrichtlinie 2006/42/EG, gilt nur in Kombination mit einer Sicherheitselektronik, bspw. ELMS1.

Diese Geräte sind gemäß den Sicherheitsbestimmungen für elektronische Messgeräte gebaut und geprüft. Jeder darüber hinausgehende Gebrauch gilt als nicht bestimmungsgemäß. Die einwandfreie Funktion und Betriebssicherheit der Aufnehmer kann nur bei Einhaltung der Angaben in der Betriebsanleitung garantiert werden. Bei der Verwendung sind zusätzlich die für den jeweiligen Anwendungsfall erforderlichen Rechts- und Sicherheitsvorschriften zu beachten (z. B. VDE 0100). Sinngemäß gilt dies auch bei Verwendung von Zubehör. Messachsen sind RoHS-konform gem. Richtlinie 2011/65/EU Art. 2 Abs. (2) und Absatz (4) d), e) und g). Der einwandfreie und sichere Betrieb dieses Aufnehmers setzt sachgemäßen Transport, fachgerechte Lagerung, Aufstellung und Montage sowie sorgfältige Bedienung und Instandhaltung voraus.

Das Gerät ist ausschließlich für den hier beschriebenen bestimmungsgemäßen Verwendungszweck konzipiert und konstruiert und darf nur dementsprechend verwendet werden.

Die technischen Spezifikationen in dieser Betriebsanleitung sind einzuhalten. Eine unsachgemäße Handhabung oder ein Betreiben des Gerätes außerhalb der technischen Spezifikationen macht die sofortige Stilllegung und Überprüfung durch einen autorisierten Servicemitarbeiter erforderlich.

Elektronische Präzisionsmessgeräte mit erforderlicher Sorgfalt behandeln (vor Nässe, Stößen, starken Magnetfeldern, statischer Elektrizität und extremen Temperaturen schützen, keine Gegenstände in das Gerät bzw. Öffnungen einführen). Stecker und Buchsen vor Verschmutzung schützen.

Ansprüche jeglicher Art aufgrund von nicht bestimmungsgemäßer Verwendung sind ausgeschlossen.

DE

3.3 Fehlgebrauch



WARNUNG!

Verletzungen durch Fehlgebrauch

Fehlgebrauch des Gerätes kann zu gefährlichen Situationen und Verletzungen führen.

- ▶ Eigenmächtige Umbauten am Gerät unterlassen.

Jede über die bestimmungsgemäße Verwendung hinausgehende oder andersartige Benutzung gilt als Fehlgebrauch.

3.4 Verantwortung des Betreibers

Das Gerät wird im gewerblichen Bereich eingesetzt. Der Betreiber unterliegt daher den gesetzlichen Pflichten zur Arbeitssicherheit.

Die Sicherheitshinweise dieser Betriebsanleitung, sowie die für den Einsatzbereich des Gerätes gültigen Sicherheits-, Unfallverhütungs- und Umweltschutzvorschriften einhalten.

Der Betreiber ist verpflichtet, das Typenschild lesbar zu halten.

Für ein sicheres Arbeiten am Gerät muss der Betreiber sicherstellen,

- dass eine entsprechende Erste-Hilfe-Ausrüstung vorhanden ist und bei Bedarf jederzeit Hilfe zur Stelle ist.
- dass das Elektrofachpersonal regelmäßig in allen zutreffenden Fragen von Arbeitssicherheit, Erste Hilfe und Umweltschutz unterwiesen wird, sowie die Betriebsanleitung und insbesondere die darin enthaltenen Sicherheitshinweise kennt.
- dass das Gerät gemäß der bestimmungsgemäßen Verwendung für den Anwendungsfall geeignet ist.
- dass die persönliche Schutzausrüstung verfügbar ist.

3.5 Personalqualifikation



WARNUNG!

Verletzungsgefahr bei unzureichender Qualifikation

Unsachgemäßer Umgang kann zu erheblichen Personen- und Sachschäden führen.

- ▶ Die in dieser Betriebsanleitung beschriebenen Tätigkeiten nur durch Fachpersonal nachfolgend beschriebener Qualifikation durchführen lassen.

DE

Elektrofachpersonal

Das Elektrofachpersonal ist aufgrund seiner fachlichen Ausbildung, Kenntnisse und Erfahrungen sowie Kenntnis der landesspezifischen Vorschriften, geltenden Normen und Richtlinien in der Lage, Arbeiten an elektrischen Anlagen auszuführen und mögliche Gefahren selbstständig zu erkennen und zu vermeiden. Das Elektrofachpersonal ist speziell für das Arbeitsumfeld, in dem es tätig ist, ausgebildet und kennt die relevanten Normen und Bestimmungen. Das Elektrofachpersonal muss die Bestimmungen der geltenden gesetzlichen Vorschriften zur Unfallverhütung erfüllen.

Besondere Kenntnisse bei Arbeiten mit Geräten für explosionsgefährdete Bereiche:

Das Elektrofachpersonal muss Kenntnisse haben über Zündschutzarten, Vorschriften und Verordnungen für Betriebsmittel in explosionsgefährdeten Bereichen.

Spezielle Einsatzbedingungen verlangen weiteres entsprechendes Wissen, z. B. über aggressive Messstoffe.

3.6 Persönliche Schutzausrüstung

Anforderungen an benötigte Schutzausrüstung ergeben sich aus den Umgebungsbedingungen am Ort der Nutzung, anderen Produkten oder der Verknüpfung mit anderen Produkten.

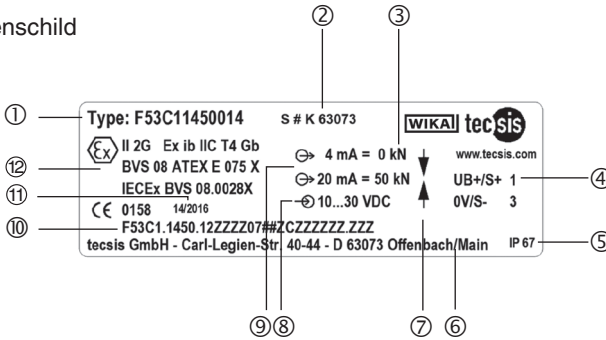
Die erforderliche persönliche Schutzausrüstung muss vom Betreiber zur Verfügung gestellt werden. Der Betreiber wird durch diese Vorschläge in keiner Weise von seinen arbeitsrechtlichen Pflichten zur Sicherheit und dem Schutz der Gesundheit der Arbeitnehmer entbunden.

Die Bemessung der persönlichen Schutzausrüstung muss unter Berücksichtigung aller Betriebsparameter des Einsatzortes erfolgen.

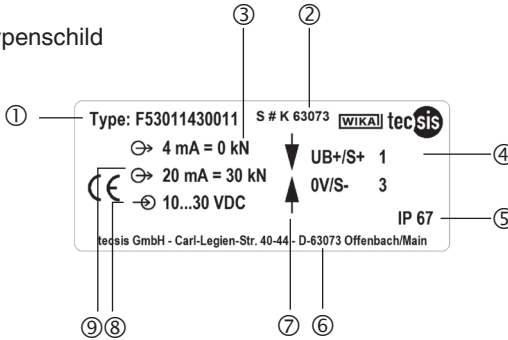
3.7 Beschilderung, Sicherheitskennzeichnungen

Typenschild

ATEX-Typenschild



Standard-Typenschild



- ① Typ
- ② Seriennummer, TAG-Nummer
- ③ Messbereich
- ④ Anschlussbelegung
- ⑤ Schutzart gem. DIN EN 60259
- ⑥ Adresse
- ⑦ Kraftrichtung (Druckkraft)
- ⑧ Hilfsenergie
- ⑨ Ausgangssignal
- ⑩ Produktcode
- ⑪ Herstellungsdatum Kalenderwoche/Jahr
- ⑫ Zulassungsrelevante Produktinformationen

3.8 Ex-Kennzeichnung



GEFAHR!

Lebensgefahr durch Verlust des Explosionsschutzes

Die Nichtbeachtung dieser Inhalte und Anweisungen kann zum Verlust des Explosionsschutzes führen.

- ▶ Sicherheitshinweise in diesem Kapitel sowie weitere Explosionshinweise in dieser Betriebsanleitung beachten.
- ▶ Die Angaben der geltenden Baumusterprüfbescheinigung sowie die jeweiligen landesspezifischen Vorschriften zur Installation und Einsatz in explosionsgefährdeten Bereichen (z. B. IEC 60079-14, NEC, CEC) einhalten.

DE

Überprüfen, ob die Einordnung für den Einsatzfall geeignet ist. Die jeweiligen nationalen Vorschriften und Bestimmungen beachten.

Sie gilt für ATEX-Geräte mit EN 60079-0:2012/ EN 60079-11:2012 (Ex ib).

Ex II 2G Ex ib IIC T4 Gb	-25 °C < Tamb < +85 °C
Ex II 2G Ex ib IIC T3 Gb	-25 °C < Tamb < +100 °C
Ex I M2 Ex ib I Mb	-25 °C < Tamb < +85 °C
Ex II 2G Ex ib IIC T4 Gb	-40 °C < Tamb < +85 °C
I M2 Ex ib I Mb	(nur mit Kabelanschluss verfügbar)

Zertifizierungsstelle 0158

Baumusterprüfbescheinigung IECEx BVS08.0028X / BVS 08 ATEX E 075 X

Es gelten die normalen Installationshinweise der Betriebsanleitung.

Besondere Bedingungen für die sichere Anwendung

Die Messachsen sind zum Einsatz in folgenden Umgebungstemperaturbereichen geeignet:

Typ	Temperaturklasse	Umgebungstemperaturbereich
F*3C*.***.12*****	T4 T3	-25 °C bis +85 °C -25 °C bis +100 °C
F*3C*.***.14*****	Gruppe I	-25 °C bis +85 °C
F*3C*.***.15*****	T4	-25 °C bis +85 °C
F*3C*.***.16*****	T4 T3	-40 °C bis +85 °C -40 °C bis +100 °C
F*3C*.***.17*****	T4 T3	-45 °C bis +85 °C -45 °C bis +100 °C
F*3C*.***.21*****	T4 und Gruppe I	-40 °C bis +85 °C

Die Anschlussleitung der Messachse Typ F*3C*.***.15***** und

F*3C*.****.21***** muss fest verlegt werden.

An Geräten, die in Verbindung mit explosionsgefährdeten Bereichen betrieben werden, darf keine Veränderung vorgenommen werden.

DE

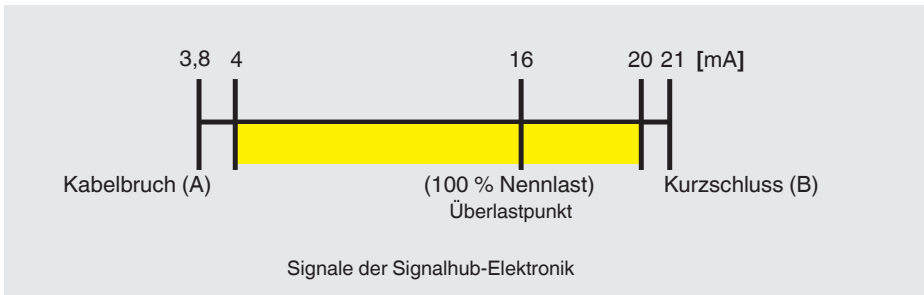
3.9 Signalhub-Elektronik

Einhaltung der funktionalen Sicherheit

Eine externe, von der Messachse unabhängige Sicherheitssteuerung muss die sichere Funktion der Messachse überwachen. Der Funktionstest (Signalsprung) mit einem Signalhub von 4 mA / 2 V wird in einem Intervall von 24 Stunden ausgeführt. Die Sicherheitssteuerung aktiviert ein Relais und verändert damit definiert das Ausgangssignal der Messachse.

Tritt die erwartete Änderung des Ausgangssignals auf, kann davon ausgegangen werden, dass der gesamte Signalweg korrekt funktioniert. Tritt sie nicht auf, kann auf einen Fehler in diesem Signalweg geschlossen werden.

Weiterhin soll das Messsignal durch die Sicherheitssteuerung auf Min-(A) und Max-(B) Signalwert überprüft werden, um einen evtl. auftretenden Leitungsbruch oder Kurzschluss zu erkennen. Die Standardeinstellung der Messachse mit Stromausgang 4 ... 20 mA zur Überlasterkennung ist z. B.:



Mit einem fest eingestellten Signalhub von beispielsweise 4 mA kann dann in jedem Betriebszustand bei Aktivierung des Prüfrelais der Testzyklus ausgelöst werden. Die obere Messbereichsgrenze von 20 mA wird jedoch nicht erreicht und dadurch die Überprüfung des Signalhubs ermöglicht.

4. Transport, Verpackung und Lagerung

4.1 Transport

Die Messachse auf eventuell vorhandene Transportschäden untersuchen.
Offensichtliche Schäden unverzüglich mitteilen.



VORSICHT!

Beschädigungen durch unsachgemäßen Transport

Bei unsachgemäßem Transport können Sachschäden in erheblicher Höhe entstehen.

- ▶ Beim Abladen der Packstücke bei Anlieferung sowie innerbetrieblichem Transport vorsichtig vorgehen und die Symbole auf der Verpackung beachten.
- ▶ Bei innerbetrieblichem Transport die Hinweise unter Kapitel 4.2 „Verpackung und Lagerung“ beachten.

Als Präzisionsmessgeräte verlangen die Aufnehmer beim Transport und der Montage eine sorgfältige Handhabung. Laststöße während des Transports (z. B. Aufschlag auf harten Untergrund) können zu bleibenden Schäden führen, die im späteren Messbetrieb zu Messfehlern führen.

4.2 Verpackung und Lagerung

Verpackung erst unmittelbar vor der Montage entfernen.

Die Verpackung aufbewahren, denn diese bietet bei einem Transport einen optimalen Schutz (z. B. wechselnder Einbauort, Reparatursendung).

Die Messfeder ist vollständig aus CrNi-Stahl hergestellt. Die Ausführung der Zubehörkabel entspricht ebenfalls der Schutzart IP67. Die Schutzart IP67 wird nur im gesteckten Zustand garantiert. Bei der Lagerung muss sich die Schutzkappe immer auf dem elektrischen Anschluss befinden, um einen Feuchtigkeitseintritt sowie Schmutz zu vermeiden.

Zulässige Bedingungen am Lagerort:

- Lagertemperatur: -40 ... +85 °C
- Feuchtigkeit: 35 ... 85 % relative Feuchte (keine Betauung)

Folgende Einflüsse vermeiden:

- Mechanische Vibration, mechanischer Schock (hartes Aufstellen)
- Staub, Schmutz und sonstige Gegenstände dürfen sich nicht so ablagern, dass sie einen Kraftnebenschluss zur Messfeder bilden, da dadurch das Messsignal verfälscht wird.

5. Inbetriebnahme, Betrieb

5.1 Vorkehrung vor der Inbetriebnahme

- Messachsen sind empfindliche Messgeräte und entsprechend sorgsam zu behandeln.
- Vor der Installation der Messachse prüfen, ob die Bohrungen der Einbauposition maßhaltig ausgeführt wurden, so dass der problemlose mechanische Einbau der Messachse gewährleistet ist.
- Es ist darauf zu achten, dass zwischen Gabellager und Krafteinleitung kein Reibschluss entsteht. Ein Spalt von 0,5 mm ist mindestens vorzusehen.
- Vor der Installation ist darauf zu achten, dass die Bohrspäne aus den Bohrungen entfernt wurden.
- Abhängig von der Einbausituation kann Schmiermittel in den Bohrungen zur Montage der Messachse benötigt werden.

5.2 Beachten Sie bei der Montage

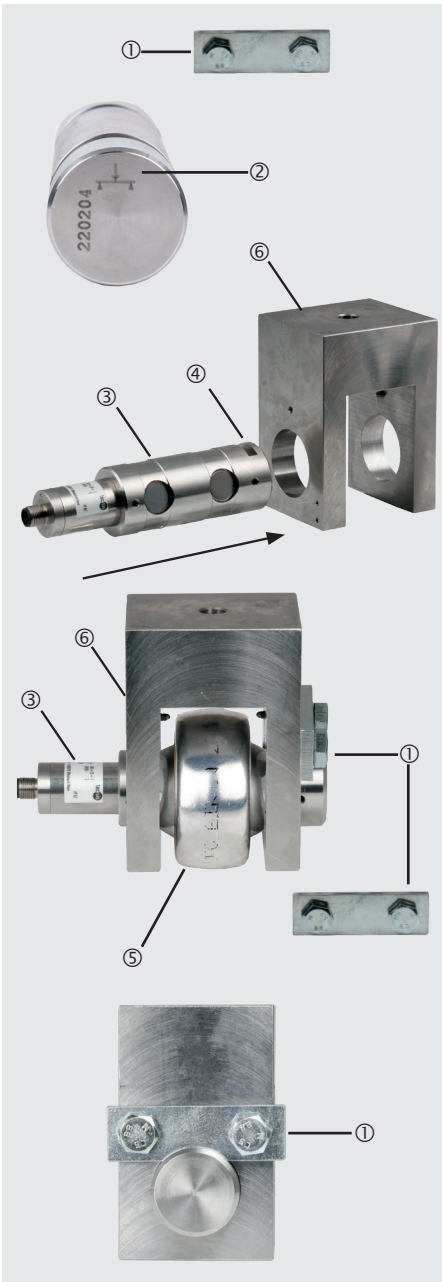


VORSICHT!

Beschädigung des Gerätes durch unsachgemäße Montage

- Die Montage der Messachse in die Einbauposition (Gabellager) darf nicht mit starker Gewalteinwirkung (z. B. Hammer) geschehen.
- Während des Einbaus der Messachse ist das Ausgangssignal (Kraftwert) stets zu überwachen, um eine mechanische Überlastung zu vermeiden.
- Torsions- und Querkräfte sind zu vermeiden. Zu den Querbelastungen und Seitenkräften gehören auch die entsprechenden Komponenten der eventuell schräg eingeleiteten Messgrößen.
- Torsionsmomente, außermittige Belastungen und Querbelastungen bzw. Seitenkräfte verursachen Messfehler und können die Messachse bleibend schädigen.
- Die Messachse darf nur in der vorgesehenen Lagerungsart belastet werden.
- Bei Belastung in anderen Vorrichtungen kann eine Veränderung des Nullsignals eine dauerhafte Schädigung zur Folge haben.
- Die Messachse darf nicht als Steighilfe verwendet werden.

5.3 Montage der Messachse



- ① Achshalter
- ② Krafrichtungspfeile
- ③ Messachse
- ④ Achshalternut
- ⑤ Krafeinleitung
- ⑥ Messachse Einbauposition

- Der Achshalter nach DIN 15058 ① ist so zu befestigen, dass die Messachse ③ in der Einbausituation ⑥ gegen Verdrehen und gegen Axialspiel gesichert ist.
- Achshalter ① darf im montierten Zustand nicht beansprucht werden (z. B. durch Achslast).
- Für den Achshalter ① nur unverlierbare Befestigungsmittel verwenden.
- Der Achshalter ① darf die Einfederung in Lastrichtung nicht behindern. Hinweis in der DIN 15058 für Achshalter beachten.
- Vor dem Einbau die Krafrichtungspfeile ② auf der Stirnseite der Messachse ③ sowie die Einbaulage beachten.
- Es muss sichergestellt werden, dass im montierten Zustand keine Kraftneben-schlüsse bestehen.
- Die Messachse ③ vorsichtig in die Einbauposition ⑥ (Gabellager) einführen, die Achshalternut ④ dient als Referenz zum Ausrichten der Messachse ③.
- Die Krafeinleitung ⑤ in der Mitte darf nicht wandern und ist so zu montieren, dass ein axiales Verschieben nicht möglich ist. Es darf kein Kraftneben-schluss entstehen.
- Die Messachse ③ ausrichten und den Achshalter ① montieren.

5. Inbetriebnahme, Betrieb

5.4 Elektrischer Anschluss

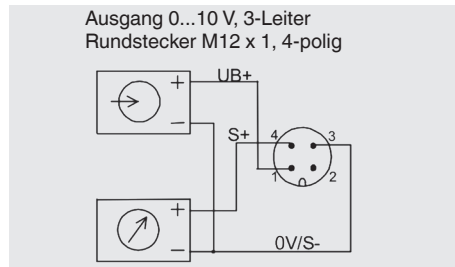
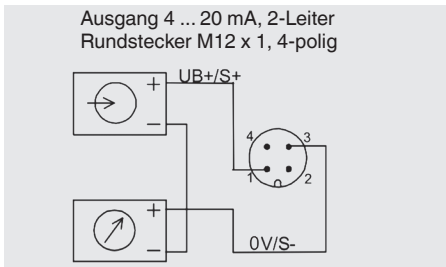
Um Einkopplungen von Störungen zu vermeiden folgende Hinweise beachten:

- Nur abgeschirmte, kapazitätsarme Messkabel verwenden (Kabel siehe Kapitel 10 „Zubehör“). Diese Kabel erfüllen die Bedingungen.
- Schirm des Messkabels erden.
- Den Kabelschirm mit dem Gehäuse der Messachse verbinden. Bei den Zubehörkabeln ist der Kabelschirm mit der Rändelmutter und damit mit dem Gehäuse der Messachse verbunden (Kabel siehe Kapitel 10 „Zubehör“).
- Messkabel nicht parallel zu Starkstrom- und Steuerleitungen legen.
- Streufelder von Transformatoren sowie Motoren und Schützen vermeiden.
- Aufnehmer, Verstärker und Verarbeitungs- bzw. Anzeigeeinheit dürfen nicht mehrfach geerdet werden. Alle Geräte an den selben Schutzleiter anschließen.

Die Anschlussbelegung des Steckers oder des Kabels sind dem Typenschild zu entnehmen.

Beim Verlängern dürfen nur abgeschirmte und kapazitätsarme Kabel verwendet werden. Die erlaubten maximalen und minimalen Längen des Kabels sind in der ISO 11898-2 angegeben. Dabei ist auf eine hochwertige Verbindung auch der Abschirmung zu achten.

5.4.1 Anschlussbelegung Analogausgang Typ F5301 Standard



Rundstecker M12 x 1, 4-polig

	4 ... 20 mA 2-Leiter	4 ... 20 mA 3-Leiter	0 ... 10 V 3-Leiter
UB+	1	1	1
0V/UB-	3	3	3
S+	1	4	4
S-	3	3	3
Schirm ⊕	Gehäuse	Gehäuse	Gehäuse

5. Inbetriebnahme, Betrieb

DE

Kabelbelegung		
Kabelfarbe	2-Leiter	3-Leiter
Braun	UB+/S+	UB+
Weiß	-	-
Blau	0V/S-	0V/S-
Schwarz	-	S+

Nur bei Verwendung der Standardkabel, z. B. EZE53X011016

5.4.2 Anschlussbelegung Typ F53C1 ATEX/IECEX

Rundstecker M12 x 1, 4-polig	
	ATEX Ex ib 4 ... 20 mA 2-Leiter
UB+	1
0V/UB-	3
S+	1
S-	3
Schirm ⊕	Gehäuse

Kabelbelegung	
Kabelfarbe	2-Leiter
Braun	UB+/S+
Weiß	-
Blau	0V/S-
Schwarz	-

Nur bei Verwendung der Standardkabel,
z. B. EZE53X011016

5.4.3 Anschlussbelegung Typ F5301 Signalhub

Rundstecker M12 x 1, 4-polig			
	4 ... 20 mA 2-Leiter	4 ... 20 mA 3-Leiter	0 ... 10 V 3-Leiter
UB+	1	1	1
0V/UB-	3	3	3
UR+	2	2	2
UR-	4	3	3
S+	1	4	4
S-	3	3	3
Schirm ⊕	Gehäuse	Gehäuse	Gehäuse

Kabelbelegung		
Kabelfarbe	2-Leiter	3-Leiter
Braun	UB+/S+	UB+
Weiß	UR+	UR+
Blau	0V/S-	0V/S-/UR-
Schwarz	UR-	S+

Nur bei Verwendung der Standardkabel, z. B. EZE53X011016

5.4.4 Anschlussbelegung Analogausgang redundant, gegenläufig

DE

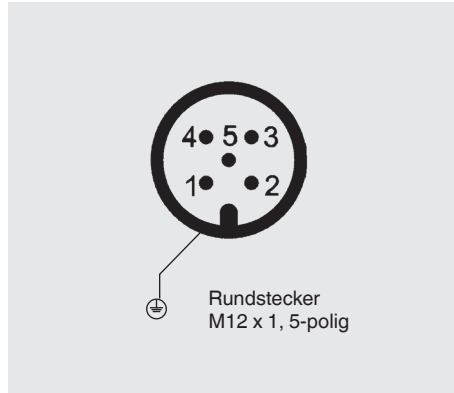
Rundstecker M12 x 1, 4-polig		
	4 ... 20 mA / 20 ... 4 mA (redundant)	
	Stecker 1	Stecker 2
UB+	1	1
0V/UB-	3	3
Signal: Kanal 1	4	-
Signal: Kanal 2	-	4
Schirm ⊕	Gehäuse	Gehäuse



2-Stecker-Variante bspw. in Kombination mit ELMS1 Überlastsicherung (F53S1).
Ausführung gem. Anforderung nach funktionaler Sicherheit gem. Maschinenrichtlinie
2006/42/EG.

5.4.5 Anschlussbelegung CANopen®

Rundstecker M12 x 1, 5-polig	
Schirm ⊕	1
UB+ (CAN V+)	2
UB- (CAN GND)	3
Bus-Signal CAN-High	4
Bus-Signal CAN-Low	5



5.5 Elektrischer Anschluss Ex-Bereich

Elektrische Daten Versorgungs- bzw. Signalstromkreis:

$UB_+ = DC\ 9 \dots 30\ V$

$I_{max} = 130\ mA$

$P_{max} = 750\ mW$

$C_i = 13,2\ nF$

Bei Messachsen mit Kabelanschluss sind folgende Werte zusätzlich zu berücksichtigen:

$C_L = 320\ nF/km$

$L_L = 0,44\ mH/km$

Die Messachse mit der Zündschutzart „ib“ dürfen nur mit potenzialgetrennten Speisege-
räten versorgt werden. Geeignete Speisetrenner siehe Kapitel 10 „Zubehör“.

Bei redundanter Ausführung der Messachse sind getrennte Kabelzuführungen vorzusehen. Bei einem Anschluss über ein einziges Kabel sind die Anforderungen nach IEC 60079-14 zu berücksichtigen. Unterschiedliche eigensichere Stromkreise sind im Kabel durch Schirmung zu trennen. Die Erdung aller Schirme ist sicherzustellen. Werden zwei eigensichere Stromkreise über einen Steckeranschluss mit der Messachse verbunden, so muss der Stecker vergossen sein und die Abstände zwischen den eigensicheren Stromkreisen müssen mindestens 1 mm betragen. Die Leitungen sind vor Beschädigung zu schützen. Beschädigte Kabel sind unverzüglich auszutauschen.

6. Störungen



GEFAHR!

Lebensgefahr durch Explosion

Durch Arbeiten in entzündlichen Atmosphären besteht Explosionsgefahr, die zum Tod führen kann.

- ▶ Störungen nur in nicht-entzündlichen Atmosphären beseitigen!



VORSICHT!

Körperverletzungen, Sachschäden

Können Störungen mit Hilfe der aufgeführten Maßnahmen nicht beseitigt werden, die Messachse unverzüglich außer Betrieb setzen.

- ▶ Kontakt mit dem Hersteller aufnehmen.
- ▶ Bei notwendiger Rücksendung die Hinweise unter Kapitel 9.2 „Rücksendung“ beachten.



Kontaktdaten siehe Kapitel 1 „Allgemeines“ oder Rückseite der Betriebsanleitung.

Störungen	Ursachen	Maßnahmen
Kein Ausgangssignal	Keine oder falsche Hilfsenergie, Stromstoß	Hilfsenergie korrigieren
	Leitungsbruch	Durchgang überprüfen
Kein oder falsches Ausgangssignal	Falsche Pinbelegung	Pinbelegung prüfen
Abweichendes Nullpunkt-Signal	Überlast, Last-Offset, falscher Anschluss	Rücksprache mit Hersteller
Gleichbleiben des Ausgangssignals bei Kraftänderung	Mechanische Überlastung, falsche Pinbelegung	Rücksprache mit Hersteller
Spannungsschwankend	EMV-Störquellen in Umgebung, z. B. Frequenzumrichter	Gerät abschirmen; Leitungsabschirmung; Störquelle entfernen
Spannung fällt ab/zu klein	Mechanische Überlastung	Rücksprache mit Hersteller

DE

7. Wartung und Reinigung



Kontaktinformationen siehe Kapitel 1 „Allgemeines“ oder Rückseite der Betriebsanleitung.

7.1 Wartung

Dieses Gerät ist wartungsfrei.

Reparaturen sind ausschließlich vom Hersteller durchzuführen.

Nur Originalteile verwenden (siehe Kapitel 10 „Zubehör“).

7.2 Reinigung

1. Vor der Reinigung die Messachse ordnungsgemäß von Spannungsversorgung trennen und ausbauen.
2. Die Messachse mit einem Tuch reinigen.
Elektrische Anschlüsse nicht mit Feuchtigkeit in Berührung bringen!



VORSICHT!

Beschädigung des Gerätes

Eine unsachgemäße Reinigung führt zur Beschädigung des Gerätes!

- ▶ Keine aggressiven Reinigungsmittel verwenden.
- ▶ Keine harten und spitzen Gegenstände zur Reinigung verwenden.

7.3 Rekalibrierung

DKD/DAkKS-Schein - amtliche Bescheinigungen:

Es wird empfohlen, die Messachse in regelmäßigen Zeitabständen von ca. 24 Monaten durch den Hersteller rekalibrieren zu lassen. Die Grundeinstellungen werden wenn notwendig korrigiert.

8. Demontage, Rücksendung und Entsorgung

8.1 Demontage



GEFAHR!

Lebensgefahr durch elektrischen Strom

Bei Berührung mit spannungsführenden Teilen besteht unmittelbare Lebensgefahr.

- ▶ Die Demontage des Gerätes darf nur durch Fachpersonal erfolgen.

DE

Die Messachse entlasten und vom Strom trennen. Den Achshalter lösen und die Messachse aus der Einbausituation entfernen.

8.2 Rücksendung

Beim Versand des Gerätes unbedingt beachten:

Alle an WIKA gelieferten Geräte müssen frei von Gefahrstoffen (Säuren, Laugen, Lösungen, etc.) sein und sind daher vor der Rücksendung zu reinigen.

Zur Rücksendung des Gerätes die Originalverpackung oder eine geeignete Transportverpackung verwenden.

Um Schäden zu vermeiden:

1. Das Gerät in eine antistatische Plastikfolie einhüllen.
2. Das Gerät mit dem Dämmmaterial in der Verpackung platzieren.
Zu allen Seiten der Transportverpackung gleichmäßig dämmen.
3. Wenn möglich einen Beutel mit Trocknungsmittel der Verpackung beifügen.
4. Sendung als Transport eines hochempfindlichen Messgerätes kennzeichnen.



Hinweise zur Rücksendung befinden sich in der Rubrik „Service“ auf unserer lokalen Internetseite.

8.3 Entsorgung

Durch falsche Entsorgung können Gefahren für die Umwelt entstehen. Gerätekomponten und Verpackungsmaterialien entsprechend den landesspezifischen Abfallbehandlungs- und Entsorgungsvorschriften umweltgerecht entsorgen.



Nicht mit dem Hausmüll entsorgen. Für eine geordnete Entsorgung gemäß nationaler Vorgaben sorgen.

9. Technische Daten

DE

Typen	F5301	F53S1
Nennkraft F_{nom}	10 kN / 20 kN / 30 kN / 50 kN / 70 kN (weitere auf Anfrage)	
Relative Linearitätsabweichung $d_{lin}^{1)}$	$\pm 1 / \pm 1,5 / \pm 2 \%$ F_{nom}	
Relative Spannweite in unveränderter Einbaulage b_{rg}	0,2 % F_{nom}	
Temperatureinfluss <ul style="list-style-type: none"> ■ Nullsignal TK_0 ■ Kennwert TK_C 	0,2 % $F_{nom} / 10$ K	
Grenzkraft F_L	150 % F_{nom}	
Bruchkraft F_B	300 % F_{nom}	
Querkrafteinfluss d_Q (Signal bei 100 % F_{nom} unter 90 °)	$\pm 5 \%$ F_{nom}	
Nennmessweg s_{nom}	< 0,1 mm	
Material des Messkörpers	korrosionsbeständiger CrNi-Stahl 1.4542 ultraschallgeprüftes 3.1 Material / (optional 3.2)	
Nenntemperaturbereich $B_{T, nom}$	-20 ... +80 °C	-20 ... +80 °C
Gebrauchstemperaturbereich $B_{T, G}$	-30 ... +80 °C	-30 ... +80 °C
Lagerungstemperaturbereich $B_{T, S}$	-40 ... +85 °C	
Ausgangssignal (Nennkennwert) C_{nom}	(4 ...) 20 mA, 2-Leiter (4 ...) 20 mA, 3-Leiter 2 x (4 ...) 20 mA redundant	redundant, gegenläufig 4 ... 20 mA / 20 ... 4 mA Ausführung gem. Anforderung nach funktionaler Sicherheit gem. Maschinenrichtlinie 2006/42/EG
	DC (0 ...) 10 V, 3-Leiter DC 2 x (0 ...) 10 V redundant	
	CANopen® Konfiguration der Geräte-Adresse u. Baudrate Sync/Async, Node/Lifeguarding, Heartbeat; Nullpunkt und Spanne $\pm 10 \%$ einstellbar über Einträge ins Objektverzeichnis ²⁾	

9. Technische Daten

DE

Typen	F5301	F53S1
Strom/ Leistungsaufnahme	Stromausgang 4 ... 20 mA 2-Leiter: Signalstrom Stromausgang 4 ... 20 mA 3-Leiter: < 8 mA Spannungsausgang < 8 mA, CANopen®: < 1 W	Stromausgang 4 ... 20 mA: Signalstrom
Hilfsenergie	DC 10 ... 30 V für Stromausgang DC 14 ... 30 V für Spannungsausgang DC 12 ... 30 V für CANopen®	DC 10 ... 30 V für Stromausgang
Bürde	< $(UB - 10 V) / 0,024 A$ für Stromausgang > 10 kΩ für Spannungsausgang	< $(UB - 10 V) / 0,020 A$ (Kanal 1) für Stromausgang < $(UB - 7 V) / 0,020 A$ (Kanal 2) für Stromausgang
Einstellzeit	< 2 ms (innerhalb 10 % bis 90 % F_{nom}) ³⁾	
Schutzart (nach EN/IEC 60529)	IP67	
Vibrationsbeständigkeit (nach DIN EN 60068-2-6)	20 g, 100 h, 50 ... 150 Hz	
Elektrische Sicherheit	Verpol-, Überspannungs- und Kurzschlussfestigkeit	
Störemission	DIN EN 55011	
Störfestigkeit	nach DIN EN 61326-1/DIN EN 61326-2-3 (optional EMV-geschützte Ausführungen)	
Elektrischer Anschluss	Rundstecker M12 x 1, 4-polig CANopen® 5-polig	2-Steckervariante M12 x 1, 4-polig
Optionen	Zeugnisse, Festigkeitsnachweise, 3D-CAD Daten (STEP, IGES) auf Anfrage	

1) Relative Linearitätsabweichung ist gem. Richtlinie VDI/VDE/DKD 2638 Kap. 3.2.6 angegeben.

2) Protokoll gem. CiA 301, Geräteprofil 404, Kommunikationsdienst LSS (CiA 305).

3) Andere Einstellzeiten auf Anfrage möglich.

CANopen® und CiA® sind registrierte Gemeinschaftsmarken des CAN in Automation e. V.

9. Technische Daten

DE

Typen	F53C1 ATEX/IECEX Ex ib 1)	F5301 Signalhub
Nennkraft F_{nom}	10 kN / 20 kN / 30 kN / 50 kN / 70 kN (weitere auf Anfrage)	
Relative Linearitätsabweichung $d_{lin}^{2)}$	$\pm 1 / \pm 1,5 / \pm 2 \% F_{nom}$	
Relative Spannweite in unveränderter Einbaulage b_{rg}	0,2 % F_{nom}	
Temperatureinfluss ■ Nullsignal TK_0 ■ Kennwert TK_C	0,2 % $F_{nom} / 10 K$	
Grenzkraft F_L	150 % F_{nom}	
Bruchkraft F_B	300 % F_{nom}	
Querkrafteinfluss d_Q (Signal bei 100 % F_{nom} unter 90 °)	$\pm 5 \% F_{nom}$	
Nennmessweg s_{nom}	< 0,1 mm	
Werkstoff des Messkörpers	korrosionsbeständiger CrNi-Stahl 1.4542 ultraschallgeprüftes 3.1 Material / (optional 3.2)	
Nenntemperaturbereich $B_{T, nom}$	-20 ... +80 °C	
Gebrauchstemperaturbereich $B_{T, G}$	Ex II 2G Ex ib IIC T4 Gb -25 °C < Tamb < +85 °C Ex II 2G Ex ib IIC T3 Gb -25 °C < Tamb < +100 °C Ex I M2 Ex ib I Mb -25 °C < Tamb < +85 °C Ex II 2G Ex ib IIC T4 Gb -40 °C < Tamb < +85 °C Ex I M2 Ex ib I Mb (nur mit Kabelanschluss verfügbar)	-30 ... +80 °C
Lagerungstemperaturbereich $B_{T, S}$	-40 ... +85 °C	
Ausgangssignal (Nennkennwert) C_{nom}	(4 ...)20 mA, 2-Leiter -	4 ... 16 mA, 2-Leiter ³⁾ DC 2 ... 8 V, 3-Leiter ³⁾
Strom/ Leistungsaufnahme	Stromausgang 4 ... 20 mA 2-Leiter: Signalstrom	Stromausgang 4 ... 20 mA 2-Leiter: Signalstrom Stromausgang 4 ... 20 mA 3-Leiter: < 8 mA Spannungsausgang: < 8 mA
Hilfsenergie	DC 10 ... 30 V für Stromausgang	DC 10 ... 30 V für Stromausgang DC 14 ... 30 V für Spannungsausgang

ADPR1X914035.02 01/2019 EN/DE

9. Technische Daten

DE

Typen	F53C1 ATEX/IECEX Ex ib 1)	F5301 Signalhub
Bürde	< (UB - 10 V) / 0,024 A für Stromausgang > 10 kΩ für Spannungsausgang	
Einstellzeit	< 2 ms (innerhalb 10 % bis 90 % F _{nom}) 4)	
Schutzart (nach EN/IEC 60529)	IP67	
Vibrationsbeständigkeit (nach DIN EN 60068-2-6)	20 g, 100 h, 50 ... 150 Hz	
Elektrische Sicherheit	Verpol-, Überspannungs- und Kurzschlussfestigkeit	
Störemission	DIN EN 55011	
Störfestigkeit	nach DIN EN 61326-1/DIN EN 61326-2-3 (optional Ausführungen mit erhöhter Störfestigkeit)	
Elektrischer Anschluss	Rundstecker M12 x 1 - 4-polig MIL-Stecker Kabelverschraubung	Rundstecker M12 x 1 - 4-polig Kabelverschraubung
Optionen	Zeugnisse, Festigkeitsnachweise, 3D-CAD Daten (STEP, IGES)	
Zertifikate (optional)	ATEX: nach EN 60079-0:2012 und EN 60079-11:2012 (Ex ib) IECEX: nach IEC 60079-0:2011 (Ed. 6) und IEC 60079-11:2011 (Ed. 6) (Ex ib) UL: nach UL 61010-1 und CSA C22.2 NO. 61010-1 DNV GL standard DNVGL-ST-0377 DNV GL standard DNVGL-ST-0378	

1) Die Messachsen mit der Zündschutzart „ib“ dürfen nur mit potenzialgetrennten Speisegeräten versorgt werden. Geeignete Speisetrenner können wir optional anbieten z. B. EZE08X030003.

2) Relative Linearitätsabweichung ist gem. Richtlinie VDI/VDE/DKD 2638 Kap. 3.2.6 angegeben.

3) Andere Signalhübe sind auf Anfrage realisierbar.

4) Andere Einstellzeiten sind auf Anfrage realisierbar.

10. Zubehör

WIKA-Zubehör finden Sie online unter www.wika.de.

10.1 Kabel

DE

Kabel mit Rundstecker M12 x 1

Kabeldose M12 x 1		Bestellnummer		
		l = 2 m	l = 5 m	l = 10 m
4-polig mit Kabel	gerade	EZE53X011010	EZE53X011012	EZE53X011016
	gewinkelt	EZE53X011011	EZE53X011013	EZE53X011017
5-polig mit Kabel	gerade	EZE53X011043	EZE53X011044	EZE53X011047
	gewinkelt	EZE53X011045	EZE53X011046	EZE53X011071

Andere Kabellängen und Kabelarten sind auf Anfrage erhältlich.

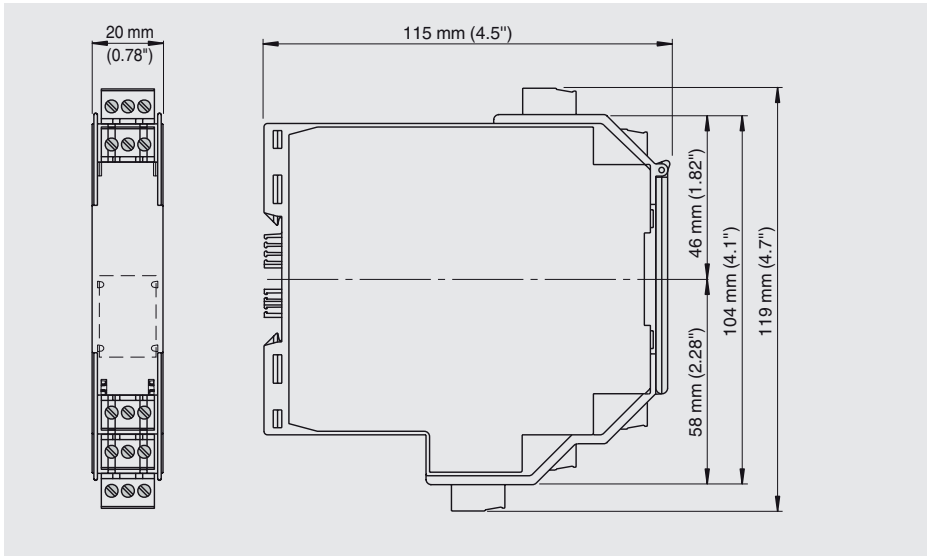
10. Zubehör

10.2 Speisetrenner

1-kanalig mit DC 24 V Versorgung (Power Rail)

Das analoge Eingangssignal wird als galvanisch getrennter Stromwert in den sicheren Bereich übertragen. Dem Eingangssignal können auf der Ex- oder Nicht-Ex-Seite binäre Signale überlagert werden, die bidirektional übertragen werden.

DE



Speisetrenner	Bestellnummer
1-kanalig mit DC 24 V Versorgung	EZE08X030003



DE

EU-Konformitätserklärung EU Declaration of Conformity

Dokument Nr.: ADEUKX100002.03
Document No.:

Wir erklären in alleiniger Verantwortung, dass die mit CE gekennzeichneten Produkte
We declare under our sole responsibility that the CE marked products

Typenbezeichnung: F5301*, F53S1*, F53C1.*.XX* ⁽¹⁾
Type Designation:

Beschreibung: Messachse
Description: Load pin

gemäß gültiger Betriebsanleitung:
according to the valid operating instructions: ADPR1X914035

die wesentlichen Schutzanforderungen der folgenden Richtlinien erfüllen:
comply with the essential protection requirements of the directives: Harmonisierte Normen:
Harmonized standards:

2011/65/EU	Gefährliche Stoffe (RoHS) Hazardous substances (RoHS)	EN 50581:2012
2014/30/EU	Elektromagnetische Verträglichkeit (EMV) Electromagnetic Compatibility (EMC)	EN 61326-1:2013-07 EN 61326-2-3:2013-07 EN 61326-3-1:2008-11 mod. 1 2009-04 EN 55011:2011-04
2014/34/EU	Explosionsschutz (ATEX) Explosion protection (ATEX)	
	II 2G Ex ib IIC T4/T3 Gb (XX=12/16/17) ⁽¹⁾	
	II 2G Ex ib IIC T4 Gb (XX=15) ⁽¹⁾	EN 60079-0:2012 +A11:2013
	I M2 Ex ib I Mb (XX=14) ⁽¹⁾	EN 60079-11:2012
	II 2G Ex ib IIC T4 Gb (XX=21) ⁽¹⁾	
	I M2 Ex ib I Mb (XX=21) ⁽¹⁾	

- (1) (* = mehrere alphanumerische Zeichen; XX=12/14/15/16/17/21)
(* = multiple alphanumeric letter; XX=12/14/15/16/17/21)
- (2) EG-Baumusterprüfbescheinigung BVS 08 ATEX E 075 X von DEKRA EXAM GmbH, (Reg.-Nr. 0158).
EG type-examination certificate BVS 08 ATEX E 075 X of DEKRA EXAM GmbH, (Reg. no. 0158).

Unterzeichnet für und im Namen von / Signed for and on behalf of

tecsis GmbH
Offenbach, 2018-11-16

Stefan Richter, Managing Director

Ralf Both, Engineering Manager

tecsis GmbH
Carl-Legien-Str. 40 - 44
63075 Offenbach am Main
Germany

Tel: +49 69 5806-0
Fax: +49 69 5806-7788
E-Mail: info@tecsis.de
www.tecsis.de

Sitz Offenbach - Offenbach am Main
Registernummer: HR B 40169
Geschäftsführer: Stefan Richter u. Axel Kaltföten

1BAR-0XXXX

ADPR1X914035.02 01/2019 EN/DE