



SAF-FRO

DIGISTEEL III 420/520
DIGIPULS III 420/520

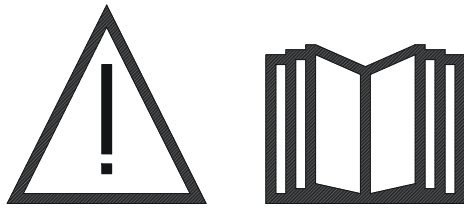


EN INSTRUCTIONS FOR OPERATION AND MAINTENANCE

Cat n° : 8695-1251
Rev : D
Date : 02/2018



Contact : www.saf-fro.com



EN Arc welding and plasma cutting may be dangerous for the operator and persons close to the work area. Read the operating manual.

1 - GENERAL INFORMATION	4
1.1. PRESENTATION OF INSTALLATION	4
1.2. WELDING SET COMPONENTS	4
1.3. TECHNICAL SPECIFICATIONS	5
2 - START UP	6
2.1. ELECTRICAL CONNECTION TO THE MAINS	6
2.2. CONNECTION OF THE COOLING UNIT	6
2.3. WIRE FEEDER SPARE PARTS	6
2.4. CONNECTION OF TORCH AND COOLING UNIT	6
2.5. GAS INLET CONNECTION	7
2.6. STARTING UP	7
3 - INSTRUCTIONS FOR USE	8
3.1. FRONT PANEL FUNCTIONS	8
3.2. CALIBRATE THE POWER SOURCE	9
3.3. DISPLAY AND USE	9
4 - OPTIONS, ACCESSORIES	12
5 - HARNESSSES AND TORCHS	14
5.1. HARNESSSES	14
5.2. TORCHES	14
5.3. PUSH PULL TORCHES	14
5.4. POTENTIOMETER TORCHES	14
6 - MAINTENANCE	15
6.1. GENERAL	15
6.2. ROLLERS AND WIRE GUIDE	15
6.3. TORCH	15
6.4. SPARE PARTS	16
6.5. TROUBLESHOOTING PROCEDURE	20
6.6. SCHEMA ELECTRIQUE	22
7 - ANNEXES	25
7.1. PRESENTATION OF WELDING PROCESSES	25
7.2. ADVANCED WELDING CYCLE	27
7.3. SYNERGIES LIST	30

1 - GENERAL INFORMATION

1.1. PRESENTATION OF INSTALLATION

DIGISTEEL III 420-520 / DIGIPULS III 420-520 is a manual welding set that enables the following:

- + MIG-MAG welding with short arc, speed short arc and HPS, and pulse normal et pulsé bas bruit using currents from 15A to 420A or from 15A to 520A (only on the DIGIPULS),
- + Feeding different types of wire
 - ⇒ Steel, stainless steel, aluminum and special wires
 - ⇒ Solid and cored wires
 - ⇒ Diamètres de 0.6-0.8-1.0-1.2-1.4-1.6mm
- + Coated electrode welding
- + Gouging process (requires KIT W000010999)
- + Braze welding MIG wire with CUPRO Alu or CUPRO silicium

The welding set is delivered as ready-for-use package in conjunction with the DVU P400 or DVU P500 wire feeders.

1.2. WELDING SET COMPONENTS

The welding set consists of 5 main components :

1. Power source including its primary cable (5m) and its ground strip (5m)
2. Cooling unit (optional),
3. Wire feeder,
4. Double-disconnectable harness between the wire feeder and the power source,
5. Workshop trolley (optional),

Each item is ordered and supplied separately.

Options ordered with the welding set are delivered separately. To install these options, refer to the instructions supplied with the option.



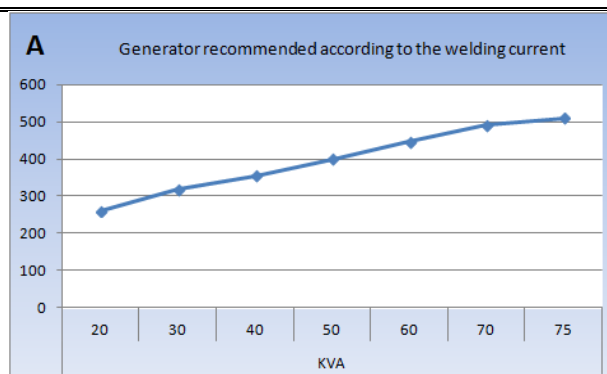
WARNING : The plastic handles are not intended for slinging the set. Stability of the equipment is guaranteed only for an incline of maximum 10°.

1.3. TECHNICAL SPECIFICATIONS

	DIGISTEEL III 420 W000383615	DIGISTEEL III 520 W000383617	DIGIPULS III 420 W000383661	DIGIPULS III 520 W000383662
Primary side				
Primary power supply	400 V	400 V	400 V	400 V
Primary power supply frequency	50/60Hz	50/60Hz	50/60Hz	50/60Hz
Effective primary consumption	18,5 A	28,5 A	21,1 A	28,5 A
Maximum primary consumption	26 A	33,9 A	27,1 A	33,9 A
Fuse primary	25 A Gg	32 A Gg	25 A Gg	32 A Gg
Maximum apparent power	18 KVA	23,8 KVA	18,9 KVA	23,8 KVA
Maximum active power	17,2 KW	22,4 KW	17,7 KW	22,4 KW
Active power in standby (IDLE)	28 W	29 W	29 W	29 W
Efficiency at maximum current (MIG)	87	89	87	89
Power factor at maximum current (MIG)	0,96	0,94	0,93	0,94
Cos Phi	0,99	0,99	0,99	0,99
Secondary side				
No load voltage (according standard) en MIG	57 V	73 V	73 V	73 V
Welding range Max MIG	14,8V / 35 V 15A / 420A	14,8V / 39 V 15A / 500A	14,8V / 35 V 15A / 420A	14,8V / 39 V 15A / 500A
Welding range Max MMA	15A / 420A	15A / 500A	15A / 420A	15A / 500A
Duty cycle at 100% en MIG (10 min cycle at 40°C)	350A	450A	350A	450A
Duty cycle at 60% en MIG (6 min cycle at 40°C)	380A	500A	420A	500A
Duty cycle at maximum current at 40°C en MIG	40%	60%	60%	60%
Miscellaneous				
Dimensions (Lxwxh)	720 x 295 x 525	720 x 295 x 525	720 x 295 x 525	720 x 295 x 525
Weight	34 kg	40 kg	36 kg	40 kg
Operating temperature	-10° C / +40° C	-10° C / +40° C	-10° C / +40° C	-10° C / +40° C
Storage temperature	-20° C / +55° C	-20° C / +55° C	-20° C / +55° C	-20° C / +55° C
Torch connection	"Européen"	"Européen"	"Européen"	"Européen"
Protection index	IP 23	IP 23	IP 23	IP 23
Insulation class	H	H	H	H
Standard	60974-1 & 60974-10	60974-1 & 60974-10	60974-1 & 60974-10	60974-1 & 60974-10



WARNING: This power source cannot be used in falling rain or snow. It may be stored outside, but it is not designed for use without protection during raining.



2 - START UP

2.1. ELECTRICAL CONNECTION TO THE MAINS

Le **DIGISTEEL III 420-520 / DIGIPULS III 420-520** are a 400V 3-phases welding-set.

If your mains supply corresponds to requirements, connect the 3-phases + ground plug to the end of the power cable.



WARNING : Provided that the public low voltage system impedance at the point of common coupling is lower than :

98,2 mΩ for the **DIGISTEEL III 420**

28 mΩ or the **DIGIPULS III 420**

20,6 mΩ or the **DIGISTEEL III 520** and **DIGIPULS III 520**.

This equipment is compliant with IEC 61000-3-11 and IEC 61000-3-12 and can be connected to public lowvoltage systems. It is the responsibility of the installer or user of the equipment to ensure, by consultation with the distribution network operator if necessary, that the system impedance complies with the impedance restrictions.



WARNING: This Class A equipment is not intended for use in residential locations where the electrical power is provided by the public low-voltage supply system. There may be potential difficulties in ensuring electromagnetic compatibility in those locations, due to conducted as well as radiated disturbances.

2.2. CONNECTION OF THE COOLING UNIT



WARNING: This must be carried out with the power source OFF.

Connect the harness to the wire feeder while using the appropriate connector locations.

Connect the other end of the harness to the power source.

Connect the MIG welding torch to the wire feeder.

2.3. WIRE FEEDER SPARE PARTS

		INPUT WIRE GUIDE	ADAPTATOR	ROLLER	INTERMEDIATE WIRE GUIDE	OUTPUT WIRE GUIDE	
STEEL Stainless STEEL	0,6 / 0,8	Plastic W000277333	W000277338	W000305125	W000277334	W000277335	
	0,9 / 1,2			W000277008		W000277335	W000277336
	1,0 / 1,2			W000267599			
	1,2 / 1,6			W000305126		W000277336	
	1,4 / 1,6			W000277009			
FLUX-CORED WIRE	0,9 / 1,2	W000277333	W000277338	W000277010	W000277334	W000277335	
	1,2 / 1,6			W000266330		W000277335	W000277336
	1,4 / 1,6			W000277011		W000277336	
LIGHT ALLOYS	1,0 / 1,2			ALUKIT W000277622			
	1,2 / 1,6			ALUKIT W000277623			

Possible use of steel rollers ALU with steel wire and coated wire.

Mounting roller

The mounting of the rollers on the deck requires an adapter réf. W000277338.

2.4. CONNECTION OF TORCH AND COOLING UNIT

The MIG welding torch is connected to the front of the wire feeder, after ensuring it has been properly outfitted with the wear parts corresponding to the wire used for welding.

For this purpose, please refer to the torch instructions.

If you use a WATER torch, connect your cooling unit to the rear of the generator, as well as to the "water" harness.



WARNING:

No-load operation of the Cooling Unit while unconnected to a torch may cause its destruction.

2.5. GAS INLET CONNECTION

The gas hose is linked to the harness connecting the power source to the wire feeder. Simply connect it to the pressure-regulator outlet of the gas cylinder.

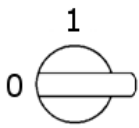
- + Place the gas cylinder on the trolley at the rear of the power source and fasten the bottle using the strap.
- + Open the cylinder valve slightly to allow existing impurities to escape and then reclose it.
- + Mount the pressure regulator/flow meter
- + Connect the gas hose supplied with the wire feeder harness to the regulator's outlet

During welding, the gas flow rate should be between 10 and 20l/min.



WARNING: Make sure the gas cylinder is properly secured on the trolley by attaching the safety strap.

2.6. STARTING UP



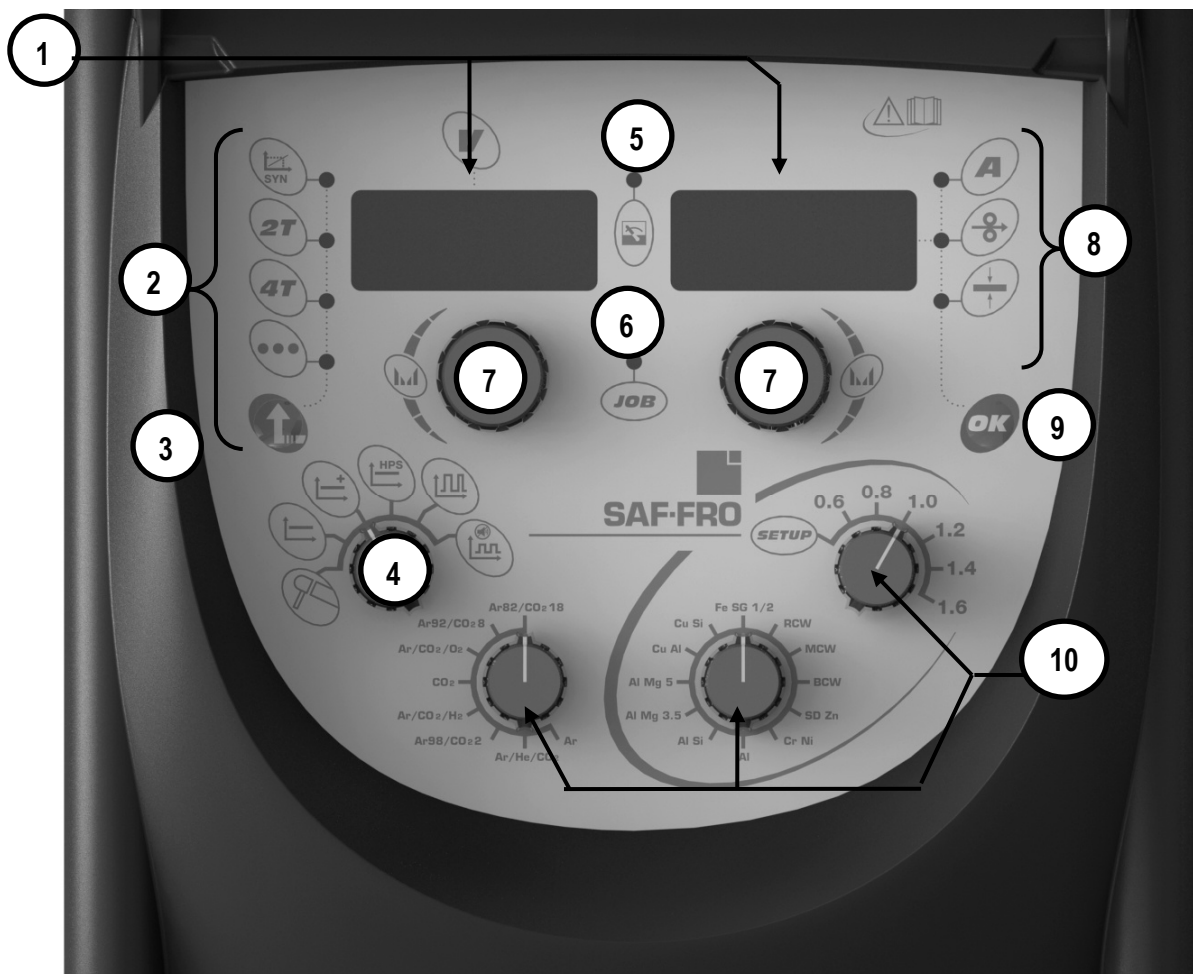
The main switch is located at the rear of the power source. Flip this switch to turn the machine on.

Note: This switch must never be flipped during welding.

At each start-up, the power source displays the software version, the power and the connected optional device, as relevant of the power source.

3 - INSTRUCTIONS FOR USE

3.1. FRONT PANEL FUNCTIONS



- 1 Left display: Voltage Right display: Current/ wire speed /wire thickness
- 2 Display for selection of welding mode
- 3 Selector button for welding mode
- 4 Selector switches for welding process
- 5 Measurement indicator of displayed values (pre-welding, welding and post-welding data)
- 6 Led indicator for program mode
- 7 Encoder navigation
- 8 Encoder for current, wirespeed, metal sheet thickness setup
- 9 Selector button for pre-display
- 10 Selector switch for type of gas, wire diameter and type of welding wire

3.2. CALIBRATE THE POWER SOURCE



WARNING:

Calibration is unavailable step to achieve quality welding. If polarity is reversed, this step must be repeated.

- Step 1:** Turn the selector to SETUP position and press the OK button to access the **CO**nFIG Setup screen.
- Step 2:** Select the **Ca**L parameter with the left-hand encoder and select **On** with the right-hand encoder.
- Step 3:** Press the OK button on the front panel. The display unit indicates **triGEr**.
- Step 4:** Remove the torch nozzle.
- Step 5:** Cut the wire.
- Step 6:** Place the piece in contact with the contact tube.
- Step 7:** Press the trigger.
- Step 8:** The display will indicate the value of L (harness inductance).
- Step 9:** Display the value of R using the right-hand encoder (harness resistance).
- Step 10:** Exit SETUP.

3.3. DISPLAY AND USE

3.3.1. Synergic mode

The Current, Voltage and Thickness values listed for each wire feed speed setting are provided for information purposes only. They correspond to measurements under given operating conditions, such as position, length of the end section (flat position welding, butt welding). The unit's current/voltage display corresponds to the average measured values, and they may differ from the theoretical values.

Led indicator for program mode:

- ⇒ OFF: pre-welding display of instructions.
- ⇒ ON: Display of measurements (average values).
- ⇒ Flashing: Measurements during welding.

Selection of wire, diameter, gas, welding process

Select the type of wire, the wire diameter, the used welding gas and welding process by turning the appropriate switch.

Selection of the material will determine the available values for diameter, gas and processes.

If synergy does't exist, power source displays nOt SYn GAS SYn, dIA SYn ou Pro SYn.

Selection of welding mode, arc length and pre-welding display

Select welding mode 2T, 4T, spot, synergic and manual by using press button return (3). Arc length can be adjusted with left encoder (7) and pre-welding display adjustment is performed with right encoder (8). The selection of pre-welding preset is performed with press button OK. (10)

3.3.2. Manual mode:

This is the disengaged mode of the welding machine. Adjustable parameters for it are wire speed, arc voltage and fine setting.

In this mode, only the wire speed value is displayed.

3.3.3. SETUP mode

Accessing the SETUP:

The SETUP screen can only be accessed when no welding is in progress, by setting the Wire Diameter selector on the front panel to position 1.

It consist in two pull-down menu :

'CYCLE' → Setting for the cycle phases.

'COnFIG' → Power source configuration

Configuring the SETUP:

In SETUP position, select CYCLE or COnFIG by pressing the OK button.

Turn the **left-hand** encoder to scroll through the available parameters.

Turn the **right-hand** encoder to set their value.

No welding start. All the changes are saved on exiting the SETUP menu.

List of accessible parameters in COnFIG menu

Left display	Left display	Left display	Left display	Left display
GrE	On -;OFF – Aut		Aut	Configuration of the Water Cooling Unit. 3 possible states : - On : Forced on, watercooler is always activated - OFF : Forced off, watercooler is always deactivated - Aut : Automatic mode, Watercooler works when according need
ScU	nc – no - OFF		OFF	Security of water cooling. 3 possible states : - nc : Normally closed, - no : Normally open, - OFF : Deactivate
Unit	US – CE		CE	Unit displayed for wire speed and thickness: - US : inch unit - CE : meter unit
CPt	OFF– 0,01 – 1,00	0,01 s	0,30	Trigger holding time in order to call program (Only in 4T welding mode). Can be use only for welding program from 50 to 99.
LAn	Fr,dE,En,It,ES,PO, ,nL,SU,Pt,rO,dA, nO,Fi,Sh,CS,Hu		En	Choose language displayed only if RC-JOB or P500 wire feeder are connected French(Fr)-German(DE)- English(En)-Italian(It)- Spanish(ES)-Polish(PO)- Dutch(nL)- Swedish(SU)-Portuguese(Pt)- Romanian(RO)- Danish(DA)- Norwegian(NO)- Finnish(Fi)- Slovak(Sk)- Czech(CS)- Hungarian(Hu)
PGM	no – yES		no	Activate / deactivate program management mode
PGA	OFF – ;000 – 020 %	1 %	OFF	Use to setup available adjustment range of the following parameters: wire speed, arc voltage, arc dynamics, pulse fine-setting. Use only when program management is activated and programs are locked.
CAL	OFF – on		OFF	Calibration of torch & ground harness
AdJ	Loc – rC		Loc	Select adjustment Wire speed and arc voltage : - Loc : Local on the power source - rC : remote Control or torch potentiometer
L	0 – 50	1 uH	14	Cable choke setting / display
r	0 – 50	1 Ω	8	Cable resistor setting / display
SoF	no – yES		no	Software update mode.
FAC	no – yES		no	Factory settings reset. Pressing YeS will cause a reset of the parameters to factory defaults when exit SETUP menu.

List of accessible parameters in CYCLE menu

Left display	Left display	Left display	Left display	Left display
tPt	00.5 – 10.0	0,1 s	0,5	Spot time. In Spot mode and in Manual mode, the Hot Start, Downslope and sequencer settings cannot be changed
PrG	00.0 – 10.0	0,1 s	0,5	Pre-gas time
tHS	OFF – 00.1 – 10.0	0,1 s	0,1	Hot start time
IHS	-- 70 – 70	1 %	30	Hot start current (wire speed). X% ± the welding current
UHS	-- 70 – 70	1 %	0	Hot start voltage X% ± the arc voltage
dYn	--10 + 10 --20 – 20	1 %	0	Fine setting in short arc
rFP	--10 + 10 --20 + 20	1 %	0	Fine setting in pulse
dyA	00 – 100	1	50	Arc striking dynamics at electrode
tSE	OFF – 0.01 – 2.50	0,01 s	OFF	Sequencer time (Sequencer, only in synergic mode)
ISE	--90 + 90	1 %	30	Sequencer current level. X% ± the welding current
dSt	OFF – 00.1 – 05.0	0,1 s	OFF	Down-slope time
DdSI	-- 70 – 00.0	1 %	-- 30	Down-slope current (wire speed). X% ± the welding current
dSU	-- 70 – 70	1 %	0	Down-slope voltage. X% ± the arc voltage
Pr_	0.00 – 0.20	0,01 s	0,05	Anti-stick time
PrS	Nno – yES		no	Pr-Spray activation
PoG	00.0 – 10.0	0,05 s	0,05	Post-gas time

NOTE : The DIGISTEEL III 420-520 / DIGIPULS III 420-520 allows to lock program menu. This function is available on program screen with the parameter cod. The locking key entered has to be written in order to deactivate the function lock.

3.3.4. Program call with trigger

This function allows to chain from 2 to 10 programs. This function is available in 4T welding mode only and program management mode has to be activated

Program chaining :

The function program call works with programs from P50 to P99 by ten.

⇒ P50→P59 ; P60→P69 ; P70→P79 ; P80→P89 ; P90→P99

Selec first program with which you want to begin your chain. Then during welding, each time you will push trigger, program will change.

To chain less than ten programs, in the program following end of loop desired put a different parameter (As synergy or welding cycle).

It is possible to setup time of trigger push to detect change of program chain : SETUP → CPT → put value from 1 to 100 → exit SETUP

Example: Create a program list from P50 to P55 (6 programs).

- 1) In program P56, put different welding cycle or synergy than P55 in order to finish chain
- 2) Select program P50 (First program for start of welding)
- 3) Start welding
- 4) Each time trigger will be pushed, power source will change program until P55. When chain is finished, power source will restart to P50.

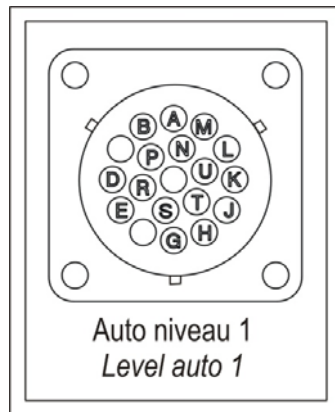
3.3.5. Automatisation

a) **DIGIPULS III** welding sets is very easily automated. Simply connect the J2 socket provided at the back of the set.

The wire markings are : LEVEL N1

RI current contact output: dry contact	K de J2
RI shared current contact output: dry contact	L de J2
Fault	T de J2
Shared fault	L de J2
Trigger input (+): to be placed on a dry contact	U de J2
Trigger input (-): to be placed on a dry contact	M de J2

To confirm the closing of contact ri, it is essential to position "aut ≠off". The delay in the closing of the contact is adjusted by the value "dep" in the "step" sub menu of setup.



Note : By default, the mode selected is the manual mode.

The type of operation selected is shown on the RH display.

SELECTION OF THE REMOTE CONTROL AUTOMATIC MODE WITH AN ANALOGUE SIGNAL

1. Position the switch on the power source front panel on « SET -UP ».
2. Press the « OK » key to select « Con FIG » on the display.
3. Position the LH selector to obtain « Aut » on the LH display.
4. Position the RH selector to obtain « n1 » on the RH display

4 - OPTIONS, ACCESSORIES

4.1 - WIRE FEED DVU P400, REF. W000275266



4.2 - WIRE FEED DVU P500, REF. W000275267



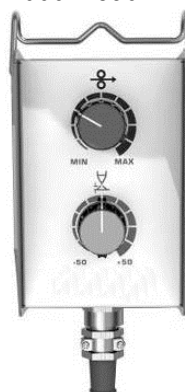
4-3 - COOLER UNIT, REF. W000273516



4.4 - REMOTE CONTROL RC JOB, Réf. W000273134



4.5 - REMOTE CONTROL 2 POTENTIOMETERS, Réf. W000275904



Fonctionnalités:

Adjust Wire speed during welding and out off welding

Adjust Arc voltage during welding and out off welding

4.6 - DUST FILTER, Réf. W000373703

4.7 - WORKSHOP TROLLEY, Réf. W000383000



Il permet de déplacer facilement la source de puissance dans un environnement d'atelier.

4.8 - SHIPYARD TROLLEY OPTION, Réf. W000372274

4.9 - SECURITE DE DEBIT OPTION, Réf. W000376539

4.10 - PUSH PULL OPTION, Réf. W000275907

4.11 - OPTION DEBITLITRE, Réf. W000376539

5 - HARNESSSES AND TORCHS

5.1. HARNESSSES

AIR harness 2 M – 70 MM ²	réf. W000275894
AIR harness 5 M – 70 MM ²	réf. W000275895
AIR harness 10 M – 70 MM ²	réf. W000275896
AIR harness 15 M – 70 MM ²	réf. W000275897
AIR harness 25 M – 70 MM ² (sur cde)	réf. W000276901
AIR harness 30 M – 70 MM ² (sur cde)	réf. W000371246
AIR harness 40 M – 70 MM ² (sur cde)	réf. W000371245
AIR harness 50 M – 70 MM ² (sur cde)	réf. W000371244

WATER harness 2 M – 95 MM ²	réf. W000275898
WATER harness 5 M – 95 MM ²	réf. W000275899
WATER harness 10 M – 95 MM ²	réf. W000275900
WATER harness 15 M – 95 MM ²	réf. W000275901
WATER harness 25 M – 95 MM ² (sur cde)	réf. W000276902

WATER harness 50 M – 95 MM² Nous consulter

ALUMINIUM WATER harness 2 M – 95 MM ²	réf. W000371044
ALUMINIUM WATER harness 5 M – 95 MM ²	réf. W000371045
ALUMINIUM WATER harness 10 M – 95 MM ²	réf. W000371175
ALUMINIUM WATER harness 15 M – 95 MM ²	réf. W000371174
ALUMINIUM WATER harness 25 M – 95 MM ²	réf. W000371239

5.2. TORCHES

PROMIG NG 341 - 3 M	réf. W000345066
PROMIG NG 341 - 4 M	réf. W000345067
PROMIG NG 341 - 5 M	réf. W000345068

PROMIG NG 341 W - 3 M	réf. W000345069
PROMIG NG 341 W - 4 M	réf. W000345070
PROMIG NG 341 W - 5 M	réf. W000345071

PROMIG NG 441 - 3 M	réf. W000345072
PROMIG NG 441 - 4 M	réf. W000345073
PROMIG NG 441 - 5 M	réf. W000345074

PROMIG NG 441W - 3 M	réf. W000345075
PROMIG NG 441W - 4 M	réf. W000345076
PROMIG NG 441W - 5 M	réf. W000345077

PROMIG NG 450W - 3 M	réf. W000274865
PROMIG NG 450W - 4 M	réf. W000274866
PROMIG NG 450W - 5 M	réf. W000274867

5.3. PUSH PULL TORCHES

PROMIG PP 341 8M	réf. W000385860
PROMIG PP 441W 8M	réf. W000385862
PROMIG PP 341 8M WITH POTENTIOMETER	réf. W000385861
PROMIG PP 441W 8M WITH POTENTIOMETER	réf. W000385863

5.4. POTENTIOMETER TORCHES

DIGITORCH P 341 - 4M	réf. W000345014
DIGITORCH P 341W - 4M	réf. W000345016
DIGITORCH P 441W - 4M	réf. W000345018


Apart from the standrd torch functions : it also enables adjusting the wire speed and arc length both during welding and when not welding.


6 - MAINTENANCE

6.1. GENERAL

Twice a year, depending on the use of the device, inspect the following:

- ⇒ cleanliness of the power source
- ⇒ electrical and gas connections

WARNING :	
	Never carry out cleaning or repair work inside the device before making sure that the unit has been completely disconnected from the mains.
	Dismantle the generator panels and use suction to remove dust and metal particles accumulated between the magnetic circuits and the windings of the transformer.
	Work must be performed using a plastic tip to avoid damage to the insulation of the windings.
	At each start-up of the welding unit and prior to calling customer support for technical servicing, please check that:
	<ul style="list-style-type: none"> ⇒ Power terminals are not improperly tightened. ⇒ The selected mains voltage is correct. ⇒ There is proper gas flow. ⇒ Type and diameter of the wire. Torch condition.

TWICE PER YEAR	
	⇒ Perform calibration of the current and voltage settings.
	⇒ Check electrical connections of the power, control and power supply circuits.
	⇒ Check the condition of insulation, cables, connections and pipes.

6.2. ROLLERS AND WIRE GUIDE

Under normal conditions of use, these accessories have a long serviceable life before their replacement becomes necessary. Sometimes, however, after being used over a period of time, excessive wear or clogging due to adhering deposits may be noted.

To minimise such harmful effects, make sure the wire feeder plate remains clean. The motor reduction unit requires no maintenance

6.3. TORCH

Regularly check the proper tightness of the connections of the welding current supply. Mechanical stresses related to thermal shocks tend to loosen some parts of the torch, particularly:

- ⇒ The contact tube
- ⇒ The coaxial cable
- ⇒ The welding nozzle
- ⇒ The quick connector

Check that the gasket of the gas inlet spigot is in good condition. Remove the spatter between the contact tube and the nozzle and between the nozzle and the skirt. Spatter is easier to remove if the procedure is repeated at short intervals.

Do not use hard tools that may scratch the surface of these parts and cause spatter to become attached to it..

- ⇒ SPRAYMIG SIB, W000011093
- ⇒ SPRAYMIG H20, W000010001

Blow out the liner after each change of a spool of wire. Carry out this procedure from the side of the quick fitting connector plug of the torch.

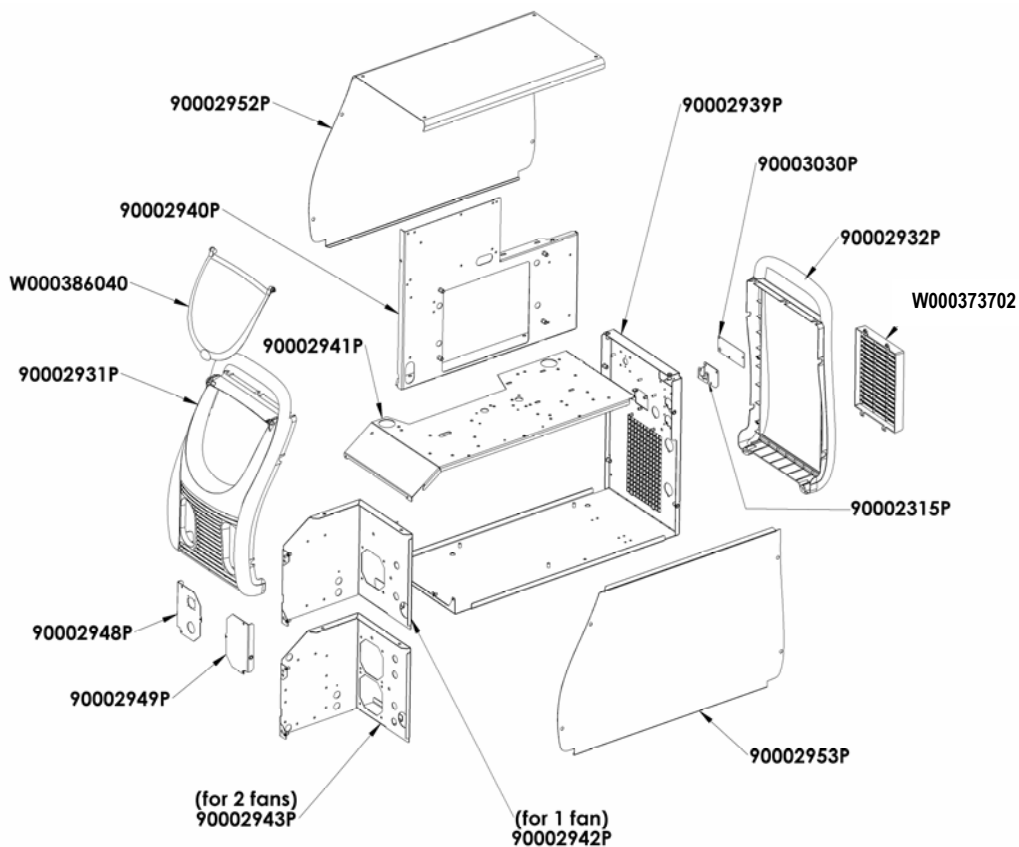
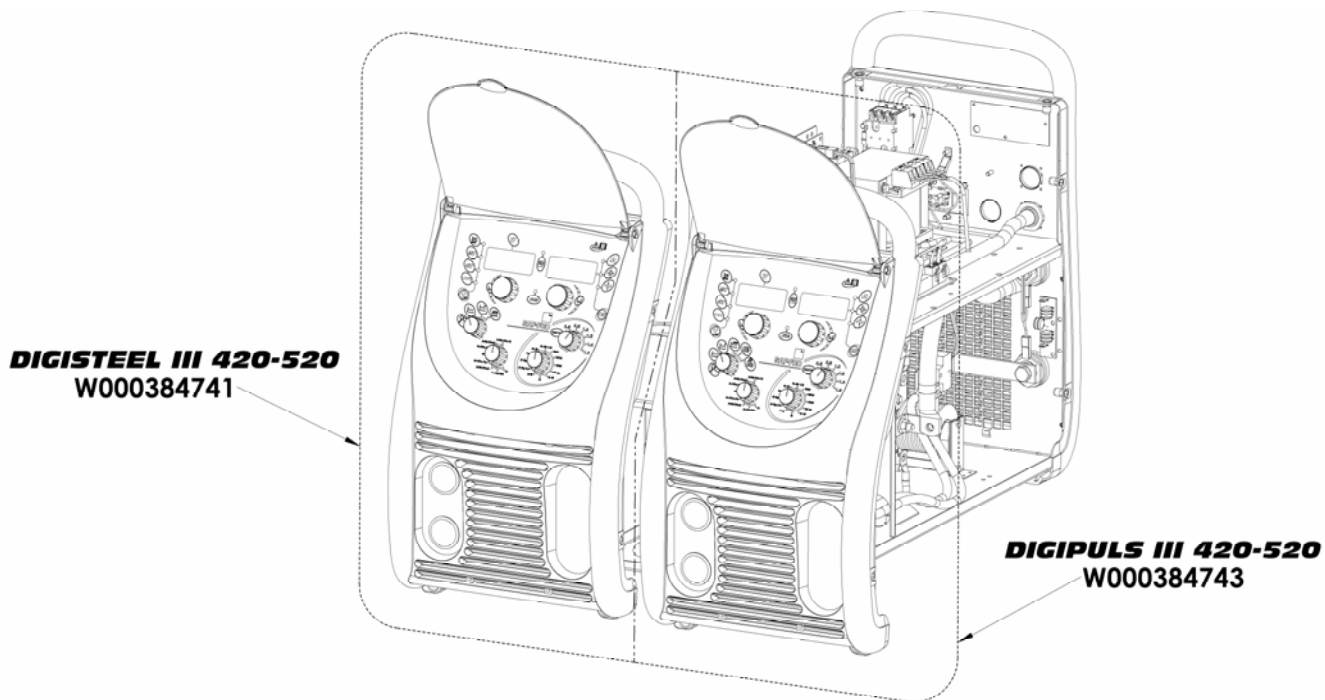
If necessary, replace the wire inlet guide of the torch.

Severe wear of the wire guide may cause gas leaks towards the rear of the torch.

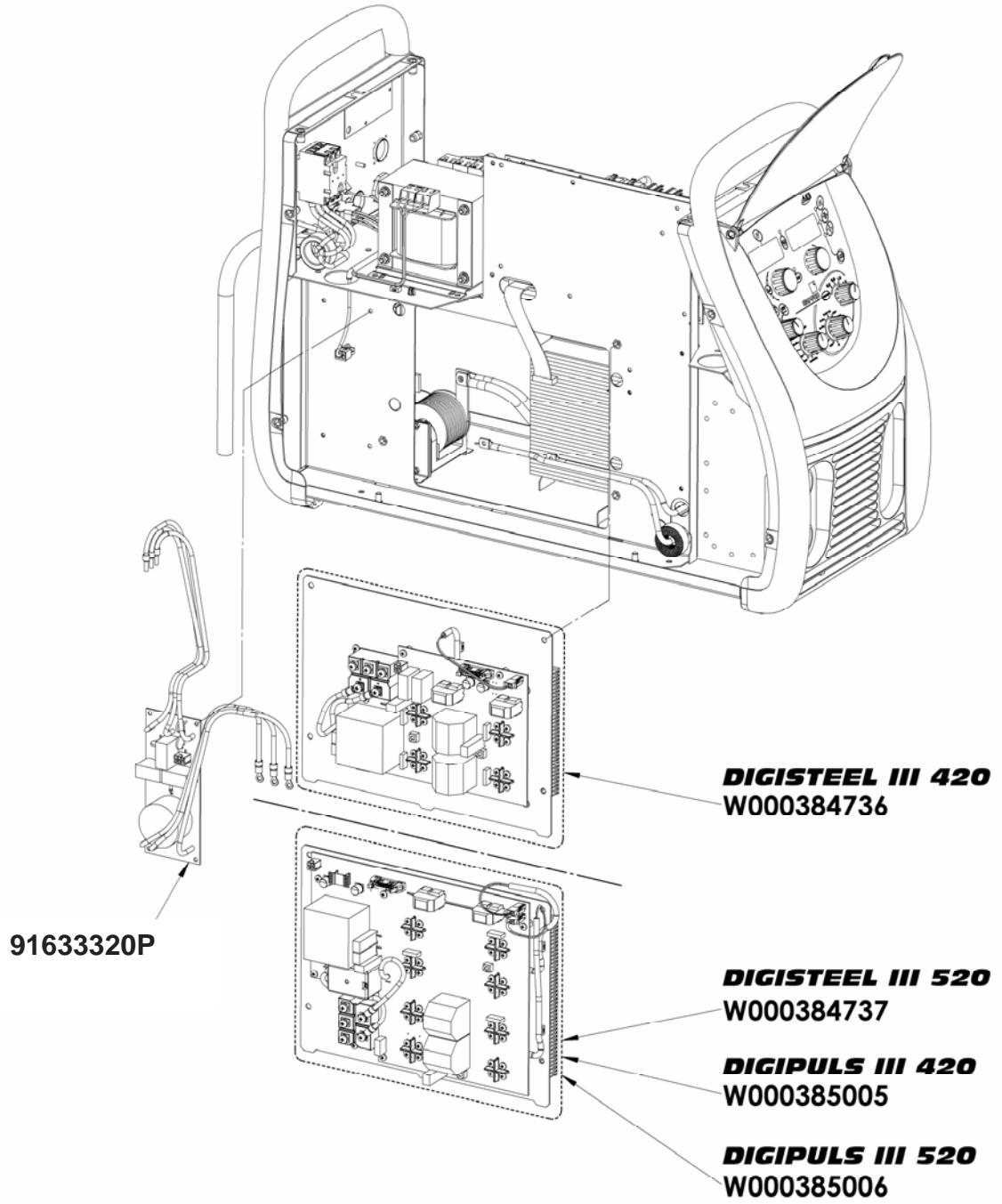
The contact tubes are designed for long use. Nevertheless, the passage of wire causes them to wear off, widening the bore more than the permissible tolerances for good contact between the tube and the wire.

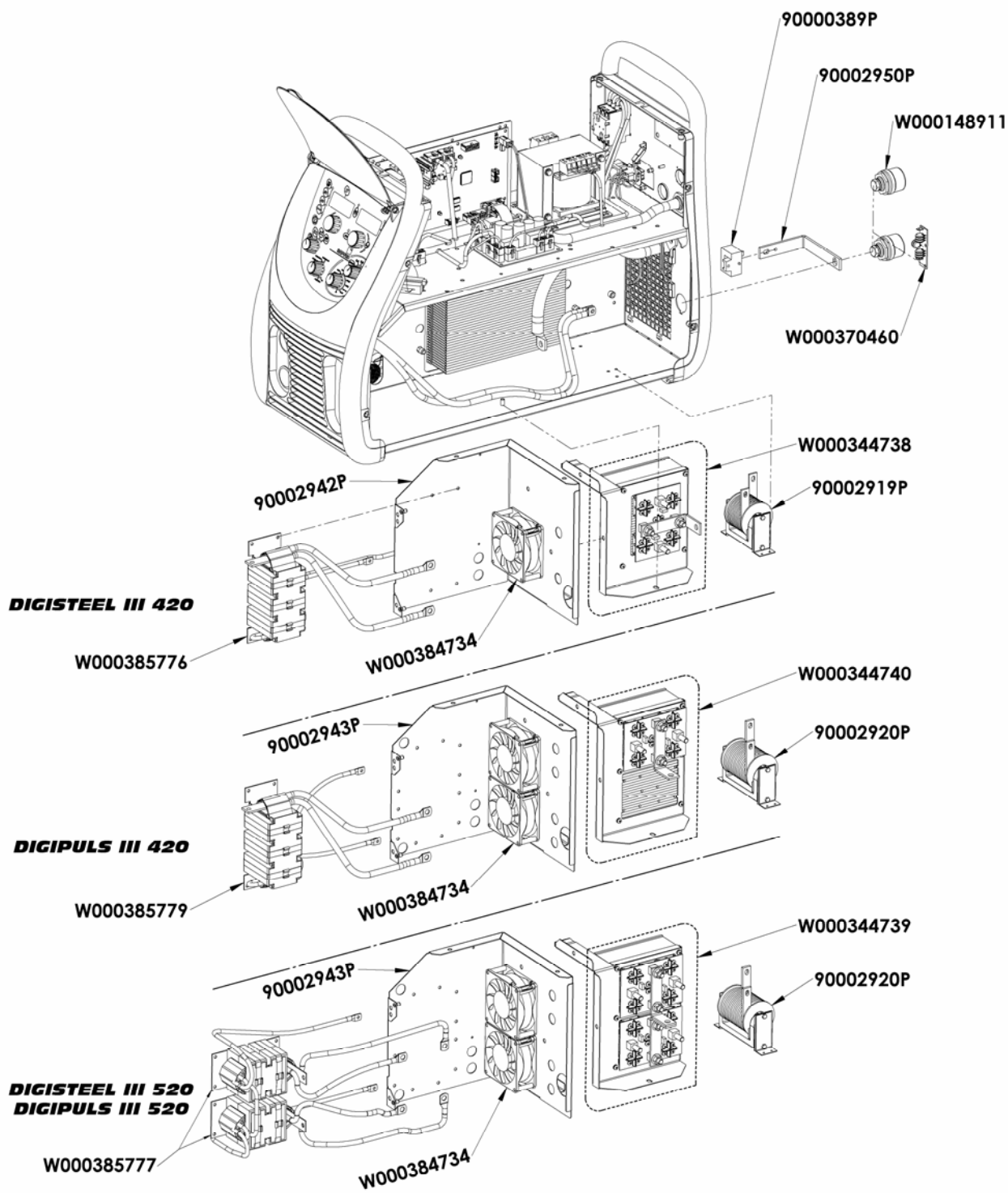
6.4. SPARE PARTS

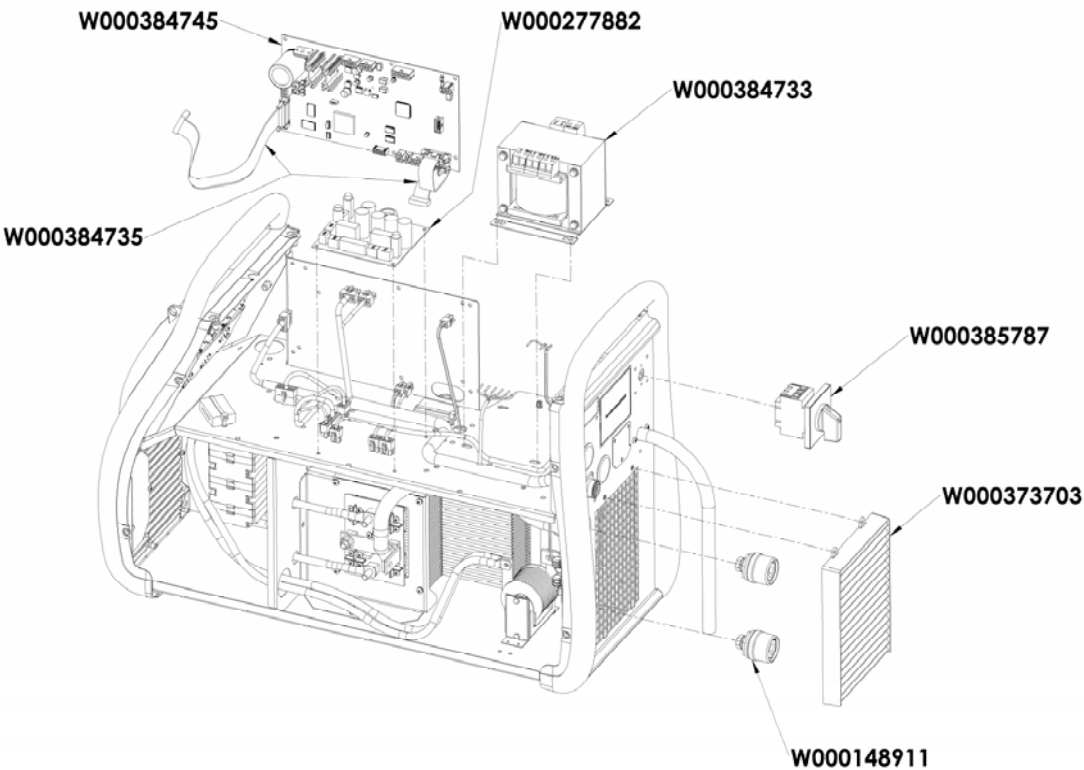
Front panel :



Composants interne et onduleur :







6.5. TROUBLESHOOTING PROCEDURE

Servicing of electrical equipment must be performed by qualified personnel only

CAUSES	SOLUTIONS
GENERATOR IS ON WHILE THE FRONT PANEL IS OFF	
Power source alimentation	Check the mains supply (to each phase)
DISPLAY OF THE MESSAGE E01 ond	
The maximum striking current of the power source was exceeded	Press the OK button to clear the fault. If the problem persists, call Customer Support
DISPLAY OF THE MESSAGE E02 inu	
Poor recognition of the source of power – only at start-up. Connectors	Call Customer Support Make sure that the ribbon cable between the inverter's main card and the cycle card is properly connected.
DISPLAY OF THE MESSAGE E07 400	
Inappropriate mains voltage	Make sure that the mains voltage is between 360V and 480V. If not, have your electrical system checked
DISPLAY OF THE MESSAGE E24 SE_n	
Connectors	Make sure that connector B9 is properly connected to the cycle card (if not, temperature measurement is not performed) The temperature sensor is out of order. Call Customer Support
DISPLAY OF THE MESSAGE E25°C	
Power source overheating Default ventilation	Let the generator cool off The fault disappears by itself after several minutes Make sure that the inverter fan works.
DISPLAY OF THE MESSAGE E33 MEM-LIM This message indicates that the memory is no longer operational	
Malfunctioning saving memory Default component	Call Customer Service.
DISPLAY OF THE MESSAGE E34 CFG	
Incoherent parameter selection. Ex : mode 4T en auto N1	Apply coherent selection
DISPLAY OF THE MESSAGE E43 brd	
Electronic card in default	Call Customer Service.
DISPLAY OF THE MESSAGE E50 H2o	
Cooler unit in default	Make sure that cooler unit is well plugged. Check cooler unit (Transformer, waterpump,...) If no cooler unit is used, deactivate parameter in SETUP menu.
DISPLAY OF THE MESSAGE E63 IMO	
Mechanical problem	Pressure roller is too tight. Wire feed hose is clogged with dirt. The lock of the wire feed spool axle is too tight.
DISPLAY OF THE MESSAGE E65-Mot	
Defective connectors Mechanical problem Power supply	Check the connection of the encoder ribbon cable to the wire feeder's motor. Make sure that the wire feeder assembly is not blocked. Check the connection of the motor's power supply. Check F2 (6A) on the auxiliary power card.
DISPLAY OF THE MESSAGE E71 -DIA-MET-GAS	
HMI selector PROCESS-DIAMETER-METAL-GAS in default	Turn selector to unlock, after call customer service if always in default
DISPLAY OF THE MESSAGE StE PUL	
Inverter not well recognized	Call customer service
DISPLAY OF THE MESSAGE I-A-MAX	

The maximum current of the power source is exceeded

Decrease wire speed or arc voltage.

DISPLAY OF THE MESSAGE bPXon

Message indicating that the OK button or CANCEL button is kept depressed at unexpected times

Push button to unlock, after call customer service if always in default

DISPLAY OF THE MESSAGE SPEXXX

Wire feeding is always activated involuntarily

Check the wire feeding button isn't blocked

Check the connection of this button and electronic board

DISPLAY OF THE MESSAGE LOA DPC

UPDATE software by PC is activated involuntarily

Stop and start the power source, after call customer service if always in default

DISPLAY OF THE MESSAGE bP-on

Message indicating that the OK button is kept depressed at unexpected times

DISPLAY OF THE MESSAGE TRIGGER FAULT

This message is generated when the trigger is pulled at a time when it can accidentally cause starting a cycle.

Trigger pulled before the generator is turned on or during a reset due to a fault.

GENERATOR RUNNING / NO WIRE FEED AND NO GAS CONTROL

Harness connections.

Check the connection of the harness plug-in at the rear of the welding set and at the wire feeder.

Check the condition of the contacts

NO WELDING POWER NO ERROR MESSAGE

Power cable not connected
Default Power source

Check the connection of the ground strip and the torch

In Coated Electrode mode, check for voltage between the welding terminals at the rear of the power source. If no voltage, call Customer Support.

WELDING QUALITY

Wrong calibration
Change of torch and/or ground strip or workpiece
Unstable or fluctuating welding
Limited range of adjustment settings
Poor generator power supply

Check the fine setting parameter (RFP = 0)

Perform re-calibration. (Verify proper electrical contact at the welding circuit)
Make sure that the sequencer is not activated. check the hot start and the down-slope.

Select the manual mode. the limitation is imposed by synergy compatibility rules.
If using RC JOB make sure you have not activated the password-operated setting limitation.

Check proper connection of the three power supply phases. verify that the supply voltage is at least 360v at each phase.

OTHER

Fil collé dans le bain ou au tube contact
Affichage message triG à la mise sous tension

Optimise the arc extinction parameters:PR spray and post retract

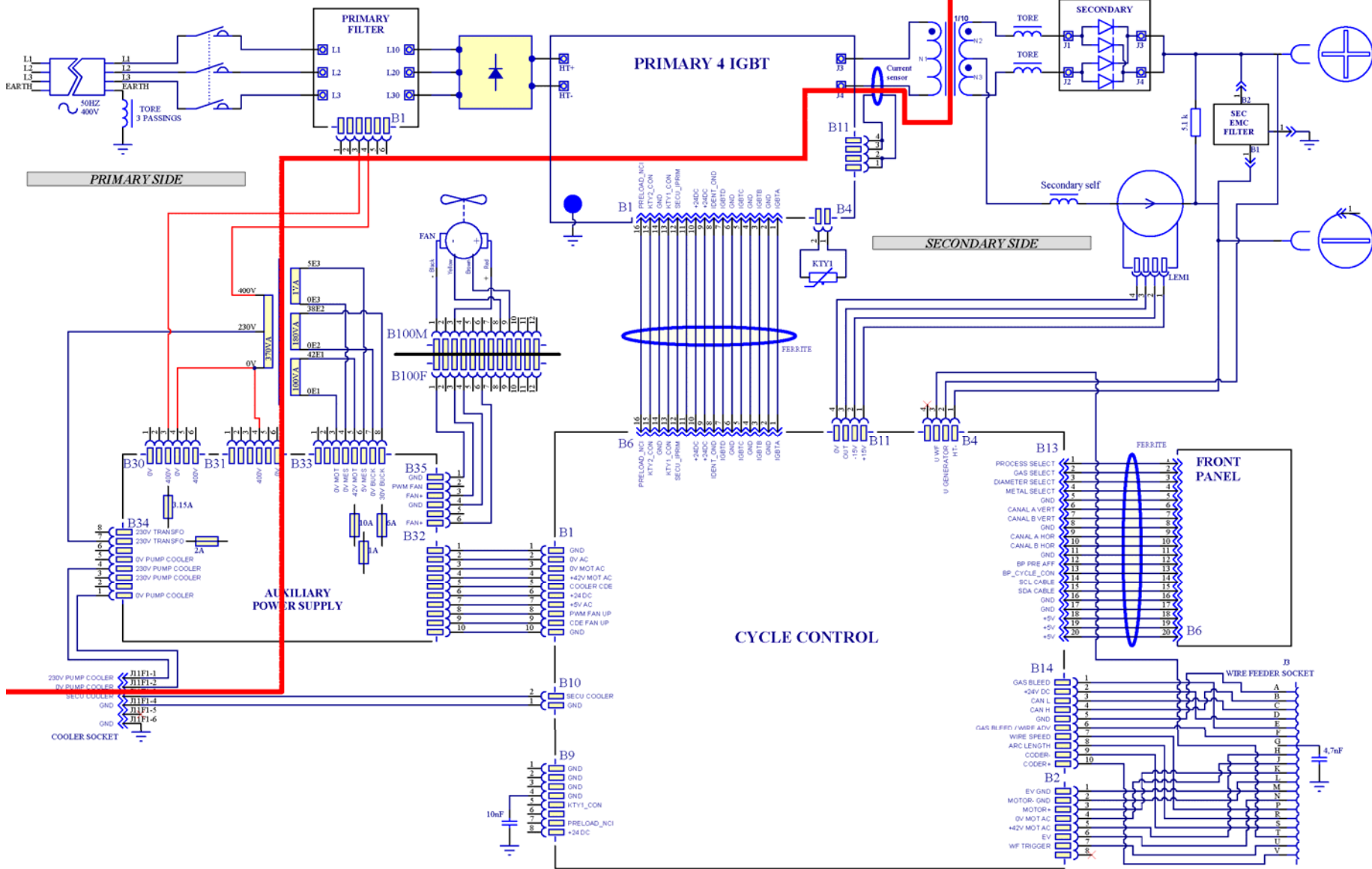
The TtriG message is displayed if the trigger is activated before switching on the welding set

S If the problem persists, you may reset the parameters to factory defaults. For this purpose, with the welding unit turned off, select the Setup position at the front panel selector, press the OK button and keep it depressed while turning on the generator.

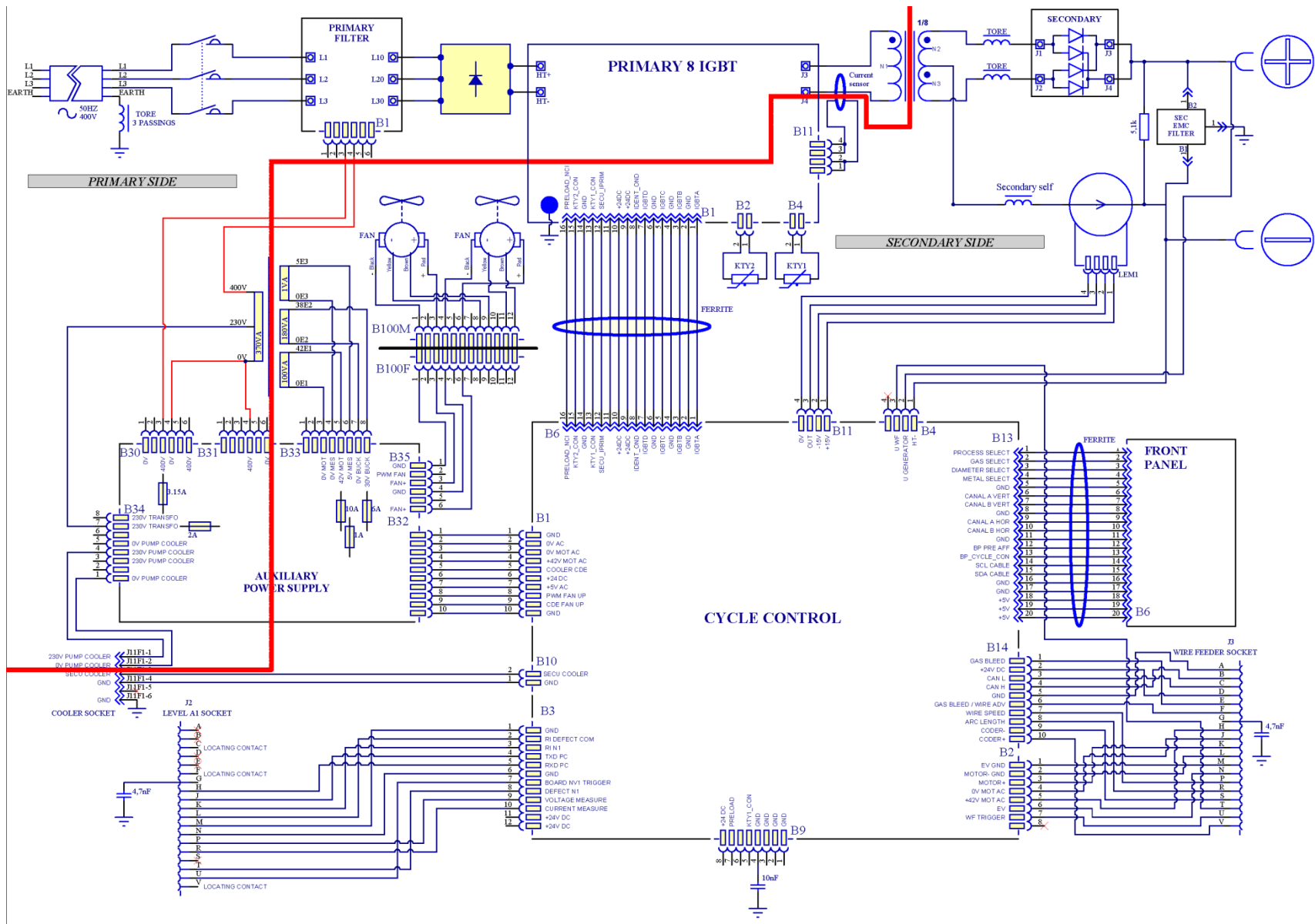
PLEASE NOTE

Consider recording your work parameters first, because this operation will erase all the programmes saved in memory. If resetting to factory values does not solve the problem, call Customer Support.

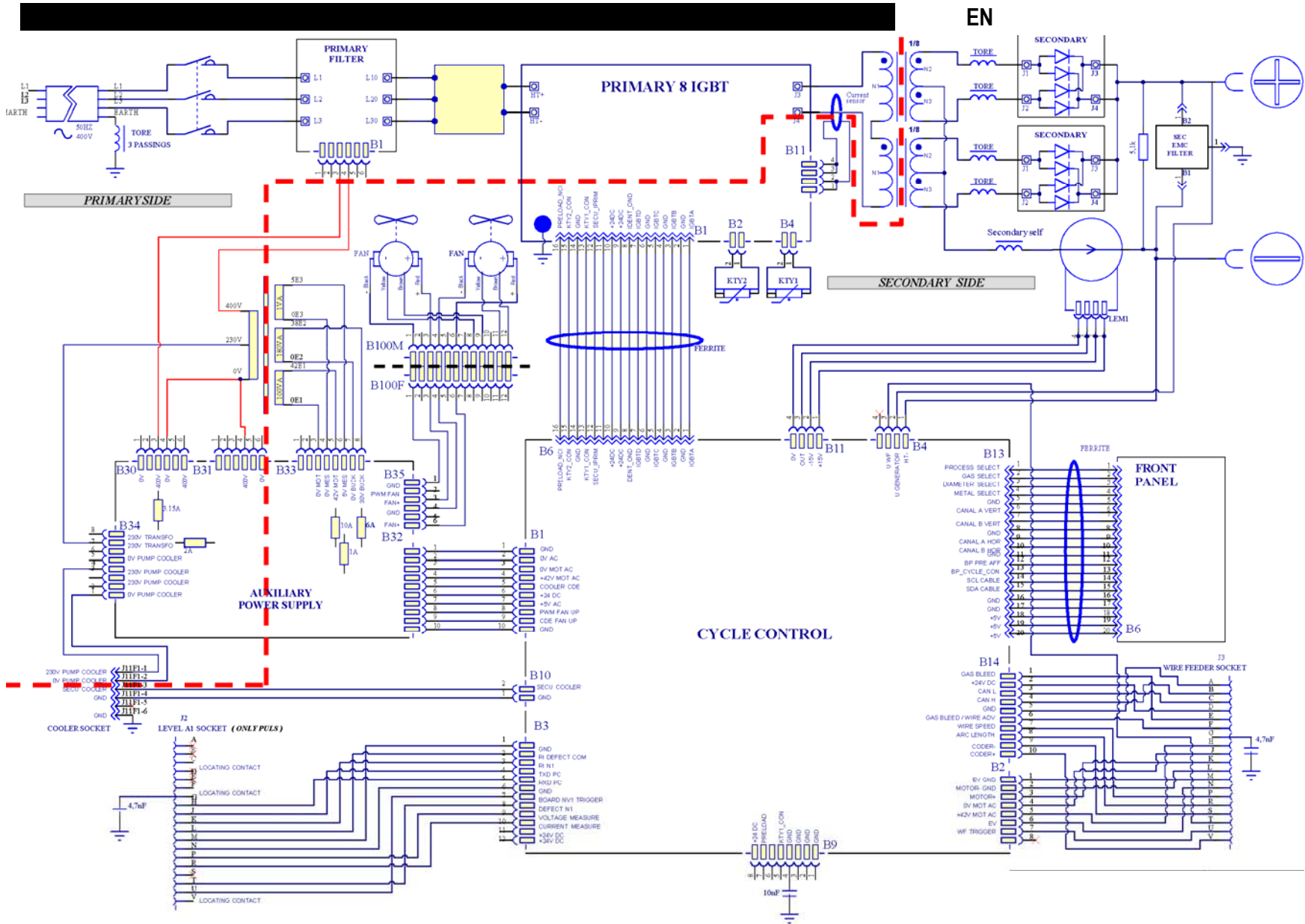
6.6. SCHEMA ELECTRIQUE



DIGISTEEL III 420A



DIGIPULS III 420A



DIGISTEEL III – DIGIPULS III 520A

7 - ANNEXES

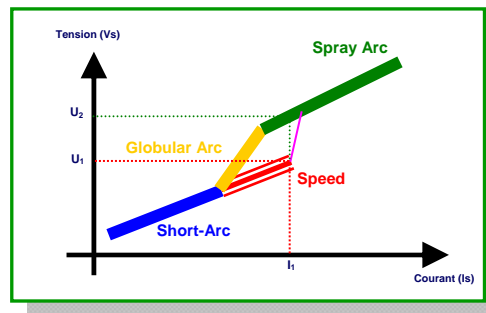
7.1. PRESENTATION OF WELDING PROCESSES

For carbon and stainless steels, le **DIGISTEEL III 420-520 / DIGIPULS III 420-520** uses 2 types of short arc:

- + “soft” or “smooth” short arc
- + The “dynamic” short arc or « SSA ».
- + Le short arc HPS

Pulsed MIG may be used on all types of metal (steel, stainless steel and aluminium) with solid wires and some cored wires. It is particularly suitable for stainless steel and aluminium, for which it is the ideal process, eliminating spatter and achieving excellent wire fusion

- + Characteristics of the power source arc



“Soft” or “Smooth” short arc (SA)

The “soft” short arc achieves **great reduction in spatter** when welding carbon steels, resulting in a very significant reduction in finishing costs.

It improves the appearance of the weld bead thanks to improved wetting of the molten pool.

The “soft” short arc is suitable for welding in all positions. An increase in wire feed speed enables entering spray arc mode but does not avoid the globular mode transition.

Forme d'ondes du short arc doux



Note: The “soft” short arc is slightly more energetic than the “speed” short arc. Consequently the “speed” short arc may be preferable to the “soft” short arc for the very thin sheets welding (≤ 1 mm) or for welding of root passes.



“Dynamic” short arc or “Speed Short Arc” (SSA)

The Speed Short Arc or SSA allows greater versatility in welding carbon and stainless steels and absorbs fluctuations in the welder’s hand movements, for example when welding in a difficult position. It also helps compensate for differences in the preparation of the work pieces.

By increasing the wire feed speed, the SA mode enters naturally into SSA mode, while preventing the globular mode

Thanks to its quick arc control and using appropriate programming, **DIGISTEEL III 420-520 / DIGIPULS III 420-520** can artificially extend the Short Arc range to higher currents, in the range of the **speed short arc**.

SPEED SHORT ARC



By eliminating the "globular" arc mode, which is characterized by heavy and sticky spatter and higher energy than the short arc, the speed short arc enables to:

- + Reduce the amount of distortions at high welding currents in the typical "globular" welding range
- + Reduce the amount of spatter compared to the globular mode
- + Achieve good weld appearance
- + reduce smoke emissions compared with the usual modes (up to 25% less)
- + Achieve good rounded penetration
- + Enable welding in all positions

Note: The I1 programmes automatically and exclusively use the "soft" short arc and do not enable access to the speed short arc. The "dynamic" short arc is not suitable for I1, welding due to arc instability.



HPS – High Penetration Speed

HPS is a welding process designed by LE matching the advantages of the Spray Arc and Short Arc modes.

As the welding voltage is lower than classical Spray Arc mode, the welding energy is lower and the welding materials less constrained. Managed by a well adapted di

regulation

HPS propose the following advantages :

- Have a very manoeuvrable arc despite the high welding mode used
- Have a longer stick out allowing to weld in the bottom of the bevel while the preparation arc
- Increase the penetration and to reduce or to eliminate the bevelled edge
- Increase the productivity while limiting the preparations and increasing the feed speed of the filler metal
- Eliminate the undercut effect of the base material

For more information, request to your contact welding.



NORMAL Pulsed MIG

Metal transfer in the arc takes place by detachment of droplets caused by current pulses. The microprocessor calculates all the Pulsed MIG parameters for each wire speed, to ensure superior welding and striking results.

The advantages of pulsed mig are:

- + Reduced distortions at high welding currents in the customary "globular" welding and spray arc ranges
- + Enables all welding positions
- + Excellent fusion of stainless steel and aluminium wires
- + Almost complete elimination of spatter and hence of finishing work
- + good bead appearance
- + Reduced smoke emissions compared with customary methods and even-speed short-arc (up to 50% less);

Pulsed **DIGIPULS III 420-520** programs for stainless steel eliminate the small spatter that may occur on thin sheets at very low wire feed speeds. These "balls" are caused by slight spraying of the metal at the time of droplet detachment. The extent of this phenomenon depends on the type and origin of the wires

These programmes for stainless steel have undergone improvements for operation at low currents and increasing the flexibility of use for thin sheet welding using Pulsed MIG method.

Excellent results for welding thin stainless steel sheets (1 mm) are obtained using the pulsed MIG method with Ø 1 mm wire in M12 or M11 shield (average 30A is acceptable).

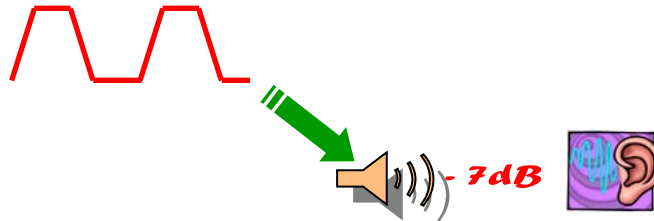
The appearance of joints processed using, les **DIGIPULS III 420-520** is of a quality comparable with that achieved by tig welding..



Low noise pulsed MIG or Soft Silence Pulsé (SSP)

Offered for Ø 1 and 1.2mm steel and stainless steel, these new pulsed synergies provide:

- + a considerable reduction in arc noise
- + a softer more energetic arc with a broader spread
- + a hotter molten pool and hence a well wetted bead



Note: low noise pulsed mig makes the welding environment more pleasant. It carries more energy into the molten pool and can be used very easily flat; but it is less convenient for welding in position.

7.2. ADVANCED WELDING CYCLE

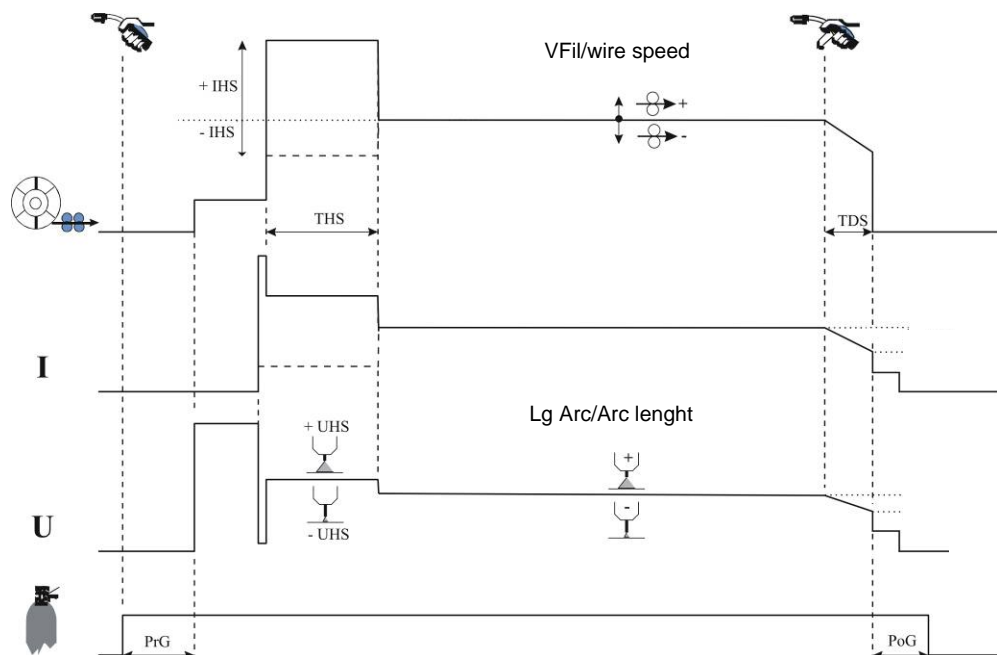
2 - Step cycle

Pressing the trigger activates wire feed and pre-gas and turns on the welding current.

Releasing the trigger causes the welding to stop.

The Hot Start is validated by the **t H S ≠ OFF** parameter in the general Cycle submenu of the SETUP. It enables starting the welding with a current peak that facilitates striking.

The down-slope enables weld bead finish with a decreasing level of welding.



4 - Step cycle

Pulling the trigger the first time activates the pre-gas, followed by Hot Start. Releasing the trigger starts the welding.

If HOT START is not active, welding will start immediately after pre-gas. In such a case, releasing the trigger (2nd step) will have no effect, and the welding cycle will continue.

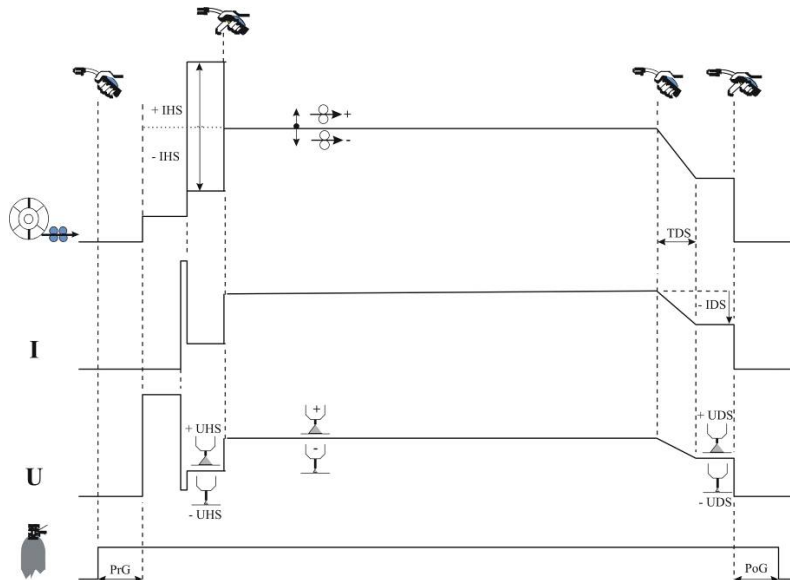
Pressing the trigger in the welding phase (3rd step) enables control of the duration of the down-slope and anti-crater functions, according to the pre-programmed time delay.

If there is no down-slope, releasing the trigger will immediately switch into post-gas (as programmed in the Setup).

In 4-Step mode (4T), releasing the trigger stops the anti-crater function if slope-down is ENABLED.

If slope-down is DISABLED, releasing the trigger will stop the POST-GAS.

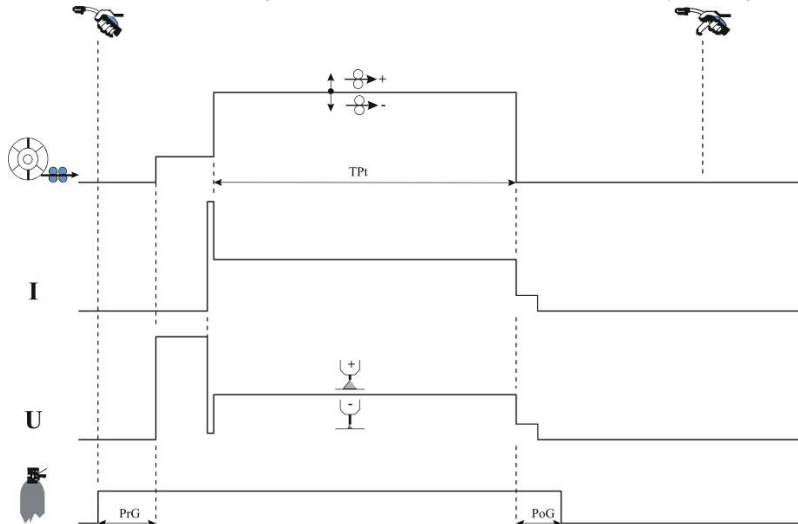
The HOT START and slope-down functions are not available in manual mode..



Spot cycle

Pressing the trigger activates wire feed and pre-gas and turns on the welding current. Releasing the trigger causes the welding to stop.

Adjustment of the Hot Start, down-slope and sequencer settings is disabled. At the end of the spot time-delay, welding stops..



Sequencer Cycle

The sequencer is enabled by the parameter " $tSE \neq OFF$ " in the sub menu of SETUP specific cycle

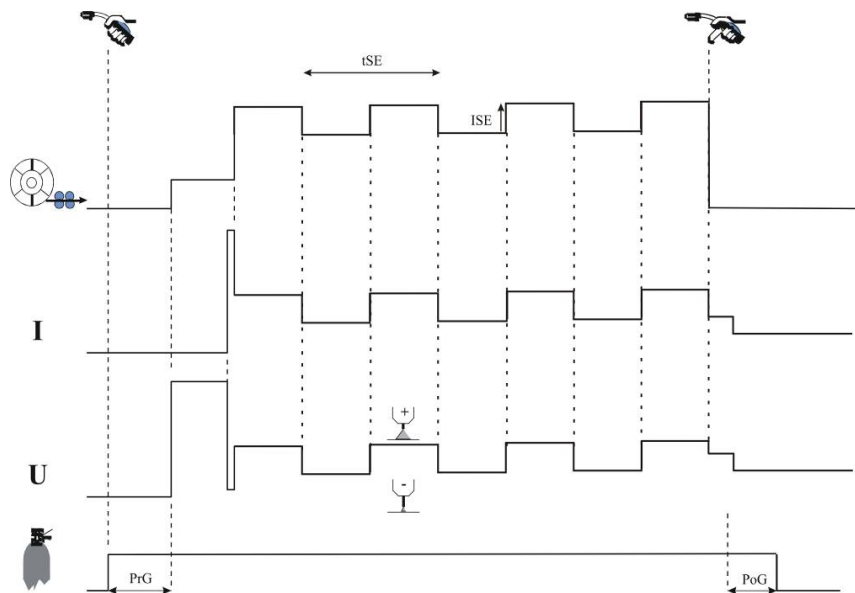
To get there :

The ' tSE ' appears in the submenu " CYCLE " . Set this parameter between 0 and 9.9 s

tSE : Duration of 2 levels if $\neq OFF$

ISE : current du 2nd step in % 1^{er} level

Only synergistic mode, cycle 2T or 4T



Fine setting (parameter adjustable in the "rFP cycle setup menu)

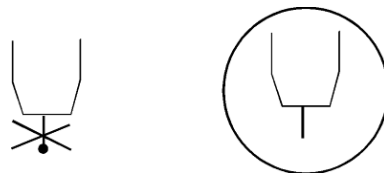
In pulsed welding, the fine-setting function enables optimising the place of droplet detachment according to the variation in the compositions of utilized wires and welding gases.

When fine spatter that may adhere to the workpiece is observed in the arc, the fine-tune setting must be changed toward negative values.

If large drops are transferred by the arc, the fine-tune setting must be changed towards positive values.

PR-SPRAY OR WIRE SHARPENING

The end of welding cycles can be modified to prevent the formation of a ball at the end of the wire. This wire operation produces almost perfect restriking. The selected solution consists in injecting a current peak at end of cycle, which causes the wire end to become pointed.



Note: This current peak at end of cycle is not always desirable. For instance, when welding thin sheet metal, such this mechanism can cause a crater.

7.3. SYNERGIES LIST

SHORT ARC (SA)						
	0.6 mm	0.8 mm	1 mm	1.2 mm	1.4 mm	1.6 mm
Fe SG 1/2	M21	M21	M21	M21	/	M21
	M14	M14	M14	M14	/	M14
	M20	M20	M20	M20	/	M20
	/	I1	I1	I1	/	I1
CrNi	/	M11	M11	M11	/	M11
	/	M12	M12	M12	/	M12
	/	M12	M12	M12	/	M12
AlSi	/	/	C1	C1	/	C1
Al	/	/	/	C1	/	C1
AlMg 3.5	/	/	C1	C1	/	C1
AlMg 5	/	/	C1	C1	/	C1
Cu Si	/	C1	C1	C1	/	/
Cu Al	/	/	C1	C1	/	/
SD Zn	/	/	M21	M21	/	/
RCW : SD 100	/	/	M21	M21	/	M21
	/	/	I1	I1		I1
MCW : SD 200	/		M21	M21	M21	M21
BCW : SD 400	/	/	/	M21	/	M21
	/	/	/	I1	/	I1
SPEED SHORT ARC (SSA)						
	0.6 mm	0.8 mm	1 mm	1.2 mm	1.4 mm	1.6 mm
Fe SG 1/2	M21	M21	M21	M21	/	M21
	M14	M14	M14	M14	/	M14
	M20	M20	M20	M20	/	M20
CrNi	/	M12	M12	M12	/	M12
	/	M12	M12	M12	/	M12
	/	M11	M11	M11	/	M11
MCW : SD 200	/	/	/	M21	/	/
HPS						
	0.6 mm	0.8 mm	1 mm	1.2 mm	1.4 mm	1.6 mm
Fe SG 1/2	/	/	M21	M21		/
	/	/	M20	M20		/
	/	/	/	M21	M21	/
MCW : SD 200	/	/	/	M20	M20	/
	/	/	/	M14	M14	/
PULS						
	0.6 mm	0.8 mm	1 mm	1.2 mm	1.4 mm	1.6 mm
Fe SG 1/2	/	M21	M21	M21	/	M21
	/	M14	M14	M14	/	M14
	/	M20	M20	M20	/	M20
CrNi	/	M11	M11	M11	/	M11
	/	M12	M12	M12	/	M12
	/	M12	M12	M12	/	M12
AlSi	/	/	C1	C1	/	C1
Al	/	/		C1	/	C1
AlMg 3.5	/	/	C1	C1	/	C1
AlMg 5	/	/	C1	C1	/	C1
Cu Si	/	/	C1	C1	/	/
Cu Al	/	/	C1	C1	/	/
MCW : SD 200	/	/	/	M21	/	M21
BCW : SD 400	/	/	/	M21	/	/

LOW NOISE PULS						
	0.6 mm	0.8 mm	1 mm	1.2 mm	1.4 mm	1.6 mm
Fe SG 1/2	/	/	M21	M21	/	/
	/	/	M14	M14	/	/
	/	/	M20	M20	/	/
CrNi	/	/	M12	M12	/	M12
	/	/	M12	M12	/	M12
	/	/	M11	M11	/	M11

NOTE: Pour toute autre synergie, veuillez contacter votre agence commerciale la plus proche

GAZ TABLE	
Description	Old gaz reference
Ar82/I118	M21
Ar92/C028	M20
Ar/C02/O2	M14
CO2	I1
Ar/I1/H2	M11
Ar98/I12	M12
Ar/He/I1	M12
Ar	C1

WIRES TABLE		
Description	Désignation	Reference
Fe SG ½	Steel solid wire	NERTALIC G2 FILCORD FILCORD C FILCORD D FILCORD E STARMAG
Cu Si	Copper Silicium solid wire	
Cu Al	Copper Aluminum solid wire	FILCORD 46
Al Mg 5	Aluminum solid wire	FILALU Al Mg 5
Al Mg 3.5		FILALU Al Mg 3
Al Si		FILALU Al Si 5
Al		FILALU 99.5 Ti
Cr Ni	Stainless steel solid wire	FILINOX 307 FILINOX 308 Lsi FILINOX 309 Lsi FILINOX 316 Lsi
Sd Zn	Galvanised solid wire	FILCORD Zn
BCW	Basic cored wire	SAFDUAL STEELCORED INOXCORED
MCW	Metallized powder cored wire	
RCW	Rutile cored wire	



SAF-FRO

DIGISTEEL III 420/520

DIGIPULS III 420/520



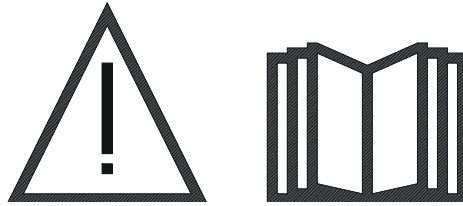
FR

INSTRUCTION D'EMPLOI ET D'ENTRETIEN

Cat n° : 8695-1251
Rev : D
Date : 02/2018



Contact : www.saf-fro.com



FR Le soudage à l'arc et le coupage plasma peuvent être dangereux pour l'opérateur et les personnes se trouvant à proximité de l'aire de travail. Lire le manuel d'utilisation

1 - INFORMATIONS GENERALES.....	4
1.1. PRESENTATION DE L'INSTALLATION	4
1.2. COMPOSITION DE L'INSTALLATION	4
1.3. SPECIFICATIONS TECHNIQUES	5
2 - MISE EN SERVICE	6
2.1. RACCORDEMENT AU RESEAU ELECTRIQUE	6
2.2. RACCORDEMENT DU DEVIDOIR	6
2.3. PIECES D'USURE DU DEVIDOIR	6
2.4. RACCORDEMENT TORCHE ET GROUPE DE REFROIDISSEMENT	6
2.5. RACCORDEMENT DU GAZ	7
2.6. MISE EN MARCHÉ.....	7
3 - INSTRUCTIONS D'EMPLOI	8
3.1. FONCTIONNALITES DE LA FACE AVANT	8
3.2. CALIBRER LE GENERATEUR	9
3.3. AFFICHAGE ET UTILISATION	9
4 - OPTIONS, ACCESSOIRES	12
5 - FAISCEAUX ET TORCHES.....	14
5.1. FAISCEAUX.....	14
5.2. TORCHES	14
5.3. TORCHES PUSH PULL	14
5.4. TORCHES A POTENTIOMETRE	14
6 - MAINTENANCE	15
6.1. GENERAL	15
6.2. GALETS ET GUIDES FILS.....	15
6.3. TORCHE.....	15
6.4. PIECES DE RECHANGE	16
6.5. PROCEDURE DE DEPANNAGE	20
6.6. SCHEMA ELECTRIQUE.....	22
7 - ANNEXES	25
7.1. PRESENTATION DES PROCEDES DE SOUDAGE	25
7.2. CYCLES DE SOUDAGE AVANCES	27
7.3. LISTE DES SYNERGIES	30

1 - INFORMATIONS GENERALES

1.1. PRESENTATION DE L'INSTALLATION

Le **DIGISTEEL III 420-520 / DIGIPULS III 420-520** sont des installations de soudage manuel permettant:

- + de souder en MIG-MAG, short arc, speed short arc et HPS, en pulsé normal et pulsé bas bruit (seulement sur le DIGIPULS), avec une intensité de 15A à 420A ou de 15A à 520A.
- + de dévider des fils de natures différentes :
 - ⇒ acier, inox, aluminium et fils spéciaux
 - ⇒ fils pleins et fils fourrés
 - ⇒ diamètres de 0.6-0.8-1.0-1.2-1.4-1.6mm
- + de souder en électrode enrobée.
- + de gouger en procédé ARC AIR (nécessite le KIT W000010999)
- + de braser en soudage MIG AVEC DU FIL CUPRO alu OU CUPRO silicium.

Elle est livrée sous la forme d'un package prêt à l'emploi associée aux dévidoirs **DVU P400** ou **DVU P500**

1.2. COMPOSITION DE L'INSTALLATION

L'installation est composée de 5 éléments principaux:

- 1 - La source de puissance, son câble primaire (5 m) et son câble de masse (5m)
- 2 - Le groupe de refroidissement (option)
- 3 - Le dévidoir
- 4 - Le faisceau de liaison bi-débrochable entre le dévidoir et la source de puissance,
- 5 - Le chariot atelier (option),

Chaque élément est commandé et livré séparément.

Les options commandées avec l'installation sont livrées à part. Pour la mise en place de ces options, se reporter à l'instruction de montage livrée avec l'option.



ATTENTION :

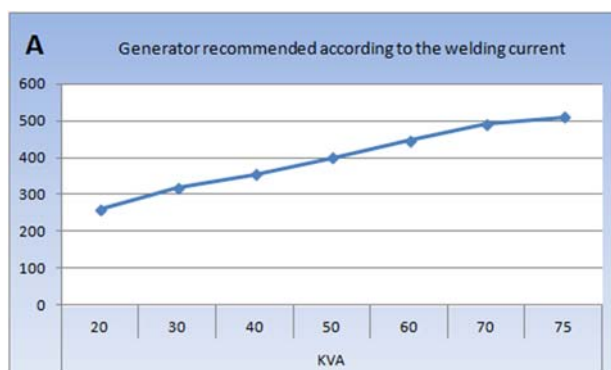
Les poignées plastiques ne sont pas prévues pour élinguer le poste. La stabilité de l'installation est assurée jusqu'à une inclinaison de 10°.

1.3. SPECIFICATIONS TECHNIQUES

	DIGISTEEL III 420 W000383615	DIGISTEEL III 520 W000383617	DIGIPULS III 420 W000383661	DIGIPULS III 520 W000383662
Primaire				
Alimentation primaire	400 V	400 V	400 V	400 V
Fréquence d'alimentation primaire	50/60Hz	50/60Hz	50/60Hz	50/60Hz
Consommation primaire efficace	18,5 A	28,5 A	21,1 A	28,5 A
Consommation primaire maximum	26 A	33,9 A	27,1 A	33,9 A
Fusibles primaire recommandés	25 A Gg	32 A Gg	25 A Gg	32 A Gg
Puissance apparente maximum	18 KVA	23,8 KVA	18,9 KVA	23,8 KVA
Puissance active maximum	17,2 KW	22,4 KW	17,7 KW	22,4 KW
Puissance active en mode veille (IDLE)	28 W	29 W	29 W	29 W
Efficacité au courant maximum (MIG)	87	89	87	89
Facteur de puissance au courant maximum (MIG)	0,96	0,94	0,93	0,94
Cos Phi	0,99	0,99	0,99	0,99
Secondaire				
Tension à vide (selon la norme) en MIG	57 V	73 V	73 V	73 V
Plage de soudage MIG	14,8V / 35 V 15A / 420A	14,8V / 39 V 15A / 500A	14,8V / 35 V 15A / 420A	14,8V / 39 V 15A / 500A
Plage de soudage électrode enrobée	15A / 420A	15A / 500A	15A / 420A	15A / 500A
Facteur de marche à 100% en MIG (Cycle 10 minutes à 40°C)	350A	450A	350A	450A
Facteur de marche à 60% en MIG (Cycle 6 minutes à 40°C)	380A	500A	420A	500A
Facteur de marche au courant maximum à 40°C en MIG	40%	60%	60%	60%
Divers				
Dimensions (L x l x h)	720 x 295 x 525	720 x 295 x 525	720 x 295 x 525	720 x 295 x 525
Poids	34 kg	40 kg	36 kg	40 kg
Température de fonctionnement	-10° C / +40° C	-10° C / +40° C	-10° C / +40° C	-10° C / +40° C
Température de stockage	-20° C / +55° C	-20° C / +55° C	-20° C / +55° C	-20° C / +55° C
Connectique torche	"Européen"	"Européen"	"Européen"	"Européen"
Indice de protection	IP 23	IP 23	IP 23	IP 23
Classe d'isolation	H	H	H	H
Norme	60974-1 & 60974-10	60974-1 & 60974-10	60974-1 & 60974-10	60974-1 & 60974-10



ATTENTION: Cette source n'est pas utilisable sous la pluie ou la neige, elle peut être stockée à l'extérieur, mais n'est pas prévue pour être utilisée sans protection pendant des précipitations.



2 - MISE EN SERVICE

2.1. RACCORDEMENT AU RESEAU ELECTRIQUE

Le **DIGISTEEL III 420-520 / DIGIPULS III 420-520** sont des postes 400 V triphasé.

Si votre réseau correspond, connecter une prise "triphase + terre" à l'extrémité du câble d'alimentation.



ATTENTION: Sous réserve que l'impédance de réseau public d'alimentation basse tension au point de couplage commun soit inférieure à :

98,2 mΩ pour le DIGISTEEL III 420

28 mΩ pour le DIGIPULS III 420

20.6 mΩ pour le DIGISTEEL III 520 et DIGIPULS III 520.

Ce matériel est conforme à la CEI 61000-3-11 et à la CEI 61000-3-12, et peut être connecté aux réseaux publics d'alimentation basse tension. Il est de la responsabilité de l'installateur ou de l'utilisateur du matériel de s'assurer, en consultant l'opérateur du réseau de distribution si nécessaire, que l'impédance de réseau est conforme aux restrictions d'impédance.



ATTENTION: Ce matériel de Classe A n'est pas prévu pour être utilisé dans un site résidentiel où le courant électrique est fourni par le système public d'alimentation basse tension. Il peut y avoir des difficultés potentielles pour assurer la compatibilité électromagnétique dans ces sites, à cause des perturbations conduites aussi bien que rayonnées.

2.2. RACCORDEMENT DU DEVIDOIR



ATTENTION: A effectuer générateur hors tension.

Raccorder le faisceau au dévidoir en respectant les emplacements des connecteurs.

Raccorder l'autre extrémité du faisceau au générateur.

Relier la torche de soudage MIG au dévidoir.

2.3. PIECES D'USURE DU DEVIDOIR

		GUIDE FIL D'ENTREE	ADAPTATEUR	GALET	GALET INTERMEDIAIRE	GUIDE FIL DE SORTIE	
ACIER, ACIER INOX	0,6 / 0,8	Plastic W000277333	W000277338	W000305125	W000277334	W000277335	
	0,9 / 1,2			W000277008		W000277335	W000277336
	1,0 / 1,2			W000267599			
	1,2 / 1,6			W000305126		W000277336	
	1,4 / 1,6			W000277009			
FIL FOURRE	0,9 / 1,2	W000277333	W000277338	W000277010	W000277334	W000277335	
	1,2 / 1,6			W000266330		W000277335	W000277336
	1,4 / 1,6			W000277011		W000277336	
ALLIAGE LEGER	1,0 / 1,2	ALUKIT W000277622					
	1,2 / 1,6	ALUKIT W000277623					

Utilisation possible des galets acier ALU avec le fil acier et fil fourré.

Montage des galets

Le montage des galets se fait à l'aide de l'adaptateur référence : W000277338.

2.4. RACCORDEMENT TORCHE ET GROUPE DE REFROIDISSEMENT

La torche de soudage MIG se raccorde à l'avant du dévidoir, après s'être assuré qu'elle soit bien équipée des pièces d'usures correspondantes au fil qui va être utilisé pour le soudage.

Pour cela se reporter à la notice accompagnant la torche.

Si vous utilisez une torche EAU, connectez votre Groupe de Refroidissement à l'arrière du générateur, ainsi que le « faisceau eau ».



ATTENTION

Le fonctionnement à vide du groupe de refroidissement non connectée à une torche peut le détruire.

2.5. RACCORDEMENT DU GAZ

La sortie gaz est placée à l'arrière du générateur. Il suffit de raccorder cette dernière à la sortie du détendeur sur la bouteille de gaz

- + Mettre la bouteille de gaz sur le chariot à l'arrière du générateur et fixer la bouteille à l'aide de la sangle.
- + Ouvrir légèrement puis refermer le robinet de la bouteille pour évacuer éventuellement les impuretés.
- + Monter le détendeur/débitmètre.
- + Raccorder le tuyau gaz livré avec le faisceau du dévidoir sur la sortie du détendeur.

En soudage, le débit de gaz devra se situer entre 10 et 20l/min.



ATTENTION : Veiller à bien arrimer la bouteille de gaz sur le chariot en mettant en place la sangle de sécurité.

2.6. MISE EN MARCHÉ

1

L'interrupteur général est situé à l'arrière du générateur. La mise en fonctionnement se fait en basculant cet interrupteur.

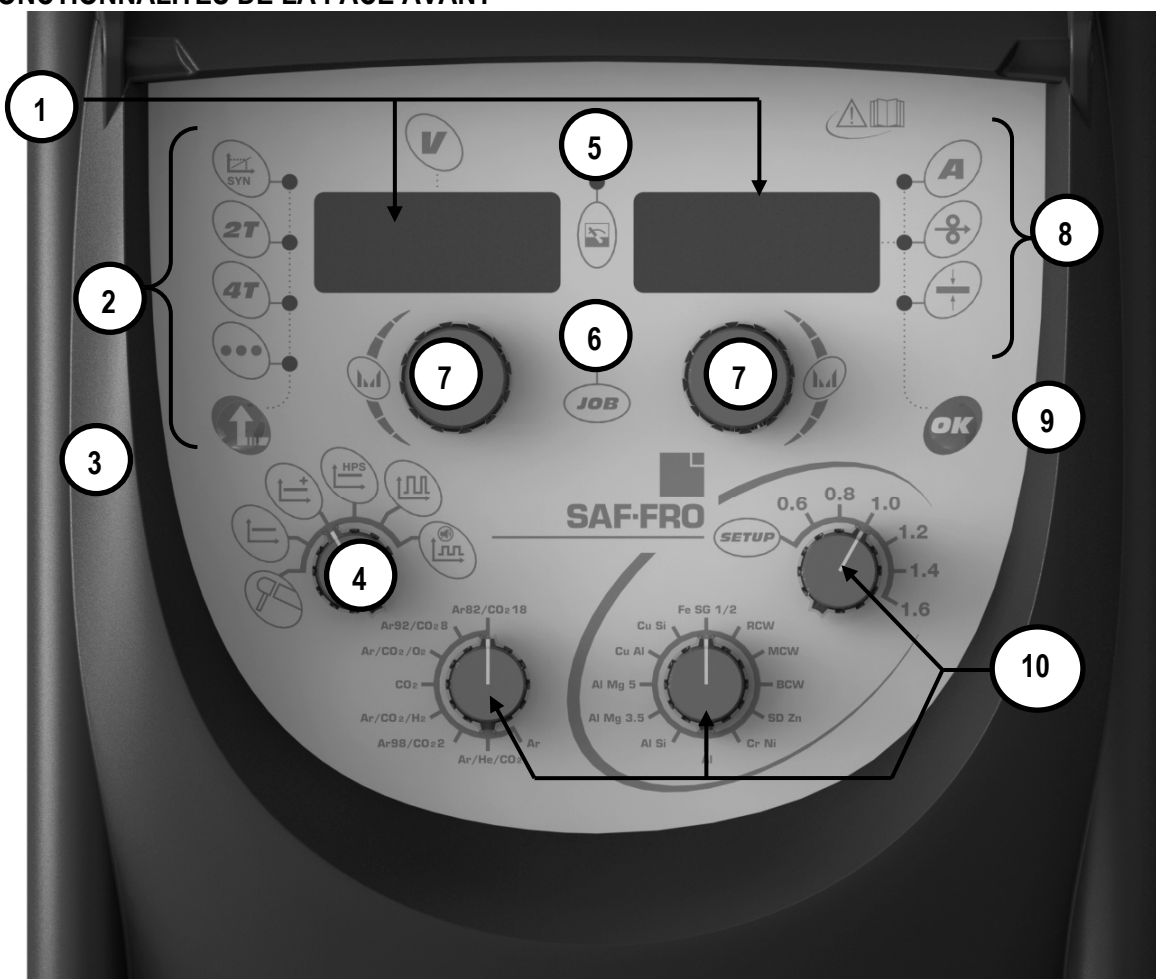


Note: Ne jamais basculer l'interrupteur en cours de soudage.

A chaque démarrage le générateur affiche la version logicielle et la puissance reconnue et le cas échéant l'option connectée.

3 - INSTRUCTIONS D'EMPLOI

3.1. FONCTIONNALITES DE LA FACE AVANT



Afficheur gauche tension, Afficheur Droit : courant /vitesse fil/ épaisseur

1

Affichage de sélection du mode soudage

2

Bouton de sélection du mode soudage

3

Commutateur de sélection procédé de soudage

4

Voyant « mesure » identifiant les valeurs affichées
(pré-affichage, soudage et post-soudage)

5

Voyant « mode programme actif »

6

Codeur pour la navigation

7

Voyant affichage courant, vitesse fil, épaisseur

8

Bouton sélection pré-affichage

9

Commutateur de sélection gaz, diamètre fil et nature du fil

10

3.2. CALIBRER LE GENERATEUR



ATTENTION :

Cette opération est impérative afin d'obtenir un soudage de qualité. En cas de changement de polarité cette étape est à refaire.

Etape 1: Placer le sélecteur sur la position SETUP et rentrer dans le setup **CO**nFIGppar appui sur le bouton OK.

Etape 2: Sélectionner le paramètre **CaL** avec le codeur gauche et sélectionner **On** avec le codeur droit

Etape 3: Appuyer sur le bouton OK en face avant, l'afficheur indique **triGEr**.

Etape 4: Enlever la buse de la torche.

Etape 5: Couper le fil.

Etape 6: Mettre en contact la pièce et le tube contact.

Etape 7: Appuyer sur la gâchette.

Etape 8: L'afficheur indique la valeur de L. (inductance faisceau)

Etape 9: A l'aide du codeur droit affichage de la valeur de R. (résistance faisceau)

Etape 10: Sortir du SETUP

3.3. AFFICHAGE ET UTILISATION

3.3.1. Mode synergique

Pour une vitesse fil réglée, les valeurs d'Intensité, de tension et Epaisseur sont données à titre indicatif, et correspondent aux mesures effectuées dans des conditions opératoires données, comme : la position, la longueur partie terminale (à plat, bord à bord). L'affichage courant / tension du poste correspond aux valeurs moyennes mesurées et elles peuvent différer des valeurs théoriques.

Voyant du mode mesure:

- ⇒ Eteint: Pré-affichage.
- ⇒ Allumé: Affichage des valeurs mesurées en soudage (Valeur moyenne).
- ⇒ Clignotant: Mesure en cours de soudage.

Choix fil, diamètre, gaz, procédé

A l'aide du commutateur correspondant, choisir la nature du fil, le diamètre du fil, le gaz utilisé et le procédé.

Le choix de la matière détermine les valeurs des diamètres, gaz et procédés disponibles.

Si la synergie n'existe pas, le poste affiche nOt SYn GAS SYn, dIA SYn ou Pro SYn.

Sélection du mode de soudage, de la tension d'arc, et du pré-affichage

Sélectionnez le mode de soudage 2T, 4T, point, synergique ou manuel en utilisant le bouton poussoir [3]. La longueur d'arc peut-être modifiée avec le codeur gauche (7) et le pré-affichage soudage est réalisé avec le codeur droit [8]. La sélection des réglages pré-soudage est effectuée avec le bouton OK [10].

3.3.2. Mode manuel :

Ceci est le mode de dégagement du générateur de soudage. Les paramètres réglables pour ce dernier sont la vitesse fil, la tension d'arc et le réglage fin. Dans ce mode, seule la valeur de la vitesse du fil est affichée.

3.3.3. Mode SETUP

Accès au SETUP :

Le SETUP est uniquement accessible hors soudage, par la face avant sur la 1^{ère} position du commutateur « diamètre de fil ».

Le SETUP comporte 2 groupes de MENUS :

'CYCLE' → Réglages phases du cycle

'COnFIG' → Configuration du générateur

Réglage du SETUP :

Position SETUP, il faut sélectionner CYCLE ou COnFIG avec le bouton OK.

Tourner le codeur de **gauche** pour faire défiler les paramètres.

Tourner le codeur de **droite** pour les régler.

Pas de départ soudage dans ce mode, toute modification est sauvegardée à la sortie du menu SETUP.

Paramètres accessibles dans le menu COnFIG

Afficheur gauche	Afficheur droit	Pas	Défaut	Description
GrE	On -;OFF - Aut		Aut	Configuration du groupe de refroidissement. 3 états possibles : - On : Toujours actif, le groupe fonctionne continuellement - OFF : Toujours désactivé, le groupe est désactivé - Aut : Mode automatique, Le groupe est piloté par le générateur
ScU	nc - no - OFF		OFF	Sécurité du groupe de refroidissement. 3 états possibles : - nc : Normalement fermé, - no : Normalement ouvert, - OFF : Désactivé
Unit	US - CE		CE	Unité affichée pour la vitesse et l'épaisseur du fil: - US: unité en pouces - CE: unité de compteur
Cpt	OFF- 0,01 - 1,00	0,01 s	0,30	Temps de maintien de la gâchette pour l'appel programme (Seulement en 4T). Utilisable uniquement sur les programmes 50 to 99.
LAn	Fr,dE,En,It,ES,PO, nL,SU,Pt,rO,dA, nO,Fi,Sh,CS,Hu		En	Choisir la langue affichée uniquement si le chargeur de fil RC-JOB ou P500 est connecté Français (Fr) -Allemand (DE) - Anglais (Fr) -Italien (It) - Espagnol (ES) -Polonais (PO) - Néerlandais (nL) -Suédois (SU) -Portugais (Pt) - Roumain (RO) - Danois (DA) - Norvégien (NO) - Finnois (Fi) -Slovak (Sh) - Tchèque (CS) - Hongrois (Hu)
PGM	no - yES		no	Active / Désactive le mode gestion des programmes
PGA	OFF - ;000 - 020 %	1 %	OFF	Réglage des plages de soudage limitable pour les paramètres suivants: Vitesse fil, longueur d'arc, Dynamisme d'arc, Réglage fin en pulsé. Fonctionnel uniquement lorsque la gestion du programme est activé et programmes sont verrouillées
CAL	OFF - on		OFF	Etalonnage de la torche et du câble de masse
AdJ	Loc -- rC		Loc	Sélectionner le réglage Vitesse du fil et tension d'arc: - Loc: Local sur la source d'alimentation - rC: télécommande ou potentiomètre de torche
L	0 - 50	1 uH	14	Réglage de l'inductance du câble / Affichage
r	0 - 50	1 Ω	8	Réglage de la résistance du câble / Affichage
SoF	no - yES		no	Mise à jour logicielle.
FAC	no - yES		no	Paramètres usine. Sélectionner YeS va provoquer une réinitialisation des paramètres par défaut d'usine lors de menu sortie SETUP.

Paramètres accessibles dans le menu CYCLE

Afficheur gauche	Afficheur droit	Pas	Défaut	Description
tPt	00.5 - 10.0	0,1 s	0,5	Temps de point. En mode Spot et en mode manuel, le Hot Start, évanouissement et séquenceur ne peuvent être modifiés
PrG	00.0 - 10.0	0,1 s	0,5	Temps de pré-gaz
tHS	OFF - 00.1 - 10.0	0,1 s	0,1	Temps de Hot start
IHS	-- 70 + 70	1 %	30	Courant de Hot start (Vitesse fil). En X% ± du courant de soudage
UHS	-- 70 + 70	1 %	0	Tension de Hot start. En X% ± de la longueur d'arc
dYn	--10 + 10 --20 - 20	1 %	0	Réglage fin en court-circuit
rFP	--10 + 10 --20 + 20	1 %	0	Réglage fin en pulsé
dyA	00 - 100	1	50	Dynamisme d'amorçage à l'électrode
tSE	OFF - 0.01 - 2.50	0,01 s	OFF	Temps séquenceur (Seulement en mode synergique)
ISE	--90 + 90	1 %	30	Niveau du séquenceur. En X% ± du courant de soudage
dSt	OFF - 00.1 - 05.0	0,1 s	OFF	Temps d'évanouissement.
DdSI	-- 70 - 00.0	1 %	-- 30	Courant d'évanouissement. (Vitesse fil).En X% ± du courant de soudage
dSU	-- 70 - 70	1 %	0	Tension d'évanouissement. En X% ± de la longueur d'arc
Pr_	0.00 - 0.20	0,01 s	0,05	Temps d'anti-collage
PrS	Nno - yES		no	Activation du mode Pr-Spray
PoG	00.0 - 10.0	0,05 s	0,05	Temps de post-gaz

NOTE : Le DIGISTEEL III 420-520 / DIGIPULS III 420-520 permet de verrouiller le menu programmation. Cette fonction est disponible sur l'écran de programme avec le paramètre cod. La clé de verrouillage entrée doit être écrite pour désactiver le verrouillage de fonction.

3.3.4. Appel programme à la gâchette

Cette fonction permet le chainage de 2 à 10 programmes. Cette dernière est disponible en mode 4T uniquement, le mode gestion de programme doit être activé également.

Chainage de programmes :

Cette fonction appel programme fonctionne avec les programmes P50 à P99 par dizaine.

⇒ P50→P59 ; P60→P69 ; P70→P79 ; P80→P89 ; P90→P99

Sélectionnez le premier programme avec lequel vous voulez commencer votre chaîne. Puis lors du soudage, à chaque appui sur la gâchette, le programme changera.

Pour chaîner moins de 10 programmes, dans le programme suivant la fin de boucle désirée mettre un paramètre différent (Comme la synergie ou le cycle de soudage).

Il est possible de régler le temps de maintien gâchette afin de détecter un changement de programme : SETUP → CPT → Sélectionner valeur de 1 à 100 → exit SETUP.

Exemple: Créer une liste programmes de P50 à P55 (6 programmes).

- 1) Dans le programme P56, sélectionner un cycle de soudage ou une synergie différente de P55 dans le but de finir la chaîne.
- 2) Sélectionner le programme P50 (Premier programme pour démarrer le soudage)
- 3) Soudage
- 4) Chaque fois que la gâchette sera actionnée, La source de puissance changera de programme jusque P55. Lorsque que la chaîne sera finalisée, le générateur reprendra à P50.

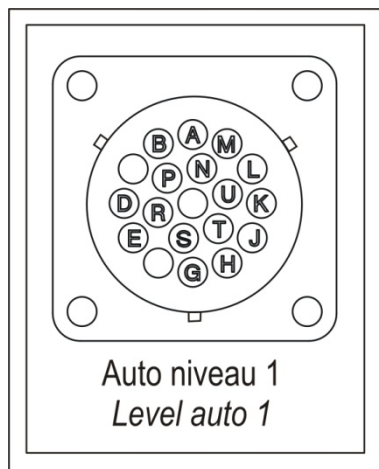
3.3.5. Automatisation

a) Le **DIGIPULS III** est automatisable d'une manière très simple. Il suffit pour cela de raccorder la prise J2 fournie à l'arrière du poste.

Les repères de fils sont : NIVEAU N1

Sortie contact Intensité RI : contact sec	K de J2
Sortie contact Intensité commun RI : contact sec	L de J2
Défaut	T de J2
Commun défaut	L de J2
Entrée gâchette (+) : à placer sur un contact sec	U de J2
Entrée gâchette (-) : à placer sur un contact sec	M de J2

Pour valider la fermeture du contact RI, il faut impérativement positionner « Aut ≠Off ». Le retard à la fermeture du contact se règle par la valeur « rit » dans le sous-menu « Palier » du SETUP.



Note : Par défaut, la fonction sélectionnée est le mode manuel.

Le type d'utilisation sélectionné est visualisé par l'afficheur de droite.

SELECTION DU MODE AUTOMATIQUE AVEC PILOTAGE A DISTANCE PAR CONSIGNE ANALOGIQUE

1. Positionner le commutateur en face avant du générateur sur « **SEt -UP** ».
2. Par action sur le poussoir « OK », sélection de l'affichage « **Con FIG** ».
3. Positionner le sélecteur de gauche pour obtenir l'affichage « **Aut** » à gauche.
4. Positionner le sélecteur de droite pour obtenir l'affichage « **n1** » à droite.

4 - OPTIONS, ACCESSOIRES

4.1 - DEVIDOIR DVU P400, REF. W000275266



4.2 - DEVIDOIR DVU P500, REF. W000275267



4.3 - GROUPE DE REFROIDISSEMENT, REF.W000273516



4.4 - COMMANDE A DISTANCE RC JOB, Réf. W000273134**4.5 - TELECOMMANDE 2 POTENTIOMETRES, Réf. W000275904**

Fonctionnalités:
Réglage de la vitesse fil en / hors soudage
Réglage de la longueur d'arc en / hors soudage

4.6 - FILTRE A POUSSIERES, Réf. W000373703**4.7 - CHARIOT UNIVERSEL, Réf. W000383000**

Il permet de déplacer facilement la source de puissance dans un environnement d'atelier.

4.8 - OPTION CHARIOT CHANTIER, Réf. W000372274**4.9 - OPTION SECURITE DE DEBIT, Réf. W000376539****4.10 - OPTION PUSH PULL, Réf. W000275907****4.11 - OPTION DEBITLITRE, Réf. W000376539**

5 - FAISCEAUX ET TORCHES

5.1. FAISCEAUX

Faisceau AIR 2 M – 70 MM ²	réf. W000275894
Faisceau AIR 5 M – 70 MM ²	réf. W000275895
Faisceau AIR 10 M – 70 MM ²	réf. W000275896
Faisceau AIR 15 M – 70 MM ²	réf. W000275897
Faisceau AIR 25 M – 70 MM ² (sur cde)	réf. W000276901
Faisceau AIR 30 M – 70 MM ² (sur cde)	réf. W000371246
Faisceau AIR 40 M – 70 MM ² (sur cde)	réf. W000371245
Faisceau AIR 50 M – 70 MM ² (sur cde)	réf. W000371244

Faisceau EAU 2 M – 95 MM ²	réf. W000275898
Faisceau EAU 5 M – 95 MM ²	réf. W000275899
Faisceau EAU 10 M – 95 MM ²	réf. W000275900
Faisceau EAU 15 M – 95 MM ²	réf. W000275901
Faisceau EAU 25 M – 95 MM ² (sur cde)	réf. W000276902
Faisceau EAU 50 M – 95 MM ²	Nous consulter

Faisceau EAU ALU 2 M – 95 MM ²	réf. W000371044
Faisceau EAU ALU 5 M – 95 MM ²	réf. W000371045
Faisceau EAU ALU 10 M – 95 MM ²	réf. W000371175
Faisceau EAU ALU 15 M – 95 MM ²	réf. W000371174
Faisceau EAU ALU 25 M – 95 MM ²	réf. W000371239

5.2. TORCHES

PROMIG NG 341 - 3 M	réf. W000345066
PROMIG NG 341 - 4 M	réf. W000345067
PROMIG NG 341 - 5 M	réf. W000345068

PROMIG NG 341 W - 3 M	réf. W000345069
PROMIG NG 341 W - 4 M	réf. W000345070
PROMIG NG 341 W - 5 M	réf. W000345071

PROMIG NG 441 - 3 M	réf. W000345072
PROMIG NG 441 - 4 M	réf. W000345073
PROMIG NG 441 - 5 M	réf. W000345074

PROMIG NG 441W - 3 M	réf. W000345075
PROMIG NG 441W - 4 M	réf. W000345076
PROMIG NG 441W - 5 M	réf. W000345077

PROMIG NG 450W - 3 M	réf. W000274865
PROMIG NG 450W - 4 M	réf. W000274866
PROMIG NG 450W - 5 M	réf. W000274867

5.3. TORCHES PUSH PULL

PROMIG PP 341 8M	réf. W000385860
PROMIG PP 441W 8M	réf. W000385862
PROMIG PP 341 8M AVEC POTENTIOMETRE	réf. W000385861
PROMIG PP 441W 8M AVEC POTENTIOMETRE	réf. W000385863

5.4. TORCHES A POTENTIOMETRE

DIGITORCH P 341 - 4M	réf. W000345014
DIGITORCH P 341W - 4M	réf. W000345016
DIGITORCH P 441W - 4M	réf. W000345018

Outre les fonctions d'une torche standard, elle permet : de régler la vitesse fil et la longueur d'arc hors et en soudage

6 - MAINTENANCE

6.1. GENERAL

2 fois par an, en fonction de l'utilisation de l'appareil, inspecter :

- ⇒ la propreté du générateur
- ⇒ les connexions électriques et gaz.

ATTENTION :

Ne jamais entreprendre un nettoyage interne ou dépannage du poste sans s'être assuré au préalable que le poste est effectivement débranché du réseau.

Démonter les panneaux du générateur et aspirer les poussières et particules métalliques accumulées entre les circuits magnétiques et les bobinages du transformateur.

Le travail sera exécuté avec un embout plastique afin de ne pas endommager les isolants des bobinages.



A chaque mise en route de l'installation et avant toute intervention technique SAV, vérifier que :

- ⇒ les bornes de puissance ne soient pas mal serrées.
- ⇒ qu'il s'agit de la bonne tension d'alimentation réseau.
- ⇒ le débit du gaz.
- ⇒ l'état de la torche.
- ⇒ la nature et le diamètre du fil.

2 FOIS PAR AN :



- ⇒ Etalonnage des choix de mesure courant et tension.
- ⇒ vérifier les connexions électriques des circuits de puissance, de commande et d'alimentation.
- ⇒ l'état des isolants, des câbles, des raccords et des canalisations.

6.2. GALETS ET GUIDES FILS

Ces accessoires assurent, dans des conditions d'utilisations normales, un service prolongé avant de nécessiter leur échange. Il arrive cependant qu'après un temps d'utilisation, une usure exagérée ou un colmatage dû à un dépôt adhérent, se manifeste.

Pour minimiser ces effets négatifs, il est bon de veiller à l'état de propreté de la platine. Le groupe moto réducteur ne nécessite aucun entretien

6.3. TORCHE

Vérifier régulièrement le bon serrage des connexions assurant l'amenée du courant de soudage, les contraintes mécaniques associées aux chocs thermiques contribuent à desserrer certaines pièces de la torche notamment :

- ⇒ tube contact
- ⇒ câble coaxial
- ⇒ lance de soudage
- ⇒ connecteur rapide

Vérifier le bon état du joint équipant l'olive d'amenée de gaz. Eliminer les projections entre le tube contact et la buse d'une part, entre la buse et la jupe d'autre part. L'élimination des projections est d'autant plus facile qu'elle est faite à des intervalles de temps rapprochés.

Il faut éviter d'utiliser un outil dur qui rayerait les surfaces de ces pièces favorisant l'accrochage ultérieur des projections.

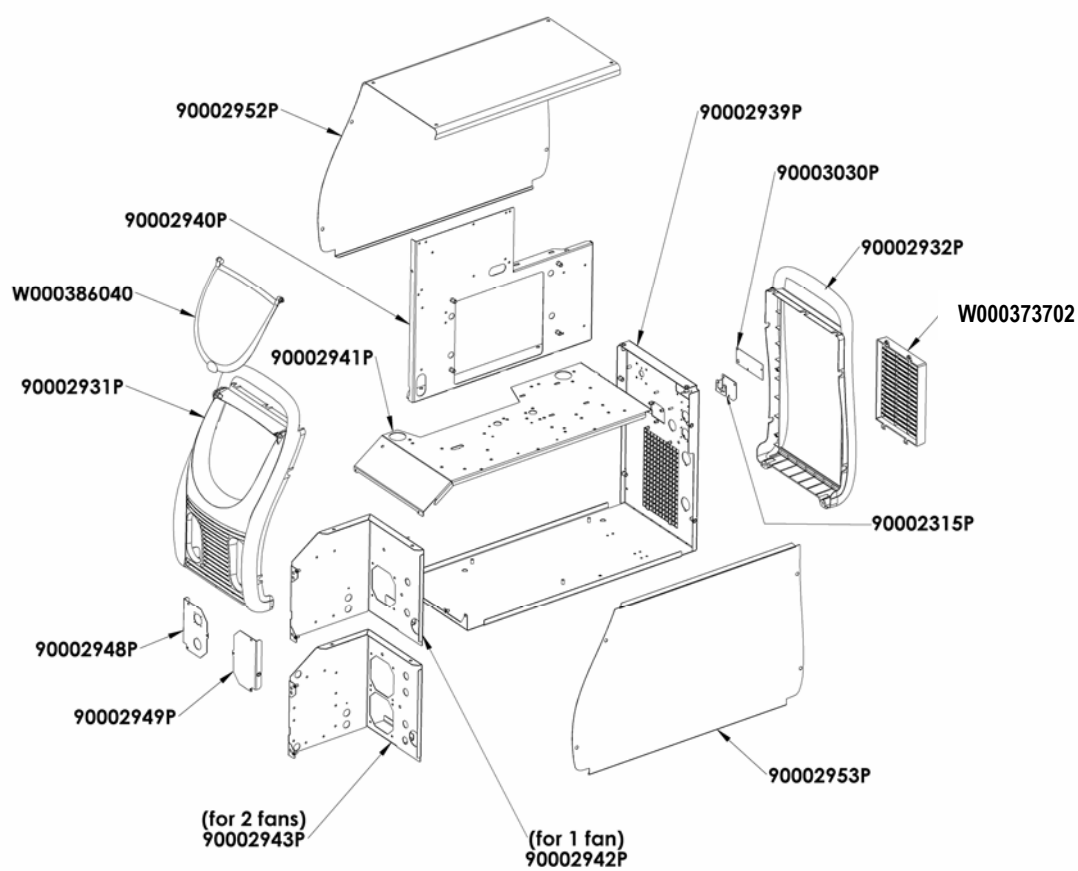
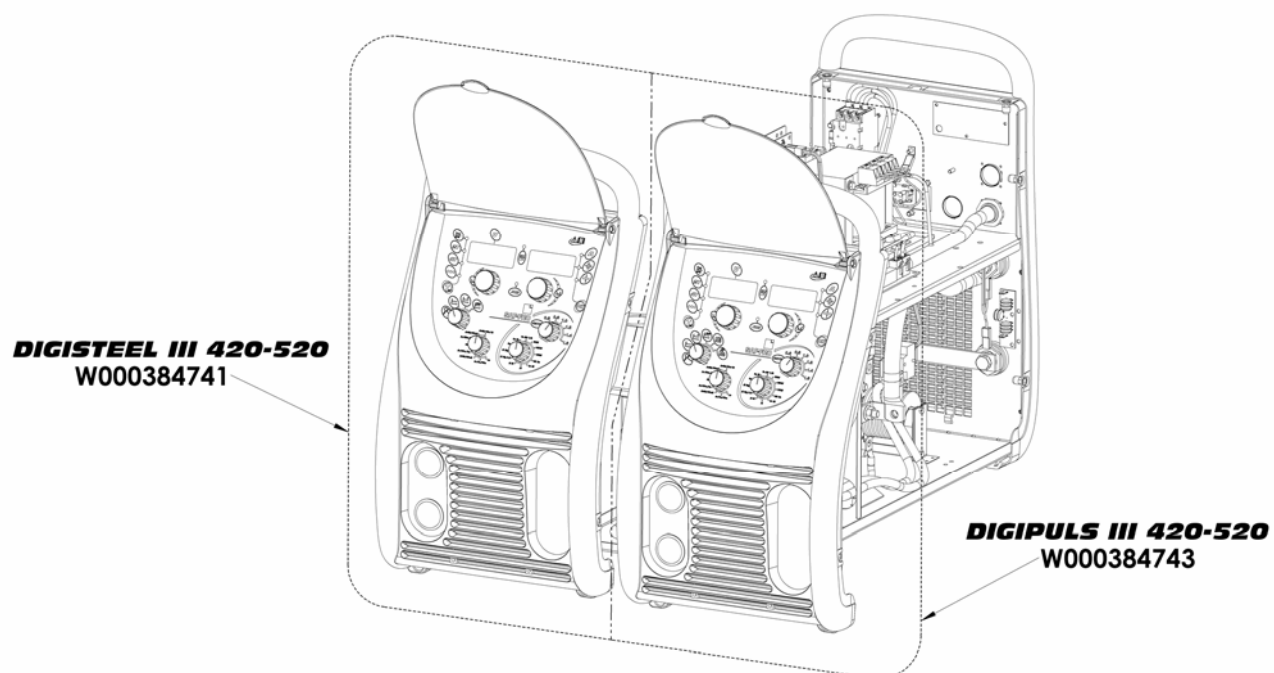
- ⇒ SPRAYMIG SIB, W000011093
- ⇒ SPRAYMIG H20, W000010001

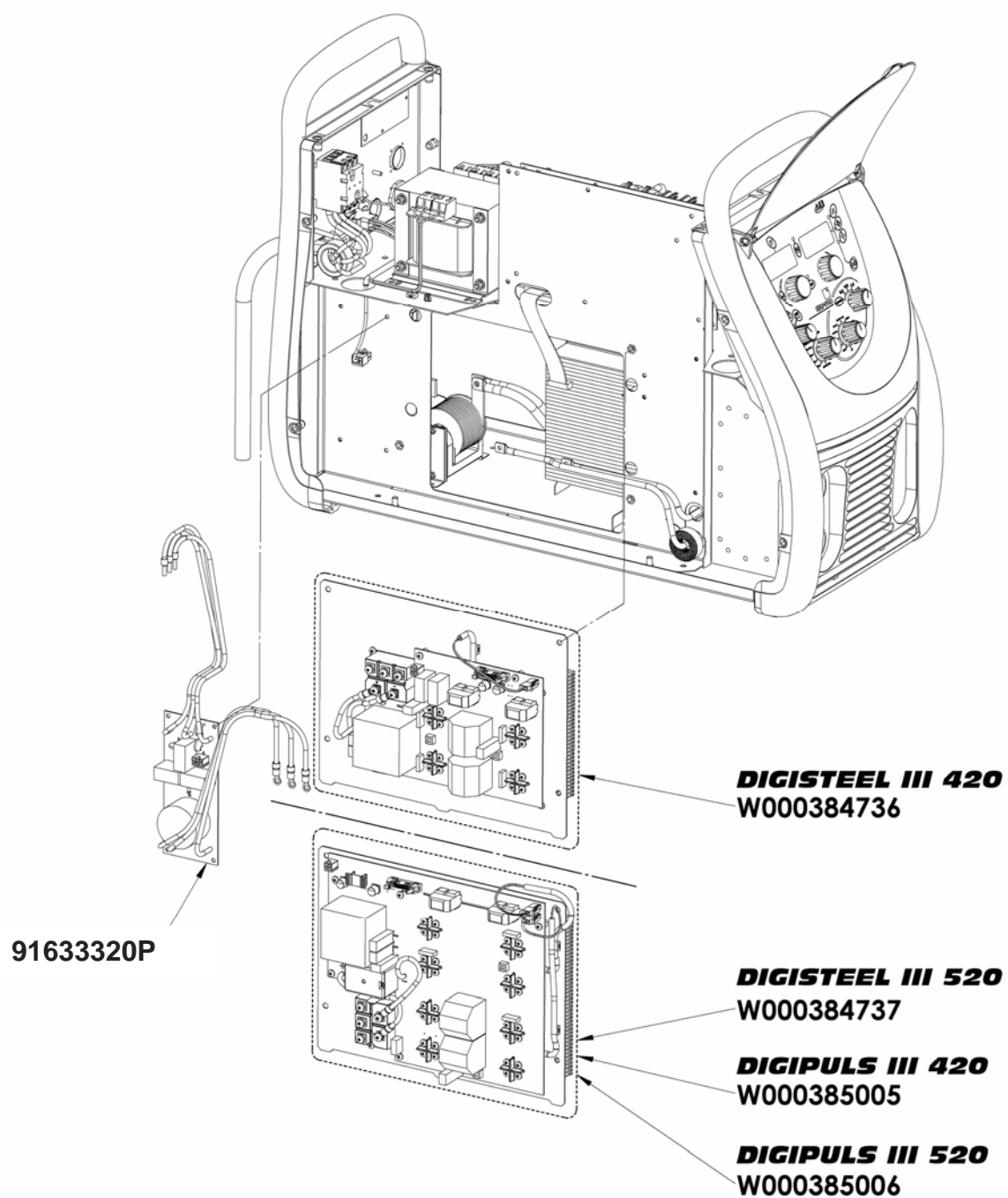
Souffler le conduit d'usure après chaque passage d'une bobine de fil. Effectuer cette opération par le côté fiche à raccordement rapide de la torche. Changer si nécessaire le guide fil d'entrée torche. Une usure importante du guide fil favorise les fuites de gaz vers l'arrière de la torche.

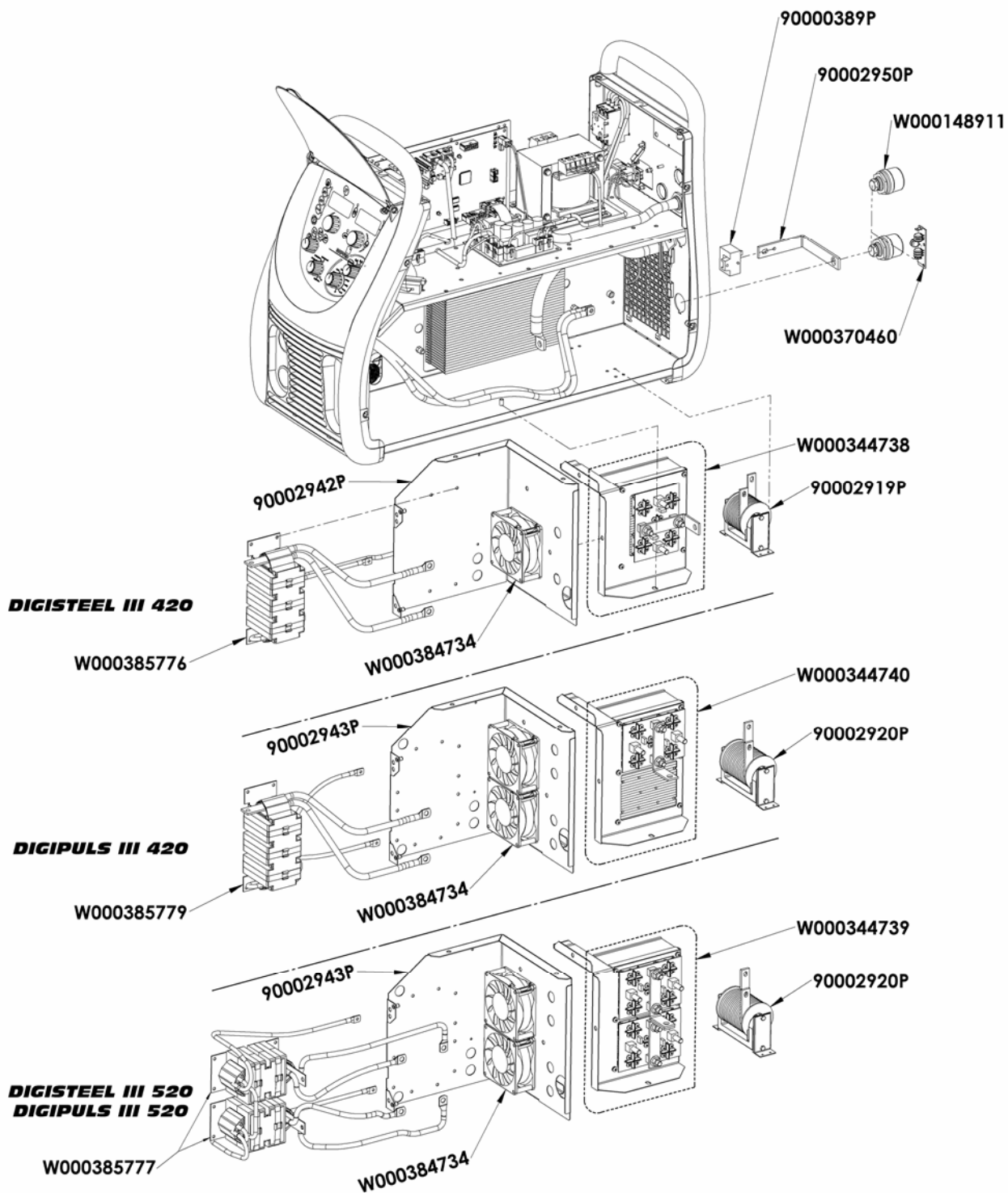
Les tubes contacts sont prévus pour un usage prolongé. Ils sont toutefois usés par le passage du fil, l'alésage devient donc supérieur à la tolérance admise pour un bon contact entre le tube et le fil.

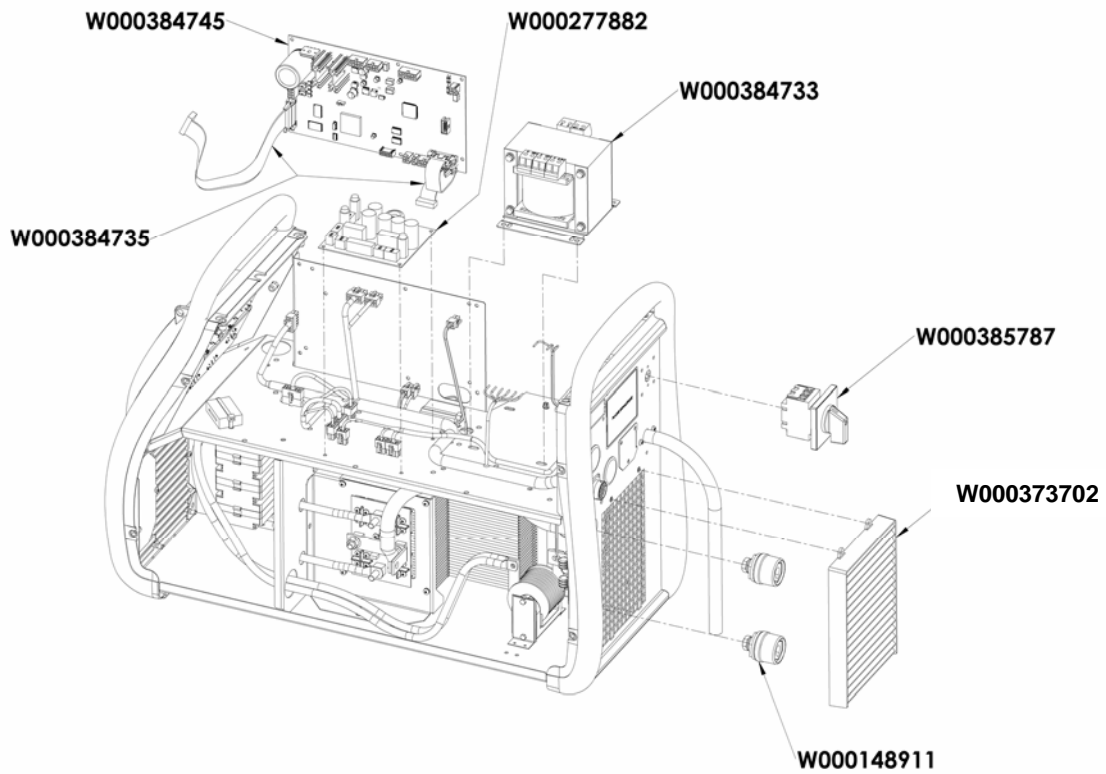
On constate la nécessité d'en effectuer le changement lorsque les conditions de transfert de métal deviennent instables, le réglage des paramètres étant par ailleurs normal.

6.4. PIECES DE RECHANGE

Capots

Composants internes et onduleur :





6.5. PROCEDURE DE DEPANNAGE

Les interventions faites sur les installations électriques doivent être confiées à des personnes qualifiées.

CAUSES	REMEDES
GENERATEUR SOUS TENSION ET AFFICHEURS DE FACE AVANT ETEINTS	
Alimentation du générateur	Vérifier l'alimentation réseau (Entre chaque phase)
AFFICHAGE DU MESSAGE E01 ond	
Dépassement du courant maximum à l'amorçage	Appuyer sur OK pour acquiescer le défaut. Si ce dernier persiste contacter le service après vente
AFFICHAGE DU MESSAGE E02 inu	
Uniquement au démarrage du générateur. Mauvaise reconnaissance de la source de puissance. Connectique interne en défaut	Contacteur le service après vente Vérifier que la nappe entre la carte primaire et la carte cycle commande est bien connectée.
AFFICHAGE DU MESSAGE E07 400	
Tension réseau non adaptée	Vérifier que la tension réseau entre chaque phase est comprise entre 320V et 480V. Sinon faites vérifier votre installation électrique
AFFICHAGE DU MESSAGE E24 SE_n	
Connectique interne en défaut	Vérifier que le connecteur B9 est bien connecté sur la carte cycle (sinon pas de mesure de température) La sonde thermique est hors service, veuillez contacter le service après vente
AFFICHAGE DU MESSAGE E25°C	
Surchauffe de la source de puissance Défaut ventilation	Laisser refroidir le générateur Le défaut disparaît de lui-même au bout de quelques minutes Vérifier que la ventilation fonctionne correctement
AFFICHAGE DU MESSAGE E33 MEM-LIM m Ce message indique que la mémoire interne n'est plus opérationnelle	
Mauvais fonctionnement durant la sauvegarde Composant en défaut	Appeler le service après vente.
AFFICHAGE DU MESSAGE E34 CFG	
Une sélection de paramètre incohérente Ex : mode 4T en auto N1	Appliquer une sélection cohérente
AFFICHAGE DU MESSAGE E43 brd	
Carte électronique en défaut	Appeler le service après vente.
AFFICHAGE DU MESSAGE E50 H2o	
Groupe de refroidissement en défaut	Vérifier la connectique du groupe Contrôler le groupe de refroidissement (Transformateur, pompe...) Si aucun groupe n'est branché, désactiver le paramètre dans le menu SETUP.
AFFICHAGE DU MESSAGE E63 IMO	
Défaut mécanique	Galets presseur trop serré Gaine de dévidage encrassée Frein axe de bobine de dévidage trop serré.
AFFICHAGE DU MESSAGE E65-Mot	
Connectique défectueuse Défaut mécanique Alimentation du générateur	Vérifier le raccordement de la nappe codeur sur le moteur du dévidoir. Vérifier que l'ensemble dévidage n'est pas bloqué. Vérifier le raccordement de l'alimentation moteur. Vérifier F2 (6A) sur la carte alimentation auxiliaire.
AFFICHAGE DU MESSAGE E71 -DIA-MET-GAS	
Sélecteur HMI PROCESS-DIAMETER-METAL-GAS en défaut	Tourner le sélecteur pour déverrouiller, et appeler le service après vente si toujours en défaut
AFFICHAGE DU MESSAGE StE PUL	
Reconnaissance onduleur en défaut	Appeler le service après vente
AFFICHAGE DU MESSAGE I-A-MAXX	
Courant maximum délivrable par le générateur atteint	Réduire la vitesse fil ou la longueur d'arc.

AFFICHAGE DU MESSAGE bPXon

Message indiquant que le bouton OK ou le bouton ANNULER est maintenu enfoncé à des moments inattendus

Appuyer sur le bouton pour déverrouiller, et appeler le service client si toujours en défaut

AFFICHAGE DU MESSAGE SPEXXX

L'alimentation du fil est toujours activée involontairement

Vérifier que le bouton d'alimentation du fil n'est pas bloqué
Vérifiez la connexion de ce bouton et de la carte électronique

AFFICHAGE DU MESSAGE LOA DPC

Le logiciel UPDATE par PC est activé involontairement

Arrêter et démarrer la source d'alimentation, et appeler le service client si toujours défaut

AFFICHAGE DU MESSAGE GACHETTE

Ce message est généré lorsque la gâchette est appuyée à un moment ou cela pourrait démarrer un cycle de soudage de façon involontaire.

Gâchette appuyée avant la mise sous tension du générateur ou pendant le reset d'un défaut

GENERATEUR EN MARCHÉ / PAS DE DEVIDAGE, NI DE COMMANDE GAZ

Connectique faisceau.

Vérifier le branchement de la prise faisceau à l'arrière du poste et sur le dévidoir : Vérifier l'état des contacts

**PAS DE PUISSANCE DE SOUDAGE
AUCUN MESSAGE ERREUR**

Câble de puissance non connecté

Vérifier le raccordement du câble de masse et de la torche

Défaut générateur

En sélection électrode enrobée vérifier la présence d'une tension entre les bornes de soudage à l'avant du générateur. Si pas de tension présente, contactez le service après vente.

QUALITÉ DE SOUDAGE

Mauvaise calibration

Vérifier les paramètres de réglage fin (RFP = 0)

Changement de torche et/ou de câble de masse ou de pièces à souder

Refaire une calibration. (Assurez-vous du bon contact électrique du circuit de soudage

Instabilité ou variations en soudage

Vérifier que le mode séquenceur n'est pas actif. Vérifier le hotstart et l'évanouissement.

Plage de réglage restreinte

Sélectionner le mode manuel, la limitation étant imposée par une loi synergique.

Mauvaise alimentation du générateur

Si vous utilisez la RC JOB vérifiez que vous n'avez pas activé la fonction limitation de réglage inhérente au mot de passe.

Eclatement du fil à l'amorçage

Vérifier le raccordement des 3 phases d'alimentation. Vérifier que la tension d'alimentation est au moins égale à 360V entre phase phases.

AUTRES

Fil collé dans le bain ou au tube contact

Optimiser les paramètres d'extinction d'arc, PR-spray et le post retract

Affichage message triG à la mise sous tension

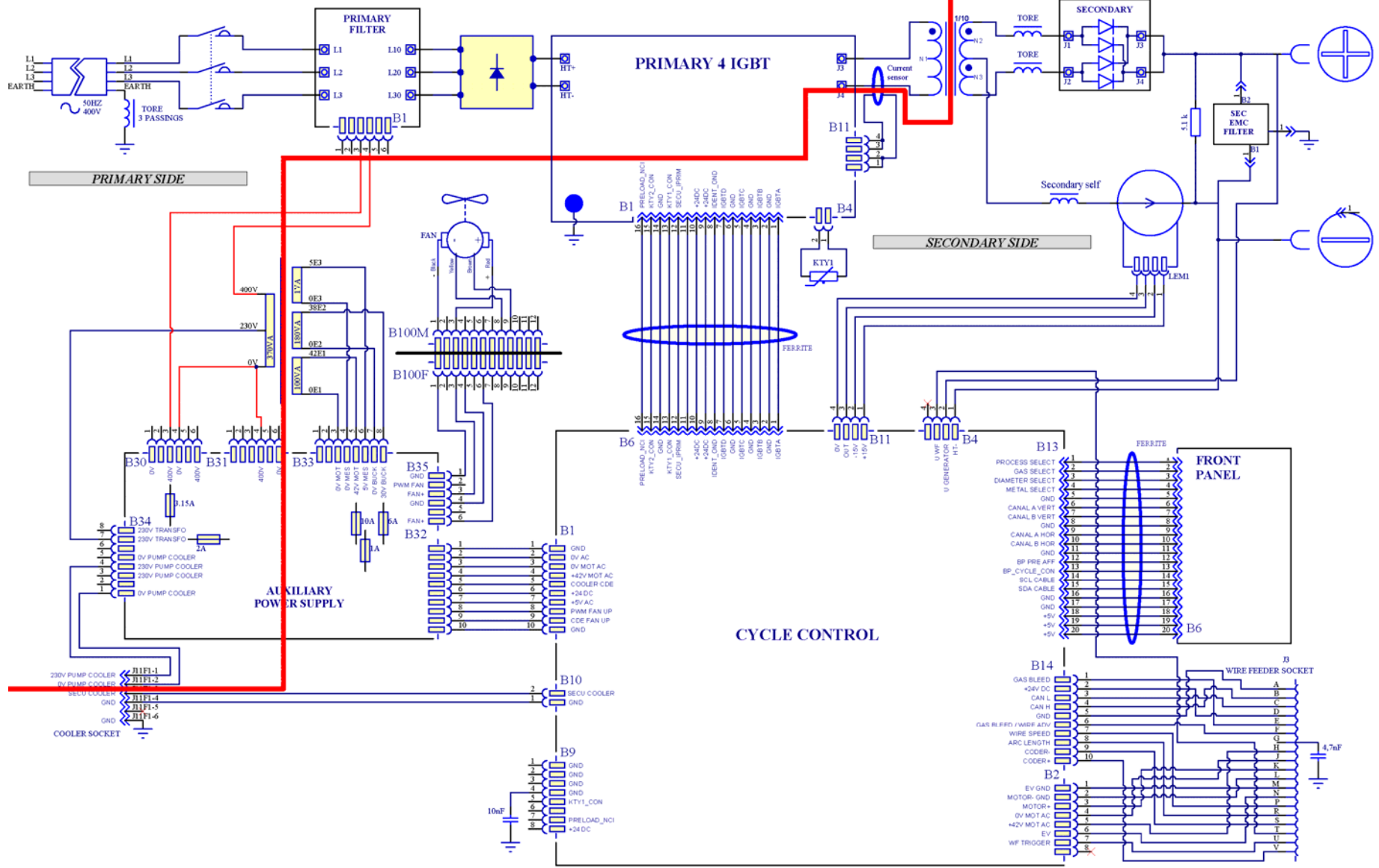
A la mise sous tension du poste, si la gâchette est active, l'affichage indique TriG

Si le problème persiste, vous pouvez procéder au RESET des paramètres usine. Pour cela, poste éteint, sélectionnez la position setup sur le commutateur de face avant puis appuyez sur la touche OK et maintenez-la enfoncée tout en démarrant le générateur.

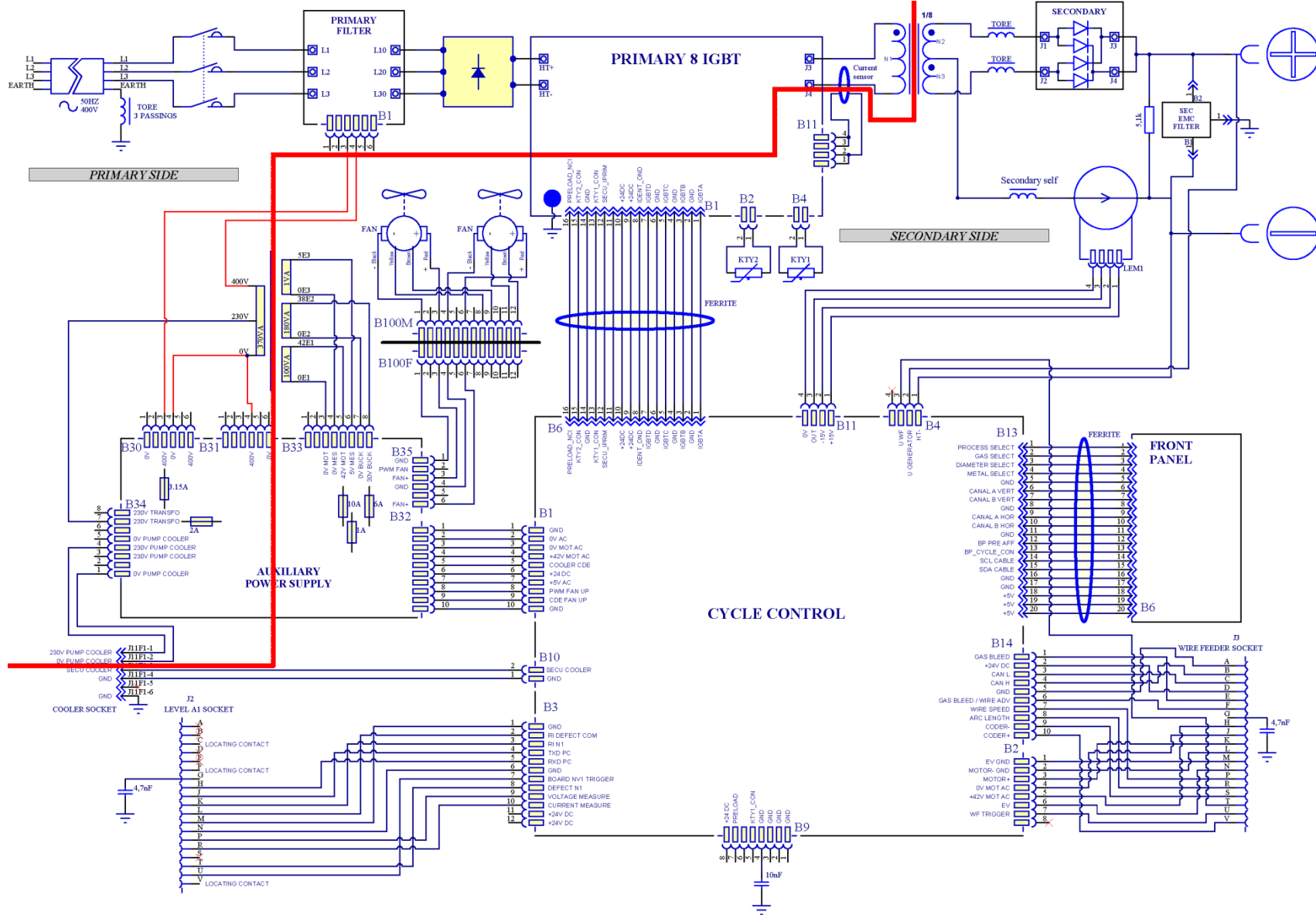
ATTENTION, pensez à relever vos paramètres programmes car après cette manipulation, l'ensemble des programmes mémorisés est effacé. Si le **RESET** usine ne résout pas votre problème veuillez contacter le service après vente.

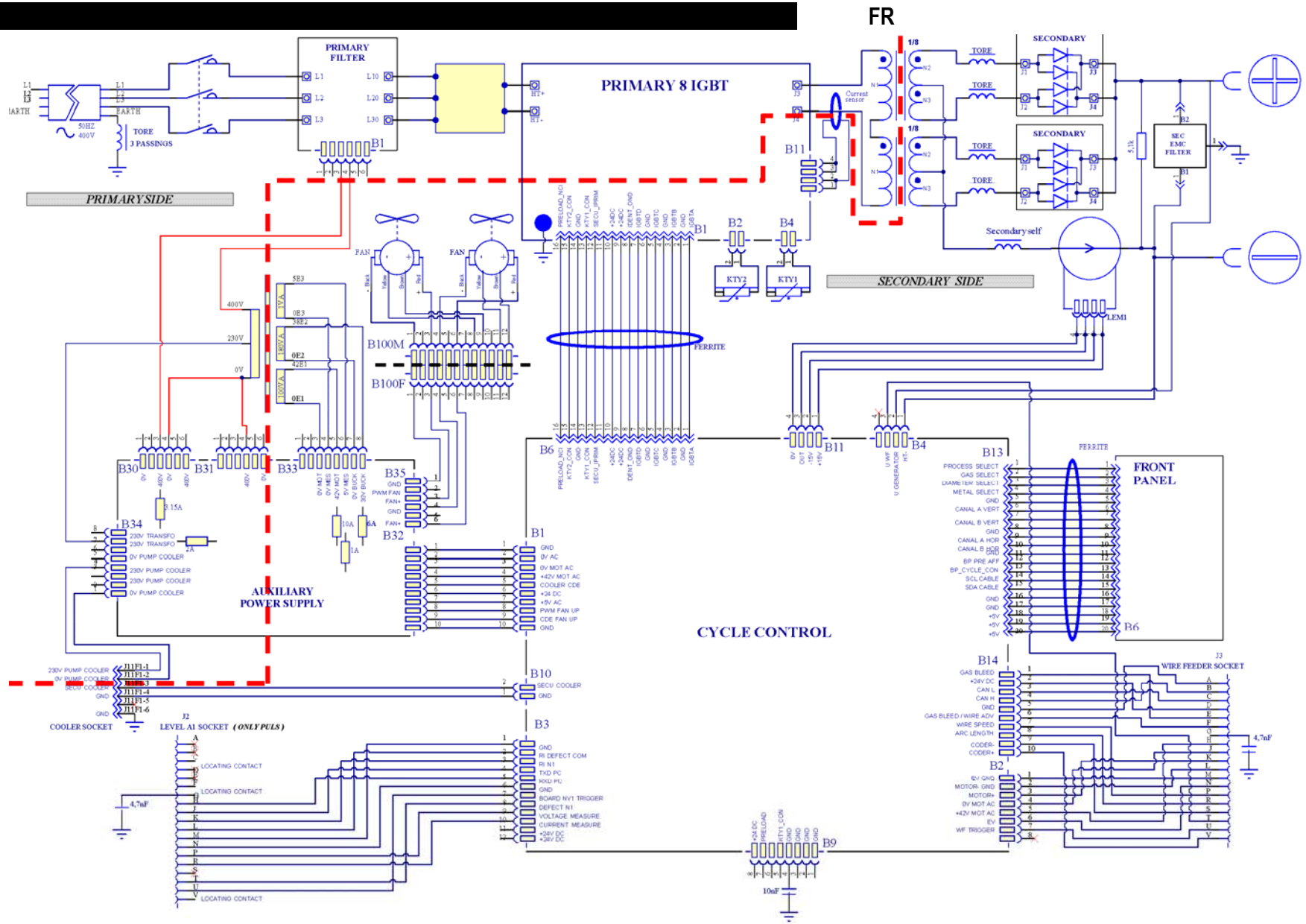
6.6. SCHEMA ELECTRIQUE

FR



DIGISTEEL III 420A





DIGISTEEL III - DIGIPULS III 520A

7 - ANNEXES

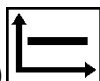
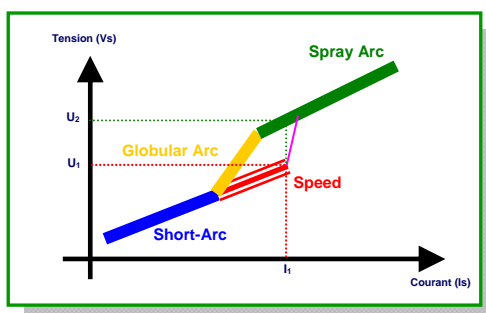
7.1. PRESENTATION DES PROCEDES DE SOUDAGE

Pour les aciers au carbone et inoxydable, le **DIGISTEEL III 420-520 / DIGIPULS III 420-520** possède 3 types de short arc :

- + le short arc "doux" ou « lisse »
- + le short arc « dynamique » ou « SSA »
- + Le short arc HPS

Le Mig Pulsé est utilisable sur tous les métaux (Acier, Inox, Alu) avec les fils pleins comme avec certains fils fourrés. Il est particulièrement recommandé pour les Inox et aluminium car la suppression des projections et l'excellente fusion des fils en font le procédé idéal.

- + Caractéristique d'arc de la source de puissance



Le short arc « doux » ou « lisse » (SA)

Le short arc « doux » apporte une **diminution très importante des projections** en soudage des aciers au carbone, ce qui entraîne une forte réduction des coûts de parachèvement

Il améliore l'aspect des cordons de soudage grâce à un meilleur mouillage du bain de fusion.

Le short arc « doux » permet de souder en toute position. Une augmentation de vitesse de fil permet de passer en spray arc mais ne permet pas d'éviter le passage en régime globulaire.

Forme d'ondes du short arc doux



Note: le short arc "doux" est légèrement plus énergétique que le short arc "dynamique". De ce fait, le short arc "dynamique" pourrait être préféré au short arc "doux" pour le soudage de tôles très fines (≤ 1 mm) ou pour le soudage des passes de pénétration.



Le short arc « dynamique » ou « Speed Short Arc » (SSA)

Le short arc « dynamique » ou « SSA » rend plus souple le soudage des aciers au carbone et inoxydable et permet d'absorber les variations des mouvements de la main du soudeur, par exemple lors du soudage en position. Il permet aussi de mieux compenser les écarts de préparation des tôles.

En augmentant la vitesse de dévidage du fil, le régime SA passe naturellement au régime SSA, en évitant le régime globulaire.

Grâce à la rapidité de contrôle de l'arc et à une programmation adéquate, le **DIGISTEEL III 420-520 / DIGIPULS III 420-520** étend artificiellement le domaine du Short Arc vers des intensités plus élevées : c'est le domaine du **speed short arc**.

Forme d'ondes du short arc dynamique



En supprimant le régime d'arc "globulaire" qui est caractérisé par des grosses projections adhérentes et une énergie plus élevée qu'en short arc, le speed short arc permet :

- ⇒ d'avoir moins de déformations pour une intensité de soudage élevée dans la plage habituelle du régime « globulaire »;
- ⇒ de réduire le nombre de projections par rapport au régime globulaire ;
- ⇒ d'obtenir un bel aspect du cordon ;
- ⇒ de diminuer les émissions de fumées par rapport aux régimes usuels (jusqu'à 25% en moins) ;
- ⇒ d'avoir une bonne pénétration de forme arrondie ;
- ⇒ de souder en toutes positions.

Note: les programmes CO₂ utilisent automatiquement et uniquement le short arc « doux » sans donner accès au speed short arc. Le short arc « dynamique » ne convient pas au soudage sous CO₂, l'arc étant instable.

Le SHORT ARC HPS



Le HPS est un transfert d'arc conçu par LE alliant les avantages des régimes SPRAY ARC et SHORT ARC. C'est un régime puissant utilisant un arc court et plus concentré. La tension de soudage est plus faible qu'avec un régime SPRAY classique, l'énergie apportée est donc plus faible et les matériaux soudés moins contraints. Contrôlé par une régulation numérique parfaitement adaptée, le HPS présente les avantages suivants :

- Un arc très maniable malgré le haut régime utilisé
- La possibilité de souder avec une partie terminale importante permettant de souder en fond de chanfrein lorsque la préparation ne permet pas de passer le tube contact de la torche.
- D'augmenter la pénétration, de réduire les préparations, voir de les supprimer.
- D'augmenter la productivité en limitant les préparations et augmentant la vitesse d'amenée du métal d'apport.
- De supprimer le phénomène de caniveau sur le matériau de base.

Pour plus d'informations, veuillez contacter votre revendeur local.

Le Mig Pulsé NORMAL



Le transfert de métal dans l'arc se fait par détachement de gouttes grâce à des impulsions de courant. Le microprocesseur calcule, pour chaque vitesse de fil, tous les paramètres du Mig Pulsé afin d'obtenir un excellent résultat en soudage et à l'amorçage.

Les avantages du Mig Pulsé sont les suivants :

- ⇒ réduction des déformations pour une intensité de soudage élevée dans la plage habituelle des régimes "globulaire" et spray arc
- ⇒ toutes positions de soudage
- ⇒ excellente fusion des fils inox et alu
- ⇒ suppression quasi-totale des projections donc des travaux de parachèvement
- ⇒ bel aspect du cordon
- ⇒ diminution des émissions de fumées par rapport aux régimes usuels et même speed short arc (jusqu'à 50% en moins)

Les programmations de pulsé pour les Inox des **DIGIPULS III 420-520** permettent de supprimer les petites projections qu'il peut y avoir sur tôles fines avec des vitesses de dévidage de fil très faibles. Ces "billes" sont dues, en particulier, à la légère pulvérisation du métal lors du détachement de goutte ; ce phénomène est plus ou moins important selon la nature et la provenance des fils.

Ces programmations pour les Inox ont été améliorées pour les faibles intensités en apportant plus de souplesse d'utilisation lors du soudage de tôles fines en Mig Pulsé.

Le soudage des tôles fines inox (1 mm) en Mig Pulsé avec un fil de Ø 1 mm sous M12 ou M11 est tout à fait recommandé (30A moyens possibles).

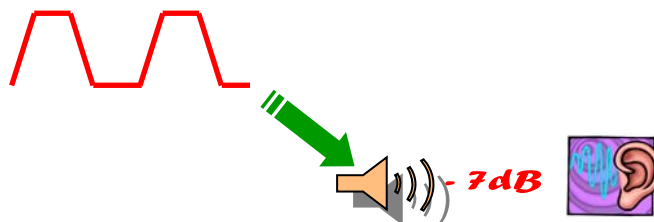
Sur le plan de l'aspect des joints, les **DIGIPULS III 420-520** donnent une qualité comparable à celle obtenue en TIG.

Le MIG pulsé bas bruit ou Soft Silence Pulsé (SSP)



Proposé pour les Ø 1 et 1,2mm en acier ou en inox ces nouvelles synergies de pulsé permettent :

- + une réduction notable du bruit d'arc
- + un arc plus doux, plus énergétique avec un plus grand épanouissement
- + un bain plus chaud donc un cordon bien mouillé



Note : le pulsé bas bruit permet de souder dans un environnement plus agréable. Il amène plus d'énergie au bain et peut donc être très facilement utilisé à plat mais est moins maniable pour le soudage en position.

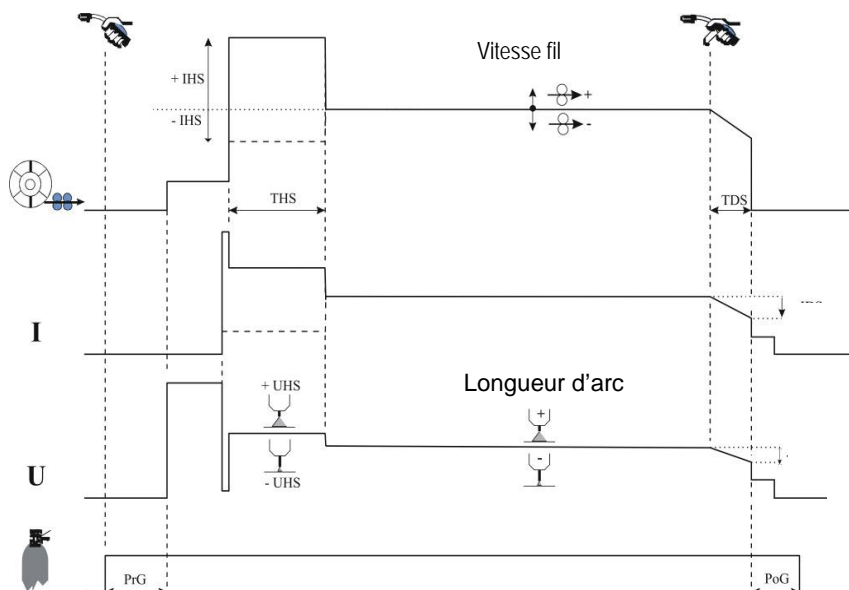
7.2. CYCLES DE SOUDAGE AVANCES

Cycle 2 temps

L'appui sur la gâchette provoque le dévidage, le pré gaz et l'établissement du courant de soudage. Lorsque l'on relâche la gâchette, le soudage s'arrête.

Le cycle Hot Start est validé par le paramètre **tHS=OFF** dans le sous-menu cycle général du SETUP. Il permet de commencer le soudage par un pic de courant facilitant l'amorçage.

L'évanouissement permet de terminer le cordon de soudure par un niveau de soudage décroissant.



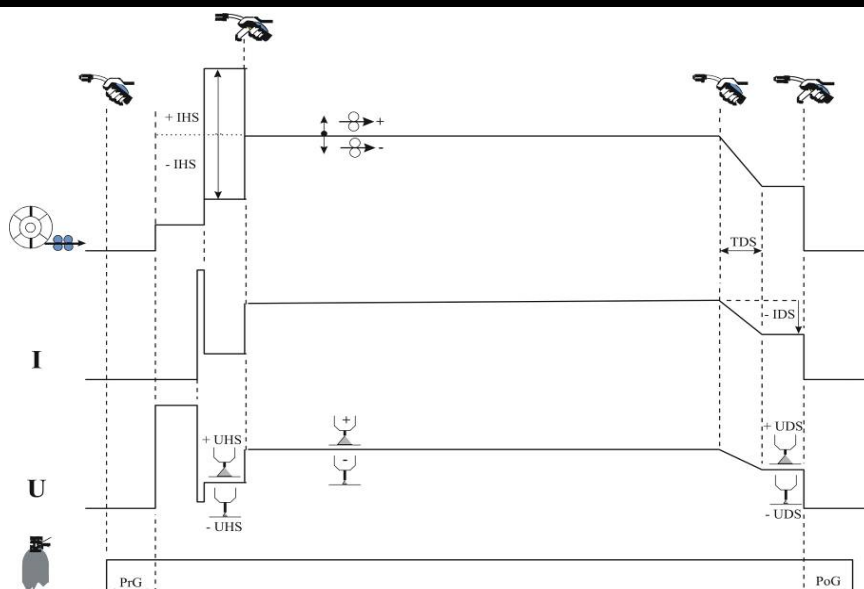
Cycle 4 temps

Le premier appui sur la gâchette démarre le pré gaz puis le Hot Start. Lorsque la gâchette est relâchée, on démarre le soudage. Si pas de HOTSTART activé, il part directement en soudage après le pré gaz. Dans ce cas le relâchement gâchette (2ème temps) n'aura aucun effet, et on restera en cycle de soudage

L'appui sur la gâchette en phase de soudage (3ème Temps) permet de contrôler la durée d'évanouissement selon la temporisation programmée. Si pas d'évanouissement, on passe directement en post Gaz, (programmé dans le setup) dès le relâchement de la gâchette.

En mode 4T, le relâchement de la gâchette stoppe l'anti-cratère si l'évanouissement est ACTIF. Si l'évanouissement est INACTIF, le relâchement de la gâchette arrête le POST-GAZ.

Il n'y a pas de HOT START et d'évanouissement en mode manuel.

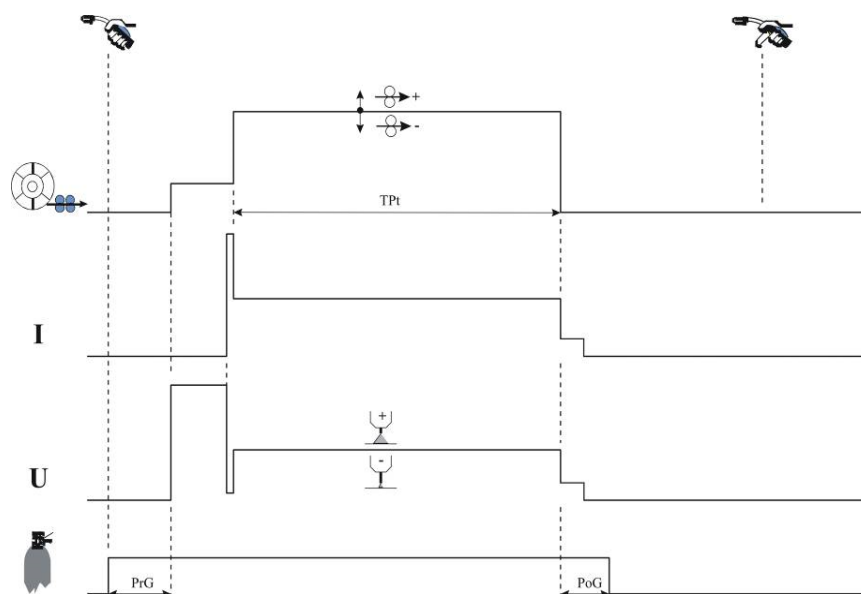


Cycle Point

L'appui sur la gâchette provoque le dévidage, le pré gaz et l'établissement du courant de soudage. Le relâchement de la gâchette arrête le soudage avant la fin du temps de point.

Le réglage du Hot Start, de l'évanouissement ou du séquenceur est impossible.

A la fin de la temporisation de point, le soudage s'arrête.



Cycle Séquenceur

Le séquenceur est validé par le paramètre « **tSE** ≠ **OFF** » dans le sous menu cycle spécifique du SETUP.

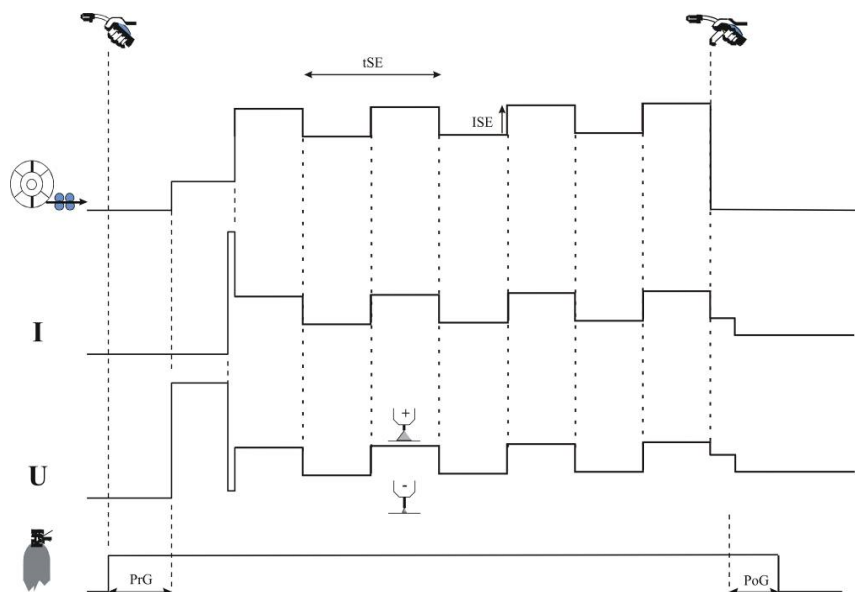
Pour y accéder :

Le paramètre « tSE » apparaît dans le sous menu « CYCLE ». Régler ce paramètre entre 0 et 9.9 s

tSE : Durée des 2 paliers si ≠ OFF

ISE : courant du 2^{ème} palier en % du 1^{er} palier

Seulement en mode synergie, cycle 2T ou 4T



Le réglage fin (paramètre à régler dans le setup cycle « rFP ») :

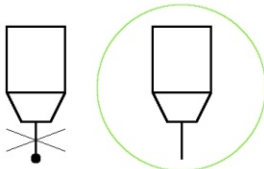
En soudage pulsé le réglage fin permet d'optimiser l'endroit du détachement de la goutte, en fonction des différences sur les compositions des fils et des gaz utilisés.

Lorsque l'on voit dans l'arc de fines projections qui peuvent venir adhérer à la tôle, il faut modifier le réglage fin vers des valeurs négatives.

S'il y a apparition d'un transfert de grosses gouttes dans l'arc, il faut modifier le réglage fin vers des valeurs positives.

Le PR-spray ou affûtage fil

La fin des cycles de soudage peut être modifiée afin d'empêcher la formation d'une boule au bout du fil. Cette action sur le fil procure un réamorçage quasi-parfait. La solution adoptée est d'injecter un pic de courant en fin de cycle ce qui permet d'avoir une extrémité de fil pointue.



Note : ce pic de courant en fin de cycle n'est pas toujours souhaitable : par exemple, lors du soudage de tôles fines, ce dispositif peut générer un cratère.

7.3. LISTE DES SYNERGIES

SHORT ARC (SA)						
	0.6 mm	0.8 mm	1 mm	1.2 mm	1.4 mm	1.6 mm
Fe SG 1/2	M21	M21	M21	M21	/	M21
	M14	M14	M14	M14	/	M14
	M20	M20	M20	M20	/	M20
	/	I1	I1	I1	/	I1
CrNi	/	M11	M11	M11	/	M11
	/	M12	M12	M12	/	M12
	/	M12	M12	M12	/	M12
AlSi	/	/	C1	C1	/	C1
Al	/	/	/	C1	/	C1
AlMg 3.5	/	/	C1	C1	/	C1
AlMg 5	/	/	C1	C1	/	C1
Cu Si	/	C1	C1	C1	/	/
Cu Al	/	/	C1	C1	/	/
SD Zn	/	/	M21	M21	/	/
RCW : SD 100	/	/	M21	M21	/	M21
	/	/	I1	I1		I1
MCW : SD 200	/		M21	M21	M21	M21
BCW : SD 400	/	/	/	M21	/	M21
	/	/	/	I1	/	I1
SPEED SHORT ARC (SSA)						
	0.6 mm	0.8 mm	1 mm	1.2 mm	1.4 mm	1.6 mm
Fe SG 1/2	M21	M21	M21	M21	/	M21
	M14	M14	M14	M14	/	M14
	M20	M20	M20	M20	/	M20
CrNi	/	M12	M12	M12	/	M12
	/	M12	M12	M12	/	M12
	/	M11	M11	M11	/	M11
MCW : SD 200	/	/	/	M21	/	/
HPS						
	0.6 mm	0.8 mm	1 mm	1.2 mm	1.4 mm	1.6 mm
Fe SG 1/2	/	/	M21	M21		/
	/	/	M20	M20		/
MCW : SD 200	/	/	/	M21	M21	/
	/	/	/	M20	M20	/
	/	/	/	M14	M14	/
PULS						
	0.6 mm	0.8 mm	1 mm	1.2 mm	1.4 mm	1.6 mm
Fe SG 1/2	/	M21	M21	M21	/	M21
	/	M14	M14	M14	/	M14
	/	M20	M20	M20	/	M20
CrNi	/	M11	M11	M11	/	M11
	/	M12	M12	M12	/	M12
	/	M12	M12	M12	/	M12
AlSi	/	/	C1	C1	/	C1
Al	/	/		C1	/	C1
AlMg 3.5	/	/	C1	C1	/	C1
AlMg 5	/	/	C1	C1	/	C1
Cu Si	/	/	C1	C1	/	/
Cu Al	/	/	C1	C1	/	/
MCW : SD 200	/	/	/	M21	/	M21
BCW : SD 400	/	/	/	M21	/	/

LOW NOISE PULS						
	0.6 mm	0.8 mm	1 mm	1.2 mm	1.4 mm	1.6 mm
Fe SG 1/2	/	/	M21	M21	/	/
	/	/	M14	M14	/	/
	/	/	M20	M20	/	/
CrNi	/	/	M12	M12	/	M12
	/	/	M12	M12	/	M12
	/	/	M11	M11	/	M11

NOTE: Pour toute autre synergie, veuillez contacter votre agence commerciale la plus proche.

GAZ TABLE	
Description	Old gaz reference
Ar82/CO ₂ 18	M21
Ar92/CO ₂ 8	M20
Ar/CO ₂ /O ₂	M14
CO ₂	I1
Ar/CO ₂ /H ₂	M11
Ar98/CO ₂ 2	M12
Ar/He/CO ₂	M12
Ar	C1

WIRES TABLE		
Description	Désignation	Reference
Fe SG ½	Steel solid wire	NERTALIC G2 FILCORD FILCORD C FILCORD D FILCORD E STARMAG
Cu Si	Copper Silicium solid wire	
Cu Al	Copper Aluminum solid wire	FILCORD 46
Al Mg 5	Aluminum solid wire	FILALU Al Mg 5
Al Mg 3.5		FILALU Al Mg 3
Al Si		FILALU Al Si 5
Al		FILALU 99.5 Ti
Cr Ni	Stainless steel solid wire	FILINOX 307 FILINOX 308 Lsi FILINOX 309 Lsi FILINOX 316 Lsi
Sd Zn	Galvanised solid wire	FILCORD Zn
BCW	Basic cored wire	SAFDUAL STEELCORED INOXCORED
MCW	Metallized powder cored wire	
RCW	Rutile cored wire	



SAF-FRO

DIGISTEEL III 420/520

DIGIPULS III 420/520



ES

INSTRUCCIONES DE SEGURIDAD PARA LA OPERACIÓN Y EL MANTENIMIENTO

Cat n° : 8695-1251
Rev : D
Date : 02/2018



Contact : www.saf-fro.com



ES La soldadura por arco y de corte por plasma puede ser peligrosa para el operador y las personas cercanas a la zona de trabajo. Lea el manual de instrucciones.

1 - INFORMACIÓN GENERAL	4
1.1. PRESENTACIÓN DE LA INSTALACIÓN	4
1.2. COMPONENTES DEL EQUIPO.....	4
1.3. ESPECIFICACIONES TÉCNICAS	5
2 - PUESTA EN MARCHA	6
2.1. CONEXIONES ELÉCTRICAS AL SUMINISTRO PRINCIPAL	6
2.2. CONEXIÓN DE LA DEVANADERA	6
2.3. PIEZAS DE DESGASTE PARA LA GUIA DE ALAMBRE	6
2.4. CONEXIÓN DE LA TORCHA ET LA DEVANADERA	6
2.5. CONEXIÓN DE ENTRADA DE GAS	7
2.6. ENCENDIDO	7
3 - INSTRUCCIONES DE USO	8
3.1. FUNCIONES DEL PANEL DELANTERO.....	8
3.2. CALIBRACIÓN DE LA FUENTE DE ALIMENTACIÓN.....	9
3.3. PANTALLA Y USO	9
4 - OPCIONES, ACCESORIOS	12
5 - HACES ET TORCHA	14
5.1. HACES.....	14
5.2. TORCHA.....	14
5.3. TORCHA PUSH PULL.....	14
5.4. TORCHA A POTENCIOMETRO	14
6 - MANTENIMIENTO	15
6.1. GENERAL	15
6.2. RODILLOS Y GUÍA DEL ALAMBRE	15
6.3. TORCHA.....	15
6.4. REPUESTOS, COMPONENTES	16
6.5. PROCEDIMIENTO DE SOLUCIÓN DE PROBLEMAS	20
6.6. SCHEMA ELECTRIQUE.....	22
7 - ANEXOS	25
7.1. PRESENTACIÓN DE LOS PROCESOS DE SOLDADURA	25
7.2. CICLO DE SOLDADURA AVANZADA	27
7.3. LISTA DE SINERGIAS	30

1 - INFORMACIÓN GENERAL

1.1. PRESENTACIÓN DE LA INSTALACIÓN

DIGISTEEL III 420-520 / DIGIPULS III 420-520 es un equipo de soldadura manual que permite lo siguiente:

- + Soldadura MIG-MAG con arco corto, arco corto de velocidad, pulverización de arco, HPS, modo pulsado normal (según DIGIPULS), que utiliza corrientes de 15A à 420A ou de 15A à 520A.
- + Alimentación de diferentes tipos de alambre:
 - ⇒ Acero, acero inoxidable, aluminio y cables especiales
 - ⇒ Alambres sólidos y tubulares
 - ⇒ diámetros de 0.6-0.8-1.0-1.2-1.4-1.6mm
- + soldadura de electroo revestido.
- + Proceso de ranurado (requiere le KIT W000010999)
- + Soldadura de refuerzo de alambre MIG con CUPRO Alu o CUPRO silicio

Se entrega lista para su uso en conjunto con las alimentadoras de alambre DVU P400 o DVU P500

1.2. COMPONENTES DEL EQUIPO

El equipo de soldadura consta de 5 componentes principales:

- 1 - Fuente de alimentación incluidos su cable primario (5m) y su cable a tierra (5m)
- 2 - Unidad refrigerante (opcional)
- 3 - La devanadera
- 4 - El haz de unión de doble vástago, entre la devanadera y la fuente de potencia,
- 5 - El carro de taller (opcione),

Cada elemento se pide y se entrega por separado.

Las opciones pedidas con la instalación se entregan por separado. Para la instalación de estas opciones, remítase a las instrucciones de montaje suministradas con la opción.



ADVERTENCIA:

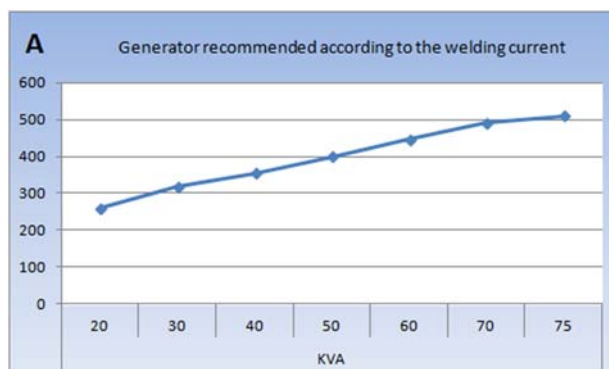
Los mangos de plástico no están destinados para eslingar el equipo. La estabilidad del equipo está garantizada sólo para una pendiente máxima de 10°.

1.3. ESPECIFICACIONES TÉCNICAS

	DIGISTEEL III 420 W000383615	DIGISTEEL III 520 W000383617	DIGIPULS III 420 W000383661	DIGIPULS III 520 W000383662
Lado primario				
Fuente de alimentación primaria	400 V	400 V	400 V	400 V
Frecuencia de suministro de energía primaria	50/60Hz	50/60Hz	50/60Hz	50/60Hz
Consumo primario efectivo	18,5 A	28,5 A	21,1 A	28,5 A
Consumo primario máximo	26 A	33,9 A	27,1 A	33,9 A
Fusible principal	25 A Gg	32 A Gg	25 A Gg	32 A Gg
Máxima potencia aparente	18 KVA	23,8 KVA	18,9 KVA	23,8 KVA
Máxima potencia activa	17,2 KW	22,4 KW	17,7 KW	22,4 KW
Potencia activa en modo de espera (IDLE)	28 W	29 W	29 W	29 W
Eficiencia a corriente máxima (MIG)	87	89	87	89
Factor de potencia en corriente máxima (MIG)	0,96	0,94	0,93	0,94
Cos Phi	0,99	0,99	0,99	0,99
Lado secundario				
Tensión sin carga (de acuerdo al estándar) en MIG	57 V	73 V	73 V	73 V
Rango de soldadura máx. MIG	14,8V / 35 V 15A / 420A	14,8V / 39 V 15A / 500A	14,8V / 35 V 15A / 420A	14,8V / 39 V 15A / 500A
Rango de soldadura máx. MMA	15A / 420A	15A / 500A	15A / 420A	15A / 500A
Ciclo de trabajo al 100% en MIG (ciclo de 10 min a 40°C)	350A	450A	350A	450A
Ciclo de trabajo al 60% en MIG (ciclo de 6 min a 40°C)	380A	500A	420A	500A
Ciclo de trabajo en la corriente máxima a 40°C en MIG	40%	60%	60%	60%
Varios				
Dimensiones (LxAxAlt.)	720 x 295 x 525	720 x 295 x 525	720 x 295 x 525	720 x 295 x 525
Peso	34 kg	40 kg	36 kg	40 kg
Temperatura de funcionamiento	-10° C / +40° C	-10° C / +40° C	-10° C / +40° C	-10° C / +40° C
Temperatura de almacenamiento	-20° C / +55° C	-20° C / +55° C	-20° C / +55° C	-20° C / +55° C
Conexión de la torcha	"Européen"	"Européen"	"Européen"	"Européen"
Índice de protección	IP 23	IP 23	IP 23	IP 23
Clase de aislamiento	H	H	H	H
Normas	60974-1 & 60974-10	60974-1 & 60974-10	60974-1 & 60974-10	60974-1 & 60974-10



ADVERTENCIA: Esta fuente de alimentación no se puede utilizar bajo lluvia o nieve. Se puede almacenar en el exterior pero no está diseñada para su uso sin protección durante la lluvia.



2 - PUESTA EN MARCHA

2.1. CONEXIONES ELÉCTRICAS AL SUMINISTRO PRINCIPAL

DIGISTEEL III 420-520 / DIGIPULS III 420-520 es un equipo de soldadura trifásico de 400 V. Si el suministro de la red eléctrica corresponde a los requisitos, conecte el enchufe "trifásico + descarga a tierra" en el extremo del cable de alimentación.



ADVERTENCIA: Debido a que la impedancia del sistema de baja tensión pública en el punto de acoplamiento común es inferior a :

98,2 mΩ for the DIGISTEEL III 420

28 mΩ or the DIGIPULS III 420

20.6 mΩ or the DIGISTEEL III 520 and DIGIPULS III 520.

Este equipo es compatible con las normas IEC 61000-3-11 e IEC 61000-3-12 y se puede conectar a los sistemas públicos de baja tensión. Es la responsabilidad del instalador o del usuario del equipo, mediante consulta con el operador de la red de distribución, si es necesario, asegurarse que la impedancia del sistema cumple con las restricciones de impedancia.



ADVERTENCIA: Este equipo de Clase A no está destinado para su uso en lugares residenciales donde la energía eléctrica es proporcionada por el sistema de suministro de baja tensión pública. Puede haber posibles dificultades en la consecución de la compatibilidad electromagnética en esos lugares, debido a perturbaciones radiadas o conducidas.

2.2. CONEXIÓN DE LA DEVANADERA



ATENCIÓN : se debe efectuar con el generador desconectado.

Conecte el arnés para el alimentador de alambre mientras utilice las ubicaciones de los conectores apropiados

Conectar el otro extremo del haz con el generador.

Unir el soplete de soldadura MIC a la devanadera.

2.3. PIEZAS DE DESGASTE PARA LA GUIA DE ALAMBRE

	GUÍA DE ENTRADA DE ALAMBRE	ADAPTADOR	RODILLO	GUÍA DE ALAMBRE INTERMEDIA	GUÍA DE SALIDA DE ALAMBRE	
ACERO ACERO INOXIDABLE	0,6 / 0,8	Plástico W000277333	W000277338	W000277334	W000277335	
	0,9 / 1,2				W000277008	
	1,0 / 1,2				W000267599	W000277335 W000277336
	1,2 / 1,6				W000305126	W000277336
	1,4 / 1,6				W000277009	
ALAMBRE CON NÚCLEO DE FUNDENTE	0,9 / 1,2	W000277333	W000277338	W000277334	W000277335	
	1,2 / 1,6				W000266330	W000277335 W000277336
	1,4 / 1,6				W000277011	W000277336
ALEACIONES LIVIANAS	1,0 / 1,2				ALUKIT W000277622	
	1,2 / 1,6				ALUKIT W000277623	

Uso posible de rodillos de acero ALU con alambre de acero y alambre revestido.

Rodillo de montaje

El montaje de los rodillos en la plataforma requiere un adaptador ref. W000277338.

2.4. CONEXIÓN DE LA TORCHA ET LA DEVANADERA

La torcha de soldadura MIG está conectada a la parte delantera del alimentador de alambre, después de asegurarse de que se haya equipado con las piezas de desgaste correspondientes al alambre utilizado para la soldadura. Para este propósito, consulte las instrucciones de la torcha Si se usa una torcha de AGUA, asegurarse de conectar la unidad de refrigeración a la parte trasera del generador, así como también al arnés de "agua".



ATENCIÓN

El funcionamiento de la unidad de refrigeración sin carga mientras la torcha esta desconectada, puede causar su destrucción.

2.5. CONEXIÓN DE ENTRADA DE GAS

La salida de gas está colocada en la parte trasera de la fuente de alimentación. Basta con conectarla a la toma/regulador de presión del cilindro de gas.

- + Coloque el cilindro de gas en el carrito en la parte trasera de la fuente de alimentación y sujete el tubo por medio de la correa.
- + Abra la válvula del cilindro ligeramente para permitir que las impurezas existentes escapen y vuelva a cerrarla.
- + Monte el regulador de presión/medidor de flujo.
- + Abra el tubo de gas.

Durante la soldadura, el caudal de gas debe estar entre 10 y 20l/min.



ADVERTENCIA:

Asegúrese de que el cilindro de gas se encuentra asegurado al carro por una la correa de seguridad.

2.6. ENCENDIDO

1

El interruptor principal se encuentra en la parte trasera de la fuente de alimentación.

Cambie la dirección de este interruptor para encender la máquina.

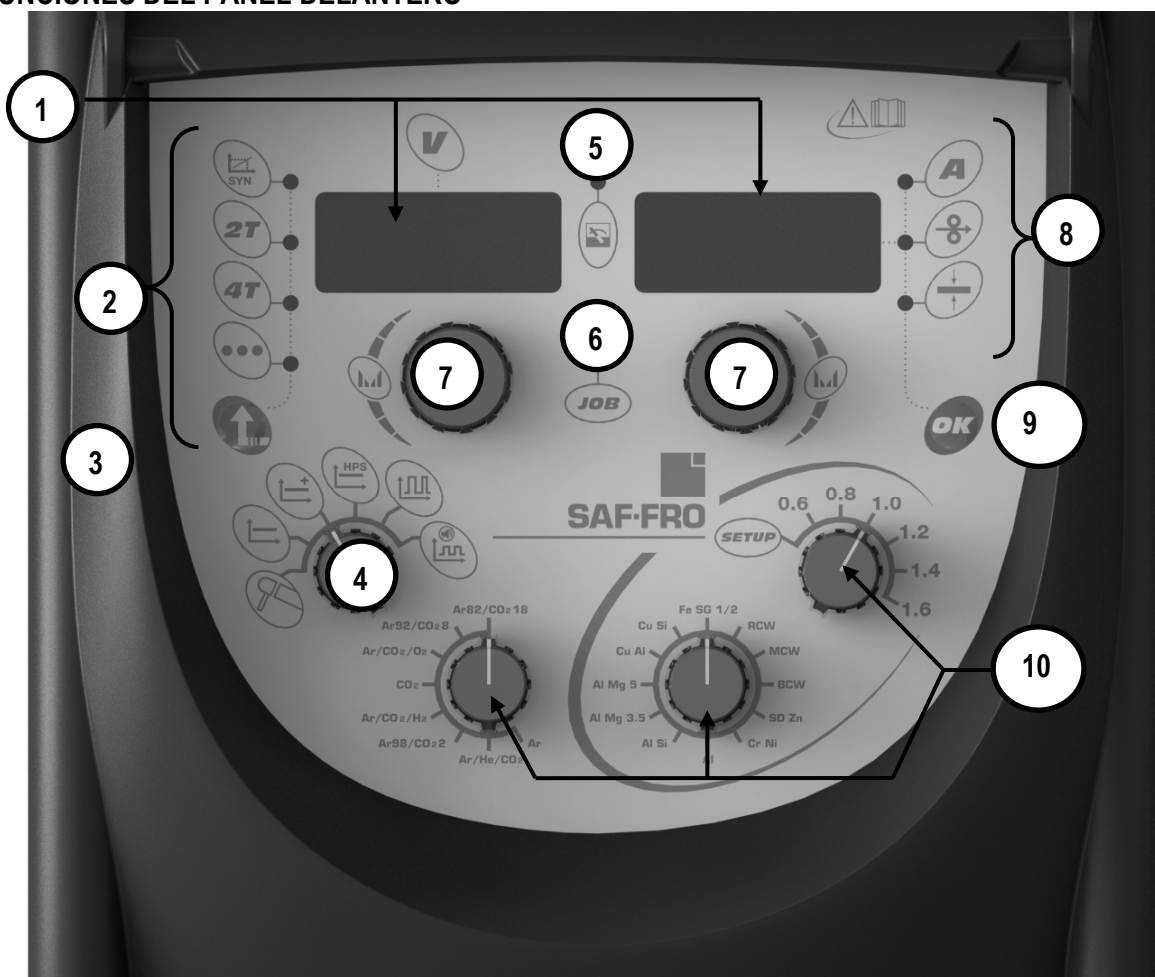


Nota: Este interruptor nunca debe cambiarse de dirección durante el proceso de soldadura.

En cada puesta en marcha, la fuente de alimentación muestra la versión del software y la potencia que reconoce.

3 - INSTRUCCIONES DE USO

3.1. FUNCIONES DEL PANEL DELANTERO



Pantalla izquierda: Tensión, Pantalla derecha: Corriente/Velocidad del cable/Espesor del alambre

1

Pantalla de selección de modo de soldadura

2

Botón selector del modo de soldadura

3

Selectores para el proceso de soldadura

4

Indicador de medición de los valores mostrados (datos de pre-soldadura, soldadura y post-soldadura)

5

Indicador LED para el modo de programación

6

Codificador y la navegación

7

Codificador para la configuración de corriente, el espesor de la lámina de metal

8

Botón selector de pre-visualización

9

Interruptor de selección para el tipo de gas, diámetro del alambre y el tipo de alambre

10

3.2. CALIBRACIÓN DE LA FUENTE DE ALIMENTACIÓN



ADVERTENCIA:

Al poner en marcha por primera vez, la calibración es un paso ineludible para lograr una soldadura de calidad. Si se invierte la polaridad, este paso debe repetirse.

Paso 1: Coloque el interruptor de diámetro de alambre a la posición SETUP y pulse el botón OK para acceder a la pantalla **CO**nFIG Setup.

Paso 2: Seleccione el parámetro **Ca**L con el codificador de la izquierda y seleccione **ON** con el codificador de la derecha.

Paso 3: Presione el botón OK en el panel delantero. La pantalla indica **triGEr**.

Paso 4: Quite la boquilla de la torcha.

Paso 5: Corte el alambre.

Paso 6: Coloque la pieza en contacto con el tubo de contacto.

Paso 7: Presione el disparador.

Paso 8: La pantalla indicará el valor de L (cable de inductancia).

Paso 9: Obtenga el valor de R por medio del codificador de la derecha (cable de la resistencia).

Paso 10: Salir de la configuración.

3.3. PANTALLA Y USO

3.3.1. Modo sinérgico

Los valores de corriente, tensión y espesor que figuran para cada configuración de la velocidad de alimentación de alambre se proporcionan únicamente con fines informativos. Se corresponden con las mediciones en condiciones de funcionamiento dadas, como la posición, la longitud de la sección final (posición de soldadura plana, soldadura a tope).

Las unidades de corriente/tensión representadas corresponden a los valores medios medidos y pueden diferir de los valores teóricos.

Indicador LED para el modo de programación:

- ⇒ OFF: pantalla pre-soldadura de las instrucciones.
- ⇒ ON: pantalla de mediciones (valores promedio).
- ⇒ Intermitencia: Mediciones durante el proceso de soldadura.

Selección del alambre, diámetro, gas, proceso de soldadura

Seleccione el tipo de cable, el diámetro hilo, el gas para soldar empleado y el proceso de soldadura girando el interruptor adecuado.

La selección del material determinará los valores disponibles para el diámetro, el gas y los procesos.

Si no existe sinergia, la fuente de alimentación muestra nOt SYn, GAS SYn, DIA SYn, PrO SYn.

Selección del modo de soldadura, la longitud del arco y la visualización previa a la soldadura

Seleccione el modo de soldadura 2T, 4T, de punto, sinérgico y manual mediante el uso del botón retorno (3). La longitud de arco se puede configurar con el codificador de la izquierda (7) y la configuración de la visualización de pre-soldadura se realiza con el codificador de la derecha (8). La selección de pre-configuración de pre-soldadura se realiza con el botón OK. (10)

3.3.2. Modo manual

Este es el modo desacoplado de la máquina para soldar. Los parámetros ajustables para esto son la velocidad del alambre, la tensión del arco y la configuración fina.

En este modo, sólo se muestra el valor de la velocidad del alambre.

3.3.3. Modo SETUP

Acceso a SETUP:

Sólo se puede acceder a la pantalla de configuración SETUP cuando no se está realizando la soldadura, al configurar el selector de diámetro del alambre en el panel delantero en la posición 1.

Consiste en dos menús desplegable:

'CYCLE' → Configuración de las fases del ciclo. Consulte el punto 6.2 para más detalles

'COnFIG' → Configuración de la fuente de alimentación

Configuración de SETUP:

En la posición SETUP, seleccione CYCLE o COnFIG al presionar el botón OK.

Gire el codificador de la **izquierda** para desplazarse por los parámetros disponibles.

Gire el codificador de la **derecha** para establecer sus valores.

Sin inicio de soldadura. Todos los cambios se guardan al salir del menú de configuración.

Lista de parámetros de acceso en el menú CONFIG

Pantalla izquierda	Pantalla izquierda	Pantalla izquierda	Pantalla izquierda	Pantalla izquierda
GrE	On -;OFF - Aut		Aut	Configuración de la unidad de refrigeración de agua. 3 posibles estados: - On : Forzado, la unidad de refrigeración de agua está siempre activada - OFF : No forzado, la unidad de refrigeración de agua está siempre desactivada - Aut : Modo automático, la unidad de refrigeración de agua trabaja de acuerdo a la necesidad
ScU	nc - no - OFF		OFF	Seguridad de la refrigeración por agua. 3 estados posibles: - nc : Normalmente cerrado, - no : Normalmente abierto, - OFF : Desactivado
Unit	US - CE		CE	Unidad mostrada para la velocidad y el grosor del cable: - US: unidad de pulgadas - CE: unidad de contador
CPt	OFF- 0,01 - 1,00	0,01 s	0,30	Actívelo manteniendo el botón de tiempo con el fin de que aparezca el programa (Sólo en el modo de soldadura 4T). Se puede utilizar solamente para los programas de soldadura del 50 al 99.
LAn	Fr,dE,En,It,ES,PO, ,nL,SU,Pt,rO,dA, nO,Fi,Sh,CS,Hu		En	Elija el idioma que se muestra solo si el alimentador de alambre RC-JOB o P500 está conectado Francés (Fr) -alemán (DE) - inglés (en) -italiano (it) - español (ES) -Polish (PO) - holandés (nL) -Sueco (SU) -Portugués (Pt) - rumano (RO) - Danés (DA) - Noruego (NO) - Finlandés (Fi) -Slovak (Sh) - Checo (CS) - Húngaro (Hu)
PGM	no - yES		no	Activar/Desactivar el modo de gestión de programas
PGA	OFF - ;000 - 020 %	1 %	OFF	Se utiliza para la configuración del rango de ajuste disponible de los siguientes parámetros: velocidad del alambre, tensión del arco, dinámica del arco, ajuste del pulso fino. Utilice sólo cuando se activa la gestión de programas y los programas están bloqueados.
CAL	OFF - on		OFF	Calibración de la torcha y del cable a tierra
AdJ	Loc -- rC		Loc	Seleccione el ajuste Velocidad del cable y voltaje de arco: - Loc: Local en la fuente de poder - rC: control remoto o potenciómetro de antorcha
L	0 - 50	1 uH	14	Configuración/Pantalla del obturador del alambre
r	0 - 50	1 Ω	8	Configuración/Pantalla del resistor del alambre
SoF	no - yES		no	Modo de actualización de software.
FAC	no - yES		no	Restablece las configuraciones de fábrica. Presionar YeS hará que los parámetros predeterminados de fábrica se restauren cuando salga del menú SETUP.

Lista de parámetros de acceso en el menú CYCLE

Pantalla izquierda	Pantalla izquierda	Pantalla izquierda	Pantalla izquierda	Pantalla izquierda
tPt	00.5 - 10.0	0,1 s	0,5	Tiempo de punto. En el modo por puntos y en el modo manual, la configuración del arranque en caliente (Hot Start), la pendiente de descenso y del secuenciador no se pueden cambiar
PrG	00.0 - 10.0	0,1 s	0,5	Tiempo de pre-gas
tHS	OFF - 00.1 - 10.0	0,1 s	0,1	Tiempo de arranque en caliente (Hot Start)
IHS	-- 70 - 70	1 %	30	Corriente de arranque en caliente (velocidad del alambre). Corriente de soldadura X%
UHS	-- 70 - 70	1 %	0	Tensión de arranque en caliente Tensión de arco X% □
dYn	--10 + 10 --20 - 20	1 %	0	Ajuste de precisión en el arco corto
rFP	--10 + 10 --20 + 20	1 %	0	Ajuste de precisión en el pulso
dyA	00 - 100	1	50	Dinámica del golpe de arco en el electrodo
tSE	OFF - 0.01 - 2.50	0,01 s	OFF	Tiempo del secuenciador (secuenciador, sólo en el modo sinérgico)
ISE	--90 + 90	1 %	30	Nivel de corriente del secuenciador. Corriente de soldadura X% □
dSt	OFF - 00.1 - 05.0	0,1 s	OFF	Tiempo de la pendiente de descenso
DdSI	-- 70 - 00.0	1 %	-- 30	Corriente de la pendiente de descenso (velocidad del alambre). Corriente de soldadura X%
dSU	-- 70 - 70	1 %	0	Tensión de la pendiente de descenso. Tensión de arco X% □
Pr_	0.00 - 0.20	0,01 s	0,05	Tiempo de anti adhesión
PrS	Nno - yES		no	Activación del Pr-Spray
PoG	00.0 - 10.0	0,05 s	0,05	Tiempo de post-gas

NOTA: La DIGISTEEL III 320C / DIGIPULS III 320C permite bloquear el menú del programa. Esta función está disponible en la pantalla de programas con el código de parámetro. La clave de bloqueo introducida tiene que escribirse con el fin de desactivar el bloqueo de la función.

3.3.4. Selección de programa con el disparador

Esta función permite encadenar de 2 a 10 programas. Esta función está disponible en el modo de soldadura 4T solamente y tiene que activarse el modo de gestión de programas

Encadenado de programas:

La función de selección de programas trabaja con los programas del P50 al P99 de a diez.

⇒ P50→P59 ; P60→P69 ; P70→P79 ; P80→P89 ; P90→P99

Seleccione el primer programa con el que desea comenzar su cadena. A continuación, durante la soldadura, cada vez que acciona el disparador, el programa va a cambiar.

Para encadenar menos de diez programas, en el programa que sigue al final del ciclo deseado, ponga un parámetro diferente (como la sinergia o el ciclo de soldadura): SETUP → CPT → poner un valor del 1 al 100 → salir SETUP

Ejemplo: Crear una lista de programas del P50 al P55 (6 programas).

- 1) En el programa P56, ponga un ciclo de soldadura o sinergia diferente al del P55 con el fin de terminar la cadena
- 2) Seleccione el programa P50 (Primer programa para el inicio de la soldadura)
- 3) Comience a soldar
- 4) Cada vez que el disparador se pulsa, la fuente de alimentación va a cambiar de programa hasta el P55. Cuando se termina la cadena, la fuente de alimentación se reiniciará en el P50.

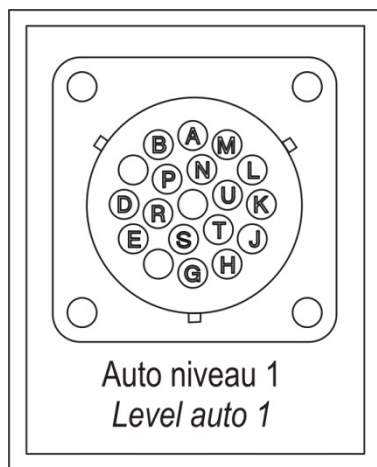
3.3.5. Automatización

a) Los **DIGIPULS III** pueden automatizarse de manera muy simple. Para ello, basta conectar la toma J2 suministrada en la cara trasera del puesto.

Las marcas de hilos son: NIVEAU N1

Salida de contacto Intensidad RI: contacto seco	<input type="text" value="K de J2"/>
Salida de contacto Intensidad común RI: contacto seco	<input type="text" value="L de J2"/>
Defecto	<input type="text" value="T de J2"/>
Común defecto	<input type="text" value="L de J2"/>
Entrada de gatillo (+): colocar sobre un contacto seco	<input type="text" value="U de J2"/>
Entrada de gatillo (-): colocar sobre un contacto seco	<input type="text" value="M de J2"/>

Para validar el cierre del contacto ir, debe imperativamente posicionarse « aut » en el submenú « automático » del setup en el valor dep el retardo al cierre del contacto se ajusta mediante el valor « dep » en el submenú « escalón » del setup.



Nota: Por defecto, la función seleccionada es el modo manual.

El tipo de utilización seleccionado aparece en el visualizador de la derecha.

SELECCIÓN DEL MODO AUTOMÁTICO CON PILOTAJE A DISTANCIA POR CONSIGNA ANALÓGICA

1. Poner el conmutador en la cara frontal del generador en « **SEt -UP** ».
2. Accionando el pulsador "OK", seleccionar la visualización « **Con FIG** ».
3. Posicionar el selector de la izquierda para obtener la visualización "**Aut**" a la izquierda.
4. Posicionar el selector de la derecha para obtener la visualización « **n1** » a la derecha.

4 - OPCIONES, ACCESORIOS

4.1 - DEVANADORA DVU P400, REF. W000275266



4.2 - DEVANADORA DVU P500, REF. W000275267



4.3 - UNIDAD DE REFRIGERACION, REF.W000273516



4.4 - MANDO A DISTANCIA RC JOB, Réf. W000273134**4.5 - MANDO A DISTANCIA 2 POTENCIOMETROS, Réf. W000275904**

Funciones del control remoto:

Ajusta la velocidad del alambre durante y fuera del proceso de soldadura

Ajusta la tensión del arco durante y fuera del proceso de soldadura

4.6 - DUST FILTER, Réf. W000373703**4.7 - CARRITO UNIVERSEL, Réf. W000383000**

Permite mover fácilmente la fuente de alimentación en un taller.

4.8 - OPCIÓN CARRITO CHANTIER, Réf. W000372274**4.9 - OPCIÓN SECURITE DE DEBIT, Réf. W000376539****4.10 - OPCIÓN PUSH PULL, Réf. W000275907****4.11 - MEDIDOR DE FLUJO OPCIONAL, Réf. W000376539**

5 - HACES ET TORCHA

5.1. HACES

Hace AIRE 2 M – 70 MM ²	réf. W000275894
Hace AIRE 5 M – 70 MM ²	réf. W000275895
Hace AIRE 10 M – 70 MM ²	réf. W000275896
Hace AIRE 15 M – 70 MM ²	réf. W000275897
Hace AIRE 25 M – 70 MM ² (sur cde)	réf. W000276901
Hace AIRE 30 M – 70 MM ² (sur cde)	réf. W000371246
Hace AIRE 40 M – 70 MM ² (sur cde)	réf. W000371245
Hace AIRE 50 M – 70 MM ² (sur cde)	réf. W000371244

Hace AGUA 2 M – 95 MM ²	réf. W000275898
Hace AGUA 5 M – 95 MM ²	réf. W000275899
Hace AGUA 10 M – 95 MM ²	réf. W000275900
Hace AGUA 15 M – 95 MM ²	réf. W000275901
Hace AGUA 25 M – 95 MM ² (sur cde)	réf. W000276902
Hace AGUA 50 M – 95 MM ²	Nous consulter

Hace AGUA ALU 2 M – 95 MM ²	réf. W000371044
Hace AGUA ALU 5 M – 95 MM ²	réf. W000371045
Hace AGUA ALU 10 M – 95 MM ²	réf. W000371175
Hace AGUA ALU 15 M – 95 MM ²	réf. W000371174
Hace AGUA ALU 25 M – 95 MM ²	réf. W000371239

5.2. TORCHA

PROMIG NG 341 - 3 M	réf. W000345066
PROMIG NG 341 - 4 M	réf. W000345067
PROMIG NG 341 - 5 M	réf. W000345068

PROMIG NG 341 W - 3 M	réf. W000345069
PROMIG NG 341 W - 4 M	réf. W000345070
PROMIG NG 341 W - 5 M	réf. W000345071

PROMIG NG 441 - 3 M	réf. W000345072
PROMIG NG 441 - 4 M	réf. W000345073
PROMIG NG 441 - 5 M	réf. W000345074

PROMIG NG 441W - 3 M	réf. W000345075
PROMIG NG 441W - 4 M	réf. W000345076
PROMIG NG 441W - 5 M	réf. W000345077

PROMIG NG 450W - 3 M	réf. W000274865
PROMIG NG 450W - 4 M	réf. W000274866
PROMIG NG 450W - 5 M	réf. W000274867

5.3. TORCHA PUSH PULL

PROMIG PP 341 8M	réf. W000385860
PROMIG PP 441W 8M	réf. W000385862
PROMIG PP 341 8M AVEC POTENCIOMETRO	réf. W000385861
PROMIG PP 441W 8M AVEC POTENCIOMETRO	réf. W000385863

5.4. TORCHA A POTENCIOMETRO

DIGITORCH P 341 - 4M	réf. W000345014
DIGITORCH P 341W - 4M	réf. W000345016
DIGITORCH P 441W - 4M	réf. W000345018

Ademas de las funciones de una antorcha estandar, puede:ajustar la velocidad del alambre y longitud de arco y fuera de la soldadura.

6 - MANTENIMIENTO

6.1. GENERAL

Dos veces al año, de acuerdo al uso del dispositivo, inspeccione lo siguiente:

- ⇒ Limpieza de la fuente de alimentación
- ⇒ Conexiones eléctricas y de gas

ADVERTENCIA:

Nunca se debe efectuar la limpieza o reparación en el dispositivo antes de asegurarse de que la unidad se ha desconectado completamente de la red eléctrica.

Desmonte los paneles del generador y aspire para eliminar las partículas de polvo y de metal acumuladas entre los circuitos magnéticos y el bobinado del transformador.

El trabajo se debe realizar con una punta de plástico para evitar daños en el aislamiento del bobinado.

En cada puesta en marcha de la unidad para soldar y antes de llamar la atención al cliente para el servicio técnico, compruebe que:

- ⇒ Las terminales eléctricas no están mal ajustadas.
- ⇒ La tensión de red seleccionada es correcta.
- ⇒ Hay flujo de gas adecuado.
- ⇒ Tipo y diámetro del alambre. Condición de la torcha



DOS VECES AL AÑO:

- ⇒ Realice la calibración de la configuración de corriente y tensión.
- ⇒ Verifique las conexiones eléctricas de los circuitos de potencia, control y suministro de energía.
- ⇒ Verifique el estado del aislamiento, cables, conexiones y tuberías



6.2. RODILLOS Y GUÍA DEL ALAMBRE

En condiciones normales de uso, estos accesorios tienen una larga vida útil antes de que sea necesario su reemplazo.

A veces, sin embargo, después de ser utilizado durante un período de tiempo, puede observarse un desgaste excesivo u obstrucción debido a los depósitos que se adhieren. Para minimizar estos efectos nocivos, asegúrese de que la placa del alimentador de alambre se mantiene limpia. La unidad de reducción del motor no requiere mantenimiento.

6.3. TORCHA

Verifique regularmente el ajuste correcto de las conexiones del suministro de la corriente de soldadura. Las tensiones mecánicas relacionadas a los impactos térmicos tienden a aflojar algunas partes de la torcha, particularmente:

- ⇒ El tubo de contacto
- ⇒ El cable coaxial
- ⇒ La boquilla para soldar
- ⇒ El acoplamiento rápido

Compruebe que la junta de la espiga de entrada de gas está en buenas condiciones. Retire las salpicaduras entre el tubo de contacto y la boquilla y entre la boquilla y la manga. Las salpicaduras son más fáciles de quitar si el procedimiento se repite a intervalos cortos. No utilice herramientas muy duras que puedan rayar la superficie de estas partes y hacer que las salpicaduras se adhieran más a ella.

- ⇒ SPRAYMIG SIB, W000011093
- ⇒ SPRAYMIG H20, W000010001

Sople el revestimiento después de cada cambio de carrete de alambre. Lleve a cabo este procedimiento desde el lado de la clavija del conector del acoplamiento rápido de la torcha.

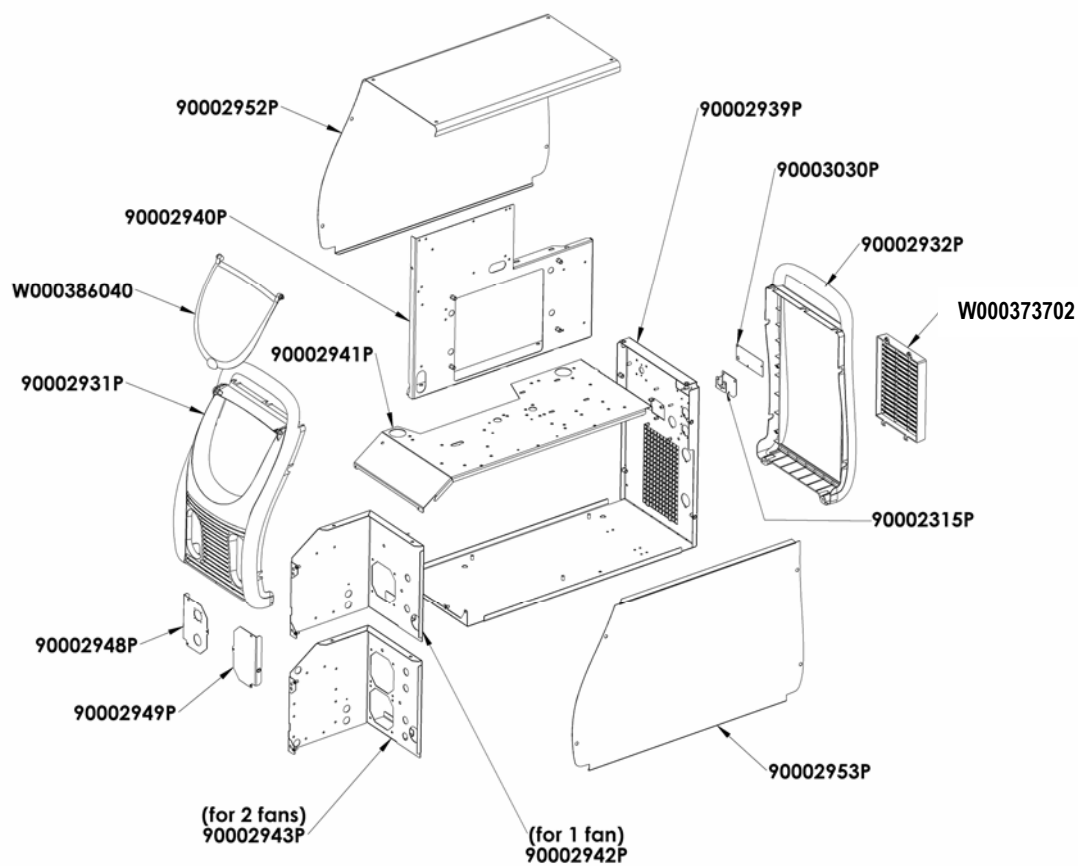
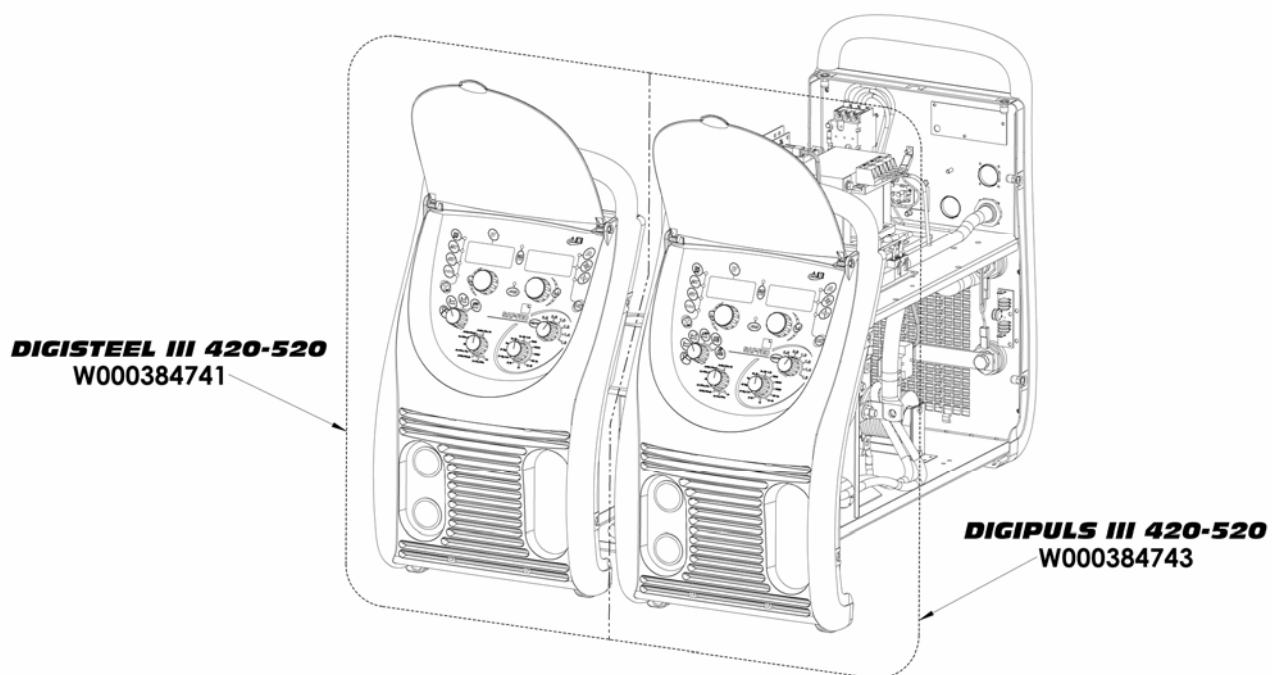
Si es necesario, vuelva a colocar la guía de entrada de alambre de la torcha.

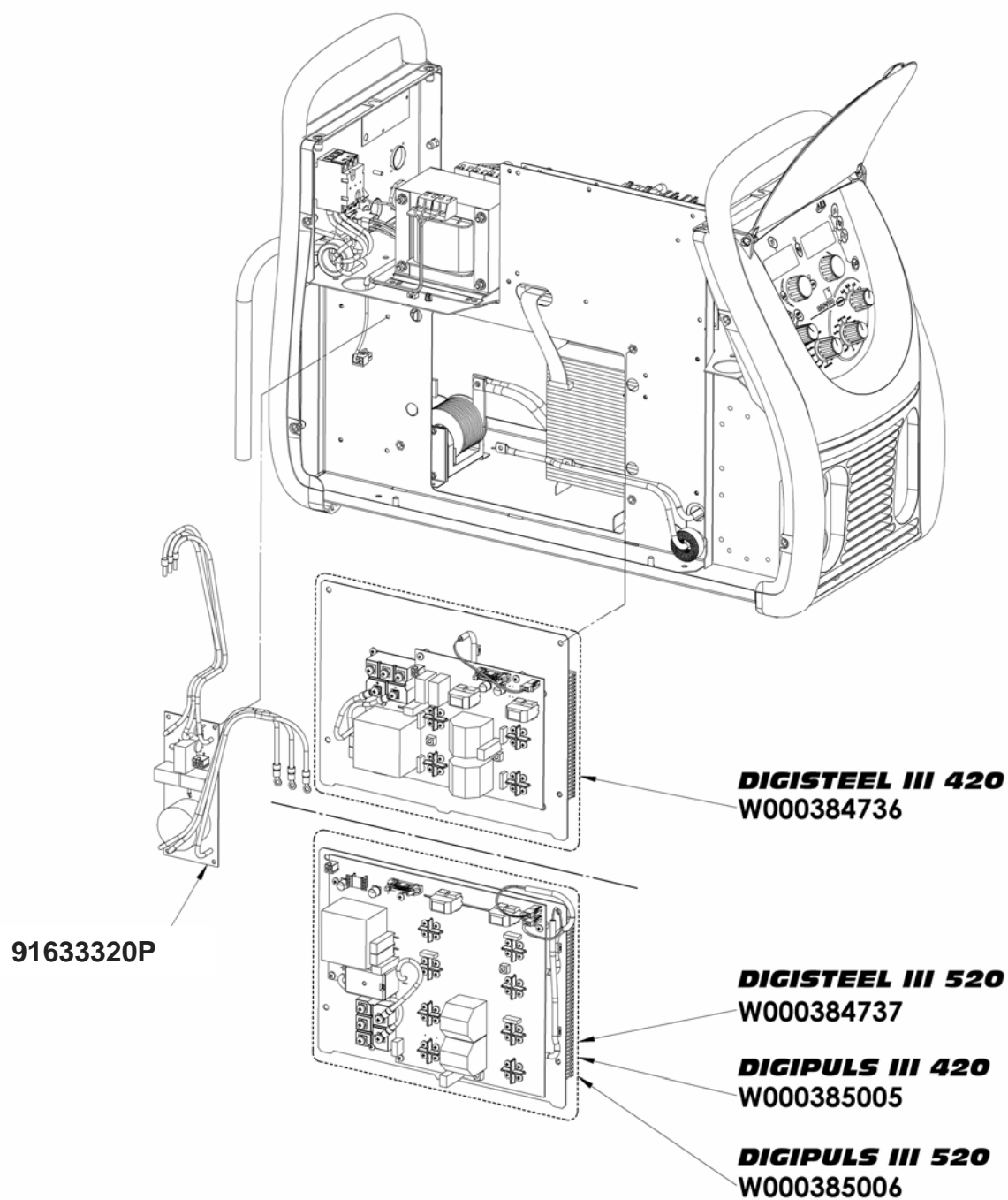
Un severo desgaste de la guía de alambre puede causar fugas de gas hacia la parte posterior de la torcha.

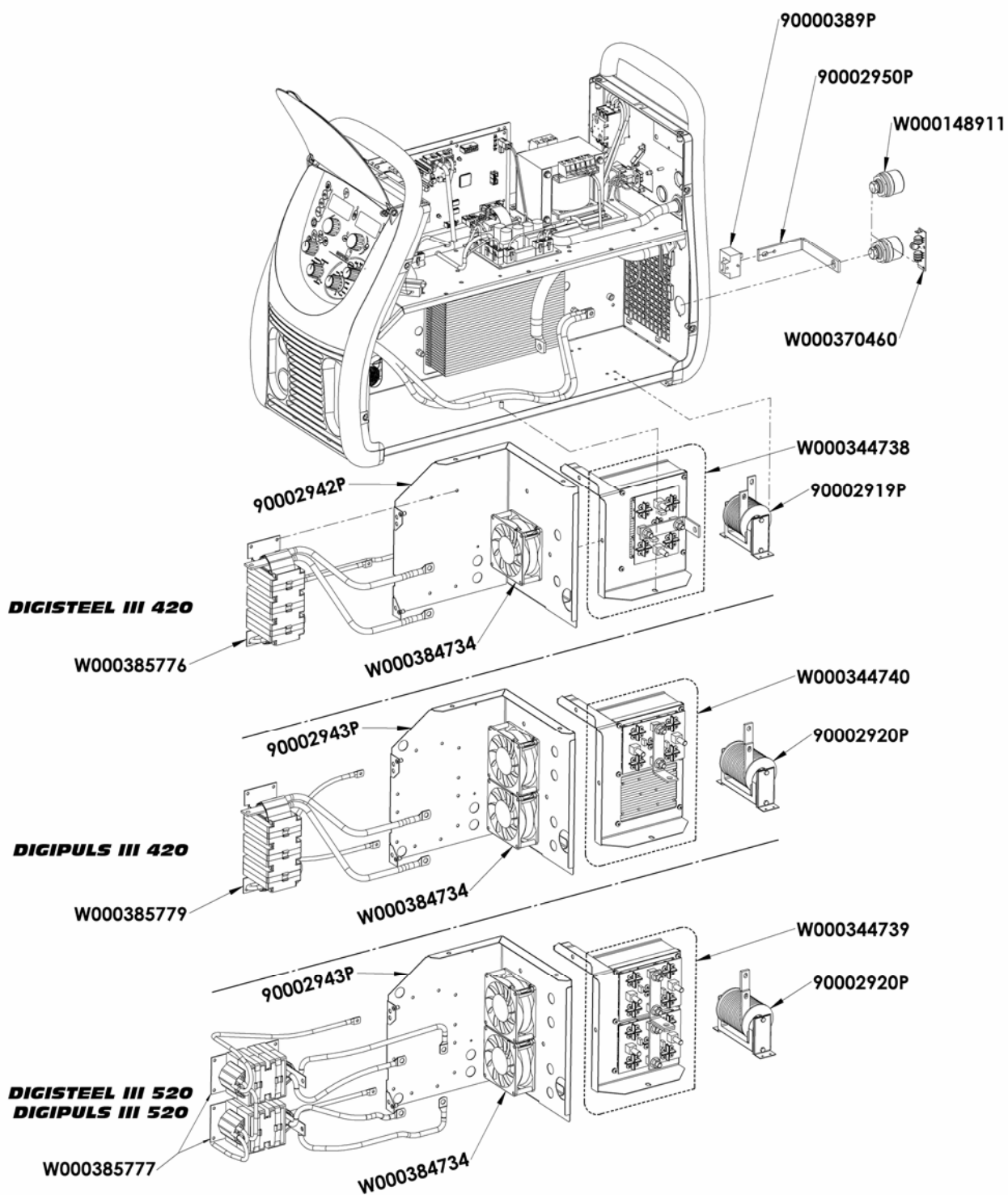
Los tubos de contacto están diseñados para un uso prolongado. Sin embargo, el paso del alambre les causa desgaste, lo cual agranda el orificio más allá de las tolerancias permisibles para que se produzca un buen contacto entre el tubo y el alambre. La necesidad de reemplazarlos se hace evidente cuando el proceso de transferencia de metal se vuelve inestable, por lo demás, todas las configuraciones de los parámetros de trabajo quedan normales.

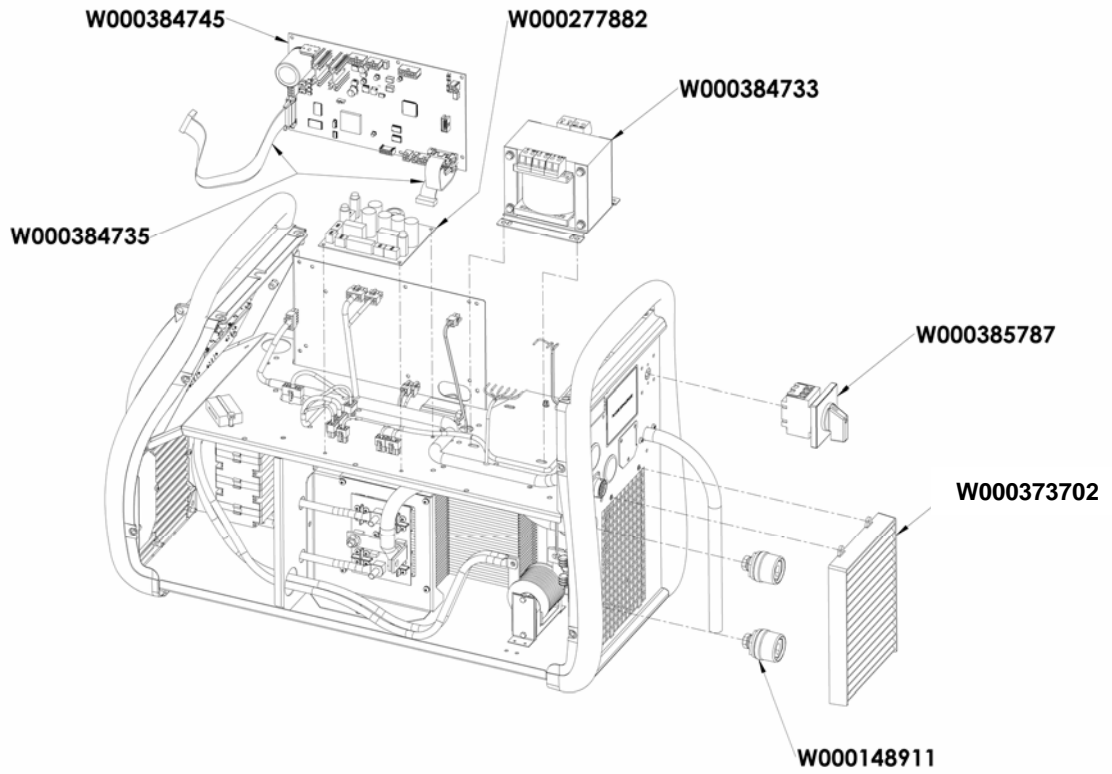
6.4. REPUESTOS, COMPONENTES

Carcasa



Vista interna e inversor:





6.5. PROCEDIMIENTO DE SOLUCIÓN DE PROBLEMAS

El servicio de reparación y mantenimiento del equipo eléctrico debe ser realizado por personal cualificado.

CAUSAS	SOLUCIONES
EL GENERADOR ESTÁ ENCENDIDO MIENTRAS EL PANEL DELANTERO ESTÁ APAGADO	
Suministro eléctrico	Verifique el suministro de la red eléctrica (para cada fase)
PANTALLA CON EL MENSAJE E01 ond	
Se ha excedido el máximo de corriente de golpe de la fuente de alimentación	Pulse el botón OK para eliminar la falla. Si el problema persiste, llame al servicio de atención al cliente
PANTALLA CON EL MENSAJE E02 inu	
Mal reconocimiento de la fuente de alimentación (Sólo en el arranque). Connectique interne en défaut	Asegúrese de que el cable plano entre la placa principal del inversor y de la placa de ciclo está conectado correctamente.
PANTALLA CON EL MENSAJE E07 400	
Voltaje de la red principal es incorrecto	Verificar que el voltaje de la red principal está entre 360V y 440V. Si no es así, hacer controlar su sistema eléctrico
PANTALLA CON EL MENSAJE E24 SE_n	
Falla en el sensor de temperatura	Asegúrese de que el conector B9 está correctamente conectado a la placa de ciclo (si no, no se realiza la medición de la temperatura) El sensor de temperatura está fuera de servicio. Llame al servicio de atención al cliente
PANTALLA CON EL MENSAJE E25°C	
Sobrecalentamiento fuente de alimentación	Deje que el generador se enfríe La falla desaparece por sí sola después de varios minutos
Ventilación	Asegúrese de que el ventilador del inversor está funcionando.
PANTALLA CON EL MENSAJE E33 MEM-LIM Este mensaje indica que la memoria ya no es operativa	
Mal funcionamiento durante la grabación de la memoria	Llame al servicio de atención al cliente
PANTALLA CON EL MENSAJE E34 CFG	
Selección de parámetro incoherente. Ex : mode 4T en auto N1	Aplique una selección coherente.
PANTALLA CON EL MENSAJE E43 brd	
Tarjeta electrónica en default	El servicio al cliente de llamada
PANTALLA CON EL MENSAJE E50 H2o	
Falla en la unidad de refrigeración	Asegúrese de que la unidad de refrigeración está bien enchufada. Verifique la unidad de refrigeración (transformador, bomba de agua, ...) Si no se utiliza ninguna unidad de refrigeración, desactive el parámetro en el Menú SETUP.
PANTALLA CON EL MENSAJE E63 IMO	
Problema mecánico	El rodillo de presión está demasiado apretado. La manguera de alimentación de alambre está obstruida con suciedad. El bloqueo del eje del carrete de alimentación de alambre está demasiado apretado.
PANTALLA CON EL MENSAJE E65-Mot	
Conectores defectuosos	Verifique la conexión del cable plano del codificador al motor del alimentador de alambre.
Problema mecánico	Asegúrese de que el conjunto alimentador de alambre no está bloqueado.
Suministro eléctrico	Verifique la conexión de la fuente de alimentación del motor. Verifique F2 (6A) en la placa de potencia auxiliar.
PANTALLA CON EL MENSAJE E71 -DIA-MET-GAS	
Selector HMI PROCESS-DIAMETER-METAL-GAS en defecto	Gire el selector para desbloquear, después de que siempre en defecto
PANTALLA CON EL MENSAJE StE PUL	
El reconocimiento falla del onduleur	El servicio al cliente de llamada
PANTALLA CON EL MENSAJE I-A-MAXX	
Se ha alcanzado la corriente máxima de la fuente de alimentación	Disminuya la velocidad del alambre o la tensión de arco

PANTALLA CON EL MENSAJE bPX-on

Mensaje que indica que el botón OK o el botón CANCEL se mantienen presionados en momentos inesperados

Pulsar el botón para desbloquear, después de llamar al servicio de atención al cliente si siempre está por defecto

PANTALLA CON EL MENSAJE SPEXXX

La alimentación del alambre siempre se activa involuntariamente

Compruebe que el botón de alimentación del alambre no está bloqueado
Compruebe la conexión de este botón y de la tarjeta electrónica

PANTALLA CON EL MENSAJE LOA DPC

El software UPDATE por PC se activa involuntariamente

Detenga e inicie la fuente de alimentación, después de llamar al servicio de atención al cliente, defecto

PANTALLA CON EL MENSAJE DISPARADOR

Este mensaje se genera cuando el gatillo se presiona en un momento y provoca accidentalmente el inicio de un ciclo.

El gatillo se presionó antes de que el generador se encienda o durante un reinicio debido a una falla.

EL GENERADOR FUNCIONANDO/SIN ALIMENTACIÓN DE ALAMBRE NI CONTROL DE GAS

Conexiones del arnés

Verifique la conexión del acoplamiento incorporado del arnés en la parte trasera del equipo para soldadura y en el alimentador de alambre.
Verifique el estado de los contactos

**SIN ENERGÍA PARA SOLDAR
SIN MENSAJE DE ERROR**

Cable eléctrico sin conectar
Falla en la fuente de alimentación

Verifique la conexión del cable de masa et de la torche
En el modo de electrodo revestido, verifique el voltaje entre los terminales de soldadura en la parte avant del generador. Si no hay tensión, llame a atención al cliente.

CALIDAD DE SOLDADURA

Calibración incorrecta
Cambio de torcha o cable a tierra o pieza de trabajo

Verifique el parámetro de ajuste fino (RFP = 0)
Realice una recalibración. (Verifique el contacto eléctrico en el circuito de soldadura).

Soldadura inestable o fluctuante

Asegúrese de que la secuencia no está activada. Verifique el Hot Start y la pendiente descendente.

Soldadura inestable o fluctuante

Seleccione el modo manual. La limitación es impuesta por las normas de compatibilidad de sinergia.

Rango limitado de valores de ajuste

Si utiliza RC JOB, asegúrese de que no haya activado la limitación de configuración que funciona con contraseña

Suministro eléctrico malo de la fuente de alimentación

Verifique la conexión correcta de las tres fases de alimentación.

OTROS

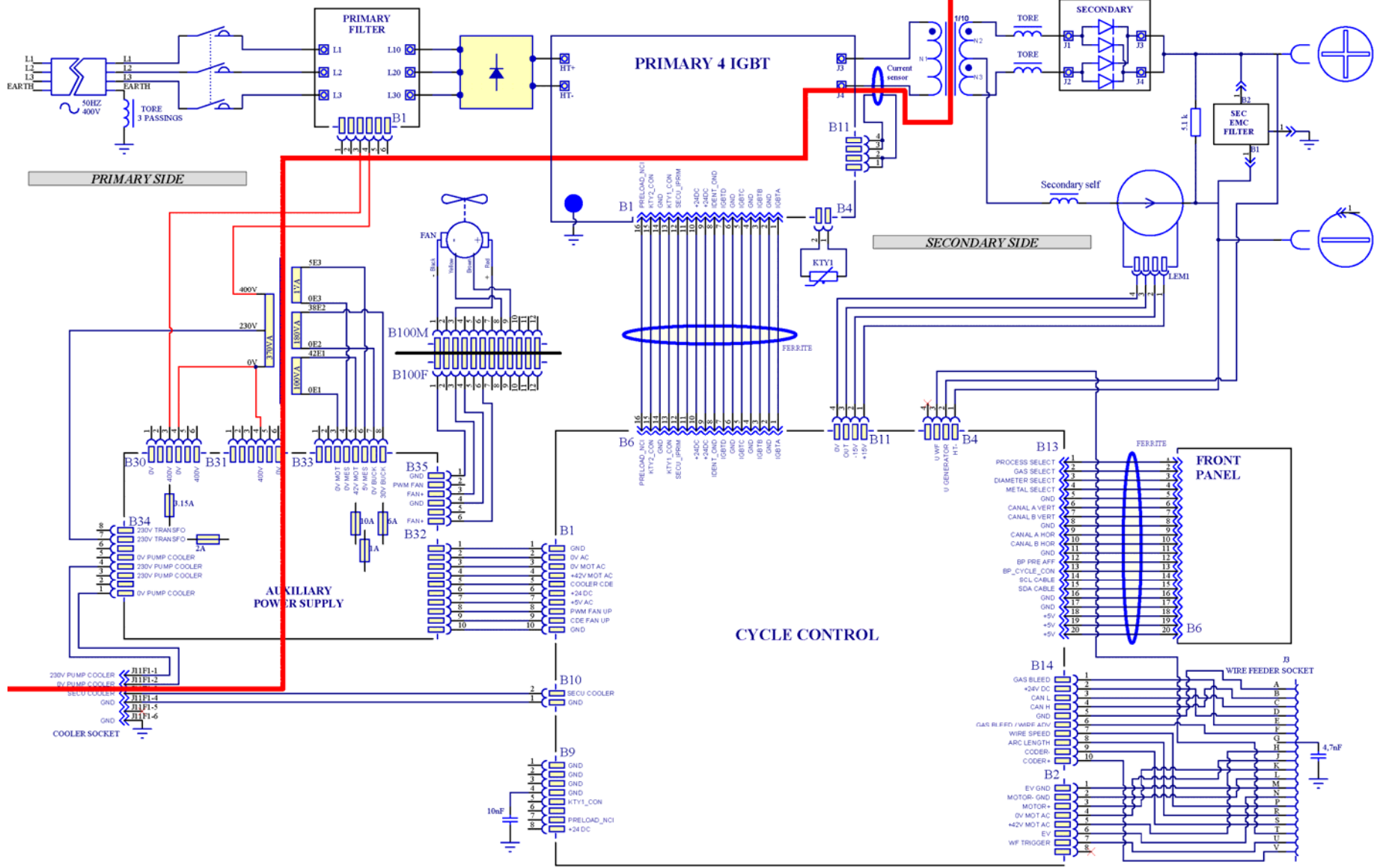
Alambre pegado en el baño de fusión o en el tubo de contacto
Mensaje triG en pantalla cuando se enciende el suministro eléctrico.

Optimize los parámetros de extinción de arco: PR spray y retracción posterior
El mensaje triG se visualiza si el disparador se activa antes de encender el equipo para soldar.

Si el problema persiste, es posible restablecer los parámetros a los valores predeterminados de fábrica. Para este fin, con la unidad para soldar desactivada, seleccione la posición SETUP en el selector del panel delantero, pulse el botón OK y manténgalo pulsado mientras se enciende el generador. CONSIDERE

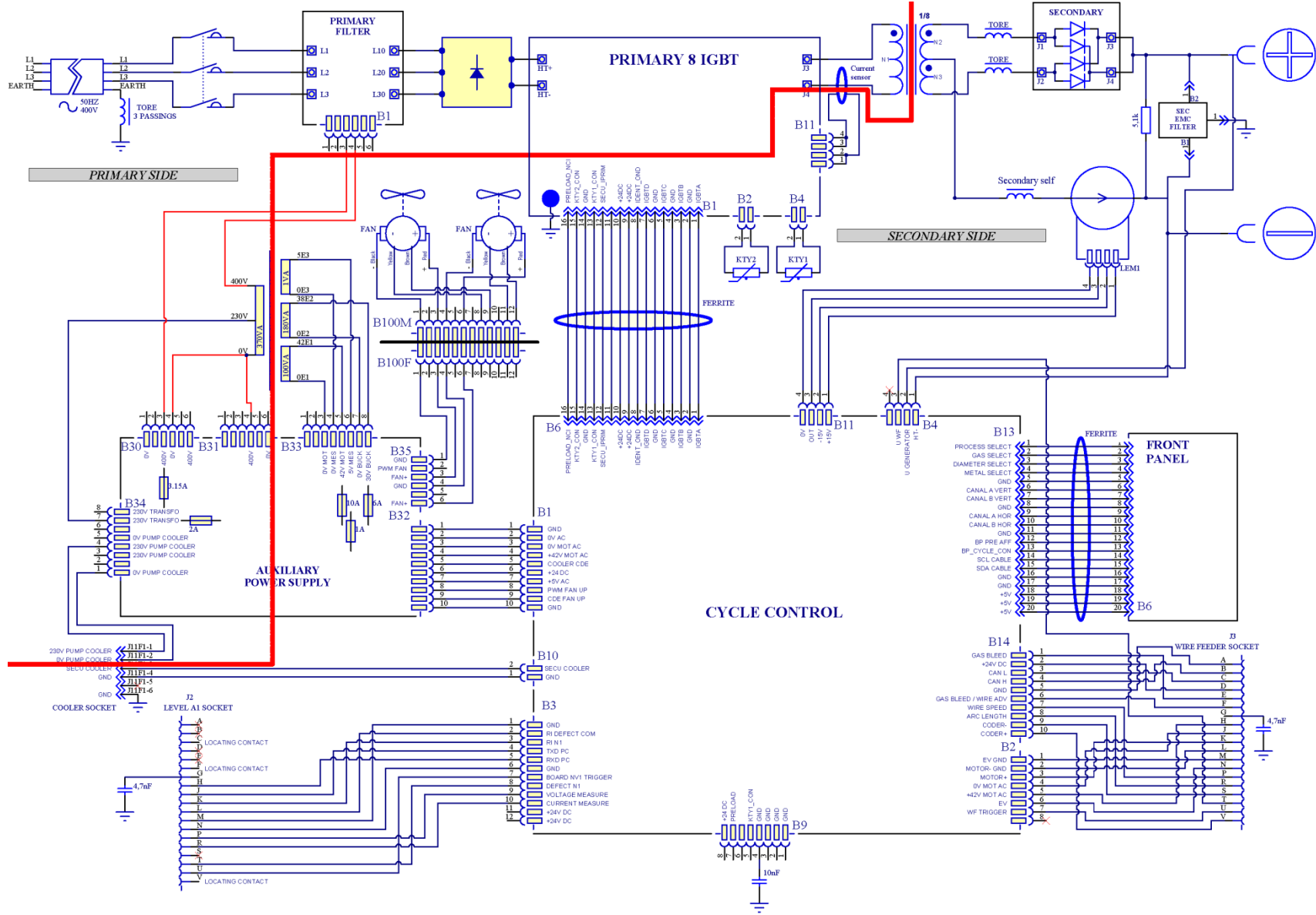
Considere la posibilidad de grabar sus parámetros de trabajo en primer lugar, ya que esta operación borrará todos los programas guardados en la memoria. Si RESTABLECER los valores de fábrica no resuelve el problema, llame al servicio de atención al cliente.

6.6. SCHEMA ELECTRIQUE



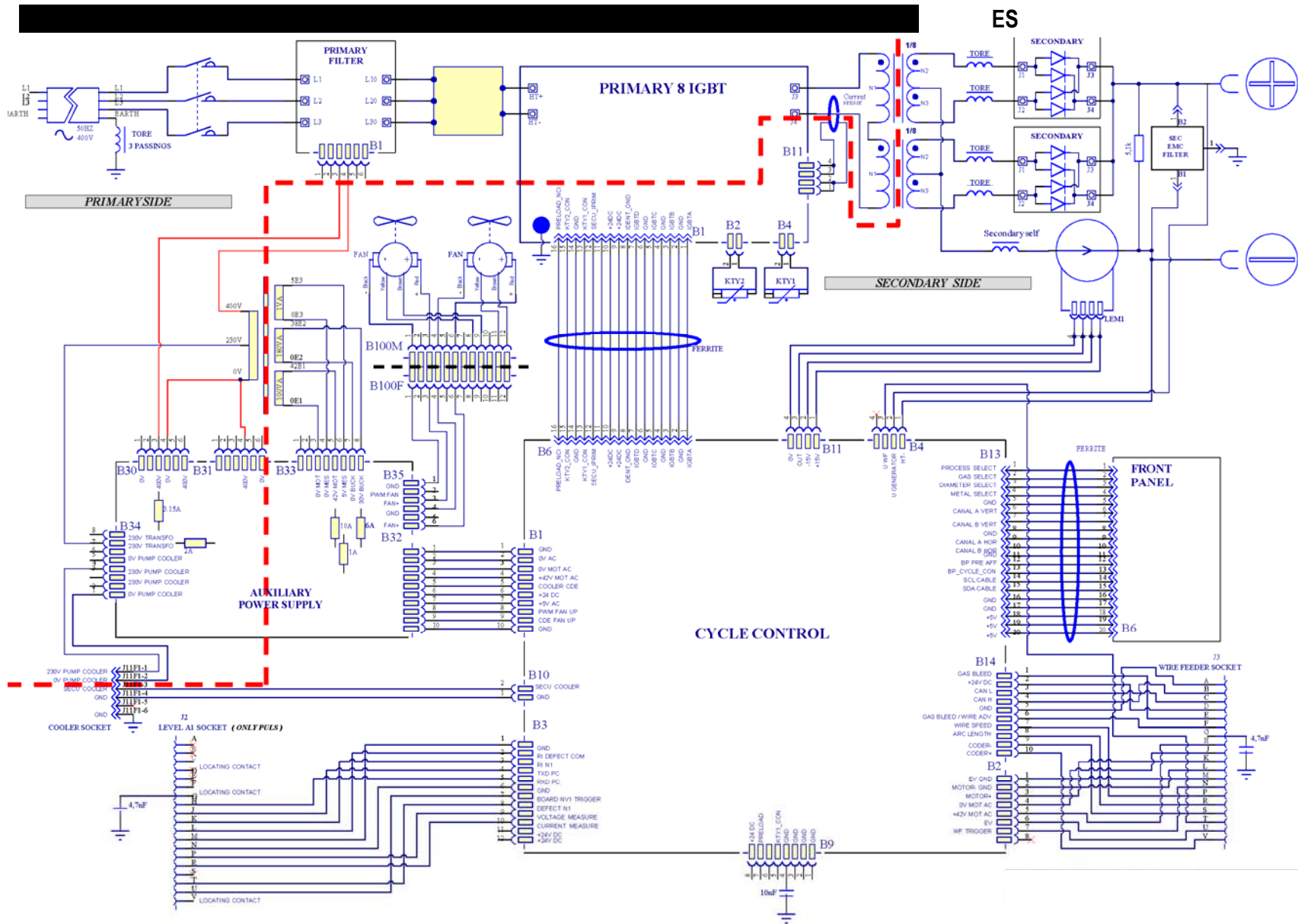
ES

DIGISTEEL III 420A



DIGIPULS III 420A

DIGISTEEL III / DIGIPULS III 420-520



DIGISTEEL III - DIGIPULS III 520A

7 - ANEXOS

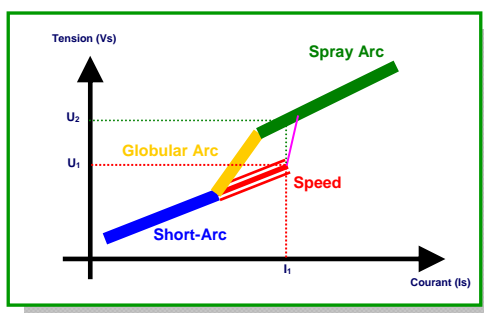
7.1. PRESENTACIÓN DE LOS PROCESOS DE SOLDADURA

Para carbono y aceros inoxidable, DIGISTEEL III 420-520 / DIGIPULS III 420-520 usa 3 tipos de arco corto:

- + Arco corto "suave" o "ligero"
- + Arco corto "dinámico" o « SSA ».
- + Le short arc HPS

El proceso MIG pulsado puede utilizarse en todo tipo de metales (acero, acero inoxidable y aluminio) con alambres sólidos y algunos alambres tubulares. Es especialmente adecuado para el acero inoxidable y el aluminio, para lo cual es el proceso ideal, ya que elimina las salpicaduras y logra una excelente fusión del alambre..

- + Características del arco de la fuente de alimentación



Arco corto "suave" o "ligero" (SA) 

El arco corto "suave" logra **gran reducción de las salpicaduras** de la soldadura de aceros al carbono, lo que resulta en una reducción muy significativa en los costos de acabado.

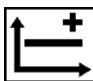
Se mejora la apariencia del cordón de soldadura gracias a la mejora de la humectación del baño de fusión.

El arco corto "suave" es adecuado para soldar en todas las posiciones. Un aumento en la velocidad de la alimentación del alambre permite entrar en el modo de arco por pulverización sin impedir la transición a modo globular.

Forma de la onda de un arco corto



Nota: El arco corto "suave" es un poco más energético que el arco corto "de velocidad". En consecuencia, el arco corto "de velocidad" puede preferirse al arco corto "suave" para la soldadura de láminas muy delgadas (≤ 1 mm) o para pasadas de penetración de soldadura.

Arco corto "dinámico" o "arco corto de velocidad" (SSA) 

El arco corto de velocidad o SSA permite una mayor versatilidad en la soldadura de aceros al carbono e inoxidables y absorbe las fluctuaciones en los movimientos de la mano del soldador, por ejemplo cuando se suelda en una posición difícil. También ayuda a compensar las diferencias en la preparación de las piezas de trabajo.

Al aumentar la velocidad de alimentación del alambre, el modo SA entra perfectamente en el modo SSA, evitando al mismo tiempo el modo globular.

Gracias a su control de arco rápido y al uso de una programación adecuada, le DIGISTEEL III 420-520 / DIGIPULS III 420-520 puede extender artificialmente el rango de arco corto a corrientes más altas, en el rango de **arco corto de velocidad**.

Forma de la onda de un arco corto de velocidad



Al eliminar el modo de arco "globular", que se caracteriza por las salpicaduras pesadas y pegajosas, y mayor energía que el arco corto, el arco corto de velocidad permite:

- ⇒ Reducir la cantidad de distorsión a altas corrientes de soldadura en el rango típico de soldadura "globular"
- ⇒ Reducir la cantidad de salpicaduras en comparación con el modo globular
- ⇒ Lograr una buena apariencia de la soldadura
- ⇒ Reducir las emisiones de humo en comparación con los modos habituales (hasta 25% menos)
- ⇒ Lograr una buena penetración redondeada
- ⇒ Habilitar la soldadura en todas las posiciones

Nota: Los programas de CO₂ de forma automática y exclusiva usan el arco corto "suave" y no permiten el acceso al arco corto de velocidad. El arco corto "dinámico" no es adecuado para la soldadura de CO₂ debido a la inestabilidad del arco.



HPS - Alta velocidad de penetración

HPS es un proceso de soldadura diseñado por LE que ombla las ventajas del arco largo por pulverización y los modos de arco corto.

A medida que la tensión de soldadura es menor que el modo clásico de arco largo por pulverización, la energía de soldadura es menor y los materiales de soldadura menos limitados. Administrado por una regulación digital bien adaptada. HPS propone las siguientes ventajas:

- + Contar con un arco muy manejable a pesar del modo de alta soldadura utilizado
- + Tener una varilla más larga que permite soldar en la parte inferior del bisel, en el momento del arco de preparación
- + Aumentar la penetración y reducir o eliminar el borde biselado
- + Aumentar la productividad al tiempo se limita las preparaciones y aumentar la velocidad de alimentación del metal de aporte
- + Eliminar el efecto de socavamiento del material base

Para obtener más información, solicite el folleto de HPS a su contacto en el tema de soldaduras.



Proceso MIG pulsado NORMAL

La transferencia de metal en el arco tiene lugar por el desprendimiento de gotas causadas por pulsos de corriente. El microprocesador calcula todos los parámetros del proceso MIG pulsado para cada velocidad de alambre, para asegurar una soldadura superior y resultados sorprendentes.

Las ventajas del proceso mig pulsado son:

- + Distorsiones reducidas a altas corrientes de soldadura en la habitual soldadura "globular" y los rangos de arco corto por pulverización
- + Permite todas las posiciones de soldadura
- + Excelente fusión del acero inoxidable y los alambres de aluminio
- + Eliminación casi completa de las salpicaduras y por lo tanto también de los trabajos de acabado
- + Buena apariencia del cordón
- + Emisiones de humo reducido en comparación con los métodos tradicionales e incluso de arco corto de velocidad (hasta un 50% menos);

Los programas pulsados de **DIGIPULS III 420-520** para el acero inoxidable eliminan las pequeñas salpicaduras que pueden ocurrir en láminas finas a muy baja velocidad de alimentación de alambre. Estas "bolitas" son causadas por una ligera pulverización del metal en el momento del desprendimiento de la gota. El alcance de este fenómeno depende del tipo y el origen de los alambres.

Estos programas para el acero inoxidable han sido objeto de mejoras para el funcionamiento a bajas corrientes y el aumento de la flexibilidad de uso para la soldadura de chapa fina, por medio del método MIG pulsado.

se obtienen excelentes resultados para la soldadura de chapas finas de acero inoxidable (1 mm) utilizando el método mig pulsado con alambre de \varnothing 1 mm en escudo de M12 o M11 (el promedio 30a es aceptable).

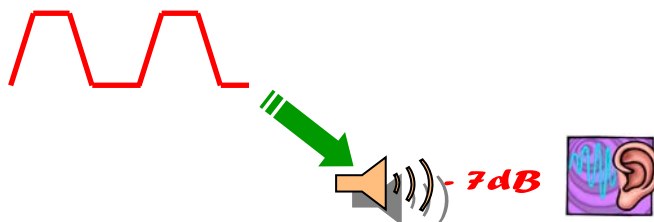
La aparición de uniones procesadas utilizando **DIGIPULS III 420-520** es de una calidad comparable a la conseguida por la soldadura TIG



El Mig Pulsado de bajo ruido o Soft Silencio Pulsado (SSP)

Propuesto para los \varnothing 1 y 1,2 mm de acero o de acero inoxidable, estas nuevas sinergias de pulsado permiten:

- + una reducción notable del ruido de arco
- + un arco más suave, más energético, con un mayor esparcimiento
- + un baño más caliente, por tanto un cordón bien mojado



Nota: el pulsado de bajo ruido permite soldar en un entorno más agradable. este lleva más energía al baño, por consiguiente puede utilizarse con mayor facilidad en plano, pero es menos manipulable para la soldadura en posición.

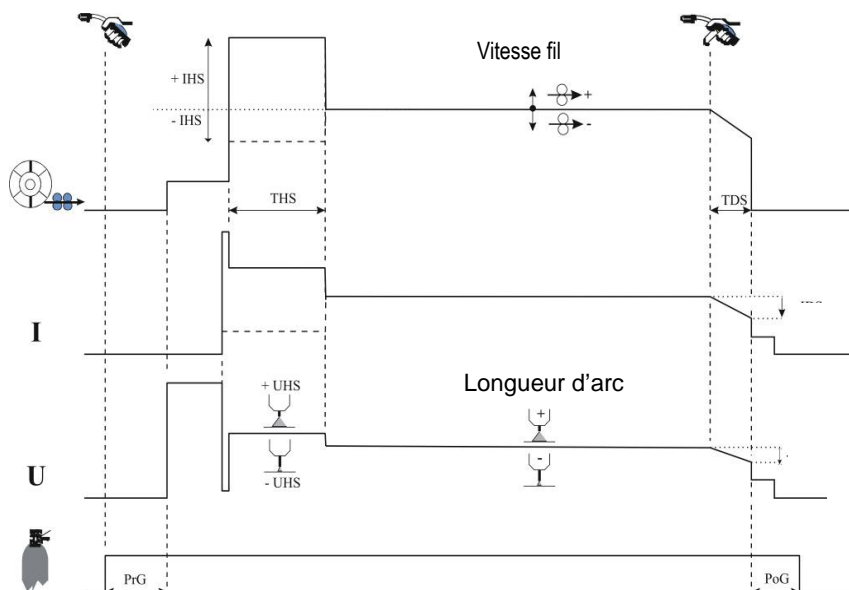
7.2. CICLO DE SOLDADURA AVANZADA

Ciclo de 2 pasos

Al pulsar el disparador se activa la alimentación del alambre y el tiempo de pre-gas y se enciende la corriente para soldar. Al soltar el disparador hace que la soldadura se detenga.

El ciclo de Hot Start se valida por medio del parámetro **tHS≠OFF** en el submenú general Ciclo (Cycle) de SETUP. Permite iniciar la soldadura con un pico de corriente que facilita el golpe.

La pendiente de descenso permite que un acabado de cordón de soldadura con una disminución del nivel de la soldadura.



Ciclo de 4 pasos

Al apretar el disparador (gatillo) por primera vez, activa la etapa de pre-gas, lo cual será seguido del arranque en caliente (Hot Start). Al soltar el disparador comienza la soldadura.

Si el HOT START no está activado, la soldadura se iniciará inmediatamente después de la etapa de pre-gas. En tal caso, soltar el disparador (segundo paso) no tendrá ningún efecto y el ciclo de soldadura va a continuar.

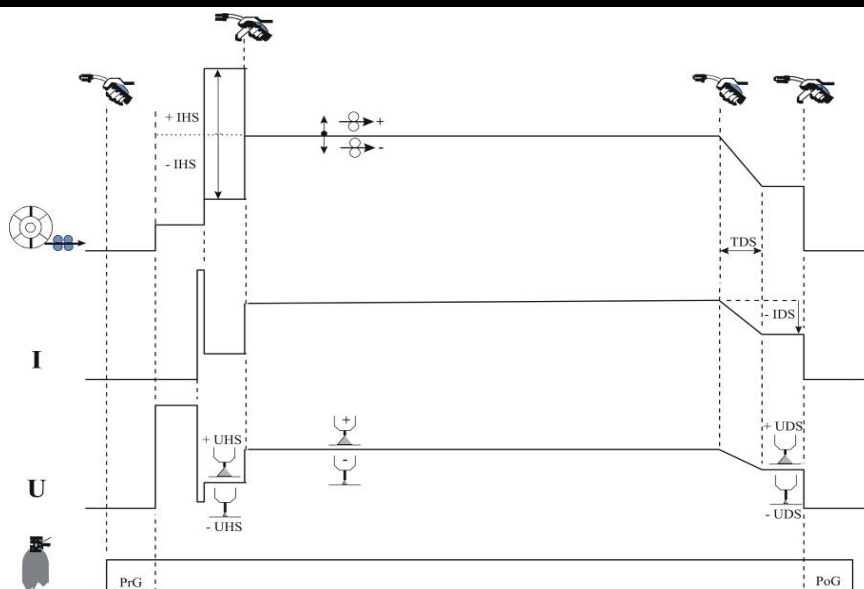
Al pulsar el disparador en la fase de soldadura (tercer paso) permite el control de la duración de las funciones de pendiente de descenso y del tiempo anticráter, de acuerdo con el retardo de tiempo preprogramado.

Si no hay pendiente de descenso, al soltar el disparador se cambiará inmediatamente a la etapa de post-gas (según lo programado en el SETUP).

En el modo de 4 pasos (4T), al soltar el disparador se detiene la función anti-cráter Si está HABILITADA la pendiente de descenso.

Si está DESHABILITADA la pendiente de descenso, soltar el disparador detendrá el POST-GAS.

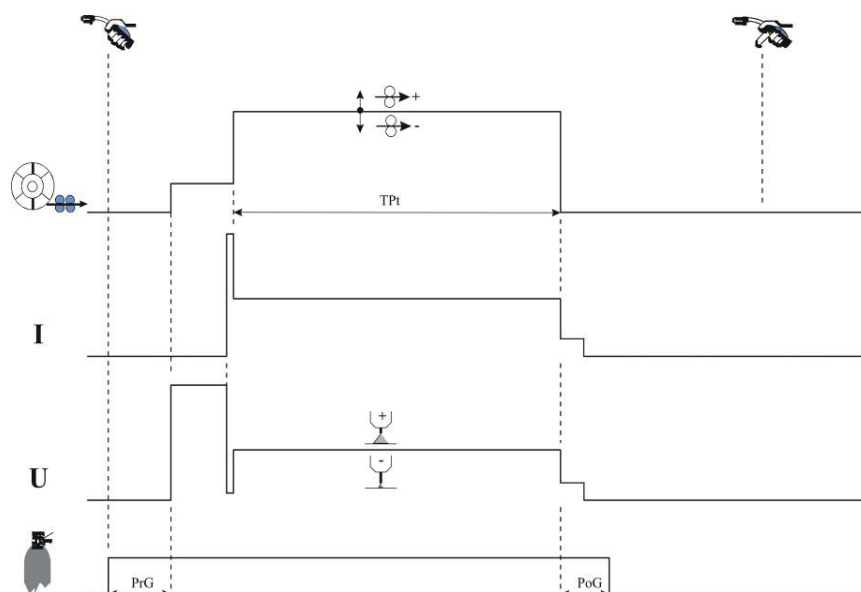
Las funciones Hot Start y de pendiente de descenso no están disponibles en el modo manual.



Ciclo por puntos

Al pulsar el disparador se activa la alimentación del alambre, la etapa de pre-gas y se enciende la corriente para soldar. Al soltar el disparador hace que la soldadura se detenga.

El ajuste de las configuraciones de Hot Start, de pendiente de descenso y del secuenciador está desactivado. Al final del tiempo de retardo por puntos, se detiene la soldadura.



Ciclo del secuenciador

El secuenciador es validado por el parámetro "**tSE≠OFF**" en el submenú específico de ciclo de SETUP.

Para acceder a él:

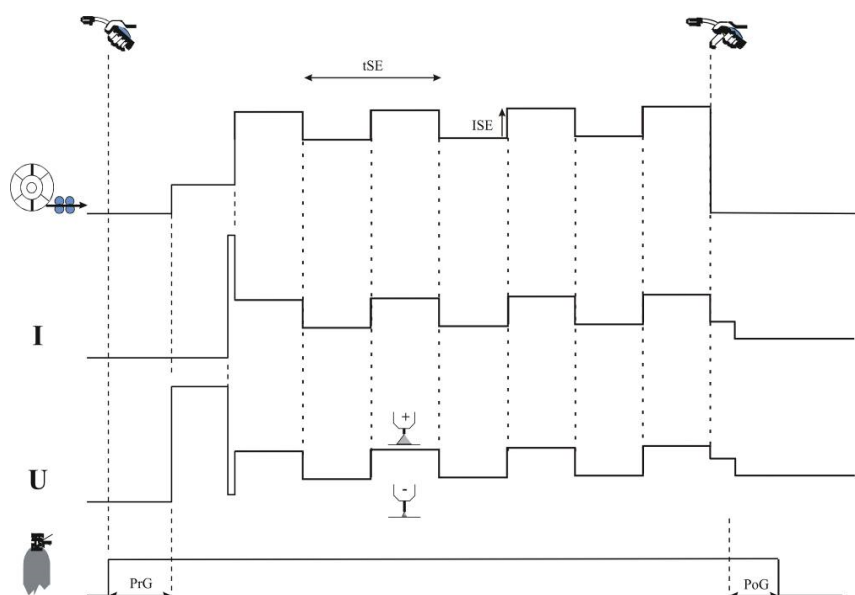
El parámetro "tSE" se muestra en el menú "CYCLE"

Establezca este parámetro en un valor entre 0 y 9,9 s.

tSE : Duración de las 2 mesetas si ≠ OFF.

ISE : 2º nivel de corriente como % del 1º nivel.

Disponible solo en el modo sinérgico, ciclo 2T o ciclo 4T



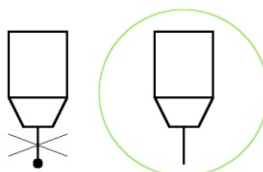
Configuración fina (parámetro ajustable en el menú de instalación del ciclo "rFP)

En la soldadura por pulsos, la función de ajuste de precisión permite optimizar el lugar de desprendimiento de la gota de acuerdo con la variación en las composiciones de los alambres y los gases utilizados para la soldadura.

Cuando se observan en el arco salpicaduras finas que pueden adherirse a la pieza de trabajo, el ajuste fino se debe cambiar a valores negativos. Si se transfieren gotas grandes por el arco, el ajuste fino se debe cambiar a valores positivos.

PR-spray o afilado del alambre

El final de los ciclos de soldadura puede ser modificado para evitar la formación de una bola en el extremo del alambre. Esta operación produce una rectificación del alambre casi perfecta. La solución seleccionada consiste en la inyección de un pico de corriente al final del ciclo, lo que hace que el extremo del alambre sea puntiagudo.



Nota: Este pico de corriente al final del ciclo no siempre es deseable. Por ejemplo, al soldar láminas finas, este mecanismo puede causar un cráter

7.3. LISTA DE SINERGIAS

SHORT ARC (SA)						
	0.6 mm	0.8 mm	1 mm	1.2 mm	1.4 mm	1.6 mm
Fe SG 1/2	M21	M21	M21	M21	/	M21
	M14	M14	M14	M14	/	M14
	M20	M20	M20	M20	/	M20
	/	I1	I1	I1	/	I1
CrNi	/	M11	M11	M11	/	M11
	/	M12	M12	M12	/	M12
	/	M12	M12	M12	/	M12
AlSi	/	/	C1	C1	/	C1
Al	/	/	/	C1	/	C1
AlMg 3.5	/	/	C1	C1	/	C1
AlMg 5	/	/	C1	C1	/	C1
Cu Si	/	C1	C1	C1	/	/
Cu Al	/	/	C1	C1	/	/
SD Zn	/	/	M21	M21	/	/
RCW : SD 100	/	/	M21	M21	/	M21
	/	/	I1	I1		I1
MCW : SD 200	/		M21	M21	M21	M21
BCW : SD 400	/	/	/	M21	/	M21
	/	/	/	I1	/	I1
SPEED SHORT ARC (SSA)						
	0.6 mm	0.8 mm	1 mm	1.2 mm	1.4 mm	1.6 mm
Fe SG 1/2	M21	M21	M21	M21	/	M21
	M14	M14	M14	M14	/	M14
	M20	M20	M20	M20	/	M20
CrNi	/	M12	M12	M12	/	M12
	/	M12	M12	M12	/	M12
	/	M11	M11	M11	/	M11
MCW : SD 200	/	/	/	M21	/	/
HPS						
	0.6 mm	0.8 mm	1 mm	1.2 mm	1.4 mm	1.6 mm
Fe SG 1/2	/	/	M21	M21		/
	/	/	M20	M20		/
MCW : SD 200	/	/	/	M21	M21	/
	/	/	/	M20	M20	/
	/	/	/	M14	M14	/
PULS						
	0.6 mm	0.8 mm	1 mm	1.2 mm	1.4 mm	1.6 mm
Fe SG 1/2	/	M21	M21	M21	/	M21
	/	M14	M14	M14	/	M14
	/	M20	M20	M20	/	M20
CrNi	/	M11	M11	M11	/	M11
	/	M12	M12	M12	/	M12
	/	M12	M12	M12	/	M12
AlSi	/	/	C1	C1	/	C1
Al	/	/		C1	/	C1
AlMg 3.5	/	/	C1	C1	/	C1
AlMg 5	/	/	C1	C1	/	C1
Cu Si	/	/	C1	C1	/	/
Cu Al	/	/	C1	C1	/	/
MCW : SD 200	/	/	/	M21	/	M21
BCW : SD 400	/	/	/	M21	/	/

LOW NOISE PULS						
	0.6 mm	0.8 mm	1 mm	1.2 mm	1.4 mm	1.6 mm
Fe SG 1/2	/	/	M21	M21	/	/
	/	/	M14	M14	/	/
	/	/	M20	M20	/	/
CrNi	/	/	M12	M12	/	M12
	/	/	M12	M12	/	M12
	/	/	M11	M11	/	M11

NOTA: Para cualquier otra sinergia, póngase en contacto con nuestra agencia

GAZ TABLE	
Description	Old gaz reference
Ar82/CO ₂ 18	M21
Ar92/CO ₂ 8	M20
Ar/CO ₂ /O ₂	M14
CO ₂	I1
Ar/CO ₂ /H ₂	M11
Ar98/CO ₂ 2	M12
Ar/He/CO ₂	M12
Ar	C1

WIRES TABLE		
Description	Désignation	Reference
Fe SG ½	Steel solid wire	NERTALIC G2 FILCORD FILCORD C FILCORD D FILCORD E STARMAG
Cu Si	Copper Silicium solid wire	
Cu Al	Copper Aluminum solid wire	FILCORD 46
Al Mg 5	Aluminum solid wire	FILALU Al Mg 5
Al Mg 3.5		FILALU Al Mg 3
Al Si		FILALU Al Si 5
Al		FILALU 99.5 Ti
Cr Ni	Stainless steel solid wire	FILINOX 307 FILINOX 308 Lsi FILINOX 309 Lsi FILINOX 316 Lsi
Sd Zn	Galvanised solid wire	FILCORD Zn
BCW	Basic cored wire	SAFDUAL STEELCORED INOXCORED
MCW	Metallized powder cored wire	
RCW	Rutile cored wire	

*Pour de plus amples informations concernant nos consommables et gaz de soudage, veuillez contacter votre agence commerciale la plus proche

TABLA DE GASES

Descripción en la fuente de alimentación	Nombre del gas
CO2	CO2
Ar(82%) CO2(18%)	ATAL 5 ARCAL MAG
Ar(92%) CO2(8%)	ARCAL 21
Ar CO2 CO2	ARCAL 14
Ar CO2 H2	NOXALIC 12
Ar CO2	ARCAL 12
Ar CO2 He	ARCAL 121
Ar	ARGON

TABLA DE ALAMBRES

Descripción en la fuente de alimentación	Nombre del alambre	
Fe SG 1/2	Nertalic G2	Filcord D
	Filcord	Filcord E
	Filcord C	Starmag
Solid wire galva	Filcord ZN	
CrNi	Filinox	
	Filinox 307	
	Filinox 308 Lsi	
	Filinox 316 Lsi	
AlSi	Filalu AlSi5	
Al	Filalu Al 99,5	
AlMg3	Filalu AlMg3	
AlNi4,5Mn	Filalu AlMg4,5	
AlMg5	Filalu AlMg5	
CuproSi	Filcord CuSi	
CuproAl	Filcord 46	



SAF-FRO

DIGISTEEL III 420/520
DIGIPULS III 420/520



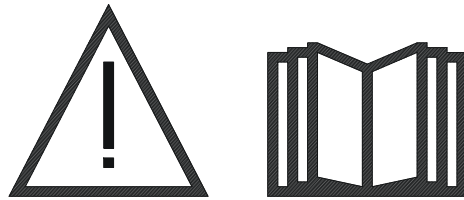
IT

MANUALE PER USO E MANUTENZIONE

Cat n°: 8695-1251
Rev : D
Date : 02/2018



Contact: www.saf-fro.com



IT

La saldatura ad arco ed il taglio al plasma possono essere pericolosi per l'operatore e per le persone che si trovano in prossimità dell'area di lavoro. Si chiede di leggere il manuale operativo.

1 - INFORMAZIONI GENERALI	4
1.1. PRESENTAZIONE IMPIANTO	4
1.2. COMPONENTI DEL SET DI SALDATURA	4
1.3. SPECIFICHE TECNICHE FONTI DI ALIMENTAZIONE	5
2 - AVVIAMENTO	5
2.1. COLLEGAMENTI ALLA RETE ELETTRICA	6
2.2. COLLEGAMENTO DELL'ALIMENTATORE FILO	6
2.3. COMPONENTI DI CONSUMO PER GUIDA FILO	6
2.4. COLLEGAMENTO DELLA TORCIA ET DELL'ALIMENTATORE FILO	6
2.5. COLLEGAMENTO VALVOLA INGRESSO GAS	7
2.6. ACCENSIONE	7
3 - ISTRUZIONI PER L'USO	8
3.1. COMANDI PANNELLO ANTERIORE	8
3.2. REGOLARE LA STRUTTURA	9
3.3. DISPLAY E SUO UTILIZZO	9
4 - OPZIONI, ACCESSORI	12
5 - FASCIO ET TORCIA	14
5.1. FASCIO	14
5.2. TORCIA	14
5.3. TORCIA PUSH PULL	14
5.4. TORCIA A POTENZIOMETRI	14
6 - MANUTENZIONE	15
6.1. INFORMAZIONI GENERALI	15
6.2. RULLI E GUIDA FILO	15
6.3. TORCIA	15
6.4. PARTI DI RICAMBIO	16
6.5. PROCEDURA DI RISOLUZIONE DEI PROBLEMI	20
6.6. SCHEMA ELETTRICO	22
7 - ALLEGATI	25
7.1. PRESENTAZIONE DEI PROCESSI DI SALDATURA	25
7.2. CICLO AVANZATO DI SALDATURA	27
7.3. LISTA DELLE SINERGIE	30

1 - INFORMAZIONI GENERALI

1.1. PRESENTAZIONE IMPIANTO

DIGISTEEL III 420-520 / DIGIPULS III 420-520 è un dispositivo progettato per la saldatura manuale. L'attrezzatura permette di eseguire le seguenti operazioni:

- + Saldatura MIG-MAG ad arco corto, arco corto veloce, arco a spruzzo, HPS, arco pulsato standard et pulsato bas bruit (in base al DIGIPULS), alimentazione da 15A à 420A ou de 15A à 520A.
- + Filo di alimentazione di diverso tipo:
 - ⇒ Acciaio, acciaio inox, alluminio e fili speciali
 - ⇒ Fili pieni e animati
 - ⇒ diametro da 0.6-0.8-1.0-1.2-1.4-1.6mm
- + Saldatura ad elettrodo rivestito
- + Processo di scricatura (richiede il KIT W000010999)
- + Saldobrasatura filo MIG con CUPRO alluminio oppure CUPRO silicio

Elle est livrée sous la forme d'un package prêt à l'emploi associée aux dévidoirs **DVU P400 ou DVU P500**

1.2. COMPONENTI DEL SET DI SALDATURA

Il set di saldatura comprende 5 componenti principali:

- 1 - Fonte di alimentazione che include il cavo di massa (5m) e la sua treccia di massa (5m),
- 2 - Unità di raffreddamento (opzionale).
- 3 - L'alimentatore filo
- 4 - Il fascio di collegamento a doppio innesto tra l'alimentatore filo e il generatore
- 5 - Carrello porta impianto (opzionale),

Ciascun componente viene ordinato e fornito separatamente. Gli accessori opzionali ordinati con il set di saldatura sono consegnati separatamente. Per il montaggio, consultare le istruzioni fornite con gli accessori.



AVVERTENZA:

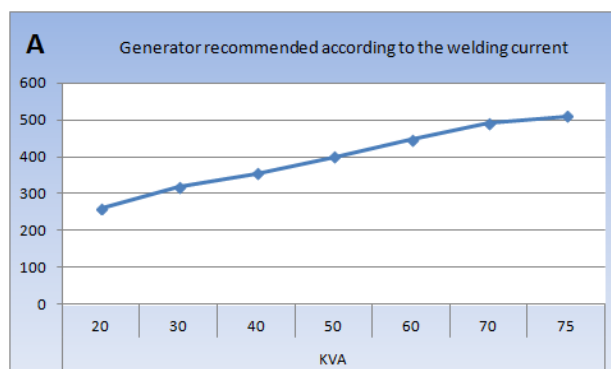
Non utilizzare le maniglie in plastica per sollevare l'attrezzatura. Si garantisce la stabilità del macchinario solo per un'inclinazione di massimo 10°.

1.3. SPECIFICHE TECNICHE FONTI DI ALIMENTAZIONE

	DIGISTEEL III 420 W000383615	DIGISTEEL III 520 W000383617	DIGIPULS III 420 W000383661	DIGIPULS III 520 W000383662
Parte primaria				
Energia primaria	400 V	400 V	400 V	400 V
Frequenza energia primaria	50/60Hz	50/60Hz	50/60Hz	50/60Hz
Consumo effettivo energia primaria	18,5 A	28,5 A	21,1 A	28,5 A
Consumo massimo energia primaria	26 A	33,9 A	27,1 A	33,9 A
Fusibile primario	25 A Gg	32 A Gg	25 A Gg	32 A Gg
Massima potenza apparente	18 KVA	23,8 KVA	18,9 KVA	23,8 KVA
Massima potenza attiva	17,2 KW	22,4 KW	17,7 KW	22,4 KW
Potenza attiva in standby (IDLE)	28 W	29 W	29 W	29 W
Efficienza a corrente massima (MIG)	87	89	87	89
Fattore di potenza a corrente massima (MIG)	0,96	0,94	0,93	0,94
Fattore di potenza (Cos Phi)	0,99	0,99	0,99	0,99
Parte secondaria				
Voltaggio in assenza di carico (secondo standard) en MIG	57 V	73 V	73 V	73 V
Massimo intervallo di saldatura Max MIG	14,8V / 35 V 15A / 420A	14,8V / 39 V 15A / 500A	14,8V / 35 V 15A / 420A	14,8V / 39 V 15A / 500A
Massimo intervallo di saldatura MMA	15A / 420A	15A / 500A	15A / 420A	15A / 500A
Ciclo di lavoro al 100% en MIG (ciclo di 10 min. a 40°C)	350A	450A	350A	450A
Ciclo di lavoro al 60% en MIG (ciclo di 6 min a 40°C)	380A	500A	420A	500A
Ciclo di lavoro a corrente massima al 40°C en MIG	40%	60%	60%	60%
Varie				
Dimensioni (Lxwxh)	720 x 295 x 525	720 x 295 x 525	720 x 295 x 525	720 x 295 x 525
Peso	34 kg	40 kg	36 kg	40 kg
Temperatura in attività	-10° C / +40° C	-10° C / +40° C	-10° C / +40° C	-10° C / +40° C
Temperatura di conservazione	-20° C / +55° C	-20° C / +55° C	-20° C / +55° C	-20° C / +55° C
Connessione torcia	"Européen"	"Européen"	"Européen"	"Européen"
Grado di protezione	IP 23	IP 23	IP 23	IP 23
Classe di isolamento	H	H	H	H
Standard	60974-1 & 60974-10	60974-1 & 60974-10	60974-1 & 60974-10	60974-1 & 60974-10



AVVERTENZA: questa fonte di alimentazione non può essere utilizzata in caso di pioggia o neve. Può essere conservata all'aperto, ma non progettata per un utilizzo senza protezione in caso di pioggia.



2 - AVVIAMENTO

DIGISTEEL III / DIGIPULS III 420-520

2.1. COLLEGAMENTI ALLA RETE ELETTRICA

DIGISTEEL III 420-520 / DIGIPULS III 420-520 è un set per saldatura trifase a 400 V. Se la rete elettrica disponibile corrisponde ai requisiti, collegare la spina "trifase + messa a terra" al cavo di alimentazione.



AVVERTENZA: L'impedenza del sistema di alimentazione pubblica a bassa tensione al punto di accoppiamento comune è inferiore a **98,2 mΩ for the DIGISTEEL III 420**
28 mΩ or the DIGIPULS III 420
20.6 mΩ or the DIGISTEEL III 520 and DIGIPULS III 520.

L'attrezzatura è quindi conforme alle norme IEC 61000-3-11 e IEC 61000-3-12 e può essere collegata agli impianti pubblici a bassa tensione. L'installatore o utente dell'attrezzatura ha la responsabilità di assicurare che l'utilizzo del macchinario rispetta i limiti di impedenza previsti, consultando, se necessario, il gestore di distribuzione della rete elettrica.



AVVERTENZA: La presente attrezzatura, di classe A, non è stata progettata per un utilizzo in luoghi residenziali dove la rete di distribuzione è fornita dall'impianto pubblico a bassa tensione. A causa di interferenze dei condotti e della distribuzione, in questi luoghi possono esserci dei problemi di compatibilità elettromagnetica.

2.2. COLLEGAMENTO DELL'ALIMENTATORE FILO



AVVERTENZA:
Da effettuare dopo aver levato tensione al generatore.

Collegare il cablaggio al trainafilo usando le posizioni appropriate dei connettori.
Raccordare l'altra estremità del fascio al generatore.
Collegare la torcia di saldatura MIG al generatore

2.3. COMPONENTI DI CONSUMO PER GUIDA FILO

		INGRESSO GUIDA FILO	ADATTORE	RULLO	GUIDA FILO INTERMEDIO	USCITA GUIDA FILO	
ACCIAIO ACCIAIO inox	0,6 / 0,8	Plastica W000277333	W000277338	W000305125	W000277334	W000277335	
	0,9 / 1,2			W000277008			
	1,0 / 1,2			W000267599		W000277335	W000277336
	1,2 / 1,6			W000305126		W000277336	
	1,4 / 1,6			W000277009			
CAVO CON FONDENTE INTERNO	0,9 / 1,2	W000277333	W000277338	W000277010	W000277334	W000277335	
	1,2 / 1,6			W000266330		W000277335	W000277336
	1,4 / 1,6			W000277011		W000277336	
LEGHE LEGGERE	1,0 / 1,2	ALUKIT W000277622					
	1,2 / 1,6	ALUKIT W000277623					

E' possibile utilizzare rulli in acciaio ALU con filo metallico e filo rivestito.

Montaggio rullo

Per montare i rulli sulla piastra è necessario un adattatore rif. W000277338.

2.4. COLLEGAMENTO DELLA TORCIA ET DELL'ALIMENTATORE FILO

Torcia di saldatura MIG si collega sulla parte anteriore del trainafilo dopo che è stato controllato che sia dotato dalle parti di consumo i quali corrispondono al filo utilizzato per la saldatura.

Leggere attentamente le istruzioni indicate per la torcia.

Se volete utilizzare la torcia raffreddata ad acqua, verificare se è stata collegata la unità di raffreddamento sulla parte posteriore del generatore e anche sull'cablaggio di acqua.



ATTENZIONE

Operazione di raffreddamento sotto vuoto gruppo non collegato ad un flare può distruggere.

2.5.COLLEGAMENTO VALVOLA INGRESSO GAS

La bocchetta di scarico gas è posizionata nella parte posteriore dell'impianto. Occorre semplicemente collegarla al regolatore di pressione della bombola gas.

- + Posizionare la bombola gas sul carrello posto nella parte posteriore della fonte di energia e fissare la bombola utilizzando la cinghia.
- + Aprire delicatamente la valvola della bombola per permettere la fuoriuscita delle impurità esistenti e richiudere.
- + Montare il regolatore di pressione/flussometro.
- + Aprire la bombola gas.

Durante la saldatura, la portata di massa dovrebbe essere tra 10 and 20l/min.



AVVERTENZA:

Assicurarsi che la bombola gas sia correttamente fissata sul carrello collegandola alla cinghia di sicurezza.

2.6.ACCENSIONE

1

L'interruttore principale è posto nella parte posteriore della fonte di energia. Ruotare l'interruttore per attivare l'attrezzatura.

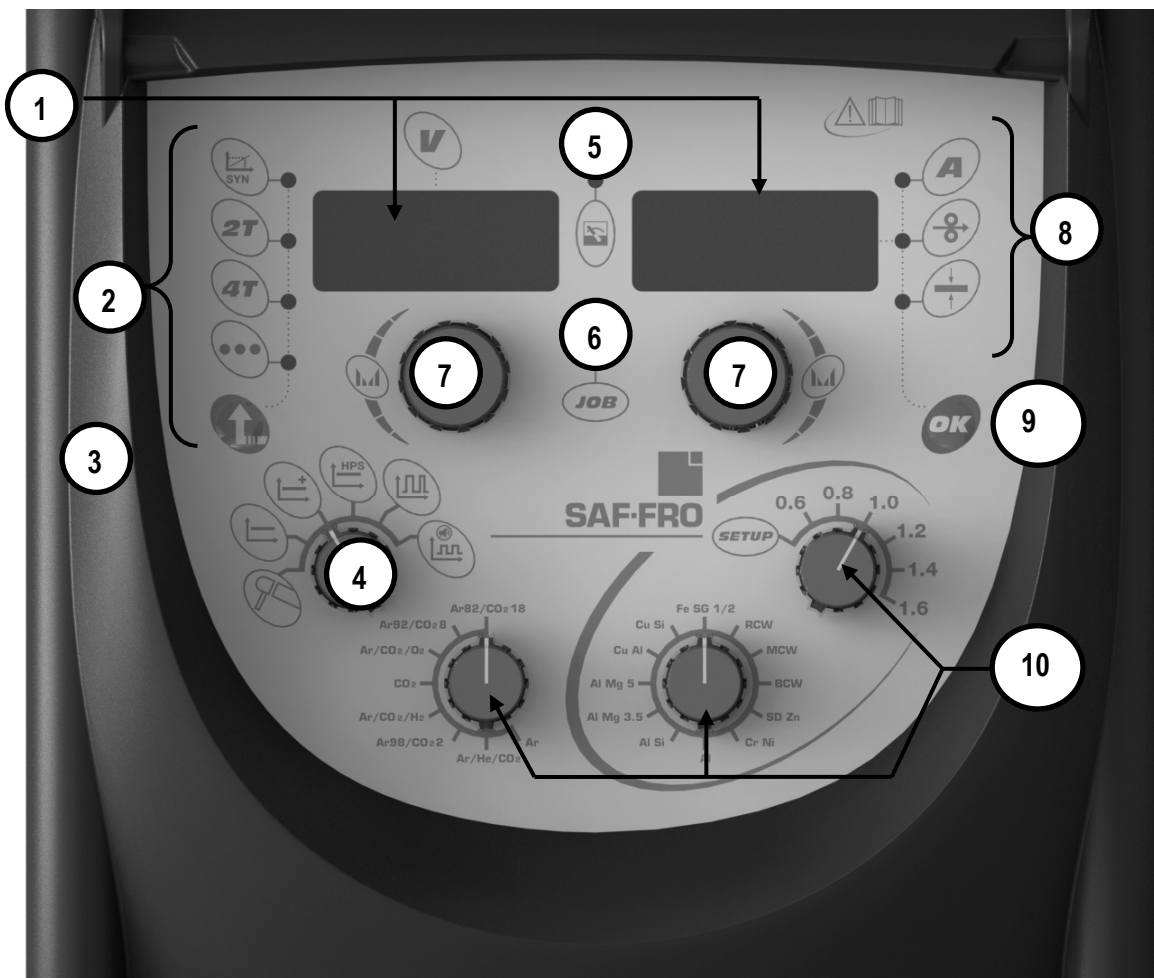


Nota: non girare mai questo interruttore durante il processo di saldatura.

Ad ogni accensione, il display della fonte di energia mostra la versione del software corrente e la fonte di energia identificata.

3 – ISTRUZIONI PER L'USO

3.1. COMANDI PANNELLO ANTERIORE



Display sinistro: tensione; display destro: corrente/ velocità filo/spessore filo **1**

Display per selezione modalità saldatura **2**

Tasto selettore modalità di saldatura **3**

Interruttori di selezione processo di saldatura **4**

Indicatore di misurazione dei valori visualizzati
(pre-saldatura, saldatura e dati post-saldatura) **5**

Indicatore Led per modalità programma **6**

Impostazione encoder tensione **7**

Display modalità corrente, velocità filo, spessore lamina metallica **8**

Tasto selettore pre-visualizzazione **9**

Interruttore selettore per tipologia gas, diametro e tipo filo per saldatura **10**

3.2.REGOLARE LA STRUTTURA



AVVERTENZA:

Per raggiungere una saldatura ottimale, è necessario eseguire la taratura dell'impianto durante l'avviamento. Tale operazione deve essere ripetuta in caso di polarità inversa.

Passo 1: Ruotare l'interruttore del diametro filo nella posizione di COnFIG e premere il tasto OK per accedere alla schermata COnFIG Setup (Configurazione).

Passo 2: Selezionare il parametro CaL con encoder sinistro e selezionare On con encoder destro.

Passo 3: Premere il tasto OK presente sul pannello anteriore. Il display indicherà triGEr

Passo 4: Rimuovere l'ugello torcia.

Passo 5: Tagliare il filo.

Passo 6: Posizionare il pezzo a contatto con il tubo di contatto.

Passo 7: Premere la levetta.

Passo 8: Il display indicherà il valore di L (induttanza del cavo).

Passo 9: Visualizzare il valore di R utilizzando l'encoder destro (resistenza cavo).

Passo 10: Impostazioni uscita.

3.3.DISPLAY E SUO UTILIZZO

3.3.1. Modalità sinergia

I valori elencati per ogni regolazione di velocità di alimentazione filo relativi alla corrente, alla tensione e allo spessore sono forniti solamente a scopo informativo. Tali valori corrispondono a misurazioni avvenute in determinate condizioni operative della struttura; ad esempio posizione e lunghezza della sezione finale (saldatura in piano, saldatura a resistenza).

Le unità corrente/tensione visualizzate corrispondono ai valori medi calcolati, differenti rispetto ai valori teorici.

Indicatore Led per modalità programma:

- ⇒ OFF: display istruzioni pre-saldatura.
- ⇒ ON: Display of measurements (average values). Display delle misurazioni (valori medi).
- ⇒ Segnalazione intermittente: misurazioni durante la saldatura.

Selezione del filo, diametro, gas e processo di saldatura

Selezionare il tipo di filo, il suo diametro, il gas di saldatura utilizzato ed il processo di saldatura ruotando l'interruttore appropriato. I valori medi per diametro, gas e processi saranno visualizzati selezionando il materiale da saldare.

Qualora non fosse presente la sinergia, la fonte di alimentazione mostrerà le seguenti voci: nOt SYn, GAS SYn, DIA SYn or Pro SYn.

Selezione della modalità di saldatura, lunghezza dell'arco e display pre-saldatura.

Selezionare la modalità di saldatura 2T, 4T, saldatura a punti, sinergica e manuale utilizzando il tasto di richiamo del programma (3). La lunghezza dell'arco può essere regolata mediante encoder sinistro (7); mentre le regolazioni pre-saldatura vengono eseguite con encoder destro (8). La programmazione della pre-saldatura avviene premendo il tasto OK(10).

3.3.2. Modalità manuale

Questa modalità permette di regolare il processo di saldatura secondo le proprie necessità. I parametri regolabili autonomamente sono: velocità filo, tensione arco ed impostazione avanzata.

Con questa modalità verrà visualizzato solo il valore relativo alla velocità del filo.

3.3.3. Modalità IMPOSTAZIONI

Accesso alle IMPOSTAZIONI:

Si può accedere alla modalità IMPOSTAZIONI solamente in assenza di processi di saldatura in corso, configurando il selettore del diametro del filo presente sul pannello anteriore alla posizione 1.

Tale modalità si compone di due menu a scorrimento:

'CYCLE' → Regolazione fasi ciclo.

'COnFIG' → Configurazione fonte di alimentazione.

Configurazione IMPOSTAZIONI:

In modalità IMPOSTAZIONI (SETUP), selezionare il menu CYCLE o COnFIG premendo il tasto OK.

Ruotare l'encoder **sinistro** per scorrere i parametri disponibili.

Ruotare l'encoder **destro** per impostarne i valori.

Non verrà avviata nessuna saldatura. Tutte le modifiche verranno salvate una volta usciti dal menu IMPOSTAZIONI.

Lista dei parametri accessibili presenti nel menu COnFIG

Display sinistro	Display destro	Step	Default	Descrizione
GrE	On -;OFF – Aut		Aut	Configurazione dell'unità di raffreddamento. 3 scelte possibili: - On : Raffreddamento forzato, il distributore di acqua fredda è sempre attivato. - OFF: Raffreddamento forzato, il distributore di acqua fredda è sempre disattivato. - Aut : modalità automatica, il distributore di acqua fredda avviene secondo richiesta.
ScU	nc – no - OFF		OFF	Sicurezza dell'unità di raffreddamento. 3 scelte possibili: - nc : chiuso normalmente, - no : aperto normalmente, - OFF : disattivato.
Unit	US – CE		CE	Unità visualizzata per velocità e spessore del filo: - US: unità pollici - CE: unità di misura
CPt	OFF-0,01-1,00	0,01s	0,30	Durata abbassamento della levetta per richiamare il programma (solo in modalità saldatura 4T). Può essere utilizzato solo per programma di saldatura da 50 a 99.
LAn	Fr,dE,En,It,ES,PO, ,nL,SU,Pt,rO,dA, nO,Fi,Sh,CS,Hu		En	Scegli la lingua visualizzata solo se sono collegati l'alimentatore a filo RC-JOB o P500 Francese (Fr) -German (DE) - Inglese (En) -Italiano (It) - Spagnolo (ES) -Polish (PO) - Olandese (nL) -Svedese (SU) -Portoghese (Pt) - Romeno (RO) - Danese (DA) - Norvegese (NO) - Finlandese (Fi) -Slovacco (Sh) - Ceco (CS) - Ungherese (Hu)
PGM	Nno-yES		no	Attivazione/ disattivazione modalità gestione programma.
PGA	OFF-;000-020%	1 %	OFF	Utilizzato per configurare la serie di modifiche disponibili dei seguenti parametri: velocità filo, tensione arco, dinamica arco, impostazione avanzata pulsato.Utilizzare solo quando la gestione del programma è attiva ed i programmi sono bloccati.
CAL	OFF-on		OFF	Taratura della torcia e della treccia di massa.
AdJ	Loc -- rC		Loc	Seleziona regolazione Velocità filo e tensione arco: - Loc: Local sulla fonte di alimentazione - rC: telecomando o potenziometro torcia
L	0-50	1uH	14	Impostazione cavo aria/display bobina di arresto del cavo/display.
r	0-50	1Ω	8	Impostazione resistore cavo/display.
SoF	no-yES		no	Modalità aggiornamento software.
FAC	no-yES		no	Azzeramento impostazioni di fabbrica. Premendo YeS vengono azzerati i parametri di default all'uscita dal menu IMPOSTAZIONI.

Lista dei parametri accessibili presenti nel menu CICLO

Display sinistro	Display destro	Step	Default	Descrizione
tPt	00.5-10.0	0,1 s	0,5	Durata saldatura a punti. In modalità saldatura a punti e manuale le impostazioni relative a riaccensione, caduta di tensione e sequenziatore non possono essere modificati.
PrG	00.0-10.0	0,1 s	0,5	Durata pre-gas
tHS	OFF-00.1-10.0	0,1 s	0,1	Durata riaccensione
IHS	--70-70	1 %	30	Corrente riaccensione (velocità filo). X% ± la corrente di saldatura.
UHS	--70-70	1 %	0	Tensione riaccensione X% ± la tensione arco.
dYn	--10 + 10 --20 - 20	1 %	0	Impostazione avanzata con arco corto.
rFP	--10 + 10 --20 + 20	1 %	0	Impostazione avanzata modalità pulsato.
dyA	00 - 100	1	50	Dinamica innesco arco ad elettrodo.
tSE	OFF - 0.01 - 2.50	0,01 s	OFF	Tempo sequenziatore (sequenziatore disponibile solo in modalità sinergia).
ISE	--90 + 90	1 %	30	Livello corrente sequenziatore X% ± corrente saldatura.
dSt	OFF-00.1- 05.0	0,1 s	OFF	Durata caduta di tensione
DdSI	--70-00.0	1 %	--30	Corrente di discesa (velocità filo). X% ± la corrente di saldatura.
dSU	--70-70	1 %	0	Caduta di tensione X% ± la tensione arco.
Pr_	0.00-0.20	0,01 s	0,05	Tempo antiaderenza
PrS	Nno-yES		no	Attivazione spray-pr
PoG	00.0-10.0	0,05 s	0,05	Tempo post-gas

NOTE : Le strutture DIGISTEEL III 420-520 / DIGIPULS III 420-520 permettono di bloccare il menu programma. Tale funzione è disponibile sullo schermata programma mediante il parametro cod. Per disattivare la funzione è necessario inserire il codice di blocco.

3.3.4.Richiamo programma con levetta

Questa funzione permette di collegare da 2 a 10 programmi ed è disponibile solamente in modalità saldatura 4T; la modalità gestione programma deve essere attiva.

Programma concatenamento:

La funzione richiamo programma opera con programmi da P50 to P99 da dieci:

⇒ P50→P59 ; P60→P69 ; P70→P79 ; P80→P89 ; P90→P99

Selezionare il primo programma che si intende collegare. Durante la saldatura, il programma cambierà ogni volta che si preme la levetta.

Per concatenare meno di dieci programmi, inserire un differente parametro nel programma desiderato e successivo alla fine della sequenza (come sinergia o ciclo di saldatura). E' possibile impostare la durata di tenuta della levetta per apportare modifiche nel concatenamento dei programmi: SETUP → CPT → inserire un valore da 1 a 100 → uscita SETUP.

Esempio: creare una lista dei programmi da P50 a P55 (6 programmi).

1. Nel programma P56, inserire un ciclo di saldatura differente o di sinergia e di seguito P55 per terminare i collegamenti.
2. Selezionare programma P50 (primo programma per avviare la saldatura),
3. Avvio saldatura,
4. Ogni volta che si utilizza la levetta, la fonte di alimentazione modificherà il programma fino a P55. Una volta terminato il concatenamento, l'attrezzatura ripartirà da P50.

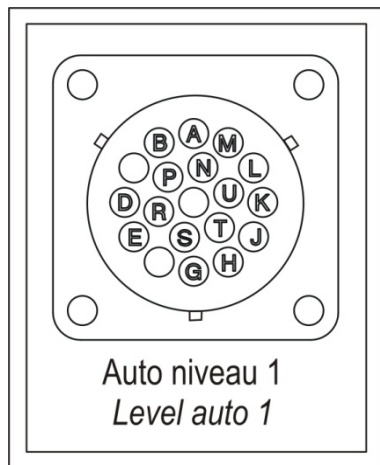
3.3.5. Automazione

a) Le **DIGIPULS III** sono automatizzabili in modo molto semplice. Basta collegare la presa J2 in dotazione nella parte posteriore della stazione.

I contrassegni di fili sono: LIVELLO N1

Uscita contatto asciutto RI: contatto asciutto	K de J2
Uscita contatto Intensità comune RI: contatto asciutto	L de J2
Difetto	T de J2
Comune difetto	L de J2
Ingresso grilletto (+): da posizionare su un contatto asciutto	U de J2
Ingresso grilletto (-): da posizionare su un contatto asciutto	M de J2

Per convalidare la chiusura del contatto r1, occorre tassativamente posizionare «aut≠off». il ritardo della chiusura del contatto si regola mediante il valore "dep" nel sottomenu "livello" del setup.



Nota: L'impostazione di fabbrica è il modo manuale.

Il tipo d'uso selezionato appare sul visualizzatore di destra.

SELEZIONE DEL MODO AUTOMATICO CON GESTIONE A DISTANZA CON COMANDO ANALOGICO

1. Posizionare il commutatore sulla parte anteriore del generatore su « **SEt -UP** ».
2. Agendo sul pulsante « OK » selezionare la scritta « **Con FIG** ».
3. Posizionare il selettore di sinistra in modo da ottenere la scritta « **Aut** » a sinistra.
4. Posizionare il selettore di destra in modo da ottenere la scritta « **n1** » a destra.

4 – OPZIONI, ACCESSORI

4.1 - ALIMENTATORE FILO, DVU P400, COD. W000275266



4.2 - ALIMENTATORE FILO DVU P500, COD. W000275267



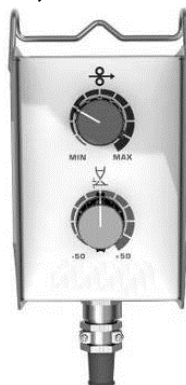
4.3 - UNITA DI RAFFREDDAMENTO COOLER, COD.W000273516



4.4 - COMANDO A DISTANCIA RC JOB, COD. W000275904



4.5 - COMANDO A DISTANCIA 2 POTENZIOMETRI, COD. W000275904



Funzioni controllo remoto

Modifica la velocità del filo durante e in assenza dei processi di saldatura,

Modifica la tensione dell'arco durante e in assenza dei processi di saldatura.

4.6 - DUST FILTER, COD. W000373703

4.7 - CARRELLO TROLLEY, COD. W000383000



Permette di spostare facilmente la struttura in un ambiente di lavoro.

4.8 - ACCESSORIO CARRELLO CHANTIER, COD. W000372274

4.9 - OPZIONE FLUSSOMETRO, COD. W000376539

4.10 - ACCESSORIO PUSH PULL, COD. W000275907

4.11 - OPZIONE DEBITLITRE, COD. W000376539

5 - FASCIO ET TORCIA

5.1. FASCIO

ARIA fascio 2 M – 70 MM ²	réf. W000275894
ARIA fascio 5 M – 70 MM ²	réf. W000275895
ARIA fascio 10 M – 70 MM ²	réf. W000275896
ARIA fascio 15 M – 70 MM ²	réf. W000275897
ARIA fascio 25 M – 70 MM ² (sur cde)	réf. W000276901
ARIA fascio 30 M – 70 MM ² (sur cde)	réf. W000371246
ARIA fascio 40 M – 70 MM ² (sur cde)	réf. W000371245
ARIA fascio 50 M – 70 MM ² (sur cde)	réf. W000371244

ACQUA fascio 2 M – 95 MM ²	réf. W000275898
ACQUA fascio 5 M – 95 MM ²	réf. W000275899
ACQUA fascio 10 M – 95 MM ²	réf. W000275900
ACQUA fascio 15 M – 95 MM ²	réf. W000275901
ACQUA fascio 25 M – 95 MM ² (sur cde)	réf. W000276902
ACQUA fascio 50 M – 95 MM ²	Nous consulter

ACQUA fascio ALU 2 M – 95 MM ²	réf. W000371044
ACQUA fascio ALU 5 M – 95 MM ²	réf. W000371045
ACQUA fascio ALU 10 M – 95 MM ²	réf. W000371175
ACQUA fascio ALU 15 M – 95 MM ²	réf. W000371174
ACQUA fascio ALU 25 M – 95 MM ²	réf. W000371239

5.2. TORCIA

PROMIG NG 341 - 3 M	réf. W000345066
PROMIG NG 341 - 4 M	réf. W000345067
PROMIG NG 341 - 5 M	réf. W000345068

PROMIG NG 341 W - 3 M	réf. W000345069
PROMIG NG 341 W - 4 M	réf. W000345070
PROMIG NG 341 W - 5 M	réf. W000345071

PROMIG NG 441 - 3 M	réf. W000345072
PROMIG NG 441 - 4 M	réf. W000345073
PROMIG NG 441 - 5 M	réf. W000345074

PROMIG NG 441W - 3 M	réf. W000345075
PROMIG NG 441W - 4 M	réf. W000345076
PROMIG NG 441W - 5 M	réf. W000345077

PROMIG NG 450W - 3 M	réf. W000274865
PROMIG NG 450W - 4 M	réf. W000274866
PROMIG NG 450W - 5 M	réf. W000274867

5.3. TORCIA PUSH PULL

PROMIG PP 341 8M	réf. W000385860
PROMIG PP 441W 8M	réf. W000385862
PROMIG PP 341 8M AVEC POTENTIOMETRE	réf. W000385861
PROMIG PP 441W 8M AVEC POTENTIOMETRE	réf. W000385863

5.4. TORCIA A POTENZIOMETRI

DIGITORCH P 341 - 4M	réf. W000345014
DIGITORCH P 341W - 4M	réf. W000345016
DIGITORCH P 441W - 4M	réf. W000345018

Oltre alle funzioni standard di una torcia, si prevede: regolare la velocità del filo e la lunghezza dell'arco e al di fuori di saldatura.

6 - MANUTENZIONE

6.1. INFORMAZIONI GENERALI

In base all'utilizzo del dispositivo, due volte l'anno occorre controllare le seguenti condizioni:

- ⇒ Igiene dell'attrezzatura
- ⇒ Collegamenti elettrici

AVVERTENZA:



Prima di eseguire qualsiasi operazione di pulizia o di riparazione, l'unità deve essere completamente scollegata dalle reti di distribuzione

Smontare i pannelli del generatore e utilizzare ventose per rimuovere la polvere e particelle di metallo accumulate tra i circuiti magnetici e le serpentine del trasformatore.

Tali operazioni devono essere eseguite utilizzando una punta di plastica per non danneggiare l'isolamento delle serpentine..

Ad ogni avviamento dell'unità e prima di consultare il servizio tecnico per i clienti, si chiede di controllare le seguenti condizioni:

- ⇒ La morsetteria di potenza non deve essere fissata in modo scorretto.
- ⇒ La selezione della tensione di rete è corretta.
- ⇒ E' presente un corretto flusso di gas.
- ⇒ Tipologia e diametro del filo. Condizioni della torcia.

OPERAZIONI DA ESEGUIRE DUE VOLTE L'ANNO



- ⇒ Eseguire la taratura della corrente e impostare la tensione.
- ⇒ Controllare i collegamenti ed i circuiti elettrici.
- ⇒ Controllare la condizione di isolamento, dei cavi dei collegamenti e delle tubazioni.
- ⇒ Eseguire una pulizia della canna d'aria compressa.

6.2. RULLI E GUIDA FILO

In normali condizioni di utilizzo, questi accessori possono durare a lungo prima che sia necessaria la loro sostituzione.

Sometimes, however, after being used over a period of time, excessive wear or clogging due to adhering deposits may be noted.

To minimise such harmful effects, make sure the wire feeder plate remains clean.

The motor reduction unit requires no maintenance.

6.3. TORCIA

Controllare regolarmente il corretto spessore dei collegamenti della corrente per saldatura. Gli stress meccanici dovuti agli shock termici tendono ad allentare alcune parti della torcia e in particolare:

- ⇒ Il tubo di contatto
- ⇒ Il cavo coassiale
- ⇒ L'ugello di saldatura
- ⇒ Il connettore rapido

Controllare che la guarnizione del rubinetto dell'ingresso gas sia in buone condizioni.

Rimuovere gli spruzzi tra il tubo di contatto e l'ugello e tra l'ugello e la sua bordatura.

Gli spruzzi sono facili da rimuovere se la procedura viene ripetuta a brevi intervalli.

Non utilizzare strumenti pesanti che possono graffiare la superficie di queste parti e permettere quindi agli spruzzi di aderire su di esse.

- ⇒ SPRAYMIG SIB, W000011093
- ⇒ SPRAYMIG H20, W000010001

Allontanare la guaina dopo ogni sostituzione di bobina. Eseguire questa operazione dal lato della presa del connettore ad attacco rapido della torcia.

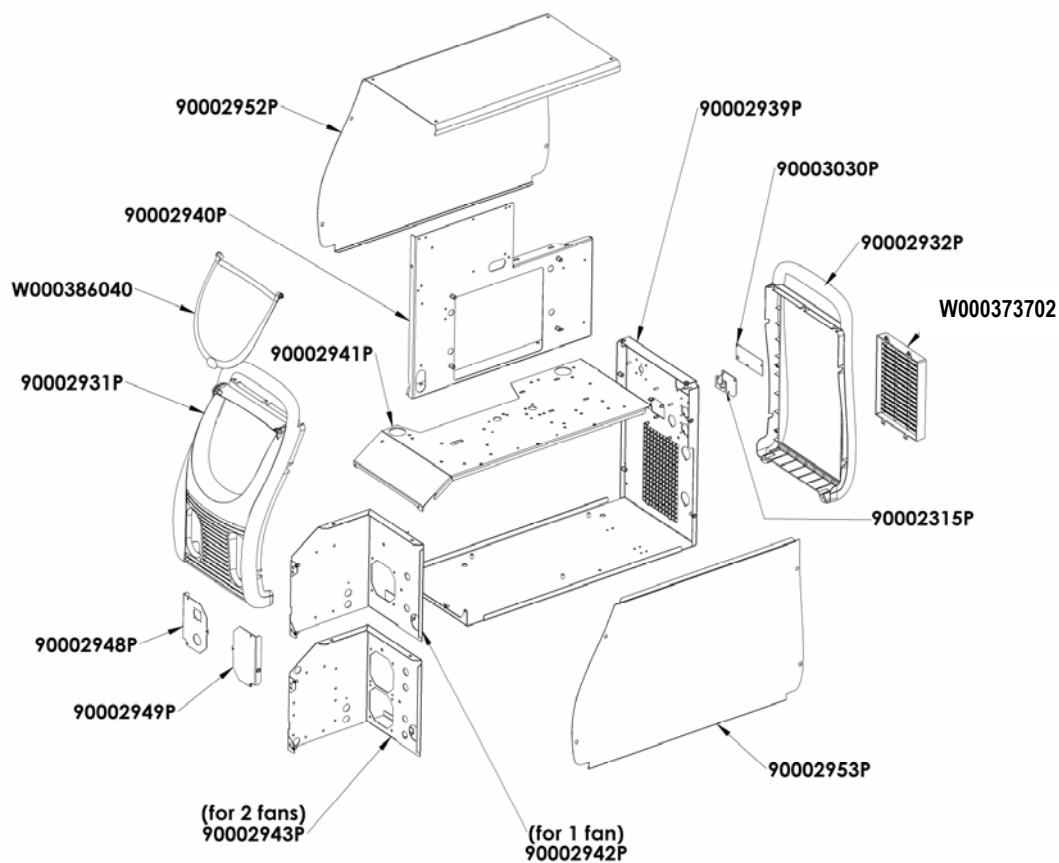
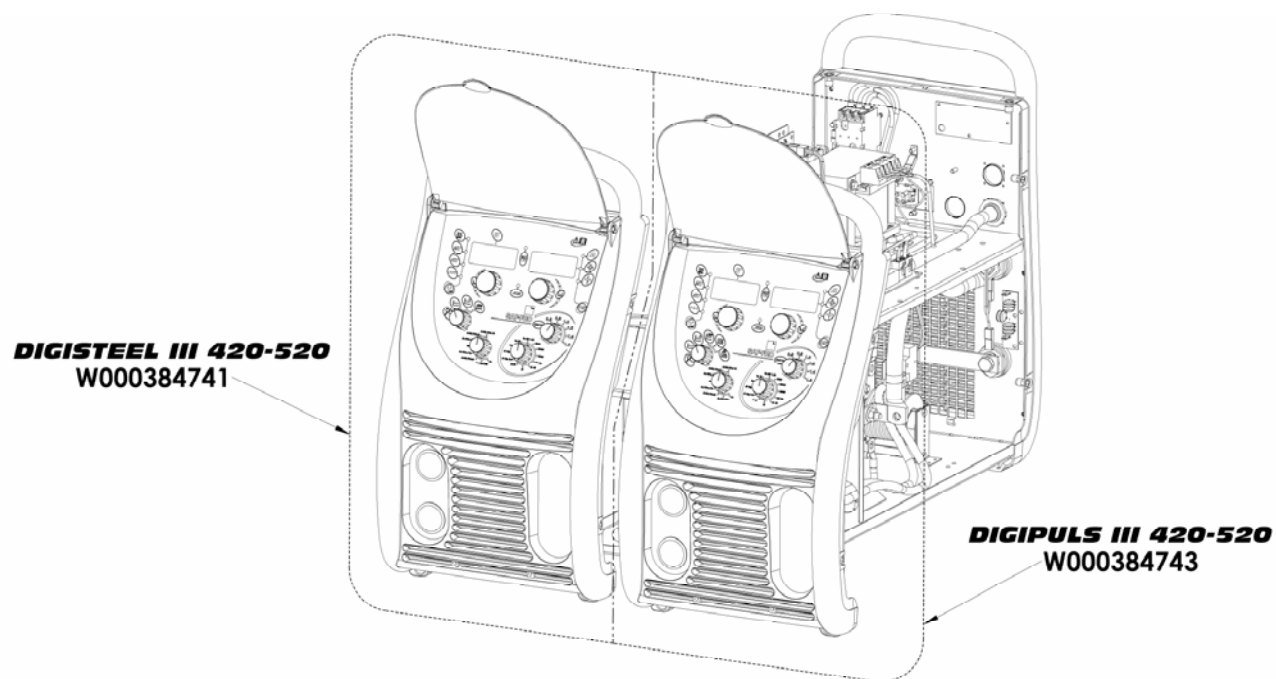
Se necessario, sostituire la guida di ingresso del filo della torcia.

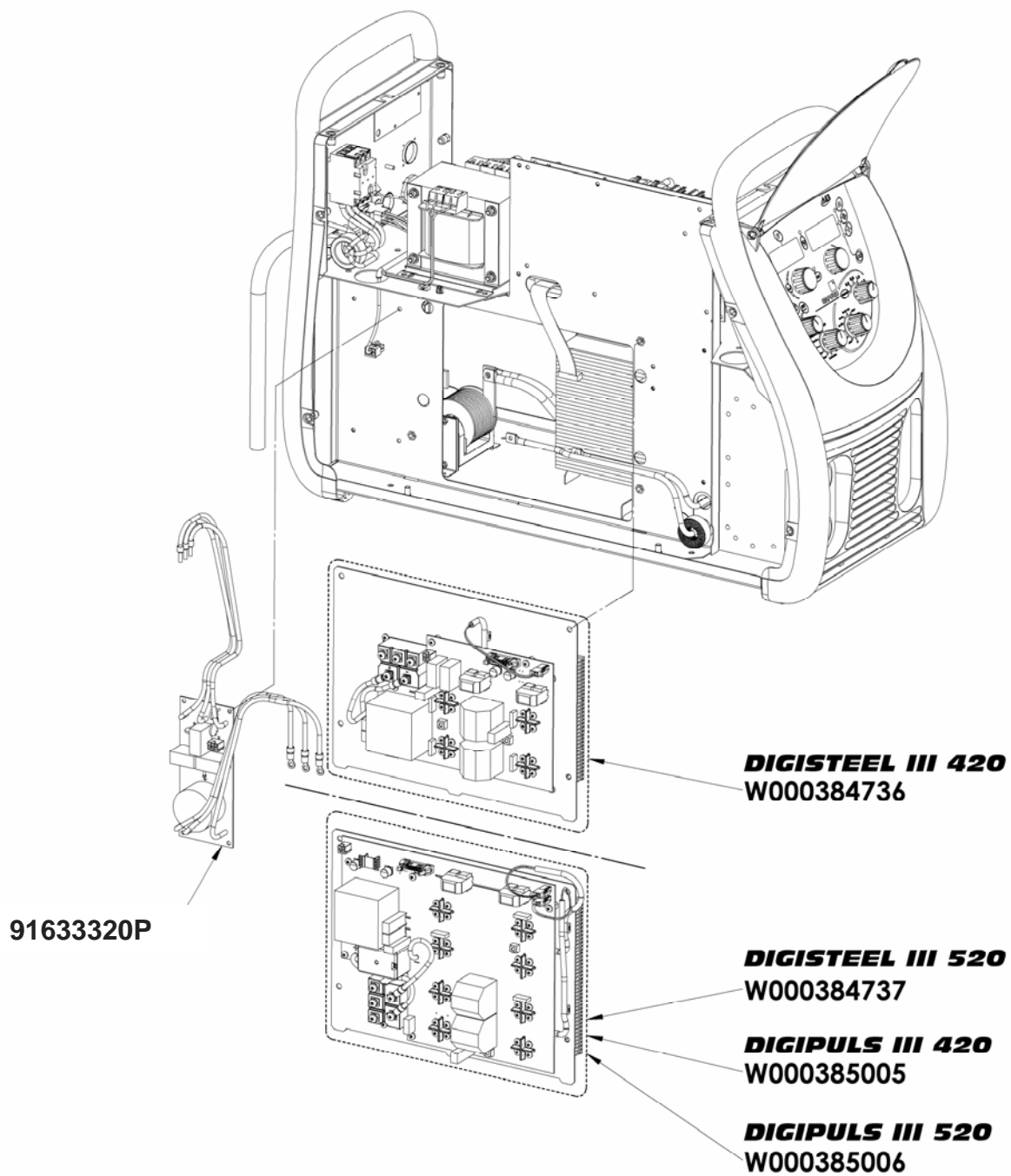
Una grave usura della guida filo può causare perdite di gas verso il lato posteriore della torcia.

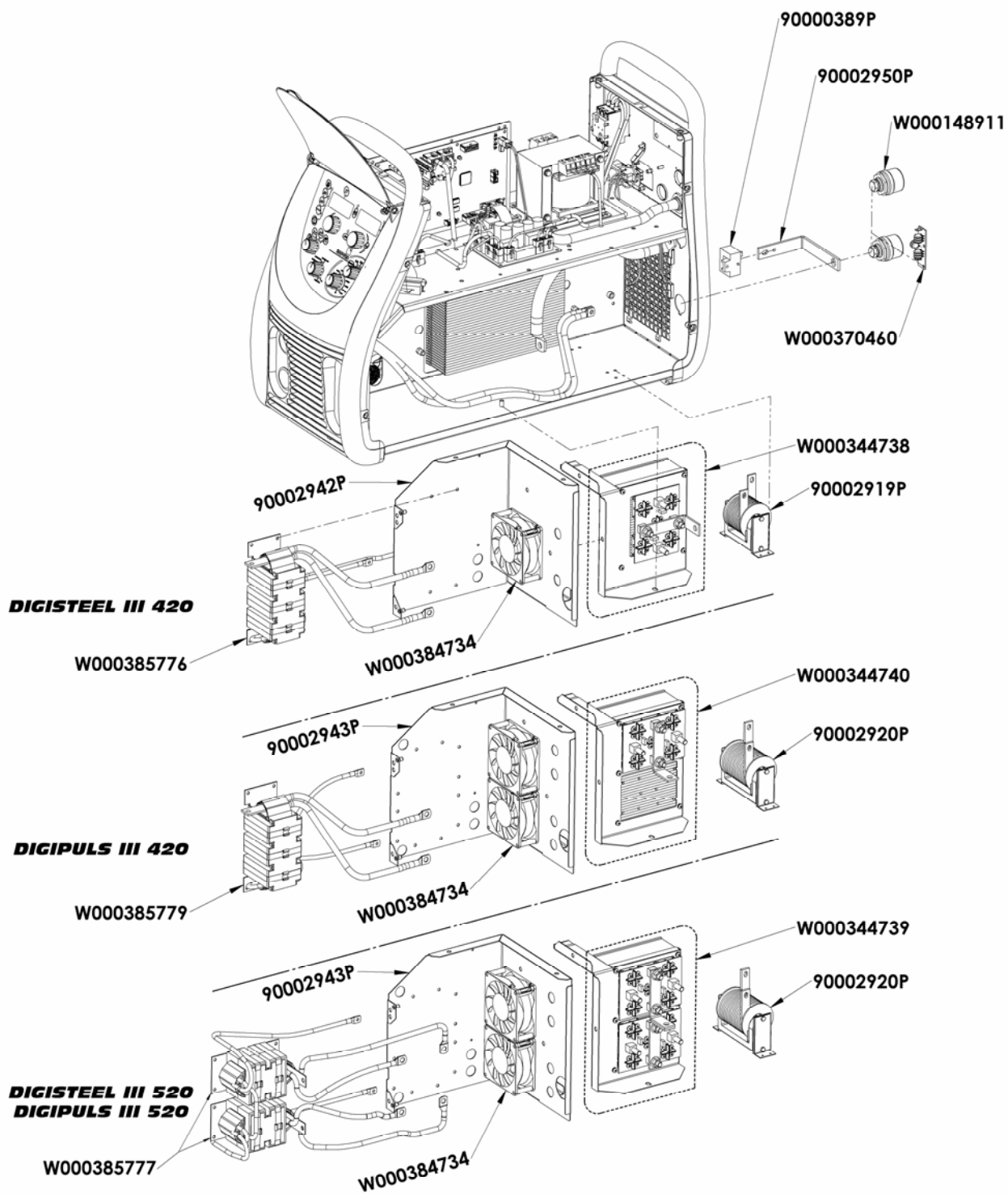
I tubi di contatto sono progettati per durare a lungo. Ciò nonostante, il passaggio del filo causa la loro usura, allargando il foro oltre le tolleranze concesse per garantire il buon contatto tra tubo e filo.

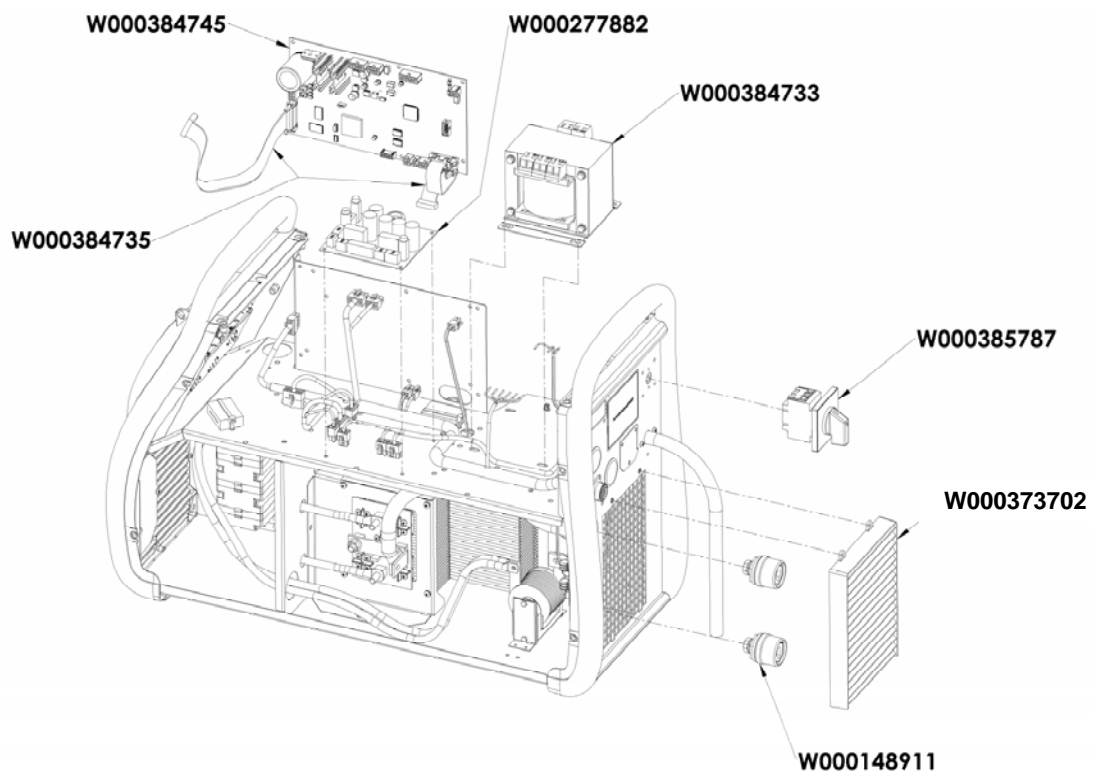
La necessità della loro sostituzione appare evidente quando il processo di trasferimento del metallo risulta instabile; tutte le impostazioni dei parametri di lavoro rimangono altrimenti normali.

6.4. PARTI DI RICAMBIO

Telaio:

Interno ed inverter:





6.5. PROCEDURA DI RISOLUZIONE DEI PROBLEMI

La manutenzione dell'impianto elettrico deve essere eseguita solo da personale qualificato.

CAUSE	SOLUZIONI
-------	-----------

IL GENERATORE E' ACCESO, IL PANNELLO ANTERIORE E' SPENTO

Alimentazione	Controllare la rete elettrica (ad ogni fase).
---------------	---

MESSAGGIO DISPLAY 01 ond

E' stata superata la corrente di innesco massima della fonte di alimentazione	Premere il tasto OK per cancellare l'errore. Se il problema persiste, contattare il Servizio Tecnico.
---	---

MESSAGGIO DISPLAY E02inu

Identificazione limitata della fonte di energia - solo all'avviamento - Errore connettori	Assicurarsi che il cavo a nastro tra la scheda madre dell'inverter e la scheda ciclo siano connesse correttamente.
--	--

MESSAGGIO DISPLAY E07400

Tensione principale inappropriata	Verificare che la tensione della rete elettrica è compresa tra 360V e 440V. Nel caso contrario, farsi controllare il vostro sistema elettrico.
-----------------------------------	--

MESSAGGIO DISPLAY E24SEn

Errore sensore temperatura	Assicurarsi che il connettore B9 sia collegato correttamente alla scheda ciclo (la misurazione della temperatura non viene altrimenti eseguita). Il sensore della temperatura è guasto. Contattare il Servizio Tecnico.
----------------------------	--

MESSAGGIO DISPLAY E25°C

Surriscaldamento fonte di energia Ventilazione	Lasciare raffreddare il generatore, L'errore scomparirà dopo diversi minuti. Assicurarsi che il ventilatore inverter funzioni.
---	--

MESSAGGIO DISPLAY E33 MEM-LIM

Questo messaggio indica che la memoria non è più in funzione

Malf funzionamento durante il backup componente difettoso	Contattare il Servizio Clienti.
---	---------------------------------

MESSAGGIO DISPLAY E34 CFG

Selezione incoerente del parametro. Per ex: regime 4T in auto N1	Applicare una selezione coerente
---	----------------------------------

AFFICHAGE DU MESSAGE E43 brd

Carte électronique en défaut	Contattare il Servizio Clienti.
------------------------------	---------------------------------

MESSAGGIO DISPLAY E50H2o

Assenza unità di raffreddamento	Assicurarsi che l'unità di raffreddamento sia collegata correttamente. Controllare l'unità di raffreddamento (Trasformatore, pompa dell'acqua,...). Se l'unità di raffreddamento non viene utilizzata, disattivare il parametro dal menu IMPOSTAZIONI.
---------------------------------	--

MESSAGGIO DISPLAY E63IMO

Guasto tecnico	Il rullo di pressione è troppo stretto. Il cavo dell'alimentatore filo è bloccato dalle impurità. Il blocco dell'asse bobina dell'alimentatore filo è troppo stretto.
----------------	---

MESSAGGIO DISPLAY E65-Mot

Connettori difettosi	Controllare il corretto collegamento tra il cavo a nastro per encoder ed il motore dell'alimentatore filo. Assicurarsi che il gruppo alimentatore filo non sia bloccato. Controllare il collegamento del motore della fonte di energia. Controllare F2 (6A) sulla scheda elettrica ausiliaria.
Guasto tecnico	
Fonte di energia	

MESSAGGIO DISPLAY E71 -DIA-MET-GAS

Questo parametro attiva / desattiva telecomando o torcia POTENTIOMETRE quando spina fonte di alimentazione	Ruotare il selettore per sbloccare, dopo appeler le service après vente se sempre in predefinito
--	--

MESSAGGIO DISPLAY StEPUL

Inverter non identificato correttamente

Contattare il Servizio Clienti.

MESSAGGIO DISPLAY I-A-MAXX

Raggiunta massima corrente della fonte di energia

Abbassare la velocità del filo o della tensione arco.

MESSAGGIO DISPLAY bPXon

Messaggio che indica che il tasto OK o il pulsante ANNULLA viene tenuto premuto in momenti inaspettati

Premere il tasto per sbloccare, servizio clienti chiamata se sempre in default dopo

MESSAGGIO DISPLAY SPEXX

Avanzamento del filo è sempre attivato involontariamente

Controllare il pulsante di alimentazione del filo non è bloccato
Controllare il collegamento di questo pulsante e scheda elettronica**MESSAGGIO DISPLAY LOA DPC**

Aggiornare il software da PC è attivato involontariamente

Arrestare e avviare la fonte di energia, il servizio clienti chiamata se sempre in dopo predefinito

MESSAGGIO DISPLAY LEVETTA

Questo messaggio compare quando la leva è stata tirata in un momento in cui può accidentalmente avviare un ciclo.

Tirare la leva prima di accendere la fonte di energia o durante l'annullamento di un errore.

RODAGGIO GENERATORE / ASSENZA ALIMENTAZIONE FILO E CONTROLLO GAS

Errore cablaggio

Controllare i collegamenti del circuito elettrico sul lato posteriore del set di saldatura e l'alimentatore filo. Controllare la condizione dei contatti.

**ASSENZA SALDATURA
ASSENZA MESSAGGIO ERRORE**

Il cavo di alimentazione è scollegato

Errore impianto

Controllare il collegamento della treccia di massa e i collegamenti del circuito elettrico (cavi di controllo e di alimentazione).
In modalità saldatura ad elettrodo rivestito controllare la tensione tra i terminali di saldatura e il lato posteriore del generatore. Se la tensione non è presente, contattare il Servizio Tecnico.**QUALITA' SALDATURA**

Errore taratura

Sostituzione torcia e/o treccia di massa o pezzo di lavoro

Saldatura instabile o alimentazione fluttuante

Saldatura instabile o alimentazione fluttuante

Impostazioni regolabili limitate

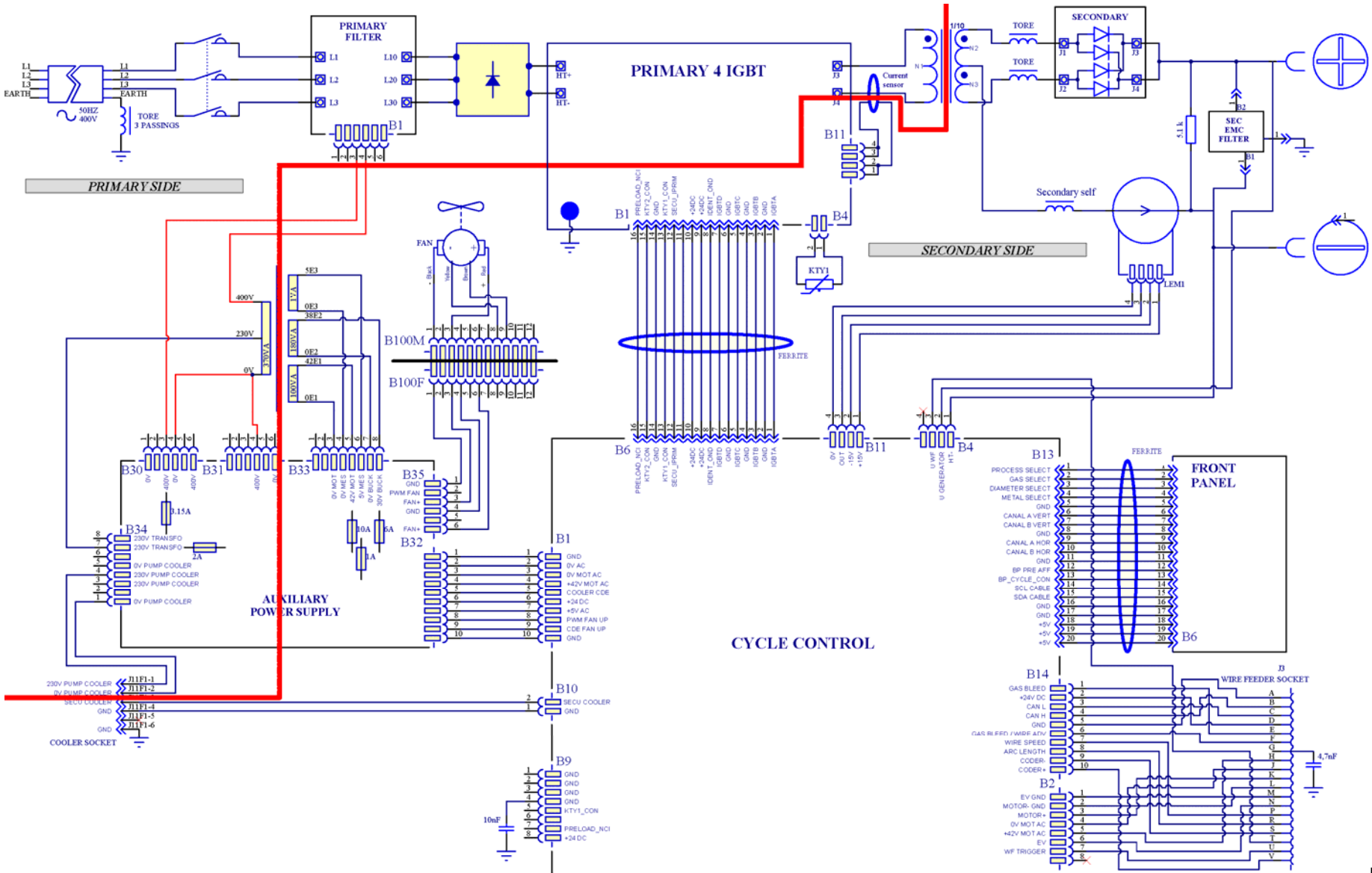
Alimentazione limitata impianto

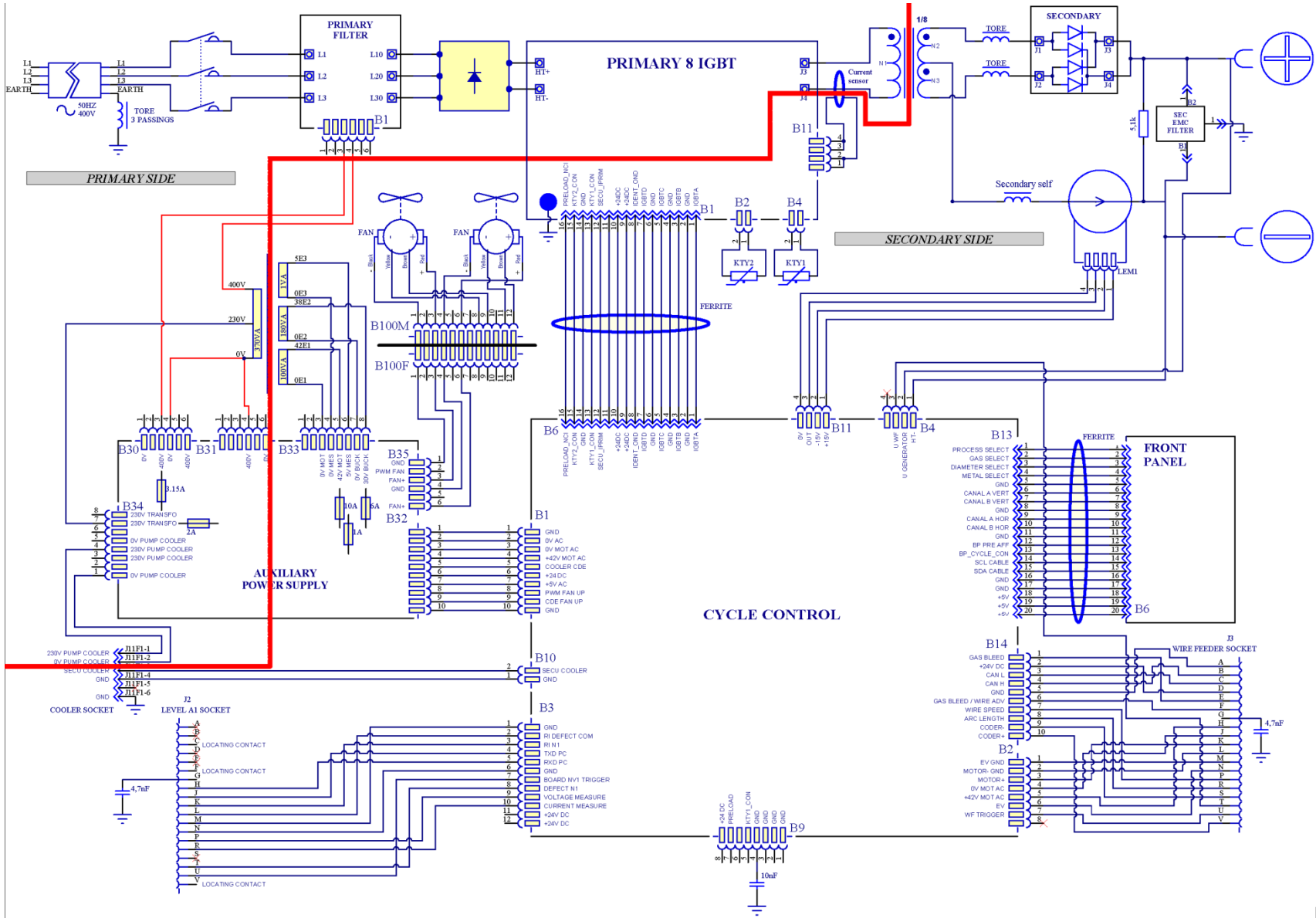
Controllare i parametri impostazione avanzata (RFP = 0).
Eseguire nuovamente la taratura (verificare che i contatti elettrici del circuito di saldatura siano corretti).
Assicurarsi che il sequenziatore non sia attivo. Controllare la riaccensione del sistema e la corrente di discesa.
Selezionare la modalità manuale. I limiti sono imposti dalle regole di compatibilità per la sinergia.
Se si intende utilizzare la modalità RC JOB assicurarsi che il limite di impostazione protetto da password sia disattivato.
Controllare il collegamento corretto delle tre fasi di alimentazione.**ALTRO**Filo bloccato nel bagno di fusione o sul tubo di contatto
Visualizzazione del messaggio **triG** ad accensione impianto.Ottimizzare i parametri di estinzione dell'arco: spray PR e post retract.
Il messaggio **triG** è visualizzato se la levetta è attiva prima di accendere il set di saldatura.

Se il problema persiste, è possibile azzerare i parametri per ritornare alle impostazioni di fabbrica. Per eseguire questa operazione è necessario che l'unità di saldatura sia spenta. Di seguito, selezionare la voce Impostazioni dal selettore posto sul pannello anteriore; tenere premuto il tasto OK durante l'accensione del generatore.

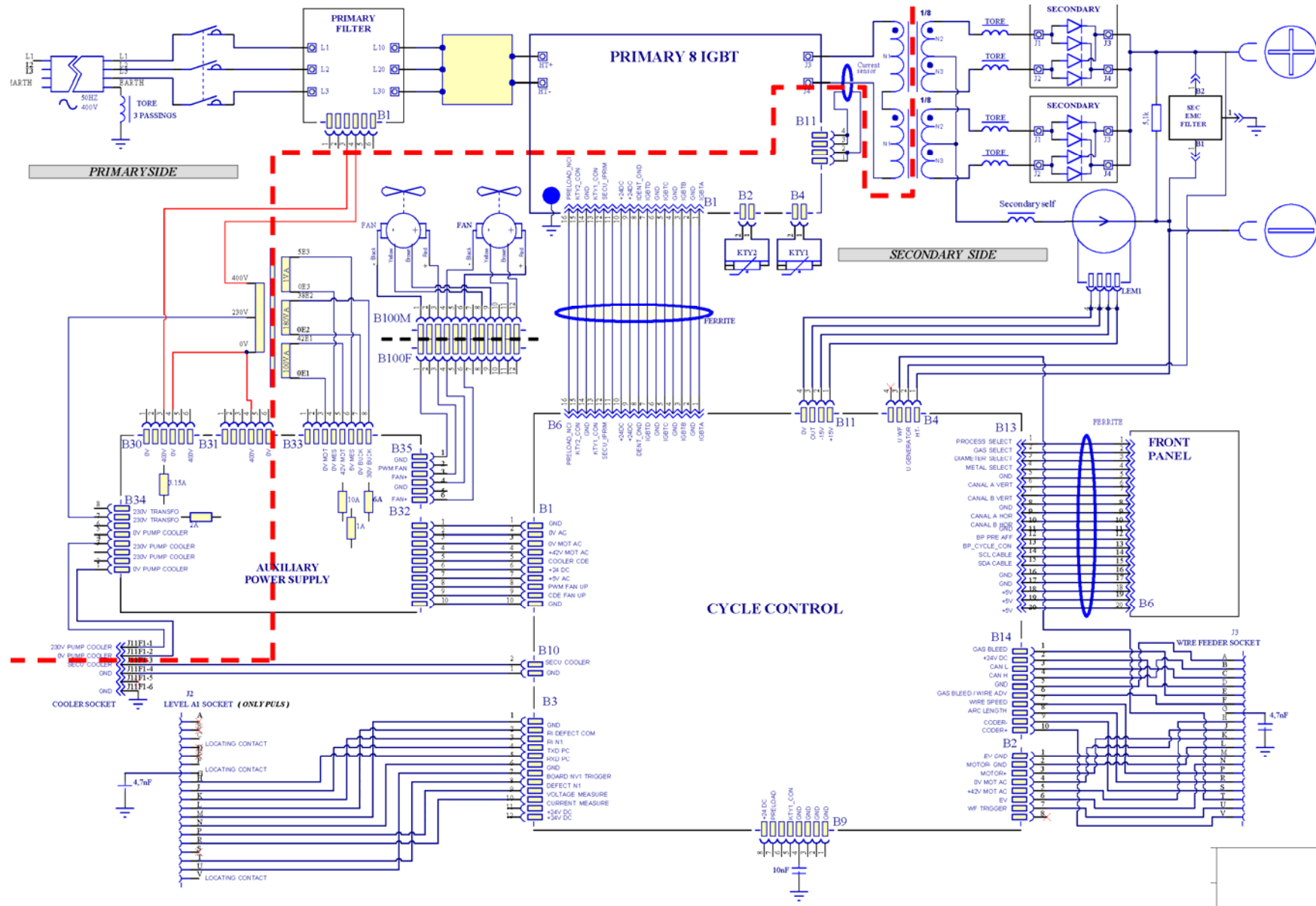
NB, Si consiglia di registrare prima i vostri parametri di lavoro, poiché questa operazione cancellerà tutti i programmi memorizzati. Contattare il Servizio Tecnico qualora l'ANNULLAMENTO dei valori ed il ripristino delle impostazioni di default non risolvessero il problema.

6.6. SCHEMA ELETTRICO





DIGIPULS III 420A



DIGISTEEL III - DIGIPULS III 520A

DIGISTEEL III / DIGIPULS III 420-520

7 - ALLEGATI

7.1. PRESENTAZIONE DEI PROCESSI DI SALDATURA

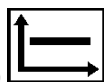
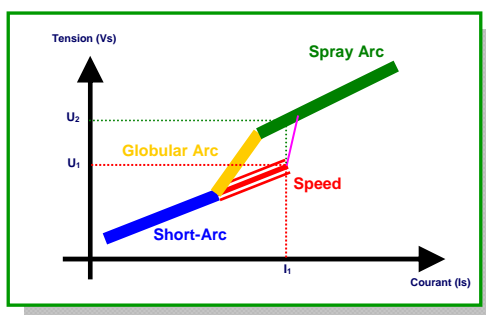
Per i materiali quali carbone e acciaio inox, **DIGISTEEL III 420-520 / DIGIPULS III 420-520** utilizza due tipi di arco corto:

- + Arco corto "morbido" o "liscio",
- + Arco corto "dinamico" o « SSA ».
- + Arco corto HPS

Il pulsato MIG può essere utilizzato con tutti i tipi di metalli (acciaio, acciaio inox e alluminio) con fili pieni e animati.

È particolarmente adatto per acciaio inox e alluminio, è infatti il processo ideale, eliminando spruzzi e permettendo di raggiungere un'eccellente fusione del filo.

- + Caratteristiche dell'arco per la saldatura:



Arco corto "morbido" e "liscio" (SA)

Con l'impiego dell'arco corto "morbido" si rileva **una buona riduzione degli spruzzi** con saldatura per acciai al carbonio, con notevole riduzione dei costi di rifinitura.

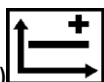
Questo tipo di arco migliora l'aspetto del cordone di saldatura grazie alla migliore azione bagnante nel bagno di fusione.

L'arco corto "morbido" è adatto per la saldatura in tutte le posizioni. Un aumento della velocità dell'alimentatore filo permette di accedere alla modalità arco a spruzzo senza impedire il trasferimento globulare.

Forma d'onda del processo di saldatura ad arco corto



Nota: l'arco corto "morbido" è lievemente più energico dell'arco corto "veloce". Di conseguenza, l'arco corto "veloce" può risultare particolarmente adatto e migliore rispetto all'arco corto "morbido" per la saldatura di pezzi molto sottili (≤ 1 mm) o per segmenti di penetrazione della saldatura.



"Arco Corto Dinamico" o "Arco Corto Veloce" (SSA)

L'Arco Corto Veloce o SSA permette una notevole versatilità per i processi di saldatura che coinvolgono carbone e acciai inox, assorbendo le oscillazioni provocate dai movimenti del saldatore. Ad esempio, in caso di saldatura in posizione difficile, questo tipo di saldatura può aiutare a compensare le differenze nella preparazione dei pezzi da lavorare.

Aumentando la velocità dell'alimentazione filo, la modalità SA passa perfettamente a modalità SSA, evitando la modalità globulare.

Grazie al controllo rapido dell'arco e utilizzando la programmazione appropriata, **DIGISTEEL III 420-520 / DIGIPULS III 420-520** possono estendere artificialmente il valore dell'Arco Corto a correnti più alte, in regime di **arco corto veloce**.

Forma d'onda del processo di saldatura ad arco corto veloce



Eliminando la modalità arco in regime "globulare", la quale si caratterizza per spruzzi pesanti e che si attaccano sulle superfici ed una potenza maggiore rispetto all'arco corto, l'arco corto veloce permette di:

- ⇒ Ridurre la quantità di distorsioni ad alti correnti di saldatura nel tipico regime "globulare" di saldatura,
- ⇒ Ridurre la quantità di spruzzi rispetto alla modalità globulare,
- ⇒ Ottenere un buon aspetto per la saldatura,
- ⇒ Ridurre le emissioni di fumo rispetto alle modalità standard (fino al 25% inferiori),
- ⇒ Raggiungere una buona penetrazione circolare,
- ⇒ Eseguire la saldatura in tutte le posizioni.

Nota: I programmi CO₂ utilizzano automaticamente ed esclusivamente l'arco corto "morbido" e non permettono l'accesso all'arco corto veloce. L'arco corto "dinamico" non è adatto per saldature CO₂, a causa di instabilità dell'arco.



Le SHORT ARC HPS

HPS è un processo di saldatura progettato dalla società LE che fornisce i vantaggi della modalità spray arc e delle modalità short arc. Poiché la tensione di saldatura è inferiore alla modalità spray arc classica, l'energia di saldatura è più bassa e i materiali di saldatura sono meno limitati.

Gestito da una regolazione di comando digitale ben adattata, HPS propone i seguenti vantaggi:

- Ha un arco molto maneggevole nonostante l'utilizzo della modalità di saldatura elevata
- Ha una bacchetta più lunga che permette di saldare nella parte bassa del bisello mentre si prepara l'arco
- Aumenta la penetrazione e riduce oppure elimina il bordo bisellato
- Aumenta la produttività limitando i preparativi ed aumentando la velocità dell'alimentazione del metallo di apporto
- Elimina l'effetto di undercut del materiale base

Per ulteriori informazioni richiedere la brochure HPS alla persona di riferimento per la saldatura.



MIG pulsato STANDARD

Il trasferimento del metallo nell'arco avviene mediante separazione di goccioline causate dalla corrente pulsata. Il microprocessore calcola tutti i parametri del pulsato MIG per ogni velocità del filo, al fine di assicurare una saldatura migliore e dei risultati di perforazione ottimali.

I vantaggi del pulsato Mig sono i seguenti:

- + Riduzione delle distorsioni ad alte correnti di saldatura nella modalità "globulare" usuale ed in modalità arco a spruzzo,
- + Permette di saldare in tutte le posizioni,
- + Fusione eccellente di fili in acciaio inox e in alluminio,
- + Eliminazione quasi completa di spruzzi e scarti di rifinitura lavoro,
- + Buon aspetto del cordone di saldatura,
- + Riduzione delle emissioni di fumi nell'atmosfera con metodi personalizzati e con arco corto veloce piano (fino al 50% inferiore);

I programmi pulsati dei dispositivi **DIGIPULS III 420-520** per acciaio inox eliminano gli spruzzi che possono rimanere sulle superfici sottili a velocità dell'alimentatore filo davvero minime. Questo "pallinato" è causato dallo spruzzaggio lieve del metallo al momento della separazione delle goccioline. L'entità di questo fenomeno dipende dal tipo e dall'origine dei fili.

Tali programmi per acciaio inox sono stati migliorati per eseguire operazioni a basse correnti e aumentano la flessibilità di utilizzo per la saldatura di superfici sottili utilizzando il metodo MIG pulsato.

I risultati eccellenti della saldatura delle superfici sottili in acciaio inox (1 mm) sono ottenuti utilizzando il metodo MIG pulsato con Ø 1 mm di filo in M12 o protezione M11 (media 30A è accettabile).

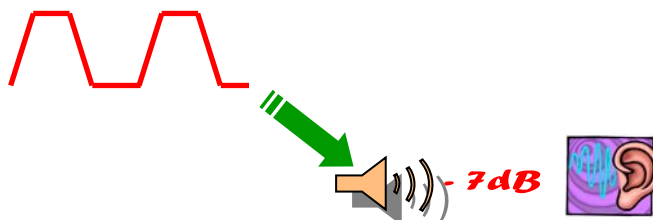
L'aspetto della saldatura utilizzando **DIGIPULS III 420-520** è di una qualità equivalente a quella raggiunta con la saldatura a TIG.

MIG Pulsato rumore basso oSoft Silencio Pulsato (SSP)



Proposto per i Ø 1 e 1,2mm in acciaio o in inox, queste nuove sinergie di pulsato permettono :

- + una notevole riduzione del rumore d'arco
- + un arco più dolce ed energetico con una maggiore attenuazione
- + un bagno più caldo con un cordone perfettamente inumidito



Nota: il pulsato rumore basso permette di saldare in un ambiente maggiormente piacevole. fornisce un'energia più grande al bagno e può pertanto essere facilmente usato orizzontalmente ma è meno maneggevole per quanto riguarda la saldatura in posizione.

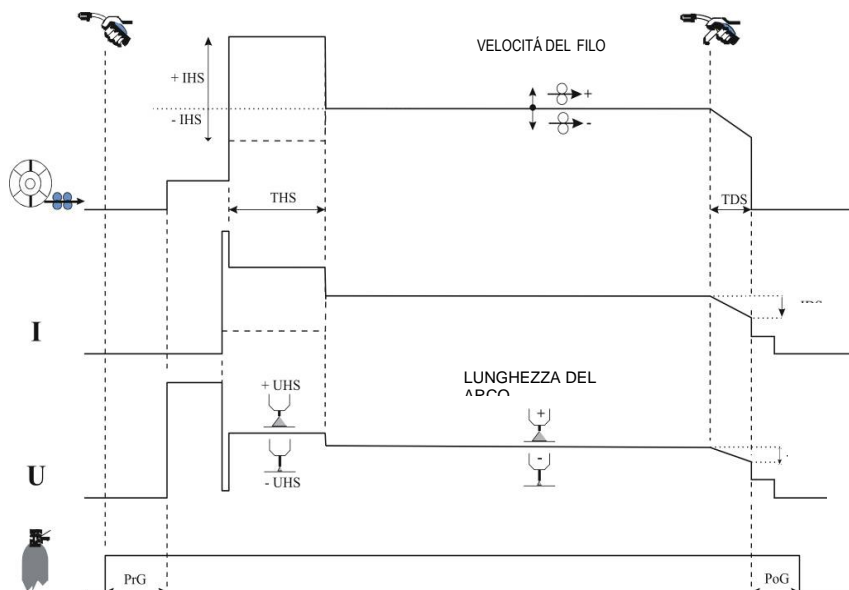
7.2. CICLO AVANZATO DI SALDATURA

2- Fase ciclo

L'alimentazione filo e le operazioni di pre-gas si attivano premendo la levetta e attivando la corrente di saldatura. Rilasciare la levetta causa l'arresto della saldatura.

Il ciclo di riaccensione è confermato dal parametro **tHS OFF** presente nel menu secondario del ciclo delle IMPOSTAZIONI. Tale ciclo permette di avviare la saldatura con una corrente di picco che facilita l'innesco.

La corrente di discesa permette la rifinitura del cordone mediante livello decrescente di saldatura.



4- Fase ciclo

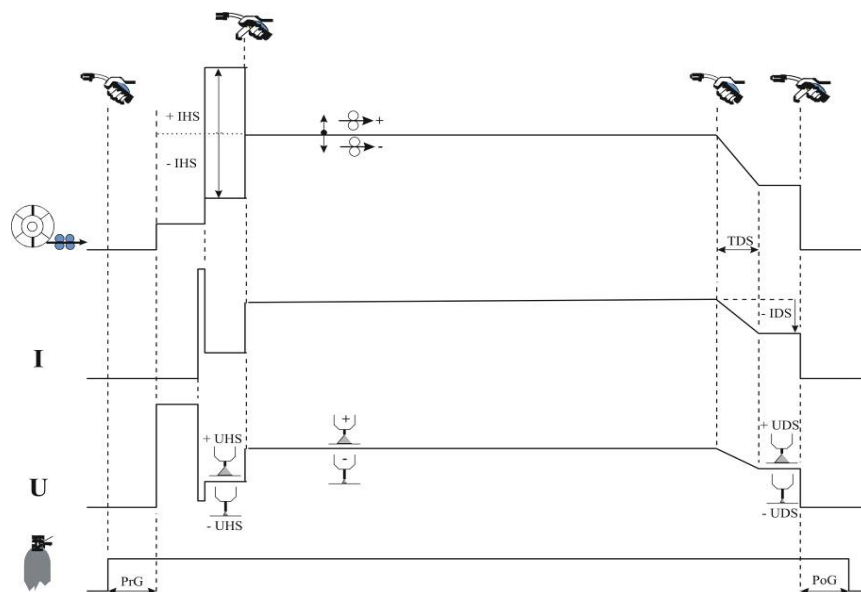
Tirando la levetta si attiva la funzione di pre-gas e di seguito la riaccensione. Rilasciando la levetta si attiva il processo di saldatura.

Qualora la fase di riaccensione (HOT START) non fosse attiva, la saldatura inizierà immediatamente dopo le operazioni di pre-gas. In questo caso al rilascio della levetta (2nd fase) non si rileveranno altri effetti e il ciclo di saldatura continuerà.

Premendo la levetta durante la fase di saldatura (3rd fase) si possono controllare le cadute di tensione e l'anticratere secondo il tempo di rinvio preprogrammato.

Qualora non fosse presente alcuna caduta di tensione, rilasciando la levetta si giungerà immediatamente alle operazioni di post-gas (come programmato nelle impostazioni).

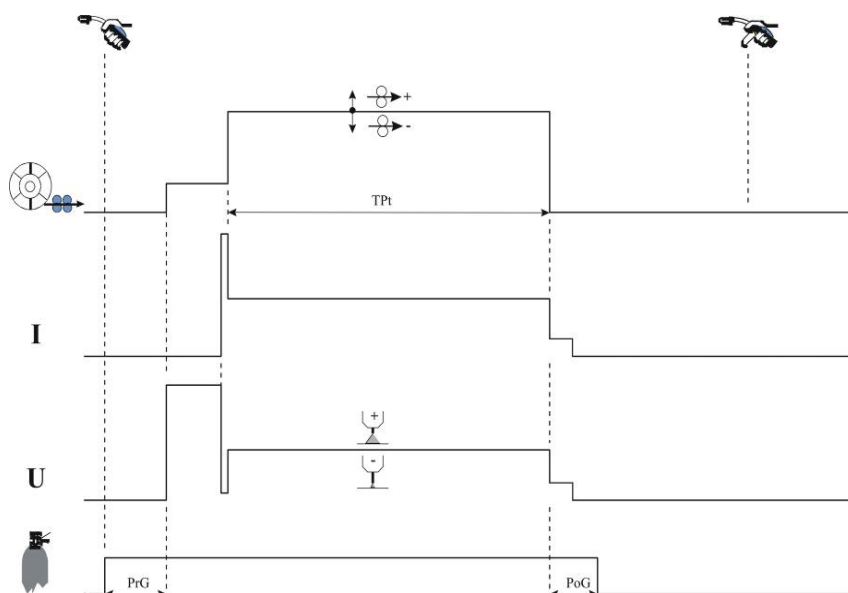
Nella modalità 4-fase (4T), al rilascio della levetta si arresterà la funzione anticratere se il controllo della caduta di tensione è PERMESSO. Se tale controllo è DISABILITATO, il rilascio della levetta comporta l'arresto della funzione di POST-GAS. Le funzioni di riaccensione e di controllo della caduta di tensione non sono disponibili in modalità manuale.



Ciclo saldatura a punti

Premendo la leva viene attivata l'alimentazione del filo, le funzioni di pre-gas e l'attivazione della corrente di saldatura. Il rilascio della levetta comporta l'arresto della saldatura.

La regolazione delle impostazioni relative alla riaccensione, caduta di tensione e sequenziatore sono disattivate. L'operazione si arresta al termine del rinvio della durata di saldatura a punti.



Ciclo sequenziatore

Il sequenziatore è validato dal parametro "tSE **OFF**" nel sottomenu dedicato a questo tipo di ciclo presente nelle IMPOSTAZIONI.

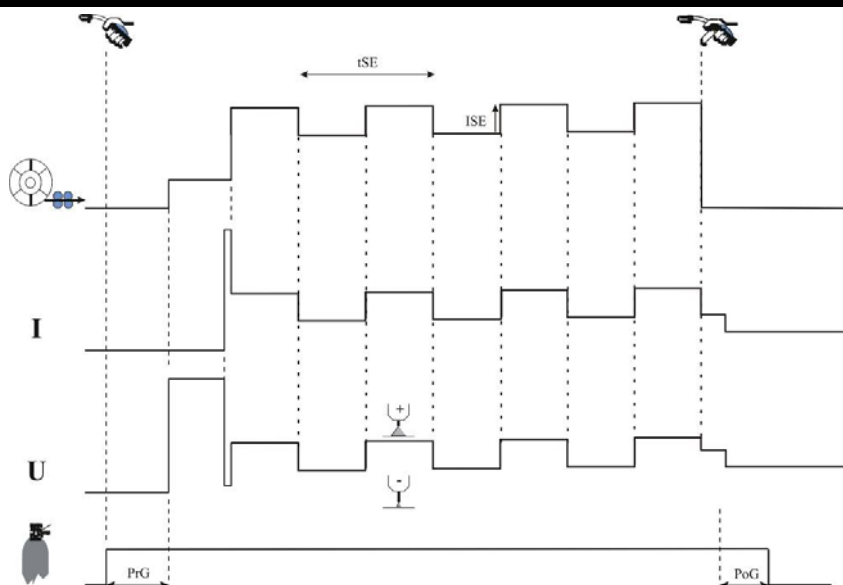
Per accedere:

Il parametro "tSE" è visualizzato nel menu "CICLO",
Impostare questo parametro tra 0 e 9.9 s.

tSE : Durata di 2 plateau se \neq OFF.

ISE : secondo livello di corrente come % di primo livello.

Disponibile solo in modalità sinergia, ciclo 2T cycle, o ciclo 4T.



Impostazione avanzata (parametro regolabile nel menu impostazioni ciclo "rFP)

Nella modalità pulsata, la funzione di impostazione avanzata permette di ottimizzare la posizione di separazione delle goccioline secondo la variazione nella composizione del filo utilizzato e dei gas di saldatura.

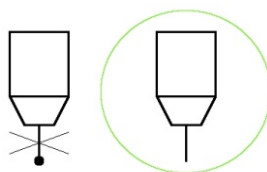
Se vengono rilevati degli spruzzi nell'arco che possono aderire al pezzo di lavoro, l'impostazione avanzata deve essere modificata con valori negativi.

La modalità "liscia" (arco corto), riducendo l'impostazione avanzata, permette di raggiungere una modalità di trasferimento maggiormente dinamica, nonché la possibilità di saldare riducendo l'energia portata al gruppo di saldatura accorciando la lunghezza dell'arco.

Un'impostazione avanzata più elevata comporta un aumento della lunghezza dell'arco. Un arco maggiormente dinamico semplifica le operazioni di saldatura in tutte le posizioni, con lo svantaggio però che si causano più spruzzi.

Spray PR-spray o affilamento

La fine dei cicli di saldatura può essere modificato per evitare la formazione di pallinati al termine del filo. Questa operazione produce un ri-innesco quasi perfetto. La soluzione selezionata consiste nell'iniettare un picco di corrente al termine del ciclo; la parte finale del filo diventa così appuntita.



Nota: Questo picco di corrente non è sempre opportuno. Ad esempio, durante la saldatura di lamiere sottili questo meccanismo può causare un cratere.

7.3. LISTA DELLE SINERGIE

SHORT ARC (SA)						
	0.6 mm	0.8 mm	1 mm	1.2 mm	1.4 mm	1.6 mm
Fe SG 1/2	M21	M21	M21	M21	/	M21
	M14	M14	M14	M14	/	M14
	M20	M20	M20	M20	/	M20
	/	I1	I1	I1	/	I1
CrNi	/	M11	M11	M11	/	M11
	/	M12	M12	M12	/	M12
	/	M12	M12	M12	/	M12
AlSi	/	/	C1	C1	/	C1
Al	/	/	/	C1	/	C1
AlMg 3.5	/	/	C1	C1	/	C1
AlMg 5	/	/	C1	C1	/	C1
Cu Si	/	C1	C1	C1	/	/
Cu Al	/	/	C1	C1	/	/
SD Zn	/	/	M21	M21	/	/
RCW : SD 100	/	/	M21	M21	/	M21
	/	/	I1	I1	/	I1
MCW : SD 200	/	/	M21	M21	M21	M21
BCW : SD 400	/	/	/	M21	/	M21
	/	/	/	I1	/	I1
SPEED SHORT ARC (SSA)						
	0.6 mm	0.8 mm	1 mm	1.2 mm	1.4 mm	1.6 mm
Fe SG 1/2	M21	M21	M21	M21	/	M21
	M14	M14	M14	M14	/	M14
	M20	M20	M20	M20	/	M20
CrNi	/	M12	M12	M12	/	M12
	/	M12	M12	M12	/	M12
	/	M11	M11	M11	/	M11
MCW : SD 200	/	/	/	M21	/	/
HPS						
	0.6 mm	0.8 mm	1 mm	1.2 mm	1.4 mm	1.6 mm
Fe SG 1/2	/	/	M21	M21	/	/
	/	/	M20	M20	/	/
MCW : SD 200	/	/	/	M21	M21	/
	/	/	/	M20	M20	/
	/	/	/	M14	M14	/
PULS						
	0.6 mm	0.8 mm	1 mm	1.2 mm	1.4 mm	1.6 mm
Fe SG 1/2	/	M21	M21	M21	/	M21
	/	M14	M14	M14	/	M14
	/	M20	M20	M20	/	M20
CrNi	/	M11	M11	M11	/	M11
	/	M12	M12	M12	/	M12
	/	M12	M12	M12	/	M12
AlSi	/	/	C1	C1	/	C1
Al	/	/	/	C1	/	C1
AlMg 3.5	/	/	C1	C1	/	C1
AlMg 5	/	/	C1	C1	/	C1
Cu Si	/	/	C1	C1	/	/
Cu Al	/	/	C1	C1	/	/
MCW : SD 200	/	/	/	M21	/	M21
BCW : SD 400	/	/	/	M21	/	/

LOW NOISE PULS						
	0.6 mm	0.8 mm	1 mm	1.2 mm	1.4 mm	1.6 mm
Fe SG 1/2	/	/	M21	M21	/	/
	/	/	M14	M14	/	/
	/	/	M20	M20	/	/
CrNi	/	/	M12	M12	/	M12
	/	/	M12	M12	/	M12
	/	/	M11	M11	/	M11

NOTA: per altre sinergie, si chiede di contattare la nostra agenzia

GAZ TABLE	
Description	Old gaz reference
Ar82/CO ₂ 18	M21
Ar92/CO ₂ 8	M20
Ar/CO ₂ /O ₂	M14
CO ₂	I1
Ar/CO ₂ /H ₂	M11
Ar98/CO ₂ 2	M12
Ar/He/CO ₂	M12
Ar	C1

WIRES TABLE		
Description	Désignation	Reference *
Fe SG ½	Steel solid wire	NERTALIC G2 FILCORD FILCORD C FILCORD D FILCORD E STARMAG
Cu Si	Copper Silicium solid wire	
Cu Al	Copper Aluminum solid wire	FILCORD 46
Al Mg 5	Aluminum solid wire	FILALU Al Mg 5
Al Mg 3.5		FILALU Al Mg 3
Al Si		FILALU Al Si 5
Al		FILALU 99.5 Ti
Cr Ni	Stainless steel solid wire	FILINOX 307 FILINOX 308 Lsi FILINOX 309 Lsi FILINOX 316 Lsi
Sd Zn	Galvanised solid wire	FILCORD Zn
BCW	Basic cored wire	SAFDUAL
MCW	Metallized powder cored wire	STEELCORED
RCW	Rutile cored wire	INOXCORED



SAF-FRO

DIGISTEEL III 420/520

DIGIPULS III 420/520



PT

INSTRUÇÕES DE SEGURANÇA DE FUNCIONAMENTO E MANUTENÇÃO

Cat n° : 8695-1251
Rev : D
Date : 02/2018



Contact: www.saf-fro.com



PT A soldadura a arco e o corte a plasma podem ser perigosos para o operador e para as pessoas que se encontrem nas proximidades da zona de trabalho. Ler o manual de funcionamento.

1 - INFORMAÇÕES GERAIS	4
1.1. APRESENTAÇÃO DA INSTALAÇÃO	4
1.2. COMPOSIÇÃO DO APARELHO DE SOLDADURA.....	4
1.3. ESPECIFICAÇÕES TÉCNICAS DAS FONTES DE ALIMENTAÇÃO	5
2 - COLOCAÇÃO EM SERVIÇO	6
2.1. LIGAÇÕES ELÉTRICAS À REDE	6
2.2. LIGAÇÃO DO DESBOBINADOR.....	6
2.3. PEÇAS DE DESGASTE PARA GUIA DO ARAME	6
2.4. LIGAÇÃO DA TOCHA E ALIMENTADOR DE ARAME	6
2.5. LIGAÇÃO DA ENTRADA DE GÁS	7
2.6. FUNCIONAMENTO	7
3 - INSTRUÇÕES DE UTILIZAÇÃO	8
3.1. FUNÇÕES DO PAINEL FRONTAL	8
3.2. CALIBRAR A FONTE DE ALIMENTAÇÃO	9
3.3. PRÉ-VISUALIZAÇÃO E USO	9
4 - OPÇÕES, ACESSÓRIOS	13
5 - FEIXES E TOCHAS	15
5.1. FEIXES	15
5.2. TOCHAS	15
5.3. TOCHAS PUSH PULL	15
5.4. TOCHAS A POTENTIOMETRO	15
6 - MANUTENÇÃO	16
6.1. GERAL	16
6.2. ROLOS E GUIAS DO ARAME.....	16
6.3. TOCHA.....	16
6.4. PIECES DE RECHANGE	17
6.5. PROCEDIMENTO DE RESOLUÇÃO DE PROBLEMAS	21
6.6. ESQUEMA ELÉTRICO	23
7 - ANEXOS	26
7.1. APRESENTAÇÃO DOS PROCESSO DE SOLDADURA.....	26
7.2. CICLO DE SOLDADURA AVANÇADO	28
7.3. LISTA DE SINERGIAS	31

1 - INFORMAÇÕES GERAIS

1.1. APRESENTAÇÃO DA INSTALAÇÃO

DIGISTEEL III 420-520 / DIGIPULS III 420-520 é uma instalação de soldadura manual que permite:

- + Soldar em MIG-MAG com arco curto, arco curto rápido e HPS, modo pulsado normal et pulsé bas bruit (de acordo com DIGIPULS) com correntes de 15A a 320A ou de 15A a 520A .
- + Alimentação de diferentes tipos de arame
 - ⇒ Aço, aço inoxidável, alumínio e arames especiais
 - ⇒ arames sólidos e revestidos
 - ⇒ Diâmetros de 0.6-0.8-1.0-1.2-1.4-1.6mm
- + Soldadura a elétrodo revestido
- + Processo de cinzelamento (necessário KIT W000010999)
- + Brasagem arame MIG com Alu CUPRO ou silício CUPRO

O aparelho de soldadura é entregue pronto a usar em conjunto com os alimentadores de arame DVU P400 ou DVU P500

1.2. COMPOSIÇÃO DO APARELHO DE SOLDADURA

O aparelho de soldadura é composto por 4 elementos principais:

- 1 - A fonte de alimentação incluindo o cabo principal (5m) e o cabo de massa (5m)
- 2 - Unidade de arrefecimento (opcional)
- 3 - Alimentador de arame
- 4 - O feixe de cabos bi-removível entre o desbobinador e a fonte de corrente
- 5 - Carro universal (opcional)

Cada item é encomendado e expedido separadamente.

As opções encomendadas com o aparelho são expedidas separadamente. Para instalar estas opções, consulte o manual de instruções fornecido com a opção.



ADVERTÊNCIA :

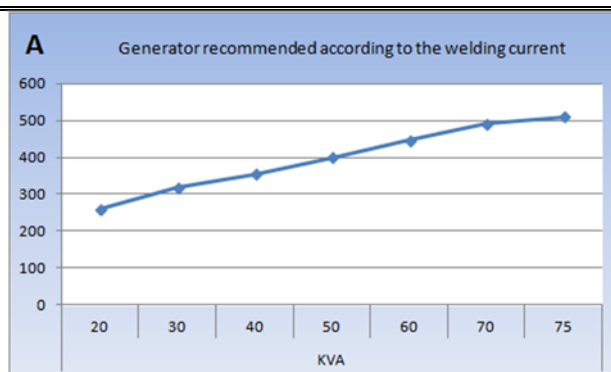
As pegas plásticas não são destinadas a movimentar o equipamento. A estabilidade do equipamento é garantida somente para uma inclinação máxima de 10°.

1.3. ESPECIFICAÇÕES TÉCNICAS DAS FONTES DE ALIMENTAÇÃO

	DIGISTEEL III 420 W000383615	DIGISTEEL III 520 W000383617	DIGIPULS III 420 W000383661	DIGIPULS III 520 W000383662
Lado primário				
Fonte de alimentação principal	400 V	400 V	400 V	400 V
Frequência da fonte de alimentação principal	50/60Hz	50/60Hz	50/60Hz	50/60Hz
Consumo principal efetivo	18,5 A	28,5 A	21,1 A	28,5 A
Consumo principal máximo	26 A	33,9 A	27,1 A	33,9 A
Fusível principal	25 A Gg	32 A Gg	25 A Gg	32 A Gg
Potência aparente máxima	18 KVA	23,8 KVA	18,9 KVA	23,8 KVA
Potência ativa máxima	17,2 KW	22,4 KW	17,7 KW	22,4 KW
Potência ativa em espera (INATIVA)	28 W	29 W	29 W	29 W
Eficácia na corrente máxima (MIG)	87	89	87	89
Fator de potência na corrente máxima (MIG)	0,96	0,94	0,93	0,94
Cos Phi	0,99	0,99	0,99	0,99
Lado secundário				
Tensão em vazio (de acordo com as normas) em MIG	57 V	73 V	73 V	73 V
Máx. Intervalo de soldadura MIG	14,8V / 35 V 15A / 420A	14,8V / 39 V 15A / 500A	14,8V / 35 V 15A / 420A	14,8V / 39 V 15A / 500A
Máximo intervalo de soldadura MMA	15A / 420A	15A / 500A	15A / 420A	15A / 500A
Ciclo de trabalho a 100% em MIG (10 min ciclo a 40°C)	350A	450A	350A	450A
Ciclo de trabalho a 60% em MIG (6 min ciclo a 40°C)	380A	500A	420A	500A
Ciclo de trabalho à corrente máxima a 40°C em MIG	40%	60%	60%	60%
Miscelânea				
Dimensões (CxLxA)	720 x 295 x 525	720 x 295 x 525	720 x 295 x 525	720 x 295 x 525
Peso	34 kg	40 kg	36 kg	40 kg
Temperatura de funcionamento	-10° C / +40° C	-10° C / +40° C	-10° C / +40° C	-10° C / +40° C
Temperatura de armazenamento	-20° C / +55° C	-20° C / +55° C	-20° C / +55° C	-20° C / +55° C
Ligação da tocha	"Européen"	"Européen"	"Européen"	"Européen"
Índice de proteção	IP 23	IP 23	IP 23	IP 23
Classe de isolamento	H	H	H	H
Norma	60974-1 & 60974-10	60974-1 & 60974-10	60974-1 & 60974-10	60974-1 & 60974-10



ADVERTÊNCIA: Esta fonte de alimentação não pode ser utilizada em condições de chuva ou neve. Pode ser armazenada no exterior, mas não está preparada para ser utilizada sem protecção em condições de chuva.



2 - COLOCAÇÃO EM SERVIÇO

2.1. LIGAÇÕES ELÉCTRICAS À REDE

DIGISTEEL III 420-520 / DIGIPULS III 420-520 é um conjunto de soldadura de 400 V 3-fases. Se a alimentação da rede corresponder aos requisitos, ligar uma tomada "trifásica+terra" ao terminal do cabo de alimentação.



ADVERTÊNCIA: Desde que a impedância do sistema de baixa tensão pública no ponto de acoplamento comum seja inferior a :
98,2 mΩ for the DIGISTEEL III 420
28 mΩ or the DIGIPULS III 420
20.6 mΩ or the DIGISTEEL III 520 and DIGIPULS III 520.

Este equipamento está em conformidade com a norma IEC 61000-3-11 e IEC 61000-3-12 e pode ser ligado aos sistemas públicos de baixa tensão. É da responsabilidade do instalador ou o utilizador do equipamento garantir, mediante consulta ao operador da rede de distribuição se necessário, que a impedância do sistema está em conformidade com as restrições de impedância.



ADVERTÊNCIA: Este equipamento de Classe A não se destina a ser utilizado em locais residenciais nos quais a energia eléctrica +e fornecida através de um sistema de distribuição de rede pública de baixa tensão. Podem existir potenciais dificuldades em assegurar a compatibilidade electromagnética nos locais referidos, devido a interferências por radiação e condução.

2.2. LIGAÇÃO DO DESBOBINADOR



ADVERTÊNCIA:
 A efectuar com o gerador desligado.

Ligar a cablagem ao alimentador de arame enquanto estiver a usar as localizações adequadas dos conectores.

Ligar a outra extremidade do feixe ao gerador.

Ligar a tocha de soldadura MIG ao enrolador

2.3. PEÇAS DE DESGASTE PARA GUIA DO ARAME

		ENTRADA GUIA DO ARAME	ADAPTADOR	ROLO	GUIA DO ARAME INTERMÉDIA	SAÍDA GUIA DO ARAME	
AÇO AÇO Inoxidável	0,6 / 0,8	Plástico W000277333	W000277338	W000305125	W000277334	W000277335	
	0,9 / 1,2			W000277008		W000277335	W000277336
	1,0 / 1,2			W000267599			
	1,2 / 1,6			W000305126			
	1,4 / 1,6			W000277009		W000277336	
FLUXO- ARAME REVESTIDO	0,9 / 1,2	W000277333	W000277338	W000277010	W000277334	W000277335	
	1,2 / 1,6			W000266330		W000277335	W000277336
	1,4 / 1,6			W000277011			
LIGAS LEVES	1,0 / 1,2	ALUKIT W000277622					
	1,2 / 1,6	ALUKIT W000277622					

Uso possível dos rolos de aço ALU com arame em aço e arame revestido.

Montagem do rolo

A montagem dos rolos na cobertura exige um adaptador ref. W000277338.

2.4. LIGAÇÃO DA TOCHA E ALIMENTADOR DE ARAME

A tocha de soldadura MIG é ligada na frente do alimentador de arame, após ser assegurado que esta está bem equipada com as peças de desgaste correspondentes ao arame a ser usado para a soldadura.

Para este efeito, deve consultar as instruções relativas à tocha.

Se utilizar uma tocha de ÁGUA, não se esqueça de ligar o seu Grupo de refrigeração na parte de trás do gerador, bem como a cablagem "água".



ATENÇÃO:
 O funcionamento em vazio do Grupo de Refrigeração não ligado a uma tocha pode danificar o mesmo.

2.5. LIGAÇÃO DA ENTRADA DE GÁS

A tomada de gás está posicionada na parte de trás da fonte de alimentação. Basta ligá-lo à saída do regulador de pressão na botija de gás.

- + Colocar a botija de gás no carro de transporte na parte de trás do gerador e fixe a botija com uma faixa.
- + Abrir ligeiramente a válvula da botija para libertar eventualmente as impurezas e voltar a fechá-la.
- + Montar o regulador de pressão/medidor de fluxo.
- + Abrir a garrafa de gás.

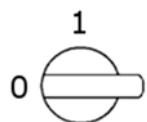
Durante a soldadura, o fluxo de gás deve estar entre 10 e 20l/min.



ADVERTÊNCIA:

Assegurar que a garrafa de gás está devidamente fixada no carro de transporte colocando a cinta de segurança.

2.6. FUNCIONAMENTO



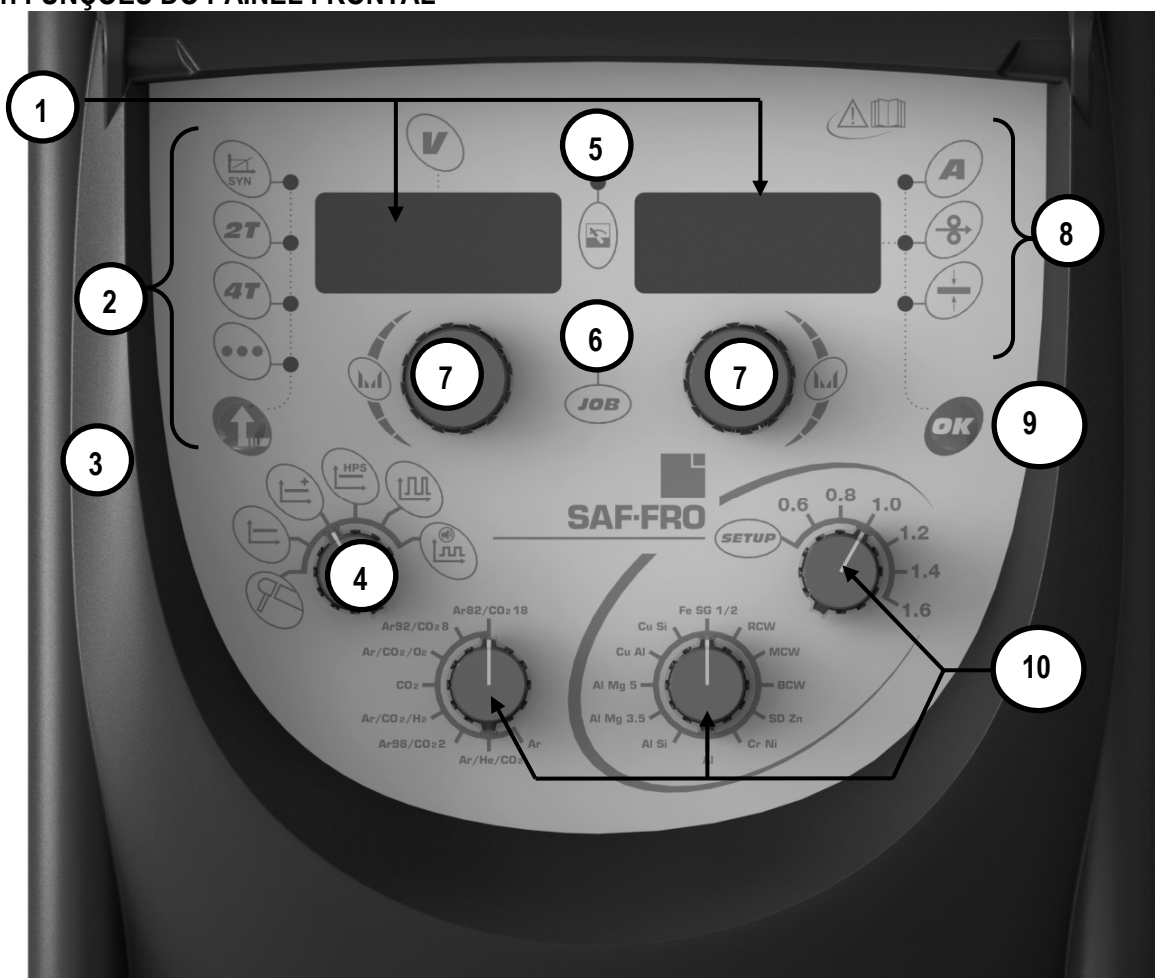
O interruptor geral está localizado na parte de trás da fonte de alimentação.
Rodar este interruptor para ligar a máquina.

Nota: Este interruptor nunca deve ser rodado durante a soldadura.

Em cada arranque, a fonte de alimentação exibe a versão do software e alimentação reconhecida.

3 - INSTRUÇÕES DE UTILIZAÇÃO

3.1. FUNÇÕES DO PAINEL FRONTAL



Visor esquerdo: Tensão, Visor direito: Corrente/velocidade do arame/espessura do arame

1

Visor para seleção do modo de soldadura

2

Botão seletor para modo de soldadura

3

Seletor muda para processo de soldadura

4

Indicador de medição de valores exibidos (dados de pré-soldadura, soldadura e pós-soldadura)

5

Indicador led para modo de programa

6

Codificador de configuração e navegação

7

Indicador para corrente, velocidade do arame, espessura

8

Botão seletor para pré-exibir e gestão de programa

9

Seletor muda para tipo de gás, diâmetro do arame e tipo de arame de soldadura

10

3.2. CALIBRAR A FONTE DE ALIMENTAÇÃO



ADVERTÊNCIA:

Quando arrancar pela primeira vez, a calibração é um passo inevitável para obter soldadura de qualidade. Se a polaridade for invertida, este passo deve ser repetido.

Passo 1: Rodar o interruptor do diâmetro do arame para a posição CONFIGURAR e premir o botão Ok para aceder ao ecrã Configurar **CO**nFIG.

Passo 2: Selecionar o parâmetro **CaL** com o codificador do lado esquerdo e selecionar **Ligar** no codificador do lado direito.

Passo 3: Premir o botão OK no painel frontal. O ecrã da unidade indica **triGEr**.

Passo 4: Retirar o bico da tocha.

Passo 5: Corto arame.

Passo 6: Colocar a peça em contacto com o tubo de contacto.

Passo 7: Premir o gatilho.

Passo 8: O ecrã indicará o valor de L (indutância do cabo).

Passo 9: Colocar o valor R usando o codificador do lado direito (resistência do cabo).

Passo 10: Sair de Configurar.

3.3. PRÉ-VISUALIZAÇÃO E USO

3.3.1. Modo Sinérgico

Os valores de corrente, voltagem e espessura listados para cada definição de velocidade do arame são fornecidos apenas com a finalidade de informação. Correspondem a medições sob determinadas condições de funcionamento, tal como posição ou comprimento da secção terminal (soldadura em posição plana, soldadura topo a topo).

As unidades de corrente/tensão exibidas correspondem aos valores médios medidos, e podem diferir dos valores teóricos.

Indicador led para modo de programa:

⇒ DESLIGADO: ecrã de instruções da pré-soldadura.

⇒ LIGADO: Ecrã de medições (valores médios).

⇒ A piscar: Medições durante a soldadura.

Seleção do arame, diâmetro, gás, processo de soldadura

Selecionar o tipo de arame, o diâmetro do arame, o gás de soldadura utilizado e o processo de soldadura rodando o interruptor apropriado.

A selecção do material determinará os valores disponíveis para diâmetro, o gás e o processos.

Se não houver sinergia, a fonte de alimentação exibe "nOt SYn", "GAS SYn", "DIA SYn" OF "PrO SYn"..

Seleção de ecrã de modo de soldadura, comprimento do arco e pré-soldadura

Selecionar o modo de soldadura 2T, 4T, por ponto, sinérgico e manual premindo o botão retorno (3). O comprimento do arco pode ser ajustado com o codificador esquerdo (7) e o ajustamento do visor de pré-soldadura é realizado com o codificador direito (8). A seleção de pré-soldadura predefinida é realizada premindo o botão OK. (10)

3.3.2. Modo manual

Este é o modo livre da máquina de soldar. Os parâmetros ajustáveis são velocidade do arame, tensão do arco e definição fina.

Neste modo, apenas é exibido o valor da velocidade do arame.

3.3.3. Modo CONFIGURAÇÃO

Aceder à CONFIGURAÇÃO:

A configuração está apenas acessível sem soldadura a decorrer através do painel frontal na 1ª posição do comutador de "diâmetro do fio".

Tem dois menus suspensos:

'CICLO' → Definição para as fases do ciclo. Consultar o parágrafo 6.2 para detalhes

'COnFIG' → Configuração da fonte de alimentação

Configurar a CONFIGURAÇÃO:

Na posição CONFIGURAÇÃO, selecionar CICLO ou COnFIG premindo o botão OK.

Rodar o codificador à **esquerda** para fazer correr os parâmetros disponíveis.

Rodar o codificador à **direita** para definir o valor.

Não há início de soldadura. Todas as alterações são guardadas ao sair do menu CONFIGURAÇÃO.

Lista dos parâmetros acessíveis no menu COnFIG				
Ecrã	Ecrã direito	Passo	Predefinido	Descrição

esquerdo				
GrE	Ligado - DESLIGADO - Aut		Aut	Configuração da Unidade de Refrigeração de Água. 3 estados possíveis: - Ligado: Forçado ligado, refrigerador a água está sempre ativada - ESLIGADO : Forçado desligado, refrigerador a água está sempre desativada - Aut : Modo automático, refrigerador a água funciona quando necessário
ScU	nc - no - DESLIGADO		DESLIGADO	Segurança da refrigeração a água. 3 estados possíveis: - nc : Normalmente fechado, - no : Normalmente aberto, - ESLIGADO: Desativar
Unit	US - CE		CE	Unidade exibida para velocidade e espessura do fio: - US: unidade de polegadas - CE: unidade de medição
CPt	DESLIGADO - 0,01 - 1,00	0,01 s	0,30	Tempo de retenção do gatilho de modo a chamar o programa (Apenas em modo de soldadura 4T). Pode ser usado apenas para programa de soldadura de 50 a 99.
LAn	Fr,dE,En,It,ES,PO, ,nL,SU,Pt,rO,dA, nO,Fi,Sh,CS,Hu		En	Escolha o idioma exibido somente se o RC-JOB ou o alimentador de fio P500 estiverem conectados Francês (Fr) - German (DE) - Inglês (En) - Italiano (It) - Espanhol (ES) - Polês (PO) - Holandês (nL) - Sueco (SU) - Português (Pt) - Romeno (RO) - Dinamarquês (DA) - Norueguês (NO) - Finlandês (Fi) - Slováquia (Sh) - Checa (CS) - Húngaro (Hu)
PGM	no - sIM		no	Modo de gestão de programa Ativado / Desativado
PGA	DESLIGADO - ;000 - 020 %	1 %	DESLIGADO	Usar para intervalo de ajustamento disponível dos seguintes parâmetros: velocidade do arame, tensão do arco, dinâmicas do arco, definição fina do ponto. Usar apenas quando a gestão do programa está ativado e os programas estão bloqueados.
CAL	DESLIGADO - ligado		DESLIGADO	Calibração da tocha e cabo de massa
AdJ	Loc -- rC		Loc	Selecionar ajuste Velocidade do fio e tensão do arco: - Loc: Local na fonte de energia - rC: controle remoto ou potenciômetro da tocha
L	0 - 50	1 uH	14	Definição de cabo bloqueador / visor
r	0 - 50	1 Ω	8	Definição de cabo resistor / visor
SoF	no - yES		no	Modo de atualização de software.
FAC	no - yES		no	Reiniciar definições de fábrica. Premindo SiM fará um reinício dos parâmetros para as predefinições de fábrica quando sair do menu CONFIGURAÇÃO.

Lista dos parâmetros acessíveis no menu CICLO

Ecrã esquerdo	Ecrã direito	Passo	Predefinido	Descrição
tPt	00,5 - 10,0	0,1 s	0,5	Tempo de ponto. No modo Ponto e no modo Manual, as definições de Arranque a Quente, de Curva descendente e do Sequenciador não podem ser alterados
PrG	00,0 - 10,0	0,1 s	0,5	Tempo de pré-gás
tHS	DESLIGADO - 00,1 - 10,0	0,1 s	0,1	Tempo de Arranque a Quente
IHS	-- 70 - 70	1 %	30	Corrente de Arranque a Quente (velocidade do arame). X% ± a corrente de soldadura
UHS	-- 70 - 70	1 %	0	Tensão de Arranque a Quente X% ± a tensão do arco
dYn	--10 + 10 --20 - 20	1 %	0	Definição fina em arco curto
rFP	--10 + 10 --20 + 20	1 %	0	Definição fina em ponto
dyA	00 - 100	1	50	Dinâmica de estrangulamento do arco no eléctrodo
tSE	OFF - 0.01 - 2.50	0,01 s	OFF	Tempo de sequência (Sequenciador, apenas em modo sinérgico)
ISE	--90 + 90	1 %	30	Nível de corrente de sequenciador. X% ± a corrente de soldadura
dSt	DESLIGADO - 00,1 - 05,0	0,1 s	DESLIGADO	Tempo de Curva descendente
DdSI	-- 70 - 00,0	1 %	-- 30	Corrente de curva descendente (velocidade do arame). X% ± a corrente de soldadura
dSU	-- 70 - 70	1 %	0	Tensão da curva descendente. X% ± a tensão do arco
Pr_	0,00 - 0,20	0,01 s	0,05	Tempo anti aderência
PrS	Nno - sIM		no	Ativação Pr-pulverizar
PoG	00,0 - 10,0	0,05 s	0,05	Tempo de pós-gás

NOTA: O DIGISTEEL III 420-520 / DIGIPULS III 420-520 permite bloquear o menu de programa. Esta função está disponível no ecrã do programa com o código do parâmetro. A chave de bloqueio inserida tem de ser escrita de forma a desativar o bloqueio da função.

3.3.4. Chamada de programa com o gatilho

Esta função permite encandear de 2 a 10 programas. Esta função está disponível apenas no modo de soldadura 4T e o modo de gestão de programa tem de ser ativado

Encadeamento de programas:

A chamada do programa da função funciona com programas de P50 a P99 por dez.

⇒ P50→P59 ; P60→P69 ; P70→P79 ; P80→P89 ; P90→P99

Selecionar o primeiro programa com o qual quer começar a sua cadeia. Depois durante a soldadura, de cada vez que empurrar o gatilho, o programa mudará. Para cadeias com menos de dez programas, no programa a seguir ao fim do ciclo desejado colocar um parâmetro diferente (Como sinergia ou ciclo de soldadura).

É possível configurar o tempo de impulso do gatilho para detetar a mudança da cadeia de programas: CONFIGURAÇÃO → CPT → põe valor de 1 a 100 → sair de CONFIGURAÇÃO

Exemplo: Criar uma lista de programas de P50 a P55 (6 programas).

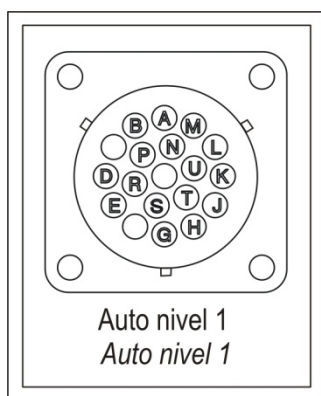
- 1) No programa P56, pôr um ciclo de soldadura ou sinergia diferente de P55 de modo a terminar a cadeia
- 2) Selecionar o programa P50 (Primeiro programa para início da soldadura)
- 3) Iniciar a soldadura
- 4) De cada vez que o gatilho for empurrado, a fonte de alimentação mudará o programa até P55. Quando a cadeia termina, a fonte de alimentação reinicia no P50.

3.3.5. Automatização

a) Os DIGIPULS III podem ser automatizados de uma maneira extremamente simples. Basta ligar a tomada J2 fornecida na parte de trás do posto. As referências de fio são: NÍVEL N1

<input type="checkbox"/> K de J2	Saída contacto Intensidade RI: contacto seco
<input type="checkbox"/> L de J2	Saída de contacto Intensidade comum RI: contacto seco
<input type="checkbox"/> T de J2	Falha
<input type="checkbox"/> L de J2	Falha comum
<input type="checkbox"/> U de J2	Entrada do gatilho (+): a ligar a um contacto seco
<input type="checkbox"/> M de J2	Entrada do gatilho (-): a ligar a um contacto seco

Para validar o fecho do contacto RI, é absolutamente necessário posicionar "Aut" no submenu "Bloqueio de parâmetros" do SETUP no valor Dep. O atraso do fecho do contacto é regulado pelo valor "Dep" no submenu "Fase" da configuração



Nota : por defeito, a função seleccionada é o modo manual

O tipo de utilização seleccionada é visualizado pelo visor da direita.

SELECÇÃO DO MODO AUTOMÁTICO COM COMANDO À DISTÂNCIA POR VALOR ANALÓGICO

1. Posicionar o comutador no painel frontal do gerador em "SEt –UP".
2. Por acção no botão "OK", seleccionar a função "Con FIG".
3. Posicionar o selector da esquerda para obter a função "Aut" à esquerda.

4. Posicionar o selector da direita para obter a função "n1" à direita.

4 - OPÇÕES, ACESSÓRIOS

4.1 – DESBOBINADOR DVU P400, ref. W000275266



4.2 – DESBOBINADOR DVU P500, ref. W000275267



4.3 - SISTEMA DA UNIDADE DE ARREFECIMENTO, REF. W000273516



4.4 - COMMANDE A DISTANCE RC JOB, Réf. W000273134



4.5 - CONTROLO REMOTO 2 POTENTIOMETRES, Ref. W000275904



Funções do controlo remoto:

Ajustar a velocidade do arame durante a soldadura e quando não está a soldar

Ajustar a tensão do arco durante a soldadura e quando não está a soldar

4.6 – DUST FILTER, Réf. W000373703

4.7 - CARRO NOVA VERSÃO, Ref. W000383000



Permite mover facilmente a fonte de alimentação em ambiente oficial.

4.8 - OPTION CHARIOT CHANTIER, Réf. W000372274

4.9 - OPTION SECURITE DE DEBIT, Réf. W000376539

4.10 - OPTION PUSH PULL, Réf. W000275907

4.11 - OPTION FLOW METER, Réf. W000376539

5 - FEIXES E TOCHAS

5.1. FEIXES

Feixe AR 2 M – 70 MM ²	réf. W000275894
Feixe AR 5 M – 70 MM ²	réf. W000275895
Feixe AR 10 M – 70 MM ²	réf. W000275896
Feixe AR 15 M – 70 MM ²	réf. W000275897
Feixe AR 25 M – 70 MM ² (sur cde)	réf. W000276901
Feixe AR 30 M – 70 MM ² (sur cde)	réf. W000371246
Feixe AR 40 M – 70 MM ² (sur cde)	réf. W000371245
Feixe AR 50 M – 70 MM ² (sur cde)	réf. W000371244

Feixe ÀGUA 2 M – 95 MM ²	réf. W000275898
Feixe ÀGUA 5 M – 95 MM ²	réf. W000275899
Feixe ÀGUA 10 M – 95 MM ²	réf. W000275900
Feixe ÀGUA 15 M – 95 MM ²	réf. W000275901
Feixe ÀGUA 25 M – 95 MM ² (sur cde)	réf. W000276902
Feixe ÀGUA 50 M – 95 MM ²	Nous consulter

Feixe ALUMINIO ÀGUA 2 M – 95 MM ²	réf. W000371044
Feixe ALUMINIO ÀGUA 5 M – 95 MM ²	réf. W000371045
Feixe ALUMINIO ÀGUA 10 M – 95 MM ²	réf. W000371175
Feixe ALUMINIO ÀGUA 15 M – 95 MM ²	réf. W000371174
Feixe ALUMINIO ÀGUA 25 M – 95 MM ²	réf. W000371239

5.2. TOCHAS

PROMIG NG 341 - 3 M	réf. W000345066
PROMIG NG 341 - 4 M	réf. W000345067
PROMIG NG 341 - 5 M	réf. W000345068

PROMIG NG 341 W - 3 M	réf. W000345069
PROMIG NG 341 W - 4 M	réf. W000345070
PROMIG NG 341 W - 5 M	réf. W000345071

PROMIG NG 441 - 3 M	réf. W000345072
PROMIG NG 441 - 4 M	réf. W000345073
PROMIG NG 441 - 5 M	réf. W000345074

PROMIG NG 441W - 3 M	réf. W000345075
PROMIG NG 441W - 4 M	réf. W000345076
PROMIG NG 441W - 5 M	réf. W000345077

PROMIG NG 450W - 3 M	réf. W000274865
PROMIG NG 450W - 4 M	réf. W000274866
PROMIG NG 450W - 5 M	réf. W000274867

5.3. TOCHAS PUSH PULL

PROMIG PP 341 8M	réf. W000385860
PROMIG PP 441W 8M	réf. W000385862
PROMIG PP 341 8M AVEC POTENTIOMETRO	réf. W000385861
PROMIG PP 441W 8M AVEC POTENTIOMETRO	réf. W000385863

5.4. TOCHAS A POTENTIOMETRO

DIGITORCH P 341 - 4M	réf. W000345014
DIGITORCH P 341W - 4M	réf. W000345016
DIGITORCH P 441W - 4M	réf. W000345018

Outre les fonctions d'une torche standard, elle permet : de régler la vitesse fil et la longueur d'arc hors et en soudage

6 - MANUTENÇÃO

6.1. GERAL

Duas vezes por ano, dependendo do uso do aparelho, inspecionar o seguinte:

- ⇒ limpeza da fonte de alimentação
- ⇒ ligações elétricas e de gás

ADVERTÊNCIA:

Nunca levar a efeito a limpeza ou trabalhos de reparação no interior do aparelho antes de se certificar se a unidade foi completamente desligada da rede.

Desmontar os painéis do gerador e use aspiração para remover a poeira e as partículas de metal acumulado entre os circuitos magnéticos e as bobines do transformador.

O trabalho deve ser executado usando uma ponta de plástico para evitar danos no isolamento das bobines.

Em cada arranque do equipamento de soldar e antes de chamar o Apoio ao Cliente para reparação técnica, verificar se:

- ⇒ Os terminais de alimentação estão incorrectamente apertados.
- ⇒ A voltagem de rede selecionada é a correta.
- ⇒ Existe um fluxo de gás correto.
- ⇒ Tipo e diâmetro do arame. Condição da tocha.



DUAS VEZES POR ANO

- ⇒ Efectuar a calibração da corrente e da voltagem configuradas.
- ⇒ Verificar as ligações eléctricas de alimentação, circuitos de controlo e de alimentação.
- ⇒ Verificar o estado do isolamento, cabos, ligações e condutas.
- ⇒ Realizar uma limpeza a ar comprimido



6.2. ROLOS E GUIAS DO ARAME

Em condições normais de utilização, estes acessórios têm uma longa duração antes que seja necessário efectuar substituições.

No entanto, por vezes, após ser usado durante um período de tempo, pode observar-se um desgaste excessivo ou entupimento devido à aderência de resíduos.

Para minimizar tais efeitos prejudiciais, assegure que a placa do alimentador de arame se mantém limpa.

A unidade redutora do motor não necessita de manutenção.

6.3. TOCHA

Verificar regularmente o aperto correcto das ligações da alimentação de corrente da soldadura. As restrições mecânicas relacionadas com os choques térmicos tendem a soltar algumas peças da tocha, nomeadamente:

- ⇒ O tubo de contacto
- ⇒ O cabo coaxial
- ⇒ O bico de soldadura
- ⇒ O conector rápido

Verificar o estado da junta de guia de entrada do gás.

Remover os resíduos entre o tubo de contacto e a ponteira e entre a ponteira e a franja.

Os resíduos são fáceis de retirar se o procedimento for repetido a intervalos curtos.

Não use ferramentas rijas que podem riscar a superfícies destas peças e causar a aderência posterior de resíduos.

- ⇒ SPRAYMIG SIB, W000011093
- ⇒ SPRAYMIG H20, W000011001

Sobre a conduta de desgaste após cada passagem dum bobine de arame. Leve este procedimento a efeito na parte lateral do conector de ligação rápida da tocha.

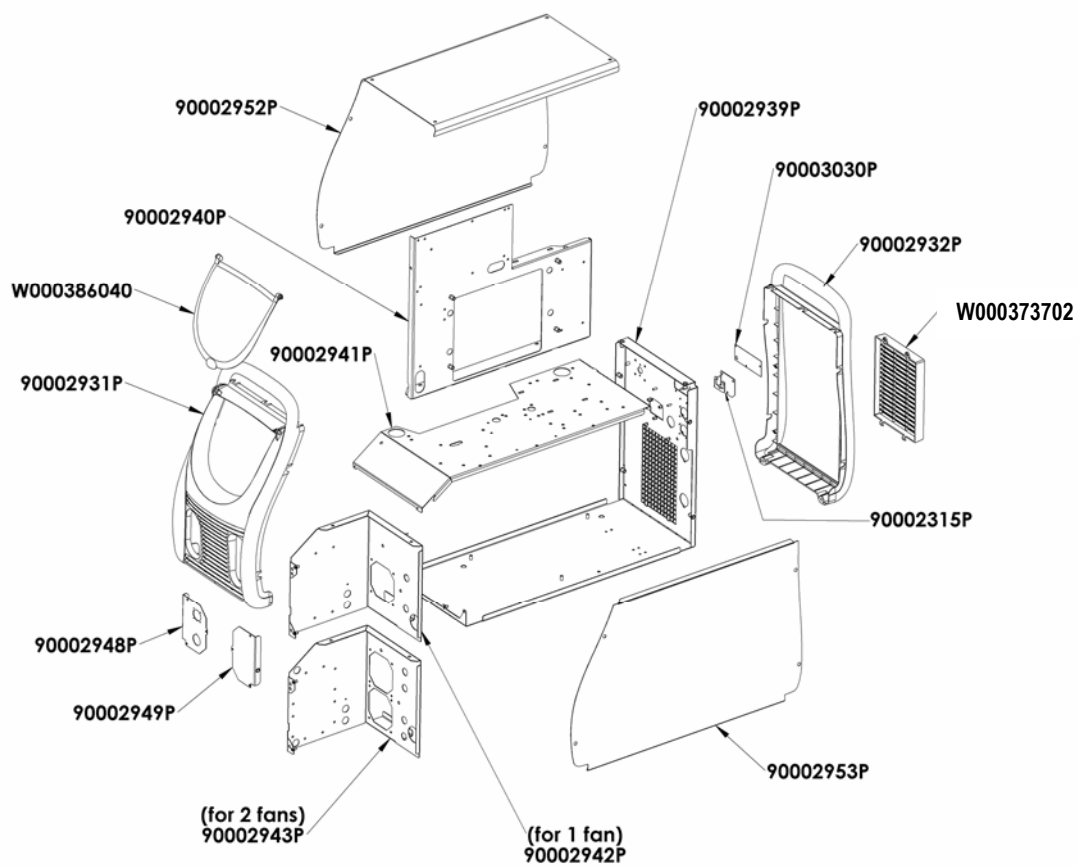
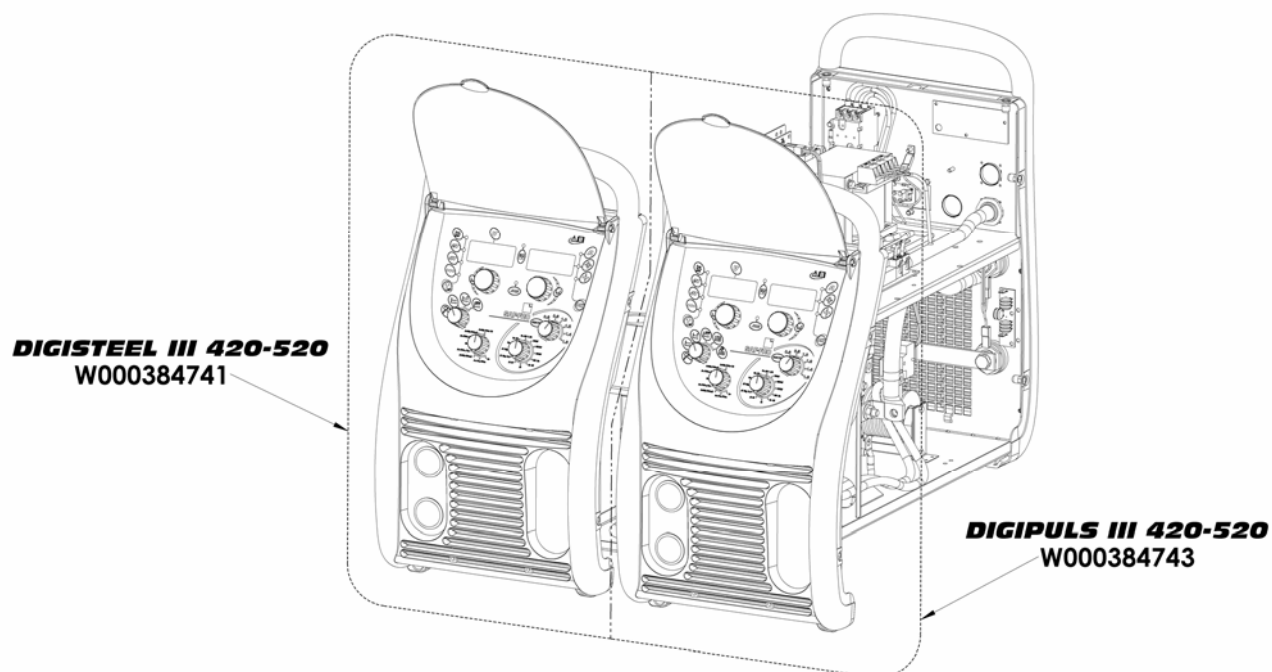
Se necessário, substitua a guia da tocha, de entrada de arame.

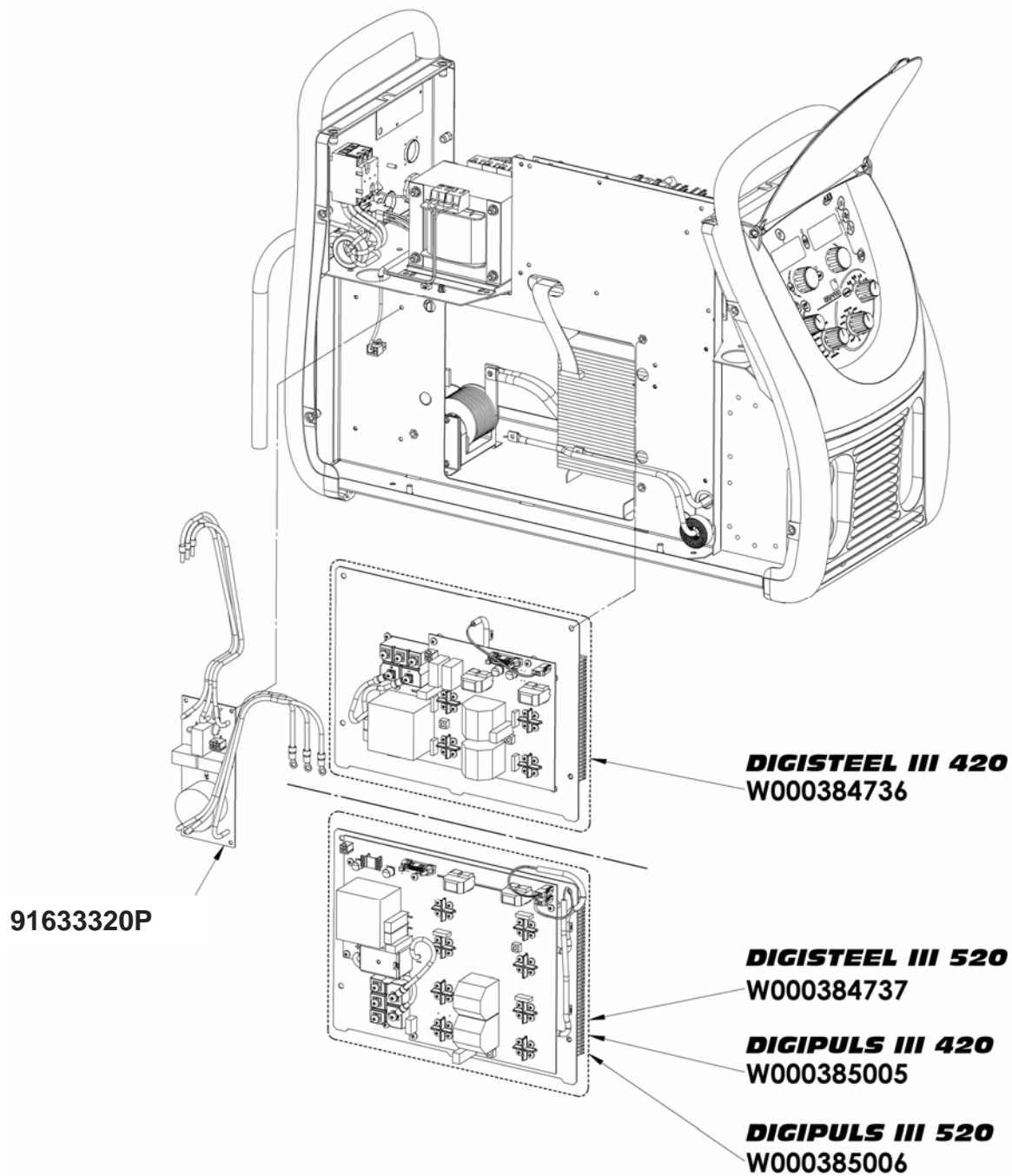
Um desgaste muito grande da guia de arame pode originar fugas de gás na parte de trás da tocha.

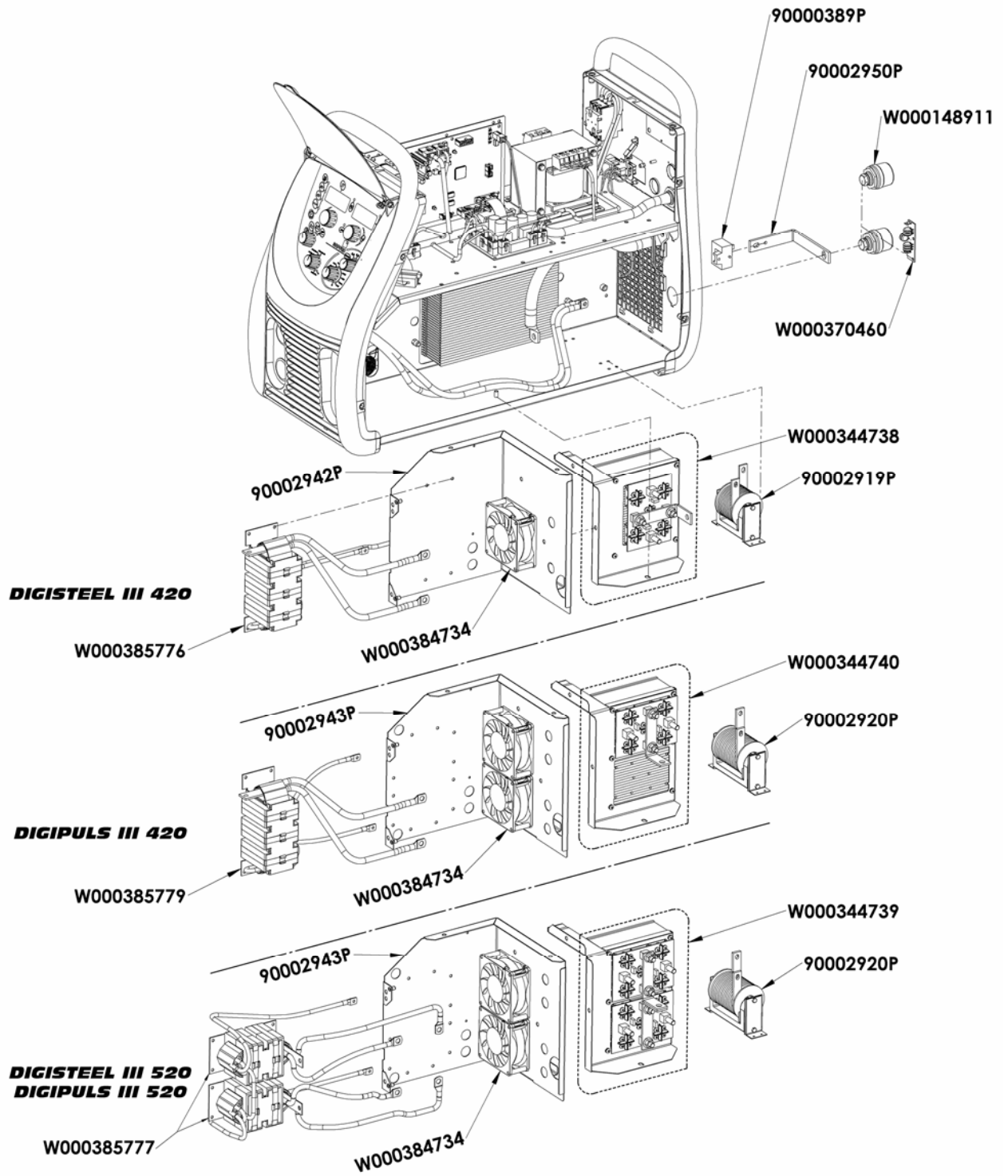
Os tubos de contacto estão preparados para uma longa utilização. Apesar disso, a passagem do arame causa desgaste, um alargamento do diâmetro mais do que as tolerâncias permitidas entre o tubo e o arame.

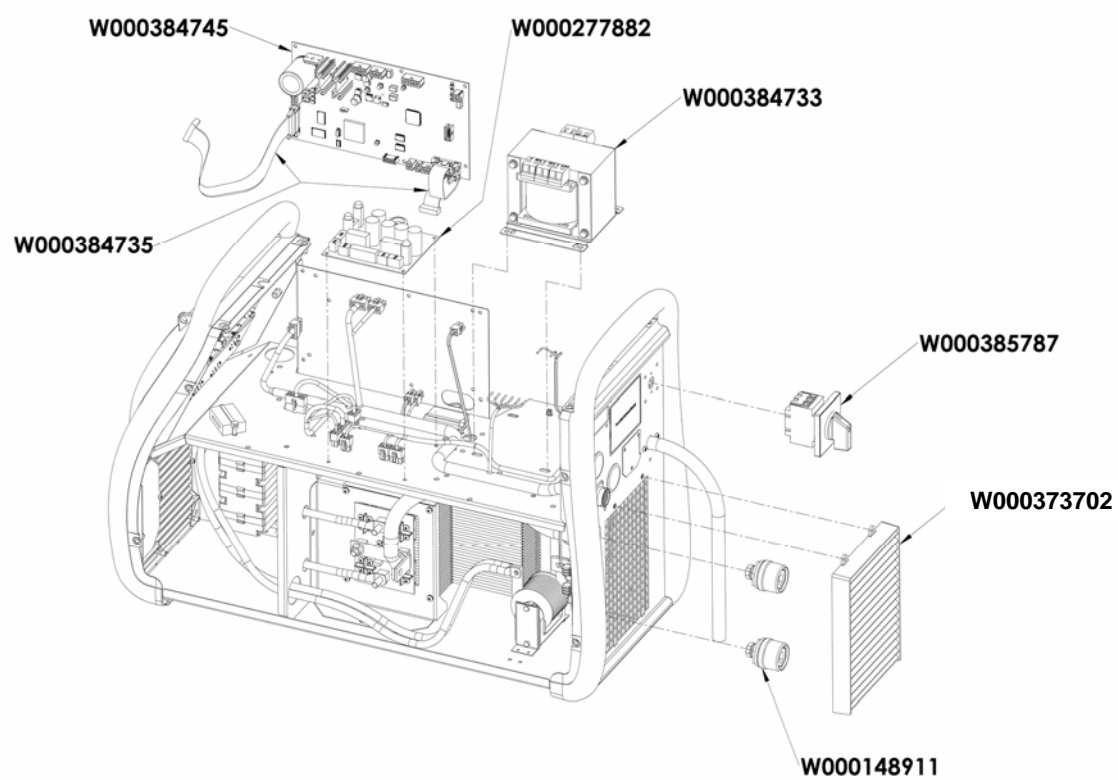
A necessidade de os substituir torna-se evidente quando o processo de transferência do metal se torna instável, todas as configurações dos parâmetros de trabalho, caso contrário, mantêm-se normais.

6.4. PIECES DE RECHANGE

Caixa de proteção exterior:Interna e inversor:







6.5. PROCEDIMENTO DE RESOLUÇÃO DE PROBLEMAS

As reparações de equipamento eléctrico devem ser efectuadas somente por pessoal qualificado.

CAUSAS	SOLUÇÕES
O GERADOR ESTÁ LIGADO ENQUANTO O PAINEL DA FRENTE ESTÁ DESLIGADO	
Fonte de alimentação	Verificar a rede de alimentação (para cada fase)
VISUALIZAÇÃO DA MENSAGEM E01 ond	
Foi excedido o estrangulamento máximo de corrente da fonte de alimentação	Premir o botão OK para eliminar o problema. Se o problema persistir, contactar o Suporte ao Cliente
VISUALIZAÇÃO DE MENSAGEM E02 inu	
Reconhecimento defeituoso da fonte de alimentação - somente no arranque - Ligações com avaria	Assegurar que o cabo de borracha entre o cartão principal do inversor e o cartão do ciclo está adequadamente ligado.
VISUALIZAÇÃO DA MENSAGEM E07 400	
Tensão de alimentação incorreta	Assegurar que a tensão elétrica está no intervalo aceitável de +/- 20% do fornecimento de alimentação principal da fonte de alimentação.
VISUALIZAÇÃO DE MENSAGEM E24 Sen	
Sensor de temperatura com avaria	Assegurar que o conector B9 está corretamente ligado ao cartão de ciclo (caso contrário, a medição de temperatura não é efetuada) O sensor de temperatura está fora de serviço Contacte o Apoio ao Cliente
VISUALIZAÇÃO DE MENSAGEM E25 -C	
Sobreaquecimento da fonte de alimentação Ventilação	Deixar o gerador arrefecer O problema desaparece por si mesmo após alguns minutos Assegure-se que o ventilador do inversor funciona.
VISUALIZAÇÃO DE MENSAGEM E33 MEM-LIM Esta mensagem indica que a memória já não está operacional	
Mau funcionamento durante poupança de memória	Contacte o Apoio ao Cliente.
VISUALIZAÇÃO DA MENSAGEM E43 brd	
Cartão eletrónico em predefinição	Contacte o Apoio ao Cliente.
VISUALIZAÇÃO DA MENSAGEM E50 H2o	
Unidade de arrefecimento em predefinição	Assegurar que a unidade de arrefecimento está bem ligada. Verificar unidade de arrefecimento (Transformador, bomba de água, ...) Se não for usada unidade de arrefecimento, desativar o parâmetro no menu CONFIGURAÇÃO.
VISUALIZAÇÃO DA MENSAGEM E63 IMO	
Problema mecânico	Rodízio de pressão está demasiado apertado Ponteira de alimentação de arame está entupida com resíduos. O fecho da bobine de alimentação de arame está demasiado apertado.
VISUALIZAÇÃO DA MENSAGEM E65-Mot	
Conectores defeituosos Problema mecânico Alimentação	Verifique a ligação do cabo de borracha do codificador ao motor de alimentação de arame. Assegure que o equipamento de alimentação de arame não está bloqueado. Verifique a ligação da fonte de alimentação do motor. Verifique F2 (6A) no cartão de alimentação auxiliar.
VISUALIZAÇÃO DA MENSAGEM E71 -DIA-MET-GAS	
HMI selector PROCESSO diâmetro padrão GAS-METAL-in	Rode selector para desbloquear, pós-chamada de serviço ao cliente, se sempre no omissão
VISUALIZAÇÃO DA MENSAGEM StE PUL	
Inversor não foi bem reconhecido	Contactar o Apoio ao Cliente
VISUALIZAÇÃO DA MENSAGEM I-A-MAHX	
Corrente máxima da fonte de alimentação atingida	Reduzir a velocidade do arame ou a tensão do arco
VISUALIZAÇÃO DA MENSAGEM bPXon	
Indicação de mensagem indicando botão que le OK ou Cancelar botão é pressionado, Mantido em momentos inesperados	Pressione o botão para desbloquear, pós-chamada de serviço ao cliente, se sempre no padrão

VISUALIZAÇÃO DA MENSAGEM SPEXXX

alimentação do fio é sempre activado involuntariamente

Verifique o botão de alimentação do fio não está bloqueado
Verifique a conexão deste botão e placa eletrônica

VISUALIZAÇÃO DA MENSAGEM LOA DPC

Software Update por PC é ativado involuntariamente

Parar e iniciar o serviço ao cliente fonte de energia, pós-chamada, se sempre no omissão

VISUALIZAÇÃO DA MENSAGEM GATILHO

Esta mensagem é gerada quando o gatilho é empurrado num momento no qual pode acidentalmente causar o início dum ciclo.

Gatilho empurrado antes da fonte de alimentação estar ligada ou durante um reinício devido a avaria.

GERADOR EM FUNCIONAMENTO / SEM ALIMENTAÇÃO DE ARAME E SEM CONTROLO DE GÁS

Ligação da cablagem

Verifique a ligação da cablagem integrada na parte de trás do conjunto de soldadura e no alimentador de arame. Verifique o estado dos contactos.

**SEM ALIMENTAÇÃO DE SOLDADURA
SEM MENSAGEM DE ERRO**

Cabo de alimentação não ligado
Falha da fonte de alimentação

Verifique a ligação da fita terra e a ligação da cablagem torche
No modo Eléctrodo Revestido, verifique a voltagem entre os terminais da soldadura na parte de trás do gerador. Sem voltagem, contactar o Apoio ao Cliente.

Qualidade da SOLDADURA

Calibração incorrecta

Mudança da tocha e/ou da fita terra ou da chapa de trabalho

Soldadura instável ou flutuante

Soldadura instável ou flutuante

Alcance limitado das configurações de ajustamento

Fornecimento de energia fraco da fonte de alimentação

Verificar o parâmetro de definição fina (RFP = 0)
Realizar recalibragem (Verificar o contacto elétrico correto no circuito da soldadura).
Assegurar que o sequenciador não está activado. Verificar o Arranque a Quente e a inclinação descendente..
Selecione o modo manual. A limitação é imposta pelas regras de compatibilidade de sinergia.
Se usar RC JOB, assegure que não está activada a palavra-passe - limitação de configuração de funcionamento.
Verificar a ligação correcta da fonte de alimentação trifásica.

OUTROS

Arame empilhado no banho ou no tubo de contacto

Visualização da mensagem de triG quando liga a alimentação.

Otimizar os parâmetros de extinção do arco: Pulverizador PR e pós-retráctil
A mensagem TtriG é visualizada se o gatilho for ativado antes de ligar o conjunto de soldadura

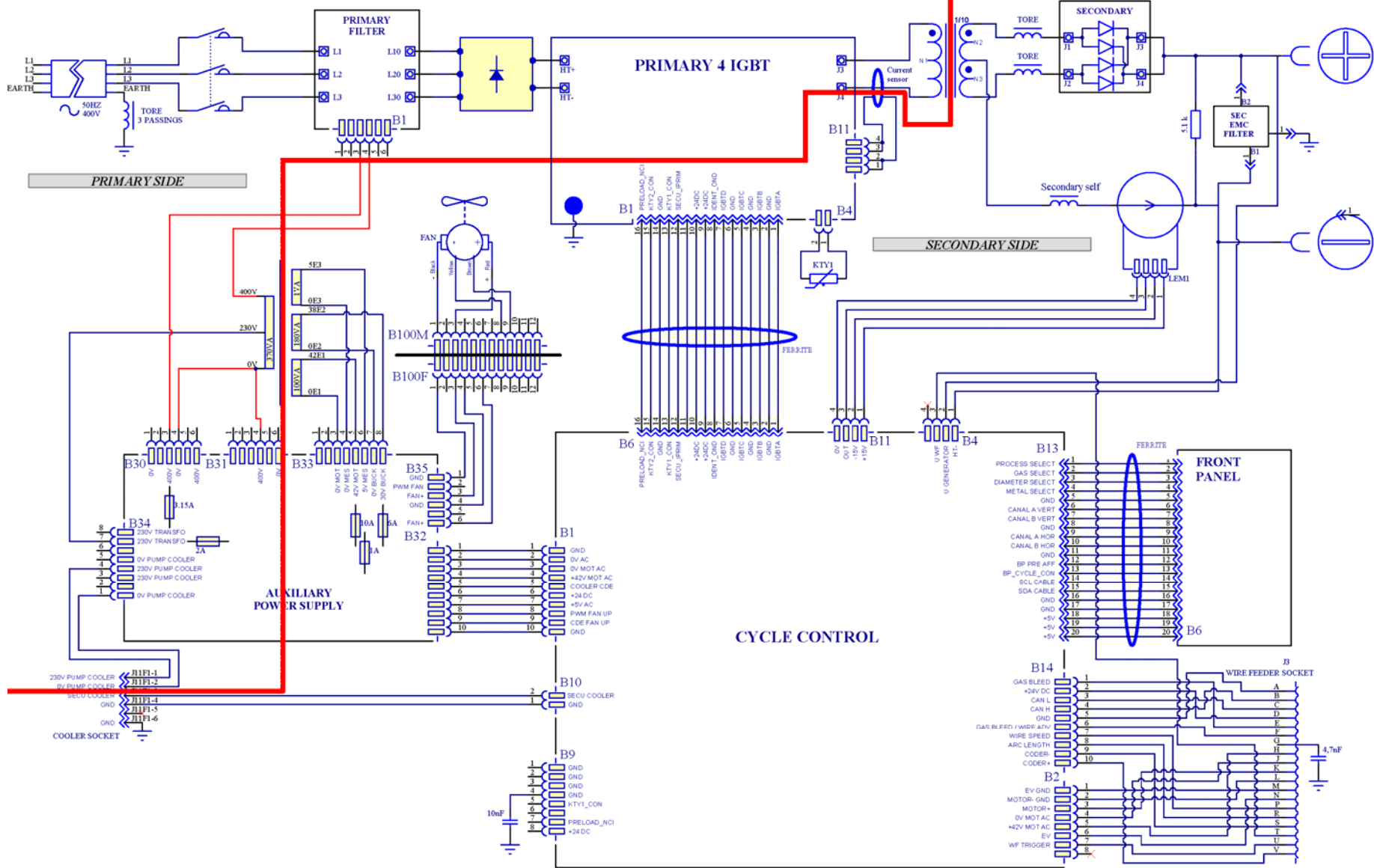
Se o problema persistir, pode reiniciar os parâmetros para os de fábrica por defeito. Para este efeito, com o equipamento de soldar desligado, seleccionar a posição de Configuração no seletor do painel frontal, premir o botão OK e manter premido enquanto liga o gerador.

DEVE NOTAR:

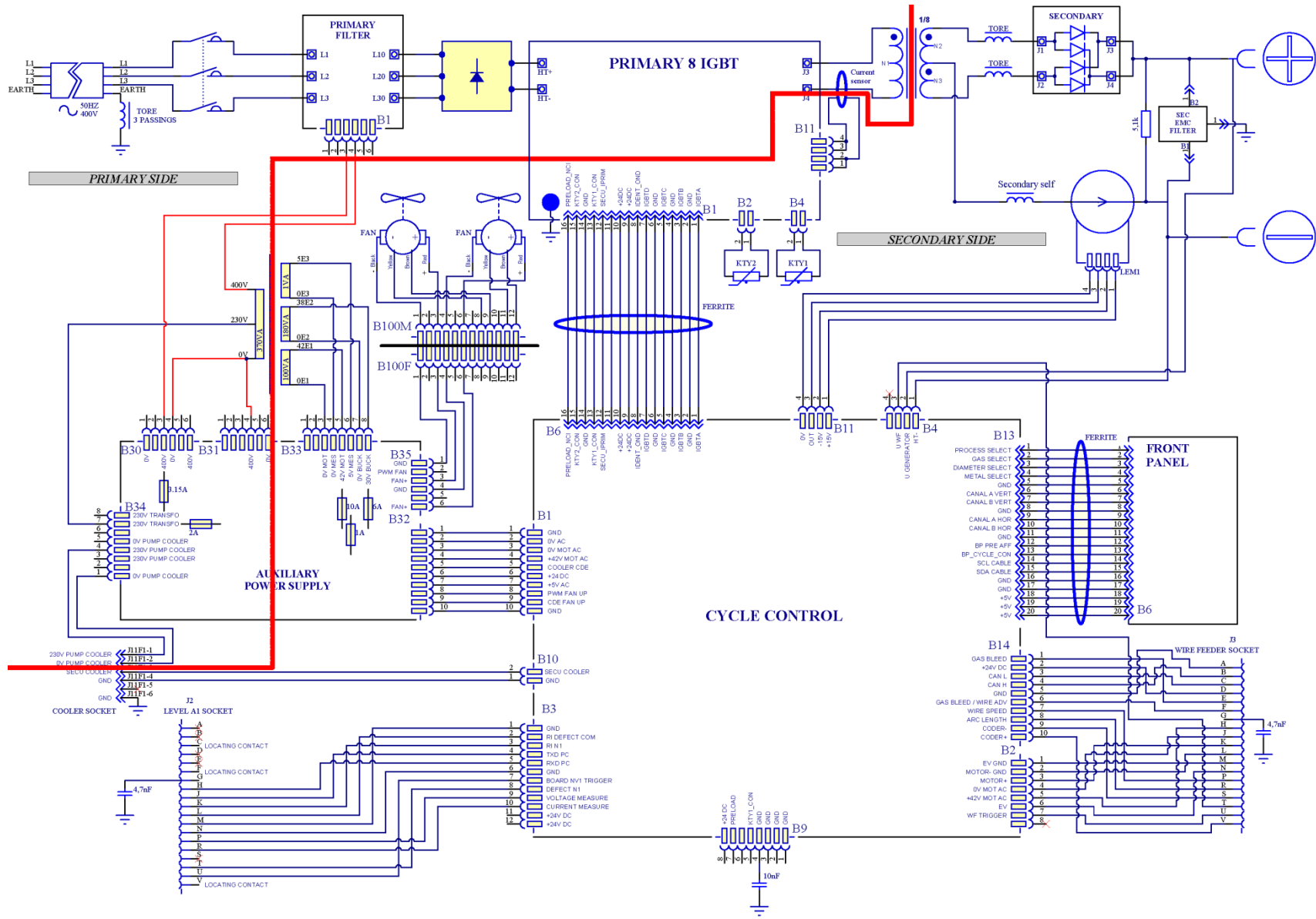
Considerar gravar primeiro os parâmetros do trabalho, porque esta operação apagará todos os programas guardados em memória. Se REINICIAR com valores de fábrica não resolver o problema, chamar o Apoio ao Cliente.

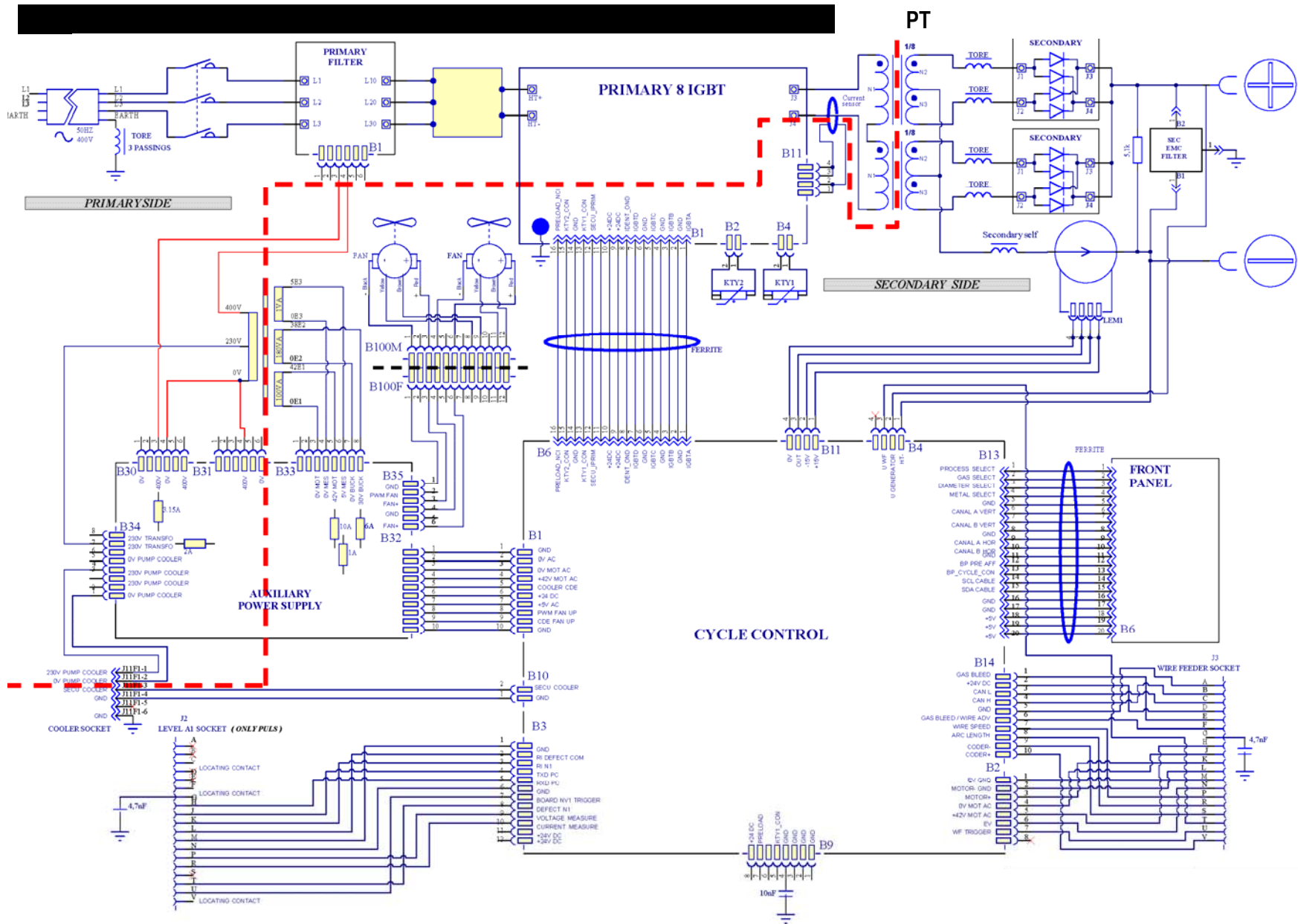
6.6. ESQUEMA ELÉCTRICO

PT



DIGISTEEL III 420A





III 520A

DIGISTEEL III – DIGIPULS

7 - ANEXOS

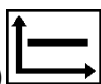
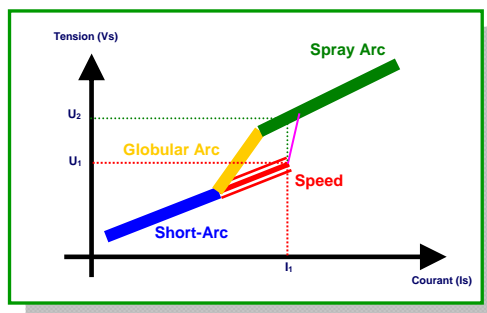
7.1. APRESENTAÇÃO DOS PROCESSO DE SOLDADURA

Para os aços de carbono e inoxidáveis, o DIGISTEEL III 320C / DIGIPULS III 320C usa 2 tipos de arco curto:

- + arco curto "suave" ou "liso"
- + O arco curto "dinâmico" ou « SSA ».
- + Le short arc HPS

O Pulsado MIG pode ser usado em todos os tipos de metal (aço, aço inoxidável e alumínio) com arames sólidos e alguns arames revestidos. É particularmente recomendado para aço inoxidável e alumínio dado que a eliminação de projeções e a excelente fusão dos arames tornam-no o processo ideal.

- + Características do arco da fonte de alimentação



O arco curto "Suave" ou "Liso" (SA)

O arco curto "suave" alcança uma **diminuição muito importante das projeções** em soldadura de aços de carbono, o que resulta numa forte redução de custos de acabamento.

Melhora o aspecto do cordão de solda graças a uma humedificação melhorada do banho de fusão.

O arco curto "suave" é o indicado para a soldadura em todas as posições. Um aumento de velocidade do arame permite passar ao modo de arco pulverizado mas não permite evitar a passagem para o regime globular.

Forma de onda do processo de soldadura do arco curto



Nota : O arco curto "suave" é ligeiramente mais energético que o arco curto "dinâmico". Consequentemente, o arco "dinâmico" poderá ser escolhido em vez do arco "suave" para a soldadura de chapas muito finas (≤ 1 mm) ou para a soldadura de passagens de penetração.



Arco curto "Dinâmico" ou "Arco Curto Rápido" (SSA)

+

O arco curto "dinâmico" ou "SSA" permite uma maior versatilidade na soldadura de aços de carbono e inoxidáveis e permite a absorção das variações de movimentos da mão do soldador, por exemplo numa posição difícil. Também permite compensar melhor as diferenças na preparação das chapas.

Ao aumentar a velocidade de alimentação do arame, o modo SA passa naturalmente ao modo SSA, evitando o modo globular. Graças ao rápido controlo do arco e usando a programação apropriada, DIGISTEEL III 420-520 / DIGIPULS III 420-520 pode aumentar artificialmente o intervalo do Arco Curto para correntes mais elevadas, no intervalo da **velocidade do arco curto**.

Forma de onda do processo de soldadura do arco curto rápido



Ao eliminar o modo arco "globular" que é caracterizado por grandes projecções aderentes e uma energia mais elevada que num arco curto, o arco curto rápido permite:

- ⇒ Reduzir a quantidade de deformações a uma intensidade de soldadura elevada no alcance de soldadura "globular" habitual
- ⇒ Reduzir a quantidade de projecções em relação ao modo globular
- ⇒ Obter um bom aspecto de soldadura
- ⇒ Reduzir emissões de fumo comparando com os modos habituais (até cerca de 25% menos)
- ⇒ Obter boa penetração de forma arredondada
- ⇒ Permite soldar em todas as posições

Nota : Os programas CO₂ utilizam automática e unicamente o arco curto "suave" sem permitir acesso ao arco curto rápido. O arco curto "dinâmico" não é o indicado para a soldadura CO₂. devido à instabilidade do arco.



HPS - Velocidade de Alta Penetração

HPS é um processo de soldadura designado por LE juntando os benefícios dos modos de Arco em Spray e de Arco Curto. Como a tensão de soldadura é inferior ao modo Arco em Spray normal, a energia de soldadura é inferior e os materiais de soldadura menos forçados. Gerido através de uma regulação digital adaptada.

HPS propõe as seguintes vantagens:

- + Ter um arco mais manobrável apesar do modo de soldadura usado com frequência.
- + Ter hastes mais compridas permitindo a soldadura na base do bisel durante a preparação do arco
- + Aumentar a penetração e reduzir ou eliminar a aresta biselada.
- + Aumentar a produtividade enquanto limita as preparações e aumenta a velocidade de alimentação do enchimento de metal.
- + Eliminar o efeito de bordo queimado do material da base
- + Para mais informações, solicitar a brochura HPS ao seu contacto de soldadura.



O MIG NORMAL Pulsado

A transferência de metal no arco é efectuada por libertação de gotas graças aos impulsos da corrente. O microprocessador calcula os parâmetros do MIG Pulsado para cada velocidade de arame, para assegurar um excelente resultado na soldadura e no chapamento.

As vantagens do Mig Pulsado são:

- + Redução das deformações a correntes de soldadura elevadas nos modos de soldadura "globular" habitual e de arco pulverizado.
- + Permite todas as posições de soldadura
- + Fusão excelente dos arames de aço inoxidável e de alumínio
- + Eliminação quase total de projecções durante os trabalhos de acabamentos.
- + bom aspeto do cordão
- + Redução das emissões de fumo comparando com os modos habituais e mesmo com arco curto rápido (até cerca de 50% menos);

A programação do **DIGIPULS III 420-520** pulsado para os Aços Inoxidáveis elimina as projecções mais pequenas que possam existir nas chapas finas com as velocidades de alimentação do arame muito fracas. Estas "bolas" são causadas pela pulverização ligeira do metal no momento de libertação da gota. A extensão deste fenómeno depende do tipo e origem dos arames.

Estes programas para o Inox foram melhorados em relação às intensidades fracas e aumentando a flexibilidade de uso, proporcionando um aumento de flexibilidade de uso para soldadura de chapa fina usando o método MIG Pulsado.

São obtidos resultados excelentes para chapas finas inoxidáveis (1 mm) usando o método MIG Pulsado com arame de Ø 1 mm em chapa M12 ou M11 (média aceitável 30A).

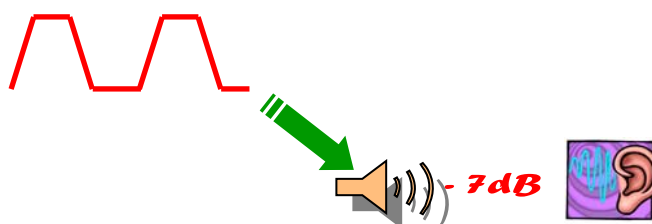
No que se refere ao aspeto das uniões os **DIGIPULS III 420-520** proporcionam uma qualidade comparável à qualidade obtida com o TIG.



O Mig Pulsado de Baixo Ruído ou Soft Silence Pulsado (SSP)

Proposto para os Ø de 1 e 1,2mm em aço ou aço inoxidável; as novas sinergias de pulsado permitem:

- + uma substancial redução do ruído do arco
- + um arco mais doce, mais enérgico e com maior desenvolvimento
- + um banho de fusão mais quente, com um cordão bem molhado



Nota: o pulsado de baixo ruído permite a operação de soldadura num ambiente mais agradável. dá mais energia ao banho, permitindo uma maior facilidade de utilização no plano. em contrapartida, é menos maneável no tocante à soldadura em posição..

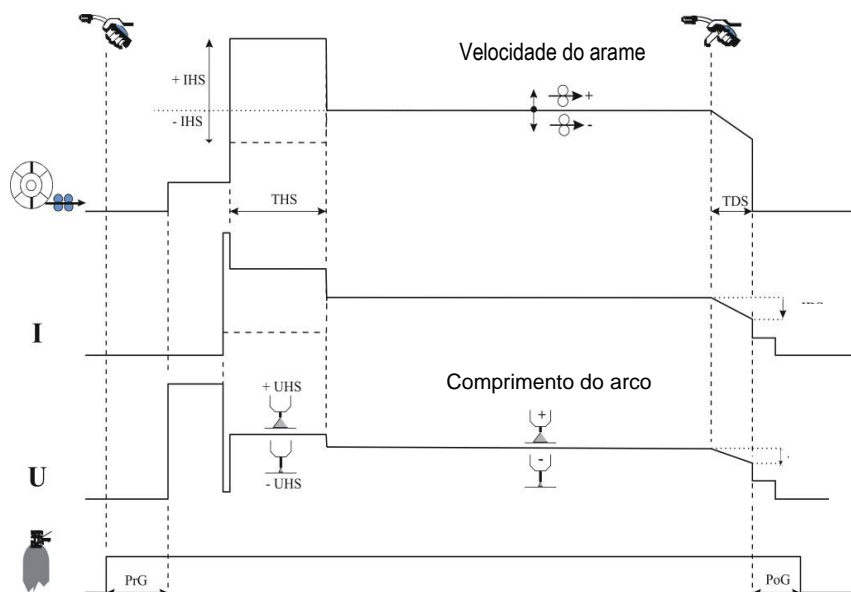
7.2. CICLO DE SOLDADURA AVANÇADO

Ciclo de 2-tempos

Ao pressionar o gatilho provoca a ativação do alimentador de arame , o pré-gás e liga a corrente da soldadura. Quando solta o gatilho dá origem a uma paragem na soldadura.

O ciclo Arranque a Quente é validado pelo parâmetro **tHS=DESLIGADO** no submenu Ciclo geral da CONFIGURAÇÃO. Permite começar a soldadura com o pico de corrente que facilita o estrangulamento.

A descida permite terminar o cordão de soldadura com um nível de soldadura descendente.



Ciclo de 4-tempos

Ao empurrar o gatilho pela primeira vez activa o pré-gás, seguido de Arranque a Quente. Quando solta o gatilho pára a soldadura.

Se ARRANQUE A QUENTE não estiver ativo, a soldadura começará imediatamente após o pré-gás. Neste caso, soltar o gatilho (2º passo) não terá qualquer efeito, e o ciclo de soldadura continuará.

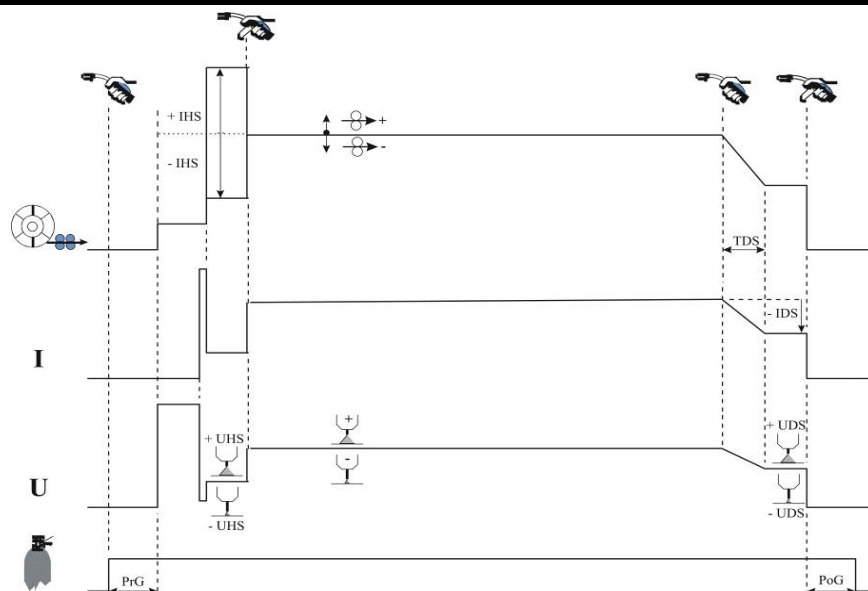
Ao pressionar o gatilho na fase de soldadura (3º passo) activa o controlo da duração das funções de descida e de anti-cratera, de acordo com o tempo temporizado pré-programado.

Se não houver descida, ao soltar o gatilho mudará imediatamente para pós-gás (como programado na Configuração).

No modo 4-tempos (4T), libertar o gatilho para a função anti-cratera se a descida está ATIVADA.

Se a descida está DESATIVADA libertar o gatilho parará o PÓS-GÁS.

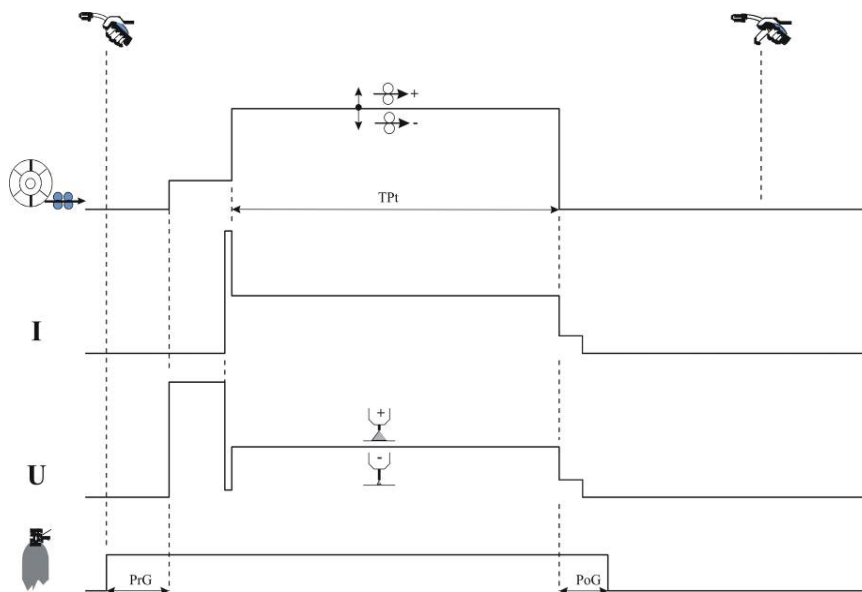
As funções de Arranque a Quente e de descida não estão disponíveis no modo manual



Ciclo ponto

Ao pressionar o gatilho provoca a ativação do alimentador de arame, o pré-gás e liga a corrente da soldadura. Quando solta o gatilho dá origem a uma paragem na soldadura.

O ajustamento do Arranque a Quente, da descida e do sequenciador está desativado. No final da temporização do ponto, a soldadura pára.



Ciclo sequenciador

O sequenciador é validado pelo parâmetro "tSE ≠ Desligado" no submenu ciclo específico da CONFIGURAÇÃO.

Para aceder:

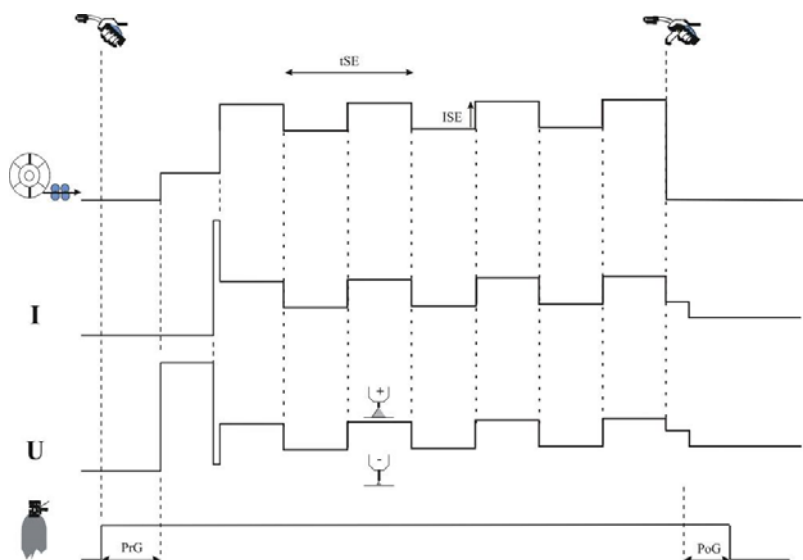
O parâmetro "tSE" é visualizado no menu "CICLO"

Coloque este parâmetro num valor entre 0 e 9.9 s.

tSE: Duração dos 2 níveis se ≠ **DESLIGADO**.

ISE : Corrente do 2º nível em % do 1º nível.

Somente disponível no modo sinérgico, ciclo 2T ou ciclo 4T



Regulação-Fina (parâmetro a ajustar no menu de configuração de ciclo "rFP)

Em soldadura pulsada regulação fina permite otimizar o ponto de queda da gota, em função das diferenças nas composições dos arames e do gás utilizados.

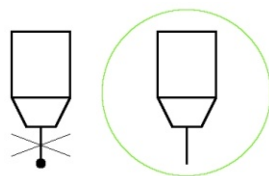
Quando se visualizam no arco projecções finas que podem vir a aderir à chapa, tem de se modificar a regulação fina para valores negativos.

Se forem transferidas grandes gotas no arco, é necessário modificar a regulação fina para valores positivos.

PR-pulverizar ou afiar arame

O fim dos ciclos de soldadura podem ser modificados para evitar a formação duma bola no extremo do arame. Esta ação sobre o arame produz um re-estrangulamento

quase perfeito. A solução seleccionada consiste em injectar um pico de corrente no final do ciclo, o qual faz com que o extremo do arame fique pontiagudo.



Nota: Este pico de corrente no final do ciclo não é sempre desejável. Por exemplo, quando está a soldar chapa metálica fina, este dispositivo pode originar uma cratera.

7.3. LISTA DE SINERGIAS

SHORT ARC (SA)						
	0.6 mm	0.8 mm	1 mm	1.2 mm	1.4 mm	1.6 mm
Fe SG 1/2	M21	M21	M21	M21	/	M21
	M14	M14	M14	M14	/	M14
	M20	M20	M20	M20	/	M20
	/	I1	I1	I1	/	I1
CrNi	/	M11	M11	M11	/	M11
	/	M12	M12	M12	/	M12
	/	M12	M12	M12	/	M12
AlSi	/	/	C1	C1	/	C1
Al	/	/	/	C1	/	C1
AlMg 3.5	/	/	C1	C1	/	C1
AlMg 5	/	/	C1	C1	/	C1
Cu Si	/	C1	C1	C1	/	/
Cu Al	/	/	C1	C1	/	/
SD Zn	/	/	M21	M21	/	/
RCW : SD 100	/	/	M21	M21	/	M21
	/	/	I1	I1	/	I1
MCW : SD 200	/	/	M21	M21	M21	M21
BCW : SD 400	/	/	/	M21	/	M21
	/	/	/	I1	/	I1
SPEED SHORT ARC (SSA)						
	0.6 mm	0.8 mm	1 mm	1.2 mm	1.4 mm	1.6 mm
Fe SG 1/2	M21	M21	M21	M21	/	M21
	M14	M14	M14	M14	/	M14
	M20	M20	M20	M20	/	M20
CrNi	/	M12	M12	M12	/	M12
	/	M12	M12	M12	/	M12
	/	M11	M11	M11	/	M11
MCW : SD 200	/	/	/	M21	/	/
HPS						
	0.6 mm	0.8 mm	1 mm	1.2 mm	1.4 mm	1.6 mm
Fe SG 1/2	/	/	M21	M21	/	/
	/	/	M20	M20	/	/
MCW : SD 200	/	/	/	M21	M21	/
	/	/	/	M20	M20	/
	/	/	/	M14	M14	/
PULS						
	0.6 mm	0.8 mm	1 mm	1.2 mm	1.4 mm	1.6 mm
Fe SG 1/2	/	M21	M21	M21	/	M21
	/	M14	M14	M14	/	M14
	/	M20	M20	M20	/	M20
CrNi	/	M11	M11	M11	/	M11
	/	M12	M12	M12	/	M12
	/	M12	M12	M12	/	M12
AlSi	/	/	C1	C1	/	C1
Al	/	/	/	C1	/	C1
AlMg 3.5	/	/	C1	C1	/	C1
AlMg 5	/	/	C1	C1	/	C1
Cu Si	/	/	C1	C1	/	/
Cu Al	/	/	C1	C1	/	/
MCW : SD 200	/	/	/	M21	/	M21
BCW : SD 400	/	/	/	M21	/	/

LOW NOISE PULS

	0.6 mm	0.8 mm	1 mm	1.2 mm	1.4 mm	1.6 mm
Fe SG 1/2	/	/	M21	M21	/	/
	/	/	M14	M14	/	/
	/	/	M20	M20	/	/
CrNi	/	/	M12	M12	/	M12
	/	/	M12	M12	/	M12
	/	/	M11	M11	/	M11

NOTA: Para quaisquer outras sinergias, deve contactar o nosso agente

GAZ TABLE	
Description	Old gaz reference
Ar82/CO ₂ 18	M21
Ar92/CO ₂ 8	M20
Ar/CO ₂ /O ₂	M14
CO ₂	I1
Ar/CO ₂ /H ₂	M11
Ar98/CO ₂	M12
Ar/He/CO ₂	M12
Ar	C1

WIRES TABLE		
Description	Désignation	Reference
Fe SG ½	Steel solid wire	NERTALIC G2 FILCORD FILCORD C FILCORD D FILCORD E STARMAG
Cu Si	Copper Silicium solid wire	
Cu Al	Copper Aluminum solid wire	FILCORD 46
Al Mg 5	Aluminum solid wire	FILALU Al Mg 5
Al Mg 3.5		FILALU Al Mg 3
Al Si		FILALU Al Si 5
Al		FILALU 99.5 Ti
Cr Ni	Stainless steel solid wire	FILINOX 307 FILINOX 308 Lsi FILINOX 309 Lsi FILINOX 316 Lsi
Sd Zn	Galvanised solid wire	FILCORD Zn
BCW	Basic cored wire	SAFDUAL STEELCORED INOXCORED
MCW	Metallized powder cored wire	
RCW	Rutile cored wire	



SAF-FRO

DIGISTEEL III 420/520

DIGIPULS III 420/520



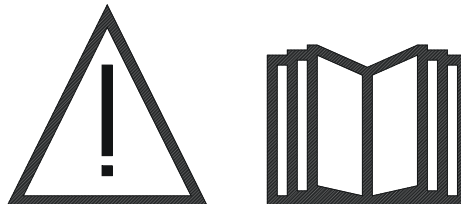
NL

VEILIGHEIDSINSTRUCTIES VOOR BEDIENING EN ONDERHOUD

Cat n° : 8695-1251
Rev : D
Date : 02/2018



Contact : www.saf-fro.com



NL Booglassen en plasmasnijden kunnen gevaarlijk zijn voor de persoon die de werkzaamheden uitvoert en voor personen in de nabije omgeving. Lees de handleiding zorgvuldig door.

1 - ALGEMENE INFORMATIE	4
1.1. VOORSTELLING VAN DE INSTALLATIE	4
1.2. SAMENSTELLING VAN DE INSTALLATIE	4
1.3. TECHNISCHE SPECIFICATIES	5
2 - STARTEN	6
2.1. ELEKTRISCHE AANSLUITINGEN VOOR HET LICHTNET	6
2.2. AANSLUITING VAN DE HASPEL	6
2.3. SLIJTDELEN VOOR DE DRAADAANVOER	6
2.4. AANSLUITING VAN DE TOORTS EN DE KOELGROEP	6
2.5. AANSLUITING VOOR DE GASINLAAT	7
2.6. INSCHAKELEN	7
3 - GEBRUIKSAANWIJZING	8
3.1. FUNCTIES VAN HET DISPLAY AAN DE VOORZIJDE	8
3.2. DE VOEDINGSBRON KALIBREREN	9
3.3. DISPLAY EN GEBRUIK	9
4 - OPTIES, ACCESSOIRES	12
5 - BUNDEL ET TOORTS	14
5.1. BUNDEL	14
5.2. TOORTS	14
5.3. TOORTS PUSH PULL	14
5.4. TOORTS A POTENTIOMETRE	14
6 - ONDERHOUD	15
6.1. ALGEMEEN	15
6.2. ROLLEN EN GELEIDERS	15
6.3. TOORTS	15
6.4. RESERVEONDERDELEN	16
6.5. PROBLEMEN OPLOSSEN	20
6.6. BEDRADINGSSHEMA	22
7 - BIJLAGEN	25
7.1. OVERZICHT VAN LASPROCESSEN	25
7.2. GEAVANCEERDE LASCYCLUS	27
7.3. LIJST MET SYNERGIËN	30

1 - ALGEMENE INFORMATIE

1.1. VOORSTELLING VAN DE INSTALLATIE

DIGISTEEL III 420-520 / DIGIPULS III 420-520 is een systeem waarmee handmatig kan worden gelast. Het systeem biedt de volgende mogelijkheden:

- + MIG-/MAG-lassen met korte boog, snelle korte boog en HPS, sproei-boog en normale pulsmodus et pulsé bas bruit (afhankelijk van DIGIPULS), met een stroomsterkte van 15 tot 420A ou de 15A à 520A.
- + Verschillende soorten lasdraden:
 - ⇒ Staal, roestvrij staal, aluminium en speciale draden
 - ⇒ Enkelvoudige en gevulde draden
 - ⇒ Diameters van 0.6-0.8-1.0-1.2-1.4-1.6mm
- + Lassen met gecoate elektroden.
- + Kerfproces (KIT W00010999 vereist)
- + MIG-draad voor lassolderen met CUPRO-aluminium of CUPRO silicium.

De lasset wordt kant-en-klaar geleverd met de DVU P400- of DVU P500-draadaanvoereenheid

1.2. SAMENSTELLING VAN DE INSTALLATIE

De lasset bestaat uit 5 hoofdonderdelen:

- 1 - De energiebron , en de primaire kabel (5 m) en de massakabel (5 m);
- 2 - Koelsysteem (optioneel).
- 3 - Le dévidoir
- 4 - Het dubbele ontkoppelbare harnas tussen de draadtoevoer en de energiebron,
- 5 - De werkplaatstrolley (optie),

Alle onderdelen dienen afzonderlijk te worden besteld en worden afzonderlijk geleverd.

Opties die tegelijkertijd met de lasset worden besteld, worden afzonderlijk geleverd. Raadpleeg de instructies die bij de optionele onderdelen worden geleverd voor meer informatie over de installatie ervan.



WAARSCHUWING:

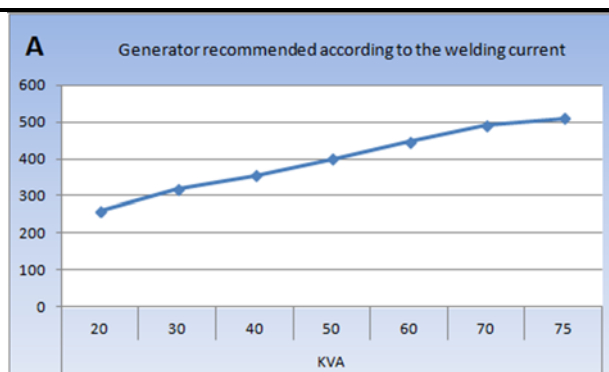
De kunststof handgrepen zijn niet bedoeld om het systeem op te tillen. De stabiliteit van het systeem wordt alleen gegarandeerd bij een maximale hellinghoek van 10°.

1.3. TECHNISCHE SPECIFICATIES

	DIGISTEEL III 420 W000383615	DIGISTEEL III 520 W000383617	DIGIPULS III 420 W000383661	DIGIPULS III 520 W000383662
Primaire zijde				
Primaire voeding	400 V	400 V	400 V	400 V
Frequentie van de primaire voeding	50/60Hz	50/60Hz	50/60Hz	50/60Hz
Effectief stroomverbruik door primaire voeding	18,5 A	28,5 A	21,1 A	28,5 A
Maximaal stroomverbruik door primaire voeding	26 A	33,9 A	27,1 A	33,9 A
Primaire zekering	25 A Gg	32 A Gg	25 A Gg	32 A Gg
Maximaal schijnbaar vermogen	18 KVA	23,8 KVA	18,9 KVA	23,8 KVA
Maximaal actief vermogen	17,2 KW	22,4 KW	17,7 KW	22,4 KW
Actief vermogen in stand-bymodus	28 W	29 W	29 W	29 W
Efficiëntie bij maximale stroomsterkte (MIG)	87	89	87	89
Vermogensfactor bij maximale stroomsterkte (MIG)	0,96	0,94	0,93	0,94
Cos Phi	0,99	0,99	0,99	0,99
Secundaire zijde				
Geen belastingspanning (volgens norm) en MIG	57 V	73 V	73 V	73 V
Max. lasvermogen (MIG)	14,8V / 35 V 15A / 420A	14,8V / 39 V 15A / 500A	14,8V / 35 V 15A / 420A	14,8V / 39 V 15A / 500A
Max. lasvermogen (MMA)	15A / 420A	15A / 500A	15A / 420A	15A / 500A
Arbeidscyclus bij 100% en MIG (10 min. bij 40 °C)	350A	450A	350A	450A
Arbeidscyclus bij 60% en MIG (6 min. bij 40 °C)	380A	500A	420A	500A
Arbeidscyclus bij maximale stroomsterkte op 40 ° en MIG C	40%	60%	60%	60%
Overige				
Afmetingen (l x b x h)	720 x 295 x 525	720 x 295 x 525	720 x 295 x 525	720 x 295 x 525
Gewicht	34 kg	40 kg	36 kg	40 kg
Bedrijfstemperatuur	-10° C / +40° C	-10° C / +40° C	-10° C / +40° C	-10° C / +40° C
Opslagtemperatuur	-20° C / +55° C	-20° C / +55° C	-20° C / +55° C	-20° C / +55° C
Toortsaansluiting	"Europees type"	"Europees type"	"Europees type"	"Europees type"
Beschermingsklasse	IP 23	IP 23	IP 23	IP 23
Isolatieklasse	H	H	H	H
Norm	60974-1 & 60974-10	60974-1 & 60974-10	60974-1 & 60974-10	60974-1 & 60974-10



WAARSCHUWING: Deze voedingsbron kan niet worden gebruikt tijdens regen- en sneeuwbuien. De voedingsbron kan buiten worden opgeslagen, maar kan niet zonder bescherming worden gebruikt in de regen.



2 - STARTEN

2.1. ELEKTRISCHE AANSLUITINGEN VOOR HET LICHTNET

de DIGISTEEL III 420-520 / DIGIPULS III 420-520 is een 3-fasige lasset van 400 V.

Wanneer uw lichtnet aan de eisen voldoet, kunt u de stekker voor 3 fasen en aarde aan het uiteinde van de stroomkabel aansluiten.



Dit systeem voldoet aan 61000-3-11 en IEC 61000-3-12 wanneer de impedantie van het openbare laagspanningssysteem op het aansluitpunt lager is dan:

98,2 mΩ pour le DIGISTEEL III 420

28 mΩ pour le DIGIPULS III 420

20.6 mΩ pour le DIGISTEEL III 520 et DIGIPULS III 520.

In dat geval kan het systeem op het openbare laagspanningssysteem worden aangesloten. De installateur of gebruiker van de apparatuur is verantwoordelijk voor de zorg dat de impedantie van het systeem aan de impedantiebeperkingen voldoet. Raadpleeg eventueel de netwerkbeheerder voor meer informatie.



WAARSCHUWING: Deze apparatuur uit klasse A is niet bedoeld voor gebruik in woonomgevingen waar de stroom afkomstig is van het openbare laagspanningssysteem. Vanwege de geleide en uitgestraalde verstoringen kunnen er mogelijk problemen optreden ten aanzien van de elektromagnetische compatibiliteit op deze locaties.

2.2. AANSLUITING VAN DE HASPEL



OPGELET

uitvoeren met een uitgeschakelde generator.

Sluit de kabelboom aan op de draadaanvoer. Gebruik de juiste aansluitpunten.

Sluit het ander uiteinde van het harnas aan op de generator.

Sluit de MIG lastoorts aan op de haspel.

2.3. SLIJTDELEN VOOR DE DRAADAANVOER

		INVOER-GELEIDER	ADAPTATOR	ROL	TUSSENGELEIDER	UITVOER-GELEIDER	
STAAL Roestvrij STAAL	0,6 / 0,8	Plastic W000277333	W000277338	W000305125	W000277334	W000277335	
	0,9 / 1,2			W000277008		W000277335	W000277336
	1,0 / 1,2			W000267599			
	1,2 / 1,6			W000305126		W000277336	
	1,4 / 1,6			W000277009		W000277336	
FLUX- KABEL	0,9 / 1,2	W000277333	W000277338	W000277010	W000277334	W000277335	
	1,2 / 1,6			W000266330		W000277335	W000277336
	1,4 / 1,6			W000277011		W000277336	
LICHTE LEGERINGEN	1,0 / 1,2	ALUKIT W000277622					
	1,2 / 1,6	ALUKIT W000277623					

Mogelijk gebruik van staalrollen ALU met staaldraad en gecoate draad.

Rollen bevestigen

Voor het bevestigen van de rollen is een adapter (catalogusnummer W000277338) vereist.

2.4. AANSLUITING VAN DE TOORTS EN DE KOELGROEP

De MIG lastoorts wordt aangesloten op de voorzijde van de haspel, controleer eerst of alle nodige onderdelen aanwezig zijn voor de draad die zal worden gebruikt bij het lassen.

Raadpleeg hiertoe de handleiding van de toorts.

Indien u een WATERtoorts gebruikt, vergeet dan niet de koelgroep aan te sluiten achteraan de generator, evenals het waterharnas



OPGELET :

een lege werking van de koelgroep die niet is aangesloten op een toorts kan de groep beschadigen.

2.5. AANSLUITING VOOR DE GASINLAAT

De gasinlaat bevindt zich aan de achterkant van de voedingsbron. Sluit hem gewoon aan op de uitgang voor de drukregeling van de gasfles.

- + Plaats de gasfles achter de voedingsbron op de trolley en maak hem vast met een riempje;
- + Open de kraan van de gasfles iets, zodat aanwezige onzuiverheden kunnen ontsnappen. Draai de kraan daarna weer dicht;
- + Bevestig de drukregelaar/debietmeter;
- + Draai de gasfles open.

Het gasdebiet dient tijdens het lassen tussen 10 en 20 liter per minuut te zijn.



WAARSCHUWING:

Gebruik het veiligheidsriempje om de gasfles goed op de trolley te bevestigen.

2.6. INSCHAKELEN

1

De hoofdschakelaar bevindt zich aan de achterkant van de voedingsbron. Druk de schakelaar in om het systeem in te schakelen.

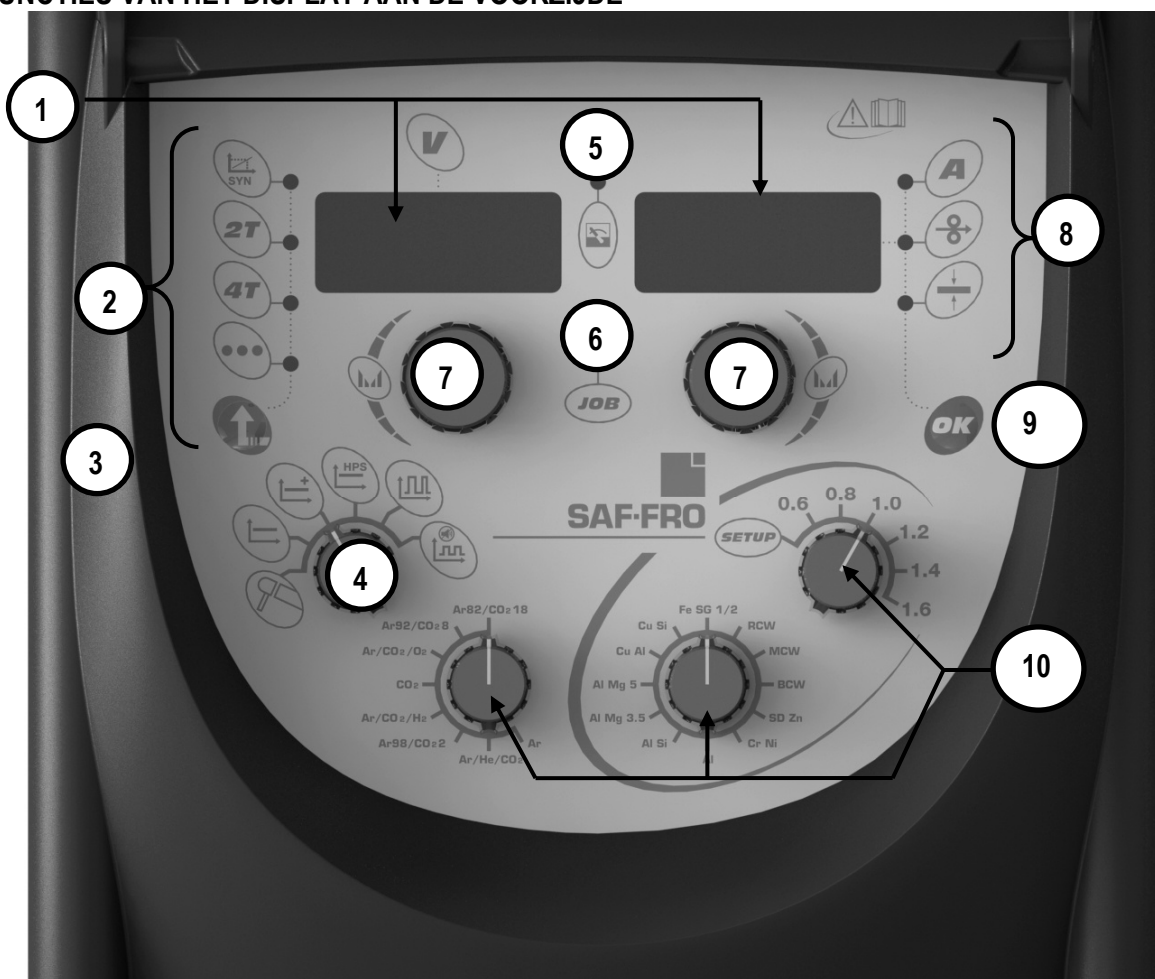


NB: Zit nooit aan de schakelaar tijdens een lascyclus.

De voedingsbron toont tijdens elke opstartcyclus de softwareversie en de voedingsbron.

3 - GEBRUIKSAANWIJZING

3.1. FUNCTIES VAN HET DISPLAY AAN DE VOORZIJDE



Display links: spanning; Display rechts: stroomsterkte
/draadaanvoersnelheid/draaddikte

1

Display voor het selecteren van de lasmodus

2

Bouton de sélection du mode soudage

3

Commutateur de sélection procédé de soudage

4

Voyant « mesure » identifiant les valeurs affichées
(pré-affichage, soudage et post-soudage)

5

Voyant « mode programme actif »

6

Codeur pour la navigation

7

Voyant affichage courant, vitesse fil, épaisseur

8

Bouton sélection pré-affichage

9

Commutateur de sélection gaz, diamètre fil et nature du fil

10

3.2. DE VOEDINGSBRON KALIBREREN



WAARSCHUWING:

wanneer u het systeem voor de eerste keer inschakelt, kunt u niet om de kalibratiestap heen. deze stap is vereist om kwalitatieve lasresultaten te behalen. herhaal de stap wanneer u de polariteit omkeert.

Stap 1: Draai de knop voor de draaddiameter naar "SETUP" en druk op "OK" om het scherm "CO_nFIG" te openen;

Stap 2: Selecteer met behulp van de knop links de parameter "CaL". Selecteer vervolgens met de knop rechts "On";

Stap 3: Druk op het display op "OK". Het display toont nu "triGER";

Stap 4: Verwijder de punt van de toorts;

Stap 5: Snijd de draad door;

Stap 6: Plaats het onderdeel op de contactbuis;

Stap 7: Haal de trekker over;

Stap 8: Het display toont nu de waarde "L" (inductie van de kabel);

Stap 9: Druk op de knop rechts om de waarde "R" (weerstand van de kabel) te bekijken;

Stap 10: Sluit de configuratieprocedure af.

3.3. DISPLAY EN GEBRUIK

3.3.1. Synergiemodus

De getoonde waarden voor de stroomsterkte, spanning en dikte van elke draadaanvoerinstelling zijn uitsluitend ter informatie. Ze komen overeen met waarden die onder bepaalde bedieningsomstandigheden zijn gemeten, zoals de positie, lengte van het uiteinde (vlak lassen, stompassen). De getoonde waarden voor stroomsterkte en spanning komen overeen met de gemiddelde gemeten waarden en kunnen afwijken van de theoretische waarden.

Ledlampje voor programmamodus:

- ⇒ UIT: Instructies voorafgaand aan het lassen;
- ⇒ AAN: Weergave van meetwaarden (gemiddelde waarden);
- ⇒ Knipperen: Metingen tijdens het lassen.

De draad en diameter, het gas en het lasproces selecteren

Selecteer het type draad, de draaddiameter, het gebruikte gas en het lasproces door aan de juiste knop te draaien. Het gekozen materiaal bepaalt welke waarden er beschikbaar zijn voor de diameter, het type gas en de processen. Wanneer er geen synergie aanwezig is, toont het display "nOt SYn", "GAS SYn", "DIA SYn" OF "PrO SYn".

De lasmodus, booglengte en voorlasmodus selecteren

Druk op de "Terug"-knop (3) om de lasmodus 2T, 4T, "spot", "synergic" of "manual" te kiezen. U kunt de booglengte aanpassen met de linkerknop (7) en de voorlasinstellingen met de rechterknop (8). Druk op "OK" (10) om een voorinstelling voor het voorlassen te openen

3.3.2. Handmatige modus

In deze modus is het lasapparaat niet actief. U kunt de parameters voor de draadsnelheid, boogspanning en fijninstellingen aanpassen. In deze modus wordt alleen de waarde voor de draadaanvoersnelheid getoond.

3.3.3. De configuratiemodus

Het configuratiescherm openen:

Het configuratiescherm kan alleen worden geopend wanneer er geen laswerkzaamheden worden uitgevoerd. U kunt het scherm openen door de keuzeknop voor de draaddiameter op het display in stand 1 te zetten.

Het scherm bestaat uit twee vervolkeuzemenu's:

"CYCLE" → Hier kunt u de fasen van een cyclus instellen. Raadpleeg alinea 6.2 voor meer informatie.

"CO_nFIG" → Hier kunt u de voedingsbron configureren.

De configuratie aanpassen:

Open het configuratiescherm, selecteer "CYCLE" of "CO_nFIG" en druk op "OK";

Draai aan de **linker**knop om door de beschikbare parameters te bladeren;

Draai aan de **rechter**knop om de waarden in te stellen;

Start nog niet met lassen. Alle wijzigingen worden nu opgeslagen in het actieve menu.

Lijst met parameters die toegankelijk zijn in het menu COnFIG				
Display links	Display rechts	Stap	Standaard	Beschrijving
GrE	On -;OFF – Aut		Aut	Configuratie voor de waterkoeler. Drie mogelijke statussen: - On: Gedwongen actief - de waterkoeler wordt altijd geactiveerd; - OFF: Gedwongen inactief - de waterkoeler is altijd uitgeschakeld; - Aut: Automatische modus - de waterkoeler wordt ingeschakeld wanneer dat nodig is.
ScU	nc – no - OFF		OFF	Beveiliging van de waterkoeler. Drie mogelijke statussen: - nc : Normaal gesloten, - no : Normaal open, - OFF : Inactief
Unit	US – CE		CE	Weergegeven eenheid voor draadsnelheid en -dikte: - VS: inch-eenheid - CE: metereenheid
CPt	OFF– 0,01 – 1,00	0,01 s	0,30	Inschakeltijd van de trigger voor het oproepen van een programma (alleen in 4T-lasmodus). Kan alleen worden gebruikt voor de lasprogramma's 50 t/m 99.
LAn	Fr,dE,En,It,ES,PO, ,nL,SU,Pt,rO,dA, nO,Fi,Sh,CS,Hu		En	Kies de taal die alleen wordt weergegeven als de draadaanvoer RC-JOB of P500 is aangesloten Frans (Fr) -Duits (DE) - Engels (En) -Italiaans (It) - Spaans (ES) -Pools (PO) - Nederlands (nL) -Swedish (SU) -Portuguese (Pt) - Roemeens (RO) - Deens (DA) - Noors (NO) - Fins (Fi) -Slovak (Sh) - Tsjechisch (CS) - Hongaars (Hu)
PGM	no – yES		no	Programmabeheer inschakelen/uitschakelen
PGA	OFF – ;000 – 020 %	1 %	OFF	Aanpassing van beschikbare bereik voor de volgende parameters: draadaanvoersnelheid, boogspanning, boogdynamiek, fijninstellingen voor pulsen. Kan alleen worden gebruikt wanneer het programmabeheer is ingeschakeld en de programma's zijn geblokkeerd.
CAL	OFF – on		OFF	Deze parameter schakelt de afstandsbediening of potentiometertoorts in/uit tijdens het inschakelen van voedingsbronnen.
AdJ	Loc -- rC		Loc	Selecteer aanpassing Draadsnelheid en boogspanning: - Loc: Lokaal op de stroombron - rC: afstandsbediening of toorts potentiometer
L	0 – 50	1 uH	14	Kalibratie van toorts en aardkabel
r	0 – 50	1 Ω	8	Instelling/weergave van kabel
SoF	no – yES		no	Instelling/weergave van kabelweerstand
FAC	no – yES		no	Software-updatemodus.

Lijst met parameters die toegankelijk zijn in het menu CYCLE				
Display links	Display rechts	Stap	Standaard	Beschrijving
tPt	00.5 – 10.0	0,1 s	0,5	Spottijd. De instellingen voor warme start, stroomafname en reeksen kunnen niet worden gewijzigd in de "Spot"-modus en "Manual"-modus.
PrG	00.0 – 10.0	0,1 s	0,5	Gastoevoertijd.
tHS	OFF – 00.1 – 10.0	0,1 s	0,1	Tijd voor warme start.
IHS	-- 70 – 70	1 %	30	Stroom voor warme start (draadaanvoersnelheid). X% ± de lasstroom.
UHS	-- 70 – 70	1 %	0	Spanning voor warme start. X% ± de boogspanning.
dYn	--10 + 10 --20 – 20	1 %	0	Fijninstelling van korte boog.
rFP	--10 + 10 --20 + 20	1 %	0	Fijninstelling van pulsmodus.
dyA	00 – 100	1	50	Dynamiek voor boogontsteking bij elektrode.
tSE	OFF – 0.01 – 2.50	0,01 s	OFF	Reekstijd (alleen in synergiemodus).
ISE	--90 + 90	1 %	30	Stroomniveau voor reeks. X% ± de lasstroom.
dSt	OFF – 00.1 – 05.0	0,1 s	OFF	Stroomafnametijd.
DdSI	-- 70 – 00.0	1 %	-- 30	Stroom voor stroomafnametijd (draadaanvoersnelheid). X% ± de lasstroom.
dSU	-- 70 – 70	1 %	0	Spanning voor stroomafnametijd. X% ± de boogspanning.
Pr_	0.00 – 0.20	0,01 s	0,05	Anti-hechtingstijd
PrS	Nno – yES		no	Inschakeling van Pr-Spray.
PoG	00.0 – 10.0	0,05 s	0,05	Gasafnametijd.

NB : De DIGISTEEL III 420-520 / DIGIPULS III 420-520 heeft een mogelijkheid om het programmamenu te vergrendelen. Deze functie is beschikbaar op het programmascherm en bevindt zich onder de optie "Cod". Wanneer een vergrendelingscode is ingevoerd, moet deze worden genoteerd om de functie weer uit te schakelen.

3.3.4. Programma's openen met de trekker

Met deze functie kunt u 2 tot 10 programma's aan elkaar koppelen. De functie is alleen beschikbaar in de 4T-lasmodus. Bovendien moet de modus voor programmabeheer actief zijn.

Programma's schakelen:

De functie om programma's te openen werkt voor de programma's P50 t/m P99 en per tientallengroep:

⇒ P50→P59; P60→P69; P70→P79; P80→P89; P90→P99

Selecteer eerst het programma waarmee u de reeks wilt beginnen. Wanneer u vervolgens tijdens het lassen op de trekker drukt, wordt het volgende programma geactiveerd.

U kunt minder dan 10 programma's koppelen door in het programma aan het einde van de lus een andere parameter (bijv. voor de synergiemodus of lasecyclus) te plaatsen.

U kunt de tijd voor het indrukken van de trekker en de bijbehorende overschakeling naar een ander programma als volgt configureren: "SETUP" → "CPT" → voer een waarde in van 1 tot 100 → sluit het menu "SETUP".

Voorbeeld: Een programmalijst maken met de programma's P50 t/m P56 (6 programma's).

- 1) Kies in programma P56 een andere lasecyclus of synergie dan in P55 om de keten te beëindigen;
- 2) Selecteer programma P50 (het programma waarmee u de lasecyclus wilt starten);
- 3) Start de lasecyclus;
- 4) Elke keer wanneer u op de trekker drukt, wijzigt het programma in de voedingsbron. Dit gaat door totdat programma P55 is bereikt. Wanneer het einde van de reeks is bereikt, start de voedingsbron weer bij P50.

3.3.5. Automatisering

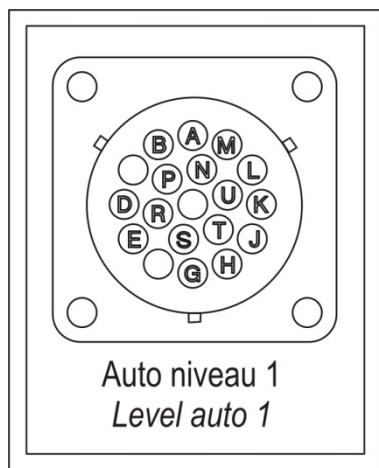
a) De **DIGIPULS III** kunnen op een eenvoudige manier geautomatiseerd worden. Daarvoor moet men de stekker J2 die achteraan de post zit, aansluiten.

De draadaanduidingen zijn de volgende: NIVEAU N1

Uitgang contact intensiteit RI: droog contact	K van J2
Uitgang contact intensiteit gemeenschappelijk RI: droog contact	L van J2
Defect	T van J2
Gemeenschappelijk defect	L van J2
Ingang Trekker (+): op een droog contact plaatsen	U van J2
Ingang Trekker (-): op een droog contact plaatsen	M van J2

de sluiting van het contact RI te valideren moet men « Aut » in het submenu « Automatisch » van de SETUP op de waarde Dep instellen».

De vertraging van de sluiting van het contact wordt door de waarde « Dep » in het submenu « Niveau » van de SETUP geregeld.



N.B.: De standaardmodus is handmatig.

Het geselecteerde gebruikstype wordt zichtbaar gemaakt door het rechter display.

SELECTIE VAN DE AUTOMATISCHE MODUS MET AANSTURING OP AFSTAND DOOR ANALOGIE INSTELLING

1. Plaats de keuzeknop aan de voorkant van de generator op « **SEt -UP** ».
2. Na indrukken van de knop "OK", selectie van het display « **Con FIG** ».
3. Kies met de linker selector het display « **Aut** » links.
4. Kies met de linker selector het display « **n1** » rechts.

4 - OPTIES, ACCESSOIRES

4.1 - HASPELAAR DVU P400, REF. W000275266



4.2 - HASPELAAR DVU P500, REF. W000275267



4.3 - KOELSYSTEEM, REF.W000273516



4.4 - AFSTANDBEDIENING RC JOB, Réf. W000273134



4.5 - AFSTANDBEDIENING 2 POTENTIOMETRES, Réf. W000275904



Functies van de afstandsbediening:

Draadsnelheid aanpassen tijdens lassen en einde van lascyclus;

Boogspanning aanpassen tijdens lassen en einde van lascyclus

4.6 - FILTRE A POUSSIERES, Réf. W000373703

4.7 - CHARIOT UNIVERSEL, Réf. W000383000



Maakt het mogelijk om de voedingsbron door de werkplaats te rijden.

4.8 - OPTION CHARIOT CHANTIER, Réf. W000372274

4.9 - OPTION SECURITE DE DEBIT, Réf. W000376539

4.10 - OPTION PUSH PULL, Réf. W000275907

4.11 - OPTION DEBITLITRE, Réf. W000376539

5 - BUNDEL ET TOORTS

5.1. BUNDEL

Bundel LUCHT 2 M – 70 MM ²	réf. W000275894
Bundel LUCHT 5 M – 70 MM ²	réf. W000275895
Bundel LUCHT 10 M – 70 MM ²	réf. W000275896
Bundel LUCHT 15 M – 70 MM ²	réf. W000275897
Bundel LUCHT 25 M – 70 MM ² (sur cde)	réf. W000276901
Bundel LUCHT 30 M – 70 MM ² (sur cde)	réf. W000371246
Bundel LUCHT 40 M – 70 MM ² (sur cde)	réf. W000371245
Bundel LUCHT 50 M – 70 MM ² (sur cde)	réf. W000371244

Bundel WATER 2 M – 95 MM ²	réf. W000275898
Bundel WATER 5 M – 95 MM ²	réf. W000275899
Bundel WATER 10 M – 95 MM ²	réf. W000275900
Bundel WATER 15 M – 95 MM ²	réf. W000275901
Bundel WATER 25 M – 95 MM ² (sur cde)	réf. W000276902
Bundel WATER 50 M – 95 MM ²	Nous consulter

Bundel WATER ALU 2 M – 95 MM ²	réf. W000371044
Bundel WATER ALU 5 M – 95 MM ²	réf. W000371045
Bundel WATER ALU 10 M – 95 MM ²	réf. W000371175
Bundel WATER ALU 15 M – 95 MM ²	réf. W000371174
Bundel WATER ALU 25 M – 95 MM ²	réf. W000371239

5.2. TOORTS

PROMIG NG 341 - 3 M	réf. W000345066
PROMIG NG 341 - 4 M	réf. W000345067
PROMIG NG 341 - 5 M	réf. W000345068

PROMIG NG 341 W - 3 M	réf. W000345069
PROMIG NG 341 W - 4 M	réf. W000345070
PROMIG NG 341 W - 5 M	réf. W000345071

PROMIG NG 441 - 3 M	réf. W000345072
PROMIG NG 441 - 4 M	réf. W000345073
PROMIG NG 441 - 5 M	réf. W000345074

PROMIG NG 441W - 3 M	réf. W000345075
PROMIG NG 441W - 4 M	réf. W000345076
PROMIG NG 441W - 5 M	réf. W000345077

PROMIG NG 450W - 3 M	réf. W000274865
PROMIG NG 450W - 4 M	réf. W000274866
PROMIG NG 450W - 5 M	réf. W000274867

5.3. TOORTS PUSH PULL

PROMIG PP 341 8M	réf. W000385860
PROMIG PP 441W 8M	réf. W000385862
PROMIG PP 341 8M AVEC POTENTIOMETRE	réf. W000385861
PROMIG PP 441W 8M AVEC POTENTIOMETRE	réf. W000385863

5.4. TOORTS A POTENTIOMETRE

DIGITORCH P 341 - 4M	réf. W000345014
DIGITORCH P 341W - 4M	réf. W000345016
DIGITORCH P 441W - 4M	réf. W000345018

Outre les fonctions d'une torche standard, elle permet : de régler la vitesse fil et la longueur d'arc hors et en soudage

6 - ONDERHOUD

6.1. ALGEMEEN

Inspecteer twee keer per jaar, afhankelijk van het gebruik van het apparaat, de volgende zaken:

- ⇒ Hoe schoon de voedingsbron is;
- ⇒ De aansluitingen voor stroom en gas.

WAARSCHUWING:



Voer nooit reinigingswerkzaamheden of reparaties uit in het apparaat voordat u zeker weet dat het helemaal is ontkoppeld van het lichtnet.

Verwijder de panelen van de generator en verwijder stof en metalen deeltjes die zich tussen de magnetische circuits en de wikkelingen van de transformator hebben verzameld met behulp van een stofzuiger.

Werkzaamheden moeten worden uitgevoerd met een plastic punt om schade aan de isolatie van de wikkelingen te voorkomen.

Controleer steeds wanneer u het product start en voordat u de klantenservice belt voor technische service of

- ⇒ De voedingsklemmen goed zijn vastgedraaid.
- ⇒ De geselecteerde netspanning klopt.
- ⇒ Er voldoende gas wordt aangevoerd.
- ⇒ De draad van het juiste type en met de juiste diameter is.
- ⇒ In welke staat de toorts zich bevindt.

TWEE KEER PER JAAR :



- ⇒ Kalibreer de stroom- en spanningsinstellingen.
- ⇒ Controleer de elektrische aansluitingen voor de stroom-, regel- en voedingscircuits.
- ⇒ Controleer de staat van de isolatie, kabels, aansluitingen en leidingen
- ⇒ Reinig het apparaat onder hoge druk.

6.2. ROLLEN EN GELEIDERS

Deze accessoires hebben onder gewone omstandigheden een lange levensduur voordat ze moeten worden vervangen.

Soms kan echter na gebruik overmatige slijtage of verstopping optreden als gevolg van afzettingen.

Houd de draadaanvoerplaat schoon om dergelijke schadelijke effecten tot een minimum te beperken.

De motorreductor vereist geen onderhoud.

6.3. TOORTS

Controleer regelmatig of de aansluitingen van de voedingsbron goed zijn vastgedraaid. Mechanische stress als gevolg van thermische schokken kan ertoe leiden dat sommige onderdelen van de toorts losraken. Het gaat daarbij vooral om::

- ⇒ De contactbuis;
- ⇒ De coaxkabel;
- ⇒ Het mondstuk van de toorts;
- ⇒ De snelkoppeling.

Controleer of de pakking van de gasinlaat in goede staat is.

Verwijder spatten tussen de contactbuis en het mondstuk en tussen het mondstuk en de "rok".

U kunt spatten eenvoudig verwijderen wanneer u de procedure regelmatig uitvoert.

Gebruik geen harde gereedschappen die het oppervlak van deze onderdelen kunnen beschadigen en ertoe kunnen leiden dat de spatten eraan hechten.

- ⇒ SPRAYMIG SIB, W000011093
- ⇒ SPRAYMIG H20, W000010001

Blaas de voering schoon nadat u een katrol hebt vervangen. Voer deze procedure uit vanaf de zijkant van de snelkoppeling voor de toorts.

Vervang de inlaatgeleider op de toorts zo nodig.

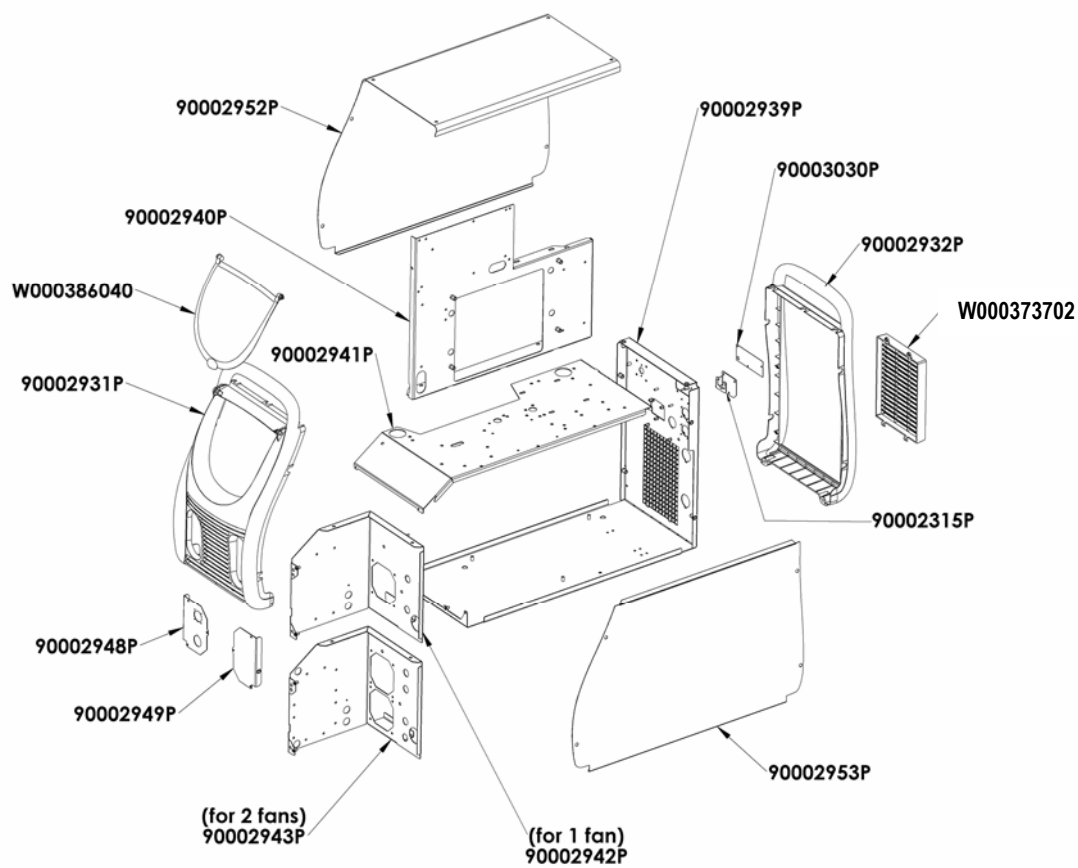
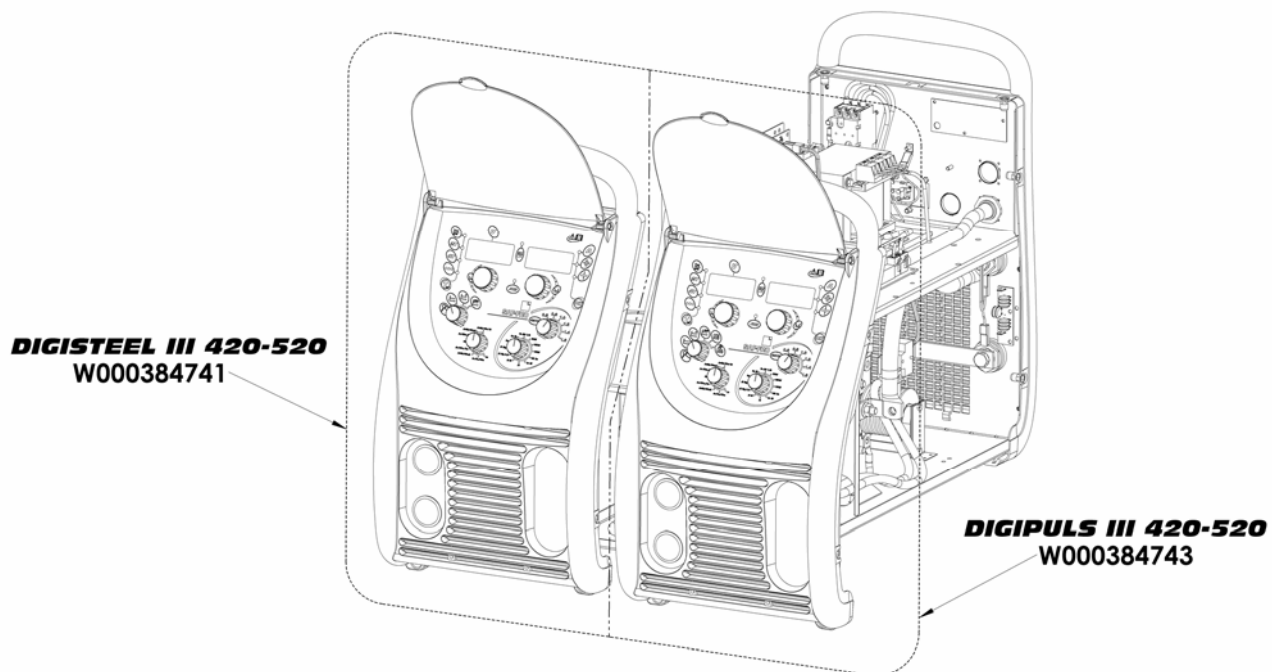
Ernstige beschadigingen aan de geleider kunnen ertoe leiden dat gas naar de achterkant van de toorts lekt.

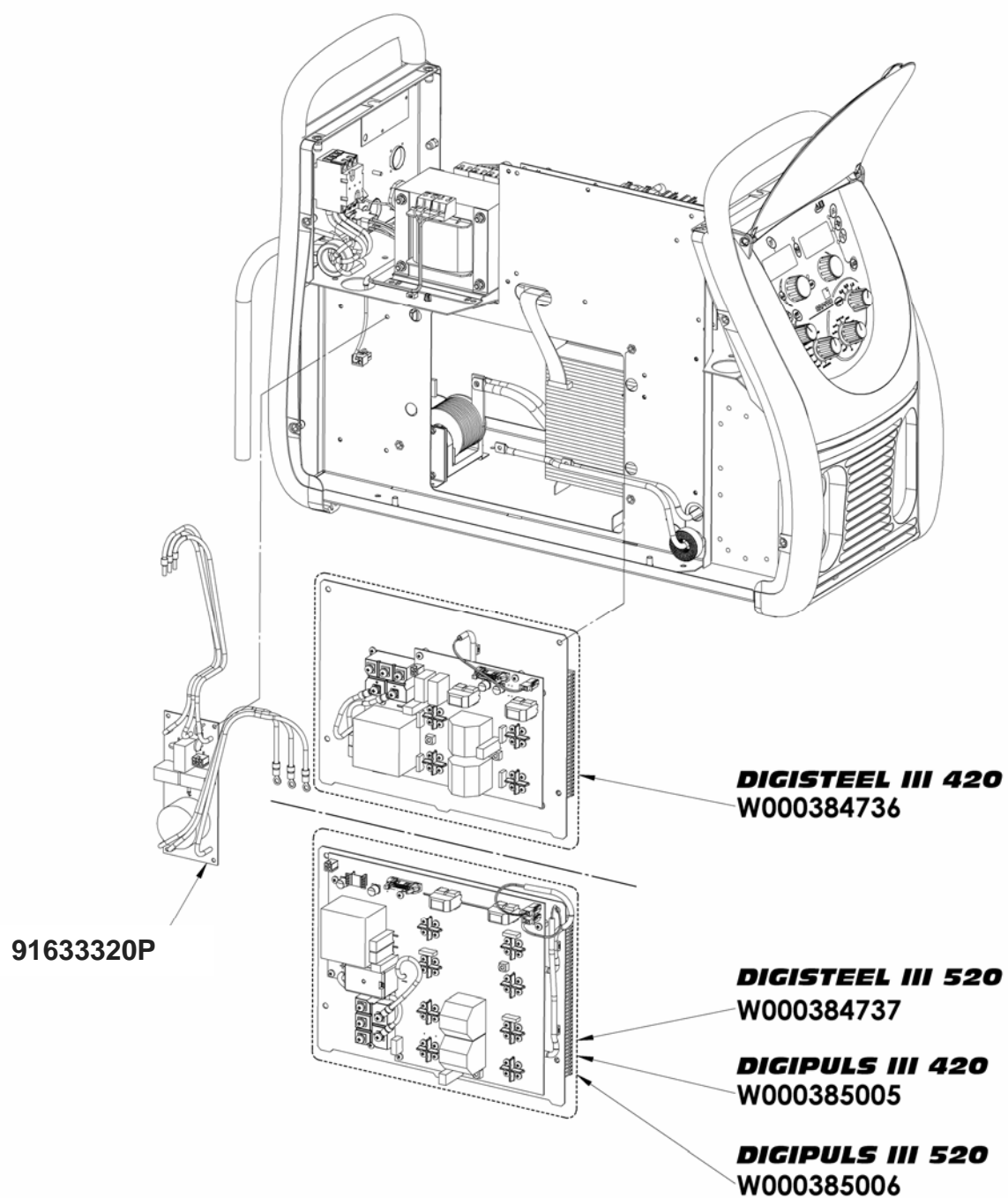
De contactbuizen zijn speciaal ontwikkeld voor langdurig gebruik. Ze slijten echter doordat de lasdraad ze passeert, waardoor de opening groter kan worden dan is toegestaan voor goed contact tussen de buis en de draad.

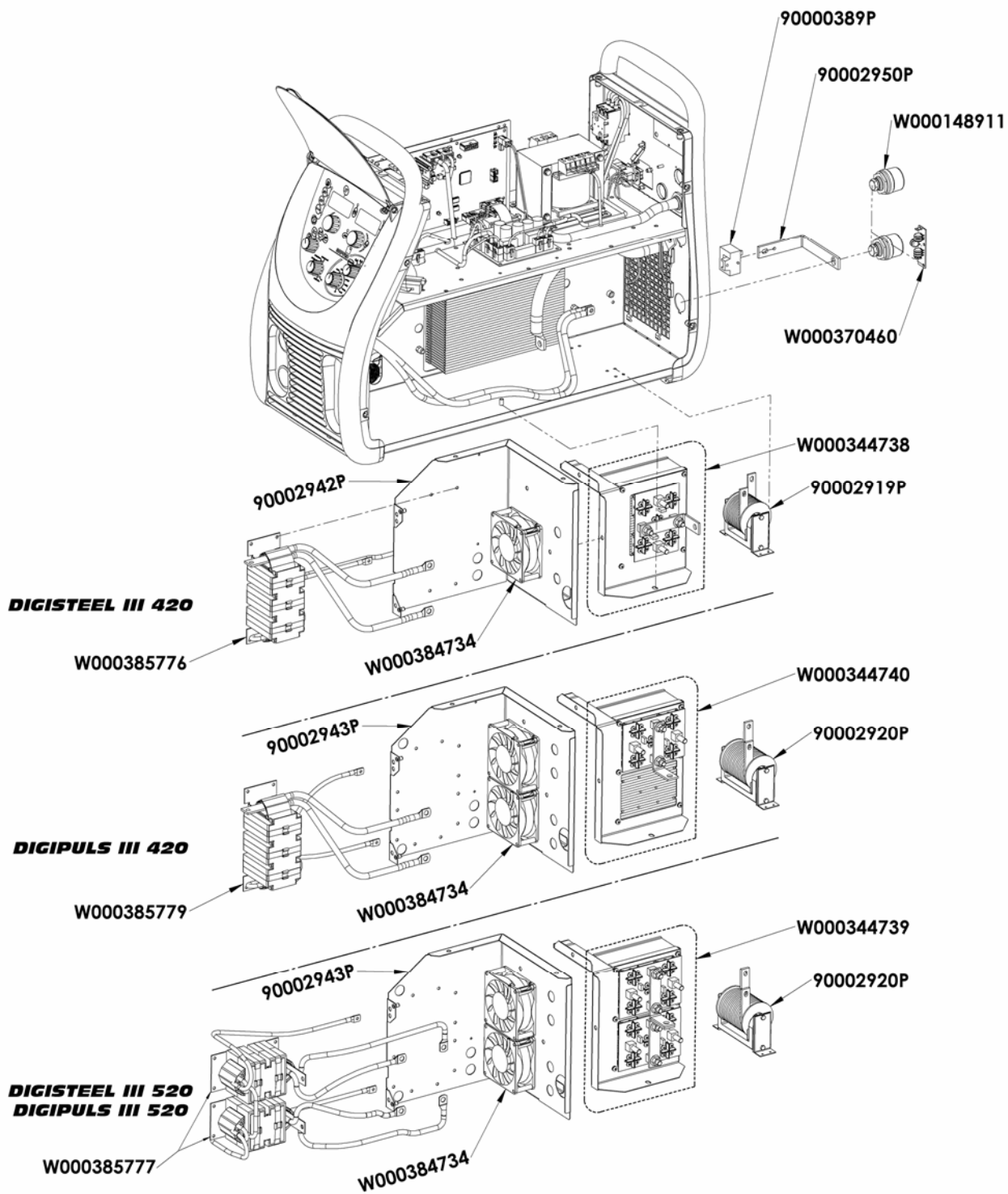
Ze moeten worden vervangen wanneer de doorvoer instabiel wordt terwijl er geen wijzigingen in de parameters zijn doorgevoerd.

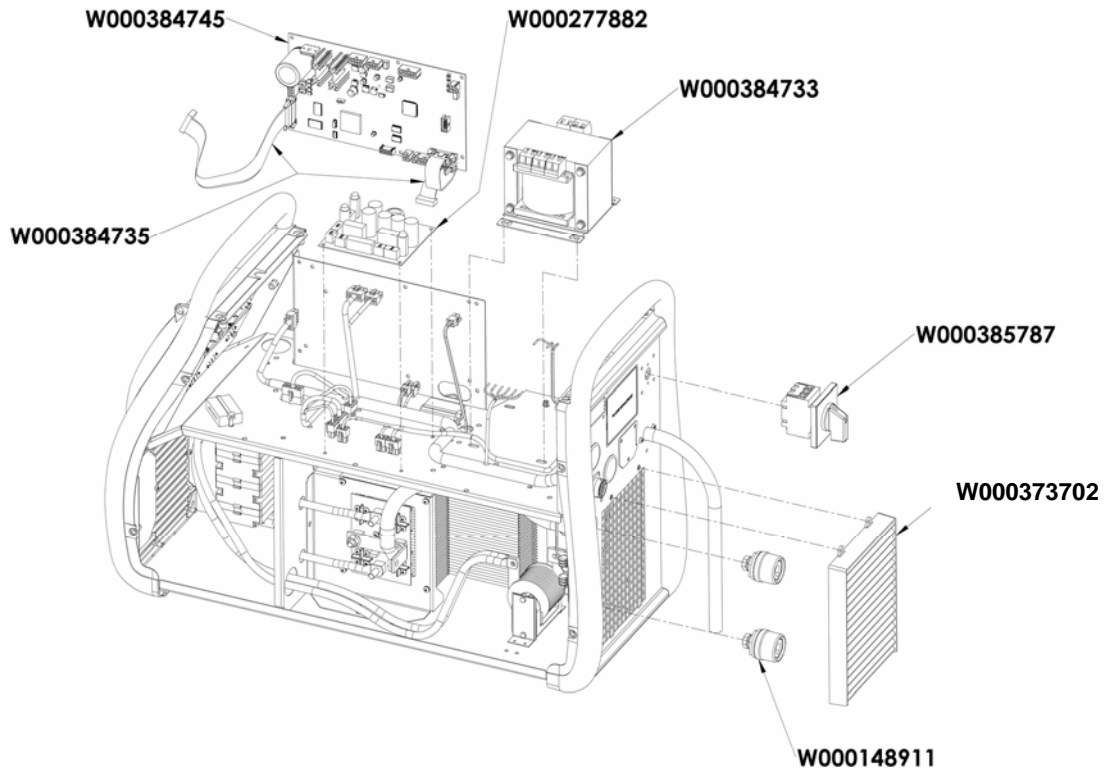
6.4. RESERVEONDERDELEN

Capots



Intern en omvormer:





6.5. PROBLEMEN OPLOSSEN

Onderhoud aan elektrische apparatuur mag alleen door bevoegde personeelsleden worden uitgevoerd

ORZAKEN	OPLOSSINGEN
DE GENERATOR IS INGESCHAKELD, MAAR HET DISPLAY IS UIT	
Voeding	Controleer het lichtnet (naar alle fasen).
E01 ond WORDT WEERGEGEVEN	
De maximale inschakelstroom voor de voedingsbron werd overschreden	Druk op "OK" om de fout te wissen. Neem contact op met de klantenservice wanneer het probleem blijft bestaan.
E02 inu WORDT WEERGEGEVEN	
De voedingsbron wordt slecht herkend (alleen tijdens het opstarten) De stekkers zijn defect	Controleer of de lintkabel tussen de printplaat van de omvormer en de cycluskaart goed is aangesloten.
E07 400 WORDT WEERGEGEVEN	
De netspanning is onvoldoende	Controleer of de netspanning binnen het toegestane bereik van +/- 20% ten opzichte van de primaire voeding van de voedingsbron valt.
E24 SE_n WORDT WEERGEGEVEN	
De temperatuursensor veroorzaakt een storing	Controleer of stekker B9 goed is aangesloten op de cycluskaart. Wanneer dat niet zo is, wordt er geen temperatuurmeting uitgevoerd. De temperatuursensor werkt niet meer. Bel de klantenservice.
E25°C WORDT WEERGEGEVEN	
De voedingsbron is oververhit Ventilatie	Laat de generator afkoelen. De fout verdwijnt automatisch na een aantal minuten. Controleer of de ventilator van de omvormer werkt.
MEM-LIM E33 WORDT WEERGEGEVEN Dit bericht geeft aan dat het geheugen niet langer werkt	
Er is een storing opgetreden tijdens het opslaan in het geheugen.	Bel de klantenservice.
E34 CFG WORDT WEERGEGEVEN	
Inconsistent selectie parameter Bv 4T mode auto N1	Breng een consistente selectie
E43 brd WORDT WEERGEGEVEN	
Elektronische kaart in gebreke	Bel de klantendienst.
E50 H2o WORDT WEERGEGEVEN	
De koeler werkt niet	Controleer of het koelsysteem is aangesloten. Controleer de onderdelen van het koelsysteem, zoals de transformator en waterpomp. Schakel de parameter uit in het menu "SETUP" wanneer u geen koelsysteem gebruikt.
E63 IMO WORDT WEERGEGEVEN	
Mechanisch defect	te strak pinch rollers afgehaspeld schede dirty rem as te strak levering spoel.
E65-Mot WORDT WEERGEGEVEN	
De stekkers zijn defect Mechanisch probleem Voeding	Controleer de aansluiting van de lintkabel van de bedieningsknop met de motor van de draadaanvoer. Controleer of de draadaanvoer niet is geblokkeerd. Controleer de aansluiting op de voeding van de motor. Controleer F2 (6 A) op de hulpkaart.
E71 -DIA-MET-GAS WORDT WEERGEGEVEN	
HMI selector PROCESS-DIAMETER-METAL-GAS in gebreke	Draai selector om te ontgrendelen, na klantenservice als altijd in standaard
StE PUL WORDT WEERGEGEVEN	
De omvormer wordt niet goed herkend	Bel de klantenservice.
I-A-MAXX WORDT WEERGEGEVEN	
De voedingsbron heeft zijn maximale stroomwaarde bereikt	Verlaag de draadaanvoersnelheid of boogspanning

bPXon WORDT WEERGEGEVEN

Bericht dat aangeeft dat de OK-toets of de toets CANCEL wordt gehouden depressief op onverwachte momenten

Druk op de knop om te ontgrendelen, na oproep klantenservice als altijd in gebreke

SPEXXX WORDT WEERGEGEVEN

Draadaanvoer wordt altijd onvrijwillig geactiveerd

Controleer de draad voederen knop wordt niet geblokkeerd
Controleer de aansluiting van deze knop en elektronische raad

LOA DPC WORDT WEERGEGEVEN

UPDATE software door PC wordt onvrijwillig geactiveerd

Stop en start de stroombron, na oproep klantenservice als altijd in standaard

TRIGGER WORDT WEERGEGEVEN

Dit bericht wordt gegenereerd wanneer de trekker wordt overgehaald op een moment waarop per ongeluk een cyclus kan worden gestart

De trekker wordt overgehaald voordat de voedingsbron is ingeschakeld of tijdens het opnieuw instellen van het systeem.

GENERATOR / NO AFWIKKELEN OF CONTROL GAS

Beam connectors

Controleer de aansluiting van de bundel aansluiting op de achterkant van de post en op de haspel: Controleer de status van de contacten

**GEEN LASVERMOGEN
GEEN FOUTMELDING**

De voedingskabel is niet aangesloten
Fout in de voedingsbron

Controleer de aansluiting van de aardingsstrip en van de kabelboom
Controleer in de modus voor gecoate elektroden de spanning tussen de klemmen aan de achterzijde van de generator. Bel de klantenservice wanneer er geen spanning wordt gemeten.

KWALITEIT VAN LASWERKZAAMHEDEN

Verkeerde afstelling

De toorts en/of aardingsstrip of het werkstuk is gewijzigd

Instabiele of schommelende lascycli

Instabiele of schommelende lascycli

Beperkt bereik van instellingen

Slechte voeding door voedingsbron

Controleer de parameter voor fijnafstelling (RFP = 0)
Kalibreer de instellingen opnieuw. Controleer of het lascircuit het juiste elektrische contact heeft.
Controleer of de sequencer niet is ingeschakeld. Controleer de instellingen voor de warme start en voor stroomafnametijden.
Selecteer de handmatige modus. De beperking is het gevolg van regels t.a.v. de compatibiliteit van synergiën.
Wanneer u een RC-taak gebruikt, dient u te controleren of u geen wachtwoord hebt ingesteld.
Controleer of de drie voedingsfasen goed zijn aangesloten.

OVERIGE

Draad vast in smeltbad of bij contactbuis

Het "TriG"-bericht wordt getoond tijdens het inschakelen

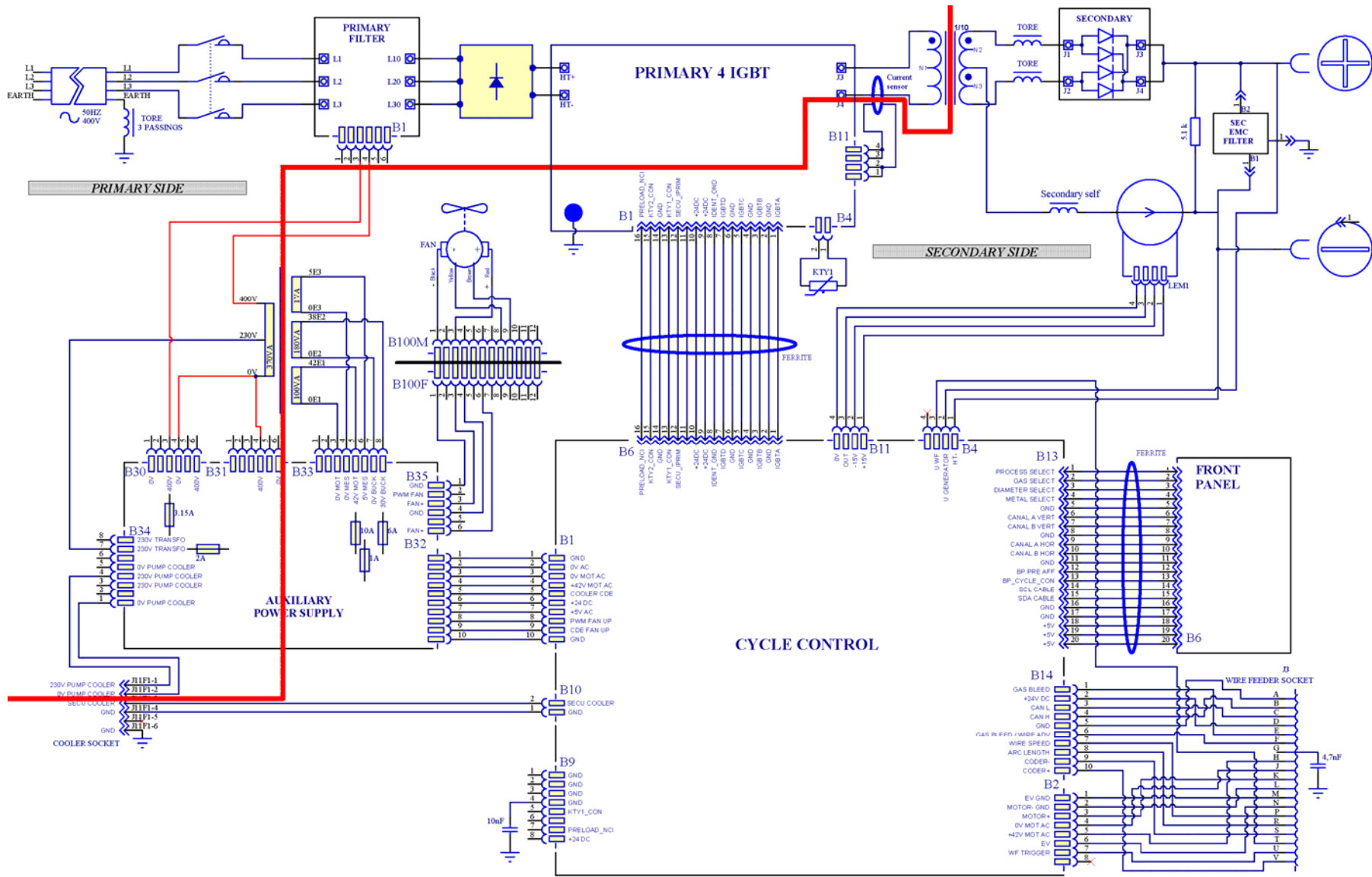
Optimaliseer de parameters voor het ontsteken van de bogo: PR-spray en terugtrekken na cyclus
Dit bericht wordt getoond wanneer de trekker is ingeschakeld voordat het systeem werd gestart

Stel de fabrieksinstellingen voor de parameters opnieuw in wanneer de problemen blijven bestaan. U kunt dit doen door het systeem uit te schakelen, via het display aan de voorkant naar het menu "SETUP" gaan en op "OK" te drukken terwijl u de generator inschakelt.

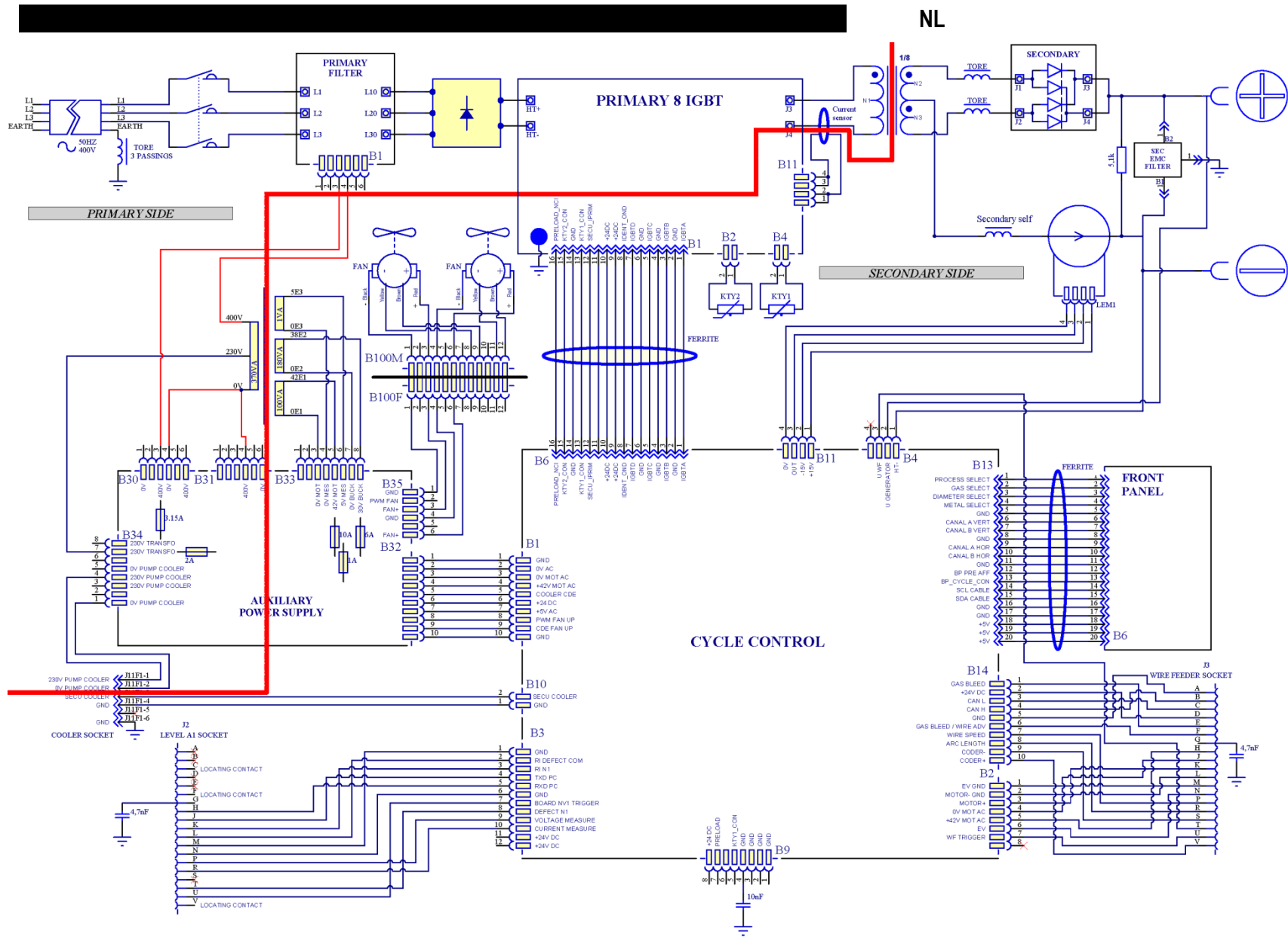
NB:

Registreer eventueel eerst de actieve parameters, want alle programma's in het geheugen worden verwijderd. Neem contact op met de klantenservice wanneer het herstellen van de fabrieksinstellingen geen oplossing is.

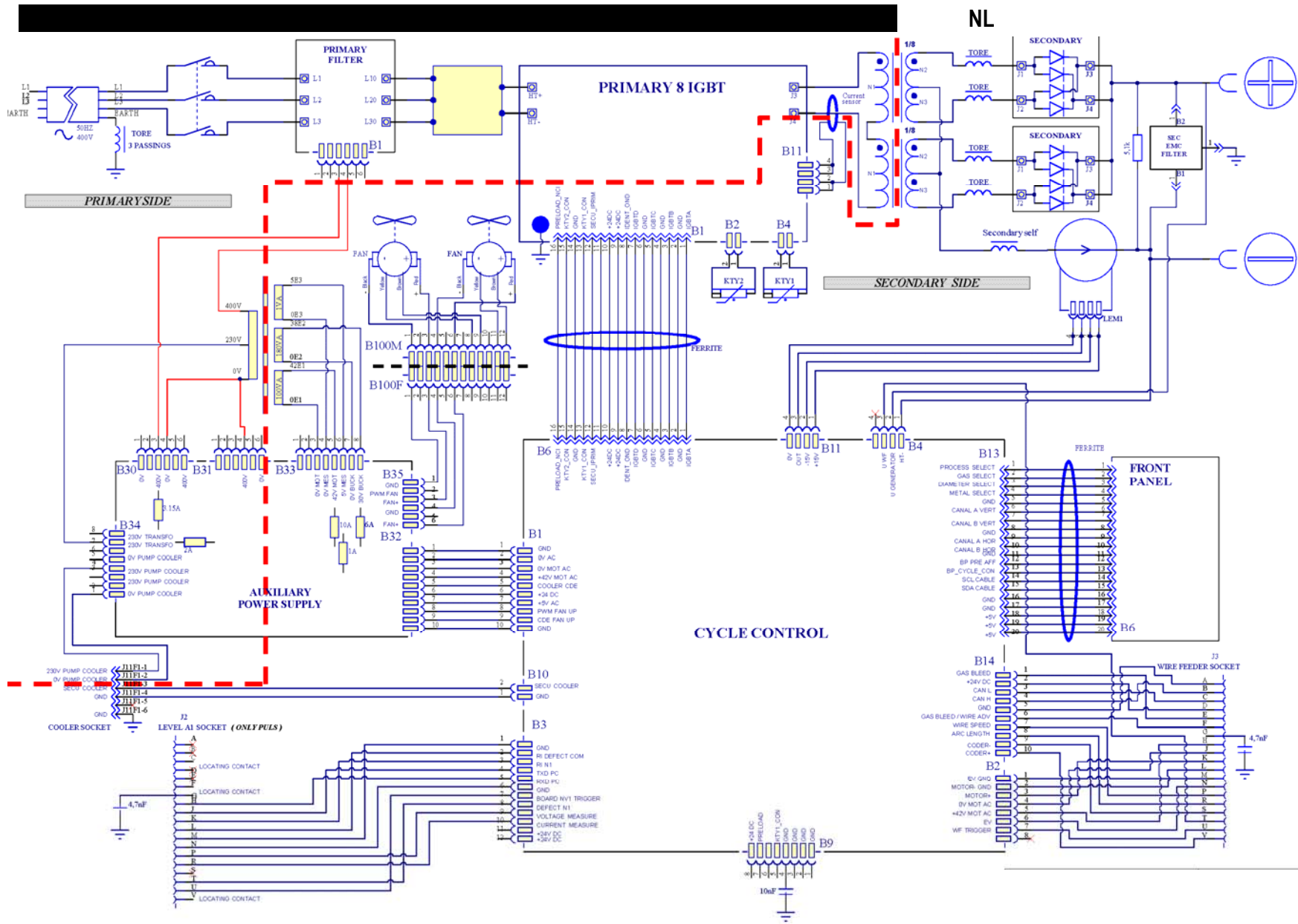
6.6. BEDRADINGSSHEMA



DIGISTEEL III 420A



DIGIPULS III 420A



III 520A

DIGISTEEL III – DIGIPULS

7 - BIJLAGEN

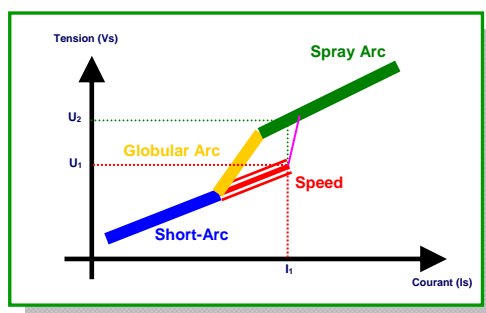
7.1. OVERZICHT VAN LASPROCESSEN

De DIGISTEEL III 420-520 / DIGIPULS III 420-520 gebruikt voor koolstofstaal en roestvrij staal 3 soorten korte bogen:

- + le short arc "doux" ou « lisse »
- + le short arc « dynamique » ou « SSA »
- + Le short arc HPS

U kunt gepulseerd MIG-lassen voor alle soorten metaal (staal, roestvrij staal en aluminium). Daarbij kunt u enkelvoudige en gevulde draden gebruiken. Dit is vooral handig voor roestvrij staal en aluminium, waarvoor dit het ideale proces is omdat spatten worden vermeden en uitstekende fusie van de draad wordt bereikt..

- + Eigenschappen van de boog



"Zachte" en "soepele" korte bogen (SA)

De "zachte" korte boog leidt tot een **flinke afname van spatten** tijdens het lassen van koolstofstaal, waardoor de kosten voor de afwerking aanzienlijk worden verlaagd.

Doordat het smeltbad beter wordt bevochtigd, ziet de slak er beter uit.

De "zachte" korte boog is geschikt voor laswerkzaamheden in alle posities. Dankzij de hogere draadaanvoersnelheid kan de "sproei-boogmodus" worden gestart zonder dat overgang naar de bolvormige modus wordt voorkomen.

Golfvorm van lasproces met korte boog



NB: De "zachte" korte boog is iets krachtiger dan de "snelle" korte boog. Daarom kan de "snelle" korte boog de voorkeur genieten boven de "zachte" korte boog wanneer u uiterst dunne platen (≤ 1 mm) moet lassen of wanneer u gaten moet dichten..



Dynamische" of "snelle" korte boog (SSA)

De snelle korte boog (SSA) biedt meer wendbaarheid bij het lassen van koolstofstaal en roestvrij staal en absorbeert bewegingen van de lasser, bijvoorbeeld tijdens het lassen in moeilijke posities. De modus helpt daarnaast om verschillen die tijdens de voorbereiding van werkstukken zijn ontstaan te compenseren..

Wanneer u de **draadaanvoersnelheid verhoogt**, gaat de SA-modus naadloos over in de SSA-modus, terwijl de bolvormige modus wordt vermeden.

Dankzij de snelle boogregeling en de juiste programma's kan de DIGISTEEL III 420-520 / DIGIPULS III 420-520 kunstmatig het bereik van de korte boog verlengen tot hogere stroomsterktes binnen het bereik van de **snelle korte boog**

Golfvorm van lasproces met snelle korte boog



De snelle korte boog bant de "bolvormige" modus met zijn zware en plakkerige spatten over en kan dankzij de hogere energie dan de korte boog:

- ⇒ De mate van verstoring bij hoge lasstromen, gebruikelijk voor "bolvormige" laswerkzaamheden, verminderen;
- ⇒ De hoeveelheid spatten ten opzichte van de bolvormige modus verminderen;
- ⇒ Goede lasresultaten bieden;
- ⇒ Rook verminderen ten opzichte van gewone modi (tot wel 25% minder);
- ⇒ Goede afgeronde resultaten behalen;
- ⇒ Laswerkzaamheden in alle posities ondersteunen.

NB: De CO₂-programma's gebruiken automatisch en uitsluitend de "zachte" korte boog. De snelle korte boog is dan geblokkeerd. De "dynamische" korte boog is vanwege de instabiliteit niet geschikt voor CO₂-lassen..



HPS – Hoge penetratiesnelheid

HPS is een lasproces dat werd ontwikkeld door LE en waarin de voordelen van de sproeihoog- en korte boogmodi worden gecombineerd.

Omdat de lasspanning lager is dan bij de klassieke sproeihoogmodus, is de lasenergie lager en komt er minder druk op de lasmaterialen te staan. Beheerd door een goed aangepaste digitale regeleenheid

HPS biedt de volgende voordelen:

- Een zeer wendbare boog, ondanks de gebruikte hoge lasmodus
- Een langer uitsteeksel waardoor tijdens de voorbereidingsboog ook de onderzijde van een schuine kant kan worden gelast
- Verhoogt de penetratie en vermindert of voorkomt schuine randen
- Verhoogt de productiviteit en vermindert de voorbereidingen, terwijl de aanvoersnelheid van het vulmateriaal wordt verhoogd
- Voorkomt dat het grondmateriaal aan de onderzijde wordt aangetast

Voor meer informatie kunt u een HPS-brochure aanvragen of contact opnemen met uw lasspecialist.



NORMALE GEPULSEERDE MIG-MODUS

De overdracht van metalen in de boog vindt plaats door druppels die loslaten als gevolg van stroompulsen. De microprocessor berekent alle parameters per draadaanvoersnelheid voor de gepulseerde MIG-modus om uitstekende las- en ontstekingsresultaten te garanderen.

De gepulseerde MIG-modus biedt de volgende voordelen:

- + Minder verstoringen bij hoge stroomsterktes in de gewone "bolvormige" lasmodus en bereiken voor sproeibogen;
- + Gebruik in alle lasposities;
- + Uitstekende smelting van draden van roestvrij staal en aluminium;
- + Bijna volledige uitbanning van spatten, waardoor dus minder afwerking nodig is;
- + Mooie slakken;
- + Minder rook in vergelijking met gewone methoden en zelfs ten opzichte van snelle korte boog (tot wel 50%) minder.

De gepulseerde programma's voor het lassen van roestvrij staal met de **DIGIPULS III 420-520** leiden tot minder kleine spatten op dunne platen bij uiterst lage draadaanvoersnelheden, die gewoonlijk het gevolg zijn van sproeiend metaal op het moment dat de druppel loslaat. De hevigheid van dit fenomeen hangt af van het type draad en van de herkomst van de draad.

Deze programma's voor roestvrij staal zijn verbeterd, waardoor ze beter werken bij lagere stroomsterkten. Bovendien is de flexibiliteit voor gebruik bij dunne platen in de gepulseerde MIG-modus verhoogd.

Uitstekende resultaten voor het lassen van dunne platen van roestvrij staal (1 mm) worden verkregen wanneer de gepulseerde MIG-modus wordt gebruikt met draad van Ø 1 mm in M12 of M11 (een gemiddeld vermogen van 30 A is acceptabel).

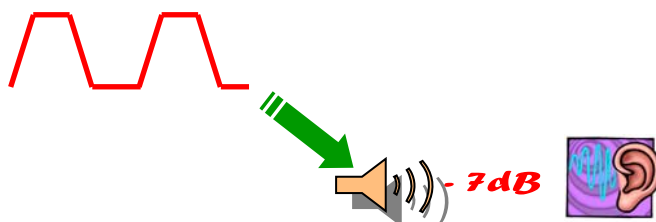
Verbindingen die zijn gemaakt met behulp van de **DIGIPULS III 420-520** zijn van een kwaliteit die vergelijkbaar is met de resultaten van TIG-lassen.



De geluidsabsorberende Gepulseerde (SSP)

Beschikbaar voor de Ø1 en 1,2 mm in staal of roestvrij staal; deze nieuwe impulssynergieën maken het volgende mogelijk :

- + substantiële vermindering van het lawaai van de boog
- + een zachtere boog met meer energie, en met een grotere fading
- + een warmer bad, en bijgevolg een goed bevochtigde lasstreng



noot: door de geluidsabsorberende gepulseerde mig kan men in een aangenaamere omgeving lassen. het zorgt voor meer energie in het bad en kan dus zeer gemakkelijk vlak gebruikt worden, maar het is niet heel handig voor standlaswerkzaamheden.

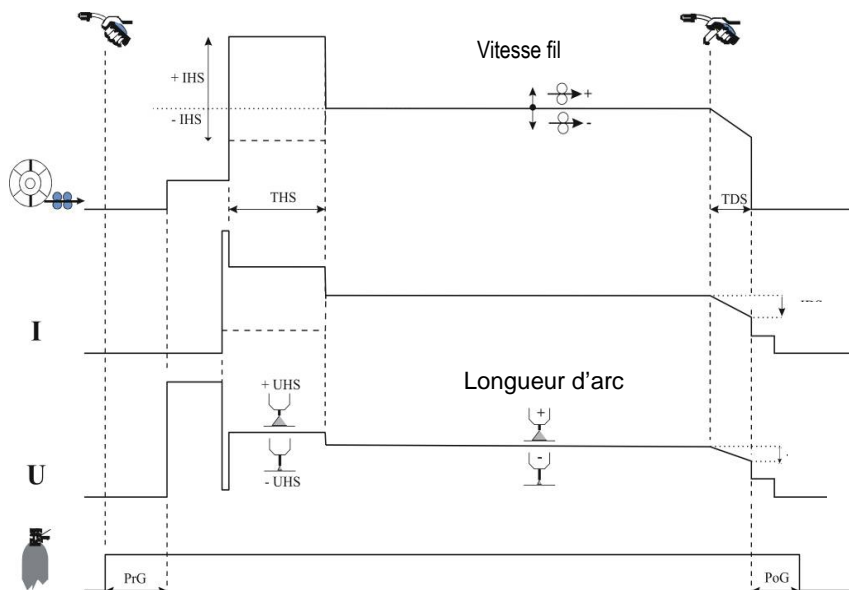
7.2. GEAVANCEERDE LASCYCLUS

2-stappencyclus

Wanneer de trekker wordt overgehaald, worden de draadaanvoer en gastoevoer ingeschakeld. Ook wordt de lasstroom geactiveerd. Wanneer de trekker wordt losgelaten, stopt de lascyclus.

De cyclus voor warm starten wordt geregeld door de "**UHS=OFF**"-parameter in het submenu "Cycle" onder "SETUP". De parameter maakt het mogelijk om de lascyclus te starten met een stroompiek die de ontsteking mogelijk maakt.

De functie voor stroomafname maakt het mogelijk om de slak af te maken met een afnemende stroomsterkte.



4-stappencyclus

Wanneer de trekker wordt overgehaald, wordt de gastoevoer ingeschakeld. Daarna wordt de warme start gerealiseerd. Wanneer de trekker wordt losgelaten, start de lascyclus.

Wanneer de functie voor warm starten niet actief is, start de lascyclus direct na de gastoevoeractie. In dat geval heeft het loslaten van de trekker (2e stap) geen effect en zal de lascyclus worden voortgezet.

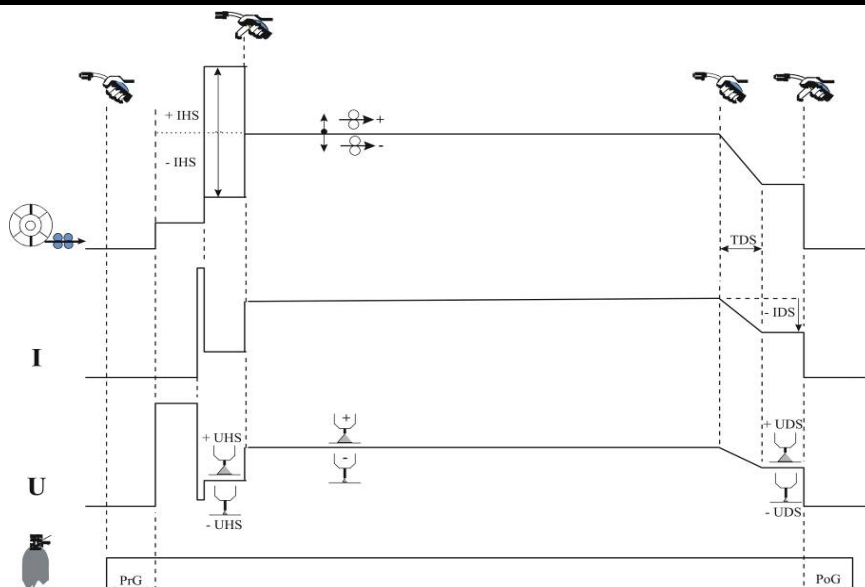
Wanneer de trekker tijdens de lascyclus (3e stap) wordt ingedrukt, kan de duur van de stroomafnametijd en antikraterfuncties worden geregeld. Daarbij houdt het systeem de eerder geprogrammeerde vertraging aan.

Wanneer er geen stroomafnametijd is ingesteld, zal de trekker direct overschakelen naar de gasafnametijd (zoals geprogrammeerd in het menu "Setup").

In de 4-stappenmodus (4T) stopt de antikraterfunctie wanneer u de trekker loslaat terwijl de stroomafnametijd is INGESCHAKELD.

Wanneer de stroomafnametijd is UITGESCHAKELD, stopt de gasafnamefunctie wanneer u de trekker loslaat.

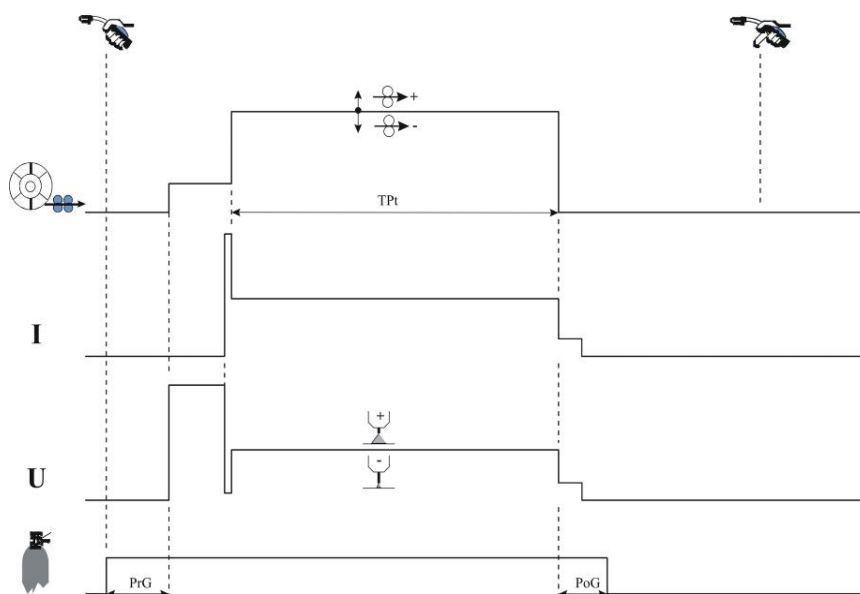
De functies voor warm starten en voor stroomafnametijd zijn niet beschikbaar in de handmatige modus.



Spotcyclus

Wanneer de trekker wordt overgehaald, worden de draadaanvoer en gastoevoer ingeschakeld. Ook wordt de lasstroom geactiveerd. Wanneer de trekker wordt losgelaten, stopt de lascyclus.

De instellingen voor warm starten, voor de stroomafnametijd en voor de sequencer zijn uitgeschakeld. De lascyclus stopt wanneer de vertragingstijd is verstreken.



Sequencycyclus

De sequencer wordt geregeld door de parameter "**tSE≠OFF**" in het specifieke submenu voor de cyclus onder "SETUP".

U kunt de parameter als volgt openen:

De parameter "tSE" wordt getoond in het menu "CYCLE".

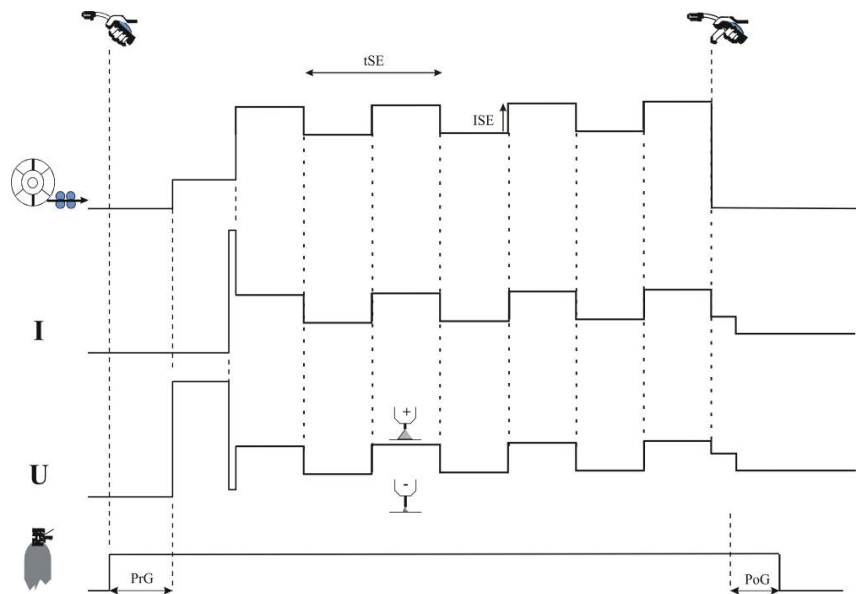
Stel de parameter in op een waarde tussen 0 en 9,9 seconden.

tSE: Duur van de 2 functies wanneer ≠ UIT.

ISE: 2e stroomniveau als % van het 1e niveau.

Alleen beschikbaar in de synergiemodus, 2T-cyclus en 4T-cyclus.

Sequencycyclus



Fijninstellingen (parameters kunnen worden aangepast in het configuratiemenu "rFP").

In de modus voor gepulseerd lassen maakt de fijninstelling het mogelijk om de plaats waar de druppels worden losgelaten te optimaliseren op basis van de samenstelling van de gebruikte draden en gassoorten.

Wanneer u in de boog fijne spatten waarneemt die aan het werkstuk blijven hangen, moet u wellicht negatieve waarden voor de fijninstellingen invoeren.

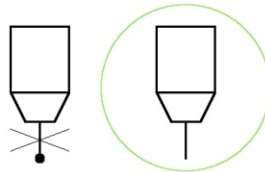
Wanneer de boog leidt tot grote druppels, moeten positieve waarden voor de fijninstellingen worden opgegeven.

In de modus met de korte boog, kan het verlagen van de fijninstelling leiden tot een dynamischer modus, terwijl de energie in het smeltbad vanwege de kortere booglengte juist wordt verminderd.

Een hogere instelling leidt tot een hogere booglengte. Een dynamischer boog ondersteunt lassen in alle posities, maar veroorzaakt ook meer spatten.

PR-spray en draden slijpen

U kunt het einde van lascycli zo configureren dat de vorming van een "bal" aan het einde van de lasdraad wordt vermeden. Daardoor is bijna perfecte ontsteking mogelijk. De geselecteerde oplossing bestaat uit het toepassen van een stroompiek aan het einde van de cyclus, waardoor het uiteinde van de lasdraad scherp wordt.



NB: Deze stroompiek aan het einde van de cyclus is niet altijd wenselijk. Bij laswerkzaamheden aan dunne metaalplaten kunnen bijvoorbeeld kraters ontstaan.

7.3. LIJST MET SYNERGIËN

SHORT ARC (SA)						
	0.6 mm	0.8 mm	1 mm	1.2 mm	1.4 mm	1.6 mm
Fe SG 1/2	M21	M21	M21	M21	/	M21
	M14	M14	M14	M14	/	M14
	M20	M20	M20	M20	/	M20
	/	I1	I1	I1	/	I1
CrNi	/	M11	M11	M11	/	M11
	/	M12	M12	M12	/	M12
	/	M12	M12	M12	/	M12
AlSi	/	/	C1	C1	/	C1
Al	/	/	/	C1	/	C1
AlMg 3.5	/	/	C1	C1	/	C1
AlMg 5	/	/	C1	C1	/	C1
Cu Si	/	C1	C1	C1	/	/
Cu Al	/	/	C1	C1	/	/
SD Zn	/	/	M21	M21	/	/
RCW : SD 100	/	/	M21	M21	/	M21
	/	/	I1	I1		I1
MCW : SD 200	/		M21	M21	M21	M21
BCW : SD 400	/	/	/	M21	/	M21
	/	/	/	I1	/	I1
SPEED SHORT ARC (SSA)						
	0.6 mm	0.8 mm	1 mm	1.2 mm	1.4 mm	1.6 mm
Fe SG 1/2	M21	M21	M21	M21	/	M21
	M14	M14	M14	M14	/	M14
	M20	M20	M20	M20	/	M20
CrNi	/	M12	M12	M12	/	M12
	/	M12	M12	M12	/	M12
	/	M11	M11	M11	/	M11
MCW : SD 200	/	/	/	M21	/	/
HPS						
	0.6 mm	0.8 mm	1 mm	1.2 mm	1.4 mm	1.6 mm
Fe SG 1/2	/	/	M21	M21		/
	/	/	M20	M20		/
MCW : SD 200	/	/	/	M21	M21	/
	/	/	/	M20	M20	/
	/	/	/	M14	M14	/
PULS						
	0.6 mm	0.8 mm	1 mm	1.2 mm	1.4 mm	1.6 mm
Fe SG 1/2	/	M21	M21	M21	/	M21
	/	M14	M14	M14	/	M14
	/	M20	M20	M20	/	M20
CrNi	/	M11	M11	M11	/	M11
	/	M12	M12	M12	/	M12
	/	M12	M12	M12	/	M12
AlSi	/	/	C1	C1	/	C1
Al	/	/		C1	/	C1
AlMg 3.5	/	/	C1	C1	/	C1
AlMg 5	/	/	C1	C1	/	C1
Cu Si	/	/	C1	C1	/	/
Cu Al	/	/	C1	C1	/	/
MCW : SD 200	/	/	/	M21	/	M21
BCW : SD 400	/	/	/	M21	/	/

LOW NOISE PULS						
	0.6 mm	0.8 mm	1 mm	1.2 mm	1.4 mm	1.6 mm
Fe SG 1/2	/	/	M21	M21	/	/
	/	/	M14	M14	/	/
	/	/	M20	M20	/	/
CrNi	/	/	M12	M12	/	M12
	/	/	M12	M12	/	M12
	/	/	M11	M11	/	M11

NB: Neem voor andere synergiën contact met ons op.

GAZ TABLE	
Description	Old gaz reference
Ar82/CO ₂ 18	M21
Ar92/CO ₂ 8	M20
Ar/CO ₂ /O ₂	M14
CO ₂	I1
Ar/CO ₂ /H ₂	M11
Ar98/CO ₂ 2	M12
Ar/He/CO ₂	M12
Ar	C1

WIRES TABLE		
Description	Désignation	Reference
Fe SG ½	Steel solid wire	NERTALIC G2 FILCORD FILCORD C FILCORD D FILCORD E STARMAG
Cu Si	Copper Silicium solid wire	
Cu Al	Copper Aluminum solid wire	FILCORD 46
Al Mg 5	Aluminum solid wire	FILALU Al Mg 5
Al Mg 3.5		FILALU Al Mg 3
Al Si		FILALU Al Si 5
Al		FILALU 99.5 Ti
Cr Ni	Stainless steel solid wire	FILINOX 307 FILINOX 308 Lsi FILINOX 309 Lsi FILINOX 316 Lsi
Sd Zn	Galvanised solid wire	FILCORD Zn
BCW	Basic cored wire	SAFDUAL STEELCORED INOXCORED
MCW	Metallized powder cored wire	
RCW	Rutile cored wire	



SAF-FRO

DIGISTEEL III 420/520
DIGIPULS III 420/520



RO

INSTRUCȚIUNI DE SIGURANȚĂ PRIVIND OPERAREA ȘI ÎNTREȚINEREA

Cat n° : 8695-1251
Rev : D
Date : 02/2018



Contact : www.saf-fro.com



RO Sudarea cu arc și tăierea cu plasmă pot fi periculoase pentru operator și persoanele din apropierea zonei de lucru. Citiți manualul de operare.

1 - INFORMAȚII GENERALE	4
1.1. PREZENTAREA INSTALAȚIEI	4
1.2. COMPONENTE ALE INSTALAȚIEI DE SUDARE	4
1.3. SPECIFICAȚII TEHNICE ALE SURSELOR DE ALIMENTARE	5
2 - PUNEREA ÎN FUNCȚIUNE	6
2.1. CONEXIUNI ELECTRICE LA SURSA PRINCIPALĂ	6
2.2. RACORDAREA DERULATORULUI	6
2.3. PIESE DE UZURĂ	6
2.4. RACORDAREA PISTOLETULUI ȘI A GRUPULUI DE RĂCIRE	6
2.5. CONEXIUNEA DE INTRARE GAZ	7
2.6. PORNIRE	7
3 - INSTRUCȚIUNI DE UTILIZARE	8
3.1. FUNCȚII ALE PANOULUI FRONTAL	8
3.2. CALIBRAREA SURSEI DE ALIMENTARE	9
3.3. AFIȘARE ȘI UTILIZARE	9
4 - OPȚIUNI, ACCESORII	12
5 - Extensie ET pistol	14
5.1. EXTENSIE	14
5.2. PISTOLET	14
5.3. PISTOLET PUSH PULL	14
5.4. PISTOLET CU POTENȚIOMETRU	14
6 - ÎNTREȚINERE	15
6.1. GENERAL	15
6.2. ROLE ȘI CONDUCĂTOARE DE FIR	15
6.3. PISTOLET	15
6.5. PROCEDURĂ DE DEPANARE	20
6.6. SCHEMĂ ELECTRICĂ	22
7 - ANEXE	25
7.1. PREZENTAREA PROCESELOR DE SUDARE	25
7.2. CICLU AVANSAT DE SUDARE	27
7.3. LISTA SINERGIILOR	30

1 - INFORMAȚII GENERALE

1.1. PREZENTAREA INSTALAȚIEI

DIGISTEEL III 420-520 / DIGIPULS III 420-520 este o instalație de sudare manuală care permite următoarele:

- + Sudarea MIG-MAG cu arc scurt, arc scurt de viteză et HPS, arc de pulverizare, mod pulsat normal et pulsé bas bruit (în funcție de DIGIPULS), folosind curenții de la 15A la 320A ou de 15A à 520A .
- + Alimentarea unor tipuri diferite de sârmă
 - ⇒ Sârme din oțel, oțel inoxidabil, aluminiu și speciale
 - ⇒ sârme solide și umplute
 - ⇒ diametre cuprinse între valorile 0.6-0.8-1.0-1.2-1.4-1.6mm
- + Sudarea cu electrod învelit
- + Proces de scobire (necesită le KIT W000010999)
- + Sârmă MIG de sudare prin lipire cu CUPRO Alu sau CUPRO siliciu.

Instalația de sudare este livrată ca pachet gata de utilizare împreună cu derulatoarele de sârmă **DVU P400** sau **DVU P500**

1.2. COMPONENTE ALE INSTALAȚIEI DE SUDARE

Instalația de sudare este formată din 5 componente principale:

- 1 - Sursa de alimentare inclusiv cablul său principal (5m) și banda sa de împământare (5m)
- 2 - Unitate de răcire (opțional)
- 3 - Derulatorul,
- 4 - Extensia bi-detașabilă dintre derulator și sursa de alimentare
- 5 - Cărucior de atelier (opțional),

Fiecare articol este comandat și furnizat separat.

Opțiunile comandate împreună cu instalația de sudare sunt livrate separat. În vederea instalării acestor opțiuni, consultați instrucțiunile furnizate odată cu opțiunile.



AVERTIZARE:

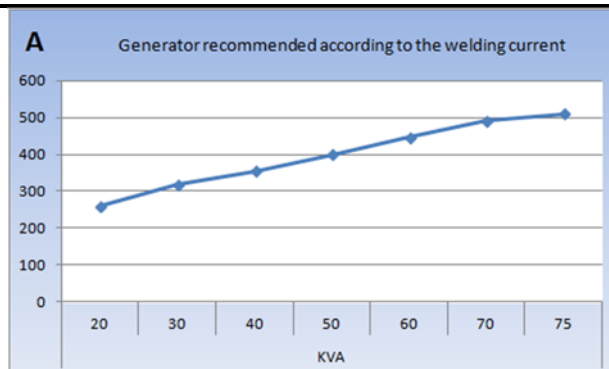
Mânere de plastic nu sunt destinate legării instalației. Stabilitatea echipamentului este garantată doar pentru o înclinare maximă de 10°.

1.3. SPECIFICAȚII TEHNICE ALE SURSELOR DE ALIMENTARE

	DIGISTEEL III 420 W000383615	DIGISTEEL III 520 W000383617	DIGIPULS III 420 W000383661	DIGIPULS III 520 W000383662
Parte primară				
Sursă de alimentare primară	400 V	400 V	400 V	400 V
Frecvență sursă de alimentare primară	50/60Hz	50/60Hz	50/60Hz	50/60Hz
Consum principal efectiv	18,5 A	28,5 A	21,1 A	28,5 A
Consum principal maxim	26 A	33,9 A	27,1 A	33,9 A
Siguranță primară	25 A Gg	32 A Gg	25 A Gg	32 A Gg
Putere vizibilă maximă	18 KVA	23,8 KVA	18,9 KVA	23,8 KVA
Putere activă maximă	17,2 KW	22,4 KW	17,7 KW	22,4 KW
Putere activă în standby (INACTIV)	28 W	29 W	29 W	29 W
Eficacitate la curent maxim (MIG)	87	89	87	89
Factor de putere la curent maxim (MIG)	0,96	0,94	0,93	0,94
Factor putere (Cos Phi)	0,99	0,99	0,99	0,99
Parte secundară				
Tensiune în gol (conform standardului) en MIG	57 V	73 V	73 V	73 V
Gamă de sudare Max MIG	14,8V / 35 V 15A / 420A	14,8V / 39 V 15A / 500A	14,8V / 35 V 15A / 420A	14,8V / 39 V 15A / 500A
Gamă de sudare Max MMA	15A / 420A	15A / 500A	15A / 420A	15A / 500A
Ciclu de lucru la 100% en MIG (ciclu de 10 min la 40°C)	350A	450A	350A	450A
Ciclu de lucru la 60% en MIG (ciclu de 6 min la 40°C)	380A	500A	420A	500A
Ciclu de lucru la curent maxim de 40°C en MIG	40%	60%	60%	60%
Diverse				
Dimensiuni (Lxlxh)	720 x 295 x 525	720 x 295 x 525	720 x 295 x 525	720 x 295 x 525
Greutate	34 kg	40 kg	36 kg	40 kg
Temperatură de operare	-10° C / +40° C	-10° C / +40° C	-10° C / +40° C	-10° C / +40° C
Temperatură de stocare	-20° C / +55° C	-20° C / +55° C	-20° C / +55° C	-20° C / +55° C
Conexiune pistol	"Européen"	"Européen"	"Européen"	"Européen"
Indice de protecție	IP 23	IP 23	IP 23	IP 23
Clasă de izolare	H	H	H	H
Standard	60974-1 & 60974- 10	60974-1 & 60974- 10	60974-1 & 60974-10	60974-1 & 60974-10



AVERTIZARE: Această sursă de alimentare nu poate fi utilizată în condiții de ploaie sau zăpadă. Ea poate fi depozitată afară, însă nu este concepută pentru a fi utilizată fără protecție în condiții de ploaie.



2 - PUNEREA ÎN FUNCȚIUNE

2.1. CONEXIUNI ELECTRICE LA SURSA PRINCIPALĂ

DIGISTEEL III 420-520 / DIGIPULS III 420-520 este o instalație de sudare trifazată de 400 V. Dacă alimentarea sursei principale corespunde cerințelor, conectați fișa "trifazată + împământare" la capătul cablului de alimentare.



ATENȚIE: Cu condiția ca impedanța sistemului public tensiune joasă de la punctul cuplajului comun să fie mai mică de :

98,2 mΩ pour le DIGISTEEL III 420
28 mΩ pour le DIGIPULS III 420
20.6 mΩ pour le DIGISTEEL III 520 et DIGIPULS III 520

acest echipament este în conformitate cu IEC 61000-3-11 și IEC 61000-3-12 și poate fi conectat la sistemele publice tensiune joasă. Este responsabilitatea instalatorului sau a utilizatorului echipamentului de a se asigura, consultându-se cu operatorul rețelei de distribuție dacă este cazul, că impedanța sistemului respectă restricțiile în materie de impedanță.



ATENȚIE: Acest echipament Clasă A nu este destinat utilizării în locații rezidențiale unde energia electrică este furnizată de sistemul public de alimentare tensiune joasă. Pot exista posibile dificultăți în a asigura compatibilitatea electromagnetică în aceste locații, ca urmare a perturbațiilor conduse cât și radiate.

2.2. RACORDAREA DERULATORULUI



ATENȚIE
Se va realiza cu generatorul scos de sub tensiune.

Conectați atelajul la derulatorul de sârmă în momentul utilizării locațiilor adecvate de conectori
 Racordați celălalt capăt al extensiei la generator.
 Conectați pistolul de sudare MIG la derulator

2.3. PIESE DE UZURĂ

		CONDUCĂTOR DE FIR DE INTRARE	ADAPTOR	ROLĂ	CONDUCĂTOR DE FIR INTEREDIAR	CONDUCĂTOR DE FIR DE IEȘIRE	
OȚEL OȚEL Inoxidabil	0.6 / 0.8	Plastic W000277333	W000277338	W000305125	W000277334	W000277335	
	0.9 / 1.2			W000277008			
	1.0 / 1.2			W000267599		W000277335	W000277336
	1.2 / 1.6			W000305126		W000277336	
	1.4 / 1.6			W000277009			
SĂRMĂ UMPLUTĂ FLUX-	0.9 / 1.2	W000277333	W000277338	W000277010	W000277334	W000277335	
	1.2 / 1.6			W000266330		W000277335	W000277336
	1.4 / 1.6			W000277011		W000277336	
ALIAJE UȘOARE	1.0 / 1.2	ALUKIT W000277622					
	1.2 / 1.6	ALUKIT W000277623					

Utilizare posibilă a rolor de oțel ALU cu sârmă de oțel și sârmă umplută.

Montarea rolor

Montarea rolor pe platformă necesită un adaptor ref. W000277338.

2.4. RACORDAREA PISTOLETULUI ȘI A GRUPULUI DE RĂCIRE

Pistolul de sudare mig est racordat la partea din față a derulatorului, după ce v-ați asigurat că este echipat corespunzător cu piese de uzură corespunzătoare sârmei utilizate pentru sudare.

În acest scop, se vor consulta instrucțiunile pistolului.

Dacă utilizați un pistol APĂ, asigurați-vă că ați conectat grupul dvs. de răcire la partea din spate a generatorului, precum și la extensia „apă”.



ATENȚIE :
Funcționarea în gol a Grupului de răcire non conectat la un pistol îl poate distruge..

2.5. CONEXIUNEA DE INTRARE GAZ

Ieșirea gaz este poziționată în spatele sursei de alimentare. Conectați-o pur și simplu la ieșirea regulatorului de presiune a cilindului de gaz.

- + Instalați cilindrul de gaz pe cărucior în spatele sursei de alimentare și fixați butelia folosind cureaua.
- + Deschideți ușor supapa cilindului pentru a permite ieșirea impurităților existente și apoi închideți-o la loc
- + Instalați regulatorul de presiune/debitmetrul.
- + Deschideți cilindrul de gaz.

În timpul procesului de sudare, debitul gazului ar trebui să fie cuprins între 10 și 20l/min.



AVERTIZARE:

Asigurați-vă că cilindrul de gaz este fixat corespunzător pe cărucior atașând centura de siguranță.

2.6. PORNIRE

1

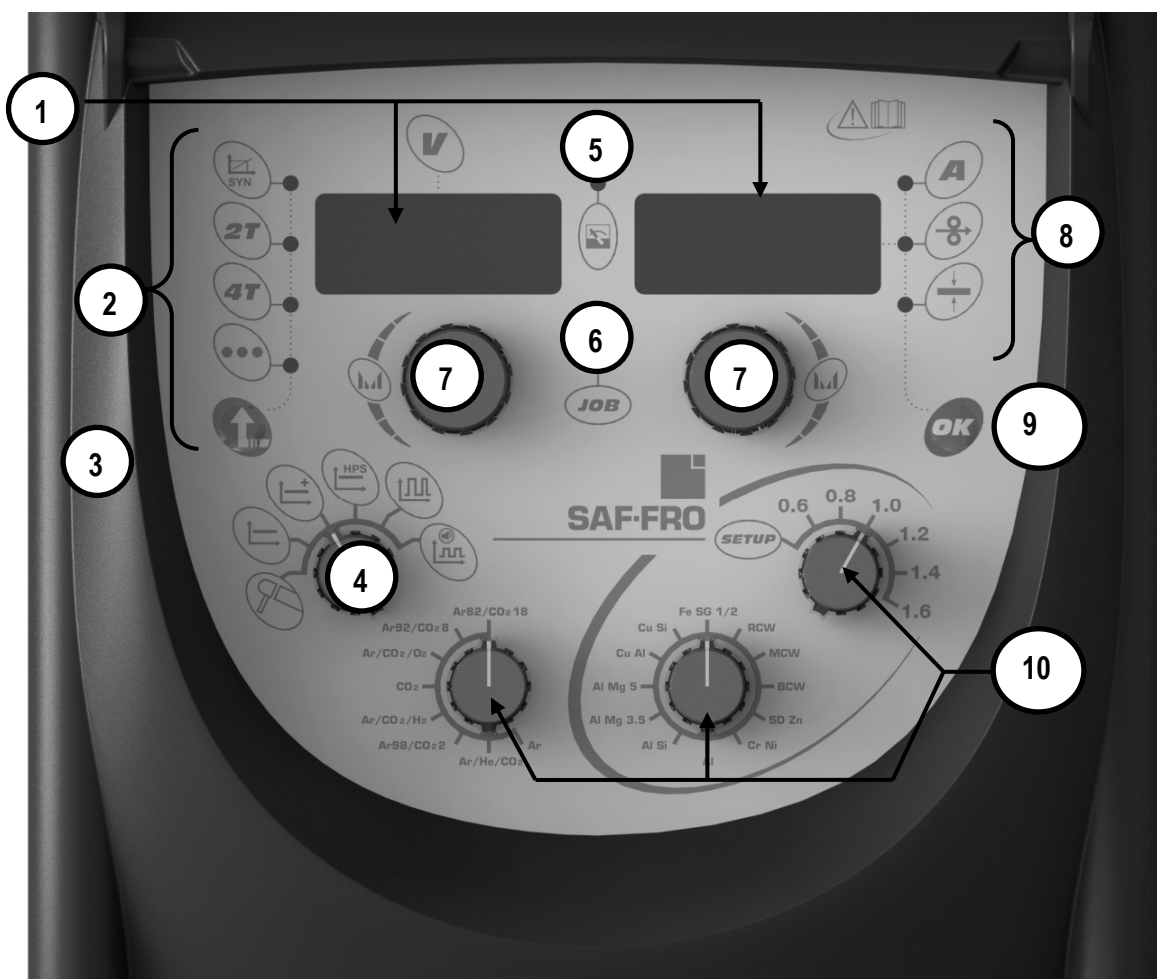


Înterupătorul principal este instalat în spatele sursei de alimentare.
Basculați acest întrerupător pentru a porni instalația.

Notă: Acest întrerupător nu trebuie să fie basculat niciodată în cursul procesului de sudare.
La fiecare pornire, sursa de alimentare afișează versiunea software și puterea recunoscută.

3 - INSTRUCȚIUNI DE UTILIZARE

3.1. FUNCȚII ALE PANOULUI FRONTAL



Afișaj stânga: Tensiune, Afișaj dreapta: Viteză curentă/ sârmă /grosime sârmă

1

Afișaj pentru selecția modului de sudare

2

Buton selector pentru modul de sudare

3

Înterupătoare selector pentru proces de sudare

4

Indicator de măsurare a valorilor afișate (date pre-sudare, sudare și post-sudare)

5

Indicator led pentru mod program

6

Configurare și navigare

7

Mod afișaj indicator curent, viteză sârmă, grosime tablă

8

Buton selector pentru pre-afișare

9

Înterupător selector pentru tip de gaz, diametru sârmă și tip de sârmă de sudare

10

3.2. CALIBRAREA SURSEI DE ALIMENTARE



AVERTIZARE:

În momentul punerii pentru prima dată în funcțiune, calibrarea este un pas care nu poate fi evitat în obținerea unei sudări de calitate. Dacă polaritatea este inversată, acest pas trebuie să fie repetat.

Pas 1: Rotiți întrerupătorul diametru sârmă pe poziția CONFIGURARE (SETUP) și apăsați butonul OK pentru a avea acces la ecranul Configurare **COnFIG**.

Pas 2: Selectați parametrul **CaL** cu ajutorul codorului mână stângă left-și selectați **PORNIT (On)** cu ajutorul codorului mână dreaptă.

Pas 3: Apăsați butonul OK de pe panoul frontal. Unitatea de afișare indică **triGEr**.

Pas 4: Scoateți duza pistolului.

Pas 5: Tăiați sârma.

Pas 6: Puneți piesa în contact cu tubul de contact.

Pas 7: Apăsați declanșatorul.

Pas 8: Afișajul va indica valoarea lui L (inductanță cablu).

Pas 9: Afișează valoarea lui R folosind codorul mână dreaptă (rezistență cablu).

Pas 10: Părăsire Configurare.

3.3. AFIȘARE ȘI UTILIZARE

3.3.1. Mod sinergic

Valorile Curent, Tensiune și Grosime enumerate pentru fiecare setare viteză derulare sârmă sunt furnizate doar în scop informativ. Ele corespund măsurătorilor în condiții date de operare, cum ar fi poziția, lungimea secțiunii de capăt (sudare poziție plană, sudare cap la cap). Unitățile curent/tensiune afișate corespund valorilor măsurate medii și ele pot fi diferite de valorile teoretice.

Indicator led pentru mod program:

- ⇒ OFF: afișarea instrucțiunilor pre-sudare.
- ⇒ ON: Afișarea măsurătorilor (valori medii).
- ⇒ Prin scânteii: Măsurători în timpul sudării.

Selectarea sârmei, diametrului, gazului, procesului de sudare

Selectați tipul de sârmă, diametrul sârmei, gazul de sudare utilizat și procesul de sudare rotind întrerupătorul adecvat.

Selectarea materialului va determina valorile disponibile pentru diametru, gaz și procese.

Dacă nu există sinergie, sursa de alimentare afișează nOt SYn,GAS SYn,DIA SYn Or PrO SYn.

Selectarea modului de sudare, a lungimii arcului și a afișajului pre-sudare

Selectați modul de sudare 2T, 4T, în puncte, sinergic și manual folosind butonul de comandă (3). Lungimea arcului poate fi ajustată cu ajutorul codorului stânga (7), iar ajustarea afișajului pre-sudare este realizată cu ajutorul codorului dreapta (8). Selectarea presetării pre-sudare este realizată cu ajutorul butonului de comandă OK. (10)

3.3.2. Mod manual

Acesta este modul decuplat al instalației de sudare. Parametrii ajustabili pentru el sunt viteza sârmei, tensiunea arcului și reglajul fin.

În acest mod, este afișată doar valoarea vitezei sârmei.

3.3.3. Mod CONFIGURARE (SETUP)

Accesarea CONFIGURĂRII (SETUP):

Ecranul CONFIGURARE (SETUP) poate fi accesat doar atunci când nu este nicio sudare în curs, setând selectorul Diametru Sârmă pe panoul frontal la poziția 1.

Constă din două meniuri derulante:

'CYCLE' → Setare pentru fazele ciclului. Consultați alineatul 6.2 pentru detalii

'COnFIG' → Configurare sursă de alimentare

Configurare SETUP:

În poziția CONFIGURARE (SETUP), selectați CYCLE sau COnFIG by apăsând butonul OK.

Rotiți codorul **mâna stângă** pentru a defila în parametrii disponibili.

Rotiți codorul **mâna dreaptă** pentru a seta valoarea lor.

Nicio sudare nu pornește. Toate modificările sunt salvate la ieșirea din meniul CONFIGURARE (SETUP).

Lista parametrilor accesibili în meniul COnFIG

Afișaj	Afișaj dreapta	Treaptă	Implicit	Descriere
--------	----------------	---------	----------	-----------

stânga				
GrE	On -;OFF – Aut		Aut	Configurarea Unității de răcire apă Unit. 3 stări posibile: - Pornit (On) : Pornire forțată, unitatea de răcire cu apă este permanent activată - Oprit (OFF) : Opreire forțată, unitatea de răcire cu apă este permanent dezactivată - Aut : Mod automat, Unitatea de răcire cu apă funcționează când este necesar
SeU	nc – no - OFF		OFF	Siguranța răcirii cu apă. 3 stări posibile: - nc : Normal închis, - no : Normal deschis, - OFF : Dezactivat
Unit	US – CE		CE	Unitatea afișată pentru viteza și grosimea firului: - Unitate US: inch - CE: unitate de măsură
CPt	OFF– 0.01 – 1.00	0.01 s	0,30	Declanșează timpul de reținere pentru a apela programul (Doar în mod de sudare 4T). Poate fi folosit doar pentru programul de sudare de la 50 la 99.
LAn	Fr,dE,En,It,ES,PO, ,nL,SU,Pt,rO,dA, nO,Fi,Sh,CS,Hu		En	Alegeți limba afișată numai dacă sunt conectate alimentatorul de sârmă RC-JOB sau P500 Franceză (Fr) -German (DE) - Engleză (En) -Italiană (it) - Spaniolă (ES) -Polish (PO) - Olandeză (-Swedish- Daneză (DA) - Norvegiană (NO) - Finlandeză (Fi) -Slovacă (Sh) - Cehă (CS) – Maghiară(Hu)
PGM	no – yES		no	Activează / dezactivează modul management programe
PGA	OFF – ;000 – 020 %	1 %	OFF	Folosiți pentru a configura gama disponibilă de ajustare a următorilor parametri: viteză sârmă, tensiune arc, dinamică arc, reglaj fin impuls. Folosiți doar când managementul programelor este activat, iar programele sunt blocate.
rC	no – yES		no	Acest parametru activează / dezactivează controlul la distanță sau pistolul potențiometrului când este conectat pe sursa de alimentare.
CAL	OFF – on		OFF	Calibrarea pistolului și a cablului de împământare
AdJ	Loc -- rC		Loc	Selectați reglaj Viteza firului și tensiunea arcului: - Loc: Local pe sursa de alimentare - rC: comandă la distanță sau potențiomtru pentru pistol
L	0 – 50	1 uH	14	Setare / afișare duză cablu
r	0 – 50	1 Ω	8	Setare / afișare rezistor cablu
SoF	no – yES		no	Mod de actualizare software.
FAC	no – yES		no	Resetare setări din fabrică. Apăsând YeS va avea loc o resetare a parametrilor la valorile implicite din fabrică când se iese din meniul CONFIGURARE (SETUP).

Lista parametrilor accesibili în meniul CICLU (CYCLE)

Afișaj stânga	Afișaj dreapta	Treaptă	Implicit	Descriere
tPt	00,5 – 10,0	0.1 s	0.5	Timp puncte. În modul Puncte și în modul Manual, setările Pornire la cald (Hot Start), Pantă descendentă (Downslope) și secvențiator nu pot fi modificate
PrG	00,0 – 10,0	0.1 s	0.5	Timp pre-gaz
tHS	OFF – 00,1 – 10,0	0.1 s	0.1	Timp pornire la cald
IHS	-- 70 – 70	1 %	30	Curent pornire la cald (viteză sârmă). X% ± curentul de sudare
UHS	-- 70 – 70	1 %	0	Tensiune pornire la cald X% ± tensiune arc
dYn	--10 + 10 --20 – 20	1 %	0	Reglaj fin în arc scurt
rFP	--10 + 10 --20 + 20	1 %	0	Reglaj fin în impuls
dyA	00 – 100	1	50	Dinamica aprinderii arcului cu electrod
tSE	OFF – 0.01 – 2.50	0,01 s	OFF	Timp secvențiator (Secvențiator, doar în mod sinergic)
ISE	--90 + 90	1 %	30	Nivel curent secvențiator. X% ± curentul de sudare
dSt	OFF – 00,1 – 05,0	0.1 s	OFF	Timp pantă descendentă
DdSI	-- 70 – 00,0	1 %	-- 30	Curent pantă descendentă (viteză sârmă). X% ± curentul de sudare
dSU	-- 70 – 70	1 %	0	Tensiune pantă descendentă. X% ± tensiunea arcului
Pr_	0,00 – 0,20	0.01 s	0.05	Timp anti-aderență
PrS	Nno – yES		no	Activare Pr-Pulverizare
PoG	00,0 – 10,0	0.05 s	0.05	Timp post-gaz

NOTĂ : DIGISTEEL III 420-520 / DIGIPULS III 420-520 permite blocarea meniului de programe. Această funcție este disponibilă pe ecranul de programe cu codul parametrului. Tasta de blocare introdusă trebuie să fie scrisă pentru a dezactiva blocarea funcției.

3.3.4. Apelarea programului cu declanșator

Această funcție permite gruparea de la 2 la 10 programe. Această funcție este disponibilă doar în modul de sudare 4T, iar modul management programe trebuie să fie activat

Gruparea programelor:

Apelarea programului funcții lucrează cu programe de la P50 la P99 până la zece.

⇒ P50→P59 ; P60→P69 ; P70→P79 ; P80→P89 ; P90→P99

Selectați primul program cu care doriți să vă începeți lanțul. Ulterior în cursul sudării, de fiecare dată când împingeți declanșatorul, programul se va modifica. Pentru a grupa mai puțin de zece programe, în programul care urmează capătului de buclă dorită, puneți un parametru diferit (Ca sinergie sau ciclul de sudare). Este posibil să configurați timpul comenzii declanșatorului pentru a detecta modificarea lanțului de programe: CONFIGURARE (SETUP) → CPT → puneți valoarea de la 1 la 100 → părăsiți CONFIGURAREA (SETUP)

Exemplu: Creați o listă de programe de la P50 la P55 (6 programe).

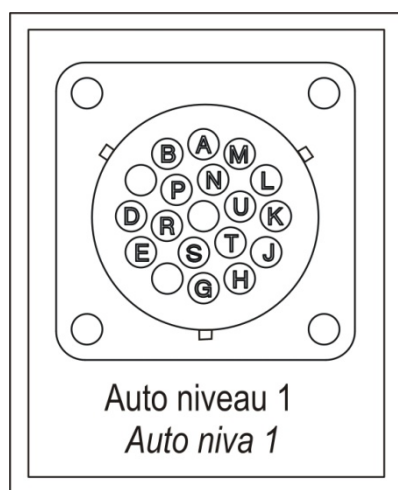
- 1) În programul P56, puneți un ciclul de sudare sau sinergie diferite de P55 pentru a finaliza lanțul
- 2) Selectați programul P50 (Primul program pentru pornirea sudării)
- 3) Porniți sudarea
- 4) De fiecare dată când va fi apăsat declanșatorul, sursa de alimentare va modifica programul până la P55. Atunci când lanțul este încheiat, sursa de alimentare va reporni la P50.

3.3.5. Automatizare

a) Instalațiile **DIGIPULS III** sunt automatizabile de o manieră foarte simplă. Pt. Aceasta este suficientă racordarea prizei furnizate J2 pe spatele postului de lucru. Reperele firului sunt: NIVEL N1

K van J2	leșire contact intensitate RI: contact uscat
L van J2	leșire contact intensitate comună RI: contact uscat
T van J2	Defect
L van J2	Defect comun
U van J2	Intrare piedică (+): amplasați-l pe un contact uscat
M van J2	Intrare piedică (-): amplasați-l pe un contact uscat

Pt. A valida închiderea contactului RI, opțiunea « Aut=Off » din submeniul « Automat » al SETUP-ului trebuie poziționată neapărat la valoarea. Întârzierea închiderii contactului se reglează cu valoarea « Dep » din submeniul « Palier » al SETUP-ului.



Notă: implicit, funcția selectată este regimul de lucru manual

Tipul de utilizare selectat este vizualizat de afișajul din dreapta.

SELECTAREA REGIMULUI AUTOMAT CU COMANDĂ LA DISTANȚĂ PRIN REPER ANALOGIC

1. Poziționați comutatorul din fața generatorului pe „Set -JP”.
2. Prin acționarea butonului „OK” se alege afișajul „Con FIG”.
3. Poziționați selectorul din stânga pentru a obține afișajul „Aut” la stânga.
4. Poziționați selectorul din dreapta pentru a obține afișajul „n1” la dreapta

4 - OPȚIUNI, ACCESORII

4.1 - DERULATORULUI DVU P400, REF. W000275266



4.2 - DERULATORULUI DVU P500, REF. W000275267



4.3 - GRUP UNITATE DE RĂCIRE, REF.W000273516



4.4 - COMANDĂ LA DISTANȚĂ RC-JOB REF. W000273134



4.5 - COMANDĂ LA DISTANȚĂ 2 POTENTIOMETRES REF. W000275904

Funcții control la distanță:
Ajustați viteza sârmei în timpul sudării și în afara sudării
Ajustați tensiunea arcului în timpul sudării și în afara sudării

4.6 - FILTRU PRAF, Réf. W000373703**4.7 - CĂRUCIOR II VERSIUNE NOUĂ, Réf. W000383000**

Permite mutarea facilă a sursei de alimentare într-un mediu de atelier.

4.8 - OPȚIUNE CĂRUCIOR CHANTIER, Réf. W000372274**4.9 - OPȚIUNE SECURITE DE DEBIT, Réf. W000376539****4.10 - OPȚIUNE PLACĂ PUSH PULL, Réf. W000275907****4.11 - OPȚIUNE DEBITMETRU, Réf. W000376539**

5 - EXTENSIE ET PISTOLET

5.1. EXTENSIE

Extensie AER 2 M – 70 MM ²	réf. W000275894
Extensie AER 5 M – 70 MM ²	réf. W000275895
Extensie AER 10 M – 70 MM ²	réf. W000275896
Extensie AER 15 M – 70 MM ²	réf. W000275897
Extensie AER 25 M – 70 MM ² (sur cde)	réf. W000276901
Extensie AER 30 M – 70 MM ² (sur cde)	réf. W000371246
Extensie AER 40 M – 70 MM ² (sur cde)	réf. W000371245
Extensie AER 50 M – 70 MM ² (sur cde)	réf. W000371244

Extensie APĂ 2 M – 95 MM ²	réf. W000275898
Extensie APĂ 5 M – 95 MM ²	réf. W000275899
Extensie APĂ 10 M – 95 MM ²	réf. W000275900
Extensie APĂ 15 M – 95 MM ²	réf. W000275901
Extensie APĂ 25 M – 95 MM ² (sur cde)	réf. W000276902
Extensie APĂ 50 M – 95 MM ²	Nous consulter

Extensie APĂ ALU 2 M – 95 MM ²	réf. W000371044
Extensie APĂ ALU 5 M – 95 MM ²	réf. W000371045
Extensie APĂ ALU 10 M – 95 MM ²	réf. W000371175
Extensie APĂ ALU 15 M – 95 MM ²	réf. W000371174
Extensie APĂ ALU 25 M – 95 MM ²	réf. W000371239

5.2. PISTOLET

PROMIG NG 341 - 3 M	réf. W000345066
PROMIG NG 341 - 4 M	réf. W000345067
PROMIG NG 341 - 5 M	réf. W000345068

PROMIG NG 341 W - 3 M	réf. W000345069
PROMIG NG 341 W - 4 M	réf. W000345070
PROMIG NG 341 W - 5 M	réf. W000345071

PROMIG NG 441 - 3 M	réf. W000345072
PROMIG NG 441 - 4 M	réf. W000345073
PROMIG NG 441 - 5 M	réf. W000345074

PROMIG NG 441W - 3 M	réf. W000345075
PROMIG NG 441W - 4 M	réf. W000345076
PROMIG NG 441W - 5 M	réf. W000345077

PROMIG NG 450W - 3 M	réf. W000274865
PROMIG NG 450W - 4 M	réf. W000274866
PROMIG NG 450W - 5 M	réf. W000274867

5.3. PISTOLET PUSH PULL

PROMIG PP 341 8M	réf. W000385860
PROMIG PP 441W 8M	réf. W000385862
PROMIG PP 341 8M AVEC POTENȚIOMETRU	réf. W000385861
PROMIG PP 441W 8M AVEC POTENȚIOMETRU	réf. W000385863

5.4. PISTOLET CU POTENȚIOMETRU

DIGITORCH P 341 - 4M	réf. W000345014
DIGITORCH P 341W - 4M	réf. W000345016
DIGITORCH P 441W - 4M	réf. W000345018

Pe lângă funcțiile unui pistol standard, el permite în egală măsură reglarea vitezei sârmei și a lungimii arcului atât în timpul sudării cât și în afara sudării

6 - ÎNTREȚINERE

6.1. GENERAL

De două ori pe an, în funcție de cât de des este utilizată instalația, verificați următoarele:

- ⇒ starea de curățenie a sursei de alimentare
- ⇒ conexiunile electrice și de gaz

AVERTIZARE:



Nu realizați niciodată operațiuni de curățare sau depanare în interiorul instalației fără a vă fi asigurat în prealabil că instalația este debransată de la rețea.

Demontați panourile generatorului și aspirați particulele de praf și metal acumulate între circuitele magnetice și înfășurările transformatorului.

În momentul curățării acestor componente, folosiți un racord din plastic pentru a evita deteriorarea izolației înfășurărilor.

La fiecare punere în funcțiune a unității de sudare și anterior apelării departamentului de asistență clienți pentru asistență tehnică, verificați dacă:

- ⇒ Bornele de putere sunt strânse corespunzător.
- ⇒ Tensiunea rețelei selectate este corectă.
- ⇒ Există un debit corespunzător al gazului.
- ⇒ Tipul și diametrul sârmei. Starea pistolului.

DE DOUĂ ORI PE AN



- ⇒ Realizați calibrarea setărilor de curent și tensiune.
- ⇒ Verificați conexiunile electrice ale alimentării, circuitele de comandă și alimentare electrică.
- ⇒ Verificați starea izolării, cablurilor, conexiunilor și a conductelor.
- ⇒ Realizați o curățare cu aer comprimat

6.2. ROLE ȘI CONDOCĂTOARE DE FIR

În condiții normale de utilizare, aceste accesorii oferă o durată lungă de funcționare înainte de a necesita vreo operațiune de înlocuire.

Cu toate acestea, uneori, ulterior folosirii lor pe parcursul unei perioade de timp, pot fi remarcate uzura excesivă sau colmatarea lor provocate de depozite aderente.

Pentru minimalizarea acestor efecte negative, verificați starea de curățenie a plăcii derulatorului.

Grupul motoreductor nu necesită vreo întreținere.

6.3. PISTOLET

Verificați în mod regulat etanșeitatea corectă a conexiunilor alimentării curentului de sudare. Presiunile mecanice legate de șocurile termale au tendința să slăbească unele părți ale pistolului, în mod special:

- ⇒ Tubul de contact
- ⇒ Cablul coaxial
- ⇒ Duza de sudare
- ⇒ Conectorul rapid

Verificați dacă garnitura manșonului de intrare gaz este în stare bună.

Îndepărtați stropii dintre tubul de contact și duză și dintre duză și mantă.

Stropii sunt mai ușor de îndepărtat dacă procedura este repetată la intervale scurte de timp.

Nu folosiți unelte grele care ar putea zgâria suprafața acestor componente și determina atașarea stropilor de ea.

- ⇒ SPRAYMIG SIB, W000011093
- ⇒ SPRAYMIG H20, W000010001

Suflați manșonul după fiecare schimbare de bobină de sârmă. Realizați această procedură de pe lateralul fișei conectorului de instalare rapidă a pistolului.

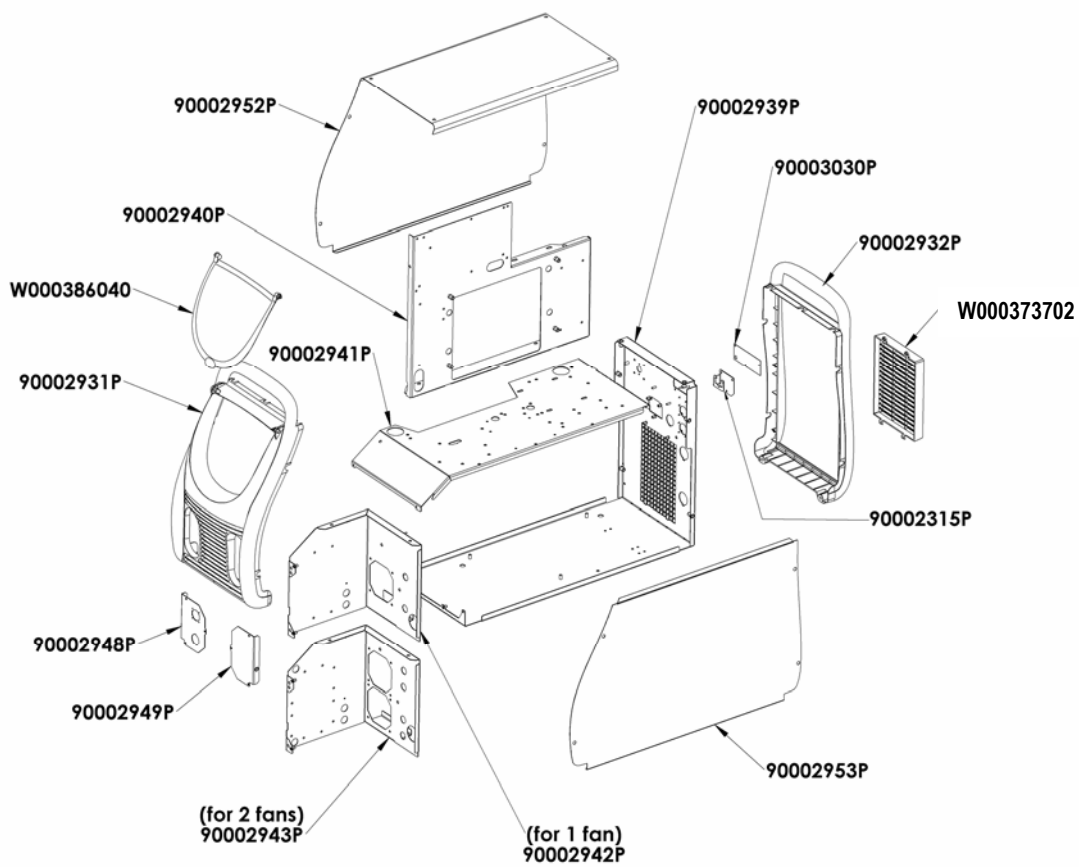
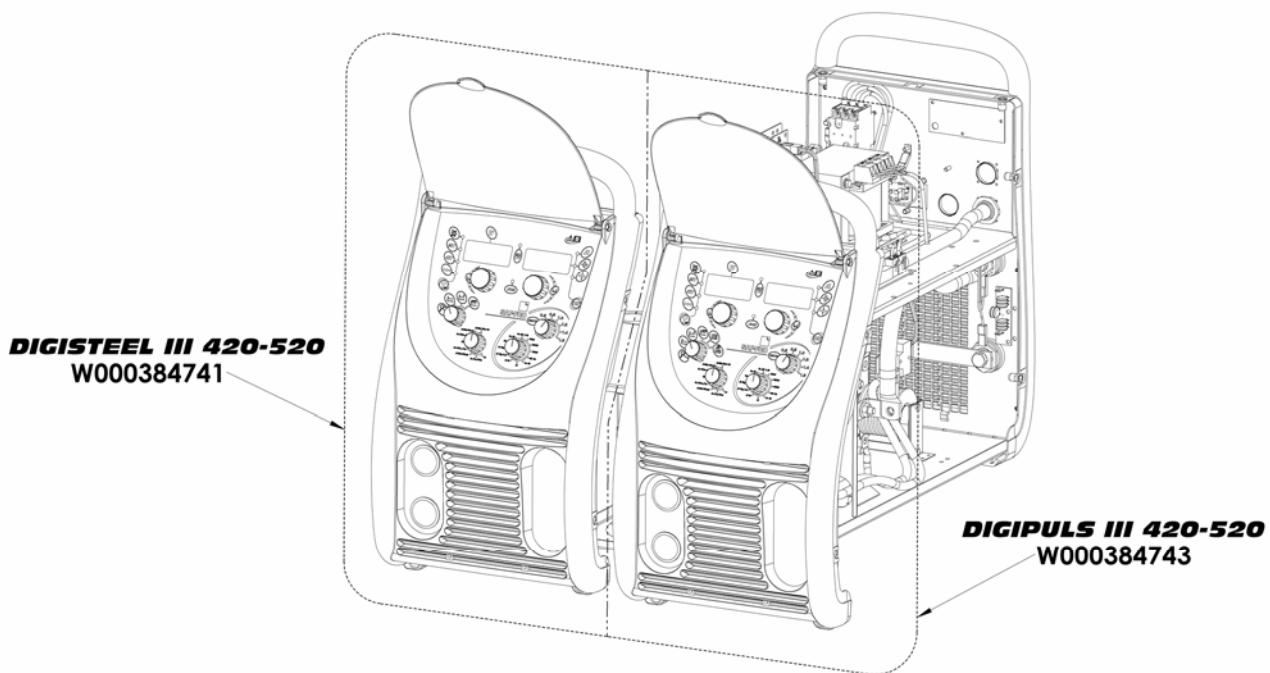
Dacă este cazul, înlocuiți conducătorul de intrare sârmă al pistolului.

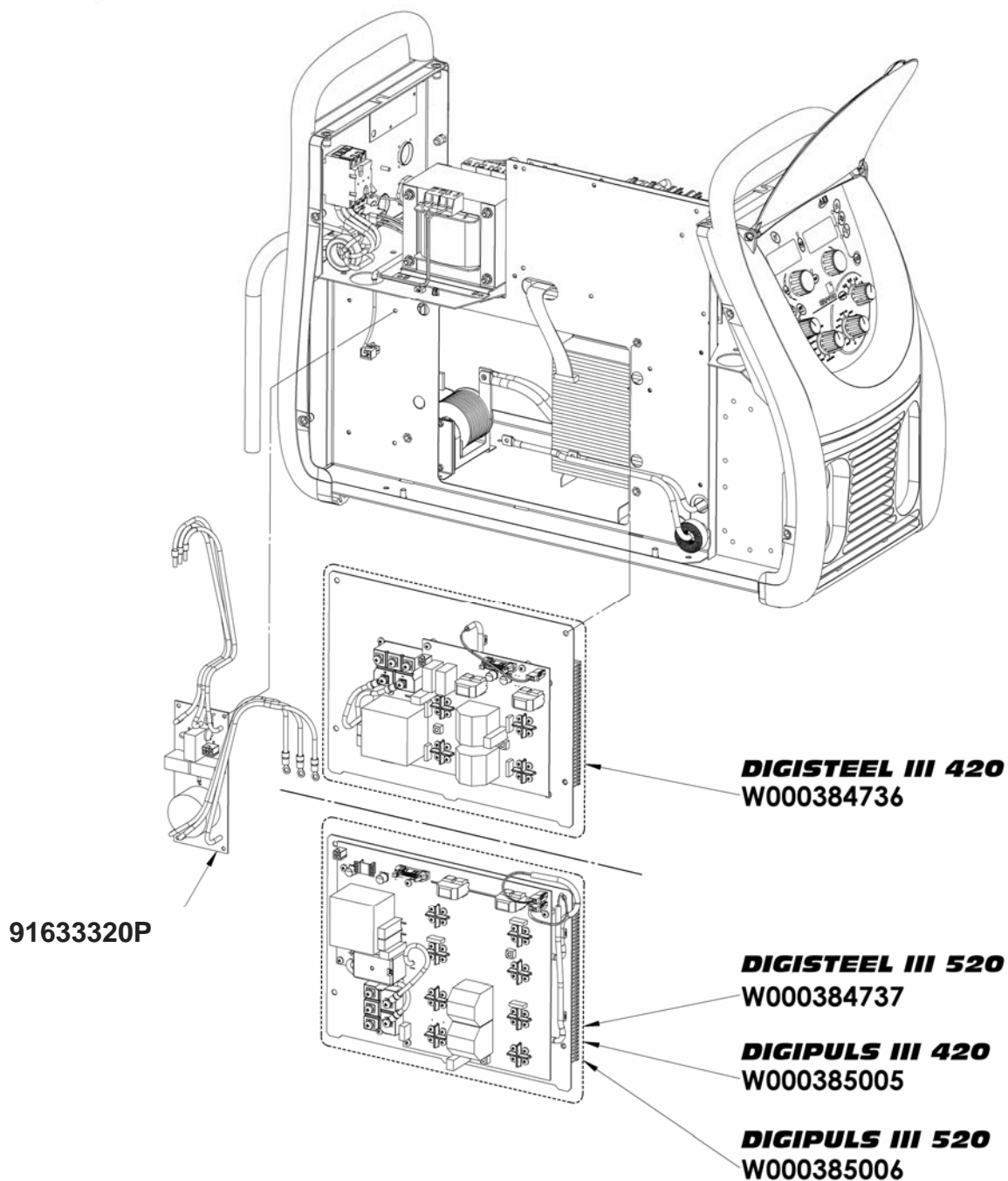
Uzura severă a conducătorului de fir poate determina scurgeri de gaz către partea din spate a pistolului.

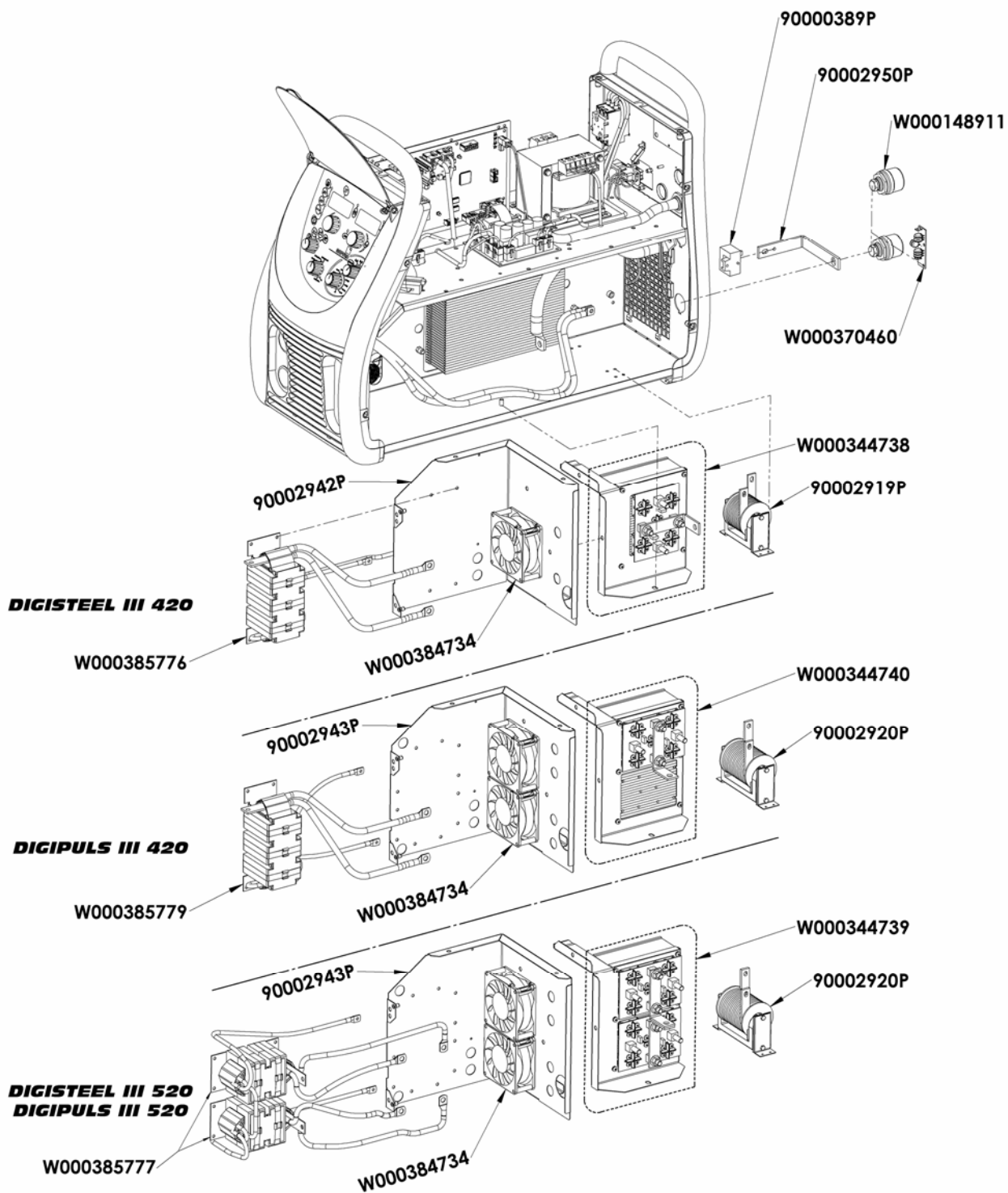
Tuburile de contact sunt concepute pentru o utilizare îndelungată. Cu toate acestea, trecerea sârmei determină uzura lor, lărgind diametrul mai mult decât toleranțele permisibile pentru un contact bun între tub și sârmă.

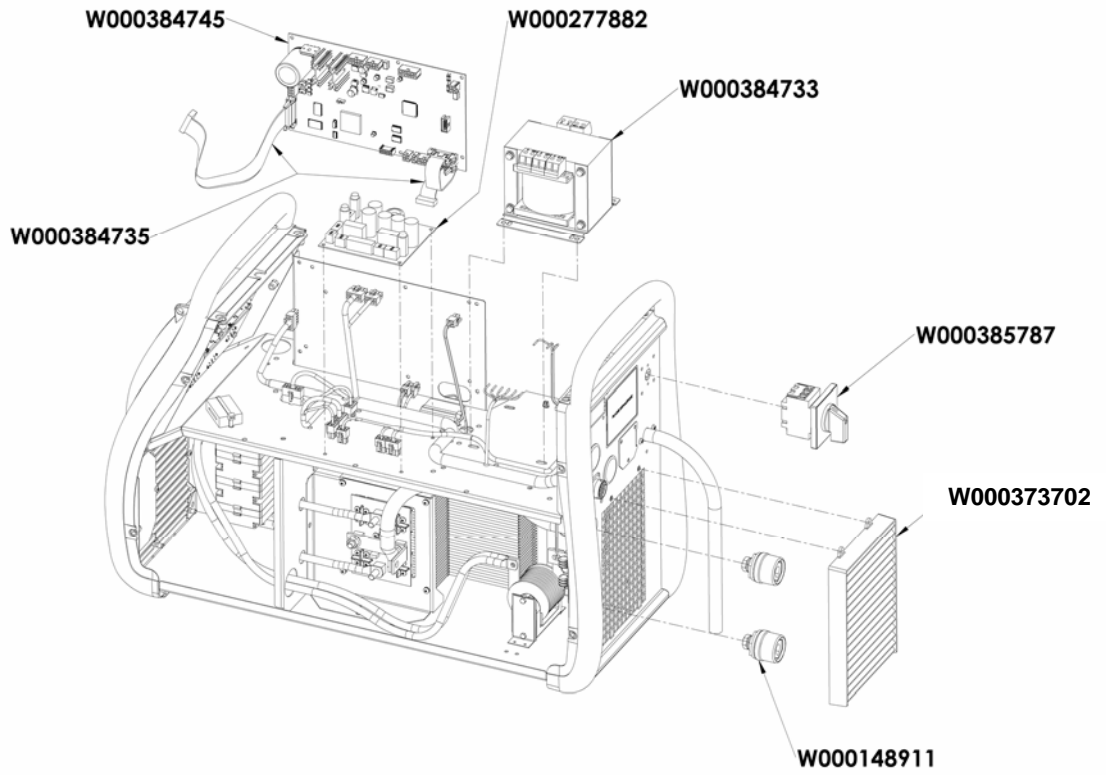
Necesitatea înlocuirii lor devine clară atunci când procesul de transfer al metalului devine instabil, toate setările parametrilor de lucru rămânând astfel normale.

Carcase:



Intern si inverter:





6.5. PROCEDURĂ DE DEPANARE

Depanarea echipamentului electric trebuie să fie realizată doar de personal calificat.

CAUZE	SOLUȚII
GENERATORUL ESTE PORNIT ÎN TIMP CE PANOUL FRONTAL ESTE OPRIT	
Alimentare electrică	Verificați alimentarea electrică (la fiecare fază)
AFIȘAREA MESAJULUI E01 ond	
Curentul maxim de aprindere al sursei de alimentare a fost depășit	Apăsați butonul OK pentru a elimina eroarea. Dacă problema persistă, apelați Serviciul de Asistență Clienți
AFIȘAREA MESAJULUI E02 inu	
Recunoașterea slabă a sursei de alimentare– doar la punerea în funcțiune Conectori defecti	Asigurați-vă că cablul-bandă dintre placa principală a inverterului și placa ciclului este conectat în mod corespunzător.
AFIȘAREA MESAJULUI E07 400	
Tensiune principală necorespunzătoare	Asigurați-vă că tensiunea principală este în gama acceptabilă +/- 20% a sursei de alimentare principală a sursei de alimentare.
AFIȘAREA MESAJULUI E24 SE_n	
Senzor de temperatură defect	Asigurați-vă că conectorul B9 este conectat în mod corespunzător la placa ciclului (dacă nu, nu este măsurată temperatura) Senzorul de temperatură este defect. Apelați Serviciul de Asistență Clienți.
AFIȘAREA MESAJULUI E25 -C	
Supraîncălzirea sursei de alimentare Ventilație	Lăsați generatorul să se răcească Eroarea dispare singură după câteva minute Asigurați-vă că ventilatorul inverterului funcționează.
AFIȘAREA MESAJULUI E33 MEM-LIM Acest mesaj indică faptul că memoria nu mai este operațională	
Funcționare necorespunzătoare în timpul salvării memoriei	Apelați Serviciul de Asistență Clienți.
AFIȘAREA MESAJULUI E43 brd	
Placă electronică defectă	Apelați Serviciul de Asistență Clienți.
AFIȘAREA MESAJULUI E50 H2o	
Unitate de răcire defectă	Asigurați-vă că unitatea de răcire este conectată în mod corespunzător. Verificați unitatea de răcire (Transformator, pompă de apă,...) Dacă nu este utilizată o unitate de răcire, dezactivați parametrul în meniul CONFIGURARE (SETUP).
AFIȘAREA MESAJULUI E63 IMO	
Problemă mecanică	Rola de presiune este prea strânsă. Furtunul de alimentare este colmatat de murdărie. Zăvorul axului bobinei de derulare este prea strâns.
AFIȘAREA MESAJULUI E65-Mot	
Conectori defecti Problemă mecanică Alimentare electrică	Verificați conexiunea cablului-bandă decodor al motorului derulatorului. Asigurați-vă că ansamblul derulator nu este blocat. Verificați conexiunea alimentării electrice a motorului. Verificați F2 (6A) de pe placa de alimentare auxiliară.
AFIȘAREA MESAJULUI E71 -DIA-MET-GAS	
HMI Selector PROCES-DIAMETRUL-METAL-GAS în mod implicit	Rândul său, selectorul de a debloca, după appeler le service Après vente dacă întotdeauna în Mod implicit
AFIȘAREA MESAJULUI StE PUL	
Inverter care nu este recunoscut corespunzător	Apelați Serviciul de Asistență Clienți.
AFIȘAREA MESAJULUI I-A-MAHX	
Curent maxim al sursei de alimentare atins	Reduceți viteza sârmei sau tensiunea arcului
AFIȘAREA MESAJULUI bPXon	

Mesaj care indică faptul că butonul OK sau butonul CANCEL este menținut apăsat în momente neașteptate

Butonul Push pentru a debloca, după serviciul de apel pentru clienți, dacă întotdeauna în mod implicit

AFIȘAREA MESAJULUI SPEXXX

alimentare cu sârmă este întotdeauna activat involuntar

Verificați dacă butonul de alimentare cu sârmă nu este blocat
Verificați conexiunea acestui buton și placă electronică

AFIȘAREA MESAJULUI LOA DPC

Actualizarea software-ului de PC-ul este activat în mod involuntar

Opriti și să porniți sursa de alimentare, după serviciul de apel pentru clienți, dacă întotdeauna în
Mod implicit

AFIȘAREA MESAJULUI DECLANȘATOR

Acest mesaj este generat atunci când declanșatorul este tras la un moment în care poate provoca accidental pornirea unui ciclu.

Declanșator tras atunci când sursa de alimentare este pornită sau în cursul unei resetări cauzate de o eroare.

FĂRĂ PUTERE DE SUDARE FĂRĂ MESAJ DE EROARE

Cablu de alimentare neconectat
Defecțiunea sursei de alimentare

Verificați conexiunea benzii de împământare și conexiunea cablului în modul Electrode învelit, verificați tensiunea dintre bornele de sudare din partea din spate a generatorului. Dacă nu există tensiune, apălați Serviciul de Asistență Clienți.

CALITATEA SUDĂRII

Calibrare necorespunzătoare
Schimbarea pistolului și/sau a benzii de împământare sau a piesei de lucru

Sudare instabilă sau fluctuantă

Sudare instabilă sau fluctuantă

Gamă limitată de setări de ajustare

Alimentare electrică slabă a sursei de alimentare

Verificați parametrul de reglaj fin (RFP = 0)
Realizați re-calibrarea. (Verificați contactul electric corespunzător de la circuitul de sudare).
Asigurați-vă că secvențiatorul nu este activat. Verificați Pornirea la cald (Hot Start) și panta descendentă.
Selectați modul manual. Limitarea este impusă de reguli de compatibilitate a sinergie.
În cazul utilizării RC JOB, asigurați-vă că nu ați activat limitarea setării operată cu parolă.
Verificați conectarea corectă a celor trei faze de alimentare electrică.

ALTELE

Sârmă blocată în baia de topire sau la tubul de contact

Afișarea mesajului triG în momentul pornirii alimentării.

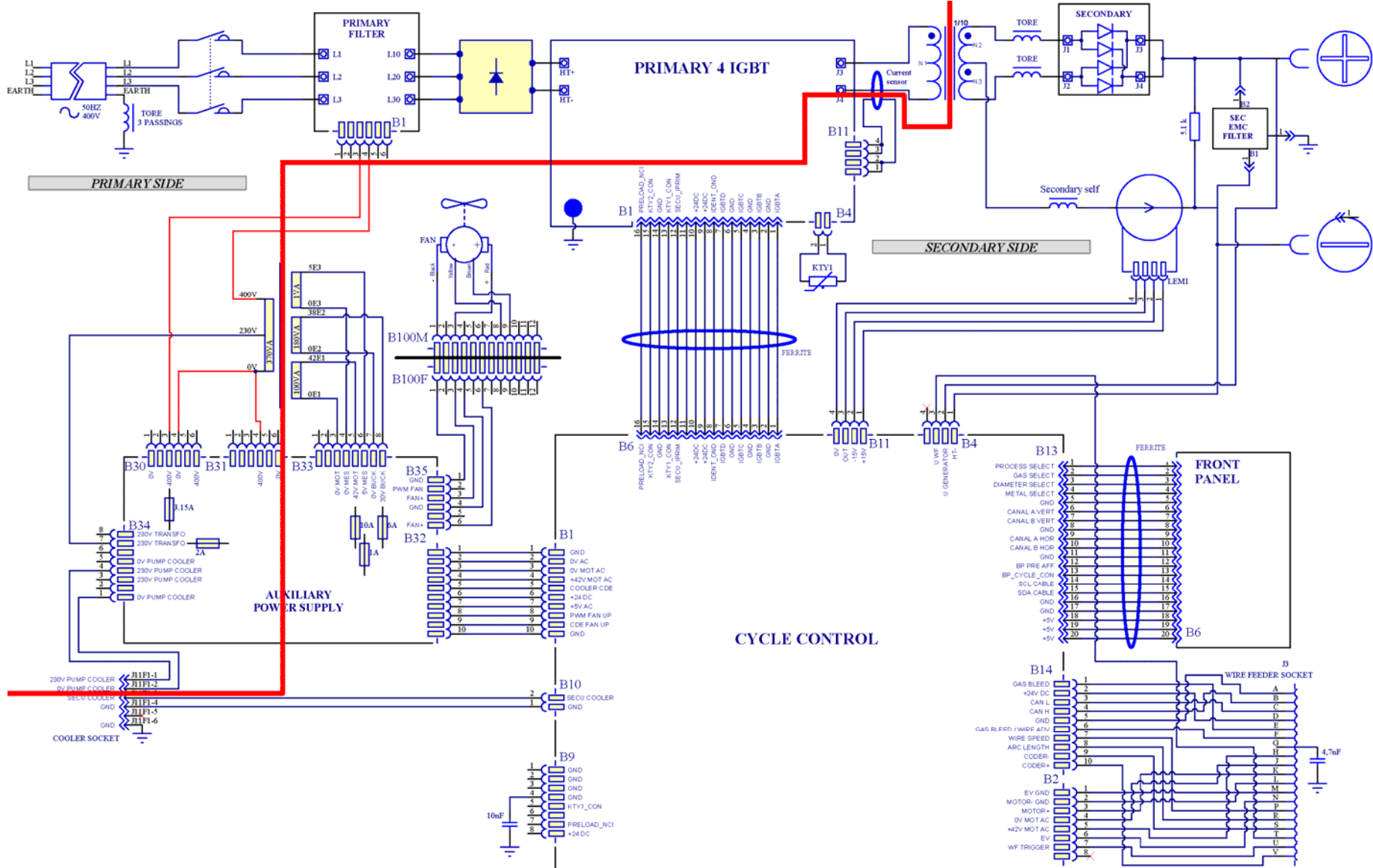
Optimizați parametrii de stingere a arcului: pulverizare PR și post retractare.
Mesajul TtriG este afișat dacă declanșatorul este activat anterior pornirii instalației de sudare.

Dacă problema persistă, puteți reseta parametrii la valorile implicite din fabrică. În acest scop, cu instalația de sudare oprită, selectați poziția Configurare (Setup) de la selectorul panoului frontal, apăsați butonul OK și țineți-l apăsat în jos în timp ce porniți generatorul.

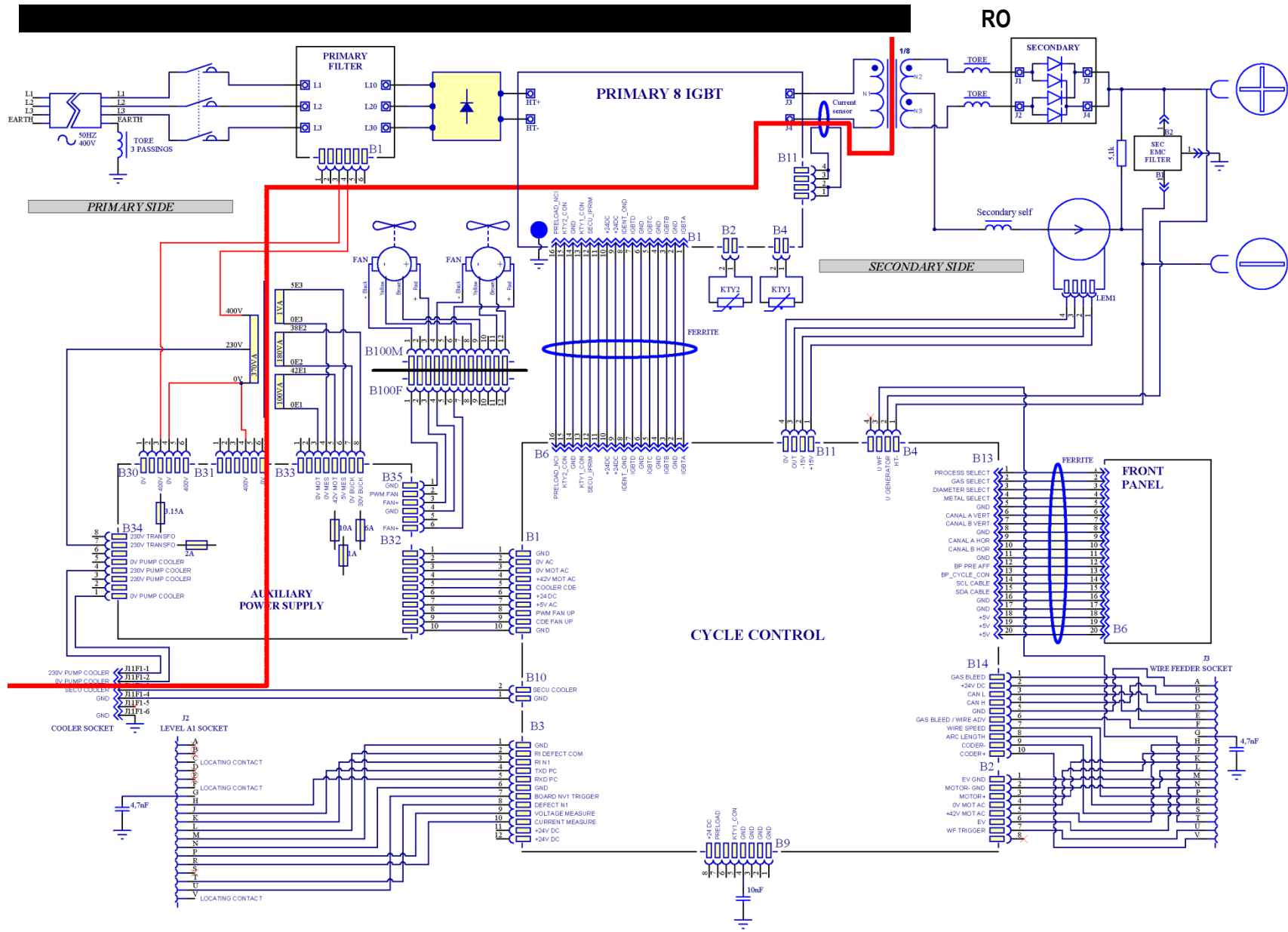
ATENȚIE

Luati în calcul înregistrarea parametrilor dvs. de lucru mai întâi, întrucât această operațiune va șterge toate programele salvate în memorie. Dacă RESETAREA la valorile din fabrică nu soluționează problema, apălați Serviciul de Asistență Clienți (Customer Support).

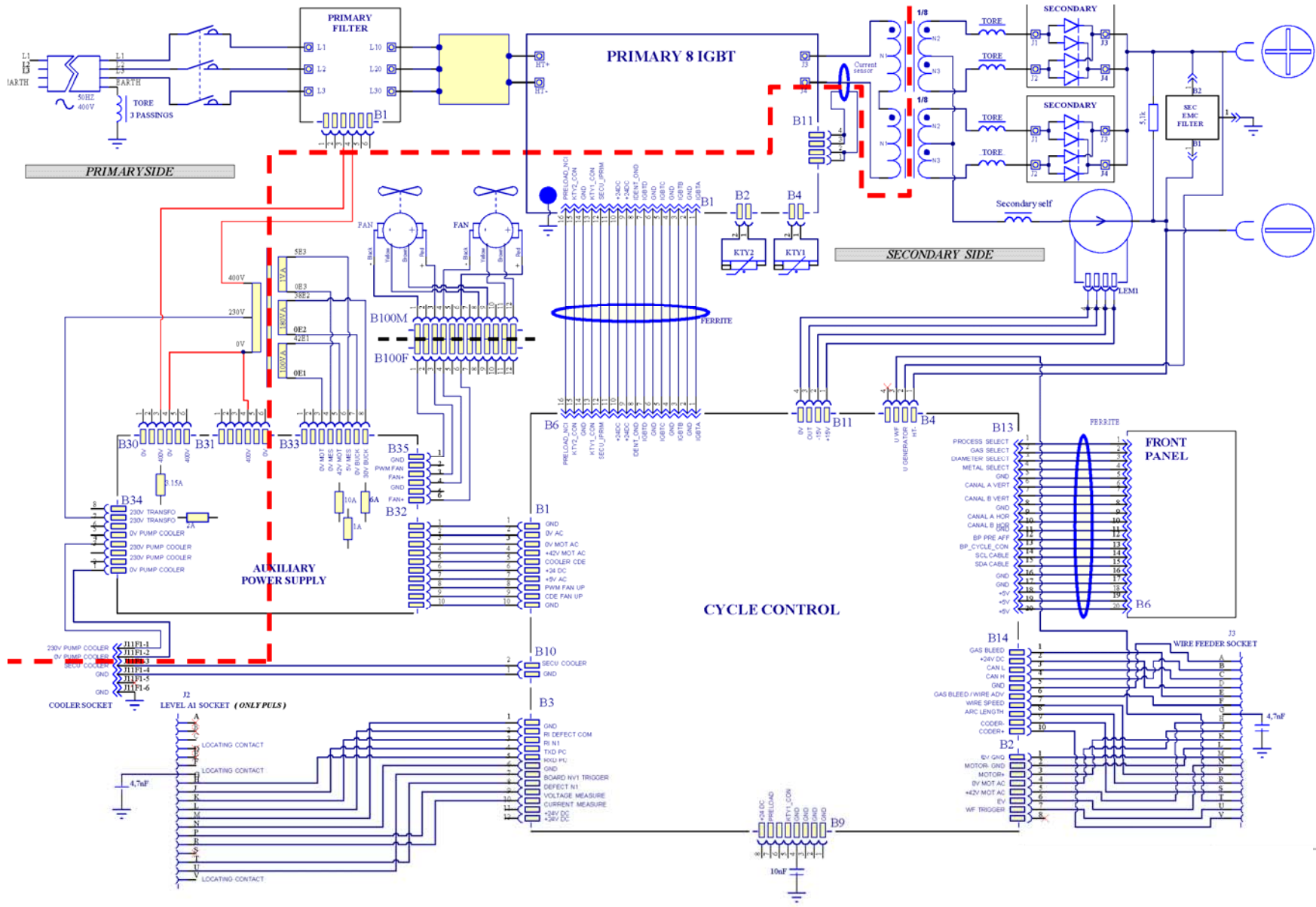
6.6. SCHEMĂ ELECTRICĂ



DIGISTEEL III 420A



DIGIPULS III 420A



7 - ANEXE

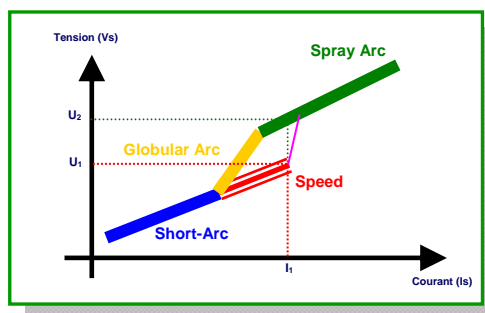
7.1. PREZENTAREA PROCESELOR DE SUDARE

Pentru cărbune și oțeluri inoxidabile, DIGISTEEL III 420-520 / DIGIPULS III 420-520 folosește 2 tipuri de arc scurt:

- + arc scurt "moale" sau "neted"
- + Arcul scurt "dinamic" sau « SSA ».
- + Le short arc HPS

Sudarea MIG pulsată poate fi utilizată la toate tipurile de metal (oțel, oțel inoxidabil și aluminiu) cu sârme solide și unele sârme umplute. Este în mod special adecvată pentru oțel inoxidabil și aluminiu, pentru care este procesul ideal, eliminând stropii și obținând topirea excelentă a sârmei.

- + Caracteristicile arcului sursei de alimentare



Arc scurt (SA) "moale" sau "neted"

Arcul scurt "moale" obține o **reducere mare a stropilor** atunci când sunt sudate oțeluri carbon, determinând o reducere foarte importantă a costurilor de finisare.

El îmbunătățește aspectul cordonului de sudură datorită umezelii ameliorate a băii de topire.

Arcul scurt "moale" este adecvat pentru sudarea în toate pozițiile. Creșterea vitezei de derulare a sârmei permite intrarea în modul arc pulverizare fără a împiedica tranziția în modul globular.

Formă de undă a procesului de sudare cu arc scurt



Notă: Arcul scurt "moale" este ușor mai energic decât arcul scurt "de viteză". În consecință arcul scurt "de viteză" poate fi de preferat arcului scurt "moale" pentru sudarea tablelor foarte subțiri (≤ 1 mm) sau pentru trecerile penetrării de sudare.



Arc scurt "dinamic" sau "Arc scurt de viteză" (SSA)

+

Arcul scurt de viteză sau SSA permite o versatilitate mai mare în cărbune de sudare și oțeluri inoxidabile și absoarbe fluctuațiile din mișcările mâinii sudorilor, de exemplu în momentul sudării într-o poziție dificilă. Ajută de asemenea la compensarea pentru diferențele din pregătirea pieselor de lucru.

Crescând viteza de derulare a sârmei, modul SA intră fără probleme în modul SSA, împiedicând în același timp modul globular

Datorită controlului său rapid al arcului și folosind programarea adecvată, DIGISTEEL III 420-520 / DIGIPULS III 420-520 poate extinde în mod artificial gama Arcului scurt la curenți mai mari, în gama **arcului scurt de viteză**.

Formă de undă a procesului de sudare cu arc scurt de viteză



Eliminând modul arc "globular", care este caracterizat de stropii grei și aderenți și energia mai mare decât arcul scurt, arcul scurt de viteză vă permite:

- ⇒ Reducerea cantității de deformări ale curenților mari de sudare în gama de sudare "globulară" tipică
- ⇒ Reducerea cantității de stropi față de modul globular
- ⇒ Obținerea aspectului bun al sudării
- ⇒ Reducerea emisiilor de fum comparativ cu modurile obișnuite (cu până la 25% mai puțin)
- ⇒ Obținerea unei penetrări rotunjite corespunzătoare
- ⇒ Permite sudării în toate pozițiile

Notă: Programele CO₂ folosesc în mod automat și exclusiv arcul scurt "moale" și nu permit accesul la arcul scurt de viteză. Arcul scurt "dinamic" nu este adecvat pentru sudarea CO₂ ca urmare a instabilității arcului.



HPS – Viteză mare de pătrundere (High Penetration Speed)

HPS este un proces de sudare conceput prin armonizarea LE cu avantajele modurilor Arc de pulverizare și Arc scurt.

Întrucât tensiunea de sudare este mai mică decât în cazul modului clasic Arc de pulverizare, energia de sudare este mai mică, iar materialele de sudare sunt mai puțin constrânse.

Gestionată printr-o reglare digitală bine adaptată HPS propune următoarele avantaje:

- Deținerea unui arc foarte manevrabil în ciuda modului de sudare ridicată utilizat
- proiectare afară mai lungă care permite sudarea în partea de jos a teșiturii în timpul pregătirii arcului
- Creșterea pătrunderii și reducerea sau eliminarea marginii teșite
- Creșterea productivității limitând în același timp pregătirile și crescând viteza de derulare a metalului de umplere
- Eliminarea efectului de tăietură dedesubt a materialului de bază

Pentru informații suplimentare, solicitați broșura HPS contactului dvs. în materie de sudare.



Sudare MIG pulsată NORMALĂ

Transferul metalului în arc are loc prin desprinderea unor picături determinate de impulsurile actuale. Microprocesorul calculează toți parametrii MIG pulsați pentru fiecare viteză a sârmei, pentru a asigura rezultate superioare de sudare și aprindere.

Avantajele sudării Mig pulsate sunt:

- + Deformări reduse la curenți mari de sudare în sudarea "globulară" obișnuită și gamele arcului de pulverizare
- + Permite toate pozițiile de sudare
- + Topire excelentă a sârmelor din oțel inoxidabil și aluminiu
- + Eliminarea aproape completă a stropilor și astfel a lucrării de finisare
- + Aspecte corespunzătoare ale cordonului
- + Emisii reduse de fum comparativ cu metodele obișnuite și chiar arc scurt de viteză (până la 50% mai puțin);

Programele pulsate **DIGIPULS III 420-520** pentru oțel inoxidabil elimină stropii mici care pot apărea pe tablele subțiri la viteze foarte mici de derulare sârmă. Aceste "mingi" sunt provocate de pulverizarea rapidă a metalului la momentul desprinderii picăturilor. Anvergura acestui fenomen depinde de tipul și originea sârmelor.

Aceste programe pentru oțel inoxidabil au cunoscut ameliorări ale operării la curenți slabi și creșterea flexibilității de utilizare pentru sudarea tablelor subțiri folosind metoda Sudare MIG pulsată.

Rezultate excelente pentru sudarea unor table subțiri din oțel inoxidabil (1 mm) sunt obținute folosind metoda Sudare MIG pulsată cu sârmă cu Ø 1 mm în blindaj M12 sau M11 (media 30A este acceptabilă).

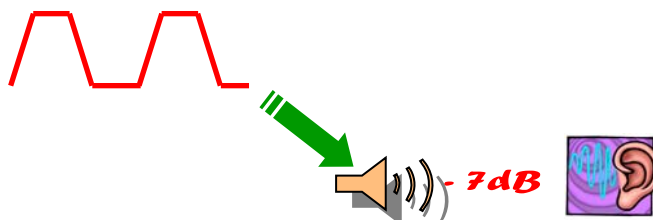
Aspectul îmbinărilor procesate folosind **DIGIPULS III 420-520** este de calitate comparabilă cu cea obținută prin sudarea TIG.



Mig pulsatoriu cu zgomot redus sau Soft Silence Pulsat (SSP)

Propus pt. diametrele de $\varnothing 1$ și $1,2$ mm în oțel sau în inox, aceste noi sinergii pulsante permit:

- + o reducere semnificativă a zgomotului arcului electric
- + un arc electric mai temperat, mai energic și cu o mai mare deschidere
- + o baie de fuzionare mai caldă, deci un cordon de sudură mai fluidizat



observatie: pulsantul cu zgomot redus permite o sudura într-un mediu mai agreabil. acesta aduce mai multa energie in baia de fuziune, deci poate fi utilizat foarte usor la orizontala, dar este mai greu de manuit la sudurile pozitionate..

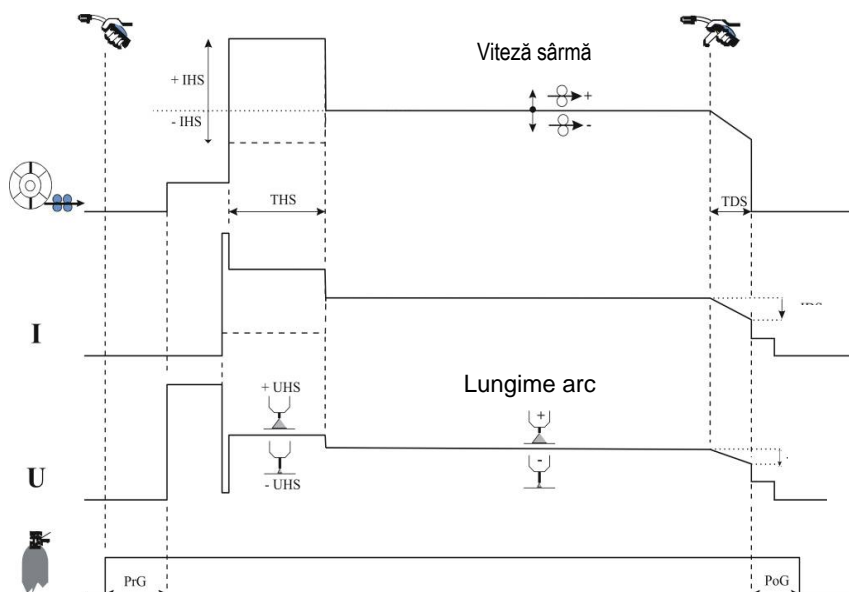
7.2. CICLU AVANSAT DE SUDARE

Ciclu 2- trepte

Apăsarea declanșatorului activează derularea sârmei și pre-gazul și pornește curentul de sudare. Eliberarea declanșatorului determină oprirea sudării.

Ciclu Pornire la cald (Hot Start) este validat de parametrul **HS=OFF** din submeniul general Ciclu (Cycle) din CONFIGURARE (SETUP). Permite pornirea sudării cu un vârf de curent care facilitează aprinderea.

Panta descendentă permite finisarea cordonului de sudură cu un nivel în scădere al sudării.



Ciclu 4- trepte

Apăsarea declanșatorului de prima dată activează pre-gazul, urmat de Pornirea la cald (Hot Start). Eliberarea declanșatorului pornește sudarea. Dacă Pornirea la cald (HOT START) nu este activă, sudarea va începe imediat după pre-gaz. Într-un astfel de caz, eliberarea declanșatorului (a doua treaptă) nu va avea nici un efect, iar ciclul de sudare va continua.

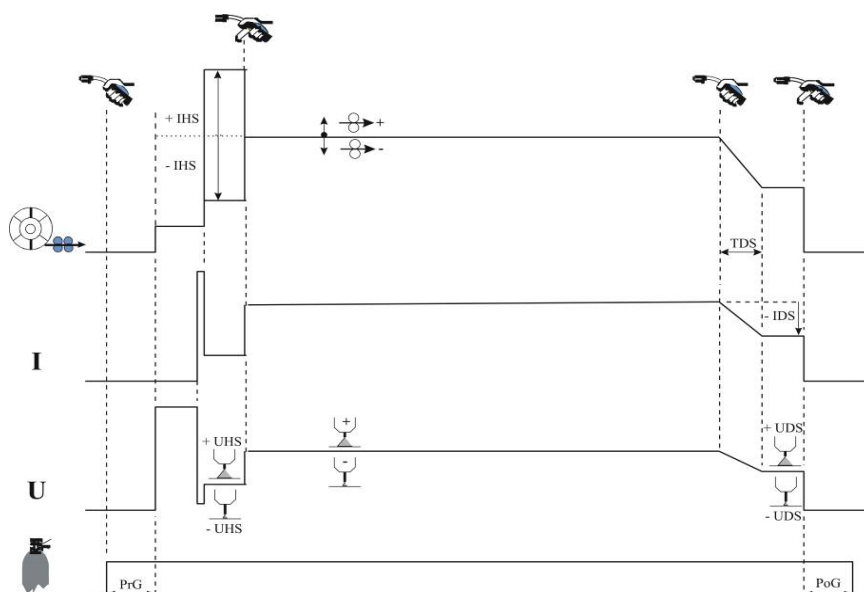
Apăsarea declanșatorului în faza de sudare (a treia treaptă) permite controlul duratei pantei descendente și al funcțiilor anti-crater, conform temporizării pre-programate.

Dacă nu există pantă descendentă, eliberarea declanșatorului va comuta imediat în post-gaz (așa cum este programat în Configurare - Setup).

În modul 4-trepte (4T), eliberarea declanșatorului oprește funcția anti-crater dacă panta descendentă este ACTIVATĂ.

Dacă panta descendentă este DEZACTIVATĂ, eliberarea declanșatorului va opri POST-GAZUL.

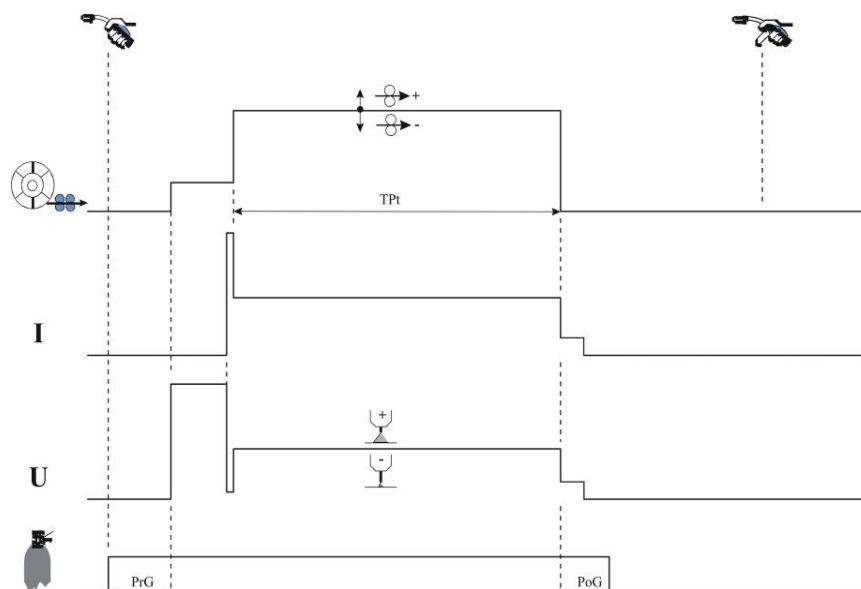
Funcțiile de Pornire la cald (Hot Start) și pantă descendentă nu sunt disponibile în modul manual.



Ciclu puncte

Apăsarea declanșatorului activează derularea sârmă și pre-gazul și pornește curentul de sudare. Eliberarea declanșatorului determină oprirea sudării.

Ajustarea setărilor Pornire la cald (Hot Start), pantă descendentă și secvențiator este dezactivată. La finele temporizării în puncte, sudarea se oprește.



Ciclu secvențiator

Secvențiatorul este validat de parametrul "tSE≠OFF" din submeniul ciclu specific al CONFIGURĂRII (SETUP).

Pentru a-l accesa:

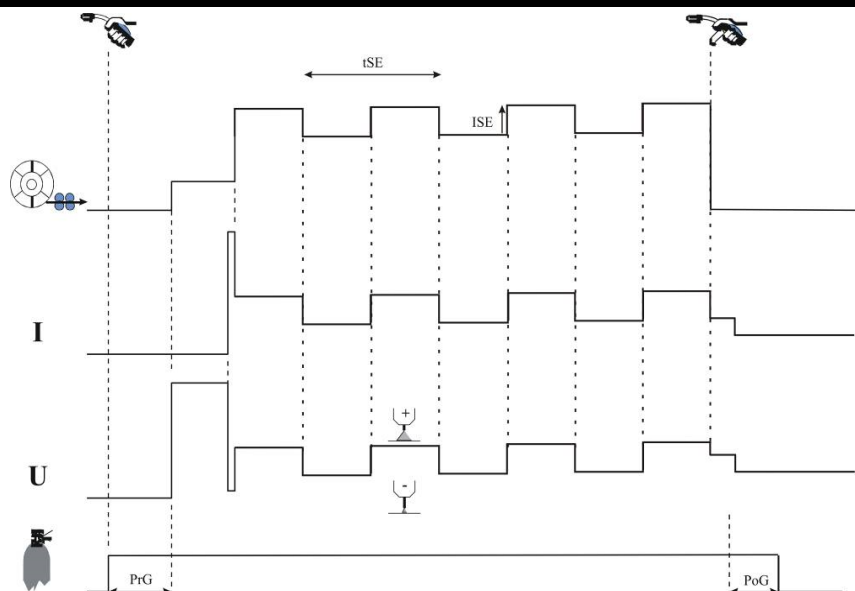
Parametrul "tSE" este afișat în meniul "CYCLE"

Setați acest parametru la o valoare cuprinsă între 0 și 9,9 s.

tSE : Durata celor 2 plăci dacă ≠ OFF.

ISE : Curent al doilea nivel ca % din primul nivel.

Disponibil doar în mod sinergic, ciclu 2T sau ciclu 4T.



Reglajul fin (parametru care poate fi ajustat în meniul configurare ciclu "rFP)

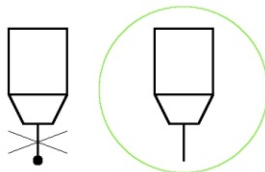
În sudarea pulsată, funcția de reglaj fin permite optimizarea locului de desprindere a picăturilor conform variațiilor din componentele sârmelor utilizate și a gazelor de sudare.

Atunci când sunt observate în arc stropi fini care pot adera la piesa de lucru, setarea de reglaj fin trebuie să fie modificată în valori negative.

Dacă picături mari sunt transferate de arc, setarea de reglaj fin trebuie să fie modificată în valori pozitive.

PR-pulverizare sau ascuțirea sârmei

Finele ciclurilor de sudare poate fi modificat pentru a împiedica formarea unei mingi la capătul sârmei. Această operațiune a sârmei produce o reaprindere aproape perfectă. Soluția selectată constă în injectarea unui vârf de curent la finele ciclului, lucru care face capătul de sârmă să devină ascuțit.



Notă: Acest vârf de curent de la finele ciclului nu este de dorit întotdeauna. De pildă, în momentul sudării tablei subțiri, un astfel de mecanism poate provoca un crater.

7.3. LISTA SINERGIILOR

SHORT ARC (SA)						
Fe SG 1/2	M21	M21	M21	M21	/	M21
	M14	M14	M14	M14	/	M14
	M20	M20	M20	M20	/	M20
	/	I1	I1	I1	/	I1
CrNi	/	M11	M11	M11	/	M11
	/	M12	M12	M12	/	M12
	/	M12	M12	M12	/	M12
AlSi	/	/	C1	C1	/	C1
Al	/	/	/	C1	/	C1
AlMg 3.5	/	/	C1	C1	/	C1
AlMg 5	/	/	C1	C1	/	C1
Cu Si	/	C1	C1	C1	/	/
Cu Al	/	/	C1	C1	/	/
SD Zn	/	/	M21	M21	/	/
RCW : SD 100	/	/	M21	M21	/	M21
	/	/	I1	I1		I1
MCW : SD 200	/		M21	M21	M21	M21
BCW : SD 400	/	/	/	M21	/	M21
	/	/	/	I1	/	I1
SPEED SHORT ARC (SSA)						
Fe SG 1/2	M21	M21	M21	M21	/	M21
	M14	M14	M14	M14	/	M14
	M20	M20	M20	M20	/	M20
CrNi	/	M12	M12	M12	/	M12
	/	M12	M12	M12	/	M12
	/	M11	M11	M11	/	M11
MCW : SD 200	/	/	/	M21	/	/
HPS						
	0.6 mm	0.8 mm	1 mm	1.2 mm	1.4 mm	1.6 mm
Fe SG 1/2	/	/	M21	M21		/
	/	/	M20	M20		/
MCW : SD 200	/	/	/	M21	M21	/
	/	/	/	M20	M20	/
	/	/	/	M14	M14	/
PULS						
	0.6 mm	0.8 mm	1 mm	1.2 mm	1.4 mm	1.6 mm
Fe SG 1/2	/	M21	M21	M21	/	M21
	/	M14	M14	M14	/	M14
	/	M20	M20	M20	/	M20
CrNi	/	M11	M11	M11	/	M11
	/	M12	M12	M12	/	M12
	/	M12	M12	M12	/	M12
AlSi	/	/	C1	C1	/	C1
Al	/	/		C1	/	C1
AlMg 3.5	/	/	C1	C1	/	C1
AlMg 5	/	/	C1	C1	/	C1
Cu Si	/	/	C1	C1	/	/
Cu Al	/	/	C1	C1	/	/
MCW : SD 200	/	/	/	M21	/	M21
BCW : SD 400	/	/	/	M21	/	/
LOW NOISE PULS						
	0.6 mm	0.8 mm	1 mm	1.2 mm	1.4 mm	1.6 mm

Fe SG 1/2	/	/	M21	M21	/	/
	/	/	M14	M14	/	/
	/	/	M20	M20	/	/
CrNi	/	/	M12	M12	/	M12
	/	/	M12	M12	/	M12
	/	/	M11	M11	/	M11

NOTĂ: Pentru orice alte sinergii, contactați agenția noastră

GAZ TABLE	
Description	Old gaz reference
Ar82/CO ₂ 18	M21
Ar92/CO ₂ 8	M20
Ar/CO ₂ /O ₂	M14
CO ₂	I1
Ar/CO ₂ /H ₂	M11
Ar98/CO ₂ 2	M12
Ar/He/CO ₂	M12
Ar	C1

WIRES TABLE		
Description	Désignation	Reference
Fe SG ½	Steel solid wire	NERTALIC G2 FILCORD FILCORD C FILCORD D FILCORD E STARMAG
Cu Si	Copper Silicium solid wire	
Cu Al	Copper Aluminum solid wire	FILCORD 46
Al Mg 5	Aluminum solid wire	FILALU Al Mg 5
Al Mg 3.5		FILALU Al Mg 3
Al Si		FILALU Al Si 5
Al		FILALU 99.5 Ti
Cr Ni	Stainless steel solid wire	FILINOX 307 FILINOX 308 Lsi FILINOX 309 Lsi FILINOX 316 Lsi
Sd Zn	Galvanised solid wire	FILCORD Zn
BCW	Basic cored wire	SAFDUAL STEELCORED INOXCORED
MCW	Metallized powder cored wire	
RCW	Rutile cored wire	



SAF-FRO

DIGISTEEL III 420/520

DIGIPULS III 420/520



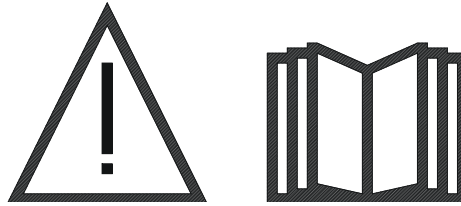
EL

ΟΔΗΓΙΕΣ ΑΣΦΑΛΕΙΑΣ ΚΑΤΑ ΤΗ ΧΡΗΣΗ ΚΑΙ ΤΗ ΣΥΝΤΗΡΗΣΗ

Cat n° : 8695-1251
Rev : D
Date : 02/2018



Contact : www.saf-fro.com



EL Η συγκόλληση τόξου και η κοπή με πλάσμα μπορεί να αποβούν επικίνδυνες για τον χειριστή και τα άτομα πλησίον της περιοχής εργασίας. Διαβάστε το εγχειρίδιο λειτουργίας.

1 - ΓΕΝΙΚΕΣ ΠΛΗΡΟΦΟΡΙΕΣ	4
1.1. ΠΑΡΟΥΣΙΑΣΗ ΤΟΥ ΕΞΟΠΛΙΣΜΟΥ.....	4
1.2. ΕΞΑΡΤΗΜΑΤΑ ΤΟΥ ΣΕΤ ΣΥΓΚΟΛΛΗΣΗΣ	4
1.3. ΠΗΓΕΣ ΙΣΧΥΟΣ ΚΑΙ ΤΕΧΝΙΚΕΣ ΠΡΟΔΙΑΓΡΑΦΕΣ	5
2 - ΕΝΑΡΞΗ ΛΕΙΤΟΥΡΓΙΑΣ	6
2.1. ΗΛΕΚΤΡΙΚΗ ΣΥΝΔΕΣΗ ΣΤΟ ΔΙΚΤΥΟ	6
2.2. ΣΥΝΔΕΣΗ ΤΟΥ ΤΡΟΦΟΔΟΤΗ ΣΥΡΜΑΤΟΣ	6
2.3. ΦΘΕΙΡΟΜΕΝΑ ΕΞΑΡΤΗΜΑΤΑ	6
2.4. ΣΥΝΔΕΣΗ ΤΗΣ ΤΣΙΜΠΙΔΑΣ ΚΑΙ ΤΗΣ ΜΟΝΑΔΑΣ ΨΥΚΤΗ	6
2.5. ΣΥΝΔΕΣΗ ΕΙΣΟΔΟΥ ΑΕΡΙΟΥ	7
2.6. ΕΝΕΡΓΟΠΟΙΗΣΗ	7
3 - ΟΔΗΓΙΕΣ ΧΡΗΣΗΣ	8
3.1. ΛΕΙΤΟΥΡΓΙΕΣ ΜΠΡΟΣΤΙΝΟΥ ΠΙΝΑΚΑ	8
3.2. ΒΑΘΜΟΝΟΜΗΣΗ ΠΗΓΗΣ ΙΣΧΥΟΣ	9
3.3. ΟΘΟΝΗ ΚΑΙ ΧΡΗΣΗ.....	9
4 - ΠΡΟΑΙΡΕΤΙΚΟΣ ΕΞΟΠΛΙΣΜΟΣ, ΠΑΡΕΛΚΟΜΕΝΑ	12
5 - ΠΛΕΞΟΥΔΕΣ ΕΤ ΤΣΙΜΠΙΔΕΣ	14
5.1. ΠΛΕΞΟΥΔΕΣ	14
5.2. ΤΣΙΜΠΙΔΕΣ	14
5.3. ΤΣΙΜΠΙΔΕΣ PUSH PULL	14
5.4. ΤΣΙΜΠΙΔΕΣ ΜΕ ΠΟΤΕΝΣΙΟΜΕΤΡΟ	14
6 - ΣΥΝΤΗΡΗΣΗ	15
6.1. ΓΕΝΙΚΑ	15
6.2. ΤΡΟΧΟΙ ΚΥΛΙΣΗΣ ΚΑΙ ΟΔΗΓΟΙ ΣΥΡΜΑΤΟΣ	15
6.3. ΤΣΙΜΠΙΔΑ	15
6.4. ΣΥΝΤΗΡΗΣΗ	16
6.5. ΔΙΑΔΙΚΑΣΙΑ ΑΝΤΙΜΕΤΩΠΙΣΗΣ ΠΡΟΒΛΗΜΑΤΩΝ	20
6.6. SCHEMA ELECTRIQUE A CHANGER	22
7 - ΠΑΡΑΡΤΗΜΑΤΑ	25
7.1. ΠΑΡΟΥΣΙΑΣΗ ΤΩΝ ΜΕΘΟΔΩΝ ΣΥΓΚΟΛΛΗΣΗΣ	25
7.2. ΠΡΟΗΓΜΕΝΟΣ ΚΥΚΛΟΣ ΣΥΓΚΟΛΛΗΣΗΣ	27
7.3. ΛΙΣΤΑ ΣΥΝΕΡΓΕΙΩΝ	30

1 - ΓΕΝΙΚΕΣ ΠΛΗΡΟΦΟΡΙΕΣ

1.1. ΠΑΡΟΥΣΙΑΣΗ ΤΟΥ ΕΞΟΠΛΙΣΜΟΥ

Το **DIGISTEEL III 420-520 / DIGIPULS III 420-520** είναι ένα σετ συγκόλλησης με το χέρι που παρέχει τις εξής δυνατότητες:

- + Συγκόλληση σε MIG-MAG με βραχύ τόξο (short arc), βραχύ τόξο υψηλής ταχύτητας (speed short arc), et HPS, en pulsé normal et pulsé bas bruit (ανάλογα με το DIGIPULS), με ένταση από 15A έως 420A ή από έως 520A.
- + Εκτύλιξη συρμάτων διαφορετικού τύπου
 - ⇒ Χάλυβας, ανοξείδωτος χάλυβας, αλουμίνιο και ειδικά σύρματα
 - ⇒ Συμπαγή σύρματα και σύρματα με πυρήνα
 - ⇒ Διάμετροι από 0.6-0.8-1.0-1.2-1.4-1.6mm
- + Συγκόλληση με επενδεδυμένο ηλεκτρόδιο
- + Διαδικασία σκαψίματος (απαιτείται το KIT W000010999)
- + Σύρμα συγκόλλησης MIG με CUPRO αλουμίνιο ή CUPRO πυρίτιο.

Το σετ συγκόλλησης παρέχεται σε συσκευασία έτοιμο προς χρήση, σε συνδυασμό με τροφοδότες σύρματος **DVU P400** ou **DVU P500**.

1.2. ΕΞΑΡΤΗΜΑΤΑ ΤΟΥ ΣΕΤ ΣΥΓΚΟΛΛΗΣΗΣ

Το σετ συγκόλλησης αποτελείται από 5 βασικά εξαρτήματα:

- 1 - Πηγή ισχύος συμπεριλαμβανομένου του βασικού καλωδίου (5m) και της ταινίας γείωσης (5m)
- 2 - Καροτσάκι συνεργείου (προαιρετικό),
- 3 - Τροφοδότης σύρματος
- 4 - Διπλά αποσυνδεόμενη πλεξούδα μεταξύ του τροφοδότη σύρματος και της πηγής ισχύος,
- 5 - Καροτσάκι συνεργείου (προαιρετικό),

Η παραγγελία και η παράδοση κάθε εξαρτήματος γίνεται ξεχωριστά.

Τα προαιρετικά εξαρτήματα που παραγγέλνονται με τον εξοπλισμό, παραδίδονται ξεχωριστά. Για την εγκατάσταση των προαιρετικών εξαρτημάτων, ανατρέξτε στις οδηγίες που παρέχονται με αυτά.



ΠΡΟΕΙΔΟΠΟΙΗΣΗ:

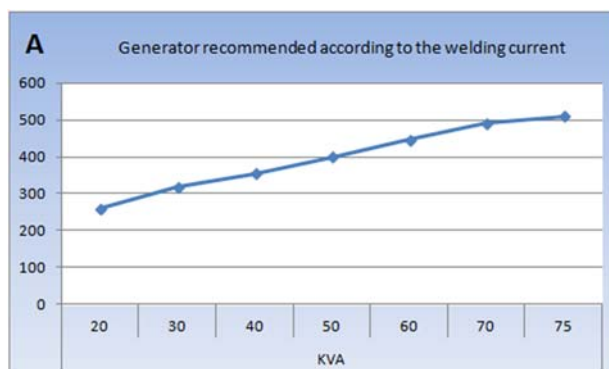
Οι πλαστικές χειρολαβές δεν προορίζονται για την ανάρτηση του σετ. Η σταθερότητα του εξοπλισμού είναι εγγυημένη μόνο για μέγιστη κλίση 10°.

1.3. ΠΗΓΕΣ ΙΣΧΥΟΣ ΚΑΙ ΤΕΧΝΙΚΕΣ ΠΡΟΔΙΑΓΡΑΦΕΣ

	DIGISTEEL III 420 W000383615	DIGISTEEL III 520 W000383617	DIGIPULS III 420 W000383661	DIGIPULS III 520 W000383662
Κύρια πλευρά				
Κύρια παροχή ισχύος	400 V	400 V	400 V	400 V
Συχνότητα κύριας παροχής ισχύος	50/60Hz	50/60Hz	50/60Hz	50/60Hz
Ωφέλιμη κύρια κατανάλωση	18,5 A	28,5 A	21,1 A	28,5 A
Μέγιστη κύρια κατανάλωση	26 A	33,9 A	27,1 A	33,9 A
Κύρια ασφάλεια	25 A Gg	32 A Gg	25 A Gg	32 A Gg
Μέγιστη φαινόμενη ισχύς	18 KVA	23,8 KVA	18,9 KVA	23,8 KVA
Μέγιστη ενεργή ισχύς	17,2 KW	22,4 KW	17,7 KW	22,4 KW
Ενεργή ισχύς σε αναμονή (IDLE)	28 W	29 W	29 W	29 W
Απόδοση σε μέγ. Ρεύμα (MIG)	87	89	87	89
Συντελεστής ισχύος σε μέγ. Ρεύμα (MIG)	0,96	0,94	0,93	0,94
Cos Phi	0,99	0,99	0,99	0,99
Δευτερεύουσα πλευρά				
Χωρίς τάση φορτίου (σύμφωνα με το πρότυπο) en MIG	57 V	73 V	73 V	73 V
Εύρος συγκόλλησης Μέγ. MIG	14,8V / 35 V 15A / 420A	14,8V / 39 V 15A / 500A	14,8V / 35 V 15A / 420A	14,8V / 39 V 15A / 500A
Εύρος συγκόλλησης Μέγ. MMA	15A / 420A	15A / 500A	15A / 420A	15A / 500A
Κύκλος λειτουργίας στο 100% en MIG (κύκλος 10 λεπτών στους 40°C)	350A	450A	350A	450A
Κύκλος λειτουργίας στο 60% en MIG (κύκλος 6 λεπτών στους 40°C)	380A	500A	420A	500A
Κύκλος λειτουργίας στο μέγιστο ρεύμα στους 40°C en MIG	40%	60%	60%	60%
Διάφορα				
Διαστάσεις (ΜxΠxΥ)	720 x 295 x 525	720 x 295 x 525	720 x 295 x 525	720 x 295 x 525
Βάρος	34 kg	40 kg	36 kg	40 kg
Θερμοκρασία λειτουργίας	-10° C / +40° C	-10° C / +40° C	-10° C / +40° C	-10° C / +40° C
Θερμοκρασία αποθήκευσης	-20° C / +55° C	-20° C / +55° C	-20° C / +55° C	-20° C / +55° C
Σύνδεσμος τιμηπίδας	“ Ευρωπαϊκού τύπου ”	Ευρωπαϊκού τύπου	Ευρωπαϊκού τύπου	Ευρωπαϊκού τύπου
Δείκτης προστασίας	IP 23	IP 23	IP 23	IP 23
Κλάση μόνωσης	H	H	H	H
Πρότυπο	60974-1 & 60974-10	60974-1 & 60974-10	60974-1 & 60974-10	60974-1 & 60974-10



ΠΡΟΕΙΔΟΠΟΙΗΣΗ: Η συγκεκριμένη πηγή ρεύματος δεν χρησιμοποιείται σε βροχή ή χιόνι. Μπορεί να αποθηκευτεί σε εξωτερικό χώρο, αλλά δεν προβλέπεται για χρήση χωρίς προστασία κατά τη διάρκεια βροχόπτωσης.



2 - ΕΝΑΡΞΗ ΛΕΙΤΟΥΡΓΙΑΣ

2.1. ΗΛΕΚΤΡΙΚΗ ΣΥΝΔΕΣΗ ΣΤΟ ΔΙΚΤΥΟ

Το DIGISTEEL III 420-520 / DIGIPULS III 420-520 είναι ένα τριφασικό σετ συγκόλλησης 400 V.

Εάν το δίκτυο σας πληροί αυτές τις προδιαγραφές, αρκεί να συνδεστεί μια πρίζα "τριφασική + γείωση" στο άκρο του καλωδίου τροφοδοσίας.



ΠΡΟΕΙΔΟΠΟΙΗΣΗ: Με την προϋπόθεση ότι η εμπέδηση του δημόσιου συστήματος χαμηλής τάσης στο σημείο χαμηλής σύζευξης είναι κάτω από :

98,2 mΩ pour le DIGISTEEL III 420

28 mΩ pour le DIGIPULS III 420

20.6 mΩ pour le DIGISTEEL III 520 et DIGIPULS III 520.

ο εξοπλισμός αυτός συνάδει με τα πρότυπα IEC 61000-3-11 και IEC 61000-3-12 και μπορεί να συνδεθεί σε δημόσια συστήματα χαμηλής τάσης. Ο τεχνικός εγκατάστασης ή ο χρήστης του εξοπλισμού είναι υπεύθυνος να διασφαλίσει, κατόπιν διαβούλευσης με τον χειριστή του συστήματος διανομής εάν χρειαστεί, ότι η εμπέδηση του συστήματος συνάδει με τους περιορισμούς εμπέδησης.



ΠΡΟΕΙΔΟΠΟΙΗΣΗ: Αυτός ο εξοπλισμός Κλάσης A δεν προορίζεται για χρήση σε κατοικημένες περιοχές όπου η ηλεκτρική ενέργεια παρέχεται από το δημόσιο σύστημα παροχής χαμηλής τάσης. Σε αυτές τις περιοχές μπορεί να υπάρξει δυσκολία στη διασφάλιση της ηλεκτρομαγνητικής συμβατότητας, εξαιτίας των αγώγιμων αλλά και ακτινοβολούμενων παρεμβολών

2.2. ΣΥΝΔΕΣΗ ΤΟΥ ΤΡΟΦΟΔΟΤΗ ΣΥΡΜΑΤΟΣ



ΠΡΟΕΙΔΟΠΟΙΗΣΗ: πρέπει να εκτελεστεί με τη γεννήτρια ανενεργη.

Συνδέστε τα καλώδια στον τροφοδότη σύρματος χρησιμοποιώντας τις κατάλληλες θέσεις σύνδεσης connecteurs.

Συνδέστε το άλλο άκρο της πλεξούδας στη γεννήτρια.

Συνδέστε την τσιμπίδα συγκόλλησης MIG στον τροφοδότη σύρματος.

2.3. ΦΘΕΙΡΟΜΕΝΑ ΕΞΑΡΤΗΜΑΤΑ

	ΕΙΣΟΔΟΣ ΟΔΗΓΟ ΣΥΡΜΑ	ΠΡΟΣΑΡΜΟΓΕΑΣ	ΡΑΟΥΛΟ	ΕΝΔΙΑΜΕΣΟ ΟΔΗΓΟ ΣΥΡΜΑ	ΕΞΟΔΟΣ ΟΔΗΓΟ ΣΥΡΜΑ			
ΧΑΛΥΒΑΣ ΑΝΟΞΕΙΩΤΟΣ ΧΑΛΥΒΑΣ	0,6 / 0,8	Plastic W000277333	W000277338	W000305125	W000277334	W000277335		
	0,9 / 1,2			W000277008				
	1,0 / 1,2			W000267599			W000277335	W000277336
	1,2 / 1,6			W000305126			W000277336	
	1,4 / 1,6			W000277009				
ΣΥΡΜΑ ΜΕ ΠΥΡΗΝΑ	0,9 / 1,2	W000277333	W000277338	W000277010	W000277334	W000277335		
	1,2 / 1,6			W000266330		W000277335	W000277336	
	1,4 / 1,6			W000277011		W000277336		
ΕΛΑΦΡΑ ΚΡΑΜΑΤΑ	1,0 / 1,2	ALUKIT W000277622						
	1,2 / 1,6	ALUKIT W000277623						

Δυνατότητα χρήσης των ράουλων από αλουμίνιο με σύρμα από χάλυβα και επενδυμένο σύρμα.

Προσάρτηση ράουλων

Η προσάρτηση των ράουλων στη βάση απαιτεί έναν προσαρμογέα με κωδ. W000277338.

2.4. ΣΥΝΔΕΣΗ ΤΗΣ ΤΣΙΜΠΙΔΑΣ ΚΑΙ ΤΗΣ ΜΟΝΑΔΑΣ ΨΥΚΤΗ

Η τσιμπίδα συγκόλλησης MIG συνδέεται στο μπροστινό μέρος του τροφοδότη σύρματος, αφότου επιβεβαιωθεί ότι έχει κατάλληλα εξοπλιστεί με τα ανταλλακτικά που αντιστοιχούν στο σύρμα που θα χρησιμοποιηθεί για τη συγκόλληση.

Για το σκοπό αυτό, παρακαλείσθε να ανατρέξετε στις οδηγίες της τσιμπίδας.

Αν χρησιμοποιείτε ΥΔΡΟΨΥΚΤΗ τσιμπίδα, φροντίστε να συνδέσετε τη μονάδα του ψύκτη σας στο πίσω μέρος της γεννήτριας, καθώς επίσης και στην πλεξούδα «νερού».



ΠΡΟΣΟΧΗ :

Η χωρίς-φορτίση λειτουργία του ψυκτη ενώ δεν έχει συνδεθεί με μια τσιμπίδα μπορεί να προκαλέσει την καταστροφή του.

2.5. ΣΥΝΔΕΣΗ ΕΙΣΟΔΟΥ ΑΕΡΙΟΥ

Η έξοδος του αερίου βρίσκεται στο πίσω μέρος της πηγής ισχύος. Απλά συνδέστε το στην έξοδο της εκτονωτικής βαλβίδας στη φιάλη αερίου.

- + Τοποθετήστε τη φιάλη αερίου στο καροτσάκι στο πίσω μέρος της γεννήτριας και στερεώστε την με τη βοήθεια του ιμάντα.
- + Ανοίξτε ελαφρώς και στη συνέχεια κλείστε ξανά τη στρόφιγγα της φιάλης για εκκένωση τυχόν ρύπων.
- + Τοποθετήστε τον εκτονωτή/μετρητή παροχής αερίου.
- + Ανοίξτε τη φιάλη αερίου.

Κατά τη διάρκεια της συγκόλλησης, η παροχή αερίου θα πρέπει να κυμαίνεται μεταξύ 10 και 20l/λεπτό.



ΠΡΟΕΙΔΟΠΟΙΗΣΗ:

Βεβαιωθείτε ότι έχετε στερεώσει γερά τη φιάλη αερίου στο καροτσάκι τοποθετώντας τον ιμάντα ασφαλείας.

2.6. ΕΝΕΡΓΟΠΟΙΗΣΗ

1

Ο γενικός διακόπτης βρίσκεται στο πίσω μέρος της πηγής ισχύος. Πατήστε τον διακόπτη για να ενεργοποιήσετε το μηχάνημα.

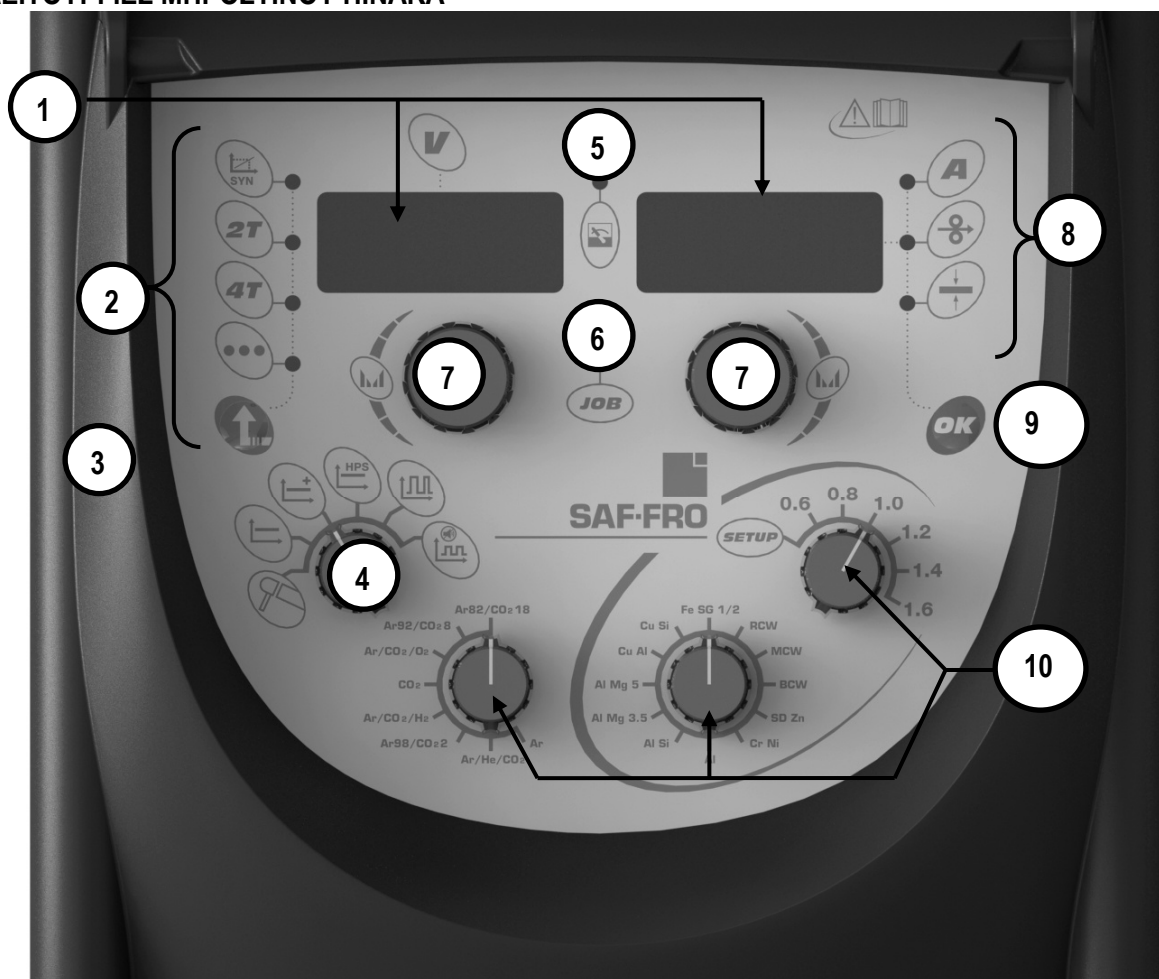


Σημείωση: Μην πατάτε ποτέ τον διακόπτη κατά τη διάρκεια της συγκόλλησης.

Σε κάθε εκκίνηση λειτουργίας, η πηγή ισχύος εμφανίζει την έκδοση λογισμικού και την αναγνωρισμένη ισχύ.

3 - ΟΔΗΓΙΕΣ ΧΡΗΣΗΣ

3.1. ΛΕΙΤΟΥΡΓΙΕΣ ΜΠΡΟΣΤΙΝΟΥ ΠΙΝΑΚΑ



Αριστερή οθόνη: Τάση, Δεξιά οθόνη: Ρεύμα / ταχύτητα σύρματος / πάχος σύρματος

Οθόνη επιλογής λειτουργίας συγκόλλησης

Κουμπί επιλογής λειτουργίας συγκόλλησης

Διακόπτες επιλογής για τη μέθοδο συγκόλλησης

Ένδειξη μετρητή εμφανιζόμενων τιμών (δεδομένα πριν, κατά τη διάρκεια και μετά τη συγκόλληση)

Voyant « mode programme actif »

Codeur pour la navigation

Voyant affichage courant, vitesse fil, épaisseur

Bouton sélection pré-affichage

Commutateur de sélection gaz, diamètre fil et nature du fil

1

2

3

4

5

6

7

8

9

10

3.2. ΒΑΘΜΟΝΟΜΗΣΗ ΠΗΓΗΣ ΙΣΧΥΟΣ



ΠΡΟΕΙΔΟΠΟΙΗΣΗ:

Κατα την πρώτη εκκίνηση λειτουργίας, η βαθμονόμηση είναι ένα απαραίτητο βήμα για την επίτευξη ποιοτικής συγκόλλησης. Εάν η πολικότητα είναι ανεστραμμένη, το βήμα αυτό πρέπει να επαναληφθεί.

Βήμα 1: Γυρίστε τον διακόπτη διαμέτρου σύρματος στη θέση SETUP (Ρύθμιση) και πατήστε το κουμπί OK για να μεταβείτε στην οθόνη **CO_nFIG**

Βήμα 2: Επιλέξτε την παράμετρο **CAL** (Βαθμονόμηση) με τον αριστερό κωδικοποιητή και **On** (Ένεργ.) με τον δεξιό κωδικοποιητή

Βήμα 3: Πατήστε το κουμπί OK στον μπροστινό πίνακα. Στην οθόνη εμφανίζεται η ένδειξη **triGER**. (Σκανδάλη).

Βήμα 4: Αφαιρέστε το ακροφύσιο της τσιμπίδας.

Βήμα 5: Κόψτε το σύρμα.

Βήμα 6: Τοποθετήστε το τεμάχιο έτσι ώστε να έρθει σε επαφή με τον σωλήνα επαφής.

Βήμα 7: Πατήστε τη σκανδάλη.

Βήμα 8: Στην οθόνη θα εμφανιστεί η ένδειξη L (περιέλιξη καλωδίου).

Βήμα 9: Χρησιμοποιήστε τον δεξιό κωδικοποιητή για να εμφανιστεί η τιμή R (αντίσταση καλωδίου).

Βήμα 10: Κλείστε το Setup (Ρύθμιση).

3.3. ΟΘΟΝΗ ΚΑΙ ΧΡΗΣΗ

3.3.1. Mode synergique

Οι τιμές ρεύματος, τάσης και πάχους που αναγράφονται για κάθε ρύθμιση ταχύτητας τροφοδοσίας σύρματος παρέχονται μόνο για ενημερωτικούς σκοπούς. Αντιστοιχούν σε μετρήσεις υπό συγκεκριμένες συνθήκες λειτουργίας, όπως θέση, μήκος τελικού τμήματος (συγκόλληση σε οριζόντια θέση, συγκόλληση με μετωπική ραφή).

Το ρεύμα και η τάση που εμφανίζονται αντιστοιχούν στις μέσες μετρηθείσες τιμές και μπορεί να διαφέρουν από τις θεωρητικές τιμές.

Ένδειξη LED για τη λειτουργία προγραμμάτων:

- ⇒ OFF: εμφάνιση οδηγιών πριν τη συγκόλληση.
- ⇒ ON: Εμφάνιση μετρήσεων (μέσες τιμές).
- ⇒ Αναβοσβήνει: Μετρήσεις κατά τη διάρκεια της συγκόλλησης.

Επιλογή σύρματος, διαμέτρου, αερίου, μεθόδου συγκόλλησης

Επιλέξτε τον τύπο του σύρματος, τη διάμετρο του σύρματος, το αέριο συγκόλλησης και τη μέθοδο συγκόλλησης γυρνώντας τον αντίστοιχο διακόπτη. Η επιλογή του υλικού καθορίζει τις διαθέσιμες τιμές για τη διάμετρο, το αέριο και τις μεθόδους.

Εάν δεν υπάρχει συνέργεια, η πηγή ισχύος εμφανίζει την ένδειξη nOt SYn GAS SYn, dIA SYn ou Pro SYn.

Ισχύς λειτουργίας συγκόλλησης, μήκους τόξου και προβολής πριν τη συγκόλληση

Επιλέξτε λειτουργία συγκόλλησης 2T, 4T, κατά σημεία, συνεργική και χειροκίνητη χρησιμοποιώντας το κομβίο (3). Το μήκος του τόξου μπορεί να προσαρμοστεί με τον αριστερό κωδικοποιητή (7), ενώ η προσαρμογή της προβολής πριν από τη συγκόλληση γίνεται με τον δεξιό κωδικοποιητή (8). Η επιλογή των προκαθορισμένων ρυθμίσεων πριν τη συγκόλληση πραγματοποιείται πατώντας το κουμπί OK. (10)

3.3.2. Χειροκίνητη λειτουργία

Αυτή είναι η αποσυμπλεγμένη λειτουργία της συσκευής συγκόλλησης. Οι παράμετροι που μπορούν να ρυθμιστούν είναι η ταχύτητα προώθησης του σύρματος, η τάση του τόξου και οι ρυθμίσεις ακριβείας.

Σε αυτή τη λειτουργία εμφανίζεται μόνο η τιμή της ταχύτητας του σύρματος.

3.3.3. Λειτουργία SETUP (Ρύθμιση)

Πρόσβαση στη λειτουργία SETUP (Ρύθμιση):

Η πρόσβαση στην οθόνη SETUP (Ρύθμιση) μπορεί να γίνει μόνο όταν δεν υπάρχει συγκόλληση σε εξέλιξη, ρυθμίζοντας τον επιλογέα διαμέτρου σύρματος στον μπροστινό πίνακα στη θέση 1.

Αποτελείται από δύο αναπτυσσόμενα μενού:

'CYCLE' → Ρύθμιση για τις φάσεις του κύκλου. Ανατρέξτε στην παράγραφο 6.2 για λεπτομέρειες

'CO_nFIG' → Παράμετροι πηγής ισχύος

Ρύθμιση παραμέτρων του SETUP:

Στη θέση SETUP (Ρύθμιση), επιλέξτε CYCLE ή CO_nFIG πατώντας το κουμπί OK.

Γυρίστε τον **αριστερό** κωδικοποιητή για να περιηγηθείτε με κύλιση στις διαθέσιμες παραμέτρους.

Γυρίστε τον **δεξιό** κωδικοποιητή για να ορίσετε τις τιμές τους.

Έναρξη συγκόλλησης. Όλες οι αλλαγές αποθηκεύονται κατά την έξοδο από το μενού SETUP (Ρύθμιση).

Λίστα διαθέσιμων παραμέτρων στο μενού COnFIG

Αριστερή οθόνη	Δεξιά οθόνη	Βήμα	Προεπιλεγμένη τιμή	Περιγραφή
GrE	On -;OFF – Aut		Aut	Ρύθμιση παραμέτρων της μονάδας υδρόψυξης. 3 πιθανές καταστάσεις: - On: Εξαναγκασμένη ενεργοποίηση, η μονάδα υδρόψυξης είναι πάντα ενεργοποιημένη - OFF: Εξαναγκασμένη απενεργοποίηση, η μονάδα υδρόψυξης είναι πάντα απενεργοποιημένη - Aut : Αυτόματη λειτουργία, η μονάδα υδρόψυξης λειτουργεί όταν χρειάζεται
ScU	nc – no - OFF		OFF	Ασφάλεια της υδρόψυξης. 3 πιθανές καταστάσεις: - nc : Κανονικά κλειστή, - no : Κανονικά ανοικτή, - OFF : Απενεργοποιημένη
Unit	US – CE		CE	Μονάδα που εμφανίζεται για ταχύτητα και πάχος καλωδίου: - Μονάδα ΗΠΑ: ιντσών - CE: μονάδα μέτρησης
CPt	OFF– 0,01 – 1,00	0,01 s	0,30	Χρόνος καθυστέρησης σκανδαλισμού για την ενεργοποίηση ενός προγράμματος (μόνο στη λειτουργία συγκόλλησης 4T). Μπορεί να χρησιμοποιηθεί για τα προγράμματα συγκόλλησης 50 έως 99.
LAn	Fr,dE,En,It,ES,PO, ,nL,SU,Pt,rO,dA, nO,Fi,Sh,CS,Hu		En	Επιλέξτε τη γλώσσα που εμφανίζεται μόνο εάν είναι συνδεδεμένος ο τροφοδότης καλωδίων RC-JOB ή P500 Αγγλικά (EN) -Ιταλικά (It) - Ισπανικά (ES) -Πολιγικά (PO) - Ολλανδικά (nL) - Σουηδικά (SU) -Πορτογαλικά (Pt) - Ρουμανικά (RO) - Δανικά (DA) - Νορβηγικά (NO) - Φινλανδικά (Fi)Σλοβακικά (Sh) - Τσεχικά (CS) - Ουγγρικά (Hu)
PGM	no – yES		no	Ενεργοποίηση / απενεργοποίηση της λειτουργίας διαχείρισης προγραμμάτων
PGA	OFF – ;,000 – 020 %	1 %	OFF	Χρησιμοποιείται για τη ρύθμιση του διαθέσιμου εύρους προσαρμογής των εξής παραμέτρων: ταχύτητα σύρματος, τάση τόξου, δυναμική τόξου, ρύθμισης ακριβείας των παλμών. Χρησιμοποιείται μόνο όταν είναι ενεργοποιημένη η διαχείριση προγραμμάτων και τα προγράμματα είναι κλειδωμένα.
CAL	OFF – on		OFF	Βαθμονόμηση τιμιπίδας & πλεξούδας γείωσης
Adj	Loc -- rC		Loc	Επιλογή ρυθμίσεων Ταχύτητα σύρματος και τάση τόξου: - Loc: Τοπικό στην πηγή τροφοδοσίας - rC: ποτενσιόμετρο τηλεχειρισμού ή πυρσού
L	0 – 50	1 uH	14	Ρύθμιση / ένδειξη αποπνιγμού καλωδίου
r	0 – 50	1 Ω	8	Ρύθμιση / ένδειξη αντίστασης καλωδίου
SoF	no – yES		no	Λειτουργία ενημέρωσης λογισμικού.
FAC	no – yES		no	Επαναφορά εργοστασιακών ρυθμίσεων. Πατώντας YES πραγματοποιείται επαναφορά των παραμέτρων στις εργοστασιακά προεπιλεγμένες τιμές τους κατά την έξοδο από το μενού SETUP (Ρύθμιση).

Λίστα διαθέσιμων παραμέτρων στο μενού CYCLE

Αριστερή οθόνη	Δεξιά οθόνη	Βήμα	Προεπιλεγμένη τιμή	Περιγραφή
tPt	00.5 – 10.0	0,1 s	0,5	Χρόνος συγκόλλησης κατά σημεία. Στη λειτουργία Spot (Κατά σημεία) και τη λειτουργία Manual (Χειροκίνητη), οι ρυθμίσεις θερμής έναρξης, μείωσης έντασης ρεύματος και ελέγχου διαδοχής δεν μπορούν να τροποποιηθούν
PrG	00.0 – 10.0	0,1 s	0,5	Χρόνος "Pre-gas"
tHS	OFF – 00.1 – 10.0	0,1 s	0,1	Χρόνος θερμής έναρξης
IHS	-- 70 – 70	1 %	30	Ρεύμα θερμής έναρξης (ταχύτητα προώθησης σύρματος). Χ% ± του ρεύματος συγκόλλησης
UHS	-- 70 – 70	1 %	0	Τάση θερμής έναρξης Χ% ± της τάσης τόξου
dYn	--10 + 10 --20 – 20	1 %	0	Ρύθμιση ακριβείας στο βραχύ τόξο
rFP	--10 + 10 --20 + 20	1 %	0	Ρύθμιση ακριβείας στην παλμική λειτουργία
dyA	00 – 100	1	50	Δυναμική κρούσης τόξου στο ηλεκτρόδιο
tSE	OFF – 0.01 – 2.50	0,01 s	OFF	Χρόνος ελέγχου διαδοχής (έλεγχος διαδοχής, μόνο στη συνεργική λειτουργία)
ISE	--90 + 90	1 %	30	Επίπεδο έντασης ρεύματος ελέγχου διαδοχής. Χ% ± του ρεύματος συγκόλλησης
dSt	OFF – 00.1 – 05.0	0,1 s	OFF	Χρόνος σταδιακής μείωσης της έντασης του ρεύματος
DdSI	-- 70 – 00.0	1 %	-- 30	Ρεύμα σταδιακής μείωσης (ταχύτητα προώθησης σύρματος). Χ% ± του ρεύματος συγκόλλησης
dSU	-- 70 – 70	1 %	0	Τάση σταδιακής μείωσης. Χ% ± της τάσης τόξου
Pr_	0.00 – 0.20	0,01 s	0,05	Χρόνος αποφυγής «πινάματος»
PrS	Nno – yES		no	Ενεργοποίηση Pr-ψεκασμού
PoG	00.0 – 10.0	0,05 s	0,05	Χρόνος "Post-gas"

ΣΗΜΕΙΩΣΗ: Le DIGISTEEL III 420-520 / DIGIPULS III 420-520 δίνει τη δυνατότητα κλειδώματος του μενού προγραμμάτων. Η λειτουργία αυτή είναι διαθέσιμη στην οθόνη προγραμμάτων με την παράμετρο COD. Ο χρήστης πρέπει να σημειώνει τον κωδικό κλειδώματος που εισαγάγει ώστε να είναι σε θέση να απενεργοποιήσει το κλειδωμά της λειτουργίας.

3.3.4. Κλήση προγράμματος με τη σκανδάλη

Η λειτουργία αυτή επιτρέπει την αλυσιδωτή σύνδεση 2 έως 10 προγραμμάτων. Η λειτουργία είναι διαθέσιμη στη λειτουργία συγκόλλησης 4T μόνο και η λειτουργία διαχείρισης προγραμμάτων πρέπει να είναι ενεργοποιημένη.

Αλυσιδωτή σύνδεση προγραμμάτων:

Η λειτουργία κλήσης προγραμμάτων λειτουργεί με τα προγράμματα P50 έως P99, ανά δεκάδες.

⇒ P50→P59, P60→P69, P70→P79, P80→P89, P90→P99

Επιλέξτε το πρώτο πρόγραμμα με το οποίο θέλετε να ξεκινήσετε την αλυσίδα σας. Στη συνέχεια, κατά τη διάρκεια της συγκόλλησης, κάθε φορά που πατάτε τη σκανδάλη, το πρόγραμμα αλλάζει.

Για την αλυσιδωτή σύνδεση λιγότερων από δέκα προγραμμάτων, πρέπει να ορίσετε μια διαφορετική παράμετρο (συνέργεια ή κύκλο συγκόλλησης) στο πρόγραμμα που αντιστοιχεί στο τέλος του επιθυμητού συνόλου.

Υπάρχει η δυνατότητα ρύθμισης του χρόνου πατήματος της σκανδάλης για την ανίχνευση της αλλαγής αλυσίδας προγραμμάτων: SETUP → CPT → εισαγάγετε μια τιμή από 1 έως 100 → και κλείστε το SETUP

Παράδειγμα: Δημιουργήστε μια λίστα προγραμμάτων από το P50 έως το P55 (6 προγράμματα).

- 1) Στο πρόγραμμα P56, τοποθετήστε έναν διαφορετικό κύκλο συγκόλλησης ή συνέργεια σε σχέση με το P55 για να τερματίσετε την αλυσίδα
- 2) Επιλέξτε το πρόγραμμα P50 (πρώτο πρόγραμμα για την έναρξη της συγκόλλησης)
- 3) Ξεκινήστε τη συγκόλληση

Κάθε φορά που πατάτε τη σκανδάλη, η πηγή ισχύος αλλάζει το πρόγραμμα μέχρι το P55. Όταν ολοκληρωθεί η αλυσίδα, η πηγή ισχύος επανεκκινεί τη λειτουργία από το P50.

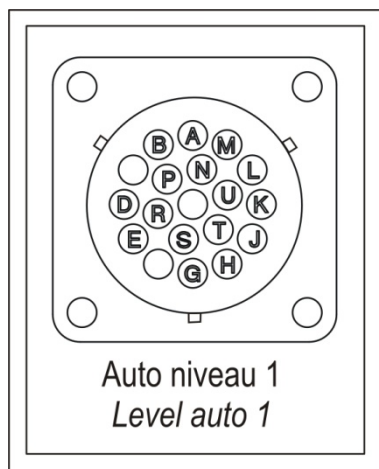
3.3.5. Αυτοματοποίηση

a) Τα DIGIPULS III αυτοματοποιούνται με πολύ απλό τρόπο. Για να γίνει αυτό αρκεί να συνδέσετε την παρεχόμενη πρίζα J2 στο πίσω μέρος της συσκευής.

Οι ενδείξεις των συρμάτων είναι: NIVEAU N1

έξοδος επαφής έντασης ri: ξηρη επαφή	K de J2
έξοδος επαφής έντασης κοίνο ri: ξηρη επαφή	L de J2
Σφαλμα	T de J2
κοίνο σφαλμα	L de J2
εισοδος σκανδαλης (+): τοποθετείται σε ξηρη επαφή	U de J2
εισοδος σκανδαλης (-): τοποθετείται σε ξηρη επαφή	M de J2

α να επικυρώσετε το κλείσιμο της επαφής RI, πρέπει οπωσδήποτε να βάλετε το « Aut ≠Off ». Η καθυστέρηση του κλεισίματος της επαφής ρυθμίζεται μέσω της τιμής 'rit' στο υπο-μενού "Palier" του SETUP.



Σημείωση : Από προεπιλογή, η λειτουργία που έχει επιλεγεί είναι ο χειροκίνητος τρόπος.

Ο τύπος της επιλεγμένης χρήσης οπτικοποιείται από την δεξιά ψηφιακή ένδειξη δεδομένων..

ΕΠΙΛΟΓΗ ΤΗΣ ΑΥΤΟΜΑΤΗΣ ΛΕΙΤΟΥΡΓΙΑΣ ΜΕ ΧΕΙΡΙΣΜΟ ΑΠΟ ΑΠΟΣΤΑΣΗ ΜΕΣΩ ΑΝΑΛΟΓΙΚΗΣ ΕΝΤΟΛΗΣ

1. Τοποθετήστε τον μεταστάτη μπροστά από την γεννήτρια στην ένδειξη « **SEt -UP** ».
2. Πιέζοντας το κουμπί « **OK** », επιλέξτε την ψηφιακή εμφάνιση δεδομένων « **Con FIG** ».
3. Τοποθετήστε τον αριστερό επιλογέα για να αποκτήσετε την ψηφιακή ένδειξη των δεδομένων « **Aut** » στα αριστερά.
4. Τοποθετήστε τον δεξιό επιλογέα για να αποκτήσετε την ψηφιακή ένδειξη δεδομένων « **n1** » στα δεξιά.

4 - ΠΡΟΑΙΡΕΤΙΚΟΣ ΕΞΟΠΛΙΣΜΟΣ, ΠΑΡΕΛΚΟΜΕΝΑ**4.1 - ΜΟΝΑΔΑ ΠΡΩΣΗΣ ΣΥΡΜΑΤΟΣ DVU P400, ΚΩΔ. W000275266****4.2 - ΜΟΝΑΔΑ ΠΡΩΣΗΣ ΣΥΡΜΑΤΟΣ DVU P500, ΚΩΔ. W000275267****4.3 - ΣΥΣΤΗΜΑ ΜΟΝΑΔΑΣ ΨΥΞΗΣ, ΚΩΔ. W000273516**

4.4 - ΤΗΛΕΧΕΙΡΙΣΜΟΥ, RC JOB, ΚΩΔ. W000273134



4.5 - ΣΥΣΚΕΥΗ ΤΗΛΕΧΕΙΡΙΣΜΟΥ 2 POTENTIOMETRES, ΚΩΔ. W000275904



Λειτουργίες τηλεχειριστηρίου:
 Προσαρμογή της ταχύτητας του σύματος κατά τη διάρκεια της συγκόλλησης και εκτός συγκόλλησης
 Προσαρμογή της τάσης του τόξου κατά τη διάρκεια της συγκόλλησης και εκτός συγκόλλησης

4.6 - DUST FILTER, ΚΩΔ. W000373703

4.7 - ΚΑΡΟΤΣΑΚΙ II, ΝΕΑ ΕΚΔΟΣΗ, ΚΩΔ. W000383000



Για εύκολη μετακίνηση της πηγής ισχύος σε περιβάλλον συνεργείου.

4.8 - ΚΑΡΟΤΣΑΚΙ ΓΕΝΙΚΗΣ ΧΡΗΣΗΣ, ΚΩΔ. W000372274

4.9 - OPTION SECURITE DE DEBIT, ΚΩΔ. W000376539

4.10 - ΠΡΟΑΙΡΕΤΙΚΟ PUSH PULL, ΚΩΔ. W000275907

4.11 - ΠΡΟΑΙΡΕΤΙΚΟΣ ΜΕΤΡΗΤΗΣ ΡΟΗΣ, ΚΩΔ. W000376539

5 - ΠΛΕΞΟΥΔΕΣ ΕΤ ΤΣΙΜΠΙΔΕΣ

5.1. ΠΛΕΞΟΥΔΕΣ

Πλεξούδα ΑΕΡΟΣ 2 Μ – 70 MM ²	réf. W000275894
Πλεξούδα ΑΕΡΟΣ 5 Μ – 70 MM ²	réf. W000275895
Πλεξούδα ΑΕΡΟΣ 10 Μ – 70 MM ²	réf. W000275896
Πλεξούδα ΑΕΡΟΣ 15 Μ – 70 MM ²	réf. W000275897
Πλεξούδα ΑΕΡΟΣ 25 Μ – 70 MM ² (sur cde)	réf. W000276901
Πλεξούδα ΑΕΡΟΣ 30 Μ – 70 MM ² (sur cde)	réf. W000371246
Πλεξούδα ΑΕΡΟΣ 40 Μ – 70 MM ² (sur cde)	réf. W000371245
Πλεξούδα ΑΕΡΟΣ 50 Μ – 70 MM ² (sur cde)	réf. W000371244

Πλεξούδα ΝΕΡΟΥ 2 Μ – 95 MM ²	réf. W000275898
Πλεξούδα ΝΕΡΟΥ 5 Μ – 95 MM ²	réf. W000275899
Πλεξούδα ΝΕΡΟΥ 10 Μ – 95 MM ²	réf. W000275900
Πλεξούδα ΝΕΡΟΥ 15 Μ – 95 MM ²	réf. W000275901
Πλεξούδα ΝΕΡΟΥ 25 Μ – 95 MM ² (sur cde)	réf. W000276902
Πλεξούδα ΝΕΡΟΥ 50 Μ – 95 MM ²	Nous consulter

Πλεξούδα ΝΕΡΟΥ ALU 2 Μ – 95 MM ²	réf. W000371044
Πλεξούδα ΝΕΡΟΥ ALU 5 Μ – 95 MM ²	réf. W000371045
Πλεξούδα ΝΕΡΟΥ ALU 10 Μ – 95 MM ²	réf. W000371175
Πλεξούδα ΝΕΡΟΥ ALU 15 Μ – 95 MM ²	réf. W000371174
Πλεξούδα ΝΕΡΟΥ ALU 25 Μ – 95 MM ²	réf. W000371239

5.2. ΤΣΙΜΠΙΔΕΣ

PROMIG NG 341 - 3 Μ	réf. W000345066
PROMIG NG 341 - 4 Μ	réf. W000345067
PROMIG NG 341 - 5 Μ	réf. W000345068

PROMIG NG 341 W - 3 Μ	réf. W000345069
PROMIG NG 341 W - 4 Μ	réf. W000345070
PROMIG NG 341 W - 5 Μ	réf. W000345071

PROMIG NG 441 - 3 Μ	réf. W000345072
PROMIG NG 441 - 4 Μ	réf. W000345073
PROMIG NG 441 - 5 Μ	réf. W000345074

PROMIG NG 441W - 3 Μ	réf. W000345075
PROMIG NG 441W - 4 Μ	réf. W000345076
PROMIG NG 441W - 5 Μ	réf. W000345077

PROMIG NG 450W - 3 Μ	réf. W000274865
PROMIG NG 450W - 4 Μ	réf. W000274866
PROMIG NG 450W - 5 Μ	réf. W000274867

5.3. ΤΣΙΜΠΙΔΕΣ PUSH PULL

PROMIG PP 341 8M	réf. W000385860
PROMIG PP 441W 8M	réf. W000385862
PROMIG PP 341 8M ποτενσιομετρο	réf. W000385861
PROMIG PP 441W 8M ποτενσιομετρο	réf. W000385863

5.4. ΤΣΙΜΠΙΔΕΣ ΜΕ ΠΟΤΕΝΣΙΟΜΕΤΡΟ

DIGITORCH P 341 - 4M	réf. W000345014
DIGITORCH P 341W - 4M	réf. W000345016
DIGITORCH P 441W - 4M	réf. W000345018

Εκτός από τις τυπικές λειτουργίες τσιμπίδας, επιτρέπει επίσης την προσαρμογή της ταχύτητας του σύρματος και το μήκος του τόξου, τόσο κατά τη διάρκεια της συγκόλλησης όσο και εκτός συγκόλλησης

6 - ΣΥΝΤΗΡΗΣΗ

6.1. ΓΕΝΙΚΑ

2 φορές το χρόνο, ανάλογα με τη χρήση της συσκευής, κάντε επιθεώρηση:

- ⇒ της καθαριότητας της γεννήτριας
- ⇒ των ηλεκτρικών συνδέσεων και αερίου.

ΠΡΟΕΙΔΟΠΟΙΗΣΗ:



Ποτέ μην επιχειρείτε εσωτερικό καθαρισμό ή αποκατάσταση βλάβης της συσκευής χωρίς να βεβαιωθείτε πρώτα ότι η συσκευή έχει αποσυνδεθεί εντελώς από το δίκτυο.

Αποσυναρμολογήστε τα τοιχώματα της γεννήτριας και αναρροφήστε τη σκόνη και τα μεταλλικά σωματίδια που έχουν συσσωρευτεί μεταξύ των μαγνητικών κυκλωμάτων και των περιελίξεων του μετασχηματιστή.

Η εργασία αυτή πρέπει να εκτελείται με πλαστικό ακροστόμιο προκειμένου να μην προκληθεί ζημιά στα μονωτικά των περιελίξεων.

Σε κάθε ενεργοποίηση του εξοπλισμού και πριν καλέσετε την Τεχνική Υποστήριξη για βοήθεια, ελέγξτε τα εξής:

- ⇒ Ότι οι ακροδέκτες ισχύος είναι καλά σφιγμένοι .
- ⇒ Ότι η τάση του δικτύου παροχής είναι η σωστή .
- ⇒ Ότι η ροή του αερίου είναι σωστή
- ⇒ Τον τύπο και τη διάμετρο του σύρματος. Την κατάσταση της τσιμπίδας.

ΔΥΟ ΦΟΡΕΣ ΤΟΝ ΧΡΟΝΟ



- ⇒ Βαθμονόμηση των ρυθμίσεων ρεύματος και τάσης.
- ⇒ Έλεγχος των ηλεκτρικών συνδέσεων των κυκλωμάτων ισχύος, ελέγχου και τροφοδοσίας.
- ⇒ Έλεγχος της κατάστασης των μονωτικών, των καλωδίων, των συνδέσεων και των σωληνώσεων.
- ⇒ Εκτέλεση καθαρισμού με πεπιεσμένο αέρα

6.2. ΤΡΟΧΟΙ ΚΥΛΙΣΗΣ ΚΑΙ ΟΔΗΓΟΙ ΣΥΡΜΑΤΟΣ

Τα εξαρτήματα αυτά εξασφαλίζουν, υπό κανονικές συνθήκες, μακροχρόνια χρήση πριν παρουσιαστεί ανάγκη αντικατάστασής τους. Ωστόσο συμβαίνει να εκδηλωθεί, μετά από κάποιο διάστημα χρήσης, υπερβολική φθορά ή έμφραξη οφειλόμενη σε προσφυτικές εναποθέσεις.

6.3. ΤΣΙΜΠΙΔΑ

Ελέγχετε τακτικά το σωστό σφίξιμο των συνδέσεων, οι οποίες εξασφαλίζουν την παροχή του ρεύματος συγκόλλησης. Οι μηχανικές καταπονήσεις που σχετίζονται με τις θερμικές κρούσεις συμβάλλουν στη χαλάρωση ορισμένων τμημάτων της τσιμπίδας, κυρίως:

- ⇒ σωλήνας επαφής
- ⇒ ομοαξονικό καλώδιο
- ⇒ εκτοξευτήρας συγκόλλησης
- ⇒ βύσμα ταχείας αποσύνδεσης

Ελέγξτε την καλή κατάσταση του παρεμβύσματος του ρακόρ προσαγωγής αερίου.

Απομακρύνετε τις εκτοξεύσεις μετάλλου μεταξύ του σωλήνα επαφής και του ακροφυσίου αφενός, μεταξύ του ακροφυσίου και του τοιχώματος αφετέρου.

- ⇒ SPRAYMIG SIB, W000011093
- ⇒ SPRAYMIG H20, W000010001

Κάντε εμφύσηση στο αγωγό σύρματος μετά από κάθε πέρασμα μιας μπομπίνας σύρματος. Εκτελέστε τη ενέργεια αυτή από την πλευρά του φινι ταχείας σύνδεσης της τσιμπίδας.

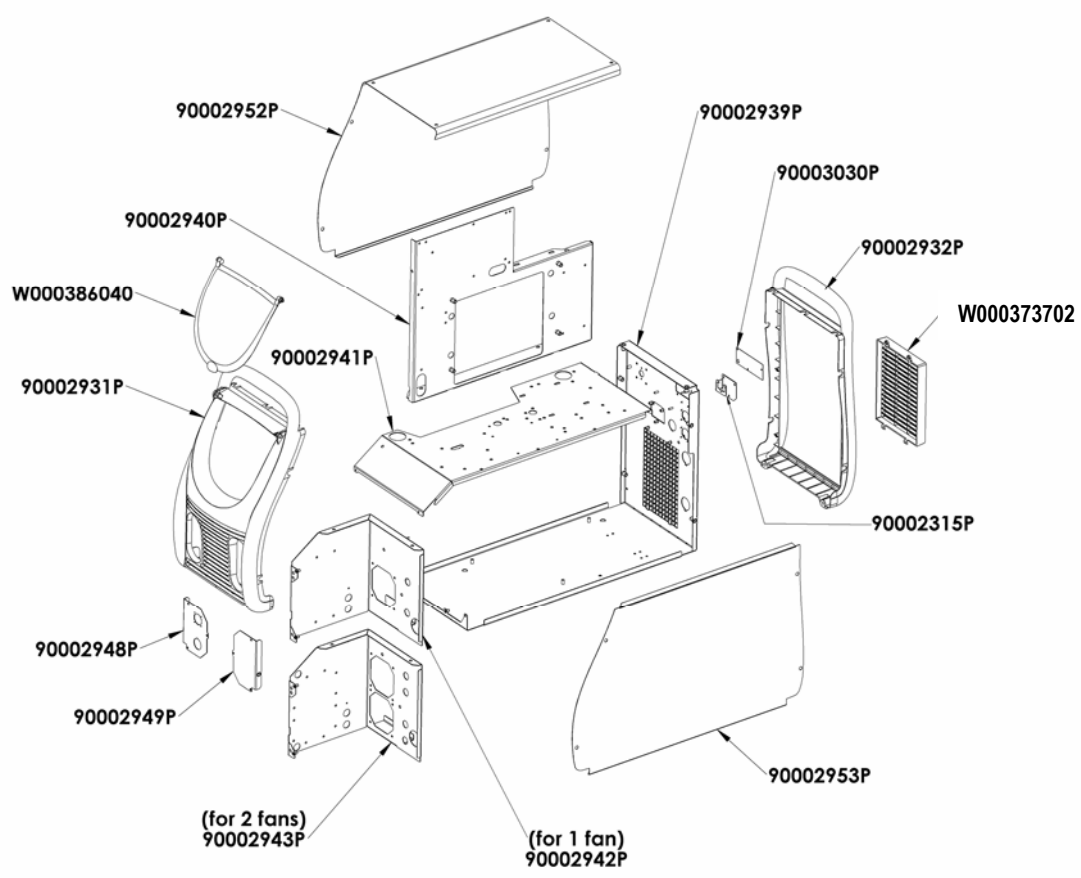
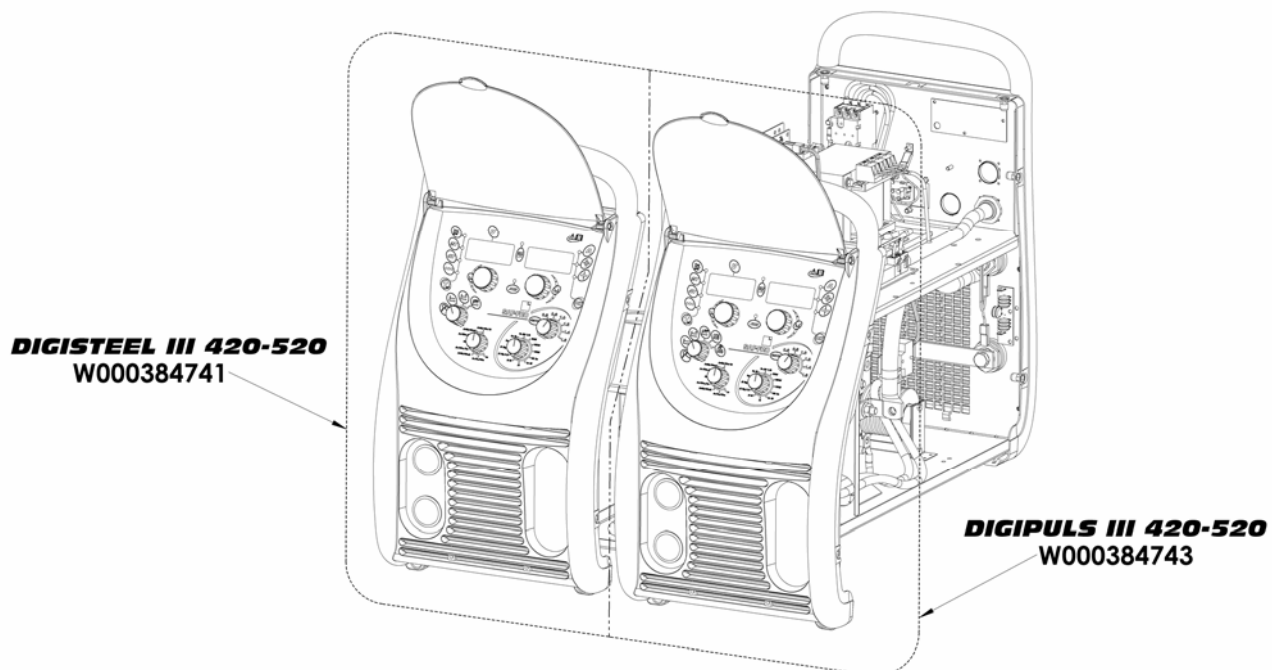
Εάν χρειαστεί, αντικαταστήστε τον οδηγό σύρματος εισόδου τσιμπίδας.

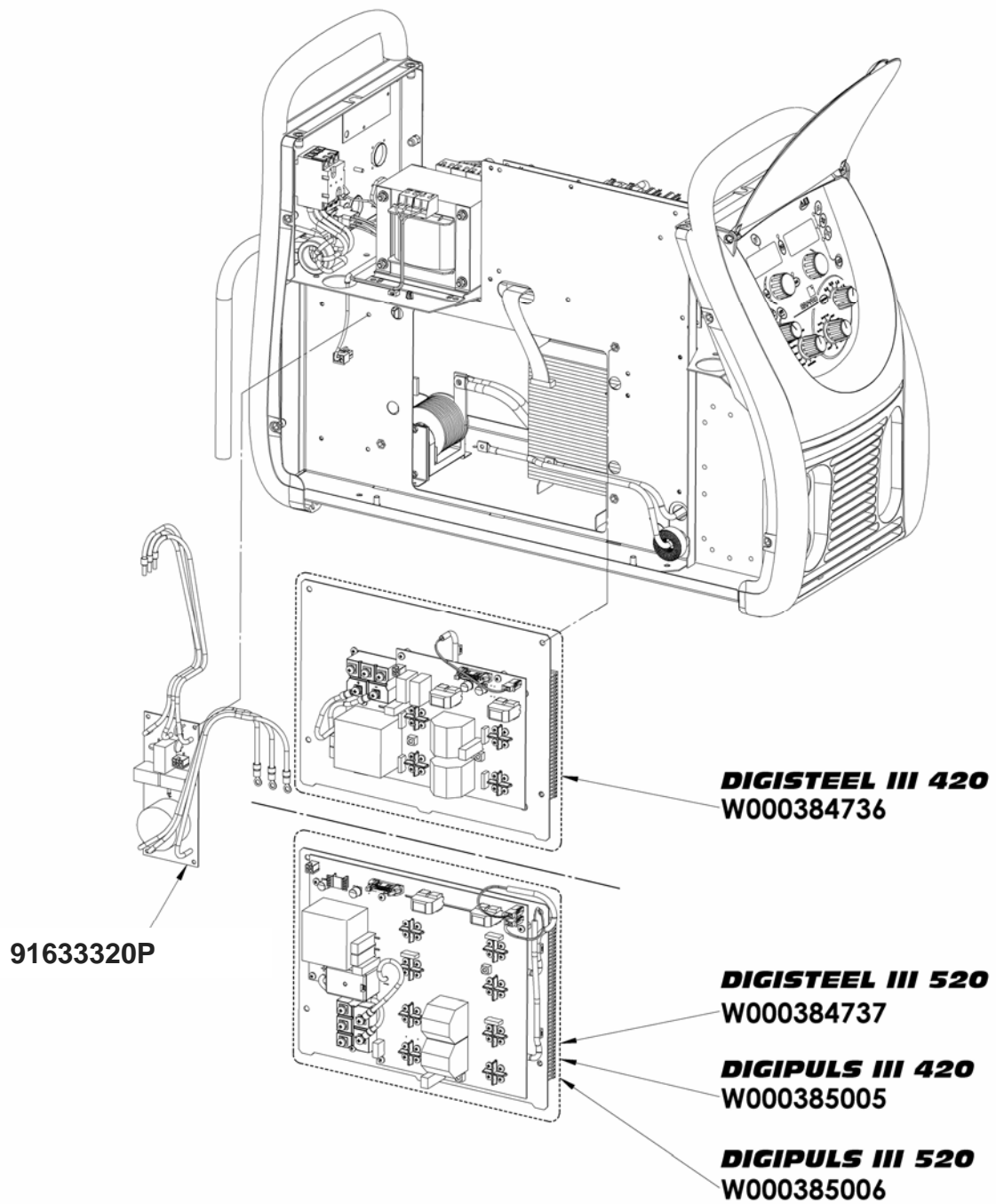
Η σημαντική φθορά του οδηγού σύρματος ευνοεί τις διαρροές αερίου προς το πίσω μέρος της τσιμπίδας.

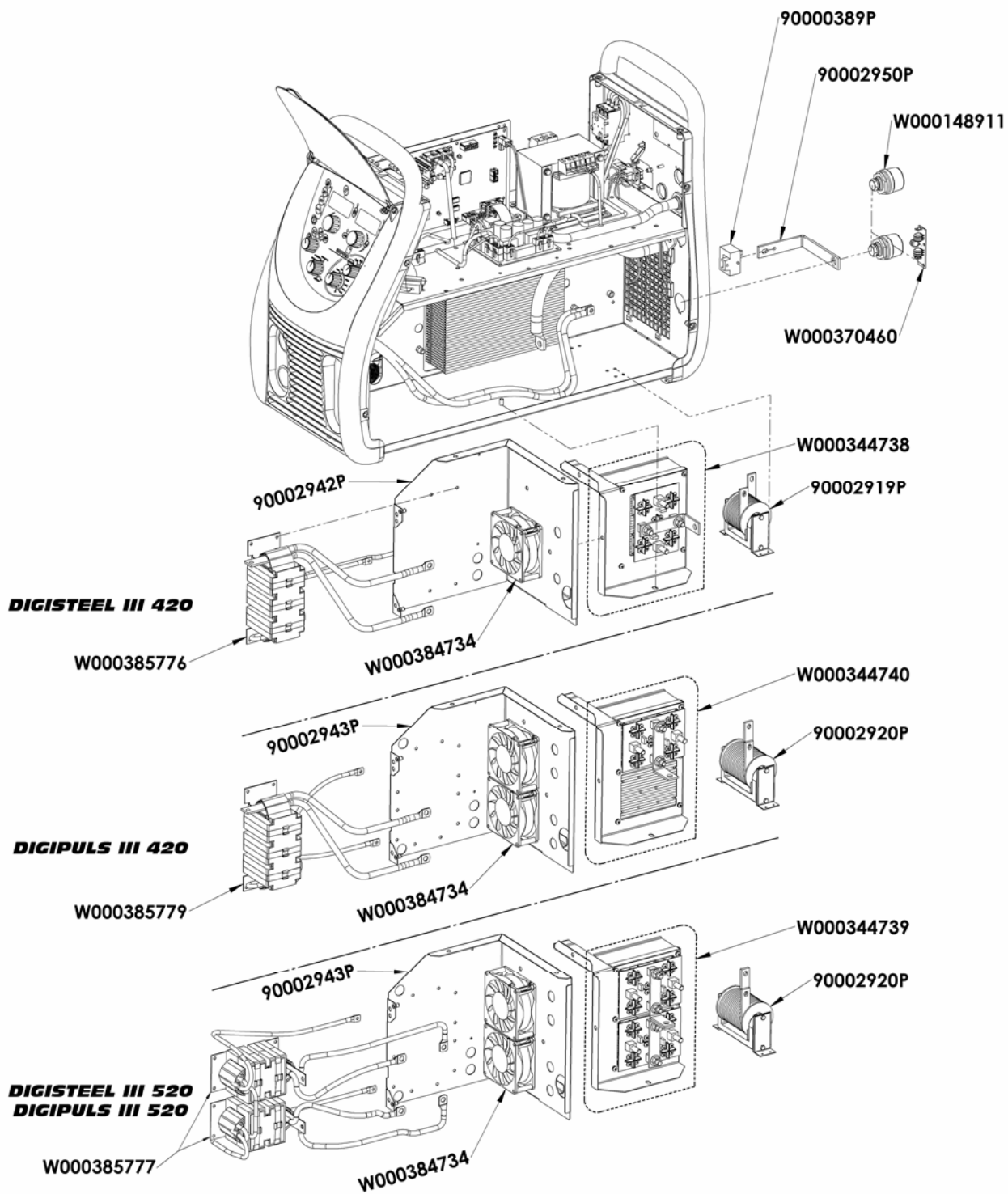
Κάντε εμφύσηση στο αγωγό σύρματος μετά από κάθε πέρασμα μιας μπομπίνας σύρματος. Εκτελέστε τη ενέργεια αυτή από την πλευρά του φινι ταχείας σύνδεσης της τσιμπίδας.

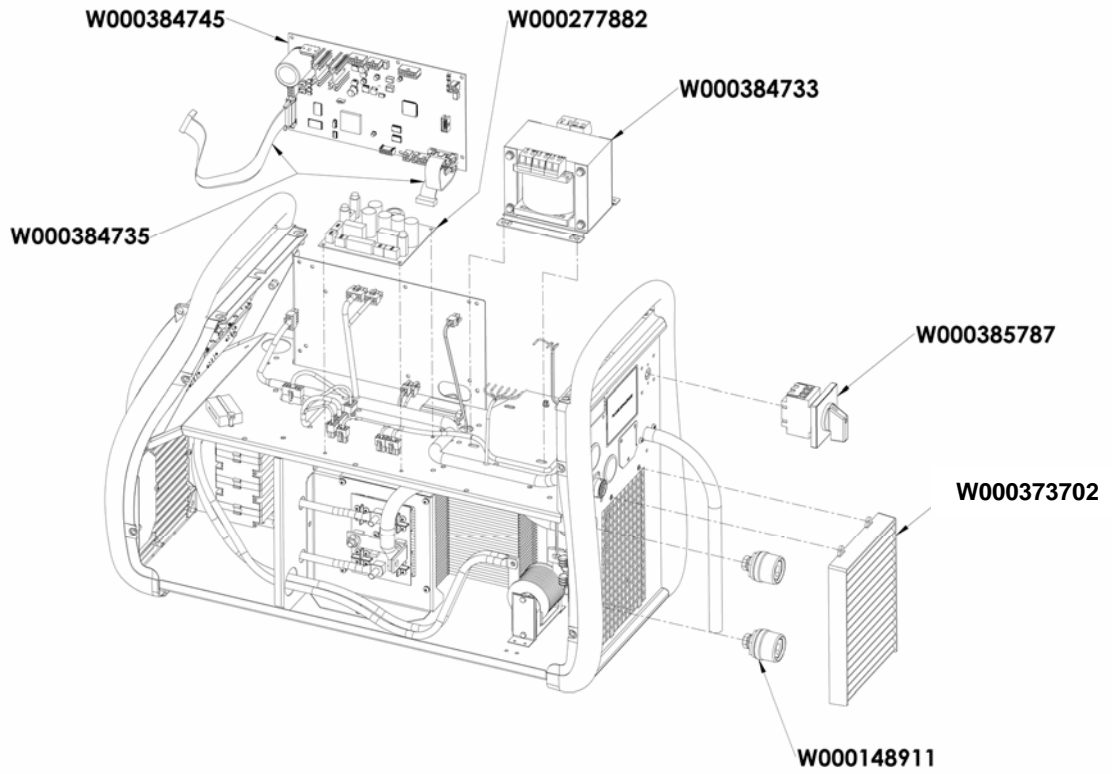
6.4. ΣΥΝΤΗΡΗΣΗ

Περίβλημα



Εσωτερικό και αναστροφήας:





6.5. ΔΙΑΔΙΚΑΣΙΑ ΑΝΤΙΜΕΤΩΠΙΣΗΣ ΠΡΟΒΛΗΜΑΤΩΝ

Οι εργασίες συντήρησης σε ηλεκτρικό εξοπλισμό πρέπει να εκτελούνται από καταρτισμένους επαγγελματίες.

ΑΙΤΙΕΣ	ΛΥΣΕΙΣ
Η ΓΕΝΗΤΡΙΑ ΕΙΝΑΙ ΕΝΕΡΓΟΠΟΙΗΜΕΝΗ ΕΝΩ Ο ΜΠΡΟΣΤΙΝΟΣ ΠΙΝΑΚΑΣ ΕΙΝΑΙ ΑΠΕΝΕΡΓΟΠΟΙΗΜΕΝΟΣ	
Παροχή ισχύος	Ελέγξτε την παροχή ρεύματος (σε κάθε φάση)
ΕΜΦΑΝΙΣΗ ΤΟΥ ΜΗΝΥΜΑΤΟΣ E01 ond	
Έχει σημειωθεί υπέρβαση του μέγιστου ρεύματος κρούσης της πηγής ισχύος	Πατήστε το κουμπί OK για να εκκαθαρίσετε το σφάλμα. Εάν το πρόβλημα εμμένει, καλέστε την Υποστήριξη Πελατών
ΕΜΦΑΝΙΣΗ ΤΟΥ ΜΗΝΥΜΑΤΟΣ E02 inu	
Ανεπαρκής αναγνώριση της πηγής ισχύος – μόνο κατά την εκκίνηση –. Αστοχία συνδέσμων	Βεβαιωθείτε ότι το ταινιοειδές καλώδιο ανάμεσα στην κεντρική κάρτα του αναστροφέα και την κάρτα κύκλου είναι σωστά συνδεδεμένο.
ΕΜΦΑΝΙΣΗ ΤΟΥ ΜΗΝΥΜΑΤΟΣ E07 400	
Ακατάλληλη τάση τροφοδοσίας	Βεβαιωθείτε ότι η τάση τροφοδοσίας είναι εντός του αποδεκτού εύρους +/- 20% της κύριας παροχής ισχύος της πηγής ρεύματος.
ΕΜΦΑΝΙΣΗ ΤΟΥ ΜΗΝΥΜΑΤΟΣ E24 SEn	
Σφάλμα αισθητήρα θερμοκρασίας	Βεβαιωθείτε ότι ο σύνδεσμος B9 είναι σωστά συνδεδεμένος στην κάρτα κύκλου (εάν όχι, δεν εκτελείται μέτρηση της θερμοκρασίας) Ο αισθητήρας θερμοκρασίας είναι εκτός λειτουργίας. Καλέστε την Εξυπηρέτηση Πελατών
ΕΜΦΑΝΙΣΗ ΤΟΥ ΜΗΝΥΜΑΤΟΣ E25°C	
Surchauffe de la source de puissance Défaut ventilation	Laisser refroidir le générateur Le défaut disparaît de lui-même au bout de quelques minutes Vérifier que la ventilation fonctionne correctement
ΕΜΦΑΝΙΣΗ ΤΟΥ ΜΗΝΥΜΑΤΟΣ E33 MEM-LIM Το μήνυμα αυτό υποδεικνύει ότι η μνήμη δεν είναι πλέον λειτουργική	
Δυσλειτουργία κατά την αποθήκευση της μνήμης	Καλέστε την Εξυπηρέτηση Πελατών.
ΕΜΦΑΝΙΣΗ ΤΟΥ ΜΗΝΥΜΑΤΟΣ E43 brd	
Σφάλμα στον ηλεκτρονικό πίνακα	Καλέστε την Εξυπηρέτηση Πελατών.
ΕΜΦΑΝΙΣΗ ΤΟΥ ΜΗΝΥΜΑΤΟΣ E50 H2o	
Σφάλμα στη μονάδα ψύξης	Βεβαιωθείτε ότι η μονάδα ψύξης είναι σωστά συνδεδεμένη. Ελέγξτε τη μονάδα ψύξης (μετασχηματιστής, αντλία νερού,...) Εάν δεν χρησιμοποιείτε μονάδα ψύξης, απενεργοποιήστε την παράμετρο στο μενού SETUP (Ρύθμιση).
ΕΜΦΑΝΙΣΗ ΤΟΥ ΜΗΝΥΜΑΤΟΣ E63 IMO	
Μηχανικό πρόβλημα	Ο κύλινδρος πίεσης είναι πολύ σφιχτός. Ο αγωγός τροφοδότησης του σύρματος είναι φραγμένη από ρύπους. Το κλειδί του άξονα της μπομπίνας τροφοδοσίας σύρματος είναι πολύ σφιχτό.
ΕΜΦΑΝΙΣΗ ΤΟΥ ΜΗΝΥΜΑΤΟΣ E65-Mot	
Ελαττωματικοί σύνδεσμοι Μηχανικό πρόβλημα Παροχή ρεύματος	Ελέγξτε τη σύνδεση του ταινιοειδούς καλωδίου του κωδικοποιητή με το μοτέρ του τροφοδότη σύρματος. Βεβαιωθείτε ότι η διάταξη του τροφοδότη σύρματος δεν είναι φραγμένη. Ελέγξτε τη σύνδεση του τροφοδοτικού του μοτέρ. Ελέγξτε το F2 (6A) στη βοηθητική κάρτα ισχύος.
ΕΜΦΑΝΙΣΗ ΤΟΥ ΜΗΝΥΜΑΤΟΣ E71 -DIA-MET-GAS	
HMI επιλογή ΔΙΑΔΙΚΑΣΙΑ-ΔΙΑΜΕΤΡΟΣ-METAL-αερίου στην προεπιλογή	Γυρίστε τον επιλογή για να ξεκλειδώσετε, μετά appeler le après vente υπηρεσίας, εφόσον πάντα Προκαθορισμένο
ΕΜΦΑΝΙΣΗ ΤΟΥ ΜΗΝΥΜΑΤΟΣ StE PUL	
Ο αναστροφέας δεν αναγνωρίζεται σωστά	Καλέστε την Εξυπηρέτηση Πελατών
ΕΜΦΑΝΙΣΗ ΤΟΥ ΜΗΝΥΜΑΤΟΣ I-A-MAXX	
Έχει επιτευχθεί η μέγιστη ένταση ρεύματος της πηγής ισχύος	Μειώστε την ταχύτητα του σύρματος ή την τάση του τόξου
ΕΜΦΑΝΙΣΗ ΤΟΥ ΜΗΝΥΜΑΤΟΣ bPXon	

ήνυμα που υποδεικνύει ότι το κουμπί OK ή το κουμπί CANCEL κρατιέται πατημένο σε απρόσμενες στιγμές

πιέστε το κουμπί για να ξεκλειδώσετε, μετά την εξυπηρέτηση των πελατών κλήση αν πάντα στην προεπιλογή

ΕΜΦΑΝΙΣΗ ΤΟΥ ΜΗΝΥΜΑΤΟΣ SPXXXX

τροφοδοσία σύρματος είναι πάντα ενεργοποιημένη ακούσια

Ελέγξτε το κουμπί τροφοδοσίας σύρματος δεν είναι αποκλεισμένη
Ελέγξτε τη σύνδεση αυτού του κουμπιού και ηλεκτρονικό πίνακα

ΕΜΦΑΝΙΣΗ ΤΟΥ ΜΗΝΥΜΑΤΟΣ LOA DPC

Ενημέρωση λογισμικού από το PC ενεργοποιείται ακούσια

Σταματήστε και ξεκινήστε την πηγή ρεύματος, μετά την εξυπηρέτηση των πελατών κλήση αν πάντα Προκαθορισμένο

ΣΦΑΛΜΑ ΣΚΑΝΔΑΛΗΣ

Το μήνυμα αυτό εμφανίζεται όταν ο χρήστης πατά τη σκανδάλη σε ένα χρονικό σημείο στο οποίο μπορεί να προκληθεί ακούσια έναρξη ενός κύκλου.

Πάτημα της σκανδάλης πριν την ενεργοποίηση της πηγής ισχύος ή κατά τη διάρκεια επαναφοράς λόγω σφάλματος.

ΓΕΝΝΗΤΡΙΑ ΣΕ ΛΕΙΤΟΥΡΓΙΑ / ΧΩΡΙΣ ΤΡΟΦΟΔΟΣΙΑ ΣΥΡΜΑΤΟΣ ΚΑΙ ΧΩΡΙΣ

Συνδέσεις εξάρτησης

Ελέγξτε τη σύνδεση της εξάρτησης στο πίσω μέρος του σετ συγκόλλησης και στον τροφοδότη του σύρματος. Ελέγξτε την κατάσταση των επαφών

ΔΕΝ ΥΠΑΡΧΕΙ ΙΣΧΥΣ ΣΥΓΚΟΛΛΗΣΗΣ ΔΕΝ ΕΜΦΑΝΙΖΕΤΑΙ ΜΗΝΥΜΑ ΣΦΑΛΜΑΤΟΣ

Το καλώδιο τροφοδοσίας δεν είναι συνδεδεμένο

Αστοχία πηγής ρεύματος

Ελέγξτε τη σύνδεση της λωρίδας γείωσης και της δέσμης καλωδίων (καλώδια ελέγχου και τροφοδοσίας)

Στη λειτουργία επενδεδυμένου ηλεκτροδίου, ελέγξτε την τάση ανάμεσα στους ακροδέκτες συγκόλλησης στο πίσω μέρος της γεννήτριας. Εάν δεν υπάρχει τάση, καλέστε το Τμήματα Εξυπηρέτησης Πελατών.

Ποιότητα ΣΥΓΚΟΛΛΗΣΗΣ

Λανθασμένη βαθμονόμηση

Αλλαγή τσιμπίδας ή/και λωρίδας γείωσης ή τεμαχίου εργασίας

Ασταθής ή αυξομειούμενη συγκόλληση

Ασταθής ή αυξομειούμενη συγκόλληση

Περιορισμένο εύρος ρυθμίσεων προσαρμογής

Ανεπαρκής παροχής ρεύματος από την πηγή ισχύος

Ελέγξτε την παράμετρο ρύθμισης ακριβείας (RFP = 0)
Επαναλάβετε τη βαθμονόμηση. (Επαληθεύστε τη σωστή ηλεκτρική επαφή του κυκλώματος συγκόλλησης).

Βεβαιωθείτε ότι δεν έχει ενεργοποιηθεί ο έλεγχος ακολουθίας. Ελέγξτε τη Θερμότητα Έναρξη και τη φάση μείωσης ρεύματος (downslope).

Επιλέξτε τη χειροκίνητη λειτουργία. Ο περιορισμός επιβάλλεται από τους κανόνες συμβατότητας αλληλεπιδράσεων.

Εάν χρησιμοποιείτε το RC JOB, βεβαιωθείτε ότι δεν έχετε ενεργοποιήσει τον περιορισμό ρυθμίσεων με κωδικό πρόσβασης

Ελέγξτε τη σύνδεση των τριών φάσεων παροχής ρεύματος.

ΆΛΛΟ

Το σύρμα κόλλησε στη δεξαμενή τηγμένου μετάλλου ή στο σωλήνα επαφής

Εμφάνιση του μηνύματος TRIG κατά την ενεργοποίηση της ισχύος.

Βελτιστοποιήστε τις παραμέτρους απόσβεσης τόξου: Ψεκασμός PR και μετά την αφαίρεση

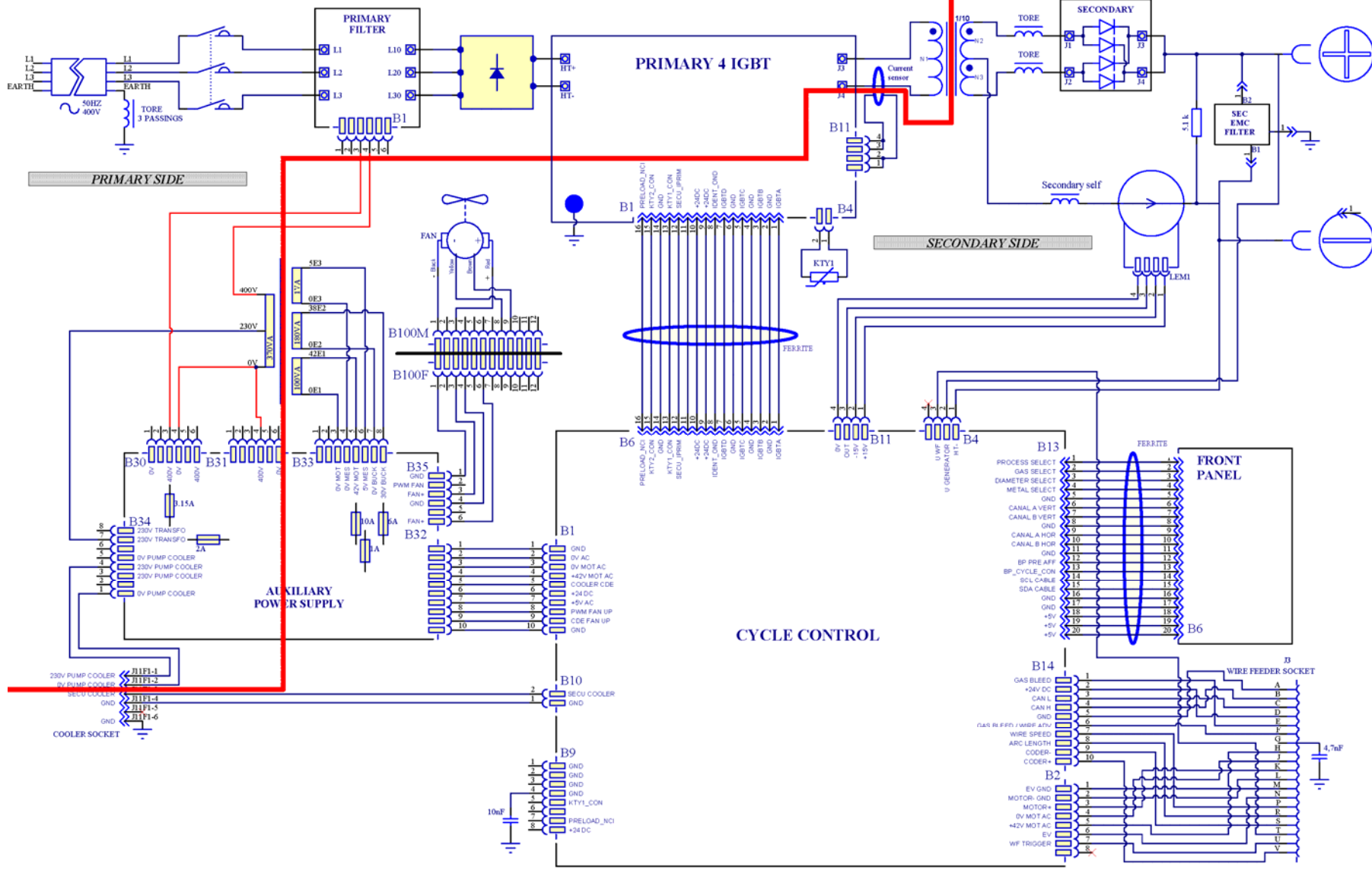
Το μήνυμα TTRIG εμφανίζεται όταν η σκανδάλη ενεργοποιείται πριν την ενεργοποίηση του σετ συγκόλλησης

Εάν το πρόβλημα εμμένει, μπορείτε να εκτελέσετε επαναφορά των παραμέτρων στις εργοστασιακές ρυθμίσεις τους. Για τον σκοπό αυτό, με τη μονάδα συγκόλλησης απενεργοποιημένη, επιλέξτε τη θέση Setup (Ρύθμιση) στον επιλογέα του μπροστινού πίνακα, πατήστε το κουμπί OK και κρατήστε το πατημένο ενώ ενεργοποιείτε τη γεννήτρια.

ΣΗΜΕΙΩΣΗ

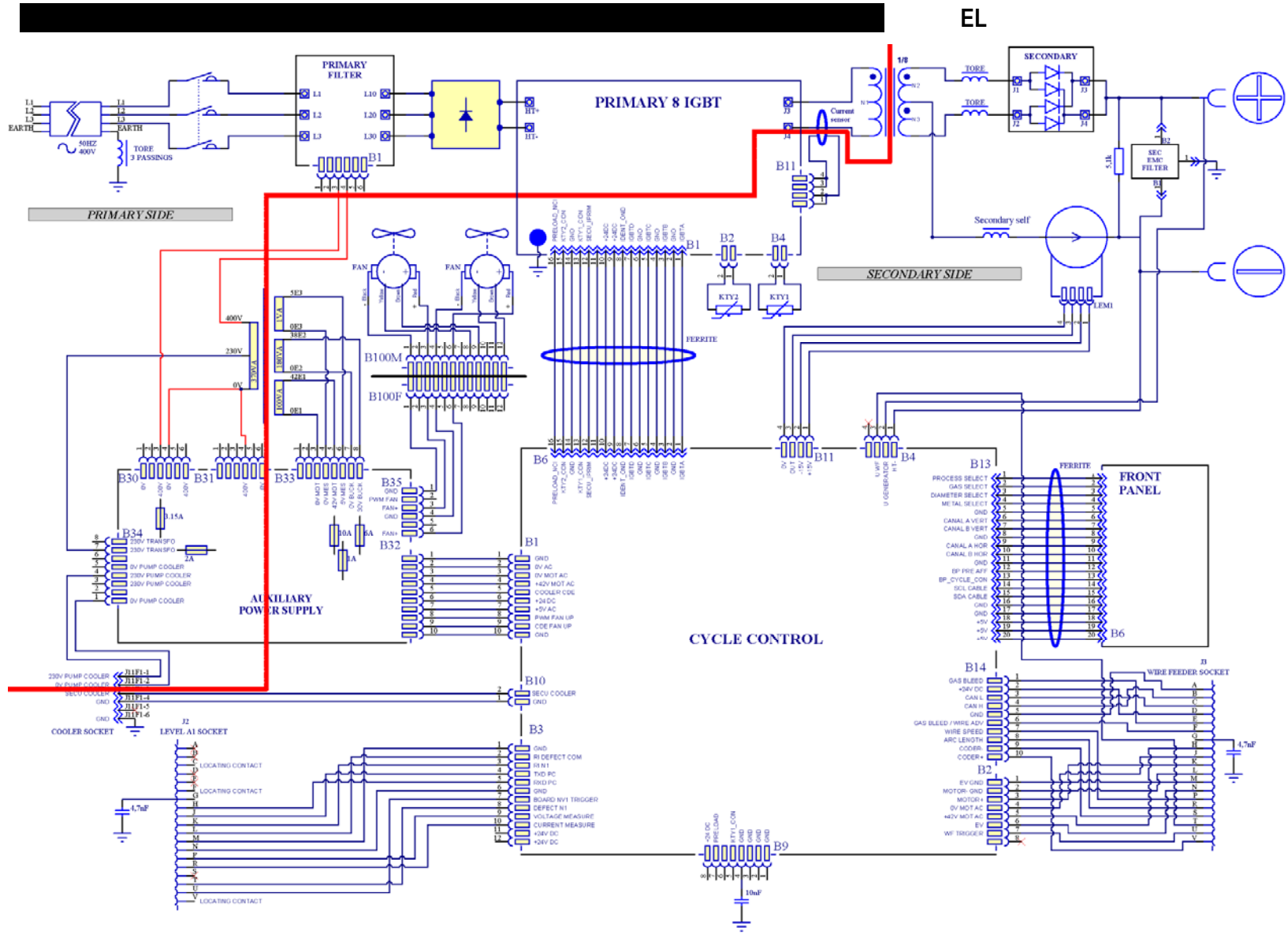
Μπορεί να σας φανεί χρήσιμο να καταγράψετε πρώτα τις παραμέτρους εργασίας σας, καθώς η λειτουργία αυτή θα διαγράψει όλα τα προγράμματα που είναι αποθηκευμένα στη μνήμη. Εάν η επαναφορά στις εργοστασιακές ρυθμίσεις δεν επιλύσει το πρόβλημα, καλέστε την Εξυπηρέτηση Πελατών.

6.6. SCHEMA ELECTRIQUE



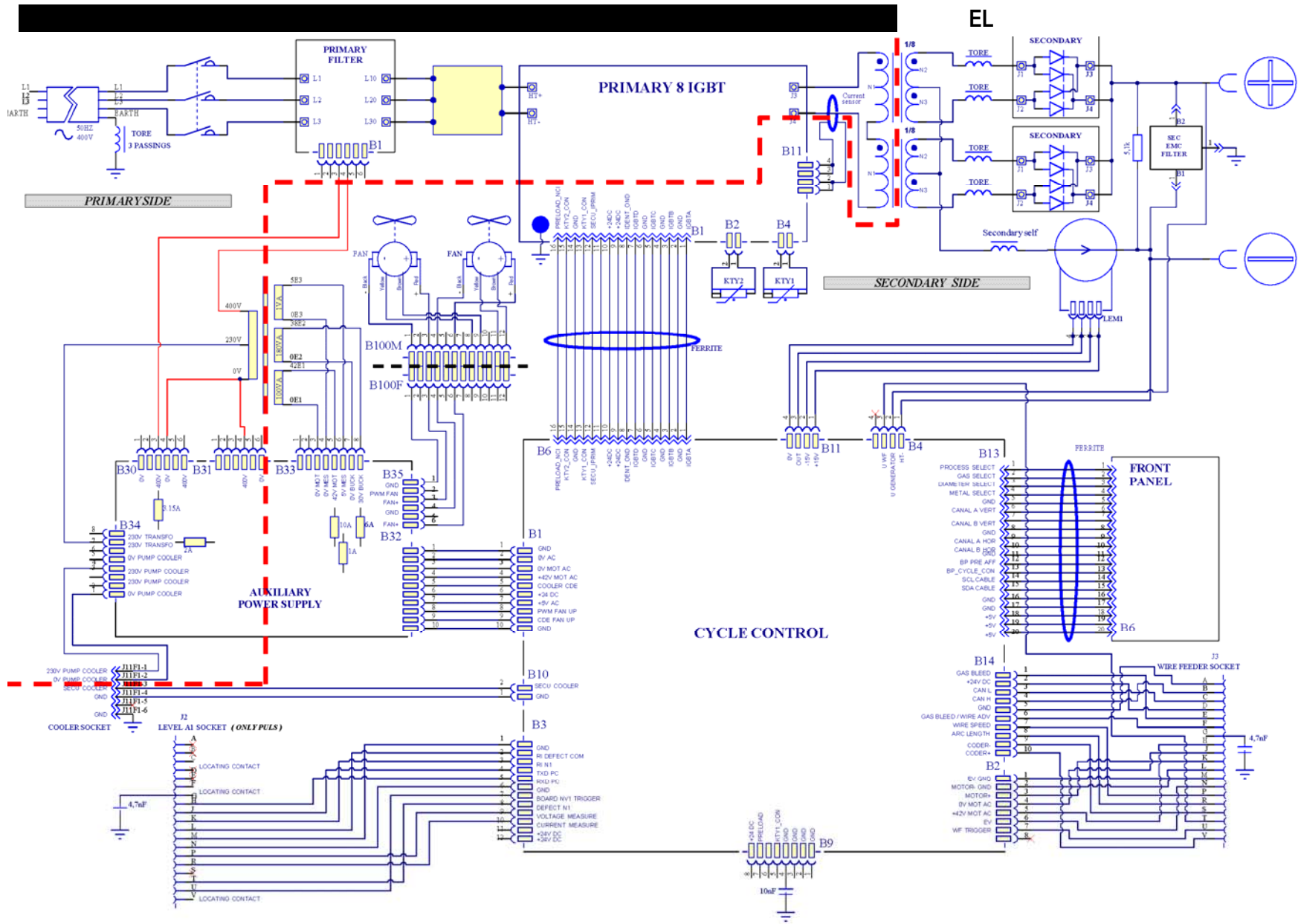
EL

DIGISTEEL III 420A



EL

DIGIPULS III 420A



DIGISTEEL III – DIGIPULS III 520A

7 - ΠΑΡΑΡΤΗΜΑΤΑ

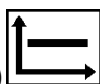
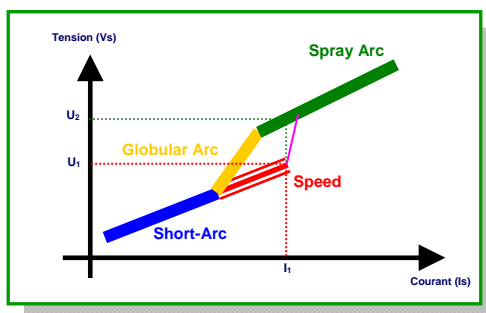
7.1. ΠΑΡΟΥΣΙΑΣΗ ΤΩΝ ΜΕΘΟΔΩΝ ΣΥΓΚΟΛΗΣΗΣ

Για εφαρμογές σε ανθρακούχους και ανοξείδωτους χάλυβες, το DIGISTEEL III 420-520 / DIGIPULS III 420-520 χρησιμοποιεί 3 τύπους βραχέος τόξου:

- + “απαλό” ή “λείο” βραχύ τόξο»
- + “Δυναμικό” βραχύ τόξο ή « SSA »
- + Le short arc HPS

Η λειτουργία παλμικού MIG μπορεί να χρησιμοποιηθεί σε όλους τους τύπους μετάλλου (χάλυβας, ανοξείδωτος χάλυβας και αλουμίνιο) με συμπαγή σύρματα και ορισμένα σύρματα με πυρήνα. Ενδείκνυται ιδιαίτερα για εφαρμογές σε ανοξείδωτο χάλυβα και αλουμίνιο, στις οποίες αποτελεί την ιδανική μέθοδο καθώς εξαλείφει τις πιπιλιές συγκόλλησης και επιτυγχάνει άριστη σύντηξη του σύρματος.

- + Χαρακτηριστικά του τόξου της πηγής ισχύος



“Απαλό” ή “λείο” βραχύ τόξο (SA)

Το “απαλό” βραχύ τόξο επιτυγχάνει **μεγάλη μείωση του πιπιλίσματος** κατά τη συγκόλληση ανθρακούχου χάλυβα, με αποτέλεσμα τη σημαντική μείωση του κόστους φινιρίσματος.

Βελτιώνει την εμφάνιση του κορδονιού συγκόλλησης χάρη στη βελτιωμένη διαβροχή του μεταλλικού λουτρού.

Το “απαλό” βραχύ τόξο είναι κατάλληλο για συγκόλληση σε όλες τις θέσεις. Η αύξηση της ταχύτητας τροφοδότησης του σύρματος καθιστά εφικτή την ενεργοποίηση της λειτουργίας τόξου ψεκασμού χωρίς να αποτρέπεται η μετάβαση στη σφαιροειδή λειτουργία.

Κυματομορφή της μεθόδου συγκόλλησης βραχέος τόξου



Σημείωση: Το “απαλό” βραχύ τόξο είναι ελαφρώς πιο ενεργητικό από το βραχύ τόξο “υψηλής ταχύτητας”. Κατά συνέπεια, το βραχύ τόξο “υψηλής ταχύτητας” ενδέχεται να είναι καταλληλότερο από το “απαλό” σε εφαρμογές συγκόλλησης πολύ λεπτών ελασμάτων (≤ 1 mm) ή συγκόλλησης θέσεων ρίζας με πλήρη συγκόλληση.



“Δυναμικό” βραχύ τόξο ή “βραχύ τόξο υψηλής ταχύτητας” (SSA)

Το βραχύ τόξο υψηλής ταχύτητας SSA επιτρέπει μεγαλύτερη προσαρμοστικότητα στις εφαρμογές συγκόλλησης ανθρακούχου και ανοξείδωτου χάλυβα, και επίσης απορροφά τις διακυμάνσεις από τις κινήσεις του χεριού του συγκολλητή, για παράδειγμα κατά τη συγκόλληση σε μια δύσκολη θέση. Βοηθά επίσης στην αντιστάθμιση των διαφορών κατά την προετοιμασία των τεμαχίων για συγκόλληση.

Αυξάνοντας την ταχύτητα τροφοδότησης του σύρματος, η λειτουργία SA μεταβαίνει απρόσκοπτα στην SSA, αποτρέποντας παράλληλα τη σφαιροειδή λειτουργία. Χάρη στον γρήγορο έλεγχο του τόξου και χρησιμοποιώντας τον κατάλληλο προγραμματισμό το DIGISTEEL III 420-520 / DIGIPULS III 420- 520 μπορεί να επεκτείνει τεχνητά το εύρος του βραχέος τόξου σε υψηλότερες εντάσεις ρεύματος, στο εύρος του **βραχέος τόξου υψηλής ταχύτητας**

Κυματομορφή της μεθόδου συγκόλλησης βραχέος τόξου υψηλής ταχύτητας



Εξαιείφοντας τη "σφαιροειδή" λειτουργία τόξου, η οποία χαρακτηρίζεται από έντονα και κολλώδη πιτσιλίσματα και υψηλότερη ενέργεια σε σχέση με το βραχύ τόξο, το βραχύ τόξο υψηλής ταχύτητας παρέχει τις εξής δυνατότητες:

- ⇒ Μείωση των παραμορφώσεων στις υψηλές εντάσεις ρεύματος συγκόλλησης, στο τυπικό εύρος "σφαιροειδούς" συγκόλλησης
- ⇒ Μείωση του πιτσιλίσματος σε σύγκριση με τη σφαιροειδή λειτουργία
- ⇒ Επίτευξη καλής εμφάνισης της συγκόλλησης
- ⇒ Μείωση εκπομπών καπνού σε σύγκριση με τις συνηθισμένες λειτουργίες (έως και 25% λιγότερο)
- ⇒ Επίτευξη σωστής στρογγυλεμένης διείσδυσης
- ⇒ Δυνατότητα συγκόλλησης από όλες τις θέσεις

Σημείωση: Τα προγράμματα CO₂ χρησιμοποιούν αυτόματα και αποκλειστικά το "απαλό" βραχύ τόξο και δεν επιτρέπουν την πρόσβαση στο βραχύ τόξο υψηλής ταχύτητας.

Το "δυναμικό" βραχύ τόξο δεν είναι κατάλληλο για συγκόλληση CO₂ λόγω της αστάθειας του τόξου..



HPS – Ταχύτητα υψηλής διείσδυσης

Η HPS είναι μια μέθοδος συγκόλλησης που έχει σχεδιαστεί από την LE και συνδυάζει τα πλεονεκτήματα των μοντέλων Τόξου ψεκασμού και Βραχυκυκλωμένου τόξου.

Λόγω της χαμηλότερης τάσης συγκόλλησης σε σύγκριση με την παραδοσιακή μέθοδο Τόξου ψεκασμού, η ενέργεια της συγκόλλησης είναι χαμηλότερη και τα υλικά της συγκόλλησης λιγότερο περιορισμένα. Χάρη στη διαχείρισή της μέσω της προσαρμοσμένης ψηφιακής ρύθμισης, η HPS παρουσιάζει τα εξής πλεονεκτήματα:

- Διαθέτει τόξο που προσφέρει μεγάλο περιθώριο ελιγμών παρά την υψηλή λειτουργία συγκόλλησης που χρησιμοποιείται
- Έχει μεγαλύτερη προεξοχή, καθιστώντας εφικτή τη συγκόλληση στο κάτω μέρος της λοξότμησης κατά τη διάρκεια χρήσης του τόξου προετοιμασίας
- Αύξηση της διείσδυσης και μείωση ή και εξάλειψη του λοξοτμημένου άκρου
- Αυξάνει την παραγωγικότητα, μειώνοντας παράλληλα τις προετοιμασίες και αυξάνοντας την ταχύτητα τροφοδότησης του μετάλλου πλήρωσης
- Εξαιείφει το φαινόμενο καψίματος του υλικού της βάσης

Για περισσότερες πληροφορίες, ζητήστε το φυλλάδιο της HPS από τον προμηθευτή σας



Κανονικό παλμικό Mig Pulsé NORMAL

Η μετακίνηση μετάλλου στο τόξο πραγματοποιείται μέσω της αποκόλλησης σταγονιδίων, η οποία προκαλείται από παλμούς ρεύματος. Ο μικροεπεξεργαστής υπολογίζει όλες τις παραμέτρους του παλμικού MIG για κάθε ταχύτητα σύρματος, με σκοπό τη διασφάλιση της εξαιρετικής ποιότητας του αποτελέσματος συγκόλλησης.

Τα πλεονεκτήματα της λειτουργίας παλμικού Mig είναι:

- + Λιγότερες παραμορφώσεις σε υψηλές εντάσεις ρεύματος συγκόλλησης στα πεδία τιμών της συνηθισμένης "σφαιροειδούς" συγκόλλησης και συγκόλλησης τόξου ψεκασμού
- + Δυνατότητα συγκόλλησης από όλες τις θέσεις
- + Εξαιρετική σύντηξη των συρμάτων από ανοξείδωτο χάλυβα και αλουμίνιο
- + Σχεδόν πλήρης εξάλειψη του πιτσιλίσματος και, συνεπώς, της ανάγκης φινιρίσματος
- + Καλή εμφάνιση του κορδονιού συγκόλλησης
- + Μείωση εκπομπών καπνού σε σύγκριση με τις συνηθισμένες λειτουργίες, ακόμη και τη μέθοδο βραχείου τόξου υψηλής ταχύτητας (έως και 50% μικρότερη)

Τα παλμικά προγράμματα του **DIGIPULS III 420-520** για ανοξείδωτο χάλυβα εξαιείφουν τα μικρά πιτσιλίσματα που μπορούν να εμφανιστούν σε λεπτά ελάσματα, όταν χρησιμοποιούνται πολύ μικρές ταχύτητες τροφοδότησης του σύρματος. Αυτά τα "σφαιρίδια" προκαλούνται από τον ψεκασμό μετάλλου κατά τη στιγμή της αποκόλλησης του σταγονιδίου. Το εύρος αυτού του φαινομένου εξαρτάται από τον τύπο και την προέλευση των συρμάτων.

Τα προγράμματα αυτά για ανοξείδωτο χάλυβα έχουν βελτιωθεί ως προς τη λειτουργία τους σε χαμηλές εντάσεις ρεύματος και την αύξηση της ευελιξίας χρήσης σε συγκολλήσεις λεπτών ελασμάτων χρησιμοποιώντας τη μέθοδο παλμικού MIG.

Τα άριστα αποτελέσματα συγκόλλησης σε λεπτά ελάσματα ανοξείδωτου χάλυβα (1 mm) επιτυγχάνονται χρησιμοποιώντας τη μέθοδο παλμικού MIG με σύρμα Ø 1 mm σε θωράκιση M20 ή M11 (μια μέση τιμή 30A είναι αποδεκτή).

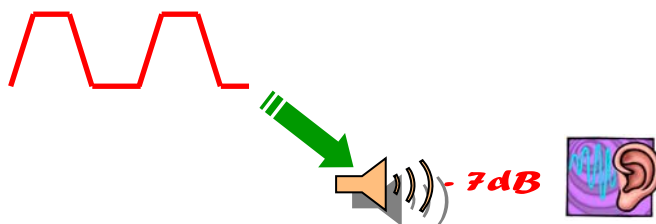
Η ποιότητα της εμφάνισης των αρμών που υποβάλλονται σε επεξεργασία με το **DIGIPULS III 420-520** είναι συγκρίσιμη με αυτή που επιτυγχάνεται με τη συγκόλληση TIG.



Le Mig Pulse bas bruit 'H Απαλή Παλμική Σιωπή (SSP)

Προτείνεται για τις \varnothing 1 και 1,2mm σε χάλυβα ή ανοξείδωτο, οι καινούργιες αυτές συνεργίες παλμικής λειτουργίας επιτρέπουν:

- + μια σημαντική μείωση του θορύβου τόξου
- + τόξο πιο απαλό, με περισσότερη ενέργεια και μεγαλύτερη απόσβεση
- + λουτρό πιο ζεστό και επομένως κορδόνι καλύτερα διαποτισμένο



σημείωση: η παλμική λειτουργία χαμηλού θορύβου επιτρέπει τη συγκόλληση σε πιο ευχάριστο περιβάλλον. Διοχετεύει περισσότερη ενέργεια στο λουτρό και μπορεί έτσι πολύ εύκολα να χρησιμοποιηθεί σε επίπεδη θέση αλλά είναι λιγότερη εύχρηστη για επί τόπου συγκόλληση.

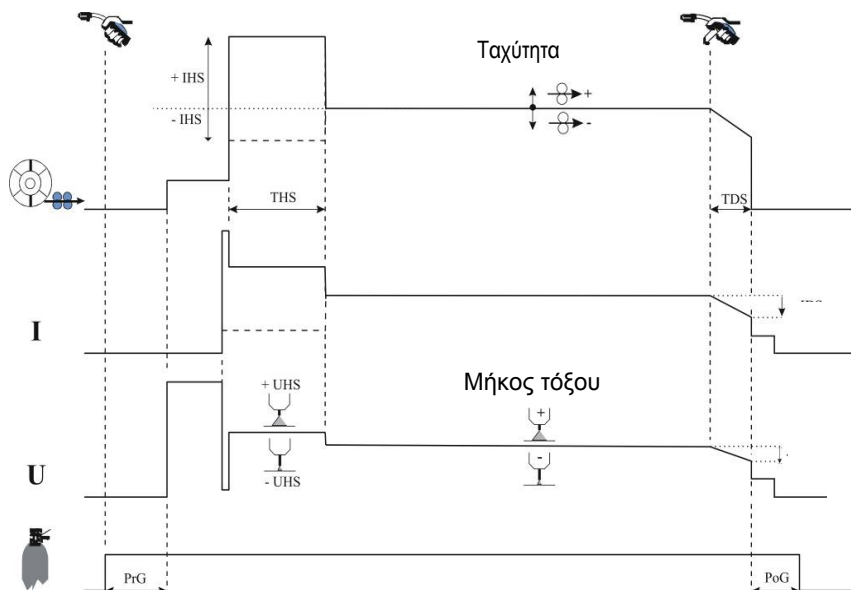
7.2. ΠΡΟΗΓΜΕΝΟΣ ΚΥΚΛΟΣ ΣΥΓΚΟΛΛΗΣΗΣ

Κύκλος 2 βημάτων

Πατώντας τη σκανδάλη, ενεργοποιείται η τροφοδότηση του σύρματος, το "pre-gas" και το ρεύμα συγκόλλησης. Αφήνοντας τη σκανδάλη, σταματά η συγκόλληση.

Ο κύκλος θερμής έναρξης επικυρώνεται με την παράμετρο **tHS=OFF** στο υπομενού γενικού κύκλου του SETUP (Ρύθμιση). Ενεργοποιεί την έναρξη της συγκόλλησης με αιχμή ρεύματος που διευκολύνει την κρούση.

Η σταδιακή μείωση του ρεύματος καθιστά εφικτό το φινίρισμα του κορδονιού συγκόλλησης με μειωμένη ένταση συγκόλλησης.



Κύκλος 4 βημάτων

Τραβώντας τη σκανδάλη την πρώτη φορά, ενεργοποιείται το "pre-gas", ο οποίος ακολουθείται από τη θερμή εκκίνηση. Αφήνοντας τη σκανδάλη, ξεκινά η συγκόλληση.

Εάν η θερμή έναρξη δεν είναι ενεργή, η συγκόλληση θα ξεκινήσει αμέσως μετά το "pre-gas". Σε αυτή την περίπτωση, η απελευθέρωση της σκανδάλης (2^ο βήμα) δεν θα έχει καμία επίδραση και ο κύκλος συγκόλλησης θα συνεχιστεί.

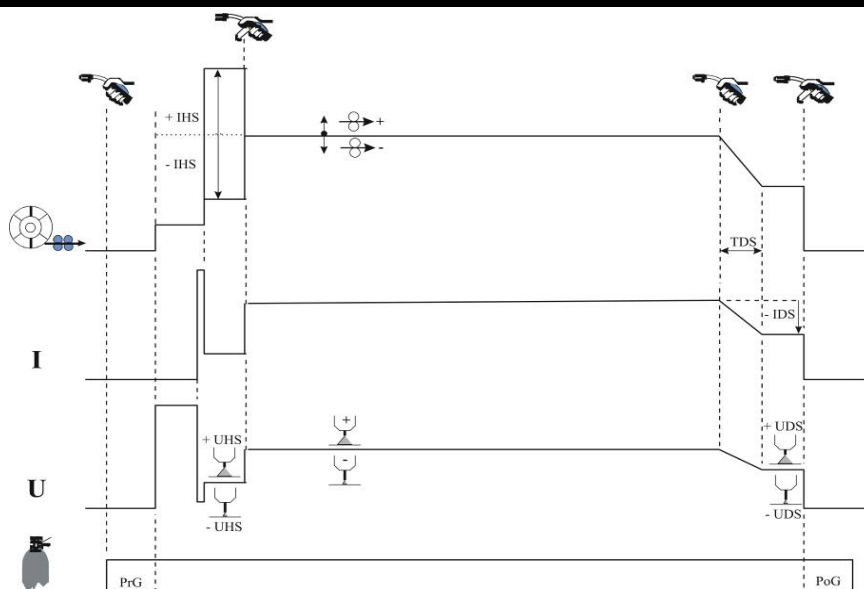
Πατώντας τη σκανδάλη στη φάση συγκόλλησης (3ο βήμα), ενεργοποιείται ο έλεγχος της διάρκειας των λειτουργιών σταδιακής μείωσης του ρεύματος και εξάλειψης δημιουργίας κρατήρων, σύμφωνα με την εκ των προτέρων προγραμματισμένη χρονοκαθυστέρηση.

Εάν δεν υπάρχει σταδιακή μείωση του ρεύματος, η απελευθέρωση της σκανδάλης οδηγεί σε άμεση μετάβαση σε post-gas (όπως έχει προγραμματιστεί στο Setup).

Στη λειτουργία 4 βημάτων (4T), αφήνοντας τη σκανδάλη σταματά η λειτουργία εξάλειψης δημιουργίας κρατήρων εάν η σταδιακή μείωση ρεύματος είναι ενεργοποιημένη (ENABLED).

Εάν η σταδιακή μείωση ρεύματος είναι απενεργοποιημένη (DISABLED), η απελευθέρωση της σκανδάλης σταματά το "POST-GAS".

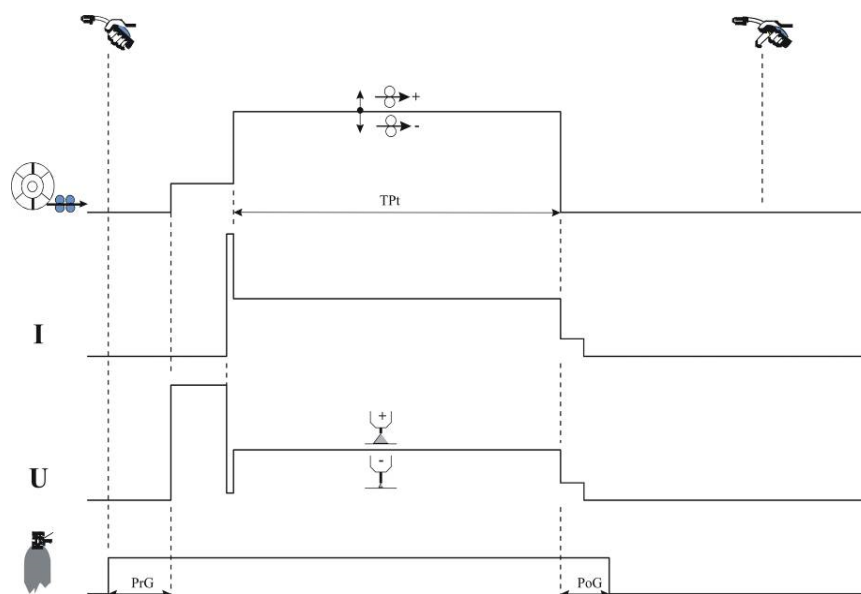
Οι λειτουργίες θερμής έναρξης και σταδιακής μείωσης του ρεύματος δεν είναι διαθέσιμες στη χειροκίνητη λειτουργία



Κύκλος κατά σημεία

Πατώντας τη σκανδάλη, ενεργοποιείται η τροφοδότηση του σύρματος, το "pre-gas" και το ρεύμα συγκόλλησης. Αφήνοντας τη σκανδάλη, σταματά η συγκόλληση.

Η ρύθμιση της θερμής έναρξης, της σταδιακής μείωσης ρεύματος και του ελέγχου διαδοχής είναι απενεργοποιημένη. Στο τέλος της χρονοκαθυστερήσης κατά σημεία, η συγκόλληση σταματά.



Κύκλος ελέγχου διαδοχής

Ο έλεγχος διαδοχής επικυρώνεται από την παράμετρο « **tSE ≠ OFF** » στο υπομενού του συγκεκριμένου κύκλου στο SETUP.

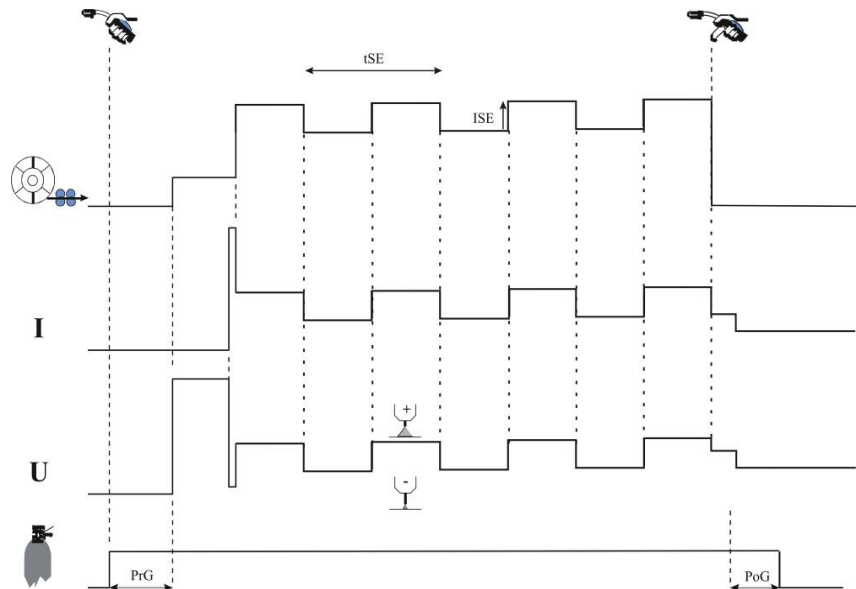
Για να μεταβείτε σε αυτό:

Η παράμετρος « tSE » εμφανίζεται στο μενού « CYCLE ». Ορίστε αυτή την παράμετρο σε μια τιμή από 0 έως 9,9 s

tSE : διάρκεια των 2 οροπεδιών εάν ≠ OFF

ISE : ρεύμα 2ου επιπέδου ως % του 1ου επιπέδου

Διαθέσιμο μόνο στη συνεργική λειτουργία, τον κύκλο 2T ή τον κύκλο 4T



Ρύθμιση ακριβείας (η παράμετρος ρυθμίζεται στο μενού « rFP»):

Στην παλμική συγκόλληση, η λειτουργία ρύθμισης ακριβείας ενεργοποιεί τη βελτιστοποίηση της θέσης αποκόλλησης του σταγονιδίου ανάλογα με τις διακυμάνσεις στη σύνθεση των συρμάτων και των αερίων συγκόλλησης που χρησιμοποιούνται.

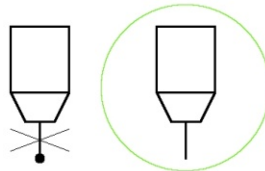
Όταν παρατηρούνται στο τόξο μικρές πιτσιλιές που μπορούν να προσκολληθούν στο τεμάχιο εργασίας, η λειτουργία ρύθμισης ακριβείας πρέπει να τροποποιείται προς τις αρνητικές τιμές.

Εάν το τόξο μεταφέρει μεγάλα σταγονίδια, η λειτουργία ρύθμισης ακριβείας πρέπει να τροποποιείται προς τις θετικές τιμές.

Ψεκασμός PR ή ακόνισμα σύρματος

Το τέλος των κύκλων συγκόλλησης μπορεί να τροποποιηθεί για την αποτροπή του σχηματισμού ενός σφαιριδίου στην απόληξη του σύρματος. Αυτή η λειτουργία σύρματος παράγει σχεδόν

ιδανική επανάληψη. Η επιλεγμένη λύση αποτελείται από την εισαγωγή μιας αιχμής ρεύματος στο τέλος του κύκλου, η οποία κάνει αιχμηρή την απόληξη του σύρματος.



Σημείωση: Αυτή η αιχμή ρεύματος στο τέλος του κύκλου δεν είναι πάντα επιθυμητή. Για παράδειγμα, κατά τη συγκόλληση λεπτού μεταλλικού ελάσματος, ο μηχανισμός αυτός μπορεί να προκαλέσει τον σχηματισμό κρατήρα.

7.3. ΛΙΣΤΑ ΣΥΝΕΡΓΕΙΩΝ

SHORT ARC (SA)						
	0.6 mm	0.8 mm	1 mm	1.2 mm	1.4 mm	1.6 mm
Fe SG 1/2	M21	M21	M21	M21	/	M21
	M14	M14	M14	M14	/	M14
	M20	M20	M20	M20	/	M20
	/	I1	I1	I1	/	I1
CrNi	/	M11	M11	M11	/	M11
	/	M12	M12	M12	/	M12
	/	M12	M12	M12	/	M12
AlSi	/	/	C1	C1	/	C1
Al	/	/	/	C1	/	C1
AlMg 3.5	/	/	C1	C1	/	C1
AlMg 5	/	/	C1	C1	/	C1
Cu Si	/	C1	C1	C1	/	/
Cu Al	/	/	C1	C1	/	/
SD Zn	/	/	M21	M21	/	/
RCW : SD 100	/	/	M21	M21	/	M21
	/	/	I1	I1		I1
MCW : SD 200	/		M21	M21	M21	M21
BCW : SD 400	/	/	/	M21	/	M21
	/	/	/	I1	/	I1
SPEED SHORT ARC (SSA)						
	0.6 mm	0.8 mm	1 mm	1.2 mm	1.4 mm	1.6 mm
Fe SG 1/2	M21	M21	M21	M21	/	M21
	M14	M14	M14	M14	/	M14
	M20	M20	M20	M20	/	M20
CrNi	/	M12	M12	M12	/	M12
	/	M12	M12	M12	/	M12
	/	M11	M11	M11	/	M11
MCW : SD 200	/	/	/	M21	/	/
HPS						
	0.6 mm	0.8 mm	1 mm	1.2 mm	1.4 mm	1.6 mm
Fe SG 1/2	/	/	M21	M21		/
	/	/	M20	M20		/
MCW : SD 200	/	/	/	M21	M21	/
	/	/	/	M20	M20	/
	/	/	/	M14	M14	/
PULS						
	0.6 mm	0.8 mm	1 mm	1.2 mm	1.4 mm	1.6 mm
Fe SG 1/2	/	M21	M21	M21	/	M21
	/	M14	M14	M14	/	M14
	/	M20	M20	M20	/	M20
CrNi	/	M11	M11	M11	/	M11
	/	M12	M12	M12	/	M12
	/	M12	M12	M12	/	M12
AlSi	/	/	C1	C1	/	C1
Al	/	/		C1	/	C1
AlMg 3.5	/	/	C1	C1	/	C1
AlMg 5	/	/	C1	C1	/	C1
Cu Si	/	/	C1	C1	/	/
Cu Al	/	/	C1	C1	/	/
MCW : SD 200	/	/	/	M21	/	M21
BCW : SD 400	/	/	/	M21	/	/

LOW NOISE PULS						
	0.6 mm	0.8 mm	1 mm	1.2 mm	1.4 mm	1.6 mm
Fe SG 1/2	/	/	M21	M21	/	/
	/	/	M14	M14	/	/
	/	/	M20	M20	/	/
CrNi	/	/	M12	M12	/	M12
	/	/	M12	M12	/	M12
	/	/	M11	M11	/	M11

NO ΣΗΜΕΙΩΣΗ: Για τις υπόλοιπες συνέργειες, επικοινωνήστε με την εταιρεία μας

GAZ TABLE	
Description	Old gaz reference
Ar82/CO ₂ 18	M21
Ar92/CO ₂ 8	M20
Ar/CO ₂ /O ₂	M14
CO ₂	I1
Ar/CO ₂ /H ₂	M11
Ar98/CO ₂ 2	M12
Ar/He/CO ₂	M12
Ar	C1

WIRES TABLE		
Description	Désignation	Reference
Fe SG ½	Steel solid wire	NERTALIC G2 FILCORD FILCORD C FILCORD D FILCORD E STARMAG
Cu Si	Copper Silicium solid wire	
Cu Al	Copper Aluminum solid wire	FILCORD 46
Al Mg 5	Aluminum solid wire	FILALU Al Mg 5
Al Mg 3.5		FILALU Al Mg 3
Al Si		FILALU Al Si 5
Al		FILALU 99.5 Ti
Cr Ni	Stainless steel solid wire	FILINOX 307 FILINOX 308 Lsi FILINOX 309 Lsi FILINOX 316 Lsi
Sd Zn	Galvanised solid wire	FILCORD Zn
BCW	Basic cored wire	SAFDUAL STEELCORED INOXCORED
MCW	Metallized powder cored wire	
RCW	Rutile cored wire	



SAF-FRO

DIGISTEEL III 420/520

DIGIPULS III 420/520



RU

ПРАВИЛА ТЕХНИКИ БЕЗОПАСНОСТИ ДЛЯ ЭКСПЛУАТАЦИИ И ТЕХНИЧЕСКОГО ОБСЛУЖИВАНИЯ

Cat n° : 8695-1251
Rev : D
Date : 02/2018



Contact : www.saf-fro.com



RU Дуговая сварка и плазменная резка могут представлять опасность для оператора и лиц, находящихся вблизи рабочего участка. Ознакомьтесь с руководством по эксплуатации.

1 - ОБЩАЯ ИНФОРМАЦИЯ.....	4
1.1. ПРЕДСТАВЛЕНИЕ УСТАНОВКИ	4
1.2. КОМПОНЕНТЫ СВАРОЧНОЙ УСТАНОВКИ	4
1.3. ТЕХНИЧЕСКИЕ СПЕЦИФИКАЦИИ ИСТОЧНИКОВ ПИТАНИЯ.....	5
2 - ПУСК	6
2.1. ПОДКЛЮЧЕНИЕ К ЭЛЕКТРИЧЕСКОЙ СЕТИ	6
2.2. ПОДКЛЮЧЕНИЕ МЕХАНИЗМА ПОДАЧИ ПРОВОЛОКИ	6
2.3. ИЗНОСНЫЕ ЧАСТИ НАПРАВЛЯЮЩЕЙ ПРОВОЛОКИ.....	6
2.4. ПОДКЛЮЧЕНИЕ ГОРЕЛКИ И ОХЛАЖДАЮЩЕГО УСТРОЙСТВА	7
2.5. ПОДКЛЮЧЕНИЕ ВПУСКА ГАЗА	7
2.6. ВКЛЮЧЕНИЕ	7
3 - ИНСТРУКЦИИ ПО ЭКСПЛУАТАЦИИ.....	8
3.1. ФУНКЦИИ ЛИЦЕВОЙ ПАНЕЛИ.....	8
3.2. КАЛИБРОВКА ИСТОЧНИКА ПИТАНИЯ	9
3.3. ДИСПЛЕЙ И ИСПОЛЬЗОВАНИЕ	9
4 - ОПЦИИ, ПРИНАДЛЕЖНОСТИ	13
5 - ЖГУТЫ ЕТ ГОРЕЛКА.....	15
5.1. ЖГУТЫ	15
5.2. ГОРЕЛКА.....	15
5.3. ПУЛЬНЫЕ (ДВУХТАКТНЫЕ) ГОРЕЛКИ	15
5.4. ГОРЕЛКА С ПОТЕНЦИОМЕТРОМ	15
6 - ТЕХНИЧЕСКОЕ ОБСЛУЖИВАНИЕ	16
6.1. ОБЩЕЕ.....	16
6.2. РОЛИКИ И НАПРАВЛЯЮЩАЯ ПРОВОЛОКИ.....	16
6.3. ГОРЕЛКА.....	16
6.4. ЗАПАСНЫЕ ЧАСТИ, КОМПОНЕТЫ	17
6.5. ПРОЦЕДУРА УСТАРЕНЕНИЯ НЕИСПРАВНОСТЕЙ	21
6.6. ЭЛЕКТРИЧЕСКАЯ СХЕМА.....	23
7 - ПРИЛОЖЕНИЯ	26
7.1. ПРЕДСТАВЛЕНИЕ ПРОЦЕССОВ СВАРКИ	26
7.2. УЛУЧШЕННЫЙ ЦИКЛ СВАКРИ	28
7.3. СПИСОК СИНЕРГИИ.....	31

1 - ОБЩАЯ ИНФОРМАЦИЯ

1.1. ПРЕДСТАВЛЕНИЕ УСТАНОВКИ

DIGISTEEL III 420-520 / DIGIPULS III 420-520 это установка для ручной сварки, которая позволяет:

- + производить сварку порошковыми проволоками (MIG-MAG), с короткой дугой, скоростной короткой дугой et HPS, дуговой сваркой со струйным переносом металла, в нормальном импульсном режиме I et pulsé bas bruit (seulement sur le DIGIPULS), при токе от 15А до 320А.ou de 15A à 520A.
 - + Использовать различные типы проволок:
 - ⇒ Стальную, из нержавеющей стали, алюминиевую и специальные проволоки
 - ⇒ сплошные провода и с наполнителем
 - ⇒ диаметром от 0.6-0.8-1.0-1.2-1.4-1.6mm
 - + Выполнять сварку покрытыми электродами
 - + Процесс вырезки пазов (необходим комплект KIT W000010999
 - + Пайка твердым припоем, проволока MIG с CUPRO алюминий или CUPRO кремний
- παράβλεται ως ετοίμο-προς-χρήση πακέτο σε συνδυασμό με τους τροφοδότες σιρματός DVU P400 ή DVU P500

1.2. КОМПОНЕНТЫ СВАРОЧНОЙ УСТАНОВКИ

Сварочная установка состоит из 5 основных компонентов:

- 1 - Источник питания, включая первичный кабель (5м) и заземляющая шина (5м)
- 2 - Охлаждающее устройство (опция)
- 3 - Механизм подачи проволоки
- 4 - Жгут с разъемами с обеих сторон для соединения механизма подачи проволоки и источника питания,
- 5 - Универсальная тележка (опция),

Каждый компонент заказывается и поставляется отдельно.

Опции, заказанные вместе со сварочной установкой, поставляются отдельно. Для установки данных опций пользуйтесь инструкцией, предоставляемой вместе с опцией.



ОСТОРОЖНО :

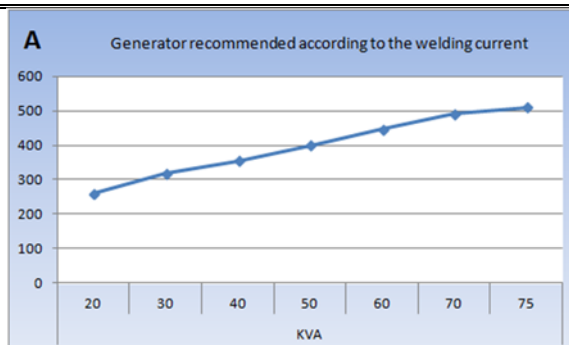
Пластиковые ручки не предназначены для строповки установки. Устойчивость оборудования гарантируется только при максимальном угле в 10°.

1.3. ТЕХНИЧЕСКИЕ СПЕЦИФИКАЦИИ ИСТОЧНИКОВ ПИТАНИЯ

	DIGISTEEL III 420 W000383615	DIGISTEEL III 520 W000383617	DIGIPULS III 420 W000383661	DIGIPULS III 520 W000383662
Сторона первичного контура				
Первичный источник питания	400 V	400 V	400 V	400 V
Частота первичного источника питания	50/60Hz	50/60Hz	50/60Hz	50/60Hz
Эффективное потребление первичного контура	18,5 A	28,5 A	21,1 A	28,5 A
Максимальное потребление первичного контура	26 A	33,9 A	27,1 A	33,9 A
Первичный предохранитель	25 A Gg	32 A Gg	25 A Gg	32 A Gg
Максимальная полная мощность	18 KVA	23,8 KVA	18,9 KVA	23,8 KVA
Максимальная активная мощность	17,2 KW	22,4 KW	17,7 KW	22,4 KW
Активная мощность в режиме ожидания (ХОЛОСТОЙ РЕЖИМ)	28 W	29 W	29 W	29 W
Эффективность при максимальном токе (MIG)	87	89	87	89
Коэффициент мощности при максимальном токе(MIG)	0,96	0,94	0,93	0,94
Коэффициент мощности	0,99	0,99	0,99	0,99
Сторона вторичного контура				
Напряжение холостого хода (по стандарту)en MIG	57 V	73 V	73 V	73 V
Пределы регулирования сварочного тока Максимум при дуговой сварке плавящимся электродом (MIG)	14,8V / 35 V 15A / 420A	14,8V / 39 V 15A / 500A	14,8V / 35 V 15A / 420A	14,8V / 39 V 15A / 500A
Пределы регулирования сварочного тока Максимум при ручной дуговой сварке плавящимся электродом (MMA)	15A / 420A	15A / 500A	15A / 420A	15A / 500A
Рабочий цикл при 100% en MIG (10 мин. цикл при 40°C)	350A	450A	350A	450A
Рабочий цикл при à 60% en MIG (6 10 мин. цикл при 40°C)	380A	500A	420A	500A
Рабочий цикл на максимальном токе при 40°C en MIG	40%	60%	60%	60%
Прочее				
Габариты (ДхШхВ)	720 x 295 x 525	720 x 295 x 525	720 x 295 x 525	720 x 295 x 525
Вес	34 kg	40 kg	36 kg	40 kg
Рабочая температура	-10° C / +40° C	-10° C / +40° C	-10° C / +40° C	-10° C / +40° C
Температура хранения	-20° C / +55° C	-20° C / +55° C	-20° C / +55° C	-20° C / +55° C
Подключение горелки	"Européen"	"Européen"	"Européen"	"Européen"
Класс защиты	IP 23	IP 23	IP 23	IP 23
Класс изоляции	H	H	H	H
Стандарт	60974-1 & 60974-10	60974-1 & 60974-10	60974-1 & 60974-10	60974-1 & 60974-10



ОСТОРОЖНО: Данный источник питания нельзя использовать под снегом или дождем. Возможно хранение установки на улице, но она не рассчитана на эксплуатацию под дождем без защиты.



2 - ПУСК

2.1. ПОДКЛЮЧЕНИЕ К ЭЛЕКТРИЧЕСКОЙ СЕТИ

Le DIGISTEEL III 420-520 / DIGIPULS III 420-520 это сварочная установка, мощностью 400 В с 3-фазами.

Если ваше электропитание соответствует требованиям, подсоедините штекер «три фазы + заземление» к концу силового кабеля.



ОСТОРОЖНО: Если сопротивление сети низкого потребления в точке общего подключения составляет менее:

98,2 mΩ pour le DIGISTEEL III 420

28 mΩ pour le DIGIPULS III 420

20.6 mΩ pour le DIGISTEEL III 520 et DIGIPULS III 520.

данное оборудование соответствует директивам IEC 61000-3-11 и IEC 61000-3-12 и может быть подключено к низковольтным сетям общего пользования. Установщик или пользователь оборудования несут ответственность за обеспечение соответствия сопротивления сети ограничениям по сопротивлению, при необходимости проконсультировавшись с оператором распределительной сети..



ОСТОРОЖНО: Данное оборудование класса А не рассчитано для использования в жилых районах, в которых электроэнергия подается по низковольтной сети общего пользования. В таких местах могут возникнуть трудности с обеспечением электромагнитной совместимости в связи с кондуктивными или излучаемыми помехами

2.2. ПОДКЛЮЧЕНИЕ МЕХАНИЗМА ПОДАЧИ ПРОВОЛОКИ



ПРЕДУПРЕЖДЕНИЕ:

Данную операцию следует производить при ОТКЛЮЧЕННОМ генераторе.

Кабельный пакет подключите к устойчиву подачи проволоки, причем используйте соответствующие расположения соединителя.

Подсоедините другой конец жгута к генератору.

Подсоедините горелку для MIG сварки к механизму подачи проволоки.

2.3. ИЗНОСНЫЕ ЧАСТИ НАПРАВЛЯЮЩЕЙ ПРОВОЛОКИ

		ВВОДНАЯ НАПРАВЛЯЮЩАЯ ПРОВОЛОКИ	АДАПТЕР	РОЛИК	ПРОМЕЖУТОЧНАЯ НАПРАВЛЯЮЩАЯ ПРОВОЛОКИ	ВЫПУСКНАЯ НАПРАВЛЯЮЩАЯ ПРОВОЛОКИ	
СТАЛЬ Нержавеющая СТАЛЬ	0,6 / 0,8	Plastic W000277333	W000277338	W000305125	W000277334	W000277335	
	0,9 / 1,2			W000277008			
	1,0 / 1,2			W000267599		W000277335	W000277336
	1,2 / 1,6			W000305126		W000277336	
	1,4 / 1,6			W000277009			
	ФЛЮС- ПРОВОЛОКА С НАПОЛНИТЕЛЕМ			0,9 / 1,2		W000277333	W000277338
1,2 / 1,6		W000266330	W000277335	W000277336			
1,4 / 1,6		W000277011	W000277336				
ЛЕГКИЕ СПЛАВЫ	1,0 / 1,2	ALUKIT W000277622					
	1,2 / 1,6	ALUKIT W000277623					

Возможно использование стальных роликов ALU со стальной проволокой и проволокой с покрытием.

Установочный ролик

Для установки роликов на платформу требуется адаптер – ссылка W000277338.

2.4. ПОДКЛЮЧЕНИЕ ГОРЕЛКИ И ОХЛАЖДАЮЩЕГО УСТРОЙСТВА

Горелка для дуговой сварки плавящимся электродом (MIG) подключается к передней части механизма подачи проволоки после того, как Вы убедитесь, что механизм подачи проволоки оснащен износными частями, соответствующими используемой сварочной проволоке. смотрите инструкции к горелке



ПРЕДУПРЕЖДЕНИЕ

Эксплуатация Охлаждающего устройства на холостом ходу неподключенного к горелке может привести к его поломке.

2.5. ПОДКЛЮЧЕНИЕ ВПУСКА ГАЗА

Выпуск газа расположен на задней части источника питания. Просто подключите его к выпуску регулятора давления на газовом баллоне.

- + Установите газовый баллон на тележку с задней стороны источника питания и закрепите ремнями.
- + Постепенно открывайте клапан баллона и выпустите примеси, затем закройте его.
- + Установите регулятор давления/расходомер.
- + Откройте газовый баллон.

Во время сварки, скорость подачи газа должна составлять 10 – 20 л/мин.



ПРЕДУПРЕЖДЕНИЕ :

Убедитесь, чтобы газовый баллон был надлежащим образом закреплен к тележке при помощи предохранительного ремня.

2.6. ВКЛЮЧЕНИЕ

1

Главный переключатель расположен на задней части источника питания. Чтобы включить машину - поверните переключатель.

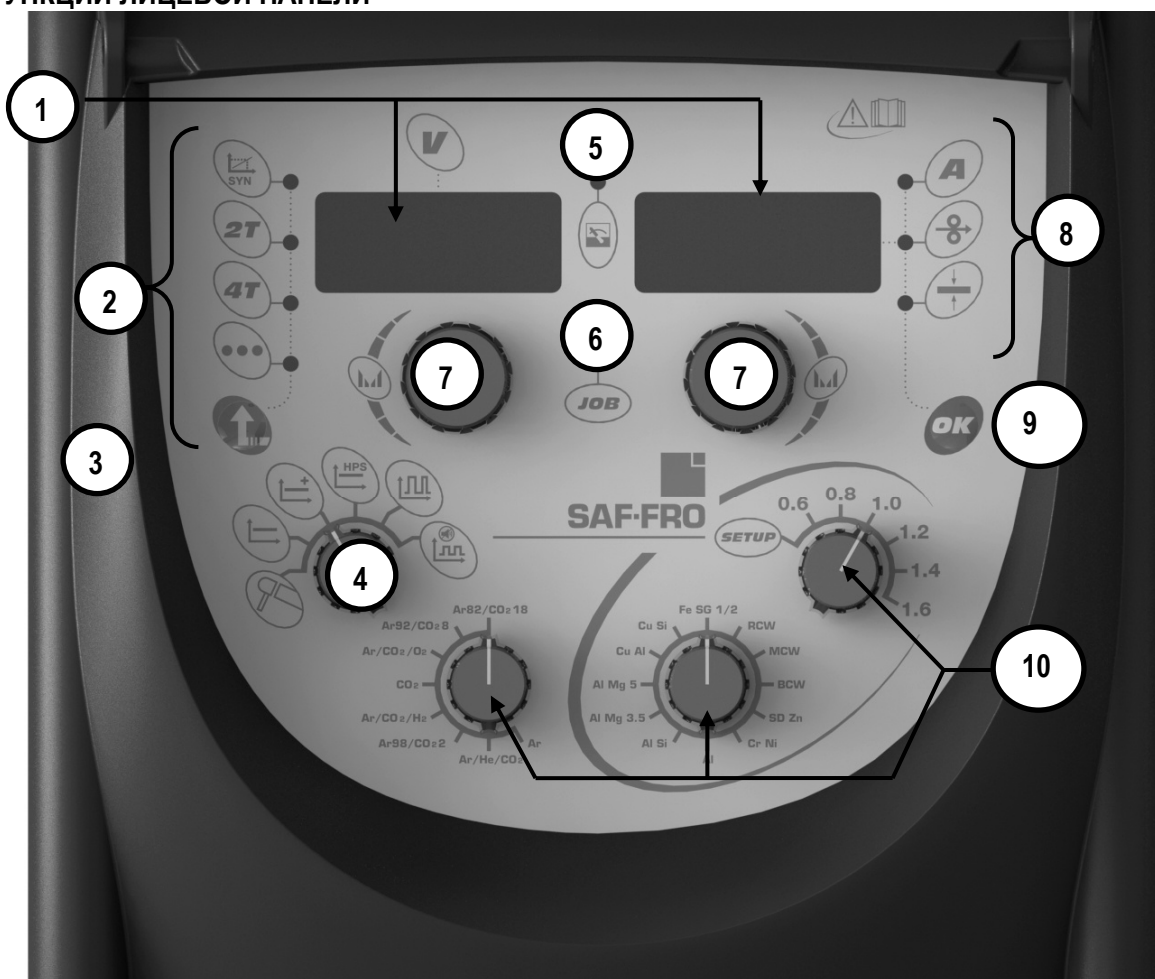


Примечание: Данный переключатель нельзя поворачивать во время сварки.

При каждом пуске на источнике питания отображается версия программного обеспечения и распознанное напряжение

3 - ИНСТРУКЦИИ ПО ЭКСПЛУАТАЦИИ

3.1. ФУНКЦИИ ЛИЦЕВОЙ ПАНЕЛИ



- | | |
|--|-----------|
| Левый дисплей: Напряжение, Правый дисплей: Ток/ скорость подачи проволоки /толщина проволоки | 1 |
| Дисплей для отображения режима сварки | 2 |
| Селекторная кнопка для режима сварки/Кнопка отмены в программном режиме | 3 |
| Селекторные переключатели для процесса сварки | 4 |
| Индикатор измерения отображаемых значений (данные до сварки, сварки и после сварки) | 5 |
| Светодиодный индикатор для программного режима | 6 |
| Установка напряжения кодировщика и навигация | 7 |
| Индикатор тока в экранном режиме, скорость подачи проволоки, толщина металлического листа | 8 |
| Селекторная кнопка для предварительного отображения и управления программой | 9 |
| Селекторный переключатель для типа газа, диаметра проволоки и типа сварочной проволоки | 10 |

3.2. КАЛИБРОВКА ИСТОЧНИКА ПИТАНИЯ



ПРЕДУПРЕЖДЕНИЕ :

при первом пуске калибровка – неизбежный шаг, необходимый для достижения качественной сварки. при смене полярности, данный шаг необходимо повторить

Шаг 1: Поверните переключатель диаметра проволоки в положение УСТАНОВКА (SETUP) и нажмите кнопку ОК для перехода на экран установки **COнFIG**.

Шаг 2: Выберите параметр Калибровка (**CaL**) левым кодировщиком и выберите Вкл. (**On**) правым кодировщиком.

Шаг 3: Нажмите кнопку ОК на лицевой панели. Дисплей будет отображать Спусковой крючок (**triGEr**).

Шаг 4: Снимите сопло горелки.

Шаг 5: Срежьте проволоку.

Шаг 6: Поместите кусок проволоки в контакте с мундштуком.

Шаг 7: Нажмите на спусковой крючок.

Шаг 8: На дисплее отобразится значение L (индуктивность кабеля).

Шаг 9: При помощи правого кодировщика выберите значение R (сопротивление кабеля).

Шаг 10: Выйдите из установки.

3.3. ДИСПЛЕЙ И ИСПОЛЬЗОВАНИЕ

3.3.1. Синергический режим

Значения тока, напряжения и толщины, перечисленные для установки каждой скорости подачи проволоки, представлены только в ознакомительных целях. Они соответствуют измерениям при данных рабочих условиях, таких как положение, длина концевой секции (сварка в нижнем положении, сварка встык).

Единицы тока/напряжения, отображаемые на дисплее соответствуют средним измеренным значениям и могут отличаться от теоретических значений.

Светодиодный индикатор для программного режима:

- ⇒ Выкл. (OFF): отображение инструкций до сварки.
- ⇒ Вкл. (ON): отображение измерений (средние значения).
- ⇒ Мигание (Flashing): Измерения во время сварки.

Выбор проволоки, диаметра, газа, процесса сварки

Выберите тип, диаметр проволоки, используемый для сварки газ и сварочный процесс, поворачивая соответствующий переключатель.

Выбор материала определит доступные значения диаметра, газа и процессов.

Если синергии нет, на источник питания отобразится nOt SYn, GAS SYn, DIA SYn Or PrO SYn.

Выбор режима сварки, длины дуги и дисплея до сварки

Выберите режим сварки 2T, 4T, точечный (spot), синергический (synergic) и ручной (manual) при помощи возврата кнопкой (3). Длину дуги можно отрегулировать при помощи левого кодировщика (7), а регулировка дисплея до сварки выполняется правым кодировщиком (8). Выбор предустановок до сварки выполняется нажатием кнопки ОК (10).

3.3.2. Ручной режим:

Это отключенный режим сварочного аппарата. Регулируемые параметры данного режима – это скорость подачи проволоки, напряжение дуги и точная установка .

3.3.3. Режим УСТАНОВКИ SETUP

Доступ к УСТАНОВКЕ (SETUP):

Доступ к экрану УСТАНОВКИ (SETUP) возможен когда сварка не выполняется, путем перевода селектора диаметра проволоки на лицевой панели в положение 1. Он сосостоит из двух ниспадающих меню:

ЦИКЛ ('CYCLE') → Установка фаз цикла. Подробности смотрите в параграфе 6.3.

КОНФИГУРАЦИЯ ('COнFIG') → Конфигурация источника питания.

Доступ к УСТАНОВКЕ (SETUP):

Конфигурация УСТАНОВКИ SETUP :

В положении УСТАНОВКА (SETUP) нажатием кнопки ОК выберите ЦИКЛ (CYCLE) или КОНФИГУРАЦИЮ (COнFIG).

Поворачивайте **левый** кодировщик для перелистывания доступных параметров.

Поворачивайте **правый** кодировщик для установки значений.

Пуск без сварки. Все изменения сохраняются при выходе из меню УСТАНОВКИ (SETUP).

Список доступных параметров в меню Конфигурации (COnFIG)

Левый дисплей	Правый дисплей	Шаг	По умолчанию	Описание
GrE	On -;OFF – Aut		Aut	Конфигурация водяного охлаждающего устройства. 3 возможных состояния: - Вкл. (On) : Принудительное включение, установка водяного охлаждения активирована все время - Выкл. (OFF) : Принудительное выключение, установка водяного охлаждения деактивирована все время - Авт.(Aut) : Automatic mode, Watercooler works when according need Автоматический режим, установка водяного охлаждения включается по необходимости
ScU	nc – no - OFF		OFF	Безопасность водяного охлаждения. 3 возможных состояния: - nc : Нормально закрыт, - no : Нормально открыт, - OFF : Деактивирован
Unit	US – CE		CE	Единица отображается для скорости и толщины провода: - US: дюймовый блок - CE: измерительный прибор
CPt	OFF– 0,01 – 1,00	0,01 s	0,30	Время удержания спускового крючка для вызова программы (только в режиме сварки 4T). Можно использовать только для сварочных програм от 50 до 99.
LAn	Fr,dE,En,It,ES,PO, ,nL,SU,Pt,rO,dA, nO,Fi,Sh,CS,Hu		En	Выберите язык, отображаемый только в том случае, если подключен проводник RC-JOB или P500 Испанский (ES) -Полиш (PO) - Голландский (н.Л.) - Шведский (SU) - Португальский (Pt) - Румынский (RO) - Французский (ФР) Дания (DA) - Норвежский (NO) - Финский (Фи) -Словак (SK) - Чешский (CS) - Венгерский (Ху)
PGM	Nno – yES		no	Активировать/деактивировать режим управления программой.
PGA	OFF – ;000 – 020 %	1 %	OFF	Используйте для установки доступного диапазона регулировки следующих параметров: скорость подачи проволоки, напряжение дуги, динамика дуги, точная установка импульса. Используйте только в случаях, когда управление программой активировано, а программы заблокированы.
CAL	OFF – on		OFF	Калибровка горелки и жгута заземления.
AdJ	Loc -- rC		Loc	Выберите регулировку Скорость провода и напряжение дуги: - Loc: локальный источник питания - rC: пульт дистанционного управления или потенциометр горелки
L	0 – 50	1 uH	14	Установки/дисплей кабельного дросселя
r	0 – 50	1 Ω	8	Установка/дисплей кабельного резистора
SoF	no – yES		no	Режим обновления программного обеспечения.
FAC	no – yES		no	Сброс заводских настроек. Нажатие на Да (YeS) приведет к сбросу параметров до заводских настроек по умолчанию при выходе из меню УСТАНОВКИ (SETUP).

Список доступных параметров в меню ЦИКЛ (CYCLE)

Левый дисплей	Правый дисплей	Шаг	По умолчанию	Описание
tPt	00.5 – 10.0	0,1 s	0,5	Время точечного режима. В точечном режиме и в ручном режиме, установки горячего пуска, время уменьшения и устройства последовательности не могут быть изменены.
PrG	00.0 – 10.0	0,1 s	0,5	Время пред-газ
tHS	OFF – 00.1 – 10.0	0,1 s	0,1	Время горячего пуска
IHS	-- 70 – 70	1 %	30	Ток горячего пуска (скорость подачи проволоки). X% ± сварочный ток
UHS	-- 70 – 70	1 %	0	Напряжение горячего пуска X% ± напряжение дуги
dYn	--10 + 10 --20 – 20	1 %	0	Точная установка при короткой дуге
rFP	--10 + 10 --20 + 20	1 %	0	Точная установка при импульсе
dyA	00 – 100	1	50	Динамика зажигания дуги на электроде
tSE	OFF – 0.01 – 2.50	0,01 s	OFF	Время устройства последовательности (устройство последовательности, только в синергическом режиме)
ISE	--90 + 90	1 %	30	Время антизалипания
dSt	OFF – 00.1 – 05.0	0,1 s	OFF	Время уменьшения
DdSI	-- 70 – 00.0	1 %	-- 30	Нисходящий ток (скорость подачи проволоки). X% ± сварочный ток
dSU	-- 70 – 70	1 %	0	Нисходящее напряжение. X% ± напряжение дуги
Pr_	0.00 – 0.20	0,01 s	0,05	Время антизалипания
PrS	Nno – yES		no	Активация PR-спрея
PoG	00.0 – 10.0	0,05 s	0,05	Время пост-газ

ПРИМЕЧАНИЕ: DIGISTEEL III 420-520 / DIGIPULS III 420-520 позволяет блокировать меню программы. Данная функция доступна на экране программы с кодом параметра. Введенный ключ блокировки необходимо записать в целях дезактивации блокировки функции в будущем.

3.3.4. Вызов программы при помощи пускового крючка

Данная функция позволяет связать от 2 до 10 программ. Данная функция доступна только в режиме сварки 4Т и требует активации режима управления программой.

Связывание программ :

Вызов программы функции работает с программами от P50 до P99, десятками.

⇒ P50→P59 ; P60→P69 ; P70→P79 ; P80→P89 ; P90→P99

Выберите программу с которой вы хотите начать цепь. Затем, во время сварки, при каждом нажатии на пусковой крючок программа будет меняться. Для связывания менее десяти программ, в программе, следующей за концом контура, установите другой параметр (такой как синергия или цикл сварки). Имеется возможность установить время нажатия на спусковой крючок для обнаружения изменения в цепи программ: Установка (SETUP) → CPT → установить значение от 1 до 100 → выйти из Установки (SETUP).

Пример: Создайте список программ от P50 до P55 (6 программ).

- 1) В программе P56 установите другой цикл сварки или синергию, отличный от P55 для завершения цепи.
- 2) Выберите программу P50 (первая программа для начала сварки)
- 3) Начните сварку

При каждом нажатии на спусковой крючок, источник питания будет менять программу до P55. При завершении цепи, источник питания перейдет на P50

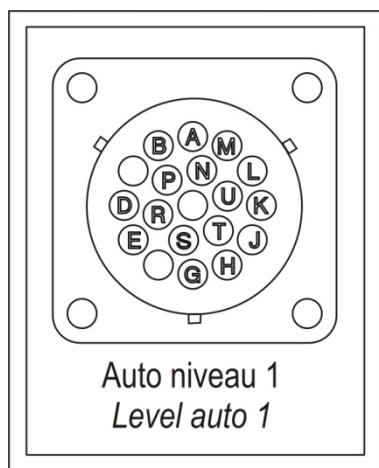
3.3.5. перевод в автоматический режим

а) DIGIPULS III очень просто переводятся в автоматический режим. Для этого достаточно включить розетку J2 на задней панели установки.

УРОВЕНЬ N1

выход контакта интенсивность г: контакт сек	K de J2
Выход контакта Интенсивность общий RI: контакт сек	L de J2
Неисправность	T de J2
Общая неисправность	L de J2
Вход гашетки (+): поместить на контакт сек	U de J2
Вход гашетки (-): поместить на контакт сек	M de J2

Pour valider la fermeture du contact RI, il faut impérativement positionner « Aut ≠Off ». Le retard à la fermeture du contact se règle par la valeur « rit » dans le sous-menu « Palier » du SETUP.



Note : Par défaut, la fonction sélectionnée est le mode manuel.

Le type d'utilisation sélectionné est visualisé par l'afficheur de droite.

SELECTION DU MODE AUTOMATIQUE AVEC PILOTAGE A DISTANCE PAR CONSIGNE ANALOGIQUE

1. Positionner le commutateur en face avant du générateur sur « **SEt -UP** ».
2. Par action sur le poussoir « OK », sélection de l'affichage « **Con FIG** ».
3. Positionner le sélecteur de gauche pour obtenir l'affichage « **Aut** » à gauche.
4. Positionner le sélecteur de droite pour obtenir l'affichage « **n1** » à droite.

4 - ОПЦИИ, ПРИНАДЛЕЖНОСТИ

4.1 - ΤΡΟΦΟΔΟΤΗΣ ΣΥΡΜΑΤΟΣ DVU P400, Ссылка. W000275266



4.2 - ΤΡΟΦΟΔΟΤΗΣ ΣΥΡΜΑΤΟΣ DVU P500, Ссылка. W000275267



4.3 - СИСТЕМА ОХЛАЖДАЮЩЕГО УСТРОЙСТВА, Ссылка.W000273516



4.4 - ПРОСТОЕ ДИСТАНЦИОННОЕ УПРАВЛЕНИЕ RC JOB, Ссылка. W000273134



4.5 - ПЫЛЕВОЙ ФИЛЬТР, Ссылка. W000275904



Функции пульта дистанционного управления:
 Регулировка скорости подачи проволоки во время и без сварки
 регулировка напряжения дуги во время сварки и без сварки

4.6 - ПЫЛЕВОЙ ФИЛЬТР, Ссылка. W000373703

4.7 - ТЕЛЕЖКА II НОВАЯ ВЕРСИЯ, Ссылка. W000383000



Позволяет с легкостью перемещать источник питания в условиях цеха.

4.8 - ТЕЛЕЖКА, ОПЦИЯ, Ссылка. W000372274

4.9 - ДОПОЛНЕНИЕ – ПРОТОЧНЫЙ СЧЕТЧИК, Ссылка. W000376539

4.10 - ПУШПУЛЬНАЯ КАРТА, Ссылка. W000275907

4.11 - OPTION DEBITLITRE, Ссылка. W000376539

5 - ЖГУТЫ ЕТ ГОРЕЛКА

5.1. ЖГУТЫ

ВОЗДУШНЫЙ жгут 2 М – 70 MM ²	réf. W000275894
ВОЗДУШНЫЙ жгут 5 М – 70 MM ²	réf. W000275895
ВОЗДУШНЫЙ жгут 10 М – 70 MM ²	réf. W000275896
ВОЗДУШНЫЙ жгут 15 М – 70 MM ²	réf. W000275897
ВОЗДУШНЫЙ жгут 25 М – 70 MM ² (sur cde)	réf. W000276901
ВОЗДУШНЫЙ жгут 30 М – 70 MM ² (sur cde)	réf. W000371246
ВОЗДУШНЫЙ жгут 40 М – 70 MM ² (sur cde)	réf. W000371245
ВОЗДУШНЫЙ жгут 50 М – 70 MM ² (sur cde)	réf. W000371244

ВОДЯНОЙ жгут 2 М – 95 MM ²	réf. W000275898
ВОДЯНОЙ жгут 5 М – 95 MM ²	réf. W000275899
ВОДЯНОЙ жгут 10 М – 95 MM ²	réf. W000275900
ВОДЯНОЙ жгут 15 М – 95 MM ²	réf. W000275901
ВОДЯНОЙ жгут 25 М – 95 MM ² (sur cde)	réf. W000276902
ВОДЯНОЙ жгут 50 М – 95 MM ²	Nous consulter

ВОДЯНОЙ жгут ALU 2 М – 95 MM ²	réf. W000371044
ВОДЯНОЙ жгут ALU 5 М – 95 MM ²	réf. W000371045
ВОДЯНОЙ жгут ALU 10 М – 95 MM ²	réf. W000371175
ВОДЯНОЙ жгут ALU 15 М – 95 MM ²	réf. W000371174
ВОДЯНОЙ жгут ALU 25 М – 95 MM ²	réf. W000371239

5.2. ГОРЕЛКА

PROMIG NG 341 - 3 M	réf. W000345066
PROMIG NG 341 - 4 M	réf. W000345067
PROMIG NG 341 - 5 M	réf. W000345068

PROMIG NG 341 W - 3 M	réf. W000345069
PROMIG NG 341 W - 4 M	réf. W000345070
PROMIG NG 341 W - 5 M	réf. W000345071

PROMIG NG 441 - 3 M	réf. W000345072
PROMIG NG 441 - 4 M	réf. W000345073
PROMIG NG 441 - 5 M	réf. W000345074

PROMIG NG 441W - 3 M	réf. W000345075
PROMIG NG 441W - 4 M	réf. W000345076
PROMIG NG 441W - 5 M	réf. W000345077

PROMIG NG 450W - 3 M	réf. W000274865
PROMIG NG 450W - 4 M	réf. W000274866
PROMIG NG 450W - 5 M	réf. W000274867

5.3. ПУЛЬНЫЕ (ДВУХТАКТНЫЕ) ГОРЕЛКИ

PROMIG PP 341 8M	réf. W000385860
PROMIG PP 441W 8M	réf. W000385862
PROMIG PP 341 8M AVEC ПОТЕНЦИОМЕТРОМ	réf. W000385861
PROMIG PP 441W 8M AVEC ПОТЕНЦИОМЕТРОМ	réf. W000385863

5.4. ГОРЕЛКА С ПОТЕНЦИОМЕТРОМ

DIGITORCH P 341 - 4M	réf. W000345014
DIGITORCH P 341W - 4M	réf. W000345016
DIGITORCH P 441W - 4M	réf. W000345018

Помимо функций стандартной горелки, данная горелка также позволяет регулировать скорость подачи проволоки и длину дуги, как во время сварки, так и без сварки

6 - ТЕХНИЧЕСКОЕ ОБСЛУЖИВАНИЕ

6.1. ОБЩЕЕ

Дважды в год, в зависимости от использования оборудования, проверяйте следующее:

- ⇒ чистоту источника питания
- ⇒ электрические и газовые соединения

ПРЕДУПРЕЖДЕНИЕ:

Никогда не выполняйте работы по чистке и ремонту внутри устройства, не убедившись, что устройство полностью отключено от электричества.

Демонтируйте панели генератора и используйте отсос для удаления пыли и частиц металла, накопившихся между магнитными контурами и обмотками трансформатора.

Во избежание повреждения изоляции обмоток, работу необходимо выполнять с использованием пластмассового наконечника.

При каждом пуске сварочной установки и до обращения в службу технической поддержки клиентов, проверьте:

- ⇒ Достаточно ли затянуты электрические клеммы.
- ⇒ Правильно ли выбрано напряжение сети.
- ⇒ Правильность тока газа.
- ⇒ Тип и диаметр проволоки. Состояние горелки.



ДВАЖДЫ В ГОД

- ⇒ Выполняйте калибровку установок тока и напряжения.
- ⇒ Проверяйте электрические соединения цепей питания, управления и подачи электричества.
- ⇒ Проверяйте состояние изоляции, кабелей, соединений и труб
- ⇒ Выполняйте чистку сжатым воздухом



6.2. РОЛИКИ И НАПРАВЛЯЮЩАЯ ПРОВОЛОКИ

При нормальных условиях эксплуатации данные принадлежности рассчитаны на длительный срок службы до замены.

Тем не менее, иногда, через какое-то время эксплуатации, возможно появление чрезмерного износа или засорения липкими отложениями.

Для минимизации таких пагубных эффектов поддерживайте плиту механизма подачи проволоки в чистоте. Двигатель с редуктором не требуют технического обслуживания

6.3. ГОРЕЛКА

Регулярно проверяйте на предмет надлежщего натяжения соединений подачи сварочного тока. Механические нагрузки, связанные с тепловыми ударами, приводят к ослаблению некоторых частей горелки, и в частности :

- ⇒ Мундштука
- ⇒ Коаксиального кабеля
- ⇒ Сварочного сопла
- ⇒ Быстрого соединителя

Проверяйте, чтобы сальник втулки впуска газа был в хорошем состоянии. Удаляйте брызги между мундштуком и соплом, а также между соплом и юбкой. Брызги легче удалять, если данную процедуру повторять в короткие промежутки времени

Не используйте жестких инструментов, которые могут поцарапать поверхность данных частей и привести к прилипанию брызг.

- ⇒ SPRAYMIG SIB, W000011093
- ⇒ SPRAYMIG H20, W000010001

Продувайте прокладку после замены каждого барабана с проволокой. Данную процедуру выполняйте со стороны разъема быстрого соединителя с горелкой. При необходимости меняйте вводную направляющую проволоки на горелке

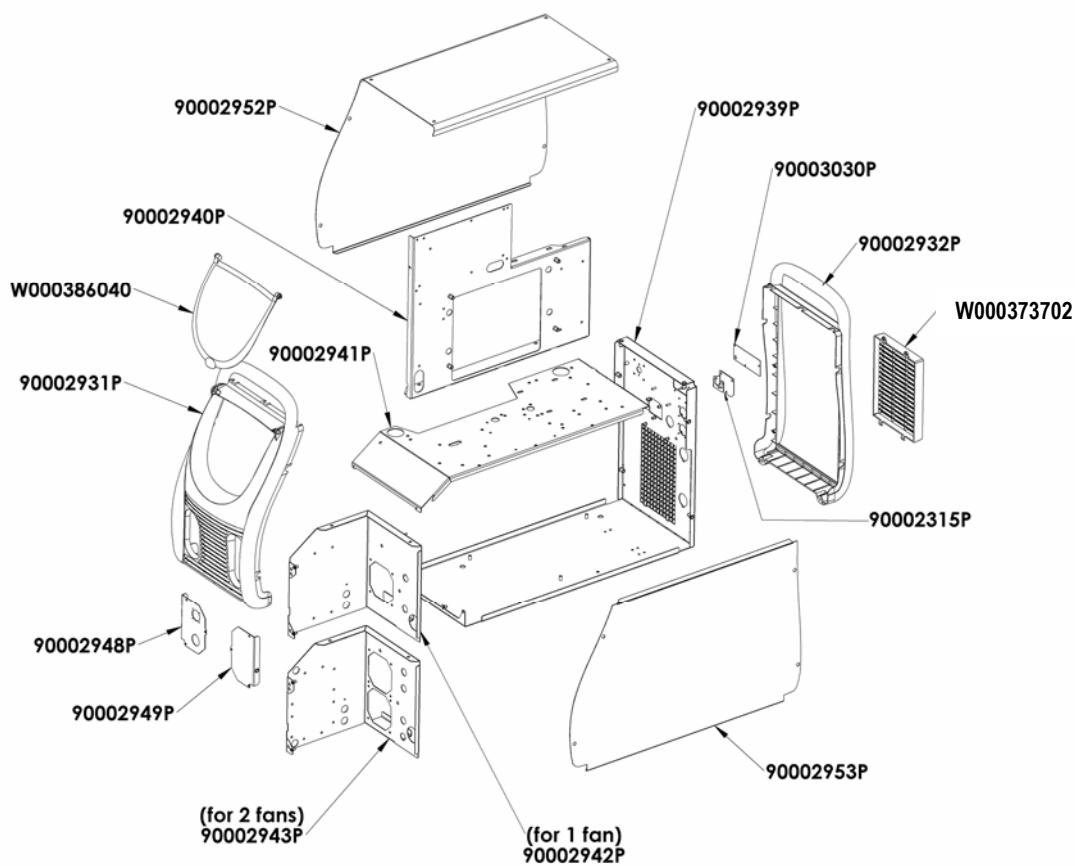
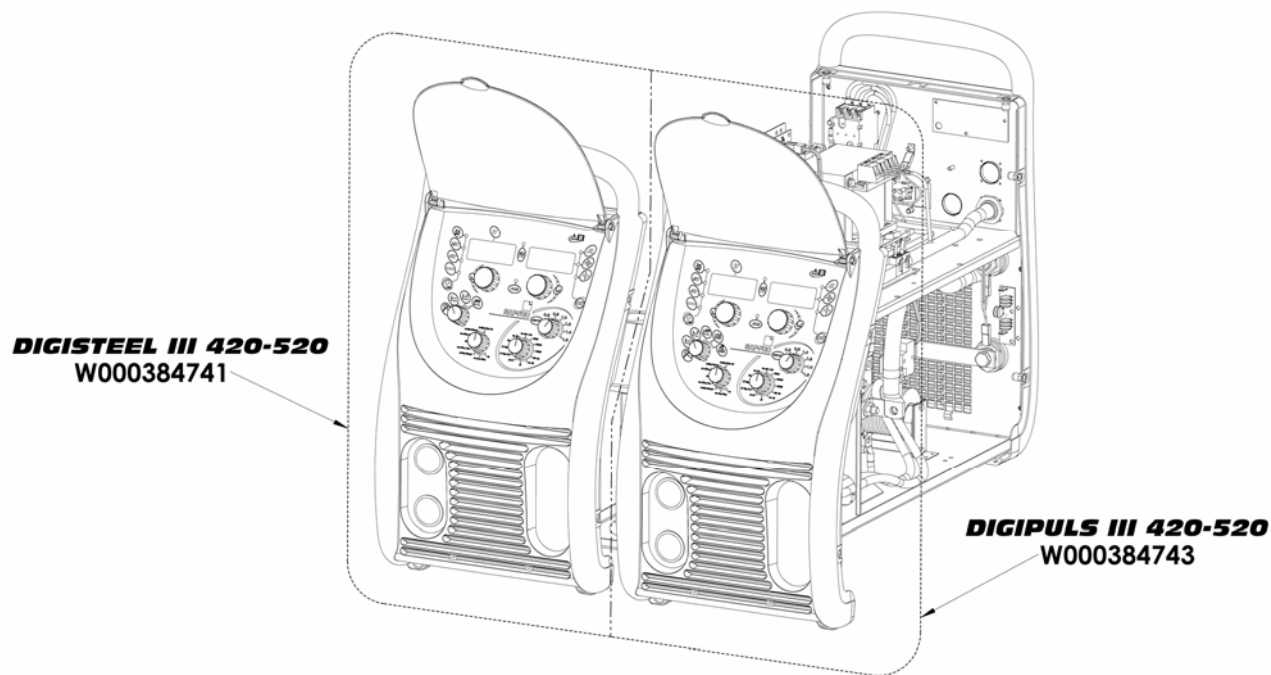
Сильный износ направляющей проволоки может привести к утечки газа в заднюю сторону горелки.

Мундштуки рассчитаны на длительный срок эксплуатации. Тем не менее, прохождение проволоки через них приводит к их износу, расширяя отверстие свыше допустимых размеров, требуемых для хорошего контакта между трубкой и проволокой.

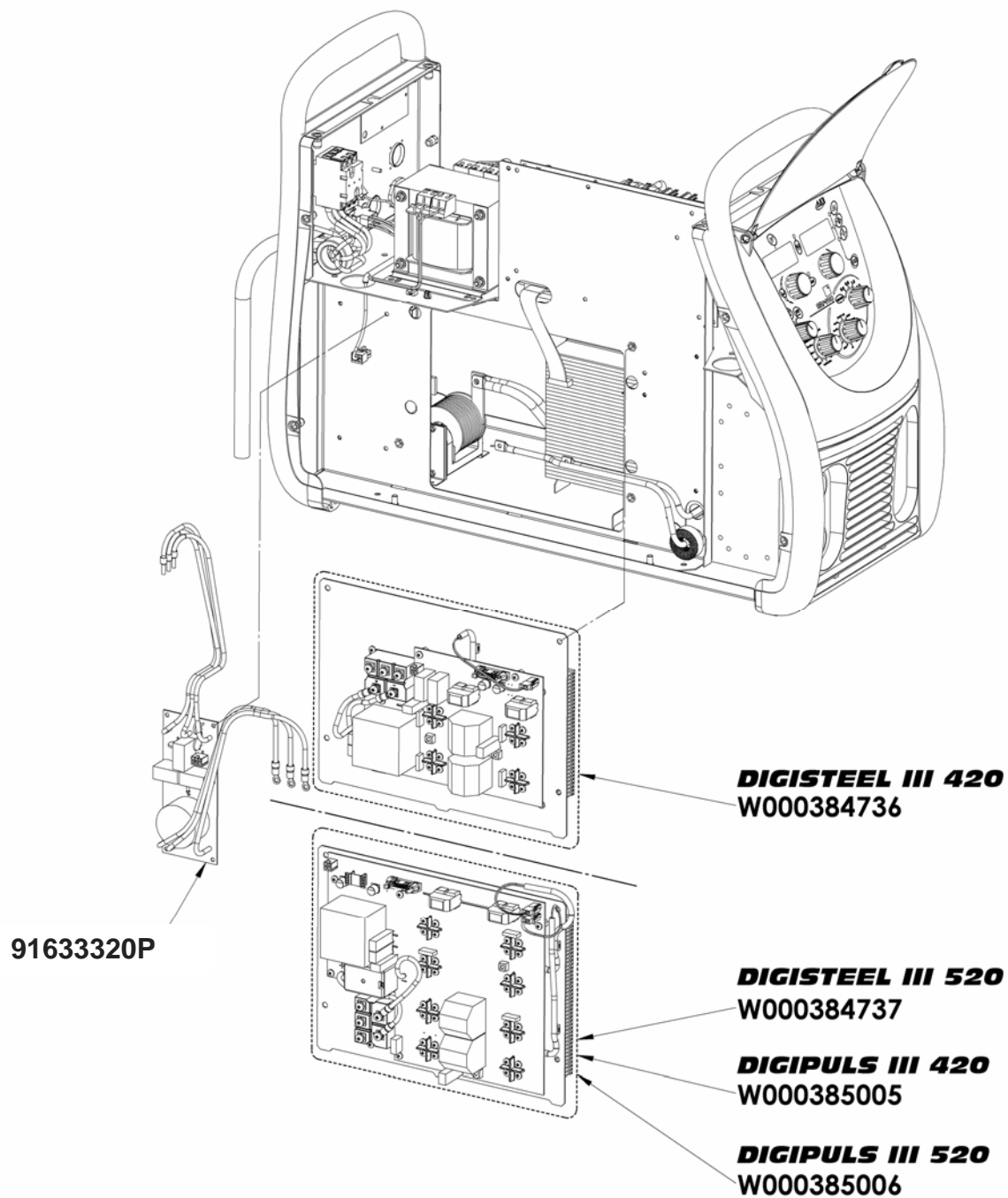
Необходимость в их замене становится очевидной, когда начинается нестабильность в переносе металла, при том, что все установки рабочих параметров остаются в норме.

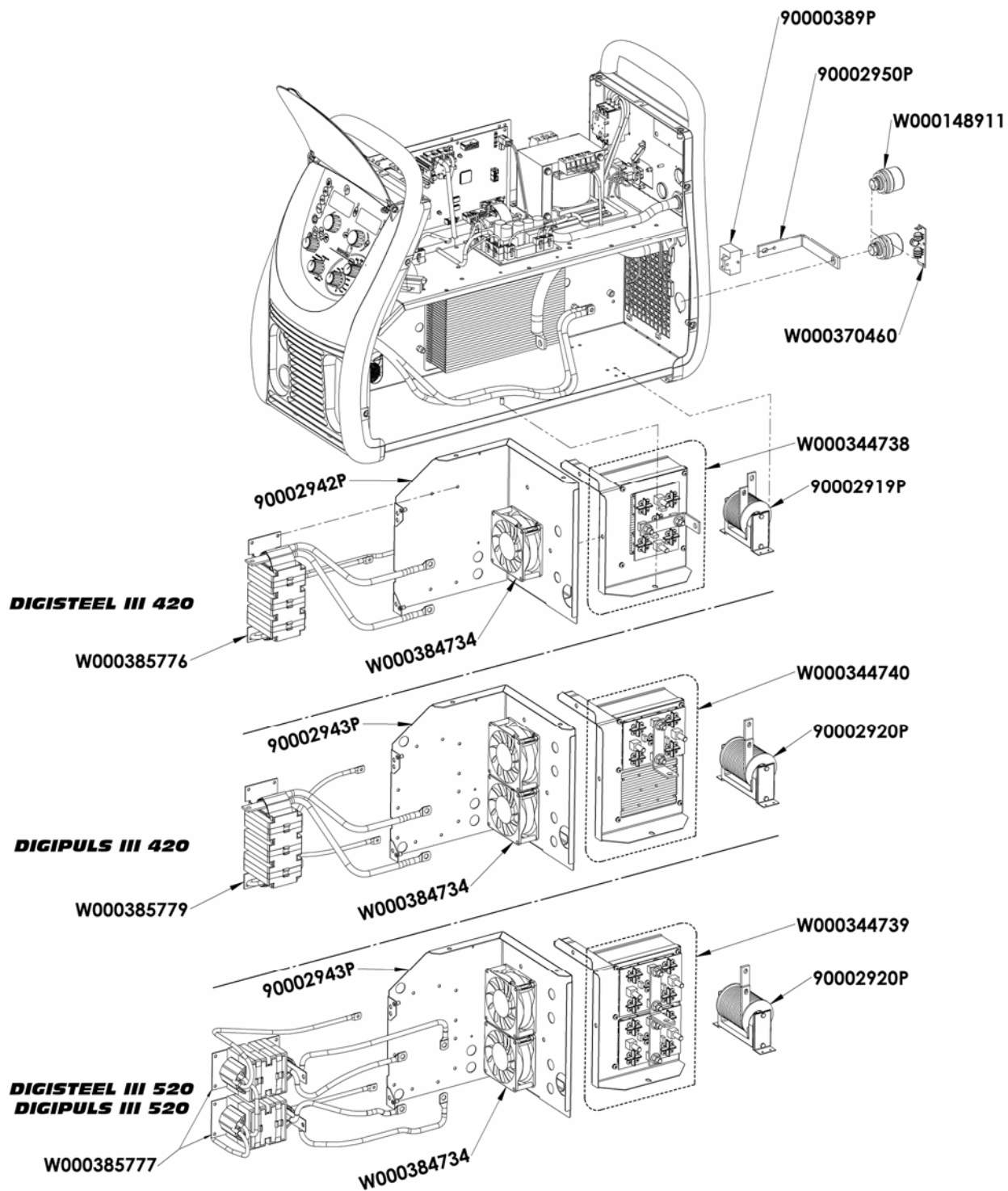
6.4. ЗАПАСНЫЕ ЧАСТИ, КОМПОНЕТЫ

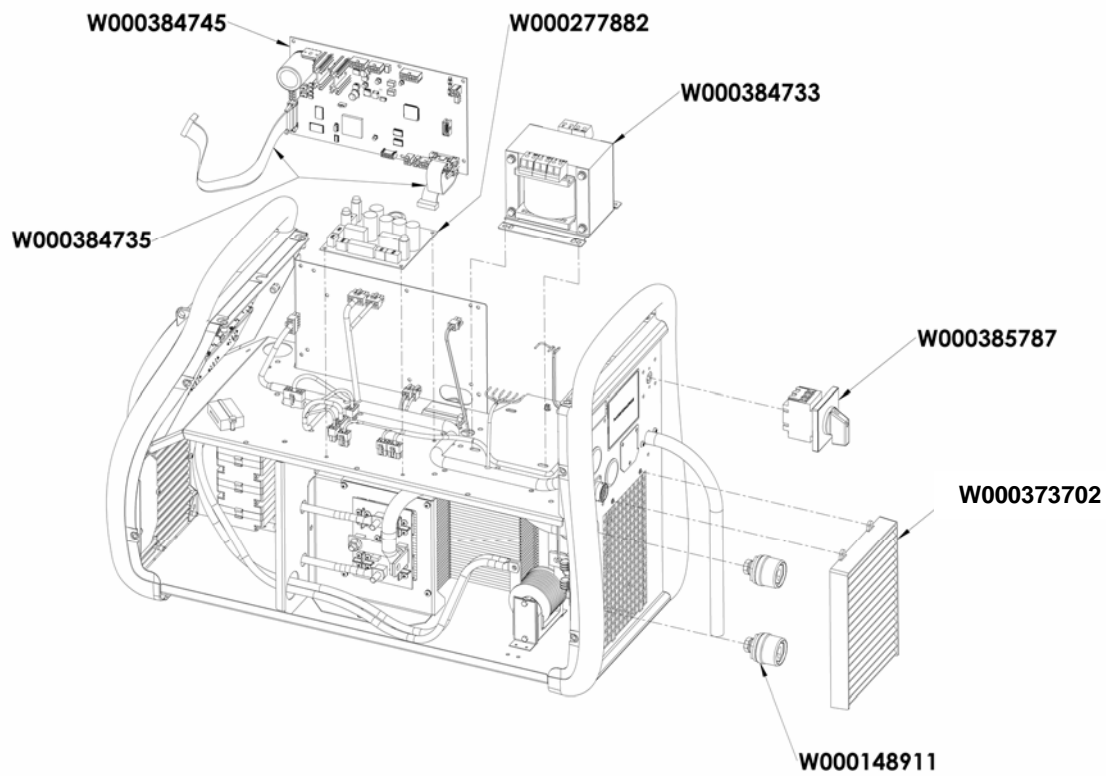
Корпус



Внутренний и инвертер:







6.5. ПРОЦЕДУРА УСТАРЕНИЯ НЕИСПРАВНОСТЕЙ

Обслуживание электрооборудование должен выполнять только квалифицированный персонал.

ПРИЧИНЫ	РЕШЕНИЯ
ГЕНЕРАТОР ВКЛЮЧЕН, ТОГДА КАК ЛИЦЕВАЯ ПАНЕЛЬ ВЫКЛЮЧЕНА	
Питание	Проверьте электропитание (к каждой фазе)
ОТОБРАЖЕНИЕ СООБЩЕНИЯ E01 ond	
Превышен максимальный пусковой ток источника питания	Для очистки ошибки нажмите на кнопку ОК, обратитесь в службу поддержки клиентов.
ОТОБРАЖЕНИЕ СООБЩЕНИЯ E02 inu	
плохое распознавание источника питания – только при пуске. Замыкание коннекторов	Убедитесь, что ленточный кабель между главной картой инвертера и картой цикла соединены должным образом.
ОТОБРАЖЕНИЕ СООБЩЕНИЯ E07 400	
ρ Несоответствующее напряжение сети	Убедитесь, что напряжение сети – между 320V и 440V. Если нет, проверьте вашу электрическую систему.
ОТОБРАЖЕНИЕ СООБЩЕНИЯ E24 SE_n	
Сбой в работе температурного датчика	Убедитесь, что соединитель В9 должным образом соединен с картой цикла (если нет, значит не выполняется измерение температуры). Неисправность датчика температуры. Обратитесь к Службе поддержки клиентов.
ОТОБРАЖЕНИЕ СООБЩЕНИЯ E25 °C	
Перегрев источника питания Ventilation	Дайте генератору остыть Сбой пропадет сам собой через несколько минут Убедитесь, что вентилятор инвертера работает.
ОТОБРАЖЕНИЕ СООБЩЕНИЯ E33 MEM-LIM Данное сообщение показывает, что память больше не работает	
Неисправность во время сохранения в память	Обратитесь в службу поддержки клиентов.
ОТОБРАЖЕНИЕ СООБЩЕНИЯ E34 CFG	
Une sélection de paramètre incohérente Ex : mode 4T en auto N1	Произведите последовательный выбор.
ОТОБРАЖЕНИЕ СООБЩЕНИЯ E43 brd	
Carte électronique en défaut	Appeler le service après vente.
ОТОБРАЖЕНИЕ СООБЩЕНИЯ E50 H2o	
Охлаждающее устройство по умолчанию	Убедитесь, что охлаждающее устройство подключено корректно. Проверьте устройство охлаждения (трансформатор, водяной насос...) В случае неиспользования охлаждающего устройства деактивируйте параметр в меню Установок (SETUP).
ОТОБРАЖЕНИЕ СООБЩЕНИЯ E63 IMO	
Механическая проблема	Прижимной ролик чрезмерно натянут. Шланг подачи проволоки засорен грязью. Блокировка оси для барабана механизма подачи проволоки чрезмерно натянута.
ОТОБРАЖЕНИЕ СООБЩЕНИЯ E65-Mot	
Дефектные соединители Механическая проблема Электропитание	Проверьте соединение ленточного кабеля кодировщика к мотору механизма подачи проволоки. Убедитесь, что узел механизма подачи проволоки не заблокирован. Проверьте соединение питания механизма подачи проволоки. Проверьте F2 (6A) на вспомогательной карте питания.
ОТОБРАЖЕНИЕ СООБЩЕНИЯ E71 -DIA-MET-GAS	
селектор НМИ-ПРОЦЕСС ДИАМЕТР-МЕТАЛЛ-GAS в значении по умолчанию	Поверните селектор, чтобы разблокировать, после того, как appeler le службы après Vente если всегда по умолчанию
ОТОБРАЖЕНИЕ СООБЩЕНИЯ StE PUL	
Инвертер не распознается должным образом	Обратитесь в службу поддержки клиентов.
ОТОБРАЖЕНИЕ СООБЩЕНИЯ I-A-MAXX	

Достигнут максимальный ток источника питания

Снизьте скорость подачи проволоки или напряжение дуги

ОТОБРАЖЕНИЕ СООБЩЕНИЯ bPXon

Сообщение указывает на то, что кнопка ОК или кнопку ОТМЕНА удерживается в нажатом состоянии в неожиданное время

Нажмите кнопку, чтобы разблокировать, после того, как обслуживание клиентов, если вызов всегда по умолчанию

ОТОБРАЖЕНИЕ СООБЩЕНИЯ SPExXX

подачи проволоки всегда активируется невольно

Проверьте кнопку подачи проволоки не заблокирован
Проверьте подключение этой кнопки и электронной платы

ОТОБРАЖЕНИЕ СООБЩЕНИЯ LOA DPC

Обновление программного обеспечения по ПК активируется непроизвольно

Остановка и запуск источника питания, после того, как обслуживание клиентов, если вызов всегда по умолчанию

СБОЙ СПУСКОВОГО КРЮЧКА

Данное сообщение генерируется в случае, когда спусковой крючок нажимается в то время, когда он может случайно вызвать пуск цикла.

Спусковой крючок нажимается до включения источника питания или во время сброса по причине сбоя.

ГЕНЕРАТОР РАБОТАЕТ/НЕТ УПРАВЛЕНИЯ ПОДАЧИ ПРОВОЛОКИ И ГАЗА

Соединение жгута.

проверьте соединение вилки жгута с задней стороны сварочной установки и на механизме подачи проволоки. проверьте состояние контактов

ОТСУТСТВУЕТ СВАРОЧНЫЙ ТОК ОТСУТСТВУЕТ СООБЩЕНИЕ ОБ ОШИБКЕ

Силовой кабель не подключен

Проверьте соединение шины заземления и соединение жгута (кабель управления и силовой кабель)

Сбой источника питания

В режиме сварки покрытым электродом проверьте напряжение между сварочными контактами в задней части генератора. В случае отсутствия напряжения обратитесь в службу поддержки клиентов.

КАЧЕСТВО СВАРКИ

Неправильная калибровка

Проверьте параметр точной установки (RFP = 0)

Замена горелки и/или шины заземления или заготовки

Выполните повторную калибровку (Проверьте надлежащий электрический контакт в сварочной цепи).

Нестабильная или неустойчивая сварка

Убедитесь, что устройство последовательности не активировано. Проверьте горячий пуск и нисходящий.

Нестабильная или неустойчивая сварка

Выберите ручной режим. Ограничение высвывается правилами совместимости синергии.

Ограниченный диапазон установок регулировки

При использовании ПДУ (RC JOB) убедитесь, что Вы не активировали ограничение установки паролем.

Недостаточное энергообеспечение источника питания

Проверьте правильное подключение трех фаз электропитания.

ПРОЧЕЕ

Проволока застряла в сварочной ванне или в мундштуке. При включении питания отображается сообщение triG.

Оптимизируйте параметры гашения дуги: PR спрей и втягивание после сварки.

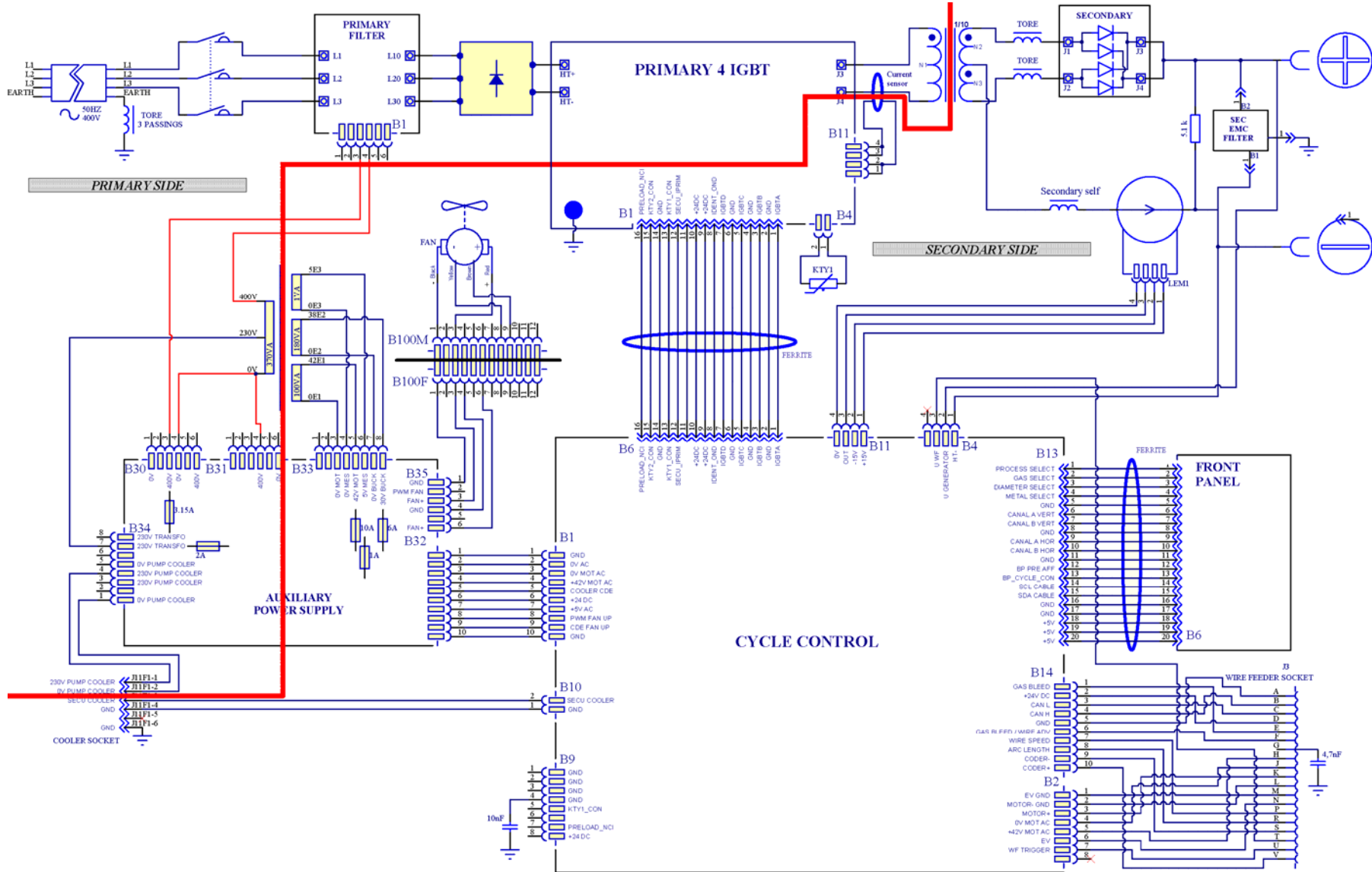
Сообщение TtriG отображается в случае, если спусковой крючок активирован до включения сварочной установки.

Если проблема не устраняется, Вы можете сбросить параметры до заводских установок по умолчанию. Для этого, при выключенной сварочной установке, выберите положение Установка (Setup) при помощи селектора на лицевой панели, нажмите кнопку ОК и удерживайте ее во время включения источника питания.

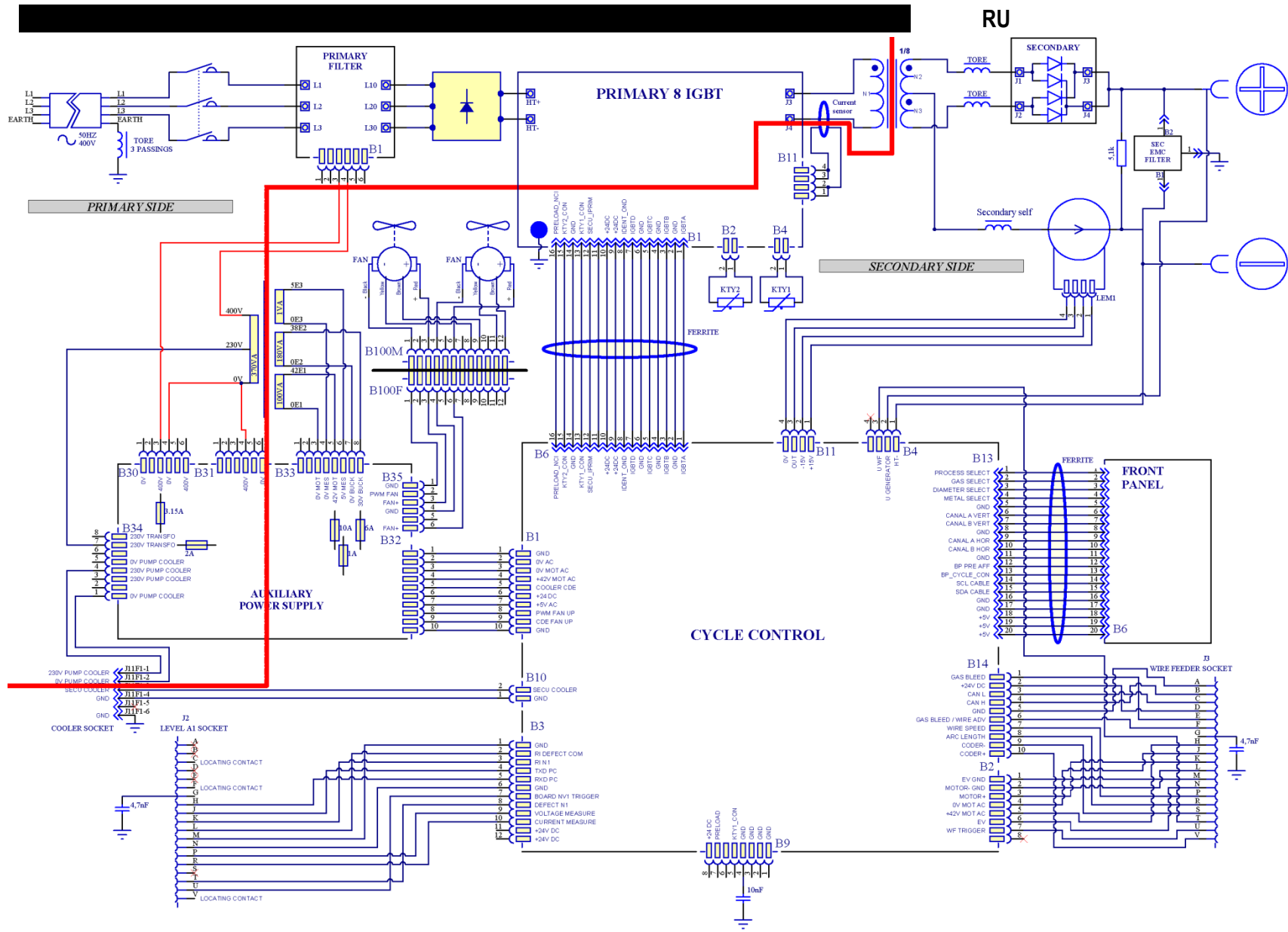
ОБРАТИТЕ ВНИМАНИЕ

Вначале запишите Ваши рабочие параметры, поскольку данная операция сотрет все параметры, сохраненные в памяти. Если СБРОС до заводских установок по умолчанию не решает проблему, обратитесь в службу поддержки клиентов.

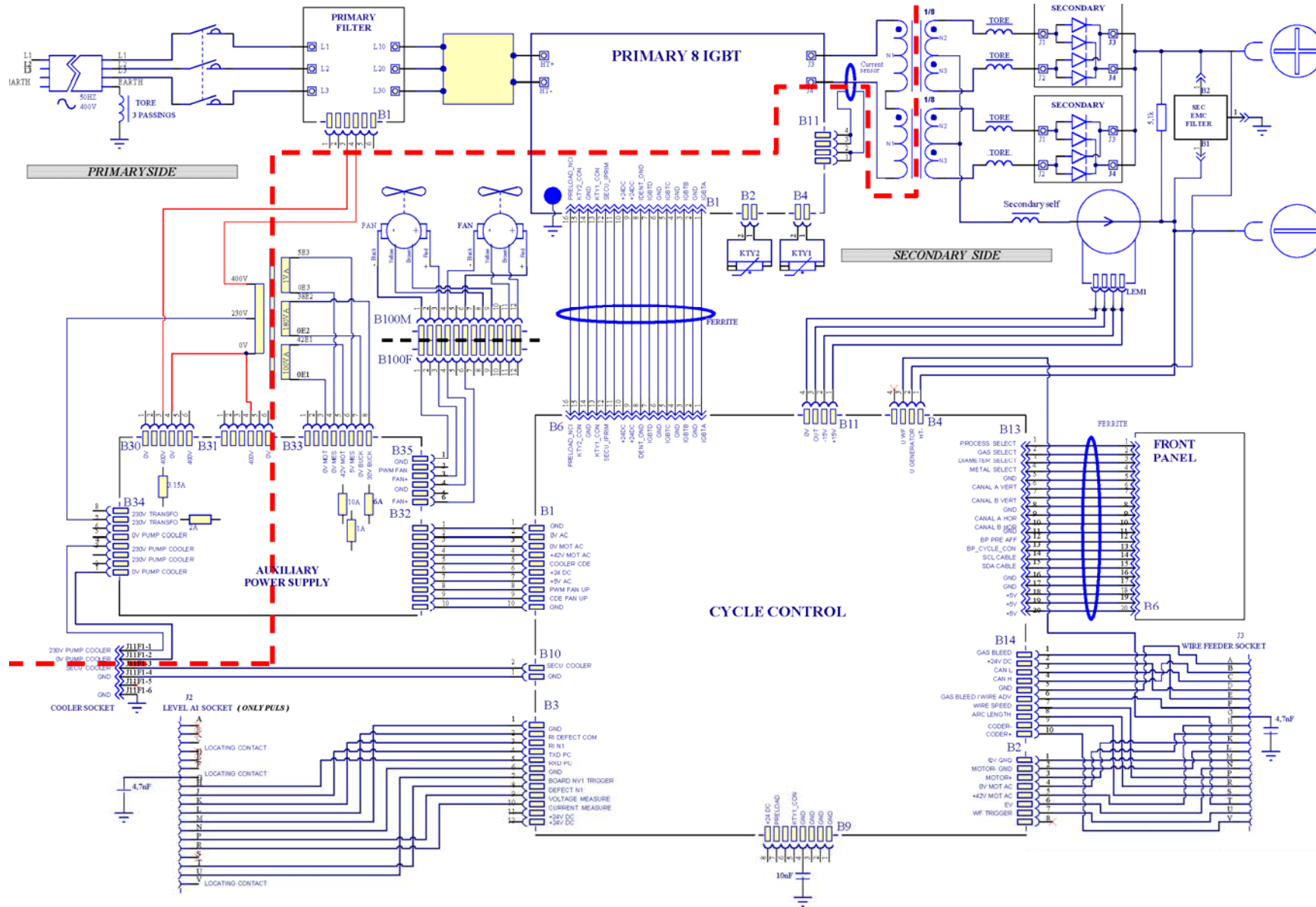
6.6. ЭЛЕКТРИЧЕСКАЯ СХЕМА



DIGISTEEL III 420A



DIGIPULS III 420A



7 - ПРИЛОЖЕНИЯ

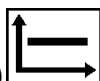
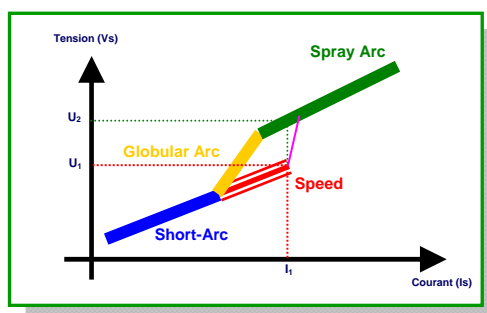
7.1. ПРЕДСТАВЛЕНИЕ ПРОЦЕССОВ СВАРКИ

Для углерода и нержавеющей сталей, в DIGISTEEL III 420-520 / DIGIPULS III 420-520 используется 3 типа короткой дуги:

- + «мягкая» или «гладкая» короткая дуга»
- + динамическая» короткая дуга или «быстрая короткая дуга» « SSA »
- + Le short arc HPS

Импульсная дуговая сварка плавящимся электродом (MIG) может применяться для всех типов металла (сталь, нержавеющая сталь и алюминий) со сплошными проволоками и с проволоками с наполнителем. В частности, данный режим подходит для нержавеющей стали и алюминия, для которых он является идеальным процессом, исключая брызги и позволяющим достичь отличного плавления проволоки idéal.

- + Характеристики дуги источника питания



«Мягкая» или «Гладкая» короткая дуга » (SA)

«Мягкая» короткая дуга обеспечивает **значительное снижение брызг** при сварке углеродистых сталей, что приводит к значительному снижению затрат на обработку.

Она улучшает внешний вид сварного шва благодаря улучшенному смачиванию сварочной ванны.

«Мягкая» короткая дуга подходит для сварки во всех положений. Увеличение скорости подачи проволоки позволяет войти в режим дуговой сварки со струйным переносом металла, не предотвращая переход в глобулярный режим.

Форма волны сварки короткой дугой



Примечание: «Мягкая» короткая дуга немного более энергична в отличие от «быстрой» короткой дуги. Следовательно, «быстрая» короткая дуга может быть предпочтительней «мягкой» короткой дуге при сварке очень тонких листов (≤ 1 мм) или для провара..



«Динамическая» короткая дуга или «Быстрая короткая дуга» (SSA)

Путем **увеличения скорости подачи проволоки** режим гладкой короткой дуги плавно переходит в режим быстрой короткой дуги, тем временем предотвращая глобулярный режим.

Благодаря управлению быстрой дуги и использованию соответствующего программирования, DIGISTEEL III 420-520 / DIGIPULS III 420-520 может искусственно продлить диапазон короткой дуги до высоких токов, в диапазоне быстрой короткой дуги.

Форма волны процесса сварки быстрой короткой дугой



Исключая режим «глобулярной» дуги, которая характеризуется тяжелыми и липкими брызгами и более высокой энергией, чем при короткой дуге, режим быстрой короткой дуги позволяет:

- ⇒ Снизить количество искажений при высоких токах сварки в типичном сварочном диапазоне «глобулярной» дуги
- ⇒ Снизить количество брызг по сравнению с глобулярным режимом
- ⇒ Получать хороший вид сварного шва
- ⇒ Снизить выделение дыма по сравнению с обычными режимами (до 25%)
- ⇒ Получать хороший круглый провар
- ⇒ Выполнять сварку во всех положениях

Примечание: Программы CO₂ автоматически и эксклюзивно используют «мягкую» короткую дугу и не дают доступа к быстрой короткой дуге. «Динамическая» короткая дуга не пригодна для сварки с CO₂ по причине нестабильности дуги..

HPS – High Penetration Speed – Высокая скорость пенетрации



HPS – это процесс сварки, разработанный компанией LE, предоставляющий преимущества режима дугового напыления и короткой дуги.

Так как сварочное напряжение меньше чем при классическом режиме дугового напыления, сварочная энергия ниже и сварочные материалы меньше ограничены. HPS регулируемый хорошо приспособленным цифровым управлением приносит следующие преимущества:

- у него хорошо регулируемая дуга, несмотря на использование высокого режима сварки
- у него более длинный вылет, дающий возможность сварки в нижней части скоса, пока готовится дуга
- Повышает пенетрацию и снижает или устраняет скошенную кромку
- Повышает продуктивность и одновременно лимитирует подготовку и повышает скорость подачи присадочного металла
- Устраняет эффект подрезки основного материала

За более полной информацией обратитесь к своему контактному лицу по сварке и запросите брошюру HPS



НОРМАЛЬНЫЙ импульсный режим дуговой сварки плавящимся электродом

Перенос металла в дуге происходит путем отделения капель, получаемых в результате импульсов тока. Микропроцессор вычисляет все импульсные параметры импульсной дуговой сварки плавящимся электродом (MIG) для каждой скорости подачи проволоки для обеспечения превосходных результатов сварки и зажигания.

преимуществами импульсной дуговой сварки плавящимся электродом (MIG) являются:

- + Снижение искажений при высоких токах сварки при обычном диапазоне «глобулярного» режима сварки и дуговой сварке со струйным переносом металла
- + Позволяет выполнять сварку во всех положениях
- + Превосходное плавление проволок из нержавеющей стали и алюминия.
- + Практически полное исключение брызг и соответственно работ по финишной обработке
- + Хороший внешний вид сварного шва
- + Снижение выделения дыма по сравнению с обычными методами и короткой дугой с равномерной скоростью (до 50%);

Импульсные программы **DIGIPULS III 420-520** для нержавеющей стали исключают небольшие брызги, которые могут иметь место на тонких листах металла при очень низких скоростях подачи проволоки. Такие «шарики» образуются от небольших брызг металла во время отрыва капель. Степень данного феномена зависит от типа и происхождения проволок.

Данные программы для нержавеющей стали прошли улучшения для работы при малых токах и улучшения гибкости использования для сварки тонких листов металла с использованием метода импульсной дуговой сварки плавящимся электродом (MIG)...

превосходные результаты сварки тонких листов стальных металлов (1 мм) получаются с использованием импульсного метода дуговой сварки плавящимся электродом (mig) с проволокой диаметром \varnothing 1 ммв среде газов M12 или M11 (в среднем допустимо 30a).

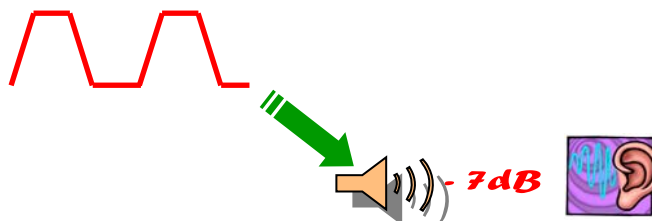
Внешний вид соединений, полученных с использованием **DIGIPULS III 420-520** по качеству сравним с дуговой сваркой вольфрамовым электродом в среде инертного газа (TIG).



Сварка металлическим электродом в среде инертного газа малошумящей пульсирующей струей или

предлагается для металла или нержавеющей стали \varnothing 1 и 1.2 мм, новая методика совместного действия пульсирующей струей позволяющая:

- + заметное снижение шума дуги
- + получить более мощную и гибкую дугу с большей зоной расширения
- + более горячую сварочную ванну, а значит более гладкий сварной шов



Примечание: малошумящая пульсирующая струя позволяет производить сварку в более благоприятной среде. Она позволяет подавать большее количество энергии на сварочную ванну и по этой причине более легко использоваться при сварке плашмя, но является менее удобной для позиционной сварки..

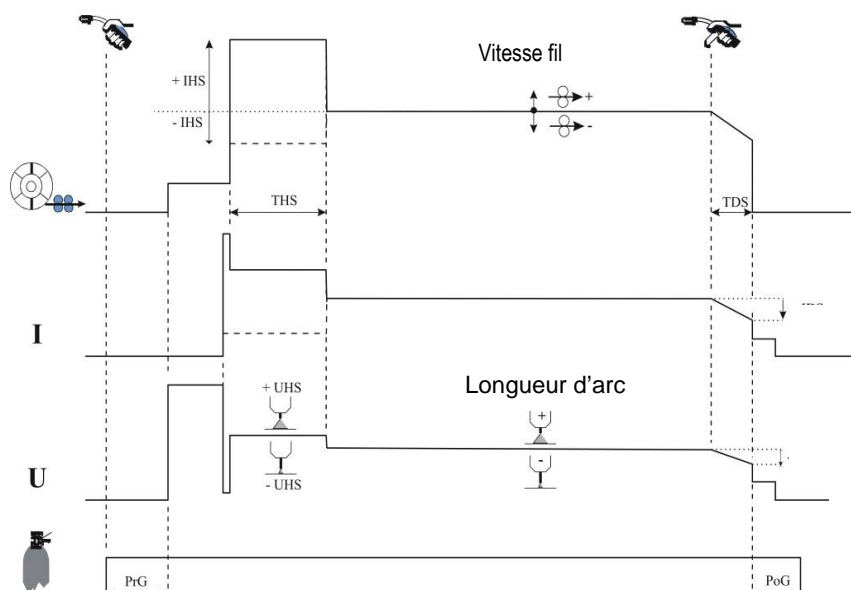
7.2. УЛУЧШЕННЫЙ ЦИКЛ СВАКРИ

2- Шаговый цикл

Нажатие на спусковой крючок активирует подачу проволоки и пред-газ, а также включает сварочный ток. Отпускание спускового крючка приводит к остановке сварки.

Цикл Горячего пуска подтверждается параметром **t H S \neq OFF** в общем подменю Цикла режима Установки. Он позволяет начать сварку с пиком тока, который помогает зажиганию.

Нисходящий позволяет производить финишную обработку сварного валика со снижающимся уровнем сварки.



4- шаговый цикл

Нажатие на спусковой крючок в первый раз активирует предгаз за которым следует горячий пуск. Отпускание спускового крючка приводит к началу сварки.

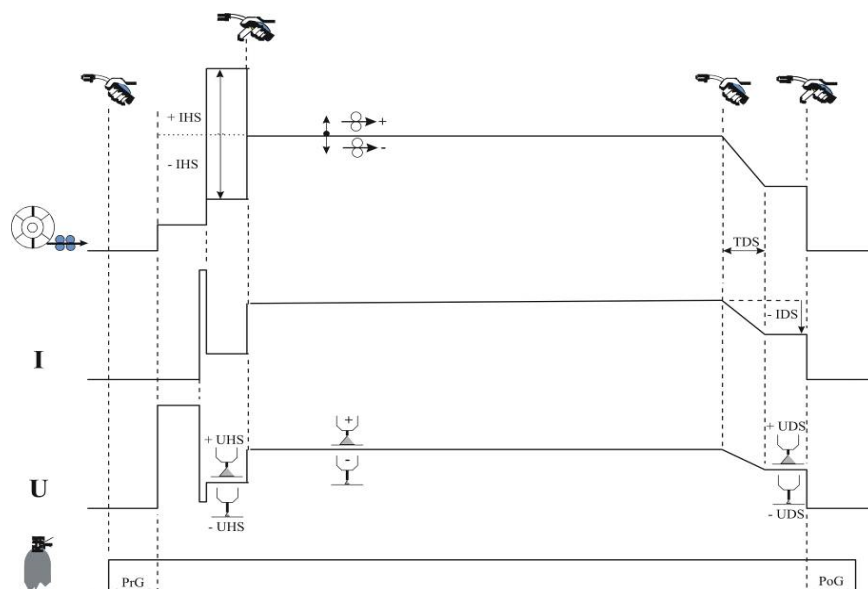
Если ГОРЯЧИЙ ПУСК не активен, сварка начнется сразу после предгаза. В таком случае, отпускание спускового крючка (2-й шаг) не приведет к действию, а сварочный цикл продолжится.

Нажатие на спусковой крючок в фазе сварки (3-й шаг) обеспечит контроль над длительностью функций уменьшения и антикратера в соответствии с предварительно запрограммированной задержкой времени.

Если нет времени уменьшения, отпускание спускового крючка немедленно переключит в постгаз ((как запрограммировано в Установке (Setup). 4-шаговом режиме (4T), отпускание спускового крючка приводит к остановки функции антикратер при ВКЛЮЧЕННОМ времени уменьшения (тока).

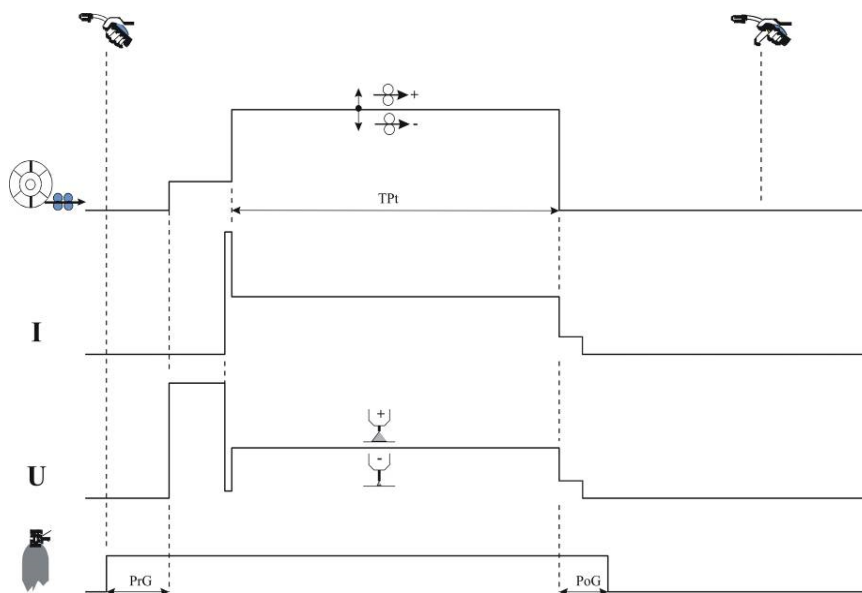
При ОТКЛЮЧЕНИИ времени (уменьшения тока) отпускание спускового крючка приведет к остановке ПОСТГАЗА.

Функции Горячего пуска и времени уменьшения недоступны в ручном режиме.



Точечный цикл

Нажатие на спусковой крючок активирует скорость подачи проволоки и предгаз, а также включает сварочный ток. Отпускание спускового крючка приводит к остановке сварки. Регулировка уставок горячего пуска, времени уменьшения (тока) и устройства последовательности отключено. в конце задержки времени точечного цикла сварка останавливается.



Цикл устройства последовательности

Устройство последовательности подтверждается параметром "tSE≠OFF" в подменю специального цикла меню УСТАНОВКИ (SETUP).

Для доступа :

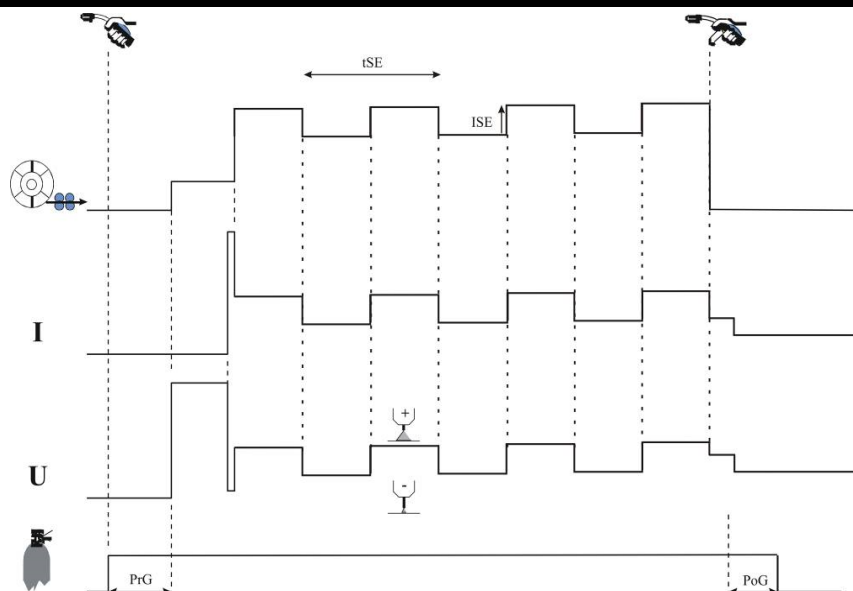
Параметр "tSE" отображается в меню «ЦИКЛ» ("CYCLE")

Установите данный параметр в значение между 0 и 9.9 с.

tSE : Длительность 2 плато, если ≠ ВЫКЛ (OFF).

ISE : Ток 2 уровня как % 1 уровня.

Доступно только в синергическом режиме, 2Т цикл или 4Т цикл.



Точная установка (параметр регулируется в меню установки цикла "rFP")

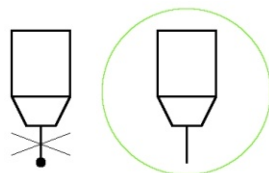
При импульсной сварке, функция точной установки позволяет оптимизировать место отделения капли в соответствии с вариацией в составе используемых проволок и сварочных газов.

Если в дуге наблюдаются мелкие брызги, которые могут прилипнуть к заготовке, установка точной настройки может быть изменена в сторону отрицательных значений.

Если по дуге передаются крупные капли, установки точной настройки можно изменить в сторону положительных значений.

PR спрей или заточка проволоки

Конец циклов сварки можно менять для предотвращения образования шарика на конце сварки. Данная операция с проволокой обеспечивает практически идеальное повторное зажигание. Выбранное решение состоит из подачи пика тока в конце цикла, что приводит к заострению конца проволоки.



Примечание: Данный пик тока в конце цикла не всегда желателен. Например, при сварке тонкого листа металла, данный механизм может привести к кратеру.

7.3. СПИСОК СИНЕРГИЙ

SHORT ARC (SA)						
	0.6 mm	0.8 mm	1 mm	1.2 mm	1.4 mm	1.6 mm
Fe SG 1/2	M21	M21	M21	M21	/	M21
	M14	M14	M14	M14	/	M14
	M20	M20	M20	M20	/	M20
	/	I1	I1	I1	/	I1
CrNi	/	M11	M11	M11	/	M11
	/	M12	M12	M12	/	M12
	/	M12	M12	M12	/	M12
AlSi	/	/	C1	C1	/	C1
Al	/	/	/	C1	/	C1
AlMg 3.5	/	/	C1	C1	/	C1
AlMg 5	/	/	C1	C1	/	C1
Cu Si	/	C1	C1	C1	/	/
Cu Al	/	/	C1	C1	/	/
SD Zn	/	/	M21	M21	/	/
RCW : SD 100	/	/	M21	M21	/	M21
	/	/	I1	I1	/	I1
MCW : SD 200	/	/	M21	M21	M21	M21
BCW : SD 400	/	/	/	M21	/	M21
	/	/	/	I1	/	I1
SPEED SHORT ARC (SSA)						
	0.6 mm	0.8 mm	1 mm	1.2 mm	1.4 mm	1.6 mm
Fe SG 1/2	M21	M21	M21	M21	/	M21
	M14	M14	M14	M14	/	M14
	M20	M20	M20	M20	/	M20
CrNi	/	M12	M12	M12	/	M12
	/	M12	M12	M12	/	M12
	/	M11	M11	M11	/	M11
MCW : SD 200	/	/	/	M21	/	/
HPS						
	0.6 mm	0.8 mm	1 mm	1.2 mm	1.4 mm	1.6 mm
Fe SG 1/2	/	/	M21	M21		/
	/	/	M20	M20		/
MCW : SD 200	/	/	/	M21	M21	/
	/	/	/	M20	M20	/
	/	/	/	M14	M14	/
PULS						
	0.6 mm	0.8 mm	1 mm	1.2 mm	1.4 mm	1.6 mm
Fe SG 1/2	/	M21	M21	M21	/	M21
	/	M14	M14	M14	/	M14
	/	M20	M20	M20	/	M20
CrNi	/	M11	M11	M11	/	M11
	/	M12	M12	M12	/	M12
	/	M12	M12	M12	/	M12
AlSi	/	/	C1	C1	/	C1
Al	/	/		C1	/	C1
AlMg 3.5	/	/	C1	C1	/	C1
AlMg 5	/	/	C1	C1	/	C1
Cu Si	/	/	C1	C1	/	/
Cu Al	/	/	C1	C1	/	/
MCW : SD 200	/	/	/	M21	/	M21
BCW : SD 400	/	/	/	M21	/	/

LOW NOISE PULS						
	0.6 mm	0.8 mm	1 mm	1.2 mm	1.4 mm	1.6 mm
Fe SG 1/2	/	/	M21	M21	/	/
	/	/	M14	M14	/	/
	/	/	M20	M20	/	/
CrNi	/	/	M12	M12	/	M12
	/	/	M12	M12	/	M12
	/	/	M11	M11	/	M11

NOTE: Pour toute autre synergie, veuillez contacter votre agence commerciale la plus proche

GAZ TABLE	
Description	Old gaz reference
Ar82/CO ₂ 18	M21
Ar92/CO ₂ 8	M20
Ar/CO ₂ /O ₂	M14
CO ₂	I1
Ar/CO ₂ /H ₂	M11
Ar98/CO ₂ 2	M12
Ar/He/CO ₂	M12
Ar	C1

WIRES TABLE		
Description	Désignation	Reference
Fe SG ½	Steel solid wire	NERTALIC G2 FILCORD FILCORD C FILCORD D FILCORD E STARMAG
Cu Si	Copper Silicium solid wire	
Cu Al	Copper Aluminum solid wire	FILCORD 46
Al Mg 5	Aluminum solid wire	FILALU Al Mg 5
Al Mg 3.5		FILALU Al Mg 3
Al Si		FILALU Al Si 5
Al		FILALU 99.5 Ti
Cr Ni	Stainless steel solid wire	FILINOX 307 FILINOX 308 Lsi FILINOX 309 Lsi FILINOX 316 Lsi
Sd Zn	Galvanised solid wire	FILCORD Zn
BCW	Basic cored wire	SAFDUAL STEELCORED INOXCORED
MCW	Metallized powder cored wire	
RCW	Rutile cored wire	