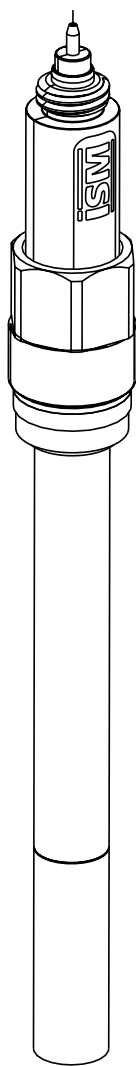


**METTLER TOLEDO**

**InPro 6850 i, 6900 i & 6950 i  
Series O<sub>2</sub> Sensors**

**Instruction manual  
Bedienungsanleitung  
Instructions d'utilisation**



**English** **Page 3**

**Deutsch** **Seite 40**


**Français** **Page 78**

InDip, InFit, InPro, ISM, and InTrac are registered trademarks of the Mettler Toledo Group in Switzerland and a further twelve countries.

# **InPro 6850 i, 6900 i & 6950 i Series O<sub>2</sub> Sensors**

## **Instruction manual**

# Contents

<b>1</b>	<b>Introduction</b>	<b>5</b>
<b>2</b>	<b>Important notes</b>	<b>6</b>
2.1	Notes on operating instructions	6
2.2	Intended use	6
2.3	Safety instructions	7
2.4	Examples of some typical applications	8
2.5	Use in Ex-zones	8
2.6	Ex-classification ATEX	9
2.6.1	Introduction	9
2.6.2	Rated data	9
2.6.3	Special conditions	10
2.7	 Ex-classification FM approved	11
<b>3</b>	<b>Product description</b>	<b>12</b>
3.1	General information	12
3.2	Principle	12
3.3	Scope of delivery	13
3.4	Equipment features	14
<b>4</b>	<b>Installation</b>	<b>15</b>
4.1	Mounting the sensor	15
4.2	Connection	15
4.2.1	Connecting the sensor to a AK9 cable	15
4.2.2	Connecting the AK9 cable to the transmitter	16
<b>5</b>	<b>Operation</b>	<b>17</b>
5.1	Start-up and polarizing	17
5.2	Calibration	18
5.2.1	Purpose of calibration	18
5.2.2	What you have to know for calibration	18
5.2.3	Single point calibration	19
5.2.4	Dual point calibration	19
<b>6</b>	<b>Maintenance</b>	<b>20</b>
6.1	Inspection of the sensor	20
6.1.1	Visual inspection	20
6.1.2	Testing the METTLER TOLEDO O <sub>2</sub> sensor master	21
6.1.3	Testing the sensor via a transmitter	22
6.1.4	ISM design	23
6.2	Changing the electrolyte, the membrane body or the interior body	23
<b>7</b>	<b>Storage</b>	<b>26</b>
<b>8</b>	<b>Product specification</b>	<b>26</b>
8.1	Certificates	26
8.2	Specifications	27
<b>9</b>	<b>Ordering information</b>	<b>29</b>
9.1	Sensors with ISM functionality	29
9.2	Accessories	29
9.3	Spare parts	29
9.4	Recommended transmitters	30
9.5	Recommended housings	31
<b>10</b>	<b>Theory of the polarographic sensor</b>	<b>32</b>
10.1	Introduction	32
10.2	Principle of the design of an oxygen electrode	32
10.3	Parameters determining current	36
10.4	Polarization voltage	36
10.5	Temperature	37
10.6	Dependence on flow	37
10.7	Oxygen partial pressure – oxygen concentration	37

## 1 Introduction

Thank you for buying the **InPro® 6850 i/6900 i/6950 i sensor from METTLER TOLEDO.**

The construction of the InPro series employs leading edge technology and complies with safety regulations currently in force. Notwithstanding this, improper use could lead to hazards for the user or a third-party, and/or adverse effects on the plant or other equipment.



**Therefore, the operating instructions must be read and understood by the persons involved before work is started with the sensor.**

The instruction manual must always be stored close at hand, in a place accessible to all people working with the InPro sensor.

If you have questions, which are not or insufficiently answered in this instruction manual, please contact your METTLER TOLEDO supplier. He will be glad to assist you.

## 2 Important notes

### 2.1 Notes on operating instructions

These operating instructions contain all the information needed for safe and proper use of the InPro 6850i / 6900i / 6950i sensor.

The operating instructions are intended for personnel entrusted with the operation and maintenance of the sensors. It is assumed that these persons are familiar with the equipment in which the sensor is installed.

#### Warning notices and symbols

This instruction manual identifies safety instructions and additional information by means of the following symbols:



**This symbol draws attention to safety instructions and warnings of potential danger which, if neglected, could result in injury to persons and/or damage to property.**



**This symbol identifies additional information and instructions which, if neglected, could lead to defects, inefficient operation and possible loss of production.**

### 2.2 Intended use

**METTLER TOLEDO InPro 6850i/6900i/6950i sensors are intended solely for inline measurement of the oxygen partial pressure in liquids and gases, as described in this instruction manual.**

Any use of these sensors which differs from or exceeds the scope of use described in this instruction manual will be regarded as inappropriate and incompatible with the intended purpose.

The manufacturer/supplier accepts no responsibility whatsoever for any damage resulting from such improper use. The risk is borne entirely by the user/operator.

Other prerequisites for appropriate use include:

- compliance with the instructions, notes and requirements set out in this instruction manual.
- acceptance of responsibility for regular inspection, maintenance and functional testing of all associated components, also including compliance with local operational and plant safety regulations.
- compliance with all information and warnings given in the documentation relating to the products used in conjunction with the sensor ( housings, transmitters, etc).
- observance of all safety regulations governing the equipment in which the sensor is installed.

- correct equipment operation in conformance with the prescribed environmental and operational conditions, and admissible installation positions.
- consultation with Mettler-Toledo Process Analytics in the event of any uncertainties.

## 2.3 Safety instructions



- The plant operator must be fully aware of the potential risks and hazards attached to operation of the particular process or plant. The operator is responsible for correct training of the workforce, for signs and markings indicating sources of possible danger, and for the selection of appropriate, state-of-the-art instrumentation.
- It is essential that personnel involved in the commissioning, operation or maintenance of these sensors or of any of the associated equipment (e.g. housings, transmitters, etc.) be properly trained in the process itself, as well as in the use and handling of the associated equipment. This includes having read and understood this instruction manual.
- The safety of personnel as well as of the plant itself is ultimately the responsibility of the plant operator. This applies in particular in the case of plants operating in hazardous zones.
- The oxygen sensors and associated components have no effect on the process itself and cannot influence it in the sense of any form of control system.
- Maintenance and service intervals and schedules depend on the application conditions, composition of the sample media, plant equipment and significance of the safety control features of the measuring system. Processes vary considerably, so that schedules, where such are specified, can only be regarded as tentative and must in any case be individually established and verified by the plant operator.
- Where specific safeguards such as locks, labels, or redundant measuring systems are necessary, these must be provided by the plant operator.
- A defective sensor must neither be installed nor put into service.
- Only maintenance work described in this operating instruction may be performed on the sensors.
- When changing faulty components, use only original spare parts obtainable from your METTLER TOLEDO supplier (see spare parts list, "Section 9.3").
- No modifications to the sensors and the accessories are allowed. The manufacturer accepts no responsibility for damages caused by unauthorised modifications. The risk is borne entirely by the user.

## 2.4 Examples of some typical applications

Below is a list of examples of typical fields of application for the oxygen sensors. This list is not exhaustive.

### Measurement in liquids:

- Biotech
- Chemical applications
- Brewing
- Beverage filtration
- Filling stations

### Measurement in gases:

- CO<sub>2</sub> recovery
- CO<sub>2</sub> purity
- Product storage
- Inert production

## 2.5 Use in Ex-zones



**Attention!** For an installation in Ex-zones please read the guidelines following hereafter:

 1258

### Ex-classification ATEX:



Ex ia IIC T6/T5/T4/T3 Ga/Gb



Ex ia IIIC T69°C/T81°C/T109°C/T161°C Da/Db

### Number of the test certificate:

SEV 14 ATEX 0169 X  
IECEX SEV 14.0026X

### Ex-classification FM approved:



IS/I, II, III/1/ABCDEFGH/T6 Ta = 60°C  
– 53 800 002; Entity



## 2.6 Ex-classification ATEX

### 2.6.1 Introduction

According to Directive 94/9/EC (ATEX 95) Appendix I, the O<sub>2</sub> oxygen sensors type InPro 6XXX is a devices of equipment group II, category 1/2G which, according to Directive 99/92/EC (ATEX 137) can be used in zones 0/1 or 1/2 or 1 or 2 as well as gas groups IIA, IIB and IIC, which are potentially explosive due to combustible substances in the temperature T3 to T6.

The requirements specified in EN 60079-14 must be observed during use/installation.

According to Directive 94/9/EC (ATEX 95) Appendix I, the O<sub>2</sub> oxygen sensors type InPro 6XXX is a devices of equipment group II, category 1/2D which, according to Directive 99/92/EC (ATEX 137) can be used in zones 20/21 or 21/22 or 21 or 22, which are potentially explosive due to combustible dust.

The requirements specified in EN 60079-14 must be observed during use/installation.

For the analog version of the O<sub>2</sub> oxygen electrode, the O<sub>2</sub> measurement circuit, temperature measurement circuit and data chip circuit are part of the common intrinsically safe system and are jointly connected to and operated by a separately certified transmitter.

The digital version of the O<sub>2</sub> oxygen sensor is connected to and operated by two-wire cable to the certified transmitter.

The intrinsically safe circuits are galvanically isolated from the non-intrinsically safe circuits up to a nominal voltage peak value of 375 V and from the earthed parts up to a nominal voltage peak value of 30 V.

### 2.6.2 Rated data

#### **Analog O<sub>2</sub> Oxygen sensor**

With type of protection: intrinsic safety to Ex ia IIC

#### **O<sub>2</sub> measuring circuit, temperature measuring circuit and data chip circuit**

Only for connection to certified intrinsically safe circuits. Maximum values:

$$U_i \leq 16 \text{ V}, I_i \leq 190 \text{ mA}, P_i \leq 200 \text{ mW}$$

$$L_i = 0 \text{ (effective internal inductance)}$$

$$C_i = 900 \text{ pF (effective internal capacitance)}$$

The values above apply, each as the sum of all the individual circuits of the associated intrinsically safe supply and evaluation unit (transmitter).

#### **Digital O<sub>2</sub> Oxygen sensor**

With type of protection: intrinsic safety to Ex ia IIC

**Two-wire current circuit**

Only for connection to certified intrinsically safe circuits. Maximum values:

$$U_i \leq 16 \text{ V}, I_i \leq 30 \text{ mA}, P_i \leq 50 \text{ mW}$$

$$L_i = \text{negligible}$$

$$C_i = \text{negligible}$$

**2.6.3 Special conditions**

- The relationship between the maximum permissible ambient or media temperature and temperature class, for category 1G applications, zone 0, is shown in the following table:

<b>Temperature class</b>	<b>Max. ambient or media temperature</b>
T 6	68 °C
T 5	80 °C
T 4	108 °C
T 3	160 °C

- The relationship between the maximum permissible ambient or media temperature and temperature class, for category 1D applications, zone 20, is shown in the following table:

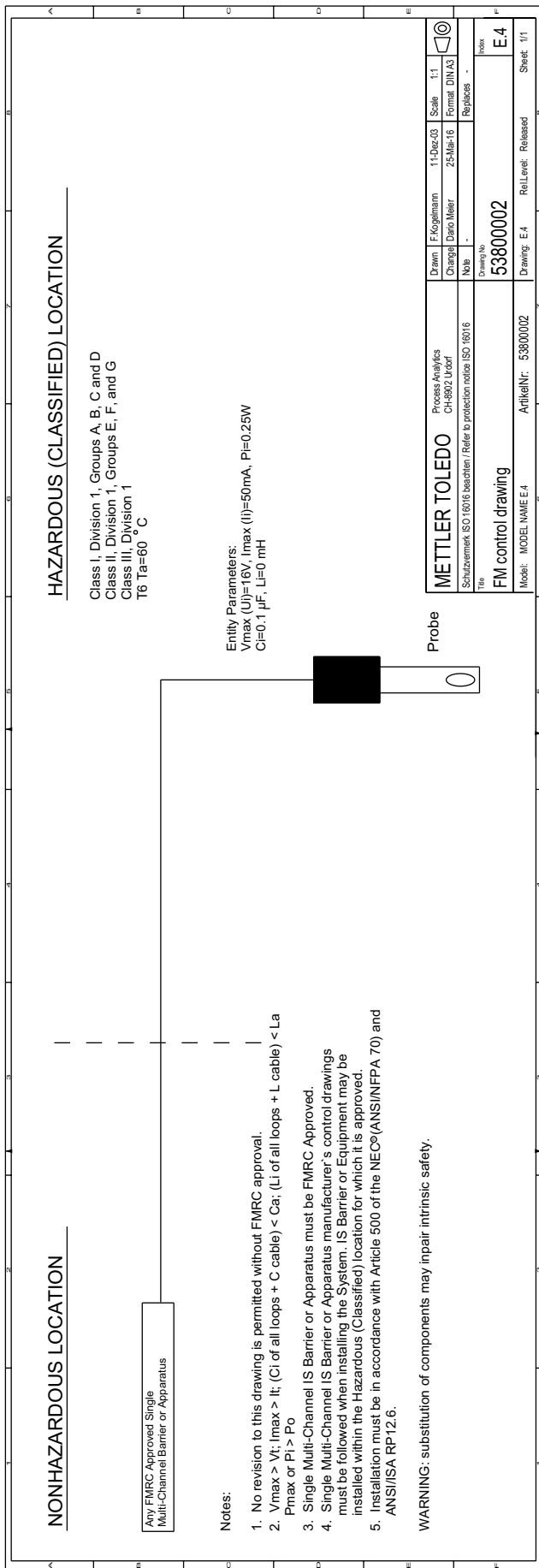
<b>Temperature class</b>	<b>Max. ambient or media temperature</b>
T 69 °C	68 °C
T 81 °C	80 °C
T 109 °C	108 °C
T 161 °C	160 °C

- The capacitance and inductance of the connecting cable has to be considered.
- The O<sub>2</sub> Oxygen sensor type InPro 6XXX can be used in/with the fittings InFit<sup>®</sup> 76\*-\*<sup>\*\*\*</sup> or InTrac<sup>®</sup> 7\*\*-\*<sup>\*\*\*</sup>, or in/with other suitable fittings in potentially explosive areas.
- The metal body of the O<sub>2</sub> Oxygen sensors, or the fittings InFit 76\*-\*<sup>\*\*\*</sup> or InTrac 7\*\*-\*<sup>\*\*\*</sup>, or other appropriate fitting is optionally included in the routine pressure test of the system.
- The independent fitting used for installation of O<sub>2</sub> Oxygen sensor must be conductively connected to the equipotential bonding system.

2.7



Ex-classification FM approved



**HAZARDOUS (CLASSIFIED) LOCATION**

Class I, Division 1, Groups A, B, C and D  
 Class II, Division 1, Groups E, F, and G  
 Class III, Division 1  
 T6 Ta=60 °C

Entity Parameters:  
 Vmax (Uij)=16V, Imax (Ii)=50mA, Pi=0.25W  
 Ci=0.1 µF, Li=0 mH

**NONHAZARDOUS LOCATION**

Any FMRC Approved Single Multi-Channel Barrier or Apparatus

- Notes:
1. No revision to this drawing is permitted without FMRC approval.
  2.  $V_{max} > V_t$ ;  $I_{max} > I_t$ ;  $(C_i \text{ of all loops} + C \text{ cable}) < C_a$ ;  $(L_i \text{ of all loops} + L \text{ cable}) < L_a$   
 $P_{max} \text{ or } P_i > P_o$
  3. Single Multi-Channel IS Barrier or Apparatus must be FMRC Approved.
  4. Single Multi-Channel IS Barrier or Apparatus manufacturer's control drawings must be followed when installing the System. IS Barrier or Equipment may be installed within the Hazardous (Classified) location for which it is approved.
  5. Installation must be in accordance with Article 500 of the NEC®(ANSI/NFPA 70) and ANSI/ISA RP-12.6.

WARNING: substitution of components may impair intrinsic safety.

<b>METTLER TOLEDO</b>	Process Analytics CH-8802 Udorf	Drawn F. Kogelmann 11-Dez-03	Scale 1:1
Schutzmerk ISO 16016 beachten / Refer to protection notice ISO 16016		Changed Dario Meier 25-Mai-16	Format DIN A3
Title <b>FM control drawing</b>		Note -	Replaces -
Model: MODEL NAME E.4	ArtikelNr: 53800002	Drawing No <b>53800002</b>	Index <b>E.4</b>
		Drawing: E.4	RelLevel: Released
			Sheet: 1/1

## 3 Product description

### 3.1 General information

The **oxygen sensor series InPro 6850 i/6900 i/6950 i** with integrated temperature probe are used for measurement of oxygen at low and medium concentrations.

The sensors are **sterilizable**, and in the majority of cases autoclavable too and they are **compatible with CIP** (Cleaning-In-Place).

InPro 6xxx i sensors with ISM<sup>®</sup> functionality offer Plug and Measure as well as enhanced diagnostics features.

### 3.2 Principle

#### **Amperometric oxygen sensors:**

The amperometric oxygen sensors of METTLER TOLEDO base all on the same measuring principle according to Clark. However different series are offered, which clearly differ in the number and arrangement of their electrodes and thus in their specifications:

- The measurement system of the InPro sensors consists of a working electrode (cathode), a counter electrode (anode), a reference electrode and a guard ring electrode. The measurement system is separated from the process medium by an oxygen permeable membrane.
- The measuring technique in principle is alike with all sensors.
- The transmitter supplies a constant voltage between cathode and anode.
- The electrolyte creates a conductive connection between the electrodes.
- The oxygen molecules migrate from the measurement medium through the membrane to the cathode to which the voltage is supplied and are reduced. At the same time, oxidation takes place at the anode.
- This causes a current to flow between the anode and cathode which is directly proportional to the partial pressure of oxygen (pO<sub>2</sub>) in the process medium. With digital ISM sensors, the sensor itself converts the current into oxygen concentration and communicates the value to the transmitter.
- The guard ring electrode of the InPro 6900 i and 6950 i built into the sensor reduces the oxygen that migrates to the side of the cathode and can distort the measurement. The guard ring electrode therefore enables traces of oxygen to be precisely determined at even the lowest concentrations.



**Note: Please refer to “Section 10 – Theory of the polarographic sensor” for further information.**

**ISM sensors:**

All oxygen sensors with the index "i" (6850 i, 6900 i, 6950 i) are equipped with ISM.

Principle: In the sensor head a chip is integrated, which takes over the entire monitoring and control of the sensor and, beyond that, stores all sensor data. This chip is responded via the transmitter.

The following data are available permanently in the sensor:

- type of sensor
- serial no.
- software version
- hardware version
- order no.
- operating time
- calibration time and calibration date
- calibration table

To check the system, the following indicators are supervised:

- temperature
- slope
- zero current
- air current
- polarization voltage

Based on these informations, the transmitter calculates a wear monitor and displays it depending upon transmitter type differently. (see the respective instruction manuals)

ISM enables the connection of the digital sensor to iSense. This user-friendly software allows to manage all sensor information and store it in a data base. Furthermore, the sensor can be calibrated via the iSense software.

### 3.3 Scope of delivery

Each sensor is supplied fully assembled and factory-tested for correct function together with:

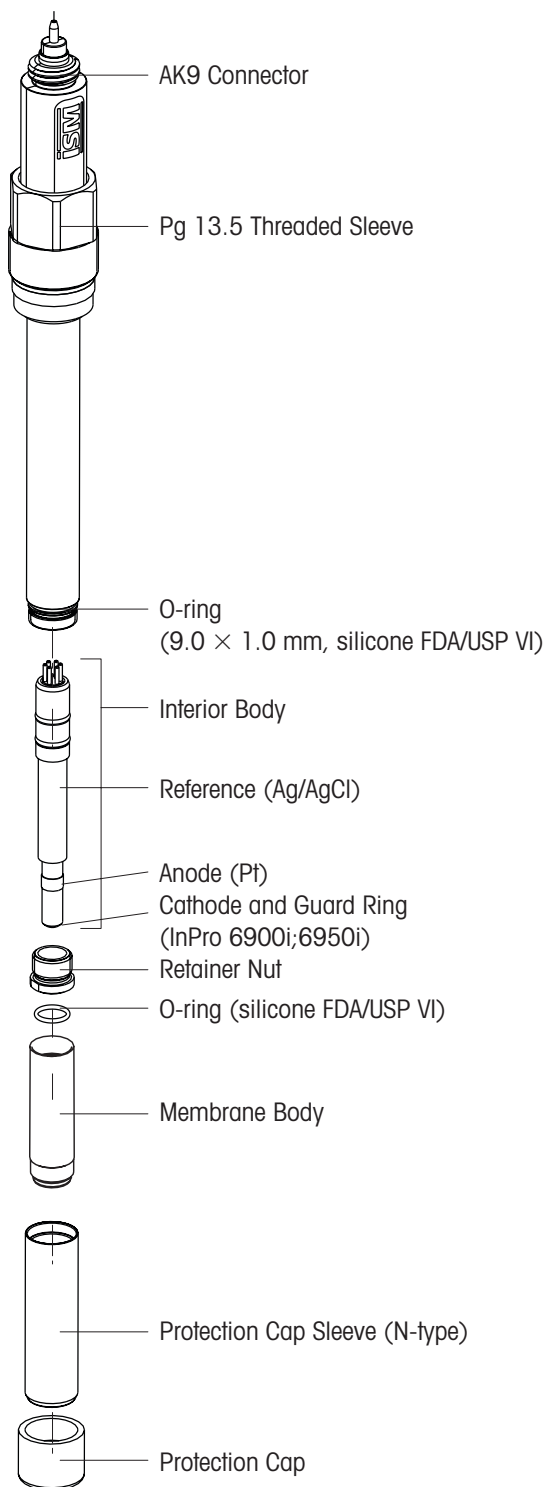
- a quality control certificate
- inspection certificates 3.1  
(complying with EN 10204)

METTLER TOLEDO ISM O<sub>2</sub> sensors are supplied with fitted membrane body but without electrolyte, covered with the protection cap. They have been checked for proper function. See electrolyte order details at section „Spare Parts“, 9.3.

Digital sensors must be filled with electrolyte before start-up.

### 3.4 Equipment features

#### 12 mm sensor



METTLER TOLEDO ISM O<sub>2</sub> sensors are supplied with fitted membrane body but without electrolyte and covered with the protection cap and have been checked for proper function.

## 4 Installation

### 4.1 Mounting the sensor



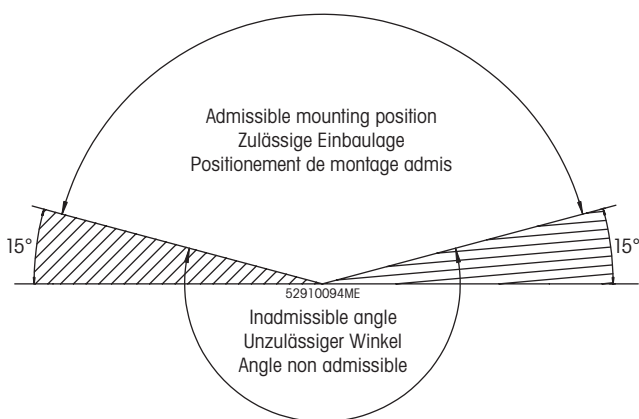
**Important! Remove the protection cap before mounting the sensor.**

#### **Mounting the sensor in a housing**

Please refer to the instruction manual of your housing explaining on how to mount the sensor in place.

#### **Mounting the sensor directly on a pipe or a vessel**

The 12 mm sensors can be mounted directly through a socket with inside thread Pg 13.5 and securely tightened via the Pg 13.5 threaded sleeve.



### 4.2 Connection

#### 4.2.1 Connecting the sensor to a AK9 cable

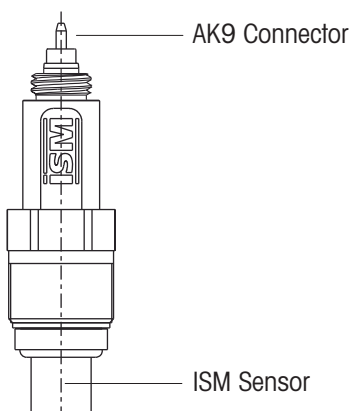
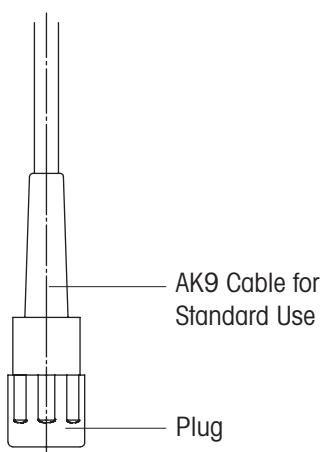


The sensor is connected to the transmitter via a AK9 cable. The AK9 cable ensures a secure connection between the transmitter and the sensor under harsh industrial conditions. The robust watertight IP 68 connector housing guarantees maximum process safety.

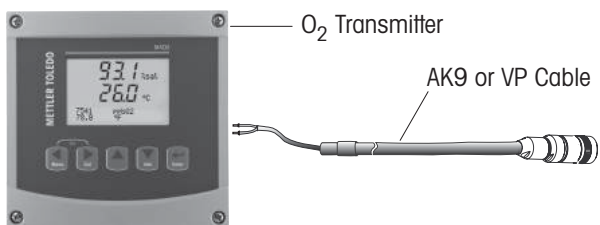


**Do not touch the sensor at the AK9 connector plug!**

Tightly screw the plug to fasten the two parts.



#### 4.2.2 Connecting the AK9 cable to the transmitter



**Note:** For connecting the AK9 cable to the terminals of the transmitter, please refer to the instructions given in the METTLER TOLEDO transmitter manual.



## 5 Operation



**Important! Before using the sensors for the first time, the electrolyte must be filled in (see "Chapter 6.2").**

### 5.1 Start-up and polarizing



**Important! The protection cap must be removed before mounting the sensor in the process.**

When the system is operated for the first time or if the sensor has been disconnected from the voltage source (transmitter or O<sub>2</sub> sensor master) for longer than 5 minutes, the sensor has to be polarized prior to calibration by connecting it to the operating O<sub>2</sub> transmitter or to a sensor master. After 6 hours, the sensor is fully polarized and ready for operation.



**Attention: The InPro 6950 i should never be polarized at air!**

During this time, it is recommended to keep the protection cap filled with fresh conditioning solution on the sensor (see "Section 7 – Storage"), especially if the sensor is being polarized for longer than 6 hours.

A shorter polarization period is sufficient if the sensor has been disconnected for only a few minutes. The following table serves to establish the correct polarization time in relation to the depolarization time.

<b>Depolarization time<sup>1</sup> t<sub>depol</sub> [Min.]</b>	<b>Minimum required polarization time<sup>2</sup> [Min.]</b>
> 30	360
15 to 30	6 × t <sub>depol</sub>
5 to 15	4 × t <sub>depol</sub>
< 5	2 × t <sub>depol</sub>

- 1** Depolarization time: Time span in which the polarization voltage is cut off from the sensor. This is the case:
  - during the time the cable is disconnected or no transmitter or sensor master is connected to the cable, or the transmitter has been disconnected from the current supply.
  - after changing the electrolyte or membrane body. In this case at least 6 hrs of polarization must follow.
- 2** Polarization time: Time span during which the sensor is under a polarization voltage.



**Important! Setting of the polarization voltage on the transmitter for correct measurements:**

- Standard applications InPro 6850 i: –675 mV

- Measurement of permanently low oxygen concentrations (< 500 ppb in liquids or < 10,000 ppm [vol.] in gases) in the presence of volatile acidic components (e.g. carbon dioxide during measurements in breweries) e.g. InPro 6900i/6950i: **-500 mV**



**Note: To ensure the supply of the correct polarization voltage the transmitter must be set accordingly.**

## 5.2 Calibration

### 5.2.1 Purpose of calibration

Each oxygen sensor has its own individual slope and own individual zero point. Both values are subject to change, for example, through electrolyte consumption or after exchange of electrolyte or membrane body. To ensure high measurement accuracy of the sensor, a calibration must be carried out regularly, but at least after each change of electrolyte or membrane. Prior to calibration, the sensor has to be polarized for at least 6 hours.



**Please remove the protection cap from the sensor, rinse the sensor with water and dry it for at least 10 minutes before starting calibration.**



**To check if your sensor needs a recalibration, you may dry it and take it in the air to check that the reading is close to 100 %. If not, then the sensor needs a new calibration.**

With ISM sensors all calibration data are stored in the sensor.

### 5.2.2 What you have to know for calibration

Calibration is generally carried out at the polarization voltage at which measurements are taken.

Zero-point calibration is recommended:

- when measuring less than 5 ppb in liquids
- when measuring less than 125 ppm (by vol.) in gases



**General remarks:**

- **For calibration in air, the sensor membrane must be dry**, since adhering water drops can falsify the measured oxygen value.
- Make sure that the **oxygen saturation index** of the calibration medium is **correct and remains constant** during calibration.
- In the event of calibration in water or sample medium, the **calibration medium must be in equilibrium with the air**. Oxygen exchange between water and air is only very slow. Therefore it takes quite long time until water is saturated with atmospheric oxygen.

- For correct calibration, a minimum flow rate of the calibration medium is necessary.
- Make sure that all other parameters, such as temperature and pressure, are constant.

For continuous applications, we recommend **periodic recalibration in line with your requirements on accuracy, the type of process in operation and your own experience**. The frequency of the need for re-calibration depends very much on the specific application, and therefore appropriate intervals cannot be exactly defined here.

### 5.2.3 Single point calibration

By carrying out a single point calibration, the factual slope of the sensor can be established. The calibration medium can be water with known oxygen saturation index (e.g. air-saturated water) or air with known water-vapor saturation (e.g. water-vapor saturated air).

After the sensor signal has stabilized, the complete measuring system can then be calibrated to the 100 % value of the desired measurable variable, e.g. 100 % air, 20.95 % O<sub>2</sub>, or 8.26 ppm at 25 °C (77 °F) and normal pressure (see instruction manual for the transmitter).

### 5.2.4 Dual point calibration

By carrying out a dual point calibration both slope and zero point of the sensor can be established.



**Important! In case of a dual point calibration, always start by the zero point calibration before calibrating the slope.**

As a rule, the zero point should be adjusted to zero manually, or it is automatically performed by the transmitter (see instruction manual for the transmitter).

Zero-point calibration is recommended:

- when measuring less than 5 ppb in liquids
- when measuring less than 125 ppm (by vol.) in gases



**Attention! Incorrect zero point calibration is a frequent source of measurement error. For correct calibration, we recommend the use of carbon dioxide gas with a level of purity of at least 99.9995 %.**

After the sensor signal has stabilized (after **6 ... 12 hours**), the sensor can be calibrated through the relevant transmitter to the zero % value of the desired measurable variable, e.g. 0 % air, 0.0 % O<sub>2</sub>, or 0.0 ppm (see instruction manual for the transmitter).

## 6 Maintenance

### 6.1 Inspection of the sensor

#### 6.1.1 Visual inspection

To check your sensor, we recommend the following procedure:

- The contacts of the connector must be dry. Moisture, corrosion and dirt in the connector can lead to false readings.
- Check the cable for buckling, brittle areas or ruptures.
- Before calibration always examine the membrane foil optically for signs of damage. The foil must be intact and clean. Dirty membranes should be wiped clean using a soft, moist tissue.



**Note: An undulated membrane has no influence on the sensor performance, assuming the membrane is intact.**

- The membrane body must be replaced if the sensor has too long a response time, the reading is unstable or subject to drift, and if the sensor cannot be calibrated or the membrane shows sign of mechanical damage.
- Check the cathode area for discoloration, contamination or cracks in the glass. If necessary rinse with demineralized water and clean with a clean soft brush or soft paper tissue.



**Attention! Do not use any cleaning agents containing alcohol. This could damage the sensor or lead to fault current.**

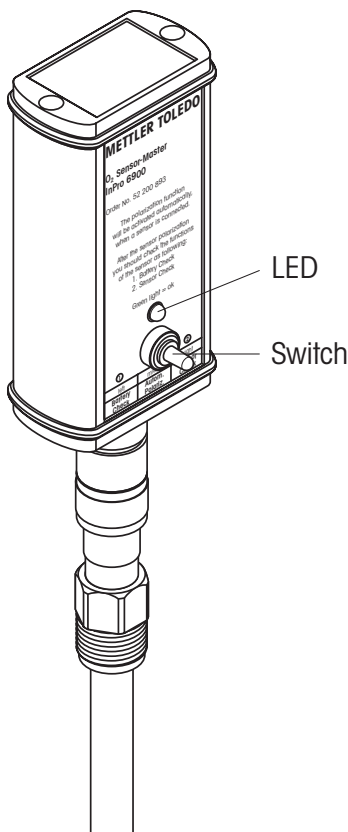


**Attention! The glass body is fragile and sensitive to vibration.**

### 6.1.2 Testing the METTLER TOLEDO O<sub>2</sub> sensor master

We recommend to use the METTLER TOLEDO O<sub>2</sub> sensor master to check the quality of your sensor as follows:

- **Connect the sensor to the O<sub>2</sub> sensor master.**



As soon as the sensor is connected to the O<sub>2</sub> sensor master, the polarization function is automatically activated. Please note: if the sensor was disconnected from the transmitter for longer than 5 minutes, the sensor must be polarized first (polarizing time see "Section 5.1") to get representative test results.

- **Battery Check:**  
Push the switch to the left. If the battery is ok and the O<sub>2</sub> sensor master is operational the green LED lights up. Otherwise, please consult the instruction manual of the O<sub>2</sub> sensor master.
- **Sensor Check:**  
For this test the O<sub>2</sub> sensor must be fully polarized and the membrane of the sensor must be dry and clean.

Expose the sensor (connected to O<sub>2</sub> sensor master) to the air. By pushing the switch to the right to the position "2 – Sensor check", the O<sub>2</sub> sensor master checks whether the electrode current for air measurement delivered by the sensor is within the admissible range, i.e. 2500 to 6000 nA for InPro 6950.

If the green LED lights up the current for air measurement is within the admissible range.

If the LED does not light up, you should check the battery of the O<sub>2</sub> sensor master (see instruction manual "Accessories"). If the battery is working, than there is probably a problem with your sensor. You should change the electrolyte and/or the membrane body of your sensor. If after a membrane change the LED still does not light up, this means that there is maybe something wrong with the interior body of the sensor. You should then change it (see "Section 6.2").



**Important! The Sensor Check function only verifies the correctness of the electrode current for air measurement. In order to be absolutely sure of the functionality of the sensor, the residual signal in an oxygen free medium should also be controlled (see "Section 6.1.3").**

### 6.1.3 Testing the sensor via a transmitter

A periodic zero current measurement (**no zero point calibration!**) is recommended for verification of proper sensor function.



**Note: At the time you carry out the zero current measurement, the sensor must be polarized.**

Zero current measurement can be done by using zeroing gel (order no. 30 300 435) or nitrogen (N<sub>2</sub>) or carbon dioxide (CO<sub>2</sub>) calibration gases with a purity of at least 99.995 %, alternatively in a sample medium saturated with one of these gases.

After 2 minutes in an oxygen-free sample medium, the reading on the transmitter should drop to below 10 % of the reading in ambient air, and within 10 minutes the value should have dropped to below 1 %.

If the measured values are too high, this suggests a depleted electrolyte or a defective membrane. In the first instance replace the electrolyte, and in the second case exchange both the membrane body and the electrolyte accordingly.

If after such procedures the above mentioned values are still not reached, replace the interior body. If this doesn't solve the problem too send the sensor to your local METTLER TOLEDO representative for inspection.

Many sample media contain volatile substances which, even at very low concentrations, have a clearly perceptible smell. Similarly to oxygen, these substances are able to invade the electrolyte through the gas-permeable membrane. Accordingly, they become noticeable when changing the electrolyte. In most cases, such substances have absolutely no

influence on the measuring properties of the sensor. Slight discoloration of the electrolyte also has no effect on the measuring properties.

#### 6.1.4 ISM design

The integrated ISM functionality allows an extensive monitoring of the sensor. The following parameters are stored in the sensor:

- serial no.
- type of sensor
- order no.
- calibration data
- CIP/SIP counter
- slope
- zero point

When starting the following automatic test procedures are implemented:

- digital communication
- plug & measure
- pre-calibration
- predictive maintenance

## 6.2 Changing the electrolyte, the membrane body or the interior body



**Note: The InPro 6900 i and 6950 i use a special electrolyte which contains an oxygen scavenger. This electrolyte ensures fast response time and together with the guard ring increases the signal stability of the sensor. The electrolyte must be exchanged on a regular basis or when the sensor has been exposed to the air for more than 24 hours without a watering cap filled with conditioning solution.**



**Note: The content of the electrolyte bottle has to be used within 3 months after opening.**

If the membrane and/or the interior body exhibits signs of failure (long response time, increased current in an oxygen-free medium, mechanical damage, etc.) the membrane body and/or the interior body has to be replaced.



**Warning! The O<sub>2</sub> electrolyte has an alkaline pH value. Contact of electrolyte with mucous membrane or eyes is to be avoided. Therefore protective gloves and safety glasses have to be worn for the following dismantling works. If such contact occurs, the affected area should be well rinsed with water. In the case of accident, or should ever any adverse signs appear, get immediate medical attention.**

When changing the electrolyte, the membrane body or the interior body, please observe the following instructions (see also the following illustration):



**Attention! Make sure that this maintenance step is carried out in clean place.**

1. Unscrew the cap sleeve from the sensor shaft and carefully pull it off the sensor.
2. Pull off the membrane body from the interior body. If it is tight-fitted, eject by pushing it with the flat finger tip. Before electrolyte is refilled, the membrane body must be removed from the cap sleeve!
3. Rinse the interior body with demineralized water and carefully dab it dry with a paper tissue.



**Note: steps 4 to 7 may only be carried out when changing the interior body.**

4. Unscrew the retainer nut of the interior body with an adjustable wrench or with a 9 mm wrench.
5. Remove the interior body by pulling it out of the sensor shaft. If necessary use a plier.

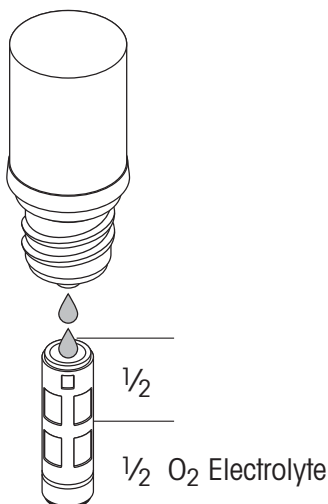


**Warning! Do not twist the interior body. Otherwise the connection pins can be damaged.**


6. Insert the new interior body in the sensor shaft. Turn the interior body in the shaft until the slit of the interior body is aligned with the pin placed in the shaft.
7. Press the body in the shaft and screw the new retainer nut in place.
8. Examine the O-rings visually for mechanical defects, and replace if necessary.
9. Half-fill the new membrane body with O<sub>2</sub> electrolyte.




**Note: The electrolyte bottle is equipped with a special pouring system. To ensure proper functioning, hold the bottle vertically, upside-down.**





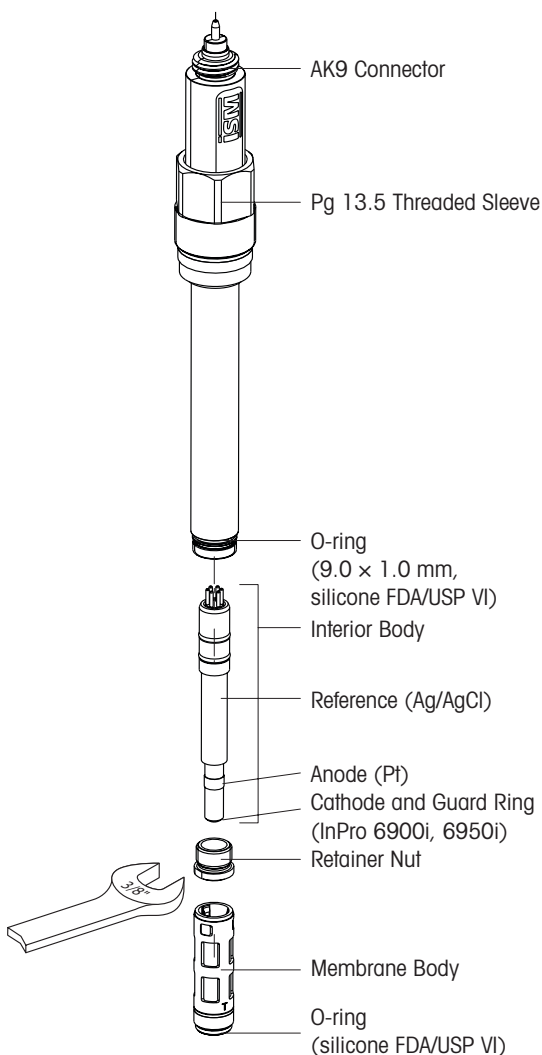
 **Note: make sure that all air bubbles are removed from the membrane body. Air bubbles can be removed by carefully tapping on the membrane body.**

10. Slip the membrane body over the interior body while holding the sensor in a vertical position. The excess electrolyte will be displaced and have to be removed with a paper tissue.

 **Important! No electrolyte, sample media or contamination may be present between the membrane body and the cap sleeve. Please check carefully!**

11. Carefully slip the cap sleeve over the fitted membrane body, holding the sensor in a vertical position and screw it tight. The cap sleeve must be clean and dry.
12. After each exchange of electrolyte or membrane body, the sensor has to be repolarized and recalibrated.

### Replacement of the interior body



## 7 Storage

For storage periods longer than 24 hours, we recommend you to use a protection cap filled with the same cleaning and conditioning solution as that used for our portable DO measurement system (order no. 52 200 255). This solution contains an oxygen scavenger which ensures that the electrolyte of the sensor does not come into contact with oxygen when not in use.

When the sensor is stored without polarization for more than one week, the electrolyte has to be removed.

Prepare the cleaning and conditioning solution as follows: Dissolve one tablet in 40 ml of deionized water and wait 5 minutes for the tablet to be completely dissolved. Fill the protection cap with this solution and place it over the tip of the sensor. This solution has some cleaning properties which will keep the membrane free of microorganisms. In case you do not have any cleaning and conditioning set, you may also use checking gel or deaerated water in the protection cap. Before mounting the sensor in the process, always remove the protection cap and rinse the tip of the sensor with water.



**Attention! If the storage period of the sensor without current supply (transmitter, sensor master) exceeds 1 week, the sensor should be stored dry, i.e. without any electrolyte in the membrane body. A sensor being stored dry (without electrolyte in the membrane body) may on no account be connected to the O<sub>2</sub> sensor master or any other polarization module.**

## 8 Product specification

### 8.1 Certificates

Each sensor is delivered with a set of **3.1 certificates** (complying with EN 10204).

All wetted metal parts (sensor shaft, cap sleeve and membrane body) are identified with an engraved symbol corresponding to the heat number on the paper certificate delivered with the sensor.

Each wetted metal part (sensor shaft, cap sleeve and membrane body) is polished in order to get a surface roughness lower than 0.4 µm (16 µin). This represents a roughness grade number of N5 (according to ISO 1320:1992).

## 8.2 Specifications

<b>InPro 6850i/6900i/6950i</b>	
<b>Measurement principle</b>	Polarographic Clark electrode
<b>Working conditions</b>	
Pressure resistance (measurement)	6850i: 0.2 ... 6 bar 6900i: 0.2 ... 6 bar (9 bar with T-6900R) 6950i: 0.2 ... 6 bar
Mechanical pressure resistance	Max. 12 bar
Temperature range (measurement)	0 ... 80 °C (32 ... 176 °F)
Temperature range (mechanical)	6850i: -5 ... 140 °C (23 ... 284 °F) 6900i: -5 ... 121 °C (23 ... 249.8 °F) [sterilizable and autoclavable] 6950i: -5 ... 121 °C (23 ... 249.8 °F) [sterilizable]
<b>Construction</b>	
Temperature compensation	Automatic
Cable connection	AK9
O-ring material	Silicone FDA and USP Class VI approved
Membrane material	PTFE/Silicone/PTFE (reinforced with steel mesh)
Material sensor body (wetted parts)	316L stainless steel
Surface roughness of wetted metal parts	N5 (R <sub>a</sub> = 0.4 µm [16 µin])
Quick disconnect interior body	Standard
Cathode	Pt
Anode	6850i: Pt 6900i: Ag 6950i: Pt
Guard ring	6850i: - 6900i: Pt 6950i: Pt
Reference	Ag
<b>Dimensions</b>	
Sensor diameter	6850i: 12/25 mm 6900i: 12 mm 6950i: 12 mm
Immersion length (a) for 12 mm sensor	6850i/6900i: 70, 120, 220, 320, 420 mm (2.8, 4.7, 8.66, 12.6, 16.5") 6950i: 70, 120, 220, 320 mm (2.8, 4.7, 8.66, 12.6")
Immersion length (a) for 25 mm sensor	6850i: 80, 160, 260, 360 mm (3.2, 6.3, 10.2, 14.2") 6900i: - 6950i: -
<b>Performance</b>	
Detection limit	6850i: 6 ppb to saturation 6900i: 1 ppb to saturation 6950i: 0.1 ppb to saturation
Accuracy	6850i: ≤ ± (1 % + 6 ppb) 6900i: ≤ ± (1 % + 1 ppb) 6950i: ≤ ± (1 % + 0.1 ppb)
Response time at 25 °C/77 °F	98 % of final value in < 90 s

Sensor signal in ambient air at 25 °C/77 °F	6850i: 50 ... 110 nA 6900i: 250 ... 500 nA 6950i: 2500 ... 5000 nA
Residual signal in oxygen-free medium	6850i: < 0.1 % of the signal 6900i: < 0.3 % of the signal 6950i: < 0.025 % of the signal

### Certification

EHEDG, 3A	Yes
3.1 B (EN 10204.3/1.B)	Yes
ATEX Certificate	6850i/6900i: Yes 6950i: Yes
FM Approval	6850i/6900i: Yes 6950i: Yes
FDA/USP VI	Yes
Quality Control	Yes

### Compatibility

with METTLER TOLEDO transmitters	see "Section 9.4"
with METTLER TOLEDO housings	see "Section 9.5"

## 9 Ordering information

For more detailed information refer to the technical data sheet. Ask your local distributor.

### 9.1 Sensors with ISM functionality

#### Ordering Information

– straight version	6850i	6900i	6950i
70 mm	52 206 118	52 206 316	52 206 127
120 mm	52 206 119	52 206 317	52 206 128
220 mm	52 206 120	52 206 318	52 206 129
320 mm	52 206 121	52 206 319	52 206 130
420 mm	52 206 122	–	–
– 25 mm version			
80 mm	52 206 123	–	–
160 mm	52 206 124	–	–
260 mm	52 206 125	–	–
360 mm	52 206 126	–	–

### 9.2 Accessories

Accessories	Order No.
O <sub>2</sub> sensor master digital ISM	52 206 329
Cables	
AK9 coax cable with K8S connector 1 m	59 902 167
AK9 coax cable with K8S connector 3 m	59 902 193
AK9 coax cable with K8S connector 5 m	59 902 213
AK9 coax cable with K8S connector 10 m	59 902 230
AK9 coax cable with K8S connector 20 m	52 300 204

### 9.3 Spare parts

Spare parts	Order No.
– InPro 6850 i	
Membrane body (single), T-96	52 200 071
Membrane kit T-96 (4 membranes, 1 O-ring set silicone, 25 ml of electrolyte, wetted parts SS 316L)	52 200 024
Membrane bodies (16 pcs), T-96	52 206 114
O <sub>2</sub> Electrolyte pack (3 × 25 ml)	30 298 424
Interior body (replacement), InPro 6850i	52 206 347
– InPro 6900 i	
Reinforced membrane body (single), InPro 6900 (T-6900R)	52 201 108
Reinforced membrane kit InPro 6900 (T-6900 R)	52 201 109
InPro 6900 electrolyte pack (3 × 5 ml)	30 298 425
Interior body (replacement), InPro 6900	52 200 943
– InPro 6950 i	
Membrane body (single)	52 206 105
Membrane kit (4 membranes, 1 O-ring set, 2 × 5 ml of electrolyte)	52 206 106
InPro 6950 electrolyte pack (3 × 5 ml)	30 298 426
Interior body (replacement), InPro 6950	52 206 112

## 9.4 Recommended transmitters

<b>Transmitters M700</b>	<b>Order No.</b>
Transmitter base, coated, M700C	52 121 171
Transmitter base, coated, Ex, VPW, M700XC/VPW	52 121 172
Transmitter base, coated, Ex, 24V, M700XC/24V	52 121 173
Transmitter base, stainless steel, M700S	52 121 174
Transmitter base, stainless steel, Ex, VPW, M700XS/VPW	52 121 175
Transmitter base, stainless steel, Ex, 24V, M700XS/24V	52 121 176

<b>Transmitter modules M700</b>	<b>Order No.</b>
ISM O <sub>2</sub> module 4700i	52 121 263
ISM O <sub>2</sub> module, Ex, 4700iX	52 121 263
ISM O <sub>2</sub> module 4700i ppb	52 121 265
ISM O <sub>2</sub> module, Ex, 4700iX ppb	52 121 266
ISM O <sub>2</sub> module 4700i traces	52 121 295
ISM O <sub>2</sub> module, Ex, 4700iX traces	52 121 294

<b>Transmitters M300D</b>	<b>Order No.</b>
M300i, ¼DIN, single-channel, multi-parameter	52 121 354
M300i, ½DIN, single-channel, multi-parameter	52 121 355
M300i, ¼DIN, dual-channel, multi-parameter	52 121 356
M300i, ½DIN, dual-channel, multi-parameter	52 121 357

<b>Transmitters M400</b>	<b>Order No.</b>
M400, type 1	52 121 348
M400, type 2	52 121 349
M400, type 3	52 121 350

For more information consult the "Parameter Fit Guide" below.

### Parameter Fit Guide for Transmitter M400

	<b>M400</b>	<b>M400</b>	<b>M400</b>
<b>Conventional sensors</b>	<b>Type 1</b>	<b>Type 2</b>	<b>Type 3</b>
pH/ORP	•	•	•
Cond 2-electrode	•	•	•
Cond 4-electrode	•	•	•
DO ppm	–	•	•
DO ppb	–	–	•
<b>ISM sensors</b>			
pH/ORP	•	•	•
Cond 2-electrode	•	•	•
Cond 4-electrode	•	•	•
DO ppm	–	•	•
DO ppm optical	–	–	•
DO ppb	–	–	•
DO traces	–	–	•

## 9.5 Recommended housings

### Housing (12 mm $\varnothing$ )

---

#### Static housing

---

InFit 761 CIP

---

#### Retractable housings

---

InTrac 777 e

---

InTrac 797 e

---

#### Immersion housing

---

InDip<sup>®</sup> 550

---



**Note: The housings are available in different versions. Please contact your local METTLER TOLEDO sales organization to get the correct ordering information.**

## 10 Theory of the polarographic sensor

### 10.1 Introduction

Two types of electrodes are employed in analytical work: **potentiometric** and **amperometric** electrodes.

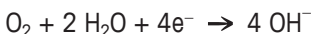
- **Potentiometric electrodes** develop a voltage generated by the activity of a particular ion. Examples of such electrodes are glass electrodes (like pH electrodes) and most ion-selective electrodes. Their individual potentials cannot be determined. The measurable quantity is the difference of potential between the measuring electrode and an inert reference electrode. The potential of the reference electrode must be constant.

All potentiometric electrodes are subject to Nernst's law and for this reason electrodes and measuring instruments are in most cases interchangeable. An important requirement of potentiometric measurements is the virtually currentless determination of the electrode voltage. During measurement no chemical reaction occurs and the solution remains in equilibrium.

- In the case of **amperometric electrodes**, such as the **oxygen electrode**, activity measurement is based on a current measurement.

**The conventional oxygen electrode consists of a cathode and an anode conductively connected by an electrolyte.** A suitable polarization voltage between the anode and the cathode selectively reduces the oxygen at the cathode.

**Cathode reaction:**



These chemical reactions result in an electric current which is proportional to the oxygen partial pressure ( $p_{\text{O}_2}$ ). The oxygen electrode reduces constantly oxygen. Thereby, the concentration of dissolved oxygen is reduced. By diffusion this oxygen is replaced. The viscosity and flow rate of the solution are therefore important parameters. The electrode current of an oxygen electrode is determined not only by the oxygen partial pressure but by many other electrode parameters. The electrode currents of different electrode types may differ by several powers of ten. For this reason oxygen electrodes and amplifiers cannot be freely interchanged.

### 10.2 Principle of the design of an oxygen electrode

There are two main types of oxygen electrodes:

- Electrodes **without** membrane
- Electrodes **with** gas-permeable membrane (Clark Principle)



The membrane electrode according to Clark is today most widely used. As compared to the electrode without membrane it possesses the following advantages:

- Oxygen measurement in gases and solutions
- No mutual contamination of electrode and solution
- No or little dependency on flow

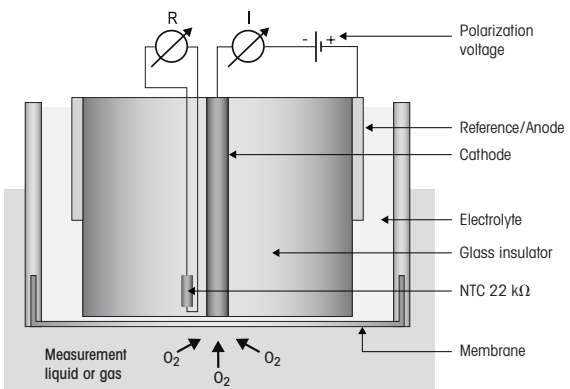
In the case of the Clark electrode, geometrical configuration is very important. In particular, the thickness of the electrolyte film between the cathode and the membrane must be within narrow tolerances so as to ensure good linearity and a low zero current (current in a nitrogen atmosphere).

METTLER TOLEDO oxygen sensors are available in different designs:

### Type A, 2-electrodes system, InPro 6800

InPro 6800 for medium and high oxygen concentrations. Cathode and anode/reference. Anode and reference are united in a silver/silver chloride electrode.

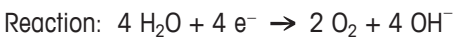
The following equilibration reaction takes place at the anode resp. reference:



### Type B, 3-electrodes system, InPro 6850 i

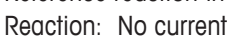
InPro 6850 i for medium and high oxygen concentrations. The reference corresponds to the conventional silver/silver chloride anode. The anode is a platinum electrode and separated from the reference.

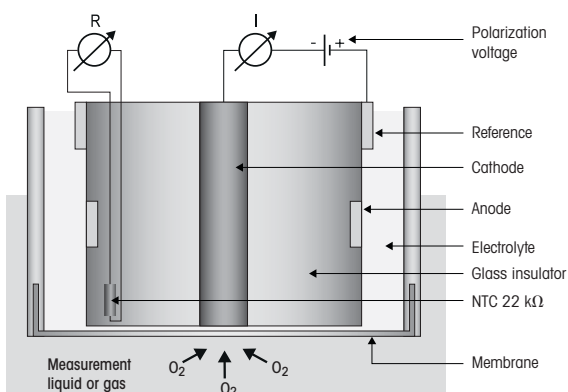
The following reaction takes place at the anode:



The reference is a silver/silver chloride electrode. After polarization there is a stable equilibrium between electrode surface and electrolyte. No net-reaction takes place.

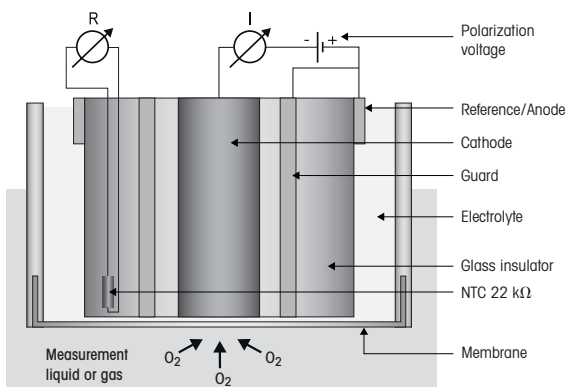
Reference reaction in equilibrium:





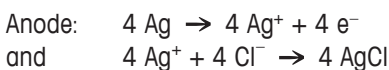
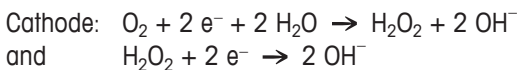
### Type C, 3-electrodes system, InPro 6900 (i)

InPro 6900 and InPro 6900i. For oxygen measurements in the lower ppb range. Here, the anode and reference are united in a silver/silver chloride electrode (as with type A). The sensors are equipped with an additional guard ring around the cathode. Like the cathode with the anode, this forms a closed electric circuit, which prevents that oxygen diffuses from the side to the cathode and falsifies the measurement result.

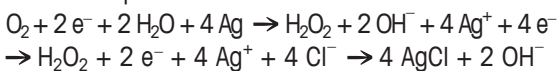


In all sensors the function of the cathode is identical.

Between cathode and reference a constant voltage of – 500 resp. – 675 mV (polarization voltage) is applied. Thereby a reduction of O<sub>2</sub> into OH<sup>-</sup> at the cathode takes place.



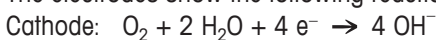
The total equation thus is:



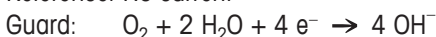
### Type D, 4-electrodes system, InPro 6950 (i)

The InPro 6950(i) is intended for measuring permanent low oxygen level down to 0.1 ppb. In terms of measurement principle it is a combination of the InPro 6850 i and InPro 6900(i). It consists of 4 electrodes. The anode (platinum) and reference (silver/silver chloride) are separated in two electrodes. A guard ring is placed around the cathode. The cathode has the highest diameter from all amperometric oxygen sensors from METTLER TOLEDO

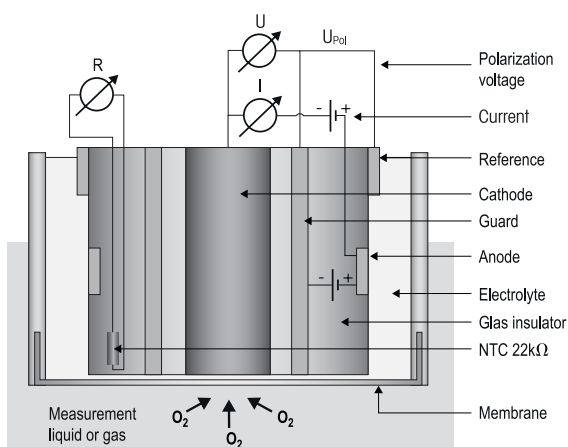
The electrodes show the following reactions:



Reference: No current



Due to the larger surface of the cathode a higher current appears during measurement. This allows for measurement of oxygen levels below 1 ppb.



As a consequence of the reaction at the cathode and the anode, a current flows between cathode and anode (4 electrons per oxygen molecule), which is proportional to the oxygen partial pressure at the cathode.

The amperage of the current flow depends on the surface of the cathode. Typical values are:

	<b>Air current</b>	<b>Zero current in % of the air current</b>
6800	50 – 110 nA	< 0.1
6850 (i)	50 – 110 nA	< 0.1
6900 (i)	250 – 500 nA	< 0.03
6950 i	2500 – 5000 nA	< 0.025

This current is measured and converted and indicated in the transmitter into an oxygen value. In ISM sensors this computation takes place in the sensor and the transmitters displays this value.

### 10.3 Parameters determining current

The quantity of oxygen diffused in and the magnitude of the electrode current are influenced by the following parameters:

- Oxygen partial pressure of the solution
- Membrane material and thickness
- Size of cathode
- Polarization voltage
- Temperature
- Flow conditions in the solution

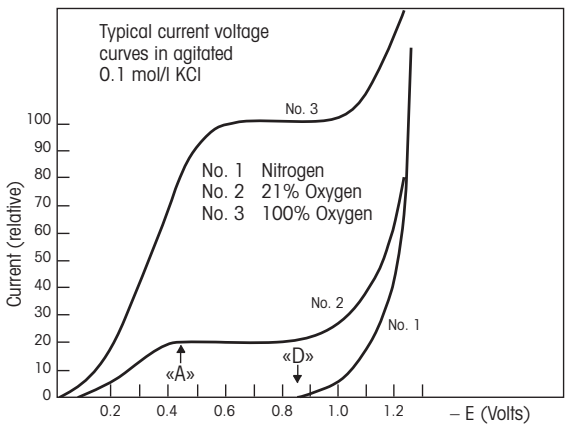
Fick's law gives the mathematical relationship between these parameters:

$$I = k \times D \times a \times A \times \frac{pO_2}{x}$$

- I = Electrode current
- k = Constant
- D = Coefficient of diffusion of O<sub>2</sub> in the membrane
- a = Solubility of O<sub>2</sub> in the membrane material
- A = Cathode surface
- pO<sub>2</sub> = Oxygen partial pressure in the solution
- x = Thickness of gas-permeable membrane

### 10.4 Polarization voltage

The voltage between the anode and the cathode is so selected that the oxygen is fully (> A, see polarogram) reduced while other gases are unaffected (< D). The ideal voltage for the Pt/Ag/AgCl or Pt/Pt/Ag/AgCl system is between –500 and –750 mV.



The polarization voltage should remain as constant as possible. Besides a constant source of voltage the following prerequisites must be met: The electrical resistance of electrolyte film must not exceed a particular value so as to avoid a voltage drop.

The anode must have a large surface so as to prevent polarization of the anode by the electrode current.

## 10.5 Temperature

The temperature dependence of the current passing through an oxygen electrode when referred to a constant O<sub>2</sub> partial pressure is determined mainly by the properties of the gas-permeable membrane.

## 10.6 Dependence on flow

With most oxygen electrodes the electrode current is smaller in stagnant solutions than in agitated ones. In consequence of the oxygen consumption of the electrode, a reduction of oxygen takes place outside the membrane in close proximity to the cathode. The missing oxygen is replaced by diffusion. If the electrode current is strong, the solution cannot fully restore the reduced oxygen by diffusion. This results in an electrode current weaker than would correspond to conditions in the solution. In agitated solutions the oxygen is conveyed to the surface of the membrane not only by diffusion but additionally by the flow (convection). In that case no oxygen impoverishment occurs at the membrane surface.

A high degree of flow dependence occurs mainly with large cathodes, thin and highly permeable membranes, i.e. where electrode currents are large.

The problem of flow dependence is often solved by prescribing a minimum flow rate.

In METTLER TOLEDO InPro 6950 electrodes, the thin PTFE membrane determining the electrode current (i.e. the actual measuring signal) is separated from the sample solution by a relatively thick silicone membrane. This latter is highly permeable to oxygen molecules and thus acts as an oxygen reservoir. The diffusion of oxygen out of the sample solution into the silicone membrane is spread over a wide area. Since this results in less oxygen being extracted from the sample solution per unit area, the double PTFE/silicone membrane forms an effective buffer against disturbances due to hydrodynamic flow.

This membrane coupled with the guard ring and the special electrolyte ensures excellent signal stability even when the hydrodynamic flow stops (as on a beer filling line for example).

## 10.7 Oxygen partial pressure – oxygen concentration

The electrode current is dependent on the partial pressure of oxygen and the oxygen permeability of the membrane. Conversion of partial pressure into concentration of oxygen depends on the measurement medium (measurement in liquids or gases).

### Measurement in liquids

When measuring in liquids, the concentration of oxygen also depends on the solubility of the oxygen

in the measurement medium. However, since this is not measured by the sensor current, the concentration of oxygen must be calculated in the transmitter. To do this, Henry's law is applied which states that the concentration of oxygen is proportional to the partial pressure of oxygen ( $pO_2$ ).

$$CI = pO_2 \times \alpha$$

$\alpha$  = Solubility factor

If " $\alpha$ " is constant, the oxygen concentration can be determined by means of the electrode. This applies at constant temperature and with dilute aqueous solutions such as drinking-water.

The solubility factor is strongly influenced not only by the temperature but also by the composition of the solution:

<b>Medium, saturated with air</b>	<b>Solubility at 20 °C (68 °F) and 760 mm Hg</b>
Water	9.2 mg O <sub>2</sub> /l
4 mol/l KCl	2 mg O <sub>2</sub> /l
50 % Methanol-water	21.9 mg O <sub>2</sub> /l

Although the solubilities vary widely, the oxygen electrode gives the same reading in all three solutions.

Thus, determination of the oxygen concentration is only possible with constant and known solubility factors " $\alpha$ ".

Solubility may be determined by a Winkler titration or the method developed by Käppeli and Fiechter.

### Measurement in gases

The concentration of oxygen when measuring in gases is always given as a proportion by volume of the gas composition. Common units are % (by vol.) ppm (by vol.).

They can simply be converted from one unit of measurement to the other.

Example:

The percent by volume of the composition of air is generally known. For example, air contains 20.95 % oxygen. This corresponds to 209,500 ppm (by vol.). (Conversion: ppm value = 10,000 × value in %)

### References

- W. M. Krebs, I. A. Haddad *Develp. Ind. Microbio.*, 13, 113 (1972)
- H. Bühler, *W. Ingold GIT* 20, 977 (1976)
- W.M. Krebs, *MBAA Techn. Quart.* 16, 176 (1975)
- D.P. Lucero, *Anal. Chem.* 40, 707 (1968)



# **O<sub>2</sub>-Sensoren**


## **InPro 6850 i, 6900 i & 6950 i**

### **Bedienungsanleitung**

InDip, InFit, InPro, ISM und InTrac sind eingetragene Warenzeichen der Mettler Toledo Gruppe in der Schweiz und weiteren zwölf Ländern.



# Inhalt

<b>1</b>	<b>Einleitung</b>	<b>42</b>
<b>2</b>	<b>Wichtige Hinweise</b>	<b>43</b>
2.1	Hinweise zur Bedienungsanleitung	43
2.2	Bestimmungsgemässe Verwendung	43
2.3	Sicherheitshinweise	44
2.4	Einige typische Applikationsbeispiele	45
2.5	Einsatz im Ex-Bereich	45
2.6	Ex-Klassifikation ATEX	46
2.6.1	Einleitung	46
2.6.2	Nenndaten	46
2.6.3	Besondere Bedingungen	47
2.7	 Ex-Klassifikation FM	48
<b>3</b>	<b>Produktbeschreibung</b>	<b>49</b>
3.1	Allgemein	49
3.2	Funktionsprinzip	49
3.3	Lieferumfang	50
3.4	Produktübersicht	51
<b>4</b>	<b>Installation</b>	<b>52</b>
4.1	Einbau des Sensors	52
4.2	Sensor anschliessen	52
4.2.1	AK9-Kabel an den Sensor anschliessen	52
4.2.2	Anschluss des AK9-Kabels am Transmitter	53
<b>5</b>	<b>Betrieb</b>	<b>54</b>
5.1	Inbetriebnahme und Polarisierung	54
5.2	Kalibrierung	55
5.2.1	Zweck der Kalibrierung	55
5.2.2	Was müssen Sie bei der Kalibrierung beachten	55
5.2.3	Einpunktkalibrierung	56
5.2.4	Zweipunktkalibrierung	56
<b>6</b>	<b>Wartung</b>	<b>57</b>
6.1	Kontrolle des Sensors	57
6.1.1	Visuelle Kontrolle	57
6.1.2	Kontrolle des Sensors mit dem METTLER TOLEDO O <sub>2</sub> Sensor-Master	58
6.1.3	Kontrolle des Sensors mit dem Transmitter	59
6.1.4	ISM-Ausführung	60
6.2	Ersetzen des Elektrolyten, des Membrankörpers oder des Innenkörpers	60
<b>7</b>	<b>Lagerung</b>	<b>63</b>
<b>8</b>	<b>Produktspezifikationen</b>	<b>63</b>
<b>8.1</b>	<b>Zertifikate</b>	<b>63</b>
8.2	Technische Daten	64
<b>9</b>	<b>Bestellinformationen</b>	<b>66</b>
9.1	Sensoren mit ISM-Funktionalität	66
9.2	Zubehör	66
9.3	Ersatzteile	66
9.4	Empfohlene Transmitter	67
9.5	Empfohlene Armaturen	68
<b>10</b>	<b>Theorie der polarographischen Sensoren</b>	<b>69</b>
10.1	Einführung	69
10.2	Prinzipieller Aufbau von Sauerstoffelektroden	70
10.3	Einflussgrössen auf den Elektrodenstrom	73
10.4	Polarisationsspannung	74
10.5	Temperatur	74
10.6	Strömungsabhängigkeit	74
10.7	Sauerstoffpartialdruck – Sauerstoffkonzentration	75

## 1 Einleitung

Wir danken Ihnen, dass Sie einen **InPro® 6850 i/6900 i/6950 i Sensor von METTLER TOLEDO** erworben haben.

Die Sensoren der InPro-Serie sind nach dem heutigen Stand der Technik und den zur Zeit anerkannten sicherheitstechnischen Regeln gebaut. Dennoch können bei unsachgemässer Anwendung Gefahren für den Anwender oder Dritte und/oder Beeinträchtigungen der Anlage und anderer Sachwerte entstehen.



**Die vorliegende Bedienungsanleitung muss deshalb vor Beginn von Arbeiten an den Sensoren von den betreffenden Personen gelesen und verstanden werden.**

Bitte bewahren Sie die Bedienungsanleitung an einem sicheren Ort auf, wo sie für jeden Anwender jederzeit zur Hand ist.

Wenn Sie Fragen haben, die in dieser Bedienungsanleitung nicht oder nicht ausreichend beantwortet werden, nehmen Sie bitte mit Ihrem METTLER TOLEDO Vertreter Kontakt auf. Er wird Ihnen gerne weiterhelfen.

## 2 Wichtige Hinweise

### 2.1 Hinweise zur Bedienungsanleitung

Die vorliegende Bedienungsanleitung enthält alle Angaben, um den Sensor InPro 6850 i/6900 i/6950 i sicher, sachgerecht und bestimmungsgemäss einzusetzen.

Die Bedienungsanleitung richtet sich an das mit der Bedienung und der Instandhaltung der Sensoren betraute Personal. Es wird vorausgesetzt, dass diese Personen Kenntnisse der Anlage besitzen, in der die Sensoren eingebaut sind.

#### Warnhinweise und Symbole

In dieser Bedienungsanleitung werden Sicherheitshinweise und Zusatzinformationen mit folgenden Piktogrammen gekennzeichnet:



**Dieses Piktogramm kennzeichnet Sicherheits- und Gefahrenhinweise, deren Missachtung zu Personen und/oder Sachschäden führen kann.**



**Dieses Piktogramm kennzeichnet Zusatzinformationen und Anweisungen, deren Missachtung zu Defekten, ineffizientem Betrieb oder zum Ausfall der Produktion führen kann.**

### 2.2 Bestimmungsgemässe Verwendung

**METTLER TOLEDO InPro 6850 i/6900 i/6950 i Sensoren dienen zur Inline-Messung des Sauerstoffpartialdrucks in Flüssigkeiten und Gasen gemäss den Angaben in dieser Bedienungsanleitung.**

Eine andere oder darüber hinausgehende Benutzung, als in dieser Bedienungsanleitung beschrieben, gilt als nicht bestimmungsgemäss.

Für hieraus resultierende Schäden haftet der Hersteller/Lieferant nicht. Das Risiko trägt allein der Anwender.

Zur bestimmungsgemässen Verwendung gehören des Weiteren:

- Die Beachtung der Anweisungen, Vorschriften und Hinweise in der vorliegenden Bedienungsanleitung.
- Die regelmässige Inspektion, Wartung und Funktionsprüfung der eingesetzten Komponenten liegt in der Verantwortung des Anwenders. Die Beachtung der lokalen Vorschriften zur Arbeits- und Anlagensicherheit sind dabei einzuhalten.
- Die Einhaltung aller Hinweise und Warnvermerke in den Publikationen zu den Produkten, die zusammen mit dem Sensor verwendet werden (Armaturen, Transmitter etc.).
- Die Einhaltung aller Sicherheitsvorschriften der Anlage, in die der Sensor eingebaut wird.

- Der korrekte Betrieb unter Beachtung der vorgeschriebenen Umwelt- und Betriebsbedingungen und der zulässigen Einbaulagen.
- Bei Unklarheiten soll unbedingt Rücksprache mit Mettler-Toledo Process Analytics genommen werden.

## 2.3 Sicherheitshinweise



- Der Anlagenbetreiber muss sich über eventuelle Risiken und Gefahren seines Prozesses bzw. Anlage bewusst sein. Der Anlagenbetreiber ist verantwortlich für die Ausbildung des Betriebspersonals, für die Kennzeichnung möglicher Gefahren und für die Auswahl geeigneter Instrumentierung anhand des Stands der Technik.
- Das Betriebspersonal, welches an der Inbetriebsetzung, Bedienung oder Wartung dieses Sensors oder eines seiner Zusatzprodukte (Armaturen, Transmitter etc.) beteiligt ist, muss zwingend in den Produktionsprozess und die Produkte eingewiesen sein. Dazu gehört auch das Lesen und Verstehen dieser Betriebsanleitung.
- Die Sicherheit von Betriebspersonal und Anlagen liegt schlussendlich in der Verantwortung des Anlagenbetreibers. Dies gilt insbesondere für Anlagen in explosionsgefährdeten Bereichen.
- Der eingesetzte Sauerstoffsensor und zugehörige Komponenten haben keinen Einfluss auf den Prozess und können diesen nicht im Sinne einer Regelung oder Steuerung beeinflussen.
- Wartungs- und Serviceintervalle hängen von den Einsatzbedingungen, der umgebenen Substanzen, der Anlage und der Sicherheitsrelevanz des Messsystems ab. Kundenprozesse variieren stark, so dass Angaben, soweit diese vorgegeben sind, nur als Richtwerte dienen und in jedem Fall durch den Anlagenbetreiber verifiziert werden müssen.
- Werden bestimmte Schutzmassnahmen wie Schlösser, Beschriftungen oder redundante Messsysteme gefordert, müssen diese vom Anlagenbetreiber vorgesehen werden.
- Ein defekter Sensor darf weder montiert noch in Betrieb genommen werden.
- Am Sensor dürfen nur Wartungsarbeiten durchgeführt werden, die in dieser Bedienungsanleitung beschrieben sind.
- Verwenden Sie für den Austausch von defekten Komponenten ausschliesslich METTLER TOLEDO Originalersatzteile (siehe «Kapitel 9.3, Ersatzteile»).
- An den Sensoren und den Zubehörteilen dürfen keine Änderungen vorgenommen werden. Für Schäden aufgrund von unerlaubten Änderungen haftet der Hersteller/Lieferant nicht. Das Risiko trägt allein der Anwender.

## 2.4 Einige typische Applikationsbeispiele

Die folgende Aufzählung zeigt einige typische, nicht abschliessende, Applikationsbeispiele für den Einsatz des Sauerstoffsensors.

### Messung in Flüssigkeiten:

- Biotechnologie
- chemische Applikationen
- Brauereien
- Getränkefiltration
- Getränkeabfüllung

### Messung in Gasen:

- CO<sub>2</sub>-Rückgewinnung
- CO<sub>2</sub>-Reinheit
- Produktschutz bei Lagerung
- sauerstofffreie Produktion

## 2.5 Einsatz im Ex-Bereich



### Vorsicht!

Für eine Installation im Ex-Bereich beachten Sie bitte die nachfolgenden Richtlinien:

 1258

### Ex-Klassifikation ATEX:



Ex ia IIC T6/T5/T4/T3 Ga/Gb



Ex ia IIIC T69°C/T81°C/T109°C/T161°C Da/Db

### Nummer des Testzertifikats:

SEV 14 ATEX 0169 X

IECEX SEV 14.0026X

### Ex-Klassifikation FM geprüft:



IS/I, II, III/1/ABCDEFG/T6 Ta = 60 °C  
– 53 800 002; Entity

## 2.6 Ex-Klassifikation ATEX

### 2.6.1 Einleitung

Gemäß Anhang I der Richtlinie 94/9/EG (ATEX 95) handelt es sich beim Sauerstoffsensor des Typs InPro 6XXX um ein Gerät der Gruppe II, Kategorie 1/2G, das, in Übereinstimmung mit Richtlinie 99/92/EG (ATEX 137) in den Zonen 0/1 oder 1/2 bzw. 1 oder 2 sowie in den Gasgruppen IIA, IIB und IIC eingesetzt werden kann, die potenziell explosiv sind aufgrund von brennbaren Stoffen in den Temperaturklassen T3 bis T6.

Die Anforderungen aus EN 60079-14 müssen beim Einsatz/bei der Installation beachtet werden.

Gemäß Anhang I der Richtlinie 94/9/EG (ATEX 95) handelt es sich beim Sauerstoffsensor des Typs InPro 6XXX um ein Gerät der Gruppe II, Kategorie 1/2D, das, in Übereinstimmung mit Richtlinie 99/92/EG (ATEX 137) in den Zonen 20/21 bzw. 21/22 bzw. 21 oder 22 eingesetzt werden kann, die potenziell explosiv sind aufgrund von brennbarem Staub.

Die Anforderungen aus EN 60079-14 müssen beim Einsatz/bei der Installation beachtet werden.

Bei der analogen Sauerstoffelektrode sind der Sauerstoffmesskreis, der Messkreis für die Temperaturmessung und der Datenchipkreis Teil eines gemeinsamen eigensicheren Systems und werden gemeinsam an einen gesondert bescheinigten Transmitter angeschlossen und betrieben.

Der digitale Sauerstoffsensor wird über ein zweidrahtiges Kabel an den gesondert bescheinigten Transmitter angeschlossen und betrieben.

Die eigensicheren Kreise sind von den nicht eigensicheren Kreisen bis zu einem Spitzensollwert der Spannung von 375 V und von den geerdeten Teilen bis zu einem Spitzensollwert der Spannung von 30 V galvanisch isoliert.

### 2.6.2 Nenndaten

#### **Analoger Sauerstoffsensor**

Schutzart: eigensicher bis Ex ia IIC

#### **Sauerstoffmesskreis, Messkreis für die Temperaturmessung und Datenchipkreis**

Nur für den Anschluss an bescheinigte eigensichere Kreise. Höchstwerte:

$$U_i \leq 16 \text{ V}, I_i \leq 190 \text{ mA}, P_i \leq 200 \text{ mW}$$

$$L_i = 0 \text{ (wirksame innere Induktivität)}$$

$$C_i = 900 \text{ pF (wirksame innere Induktivität)}$$

Obige Werte beziehen sich jeweils auf die Summe aller individuellen Kreise in der entsprechenden eigensicheren Stromversorgung und im Auswertegerät (Transmitter).

**Digitaler Sauerstoffsensor**

Schutzart: eigensicher bis Ex ia IIC

**Zweiadriger Stromkreis**

Nur für den Anschluss an bescheinigte eigensichere Kreise. Höchstwerte:

$$U_i \leq 16 \text{ V}, I_i \leq 30 \text{ mA}, P_i \leq 50 \text{ mW}$$

 $L_i = \text{vernachlässigbar}$  $C_i = \text{vernachlässigbar}$ **2.6.3 Besondere Bedingungen**

- Folgende Tabelle enthält das Verhältnis zwischen der maximal zulässigen Umgebungs- bzw. Mediumtemperatur und der Temperaturklasse für Geräte der Kategorie 1G, Zone 0:

<b>Temperaturklasse</b>	<b>Maximale Umgebungs- bzw. Mediumtemperatur</b>
T 6	68 °C
T 5	80 °C
T 4	108 °C
T 3	160 °C

- Folgende Tabelle enthält das Verhältnis zwischen der maximal zulässigen Umgebungs- bzw. Mediumtemperatur und der Temperaturklasse für Geräte der Kategorie 1D, Zone 20:

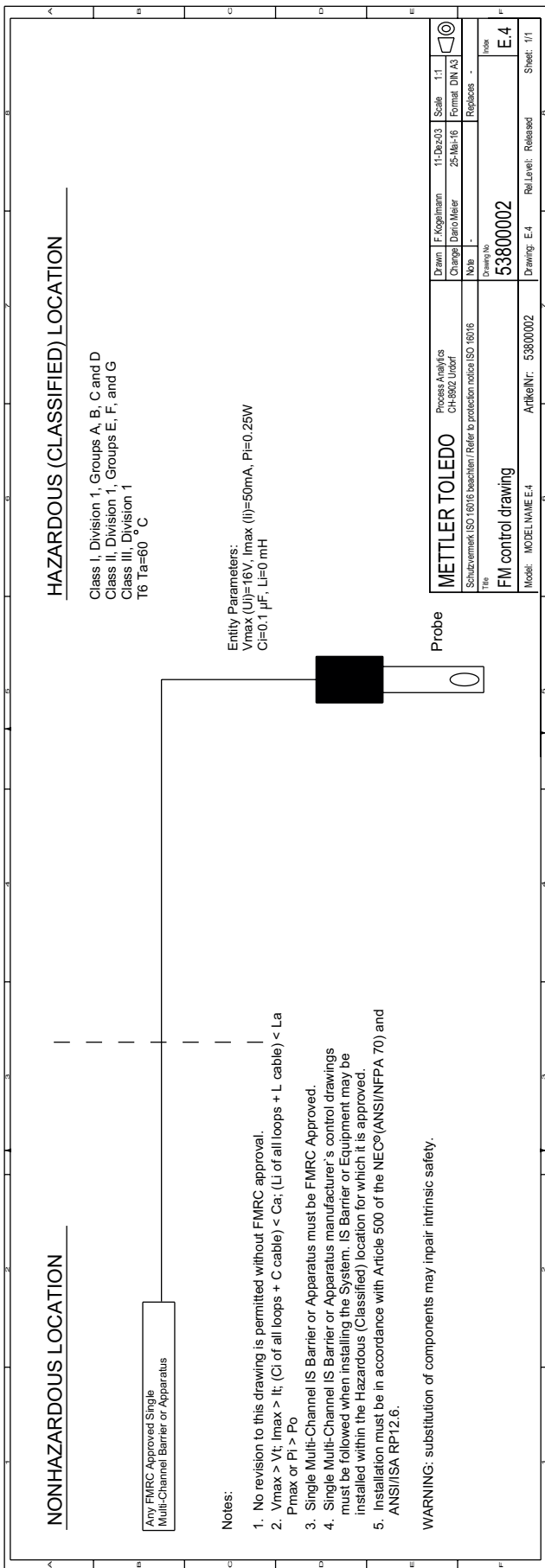
<b>Temperaturklasse</b>	<b>Maximale Umgebungs- bzw. Mediumtemperatur</b>
T 69 °C	68 °C
T 81 °C	80 °C
T 109 °C	108 °C
T 161 °C	160 °C

- Die Kapazität und die Induktivität des Verbindungskabels sind zu beachten.
- Der Sauerstoffsensor des Typs InPro 6XXX kann in/mit den Armaturen InFit® 76\*-\*\*\* oder InTrac® 7\*\*-\*\*\* oder in/mit anderen geeigneten Armaturen in potenziell explosionsgefährdeten Bereichen eingesetzt werden.
- Das Metallgehäuse des Sauerstoffsensors oder der Armaturen InFit76\*-\*\*\* oder InTrac7\*\*-\*\*\* oder anderer geeigneter Armaturen wird optional in die Routinedruckprüfung des Systems eingebunden.
- Die unabhängige Armatur für die Installation des Sauerstoffsensors muss leitend mit dem Potenzialausgleichssystem verbunden werden.

## 2.7



## Ex-Klassifikation FM



Drawn	F. Kogelmann	11-Dez-03	Scale	1:1
Change	Dario Meier	25-Mär-16	Format	DIN A3
NoB	-	-	Replaces	-
Drawing No	53800002			
Title	Index			
Process Analytics CH-8802 Urdorf				
Schutzvermerk ISO 16016 beachten / Refer to protection notice ISO 16016				
FM control drawing				
Model:	MODEL NAME E.4	ArtikelNr:	53800002	Drawing: E.4
				Rel Level: Released
				Sheet: 1/1



## 3 Produktbeschreibung

### 3.1 Allgemein

Die **O<sub>2</sub>-Sensoren der InPro 6850 i/6900 i/6950 i-Serie** mit integriertem Temperaturfühler dienen zur Bestimmung von Sauerstoff bei niedrigen und mittleren Konzentrationen.

Sie können **sterilisiert** und in den meisten Fällen auch autoklaviert werden und sind **kompatibel mit CIP-Systemen** («Cleaning In Place» = Reinigung im eingebauten Zustand).

Die InPro 6xxx i-Sensoren mit ISM<sup>®</sup>-Funktionalität ermöglichen «Plug and Measure» und bieten eine erweiterte Diagnose.

### 3.2 Funktionsprinzip

#### **Amperometrische Sauerstoffsensoren:**

Die amperometrischen Sauerstoffsensoren von METTLER TOLEDO basieren alle auf dem gleichen Messprinzip nach Clark. Es werden aber verschiedene Baureihen angeboten, die sich in der Anzahl und Anordnung ihrer Elektroden und damit in ihren Spezifikationen deutlich unterscheiden:

- Das Messsystem der InPro-Sensoren besteht aus Arbeitselektrode (Kathode), Gegenelektrode (Anode), Referenzelektrode und einer Schutzringelektrode. Das Messsystem ist durch eine sauerstoffdurchlässige Membran vom Prozessmedium getrennt.
- Die prinzipielle Messtechnik ist bei allen Sensoren gleich.
- Über den Transmitter wird eine konstante Spannung zwischen Kathode und Anode angelegt.
- Durch den Elektrolyt wird eine leitende Verbindung zwischen den Elektroden geschaffen.
- Die Sauerstoffmoleküle diffundieren vom Messmedium durch die Membran zu den Elektroden und werden an der Kathode reduziert. Gleichzeitig findet an der Anode eine Oxidation statt.
- Der erzeugte Strom wird gemessen und ist proportional zum Sauerstoffpartialdruck (pO<sub>2</sub>) im Messmedium. In der Ausführung mit digitalem ISM wird der Strom im Sensor selbst in eine Sauerstoffkonzentration umgerechnet und dieser Wert wird an den Transmitter übermittelt.
- Die Schutzringelektrode des InPro 6900 i und des InPro 6950 i reduziert den Sauerstoff, welcher seitlich zur Kathode diffundiert und die Messung verfälschen kann. Die Schutzringelektrode ermöglicht es daher, Sauerstoffspuren auch in tiefsten Konzentrationen genau zu bestimmen.

Das 4-Elektroden-System des InPro 6900 i und des InPro 6950 i Sensors garantiert hohe Genauigkeit,

schnelles Ansprechen und eine tiefe Nachweisgrenze.



**Hinweis: Weitergehende Informationen zur polarographischen O<sub>2</sub>-Messung findet sich in Kapitel 10 – «Theorie zu den polarographischen Sensoren».**

#### **ISM-Sensoren:**

Alle Sauerstoffsensoren mit dem Index «i» (6850i, 6900i, 6950i) sind mit ISM ausgestattet.

Prinzip: Im Sensorkopf ist ein Chip integriert, der die gesamte Steuerung und Kontrolle des Sensors übernimmt und darüber hinaus sämtliche Sensordaten speichert. Dieser Chip wird über den Transmitter angesprochen.

Folgende Daten stehen permanent im Sensor zur Verfügung:

- Art des Sensors
- Seriennummer
- Software-Version
- Hardware-Version
- Bestellnummer
- Betriebsdauer
- Kalibrationszeit und -datum
- Kalibrationstabelle

Zur Kontrolle des Systems werden folgende Messgrößen überwacht:

- Temperatur
- Steilheit
- Nullstrom
- Luftstrom
- Polarisationsspannung

Aus diesen Informationen wird im Transmitter ein Verschleissmonitor errechnet und je nach Transmittertyp unterschiedlich dargestellt. (Siehe hierzu die jeweiligen Bedienungsanleitungen)

ISM ermöglicht die Anbindung des Sensors an die iSense Software. In dieser Software werden alle Informationen über den Sensor verwaltet und in einer Datenbank abgelegt. Der Sensor kann über diese Software auch kalibriert werden.

### **3.3 Lieferumfang**

Jeder Sensor wird komplett zusammengebaut und geprüft ausgeliefert mit:

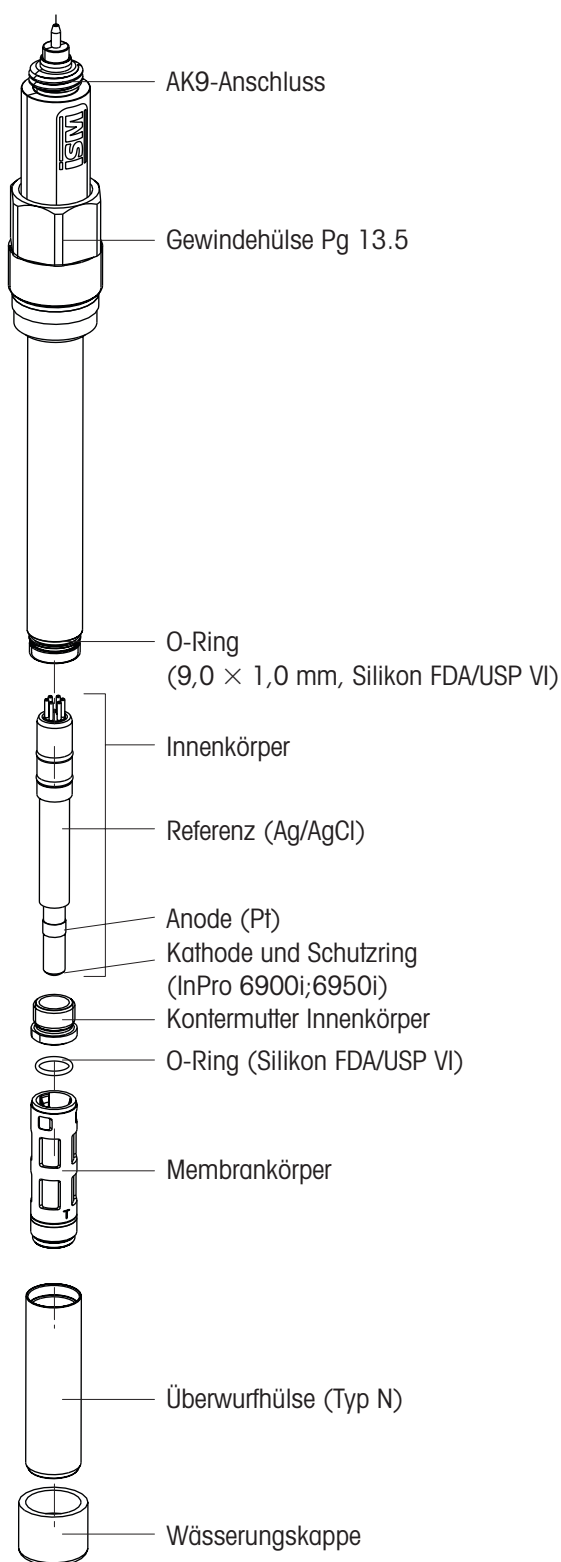
- einem Qualitäts-Kontrollzertifikat
- Materialzertifikaten 3.1 (entsprechend EN 10204)

METTLER TOLEDO ISM Sauerstoffsensoren werden mit passendem Membrankörper und Schutzkappe, aber ohne Elektrolyt ausgeliefert. Sie wurden auf korrekte Funktion geprüft. Bitte beachten Sie die Angaben für die Elektrolytbestellung im Abschnitt 9.3 «Zubehör».

Bei digitalen Sensoren muss vor der Inbetriebnahme Elektrolyt eingefüllt werden.

### 3.4 Produktübersicht

#### Sensor 12 mm



METTLER TOLEDO ISM O<sub>2</sub>-Sensoren werden mit montiertem Membrankörper, ohne Elektrolyt und mit aufgesteckter Schutzkappe ausgeliefert und sind auf einwandfreie Funktionsweise geprüft.

## 4 Installation

### 4.1 Einbau des Sensors



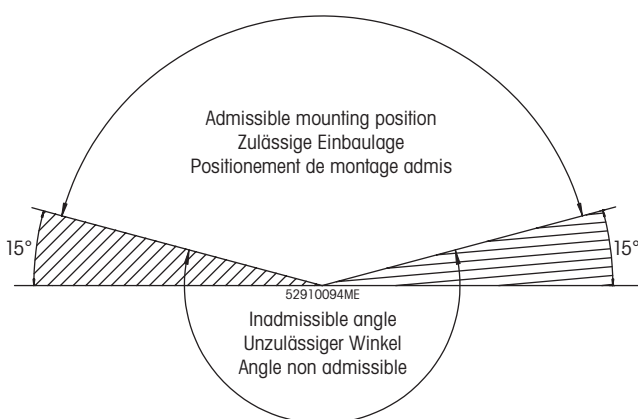
**Wichtig! Vor dem Einbau des Sensors muss die Schutzkappe entfernt werden.**

#### Einbau des Sensors in eine Armatur

Für den Einbau des Sensors in eine Armatur beachten Sie bitte die Angaben in der entsprechenden Anleitung zur Armatur.

#### Direkter Einbau der Sensoren in ein Rohr/einen Kessel

Die 12 mm Sauerstoffsensoren können direkt in einen Gewindestutzen Pg 13.5 eingeschraubt und mit der Gewindehülse festgezogen werden.



### 4.2 Sensor anschliessen

#### 4.2.1 AK9-Kabel an den Sensor anschliessen

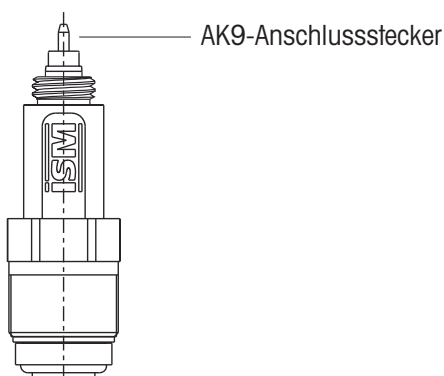
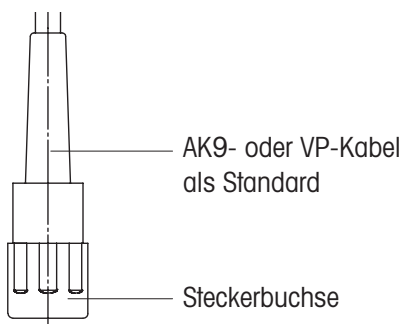


Der Sensor wird über ein AK9-Kabel an den Transmitter angeschlossen. Das AK9-Kabel garantiert eine sichere Verbindung zwischen Sensor und Transmitter, auch unter harten industriellen Bedingungen. Der robuste, wasserdichte Stecker entspricht der Schutzklasse IP 68 und garantiert maximale Prozesssicherheit.

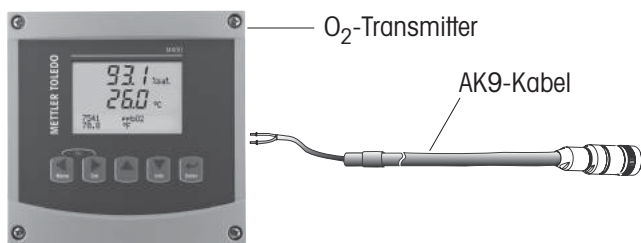


**Berühren Sie den Sensor nicht am AK9-Anschlussstecker!**

Schieben Sie die Buchse auf den Stecker und schrauben Sie sie fest.



#### 4.2.2 Anschluss des AK9-Kabels am Transmitter



 **Hinweis: Um das AK9-Kabel mit dem Transmitter zu verbinden, beachten Sie die Anweisungen in der METTLER TOLEDO Transmitter Bedienungsanleitung.**

## 5 Betrieb



**Wichtig! Vor der ersten Inbetriebnahme muss der Elektrolyt eingefüllt werden (siehe «Kapitel 6.2»).**

### 5.1 Inbetriebnahme und Polarisation



**Wichtig! Vor dem Einbau/der Inbetriebnahme des Sensors muss die Schutzkappe entfernt werden.**

Bei der ersten Inbetriebnahme oder nach einer Trennung des Sensors von der Spannungsquelle (Transmitter oder O<sub>2</sub> Sensor-Master) von mehr als 5 Minuten, muss der Sensor vor der Kalibrierung zur Polarisation an den eingeschalteten O<sub>2</sub>-Transmitter oder an den O<sub>2</sub> Sensor-Master angeschlossen werden. Nach sechs Stunden ist der Sensor polarisiert und betriebsbereit.

**Achtung: Der InPro 6950 i sollte niemals an Luft polarisiert werden!**

Während der Polarisationszeit empfehlen wir, die mit Reinigungs- und Konditionierlösung gefüllte Schutzkappe auf dem Sensor aufgesteckt zu lassen (siehe «Kapitel 7 – Lagerung»), speziell dann, wenn der Sensor mehr als 6 Stunden polarisiert wird.

Falls der Sensor nur für wenige Minuten von der Spannungsquelle getrennt wurde, ist eine kürzere Polarisationszeit ausreichend. Folgende Tabelle dient zur Ermittlung der korrekten Polarisationszeit in Abhängigkeit von der Depolarisationszeit.

<b>Depolarisationszeit<sup>1</sup></b> <b>t<sub>depol</sub> [Min.]</b>	<b>Minimal notwendige</b> <b>polarisationszeit<sup>2</sup> [Min.]</b>
> 30	360
15 bis 30	6 × t <sub>depol</sub>
5 bis 15	4 × t <sub>depol</sub>
< 5	2 × t <sub>depol</sub>

**1** Depolarisationszeit: Zeitspanne, während der die Polarisationsspannung nicht anliegt. Dies ist der Fall:

- wenn das Kabel abgekoppelt ist, kein Transmitter oder Polarisationsmodul am Kabel angeschlossen ist oder der Transmitter von der Stromversorgung getrennt wurde.
- nach Elektrolyt- bzw. Membrankörperwechsel, nach denen mindestens 6 Std. polarisiert werden muss.

**2** Polarisationszeit: Zeitspanne, während der der Sensor mit einer Polarisationsspannung beaufschlagt ist.



**Wichtig: Die Einstellung der Polarisationsspannung am Transmitter für korrekte Messungen:**

- Standardapplikationen InPro 6850 i: – **675 mV**
- Messungen von permanent niedrigen Sauerstoffkonzentrationen (< 500 ppb in Flüssigkeiten)

oder < 10'000 ppm [Vol.] in Gasen) in Gegenwart von sauren, flüchtigen Komponenten (z.B. Kohlendioxid bei Messung in Brauerei)  
z.B. InPro 6900i/6950i: – **500 mV**



**Hinweis: Der Transmitter ist so einzustellen, dass er die korrekte Polarisationsspannung liefert.**

## 5.2 Kalibrierung

### 5.2.1 Zweck der Kalibrierung

Jeder Sauerstoffsensor hat eine individuelle Steilheit und einen individuellen Nullpunkt. Beide Werte ändern sich z.B. durch Elektrolytverbrauch oder nach Austausch des Elektrolyten oder des Membrankörpers. Um eine hohe Messgenauigkeit des Sensors zu erzielen, muss deshalb regelmässig, zumindest aber nach einem Elektrolyt- oder Membranwechsel eine Kalibrierung durchgeführt werden. Vor der Kalibrierung muss der Sensor mindestens 6 Stunden polarisiert werden.



**Vor der Kalibrierung ist die Schutzkappe zu entfernen und der Sensor mit Wasser zu spülen und zu trocknen. Lassen Sie den Sensor anschliessend mindestens 10 Minuten an der Luft.**



**Um zu prüfen, ob der Sensor kalibriert werden muss, trocknen Sie den Sensor ab und halten Sie ihn in die Luft. Der Transmitter sollte jetzt einen Wert von nahezu 100 % anzeigen. Ist dies nicht der Fall, muss der Sensor nachkalibriert werden.**

Bei ISM-Sensoren werden alle Kalibrationsdaten im Sensor selbst gespeichert.

### 5.2.2 Was müssen Sie bei der Kalibrierung beachten

Die Kalibrierung wird generell bei der Polarisationsspannung durchgeführt, bei der auch gemessen wird.

Eine Nullpunktkalibrierung wird empfohlen:

- wenn in Flüssigkeit unter 5 ppb gemessen wird
- wenn in Gasen unter 125 ppm (Vol.) gemessen wird.

Die im M700 Transmitter verfügbare automatische Kalibrieroutine (SW700-011 «CO<sub>2</sub>-Kompensation») ist für InPro 6900i Sensoren nicht geeignet.



**Generelle Hinweise:**

- **Für die Kalibrierung an Luft muss die Membran des Sensors trocken sein**, da anhaftende Wassertropfen den Sauerstoffmesswert verfälschen.
- Stellen Sie sicher, dass der **Sauerstoff-Sättigungsindex** des Kalibriermediums **stimmt** und während der Kalibrierung **konstant bleibt**.
- Falls die Kalibrierung in Wasser oder Messmedium erfolgt, muss sich das **Kalibriermedium**

**mit Luft im Gleichgewichtszustand** befinden. Der Sauerstoffaustausch zwischen Wasser und Luft läuft nur sehr langsam ab. Es dauert daher relativ lange, bis Wasser mit Luft gesättigt ist.

- Eine gewisse Mindestanströmung des Sensors mit dem Kalibriermedium muss gewährleistet sein.
- Achten Sie darauf, dass alle anderen Parameter, (wie Temperatur und Druck) während der Kalibrierung konstant bleiben.

Bei Dauerbetrieb empfehlen wir eine **periodische Nachkalibrierung entsprechend der gewünschten Genauigkeit, der Art des Prozesses und Ihrer Erfahrung**. Die Häufigkeit der notwendigen Nachkalibrierung ist stark applikationsspezifisch und kann daher an dieser Stelle nicht genau definiert werden.

### 5.2.3 Einpunktkalibrierung

Durch die Einpunktkalibrierung wird die aktuelle Steilheit des Sensors ermittelt. Als Kalibriermedium dient Wasser mit bekannter Sauerstoffsättigung (z.B. luftgesättigtes Wasser) oder Luft mit bekannter Wasserdampfsättigung (wasserdampfgesättigte Luft).

Nach Erreichen eines stabilen Signals wird der Sensor mit dem jeweiligen Transmitter auf den 100 %-Wert der gewünschten Messgröße kalibriert, z.B. 100 % Luft, 20,95 % O<sub>2</sub> oder 8,26 ppm – bei 25 °C und Normaldruck (siehe Anleitung zum Transmitter).

### 5.2.4 Zweipunktkalibrierung

Durch die Zweipunktkalibrierung werden Steilheit und Nullpunkt des Sensors ermittelt.



**Wichtig! Bei einer Zweipunktkalibrierung muss immer zuerst die Nullpunktkalibrierung durchgeführt werden, bevor die Steilheit ermittelt wird.**

In der Regel sollte der Nullpunkt auf Null gesetzt werden bzw. wird automatisch vom Transmitter auf Null gesetzt (siehe Bedienungsanleitung des Transmitters).

Eine Nullpunktkalibrierung wird empfohlen:

- wenn in Flüssigkeiten unter 5 ppb gemessen wird
- wenn in Gasen unter 125 ppm (Vol.) gemessen wird.



**Vorsicht! Eine unkorrekte Nullpunktkalibrierung ist eine häufige Fehlerquelle. Für eine korrekte Durchführung empfehlen wir als Nullpunktmedium Kohlendioxid Gas mit einem Reinheitsgrad von mindestens 99,9995 %.**

Nach Erreichen eines stabilen Sensorsignals (nach 6–12 Stunden) wird der Sensor mit dem jeweiligen Transmitter auf den Nullwert der gewünschten Messgröße kalibriert, z.B. 0% Luft, 0,0% O<sub>2</sub> oder 0,0 ppm (siehe Bedienungsanleitung des Transmitters).



## 6 Wartung

### 6.1 Kontrolle des Sensors

#### 6.1.1 Visuelle Kontrolle

Zur Überprüfung des Sensors empfehlen wir folgende Vorgehensweise:

- Die Kontakte am Anschlussstecker müssen trocken sein. Feuchtigkeit, Korrosion und Schmutz im Anschlussstecker können zu Fehlanzeigen führen.
- Kabel auf Knickstellen, spröde Stellen oder Brüche überprüfen.
- Vor jeder Kalibrierung sollte die Membranfolie optisch auf Beschädigung geprüft werden. Sie muss unverletzt und sauber sein. Bei verschmutzter Membran ist sie mit einem feuchten, weichen Lappen abzureiben.



**Hinweis: Eine verformte Membrane hat keinen Einfluss auf die Messgenauigkeit, sofern Sie nicht beschädigt ist.**

- Der Membrankörper muss ersetzt werden, wenn der Sensor eine zu lange Ansprechzeit aufweist, der Anzeigewert nicht stabil bleibt oder wegdriftet, der Sensor nicht kalibriert werden kann oder die Membran mechanisch beschädigt ist.
- Kathodenbereich auf Verfärbungen, Beläge und Glassprünge überprüfen. Gegebenenfalls mit demineralisiertem Wasser spülen und mit weichem, sauberen Pinsel oder weichem Papiertuch reinigen.



**Vorsicht! Keinerlei Reinigungsmittel oder Alkohol verwenden. Diese können den Sensor beschädigen oder zu Fehlströmen führen.**

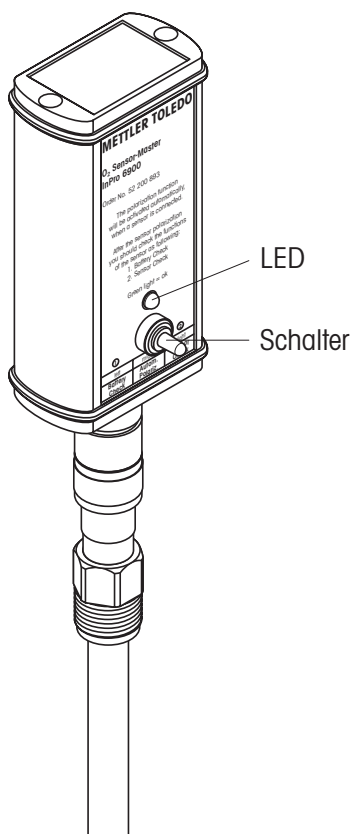


**Vorsicht! Der Innenkörper aus Glas ist zerbrechlich und empfindlich gegen Erschütterungen.**

### 6.1.2 Kontrolle des Sensors mit dem METTLER TOLEDO O<sub>2</sub> Sensor-Master

Zur einfachen Überprüfung der Funktionstüchtigkeit des Sensors empfehlen wir den als Zubehör erhältlichen O<sub>2</sub> Sensor-Master. Um den Sensor zu kontrollieren, gehen Sie wie folgt vor:

- Sensor an den O<sub>2</sub> Sensor-Master anschliessen.



Sobald der Sensor am O<sub>2</sub> Sensor-Master angeschlossen ist, wird automatisch die Polarisierungsfunktion aktiviert und der Sensor mit der richtigen Polarisierungsspannung versorgt. Falls der Sensor für mehr als 5 Minuten vom Transmitter getrennt war, muss er zuerst polarisiert (Polarisationszeiten siehe «Kapitel 5.1») werden, bevor aussagekräftige Testresultate erzielt werden.

- **Kontrolle der Batterie:**  
Schalter nach links drücken. Ist der Ladezustand der Batterie ok, leuchtet die grüne LED. Andernfalls konsultieren Sie die Bedienungsanleitung zum O<sub>2</sub> Sensor-Master.
- **Sensor Check:**  
Für diesen Test müssen der O<sub>2</sub>-Sensor vollständig polarisiert und die Membran des Sensors trocken und sauber sein.  
Halten Sie den am O<sub>2</sub> Sensor-Master angeschlossenem Sensor in die Luft. Drücken Sie anschliessend den Schalter nach rechts auf die Position «2 – Sensor check». Der O<sub>2</sub> Sensor-

Master prüft, ob der Elektrodenstrom für Luft, den der Sensor liefert, im zulässigen Bereich liegt, z.B. 2500 – 6000 nA für den InPro 6950i.

Leuchtet die grüne LED, liegt der Elektrodenstrom im zulässigen Bereich.

Leuchtet die LED nicht, prüfen Sie die Batterie des O<sub>2</sub> Sensor-Master (siehe Bedienungsanleitung «Zubehör»). Ist die Batterie ok, liegt der Fehler möglicherweise beim Sensor. Ersetzen Sie den Elektrolyten und/oder den Membrankörper des Sensors. Leuchtet die LED auch nach dem Austausch des Membrankörpers nicht, ersetzen Sie auch noch den Innenkörper des Sensors (siehe «Kapitel 6.2»).



**Wichtig! Mit der Sensor Check-Funktion wird nur die Korrektheit des Elektrodenstromes an Luft überprüft. Um sicher zu gehen, dass der Sensor korrekt arbeitet, muss auch der Nullstrom mit einer Messung in sauerstofffreiem Medium überprüft werden (siehe «Kapitel 6.1.3»).**

### 6.1.3 Kontrolle des Sensors mit dem Transmitter

Zur Überprüfung der korrekten Sensorfunktion ist eine periodische Nullstrommessung (**keine Nullpunktkalibrierung!**) empfehlenswert.



**Wichtig! Für die Nullstrommessung muss der Sensor polarisiert sein.**

Die Nullstrommessung wird mit Hilfe eines Nullstrom-Gels (Art.-Nr. 30 300 435) durchgeführt, kann aber auch in Stickstoff- (N<sub>2</sub>) oder Kohlendioxid- (CO<sub>2</sub>) Kalibriergasen (Reinheit von mindestens 99,995 %) oder in einem mit diesen Gasen gesättigten Messmedium erfolgen.

Nach 2 Minuten in einem sauerstofffreien Messmedium sollte der Sensor weniger als 10 % und nach 10 Minuten weniger als 1 % des Luftmesswertes liefern.

Zu hohe Messwerte deuten auf einen erschöpften Elektrolyten oder eine defekte Membran hin. Im ersten Fall ist der Elektrolyt und im zweiten Fall der Membrankörper mit Elektrolyt zu wechseln.

Sollten die oben erwähnten Werte nach dem Austausch des Elektrolyten und des Membrankörpers nicht erreicht werden, ersetzen Sie den Innenkörper des Sensors. Hilft auch diese Massnahme nichts, senden Sie den Sensor zur Inspektion an Ihre METTLER TOLEDO Vertretung.

In vielen Messmedien befinden sich leicht flüchtige Substanzen, die bereits in sehr geringen Konzentrationen einen deutlich wahrnehmbaren Geruch besitzen. Diese Substanzen können wie Sauerstoff durch die gasdurchlässige Membran in den Elektrolyten eindringen und sind beim Austausch des Elektroly-

ten entsprechend wahrnehmbar. Solche Substanzen, wie auch eine leichte Verfärbung des Elektrolyten haben in den meisten Fällen absolut keinen Einfluss auf die Messeigenschaften des Sensors.

#### 6.1.4 ISM-Ausführung

Die integrierten ISM-Funktionen erlauben eine umfangreiche Überwachung des Sensors. Folgende Parameter werden im Sensor gespeichert:

- Serien-Nr.
- Sensor-Typ
- Bestellnummer
- Kalibrationsdaten
- CIP/SIP-Zähler
- Steigung
- Nullpunkt

Beim Start werden folgende automatische Prüfprozeduren ausgeführt:

- Digitale Kommunikation
- «Plug & Measure»
- Vorkalibrierung
- Predictive Maintenance

## 6.2 Ersetzen des Elektrolyten, des Membrankörpers oder des Innenkörpers



**Hinweis: In den Sensoren InPro 6900 i und InPro 6950 i wird ein spezieller Elektrolyt verwendet, der einen Oxydationshemmer enthält. Dieser Elektrolyt gewährleistet eine schnelle Ansprechzeit und erhöht zusammen mit dem Schutzring die Signalstabilität des Sensors. Der Elektrolyt muss in regelmässigen Abständen ersetzt werden, sicher jedoch dann, wenn der Sensor mehr als 24 Stunden ohne Schutzkappe mit Konditionierungslösung der Luft ausgesetzt wurde.**



**Hinweis: Nach der ersten Öffnung der Elektrolytflasche soll der Elektrolyt innerhalb von 3 Monaten aufgebraucht werden.**

Arbeitet die Membran und/oder der Innenkörper nicht mehr einwandfrei (zu lange Ansprechzeiten, hoher Nullstrom in sauerstofffreiem Medium, mechanische Beschädigung etc.) muss der Membrankörper und/ oder der Innenkörper ausgetauscht werden.



**Achtung! Der O<sub>2</sub>-Elektrolyt ist alkalisch. Vermeiden Sie deshalb den Kontakt des Elektrolyten mit der Haut, insbesondere mit den Schleimhäuten und den Augen. Tragen Sie deshalb für die nachfolgend beschriebenen Austauscharbeiten immer Schutzhandschuhe und eine Schutzbrille. Sollten Sie trotzdem mit dem Elektrolyten in Berührung kommen, spülen Sie den betroffenen Körperteil sofort mit viel Wasser ab. Bei Unwohlsein ist sofort ein Arzt hinzuzuziehen.**

Für den Austausch des Elektrolyten, des Membrankörpers oder des Innenkörpers gehen Sie wie folgt vor (siehe auch nachfolgende Abbildung):



**Vorsicht! Führen Sie die nachfolgenden Arbeitsschritte nur an einem sauberen Arbeitsplatz aus.**

1. Überwurfhülse vom Sensorschaft abschrauben und vorsichtig vom Sensor ziehen.
2. Membrankörper vom Innenkörper abziehen. Ist der Membrankörper in der Überwurfhülse festgeklemmt, sollte er mit der flachen Seite der Fingerspitzen aus dieser herausgedrückt werden. Vor einem Elektrolytwechsel muss der Membrankörper unbedingt aus der Überwurfhülse entfernt werden!
3. Den Innenkörper mit destilliertem Wasser abspülen und sorgfältig mit einem Papiertuch trocknen.



**Hinweis: Die Schritte 4 bis 7 müssen nur für den Austausch des Innenkörpers ausgeführt werden.**

4. Kontermutter mit einem Rollgabelschlüssel oder Gabelschlüssel 9 mm lösen.
5. Innenkörper aus dem Sensorschaft ziehen. Falls nötig Zange verwenden.

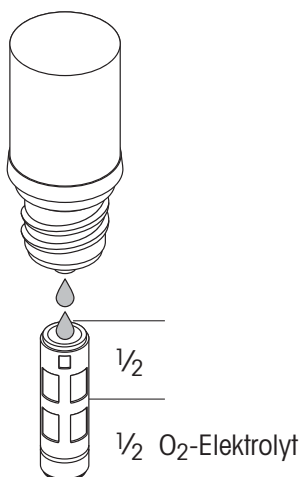


**Achtung! Innenkörper beim Herausziehen nicht drehen, sonst können die Kontaktstifte abbrechen.**

6. Neuen Innenkörper in den Sensorschaft einsetzen und so weit drehen, bis die Nut im Innenkörper im Nocken des Sensorschaftes einrastet
7. Innenkörper bis zum Anschlag in den Sensorschaft hineindrücken. Anschliessend Kontermutter anbringen und festziehen.
8. Alle O-Ringe auf Beschädigungen prüfen und falls nötig ersetzen.
9. Den neuen Membrankörper bis zur Hälfte mit O<sub>2</sub>-Elektrolyt füllen.



**Hinweis: Die Elektrolytflasche ist mit einem speziellen Ausguss-System ausgerüstet. Zur Gewährleistung der korrekten Funktion muss die Flasche zum Füllen vertikal nach unten gehalten werden.**





**Hinweis: Darauf achten, dass im gefüllten Membrankörper keine Luftblasen vorhanden sind. Luftblasen können durch vorsichtiges Klopfen an den Membrankörper entfernt werden.**

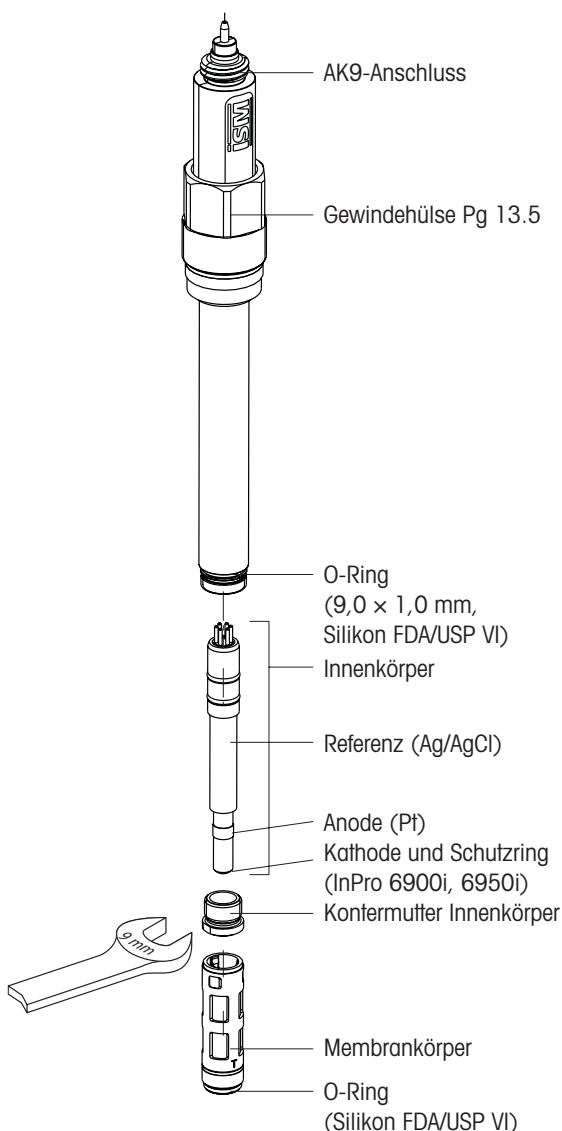
10. Den Membrankörper in senkrechter Position auf den Innenkörper schieben und überschüssigen Elektrolyt mit einem Papiertuch entfernen.



**Wichtig! Zwischen Membrankörper und Überwurfhülse dürfen sich weder Elektrolyt noch Messmedium oder andere Verunreinigungen befinden. Bitte genau prüfen!**

11. Die Überwurfhülse vorsichtig über den montierten Membrankörper schieben (den Sensor dabei in vertikaler Position halten) und festschrauben. Die Überwurfhülse muss sauber und trocken sein.
12. Nach einem Austausch des Elektrolyten oder des Membrankörpers oder des Innenkörpers ist der Sensor zu polarisieren und zu kalibrieren.

### Ersetzen des Innenkörpers



## 7 Lagerung

Für die Lagerung der Sensoren über eine Dauer von mehr als 24 Stunden empfehlen wir, die Schutzkappe, gefüllt mit der Reinigungs- und Konditionierlösung (Bestell-Nr. 52 200 255), wie sie für unsere portablen O<sub>2</sub>-Messsysteme verwendet wird, aufzusetzen. Diese Lösung besitzt einen Oxydationshemmer, der verhindert, dass der Sensor mit Sauerstoff in Kontakt kommt, wenn er nicht benutzt wird.

Wenn der Sensor ohne Polarisierung über eine Woche gelagert wird, muss der Elektrolyt entfernt werden.

Um die Reinigungs- und Konditionierlösung herzustellen, gehen Sie wie folgt vor: Eine Tablette in 40 ml destilliertes Wasser geben und 5 Minuten warten, bis sie sich aufgelöst hat. Schutzkappe mit dieser Lösung füllen und Schutzkappe auf das Sensorende aufstecken. Die Reinigungs- und Konditionierlösung hat Reinigungseigenschaften, die die Membran freihält von Mikroorganismen. Falls Sie kein Reinigungs- und Konditioniererset haben, können Sie die Schutzkappe auch mit Prüfgel oder entgasstem Wasser füllen. Vor dem Einbau des Sensors ist die Schutzkappe zu entfernen und der Sensor mit Wasser zu spülen.



**Vorsicht! Bei einer Lagerung des Sensors ohne Spannungsversorgung (Transmitter, Sensor-Master) von mehr als 1 Woche sollte der Sensor trocken, d.h. ohne Elektrolyt im Membrankörper gelagert werden. Ein trocken gelagerter Sensor (ohne Elektrolyt im Membrankörper) darf auf keinen Fall an den O<sub>2</sub> Sensor-Master oder an ein anderes Polarisationsmodul angeschlossen werden.**

## 8 Produktspezifikationen

### 8.1 Zertifikate

Jeder Sensor wird mit einem Set von **3.1 Zertifikaten** (entsprechend EN 10204) ausgeliefert.

Alle mit dem Prozessmedium in Berührung kommenden Metallteile (Sensorschaft, Überwurfhülse und Membrankörper) sind mit einem Symbol gekennzeichnet, das auf die Schmelznummer auf dem mitgelieferten Zertifikat verweist.

Alle mit dem Prozessmedium in Berührung kommenden Metallteile (Sensorschaft, Überwurfhülse und Membrankörper) sind poliert, damit Sie eine Oberflächenrauheit von weniger als 0,4 µm aufweisen. Dies entspricht einer Oberflächenrauheit von N5 (entsprechend ISO 1320:1992).

## 8.2 Technische Daten

<b>InPro 6850i/6900i/6950i</b>	
<b>Messprinzip</b>	Polarografische Clark-Elektrode
<b>Betriebsbedingungen</b>	
Zulässiger Druckbereich (Messung)	6850i: 0,2 ... 6 bar 6900i: 0,2 ... 6 bar (9 bar mit T-6900R) 6950i: 0,2 ... 6 bar
Mechanische Druckfestigkeit	Max. 12 bar
Temperaturbereich (Messung)	0 ... 80 °C
Temperaturbereich (Umgebung)	6850i: - 5 ... 140 °C 6900i: - 5 ... 121 °C (sterilisierbar und autoklavierbar) 6950i: - 5 ... 121 °C (sterilisierbar)
<b>Konstruktionsmerkmale</b>	
Temperaturkompensation	Automatisch
Kabelanschluss	AK9
O-Ring-Material	Silikon FDA und USP Class VI geprüft
Material Membrane	PTFE/Silikon/PTFE (verstärkt mit Stahlnetz)
Material Sensorkörper (medienberührt)	316L rostfreier Stahl
Oberflächenrauheit medienberührte Metallteile	N5 (R <sub>a</sub> = 0,4 µm)
Quick Disconnect-Innenkörper	Standard
Kathode	Pt
Anode	6850i: Pt 6900i: Ag 6950i: Pt
Schutzring	6850i: - 6900i: Pt 6950i: Pt
Referenzelement	Ag
<b>Abmessungen</b>	
Sensordurchmesser	6850i: 12/25 mm 6900i: 12 mm 6950i: 12 mm
Eintauchlänge (a) für 12 mm Sensor	6850i/6900i: 70, 120, 220, 320, 420 mm 6950i: 70, 120, 220, 320 mm
Eintauchlänge (a) für 25 mm Sensor	6850i: 80, 160, 260, 360 mm 6900i: - 6950i: -
<b>Sensorleistung</b>	
Nachweisgrenze	6850i: 6 ppb bis Sättigung 6900i: 1 ppb bis Sättigung 6950i: 0.1 ppb bis Sättigung
Genauigkeit	6850i: ≤ ± (1 % + 6 ppb) 6900i: ≤ ± (1 % + 1 ppb) 6950i: ≤ ± (1 % + 0,1 ppb)
Ansprechzeit bei 25 °C	98 % des Endwertes in < 90 s
Sensorsignal in Umgebungsluft bei 25 °C	6850i: 50 ... 110 nA 6900i: 250 ... 500 nA 6950i: 2500 ... 5000 nA
Restsignal in sauerstofffreiem Medium	6850i: < 0,1 % des Signals 6900i: < 0,3 % des Signals 6950i: < 0,025 % des Signals



**Zertifikate**

EHDG, 3A	Ja
3.1 B (EN 10204.3 /1.B)	Ja
ATEX-Zertifikat	6850 i/6900 i: Ja 6950 i: Ja
FM-Zulassung	6850 i/6900 i: Ja 6950 i: Ja
FDA/USP VI	Ja
Qualitäts-/Endkontrolle	Ja

**Kompatibilität**

mit METTLER TOLEDO Transmitter	siehe «Kapitel 9.4»
mit METTLER TOLEDO Armaturen	siehe «Kapitel 9.5»

## 9 Bestellinformationen

Weitere, detaillierte Informationen finden Sie im technischen Datenblatt. Fragen Sie Ihren Lieferanten.

### 9.1 Sensoren mit ISM-Funktionalität

#### Bestellinformationen

– Version gerade	6850 i	6900 i	6950 i
70 mm	52 206 118	52 206 316	52 206 127
120 mm	52 206 119	52 206 317	52 206 128
220 mm	52 206 120	52 206 318	52 206 129
320 mm	52 206 121	52 206 319	52 206 130
420 mm	52 206 122	–	–
<b>– 25 mm-Version</b>			
80 mm	52 206 123	–	–
160 mm	52 206 124	–	–
260 mm	52 206 125	–	–
360 mm	52 206 126	–	–

### 9.2 Zubehör

Zubehör	Bestell-Nr.
O <sub>2</sub> Sensor-Master «Digital ISM»	52 206 329
<b>Kabel</b>	
AK9 Koax-Kabel mit K8S-Steckkopf 1 m	59 902 167
AK9 Koax-Kabel mit K8S-Steckkopf 3 m	59 902 193
AK9 Koax-Kabel mit K8S-Steckkopf 5 m	59 902 213
AK9 Koax-Kabel mit K8S-Steckkopf 10 m	59 902 230
AK9 Koax-Kabel mit K8S-Steckkopf 20 m	52 300 204

### 9.3 Ersatzteile

Ersatzteil	Bestell-Nr.
<b>– InPro 6850 i</b>	
Membrankörper (einzeln), T-96	52 200 071
Membran-Kit T-96 (4 Membrankörper, 1 O-Ring-Set (Silikon), 25 ml Elektrolyt, medienberührte Teile SS 316L)	52 200 024
Membrankörper (16 Stück), T-96	52 206 114
O <sub>2</sub> Elektrolyt-Nachfüllpack (3 × 25 ml)	30 298 424
Innenkörper (Ersatz), InPro 6850 i	52 206 347
<b>– InPro 6900 i</b>	
Verstärkter Membrankörper (einzeln), InPro 6900 (T-6900R)	52 201 108
Verstärktes Membran-Kit InPro 6900 (T-6900 R)	52 201 109
InPro 6900 Elektrolyt-Nachfüllpack (3 × 5 ml)	30 298 425
Innenkörper (Ersatz), InPro 6900	52 200 943
<b>– InPro 6950 i</b>	
Membrankörper (einzeln)	52 206 105
Membran-Kit (4 Membrankörper, 1 O-Ring-Set, 2 × 5 ml Elektrolyt)	52 206 106
InPro 6950 Elektrolyt-Nachfüllpack (3 × 5 ml)	30 298 426
Innenkörper (Ersatz), InPro 6950	52 206 112

## 9.4 Empfohlene Transmitter

<b>Transmitter M700</b>	<b>Bestell-Nr.</b>
Grundgerät, beschichtet, M700C	52 121 171
Grundgerät, beschichtet, Ex, VPW, M700XC/VPW	52 121 172
Grundgerät, beschichtet, Ex, 24V, M700XC/24V	52 121 173
Grundgerät, rostfreier Stahl, M700S	52 121 174
Grundgerät, rostfreier Stahl, Ex, VPW M700XS/VPW	52 121 175
Grundgerät, rostfreier Stahl, Ex, 24V M700XS/24V	52 121 176

<b>Transmitter-Messmodule M700</b>	<b>Bestell-Nr.</b>
ISM O <sub>2</sub> -Messmodul 4700i	52 121 263
ISM O <sub>2</sub> -Messmodul, Ex, 4700iX	52 121 263
ISM O <sub>2</sub> -Messmodul 4700i ppb	52 121 265
ISM O <sub>2</sub> -Messmodul, Ex, 4700iX ppb	52 121 266
ISM O <sub>2</sub> -Messmodul 4700i Spuren	52 121 295
ISM O <sub>2</sub> -Messmodul, Ex, 4700iX Spuren	52 121 294

<b>Transmitter M300D</b>	<b>Bestell-Nr.</b>
M300i, ¼DIN, 1-Kanal, Multi-Parameter	52 121 354
M300i, ½DIN, 1-Kanal, Multi-Parameter	52 121 355
M300i, ¼DIN, 2-Kanal, Multi-Parameter	52 121 356
M300i, ½DIN, 2-Kanal, Multi-Parameter	52 121 357

<b>Transmitter M400</b>	<b>Bestell-Nr.</b>
M400, Typ 1	52 121 348
M400, Typ 2	52 121 349
M400, Typ 3	52 121 350

Mehr Informationen zu den einzelnen Typen finden Sie im nachfolgend aufgeführten «Parameter-Leitfaden für M400 Transmitter».

### Parameter-Leitfaden für M400 Transmitter

	<b>M400</b>	<b>M400</b>	<b>M400</b>
<b>Analoge Sensoren</b>	<b>Typ 1</b>	<b>Typ 2</b>	<b>Typ 3</b>
pH/Redox	•	•	•
Leitfähigkeit 2-Pol-Elektrode	•	•	•
Leitfähigkeit 4-Pol-Elektrode	•	•	•
O <sub>2</sub> ppm	–	•	•
O <sub>2</sub> ppb	–	–	•
<b>ISM-Sensoren</b>			
pH/Redox	•	•	•
Leitfähigkeit 2-Pol-Elektrode	•	•	•
Leitfähigkeit 4-Pol-Elektrode	•	•	•
O <sub>2</sub> ppm	–	•	•
O <sub>2</sub> ppm optisch	–	–	•
O <sub>2</sub> ppb	–	–	•
O <sub>2</sub> Spuren	–	–	•

## 9.5 Empfohlene Armaturen

---

### Armatur (12 mm $\varnothing$ )

---

#### Statische Armatur

---

InFit 761 CIP

---

#### Wechselarmatur

---

InTrac 777 e

---

InTrac 797 e

---

#### Eintaucharmatur

---

InDip® 550

---



**Hinweis: Die Armaturen sind in verschiedenen Versionen erhältlich. Um sicherzustellen, dass die Bestellnummer mit der gewünschten Version übereinstimmt, nehmen Sie bitte mit Ihrer METTLER TOLEDO Verkaufsorganisation Kontakt auf.**

## 10 Theorie der polarographischen Sensoren

### 10.1 Einführung

In der analytischen Messung werden zwei verschiedene Typen von Elektroden verwendet: Die **potentiometrischen** und die **amperometrischen**.

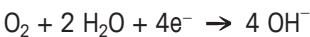
- Die potentiometrischen Elektroden entwickeln eine Spannung, die durch die Aktivität eines spezifischen Ions erzeugt wird. Beispiele solcher Elektroden sind: Glaselektroden (z.B. pH-Elektroden) und die meisten ionenselektiven Elektroden. Ihre individuellen Spannungswerte können jedoch nicht bestimmt werden. Der messbare Wert ist die Potentialdifferenz zwischen der Messelektrode und einer fixen Referenzelektrode. Der Spannungswert der Referenzelektrode muss dabei konstant sein.

Alle potentiometrischen Elektroden unterliegen den Gesetzen nach Nernst. Aus diesem Grund können die Elektroden und die Messinstrumente in den meisten Fällen untereinander ausgetauscht werden. Eine wichtige Eigenschaft der potentiometrischen Messungen ist die praktisch stromlose Bestimmung der Elektrodenspannung. Dadurch entstehen im Messmedium keine chemischen Reaktionen und das Messmedium bleibt im Gleichgewicht.

- Bei den **amperometrischen Elektroden**, wie zum Beispiel den Sauerstoffelektroden, basiert die Messung auf einer Strommessung.

**Die herkömmlichen Sauerstoffelektroden bestehen aus einer Kathode und einer Anode, die über einen Elektrolyten miteinander leitend verbunden sind.** Eine geeignete Polarisationsspannung zwischen Anode und Kathode reduziert den Sauerstoff an der Kathode.

Reaktion an der Kathode:



Aus diesen chemischen Reaktionen resultiert ein Strom, der proportional zum Sauerstoffpartialdruck ( $p\text{O}_2$ ) ist. Die Sauerstoffelektrode reduziert laufend Sauerstoff. Hierdurch wird die Konzentration an gelöstem O<sub>2</sub> geringer. Durch Diffusion wird dieser O<sub>2</sub> ersetzt. Aus diesem Grund sind die Viskosität und der Durchsatz der Messlösung wichtige Einflussgrößen.

Der Elektrodenstrom einer Sauerstoffelektrode ist nicht nur durch den Sauerstoffpartialdruck, sondern durch weitere Elektrodenparameter bestimmt. Der Elektrodenstrom unterschiedlicher Elektroden kann in mehreren Zehnerpotenzen voneinander abweichen. Aus diesem Grund können Sauerstoffelektroden und Transmitter nicht frei ausgetauscht werden.

## 10.2 Prinzipieller Aufbau von Sauerstoffelektroden

Es gibt zwei Arten von Sauerstoffelektroden:

- Elektroden **ohne** Membran
- Elektroden **mit** gasdurchlässiger Membran (Clark-Prinzip).

Die Membranelektrode nach Clark ist die heute am meisten verwendete Elektrode. Im Vergleich zu den Elektroden ohne Membran weisen Sie folgende Vorteile auf:

- Sauerstoffmessung in Gasen und Lösungen
- Keine gegenseitige Verunreinigung von Elektrode und Messmedium
- Keine oder sehr geringe Abhängigkeit von den Strömungsbedingungen im Medium

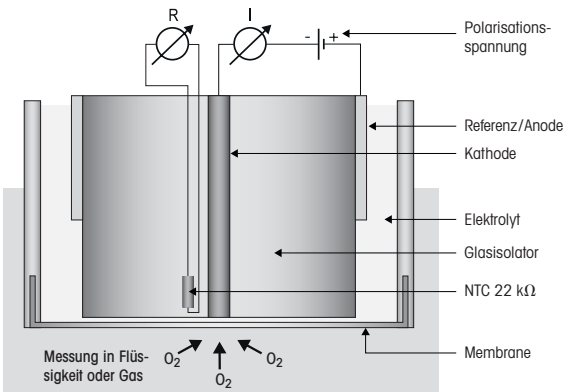
Bei den Clark-Elektroden ist die konstruktive Auslegung sehr wichtig. Speziell die Dicke des Elektrolytfilms zwischen der Kathode und der Membran muss in sehr engen Grenzen gehalten werden, um eine gute Linearität und einen tiefen Nullstrom (Strom in reinem Stickstoff) zu gewährleisten.

Die Sauerstoffsensoren von METTLER TOLEDO werden in verschiedenen Bauweisen angeboten:

### Typ A, 2-Elektroden-System, InPro 6800

InPro 6800 für mittlere und höhere Sauerstoffkonzentrationen. Kathode und Anode/Referenz. Anode und Referenz sind in einer Silber/Silberchloridelektrode vereinigt.

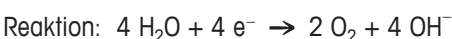
An der Anode bzw. Referenz findet folgende Gleichgewichtsreaktion statt:



### Typ B, 3-Elektroden-System, InPro 6850 i

InPro 6850i für mittlere und höhere Sauerstoffkonzentrationen. Die Referenz entspricht der herkömmlichen Silber/Silberchloridanode. Die Anode ist eine Platinelektrode und von der Referenz getrennt.

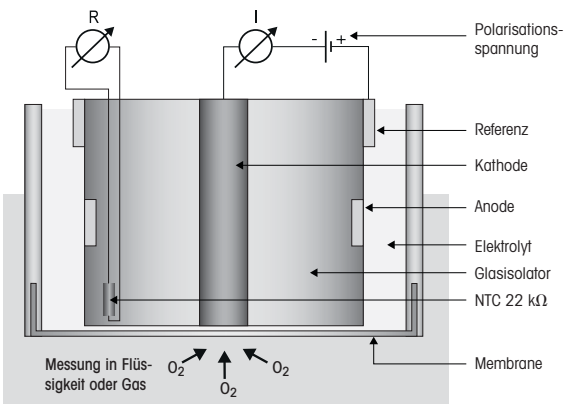
An der Anode findet folgende Reaktion statt:



Die Referenz ist eine Silber/Silberchloridelektrode. Nach der Polarisierung besteht ein stabiles Gleichgewicht zwischen Elektrodenoberfläche und Elektrolyt. Es findet keine messbare Reaktion statt.

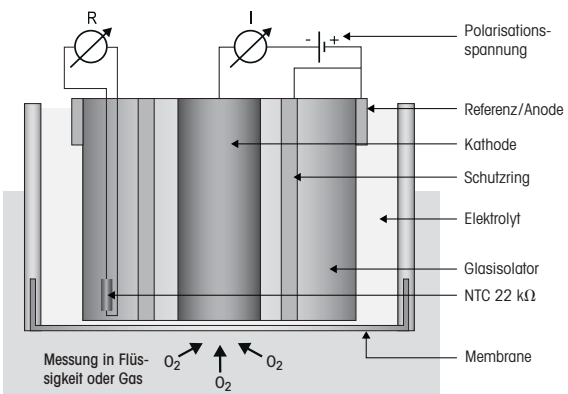
Referenzreaktion im Gleichgewicht:

Reaktion: kein Strom



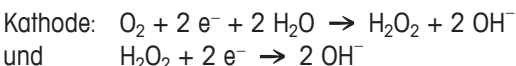
### Typ C, 3-Elektroden-System, InPro 6900 (i)

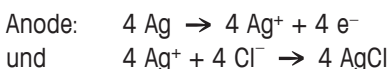
InPro 6900 und InPro 6900i. Für Sauerstoffmessungen im unteren ppb-Bereich. Anode und Referenz sind hier in einer Silber/Silberchloridelektrode vereinigt (wie bei Typ A). Die Sensoren verfügen über einen zusätzlichen Guard-Ring um die Kathode. Dieser bildet wie die Kathode mit der Anode einen geschlossenen Stromkreis, welcher verhindert, dass Sauerstoff von der Seite zu der Kathode diffundiert und somit das Messergebnis verfälscht.



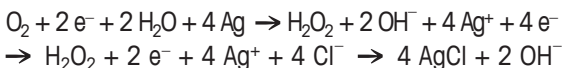
Die Funktion der Kathode ist in allen Sensoren identisch.

Zwischen Kathode und Referenz wird eine konstante Spannung von 500 bzw. 675 mV (Polarisationsspannung) angelegt. Hierdurch kommt es an der Kathode zu einer Reduktion von O<sub>2</sub> zu OH<sup>-</sup>.





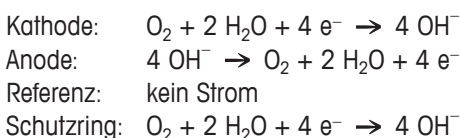
Die Gesamtgleichung lautet somit:



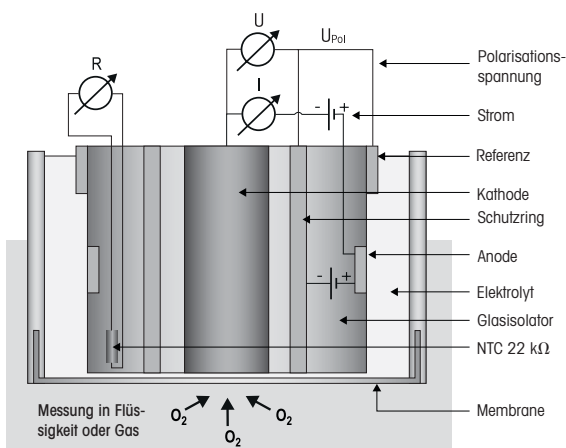
#### Typ D, 4-Elektroden-System, InPro 6950 (i)

Der InPro 6950 (i) ist vorgesehen zur Messung von permanent niedrigem Sauerstoff bis zu 0,1 ppb. In Hinsicht auf das Messprinzip ist er eine Kombination aus dem InPro 6850i und 6900 (i). Er besitzt 4 Elektroden. Anode und Referenz sind separiert in 2 Elektroden. Eine Platin Anode und eine Silber/Silberchlorid Referenz. Eine Schutzingelektrode um die Kathode, wie beim InPro 6900i ist ebenfalls vorhanden. Die Kathode besitzt den grössten Durchmesser von allen amperometrischen Sensoren von METTLER TOLEDO

An der Elektrode finden folgende Reaktionen statt:



Aufgrund der grösseren Oberfläche der Kathode entstehen grössere Ströme während der Messung. Dies ermöglicht die Messung von Sauerstoffkonzentrationen unterhalb von 1 ppb.



Als Folge davon fliesst zwischen Kathode und Anode ein Strom (4 Elektronen pro O<sub>2</sub>-Molekül), der proportional zum O<sub>2</sub>-Partialdruck an der Kathode ist.

Die Stärke des Stromflusses hängt von der Fläche der Kathode ab. Typische Werte sind:



	<b>Luftstrom</b>	<b>Nullstrom in % des Luftstroms</b>
6800	50 – 110 nA	< 0,1
6850(i)	50 – 110 nA	< 0,1
6900(i)	250 – 500 nA	< 0,03
6950(i)	2500 – 5000 nA	< 0,025

Dieser Strom wird gemessen und im Transmitter in einen Sauerstoffwert umgerechnet und angezeigt. Bei ISM-Sensoren findet diese Berechnung im Sensor statt und der Transmitter zeigt diesen Wert an.

### 10.3 Einflussgrößen auf den Elektrodenstrom

Die Menge des diffundierten Sauerstoffs und die Grösse des Elektrodenstromes werden von folgenden Einflussgrößen bestimmt:

- Sauerstoffpartialdruck im Messmedium
- Membranmaterial und -dicke
- Grösse der Kathode
- Polarisationsspannung
- Temperatur
- Strömungsbedingungen im Messmedium

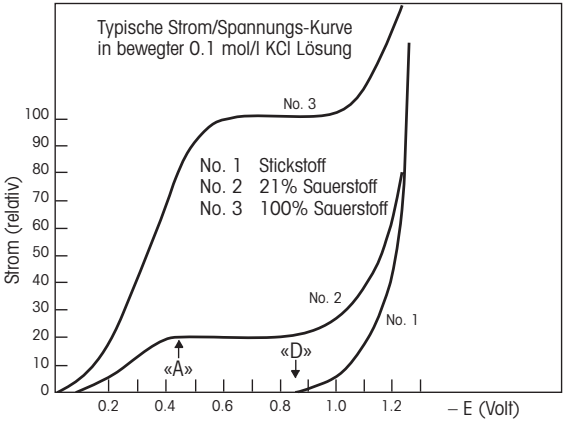
Das Gesetz nach Fick zeigt den mathematischen Zusammenhang dieser Einflussgrößen auf:

$$I = k \times D \times a \times A \times \frac{pO_2}{X}$$

- I = Elektrodenstrom
- k = Konstante
- D = O<sub>2</sub>-Durchdringungskoeffizient der Membran
- a = Sauerstofflöslichkeit des Membranmaterials
- A = Kathodenoberfläche
- pO<sub>2</sub> = Sauerstoffpartialdruck im Messmedium
- X = Dicke der gasdurchlässigen Membran

## 10.4 Polarisationsspannung

Die Spannung zwischen Anode und Kathode ist so festgelegt, dass der Sauerstoff an der Kathode voll reduziert wird ( $> A$ , siehe Polarogramm), während die anderen Gase nicht angegriffen werden ( $< D$ ). Die ideale Polarisationsspannung für Pt/Ag/AgCl Systeme oder Pt/Pt/Ag/AgCl Systeme liegt zwischen  $-500$  und  $-750$  mV.



Die Polarisationsspannung sollte so konstant wie möglich sein. Neben einer konstanten Spannungsquelle müssen folgende Voraussetzungen erfüllt werden: Der elektrische Widerstand des Elektrolytfilms darf einen spezifischen Wert nicht überschreiten, damit ein Spannungsabfall verhindert wird.

Die Anode muss eine grosse Oberfläche aufweisen, damit sie nicht vom Elektrodenstrom polarisiert wird.

## 10.5 Temperatur

Die Temperaturabhängigkeit des Elektrodenstroms bezogen auf einen konstanten Sauerstoffpartialdruck ist überwiegend durch die Eigenschaften der gasdurchlässigen Membran bestimmt.

## 10.6 Strömungsabhängigkeit

Bei den meisten Sauerstoffelektroden ist der Elektrodenstrom in ruhigen Messmedien kleiner als in bewegten Medien. Durch den Sauerstoffverbrauch der Elektrode wird ausserhalb der Membran in unmittelbarer Nähe der Kathode Sauerstoff aus dem Messmedium zu H<sub>2</sub>O reduziert. Der fehlende Sauerstoff wird durch Diffusion innerhalb des Messmediums wieder ersetzt. Ist der Elektrodenstrom sehr hoch, kann der reduzierte Sauerstoff durch die Diffusion nicht mehr vollständig ersetzt werden. Dadurch resultiert ein Elektrodenstrom der tiefer ist als der, der tatsächlich dem Messmedium entsprechen würde. In bewegten Messmedien wird der verbrauchte Sauerstoff nicht nur durch Diffusion innerhalb der Flüssigkeit zugeführt, sondern zusätzlich durch die

vorbeiströmende Flüssigkeit (Konvektion). Dadurch wird eine Abnahme des Sauerstoffgehaltes an der Membranoberfläche verhindert.

Stark abhängig von den Strömungsbedingungen sind Elektroden mit grossen Kathoden und dünnen hochdurchlässigen Membranen (Elektroden mit hohem Elektrodenstrom).

Das Problem der Strömungsabhängigkeit kann meistens durch eine geringe Strömung im Messmedium gelöst werden.

In METTLER TOLEDO InPro 6950i Sensoren ist die PTFE-Membran, die den Elektrodenstrom (d.h. das aktuelle Messsignal) bestimmt, durch eine relativ dicke Silikonmembran vom Messmedium getrennt. Die Silikonmembran ist hochdurchlässig für Sauerstoffmoleküle und dient damit als Sauerstoffreservoir. Die Diffusion des Sauerstoffs vom Messmedium in die Silikonmembran wird über einen grossen Bereich verteilt. Dadurch wird weniger Sauerstoff pro Flächeneinheit reduziert. Die PTFE/Silikonmembran agiert somit als Puffer gegen hydrodynamische Störungen.

Diese Membran zusammen mit dem Schutzring und dem speziellen Elektrolyten gewährleisten eine exzellente Signalstabilität, auch wenn die hydrodynamische Strömung ausfällt (wie zum Beispiel in einer Bierabfülllinie).

## 10.7 Sauerstoffpartialdruck – Sauerstoffkonzentration

Der Elektrodenstrom ist abhängig vom Sauerstoffpartialdruck und der Sauerstoffdurchlässigkeit der Membran. Die Umrechnung von Partialdruck in Sauerstoffkonzentration hängt vom Messmedium (Messung in Flüssigkeiten oder Gasen) ab.

### Messung in Flüssigkeiten

Wird in Flüssigkeiten gemessen, hängt die Sauerstoffkonzentration zusätzlich von der Löslichkeit des Sauerstoffs im Messmedium ab. Da diese aber vom Sensorstrom nicht erfasst wird, muss die Sauerstoffkonzentration im Transmitter berechnet werden. Dazu wird das Gesetz nach Henry angewendet welches besagt, dass die Sauerstoffkonzentration proportional zum Sauerstoffpartialdruck ( $pO_2$ ) ist.

$$CI = pO_2 \times a$$

$a$  = Löslichkeitsfaktor

Wenn « $a$ » konstant ist, kann die Sauerstoffkonzentration mit der Elektrode bestimmt werden. Dies stimmt jedoch nur bei konstanter Temperatur und für verdünnte wässrige Lösungen, wie zum Beispiel Trinkwasser.

Der Löslichkeitsfaktor ist nicht nur im starken Masse von der Temperatur abhängig, sondern auch von der Zusammensetzung des Messmediums:

<b>Medium, gesättigt mit Luft</b>	<b>Löslichkeit bei 20 °C und 760 mm Hg</b>
Wasser	9,2 mg O <sub>2</sub> /l
4 mol/l KCl	2 mg O <sub>2</sub> /l
50 % Methanol-Wasser	21,9 mg O <sub>2</sub> /l

Obwohl die Löslichkeit sehr stark variiert, ergeben die Messungen mit der Sauerstoffelektrode für alle Messmedien den gleichen Wert.

Folglich ist die Bestimmung der Sauerstoffkonzentration nur möglich, wenn der Löslichkeitsfaktor «a» bekannt und konstant ist.

Die Löslichkeit kann mit einer Winkler-Titration oder der durch Käppeli und Fiechter entwickelten Methode bestimmt werden.

### **Messung in Gasen**

Die Sauerstoffkonzentration bei der Messung in Gasen wird immer als Volumenanteil der Gaszusammensetzung angegeben. Gängige Einheiten sind % (Vol.) und ppm (Vol.).

Sie lassen sich einfach von der einen in die andere Masseinheit umrechnen.

Beispiel:

Allgemein bekannt sind die Volumenprozent Angaben bei der Zusammensetzung der Luft. So enthält Luft beispielsweise 20,95 % Sauerstoff. Dies entspricht 209'500 ppm (Vol.).

(Umrechnung: Wert ppm = 10'000 × Wert in %)

### **Referenzen**

- W.M. Krebs, I.A. Haddad Develop. Ind. Microbio., 13, 113 (1972)
- H. Bühler, W. Ingold GIT 20, 977 (1976)
- W.M. Krebs, MBAA Techn. Quart. 16, 176 (1975)
- D.P. Lucero, Ana. Chem. 40, 707 (1968)




# **Sondes O<sub>2</sub>** **InPro 6850 i, 6900 i & 6950 i**

## **Instructions d'utilisation**

InDip, InFit, InPro, ISM et InTrac sont des marques déposées du groupe Mettler Toledo en Suisse et dans douze autres pays.

## Table des matières

<b>1</b>	<b>Introduction</b>	<b>80</b>
<b>2</b>	<b>Remarques importantes</b>	<b>81</b>
2.1	Remarques concernant les instructions d'utilisation	81
2.2	Emploi approprié	81
2.3	Consignes de sécurité	82
2.4	Quelques exemples typiques d'application	83
2.5	Utilisation dans les zones Ex	83
2.6	Classification Ex selon ATEX	84
2.6.1	Introduction	84
2.6.2	Caractéristiques nominales	84
2.6.3	Conditions spéciales	85
2.7	 Classification EX – FM Approved	86
<b>3</b>	<b>Description du produit</b>	<b>87</b>
3.1	Informations générales	87
3.2	Principe de fonctionnement	87
3.3	Livraison	88
3.4	Pièces de l'appareil	89
<b>4</b>	<b>Installation</b>	<b>90</b>
4.1	Montage de la sonde	90
4.2	Connexion	90
4.2.1	Connexion de la sonde à un câble AK9	90
4.2.2	Connexion du câble AK9 au transmetteur	91
<b>5</b>	<b>Fonctionnement</b>	<b>92</b>
5.1	Mise en service et polarisation	92
5.2	Étalonnage	93
5.2.1	L'effet de l'étalonnage	93
5.2.2	A quoi faut-il veiller pendant l'étalonnage	93
5.2.3	Étalonnage à un point	94
5.2.4	Étalonnage à deux points	94
<b>6</b>	<b>Entretien</b>	<b>95</b>
6.1	Contrôle de la sonde	95
6.1.1	Examen visuel	95
6.1.2	Test de la sonde avec le O <sub>2</sub> Sensor-Master de METTLER TOLEDO	96
6.1.3	Test de la sonde à l'aide d'un transmetteur	97
6.1.4	Version ISM	98
6.2	Remplacer l'électrolyte ou le module à membrane ou le corps interne	98
<b>7</b>	<b>Conservation</b>	<b>101</b>
<b>8</b>	<b>Caractéristiques du produit</b>	<b>101</b>
8.1	Certificats	101
8.2	Spécifications	102
<b>9</b>	<b>Informations pour la commande</b>	<b>104</b>
9.1	Sondes avec fonctionnalité ISM	104
<b>9.2</b>	<b>Accessoires</b>	<b>104</b>
9.3	Pièces de rechange	104
9.4	Transmetteurs recommandés	105
9.5	Supports recommandés	106
<b>10</b>	<b>Théorie de la sonde polarographique</b>	<b>107</b>
10.1	Introduction	107
10.2	<b>Principe de conception d'une sonde à oxygène</b>	<b>108</b>
10.3	Paramètres déterminant le courant	111
10.4	La tension de polarisation	111
10.5	La température	112
10.6	Dépendance relative à l'écoulement	112
10.7	Pression partielle d'oxygène – concentration en oxygène	113

## 1 Introduction

Nous vous remercions d'avoir acheté **la sonde O<sub>2</sub> InPro® 6850i/6900i/6950i de METTLER TOLEDO.**

Les sondes de la série InPro sont construites selon l'état actuel de la technique et correspondent aux règles techniques de sécurité reconnues.

Cela n'empêche, qu'en cas de fausse manipulation, elles puissent présenter des dangers pour l'opérateur ou pour des tiers, ou encore pour l'installation elle-même ou d'autres biens corporels.



**C'est pourquoi les personnes concernées doivent d'abord lire et comprendre les Instructions d'utilisation.**

Les instructions d'utilisation doivent être conservées à portée de main, dans un endroit accessible à toutes les personnes utilisant la sonde.

Pour toute question non exposée exhaustivement ou ne figurant pas dans les présentes instructions d'utilisation, veuillez prendre contact avec votre représentant METTLER TOLEDO. Nous sommes volontiers à votre disposition.



## 2 Remarques importantes

### 2.1 Remarques concernant les instructions d'utilisation

Les instructions d'utilisation vous expliquent comment utiliser la sonde InPro 6850 i/6900 i/6950 i de manière efficace et tel qu'il se doit.

Ces instructions d'utilisation s'adressent au personnel en charge de l'utilisation et de la maintenance des sondes, personnel qui est supposé connaître l'installation dans laquelle la sonde est intégrée.

#### Notes et symboles d'avertissement

Dans ce mode d'emploi, les consignes de sécurité et autres informations sont signalées par les symboles suivants :



**Ce symbole a pour but d'attirer l'attention sur les consignes de sécurité et avertissements relatifs à des dangers potentiels qui, s'ils ne sont pas pris en considération, pourraient être à l'origine de blessures et/ou de dommages.**



**Ce symbole signale des informations ou instructions complémentaires qui, si elles ne sont pas prises en compte, pourraient occasionner des défauts, un fonctionnement inefficace ou une éventuelle diminution de la production.**

### 2.2 Emploi approprié

**Les capteurs METTLER TOLEDO InPro 6850 i/6900 i/6950 i servent à la mesure en ligne de la pression partielle d'oxygène dans les liquides et les gaz, conformément aux indications de cette notice d'emploi.**

Un emploi différent ou dépassant celui décrit dans cette notice d'emploi n'est pas considéré comme approprié.

Le fabricant/fournisseur décline toute responsabilité en cas de dommages résultant d'un tel emploi, dont seul l'utilisateur assume le risque.

L'emploi approprié suppose de plus :

- Le respect des instructions, consignes et remarques de la présente notice d'emploi.
- L'inspection, l'entretien et le contrôle de fonctionnement périodiques des composants utilisés incombent à l'utilisateur qui doit, en outre, respecter les prescriptions locales de sécurité du travail et des installations.
- Le respect de toutes les remarques et mises en garde dans les publications concernant les produits utilisés en combinaison avec le capteur (supports, transmetteurs, etc.).

- Le respect des consignes de sécurité de l'installation sur laquelle le capteur est monté.
- L'utilisation correcte en respectant les conditions d'exploitation et de protection de l'environnement prescrites ainsi que les installations accessoires autorisées.
- En cas d'incertitude, s'informer impérativement auprès de METTLER TOLEDO.

### 2.3 Consignes de sécurité



- L'exploitant de l'installation doit être conscient des éventuels risques et dangers de son procédé ou installation. Il est responsable de la formation du personnel servant, de la signalisation des dangers potentiels et du choix de l'instrumentation appropriée en fonction de l'état de la technique.
- Le personnel servant impliqué dans la mise en service, l'utilisation et l'entretien de ce capteur ou d'un de ses produits auxiliaires (supports, transmetteurs, etc.) doit nécessairement être instruit du procédé de production et des produits. Ceci inclut la lecture et la compréhension de la présente notice d'emploi.
- La sécurité du personnel servant et des installations incombe en dernier ressort à l'exploitant de l'installation. Ceci s'applique notamment aux installations se trouvant dans des zones à danger d'explosion.
- Le capteur d'oxygène et ses composants n'ont pas d'effet sur le procédé et ne peuvent l'influencer dans le sens d'une régulation ou d'un pilotage.
- Les intervalles d'entretien et de maintenance dépendent des conditions d'exploitation, des substances présentes, de l'installation et de la signification du système de mesure en matière de sécurité. Les procédés des clients varient fortement, de sorte que les indications données ne peuvent être qu'indicatives et doivent, dans chaque cas, être vérifiées par l'exploitant de l'installation.
- Si des mesures de protection particulières sont exigées, telles que des serrures, inscriptions ou systèmes de mesure redondants, l'exploitant est chargé de les prévoir.
- Un capteur défectueux ne doit ni être monté ni mis en service.
- Des travaux d'entretien autres que ceux décrits dans cette notice d'emploi ne doivent pas être effectués sur le capteur.
- N'utilisez que des pièces d'origine METTLER TOLEDO pour le remplacement de composants défectueux (voir « Chapitre 9.3, Pièces de rechange »).

- Ne pas apporter de modifications aux capteurs et aux accessoires. Le fabricant/fournisseur décline toute responsabilité en cas de modifications non autorisées, dont seul l'utilisateur assume le risque.

## 2.4 Quelques exemples typiques d'application

La liste suivante énumère quelques exemples d'application typiques, non limitatifs, du capteur d'oxygène.

### Mesure dans des liquides :

- Biotechnologie
- Applications chimiques
- Brasseries
- Filtration de boissons
- Conditionnement de boissons

### Mesure dans des gaz :

- Récupération de CO<sub>2</sub>
- Pureté du CO<sub>2</sub>
- Protection du produit lors du stockage
- Production exempte d'oxygène

## 2.5 Utilisation dans les zones Ex



### Prudence !

Pour une installation dans les zones Ex veuillez-vous référer aux indications suivantes :

 1258

### Classification Ex selon ATEX :

 Ex ia IIC T6/T5/T4/T3 Ga/Gb


 Ex ia IIIC T69°C/T81°C/T109°C/T161°C Da/Db

### Numéro du certificat de vérification :

SEV 14 ATEX 0169 X

IECEX SEV 14.0026X

### Ex-classification FM éprouvé :

 IS/I, II, III/1/ABCDEFGH/T6 Ta = 60 °C  
– 53 800 002; Entity

## 2.6 Classification Ex selon ATEX

### 2.6.1 Introduction

Conformément à la directive 94/9/CE (ATEX 95), Annexe I, les sondes à oxygène (O<sub>2</sub>) de type InPro 6XXX appartiennent au groupe d'appareils II, catégorie 1/2G qui, conformément à la directive 99/92/CE (ATEX 137), peuvent être utilisés dans les zones 0/1, 1/2, 1 ou 2, ainsi que dans les groupes de gaz IIA, IIB et IIC qui sont potentiellement explosifs en présence de matériaux combustibles dans la plage de température des classes T3 à T6.

Les exigences de la norme européenne EN 60079-14 doivent être respectées lors de l'utilisation/installation.

Conformément à la directive 94/9/CE (ATEX 95), Annexe I, les sondes à oxygène (O<sub>2</sub>) de type InPro 6XXX appartiennent au groupe d'appareils II, catégorie 1/2D qui, conformément à la directive 99/92/CE (ATEX 137), peuvent être utilisés dans les zones 20/21, 21/22, 21 ou 22 qui sont potentiellement explosives en présence de poussières combustibles.

Les exigences de la norme européenne EN 60079-14 doivent être respectées lors de l'utilisation/installation.

En ce qui concerne la version analogique des sondes à oxygène (O<sub>2</sub>), les circuits de mesure de l'O<sub>2</sub> et de la température ainsi que le circuit de la puce de données font partie du système de sécurité intrinsèque commun et sont raccordés ensemble à un transmetteur homologué séparément, qui permet de les actionner.

La version numérique de la sonde à oxygène (O<sub>2</sub>) est raccordée à un câble à deux fils connecté au transmetteur homologué, qui permet de l'actionner.

Les circuits de sécurité intrinsèque sont isolés des circuits de sécurité non intrinsèque de manière galvanique jusqu'à une valeur de crête de la tension nominale de 375V. Ils sont également isolés des installations mises à la terre de manière galvanique jusqu'à une valeur de crête de la tension nominale de 30V.

### 2.6.2 Caractéristiques nominales

#### **Sonde à oxygène (O<sub>2</sub>) analogique**

Type de protection : sécurité intrinsèque Ex ia IIC

#### **Circuit de mesure de l'O<sub>2</sub>, circuit de mesure de la température et circuit de la puce de données**

Uniquement pour le raccordement aux circuits de sécurité intrinsèque homologués. Valeurs maximales :

$U_i \leq 16 \text{ V}$ ,  $I_i \leq 190 \text{ mA}$ ,  $P_i \leq 200 \text{ mW}$   
 $L_i = 0$  (inductance interne effective)  
 $C_i = 900 \text{ pF}$  (capacité interne effective)

Les valeurs ci-dessus sont d'application et représentent la somme de tous les circuits individuels de l'alimentation à sécurité intrinsèque associée et de l'appareil de contrôle correspondant (transmetteur).

### Sonde à oxygène (O<sub>2</sub>) numérique

Type de protection : sécurité intrinsèque Ex ia IIC

#### Circuit de courant à deux fils

Uniquement pour le raccordement aux circuits de sécurité intrinsèque homologués.

Valeurs maximales :

$U_i \leq 16 \text{ V}$ ,  $I_i \leq 30 \text{ mA}$ ,  $P_i \leq 50 \text{ mW}$

$L_i =$  négligeable

$C_i =$  négligeable

### 2.6.3 Conditions spéciales

- Le lien entre la température du milieu/ambiante maximale autorisée et la classe de températures, pour les applications de la catégorie 1G, zone 0, est indiqué dans le tableau suivant :

Classe de températures	Température du milieu/ambiante max.
T 6	68 °C
T 5	80 °C
T 4	108 °C
T 3	160 °C

- Le lien entre la température du milieu/ambiante maximale autorisée et la classe de températures, pour les applications de la catégorie 1D, zone 20, est indiqué dans le tableau suivant :

Classe de températures	Température du milieu/ambiante max.
T 69 °C	68 °C
T 81 °C	80 °C
T 109 °C	108 °C
T 161 °C	160 °C

- La capacitance et l'inductance du câble raccordé doivent être prises en compte.
- La sonde à oxygène (O<sub>2</sub>) de type InPro 6XXX peut être fixée sur des supports InFit® 76\*-\*<sup>\*\*\*</sup> ou InTrac® 7\*\*-\*<sup>\*\*\*</sup> ou sur d'autres supports adaptés aux zones potentiellement explosives.
- La structure métallique des sondes à oxygène (O<sub>2</sub>), les supports InFit 76\*-\*<sup>\*\*\*</sup> ou InTrac 7\*\*-\*<sup>\*\*\*</sup>, ainsi que d'autres raccords appropriés peuvent être intégrés au test de pression de routine du système.
- Le raccord indépendant utilisé pour l'installation des sondes à oxygène (O<sub>2</sub>) doit être raccordé de façon conductrice au système de liaison équipotentielle.

## 2.7



## Classification EX – FM Approved

NONHAZARDOUS LOCATION		HAZARDOUS (CLASSIFIED) LOCATION	
<p>Any FMRC Approved Single Multi-Channel Barrier or Apparatus</p>		<p>Class I, Division 1, Groups A, B, C and D Class II, Division 1, Groups E, F, and G Class III, Division 1 T6 Ta=60 °C</p>	
<p>Notes:</p> <ol style="list-style-type: none"> <li>No revision to this drawing is permitted without FMRC approval.</li> <li><math>V_{max} &gt; V_t</math>; <math>I_{max} &gt; I_t</math>; <math>(C_i \text{ of all loops} + C \text{ cable}) &lt; C_a</math>; <math>(L_i \text{ of all loops} + L \text{ cable}) &lt; L_a</math> <math>P_{max}</math> or <math>P_i &gt; P_o</math></li> <li>Single Multi-Channel IS Barrier or Apparatus must be FMRC Approved.</li> <li>Single Multi-Channel IS Barrier or Apparatus manufacturer's control drawings must be followed when installing the System. IS Barrier or Equipment may be installed within the Hazardous (Classified) location for which it is approved.</li> <li>Installation must be in accordance with Article 500 of the NEC<sup>®</sup>(ANSI/NFPA 70) and ANSI/ISA RP12.6.</li> </ol>		<p>Entity Parameters: <math>V_{max} (U_i) = 16V</math>, <math>I_{max} (I_i) = 50mA</math>, <math>P_i = 0.25W</math> <math>C_i = 0.1 \mu F</math>, <math>L_i = 0 mH</math></p>	
<p>WARNING: substitution of components may impair intrinsic safety.</p>		<p>Probe</p>	
		<p>Drawn: F. Kogelmann 11-Dec-03 Scale: 1:1 Change: Darío Meier 25-Mar-16 Format: DIN A3 Note: - Replaces: - Drawing No: 53800002 Index: E.4</p>	
		<p>Process Analytics CH-8802 Urdorf Schutzvermerk ISO 16016 beachten! / Refer to protection notice ISO 16016 Title: FM control drawing Model: MODEL NAME E.4 ArticleNr.: 53800002 Drawing: E.4 ReLevel: Released Sheet: 1/1</p>	

## 3 Description du produit

### 3.1 Informations générales

**Les sondes de la série InPro 6850 i/6900 i/6950 i** avec sonde de température intégrée sont utilisées pour la mesure précise de faibles et moyennes concentrations d'oxygène.

Les sondes sont **stérilisables** et la plupart sont **autoclavables**. Les sondes sont **compatible NEP** (Nettoyage-En-Place).

Les sondes InPro 6xxx i avec fonctionnalité ISM<sup>®</sup> permettent le « Plug & Measure » et offrent des fonctionnalités de diagnostic étendues.

### 3.2 Principe de fonctionnement

#### **Sondes d'oxygène polarographiques :**

Le système de mesure de toutes les sondes d'oxygène polarographiques repose sur la configuration de Clark. Il existe toutefois différents modèles dont les spécifications varient nettement en fonction du nombre et de l'implantation des électrodes :

- Le système de mesure des sondes InPro se compose d'une électrode de travail (cathode), d'une contre-électrode (anode), d'une électrode de référence et d'un anneau de garde. Le système de mesure est séparé du milieu du procédé par une membrane perméable à l'oxygène.
- Toutes les sondes utilisent le même principe de mesure.
- Le transmetteur génère une tension constante entre la cathode et l'anode.
- L'électrolyte sert à établir une liaison conductrice entre les électrodes.
- Les molécules d'oxygène se diffusent du milieu de mesure, à travers le diaphragme, en direction de la cathode alimentée en tension, et sont réduites. Simultanément, une oxydation se produit au niveau de l'anode lors de l'arrivée de l'oxygène et de l'eau dans l'électrolyte.
- Ainsi, un courant circule entre l'anode et la cathode ; il est directement proportionnel à la pression partielle de l'oxygène ( $pO_2$ ) dans le milieu du procédé. Dans le cas des versions avec ISM numérique, l'intensité du courant à l'intérieur de la sonde est convertie en une concentration en oxygène, dont la valeur est communiquée au transmetteur.
- L'anneau de garde intégré à la sonde InPro 6900 i et à l'InPro 6950 i réduit l'oxygène, qui peut se diffuser latéralement vers la cathode et falsifier la mesure. L'anneau de garde permet donc d'identifier précisément des traces d'oxygène, même dans les concentrations les plus faibles.

Le système à 4 électrodes de la sonde InPro 6950 garantit une grande justesse, une réponse rapide et une limite de détection basse.



**Indication : pour de plus amples informations, reportez-vous au « Chapitre 10 – Théorie de la sonde polarographique ».**

### **Sondes ISM :**

Toutes les sondes à oxygène avec suffixe « i » (6850i, 6900i, 6950i) sont équipées de l'ISM.

Principe : la tête de la sonde est équipée d'une puce. Celle-ci sert non seulement à commander et contrôler la sonde, mais aussi à enregistrer l'ensemble des données. Cette puce communique avec le transmetteur.

Les données de la sonde disponibles en permanence sont les suivantes :

- Type de sonde
- Numéro de série
- Version logicielle
- Version matérielle
- Numéro de commande
- Durée de service
- Date et heure d'étalonnage
- Table d'étalonnage

Les grandeurs surveillées à des fins de contrôle sont les suivantes :

- Température
- Pente
- Courant résiduel
- Courant de l'air
- Tension de polarisation

C'est sur ces informations que le moniteur d'usure du transmetteur se fonde. La représentation des informations varie selon le type de transmetteur. (Reportez-vous aux instructions d'utilisation afférentes.)

L'ISM forme une interface entre la sonde et le logiciel iSense. Ce logiciel gère toutes les informations relatives à la sonde, lesquelles sont consignées dans une base de données. Il permet également d'étalonner la sonde.

### **3.3 Livraison**

Chaque sonde est complètement montée et testée en usine afin de garantir un fonctionnement correct. La sonde est livrée avec :

- un certificat de contrôle de la qualité
- des certificats d'examen 3.1 (en conformité avec la norme EN 10204)

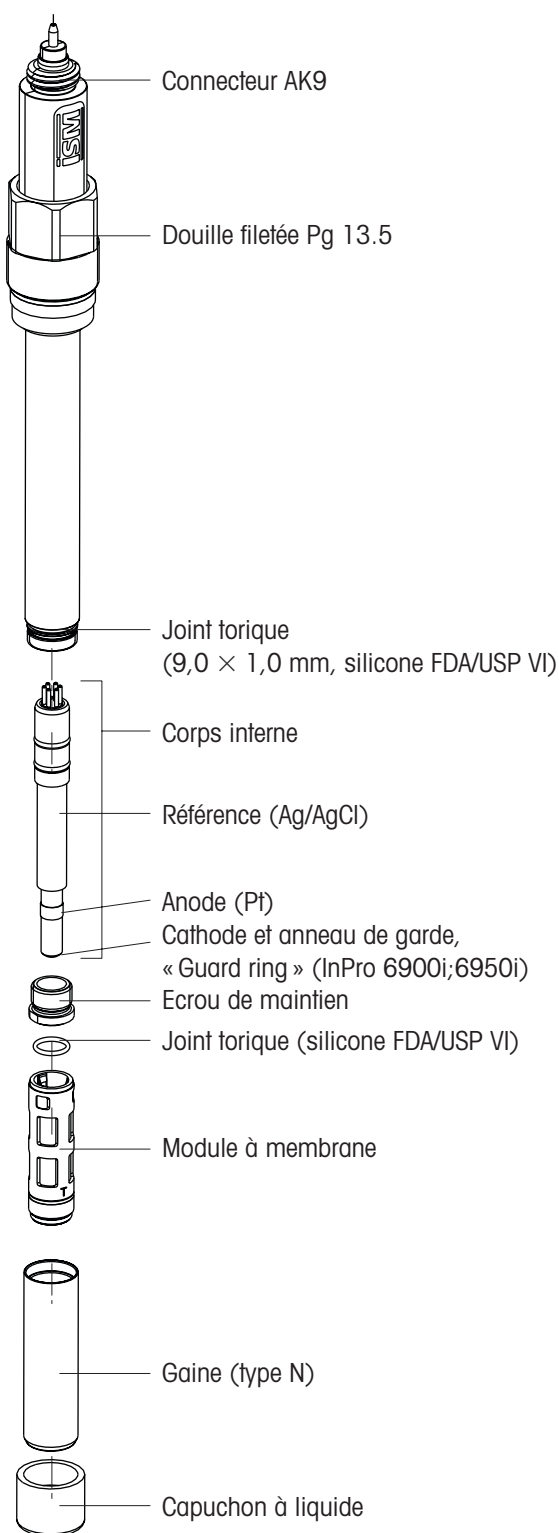
Les sondes ISM d'oxygène de METTLER TOLEDO sont fournies avec le module de membrane correct et capuchon de protection, mais sans électrolyte. Ils ont été vérifiés pour un fonctionnement correct. Veuillez s'il vous plaît prendre note des informations pour la commande d'électrolyte dans la section 9.3 «Accessoires».

Dans le cas des sondes numériques, il est nécessaire de faire un appoint d'électrolyte avant la mise en service.



### 3.4 Pièces de l'appareil

#### Sonde 12 mm



Les sondes ISM O<sub>2</sub> METTLER TOLEDO sont livrées avec module à membrane monté, sans électrolyte et avec capuchon de protection placé. Leur fonctionnement a été testé.

## 4 Installation

### 4.1 Montage de la sonde



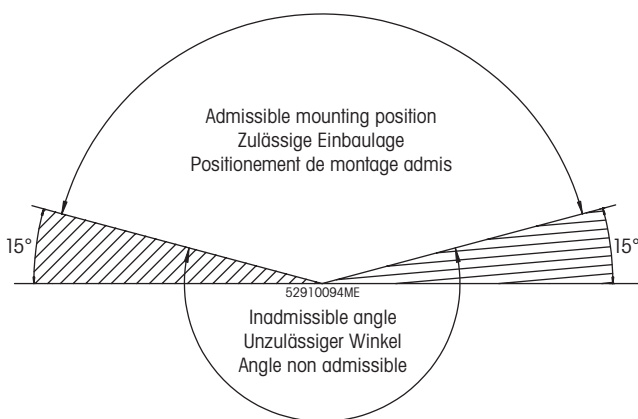
**Important ! Avant de monter la sonde, enlevez le capuchon de protection.**

#### Montage de la sonde dans un support

Veillez vous reporter au manuel du support afin de savoir comment monter la sonde à cet endroit.

#### Montage de la sonde, directement sur un tuyau ou une cuve

Les sondes O<sub>2</sub> 12 mm peuvent être montées directement sur un manchon avec un filet femelle Pg 13.5 et fixés en place au moyen le manchon fileté Pg 13.5.



### 4.2 Connexion

#### 4.2.1 Connexion de la sonde à un câble AK9

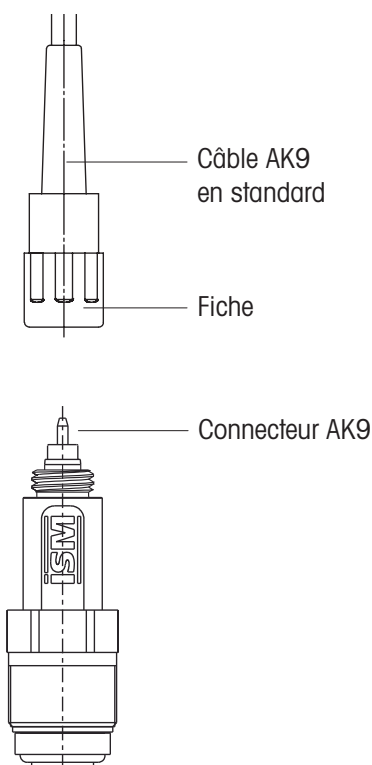


**La sonde est connectée à un transmetteur à l'aide d'un câble AK9. Dans des conditions d'utilisation industrielles lourdes, le câble AK9 garantit une connexion fiable entre le transmetteur et la sonde. La robuste fiche de connexion IP 68 étanche garantit une sécurité maximale lors de l'utilisation de l'appareil.**

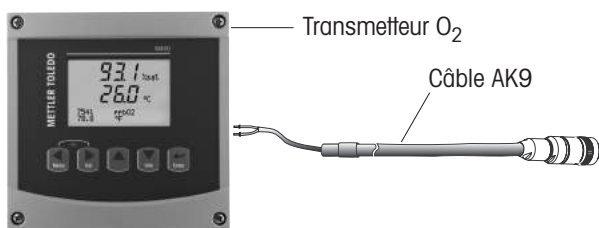


**Évitez d'entrer en contact avec le connecteur AK9 de la sonde !**

Serrez fermement la fiche pour assembler les deux parties.



#### 4.2.2 Connexion du câble AK9 au transmetteur



**Indication : pour relier le câble AK9 au transmetteur veuillez suivre les instructions de la notice d'emploi du transmetteur METTLER TOLEDO.**

## 5 Fonctionnement



**Important ! Il faut verser l'électrolyte avant la première mise en service (voir « Chapitre 6.2 »).**

### 5.1 Mise en service et polarisation

Important ! Avant le montage/la mise en service de la sonde, enlevez le capuchon de protection.

Lors de la première mise en service de la sonde, ou si la sonde a été déconnectée de sa source de tension (transmetteur ou module de polarisation) pendant plus de 5 minutes, la sonde doit être polarisée, avant étalonnage, en la reliant au transmetteur O<sub>2</sub> en marche ou à un module de polarisation. La sonde est polarisée et prête à fonctionner au bout de six heures.

#### L'InPro 6950 i ne doit jamais être polarisé à l'air!

Durant le processus de polarisation, nous vous conseillons de laisser sur la sonde le capuchon de protection rempli de solution de nettoyage et de conditionnement nouvelle (reportez-vous au « Chapitre 7 – Conservation »), surtout lorsque la polarisation dure plus de 6 heures.

Une durée de polarisation plus courte suffit si l'interruption a été brève (quelques minutes). Le tableau suivant sert à déterminer la durée de polarisation correcte en fonction de la durée de dépolarisation.

Durée de polarisation <sup>1</sup> $t_{\text{depol}}$ [Min.]	Durée minimal de polarisation requise <sup>2</sup> [Min.]
> 30	360
15 à 30	$6 \times t_{\text{depol}}$
5 à 15	$4 \times t_{\text{depol}}$
< 5	$2 \times t_{\text{depol}}$

- 1 Durée de dépolarisation : Durée pendant laquelle la tension de polarisation n'est pas appliquée, ce qui est le cas :
  - si le câble est détaché ou si le transmetteur ou le module de polarisation n'est pas relié au câble, ou si le transmetteur a été séparé de l'alimentation,
  - après le remplacement de l'électrolyte et/ou du module à membrane, après lesquels on doit polariser au moins pendant 6 h.
- 2 Durée de polarisation : Durée pendant laquelle la tension de polarisation est appliquée à la sonde.



**Important ! Réglage de la tension de polarisation pour une mesure correcte :**

- Applications standard InPro 6850 i : **–675 mV**
- Mesures de concentrations d'oxygène constamment faibles (< 500 ppb en liquide ou < 10'000 ppm [vol.] en gaz) en présence de

composants acides volatils (par exemple dioxyde de carbone pour les mesures en brasserie) p. ex. InPro 6900 i/6950 i : **-500 mV**



**Indication : Le transmetteur doit être réglé de façon à délivrer la tension de polarisation correcte.**

## 5.2 Etalonnage

### 5.2.1 L'effet de l'étalonnage

Chaque sonde d'oxygène a une pente et un zéro caractéristiques. Les deux valeurs changent, par exemple, par épuisement de l'électrolyte ou après remplacement de l'électrolyte ou du module à membrane. Afin que la sonde mesure avec une haute exactitude, il faut par conséquent effectuer un étalonnage régulièrement, au moins toutefois après remplacement de l'électrolyte ou de la membrane. Avant l'étalonnage, il faut polariser la sonde pendant au moins 6 heures.



**Avant l'étalonnage, ôtez le capuchon de protection et rincez la sonde à l'eau. Ensuite, laissez sécher cette dernière durant 10 minutes au moins.**



**Afin de savoir si votre sonde a besoin d'être étalonnée, vous pouvez la sécher, la soulever dans l'air et vous assurer qu'elle affiche près de 100%. Dans le cas contraire, votre sonde nécessite un nouvel étalonnage.**

Avec les versions ISM, toutes les données d'étalonnage sont enregistrées à l'intérieur même de la sonde.

### 5.2.2 A quoi faut-il veiller pendant l'étalonnage

Le calibrage s'effectue généralement avec la tension de polarisation, qui le mesure également.

Un calibrage de point zéro est recommandé :

- en cas de mesure inférieure à 5 ppb dans un liquide,
- en cas de mesure inférieure à 125 ppm (vol.) dans des gaz.

Le programme de calibrage disponible automatiquement dans le transmetteur M700 (SW700-011 « compensation de CO<sub>2</sub> ») ne convient pas aux sondes InPro 6900 i/6950 i .



**Indications générales :**

- **En cas d'étalonnage par l'air, la membrane de la sonde doit être sèche**, car des gouttes d'eau adhérant à la membrane faussent la valeur de mesure de l'oxygène.
- Assurez-vous que **l'indice de saturation en oxygène** du milieu d'étalonnage est **juste et reste constant** pendant l'étalonnage.

- Si l'étalonnage a lieu dans l'eau ou dans un milieu de mesure, **le milieu d'étalonnage doit être en état d'équilibre avec l'air**. L'échange d'oxygène entre l'eau et l'air est très lent. Il faut par conséquent relativement longtemps pour saturer l'eau en air.
- Un minimum de circulation est nécessaire dans le milieu qui baigne la sonde.
- Veiller à maintenir constants tous les autres paramètres comme la température et la pression.

En fonctionnement continu nous recommandons un **réétalonnage périodique dépendant de l'exactitude souhaitée, de la nature du procédé et de votre expérience**. La fréquence de réétalonnage requise dépend fortement de l'application et ne peut donc pas être indiquée avec exactitude à cet endroit.

### 5.2.3 Etalonnage à un point

L'étalonnage à un point détermine la pente de la sonde. Le milieu d'étalonnage est de l'eau avec une saturation en oxygène connue (par exemple eau saturée d'air) ou de l'air avec une saturation en vapeur d'eau connue (air saturé en vapeur d'eau).

Lorsque le signal de la sonde est stable, la grandeur de mesure voulue est amenée à 100 % sur le transmetteur, par exemple 100 % air, 20,95 % O<sub>2</sub> ou 8,26 ppm – à 25 °C, pression normale (voir mode d'emploi du transmetteur).

### 5.2.4 Etalonnage à deux points

L'étalonnage à deux points détermine la pente et le zéro de la sonde.



**Important ! En cas d'étalonnage à deux points, commencez toujours par le point d'étalonnage zéro avant de procéder à l'étalonnage de la pente.**

En règle générale le zéro devrait être réglé sur zéro ou il est automatiquement posé à zéro par le transmetteur (voir mode d'emploi du transmetteur).

Un calibrage de point zéro est recommandé :

- en cas de mesure inférieure à 5 ppb dans des liquides,
- en cas de mesure inférieure à 125 ppm (vol.) dans des gaz.



**Prudence ! Un étalonnage incorrect du zéro constitue une fréquente source d'erreur. Pour le réaliser correctement nous recommandons d'utiliser de dioxyde de carbone comme milieu de mesure du zéro ou un autre milieu exempt d'oxygène et d'un degré de pureté d'au moins 99,9995 %.**

Lorsque le signal de la sonde est stable (après 6 à 12 heures), la grandeur de mesure voulue est amenée à zéro sur le transmetteur, par exemple 0 % air, 0,0 % O<sub>2</sub> ou 0,0 ppm (voir mode d'emploi du transmetteur).

## 6 Entretien

### 6.1 Contrôle de la sonde

#### 6.1.1 Examen visuel

Pour contrôler la sonde, nous recommandons de procéder comme suit :

- Les contacts du connecteur doivent être secs. La présence d'humidité, de traces de corrosion et de saletés sur les contacts peut causer de fausses valeurs de mesure.
- Vérifier que le câble ne présente pas de pliures, de points fragiles ou de ruptures.
- Avant chaque étalonnage vérifier visuellement le bon état de la membrane. Elle doit être intacte et propre. Si elle est sale, nettoyer la membrane avec un chiffon doux et humide.



**Indication: pour autant qu'elle soit intacte, une membrane qui ondule n'a aucun impact sur les performances de la sonde.**

- Il faut remplacer le module à membrane lorsque la sonde a un temps de réponse trop long, lorsque la valeur de mesure est instable ou dérive, lorsque la sonde ne peut plus être étalonnée ou lorsque la membrane est endommagée.
- Vérifier l'absence de décolorations, de dépôts et de fissures du verre autour de la cathode. Le cas échéant, rincer à l'eau déminéralisée et nettoyer à l'aide d'un pinceau propre et doux ou d'un mouchoir en papier doux.



**Prudence ! Ne pas utiliser de produits de nettoyage ou de l'alcool. Ils peuvent endommager la sonde ou entraîner des signaux parasites.**

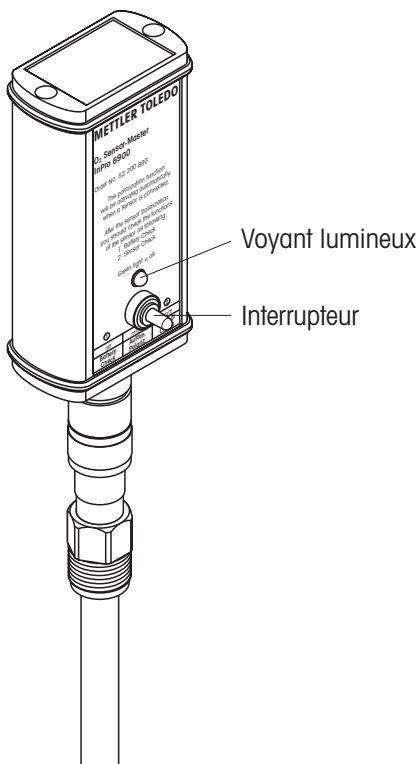


**Prudence ! Le corps en verre est fragile et sensible aux chocs.**

### 6.1.2 Test de la sonde avec le O<sub>2</sub> Sensor-Master de METTLER TOLEDO

Nous vous recommandons d'utiliser le O<sub>2</sub> Sensor-Master de METTLER TOLEDO afin de vérifier la qualité de votre sonde. Pour ce faire, procédez comme suit :

- Connectez la sonde au O<sub>2</sub> Sensor-Master.



La fonction de polarisation est activée dès la connexion de la sonde au O<sub>2</sub> Sensor-Master. Si la sonde a été débranchée du transmetteur pendant plus de 5 minutes, polarisez la sonde (temps de polarisation, voir « Chapitre 5.1 ») afin d'obtenir des résultats de test représentatifs.

- **Vérification de la pile :**  
Poussez l'interrupteur vers la gauche. Si la pile est en bon état et que le O<sub>2</sub> Sensor-Master est opérationnel, un voyant lumineux vert s'allume. Si tel n'est pas le cas, consultez le mode d'emploi du O<sub>2</sub> Sensor-Master.
- **Vérification de la sonde :**  
Avant d'effectuer ce test, **la sonde doit être polarisée et la membrane de la sonde doit être propre et sèche.**

Tenir la sonde connectée au O<sub>2</sub> Sensor-Master dans l'air et pousser l'interrupteur vers la droite en position « 2 – Sensor check ». Le O<sub>2</sub> Sensor-Master contrôle alors le courant de la sonde dans l'air ambiant. Ce dernier doit se trouver dans un domaine de valeurs prédéterminé p. ex. 2500 à 6000 nA pour l'InPro 6950i.

Si la diode verte s'allume, le courant se trouve dans ce domaine.



Si le voyant lumineux ne s'allume pas, vous devez vérifier la pile du O<sub>2</sub> Sensor-Master (voir instructions d'utilisation « Accessoires »). Si la pile fonctionne, cela signifie qu'il y a probablement un problème au niveau de votre sonde. Vous devez, dans ce cas, changer l'électrolyte et/ou la cartouche à membrane de la sonde. Si, une fois la membrane remplacée, le voyant ne s'allume toujours pas, cela signifie qu'il y a peut-être un problème au niveau du corps interne. Vous devez alors le remplacer (voir « Chapitre 6.2 »).



**Important ! Cette fonction ne vérifie que le courant dans l'air de la sonde. Pour avoir une garantie totale du bon fonctionnement de la sonde, un contrôle du courant résiduel dans un milieu sans oxygène doit être effectué (voir « Chapitre 6.1.3 »).**

### 6.1.3 Test de la sonde à l'aide d'un transmetteur

Pour contrôler le bon fonctionnement de la sonde, une mesure périodique du courant de zéro est recommandée (**pas d'étalonnage du zéro!**).



**Indication : La sonde doit être polarisée au moment du contrôle.**

Elle se fait à l'aide du gel de courant zéro (n° de cmde. 30 300 435) mais peut aussi se faire dans des gaz d'étalonnage (azote ou dioxyde de carbone, pureté d'au moins 99,995 %) ou dans un milieu saturé par ces gaz.

Après 2 minutes dans un milieu exempt d'oxygène, la sonde doit indiquer moins de 10 % de la valeur de mesure dans l'air et, après 10 minutes, moins de 1 % de cette valeur.

Des valeurs trop élevées signalent un épuisement de l'électrolyte ou une membrane défectueuse. Dans le premier cas, il faut remplacer l'électrolyte et, dans le second, le module à membrane et l'électrolyte.

Si les valeurs indiquées ci-dessus ne sont pas atteintes après remplacement de l'électrolyte et du module à membrane, vous devez alors remplacer le corps interne. Si cette mesure ne corrige toujours pas le résultat, renvoyez la sonde pour inspection à votre agence METTLER TOLEDO.

Beaucoup de milieux de mesure contiennent des substances volatiles qui ont une odeur clairement perceptible, même à très faible concentration. Comme l'oxygène, ces substances peuvent s'introduire dans l'électrolyte à travers la membrane perméable aux gaz ; elles sont perceptibles au remplacement de l'électrolyte. Ces substances, ainsi qu'une légère coloration de l'électrolyte n'affectent pas, dans la plus part de cas, les propriétés de mesure de la sonde.

### 6.1.4 Version ISM

Les fonctions ISM intégrées offrent des possibilités étendues de surveillance des sondes. Les paramètres enregistrés dans les sondes sont les suivants :

- N° de série
- Type de sonde
- N° de commande
- Données d'étalonnage
- Compteur NEP/SEP
- Pente
- Point de zéro

Les procédures de contrôle automatique au démarrage sont les suivantes :

- Communication numérique
- « Plug & Measure »
- Pré-étalonnage
- Maintenance prédictive

## 6.2 Remplacer l'électrolyte ou le module à membrane ou le corps interne



**Indication : L'InPro 6900 i et 6950 i utilisent un électrolyte spécial contenant un anti-oxydant. Il garantit un temps de réaction court et augmente, grâce à la « guard ring », la stabilité du signal de la sonde. L'électrolyte doit être remplacé à intervalles réguliers et à coup sûr si la sonde a été exposée à l'air durant plus de 24 heures sans capuchon de mouillage rempli de solution de conditionnement .**



**Indication : Consommer l'électrolyte dans les 3 mois après la première ouverture du flacon d'électrolyte.**

Si la membrane et/ou le corps interne ne fonctionne plus parfaitement (temps de réponse trop long, courant de zéro important en milieu exempt d'oxygène, dommage mécanique, etc.), il faut remplacer le module à membrane et/ou le corps interne.



**Attention ! L'électrolyte O<sub>2</sub> est alcalin. Eviter le contact de l'électrolyte avec la peau, en particulier avec les muqueuses et les yeux. Pour cette raison, il faut porter des gants de protection et des lunettes de protection pour les travaux de remplacement suivantes. En cas de contamination, rincer abondamment la partie du corps touchée avec de l'eau. En cas de malaise consulter un médecin.**

Pour remplacer l'électrolyte ou le module à membrane ou le corps interne, respecter strictement la démarche suivante (voir aussi l'illustration ci-après) :



**Prudence ! Assurez-vous que les étapes de travail suivantes sont effectuées dans un environnement propre.**

1. Dévisser la gaine de la tige de sonde et la retirer avec précaution.
2. Retirer le module à membrane du corps interne. Si le module à membrane est coincée dans la gaine, l'en extraire en pressant avec la pulpe du doigt. Avant de remplacer l'électrolyte il faut impérativement extraire le module à membrane de la gaine !
3. Rincer le corps interne à l'eau déminéralisée et le sécher soigneusement avec un mouchoir en papier.



**Indication : Il faut uniquement exécuter les étapes 4 à 7 pour remplacer le corps interne.**

4. Dévissez l'écrou de maintien du corps interne au moyen d'une clé réglable ou d'une clé 9 mm.
5. Enlevez le corps interne en l'ôtant de l'axe de la sonde. Si nécessaire, utilisez une pince.

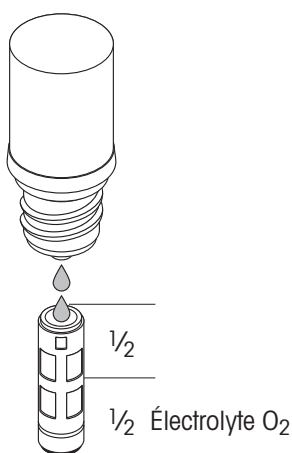



**Attention ! Ne faites pas tourner le corps interne en l'extrayant. Vous risqueriez d'endommager les tiges de connexion.**

6. Insérez le nouveau corps interne dans l'axe de la sonde. Tournez le corps interne dans l'axe jusqu'à ce que la rainure du corps interne soit aligné avec la tige placée dans l'axe.
7. Enfoncez le corps interne dans l'axe et vissez le nouvel écrou de maintien en place.
8. Vérifier visuellement le bon état des joints toriques et, si nécessaire, les remplacer.
9. Remplir à moitié le module à membrane neuf d'électrolyte O<sub>2</sub>.




**Indication : le flacon d'électrolyte est équipé d'un verseur spécial. Pour qu'il fonctionne correctement, le flacon doit être tenu verticalement, tête en bas, lors du remplissage.**



 **Indication : vérifier que le module à membrane rempli soit exempt de bulles d'air. Secouer avec précaution le module à membrane pour chasser les bulles d'air.**

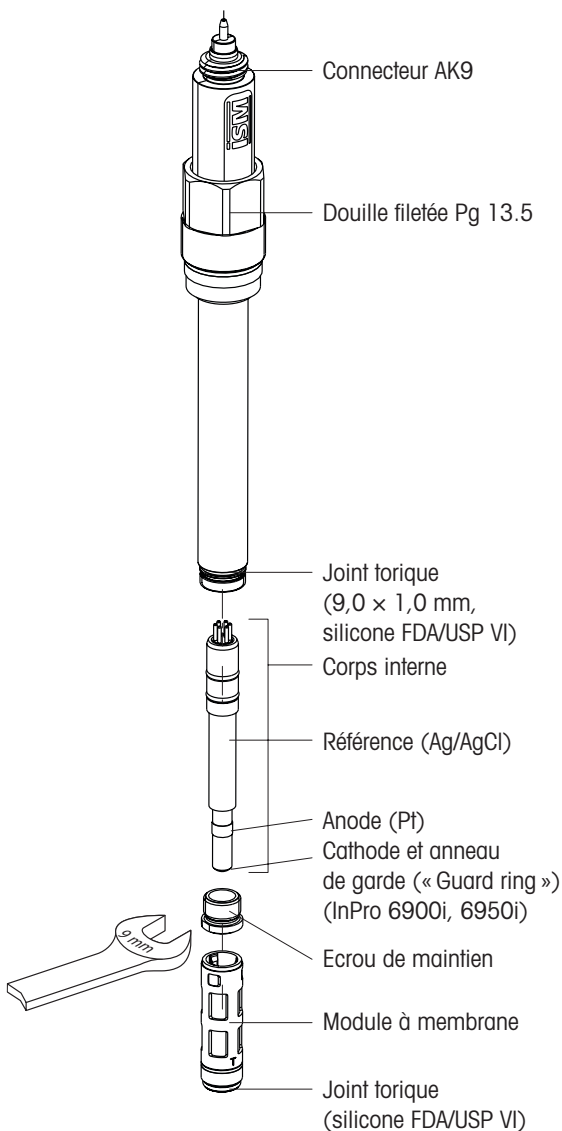
10. Engager le module à membrane en position verticale sur le corps interne. Enlever l'excédent d'électrolyte à l'aide d'un mouchoir en papier.

 **Important ! Entre le module à membrane et la gaine il ne doit pas y avoir d'électrolyte ni de milieu de mesure ou des saletés. Vérifier la propreté !**

11. Glisser la gaine avec précaution sur le module à membrane, maintenir la sonde en position verticale et la visser. La gaine doit être propre et sèche.

12. Après chaque remplacement de l'électrolyte ou du module à membrane ou du corps interne, il faut polariser la sonde et la réétalonner.

### Remplacer le corps interne



## 7 Conservation

Pour entreposer les sondes durant plus de 24 heures, nous recommandons d'utiliser le capuchon de protection rempli de solution de nettoyage et de conditionnement (n° de commande 52 200 255), comme pour nos systèmes portables de mesure de O<sub>2</sub>. Cette solution contient un anti-oxydant qui empêche que la sonde soit en contact avec l'oxygène lorsqu'il ne sert pas.

Lorsque la sonde est stockée sans polarisation pendant plus d'une semaine, l'électrolyte doit être retiré.

Pour fabriquer la solution de nettoyage et de conditionnement, procédez comme suit : déposez une tablette dans 40 ml d'eau distillée et patientez 5 minutes jusqu'à ce qu'elle soit dissoute. Remplissez le capuchon de protection de cette solution et placez-le sur l'extrémité de la sonde. La solution de nettoyage et de conditionnement possède des propriétés nettoyantes qui protègent la membrane des microorganismes. Si vous n'avez plus de set de nettoyage et conditionnement, vous pouvez remplir le capuchon de protection de gel d'essai ou d'eau désaérée. Avant de monter la sonde, ôtez le capuchon de protection et rincez la sonde dans un courant d'eau.



**Prudence ! En cas de stockage de la sonde sans alimentation en courant (transmetteur, Sensor-Master) de plus de une semaine, la sonde devrait être conservée à l'état sec, c'est-à-dire sans électrolyte dans le module à membrane. Une sonde conservée à sec (sans électrolyte dans le module à membrane) ne doit pas être raccordée au O<sub>2</sub> Sensor-Master ou au niveau d'un autre module de polarisation.**

## 8 Caractéristiques du produit

### 8.1 Certificats

Chaque sonde est livré avec un jeu de **certificats 3.1** (en conformité avec la norme EN 10204).

Toutes les pièces métalliques en contact avec le milieu (axe de la sonde, gaine et module à membrane) sont identifiées à l'aide d'un symbole correspondant au numéro de coulée. Le symbole gravé sur la sonde correspond au numéro de coulée qui figure sur le certificat papier délivré avec la sonde.

Chaque pièce métallique en contact avec le milieu (axe de la sonde, gaine et module à membrane) est polie de manière à obtenir une rugosité de surface inférieure à 0,4 µm. Cela équivaut à un niveau de rugosité de N5 (selon la norme ISO 1320 : 1992).

## 8.2 Spécifications

<b>InPro 6850i/6900i/6950i</b>	
<b>Principe de mesure</b>	Électrode Clark, polarographique
<b>Conditions d'utilisation</b>	
Domaine de pression admissible (mesure)	6850i: 0,2 ... 6 bar 6900i: 0,2 ... 6 bar (9 bar avec T-6900R) 6950i: 0,2 ... 6 bar
Domaine de pression (résistance mécanique)	Max. 12 bar
Domaine de température (mesure)	0 ... 80 °C
Domaine de température (résistance mécanique)	6850i: - 5 ... 140 °C 6900i: - 5 ... 121 °C (stérilisable et autoclavable) 6950i: - 5 ... 121 °C (stérilisable)
<b>Construction</b>	
Compensation de la température	Automatique
Connexion du câble	AK9
Matériaux des joints toriques	Silicone FDA et USP Class VI approuvé
Matériaux de la membrane	PTFE/Silicone/PTFE (renforcé par un treillis métallique en acier)
Matériaux du corps de la sonde (en contact avec le milieu)	316L acier inoxydable
Rugosité de surface des pièces métalliques en contact avec le milieu	N5 ( $R_a = 0,4 \mu\text{m}$ )
Corps interne « quick disconnect »	Standard
Cathode	Pt
Anode	6850i: Pt 6900i: Ag 6950i: Pt
Cathode annulaire auxiliaire de garde (« Guard ring »)	6850i: - 6900i: Pt 6950i: Pt
Référence	Ag
<b>Dimensions</b>	
Diamètre de la sonde	6850i: 12/25 mm 6900i: 12 mm 6900i: 12 mm
Longueur d'immersion (a) pour sonde de diamètre 12 mm	6850i/6900i: 70, 120, 220, 320, 420 mm 6950i: 70, 120, 220, 320 mm
Longueur d'immersion (a) pour sonde de diamètre 25 mm	6850i: 80, 160, 260, 360 mm 6900i: - 6950i: -
<b>Performance</b>	
Limite de détection	6850i: 6 ppb (saturation) 6900i: 1 ppb (saturation) 6950i: 0.1 ppb (saturation)
Précision	6850i: $\leq \pm (1\% + 6 \text{ ppb})$ 6900i: $\leq \pm (1\% + 1 \text{ ppb})$ 6950i: $\leq \pm (1\% + 0,1 \text{ ppb})$
Temps de réponse à 25 °C	98 % de la valeur finale < 90s
Signal de la sonde dans l'air ambiant (25 °C)	6850i: 50 ... 110 nA 6900i: 250 ... 500 nA 6950i: 2500 ... 5000 nA

Signal résiduel dans un milieu exempt d'oxygène	6850 i: < 0,1 % du signal 6900 i: < 0,3 % du signal 6950 i: < 0,025 % du signal
---	---

---

**Certification**

EHEDG, 3A	Oui
3.1 B (EN 10204.3 /1.B)	Oui
Certificate ATEX	6850 i/6900 i: Oui 6950 i: Oui
FM Approval	6850 i/6900 i: Oui 6950 i: Oui
FDA/USP VI	Oui
Contrôle qualité	Oui

---

**Compatibilité**

avec les transmetteurs METTLER TOLEDO	voir « Chapitre 9.4 »
avec les supports METTLER TOLEDO	voir « Chapitre 9.5 »

## 9 Informations pour la commande

Pour de plus amples informations consultez la fiche technique. Veuillez la demander à votre fournisseur.

### 9.1 Sondes avec fonctionnalité ISM

#### Informations pour la commande

– Connect. droit	6850i	6900i	6950i
70 mm	52 206 118	52 206 316	52 206 127
120 mm	52 206 119	52 206 317	52 206 128
220 mm	52 206 120	52 206 318	52 206 129
320 mm	52 206 121	52 206 319	52 206 130
420 mm	52 206 122	–	–
<b>– Version 25 mm</b>			
80 mm	52 206 123	–	–
160 mm	52 206 124	–	–
260 mm	52 206 125	–	–
360 mm	52 206 126	–	–

### 9.2 Accessoires

Accessoires	N° de commande
O <sub>2</sub> Sensor-Master « Digital ISM » (polarisateur pour sonde à oxygène)	52 206 329
<b>Câbles</b>	
AK9 câble coaxial avec tête K8S 1 m	59 902 167
AK9 câble coaxial avec tête K8S 3 m	59 902 193
AK9 câble coaxial avec tête K8S 5 m	59 902 213
AK9 câble coaxial avec tête K8S 10 m	59 902 230
AK9 câble coaxial avec tête K8S 20 m	52 300 204

### 9.3 Pièces de rechange

Pièces détachées	N° de commande
<b>– InPro 6850 i</b>	
Module à membrane (seul), T-96	52 200 071
Kit modules à membrane T-96 (4 membr., 1 kit de joints toriques, 25 ml d'électrolyte, matériaux en contact avec le milieu en acier SS 316L)	52 200 024
Module à membrane (16 pcs), T-96	52 206 114
Paquet d'électrolyte O <sub>2</sub> (3 × 25 ml)	30 298 424
Élément sensible (interchang.), InPro 6850 i	52 206 347
<b>– InPro 6900 i</b>	
Module à membrane (seul), renforcée, InPro 6900 (T-6900R)	52 201 108
Kit modules à membrane, renforcée, InPro 6900 (T-6900R)	52 201 109
Paquet d'électrolyte InPro 6900 (3 × 5 ml)	30 298 425
Élément sensible (interchang.), InPro 6900	52 200 943
<b>– InPro 6950 i</b>	
Module à membrane (seul)	52 206 105
Kit à membrane (4 membranes, 1 kit de joints toriques, 2 × 5 ml d'électrolyte)	52 206 106
Paquet d'électrolyte InPro 6950 (3 × 5 ml)	30 298 426
Élément sensible (interchang.), InPro 6950	52 206 112



## 9.4 Transmetteurs recommandés

<b>Transmetteurs M700</b>	<b>N° de commande</b>
Unité de base, revêtue, M700C	52 121 171
Unité de base, revêtue, Ex, VPW, M700XC/VPW	52 121 172
Unité de base, revêtue, Ex, 24 V, M700XC/24 V	52 121 173
Unité de base, acier inoxydable, M700S	52 121 174
Unité de base, acier inoxydable, Ex, VPW M700XS/VPW	52 121 175
Unité de base, acier inoxydable, Ex, 24 V M700XS/24 V	52 121 176

<b>Transmitter modules M700</b>	<b>N° de commande</b>
ISM module de O <sub>2</sub> 4700 i	52 121 263
ISM module de O <sub>2</sub> , Ex, 4700 iX	52 121 263
ISM module de O <sub>2</sub> 4700 i ppb	52 121 265
ISM module de O <sub>2</sub> , Ex, 4700 iX ppb	52 121 266
ISM module de O <sub>2</sub> 4700 i traces	52 121 295
ISM module de O <sub>2</sub> , Ex, 4700 iX traces	52 121 294

<b>Transmetteurs M300D</b>	<b>N° de commande</b>
M300 i, ¼ DIN, 1 canal, multi-paramètre	52 121 354
M300 i, ½ DIN, 1 canal, multi-paramètre	52 121 355
M300 i, ¼ DIN, 2 canal, multi-paramètre	52 121 356
M300 i, ½ DIN, 2 canal, multi-paramètre	52 121 357

<b>Transmetteurs M400</b>	<b>N° de commande</b>
M400, type 1	52 121 348
M400, type 2	52 121 349
M400, type 3	52 121 350

Pour plus d'informations sur les types différents, consultez s.v.p. le « Guide paramètre » ci-dessous.

### Guide paramètre pour transmetteurs M400

	<b>M400</b>	<b>M400</b>	<b>M400</b>
<b>Sondes analogues</b>	<b>type 1</b>	<b>type 2</b>	<b>type 3</b>
pH/rédox	•	•	•
Conductivité, sonde à 2 élect.	•	•	•
Conductivité, sonde à 4 élect.	•	•	•
O <sub>2</sub> ppm	–	•	•
O <sub>2</sub> ppb	–	–	•
<b>Sondes ISM</b>			
pH/rédox	•	•	•
Conductivité, sonde à 2 élect.	•	•	•
Conductivité, sonde à 4 élect.	•	•	•
O <sub>2</sub> ppm	–	•	•
O <sub>2</sub> ppm optique	–	–	•
O <sub>2</sub> ppb	–	–	•
O <sub>2</sub> traces	–	–	•

## 9.5 Supports recommandés

### Support (12 mm Ø)

---

#### Support fixe

---

InFit 761 CIP

---

#### Support rétractable

---

InTrac 777 e

---

InTrac 797 e

---

#### Support à immersion

---

InDip® 550

---



**Indication : Les supports étant disponible dans différentes finitions, veuillez prendre contact avec votre organisation de vente METTLER TOLEDO pour vous assurez que les numéros de commande correspondent bien avec la finition désirée.**

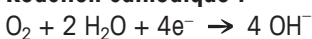
## 10 Théorie de la sonde polarographique

### 10.1 Introduction

Deux types d'électrodes sont employés dans le cadre du travail d'analyse : les électrodes **potentiométriques** et **ampérométriques**.

- Les électrodes potentiométriques développent une tension générée par l'activité d'un ion particulier. Exemples : les électrodes de verre (telles que les électrodes de mesure du pH) et la plupart des électrodes sélectives pour ions. Leurs potentiels individuels ne peuvent pas être déterminés. La quantité mesurable est la différence de potentiel entre l'électrode de mesure et une électrode de référence inerte. Le potentiel de la sonde de référence doit être constant. Toutes les électrodes potentiométriques sont soumises à la loi de Nernst. C'est pour cette raison que, dans la plupart des cas, les électrodes et instruments de mesure ne sont pas interchangeables. La détermination de la tension d'électrode sans courant constitue l'une des exigences en matière de mesures potentiométriques. Pendant la mesure, aucune réaction chimique ne se produit et la solution reste en équilibre.
- Dans le cas **d'électrodes ampérométriques**, telles que **les sondes à oxygène**, la mesure de l'activité est basée sur la mesure du courant. **La sonde à oxygène traditionnelle se compose d'une cathode et d'une anode connectées de manière conductive par un électrolyte.** Une tension de polarisation adaptée entre l'anode et la cathode réduit de manière sélective l'oxygène au niveau de la cathode.

#### **Réaction cathodique :**



Ces réactions chimiques génèrent un courant électrique qui est proportionnel à la pression partielle d'oxygène ( $p\text{O}_2$ ). La sonde à oxygène réduit l'oxygène en permanence. La concentration en oxygène dissous se fait donc moindre. L'oxygène se résorbe par diffusion. Pour cette raison, la viscosité et le taux d'écoulement de la solution constituent deux paramètres importants. Le courant d'électrode d'une sonde à oxygène est non seulement déterminé par la pression partielle d'oxygène mais également par de nombreux autres paramètres relatifs aux électrodes. Les courants d'électrode de différents types de sondes peuvent varier de plusieurs puissances de dix. C'est pour cette raison que les électrodes à oxygène et les amplificateurs ne peuvent pas être interchangeables.

## 10.2 Principe de conception d'une sonde à oxygène

Il existe deux principaux types d'électrodes à oxygène :

- Les électrodes sans membrane
- Les électrodes avec membrane perméable au gaz (Principe de Clark)

Selon Clark, l'électrode à membrane constitue le type d'électrode le plus utilisé actuellement. En comparaison avec les électrodes sans membrane, ce type d'électrode présente les avantages suivants :

- Mesure de l'oxygène dans des gaz et solutions
- Pas de contamination mutuelle de la sonde et de la solution
- Peu ou pas de dépendance relative à l'écoulement

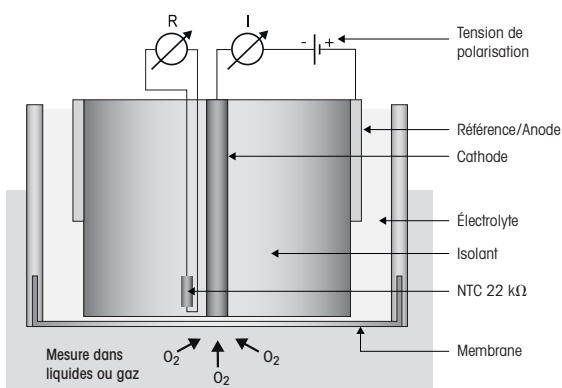
Dans le cas de l'électrode de Clark, la configuration géométrique est très importante. L'épaisseur du film d'électrolyte situé entre la cathode et la membrane doit satisfaire des tolérances très strictes, de manière à garantir une bonne linéarité et un courant de zéro faible (courant dans une atmosphère d'azote).

Les sondes à oxygène METTLER TOLEDO se déclinent en différents modèles :

### Type A, sonde à 2 électrodes, InPro 6800

InPro 6800 pour concentrations en oxygène moyennes et élevées. Cathode et anode/référence. Anode et référence réunies dans une électrode argent/chlorure d'argent.

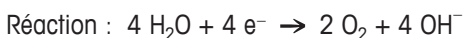
La réaction d'équilibre au niveau de l'anode/référence est la suivante :



### Type B, sonde à 3 électrodes, InPro 6850 i

InPro 6850 i pour concentrations en oxygène moyennes et élevées. La référence est comparable à une anode argent/chlorure d'argent classique. L'anode est une électrode en platine distincte de la référence.

La réaction au niveau de l'anode est la suivante :

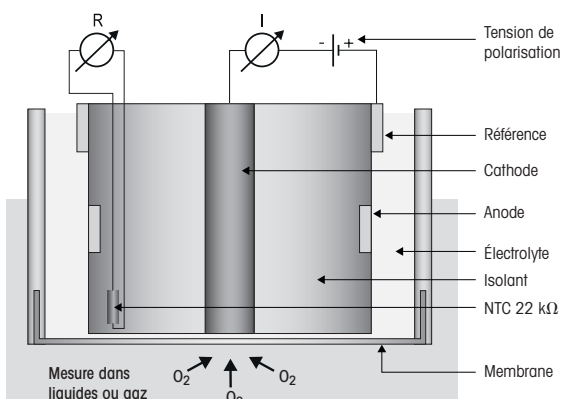


La référence est une anode argent/chlorure électrode. Après polarisation, un équilibre stable est atteint entre la surface de l'électrode et l'électrolyte.

Aucune réaction-bilan ne se passe. Elle est en situation d'équilibre avec l'électrolyte. Il n'y a pas de réaction mesurable.

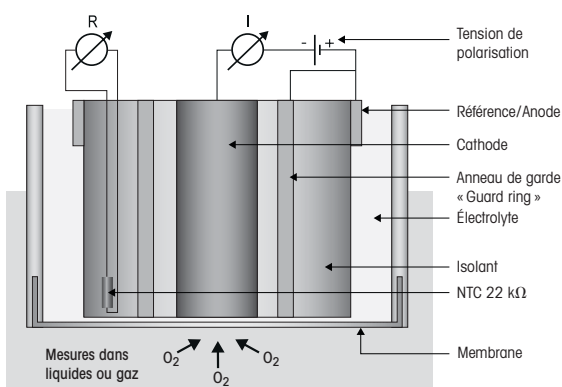
Réaction d'équilibre au niveau de la référence :

Réaction : pas de courant



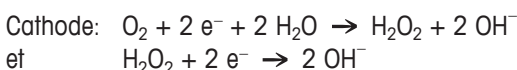
### Type C, sonde à 3 électrodes, InPro 6900 (i)

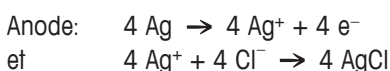
InPro 6900 et InPro 6900 i. Pour mesures de l'oxygène de l'ordre du ppb. Anode et référence réunies dans une électrode argent/chlorure d'argent (comme avec le type A). Sondes munies d'un anneau de garde supplémentaire autour de la cathode. Cet anneau forme, tout comme la cathode avec l'anode, un circuit électrique fermé qui évite que l'oxygène ne se diffuse vers la cathode sur le côté, au risque de fausser les résultats.



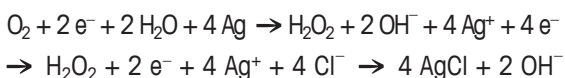
Le fonctionnement de la cathode est toujours le même, quelle que soit la sonde.

La tension constante appliquée entre la cathode et la référence (tension de polarisation) s'élève à 500 ou 675 mV. Au niveau de la cathode, l'O<sub>2</sub> subit une réduction sous forme d'OH<sup>-</sup>.





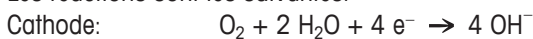
L'équation globale est donc la suivante :



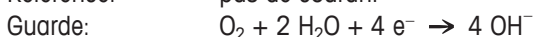
### Type D, sonde à 4 électrodes, InPro 6950 (i)

L'InPro 6950 i est destinée à la mesure de taux d'oxygène dissous constamment bas, jusqu'au niveau de 0,1 ppb. Du point de vue technologique, il s'agit d'une combinaison de l'InPro 6850i et de l'InPro 6900i. La sonde est composée de 4 électrodes. L'anode (platine) et la référence (Ag/AgCl) sont divisées en deux électrodes distinctes. L'anneau de garde est placé autour de la cathode. La cathode possède le diamètre le plus élevé de toutes les sondes oxygène METTLER TOLEDO

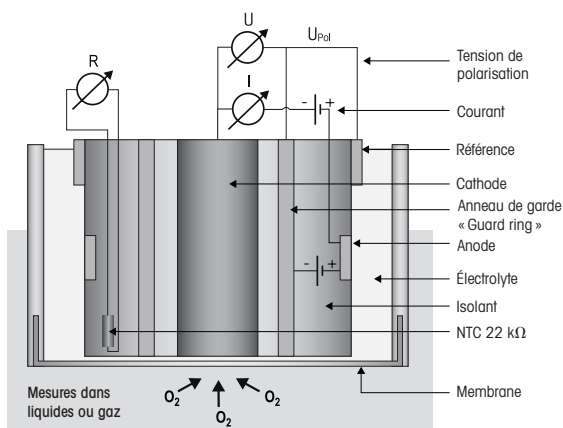
Les réactions sont les suivantes:



Référence: pas de courant



De par la surface plus grand de la cathode, un courant plus élevé est généré. Ceci permet la mesure de l'oxygène jusqu'à 0.1 ppb.



Un courant proportionnel à la pression partielle d'O<sub>2</sub> au niveau de la cathode circule donc entre la cathode et l'anode (à raison de 4 électrons pour chaque molécule d'O<sub>2</sub>).

L'intensité de ce courant est fonction de la superficie de la cathode. Les valeurs types sont les suivantes :

	<b>Courant de l'air</b>	<b>Courant résiduel en % du courant de l'air</b>
6800	50 – 110 nA	< 0,1
6850 (i)	50 – 110 nA	< 0,1
6900 (i)	250 – 500 nA	< 0,03
6950 i	2500 – 5000 nA	< 0.025

Ce courant mesuré est converti en une valeur d'oxygène, puis affiché par le transmetteur. Dans le cas des sondes ISM, ce calcul est effectué à l'intérieur de la sonde. Le résultat est affiché par le transmetteur.

### 10.3 Paramètres déterminant le courant

La quantité d'oxygène diffusée et l'intensité du courant d'électrode sont influencés par les paramètres suivants :

- La pression partielle d'oxygène de la solution
- L'épaisseur et le matériau constituant la membrane
- La taille de la cathode
- La tension de polarisation
- La température
- Les conditions d'écoulement de la solution

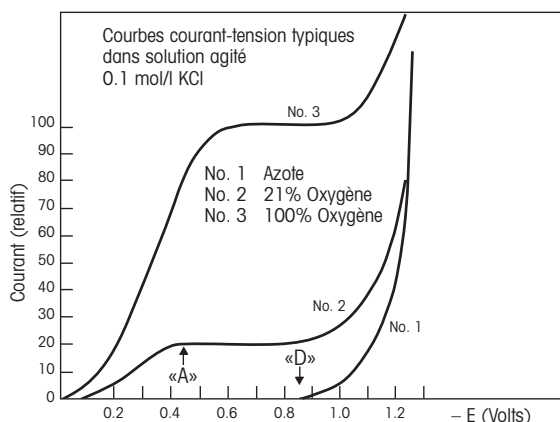
La loi de Fick établit la relation mathématique entre ces paramètres :

$$I = k \times D \times a \times A \times \frac{pO_2}{X}$$

- I = Courant d'électrode
- k = Constante
- D = Coefficient de diffusion d'O<sub>2</sub> dans la membrane
- a = Solubilité de O<sub>2</sub> dans le matériau de la membrane
- A = Surface de la cathode
- pO<sub>2</sub> = Pression partielle d'oxygène de la solution
- X = Épaisseur de la membrane perméable au gaz

### 10.4 La tension de polarisation

La tension entre l'anode et la cathode est sélectionnée de telle sorte que l'oxygène soit totalement (> A, voir polarogramme) réduit tandis que les autres gaz ne sont pas affectés (< D). La tension idéale pour le système Pt/Ag/AgCl ou Pt/Pt/Ag/AgCl se situe entre –500 et –750 mV.



La tension de polarisation doit rester aussi constante que possible. Outre une source de tension constante, les conditions suivantes doivent éga-

lement être remplies : La résistance électrique du film d'électrolyte ne doit pas dépasser une certaine valeur afin d'éviter une chute de tension.

L'anode doit présenter une grande surface de manière à éviter la polarisation de l'anode par le courant d'électrode.

## 10.5 La température

La dépendance à la température d'un courant traversant une électrode à oxygène, avec une pression partielle d'O<sub>2</sub> constante, est principalement déterminée par les propriétés de la membrane perméable au gaz.

## 10.6 Dépendance relative à l'écoulement

Avec la plupart des électrodes à oxygène, le courant d'électrode est plus bas dans les solutions stagnantes que dans les solutions agitées. L'oxygène consommé par l'électrode entraîne une réduction de l'oxygène du milieu de mesure (sous la forme H<sub>2</sub>O) à proximité immédiate de la cathode, hors de la membrane. L'oxygène manquant est remplacé par diffusion. Si le courant d'électrode est fort, la solution n'est pas capable de régénérer totalement l'oxygène réduite par diffusion. De ce fait, le courant d'électrode est plus faible que le courant qui devrait correspondre aux conditions dans la solution. Dans les solutions agitées, l'oxygène est transporté vers la surface de la membrane par diffusion mais également par le flux (convection). Dans ce cas, il ne se produit aucun appauvrissement en oxygène à la surface de la membrane.

Un niveau élevé de dépendance à l'écoulement intervient généralement lors de l'utilisation de grandes cathodes et de membranes fines et très perméables, c'est-à-dire lorsque le courant d'électrode est plus grand.

Le problème de la dépendance à l'écoulement est souvent résolu en prescrivant un taux d'écoulement minimum.

Dans les sondes InPro 6950 de METTLER TOLEDO, la fine membrane en PTFE qui détermine le courant d'électrode (c-à-d. le véritable signal de mesure) est séparée de la solution à analyser par une membrane en silicone relativement épaisse. Cette dernière est hautement perméable aux molécules d'oxygène et agit donc comme un réservoir à oxygène. La diffusion de l'oxygène hors de la solution à analyser dans la membrane en silicone se fait sur une grande surface. Etant donné que ce processus a pour effet de réduire la quantité d'oxygène extraite de la solution à analyser par unité de surface, la double membrane en PTFE/silicone forme un tampon efficace contre les perturbations dues à l'écoulement hydrodynamique.



Cette membrane, associée à la « guard ring » et à l'électrolyte spécial, garantit une excellente stabilité de signal, même en cas de chute du flux hydrodynamique (par exemple, sur une ligne de soutirage de bière).

## 10.7 Pression partielle d'oxygène – concentration en oxygène

Le courant d'électrode dépend de la pression partielle de l'oxygène et de la perméabilité à l'oxygène de la membrane. La conversion de la pression partielle en concentration en oxygène dépend du milieu de mesure (liquides ou gaz).

### Mesure dans des liquides

En cas de mesure dans des liquides, la concentration en oxygène dépend en plus de la solubilité de l'oxygène dans le milieu de mesure. Comme ce point n'est pas détecté par le courant de la sonde, la concentration en oxygène doit être calculée au niveau du transmetteur. De plus, la loi de Henry est appliquée, c'est-à-dire que la concentration en oxygène est proportionnelle à la pression partielle de l'oxygène ( $pO_2$ ).

$$CI = pO_2 \times a$$

$a$  = Facteur de solubilité

Si «  $a$  » est une constante, la concentration en oxygène peut être déterminée au moyen d'une électrode. Ce principe s'applique à une température constante et dans le cas de solutions aqueuses diluées telles que l'eau potable.

Le facteur de solubilité est fortement influencé par la température mais également par la composition de la solution :

Milieu, saturé avec air	Solubilité à 20 °C et 760 mm Hg
Eau	9.2 mg O <sub>2</sub> /l
4 mol/l KCl	2 mg O <sub>2</sub> /l
50 % Méthanol-eau	21.9 mg O <sub>2</sub> /l

Bien que leurs solubilités soient totalement différentes, la sonde à oxygène donne le même résultat dans les 3 solutions.

Ainsi donc, la détermination de la concentration en oxygène n'est possible qu'avec des facteurs de solubilité «  $a$  » connus et constants.

La solubilité peut être déterminée par un titrage Winkler ou suivant la méthode décrite par Käppeli et Fiechter.

### Mesures dans des gaz

La concentration en oxygène lors de mesure dans des gaz est toujours indiquée en part de volume de la constitution des gaz. Les unités courantes sont les suivantes : % (vol.) et ppm (vol.).

La conversion d'une unité à une autre est simple.

Exemple :

En règle générale, les pourcentages volumétriques sont utilisés pour la composition de l'air. Ainsi, l'air comporte par exemple 20,95 % d'oxygène, ce qui correspond à 209'500 ppm (vol.).

(Conversion : valeur ppm = 10'000 × valeur en %)

### Références

- W. M. Krebs, I. A. Haddad *Develop. Ind. Microbio.*, 13, 113 (1972)
- H. Bühler, *W. Ingold GIT* 20, 977 (1976)
- W. M. Krebs, *MBAA Techn. Quart.* 16, 176 (1975)



**Brazil**      **Mettler-Toledo Ind. e Com. Ltda.**  
Avenida Tamboré, 418 – Tamboré,  
BR - 06460-000 Barueri / SP, Brazil  
Phone +55 11 4166 7400  
e-mail mettler@mettler.com.br; service@mettler.com.br

**France**      **Mettler-Toledo Analyse Industrielle S.A.S.**  
30, Bld. de Douaumont, FR - 75017 Paris, France  
Phone +33 1 47 37 06 00  
e-mail mtpro-f@mt.com

**Germany**      **Mettler-Toledo GmbH**  
Prozeßanalytik, Ockerweg 3, DE - 35396 Gießen  
Phone +49 641 507-444  
e-mail prozess@mt.com

**Switzerland**      **Mettler-Toledo (Schweiz) GmbH**  
Im Langacher, CH - 8606 Greifensee  
Phone +41 44 944 47 60  
e-mail ProSupport.ch@mt.com

**United States**      **METTLER TOLEDO**  
Process Analytics  
900 Middlesex Turnpike, Bld. 8, Billerica, MA 01821, USA  
Phone +1 781 301 8800  
Freephone +1 800 352 8763  
e-mail mtpro-us@mt.com

For more addresses of METTLER TOLEDO Market Organizations please go to:  
**[www.mt.com/pro-MOs](http://www.mt.com/pro-MOs)**