

INVERTEC® 170TX 170TPX & 220TPX

Spare Parts	1
Figure A: 170TX/TPX Machine Assembly.....	2
Figure B: 220TPX Machine Assembly	4
Electrical Schematic.....	5
Code 52111, 52112, 52122	5
Code 50511, 50512	6



Spare Parts

SP52111/52112/52122 Rev05A
02/16

ASSEMBLY PAGE NAME			Machine Assembly					
CODE NO.:	K NO.:	FIGURE NO.:	A					
52111	K12054-1	170TX CE	1					
52112	K12055-1	170TPX CE	2					
52122	K12055-2	170TPX AUS	3					

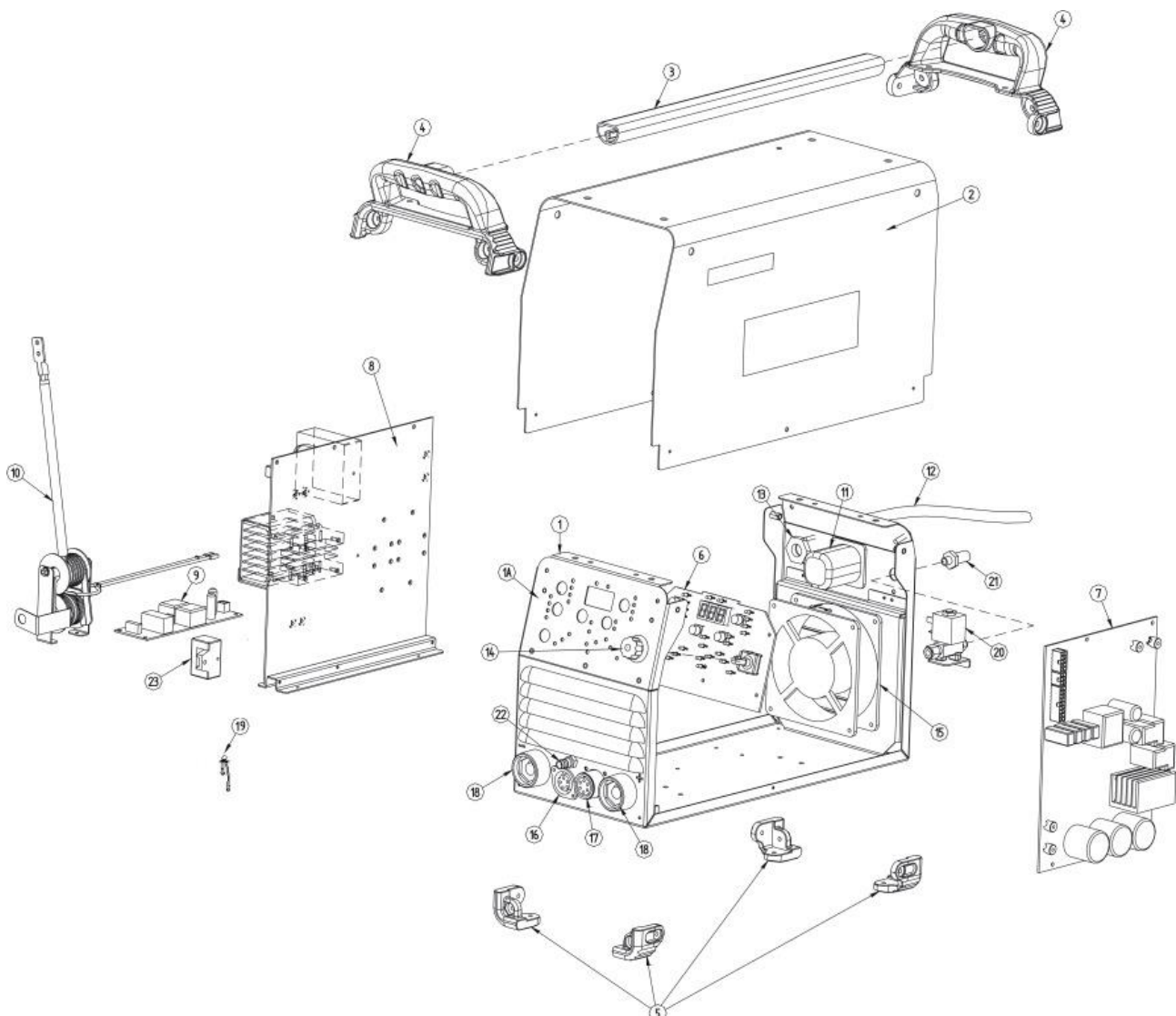


Figure A

Figure A: 170TX/TPX Machine Assembly

Item	Description	Part Number	QTY	1	2	3	4	5	6	7
1 1A	MAIN FRAME	W93X1379R	1	X	X	X				
	+ FRONT NAMEPLATE	+ W07X1392R	1	-	X	X				
	+ FRONT NAMEPLATE	+ W07X1482R	1	X	-	-				
2	WRAPAROUND	R-1019-392-1R	1	X	X	X				
3	HANDLE	W92X0228-8R	1	X	X	X				
4	FRONT/REAR HANDLE	W95X1387R	2	X	X	X				
5	KIT 4 ANTI-SLIP FOOT	W95X1149R	1	X	X	X				
6	CONTROL P.C. BOARD for TPX	W05X1419R	1	-	X	X				
	CONTROL P.C. BOARD for TX	W05X1419-2R	1	X	-	-				
7	INPUT P.C. BOARD	W05X1545R	1	X	X	X				
8	INVERTER P.C. BOARD	W05X1348-2R	1	X	X	X				
9	HF P.C. BOARD	W05X1615R	1	X	X	X				
10	HF TRANSFORMER	W59X1544R	1	X	X	X				
11	MAIN SWITCH	W7511710R	1	X	X	X				
12	INPUT CORD CE	R-5041-305-1R	1	X	X	-				
	INPUT CORD AUS	R-5041-305-5R	1	-	-	X				
13	CABLE CLAMP WITH NUT	W8400006R	1	X	X	X				
14	KNOB WITH FELT	W8707653R	1	X	X	X				
15	FAN	W66X1369R	1	X	X	X				
16	TRIGGER TORCH CONNECTOR	R-5141-002-2R	1	X	X	X				
17	REMOTE CONTROL CONNECTOR	R-5041-312-2R	1	X	X	X				
18	DINSE CONNECTOR	C-2986-001-2R	2	X	X	X				
19	ASSEMBLE CAP. 4n7 250Vac	R-5141-025-1R	1	X	X	X				
20	SOLENOID VALVE	W8500011R	1	X	X	X				
21	FITTING 1/4-1/8 + NUT 1/4	W8896074R	1	X	X	X				
22	FITTING QUICK CONNECTION PU 1/8	W8800082R	1	X	X	X				
23	HALL SENSOR	W4900003R	1	X	X	X				

ASSEMBLY PAGE NAME			Machine Assembly					
CODE NO.:	K NO.:	FIGURE NO.:	B					
50511	K12057-1	220TPX CE	1					
50512	K12057-2	220TPX AUS	2					

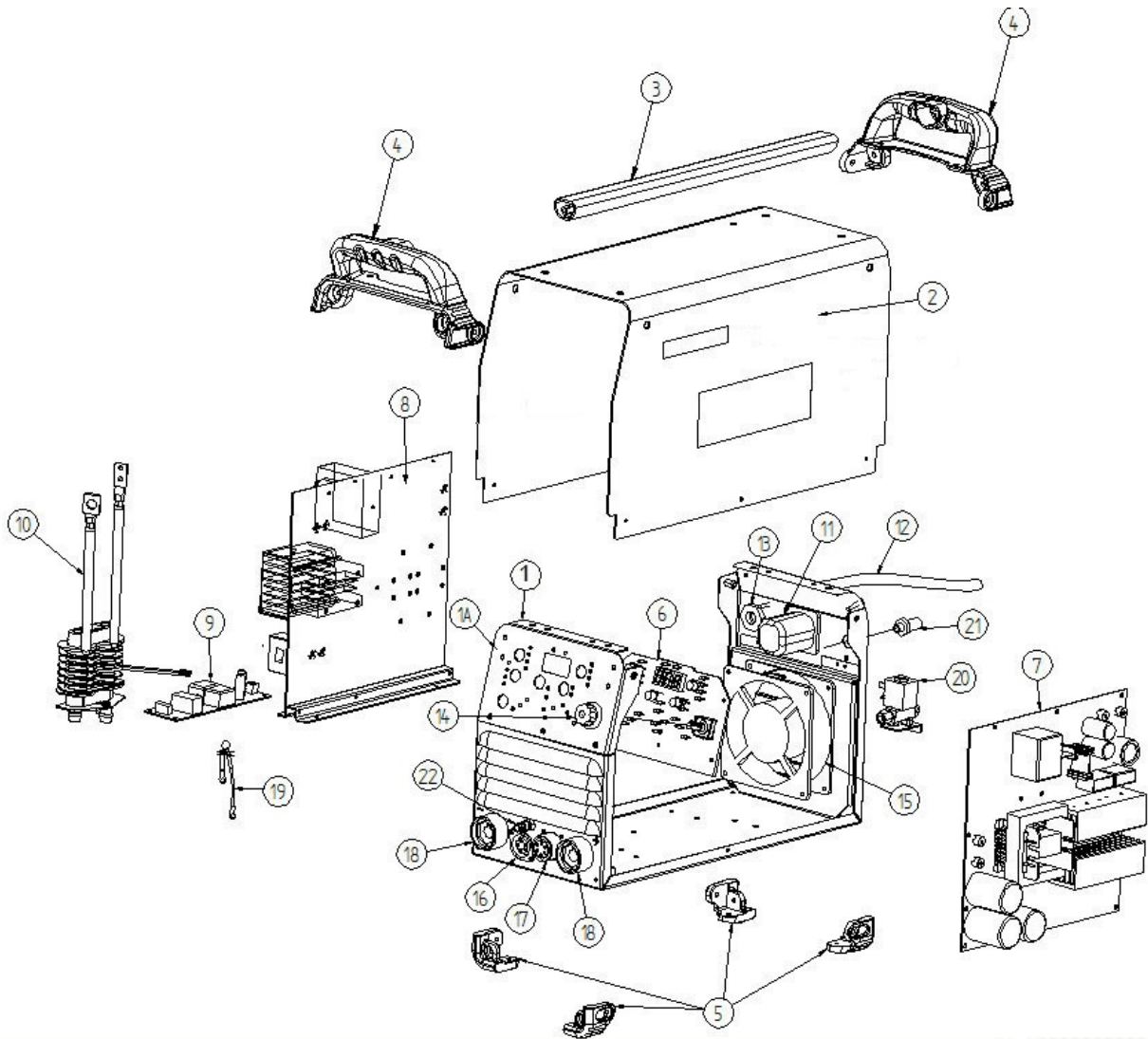


Figure B

Figure B: 220TPX Machine Assembly

Item	Description	Part Number	QTY	1	2	3	4	5	6	7
1	MAIN FRAME	W93X1379R	1	X	X					
1A	+ FRONT NAMEPLATE	+ W07X1393R	1	X	X					
2	WRAPAROUND	R-1019-392-1R	1	X	X					
3	HANDLE	W92X0228-8R	1	X	X					
4	FRONT/REAR HANDLE	W95X1387R	2	X	X					
5	KIT 4 ANTI-SLIP FOOT	W95X1149R	1	X	X					
6	CONTROL P.C. BOARD	W05X01690R	1	X	X					
7	INPUT P.C. BOARD	W05X1656R	1	X	X					
8	INVERTER P.C. BOARD	W05X1737R	1	X	X					
9	HF P.C. BOARD	W05X1615R	1	X	X					
10	HF TRANSFORMER	W59X1499R	1	X	X					
11	MAIN SWITCH	W7511710R	1	X	X					
12	INPUT CORD CE	R-5041-305-1R	1	X	-					
	INPUT CORD AUS	R-5041-305-5R	1	-	X					
13	CABLE CLAMP WITH NUT	W8400006R	1	X	X					
14	KNOB WITH FELT	W8707653R	1	X	X					
15	FAN	W66X1369R	1	X	X					
16	TRIGGER TORCH CONNECTOR	R-5141-068-1R	1	X	X					
17	REMOTE CONTROL CONNECTOR	R-5041-312-2R	1	X	X					
18	DINSE CONNECTOR	C-2986-001-2R	2	X	X					
19	ASSEMBLE CAP. 4n7 250Vac	R-5141-025-1R	1	X	X					
20	SOLENOID VALVE	W8500011R	1	X	X					
21	FITTING 1/4-1/8 + NUT 1/4	W8896074R	1	X	X					
22	FITTING QUICK CONNECTION PU 1/8	W8800082R	1	X	X					

Electrical Schematic

Code 52111, 52112, 52122

