

# NAUTIZ X8

## QUICK START GUIDE



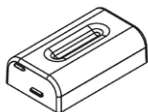
**handheld**

# ① WHAT'S IN THE BOX

The pictures shown below may differ from the actual products. To purchase additional or optional products, contact our customer center.



Nautiz X8 Main Body



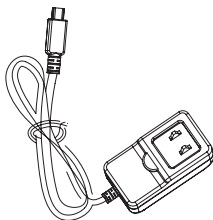
Standard Battery



Stylus Pen



USB Cable

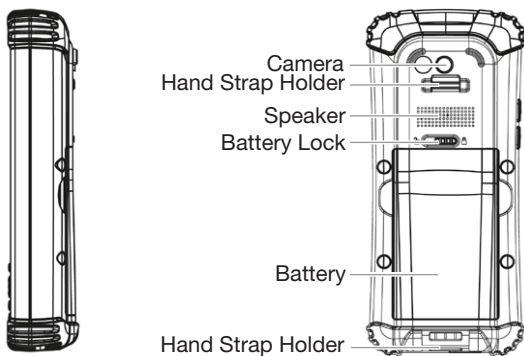
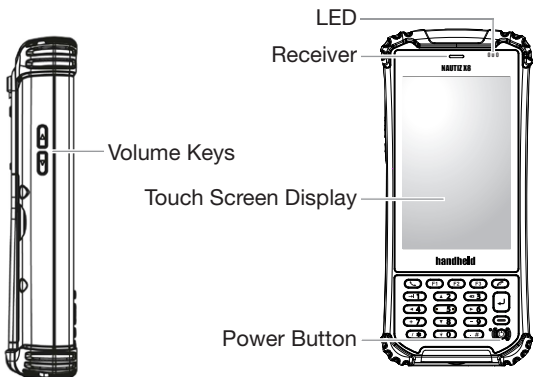


Adaptor



Hand Strap

## ② YOUR NAUTIZ X8

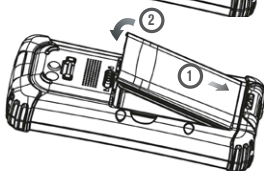
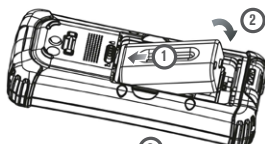
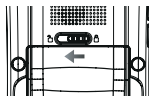


## ③ INSERT/REMOVE BATTERY

### To insert the battery

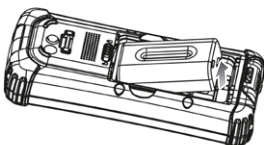
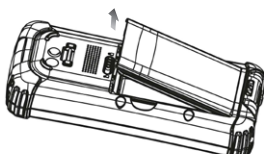
1. Remove the battery cover by sliding the door's lock left and lift up the cover.
2. Insert the battery.
3. Close the battery cover.

Battery door unlock



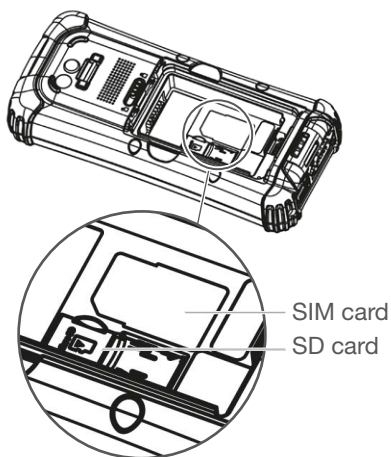
### To remove the battery

1. Power off the PDA.
2. Open the battery cover by sliding the door's lock left and lift up the cover.
3. Remove the battery.



## ④ INSERTING/EXTRACTING SIM/MICRO SD CARD

This is how you insert and remove the SIM/micro SD.



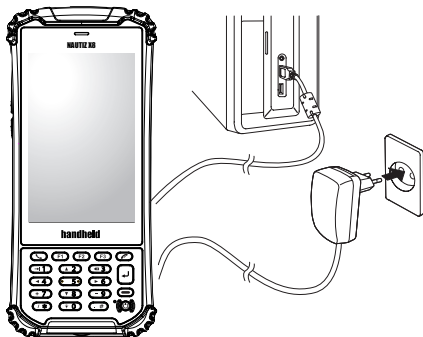
## ⑤ POWERING ON/OFF

Press the [Power] button at the bottom of the keypad to turn the Nautiz X8 unit on/off.

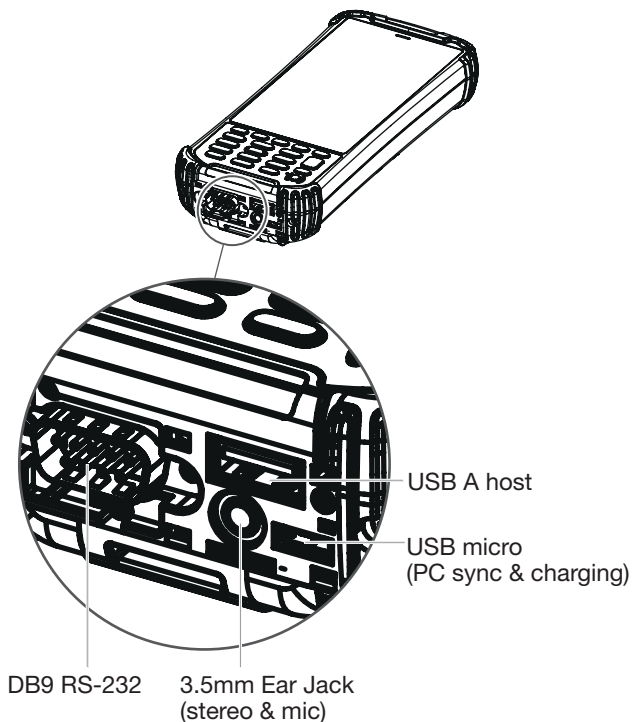


## ⑥ BATTERY CHARGING

Use supplied power adapter and USB cable to charge the Nautiz X8. Charge the unit for five hours before using the phone for the first time.



## ⑦ BOTTOM PANEL LAYOUT



Please go to [www.handheldgroup.com/knowledgebase](http://www.handheldgroup.com/knowledgebase) to download more information.

*Nautiz X8 is in compliance with the essential requirements and other relevant provisions of Directive 1999/5/EC. The declaration of conformity may be consulted at [www.handheldgroup.com/nautiz-x8/#tab=manuals](http://www.handheldgroup.com/nautiz-x8/#tab=manuals)*

**handheld**

[www.handheldgroup.com](http://www.handheldgroup.com)

Version 1.1