



RCM420

Residual current monitor

for AC current monitoring in TN and TT systems

Software version: D240 V1.2x





Bender GmbH & Co. KG

PO Box 1161 • 35301 Gruenberg • Germany

Londorfer Strasse 65 • 35305 Gruenberg • Germany

Tel.: +49 6401 807-0 • Fax: +49 6401 807-259

E-Mail: info@bender.de • www.bender.de

© Bender GmbH & Co. KG

All rights reserved.

Reprinting only with permission of the publisher.

Subject to change!

Photos: Bender archives

Table of Contents

1. Important information	7
1.1 How to use this manual	7
1.2 Technical support: service and support	8
1.2.1 First level support	8
1.2.2 Repair service	8
1.2.3 Field service	9
1.3 Training courses	9
1.4 Delivery conditions	9
1.5 Inspection, transport and storage	10
1.6 Warranty and liability	10
1.7 Disposal	11
2. Safety instructions	12
2.1 General safety instructions	12
2.2 Work activities on electrical installations	12
2.3 Intended use	13
3. Function	14
3.1 Device features	14
3.2 Function	14
3.2.1 Connection monitoring	15
3.2.2 Fast response value query	15
3.2.3 Automatic self test	15
3.2.4 Manual self test	15
3.2.5 Functional faults	16
3.2.6 Set the number of reload cycles	16
3.2.7 Assigning alarm categories to alarm relays K1/K2	16
3.2.8 Time delays t , t_{on} and t_{off}	16
3.2.9 Residual current monitoring in window discriminator mode	17

3.2.10 Password protection (on, OFF)	17
3.2.11 Factory setting FAC	17
3.2.12 Erasable history memory	17
3.2.13 External, combined test/reset button T/R	17
3.2.14 Fault memory	17
3.2.15 Additional cascaded measuring current transformer	18
4. Installation and connection	19
5. Operation and setting	22
5.1 Display elements in use	22
5.2 Function of the operating elements	23
5.3 Menu structure	24
5.4 Display in standard mode	25
5.5 Display in menu mode	26
5.6 Parameter settings	28
5.6.1 Response value setting for overcurrent	28
5.6.2 Setting the fault memory and alarm relay operating mode	30
5.6.3 Assigning alarm categories to the alarm relays	31
5.6.4 Set the time delays	33
5.6.5 Changeover: overcurrent/undercurrent/window mode	34
5.6.6 Setting the correction factor for an additional cascaded current transformer	34
5.6.7 Factory setting and password protection	35
5.6.8 Device information query (Example)	36
5.6.9 History memory query	37
5.7 Commissioning	37
6. Data	38
6.1 Factory setting	38
6.2 Error codes	39
6.3 Technical data	40
6.4 Standards, approvals and certifications	44

6.5	Ordering information	44
6.6	Document revision history	46
INDEX	47

1. Important information

1.1 How to use this manual



*This manual is intended for **qualified personnel** working in electrical engineering and electronics!*

Always keep this manual within easy reach for future reference.

To make it easier for you to understand and revisit certain sections in this manual, we have used symbols to identify important instructions and information. The meaning of these symbols is explained below:



DANGER

*This signal word indicates that there is a **high risk of danger** that will result in **electrocution** or **serious injury** if not avoided.*



WARNING

*This signal word indicates a **medium risk of danger** that can lead to **death** or **serious injury** if not avoided.*



CAUTION

*This signal word indicates a **low level risk** that can result in **minor** or **moderate injury or damage to property** if not avoided.*



*This symbol denotes information intended to assist the user in making **optimum use** of the product.*

This manual has been compiled with great care. It might nevertheless contain errors and mistakes. Bender cannot accept any liability for injury to persons or damage to property resulting from errors or mistakes in this manual.

1.2 Technical support: service and support

For commissioning and troubleshooting Bender offers you:

1.2.1 First level support

Technical support by phone or e-mail for all Bender products

- Questions concerning specific customer applications
- Commissioning
- Troubleshooting

Telephone: +49 6401 807-760*
Fax: +49 6401 807-259
In Germany only: 0700BenderHelp (Tel. and Fax)
E-mail: support@bender-service.de

1.2.2 Repair service

Repair, calibration, update and replacement service for Bender products

- Repairing, calibrating, testing and analysing Bender products
- Hardware and software update for Bender devices
- Delivery of replacement devices in the event of faulty or incorrectly delivered Bender devices
- Extended guarantee for Bender devices, which includes an in-house repair service or replacement devices at no extra cost

Telephone: +49 6401 807-780** (technical issues)
+49 6401 807-784**, -785** (sales)
Fax: +49 6401 807-789
E-mail: repair@bender-service.de

Please send the devices for repair to the following address:

Bender GmbH, Repair-Service,
Londorfer Str. 65,
35305 Grünberg

1.2.3 Field service

On-site service for all Bender products

- Commissioning, configuring, maintenance, troubleshooting of Bender products
- Analysis of the electrical installation in the building (power quality test, EMC test, thermography)
- Training courses for customers

Telephone:	+49 6401 807-752**, -762 **(technical issues) +49 6401 807-753** (sales)
Fax:	+49 6401 807-759
E-mail:	fieldservice@bender-service.de
Internet:	www.bender.de

*Available from 7.00 a.m. to 8.00 p.m. 365 days a year (CET/UTC+1)

**Mo-Thu 7.00 a.m. - 8.00 p.m., Fr 7.00 a.m. - 13.00 p.m

1.3 Training courses

Bender is happy to provide training regarding the use of test equipment. The dates of training courses and workshops can be found on the Internet at www.bender.de > Know-how > Seminars.

1.4 Delivery conditions

Bender sale and delivery conditions apply. For software products the "Softwareklausel zur Überlassung von Standard-Software als Teil von Lieferungen, Ergänzung und Änderung der Allgemeinen Lieferbedingungen für Erzeugnisse und Leistungen der Elektroindustrie" (software clause in respect of the licensing of standard software as part of deliveries, modifications and changes to general delivery conditions for products and services in the electrical industry) set out by the ZVEI (Zentralverband Elektrotechnik- und Elektronikindustrie e. V.) (German Electrical and Electronic Manufacturer's Association) also applies. Sale and delivery conditions can be obtained from Bender in printed or electronic format.

1.5 Inspection, transport and storage

Inspect the dispatch and equipment packaging for damage, and compare the contents of the package with the delivery documents. In the event of damage in transit, please contact Bender immediately.

The devices must only be stored in areas where they are protected from dust, damp, and spray and dripping water, and in which the specified storage temperatures can be ensured.

1.6 Warranty and liability

Warranty and liability claims in the event of injury to persons or damage to property are excluded if they can be attributed to one or more of the following causes:

- Improper use of the device.
- Incorrect mounting, commissioning, operation and maintenance of the device.
- Failure to observe the instructions in this operating manual regarding transport, commissioning, operation and maintenance of the device.
- Unauthorised changes to the device made by parties other than the manufacturer.
- Non-observance of technical data.
- Repairs carried out incorrectly and the use of replacement parts or accessories not approved by the manufacturer.
- Catastrophes caused by external influences and force majeure.
- Mounting and installation with device combinations not recommended by the manufacturer.

This operating manual, especially the safety instructions, must be observed by all personnel working on the device. Furthermore, the rules and regulations that apply for accident prevention at the place of use must be observed.

1.7 Disposal

Abide by the national regulations and laws governing the disposal of this device. Ask your supplier if you are not sure how to dispose of the old equipment.

The directive on waste electrical and electronic equipment (WEEE directive) and the directive on the restriction of certain hazardous substances in electrical and electronic equipment (RoHS directive) apply in the European Community. In Germany, these policies are implemented through the "Electrical and Electronic Equipment Act" (ElektroG). According to this, the following applies:

- Electrical and electronic equipment are not part of household waste.
- Batteries and accumulators are not part of household waste and must be disposed of in accordance with the regulations.
- Old electrical and electronic equipment from users other than private households which was introduced to the market after 13th August 2005 must be taken back by the manufacturer and disposed of properly.

For more information on the disposal of Bender devices, refer to our homepage at www.bender.de > Service & support.

2. Safety instructions

2.1 General safety instructions

Part of the device documentation in addition to this manual is the enclosed "Safety instructions for Bender products".

2.2 Work activities on electrical installations



Only **qualified personnel** are permitted to carry out the work necessary to install, commission and run a device or system.



DANGER

Risk of electrocution due to electric shock!

Touching live parts of the system carries the risk of:

- An electric shock
- Damage to the electrical installation
- Destruction of the device

Before installing and connecting the device, make sure that the installation has been de-energised. Observe the rules for working on electrical installations.

If the device is used outside the Federal Republic of Germany, the applicable local standards and regulations must be complied with. The European standard EN 50110 can be used as a guide.

2.3 Intended use

The AC and pulsed DC sensitive residual current monitor RCM420 (Type A) from Bender is designed for fault and residual current monitoring in earthed power supply systems (TN/TT systems) where an alarm is to be activated in the event of a fault, but disconnection must be prevented. In addition, the device can be used to monitor single conductors, such as PE conductors, N-PE connections and PE-PAS connections.

Two separately adjustable response ranges $I_{\Delta n1}$ and $I_{\Delta n2}$ allow to distinguish between prewarning and main alarm ($I_{\Delta n1} = 50 \dots 100$ % of the set response value $I_{\Delta n2}$).

In order to meet the requirements of the applicable standards, customised parameter settings must be made on the equipment in order to adapt it to local equipment and operating conditions. Please heed the limits of the range of application indicated in the technical data.

Any use other than that described in this manual is regarded as improper.

3. Function

3.1 Device features

- AC and pulsed DC sensitive residual current monitor Type A according to DIN EN 62020
- Adjustable switching hysteresis
- r.m.s. value measurement
- Starting delay, response delay and delay on release
- Measured value display via multi-functional LC display
- Alarm indication via LEDs (AL1, AL2) and changeover contacts (K1, K2)
- N/C operation or N/O operation selectable
- Password protection against unauthorized parameter changing
- Fault memory function can be switched off
- CT connection monitoring

3.2 Function

Once the supply voltage U_s is applied, the starting delay is activated. Measured values changing during this time do not influence the switching state of the alarm relays. Residual current measurement takes place via an external measuring current transformer of the CTAC..., WR... or WS... series. The currently measured value is shown on the LC display. In this way any changes, for example when circuits are connected to the system, can be recognized easily. If the measured value exceeds one or both response values, the response delays $t_{on1/2}$ start running. Once the response delay $t_{on1/2}$ has elapsed, the K1/K2 alarm relays switch and the alarm LEDs AL1/AL2 light up. If the residual current falls below the release value (response value minus hysteresis), the delay on release t_{off} begins. Once the release delay t_{off} has elapsed, the alarm relays return to their original state and the alarm LEDs AL1/AL2 go out. If the fault memory is activated, the alarm relays remain in the alarm state and the LEDs light until the reset button is pressed or until the supply voltage is interrupted.

The device function can be tested using the TEST button. The parameterization of the device can be carried out via the LC display and the function keys integrated in the front plate and can be password-protected.

3.2.1 Connection monitoring

The CT connections are continuously monitored. In the event of a fault, the alarm relays K1 / K2 switch without delay, the alarm LEDs AL1 / AL2 / ON flash (Error Code E.01). After eliminating the fault, the alarm relays automatically return to their initial position, provided that the fault memory M is deactivated. With the fault memory activated, K1/K2 return to their initial position by pressing the reset button R. A second cascaded measuring current transformer will not be monitored.

3.2.2 Fast response value query

With the display in standard mode, the currently measured response values $I_{\Delta n1}$ and $I_{\Delta n2}$ can be queried pressing the Up and Down keys (< 1.5 s). Switchover to the Menu mode is not required. If you want to exit the fast response value query, press the enter key.

3.2.3 Automatic self test

The device automatically carries out a self test after connecting to the system to be monitored and later every 24 hours. During the self test internal functional faults will be detected and appear in form of an error code on the display. The alarm relays are not checked during this test.

3.2.4 Manual self test

After pressing the test button for > 1.5 s, the device carries out a self test. During this test, internal functional faults are detected and will be displayed in form of an error code. The alarm relays are not checked during this test. While the test button T is pressed and held down, all device-related display elements appear on the display.

3.2.5 Functional faults

If an internal functional fault occurs, all three LEDs flash. An error code will appear on the display (E01...E32). In such a case please contact the Bender Service.

3.2.6 Set the number of reload cycles

If faults occur only temporarily, but recurrently, in the system being monitored, with the fault memory M deactivated, the alarm relays would switch synchronously to the error status.

RL in the out menu can be used to limit the number of these changeover processes. As soon as the preset number of switching cycles is exceeded, the fault memory will come on and an activated alarm remains stored.

3.2.7 Assigning alarm categories to alarm relays K1/K2

The alarm categories device error, residual current $I_{\Delta n1}$, residual current $I_{\Delta n2}$ or alarm by device test can be assigned to the alarm relays via the "out" menu.

3.2.8 Time delays t , t_{on} and t_{off}

The times t , t_{on} and t_{off} , described below, delay the output of alarms via LEDs and relays.

Starting delay t

After connection to the supply voltage, the alarm indication is delayed by the preset time t (0...10 s).

Response delay $t_{on1/2}$

If the residual current increases above or falls below the response value the response time t_{an} expires. After the expiry of the response time an alarm is signalled. A set response delay $t_{on1/2}$ (0...10 s) adds up to the device-related operating time t_{ae} and delays alarm signalling (total delay time $t_{an} = t_{ae} + t_{on}$). If the residual current fault changes from a value above the response value to a value below the response value, an alarm will not be signalled.

Delay on release t_{off}

When no alarm exists after deactivating the fault memory, the alarm LEDs go out and the alarm relays switch back to their initial position. After activating the delay on release (0...99 s), the alarm state is continuously maintained for the selected period.

3.2.9 Residual current monitoring in window discriminator mode

Change the measuring principle by selecting the window mode (SEt / In). In the window discriminator mode, the threshold values I1 and I2 represent the upper and the lower value. If the measured value is not within this area, an alarm is initiated by the device.

3.2.10 Password protection (on, OFF)

When the password protection is activated (on), settings are only possible after entering the correct password (0...999).

3.2.11 Factory setting FAC

After activating the factory setting, all settings previously changed are reset to delivery status.

3.2.12 Erasable history memory

The first alarm value that occurs will be saved in this memory. The memory can be cleared via the menu HiS.

3.2.13 External, combined test/reset button T/R

Reset	= Pressing the external button < 1.5 s
Test	= Pressing the external button > 1.5 s

3.2.14 Fault memory

The fault memory can be activated, deactivated or set to continuous mode (con). If the fault memory is set to "con" mode, the alarm parameters remain stored even on failure of the supply voltage. Stored alarms can be reset by means of the reset button R.

3.2.15 Additional cascaded measuring current transformer

For applications where residual currents higher than 10 A occur, a second external transformer can be cascaded. The transformer's transmission ratio can be adapted using the correction factor n_{RCM} in the SEt menu.

4. Installation and connection



Only **qualified personnel** are permitted to carry out the work necessary to install, commission and run a device or system.



DANGER

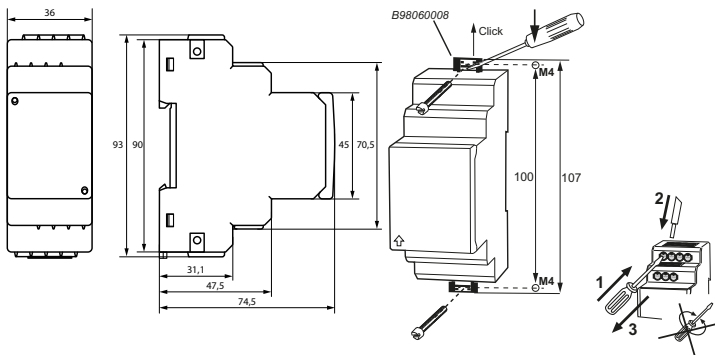
Risk of electrocution due to electric shock!

Touching live parts of the system carries the risk of:

- An electric shock
- Damage to the electrical installation
- Destruction of the device

Before installing and connecting the device, make sure that the installation has been de-energised. Observe the rules for working on electrical installations.

Dimension diagram, drawing for screw mounting, push-wire terminal connection



The front plate cover is easy to open at the lower part marked by an arrow.

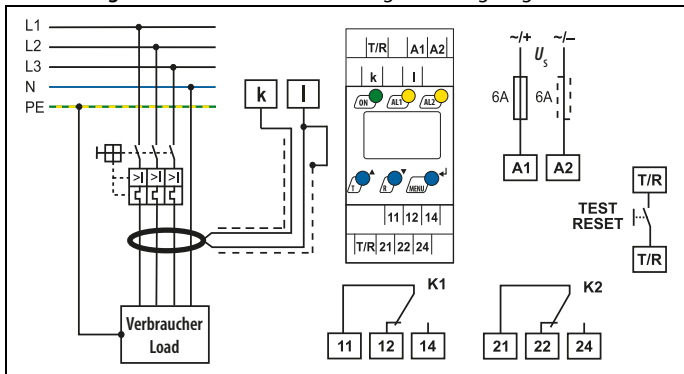
1. DIN rail mounting

Snap the rear mounting clip of the device into place in such a way that a safe and tight fit is ensured.

Screw fixing

Use a tool to move the rear mounting clips (a second mounting clip required, see ordering information) to a position that it projects beyond the enclosure. Then fix the device using two M4 screws.

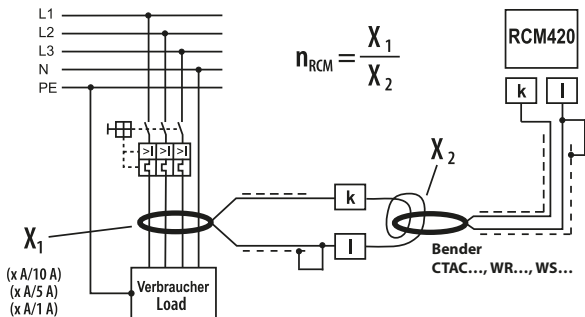
2. Wiring: Connect the device according the wiring diagram.



Terminal	Connections
A1, A2	Connection to supply voltage
k, I	Connection of measuring current transformers
T/R	Connection to the combined test/reset button
11, 12, 14	Alarm relay K1
21, 22, 24	Alarm relay K2

Connection of an additional cascaded measuring current transformer

If the residual current range of 10 A is not sufficient, an additional measuring current transformer can be cascaded. Connect the measuring current transformer as illustrated in the drawing below.



Example:

An additionally **cascaded transformer on the load side** has a transmission ratio of $X_1 = 100$ (500 A / 5 A). That means, when the lowest value of 10 mA is set at the RCM420, a current of 1 A can only just be detected on the primary side of the transformer on the load side. In order to reduce the value that can be detected to 100 mA, 10 turns of the supply cable has to be routed through the transformer on the RCM side.

Hence, the **correction factor** to be set is

$$n_{RCM} = X_1 : X_2 = 100 : 10 = 10.$$

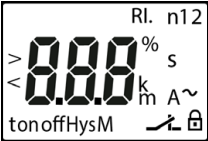


The correction factor can be set via the SEt/n menu.

The correction factor is **factory set** to 1 and relates to normal operation with one Bender measuring current transformer only ($X = 600:1$).

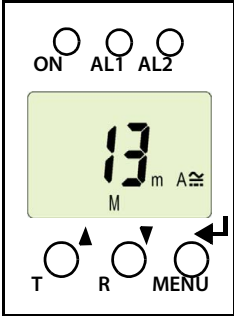
5. Operation and setting

5.1 Display elements in use

A detailed description of the meaning of the display elements in use is given in the table below.





Display elements in use	Element	Function
 <p>The screenshot shows a digital display with '0.00' in the center. Above it is 'RI. n12' and '% s'. To the left are '>' and '<' symbols. Below the display are 'k m A ~', 'ton off Hys M', and two icons: a relay symbol and a padlock symbol.</p>	RL	Reload function with memory = off (L = I.)
	n	Transformation ratio factor for a second external measuring current transformer
	I2	Response value $I_{\Delta n2}$ as mA (Main alarm)
	I1	Response value $I_{\Delta n1}$ as % of $I_{\Delta n2}$ (Prewarning)
	r1, 1 r2, 2	Alarm relay K1 Alarm relay K2
	I Hys, %	Response value hysteresis as %
	ton1, ton2, t, toff	Response delay t_{on1} (K1) Response delay t_{on2} (K2) Starting delay t , Delay on release t_{off} for K2
	M	Fault memory active
		Relay operating mode K2
		Password protection enabled


5.2 Function of the operating elements

Device front	Element	Function
	ON, green	LED lighting continuously: Power On Flashing LED: System fault or connection monitoring fault
	AL1, AL2	LED Alarm 1 lights (yellow): Response value 1 reached ($I_{\Delta n1}$) LED Alarm 2 lights (yellow): Response value 2 reached ($I_{\Delta n2}$)
	13 mA M	13 mA flow through the measuring current transformer, Fault memory active
	T, ▲	Test button (> 1.5 s): To indicate the available display elements, to start a self test; Up key (< 1.5 s): Menu items/values
	R, ▼	Reset button (> 1.5 s): Deleting the fault memory; Down key (< 1.5 s): Menu items/values
	MENU, ◀	MENU key (> 1.5 s): Starting the menu mode; Enter key (< 1.5 s): Confirm menu item, submenu item and value. Enter key (> 1.5 s): Back to the next higher menu level.

5.3 Menu structure

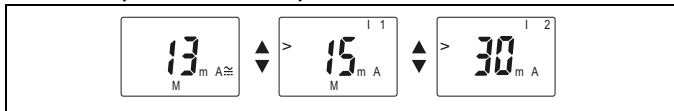
All adjustable parameters are listed in the columns "menu item" and "adjustable parameters". A display-like representation is used to illustrate the parameters in the column menu item. Different alarm categories can be assigned to the alarm relays K1, K2 via the submenus r1, r2. This is done by activation or deactivation of the respective function.

Menu	Sub Menu	Menu item	Activation	Adjustable parameter
AL (response-values)		> I2	- (HI)	$I_{\Delta n2}$ (Main alarm)
		> I1	- (HI)	$I_{\Delta n1}$ as % of $I_{\Delta n2}$ (Prewarning)
		Hys	-	Hysteresis $I_{\Delta n1} / I_{\Delta n2}$
out (output control)		M	ON	Fault memory
		 1	-	Operating mode K1 (n.c.)
		 2	-	Operating mode K2 (n.c.)
		RL	-	Reload function (memory = off)
	r1 (K1: (assignment alarm category))	1 Err	ON	Device error at K1
		r1 I1	ON	Prewarning $I_{\Delta n1}$ at K1
		r1 I2	off	Main alarm $I_{\Delta n2}$ at K1
		1 tES	ON	Device test
	r2 (K2: (assignment alarm category))	2 Err	ON	Device error at K2
		r2 I1	off	Prewarning $I_{\Delta n1}$ at K2
		r2 I2	ON	Main alarm $I_{\Delta n2}$ at K2
		2 tES	ON	Device test

Menu	Sub Menu	Menu item	Activation	Adjustable parameter
t (timing check)	→	t on 1	-	Response delay K1
		t on 2	-	Response delay K2
		t	-	Starting delay
		t off	-	Delay on release K1/K2
Set (device control)	→	I 12	HI	Selectable parameters: High, window function, low
		n	1	Transformation ratio factor for a second external measuring current transformer
			off	Parameter setting via password
		FAC	-	Restore factory settings
		SYS	-	Function blocked
InF	→		-	Display hard / software version
HiS	→	Clr	-	History memory for the first alarm value, erasable

5.4 Display in standard mode

By default, the currently measured residual current is displayed. The current response values I1 (prewarning) and I2 (alarm) can be displayed using the Up and Down key. Press the Enter key to return to the measured value.



In the standard mode, the currently set response values I1 and I2 can be displayed using the Up and Down keys.

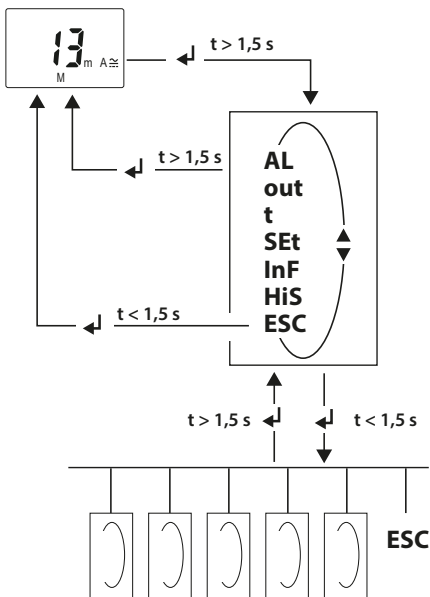
5.5 Display in menu mode

Parameter query and setting: overview

Menu item	Adjustable parameter
AL	Response values query and setting: <ul style="list-style-type: none"> - Residual current I2 ($I_{\Delta n2}$) (AL2) - Residual current I1 ($I_{\Delta n1}$) (AL1) - Hysteresis of the response values: % Hys
out	Configuration of the fault memory and the alarm relays: <ul style="list-style-type: none"> - Activate/deactivate the fault memory or assign continuous mode (on/off/con) - Select N/O operation (n.o.) or N/C operation (n.c.) individually for each K1/K2 - Specify the number of the reload cycles - Assign the alarm category I1 ($I_{\Delta n1}$) or I2 ($I_{\Delta n2}$), relay test or device error individually to K1/K2 (1, r1/ 2, r2).
t	Set delays: <ul style="list-style-type: none"> - Response delay t_{on1}/t_{on2} - Starting delay t - Delay on release t_{off} (LED, relay)
SEt	Device control parameter setting: <ul style="list-style-type: none"> - Select the appropriate parameter for response values: overcurrent mode (HI), undercurrent mode (Lo) or window mode (In). - Set the correction factor n_{RCM} (n) for additional cascaded current transformer - Enable or disable password protection, change the password. - Restore factory settings. - Service menu SyS blocked
InF	Query hard and software version

Menu item	Adjustable parameter
HiS	Query the first stored alarm value
ESC	Move to the next higher menu level (back)

Menu structure



5.6 Parameter settings

An example is given here on how to change the alarm response value I1 ($I_{\Delta n1}$). It is presumed that the option overcurrent (HI) has been selected in the SEt/I 12 menu (factory setting). Proceed as follows:

1. Press the MENU/Enter key for more than 1.5 seconds. The flashing short symbol AL appears on the display.
2. Confirm with Enter. The parameter response value $> I2$ flashes, in addition the associated overcurrent value > 30 mA appears.
3. Use the Down key to select the parameter response value I1. The parameter $> I1$ flashes, in addition the associated percentage value for prewarning 50 % of I2 appears.
4. Confirm with Enter. The current value for prewarning appears on the flashing display.
5. Use the Up or Down key to set the appropriate prewarning value. Confirm with Enter. I1 flashes.
6. You can exit the menu by:
 - pressing the Enter key for more than 1.5 seconds to reach the next higher level or
 - selecting the menu item ESC and confirming with Enter to reach the next higher level.

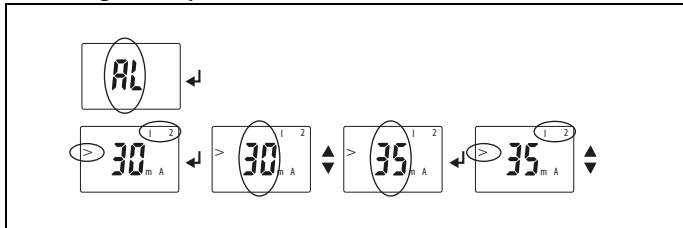


The currently active segments are flashing! In the figures below, the segments where device settings can be carried out are highlighted by an oval. The menu mode can be reached by pressing the MENU key for more than 1.5 seconds.

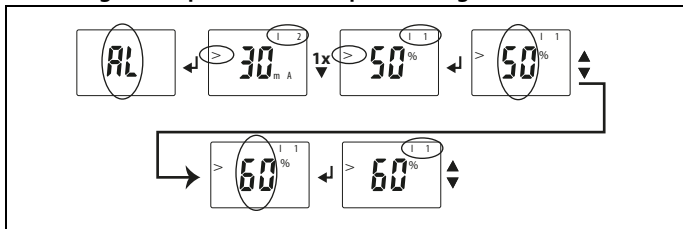
5.6.1 Response value setting for overcurrent

- Response value I2 (overcurrent $I_{\Delta n2}$)
- Response value I1 (overcurrent $I_{\Delta n1}$)
- Hysteresis (Hys) of the response values $I_{\Delta n1}$, $I_{\Delta n2}$

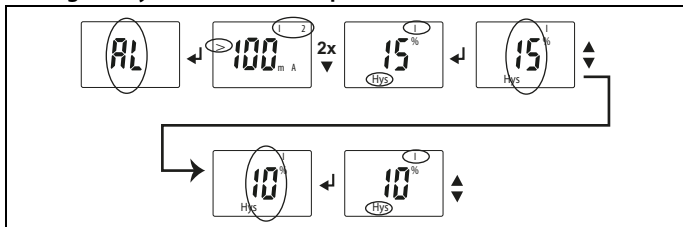
Increasing the response value I2 (alarm overcurrent)



Increasing the response value I1 (prewarning overcurrent).



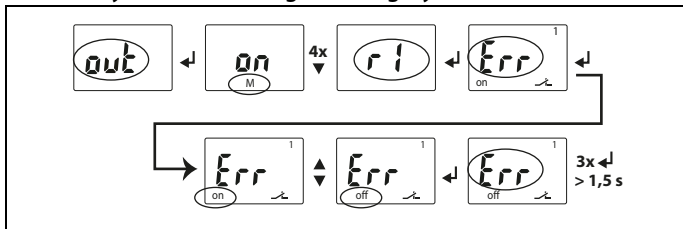
Setting the hysteresis of the response value



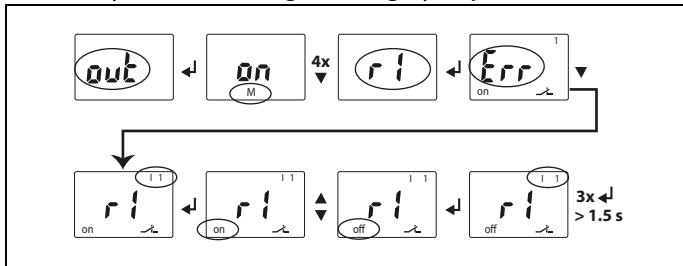
5.6.3 Assigning alarm categories to the alarm relays

Overcurrent, undercurrent and device-related errors of the residual current monitor can be assigned to the alarm relays K1 (r1, 1) and K2 (r2, 2). By default, the alarm relays K1 and K2 signal prewarning and alarm in case of overcurrent and device-related errors.

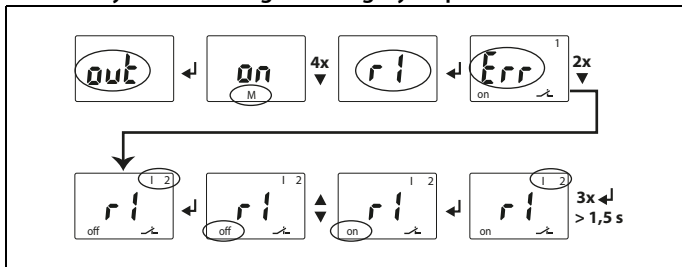
Alarm relay K1: Deactivating the category device error



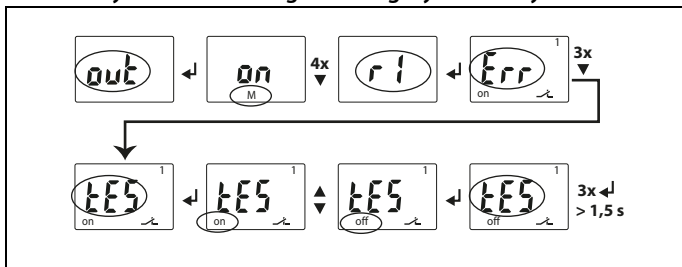
Alarm relay K1: Deactivating the category response value I1



Alarm relay K1: Activating the category response value I2



Alarm relay K1: Deactivating the category "Alarm by device test"



CAUTION

When an alarm relay (K1/K2) has been deactivated in the menu, an alarm will not be signalled by the respective changeover contact! An alarm will only be indicated by the respective alarm LED (AL1/AL2)!

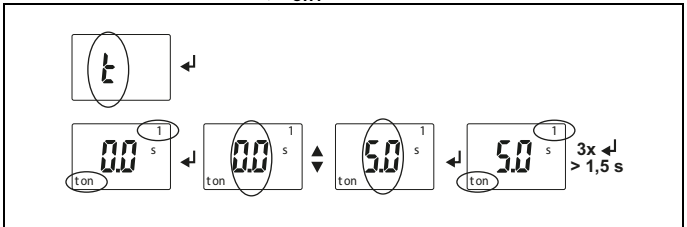
5.6.4 Set the time delays

The following delays can be set:

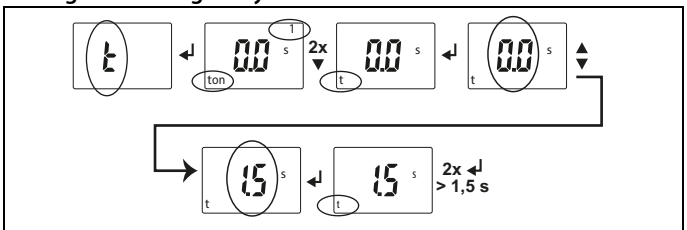
- Response delay t_{on1} (0...10 s) for K1, and t_{on2} (0...10 s) for K2
- Starting delay t (0...10 s) when the device is being started
- Common delay on release t_{off} (0...99 s) for K1, K2. The setting t_{off} is only relevant when the fault memory M is deactivated.

The operating steps for the setting of the response delay t_{on1} and the starting delay t are illustrated by way of example.

Setting the response delay t_{on1}

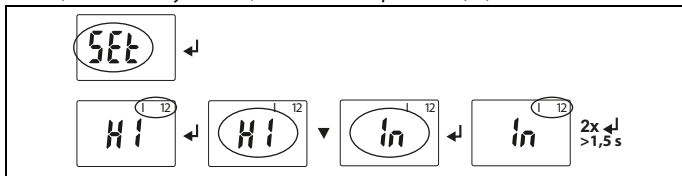


Setting the starting delay t

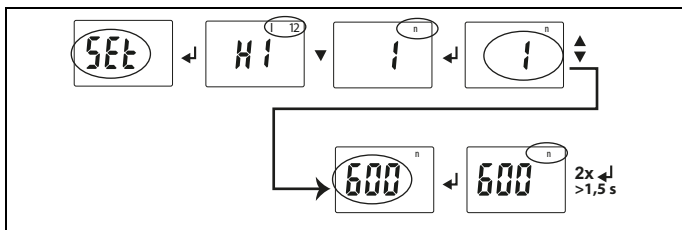


5.6.5 Changeover: overcurrent/undercurrent/window mode

The operating mode can be changed in the SEt/I 12 menu using the parameters HI, Lo and In. By default, overcurrent operation (HI) is set. .



5.6.6 Setting the correction factor for an additional cascaded current transformer

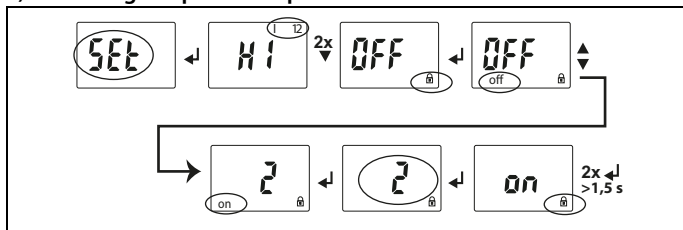


Factory setting without cascaded transformer: $n = 1$.

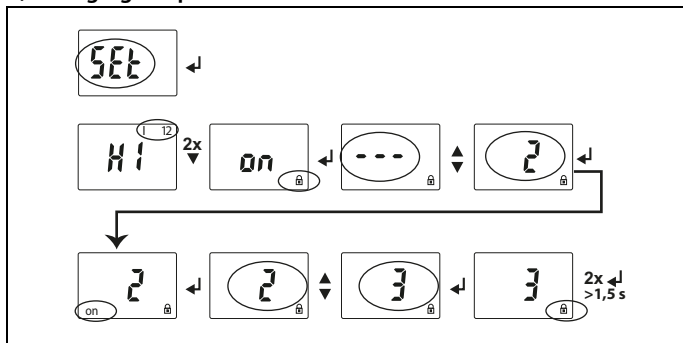
5.6.7 Factory setting and password protection

Use this menu to activate the password protection, to change the password or to deactivate the password protection. In addition, you can reset the device to its factory settings.

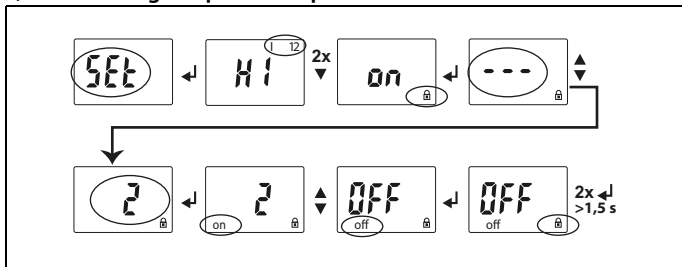
a) Activating the password protection



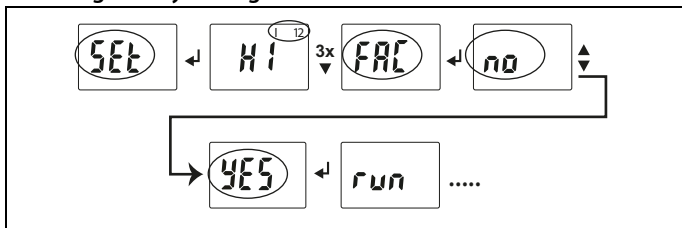
b) Changing the password



c) Deactivating the password protection

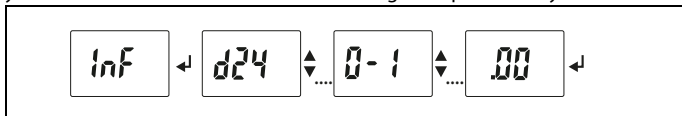


Restoring factory settings



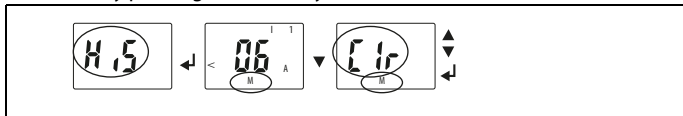
5.6.8 Device information query (Example)

This function is used to query the software (1.xx) version. After activating this function, data will be displayed as a scrolling text. Once one pass is completed you can select individual data sections using the Up/Down keys.



5.6.9 History memory query

The history memory can be selected via the menu HiS. Use the Up and Down keys to view the next display. If Clr and M is flashing, the history memory can be cleared by pressing the Enter key.



5.7 Commissioning

Prior to commissioning, check proper connection of the residual current monitor.

6. Data

6.1 Factory setting



Response value overcurrent I1 (prewarning)	15 mA (50 % of I2) 30 mA
Response value overcurrent I2 (alarm)	15 %
Hysteresis	activated (on)
Fault memory M	N/C operation
Operating mode K1/K2	(n.c.)
Starting delay	$t = 0.5 \text{ s}$
Response delay	$t_{on1} = 1 \text{ s}$ $t_{on2} = 0 \text{ s}$
Delay on release	$t_{off} = 1 \text{ s}$
Transformer correction factor n (n_{RCM})	1
Password:	0, deactivated (Off)

6.2 Error codes

Should, contrary to all expectations, a device error occur, error codes will appear on the display. Typical error codes are described below:

Error code	Meaning
E.01	Fault CT connection monitoring Appropriate action: Check CT connection for short-circuit or interruption. After eliminating the fault, the error code will be automatically deleted.
E.02	Fault CT connection monitoring during manual self test. Appropriate action: Check CT connection for short-circuit or interruption. After eliminating the fault and anew self-test or anew device start, the error code will be automatically deleted.
E...	Appropriate action when error codes > 02 occur: Carry out a reset. Reset the device to factory setting. After eliminating the fault, the error code will be automatically deleted. If the fault continues to exist, please contact the Bender Service.

6.3 Technical data

() * = factory setting

Insulation coordination acc. to IEC 60664-1/IEC 60664-3

RCM420-D-1

Rated insulation voltage	100 V
Overtoltage category/pollution degree	III/3
Rated impulse voltage	2,5 kV

RCM420-D-2

Rated insulation voltage	250 V
Overtoltage category/pollution degree	III/3
Rated impulse voltage	4 kV

Supply voltage

RCM420-D-1

Supply voltage range U_s	AC 24...60 V / DC 24...78 V
Operating range U_s	AC 16...72 V / DC 9.6...94 V
Frequency range U_s	DC, 42...460 Hz

RCM420-D-2

Supply voltage range U_s	AC/DC 100...250 V
Operating range U_s	AC/DC 70...300 V
Frequency range U_s	42...460 Hz

Protective separation (reinforced insulation) between (A1, A2) - (k/I, T/R) - (11, 12, 14) - (21, 22, 24)

Voltage test according to IEC 61010-1..... 2.21 kV

Power consumption..... ≤ 4 VA

Measuring circuit

External measuring current transformer type..... CTAC..., WR..., WS...

Burden..... 68 Ω

Rated insulation voltage (measuring current transformer) 800 V

Operating characteristic acc. to DIN EN 62020..... type A

Frequency range 42...2000 Hz

Measuring range 3 mA...16 A

Relative uncertainty 0...-20 %

Operating uncertainty 0...30 %

Response values

Rated residual operating current $I_{\Delta n1}$ (prewarning, AL1)	50 ... 100 % $\times I_{\Delta n2}$ (50 %)*
Rated residual operating current $I_{\Delta n2}$ (Alarm, AL2)	10 mA ... 10 A (30 mA)*
Hysteresis	10 ... 25 % (15%)*

Specified time

Starting delay t	0 ... 10 s (0.5 s)*
Response delay t_{on2} (Alarm)	0 ... 10 s (0 s)*
Response delay t_{on1} (prewarning)	0 ... 10 s (1 s)*
Delay on release t_{off}	0 ... 300 s (1 s)*
Operating time t_{ae} at $I_{\Delta n} = 1 \times I_{\Delta n1/2}$	≤ 180 ms
Operating time t_{ae} at $I_{\Delta n} = 5 \times I_{\Delta n1/2}$	≤ 30 ms
Response time t_{an}	$t_{an} = t_{ae} + t_{on1/2}$
Recovery time t_b	≤ 300 ms
Number of reload cycles	0 ... 100 (0)*

Cable lengths for measuring current transformers

Single wire ≥ 0.75 mm ²	0 ... 1 m
Single wire, twisted ≥ 0.75 mm ²	0 ... 10 m
Shielded cable ≥ 0.75 mm ²	0 ... 40 m
Recommended cable (shielded, shield on one side connected to terminal I of the RCM420, not connected to earth)	J-Y(St)Y min. 2 x 0.8
Connection	screw terminals

Displays, memory

Display range, measured value	3 mA ... 16 A
Error of indication	± 15 % / ± 2 digit
Measured-value memory for alarm value	data record measured values
Password	off / 0 ... 999 (OFF)*
Fault memory alarm relay	on / off (off)*

Inputs/outputs

Cable length for external test / reset button	0 ... 10 m
---	------------

Switching elements

Number of switching elements	2 x 1 changeover contact				
Operating principle	N/C operation/ N/O operation (N/O operation)*				
Electrical service life under rated operating conditions	10 000 switching operations				
Contact data acc. to IEC 60947-5-1					
Utilization category	AC-13	AC-14	DC-12	DC-12	DC-12
Rated operational voltage	230 V	230 V	24 V	110 V	220 V
Rated operational voltage UL	200 V	200 V	24 V	110 V	200 V
Rated operational current	5 A	3 A	1 A	0.2 A	0.1 A
Minimum contact load (relay manufacturer's reference)	10 mA/5 V DC				

Environment/EMC

EMC.....	DIN EN 62020
Operating temperature	-25 °C ... +55 °C
Classification of climatic conditions IEC 60721 (except condensation and formation of ice)	
Stationary use (IEC 60721-3-3)	3K5
Transportation (IEC 60721-3-2)	2K11
Storage (IEC 60721-3-1)	1K22
Classification of mechanical conditions acc. to IEC 60721:	
Stationary use (IEC 60721-3-3)	3M11
Transportation (IEC 60721-3-2)	2M4
Storage (IEC 60721-3-1)	1M12

Option "W" data different from the standard version

Classification of climatic conditions acc. to IEC 60721	
Stationary use (IEC 60721-3-3)	3K23 (condensation and formation of ice is possible)
Classification of mechanical conditions acc. to IEC 60721	
Stationary use (IEC 60721-3-3)	3M12

Connection

For UL application use 60/70 °C copper conductors only

Connection type **screw-type terminals**

Connection properties:

rigid/ flexible/ conductor sizes 0.2...4 / 0.2...2.5 mm² / AWG 24...12

Multi-conductor connection (2 conductors with the same cross section)

rigid, flexible 0.2...1.5 / 0.2...1.5 mm²

Stripping length 8...9 mm

Tightening torque 0.5...0.6 Nm

Connection type **push-wire terminals**

Connection properties:

Rigid 0.2...2.5 mm² (AWG 24...14)

Flexible without ferrules 0.75...2.5 mm² (AWG 19...14)

Flexible with ferrules 0.2...1.5 mm² (AWG 24...16)

Stripping length 10 mm

Opening force 50 N

Test opening, diameter 2.1 mm

Other

Operating mode continuous operation

Position of normal use any

Protection class, internal components (DIN EN 60529) IP 30

Degree of protection, terminals (DIN EN 60529) IP 20

Enclosure material polycarbonate

Flammability class UL94V-0

DIN rail mounting acc. to IEC 60715

Screw mounting 2 x M4 with mounting clip

Weight ≤ 150 g

()* = factory setting 0

6.4 Standards, approvals and certifications



6.5 Ordering information

	RCM420-D-1	RCM420-D-2
Response range $I_{\Delta n}$	10 mA...10 A	
Rated frequency	42...2000 Hz	
Measuring current transformers	CTAC..., WR..., WS... series	
Supply voltage U_s^*	DC 9.6 V...94 V / AC 42...460 Hz, 16...72 V	DC 70...300 V / AC 42...460 Hz, 70...300 V
Art. No.: (B 7... = push-wire terminal)	B74014001 B94014001 B74014001W B94014001W	B74014002 B94014002
*Absolute values of the voltage range		

External measuring current transformers

Shape	∅	Type	Art. No.	Manual No.
circular	∅ 20	CTAC20	B98110005	D00386
	∅ 35	CTAC35	B98110007	
	∅ 60	CTAC60	B98110017	
	∅ 120	CTAC120	B98110019	
	∅ 210	CTAC210	B98110020	
rectangular	70 x 175	WR70x175	B98080609	D00076
	115 x 305	WR115x305	B98080610	
split-core	20 x 30	WS20x30	B98080601	D00077
	50 x 80	WS50x80	B98080603	
	80 x 120	WS80x120	B98080606	

RCM420 accessories

Mounting clip for screw fixing (1 piece per device) B 9806 0008

6.6 Document revision history

Date	Document version	State/Changes
03.2020	03	<i>Editorial revision</i> Terms prewarning + main alarm Chapter 4. : Wiring diagram, Chapter 6.3: Min. contact load Chapter 6.5: Order information CTAC... <i>Added</i> Chapter 6.2: UKCA logo

INDEX

A

- Adjustable parameters, list 24
- Automatic self test 15

C

- Connection of an additional cascaded measuring current transformer 21, 22

D

- Delay on release toff 16
- Deleting the fault alarms 23
- Device features 14
- Display elements in use 22
- Display in standard mode 25

E

- ENTER key 23
- Example of parameter setting 28

F

- Factory setting 38
- factory setting 17, 19, 39
- Function 14, 18
- Functional faults 16, 19

H

- How to use this manual 7

I

- Installation 19
- Installation and connection 19, 21
- Intended use 13

K

- K1/K2: assignment alarm category 24

L

- LED Alarm 1 lights 23
- LED Alarm 2 lights 23

M

- Manual self test 15
- Menu
 - AL (response values) 24
 - HiS (history memory for the first alarm value) 25
 - InF (hard and software version) 25
 - out (output control) 24
 - Set (device control) 25
 - t (timing check) 25
- Menu structure, overview 24

O

- Operating elements, function 23

Operation and setting 22

Ordering information 44

P

Parameter query and setting, overview 26

Parameter setting

- Activating or deactivating the password protection 35
- Assigning alarm categories to the alarm relays 31
- Changeover from overcurrent operation to window operation 34
- Set response values 28
- Set the time delays 33

Password protection 17

R

Reset button 23

Residual current monitoring in window discriminator mode 17, 18

Response delay t_{on} 16

S

Second external measuring current transformer 18

Select the appropriate parameter for response values

- 26

Service 8

Set response values

- Hysteresis 29
- Overcurrent ($>I$) 28

Setting the number of reload cycles 30

Starting delay t 16

Starting the menu mode 23

Support 8

T

Technical data 40

Test button 23

Training courses 9

W

Wiring diagram 20

Work activities on electrical installations
12, 13
workshops 9



Bender GmbH & Co. KG

PO Box 1161 • 35301 Gruenberg • Germany
Londorfer Strasse 65 • 35305 Gruenberg • Germany
Tel.: +49 6401 807-0 • Fax: +49 6401 807-259
E-Mail: info@bender.de • www.bender.de

Photos: Bender archives



BENDER Group